

COMBiLiFT

LIFTING INNOVATION

COMBi-RT

The Combi-RT forklift is designed for use on rough terrain, catering to your poultry and agri needs.



COMBi-RT

combilift.com

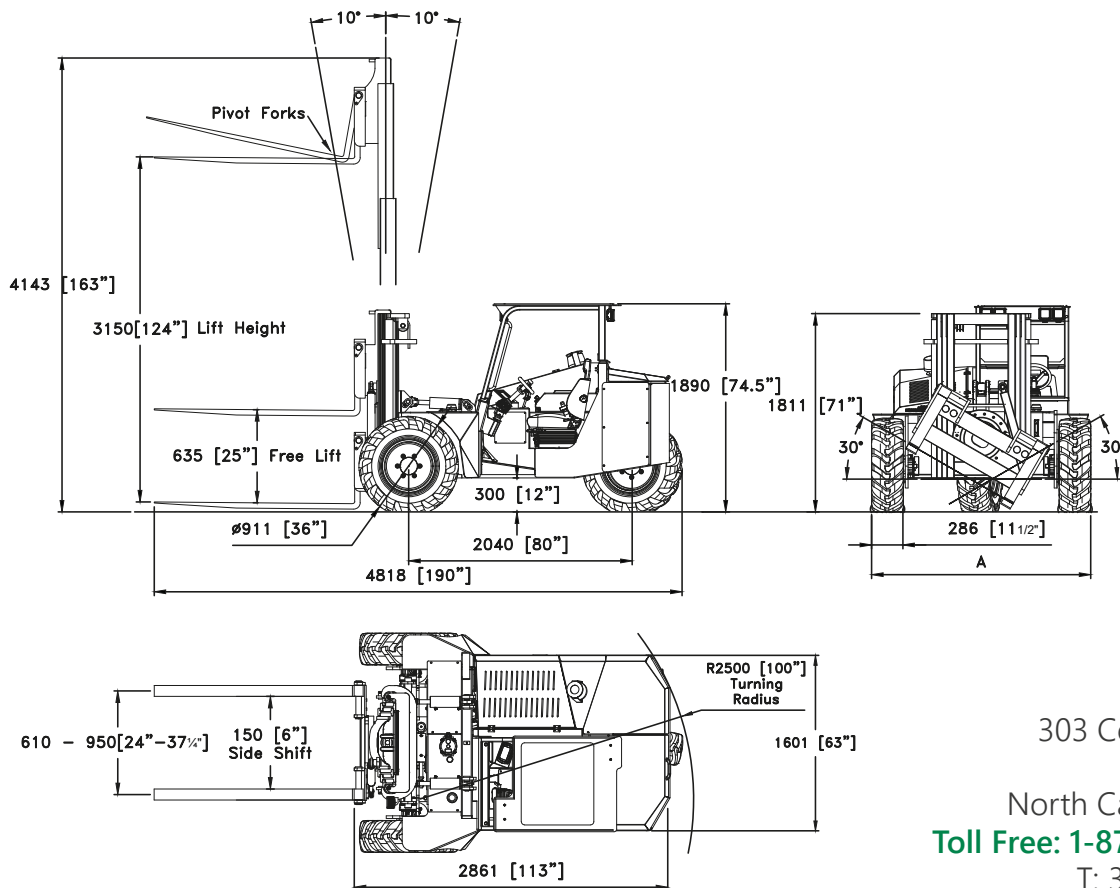
| DESCRIPTION | Kubota 44 kW | Kubota 74kW / 99 HP | |
|-----------------------------------|-------------------|-------------------------|------------------|
| Capacity | 1500 kg @ 1200 mm | 1600 kg @ 1200 mm | 3500 lbs @ 48" |
| Unladen Weight | 4450 kg | 4650 kg | 10,250 lbs |
| Ground Speed | 14 km/h | 18 km/h | 11 mph |
| Gradeability | | 40% | |
| Kubota Water Cooled Diesel Engine | 44 kW | 74 kW | 99 HP |
| Overall Width | 1800 mm | 2000 mm | 78¾" |
| Electrics | | 12 Volt | |
| Triplex Mast Lift Height | | 3150mm | 124" |
| Pivot Fork Section | | 50 mm x 100 mm x 1830mm | 2" x 4" x 72" |
| Fork Rotation | - | 30° each way | |
| Pneumatic Tractor Grip Tires | | ø 910 mm width 290 mm | ø 36" width 11½" |
| Fuel Tank Capacity | | 85 litres | 22 Gallons |
| Hydraulic Tank Capacity | | 75 litres | 20 Gallons |

Features:

- 3 wheel manoeuvrability
- Hydrostatic all wheel drive
- Large tractor grip tires
- Deep suspension seat
- Back up alarm
- 150 mm / 6" mast side shift
- Pivot Forks

Benefits:

- Small turning radius
- Reduced maintenance costs
- No mechanical brakes to adjust or replace
- Large ground clearance
- Diff-lock
- Offset driving position gives excellent visibility
- Ergonomically designed cabin for operator comfort



303 Concord Street
Greensboro
North Carolina 27406
Toll Free: 1-877 COMBI 56
T: 336-378-8884
info@combilift.com

Combilift has a policy of continuous product development and reserves the right to alter specifications without prior notice. Specifications and/or dimensions may vary from those illustrated in some countries.

COMBI-RT

combilift.com

