

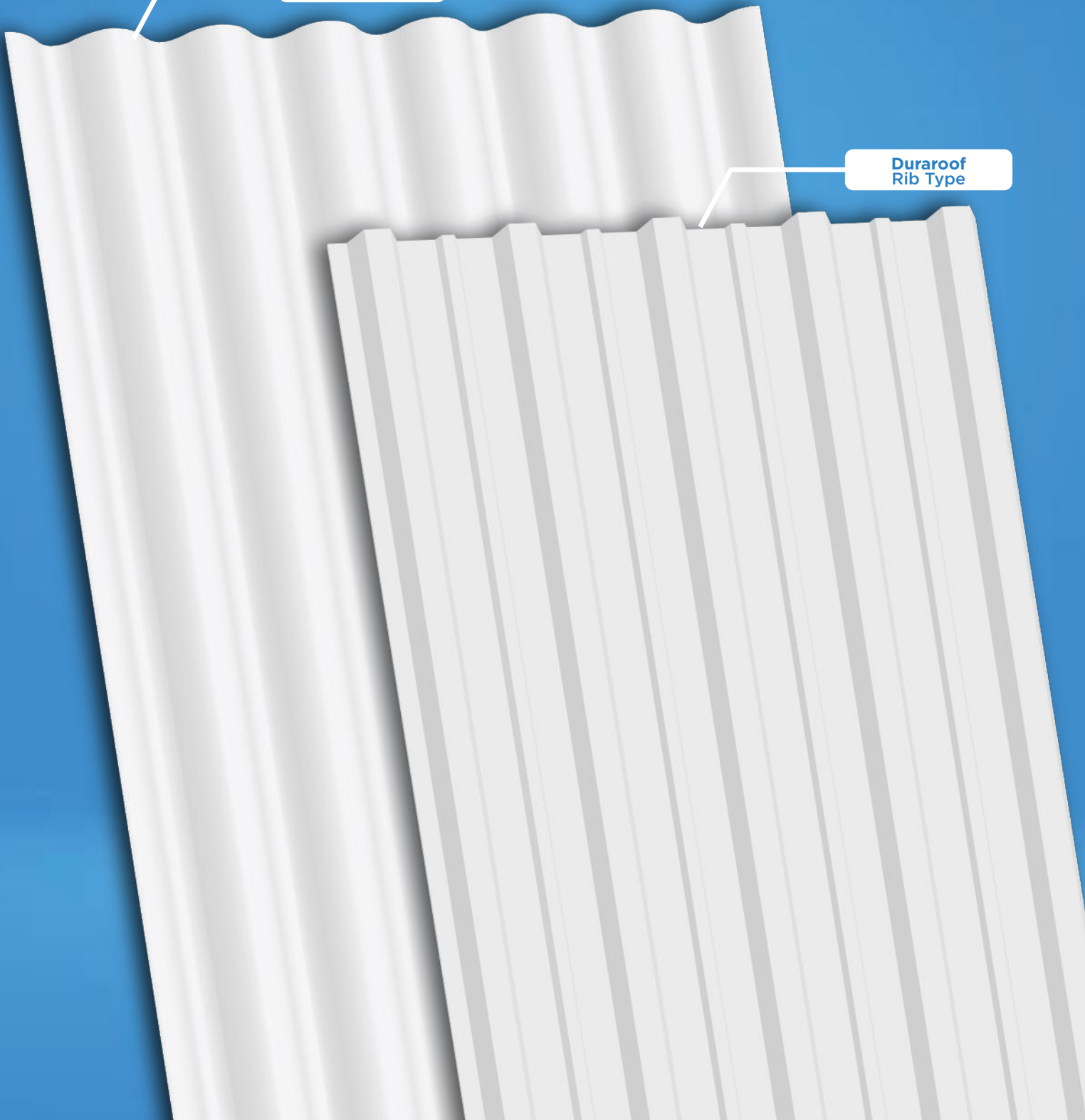
DURAROOF[®]

uPVC ROOFING & SIDING

The **Cool and Non-Corrosive** Shield
Against Rain and Sunlight.

DurarooF
Corrugated Type

DurarooF
Rib Type

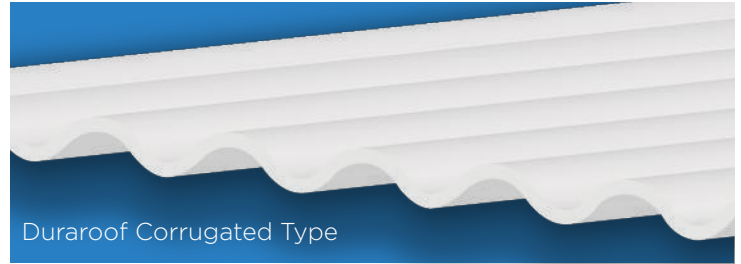


Durarroof, a product proudly manufactured in the Philippines, boasts exceptional rust and corrosion resistance, making it the perfect choice for various weather conditions, especially in tropical and highly corrosive coastal regions. Created with state-of-the-art equipment and advanced roofing technology, Durarroof also incorporates UV-protection for added durability and longevity. Not only that, Durarroof also comes with insulation against heat and sound insulation.

DURAROOF PROFILE

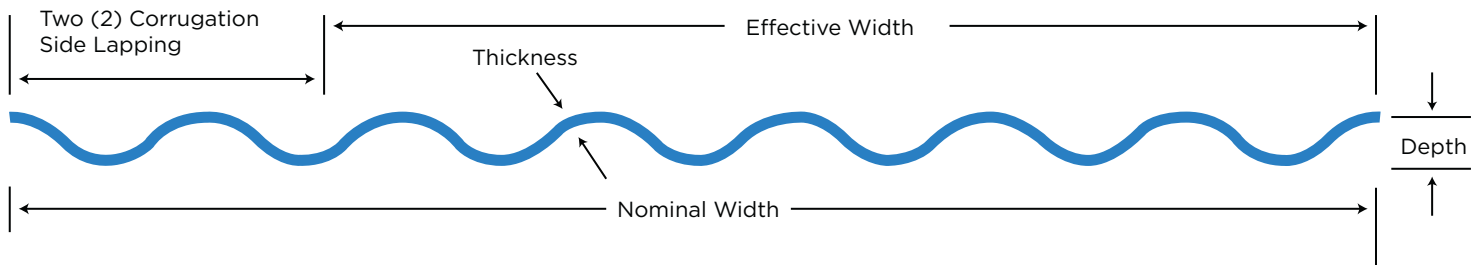
Durarroof Corrugated Type

The uPVC Durarroof Corrugated is manufactured primarily using polyvinyl chloride resin, resulting in a product that possesses a multitude of exceptional qualities. This technologically advanced and industry-compliant roofing solution is not only visually appealing but also environmentally friendly.



uPVC Durarroof Corrugated Type stands out due to its impressive features, including fire retardancy, corrosion resistance, and its ability to withstand various weather conditions. It maintains its vibrant color over time, thanks to its exceptional resistance to fading. Furthermore, it is highly durable, ensuring longevity and peace of mind for the users.

uPVC Durarroof Corrugated Type offers resistance to acid, alkali, ensuring roof integrity in harsh environments. It's an affordable alternative to traditional G.I roofing, offering quality without compromising cost. Available in various sizes and shapes, Durarroof is suitable for various roofing applications and offers customized solutions for customer satisfaction.



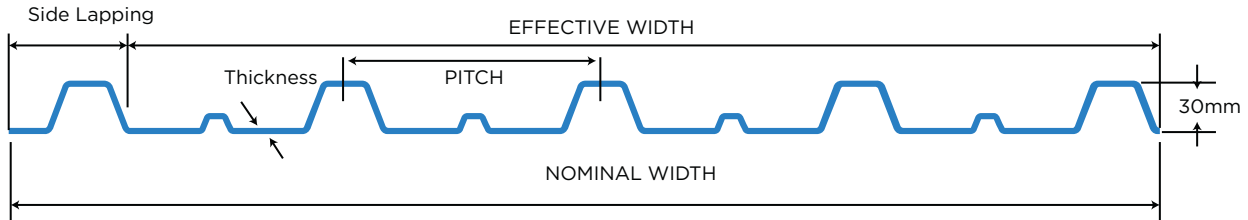
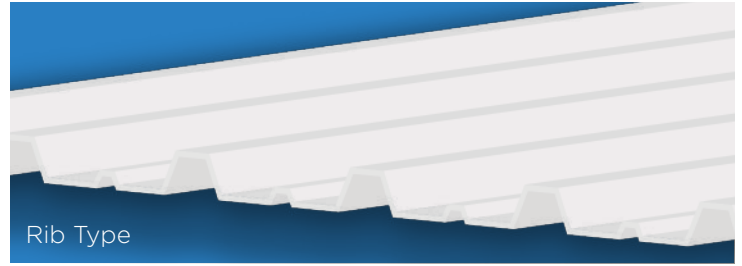
Durarroof 988	
Profile	Corrugated Type
Thickness	1.5mm, 2.0mm, 2.5mm
Nominal Width (mm)	988mm
Pitch	76mm
Side Lapping (mm)	152mm
Effective Width (mm)	836mm
Depth	17mm
Length	Cut to size long span Commercial Size (8' - 10' - 12' - 14' - 16') or long span up to maximum allowable transportable length
Colors	 Beige White Skylight

**We can accommodate long span as well. Contact Sales Account Officer for more details.*

Images for illustration only. Actual products and specifications may vary without prior notice. For inquiries, contact our Technical Department.

Rib Type Durarroof

Rib type uPVC roofing sheets are a form of plastic roofing material created to offer long-lasting and waterproof protection for different types of buildings. These sheets are composed of unplasticized polyvinyl chloride (uPVC) and feature a ribbed pattern on one side, providing enhanced strength and stability. The ribs also aid in diverting water away from the roof and the structure it covers. These roofing sheets come in various sizes, making them suitable for both residential and commercial purposes.



Profile	Rib Type
Thickness	1.5mm, 2.0mm, 2.5mm
Nominal Width (mm)	820mm
Pitch	185mm
Side Lapping (mm)	Single Rib
Effective Width (mm)	740mm
Length	Cut to size long span Commercial Size (8' - 10' - 12' - 14' - 16') or long span up to maximum allowable transportable length
Colors	 Beige White Skylight

DURAROOF SPECIFICATION

(For Corrugated and Rib types of profile)

CHEMICAL RESISTANCE OF DURAROOF AT 24 HRS. IMMERSION		
CHEMICAL	40° C	60° C
35% HYDROCHLORIC ACID	●	■
60% SULFURIC ACID	●	●
70% NITRIC ACID	●	●
CONCENTRATED ACETIC ACID	●	●
30% SODIUM HYDROXIDE	●	●
LEGEND: ■ SLIGHTY AFFECTED ● UNAFFECTED		

DURAROOF TEKSCREW CAPS

(For Corrugated and Rib types of profile)

Tekscrew Caps are roofing fittings used for securing and sealing fasteners on PVC roofs. They provide a neat and tidy finish while offering weather protection and preventing corrosion.

They are perfect for both small and large projects. TekscREW Caps are available for both the Rib and Corrugated profiles of Durarroof.



Images for illustration only. Actual products and specifications may vary without prior notice. For inquiries, contact our Technical Department.

DURAROOF
TEST METHOD

Determination of material properties in this specification shall be in accordance with the ASTM, JIS & Internal Procedure Methods of Tests prescribed in table below.

DURAROOF
HIGHEST STANDARD OF QUALITY IN uPVC ROOFING

Material Testing Procedures	Test Standard
Deflection or Bending Test	JIS A5702
Impact Test	JIS A5702
Acetone Test	Internal Procedure Only
Breaking Strength	ASTM D571
Tear Resistance	ASTM D1004
Static Puncture Test	ASTM D5602
Heat Aging Process	ASTM D3045
Accelerated Weathering	ASTM G154
Water Absorption	ASTM D570
Dynamic Puncture Test	ASTM D5635

DURAROOF
DEFLECTION OR BENDING TEST (BASED ON JIS A5702)

W. Thickness	Weight (kg)	Deflection (mm), max.
1.5 + 0.20	40 kg.	40
1.8 + 0.20	40 kg.	35
2.0 + 0.30	40 kg.	30
2.5 + 0.35	40 kg.	25

DURAROOF
COMPARATIVE TEMPERATURE TEST RESULTS

DURAROOF uPVC ROOFING vs GI Steel Roofing

DURAROOF uPVC ROOFING TEMPERATURE	GI STEEL ROOFING TEMPERATURE	TEMPERATURE DIFFERENCE
34°C	43°C	9°C



DURAROOF uPVC ROOFING



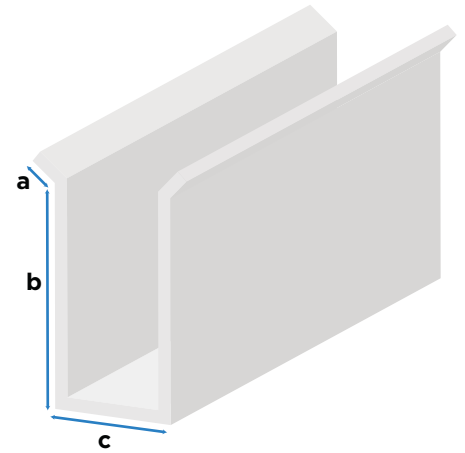
GI STEEL ROOFING

The image shows that Durarroof uPVC Roofing has a less thermal conductivity than GI roofing which makes a cooler environment inside your warehouse, poultry farm and other properties.

**DURAROOF
ACCESSORIES**

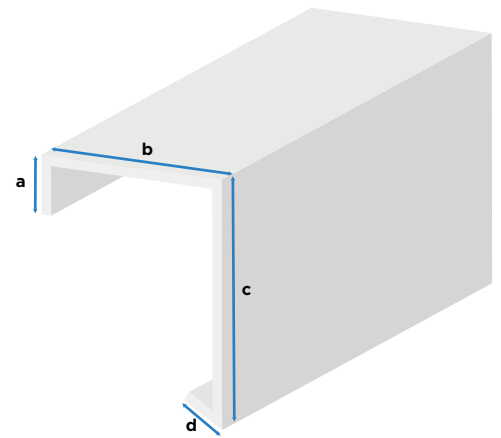
BENDED INSIDE GUTTER

SIZE	16" x 8'	24" x 8'	32" x 8'
	1/2" (a)	1" (a)	1 1/2" (a)
	6" (b)	9" (b)	11 1/2" (b)
	3" (c)	4" (c)	6" (c)
Thickness	1.5mm, 2.0mm, 2.5mm	1.5mm, 2.0mm, 2.5mm	1.5mm, 2.0mm, 2.5mm



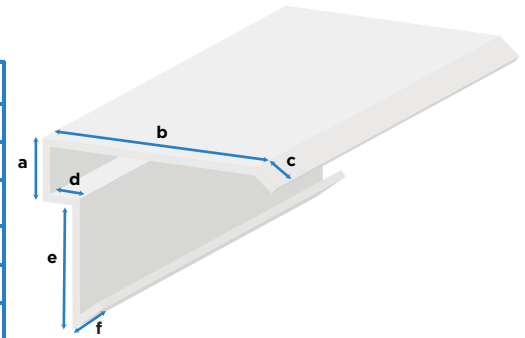
BENDED CAPPING

SIZE	16" x 8'	24" x 8'	32" x 8'
	2" (a)	3" (a)	4" (a)
	5" (b)	7" (b)	10" (b)
	8 1/2" (c)	13" (c)	16 1/2" (c)
	1/2" (d)	1" (d)	1 1/2" (d)
Thickness	1.5mm, 2.0mm, 2.5mm	1.5mm, 2.0mm, 2.5mm	1.5mm, 2.0mm, 2.5mm



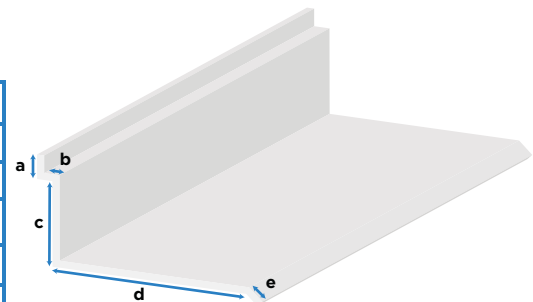
BENDED END FLASHING

SIZE	16" x 8'	24" x 8'	32" x 8'
	1 1/2" (a)	2" (a)	3" (a)
	8 1/2" (b)	13" (b)	16 1/2" (b)
	1/2" (c)	1" (c)	1 1/2" (c)
	1" (d)	1" (d)	1 1/2" (d)
	4" (e)	6" (e)	8" (e)
	1/2" (f)	1" (f)	1 1/2" (f)
Thickness	1.5mm, 2.0mm, 2.5mm	1.5mm, 2.0mm, 2.5mm	1.5mm, 2.0mm, 2.5mm



BENDED END WALL FLASHING

SIZE	16" x 8'	24" x 8'	32" x 8'
	1/2" (a)	1" (a)	1 1/2" (a)
	1/2" (b)	1" (b)	1 1/2" (b)
	4" (c)	6" (c)	8 1/2" (c)
	10 1/2" (d)	15" (d)	19" (d)
	1/2" (e)	1" (e)	1 1/2" (e)
Thickness	1.5mm, 2.0mm, 2.5mm	1.5mm, 2.0mm, 2.5mm	1.5mm, 2.0mm, 2.5mm



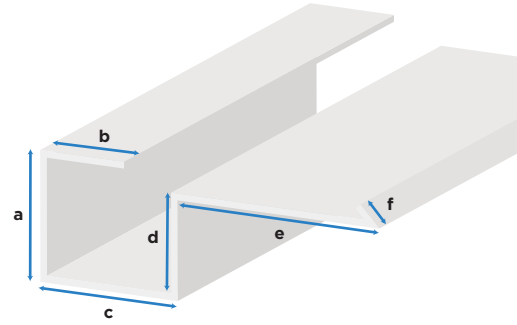
Made to Order: 48" perimeter

Images for illustration only. Actual products and specifications may vary without prior notice. For inquiries, contact our Technical Department.

**DURAROOF
ACCESSORIES**

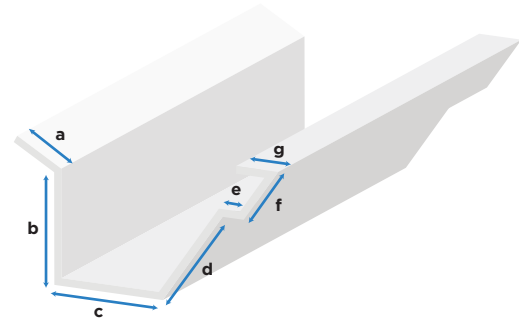
BENDED MINI GUTTER

SIZE	16" x 8'	24" x 8'	32" x 8'
	2 1/2" (a)	4" (a)	5" (a)
	2" (b)	3" (b)	4" (b)
	3 1/2" (c)	5" (c)	7" (c)
	2" (d)	3" (d)	4" (d)
	5 1/2" (e)	8" (e)	10 1/2" (e)
	1/2" (f)	1" (f)	1 1/2" (f)
Thickness	1.5mm, 2.0mm, 2.5mm	1.5mm, 2.0mm, 2.5mm	1.5mm, 2.0mm, 2.5mm



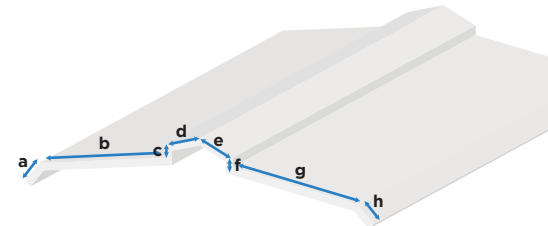
BENDED OUTSIDE GUTTER

SIZE	16" x 8'	24" x 8'	32" x 8'
	2" (a)	3" (a)	4" (a)
	4" (b)	6" (b)	8" (b)
	3 1/2" (c)	5" (c)	6 1/2" (c)
	4" (d)	6" (d)	8" (d)
	1/2" (e)	1" (e)	1 1/2" (e)
	1 1/2" (f)	2" (f)	2 1/2" (f)
1/2" (g)	1" (g)	1 1/2" (g)	
Thickness	1.5mm, 2.0mm, 2.5mm	1.5mm, 2.0mm, 2.5mm	1.5mm, 2.0mm, 2.5mm



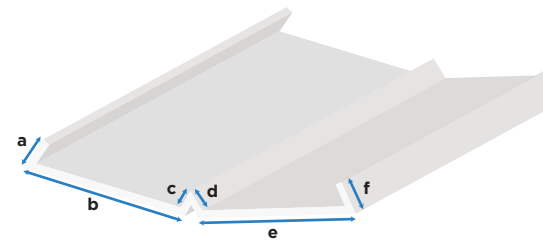
BENDED RIDGEROLL

SIZE	16" x 8'	24" x 8'	32" x 8'
	1/2" (a)	1" (a)	1 1/2" (a)
	5 1/2" (b)	8 1/2" (b)	11" (b)
	1/2" (c)	1/2" (c)	1/2" (c)
	1 1/2" (d)	2" (d)	3" (d)
	1 1/2" (e)	2" (e)	3" (e)
	1/2" (f)	1/2" (f)	1/2" (f)
	5 1/2" (g)	8 1/2" (g)	11" (g)
1/2" (h)	1" (h)	1 1/2" (h)	
Thickness	1.5mm, 2.0mm, 2.5mm	1.5mm, 2.0mm, 2.5mm	1.5mm, 2.0mm, 2.5mm



BENDED VALLEY GUTTER

SIZE	16" x 8'	24" x 8'	32" x 8'
	1/2" (a)	1" (a)	1 1/2" (a)
	6 1/2" (b)	10" (b)	13" (b)
	1" (c)	1" (c)	1 1/2" (c)
	1" (d)	1" (d)	1 1/2" (d)
	6 1/2" (e)	10" (e)	13" (e)
1/2" (f)	1" (f)	1 1/2" (f)	
Thickness	1.5mm, 2.0mm, 2.5mm	1.5mm, 2.0mm, 2.5mm	1.5mm, 2.0mm, 2.5mm



Made to Order: 48" perimeter

Images for illustration only. Actual products and specifications may vary without prior notice. For inquiries, contact our Technical Department.

ADVANTAGES

Corrosion and Rust Resistant

Durarroof does not rust or corrode since it is comprised of PVC, making it ideal for roofing in environments with high salt content, such as ocean etc.



Noise Reduction Capacity

Durarroof produces less noise than GI type roofs during heavy rain because it is made of uPVC.



Durable and Weather Resistant

Durarroof is a tough, resilient, and long-lasting roofing material. It has a UV stabilizer that can withstand harmful sun rays while in place to prevent chalking, brittleness, and cracking, and it can withstand heavy loads without damage.



Ease of Installation

Durarroof is significantly lighter than traditional roofing and siding materials. Because of its weight, installation is more quickly,



Insulating Capacity

Durarroof has a lower thermal conductivity than pre-painted metal roofing/siding sheets, which may result in a cooler atmosphere. It will save time and expense in installing heat-insulating materials, and it will substantially reduce electric power usage.



Ease of Handling

Durarroof's light granule materials reduce dead loads on roofing frame systems, lowering overall foundation and structural costs.



Fire Retardant

Durarroof has self-extinguished. It does not burn and prevents combustion. It will not drip or crack.



Aesthetic

When compared to GI, which needs paint to be aesthetically, Durarroof comes in pre-painted colors and does not require it.



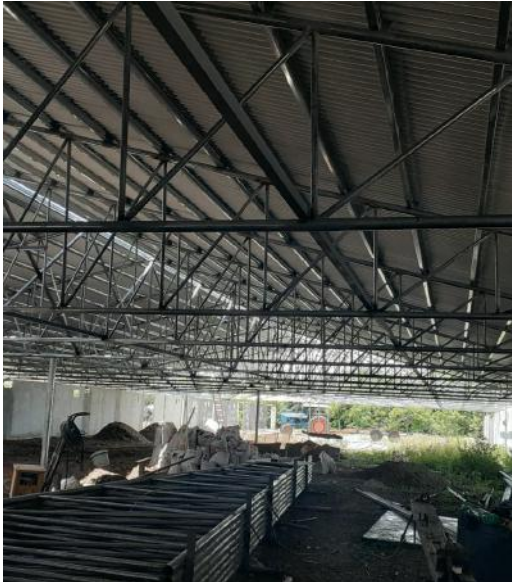
Durarroof does not brittle under intense sun heat as it is made to withstand the sun and *made to last for years.*

Durarooof proves its versatility in a variety of applications:

Warehouse and Factory Roofing:

Durarooof's robust construction ensures long-lasting protection, making it an ideal choice for industrial environments.

01



Wall Cladding and Wall Siding:

Enhance the visual appeal of buildings with Durarooof's versatility in wall cladding and covering.

02



Poultry Farms, Stadium, Sport Center, etc.

Durarooof finds its place in diverse building types as it seamlessly integrates with the architectural design, providing both aesthetic appeal and functional performance.

03



Canopy, Carport, Terrace, etc.:

Durarooof's versatility makes it suitable for various outdoor structures, combining durability and visual appeal.

04



PROJECT REFERENCE



TAGUM CITY



FERDINAND E. MARCOS MEMORIAL STADIUM



BATARAZA, PALAWAN

PROJECT REFERENCE



Nueva Ecija



QUEZON CITY



BUSUANGA, PALAWAN



DURAROOF

INSTALLATION GUIDE

1. Install gutter-bended sheets first, ensuring proper alignment and slope.
2. Start at the outside edge (eaves). Ensure the first panel is square and properly aligned.
3. Arrange panels loosely, check alignment, and mark for fasteners and cutting.
4. Mark straight lines and cut excess material using an angle grinder with light, steady pressure.
5. Use Atlanta-recommended fasteners. Drill at low speed with light pressure. Maintain a maximum spacing of 200 mm along horizontal purlins.
6. Maintain proper lapping:
 - Rib-type: minimum single rib (80mm)
 - Corrugated: minimum 152 mm
7. Continue installation across the roof until fully covered.
8. Attach all remaining bended sheets (ridge caps and flashings) to seal the system.
9. Check all joints and fasteners, and apply sealant where necessary to ensure a watertight finish.
10. Walk only along purlins or within 300mm of them. Always wear proper PPE.

DURAROOF

STORAGE AND HANDLING

The following are the recommended proper handling & storage for DURAROOF,

HANDLING:

1. Upon arrival at the location, visually check and physically count the supplies to make sure they are undamaged. Before storing or installing the products, get in touch with Atlanta Industries, Inc. if there are any differences.



2. To avoid the materials' square edges and surfaces fracturing or being crushed, do not slide them onto the ground.



3. Avoid dragging sheets across one another or over uneven surfaces, since this could degrade the product's surfaces. The sheets should be "peeled and lifted" off the bundle as opposed to sliding.



4. Always handle roofing materials with caution. To prevent buckling, sheets longer than 3.0m should be handled by two people and carried on edge.

STORAGE:

1. Ensure Durarroof do not come into contact with dirt, cement, concrete, lime, mortar, fertilizer, chemicals and other substances which may be detrimental to the product.



2. Before installation, Durarroof should be stored in a cool dry place. A protective cover should be provided to avoid exposure to weather and extreme sunlight.



3. Stored Durarroof whether at ground level or on the roof is susceptible to wind damage, and care should be taken to ensure products are secure. It is advisable to store the Durarroof so that it is clear of possible vehicle damage.

***Durarroof, like other roofing materials, requires a proper understanding of storage, handling, and application to result in a properly constructed roof system.*

DURAROOF[®]

uPVC ROOFING & SIDING



35th Flr. Atlanta Center Bldg., No. 31 Annapolis St. Greenhills, San Juan City
Tel. No.: 8723-0781 to 88
Website: www.atlanta.ph
Email Sales: marketing@atlanta.ph
Like Us on Facebook: [atlantaindustriesincorporated](https://www.facebook.com/atlantaindustriesincorporated)
Subscribe to Our Youtube Channel: Atlanta Industries Inc.

SCAN & VISIT OUR WEBSITE

