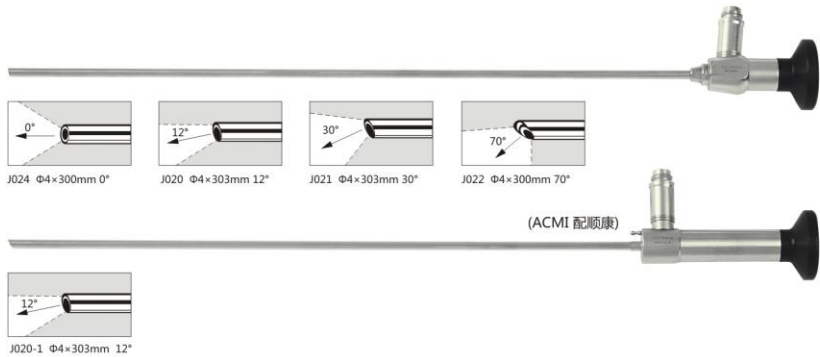
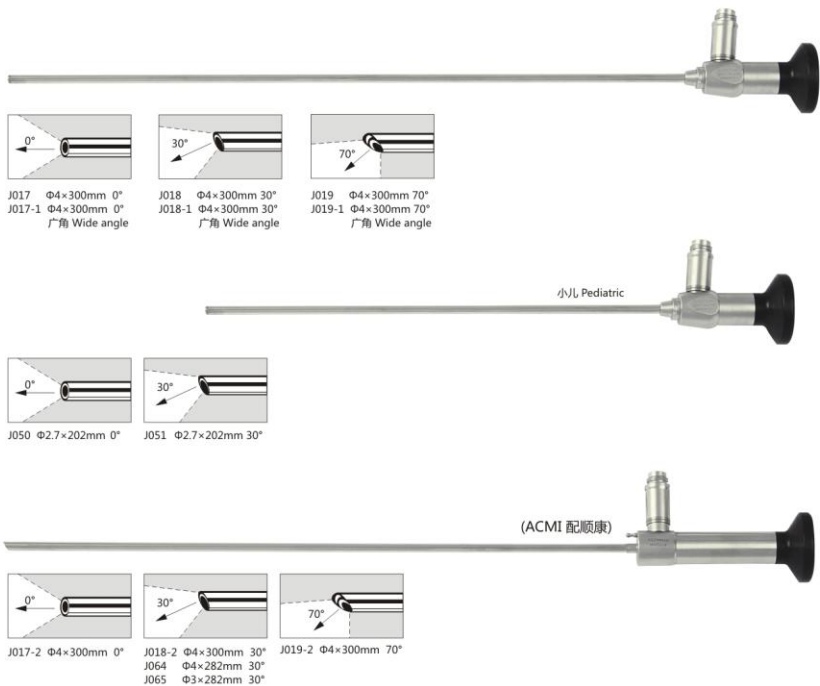


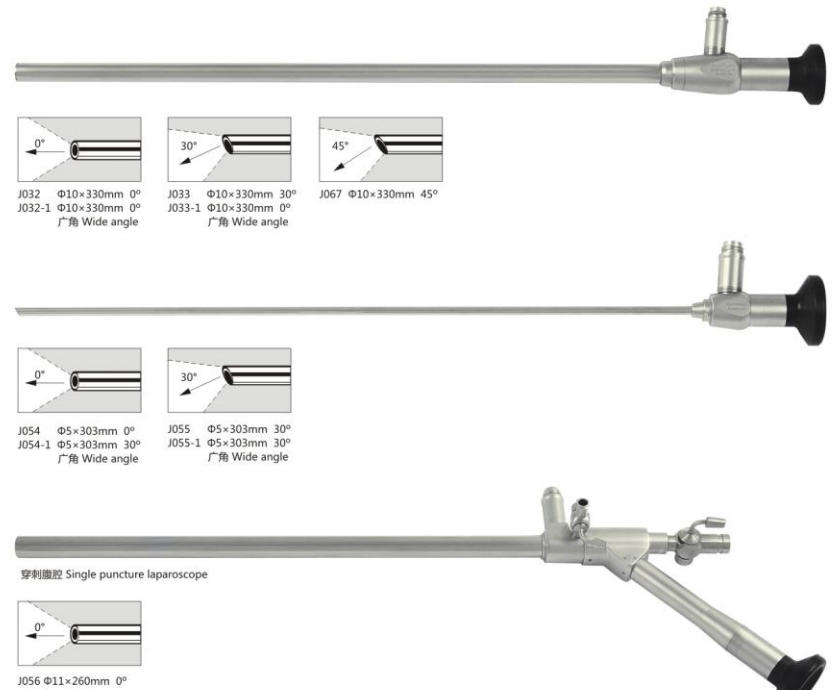
电切镜/直肠镜/膀胱碎石镜 Resectoscope / Rectoscope / Lithotriptoscope



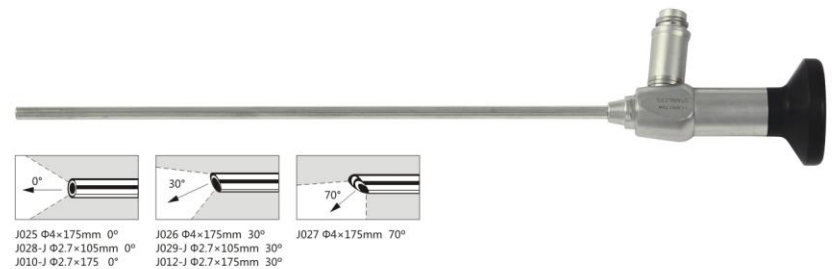
NPJ膀胱内窥镜 Cystoscope



FQJ腹腔内窥镜 Laparoscope



GJJ-关节镜 Arthroscope



内窥镜

GQJ宫腔镜 Hysteroscope



J023  $\Phi 6.4 \times 180\text{mm}$  22°



J060  $\Phi 6.4 \times 180\text{mm}$  0°  
J066  $\Phi 5 \times 210\text{mm}$  0°



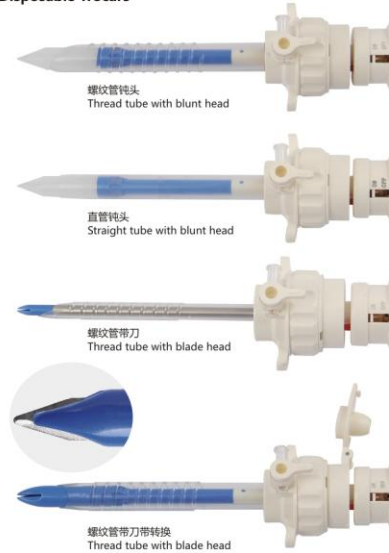
J066-1  $\Phi 5 \times 210\text{mm}$  0° 三通道  
Three channels



J062  $\Phi 2.9 \times 300\text{mm}$  30°

一次性手术器械 Disposable Surgical Instruments

一次性使用穿刺器  
Disposable Trocars



型号 Model	规格 Specifications
YC-IV-1A	$\Phi 12$ 直管带刀 Straight tube with blade head
YC-IV-1A-1	$\Phi 12$ 直管带刀带转换 Straight tube with blade head, with reducer
YC-IV-2A	$\Phi 12$ 螺纹管带刀 Thread tube with blade head
YC-IV-2A-1	$\Phi 12$ 螺纹管带刀带转换 Thread tube with blade head, with reducer
YC-IV-1B	$\Phi 12$ 直管钝头 Straight tube with blunt head
YC-IV-1B-1	$\Phi 12$ 直管钝头带转换 Straight tube with blunt head, with reducer
YC-IV-2B	$\Phi 12$ 螺纹管钝头 Thread tube with blunt head
YC-IV-2B-1	$\Phi 12$ 螺纹管钝头带转换 Thread tube with blunt head, with reducer
YC-III-1A	$\Phi 11$ 直管带刀 Straight tube with blade head
YC-III-1A-1	$\Phi 11$ 直管带刀带转换 Straight tube with blade head, with reducer
YC-III-2A	$\Phi 11$ 螺纹管带刀 Thread tube with blade head
YC-III-2A-1	$\Phi 11$ 螺纹管带刀带转换 Thread tube with blade head, with reducer
YC-III-1B	$\Phi 11$ 直管钝头 Straight tube with blunt head
YC-III-1B-1	$\Phi 11$ 直管钝头带转换 Straight tube with blunt head, with reducer
YC-III-2B	$\Phi 11$ 螺纹管钝头 Thread tube with blunt head
YC-III-2B-1	$\Phi 11$ 螺纹管钝头带转换 Thread tube with blunt head, with reducer
YC-II-1A	$\Phi 10$ 直管带刀 Straight tube with blade head
YC-II-1A-1	$\Phi 10$ 直管带刀带转换 Straight tube with blade head, with reducer
YC-II-2A	$\Phi 10$ 螺纹管带刀 Thread tube with blade head
YC-II-2A-1	$\Phi 10$ 螺纹管带刀带转换 Thread tube with blade head, with reducer
YC-II-1B	$\Phi 10$ 直管钝头 Straight tube with blunt head
YC-II-1B-1	$\Phi 10$ 直管钝头带转换 Straight tube with blunt head, with reducer
YC-II-2B	$\Phi 10$ 螺纹管钝头 Thread tube with blunt head
YC-II-2B-1	$\Phi 10$ 螺纹管钝头带转换 Thread tube with blunt head, with reducer
YC-I-1A	$\Phi 5$ 直管带刀 Straight tube with blade head
YC-I-2A	$\Phi 5$ 螺纹管带刀 Thread tube with blade head
YC-I-1B	$\Phi 5$ 直管钝头 Straight tube with blunt head
YC-I-2B	$\Phi 5$ 螺纹管钝头 Thread tube with blunt head

一次性使用活体取样钳  
Disposable biopsy forceps



型号 Model	规格 Specifications
YHQ-I-1A	$\Phi 2.2 \times 1600$ 无针 No needle
YHQ-I-1B	$\Phi 2.2 \times 1600$ 无针包裹 No needle, with plastic cover
YHQ-I-2A	$\Phi 2.2 \times 1600$ 有针 With needle
YHQ-I-2B	$\Phi 2.2 \times 1600$ 有针包裹 With needle & plastic cover
YHQ-II-1A	$\Phi 2.2 \times 1800$ 无针 No needle
YHQ-II-1B	$\Phi 2.2 \times 1800$ 无针包裹 No needle, with plastic cover
YHQ-II-2A	$\Phi 2.2 \times 1800$ 有针 With needle
YHQ-II-2B	$\Phi 2.2 \times 1800$ 有针包裹 With needle & plastic cover
YHQ-III-1A	$\Phi 2.2 \times 2000$ 无针 No needle
YHQ-III-1B	$\Phi 2.2 \times 2000$ 无针包裹 No needle, with plastic cover
YHQ-III-2A	$\Phi 2.2 \times 2000$ 有针 With needle
YHQ-III-2B	$\Phi 2.2 \times 2000$ 有针包裹 With needle & plastic cover
YHQ-IV-1A	$\Phi 2.2 \times 2300$ 无针 No needle
YHQ-IV-1B	$\Phi 2.2 \times 2300$ 无针包裹 No needle, with plastic cover
YHQ-IV-2A	$\Phi 2.2 \times 2300$ 有针 With needle
YHQ-IV-2B	$\Phi 2.2 \times 2300$ 有针包裹 With needle & plastic cover
YHQ-V-1A	$\Phi 1.8 \times 900$ 无针 No needle
YHQ-V-1B	$\Phi 1.8 \times 900$ 无针包裹 No needle, with plastic cover
YHQ-V-2A	$\Phi 1.8 \times 900$ 有针 With needle
YHQ-V-2B	$\Phi 1.8 \times 900$ 有针包裹 With needle & plastic cover



腹水穿刺针 Trocar

十字密封 Silicon sealing



A200 Φ3×60mm  
A202 Φ5×95mm  
A203 Φ10×95mm  
A202-1 Φ5×110mm  
A203-1 Φ10×110mm

带保护  
A202.1 Φ5×95mm  
A203.1 Φ10×95mm  
A202-1.1 Φ5×110mm  
A203-1.1 Φ10×110mm

带保护带螺纹管  
A202.2 Φ5×95mm  
A203.2 Φ10×95mm  
A202-2.1 Φ5×110mm  
A203-2.1 Φ10×110mm

螺纹管  
A202.3 Φ5×95mm  
A203.3 Φ10×95mm  
A202.3-1 Φ5×110mm  
A203.3-1 Φ10×110mm

斜口  
A202.4 Φ5×95mm  
A203.4 Φ10×95mm  
A202.4-1 Φ5×110mm  
A203.4-1 Φ10×110mm

磁性 Megnetic



平口  
A200-A Φ3×60mm  
A202-A Φ5×95mm  
A203-A Φ10×95mm  
A202-A-1 Φ5×110mm  
A203-A-1 Φ10×110mm

带保护  
A202-A.1 Φ5×95mm  
A203-A.1 Φ10×95mm  
A202-A-1.1 Φ5×110mm  
A203-A-1.1 Φ10×110mm

带保护带螺纹管  
A202-A.2 Φ5×95mm  
A203-A.2 Φ10×95mm  
A202-A-2.1 Φ5×110mm  
A203-A-2.1 Φ10×110mm

斜口  
A202-A.4 Φ5×95mm  
A203-A.4 Φ10×95mm  
A202-A-4.1 Φ5×110mm  
A203-A-4.1 Φ10×110mm

磁性 (钛合金) Megnetic



A200-D Φ3×60mm  
A202-D Φ5×95mm  
A203-D Φ10×95mm  
A202-D-1 Φ5×110mm  
A203-D-1 Φ10×110mm

带保护  
A202-D.1 Φ5×95mm  
A203-D.1 Φ10×95mm  
A202-D-1.1 Φ5×110mm  
A203-D-1.1 Φ10×110mm

带保护带螺纹管  
A202-D.2 Φ5×95mm  
A203-D.2 Φ10×95mm  
A202-D-2.1 Φ5×110mm  
A203-D-2.1 Φ10×110mm

斜口  
A202-D.4 Φ5×95mm  
A203-D.4 Φ10×95mm  
A202-D-4.1 Φ5×110mm  
A203-D-4.1 Φ10×110mm

翻盖式 Clamshell



A200-B Φ3×60mm  
A202-B Φ5×95mm  
A203-B Φ10×95mm  
A202-B-1 Φ5×110mm  
A203-B-1 Φ10×110mm

带保护  
A202-B.1 Φ5×95mm  
A203-B.1 Φ10×95mm  
A202-B-1.1 Φ5×110mm  
A203-B-1.1 Φ10×110mm

带保护带螺纹管  
A202-B.2 Φ5×95mm  
A203-B.2 Φ10×95mm  
A202-B-2.1 Φ5×110mm  
A203-B-2.1 Φ10×110mm

斜口  
A202-B.4 Φ5×95mm  
A203-B.4 Φ10×95mm  
A202-B-4.1 Φ5×110mm  
A203-B-4.1 Φ10×110mm

翻盖式斜口保护 Clamshell bevel protection



A202-C Φ5×95mm  
A203-C Φ10×95mm  
A202-C-1 Φ5×110mm  
A203-C-1 Φ10×110mm

密封帽 Sealing Cap



转换器 Reducer



A218 Φ5-Φ3 100mm

A219 Φ10-Φ5 100mm  
A219-2 Φ10-Φ5 120mm  
A219-3 Φ10-Φ5 150mm  
A219-4 Φ10-Φ5 170mm

A219-1 Φ10-Φ5 22mm

A226-1 Φ10转Φ5 螺口

A226-2 Φ12.5转Φ10 螺口

A226-3 Φ10转Φ5 卡口

A226-4 Φ12.5转Φ10 卡口

施夹钳 Tigating Clips

施夹钳(配塑料夹) Clip applicator for plastic clip  
拉式柄



A266-2 Φ5×330mm 中大号 ML

A266-1 Φ10×330mm 大号 L

A266 Φ10×330mm 加大 XL

推式柄



A266-2.1 Φ5×330mm 中大号 ML

A266-1.1 Φ10×330mm 大号 L

A266.1 Φ10×330mm 加大 XL



A269 Φ10×330mm  
(配泰科生物夹) Tyco clip

钛夹、钛夹钳 Tigating Clips, Clip Applier



A194-4 钛夹Clip 大号/L  
A194-3 钛夹Clip 中号/ML  
A194-2 钛夹Clip 中号/M  
A194-1 钛夹Clip 小号/S

钛夹钳 Clip Applier



A145  $\Phi 10 \times 330$ mm  
双动/大、中、中偏  
Double action/L, M, ML  
A157  $\Phi 10 \times 330$ mm  
特弯/大、中、中偏、小号  
Special bend/L, M, ML, S

A206  $\Phi 10 \times 330$ mm  
单开/大、中、中偏  
Single action/L, M, ML

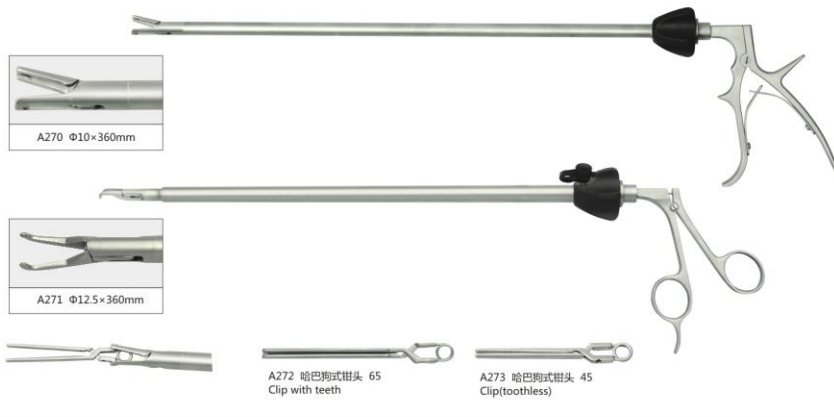
A234  $\Phi 10 \times 330$ mm  
直角/小号 Right angle/S  
A233  $\Phi 10 \times 330$ mm  
直角/中、中偏  
Right angle/M, ML

施夹钳(配塑料夹) Clip applicator for plastic clip



加大号 XL  
A268-9 250mm-9°  
A268-30 250mm-30°  
A268-70 250mm-70°  
大号 L  
A268-1-9 250mm-9°  
A268-1-30 250mm-30°  
A268-1-90 250mm-70°  
中大号 ML  
A268-2-9 250mm-9°  
A268-2-30 250mm-30°  
A268-2-70 250mm-70°

抓取钳(哈巴狗式) Grasping forceps



A270  $\Phi 10 \times 360$ mm

A271  $\Phi 12.5 \times 360$ mm

A272 哈巴狗式钳头 65  
Clip with teeth

A273 哈巴狗式钳头 45  
Clip(toothless)

持针钳 Needle Holder

O型持针钳 O Needle holder  $\Phi 5 \times 330$ mm



A149-1 弯头 Curved  
A149-2 直头 Straight  
A149-3 归位 Automatic reset  
A149-4 归位夹线型 Reset line  
A149-5 归位弧形 Reset arc

V型持针钳 V Needle holder  $\Phi 5 \times 330$ mm



A149-1-1 弯头 Curved  
A149-1-2 直头 Straight  
A149-1-3 归位 Automatic reset  
A149-1-4 归位夹线型 Reset line  
A149-1-5 归位弧形 Reset arc

V型持针钳 V Needle holder  $\Phi 5 \times 330$ mm



A149-2-1 弯头 Curved  
A149-2-2 直头 Straight  
A149-2-3 归位 Automatic reset  
A149-2-4 归位夹线型 Reset line  
A149-2-5 归位弧形 Reset arc

A型持针钳 A Needle holder  $\Phi 5 \times 330$ mm



A149-3-1 弯头 Curved  
A149-3-2 直头 Straight  
A149-3-3 归位 Automatic reset  
A149-3-4 归位夹线型 Reset line  
A149-3-5 归位弧形 Reset arc

V型持针钳 V Needle holder  $\Phi 5 \times 330$ mm



A149-4-1 弯头 Curved  
A149-4-2 直头 Straight  
A149-4-3 归位 Automatic reset  
A149-4-4 归位夹线型 Reset line  
A149-4-5 归位弧形 Reset arc

枪形持针钳 Bayonet Shaped Needle holder  $\Phi 5 \times 330$ mm



A149-5-1 弯头 Curved  
A149-5-2 直头 Straight  
A149-5-3 归位 Automatic reset  
A149-5-4 归位夹线型 Reset line  
A149-5-5 归位弧形 Reset arc



弯头 Curved

直头 Straight

归位 Automatic reset

归位夹线型 Reset line

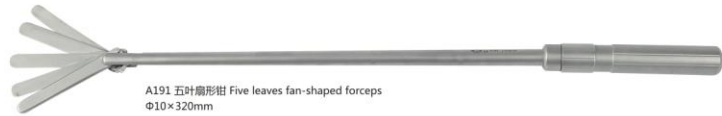
归位(弧形) Reset arc

荷包钳 Purse Stitching Clamp



A249 荷包钳 Purse Stitching Clamp

扇形钳 Retractor Forceps



A191 五叶扇形钳 Five leaves fan-shaped forceps  
Φ10×320mm



A280 三叶钳 (连接) Three leaves connection forceps  
Φ5×350mm



A281 三叶钳 Three leaves forceps  
Φ5×350mm



A282 五叶钳 Five leaves forceps  
Φ5×350mm

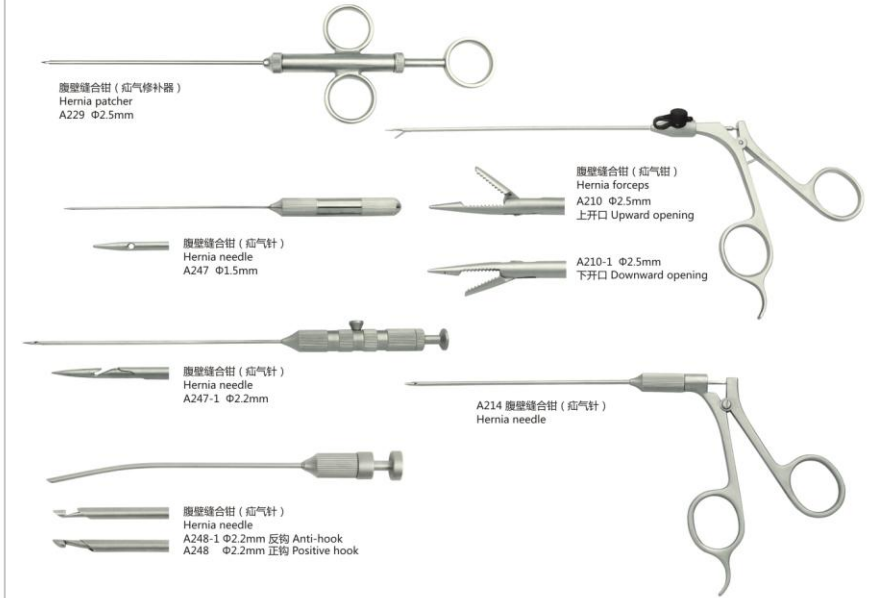


A283 五叶钳 (可弯) Five leaves forceps (bendable)  
Φ10×350mm



A284 五叶钳 Five leaves forceps  
Φ10×350mm

腹壁缝合钳 Suture Forceps



腹壁缝合钳 (疝气修补器)  
Hernia patcher  
A229 Φ2.5mm

腹壁缝合钳 (疝气钳)  
Hernia forceps  
A210 Φ2.5mm  
上开口 Upward opening

腹壁缝合钳 (疝气针)  
Hernia needle  
A247 Φ1.5mm

A210-1 Φ2.5mm  
下开口 Downward opening

腹壁缝合钳 (疝气针)  
Hernia needle  
A247-1 Φ2.2mm

A214 腹壁缝合钳 (疝气针)  
Hernia needle

腹壁缝合钳 (疝气针)  
Hernia needle  
A248-1 Φ2.2mm 反钩 Anti-hook  
A248 Φ2.2mm 正钩 Positive hook

推结器 Knot Pusher



(金属头) Metallic head  
A217-1 Φ5×330mm

(塑料头) Plastic head  
A217-5 Φ5×330mm

(月牙形) Crescent head  
A217-2 Φ5×330mm

(抽芯式) Core pulling type  
A217-3 Φ5×330mm

(槽式) Head with notch for suture (Metalic)  
A217-4 Φ5×330mm



气腹针 Veress Needle



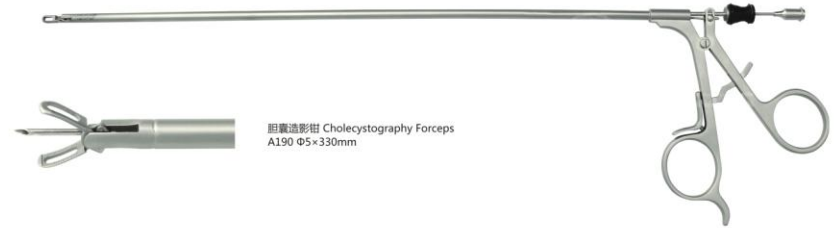
腹腔镜甲状腺手术器械 Thyroid Surgical Instruments



抓取钳 (弹簧抓钳) Spring Grasping Forceps



胆囊造影钳 Cholecystography Forceps



切开刀 Bile Duct Knife



胆管针 Bile duct needle

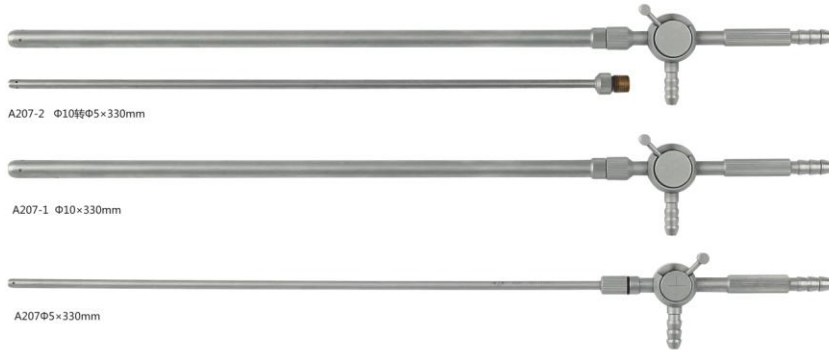


套扎器 Ligator





三通冲洗器 Three-way Suction & Irrigation



A207-2 Φ10转Φ5×330mm

A207-1 Φ10×330mm

A207Φ5×330mm



A207-3 弹簧式 Spring type  
Φ5/Φ10×330mm

电凝器 (带冲吸) Electric Coagulator



推动式 Push



电凝器 (带冲吸)  
Coagulating stick  
A207-4-1 Φ5×330mm



电钩 (带冲吸)  
Hook  
A207-4 Φ5×330mm

电凝 Monopolar HF Electrode Φ5×330



A204 电钩 Hook



A205 电铲 Spatula



A151 电凝器 Coagulating stick



A204-1 电钩 Hook  
Φ5×330mm



A211 电针 Needle  
Φ5×330mm



A236 电刀 Knife  
Φ5×330mm

高频连接线 Cord for Monopolar



高频连接线 Cord for Monopolar  
A108 Φ4×3000mm

Φ6.3mm (配沪通)  
Connector for VANHUR

Φ6mm (配奥林巴斯)  
Connector for OLYMPUS

Φ8mm (配奥林巴斯)  
Connector for OLYMPUS

双极电凝钳 Bipolar coagulation forceps

弹簧手柄 Spring handle Φ5mm×330mm



A237-1 直形  
Straight



A237-2 弯形  
Curved



A237-3 中空  
Hollow



A108-2 高频连接线 (双极) Bipolar coagulation

塑料手柄 Plastic handle Φ5mm×330mm



A237.1-1 直  
Straight



A237.1-2 弯  
Curved



A237.1-3 中空  
Hollow



A108-2 高频连接线 (双极) Bipolar coagulation



双极电凝钳 Bipolar coagulation forceps

三拆 Three parts



双动, 无损伤型  
Atraumatic, double action  
A299 Φ5×330mm



双动, 弯分离型  
Maryland, double action  
A299-3 Φ5×330mm



A108-2 高频连接线 (双极) Bipolar coagulation

螺口手柄 Screw handle



双动 (直头)  
Atraumatic, double action, straight  
A261 Φ5mm×330mm



双动 (弯头)  
Maryland, double action, curved  
A261-3 Φ5mm×330mm



A108-1 高频连接线 (双极) Bipolar coagulation

胸腔钳 Thoracic Clamp



A570 胸腔钳 Thoracic clamp

手术钳拆卸图 Forceps disassembling instruction

二拆手柄 Two parts



三拆手柄 Three parts



三拆手柄 (带锁卡) Three parts with lock





手柄 (Φ5mm) Handle



手术钳、手术剪刀 (Φ5×330mm) Forceps and Scissors

	A208 直剪 (单动) Scissors, straight, Single action		A111 剥离钳 (弯) (17mm) Dissecting forceps, curved
	A141 直剪 (双动) Scissors, straight double action		A111-1 剥离钳 (弯) (12mm) Dissecting forceps, curved
	A123 直剪 (上翘30度) Scissors, straight Upward 30°		A111-2 剥离钳 (弯) (14mm) Dissecting forceps, curved
	A227 钩剪 (单动) Scissors, hooked Single action		A111-3 剥离钳 (弯) (18mm) Dissecting forceps, curved
	A209 弯剪 Scissors, curved		A111-4 剥离钳 (弯) (20mm) Dissecting forceps, curved
	A118 弯剪 (双动) Scissors, Curved, double action		A111-5 剥离钳 (弯) (25mm) Dissecting forceps, curved
	A138 弯剪 (微双双动) Scissors, Curved, double action		A111-6 剥离钳 (钝头弯) (16mm) Dissecting forceps, blunt curved

手术钳、手术剪刀 (Φ5×330mm) Forceps and Scissors

	A111-7 剥离钳 (弯) (45°) Dissecting forceps, curved		A142 抓取钳 (胆囊) Gallbladder grasping forceps
	A134 剥离钳 (直) Dissecting forceps, straight		A304 抓取钳 (胆囊9齿) Gallbladder grasping forceps
	A113 剥离钳 (直角) Dissecting forceps, (right angle)		A306 抓取钳 (无损伤小抓钳) Grasping forceps, atraumatic
	A213 剥离钳 (直角) Dissecting forceps, (right angle)		A301 抓取钳 (无损伤小抓钳) Grasping forceps, atraumatic
	A193 打结钳 Knot tying forceps		A305 抓取钳 (无损伤) Grasping forceps, atraumatic
	A263 抓取钳 (鸭嘴) Grasping forceps duck mouth		A215 抓取钳 (无创) Grasping forceps, atraumatic
	A310 抓取钳 (鸭嘴锯齿碗形) Grasping forceps duck mouth with large teeth		A215-1 抓取钳 (无创加长) Grasping forceps, distal pyramidal-shaped teeth with fenestrated hollow
	A114 抓取钳 (重型抓钳) Heavy grasping forceps		A215-2 抓取钳 (无创粗齿) Grasping forceps, distal pyramidal-shaped teeth with fenestrated hollow
	A312 抓取钳 (倒齿) Grasping forceps with inverted teeth		A110 抓取钳 (钝头) Grasping forceps, blunt with wavy teeth
	A313 抓取钳 (倒齿六孔) Grasping forceps with inverted teeth (6 holes)		A262 抓取钳 (尖头) Grasping forceps, with pointy head
	A318 抓取钳 (倒齿碗形) Grasping forceps with inverted teeth (bowl shaped)		A300 抓取钳 (阑尾) Appendix grasping, fenestrated and hollow
	A302 抓取钳 (固定抓钳) Fixation grasping forceps, serrated		A264 抓取钳 (小勺活检钳) Biopsy forceps, small spoon
	A319 抓取钳 (鼠齿2+3双动) Grasping, distal 2+3 claws with horizontal serration, fenestrated		A126 抓取钳 (带钉活检钳) Biopsy forceps with spike



手术钳、手术剪刀 (Φ5×330mm) Forceps and Scissors

	A139 抓取钳 (咬切口活检) Biopsy punch forceps with serration border		A328 抓取钳 (双排齿小抓钳) Grasping forceps with 2x3 teeth
	815-2 抓取钳 (输卵管) Tubal grasping forceps with distal circular plate		A127 抓取钳 (鼠牙2+4单动) Mouse teeth grasping forceps (2+4 single action)
	815-3 抓取钳 (输卵管短头) Tubal grasping forceps with distal circular plate (Short head)		A314 抓取钳 (鼠牙2+4双动) Mouse teeth grasping forceps (2+4 double action)
	A327 抓取钳 (输尿管) Ureteral grasping forceps, toothless		A308 抓取钳 (八爪) Octopus grasping forceps
	A317 抓取钳 (系膜单面中空) Mesentery grasping forceps, (sided hollow)		A315 抓取钳 (鼠齿1+2双动) Grasping forceps with distal 1+2 claws
	A317-1 抓取钳 (系膜) Mesentery grasping forceps, fenestrated		A325 抓取钳 (胃) Gastric grasping forceps, distal fenestrated
	A242 抓取钳 (横齿中空) Grasping with forceps distal vertical serration		A307 抓取钳 (胃) Gastric grasping forceps, distal fenestrated
	A242-1 抓取钳 (横齿中空加长) Grasping forceps, distal horizontal teeth with hollow/Extended head		A329 打结钳 (B型) Tying forceps, type B
	A320 抓取钳 (竖齿中空) Grasping forceps, vertical teeth		A338 打结钳 (S型) Tying forceps, type S
	A322 抓取钳 (竖齿中空、长头) Grasping forceps, vertical teeth		A143-1 抓取钳 (中空肠抓钳) Intestinal forceps (Fenestrated)
	A326 抓取钳 (O形胃抓钳) Grasping forceps, hollow		A143-2 抓取钳 (双面中空/横齿肠抓钳) Intestinal forceps (Fenestrated/Horizontal teeth)
	A116 抓取钳 (无损伤) Grasping, distal pyramidal-shaped teeth with fenestrated hollow		A143-4 抓取钳 (肠抓钳) Intestinal forceps
	A321 抓取钳 (V形) Grasping forceps, fenestrated and hollow		

手柄 (Φ10mm) Handle



手术钳、手术剪刀 (Φ10×330mm) Forceps and Scissors

	A402 直剪 Scissors, straight		A407 抓紧钳 (无损伤) Grasping forceps, atraumatic, fenestrated
	A403 弯剪 Scissors, curved		A408 抓紧钳 (无创) Grasping forceps, atraumatic, fenestrated
	A404 剥离钳 (弯) Maryland forceps (curved)		A409 抓紧钳 (胃抓钳) Gastric grasping forceps, distal fenestrated
	A405 剥离钳 (直角) Dissecting forceps (right angle)		A410 抓紧钳 (胃抓钳) 圆头 Gastric grasping forceps, spoon-shaped tip
	A406 直角分离钳 Dissecting forceps right angle		A411 抓紧钳 (吻合牵引) Anastomosis traction forceps



手术钳、手术剪刀 (Φ10×330mm) Forceps and Scissors

	A412 抓索钳 (卵圆) Grasping forceps (oval)		A417 抓索钳 (粗齿固定) Grasping forceps, grid flat teeth
	A413 抓索钳 (倒齿) Grasping forceps with reverted teeth		A418 抓索钳 (宽嘴无齿) Grasping forceps, toothless
	A414 抓索钳 (板克) Grasping forceps with horizontal serration		A419 抓索钳 (鸭嘴) Grasping forceps (duck mouth)
	A415 抓索钳 (八齿) Grasping forceps		A420 抓索钳 (长颈抓取) Grasping forceps, long nose, pyramidal-shaped teeth
	A150 取石钳 (胆囊) Lithotomy forceps		A421 抓索钳 (缝合) Grasping forceps, fenestrated
	A400 取石钳 Lithotomy forceps		A422 抓索钳 (止血) Grasping forceps atraumatic
	A216 大型抓索取出钳 (轮转) Grasping forceps, Distal 2+3claws		
	A401 大型抓索取出钳 Lithotomy forceps		
	A416 抓索钳 (肺叶抓钳) Lung forceps, distal wavy teeth, fenestrated		

小切口手术器械 Small incision surgical instruments

	取石钳 Gallstone forceps A181 Φ10×200mm		软夹钳 Clip applicator A180 Φ10×200mm
	抓取钳 (弹簧) Spring grasping forceps A195 Φ5×200mm		三通冲洗器 Suction and irrigator A199 Φ5×200mm
	打结钳 Applicator for suture A197 Φ5×200mm		剥离钳 (直) Dissecting forceps, straight A182-1 Φ5×200mm
	剪刀 (直, 单动) Straight scissors A183-1 Φ5×200 (Single action)		剥离钳 (弯) Maryland forceps A182-2 18mm
			剪刀 (弯, 双动) Curved scissor A183-2 Φ5×200 (Double action)
	A184-1电钩(带瓷头) Hook electrode		A185电凝 Coagulation electrode
			A184-2电铲(带瓷头) Blade electrode
	A187 L状拉钩(带光纤纤芯) L-type active retractor (With fiber optical tube)		A186 S状拉钩(带光纤纤芯) S-type active retractor (With fiber optical tube)
			A198 活动拉钩(带光纤纤芯) Active retractor (With fiber optical tube) 80×150mm

举宫器 Uterine Manipulator



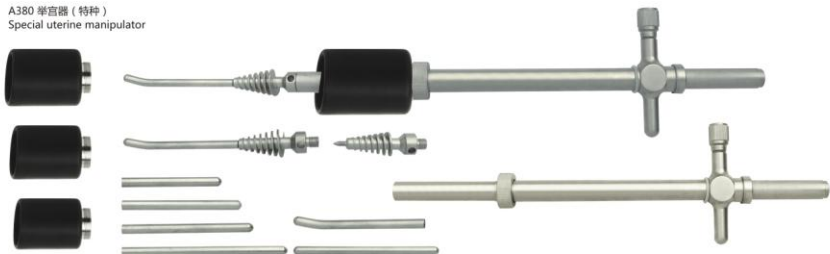
A350 举宫器 (多功能) Multifunction uterine manipulator



A370 举宫器 (特种) Special uterine manipulator

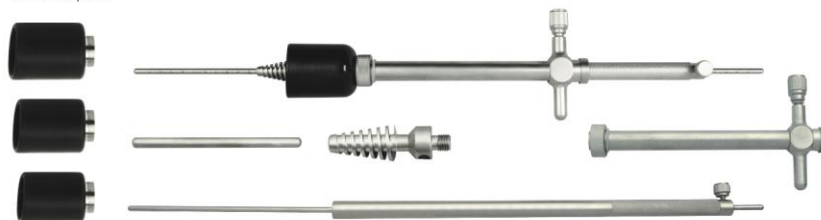


A380 举宫器 (特种) Special uterine manipulator

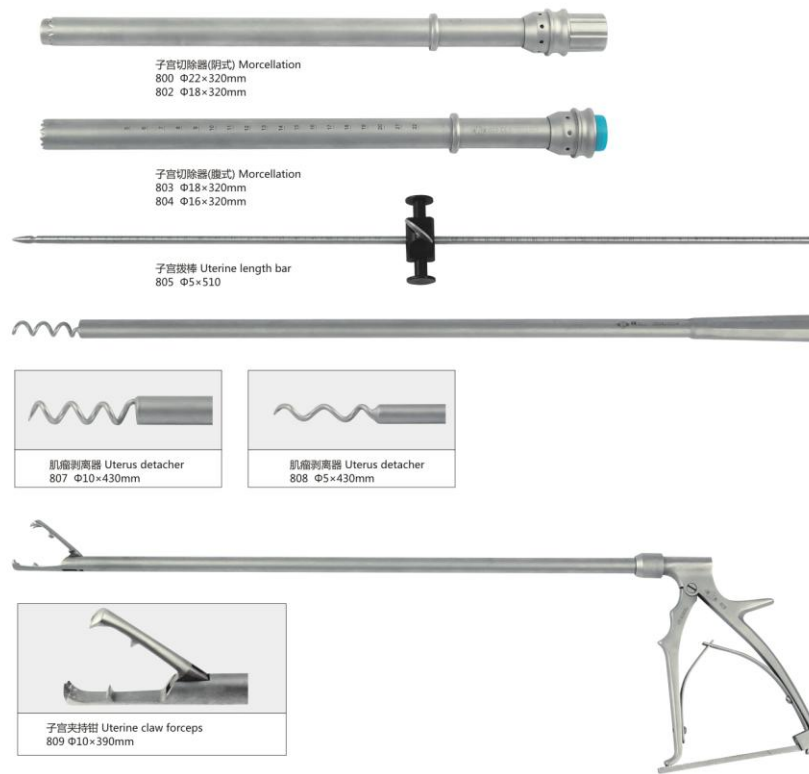


举宫器 Uterine Manipulator

A390 举宫器 (特种)  
Uterine Manipulator



QJC-A 电动子宫切除器 Powered Hystera-cutter



妇  
科

QCJ-A 电动子宫切除器 Morcellator

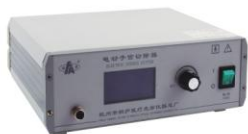


扩张器 Dilator  
818  $\Phi$ 18×95mm 配802、803切除器  
813  $\Phi$ 22×95mm 配800切除器

扩张器 Dilator  
819  $\Phi$ 16×95mm 配804切除器



814 举宫器 Uterine manipulator



816-1 控制器 Controller



816 电动手柄  
Electric handle



812 子宫颈钳 Cervix forceps

812-1 子宫颈钳 Cervix forceps



812-2 子宫颈钳 Cervix forceps



推结器 Knot pusher  
A217  $\Phi$ 5×320mm



GQJ 宫腔镜 (A型) Hysteroscope set



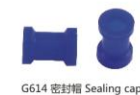
J018-G  $\Phi$ 4×300mm 宫腔镜 Hysteroscope set



G601 镜鞘 Sheath 19.5Fr



G607 清洁刷 Cleaning brush  $\Phi$ 3×370mm



G614 密封帽 Sealing cap



G608 长针导气管  $\Phi$ 6×2000mm

G609 短针导液管  $\Phi$ 6×1700mm

G610 传导管  $\Phi$ 6×350mm



活枪钳 Grasping forceps  
G602  $\Phi$ 2×285mm

直剪 Scissors  
G603  $\Phi$ 2×285mm

抓夹钳 Grasping forceps  
G604  $\Phi$ 2×285mm

抓夹钳 Grasping forceps  
G605  $\Phi$ 2×285mm

抓夹钳 Grasping forceps  
G606  $\Phi$ 2×285mm

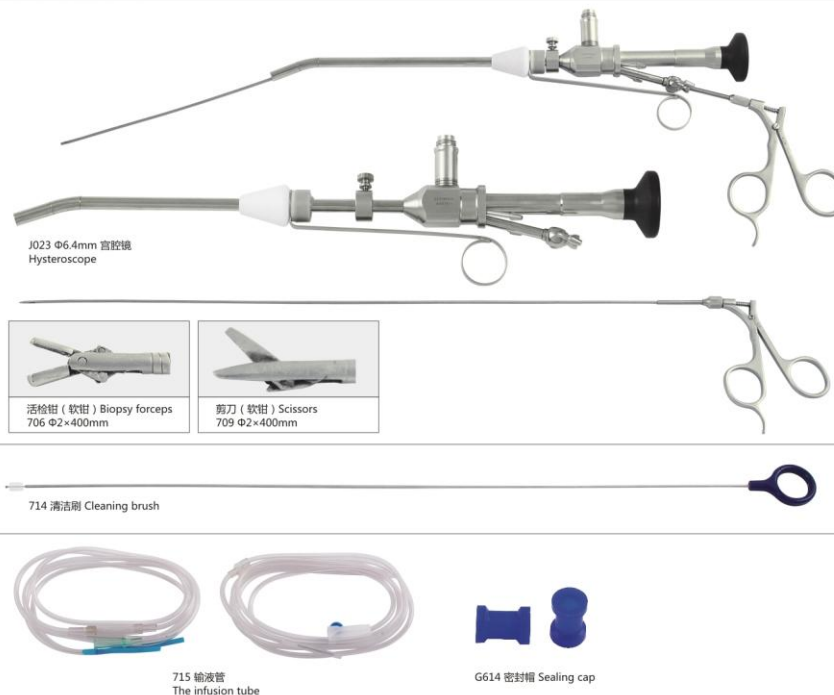
GQJ 宫腔镜(B型)Hysteroscope set



GQJ 宫腔镜(D型)Hysteroscope set



GQJ 宫腔镜 (C型) Hysteroscope set



选购件 Optional

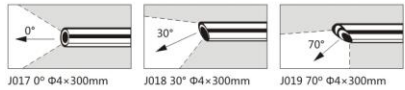


妇  
科

NPJ-K膀胱内窥镜 (卡口式) Cystoscope set



膀胱内窥镜 Cystoscope



J017 0° Φ4×300mm J018 30° Φ4×300mm J019 70° Φ4×300mm



K 705 插管套 Cannula

K 704 窥镜桥 Endo-bridge

G614 密封帽 Sealing cap



镜鞘 (含闭孔器) Sheath & obturator  
K 710 16Fr  
K 701 18Fr  
K 702 21Fr  
K 703 22Fr



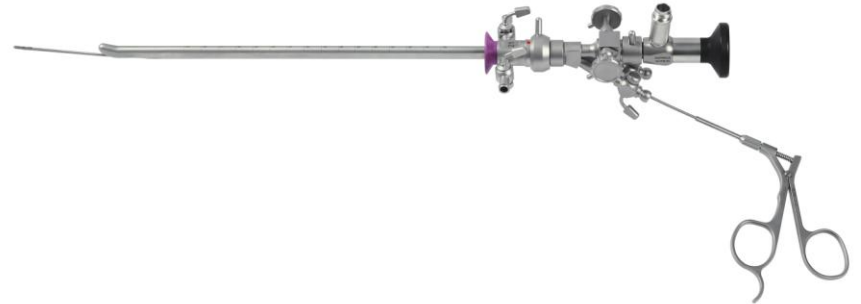
抓钳(锯齿状钳)  
Sawtooth forceps, flexible  
708 Φ2×400mm

活检钳(软钳)  
Biopsy forceps, flexible  
706 Φ2×400mm

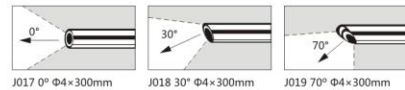
异物钳(软钳)  
Foreign-body forceps, flexible  
707 Φ2×400mm

剪刀(软钳)  
Straight scissors, flexible  
709 Φ2×400mm

NPJ-B 膀胱内窥镜 Cystoscope set



膀胱内窥镜 Cystoscope



J017 0° Φ4×300mm J018 30° Φ4×300mm J019 70° Φ4×300mm



705 插管套 Cannula

704 窥镜桥 Endo-bridge

G614 密封帽 Sealing cap



镜鞘 (含闭孔器) Sheath & obturator  
710 16.5Fr  
701 18.5Fr  
702 21Fr  
703 23Fr



抓钳(锯齿状钳)  
Sawtooth forceps, flexible  
708 Φ2×400mm

活检钳(软钳)  
Biopsy forceps, flexible  
706 Φ2×400mm

异物钳(软钳)  
Foreign-body forceps, flexible  
707 Φ2×400mm

剪刀(软钳)  
Straight scissors, flexible  
709 Φ2×400mm



DQJ-A 前列腺汽化电切镜 Resectoscope set

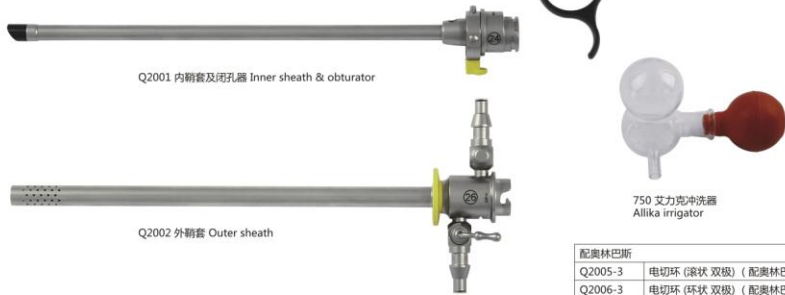


J020 电切镜 Resectoscope  $\Phi 4 \times 303\text{mm } 12^\circ$



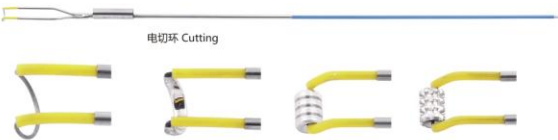
Q2003 工作手件 Working element

Q2001 内鞘套及闭孔器 Inner sheath & obturator



Q2002 外鞘套 Outer sheath

750 艾力克冲洗器 Alikia irrigator



电切环 Cutting

配奥林巴斯	
Q2005-3	电切环 (滚状 双极) (配奥林巴斯)
Q2006-3	电切环 (环状 双极) (配奥林巴斯)
Q2008-3	电切环 (环状 双极) (配奥林巴斯)
Q2015-3	电切环 (针状 双极) (配奥林巴斯)
Q2006D-3	电切环 (环状 单极) (配奥林巴斯)
配雷力	
Q2005-1	电切环 (滚状 双极) (配雷力)
Q2006-1	电切环 (环状 双极) (配雷力)
Q2015-1	电切环 (针状 双极) (配雷力)
配STORZ	
Q2006	电切环 (环状 单极) (配STORZ)
配wolf	
Q2006-2	电切环 (环状 双极) (配wolf)
Q2015-2	电切环 (针状 双极) (配wolf)

SSJ 膀胱碎石镜 Lithotriptoscope set

膀胱碎石镜 (弯型)  
Lithotriptoscope (Curved)

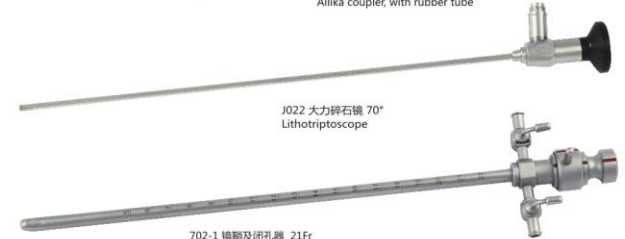


748 大力碎石钳 Lithotriptoscope forceps

751 艾力克冲洗器接头 Alikia coupler, with rubber tube



750 艾力克冲洗器 Alikia irrigator



J022 大力碎石镜 70° Lithotriptoscope

702-1 镜鞘及闭孔器 21Fr Sheath&obturator

膀胱碎石镜 (直型)  
Lithotriptoscope (straight)

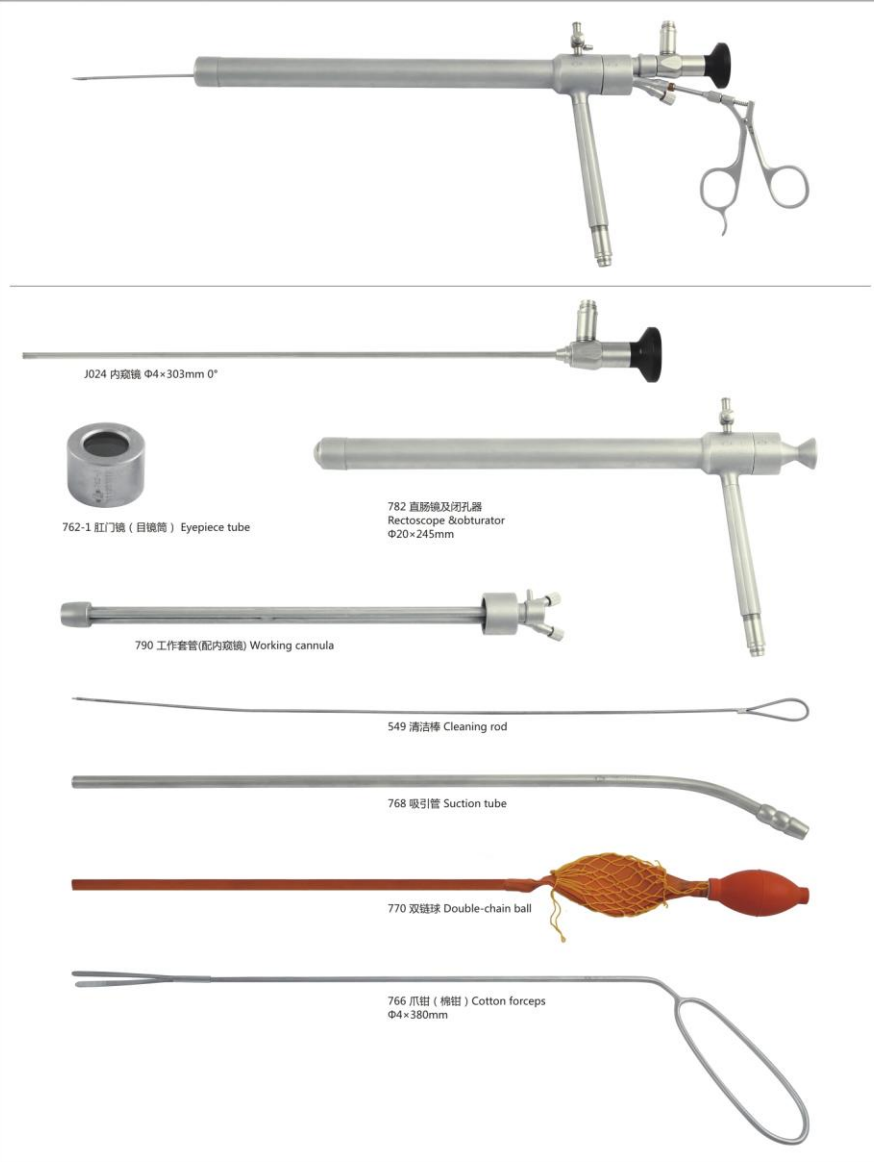


748-1 大力碎石钳 Lithotriptoscope forceps

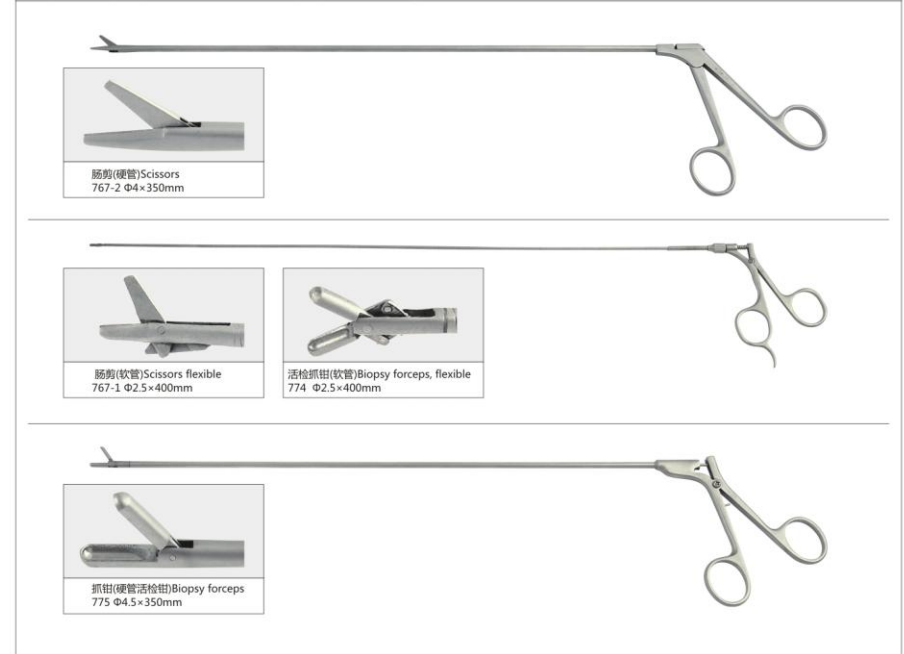
J024  $\Phi 4 \times 300\text{mm } 0^\circ$  Endoscope



直肠、乙状结肠镜手术器械 (直A) Rectoscope set



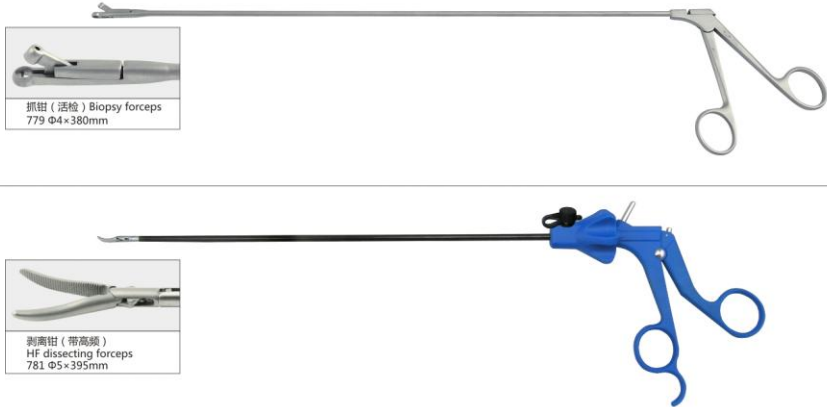
直肠、乙状结肠镜手术器械 (直A) Rectoscope set (A)



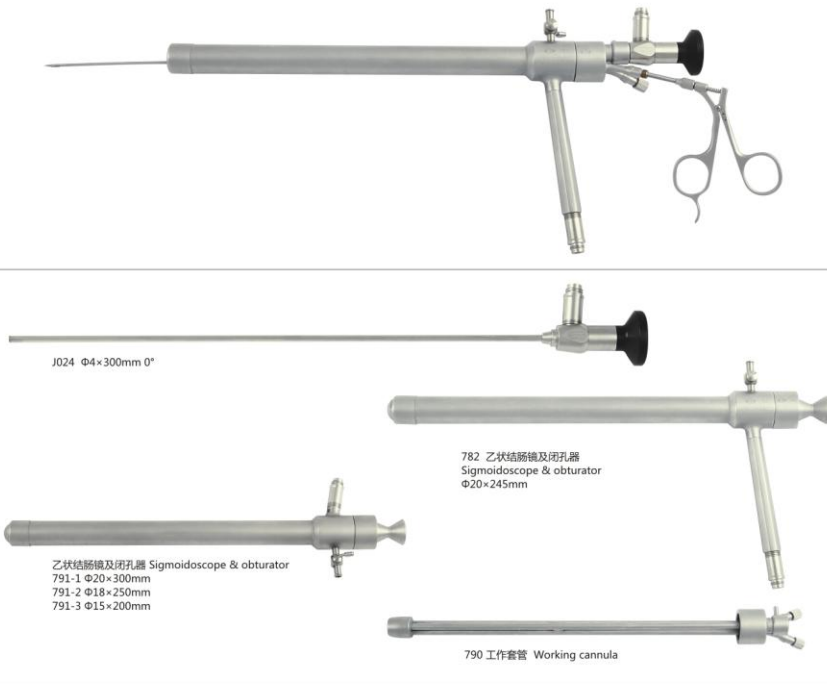
直肠、乙状结肠镜手术器械 (直B) Rectoscope set (B)



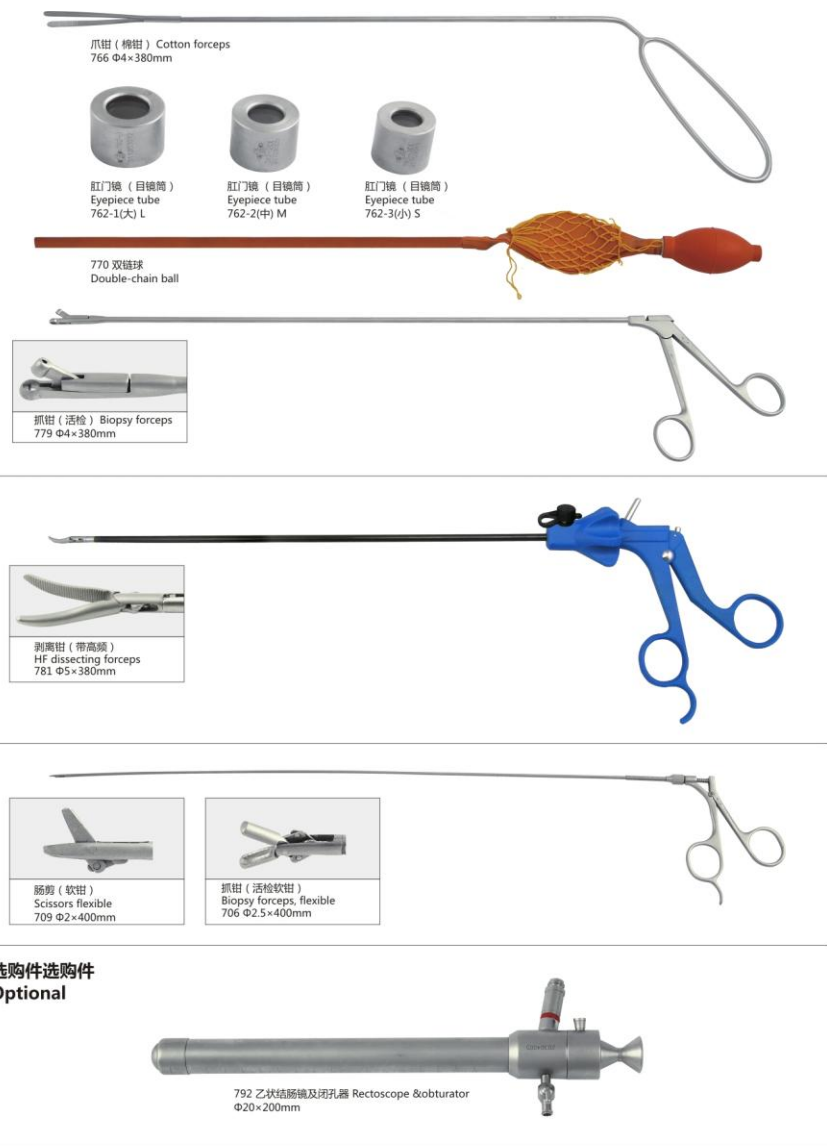
直肠、乙状结肠镜手术器械 (直B) Rectoscope set (B)



直肠、乙状结肠镜手术器械 (乙状A) Sigmoidoscope set

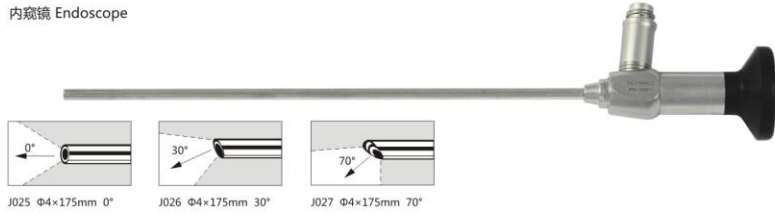


直肠、乙状结肠镜手术器械 (乙A) Sigmoidoscope set

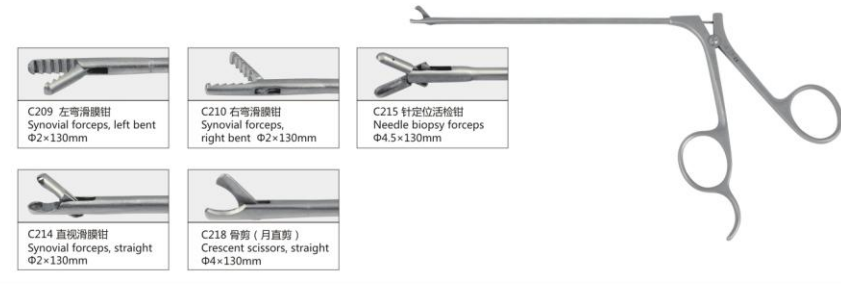
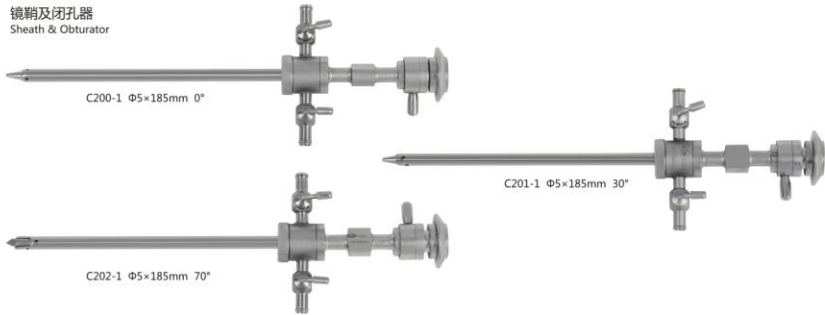


GJJ-E型关节镜成套器械 Arthroscope set

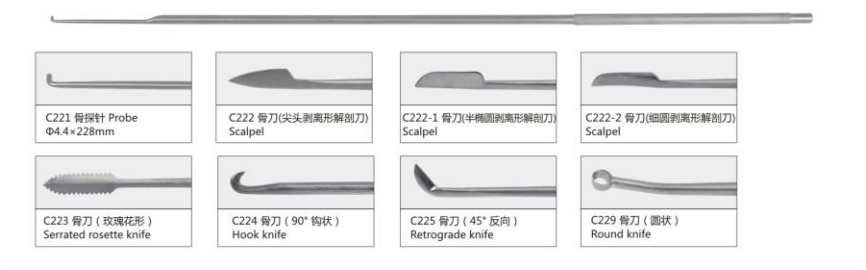
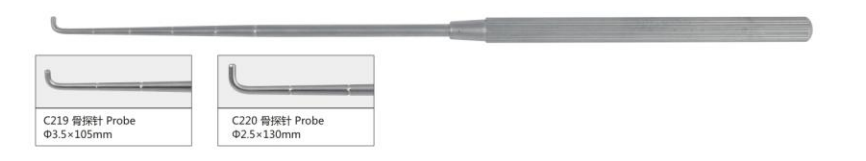
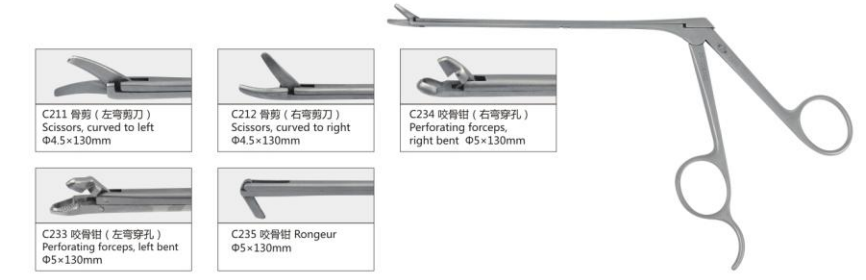
内窥镜 Endoscope



镜鞘及闭孔器 Sheath & Obturator



GJJ-E型关节镜成套器械 GJJ-E Arthroscope set

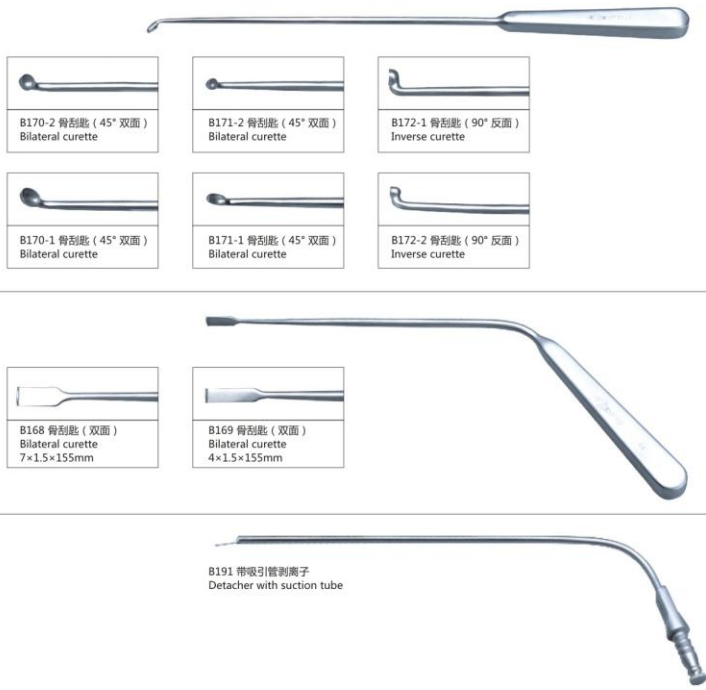




关节手术器械 Joint surgical instruments



椎间盘镜手术器械 Intervertebral disc endoscope set

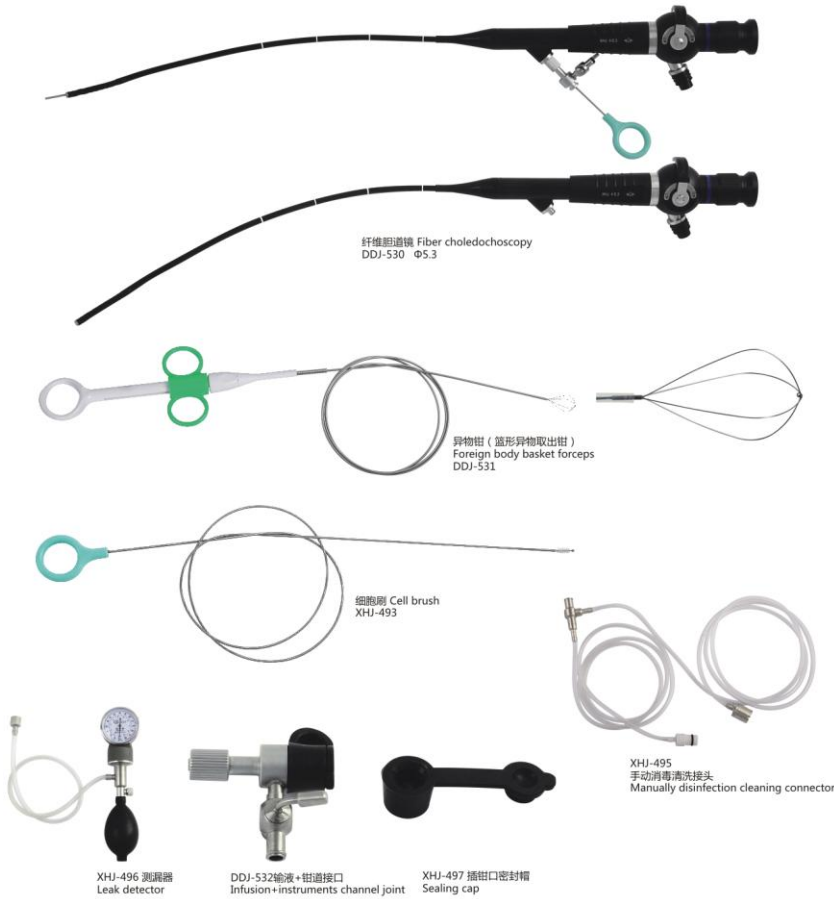


椎间盘镜手术器械 Intervertebral disc endoscope set





DDJ 纤维胆道镜 Fiber Choledochoscope



参数表格 Parameter

主要技术性能	
视场角 View angle	直视80°
观察景深 Depth of field	3-50mm
弯曲角度 Bending angle	上≥130° 下≥90°
插入管外径 Out diameter of the tube	Φ5.3mm
钳孔直径 Inner diameter of instrument channel	Φ2.2mm
工作长度 Working length	380mm

上、下消化道电子内窥镜 Upper, lower gastrointestinal endoscope



上消化道电子镜技术参数	
视场角 View angle	120°
观察景深 Depth of field	4-100mm
插入管外径 Out diameter of the tube	Φ 9.8mm
钳道孔径 Inner diameter of instrument channel	Φ 2.8mm
弯曲角度 Bending angle	上180°左100°, 下90°右100° Up180°, Left100°, Down90°, Right100°
分辨率 Resolution definition	5.26lp/mm L=10mm
照度 Lux	≥8000lx L=10mm
有效工作长度 Working length	1050mm



SDJ-980 上消化道电子内窥镜  
Up-gastrointestinal video endoscope system  
XDJ-1280 下消化道电子内窥镜  
Down-gastrointestinal video endoscope system

下消化道电子镜技术参数	
视场角 View angle	120°直视
观察景深 Depth of field	4-100mm
插入管外径 Out diameter of the tube	Φ 12.8mm
钳道孔径 Inner diameter of instrument channel	Φ 3.2mm
弯曲角度 Bending angle	上180°左160°, 下180°右160° Up180°, Left160°, Down180°, Right160°
有效工作长度 Working length	1500mm





内窥镜系统及附件 Endoscope system and accessories

全高清医用外科监视器  
Full HD Surgical Monitor



内窥镜摄像机  
Full HD Endoscope Camera  
(CCU, camera head, coupler)  
全高清 FA-310  
全高清 FA-311

氙灯冷光源  
Xenon Cold Light Source

全高清医生工作站  
Full HD Documentation

**SZJ**  
内窥镜数字图像处理系统  
Endoscopic Imaging system

1. 全高清内窥镜图像技术，术野通透清晰，色彩层次细腻  
Full HD image processing technology bring brilliant Full HD endoscopic imaging
2. 大屏触控控制，简洁操作，主要功能一键实现  
Touch screen control, easy operation
3. 一键手术场景设定，呈现最佳画质，省去繁杂的术前参数设置  
One touch surgery scene choosing, eliminate the parameter setting before surgery
4. 集成实时录像、拍照功能，无须额外内窥镜摄像机\*  
Integrate record, photo function, eliminate the need of external endoscopic recorder\*
5. 3G-SDI, DVI, HDMI多路全高清输出，实现多屏显示、连接内窥镜工作站  
3G-SDI, DVI, HDMI output for multi screen or documentation
6. 无线网络实时直播手术，无缝连接电脑、PAD、手机等外部设备\*  
Wireless connect to Laptop, PAD, mobile phones and other external display device, broadcast live surgery\*
7. 摄像头全身8级防水设计，稳定耐用  
Camera head IPX8 waterproof
8. 一键消除纤维内窥镜网格条纹，另图像清晰明亮  
One touch eliminate fiber-scope grid
9. 4个按键可编程，每个按键均支持12种功能定义  
4 button programmable function, each button supports 12 function definitions

**SNT**  
内窥镜图像显示器  
Endoscopic Imaging system

1. 用于内窥镜诊断或手术，术野通透清晰，色彩细腻  
For endoscopic diagnosis or treatment use, with brilliant endoscopic imaging
2. 大屏显示，简洁操作  
Integrated a screen for imaging display
3. 多路输出，实现多屏显示、连接内窥镜工作站  
Output for multi screen or documentation
4. 为亚洲医生设计，小巧轻盈，手感最佳  
Ergonomic designed, light weight handle
5. 摄像头全身8级防水设计，稳定耐用  
Camera head IPX8 waterproof
6. 一键消除纤维内窥镜网格条纹，另图像清晰明亮  
One touch eliminate fiber-scope grid
7. 设置2个温控按钮  
2 buttons on the camera head

KS-822  
内窥镜摄像机  
Endoscope Camera

KG-301E  
氙灯冷光源  
Xenon Cold Light Source



成套器械附件 Accessories



LGS150 卤钨灯冷光源  
Halogen cold light source



KG-301E 氙灯冷光源  
Xenon cold light source

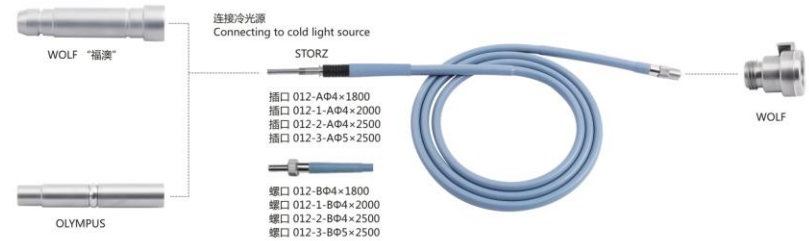


FA-310 内窥镜摄像机  
Endoscope Camera



FA-311 内窥镜摄像机  
Endoscope Camera

导光束示意图 Optical Cable



光学接口 Coupler



光学接口 Coupler

内窥镜系统