

HP

HALLIDAY PRODUCTS

PRODUCT CATALOG

OPTIONAL PROTECTIVE GRATING PANEL

STANDARD FEATURES:

- ALUMINUM 1" BAR CONSTRUCTION
- ALL T-316 STAINLESS STEEL HARDWARE
- LOCKABLE WITH OWNER-SUPPLIED PADLOCK
- HINGED WITH POSITIVE LATCH TO MAINTAIN UPRIGHT POSITION

NUTRIL
(TWO SIDES)

PADLOCK LUG FOR
GRATING PANEL

COVER
LOCKING
DEVICE

STL.
H FOR

ARM FOR
GRATING

THREE
GRATING
PANEL

APPLICATIONS:

THE OPTIONAL PROTECTIVE GRATING PANEL SHOULD BE SPECIFIED FOR APPLICATIONS IN AREAS THAT REQUIRE ADDITIONAL PROTECTION SHOULD THE ACCESS COVER BE LEFT IN THE OPEN POSITION. ALSO,...

SAFETY ORANGE POWDER COATING FINISH

CONCRETE OPENING





1-800-298-1027

www.HallidayProducts.com

What kind of organization do you prefer doing business with? What factors help you decide? Is product quality, fast and efficient customer service, and price important to you? How about timely shipments and an easy-to-use website?

At Halliday Products, we've been in business since 1972, and we believe that every aspect of your experience with us is crucial. We're constantly striving to improve our products and provide top-notch customer service to ensure your complete satisfaction.

At Halliday Products, we always put in our utmost effort to give you an exceptional experience. While we may not always achieve perfection, you can trust that we'll go above and beyond to make sure you're satisfied as a customer. Your happiness is our priority, and we're committed to continuously improving our products and customer service.

Experience the difference. Choose Halliday Products, your source for quality metal products since 1972.



Halliday Products Inc. WEFTEC Booth



120,000 Square Foot Facility

Contact us by any of the following methods:



Visit us online: www.hallidayproducts.com



Call our friendly team: 800-298-1027



Email us: sales@hallidayproducts.com

Table Of Contents

| | |
|---------------------------------------|--------------|
| Access Doors and Options | 5-26 |
| Series W Access Doors | 6-9, 12-13 |
| Series S Access Doors | 10-11, 14-15 |
| Series C1R Access Door | 16 |
| Series R1R Access Door | 17 |
| Series H Access Doors | 18-23 |
| Series F1R Access Door | 24 |
| Access Cover Popular Options | 25 |
| Optional Protective Grating Panel | 26 |
| Series F1H Floodtight Covers | 28 |
| Retro-Grate™ | 29-32 |
| About Retro-Grate | 30 |
| Series X Retro-Grate | 31 |
| Price Quotation Form | 32 |
| Portable Hoists and Sockets | 33-36 |
| Series D Portable Hoists | 34-35 |
| Series D Hoist Sockets | 36 |
| Mixer Masts | 37-38 |
| Series M Mixer Masts | 38 |
| Telescoping Valves | 39-41 |
| Series V Telescoping Valves 3 | 40-41 |
| Portable Safety Grates | 42-43 |
| Series P Portable Manhole Safety Gate | 43 |
| Ladders/Safety Extension | 44-46 |
| Series L1B and L1D Ladders | 45 |
| Series L1E Ladder Extension | 46 |
| Debris Baskets | 47-49 |
| Series B Trash Baskets | 48-49 |
| Slide and Stop Gates | 50-53 |
| Series G Slide Gates | 51-52 |
| Series N Stop Gate | 53 |
| Guide Rail Brackets | 54-55 |
| Series U Guide Rail Brackets | 55 |
| Accessories | 56-57 |
| Series K4A Cable Assembly | 57 |
| Series J4A Cable Holder | 57 |
| Series A Anchor Bolts | 57 |

Access Door Standard Features

| | W1S | W2S | W1C | W2C | S1S | S2S | H1C | H2C | W1R | W2R | S1R | S2R | H1W | H2W | C1R | R1R | H1R | H2R | F1R | F1H | |
|---|-----|-----|-----|-----|-----|-----|-----|-----|-----|-----|-----|-----|-----|-----|-----|-----|-----|-----|-----|-----|---|
| Lifetime Guarantee | ● | ● | ● | ● | ● | ● | ● | ● | ● | ● | ● | ● | ● | ● | ● | ● | ● | ● | ● | ● | |
| Auto Lock T316 SS Hold Open Arm | ● | ● | ● | ● | ● | ● | ● | ● | ● | ● | ● | ● | ● | ● | ● | ● | ● | ● | ● | ● | |
| 316 Stainless Steel Hinges | ● | ● | ● | ● | ● | ● | ● | ● | ● | ● | ● | ● | ● | ● | ● | ● | ● | ● | ● | ● | |
| 316 SS Slam Lock W/Removable Key | ● | ● | ● | ● | ● | ● | ● | ● | | | | | ● | ● | | | ● | ● | | | |
| Non Corrosive Locking Bar | | | | | | | | | ● | ● | ● | ● | | | ● | ● | | | | | |
| Padlock Lug | | | | | | | | | | | | | | | | | | | | ● | |
| Single Leaf Construction | ● | | ● | | ● | | ● | | ● | | ● | | ● | | ● | ● | ● | | ● | ● | |
| Double Leaf Construction | | ● | | ● | | ● | | ● | | ● | | ● | | ● | | | | ● | | | |
| 300 lb per sq ft Load Rating | ● | ● | ● | ● | ● | ● | | | ● | ● | ● | ● | | | ● | ● | | | | | |
| 625 per square ft | | | | | | | | | | | | | | | | | | | | ● | |
| H2O Load Rating | | | | | | | ● | ● | | | | | ● | ● | | | ● | ● | | ● | |
| Extruded Aluminum Channel Frame | ● | ● | ● | ● | | | ● | ● | ● | ● | | | ● | ● | | | | | | | |
| Extruded Aluminum Angle Frame | | | | | ● | ● | | | | | ● | ● | | | | ● | ● | ● | ● | ● | |
| Recessed Lifting Handle | ● | ● | ● | ● | ● | ● | ● | ● | ● | ● | ● | ● | ● | ● | ● | ● | ● | ● | | ● | |
| Stainless Steel Spring Assist | ● | ● | ● | ● | ● | ● | ● | ● | | | | | ● | ● | | | ● | ● | | ● | |
| Built In Neoprene Gasket | ● | ● | ● | ● | ● | ● | | | | | | | | | | | | | | ● | ● |
| Bituminous Coating | ● | ● | ● | ● | ● | ● | | | | | | | | | | | | | | | |
| 1 1/2" NPT Coupling | ● | ● | ● | ● | | | ● | ● | ● | ● | | | ● | ● | | | | | | | |
| Stainless Steel Pressure Locks | | | | | | | | | | | | | | | | | | | | ● | |
| Maximum Allowable Deflection of 1/150 of the Span | ● | ● | ● | ● | ● | ● | ● | ● | ● | ● | ● | ● | ● | ● | ● | ● | ● | ● | ● | ● | |

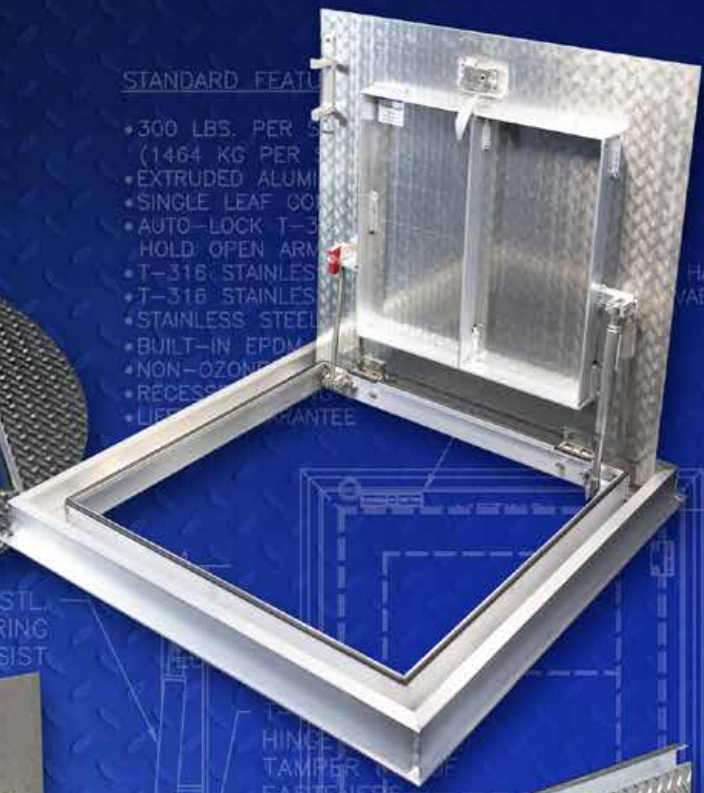
Access Doors and Options



STANDARD FEATURES

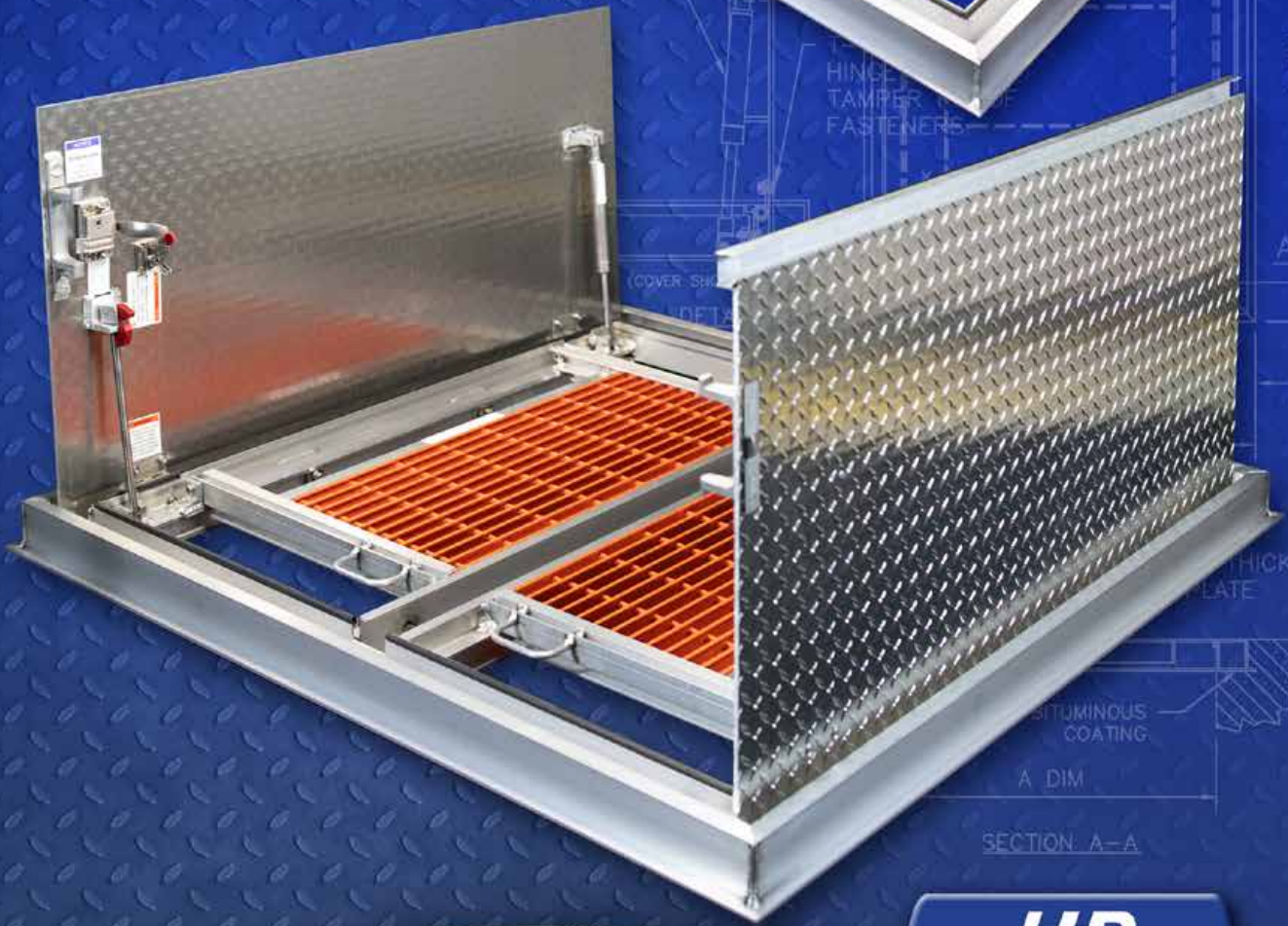
- 300 LBS. PER SQ. FT. (1464 KG PER SQ. M.)
- EXTRUDED ALUMINUM
- SINGLE LEAF COVER
- AUTO-LOCK T-3
- HOLD OPEN ARM
- T-316 STAINLESS
- T-316 STAINLESS
- STAINLESS STEEL
- BUILT-IN EPDM
- NON-OZONING
- RECESSED
- LIFE-TIME WARRANTY

S.S.T.L.
SPRING
ASSIST



HARDWARE
REMOVABLE KEY

HINGE
TAMPER
FASTENERS



C DIM
A DIM + 7 1/2" (190 MM)

3-3/4"
(95 MM)
TYP.

THICK ALUM.
PLATE

BITUMINOUS
COATING

SECTION A-A



Series W1S Access Door

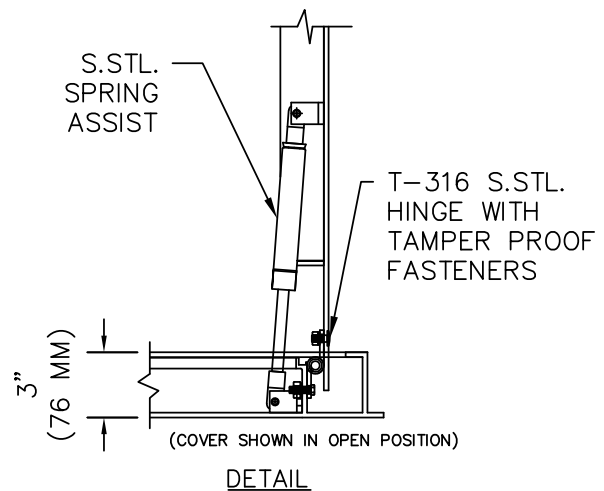
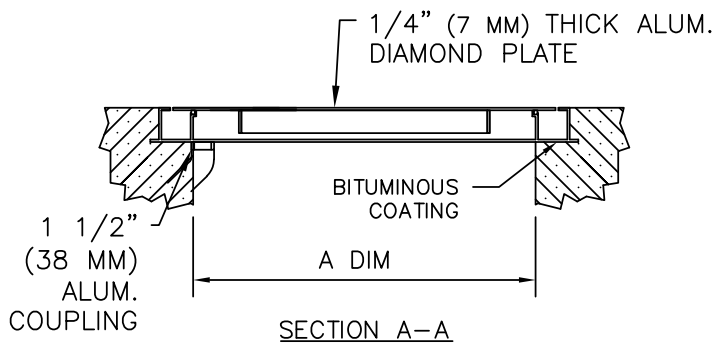
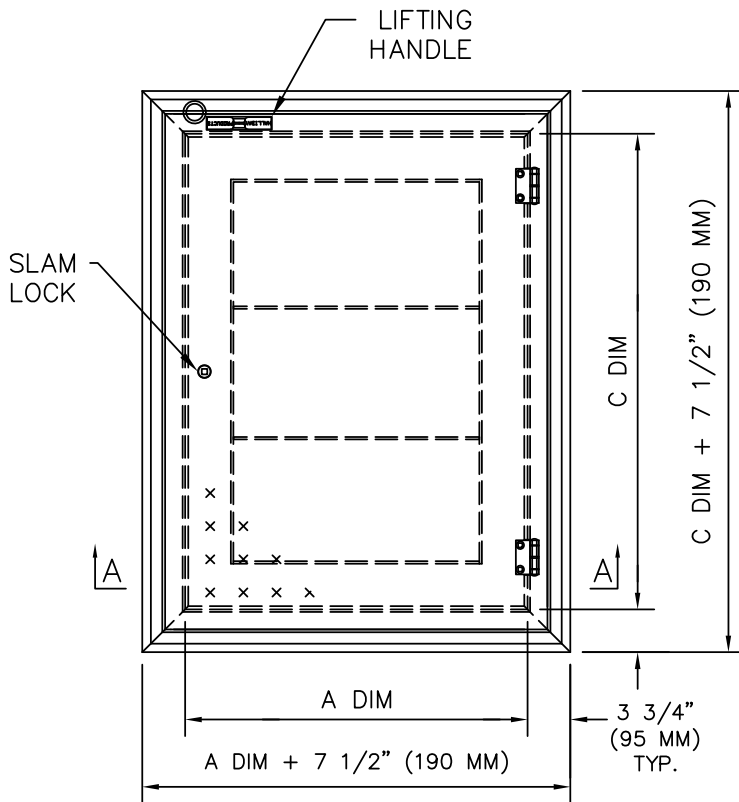


STANDARD FEATURES:

- 300 LBS. PER SQ. FT. LOAD RATING (1464 KG PER SQ. METER LOAD RATING)
- EXTRUDED ALUMINUM CHANNEL FRAME
- SINGLE LEAF CONSTRUCTION
- AUTO-LOCK T-316 STAINLESS STEEL HOLD OPEN ARM WITH RELEASE HANDLE
- T-316 STAINLESS STEEL HINGES AND ATTACHING HARDWARE
- T-316 STAINLESS STEEL SLAM LOCK WITH REMOVABLE KEY
- STAINLESS STEEL COMPRESSION SPRING ASSIST
- BUILT-IN EPDM CUSHION/GASKET
- NON-OZONE DEPLETING BITUMINOUS COATING
- RECESSED LIFTING HANDLE
- LIFETIME GUARANTEE

STANDARD SIZES

| QTY. | MODEL NO. | A DIM INCHES (MM) | C DIM INCHES (MM) | UNIT WT. LBS. (KG) |
|------|-----------|-------------------|-------------------|--------------------|
| | W1S2424 | 24 (610) | 24 (610) | 46 (20) |
| | W1S2430 | 24 (610) | 30 (762) | 51 (23) |
| | W1S2436 | 24 (610) | 36 (914) | 61 (28) |
| | W1S2442 | 24 (610) | 42 (1067) | 77 (35) |
| | W1S2448 | 24 (610) | 48 (1219) | 85 (39) |
| | W1S3030 | 30 (762) | 30 (762) | 62 (28) |
| | W1S3036 | 30 (762) | 36 (914) | 69 (31) |
| | W1S3042 | 30 (762) | 42 (1067) | 77 (35) |
| | W1S3048 | 30 (762) | 48 (1219) | 85 (39) |
| | W1S3054 | 30 (762) | 54 (1372) | 99 (45) |
| | W1S3060 | 30 (762) | 60 (1524) | 102 (46) |
| | W1S3636 | 36 (914) | 36 (914) | 78 (35) |
| | W1S3642 | 36 (914) | 42 (1067) | 89 (40) |
| | W1S3648 | 36 (914) | 48 (1219) | 97 (44) |
| | W1S3654 | 36 (914) | 54 (1372) | 107 (49) |
| | W1S3660 | 36 (914) | 60 (1524) | 116 (53) |
| | W1S3666 | 36 (914) | 66 (1676) | 126 (57) |
| | W1S3672 | 36 (914) | 72 (1829) | 135 (61) |
| | W1S4242 | 42 (1067) | 42 (1067) | 108 (49) |
| | | | | |
| | | | | |
| | | | | |



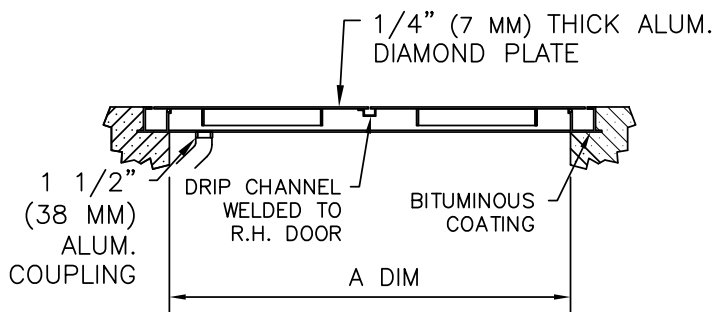
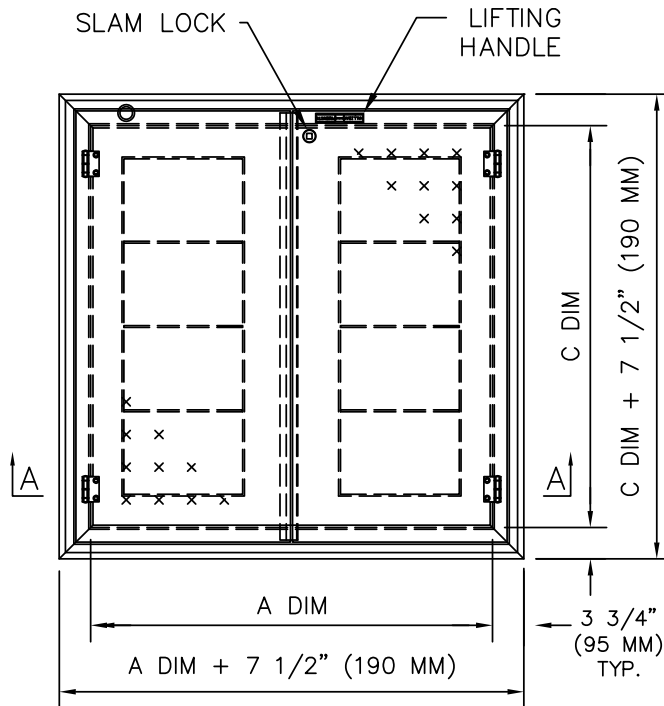
Series W2S Access Door

STANDARD FEATURES:

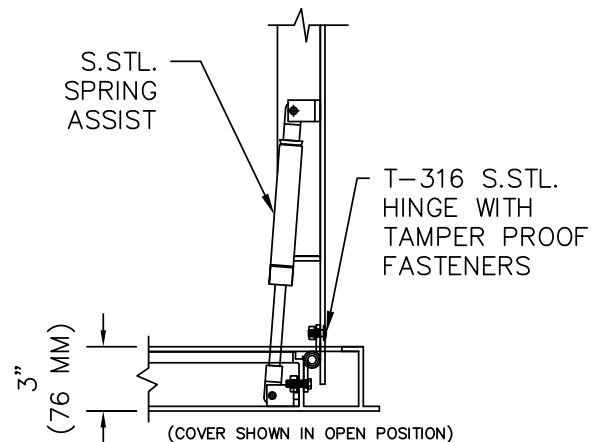
- 300 LBS. PER SQ. FT. LOAD RATING (1464 KG PER SQ. METER LOAD RATING)
- EXTRUDED ALUMINUM CHANNEL FRAME
- DOUBLE LEAF CONSTRUCTION
- AUTO-LOCK T-316 STAINLESS STEEL HOLD OPEN ARM WITH RELEASE HANDLE
- T-316 STAINLESS STEEL HINGES AND ATTACHING HARDWARE
- T-316 STAINLESS STEEL SLAM LOCK WITH REMOVABLE KEY
- STAINLESS STEEL COMPRESSION SPRING ASSIST
- BUILT-IN EPDM CUSHION/GASKET
- NON-OZONE DEPLETING BITUMINOUS COATING
- RECESSED LIFTING HANDLE
- LIFETIME GUARANTEE

STANDARD SIZES

| QTY. | MODEL NO. | A DIM INCHES (MM) | C DIM INCHES (MM) | UNIT WT. LBS. (KG) |
|------|-----------|-------------------|-------------------|--------------------|
| | W2S4242 | 42 (1067) | 42 (1067) | 108 (48) |
| | W2S4842 | 48 (1219) | 42 (1067) | 115 (52) |
| | W2S4848 | 48 (1219) | 48 (1219) | 126 (57) |
| | W2S5442 | 54 (1372) | 42 (1067) | 124 (56) |
| | W2S5448 | 54 (1372) | 48 (1219) | 136 (62) |
| | W2S5454 | 54 (1372) | 54 (1372) | 149 (68) |
| | W2S6030 | 60 (1524) | 30 (762) | 102 (46) |
| | W2S6036 | 60 (1524) | 36 (914) | 116 (53) |
| | W2S6042 | 60 (1524) | 42 (1067) | 132 (60) |
| | W2S6048 | 60 (1524) | 48 (1219) | 148 (67) |
| | W2S6054 | 60 (1524) | 54 (1372) | 162 (73) |
| | W2S6060 | 60 (1524) | 60 (1524) | 177 (80) |
| | W2S6636 | 66 (1676) | 36 (914) | 126 (57) |
| | W2S6648 | 66 (1676) | 48 (1219) | 160 (73) |
| | W2S7236 | 72 (1829) | 36 (914) | 135 (61) |
| | W2S7242 | 72 (1829) | 42 (1067) | 154 (70) |
| | W2S7248 | 72 (1829) | 48 (1219) | 171 (78) |
| | W2S7254 | 72 (1829) | 54 (1372) | 188 (85) |
| | W2S7260 | 72 (1829) | 60 (1524) | 203 (92) |
| | | | | |
| | | | | |



SECTION A-A



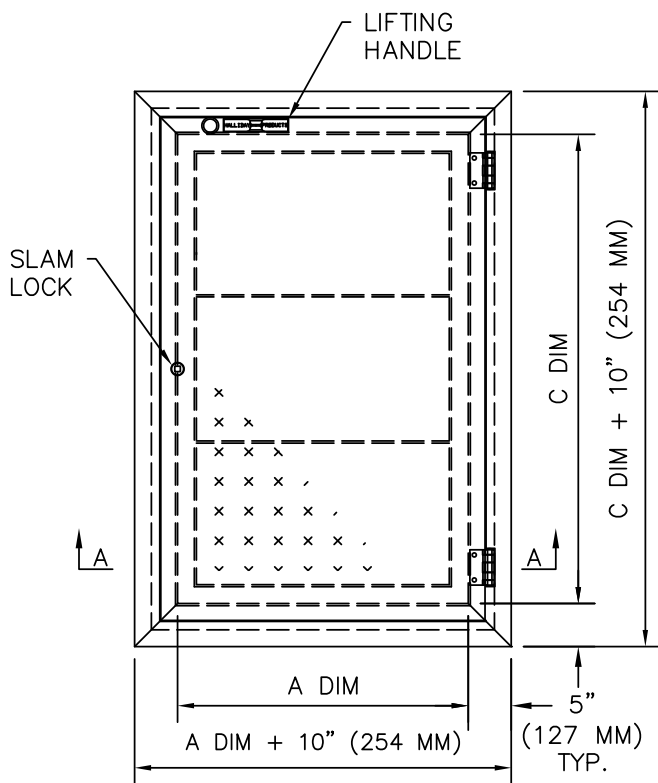
DETAIL

Series W1C Access Door

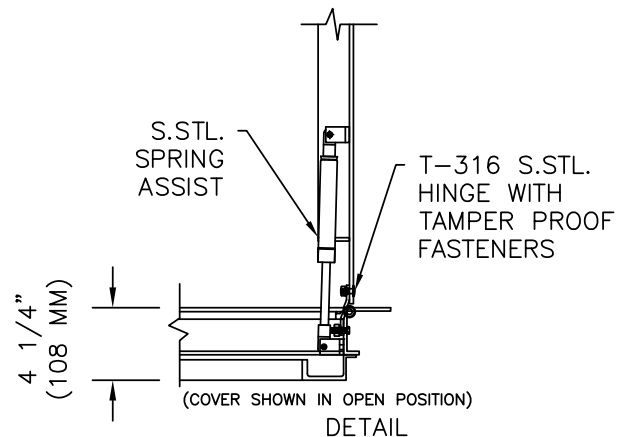
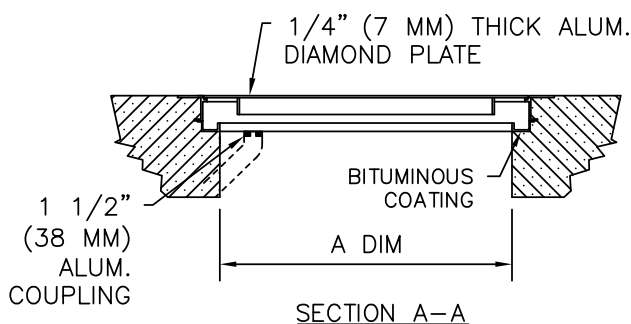


STANDARD FEATURES:

- 300 LBS. PER SQ. FT. LOAD RATING
(1464 KG PER SQ. METER LOAD RATING)
- EXTRUDED ALUMINUM CHANNEL FRAME
- SINGLE LEAF CONSTRUCTION
- AUTO-LOCK T-316 STAINLESS STEEL
HOLD OPEN ARM WITH RELEASE HANDLE
- T-316 STAINLESS STEEL HINGES AND ATTACHING HARDWARE
- T-316 STAINLESS STEEL SLAM LOCK WITH REMOVABLE KEY
- STAINLESS STEEL COMPRESSION SPRING ASSIST
- BUILT-IN EPDM CUSHION/GASKET
- NON-OZONE DEPLETING BITUMINOUS COATING
- RECESSED LIFTING HANDLE
- LIFETIME GUARANTEE



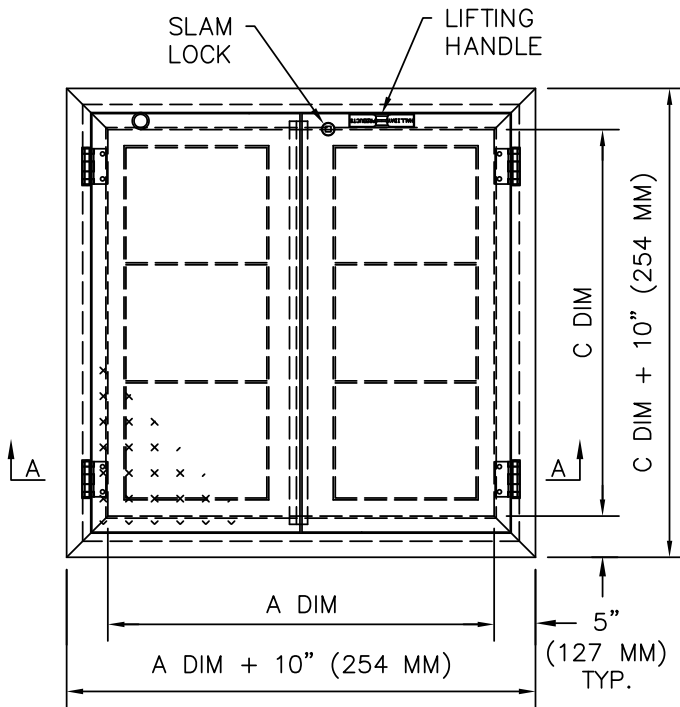
| STANDARD SIZES | | | | |
|----------------|-----------|-------------------|-------------------|--------------------|
| QTY. | MODEL NO. | A DIM INCHES (MM) | C DIM INCHES (MM) | UNIT WT. LBS. (KG) |
| | W1C2424 | 24 (610) | 24 (610) | 57 (26) |
| | W1C2430 | 24 (610) | 30 (762) | 64 (29) |
| | W1C2436 | 24 (610) | 36 (914) | 72 (33) |
| | W1C2442 | 24 (610) | 42 (1067) | 80 (36) |
| | W1C2448 | 24 (610) | 48 (1219) | 88 (40) |
| | W1C3030 | 30 (762) | 30 (762) | 73 (33) |
| | W1C3036 | 30 (762) | 36 (914) | 82 (37) |
| | W1C3042 | 30 (762) | 42 (1067) | 90 (41) |
| | W1C3048 | 30 (762) | 48 (1219) | 100 (45) |
| | W1C3054 | 30 (762) | 54 (1372) | 108 (49) |
| | W1C3060 | 30 (762) | 60 (1524) | 116 (53) |
| | W1C3636 | 36 (914) | 36 (914) | 91 (41) |
| | W1C3642 | 36 (914) | 42 (1067) | 101 (46) |
| | W1C3648 | 36 (914) | 48 (1219) | 111 (50) |
| | W1C3654 | 36 (914) | 54 (1372) | 120 (54) |
| | W1C3660 | 36 (914) | 60 (1524) | 130 (59) |
| | W1C3666 | 36 (914) | 66 (1676) | 140 (64) |
| | W1C3672 | 36 (914) | 72 (1829) | 150 (68) |
| | W1C4242 | 42 (1067) | 42 (1067) | 113 (51) |
| | | | | |
| | | | | |



Series W2C Access Door

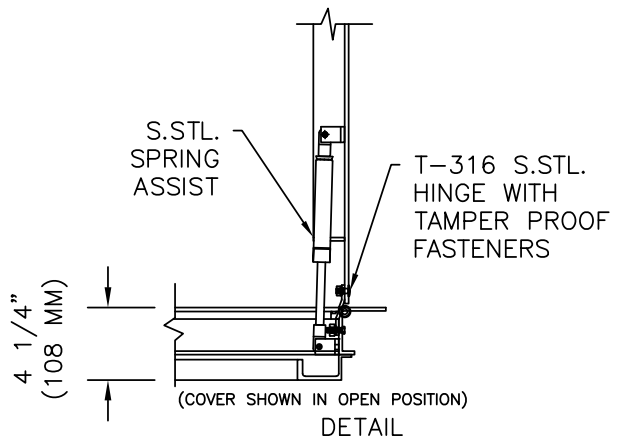
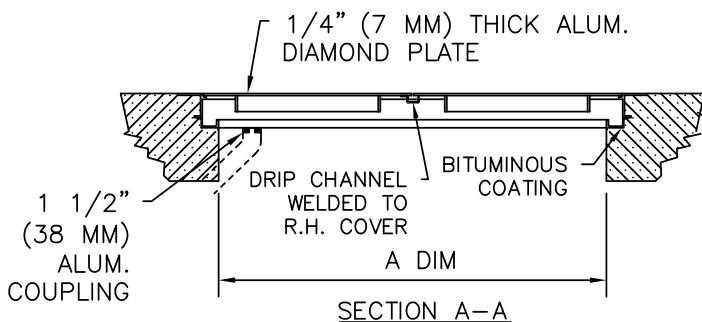
STANDARD FEATURES:

- 300 LBS. PER SQ. FT. LOAD RATING (1464 KG PER SQ. METER LOAD RATING)
- EXTRUDED ALUMINUM CHANNEL FRAME
- DOUBLE LEAF CONSTRUCTION
- AUTO-LOCK T-316 STAINLESS STEEL HOLD OPEN ARM WITH RELEASE HANDLE
- T-316 STAINLESS STEEL HINGES AND ATTACHING HARDWARE
- T-316 STAINLESS STEEL SLAM LOCK WITH REMOVABLE KEY
- STAINLESS STEEL COMPRESSION SPRING ASSIST
- BUILT-IN EPDM CUSHION/GASKET
- NON-OZONE DEPLETING BITUMINOUS COATING
- RECESSED LIFTING HANDLE
- LIFETIME GUARANTEE



STANDARD SIZES

| QTY. | MODEL NO. | A DIM INCHES (MM) | C DIM INCHES (MM) | UNIT WT. LBS. (KG) |
|------|-----------|-------------------|-------------------|--------------------|
| | W2C4242 | 42 (1067) | 42 (1067) | 119 (54) |
| | W2C4842 | 48 (1219) | 42 (1067) | 130 (59) |
| | W2C4848 | 48 (1219) | 48 (1219) | 142 (64) |
| | W2C5442 | 54 (1372) | 42 (1067) | 141 (64) |
| | W2C5448 | 54 (1372) | 48 (1219) | 154 (70) |
| | W2C5454 | 54 (1372) | 54 (1372) | 166 (75) |
| | W2C6030 | 60 (1524) | 30 (762) | 122 (55) |
| | W2C6036 | 60 (1524) | 36 (914) | 135 (61) |
| | W2C6042 | 60 (1524) | 42 (1067) | 151 (68) |
| | W2C6048 | 60 (1524) | 48 (1219) | 165 (75) |
| | W2C6054 | 60 (1524) | 54 (1372) | 179 (81) |
| | W2C6060 | 60 (1524) | 60 (1524) | 195 (88) |
| | W2C6636 | 66 (1676) | 36 (914) | 145 (66) |
| | W2C6648 | 66 (1676) | 48 (1219) | 177 (80) |
| | W2C7236 | 72 (1829) | 36 (914) | 154 (70) |
| | W2C7242 | 72 (1829) | 42 (1067) | 173 (78) |
| | W2C7248 | 72 (1829) | 48 (1219) | 188 (85) |
| | W2C7254 | 72 (1829) | 54 (1372) | 204 (92) |
| | W2C7260 | 72 (1829) | 60 (1524) | 222 (101) |
| | | | | |
| | | | | |

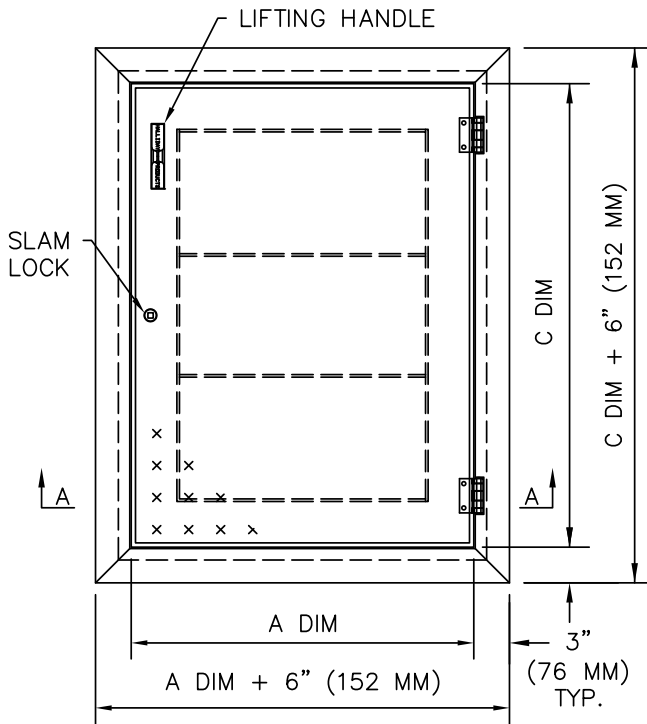


Series S1S Access Door

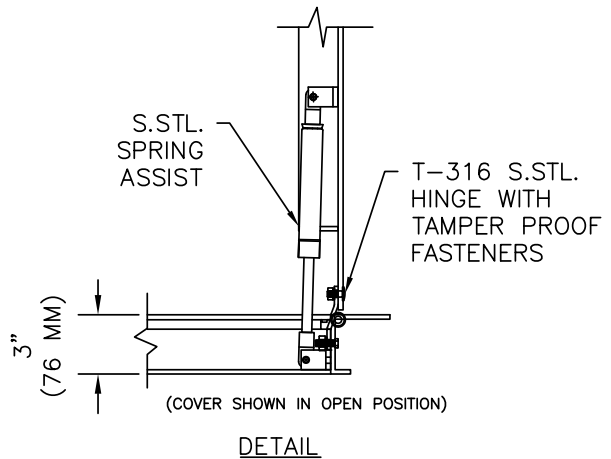
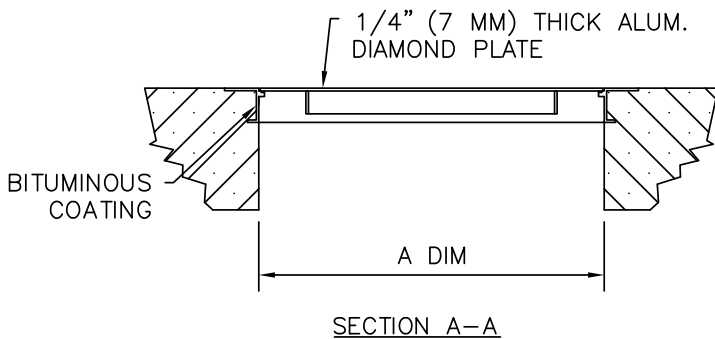


STANDARD FEATURES:

- 300 LBS. PER SQ. FT. LOAD RATING
(1464 KG PER SQ. METER LOAD RATING)
- EXTRUDED ALUMINUM ANGLE FRAME
- SINGLE LEAF CONSTRUCTION
- AUTO-LOCK T-316 STAINLESS STEEL
HOLD OPEN ARM WITH RELEASE HANDLE
- T-316 STAINLESS STEEL HINGES AND ATTACHING HARDWARE
- T-316 STAINLESS STEEL SLAM LOCK WITH REMOVABLE KEY
- STAINLESS STEEL COMPRESSION SPRING ASSIST
- BUILT-IN EPDM CUSHION/GASKET
- NON-OZONE DEPLETING BITUMINOUS COATING
- RECESSED LIFTING HANDLE
- LIFETIME GUARANTEE



| STANDARD SIZES | | | | |
|----------------|-----------|-------------------|-------------------|--------------------|
| QTY. | MODEL NO. | A DIM INCHES (MM) | C DIM INCHES (MM) | UNIT WT. LBS. (KG) |
| | S1S2424 | 24 (610) | 24 (610) | 37 (17) |
| | S1S2430 | 24 (610) | 30 (762) | 42 (19) |
| | S1S2436 | 24 (610) | 36 (914) | 48 (22) |
| | S1S2442 | 24 (610) | 42 (1067) | 55 (25) |
| | S1S2448 | 24 (610) | 48 (1219) | 61 (28) |
| | S1S3030 | 30 (762) | 30 (762) | 49 (22) |
| | S1S3036 | 30 (762) | 36 (914) | 57 (26) |
| | S1S3042 | 30 (762) | 42 (1067) | 64 (29) |
| | S1S3048 | 30 (762) | 48 (1219) | 71 (32) |
| | S1S3054 | 30 (762) | 54 (1372) | 79 (36) |
| | S1S3060 | 30 (762) | 60 (1524) | 87 (39) |
| | S1S3636 | 36 (914) | 36 (914) | 65 (25) |
| | S1S3642 | 36 (914) | 42 (1067) | 79 (36) |
| | S1S3648 | 36 (914) | 48 (1219) | 85 (39) |
| | S1S3654 | 36 (914) | 54 (1372) | 91 (41) |
| | S1S3660 | 36 (914) | 60 (1524) | 100 (45) |
| | S1S3666 | 36 (914) | 66 (1676) | 109 (49) |
| | S1S3672 | 36 (914) | 72 (1829) | 116 (53) |
| | S1S4242 | 42 (1067) | 42 (1067) | 93 (42) |
| | | | | |
| | | | | |

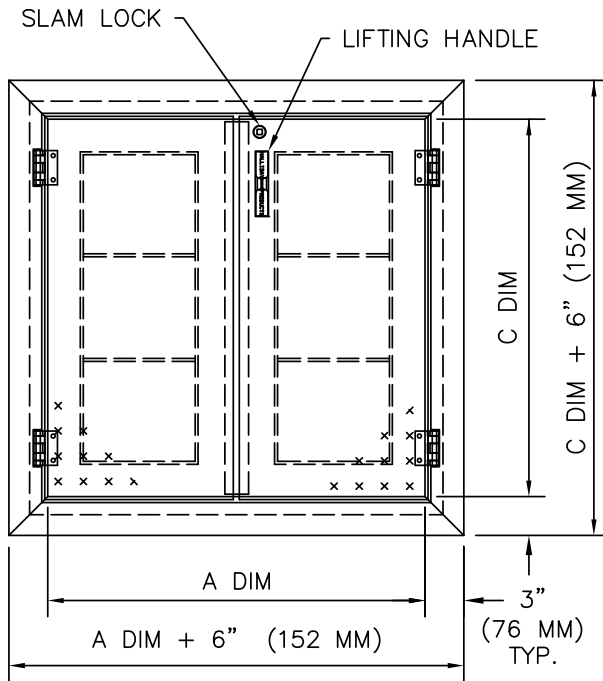


Series S2S Access Door

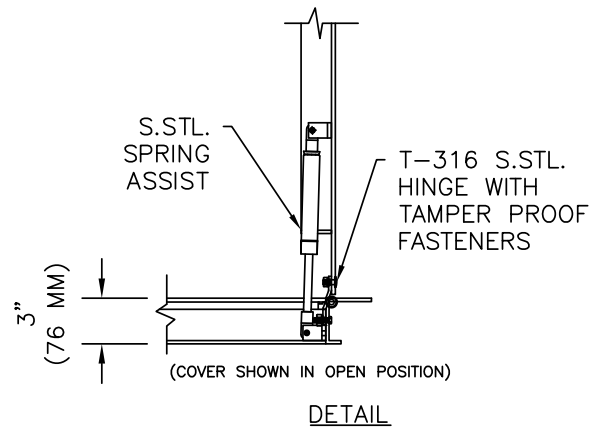
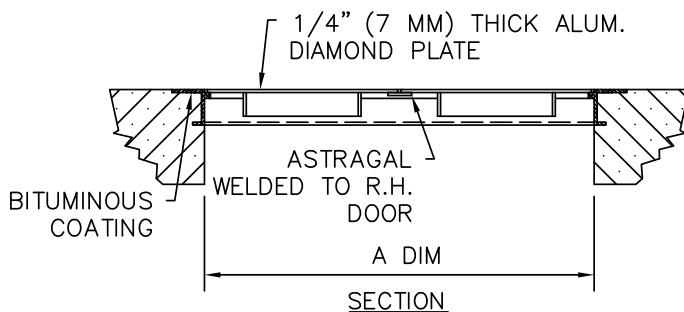


STANDARD FEATURES:

- 300 LBS. PER SQ. FT. LOAD RATING (1464 KG PER SQ. METER LOAD RATING)
- EXTRUDED ALUMINUM ANGLE FRAME
- DOUBLE LEAF CONSTRUCTION
- AUTO-LOCK T-316 STAINLESS STEEL HOLD OPEN ARM WITH RELEASE HANDLE
- T-316 STAINLESS STEEL HINGES AND ATTACHING HARDWARE
- T-316 STAINLESS STEEL SLAM LOCK WITH REMOVABLE KEY
- STAINLESS STEEL COMPRESSION SPRING ASSIST
- BUILT-IN EPDM CUSHION/GASKET
- NON-OZONE DEPLETING BITUMINOUS COATING
- RECESSED LIFTING HANDLE
- LIFETIME GUARANTEE



| STANDARD SIZES | | | | |
|----------------|-----------|-------------------|-------------------|--------------------|
| QTY. | MODEL NO. | A DIM INCHES (MM) | C DIM INCHES (MM) | UNIT WT. LBS. (KG) |
| | S2S4242 | 42 (1067) | 42 (1067) | 93 (42) |
| | S2S4842 | 48 (1219) | 42 (1067) | 99 (45) |
| | S2S4848 | 48 (1219) | 48 (1219) | 110 (50) |
| | S2S5442 | 54 (1372) | 42 (1067) | 108 (49) |
| | S2S5448 | 54 (1372) | 48 (1219) | 119 (54) |
| | S2S5454 | 54 (1372) | 54 (1372) | 127 (58) |
| | S2S6030 | 60 (1524) | 30 (762) | 87 (39) |
| | S2S6036 | 60 (1524) | 36 (914) | 100 (45) |
| | S2S6042 | 60 (1524) | 42 (1067) | 115 (52) |
| | S2S6048 | 60 (1524) | 48 (1219) | 130 (59) |
| | S2S6054 | 60 (1524) | 54 (1372) | 143 (65) |
| | S2S6060 | 60 (1524) | 60 (1524) | 158 (72) |
| | S2S6636 | 66 (1676) | 36 (914) | 109 (49) |
| | S2S6648 | 66 (1676) | 48 (1219) | 141 (64) |
| | S2S7236 | 72 (1829) | 36 (914) | 116 (53) |
| | S2S7242 | 72 (1829) | 42 (1067) | 135 (61) |
| | S2S7248 | 72 (1829) | 48 (1219) | 151 (68) |
| | S2S7254 | 72 (1829) | 54 (1372) | 168 (76) |
| | S2S7260 | 72 (1829) | 60 (1524) | 178 (81) |
| | | | | |
| | | | | |



Series W1R Access Door

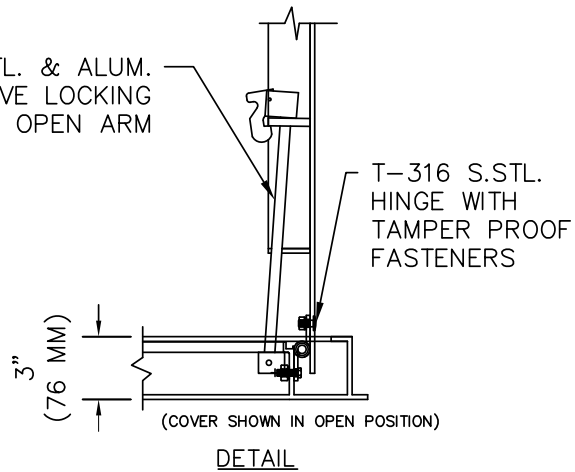
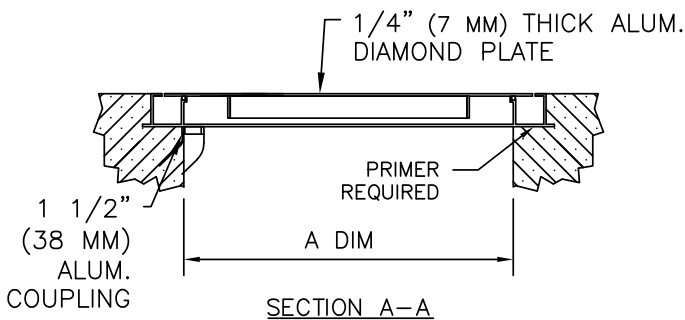
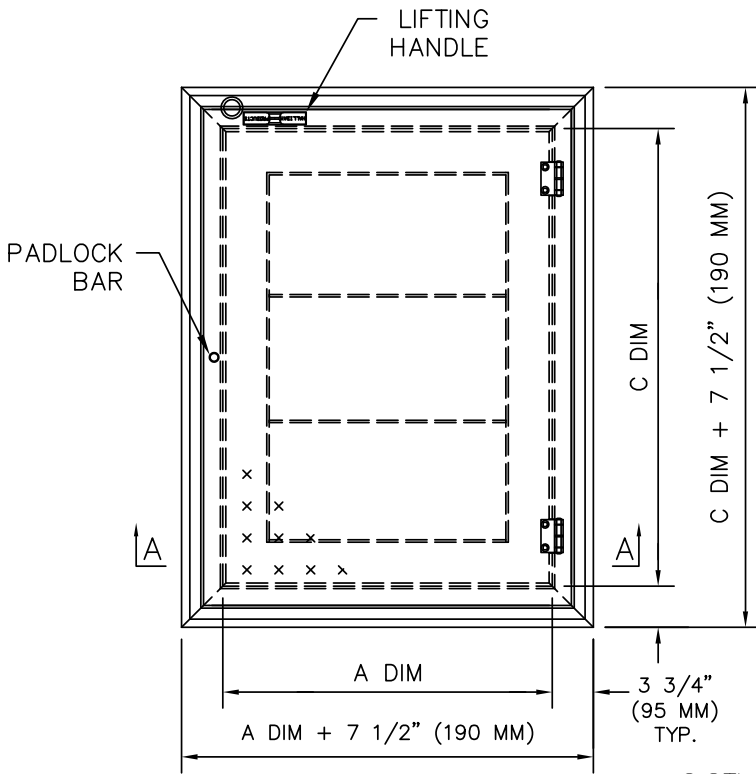


STANDARD FEATURES:

- 300 LBS. PER SQ. FT. LOAD RATING (1464 KG PER SQ. METER LOAD RATING)
- EXTRUDED ALUMINUM CHANNEL FRAME
- SINGLE LEAF CONSTRUCTION
- AUTO-LOCK T-316 STAINLESS STEEL HOLD OPEN ARM WITH RELEASE HANDLE
- T-316 STAINLESS STEEL HINGES AND ATTACHING HARDWARE
- NON-CORROSIVE PADLOCK BAR
- RECESSED LIFTING HANDLE
- LIFETIME GUARANTEE

STANDARD SIZES

| QTY. | MODEL NO. | A DIM INCHES (MM) | C DIM INCHES (MM) | UNIT WT. LBS. (KG) |
|------|-----------|-------------------|-------------------|--------------------|
| | W1R2424 | 24 (610) | 24 (610) | 46 (20) |
| | W1R2430 | 24 (610) | 30 (762) | 51 (23) |
| | W1R2436 | 24 (610) | 36 (914) | 61 (28) |
| | W1R2442 | 24 (610) | 42 (1067) | 77 (35) |
| | W1R2448 | 24 (610) | 48 (1219) | 85 (39) |
| | W1R3030 | 30 (762) | 30 (762) | 62 (28) |
| | W1R3036 | 30 (762) | 36 (914) | 69 (31) |
| | W1R3042 | 30 (762) | 42 (1067) | 77 (35) |
| | W1R3048 | 30 (762) | 48 (1219) | 85 (39) |
| | W1R3054 | 30 (762) | 54 (1372) | 99 (45) |
| | W1R3060 | 30 (762) | 60 (1524) | 102 (46) |
| | W1R3636 | 36 (914) | 36 (914) | 78 (35) |
| | W1R3642 | 36 (914) | 42 (1067) | 89 (40) |
| | W1R3648 | 36 (914) | 48 (1219) | 97 (44) |
| | W1R3654 | 36 (914) | 54 (1372) | 107 (49) |
| | W1R3660 | 36 (914) | 60 (1524) | 116 (53) |
| | W1R3666 | 36 (914) | 66 (1676) | 126 (57) |
| | W1R3672 | 36 (914) | 72 (1829) | 135 (61) |
| | W1R4242 | 42 (1067) | 42 (1067) | 108 (49) |

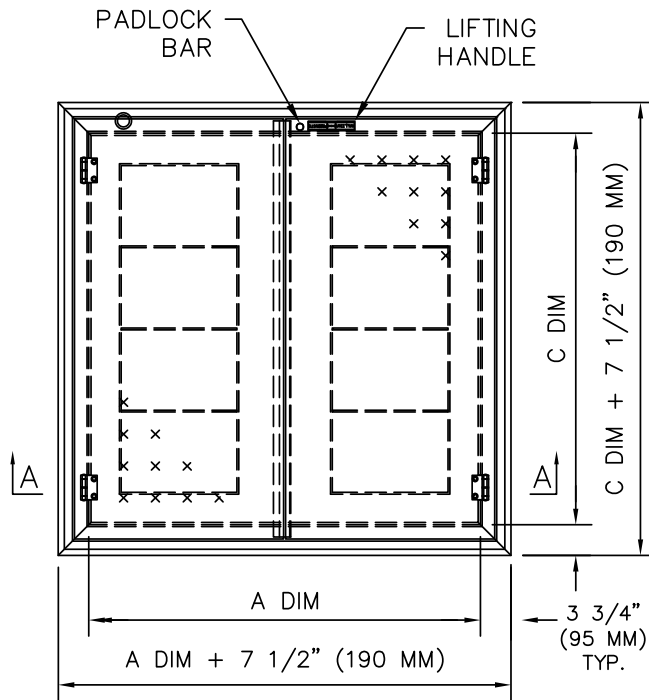


Series W2R Access Door

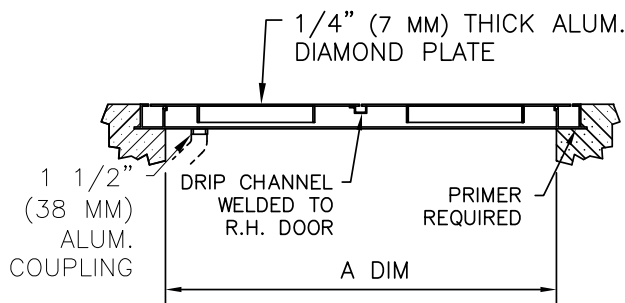


STANDARD FEATURES:

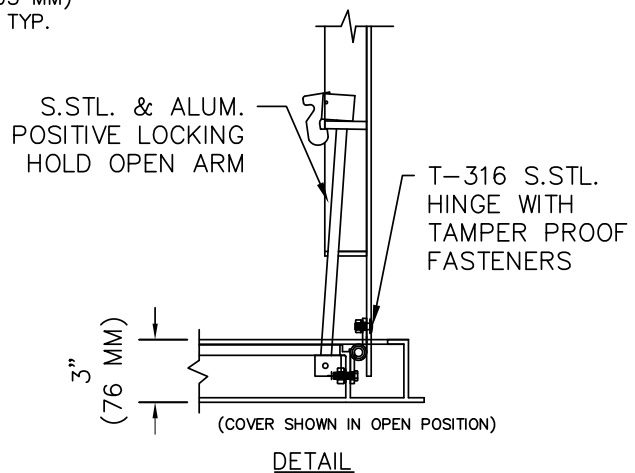
- 300 LBS. PER SQ. FT. LOAD RATING
(1464 KG PER SQ. METER LOAD RATING)
- EXTRUDED ALUMINUM CHANNEL FRAME
- DOUBLE LEAF CONSTRUCTION
- AUTO-LOCK T-316 STAINLESS STEEL HOLD OPEN ARM WITH RELEASE HANDLE
- T-316 STAINLESS STEEL HINGES AND ATTACHING HARDWARE
- NON-CORROSIVE PADLOCK BAR
- RECESSED LIFTING HANDLE
- LIFETIME GUARANTEE



| STANDARD SIZES | | | | |
|----------------|-----------|-------------------|-------------------|--------------------|
| QTY. | MODEL NO. | A DIM INCHES (MM) | C DIM INCHES (MM) | UNIT WT. LBS. (KG) |
| | W2R4242 | 42 (1067) | 42 (1067) | 108 (48) |
| | W2R4842 | 48 (1219) | 42 (1067) | 115 (52) |
| | W2R4848 | 48 (1219) | 48 (1219) | 126 (57) |
| | W2R5442 | 54 (1372) | 42 (1067) | 124 (56) |
| | W2R5448 | 54 (1372) | 48 (1219) | 136 (62) |
| | W2R5454 | 54 (1372) | 54 (1372) | 149 (68) |
| | W2R6030 | 60 (1524) | 30 (762) | 102 (46) |
| | W2R6036 | 60 (1524) | 36 (914) | 116 (53) |
| | W2R6042 | 60 (1524) | 42 (1067) | 132 (60) |
| | W2R6048 | 60 (1524) | 48 (1219) | 148 (67) |
| | W2R6054 | 60 (1524) | 54 (1372) | 162 (73) |
| | W2R6060 | 60 (1524) | 60 (1524) | 177 (80) |
| | W2R6636 | 66 (1676) | 36 (914) | 126 (57) |
| | W2R6648 | 66 (1676) | 48 (1219) | 160 (73) |
| | W2R7236 | 72 (1829) | 36 (914) | 135 (61) |
| | W2R7242 | 72 (1829) | 42 (1067) | 154 (70) |
| | W2R7248 | 72 (1829) | 48 (1219) | 171 (78) |
| | W2R7254 | 72 (1829) | 54 (1372) | 188 (85) |
| | W2R7260 | 72 (1829) | 60 (1524) | 203 (92) |



SECTION A-A



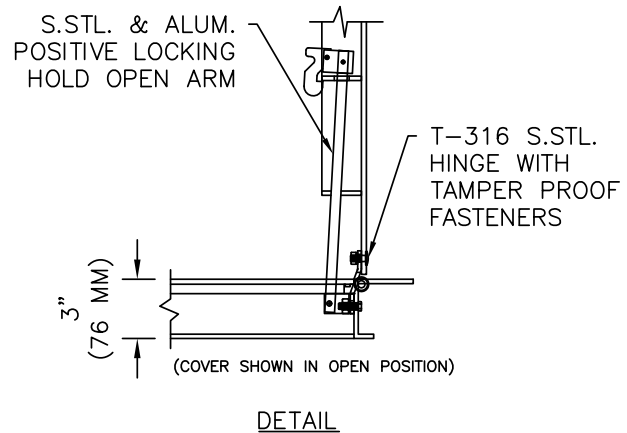
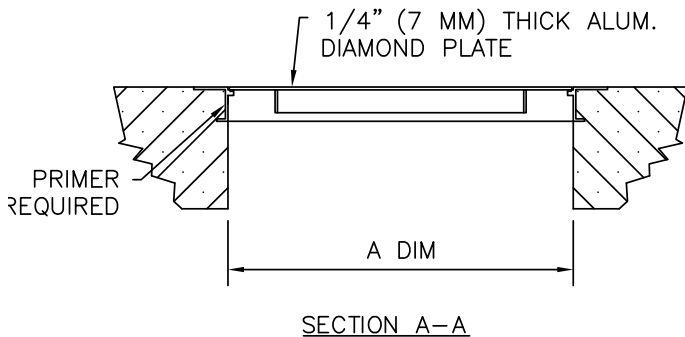
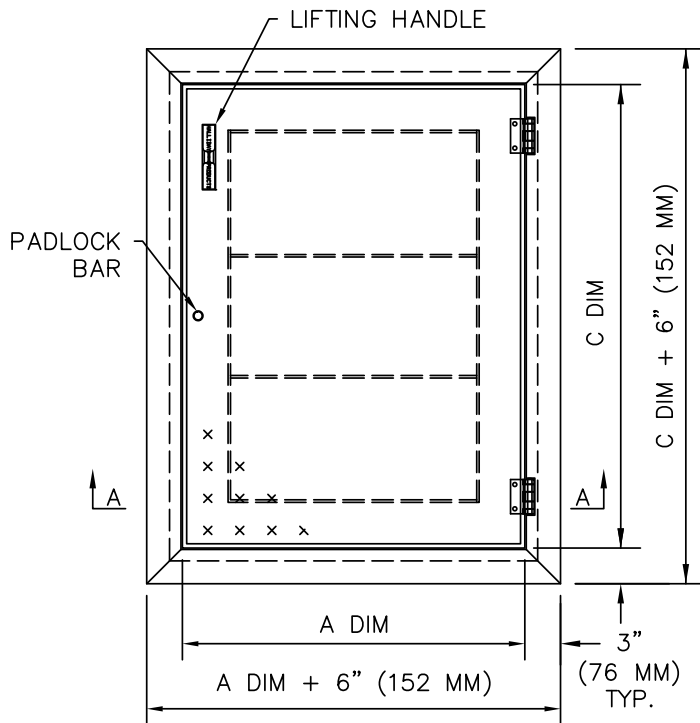
Series S1R Access Door



STANDARD FEATURES:

- 300 LBS. PER SQ. FT. LOAD RATING
(1464 KG PER SQ. METER LOAD RATING)
- EXTRUDED ALUMINUM ANGLE FRAME
- SINGLE LEAF CONSTRUCTION
- AUTO-LOCK T-316 STAINLESS STEEL
HOLD OPEN ARM WITH RELEASE HANDLE
- T-316 STAINLESS STEEL HINGES AND ATTACHING HARDWARE
- NON-CORROSIVE PADLOCK BAR
- RECESSED LIFTING HANDLE
- LIFETIME GUARANTEE

| STANDARD SIZES | | | | |
|----------------|-----------|-------------------|-------------------|--------------------|
| QTY. | MODEL NO. | A DIM INCHES (MM) | C DIM INCHES (MM) | UNIT WT. LBS. (KG) |
| | S1R2424 | 24 (610) | 24 (610) | 37 (17) |
| | S1R2430 | 24 (610) | 30 (762) | 42 (19) |
| | S1R2436 | 24 (610) | 36 (914) | 48 (22) |
| | S1R2442 | 24 (610) | 42 (1067) | 55 (25) |
| | S1R2448 | 24 (610) | 48 (1219) | 61 (28) |
| | S1R3030 | 30 (762) | 30 (762) | 49 (22) |
| | S1R3036 | 30 (762) | 36 (914) | 57 (26) |
| | S1R3042 | 30 (762) | 42 (1067) | 64 (29) |
| | S1R3048 | 30 (762) | 48 (1219) | 71 (32) |
| | S1R3054 | 30 (762) | 54 (1372) | 79 (36) |
| | S1R3060 | 30 (762) | 60 (1524) | 87 (39) |
| | S1R3636 | 36 (914) | 36 (914) | 65 (25) |
| | S1R3642 | 36 (914) | 42 (1067) | 79 (36) |
| | S1R3648 | 36 (914) | 48 (1219) | 85 (39) |
| | S1R3654 | 36 (914) | 54 (1372) | 91 (41) |
| | S1R3660 | 36 (914) | 60 (1524) | 100 (45) |
| | S1R3666 | 36 (914) | 66 (1676) | 109 (49) |
| | S1R3672 | 36 (914) | 72 (1829) | 116 (53) |
| | S1R4242 | 42 (1067) | 42 (1067) | 93 (42) |
| | | | | |
| | | | | |



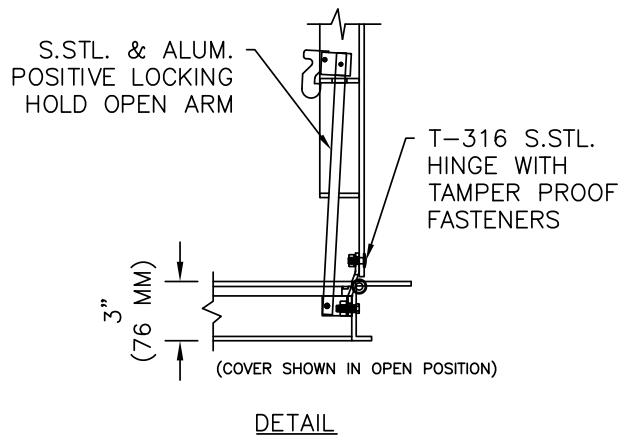
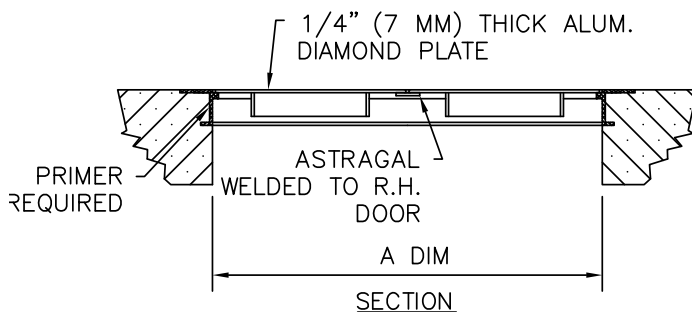
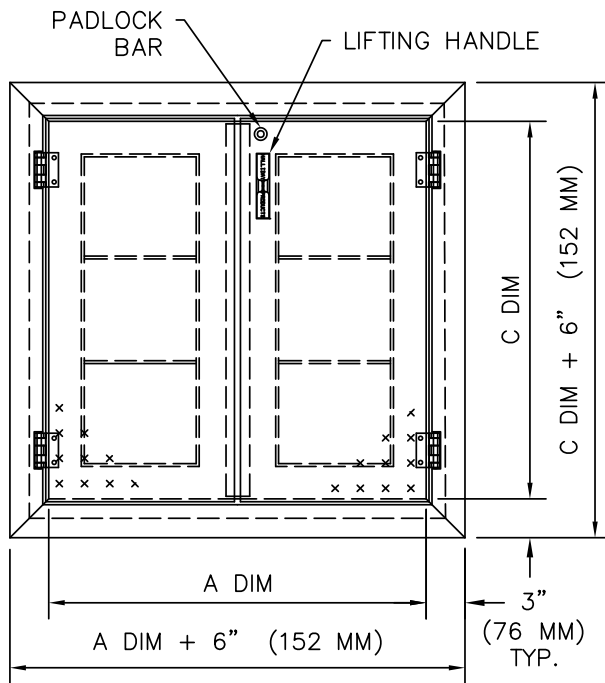
Series S2R Access Door



STANDARD FEATURES:

- 300 LBS. PER SQ. FT. LOAD RATING (1464 KG PER SQ. METER LOAD RATING)
- EXTRUDED ALUMINUM ANGLE FRAME
- DOUBLE LEAF CONSTRUCTION
- AUTO-LOCK T-316 STAINLESS STEEL HOLD OPEN ARM WITH RELEASE HANDLE
- T-316 STAINLESS STEEL HINGES AND ATTACHING HARDWARE
- NON-CORROSIVE PADLOCK BAR
- RECESSED LIFTING HANDLE
- LIFETIME GUARANTEE

| STANDARD SIZES | | | | |
|----------------|-----------|-------------------|-------------------|--------------------|
| QTY. | MODEL NO. | A DIM INCHES (MM) | C DIM INCHES (MM) | UNIT WT. LBS. (KG) |
| | S2R4242 | 42 (1067) | 42 (1067) | 93 (42) |
| | S2R4842 | 48 (1219) | 42 (1067) | 99 (45) |
| | S2R4848 | 48 (1219) | 48 (1219) | 110 (50) |
| | S2R5442 | 54 (1372) | 42 (1067) | 108 (49) |
| | S2R5448 | 54 (1372) | 48 (1219) | 119 (54) |
| | S2R5454 | 54 (1372) | 54 (1372) | 127 (58) |
| | S2R6030 | 60 (1524) | 30 (762) | 87 (39) |
| | S2R6036 | 60 (1524) | 36 (914) | 100 (45) |
| | S2R6042 | 60 (1524) | 42 (1067) | 115 (52) |
| | S2R6048 | 60 (1524) | 48 (1219) | 130 (59) |
| | S2R6054 | 60 (1524) | 54 (1372) | 143 (65) |
| | S2R6060 | 60 (1524) | 60 (1524) | 158 (72) |
| | S2R6636 | 66 (1676) | 36 (914) | 109 (49) |
| | S2R6648 | 66 (1676) | 48 (1219) | 141 (64) |
| | S2R7236 | 72 (1829) | 36 (914) | 116 (53) |
| | S2R7242 | 72 (1829) | 42 (1067) | 135 (61) |
| | S2R7248 | 72 (1829) | 48 (1219) | 151 (68) |
| | S2R7254 | 72 (1829) | 54 (1372) | 168 (76) |
| | S2R7260 | 72 (1829) | 60 (1524) | 178 (81) |
| | | | | |
| | | | | |



Series C1R Access Door



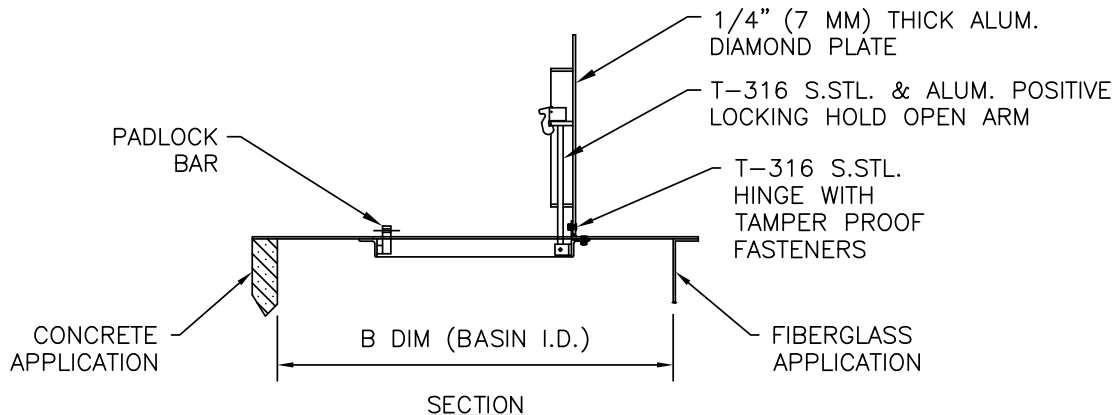
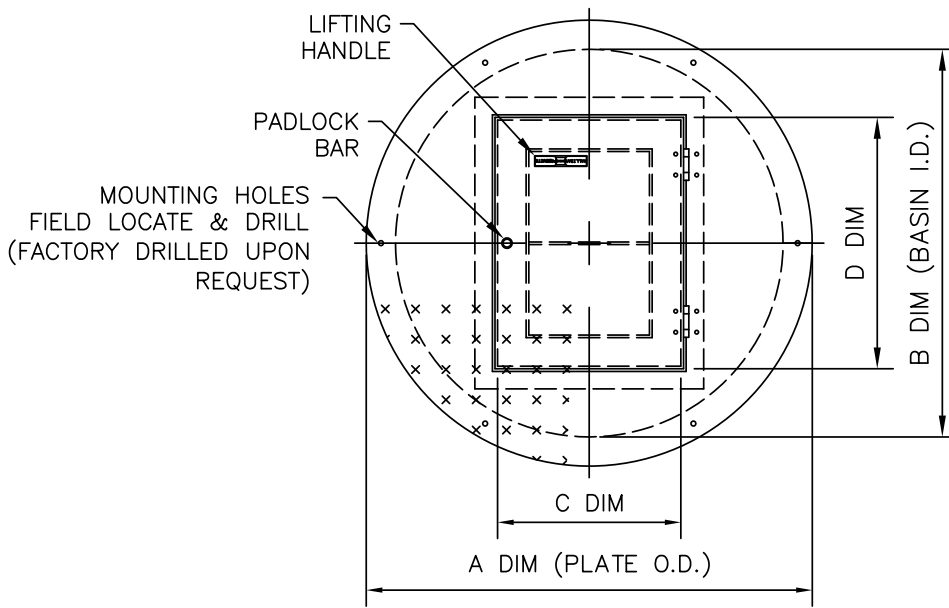
STANDARD FEATURES:

- 300 LBS. PER SQ. FT. LOAD RATING (1464 KG PER SQ. METER LOAD RATING)
- SINGLE LEAF CONSTRUCTION (ADDITIONAL LEAVES OPTIONAL)
- AUTO-LOCK T-316 STAINLESS STEEL HOLD OPEN ARM WITH RELEASE HANDLE
- T-316 STAINLESS STEEL HINGES AND ATTACHING HARDWARE
- NON-CORROSIVE PADLOCK BAR
- VENT COUPLING & MOUNTING HOLES UPON REQUEST
- RECESSED LIFTING HANDLE
- LIFETIME GUARANTEE
- LARGER SIZES AVAILABLE
- ALSO AVAILABLE FOR RECTANGULAR BASINS

| STANDARD SIZES | | | | | | |
|----------------|-----------|-------------------|-------------------|-------------------|-------------------|--------------------|
| QTY. | MODEL NO. | A DIM INCHES (MM) | B DIM INCHES (MM) | C DIM INCHES (MM) | D DIM INCHES (MM) | UNIT WT. LBS. (KG) |
| | C1R40 | 40 (1016) | 36 (914) | | | 45 (20) |
| | C1R52 | 52 (1320) | 48 (1219) | | | 80 (36) |
| | C1R64 | 64 (1626) | 60 (1524) | | | 125 (57) |
| | C1R76 | 76 (1930) | 72 (1829) | | | 180 (82) |

NOTES:

- 1) WHEN MOUNTING ON CONCRETE ADD A MINIMUM OF 2" TO THE "A" DIMENSION TO ENSURE PROPER EDGE DISTANCE FOR ANCHOR BOLTS (ANCHORS BY OTHERS)
- 2) C & D DIMENSIONS SIZED AS REQUIRED



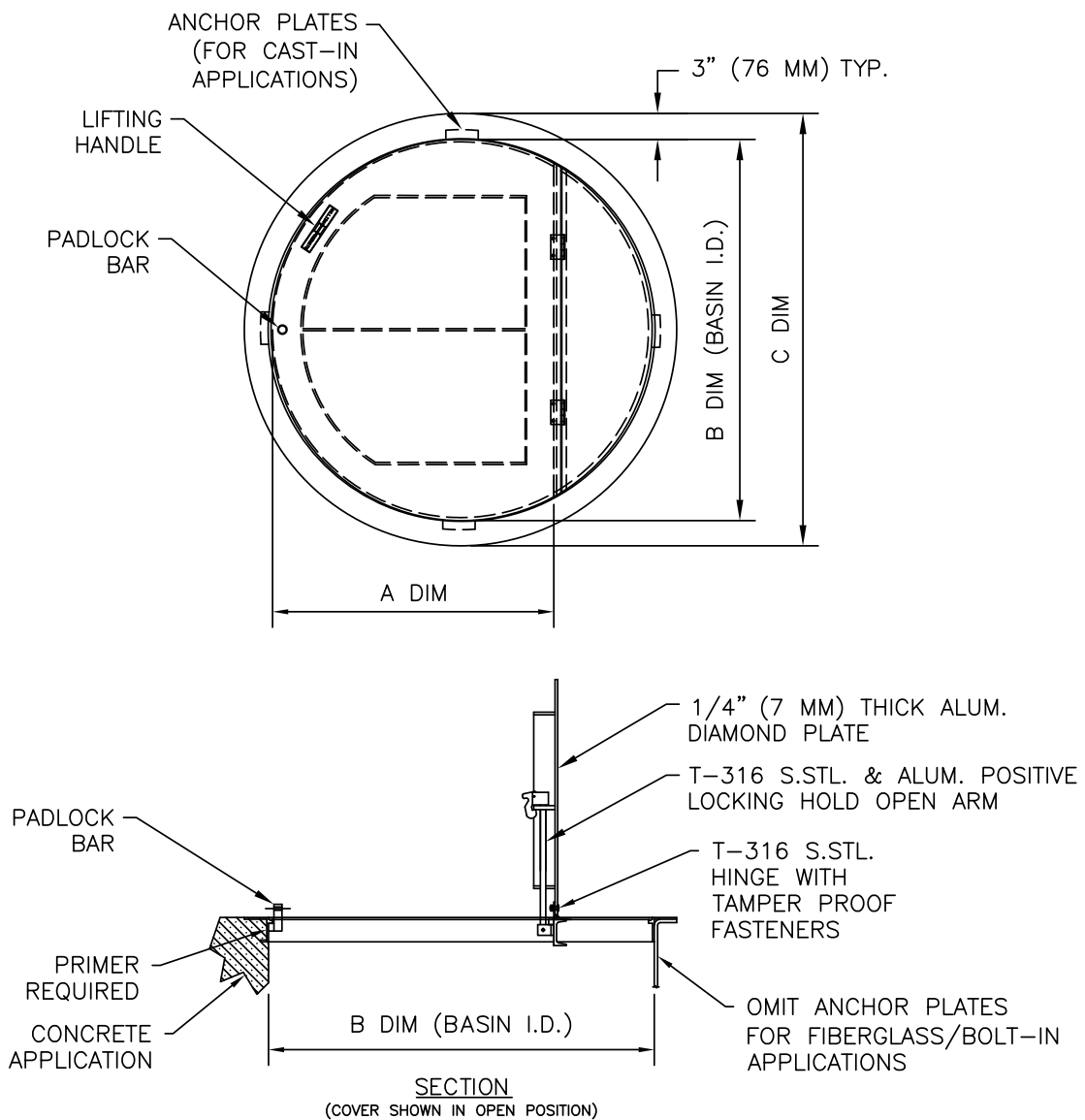
Series R1R Access Door



STANDARD FEATURES:

- 300 LBS. PER SQ. FT. LOAD RATING (1464 KG PER SQ. METER LOAD RATING)
- EXTRUDED ALUMINUM ANGLE FRAME
- SINGLE LEAF CONSTRUCTION FOR MAXIMUM ACCESS (TWO LEAF OPTIONAL)
- AUTO-LOCK T-316 STAINLESS STEEL HOLD OPEN ARM WITH RELEASE HANDLE
- T-316 STAINLESS STEEL HINGES AND ATTACHING HARDWARE
- NON-CORROSIVE PADLOCK BAR
- ANCHOR PLATES (ORDER WITHOUT FOR FIBERGLASS OR BOLT-IN APPLICATIONS)
- RECESSED LIFTING HANDLE
- LIFETIME GUARANTEE
- LARGER SIZES AVAILABLE

| STANDARD SIZES | | | | | |
|----------------|-----------|-------------------|-------------------|-------------------|--------------------|
| QTY. | MODEL NO. | A DIM INCHES (MM) | B DIM INCHES (MM) | C DIM INCHES (MM) | UNIT WT. LBS. (KG) |
| | R1R36 | 24 (610) | 36 (914) | 42 (1067) | 62 (28) |
| | R1R48 | 32 (813) | 48 (1219) | 54 (1372) | 86 (39) |
| | R1R60 | 40 (1016) | 60 (1524) | 66 (1676) | 136 (62) |
| | R1R72 | 48 (1219) | 72 (1829) | 78 (1981) | 175 (79) |

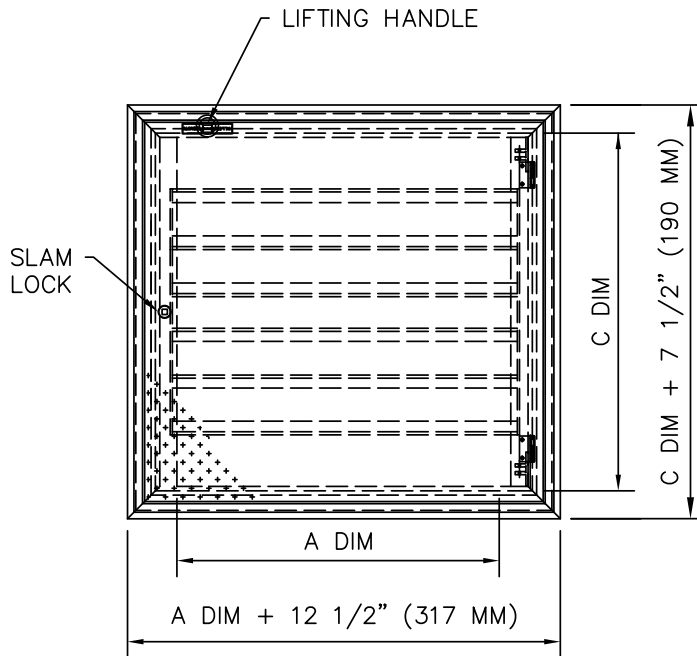


Series H1W Access Door



STANDARD FEATURES:

- H20 LOAD RATING (SEE NOTES)
- EXTRUDED ALUMINUM CHANNEL FRAME
- SINGLE LEAF CONSTRUCTION
- AUTO-LOCK T-316 STAINLESS STEEL HOLD OPEN ARM WITH RELEASE HANDLE
- T-316 STAINLESS STEEL HINGES AND ATTACHING HARDWARE
- T-316 STAINLESS STEEL SLAM LOCK WITH REMOVABLE KEY
- STAINLESS STEEL COMPRESSION SPRING ASSIST
- RECESSED LIFTING HANDLE
- LIFETIME GUARANTEE

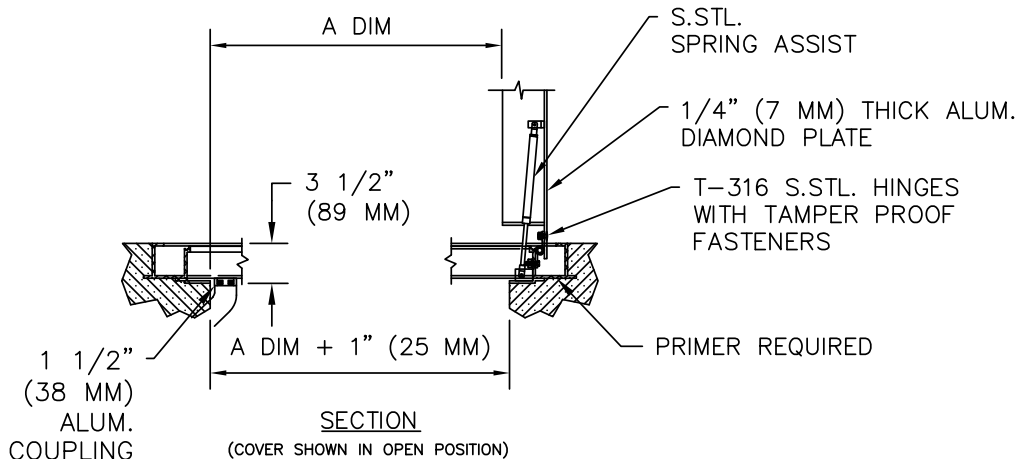


| STANDARD SIZES | | | | |
|----------------|-----------|-------------------|-------------------|--------------------|
| QTY. | MODEL NO. | A DIM INCHES (MM) | C DIM INCHES (MM) | UNIT WT. LBS. (KG) |
| | H1W2424 | 24 (610) | 24 (610) | 72 (33) |
| | H1W2430 | 24 (610) | 30 (762) | 90 (41) |
| | H1W2436 | 24 (610) | 36 (914) | 108 (49) |
| | H1W2442 | 24 (610) | 42 (1067) | 126 (57) |
| | H1W3030 | 30 (762) | 30 (762) | 113 (51) |
| | H1W3036 | 30 (762) | 36 (914) | 135 (61) |
| | H1W3042 | 30 (762) | 42 (1067) | 158 (72) |
| | H1W3048 | 30 (762) | 48 (1219) | 180 (82) |
| | H1W3636 | 36 (914) | 36 (914) | 162 (73) |
| | H1W3642 | 36 (914) | 42 (1067) | 189 (86) |
| | H1W3648 | 36 (914) | 48 (1219) | 216 (98) |
| | | | | |
| | | | | |

NOTES:

1) SUITABLE FOR USE IN OFF STREET LOCATION WHERE NOT SUBJECTED TO HIGH DENSITY TRAFFIC.

2) PROVIDE A FULL BED OF CLASS "A" CONCRETE UNDER FRAME AND SUPPORT ANGLES.

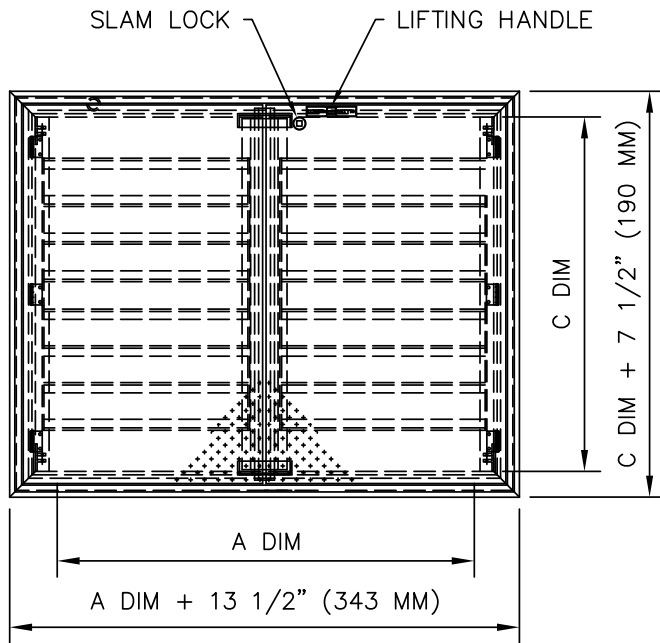


Series H2W Access Door

STANDARD FEATURES:

- H20 LOAD RATING (SEE NOTES)
- EXTRUDED ALUMINUM CHANNEL FRAME
- DOUBLE LEAF CONSTRUCTION
- AUTO-LOCK T-316 STAINLESS STEEL HOLD OPEN ARM WITH RELEASE HANDLE
- T-316 STAINLESS STEEL HINGES AND ATTACHING HARDWARE
- T-316 STAINLESS STEEL SLAM LOCK WITH REMOVABLE KEY
- STAINLESS STEEL COMPRESSION SPRING ASSIST
- RECESSED LIFTING HANDLE
- LIFETIME GUARANTEE

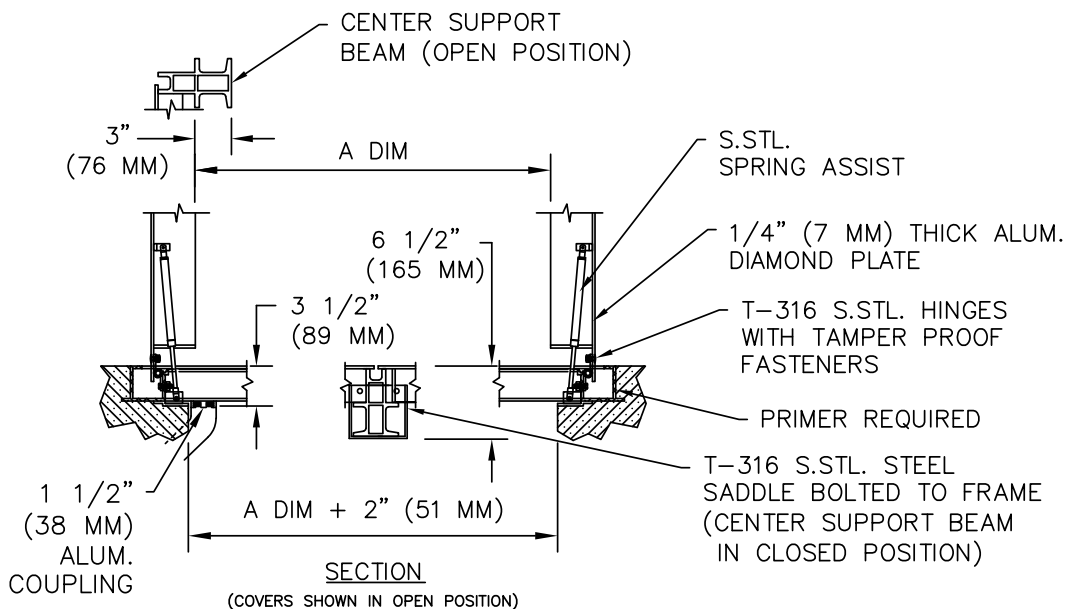
| STANDARD SIZES | | | | |
|----------------|-----------|-------------------|-------------------|--------------------|
| QTY. | MODEL NO. | A DIM INCHES (MM) | C DIM INCHES (MM) | UNIT WT. LBS. (KG) |
| | H2W4242 | 42 (1067) | 42 (1067) | 223 (101) |
| | H2W4842 | 48 (1219) | 42 (1067) | 238 (108) |
| | H2W4848 | 48 (1219) | 48 (1219) | 263 (119) |
| | H2W5442 | 54 (1372) | 42 (1067) | 252 (114) |
| | H2W5448 | 54 (1372) | 48 (1219) | 284 (129) |
| | H2W6048 | 60 (1524) | 48 (1219) | 300 (136) |
| | H2W6060 | 60 (1524) | 60 (1524) | 373 (169) |
| | H2W7248 | 72 (1829) | 48 (1219) | 341 (155) |
| | H2W7260 | 72 (1829) | 60 (1524) | 413 (187) |
| | H2W7272 | 72 (1829) | 72 (1829) | 504 (229) |
| | | | | |
| | | | | |



NOTES:

1) SUITABLE FOR USE IN OFF STREET LOCATION WHERE NOT SUBJECTED TO HIGH DENSITY TRAFFIC.

2) PROVIDE A FULL BED OF CLASS "A" CONCRETE UNDER FRAME AND SUPPORT ANGLES.

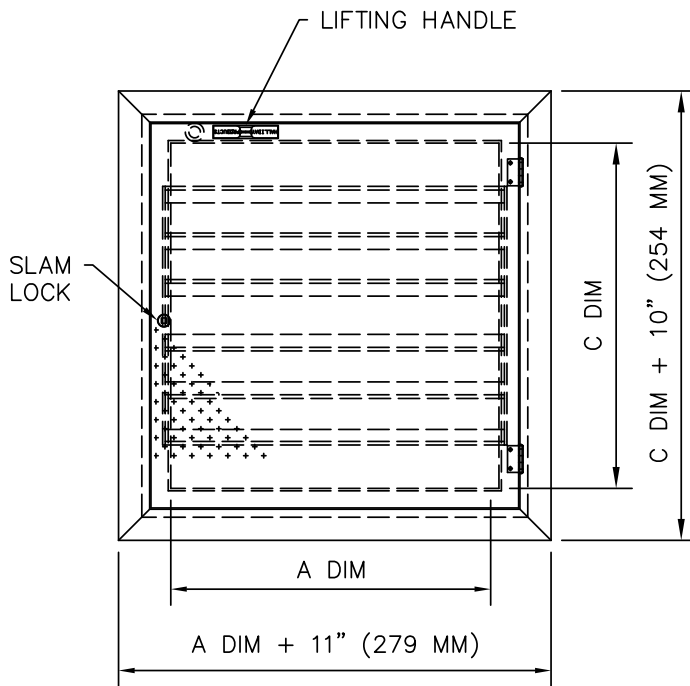


Series H1C Access Door



STANDARD FEATURES:

- H20 LOAD RATING (SEE NOTES)
- EXTRUDED ALUMINUM CHANNEL FRAME
- SINGLE LEAF CONSTRUCTION
- AUTO-LOCK T-316 STAINLESS STEEL HOLD OPEN ARM WITH RELEASE HANDLE
- T-316 STAINLESS STEEL HINGES AND ATTACHING HARDWARE
- T-316 STAINLESS STEEL SLAM LOCK WITH REMOVABLE KEY
- STAINLESS STEEL COMPRESSION SPRING ASSIST
- RECESSED LIFTING HANDLE
- LIFETIME GUARANTEE

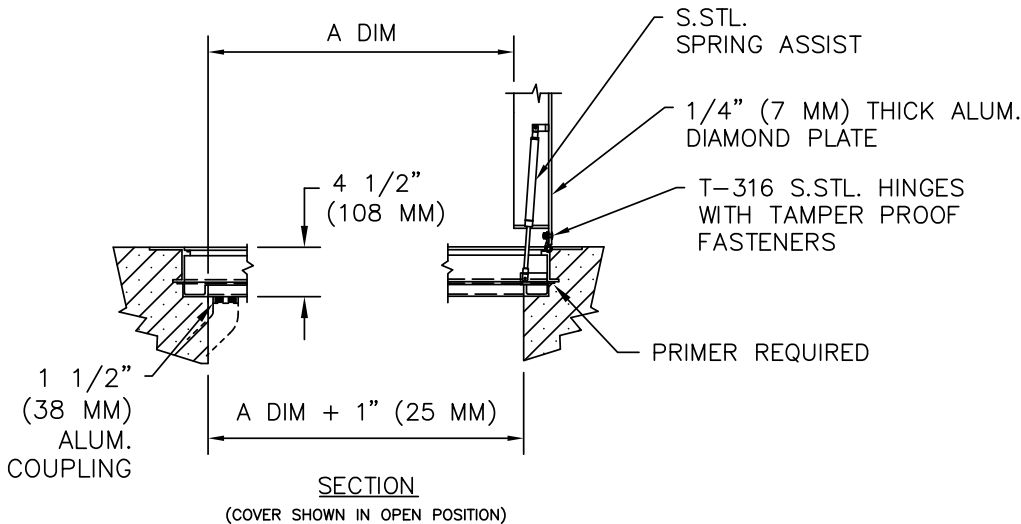


| STANDARD SIZES | | | | |
|----------------|-----------|-------------------|-------------------|--------------------|
| QTY. | MODEL NO. | A DIM INCHES (MM) | C DIM INCHES (MM) | UNIT WT. LBS. (KG) |
| | H1C2424 | 24 (610) | 24 (610) | 85 (39) |
| | H1C2430 | 24 (610) | 30 (762) | 100 (45) |
| | H1C2436 | 24 (610) | 36 (914) | 115 (52) |
| | H1C2442 | 24 (610) | 42 (1067) | 130 (59) |
| | H1C3030 | 30 (762) | 30 (762) | 108 (49) |
| | H1C3036 | 30 (762) | 36 (914) | 124 (56) |
| | H1C3042 | 30 (762) | 42 (1067) | 140 (64) |
| | H1C3048 | 30 (762) | 48 (1219) | 157 (71) |
| | H1C3636 | 36 (914) | 36 (914) | 134 (61) |
| | H1C3642 | 36 (914) | 42 (1067) | 151 (68) |
| | H1C3648 | 36 (914) | 48 (1219) | 166 (75) |
| | | | | |
| | | | | |

NOTES:

1) SUITABLE FOR USE IN OFF STREET LOCATION WHERE NOT SUBJECTED TO HIGH DENSITY TRAFFIC.

2) PROVIDE A FULL BED OF CLASS "A" CONCRETE UNDER FRAME AND SUPPORT ANGLES.

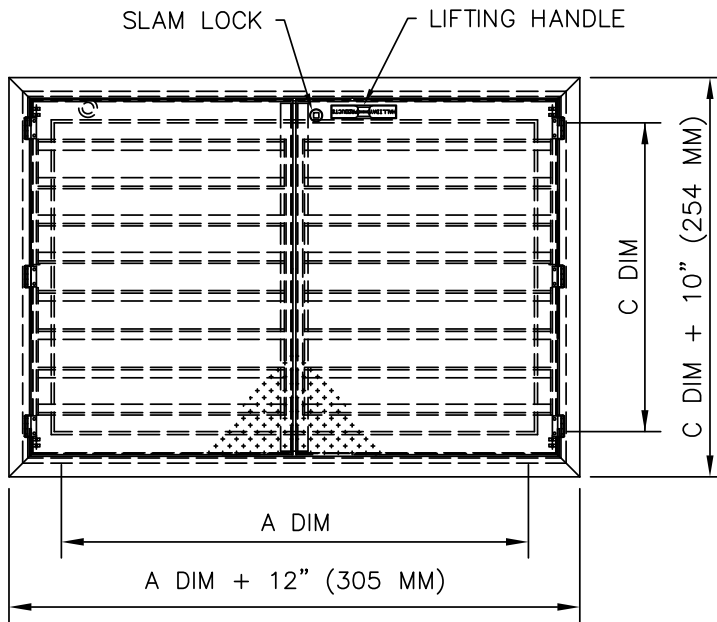


Series H2C Access Door



STANDARD FEATURES:

- H20 LOAD RATING (SEE NOTES)
- EXTRUDED ALUMINUM CHANNEL FRAME
- DOUBLE LEAF CONSTRUCTION
- AUTO-LOCK T-316 STAINLESS STEEL HOLD OPEN ARM WITH RELEASE HANDLE
- T-316 STAINLESS STEEL HINGES AND ATTACHING HARDWARE
- T-316 STAINLESS STEEL SLAM LOCK WITH REMOVABLE KEY
- STAINLESS STEEL COMPRESSION SPRING ASSIST
- RECESSED LIFTING HANDLE
- LIFETIME GUARANTEE

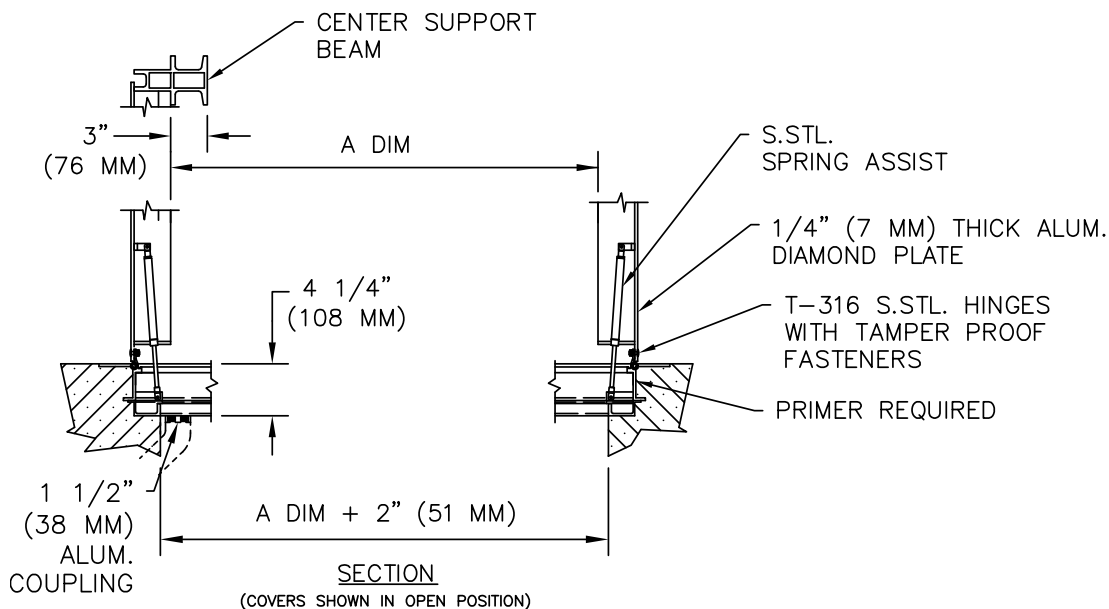


| STANDARD SIZES | | | | |
|----------------|-----------|--------------------|--------------------|---------------------|
| QTY. | MODEL NO. | A DIM. INCHES (mm) | C DIM. INCHES (mm) | UNIT WT. LBS. (kg.) |
| | H2C4242 | 42 (1067) | 42 (1067) | 260 (118) |
| | H2C4842 | 48 (1219) | 42 (1067) | 289 (131) |
| | H2C4848 | 48 (1219) | 48 (1219) | 323 (147) |
| | H2C5442 | 54 (1372) | 42 (1067) | 318 (144) |
| | H2C5448 | 54 (1372) | 48 (1219) | 355 (161) |
| | H2C6048 | 60 (1524) | 48 (1219) | 367 (166) |
| | H2C6060 | 60 (1524) | 60 (1524) | 429 (195) |
| | H2C7248 | 72 (1829) | 48 (1219) | 400 (181) |
| | H2C7260 | 72 (1829) | 60 (1524) | 483 (219) |
| | H2C7272 | 72 (1829) | 72 (1829) | 566 (257) |
| | | | | |
| | | | | |

NOTES:

1) SUITABLE FOR USE IN OFF STREET LOCATION WHERE NOT SUBJECTED TO HIGH DENSITY TRAFFIC.

2) PROVIDE A FULL BED OF CLASS "A" CONCRETE UNDER FRAME AND SUPPORT ANGLES.

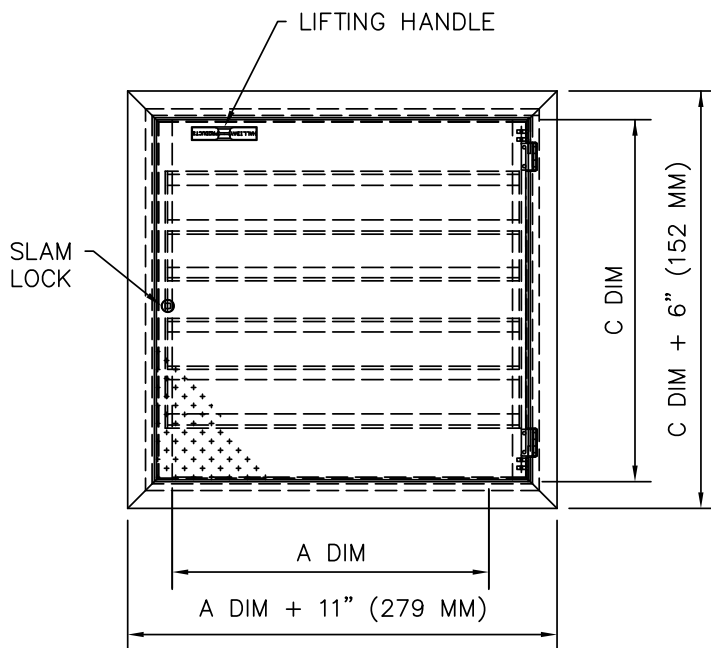


Series H1R Access Door



STANDARD FEATURES:

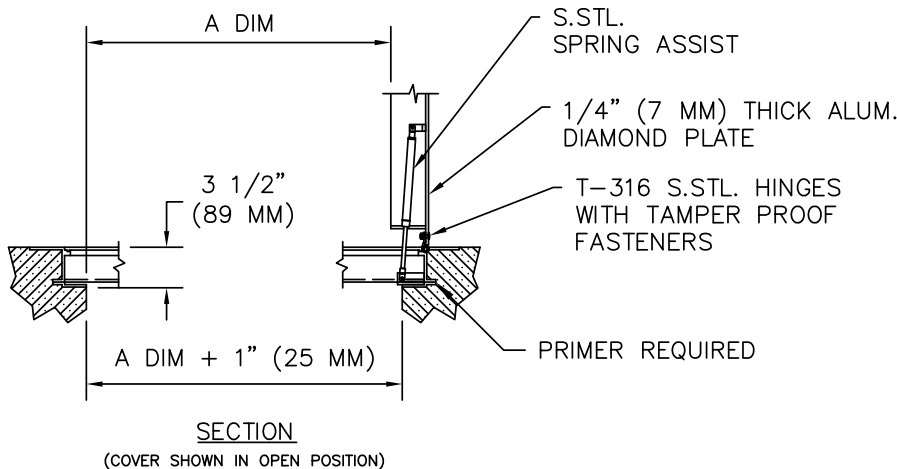
- H20 LOAD RATING (SEE NOTES)
- EXTRUDED ALUMINUM ANGLE FRAME
- SINGLE LEAF CONSTRUCTION
- AUTO-LOCK T-316 STAINLESS STEEL HOLD OPEN ARM WITH RELEASE HANDLE
- T-316 STAINLESS STEEL HINGES AND ATTACHING HARDWARE
- T-316 STAINLESS STEEL SLAM LOCK WITH REMOVABLE KEY
- STAINLESS STEEL COMPRESSION SPRING ASSIST
- RECESSED LIFTING HANDLE
- LIFETIME GUARANTEE



| STANDARD SIZES | | | | |
|----------------|-----------|--------------------|--------------------|--------------------|
| QTY. | MODEL NO. | A DIM. INCHES (MM) | C DIM. INCHES (MM) | UNIT WT. LBS. (KG) |
| | H1R2424 | 24 (610) | 24 (610) | 60 (27) |
| | H1R2430 | 24 (610) | 30 (762) | 75 (34) |
| | H1R2436 | 24 (610) | 36 (914) | 90 (41) |
| | H1R2442 | 24 (610) | 42 (1067) | 105 (48) |
| | H1R3030 | 30 (762) | 30 (762) | 94 (43) |
| | H1R3036 | 30 (762) | 36 (914) | 113 (51) |
| | H1R3042 | 30 (762) | 42 (1067) | 131 (59) |
| | H1R3048 | 30 (762) | 48 (1219) | 150 (68) |
| | H1R3636 | 36 (914) | 36 (914) | 135 (61) |
| | H1R3642 | 36 (914) | 42 (1067) | 158 (72) |
| | H1R3648 | 36 (914) | 48 (1219) | 180 (82) |
| | | | | |
| | | | | |

NOTES:

- 1) SUITABLE FOR USE IN OFF STREET LOCATION WHERE NOT SUBJECTED TO HIGH DENSITY TRAFFIC.
- 2) PROVIDE A FULL BED OF CLASS "A" CONCRETE UNDER FRAME AND SUPPORT ANGLES.

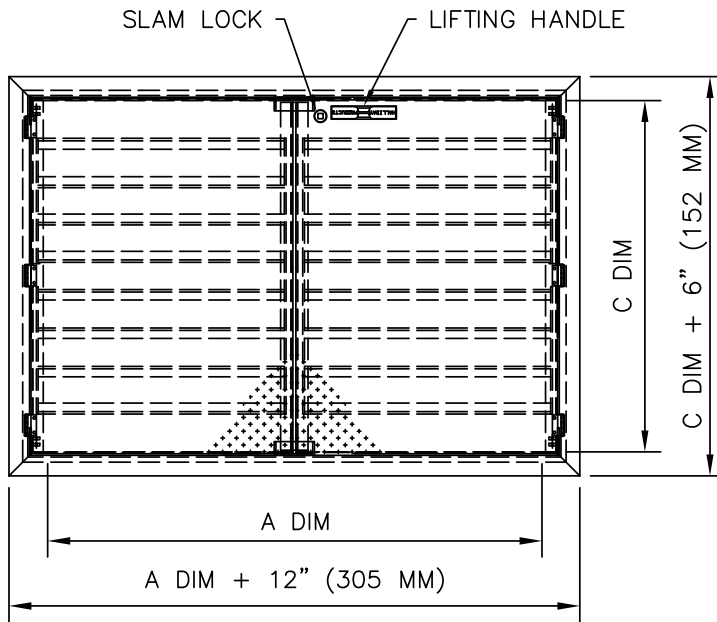


Series H2R Access Door



STANDARD FEATURES:

- H20 LOAD RATING (SEE NOTES)
- EXTRUDED ALUMINUM ANGLE FRAME
- DOUBLE LEAF CONSTRUCTION
- AUTO-LOCK T-316 STAINLESS STEEL HOLD OPEN ARM WITH RELEASE HANDLE
- T-316 STAINLESS STEEL HINGES AND ATTACHING HARDWARE
- T-316 STAINLESS STEEL SLAM LOCK WITH REMOVABLE KEY
- STAINLESS STEEL COMPRESSION SPRING ASSIST
- RECESSED LIFTING HANDLE
- LIFETIME GUARANTEE

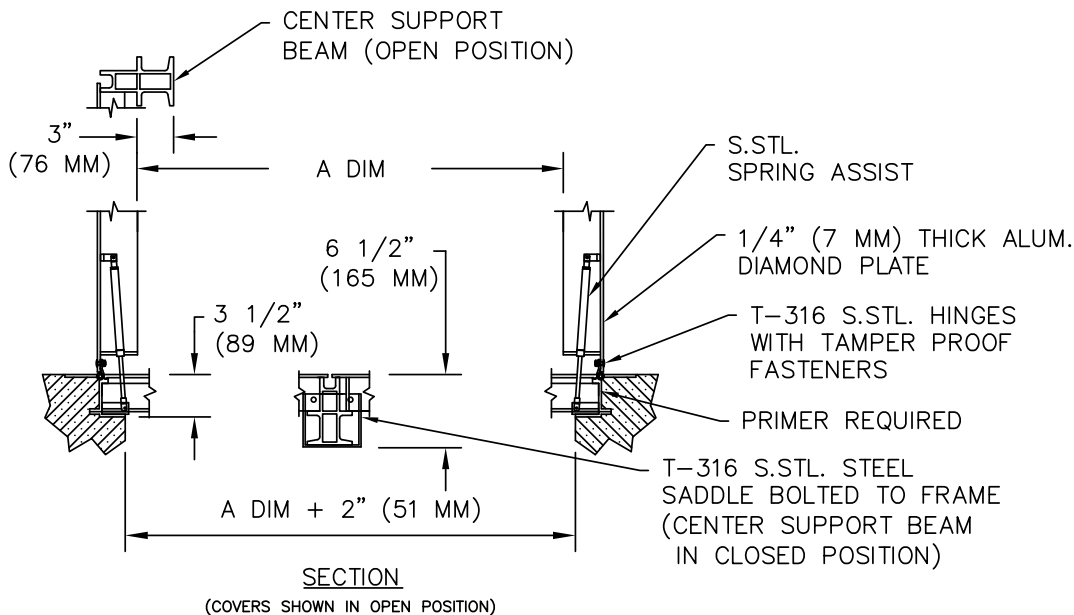


| STANDARD SIZES | | | | |
|----------------|-----------|-------------------|-------------------|--------------------|
| QTY. | MODEL NO. | A DIM INCHES (MM) | C DIM INCHES (MM) | UNIT WT. LBS. (KG) |
| | H2R4242 | 42 (1067) | 42 (1067) | 198 (90) |
| | H2R4842 | 48 (1219) | 42 (1067) | 217 (98) |
| | H2R4848 | 48 (1219) | 48 (1219) | 235 (107) |
| | H2R5442 | 54 (1372) | 42 (1067) | 228 (103) |
| | H2R5448 | 54 (1372) | 48 (1219) | 257 (117) |
| | H2R6048 | 60 (1524) | 48 (1219) | 268 (122) |
| | H2R6060 | 60 (1524) | 60 (1524) | 339 (154) |
| | H2R7248 | 72 (1829) | 48 (1219) | 305 (138) |
| | H2R7260 | 72 (1829) | 60 (1524) | 374 (170) |
| | H2R7272 | 72 (1829) | 72 (1829) | 449 (204) |
| | | | | |
| | | | | |

NOTES:

1) SUITABLE FOR USE IN OFF STREET LOCATION WHERE NOT SUBJECTED TO HIGH DENSITY TRAFFIC.

2) PROVIDE A FULL BED OF CLASS "A" CONCRETE UNDER FRAME AND SUPPORT ANGLES.



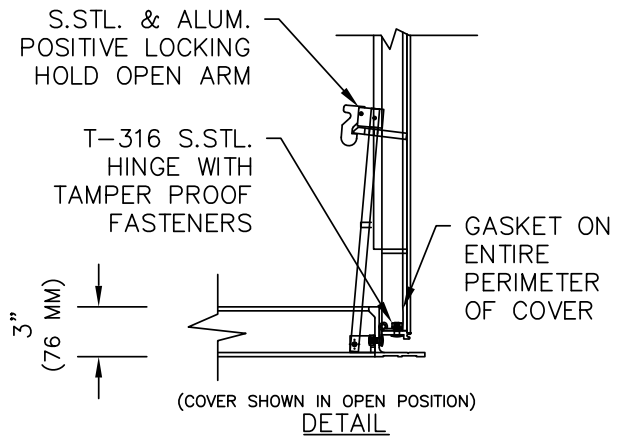
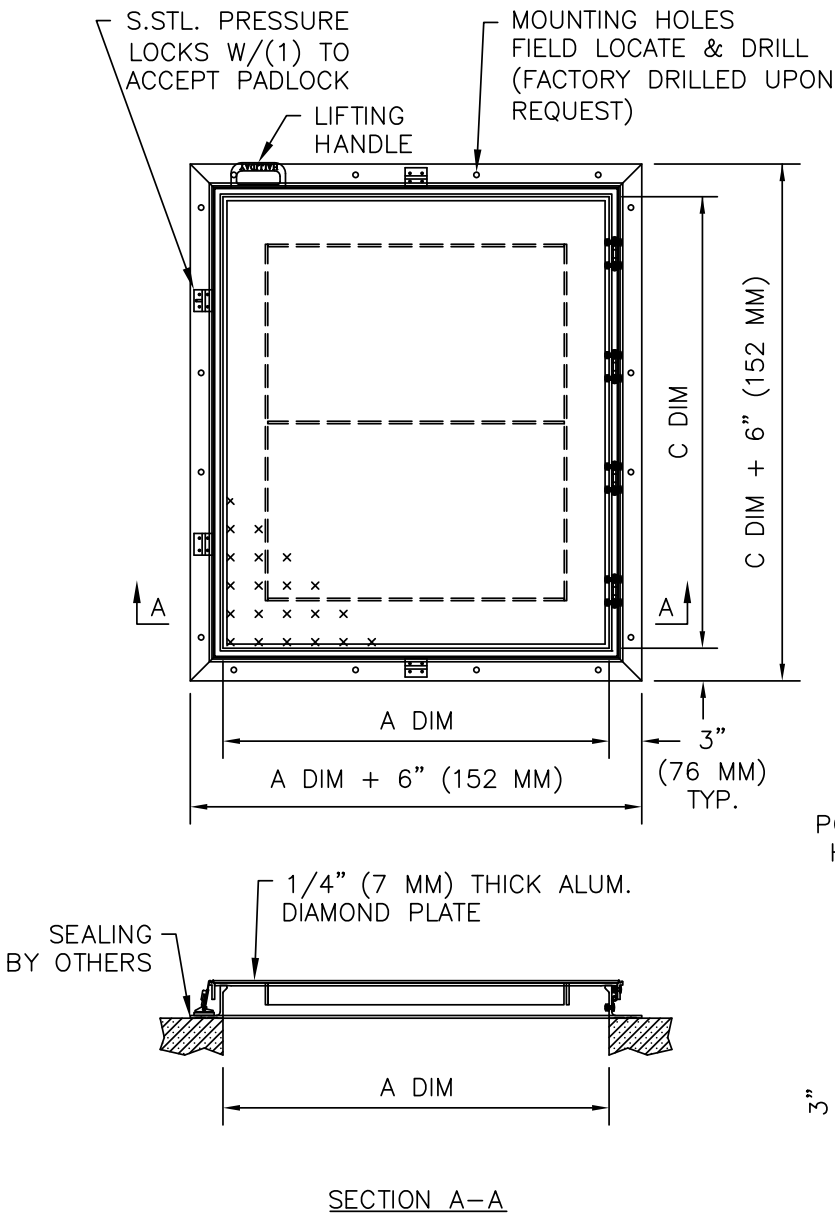
Series F1R Access Door



STANDARD FEATURES:

- 625 LBS. PER SQ. FT. LOAD RATING
(28 KG PER SQ. METER LOAD RATING)
- FLOODTIGHT UP TO 10FT COLUMN OF WATER
- EXTRUDED ALUMINUM ANGLE FRAME
- AUTO-LOCK T-316 STAINLESS STEEL HOLD OPEN ARM WITH RELEASE HANDLE
- TYPE-316 STAINLESS STEEL HINGES AND ATTACHING HARDWARE
- STAINLESS STEEL PRESSURE LOCKS
- 1/4" (7 MM) X 1 1/2" (38 MM) EPDM/NEOPRENE GASKET
- PADLOCK LUG
- SINGLE LEAF CONSTRUCTION
- LIFETIME GUARANTEE

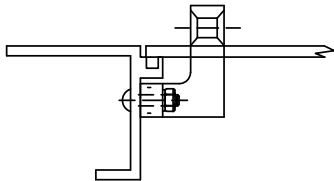
| STANDARD SIZES | | | | |
|----------------|-----------|--------------------|--------------------|--------------------|
| QTY. | MODEL NO. | A DIM. INCHES (MM) | C DIM. INCHES (MM) | UNIT WT. LBS. (KG) |
| | F1R2424 | 24 (610) | 24 (610) | 46 (21) |
| | F1R2430 | 24 (610) | 30 (762) | 51 (23) |
| | F1R2436 | 24 (610) | 36 (914) | 61 (28) |
| | F1R2442 | 24 (610) | 42 (1067) | 77 (35) |
| | F1R2448 | 24 (610) | 48 (1219) | 85 (39) |
| | F1R3030 | 30 (762) | 30 (762) | 54 (24) |
| | F1R3036 | 30 (762) | 36 (914) | 69 (31) |
| | F1R3042 | 30 (762) | 42 (1067) | 77 (35) |
| | F1R3048 | 30 (762) | 48 (1219) | 85 (39) |
| | F1R3054 | 30 (762) | 54 (1372) | 99 (45) |
| | F1R3060 | 30 (762) | 60 (1524) | 106 (48) |
| | F1R3636 | 36 (914) | 36 (914) | 70 (32) |
| | F1R3642 | 36 (914) | 42 (1067) | 89 (40) |
| | F1R3648 | 36 (914) | 48 (1219) | 97 (44) |
| | F1R3654 | 36 (914) | 54 (1372) | 107 (49) |
| | F1R3660 | 36 (914) | 60 (1524) | 104 (47) |
| | F1R3666 | 36 (914) | 66 (1676) | 126 (57) |
| | F1R3672 | 36 (914) | 72 (1829) | 135 (61) |
| | | | | |
| | | | | |



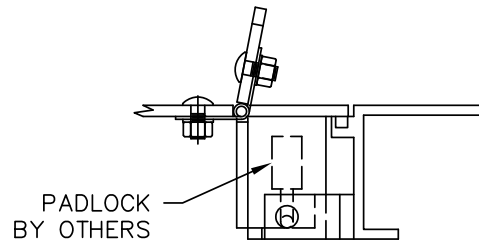
Access Cover Popular Options



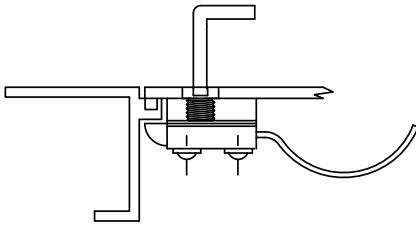
HALLIDAY PRODUCTS OFFERS A VARIETY OF OPTIONS FOR OUR EXTENSIVE LINE OF QUALITY ACCESS FRAMES AND COVERS. PLEASE CONSULT FACTORY IF YOUR APPLICATION REQUIRES AN OPTION THAT IS NOT SHOWN.



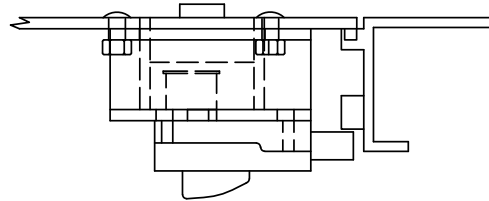
PADLOCK BAR



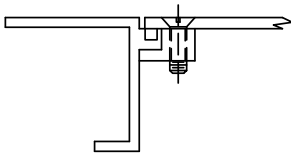
RECESSED LOCK BOX



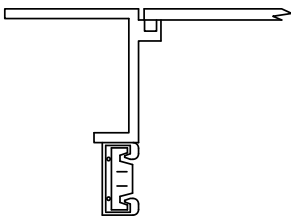
SLAM LOCK



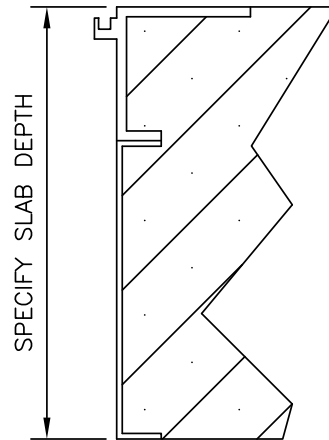
KEYED CYLINDER LOCK



BOLT DOWN FEATURE



NUTRAIL



SLAB SKIRTING

Optional Protective Grating Panel



STANDARD FEATURES:

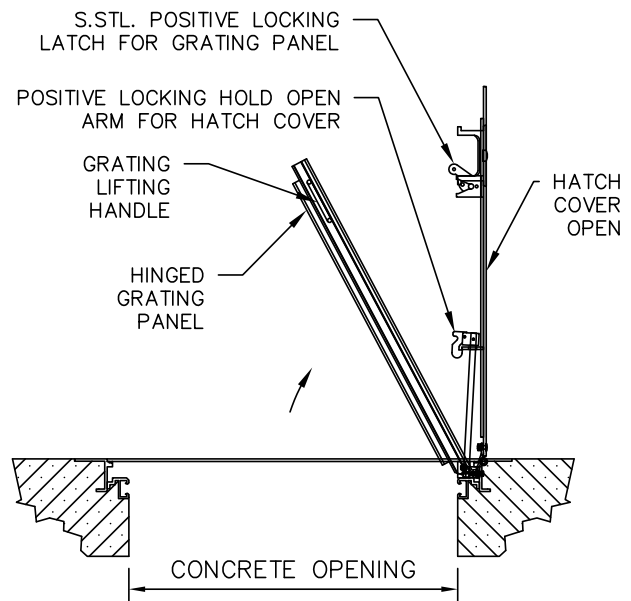
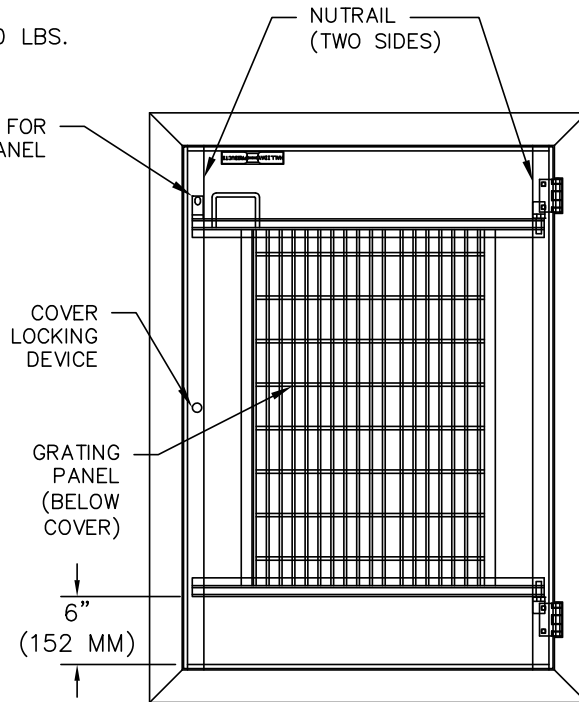
- ALUMINUM "1" BAR CONSTRUCTION
- ALL T-316 STAINLESS STEEL HARDWARE
- LOCKABLE WITH OWNER-SUPPLIED PADLOCK
- HINGED WITH POSITIVE LATCH TO MAINTAIN UPRIGHT POSITION
- LOAD RATED CONSISTENT WITH ACCESS COVER
- VIEW AREA FOR OBSERVATION AND LIMITED MAINTENANCE
- SAFETY ORANGE POWDER-COATED FINISH
- NUTRAIL W/S.STL. SPRING NUTS (INCLUDED ON 300 LBS. PSF (1464 KG PSM) RATED HATCHES ONLY)
- LIFETIME GUARANTEE

APPLICATIONS:

THE OPTIONAL PROTECTIVE GRATING PANEL SHOULD BE SPECIFIED FOR APPLICATIONS IN AREAS THAT REQUIRE ADDITIONAL PROTECTION SHOULD THE ACCESS COVER BE LEFT IN THE OPEN POSITION. THIS OPTION SHOULD ALSO BE CONSIDERED WHEN A SINGLE PERSON INSPECTION OF WET WELLS IS DESIRABLE. THE GRATING PANEL HAS PROVISIONS FOR AN OWNER-SUPPLIED PADLOCK THAT WOULD PROVIDE SECONDARY PROTECTION AGAINST UNAUTHORIZED PERSONNEL OPENING THE ACCESS COVER. THIS OPTION IS NOT AVAILABLE FOR ALL ACCESS COVERS MODELS. PLEASE CONSULT THE FACTORY.

HALLIDAY PRODUCTS OPTIONAL PROTECTIVE GRATING PANEL IS EQUIPPED WITH ALL T-316 STAINLESS STEEL HARDWARE. THIS LOCKABLE GRATING PANEL CAN BE FACTORY INSTALLED ON MOST MODELS IN OUR EXTENSIVE LINE OF QUALITY ACCESS COVERS. EACH GRATING PANEL IS POWDER COAT FINISHED IN SAFETY ORANGE COLOR, AND IS EQUIPPED WITH A T-316 STAINLESS STEEL POSITIVE LATCH WITH RELEASE HANDLE THAT SECURES THE GRATING PANEL IN THE OPEN POSITION. THE GRATING SUPPORT LEDGES FEATURE BUILT-IN NUTRAIL. EACH UNIT IS SUPPLIED WITH FOUR STAINLESS STEEL SPRING NUTS USED TO MOUNT PUMP BRACKETS AND CABLE HOLDERS.

- CONSULT FACTORY FOR ALL PRICING
- FOR ADDITIONAL INFORMATION VISIT US AT:
www.HallidayProducts.com



GRATING OPTION RO



NEW FLUSH MOUNT FLOODTIGHT PROTECTION

MODEL F1H Floodtight

- EDPM Compression Gasket
- Flush Mount Design
- Spring Assist
- Stainless Steel Locks
- Warranty: Lifetime



MADE IN THE USA

When waters rise, Halliday has you covered.

Halliday Products has done it again – from EDPM compression gaskets to multiple stainless steel cam locks and more, our new floodtight designs offer the strongest, most reliable aluminum and stainless steel features on the market.

A trusted industry leader since 1972.

A trusted industry leader since 1972, the Halliday Products name has become synonymous with quality metal products for the municipal and wastewater treatment industries. Call us today and experience the difference.

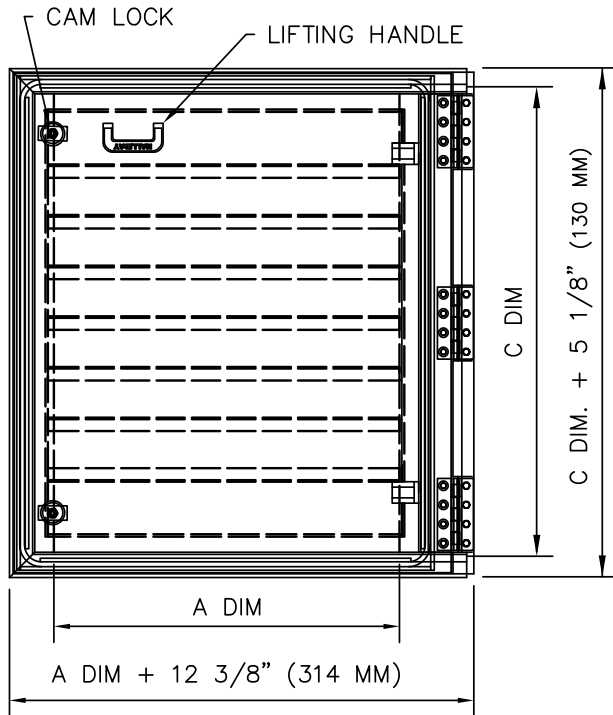


Series F1H Floodtight Covers



STANDARD FEATURES:

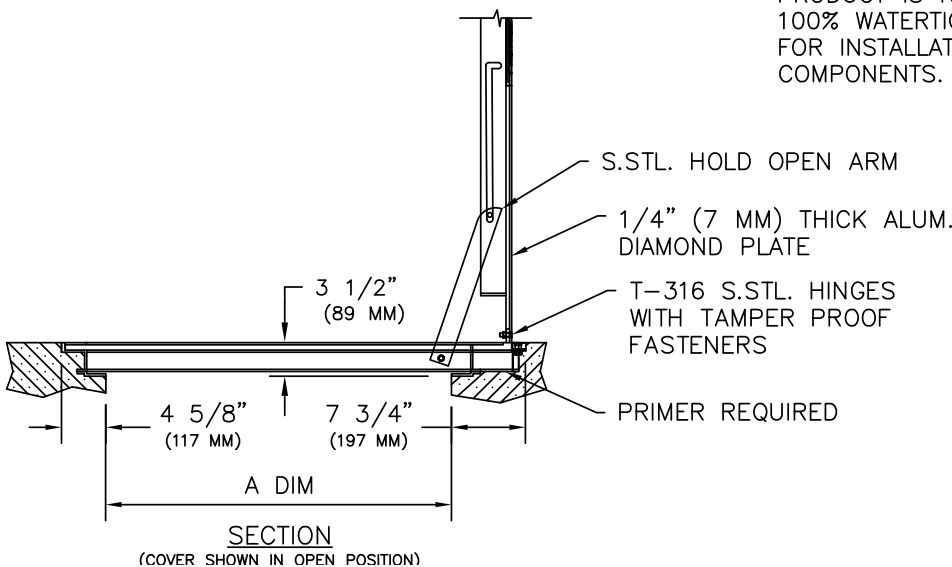
- FLOODTIGHT/ODOR TIGHT UP TO 25FT COLUMN OF WATER (H-20 LOAD RATING)
- EXTRUDED ALUMINUM FRAME
- AUTO-LOCK T-316 STAINLESS STEEL HOLD OPEN ARM WITH RELEASE HANDLE
- TYPE-316 STAINLESS STEEL HINGES AND ATTACHING HARDWARE
- EPDM GASKET/CUSHION (ON COVER)
- CAM LOCKS
- STAINLESS STEEL COMPRESSION SPRING ASSIST
- RECESSED LIFTING HANDLE
- LIFETIME GUARANTEE



| STANDARD SIZES | | | | |
|----------------|-----------|-------------------|-------------------|--------------------|
| QTY. | MODEL NO. | A DIM INCHES (MM) | C DIM INCHES (MM) | UNIT WT. LBS. (KG) |
| | F1H2424 | 24 (610) | 24 (610) | 95 (43) |
| | F1H2430 | 24 (610) | 30 (762) | 108 (49) |
| | F1H2436 | 24 (610) | 36 (914) | 120 (54) |
| | F1H2442 | 24 (610) | 42 (1067) | 141 (64) |
| | F1H2448 | 24 (610) | 48 (1219) | 158 (72) |
| | F1H3030 | 30 (762) | 30 (762) | 120 (54) |
| | F1H3036 | 30 (762) | 36 (914) | 134 (61) |
| | F1H3042 | 30 (762) | 42 (1067) | 156 (71) |
| | F1H3048 | 30 (762) | 48 (1219) | 172 (78) |
| | F1H3054 | 30 (762) | 54 (1372) | 187 (85) |
| | F1H3060 | 30 (762) | 60 (1524) | 201 (91) |
| | F1H3072 | 30 (762) | 72 (1829) | 232 (105) |
| | F1H3636 | 36 (914) | 36 (914) | 149 (68) |
| | F1H3642 | 36 (914) | 42 (1067) | 175 (79) |
| | F1H3648 | 36 (914) | 48 (1219) | 194 (88) |
| | F1H3654 | 36 (914) | 54 (1372) | 209 (95) |
| | F1H3660 | 36 (914) | 60 (1524) | 225 (102) |
| | F1H3672 | 36 (914) | 72 (1829) | 256 (116) |

NOTES:

- 1) SUITABLE FOR USE IN OFF STREET LOCATION WHERE NOT SUBJECTED TO TRAFFIC
- 2) PROVIDE A FULL BED OF CLASS "A" CONCRETE UNDER FRAME AND SUPPORT ANGLES.
- 3) MINIMAL LEAKAGE MAY OCCUR UNDER NORMAL OPERATION AS THIS PRODUCT IS NOT GUARANTEED TO BE 100% WATERTIGHT. NOT RECOMMENDED FOR INSTALLATION OVER ELECTRICAL COMPONENTS.



Retro-Grate™

STANDARD FEATURES:

- ALUMINUM "1" BAR CONSTRUCTION
- T-316 STAINLESS STEEL HARDWARE
- SPRING LOADED LIFTING HANDLE
- LOCK WITH OWNER SUPPLIED PADLOCK
- EASY INSTALL REGARDLESS OF COVER
- MANUFACTURER
- 100 LB. PER SQ. FT. LOAD RATING
- 450 LB. PER METER LOAD RATING
- LOCK WITH POSITIVE LATCH TO MAINTAIN
- POSITION
- CLEAR AREA FOR OBSERVATION AND
- MAINTENANCE
- FINISH WITH STAINLESS STEEL
- ORANGE COATING FINISH



EXISTING COVER
(SHOWN IN OPEN
POSITION)

STAINLESS STEEL
HOLD OPEN ARM

(2) SUPPORT BRACKETS
WITH MOUNTING
HARDWARE (8)





Introducing Retro-Grate™...

The custom made fall-thru protection system designed to fit most openings, regardless of the cover manufacturer. Easily installed, Retro-Grate™ changes a potentially hazardous access cover opening into a safe and secure surrounding.

Each and every time an access cover is opened, the possibility of a fall-thru accident exists. Retro-Grate™ by Halliday Products eliminates the hazard by covering the opening with a hinged grating panel. When access to the opening is required, the safety color orange powder coated grating panel hinges up and out of the way. Once the work is complete, simply release the latch and lower Retro-Grate™ back into position. The next operator to open the access cover is protected.

Retro-Grate™ is easy to install and allows for minor maintenance and adjustments beneath the access cover without exposing the operator to an uncovered opening. Retro-Grate™ provides additional security against unauthorized entry with the use of an owner supplied padlock and allows for single person inspections.

So, why gamble? Choose Retro-Grate™ by Halliday Products, a proven industry leader you have trusted for over 50 years.

To receive a price quote, use the convenient form on page 32.

RETRO GRATE™
FALL-THRU PROTECTION SYSTEM



Before Retro-Grate™



After Retro-Grate™

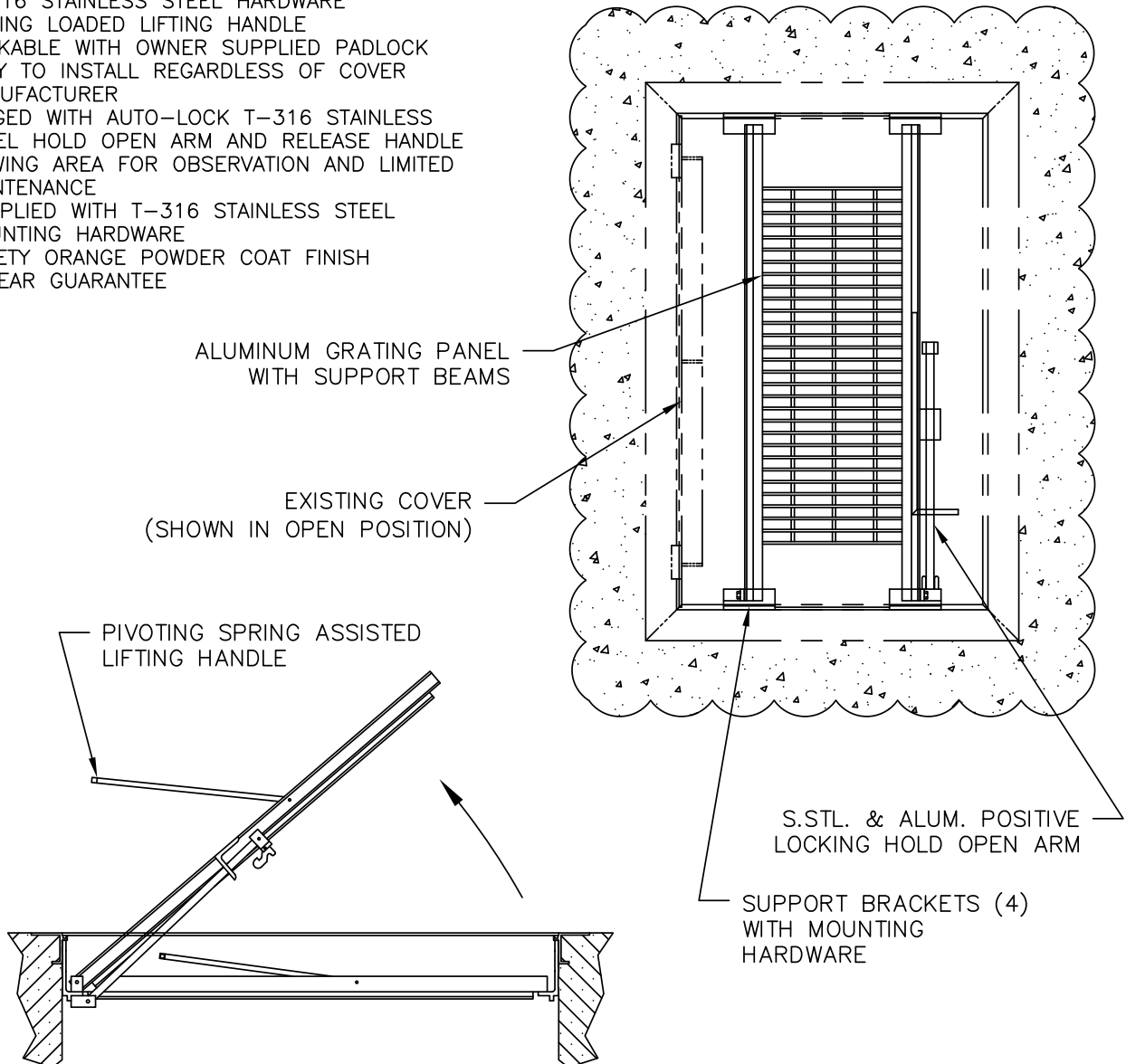


Series X Retro-Grate™



STANDARD FEATURES:

- 300 LBS. PER SQ. FT. LOAD RATING (1464 KG PER SQ. METER LOAD RATING)
- ALUMINUM "1" BAR CONSTRUCTION
- T-316 STAINLESS STEEL HARDWARE
- SPRING LOADED LIFTING HANDLE
- LOCKABLE WITH OWNER SUPPLIED PADLOCK
- EASY TO INSTALL REGARDLESS OF COVER MANUFACTURER
- HINGED WITH AUTO-LOCK T-316 STAINLESS STEEL HOLD OPEN ARM AND RELEASE HANDLE
- VIEWING AREA FOR OBSERVATION AND LIMITED MAINTENANCE
- SUPPLIED WITH T-316 STAINLESS STEEL MOUNTING HARDWARE
- SAFETY ORANGE POWDER COAT FINISH
- 3 YEAR GUARANTEE



APPLICATIONS:

THE SERIES X RETRO-GRATE IS A HINGED ALUMINUM GRATING PANEL THAT IS EASILY INSTALLED BENEATH EXISTING ACCESS COVERS REGARDLESS OF THE ORIGINAL COVER MANUFACTURER. THE RETRO-GRATE PROVIDES ADDITIONAL PROTECTION AGAINST FALL THROUGH ACCIDENTS WHEN THE COVER IS LEFT IN THE OPEN POSITION. THE UNIT IS LOCKABLE BY AN OWNER SUPPLIED PADLOCK AND INCORPORATES A SPRING ASSISTED LIFTING HANDLE THAT POSITIONS THE HANDLE NEAR THE SLAB LEVEL. THE UNIT IS SUPPLIED WITH T-316 STAINLESS STEEL MOUNTING HARDWARE AND AN AUTOMATIC HOLD OPEN ARM WITH ALUMINUM RELEASE LATCH. THE RETRO-GRATE IS DESIGNED TO BE INSTALLED BY MOUNTING THE SUPPORT BRACKETS TO EITHER THE EXISTING FRAMEWORK OR TO THE CONCRETE SLAB BELOW THE FRAMEWORK.

Retro-Grate™ installations require specific information that must be obtained from field measurements and observations acquired at each site. **For units larger than 72" x 72", consult factory.** To obtain a price quotation, each unit will need its own form completed with all required information and faxed to the number below. To submit online, select Retro-Grate™ at www.HallidayProducts.com. Please call 800-298-1027 with any questions and our sales staff will be happy to help you. **Pictures may be necessary to ensure proper installation.**

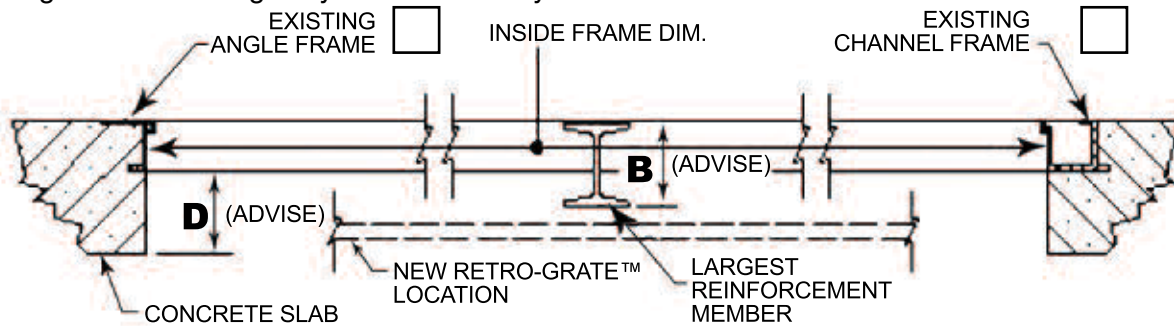


CONTACT INFORMATION

| | | | |
|---------|-----|----------------|--|
| COMPANY | | CONTACT PERSON | |
| PHONE | FAX | EMAIL | |

RETRO-GRATE™ REQUIRED INFORMATION

Is the existing frame work angle style or channel style? Check one below.



What is the inside dimension of the frame in both directions? _____ **X** _____
(Hinge Side)

| | |
|---|---|
| What is the depth of the concrete slab below the existing frame? (D) | |
| What is the largest reinforcement member on the existing cover? (B) | |
| What is the condition of the concrete at the proposed installation? (If condition of concrete is poor, photos will be required.) | <input type="radio"/> Good <input type="radio"/> Poor |
| How many door leaves are in the existing frame work? | <input type="radio"/> One <input type="radio"/> Two <input type="radio"/> Other |
| Are there any obstructions in the existing opening? (If so, consult factory, photos will be required.) | <input type="radio"/> Yes <input type="radio"/> No |
| Is the slab flush with the inside of the existing frame below the cover? | <input type="radio"/> Yes <input type="radio"/> No |
| What is the job or location tag? | |
| Who is the existing cover manufacturer? | |
| City, State and Zip Code of the shipping destination? (For a Freight ESTIMATE) | |



Please Fax to 407-298-4534

6401 Edgewater Drive
Orlando, Florida 32810

Portable Hoists and Sockets

STANDARD FEATURES:

- TYPE-304 STAINLESS STEEL CONSTRUCTION
- 30 FEET (9.14 METERS) OF STAINLESS STEEL GALVANIZED 1 TON (907 KG) HOOK
- STAINLESS STEEL BRAKE WINCH
- ADJUSTABLE REACH IN 1" (25 MM) INCREMENTS

OPTIONS:

- TYPE-316 CONSTRUCTION
- ADDITIONAL CABLE AVAILABLE (SPECIFIED IN 1/4" (6.35 MM) - 3/4" (19.05 MM) INCREMENTS)
- ADDITIONAL WINCHES AVAILABLE
- STAINLESS STEEL HOOK
- OTHER REACHS AVAILABLE UPON REQUEST (CONSULT US)



Series DA Portable Hoist



STANDARD FEATURES:

- TYPE-304 STAINLESS STEEL CONSTRUCTION
- 30 FEET (9.14 METERS) OF STAINLESS STEEL CABLE
- GALVANIZED 1 TON (907 KG) HOOK
- STAINLESS STEEL BRAKE WINCH
- 3 YEAR GUARANTEE

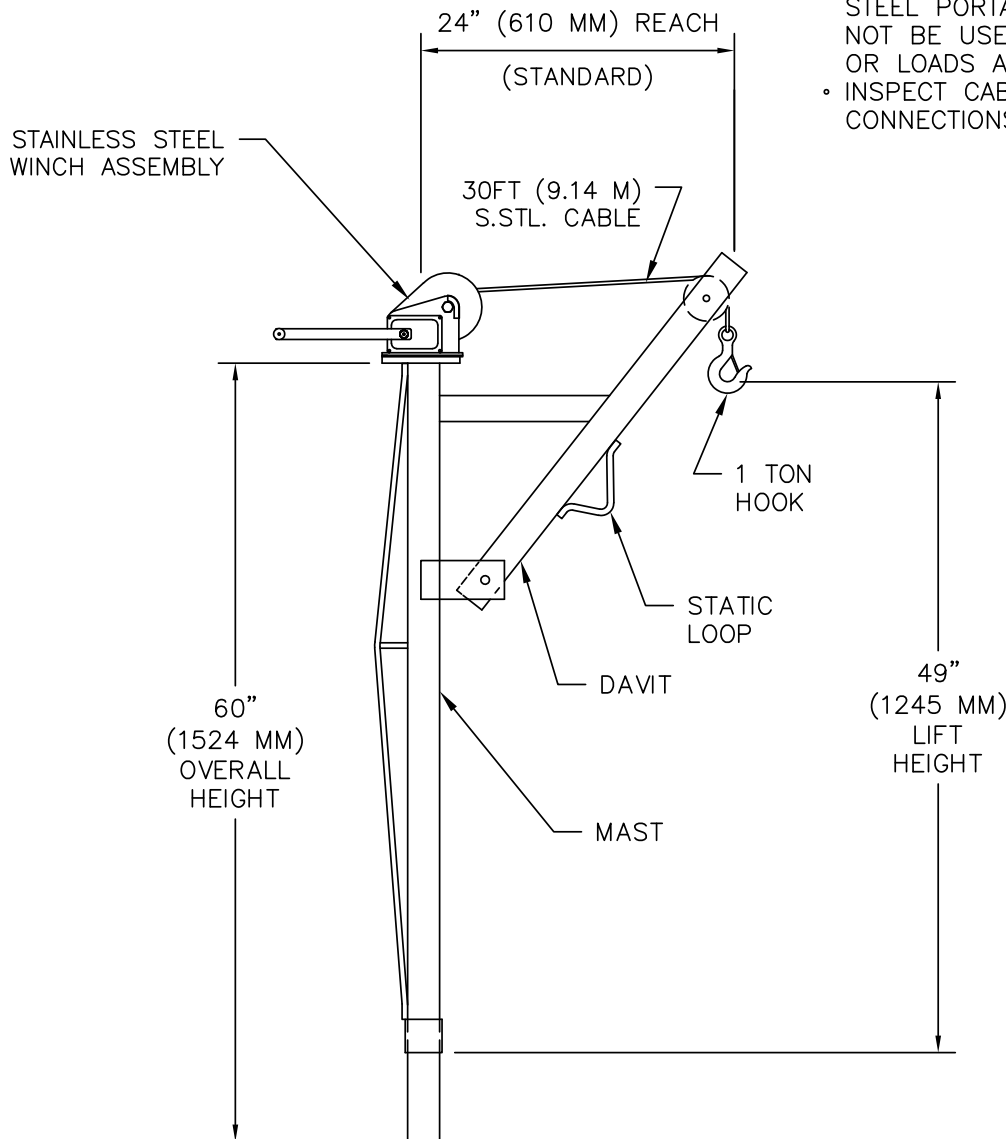
OPTIONS:

- TYPE-316 CONSTRUCTION
- ADDITIONAL CABLE AVAILABLE (SPECIFY LENGTH)
- ADDITIONAL WINCHES AVAILABLE
- STAINLESS STEEL HOOK
- OTHER REACHES AVAILABLE UPON REQUEST (CONSULT FACTORY)

| STANDARD SIZES | | | | |
|----------------|-----------|------------------------|---------------------|--------------------|
| QTY. | MODEL NO. | CABLE SIZE INCHES (MM) | MAX. LOAD LBS. (KG) | UNIT WT. LBS. (KG) |
| | D1A24F | 3/16" (4.76) | 500 (227) | 65 (30) |
| | D2A24G | 1/4" (6.35) | 1000 (454) | 88 (40) |
| | D3A24H | 1/4" (6.35) | 1500 (680) | 103 (48) |

NOTICE:

- HALLIDAY PRODUCTS STAINLESS STEEL PORTABLE HOIST SHOULD NOT BE USED TO MOVE PEOPLE OR LOADS ABOVE PEOPLE.
- INSPECT CABLE AND HOOK CONNECTIONS BEFORE EACH USE.



Series DB Portable Hoist

STANDARD FEATURES:

- TYPE-304 STAINLESS STEEL CONSTRUCTION
- 30 FEET (9.14 METERS) OF STAINLESS STEEL CABLE
- GALVANIZED 1 TON (907 KG) HOOK
- STAINLESS STEEL BRAKE WINCH
- ADJUSTABLE REACH IN 1" (25 MM) INCREMENTS

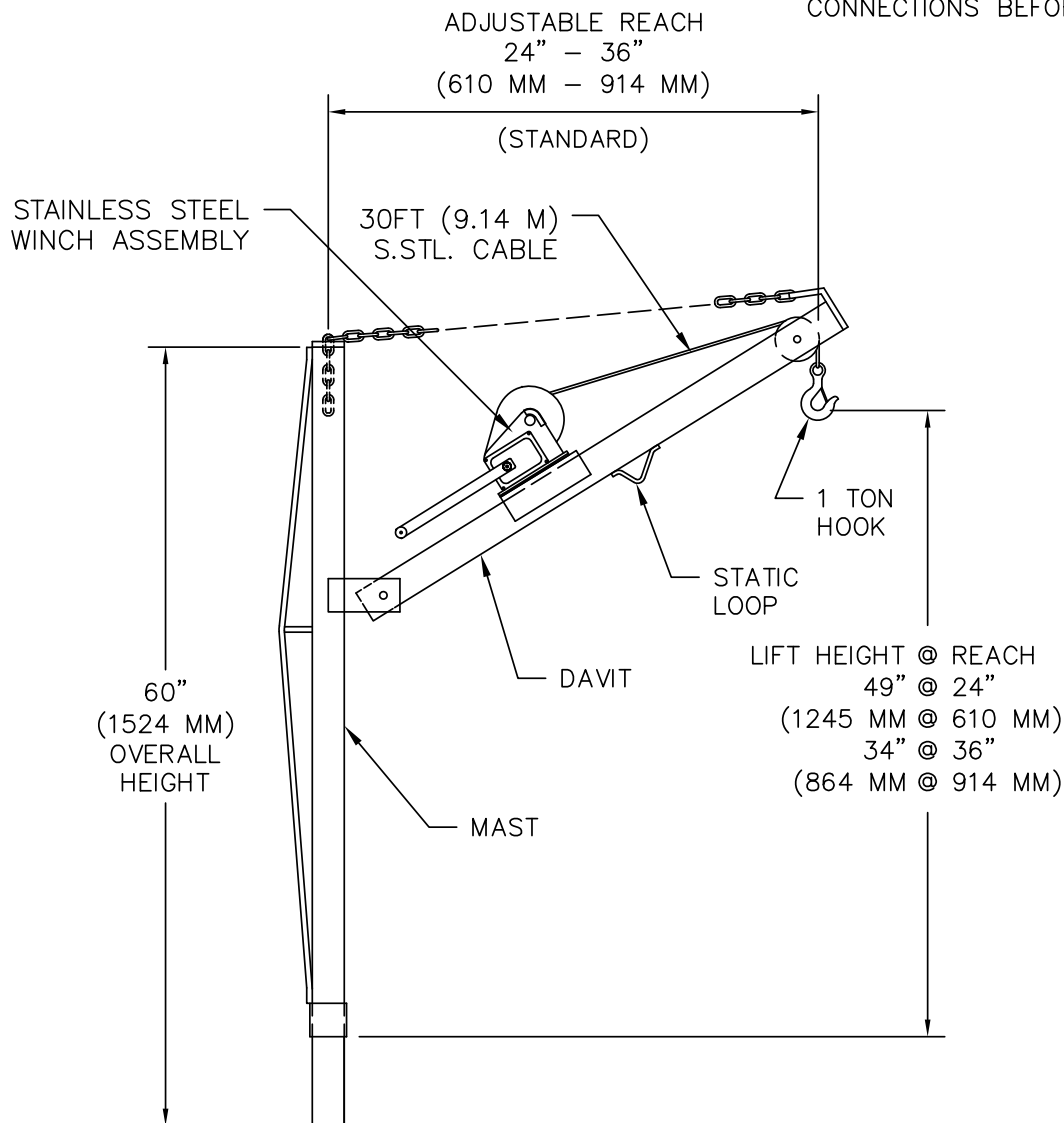
OPTIONS:

- TYPE-316 CONSTRUCTION
- ADDITIONAL CABLE AVAILABLE (SPECIFY LENGTH)
- ADDITIONAL WINCHES AVAILABLE
- STAINLESS STEEL HOOK
- OTHER REACHES AVAILABLE UPON REQUEST (CONSULT FACTORY)

| STANDARD SIZES | | | | |
|----------------|-----------|------------------------|---------------------|--------------------|
| QTY. | MODEL NO. | CABLE SIZE INCHES (MM) | MAX. LOAD LBS. (KG) | UNIT WT. LBS. (KG) |
| | D1B36F | 3/16" (4.76) | 310 (141) | 73 (33) |
| | D2B36G | 1/4" (6.35) | 1000 (454) | 96 (44) |
| | D3B36H | 1/4" (6.35) | 1145 (519) | 136 (62) |

NOTICE:

- HALLIDAY PRODUCTS STAINLESS STEEL PORTABLE HOIST SHOULD NOT BE USED TO MOVE PEOPLE OR LOADS ABOVE PEOPLE.
- INSPECT CABLE AND HOOK CONNECTIONS BEFORE EACH USE.

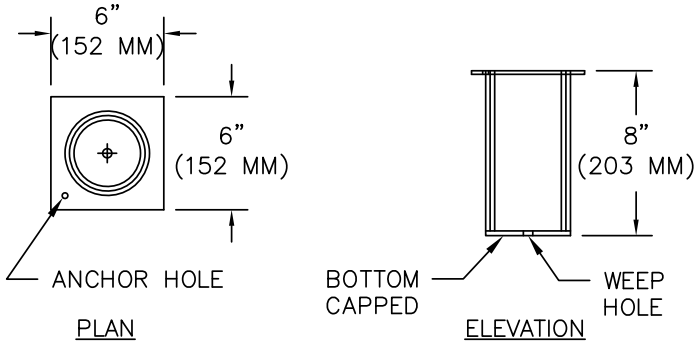


Series D Hoist Sockets

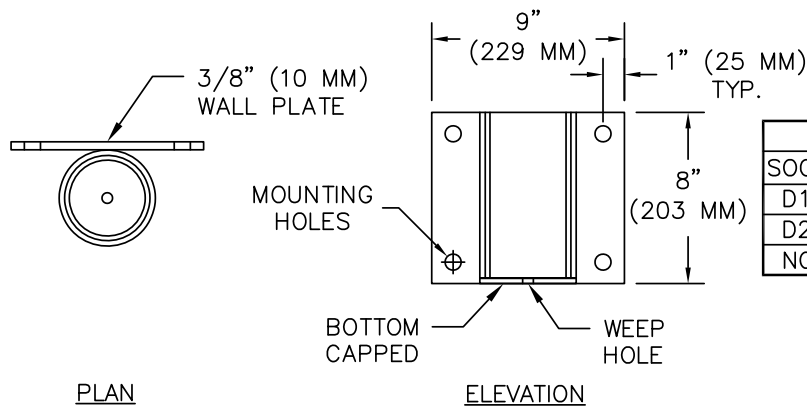


STANDARD FEATURES:

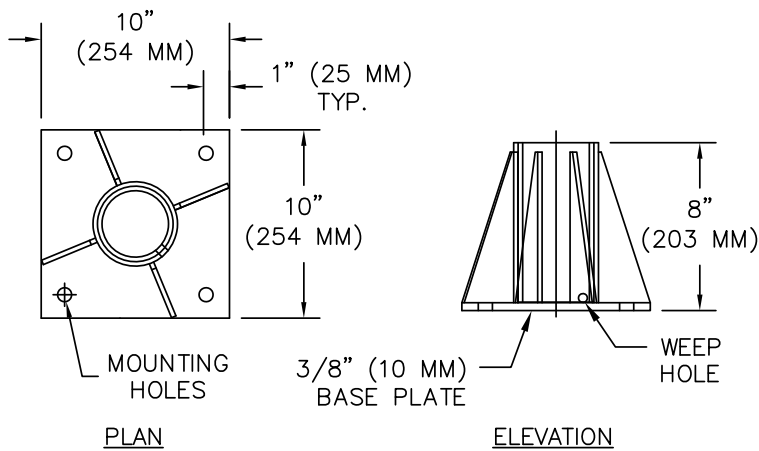
- STAINLESS STEEL TYPE-304 (STANDARD) OR TYPE-316 (OPTIONAL) CONSTRUCTION
- POLYMER LINING FOR SMOOTHER ROTATION
- AVAILABLE IN 3 STYLES
- 3 YEAR GUARANTEE



| EMBED HOIST SOCKETS | |
|---------------------|------------------|
| SOCKET MODEL # | FOR HOIST MODELS |
| D1R LINED | D1A AND D1B |
| D2R LINED | D2A AND D2B |
| D3R LINED | D3A AND D3B |



| WALL MOUNT HOIST SOCKETS | |
|--------------------------|------------------|
| SOCKET MODEL # | FOR HOIST MODELS |
| D1V LINED | D1A AND D1B |
| D2V LINED | D2A AND D2B |
| NOT AVAILABLE | D3A AND D3B |



| FLOOR MOUNT HOIST SOCKETS | |
|---------------------------|------------------|
| SOCKET MODEL # | FOR HOIST MODELS |
| D1S LINED | D1A AND D1B |
| D2S LINED | D2A AND D2B |
| D3S LINED | D3A AND D3B |

NOTES:
MOUNTING HOLES ARE $\phi 3/4"$ ($\phi 19$ MM)

Mixer Masts

REQUIRED INFORMATION:

- QUANTITY
- OVERALL TANK DEPTH
- TYPE 304 OR 316 STAINLESS
- 2" (51 MM) OR 4" (102 MM)

SQUARE TUBE WALL THICKNESS:

- .125" (3.2 MM)
- .1875" (4.8 MM)
- .25" (6.4 MM)

STANDARD FEATURES:

- AVAILABLE IN 2" (51 MM) AND 4" (102 MM) MO
- ALL WELDED CONSTRUCTION
- POLYMER BUSHINGS AT ALL PIVOT POINTS
- POSITIONER PLATE W/MULTIPLE SETTINGS
- HOIST SOCKET W/BUSHING
- STAINLESS STEEL M
- CUSTOM FIT FOR E
- PIVOTING BASE BR
- EXTENSION BRACKET
- YEAR GUARANTEE



LOWER BRACKET STYLE

- PIVOT BASE BRACKET (STANDARD)
- WALL MOUNT BASE BRACKET (OPTIC

ADDITIONAL OPTIONS

- PORTABLE HOIST (SPECIFY MIXER M
- MIXER STOP BRACKET (SPECIFY MIX
- EXTENSION BRACKET (FOR OFFSET
- LIFT CABLE
- STATIC CABLE



Series M Mixer Masts



STANDARD FEATURES:

- AVAILABLE IN 2" (51 MM) AND 4" (102 MM) MODELS
- ALL WELDED CONSTRUCTION
- POLYMER BUSHINGS AT ALL PIVOT POINTS
- POSITIONER PLATE W/MULTIPLE SETTINGS
- HOIST SOCKET W/BUSHING
- STAINLESS STEEL MOUNTING ANCHORS
- CUSTOM FIT FOR EACH APPLICATION
- PIVOTING BASE BRACKET
- EXTENSION BRACKETS AVAILABLE
- 3 YEAR GUARANTEE

REQUIRED INFORMATION:

- QUANTITY
- OVERALL TANK DEPTH
- TYPE 304 OR 316 STAINLESS STEEL
- 2" (51 MM) OR 4" (102 MM)

SQUARE TUBE WALL THICKNESS OPTIONS

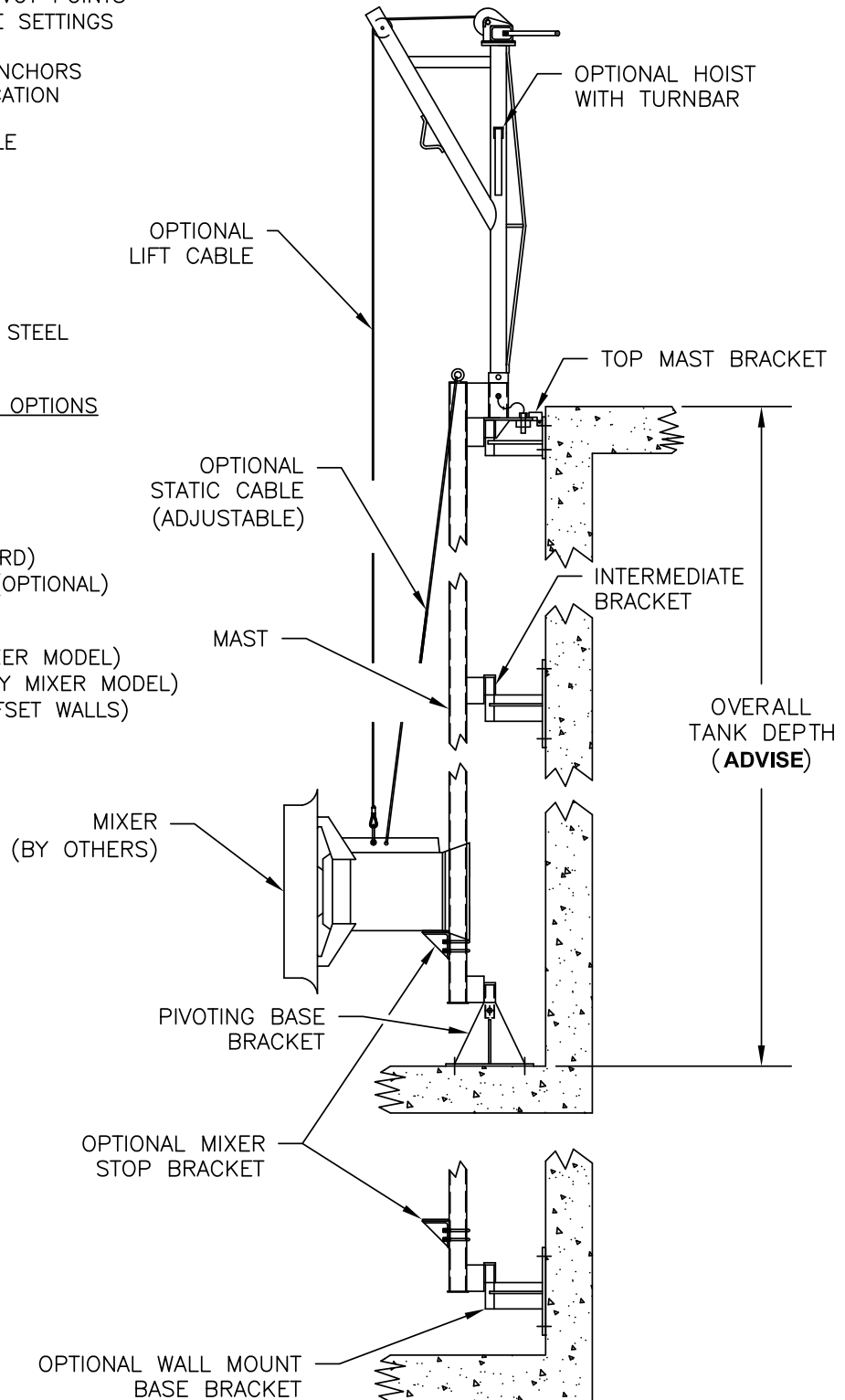
- .125" (3.2 MM)
- .1875" (4.8 MM)
- .25" (6.4 MM)

LOWER BRACKET STYLE

- PIVOT BASE BRACKET (STANDARD)
- WALL MOUNT BASE BRACKET (OPTIONAL)

ADDITIONAL OPTIONS

- PORTABLE HOIST (SPECIFY MIXER MODEL)
- MIXER STOP BRACKET (SPECIFY MIXER MODEL)
- EXTENSION BRACKET (FOR OFFSET WALLS)
- LIFT CABLE
- STATIC CABLE



Telescoping Valves

STANDARD FEATURES:

- T-304 STAINLESS STEEL CONSTRUCTION (NOTE: NOT AVAILABLE IN T-316 S.STL.)
- NON-RISING STEM DESIGN
- 16" (406 MM) DIAMETER ALUMINUM HANDWHEEL
- $\phi 1 \frac{1}{8}$ ($\phi 29$ MM) S.STL. TRIPLE LEAD ACME ROD
- BRASS LIFTING NUT
- POLYMER BEARING PADS
- 150# S.STL. COMPANION FLANGE
- $\frac{1}{4}$ " (7 MM) THICK NEOPRENE WIPE GASKET (2)
- 3 YEAR GUARANTEE

REQUIRED INFORMATION:

- BASE PLATE ELEVATION
- OFFSET - IF REQUIRED
- HIGH WATER ELEVATION
- SLIDE PIPE MODEL (501, 502, 503)
- LENGTH OF TRAVEL
- EXISTING RISER PIPE SIZE

MODEL 501

MODEL 502

MODEL 503



Series V4A Telescoping Valve



STANDARD FEATURES:

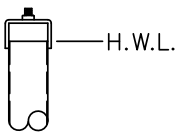
- T-304 STAINLESS STEEL CONSTRUCTION
(NOTE: NOT AVAILABLE IN T-316 S.STL.)
- NON-RISING STEM DESIGN
- 16" (406 MM) DIAMETER ALUMINUM HANDWHEEL
- $\phi 1 \frac{1}{8}$ ($\phi 29$ MM) S.STL. TRIPLE LEAD ACME ROD
- BRASS LIFTING NUT
- POLYMER BEARING PADS
- 150# S.STL. COMPANION FLANGE
- 1/4" (7 MM) THICK NEOPRENE WIPE GASKET (2)
- 3 YEAR GUARANTEE

REQUIRED INFORMATION:

- BASE PLATE ELEVATION
- OFFSET - IF REQUIRED
- HIGH WATER ELEVATION
- SLIDE PIPE MODEL (501, 502, 503)
- LENGTH OF TRAVEL
- EXISTING RISER PIPE SIZE

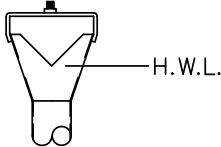
MODEL 501

SLIDE PIPE



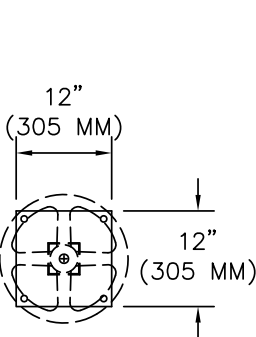
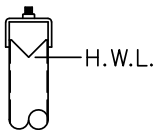
MODEL 502

SLIDE PIPE WITH CONE "V" WEIR TOP



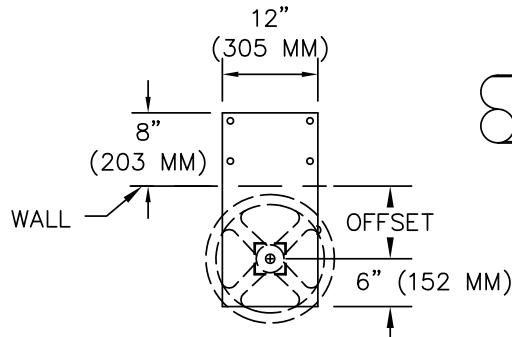
MODEL 503

SLIDE PIPE WITH "V" WEIR TOP



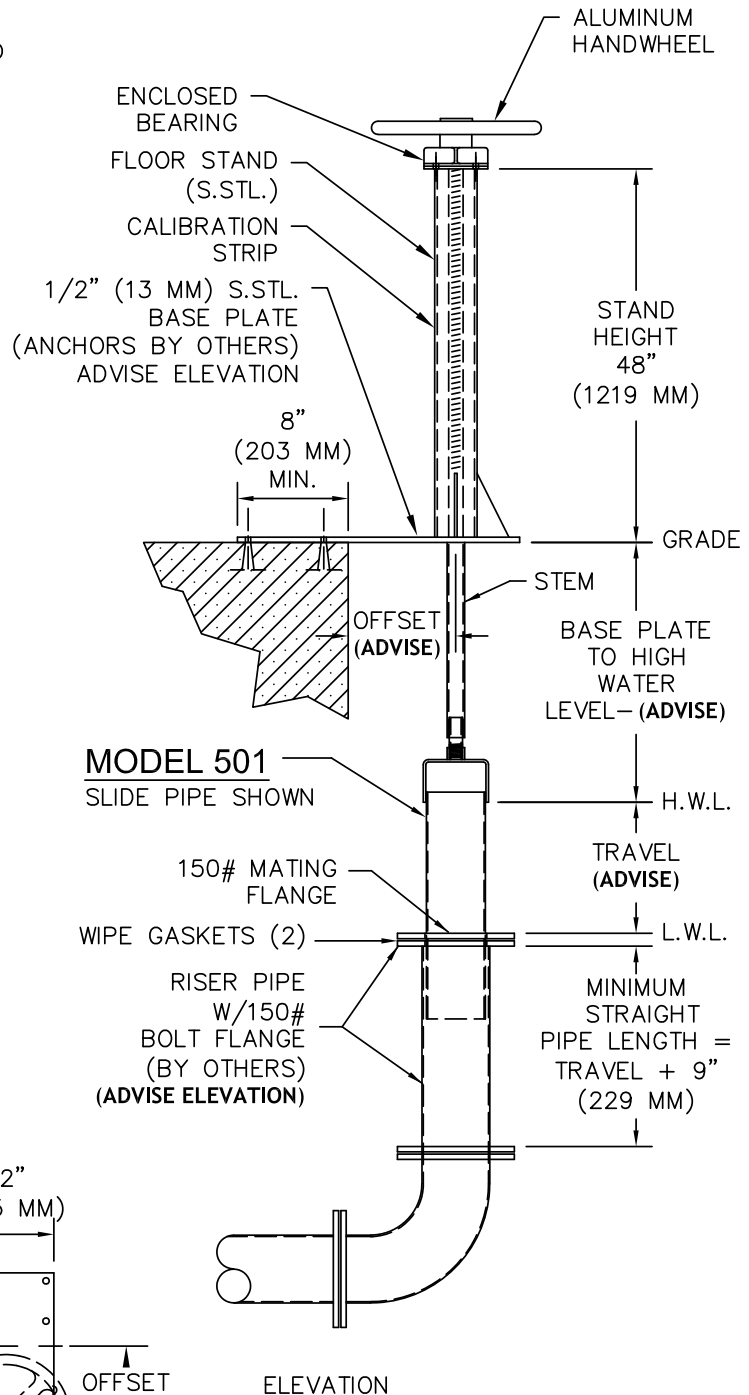
SQUARE BASE

(3/8" (10 MM) S.STL. PLATE)



OFFSET BASE

(1/2" (13 MM) S.STL. PLATE)



Series V4R Telescoping Valve



STANDARD FEATURES:

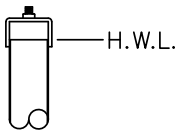
- T-304 STAINLESS STEEL CONSTRUCTION
(NOT AVAILABLE IN T-316 S.STL.)
- RISING STEM DESIGN
- 16" (406 MM) DIAMETER ALUMINUM HANDWHEEL
- 1" (25 MM) STAINLESS STEEL RACK W/S.STL. PINION
- OIL-IMPREGNATED SINTERED BRONZE BEARING
- CLEAR STEM COVER WITH CALIBRATION STRIP
- 150# S.STL. COMPANION FLANGE
- 1/4" (7 MM) THICK NEOPRENE WIPE GASKET (2)
- 3 YEAR GUARANTEE

REQUIRED INFORMATION:

- BASE PLATE ELEVATION
- OFFSET - IF REQUIRED
- HIGH WATER ELEVATION
- SLIDE PIPE MODEL (501, 502, 503)
- LENGTH OF TRAVEL
- EXISTING RISER PIPE SIZE

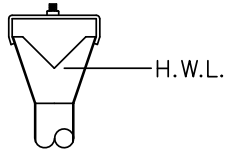
MODEL 501

SLIDE PIPE



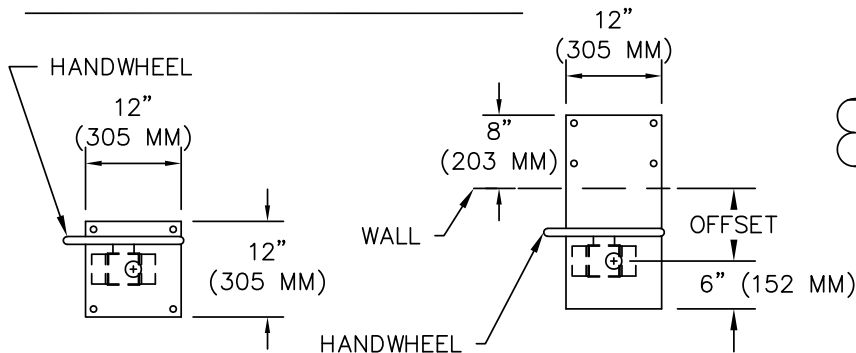
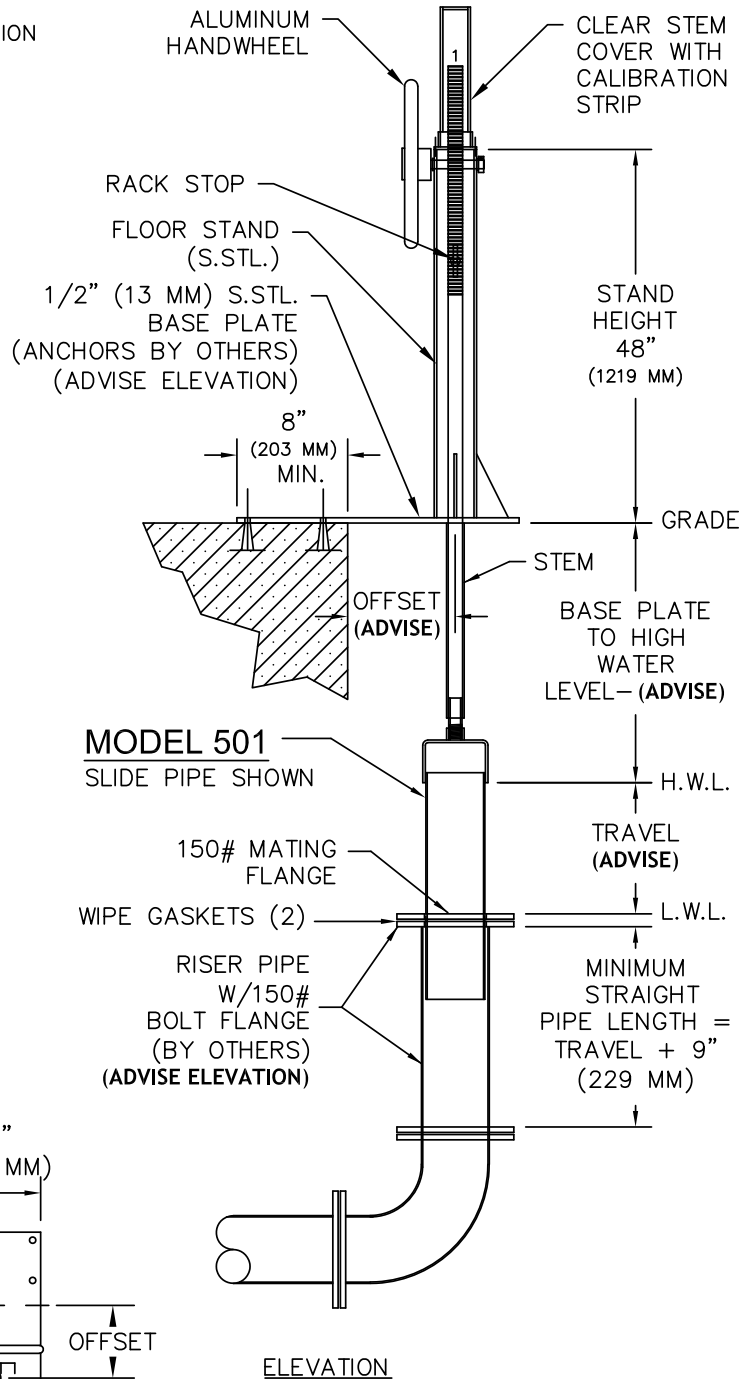
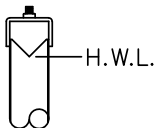
MODEL 502

SLIDE PIPE WITH CONE "V" WEIR TOP



MODEL 503

SLIDE PIPE WITH "V" WEIR TOP



SQUARE BASE

(3/8" (10 MM) S.STL. PLATE)

OFFSET BASE

(1/2" (13 MM) S.STL. PLATE)

PORTABLE PROTECTION

FALL-THRU PREVENTION SYSTEM

Halliday Products is now the exclusive USA manufacturer of the New Portable Manhole Safety Gate, designed by Mass Products.

safety
grates
™/MSS



Easily installed, just fold and move to where you need it.



Hinged opening provides easy access to manholes.



Slot and nylon roller for hoses and camera.



Series P Portable Manhole Safety Grate

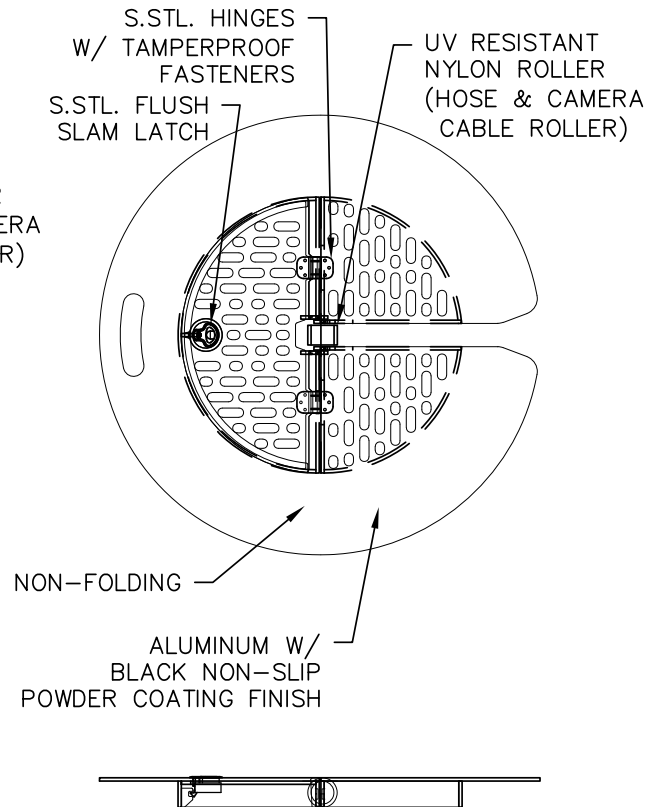
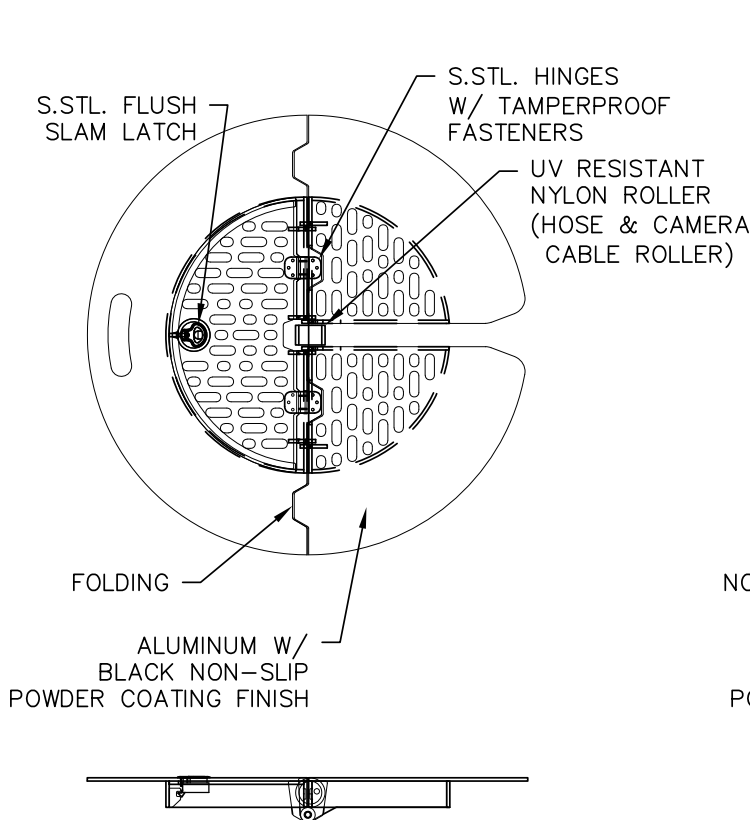


STANDARD FEATURES:

- ALL ALUMINUM CONSTRUCTION (HIGH QUALITY, LIGHTWEIGHT MATERIAL)
- SPECIAL BLACK NON-SLIP POWDER COATED FINISH
- SINGLE PORT ACCESS OPENING FOR SAFETY
- A "UV" RESISTANT NYLON ROLLER TO ACCOMMODATE JET ROD HOSES AND CAMERA CABLES
- SELF-VENTILATING ALLOWING FOR NATURAL AIR FLOW AND/OR SMOKE TESTING
- T-316 STAINLESS STEEL HINGES AND HARDWARE
- 300 LBS. PER SQ. FT. LOAD RATING (1464 KG PER SQ. METER LOAD RATING)
- PORTABLE FOLDING & NON-FOLDING DESIGNS

| STANDARD SIZES (FOLDING) | | | |
|--------------------------|-----------|----------------------------------|-------------------|
| QTY. | MODEL NO. | MANHOLE SIZE INCHES (MM) | UNIT WT. LBS (KG) |
| | P1S B | 21.654" – 25.591" (550 – 650) | 27 (12.4) |
| | P1S C | 29.33" – 33.267" (745 – 845) | 32 (14.5) |

| STANDARD SIZE (NON-FOLDING) | | | |
|-----------------------------|-----------|----------------------------------|-------------------|
| QTY. | MODEL NO. | MANHOLE SIZE INCHES (MM) | UNIT WT. LBS (KG) |
| | P1S N | 21.654" – 25.591" (550 – 650) | 28 (12.7) |



P1S SERIES R0

Ladders/Safety Extension

SERIES L1B AND L1D LADDERS

STANDARD FEATURES

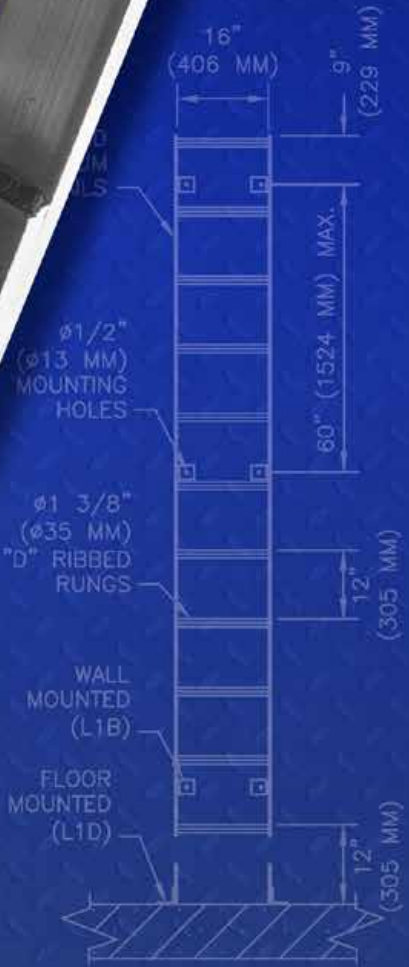
- ALL ALUMINUM CONSTRUCTION
- 1 3/8" DIAMETER RAILS WITH SLIP RESISTANT SURFACE
- CUSTOM FIT WALL MOUNTING BRACKETS
- FLOOR AND WALL MOUNTING (SPECIFY)
- FLAT OR RIBBED RUNGS (SPECIFY)
- ALSO AVAILABLE IN STAINLESS STEEL CONSTRUCTION
- 3-YEAR WARRANTY

REQUIRED INFORMATION

- BASIN DIAMETER
- RAIL LENGTH
- STANDOFF
- L1B OR L1D
- L1B MADE

STANDOFF
[178 MM] MIN.)
(ADVISE)

SPECIFY DIAMETER
FOR WALL MOUNTING



Series L1B and L1D Ladders

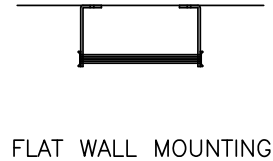
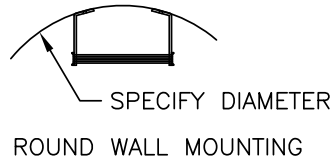


STANDARD FEATURES:

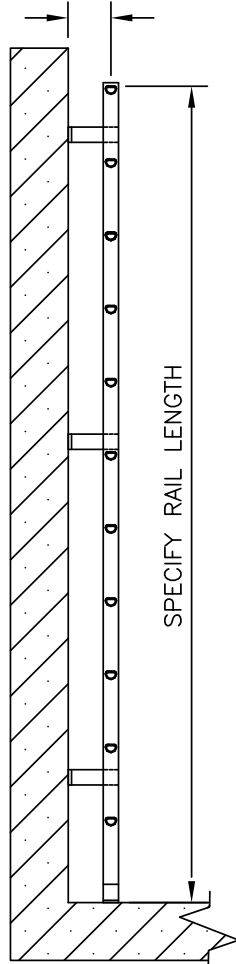
- ALL ALUMINUM WELDED CONSTRUCTION
- 1 3/8" DIAMETER TYPE "D" RUNG WITH SLIP RESISTANT SURFACE
- CUSTOM FIT WALL MOUNTED STANDOFFS
- FLOOR AND WALL OR WALL-ONLY MOUNTING (SPECIFY)
- FLAT OR ROUND WALL MOUNTING (SPECIFY)
- ALSO AVAILABLE IN T-304 OR T-316 STAINLESS STEEL CONSTRUCTION
- 3 YEAR GUARANTEE

REQUIRED INFORMATION:

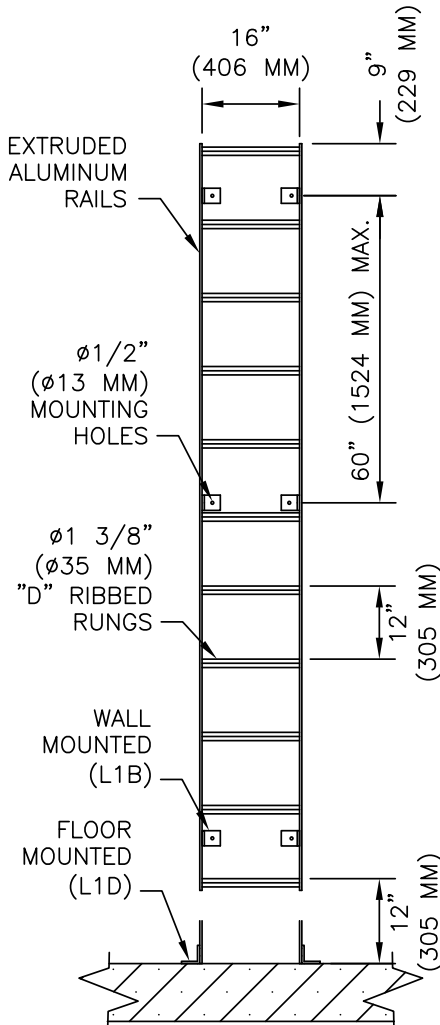
- BASIN DIAMETER OR FLAT WALL
- RAIL LENGTH IN FEET
- STANDOFF LENGTH (7" [178 MM] MIN.)
- L1B OR L1D MOUNTING
- L1B MADE IN EVEN FOOT INCREMENTS ONLY



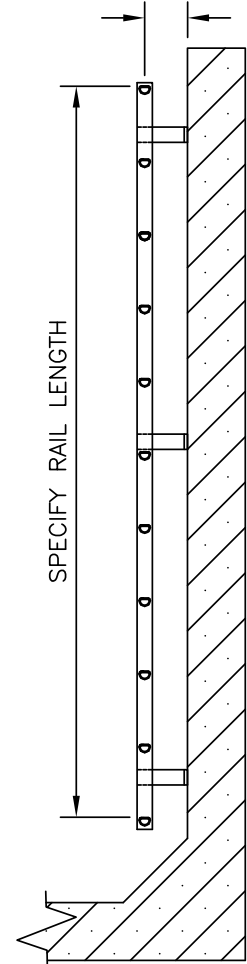
STANDOFF
(7" [178 MM] MIN.)
(ADVISE)



L1D (FLOOR AND WALL MOUNT)



STANDOFF
(7" [178 MM] MIN.)
(ADVISE)



L1B (WALL MOUNT)

Series L1E Ladder Extension



STANDARD FEATURES:

- EASY TO INSTALL ON ALUMINUM OR STAINLESS LADDERS
- SECURE LOCKING IN THE EXTENDED POSITION
- LIGHT WEIGHT OPERATION
- ALL ALUMINUM AND STAINLESS STEEL CONSTRUCTION
- ALSO AVAILABLE IN ALL TYPE 304 OR TYPE 316 S.STL. CONSTRUCTION
- 3 YEAR GUARANTEE

| MODEL NO. | HEIGHT INCHES (MM) | ABOVE LADDER INCHES (MM) | MINIMUM TANK DEPTH INCHES (MM) |
|-----------|--------------------|--------------------------|--------------------------------|
| A | 37" (940 MM) | 42" (1067 MM) | 73" (1854 MM) |
| B | 34" (864 MM) | 39" (991 MM) | 55" (1397 MM) |

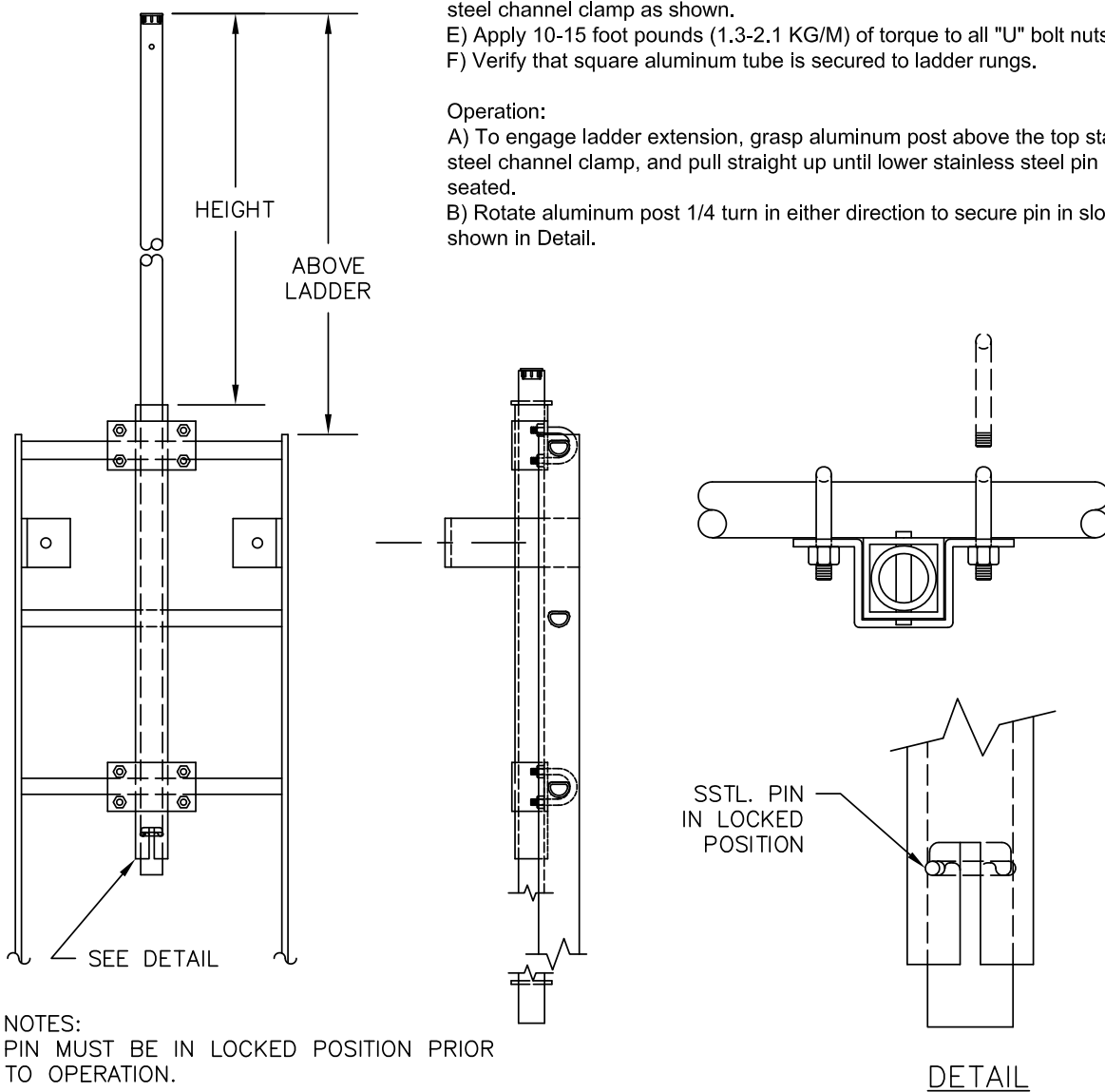
INSTALLATION & OPERATION INSTRUCTIONS

Installation:

- Place ladder flat on the ground with standoffs up.
- Place 2" (51 MM) square aluminum tube in center of rungs with the "T" shaped slot below third rung as shown (Model A) or second rung (Model B).
- Place stainless steel channel clamp over square aluminum tube so "U" bolt holes line up on either side of rungs as shown.
- Insert stainless steel "U" bolts over rung and through holes in stainless steel channel clamp as shown.
- Apply 10-15 foot pounds (1.3-2.1 KG/M) of torque to all "U" bolt nuts.
- Verify that square aluminum tube is secured to ladder rungs.

Operation:

- To engage ladder extension, grasp aluminum post above the top stainless steel channel clamp, and pull straight up until lower stainless steel pin is seated.
- Rotate aluminum post 1/4 turn in either direction to secure pin in slot as shown in Detail.



NOTES:
PIN MUST BE IN LOCKED POSITION PRIOR TO OPERATION.

Debris Baskets

STANDARD FEATURES:

- ALL ALUMINUM CONSTRUCTION
- PUNCHED HOLE SCREENING STYLE
- EXTRUDED ALUMINUM GUIDERAIL
- CUSTOM SIZES AVAILABLE
- PIPE RAIL & CHANNEL GUIDERAIL AVAILABLE
- ALSO AVAILABLE IN T-304 OR T-316 STAINLESS STEEL CONSTRUCTION
- RECOMMENDED UP TO 8" INFLUENT PIPE



STANDOFF
(7" [178 MM])
(ADVISE)

INFLUENT PIPE
BASKET BACK

BASKET STOP
(LOCATE)

INFLUENT PIPE

INFLUENT PIPE

RAILS MOUNTED IN FLANK
FLUSH INFLUENT PIPE

RAILS MOUNTED IN ROUND
BEGIN

Ø2" (Ø51 MM)
HOLE ON
3" CENTER

2 5/8" (65 MM)

18" (457 MM)

9" (229 MM)

28" (711 MM)

9" (229 MM) BACK

8" (203 MM)

BASKET

INFLUENT PIPE

STOP

BASKET AND RAILS



Series B1A Trash Basket

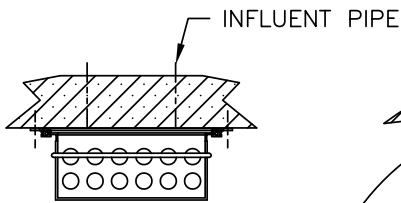


STANDARD FEATURES:

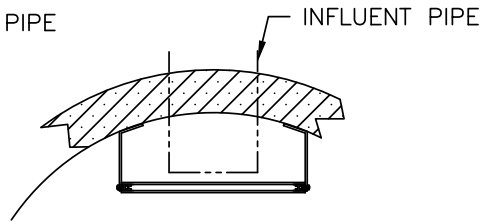
- ALL ALUMINUM CONSTRUCTION
- PUNCHED HOLE SCREENING STYLE
- EXTRUDED ALUMINUM GUIDERAIL
- CUSTOM SIZES AVAILABLE
- PIPE RAIL & CHANNEL GUIDERAIL AVAILABLE
- ALSO AVAILABLE IN T-304 OR T-316 S.STL. CONSTRUCTION
- RECOMMENDED UP TO 8" INFLUENT PIPE

REQUIRED INFORMATION:

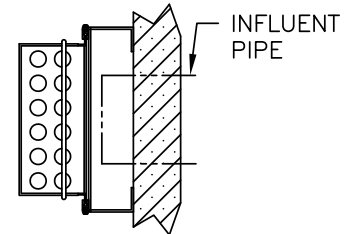
- BASIN DIAMETER
- RAIL LENGTH
- STANDOFF LENGTH



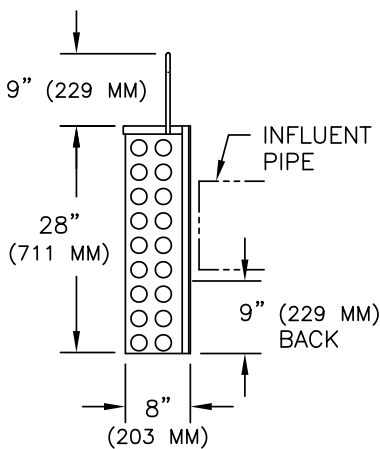
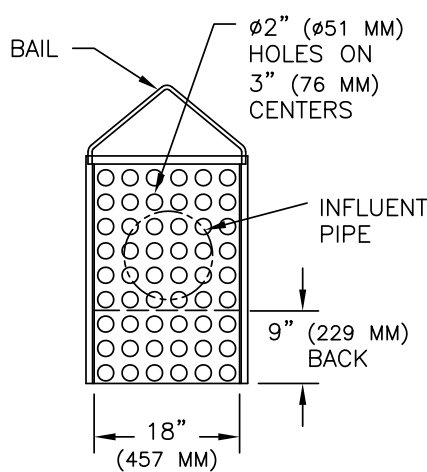
RAILS MOUNTED IN TANK W/FLUSH INFLUENT PIPE



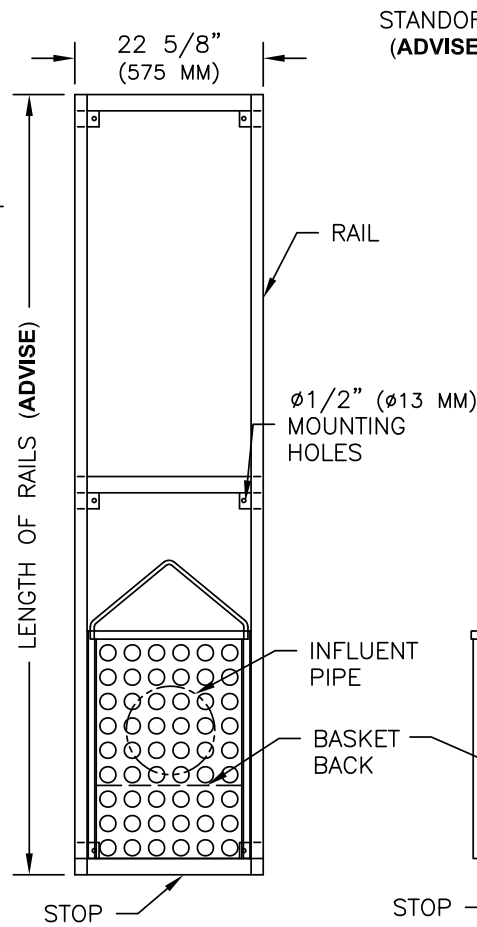
RAILS MOUNTED IN ROUND BASIN



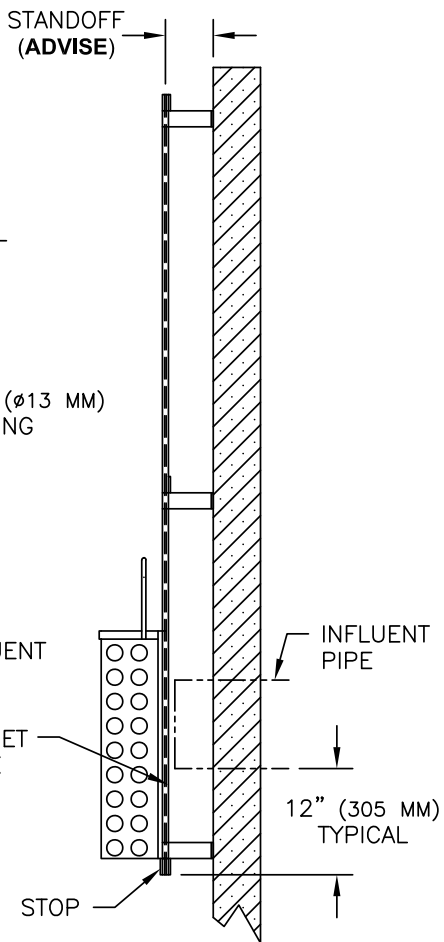
RAILS MOUNTED IN RECTANGULAR BASIN



BASKET



BASKET AND RAILS



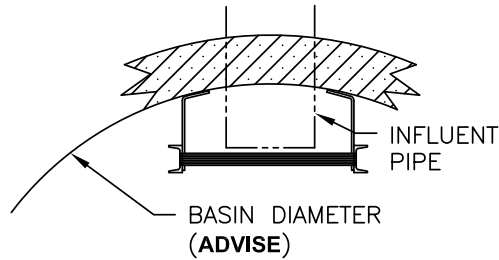
Series B1B Trash Basket

STANDARD FEATURES:

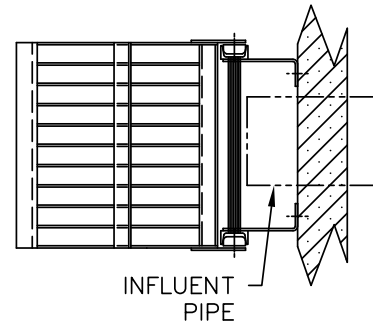
- ALL ALUMINUM CONSTRUCTION
- SOLID ALUMINUM WHEELS AND STAINLESS STEEL AXLES
- 1 3/8" (35 MM) TYPE "D" RUNG W/ SLIP RESISTANT SURFACE
- BAR SCREEN STYLE BASKET
- HEAVY DUTY LADDER/GUIDE RAIL COMBINATION
- AVAILABLE W/O LADDER RUNGS (GUIDE RAILS ONLY)
- CUSTOM SIZES AVAILABLE
- ALSO AVAILABLE IN T-304 OR T-316 S.STL. CONSTRUCTION

REQUIRED INFORMATION:

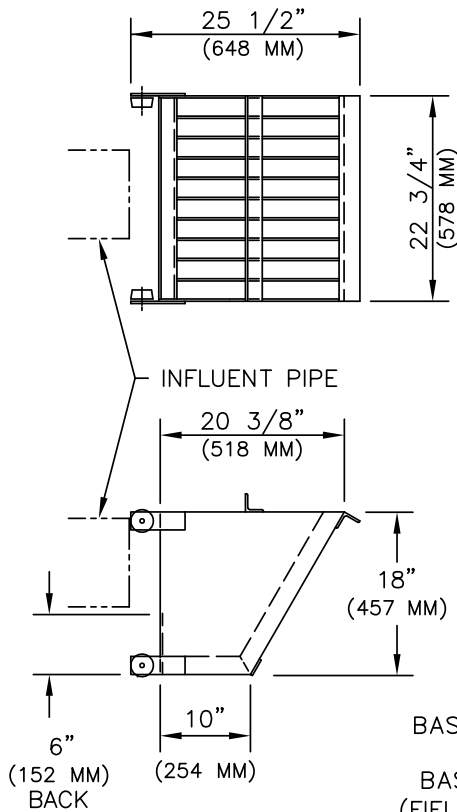
- BASIN DIAMETER
- RAIL LENGTH
- STANDOFF LENGTH (7" [178 MM] MIN. FOR LADDER COMBO)



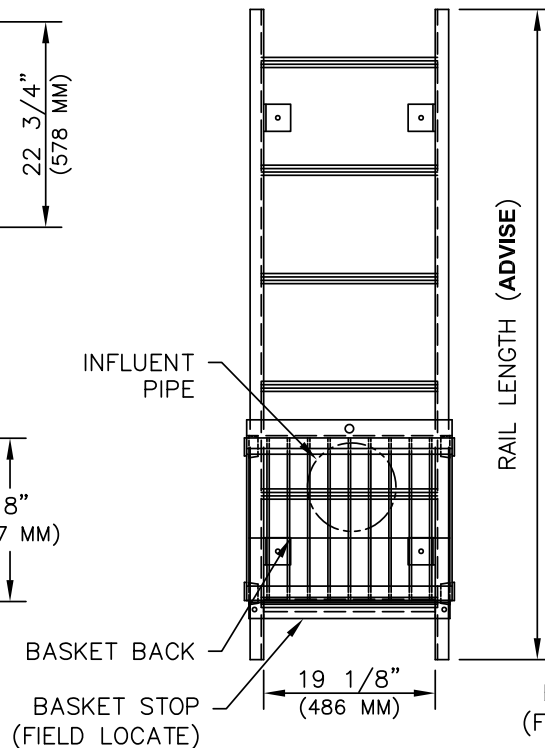
ROUND WALL MOUNTING



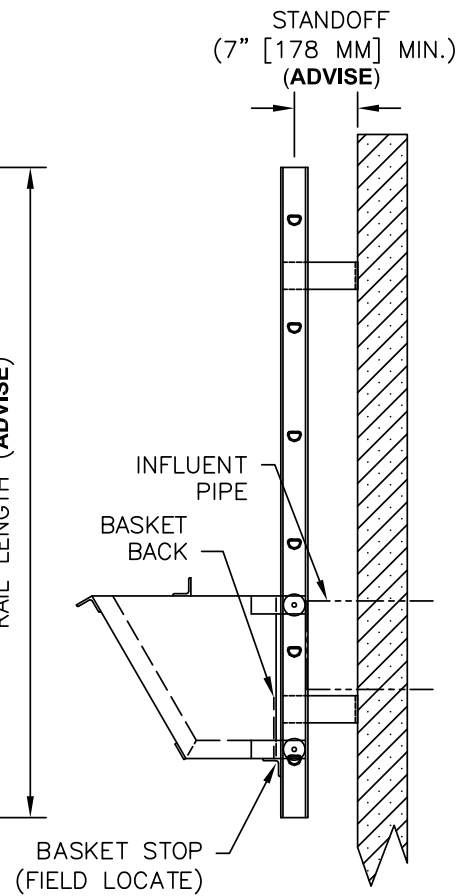
FLAT WALL MOUNTING



BASKET



BASKET AND RAILS



Slide and Stop Gates

STANDARD FEATURES:

- ONE-PIECE 6061-T6 EXTRUDED ALUMINUM FRAME
- ONE-PIECE POLYMER GUIDE
- 1/4" (7 MM) THICK REINFORCED ACME ROD
- 1/32" (0.762 MM) THICK LIFTING NUT
- LOW PROFILE DESIGN
- DEFLECTOR FOR OPTIMUM OPERATION
- 12" (305 MM) DIAMETER ALL-ALUMINUM HANDWHEEL
- 1/2" (12.7 MM) S.S.T.L. TRUSS ROD ACME ROD
- POLYMER BEARING PADS
- STAINLESS STEEL HARDWARE WITHOUT COATING ON FRAME
- NON-OZONE DEPLETING BITUMINOUS COATING ON FRAME
- OPTIONAL CLEAR STEM COVER
- 3 YEAR GUARANTEE



RISING STE

RISING STE

GATE

CHANNEL WIDTH (ADVISE)

(ADVISE)

(ADVISE)

SERIES G1A
L MOUNTED

SERIES G1B
(EMBEDDED)

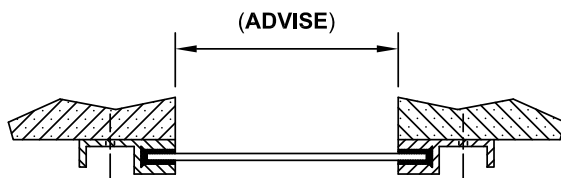
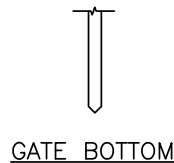
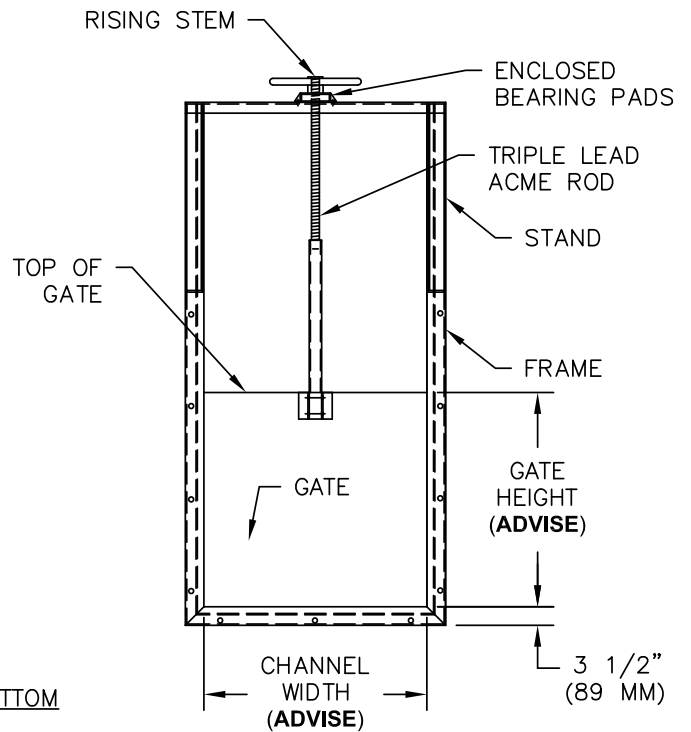
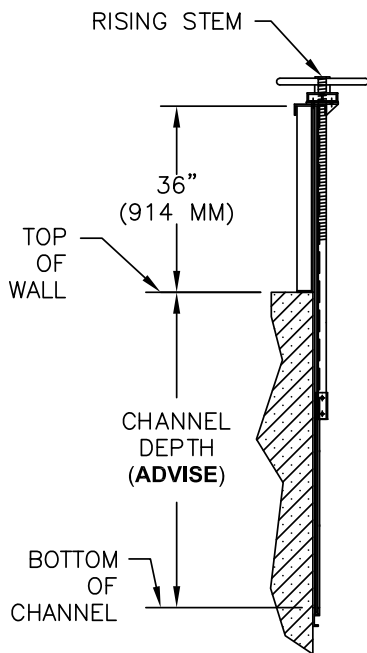
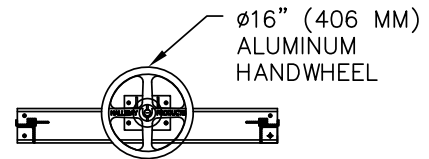


Series G1A and G1B Slide Gates

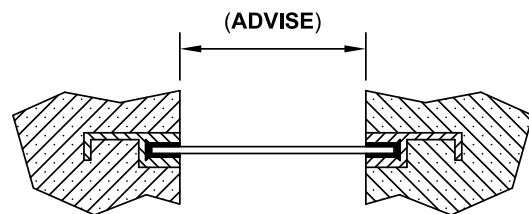


STANDARD FEATURES:

- ONE-PIECE 6061-T6 EXTRUDED ALUMINUM FRAME
- ONE-PIECE POLYMER GUIDE
- 1/4" (7 MM) THICK 6061-T6 ALUMINUM GATE REINFORCED AS REQUIRED TO DEFLECT NO MORE THAN 1/360th OF SPAN (5' MAX HEAD PRESSURE)
- LOW COEFFICIENT OF FRICTION
- DEEP SEATING FOR OPTIMUM TRACKING
- 16" (406 MM) DIAMETER ALUMINUM HANDWHEEL
- $\phi 1 \frac{1}{8}$ ($\phi 29$ MM) S.STL. TRIPLE LEAD ACME ROD
- BRASS LIFTING NUT
- POLYMER BEARING PADS
- STAINLESS STEEL HARDWARE THROUGHOUT
- NON-OZONE DEPLETING BITUMINOUS COATING ON FRAME
- OPTIONAL CLEAR STEM COVER
- 3 YEAR GUARANTEE



SERIES G1A
(WALL MOUNTED)



SERIES G1B
(EMBEDDED)

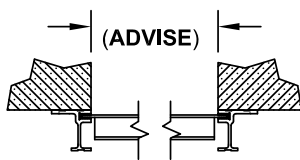
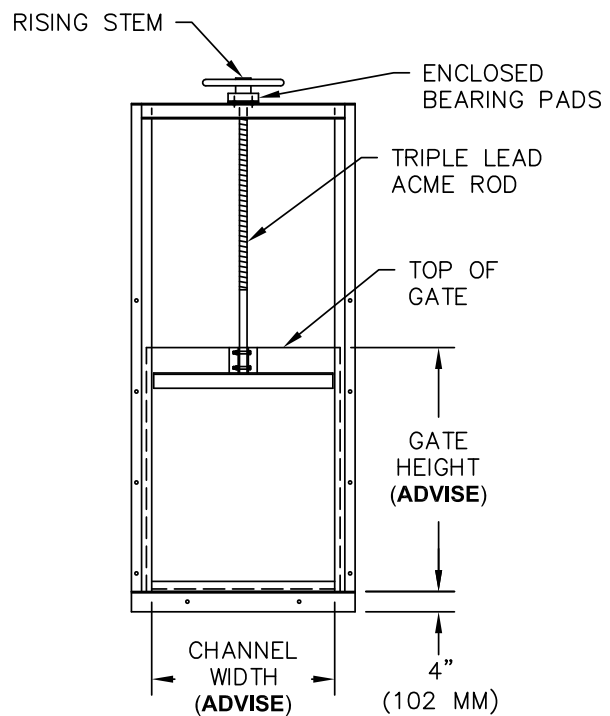
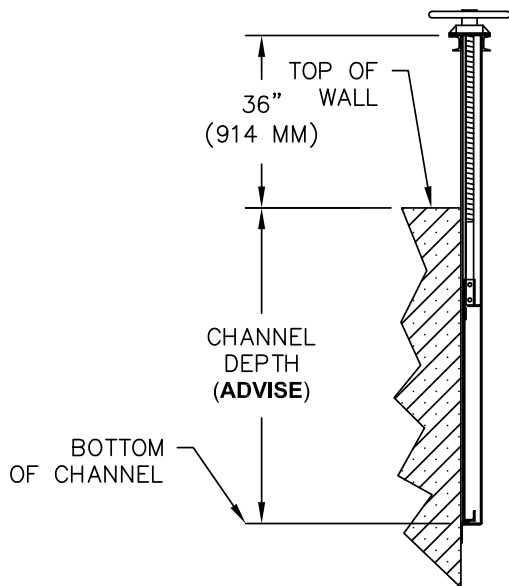
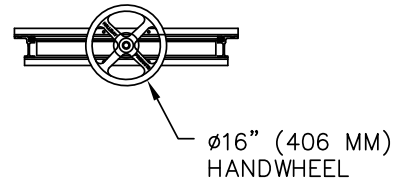
G1A & G1B SERIES R

Series G1D and G1E Slide Gates

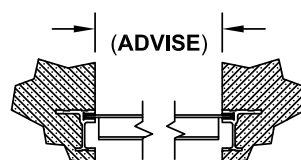
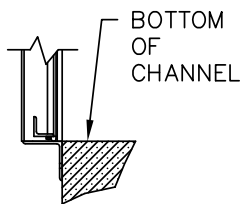


STANDARD FEATURES:

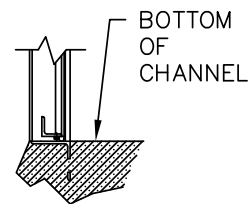
- ONE-PIECE 6061-T6 EXTRUDED ALUMINUM FRAME WEIGHING 4 LBS./FT. (6 KG/METER)
- DUAL SLOT DESIGN
- ONE-PIECE POLYMER GUIDE
- 1/4" (7 MM) THICK 6061-T6 ALUMINUM GATE REINFORCED AS REQUIRED TO DEFLECT NO MORE THAN 1/360th OF SPAN (5' MAX HEAD PRESSURE)
- LOW COEFFICIENT OF FRICTION
- DEEP SEATING FOR OPTIMUM TRACKING
- 16" (406 MM) DIAMETER ALUMINUM HANDWHEEL
- $\phi 1 \frac{1}{2}$ ($\phi 38$ MM) S.STL. TRIPLE LEAD ACME ROD
- BRASS LIFTING NUT
- POLYMER BEARING PADS
- STAINLESS STEEL HARDWARE THROUGHOUT
- NON-OZONE DEPLETING BITUMINOUS COATING ON FRAME
- OPTIONAL CLEAR STEM COVER
- 3 YEAR GUARANTEE



SERIES G1D
(WALL MOUNTED)



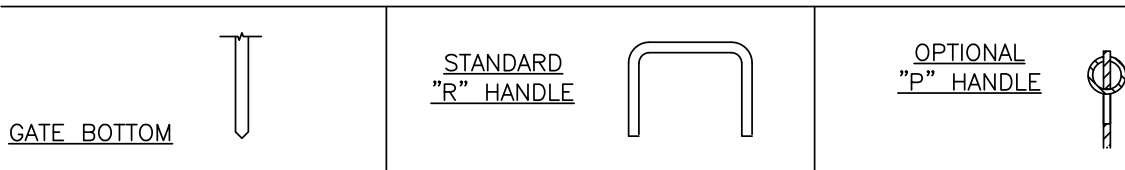
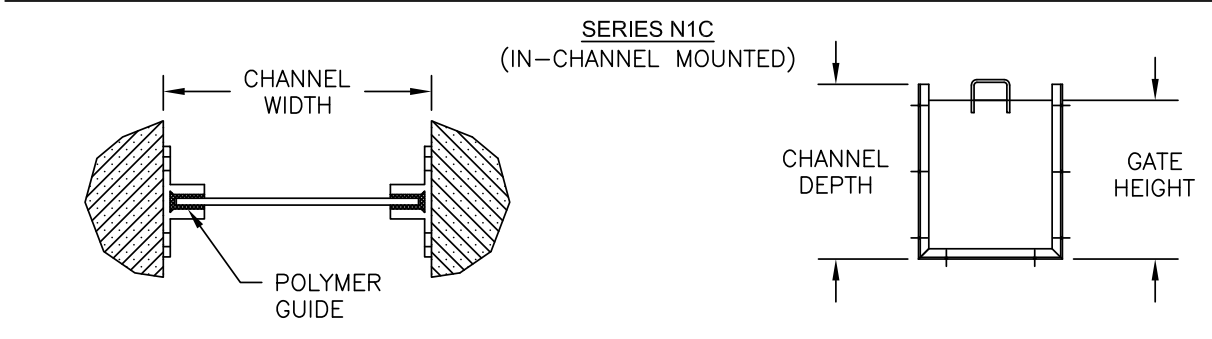
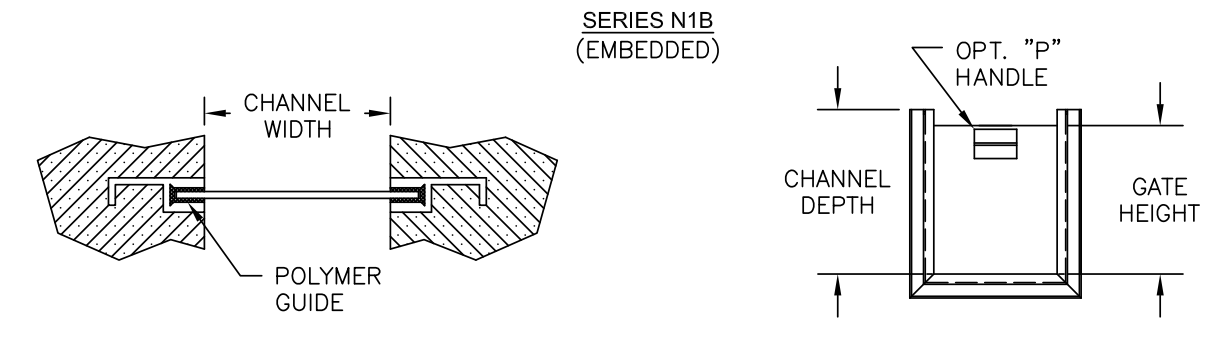
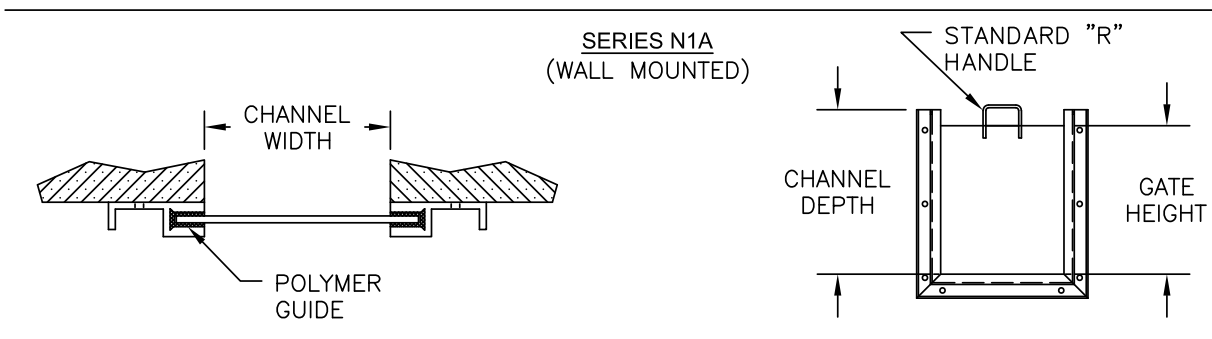
SERIES G1E
(EMBEDDED)



Series N1 Stop Gate

STANDARD FEATURES:

- ONE-PIECE 6061-T6 EXTRUDED ALUMINUM FRAME
- ONE-PIECE POLYMER GUIDE
- 1/4" (7 MM) THICK 6061-T6 ALUMINUM GATE REINFORCED TO DEFLECT NO MORE THAN 1/360th OF SPAN (5' MAX HEAD PRESSURE)
- LOW COEFFICIENT OF FRICTION
- NON-OZONE DEPLETING BITUMINOUS COATING ON FRAME
- DEEP SEATING FOR OPTIMUM TRACKING
- STANDARD "R" HANDLE OR OPTIONAL "P" HANDLE
- SERIES N1A AND N1C SUPPLIED WITH $\varnothing 9/16"$ (14 MM) MOUNTING HOLES AND 1/2" (13 MM) X 4" (102 MM) S.STL. WEDGE ANCHORS
- 3 YEAR GUARANTEE



Guide Rail Brackets

STANDARD FEATURES:

- AVAILABLE IN TYPE 304 OR 316 STAINLESS STEEL
- SINGLE AND DOUBLE RAIL DESIGNS
- UPPER AND INTERMEDIATE BRACKETS AVAILABLE
- MANUFACTURED FOR ALL SUBMERSIBLE PUMPS
- MOST UPPER BRACKETS PROVIDED WITH NEOPRENE BUSHINGS WITH COMPRESSION STEMS

HALLIDAY PRODUCTS INC. MANUFACTURES A VARIETY OF STAINLESS STEEL UPPER AND INTERMEDIATE GUIDE RAIL BRACKETS THAT ARE USED ON ALL MAJOR SUBMERSIBLE PUMP LINES. PRICING AS WELL AS FIT AND ALIGNMENT INFORMATION IS REQUIRED.

UPPER BRACKETS:

- MANUFACTURER (PUMP)
- DISCHARGE PIPE SIZE
- GUIDE RAIL SPACING
- DISTANCE FROM FACE OF WALL TO CENTERLINE OF GUIDE RAIL
- TYPICAL FOR T-316 STAINLESS STEEL

FOR INTERMEDIATE BRACKETS:

- DISCHARGE PIPE SIZE
- CENTERLINE OF GUIDE RAIL TO CENTERLINE OF DISCHARGE DIMENSION

UPPER GUIDE RAIL BRACKET



DOUBLE RAIL



SINGLE RAIL

INTERMEDIATE GUIDE RAIL BRACKET



DOUBLE RAIL



SINGLE RAIL



Series U Guide Rail Brackets



STANDARD FEATURES:

- AVAILABLE IN TYPE 304 OR 316 STAINLESS STEEL
- SINGLE AND DOUBLE RAIL DESIGNS
- UPPER AND INTERMEDIATE BRACKETS AVAILABLE
- MANUFACTURED FOR ALL SUBMERSIBLE PUMPS
- MOST UPPER BRACKETS PROVIDED WITH NEOPRENE BUSHINGS WITH COMPRESSION STEMS

HALLIDAY PRODUCTS INC. MANUFACTURES A WIDE VARIETY OF STAINLESS STEEL UPPER AND INTERMEDIATE GUIDE RAIL BRACKETS THAT ARE COMPATIBLE WITH ALL MAJOR SUBMERSIBLE PUMP LINES. TO INSURE PROPER PRICING AS WELL AS FIT AND ALIGNMENT, THE FOLLOWING INFORMATION IS REQUIRED:

FOR UPPER BRACKETS:

- PUMP MANUFACTURER
- GUIDE RAIL SIZE
- GUIDE RAIL SPACING
- DISTANCE FROM FACE OF WALL TO CENTERLINE OF GUIDE RAIL
- T-304 OR T-316 STAINLESS STEEL

FOR INTERMEDIATE BRACKETS:

- DISCHARGE PIPE SIZE
- CENTERLINE OF GUIDE RAIL TO CENTERLINE OF DISCHARGE DIMENSION

UPPER GUIDE RAIL BRACKET



SECTION

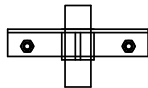
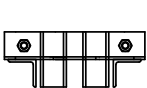


PLAN

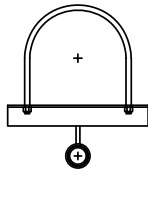
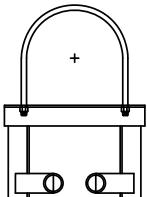
DOUBLE RAIL

SINGLE RAIL

INTERMEDIATE GUIDE RAIL BRACKET



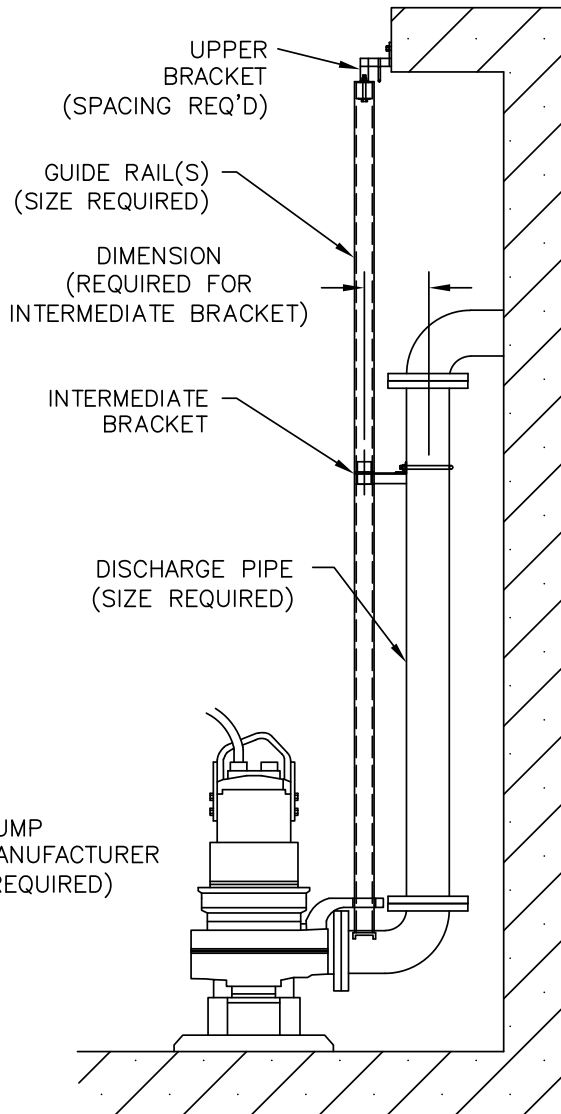
SECTION



PLAN

DOUBLE RAIL

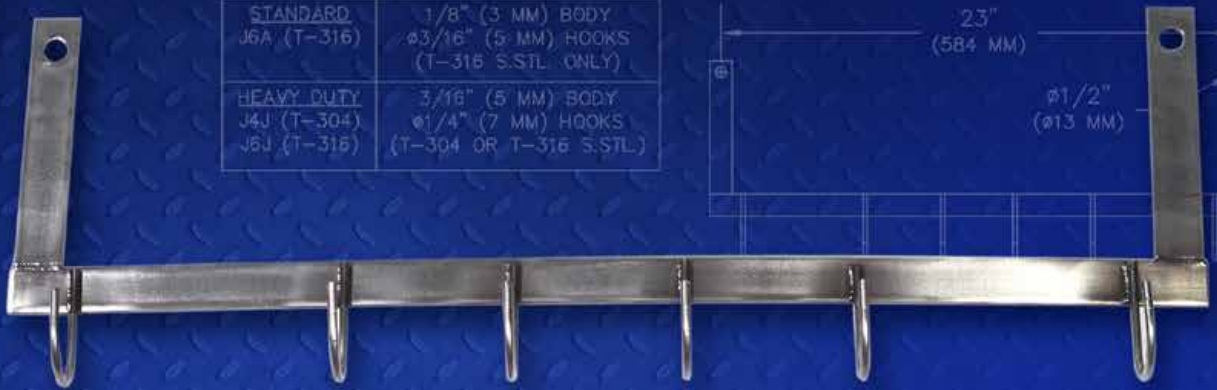
SINGLE RAIL



Accessories

SERIES J CABLE HOLDER

| MODEL | CABLE HOLDER |
|--|--|
| STANDARD J6A (T-316) | 1/8" (3 MM) BODY Ø3/16" (5 MM) HOOKS (T-316 S.STL. ONLY) |
| HEAVY DUTY J4J (T-304) J6J (T-316) | 3/16" (5 MM) BODY Ø1/4" (7 MM) HOOKS (T-304 OR T-316 S.STL.) |



STANDARD FEATURES:

- STAINLESS STEEL CONSTRUCTION
- 6 HOOKS STANDARD - FOR FLOAT SWITCHES
- AVAILABLE STANDARD DUTY OR HEAVY DUTY

SERIES A ANCHOR BOLT



STANDARD FEATURES:

- TYPE 316 STAINLESS STEEL
- SPECIAL SIZES AVAILABLE

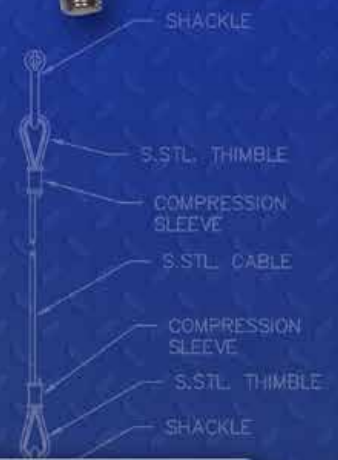
SERIES K-A CABLE ASSEMBLY

STANDARD FEATURES:

- TYPE 304 OR 316 STAINLESS STEEL CONSTRUCTION
- Ø1/4" (Ø7 MM) CABLE W/1285 LBS. (583 KG) SAFE LOAD
- VARIOUS HOOKS AND SHACKLES AVAILABLE
- ALSO AVAILABLE IN Ø3/16" (Ø5 MM)



1 TON SAFETY HOOK

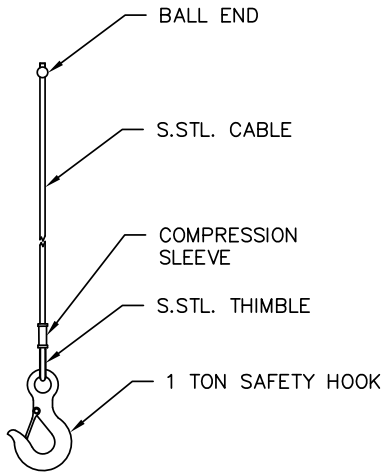


Series K4A Cable Assembly

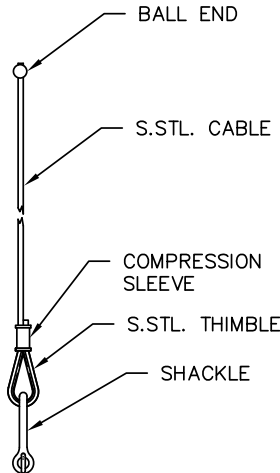


STANDARD FEATURES:

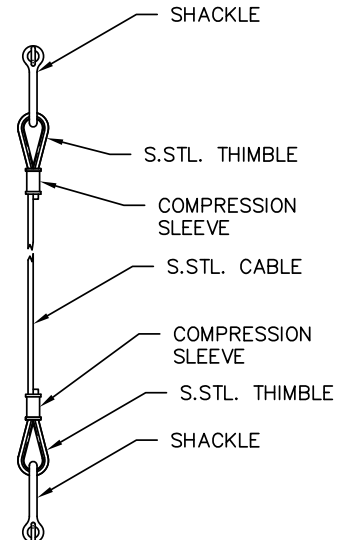
- TYPE 304 OR 316 STAINLESS STEEL CONSTRUCTION
- $\phi 1/4"$ ($\phi 7$ MM) CABLE W/1285 LBS (583 KG) SAFE LOAD
- VARIOUS HOOKS AND SHACKLES AVAILABLE
- ALSO AVAILABLE IN $\phi 3/16"$ ($\phi 5$ MM)



LIFT CABLE



MIXER CABLE



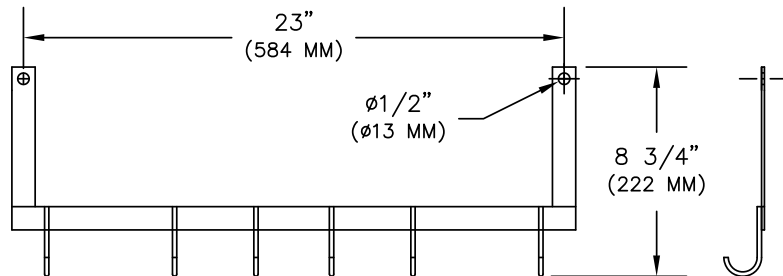
STATIC CABLE

SERIES J CABLE HOLDER

| MODEL | CABLE HOLDER |
|--|--|
| STANDARD J6A (T-316) | 1/8" (3 MM) BODY $\phi 3/16"$ (5 MM) HOOKS (T-316 S.STL. ONLY) |
| HEAVY DUTY J4J (T-304) J6J (T-316) | 3/16" (5 MM) BODY $\phi 1/4"$ (7 MM) HOOKS (T-304 OR T-316 S.STL.) |

STANDARD FEATURES:

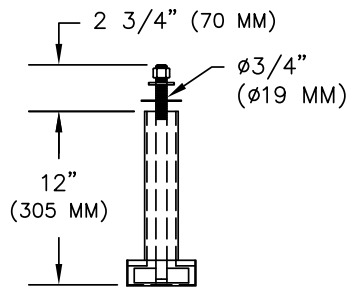
- STAINLESS STEEL CONSTRUCTION
- 6 HOOKS STANDARD - FOR FLOAT SWITCHES
- AVAILABLE STANDARD DUTY OR HEAVY DUTY



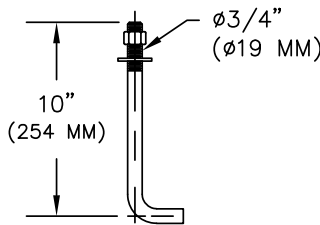
SERIES A ANCHOR BOLT

STANDARD FEATURES:

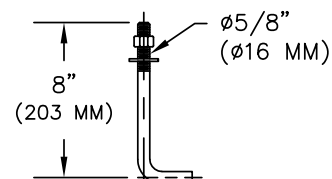
- TYPE 316 STAINLESS STEEL CONSTRUCTION
- SPECIAL SIZES AVAILABLE



MODEL A6E



MODEL A6C



MODEL A6B

**A few of the places
our products can be found...**



www.HallidayProducts.com

STANDARD FEATURES:

- TYPE-304 STAINLESS STEEL CONSTRUCTION
- 30 FEET (9.14 METERS) OF STAINLESS STEEL CABLE
- GALVANIZED 1 TON (907 KG) HOOK
- STAINLESS STEEL BRAKE WINCH
- ADJUSTABLE REACH IN 1" (25 MM) INCREMENTS

OPTIONS:

- TYPE-316 CONSTRUCTION
- ADDITIONAL CABLE AVAILABLE (SPECIFY LENGTH)
- ADDITIONAL WINCHES AVAILABLE
- STAINLESS STEEL HOOK
- OTHER REACHES AVAILABLE UPON REQUEST (CONSULT FACTORY)
- STAINLESS STEEL WINCH ASSEMBLY

ADJUSTABLE REACH
24" - 36"
(610 MM - 914 MM)

(STANDARD)

30FT (9.14 M)
S.S.TL. CABLE

1 TON
HOOK

STATIC
LOOP

LIFT HEIGHT @ REACH

(MM)

(MM)

SAFETY

24" (610 MM) REACH
(STANDARD)
60" (1524 MM)
OVERALL
HEIGHT

30FT (9.14 M)
S.S.TL. CABLE

1 TON
HOOK

STATIC
LOOP

DAVIT

29"
(745 MM)
LIFTING
HEIGHT

MAST

HP

HALLIDAY PRODUCTS

6401 EDGEWATER DRIVE
ORLANDO, FLORIDA 32810

800-298-1027
407-298-4470

www.HallidayProducts.com
sales@HallidayProducts.com

T-316 STAINLESS STEEL

