



C-432

- 9 mph max speed
- 70 in turning radius
- 8750 lb towing capacity*



HEAVY DUTY NARROW TOWING SOLUTIONS



Note: Vehicles in photos show optional equipment.

Our three-wheel design allows the C-432 to provide the shortest turning radius available in a sit-down combination burden carrier/tow tractor. With its 28-inch wheelbase, this vehicle can maneuver into corners other powered vehicles simply cannot reach.

Equipped with heavy-duty batteries and a built-in fully-automatic charger, this vehicle is always ready to go. It's ideal for moving loads over smooth floors in warehouses, hospitals, schools, and hotels where quiet, fume-free operation is necessary.

Customizations include strobe light, reverse alarm, portable charger, headlights, taillights, fiberglass cab, vinyl doors, side/rear view mirrors, hitch, and soft solid tires. Visit our website for additional images, videos, information and custom modifications at www.taylor-dunn.com.

VOLTAGE	36 volt	
SPEED	9 mph	14 km/h
RANGE	20 mi	32 km
LOAD CAPACITY	1400 lb	635 kg
TOW CAPACITY	8750 lb	3969 kg
TURNING RADIUS	70 in	178 cm

*** Based on Standard Configuration**

Actual towing capacity is dependent on application, vehicle configuration, ballast weight, and operating environment.

Note: Photos are shown with optional features.

FEATURES & BENEFITS:

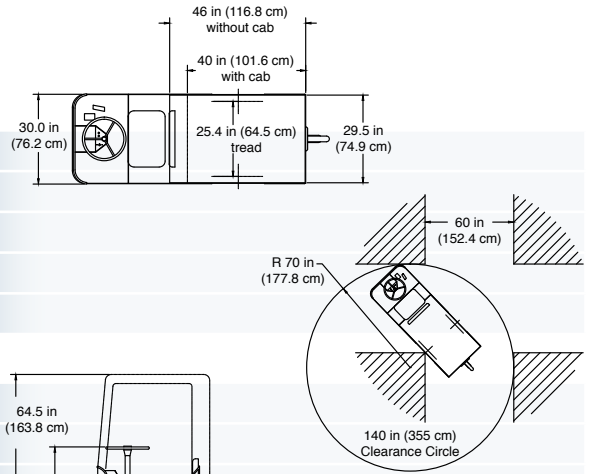
- Built-in fully automatic charger
- Easily clears narrow aisles and doorways
- Fully-welded all steel construction
- Adjustable seat
- 29.5 x 46 in deck (-cab)
- Customizable to fit your application



C-432

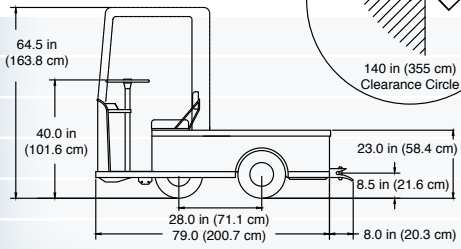
PERFORMANCE

LOAD CAPACITY	1400 lb	635 kg
TOW CAPACITY	8750 lb	3969 kg
DRAWBAR PULL	175 lb	780 kN
MAX SPEED (UNLOADED)	9 mph	14 km/h
TURNING RADIUS	70 in	178 cm



DIMENSIONS

OVERALL LENGTH	79 in	201 cm
OVERALL WIDTH	30 in	76 cm
OVERALL HEIGHT (- cab)	40 in	102 cm
OVERALL HEIGHT (+ cab)	64.5 in	164 cm
WHEEL BASE	28 in	71 cm
DECK SIZE (- cab) (W x L)	29.5 x 46 in	75 x 117 cm
DECK SIZE (+ cab) (W x L)	29.5 x 40 in	75 x 102 cm
DECK HEIGHT	23 in	58 cm



POWER SUPPLY / DRIVE TRAIN

MOTOR	6 hp, 4.5 kW, DC
SYSTEM VOLTAGE	36 Volt
DRIVE AXLE	Power Traction Automotive Differential
BATTERIES	210 Amp-hour Lead Acid, 6 Volt, 6 Each
CHARGER	Built-in Automatic, 1 kW, 36 Volt, 110 VAC with Interlock
CONTROLLER	400 Amp, 36 Volt, Solid State

CHASSIS

FRAME	Fully Welded, Unitized, 16 Gauge, Diamond Plate Steel Body
STEERING	Manual, Chain and Sprocket Reduction to Front Fork
SUSPENSION	Solid, Front and Rear
BRAKES	Mechanical Rear Drum Brakes, Hand-Operated Parking Brake
TIRES	4.80 x 8, Load Range B, Pneumatic

GENERAL

MAXIMUM OCCUPANCY	1	250 lb (113 kg)
UNIT WEIGHT	918 lb	416 kg
SEAT	Single, Adjustable, Black Vinyl, with Safety Seat Switch	
INSTRUMENTATION	Battery Status Indicator, Forward/Reverse Selector, Key Switch, Electric Horn	
CONFORMANCE	Type E OSHA 1910.178, ANSI B56.8 and B56.9	

OPTIONS

- HEADLIGHT/TAILLIGHT
- PORTABLE CHARGER
- REVERSE LIGHTS
- HOUR METER
- NON-MARKING TIRES
- WINDSHIELD WIPER
- REVERSE WARNING ALARM
- BEACON OR STROBE LIGHT
- FIBERGLASS CAB
- DIRECTIONAL SIGNALS
- STAKE SIDES
- DIAMOND PLATE DECK
- SOFT SOLID TIRES
- SIDE/REAR VIEW MIRRORS
- VINYL DOORS
- VARIOUS HITCHES
- CUSTOM PAINT COLOR
- GALVANIZING/UNDERCOATING

Specifications, standard equipment, accessories and modifications are subject to change without notice.