

Product catalogue



TILBOX

TOOLBOXES FOR TRUCKS & TRAILERS



TILBOX

TOOLBOXES FOR TRUCKS & TRAILERS

Our new product catalogue offers many products for a sustainable enhancement of your truck or trailer. Solutions for optimal usage of empty spaces bundled in one catalogue. On the following pages you will find creative innovations in addition to practical solutions and functional accessories.

Our toolboxes meet the highest requirements in terms of safety, design and functionality. Our strength lies in customization and we are the ideal partner to translate wishes into designs.

Please feel free to contact our (Sales) team.

Team Tilbox

+31 (0)40 – 206 86 88

sales@tilbox.com





Toolboxes
4 - 9



Brackets
10 - 11



Spare wheel storage
12



Axle storage
12



Pallet truck storage
13



Aluminium storage box
14 - 16



Fenders
17



Battery storage
18 -19



Cargo net storage
19



Outrigger pads
20 - 21



Plastic storage
22 - 25



Custom products
26 - 27



More information?
Take a look at our website?

Nothing in this publication may be reproduced and/or made public by means of printing, photocopying, electronically or in any way, without our written permission.

Subject to changes/deviations and printing errors in prices, texts and images. All prices do not include VAT and shipping costs. If products are sold out despite our careful planning, we ask for your understanding.



The Europe Model, a great finish for your truck or trailer

The toolboxes from the Europe serie are ideal for storing tools, straps and other materials. They are available from stock, have a plate thickness of 1.5mm and you can recognize them by the oblique settings on the front or lid.

The 205, 207 and 208 boxes come standard with assembled steel cables, but are prepared for gas springs, chains and gas dampers. As an option, these can be mounted at an additional cost.



RVS TILBOX T-Drop lock

Aeration in the back wall to reduce condensation



Stainless steel hinges



Up to a width of 800 mm, the boxes come with 1 lock, wider boxes are supplied with 2 locks



The models 205, 207 and 208 come with steel cable lanyards



Weather resistant rubber seals



The internal dimensions for the models 202,205,207 and 208 can be calculated by deducting the following:
Width: Loss of 75 mm
Height: Loss of 75 mm
Depth: Loss of 35 mm



Stainless steel Toolbox - Matt finish

205 - Europe Model



Item	Width	Height	Depth	Weight
	<i>External</i>	<i>External</i>	<i>External</i>	
205.050.035.040	500	350	400	12
205.050.040.040	500	400	400	12
205.050.050.055	500	500	550	19
205.060.030.060	600	300	600	17
205.060.035.060	600	350	600	18
205.060.040.040	600	400	400	16
205.060.040.045	600	400	450	16
205.060.050.055	600	500	550	24
205.060.050.060	600	500	600	24
205.060.060.060	600	600	600	25
205.070.050.050	700	500	500	25
205.070.050.055	700	500	550	25
205.080.040.040	800	400	400	19
205.080.050.050	800	500	500	25
205.080.050.055	800	500	550	25
205.080.060.060	800	600	600	27
205.100.040.040	1000	400	400	23
205.100.050.050	1000	500	500	31
205.100.050.055	1000	500	550	32
205.100.060.060	1000	600	600	34
205.120.040.040	1200	400	400	35
205.120.050.050	1200	500	500	37
205.120.050.055	1200	500	550	37
205.120.060.060	1200	600	600	38
205.125.050.055	1250	500	550	38
205.150.050.055	1500	500	550	45
205.150.060.060	1500	600	600	47



See page 4 for internal dimensions



Gas springs



Chains



Gas dampers



Stainless steel Toolbox - Matt body and polished lid 207 - Europe model



Item	Width	Height	Depth	Weight
	External	External	External	
207.050.035.040	500	350	400	12
207.050.050.050	500	500	500	18
207.050.060.060	500	600	600	20
207.060.040.050	600	400	500	17
207.060.060.060	600	600	600	19
207.070.050.050	700	500	500	25
207.080.050.050	800	500	500	25
207.080.060.060	800	600	600	27
207.100.040.040	1000	400	400	23
207.100.050.050	1000	500	500	31
207.100.060.060	1000	600	600	34
207.120.050.050	1200	500	500	37
207.120.060.060	1200	600	600	38
207.145.050.050	1450	500	500	43
207.145.060.060	1450	600	600	47



See page 4 for internal dimensions



Stainless steel Toolbox - Polished finish 208 - Europe model



Item	Width	Height	Depth	Weight
	External	External	External	
208.050.035.040	500	350	400	12
208.050.050.050	500	500	500	18
208.050.060.060	500	600	600	20
208.060.040.050	600	400	500	17
208.060.060.060	600	600	600	19
208.070.050.050	700	500	500	25
208.080.050.050	800	500	500	25
208.080.060.060	800	600	600	27
208.100.040.040	1000	400	400	23
208.100.050.050	1000	500	500	31
208.100.060.060	1000	600	600	34
208.120.050.050	1200	500	500	37
208.120.060.060	1200	600	600	38
208.145.050.050	1450	500	500	43
208.145.060.060	1450	600	600	47



See page 4 for internal dimensions



Steel Toolbox 202 - Europe Model

The boxes from the 202 series are made of galvanized steel and powder coated in black, RAL 9005. They come prepared for steel cables, gas springs, chains or gas dampers, which we can assemble for you at an additional cost.



Item	Width	Height	Depth	Weight
	<i>External</i>	<i>External</i>	<i>External</i>	
202.050.035.040	500	350	400	12
202.050.050.055	500	500	550	19
202.060.030.060	600	300	600	22
202.060.035.060	600	350	600	23,5
202.060.040.045	600	400	450	16
202.060.050.060	600	500	600	24
202.070.050.050	700	500	500	21,7
202.070.050.055	700	500	550	25
202.080.040.040	800	400	400	19
202.080.050.050	800	500	500	25
202.100.040.040	1000	400	400	23
202.100.050.050	1000	500	500	31
202.100.050.055	1000	500	550	32
202.125.050.055	1250	500	550	38
202.150.050.055	1500	500	550	45



See page 4 for internal dimensions



Gas springs



Chains



Gas dampers



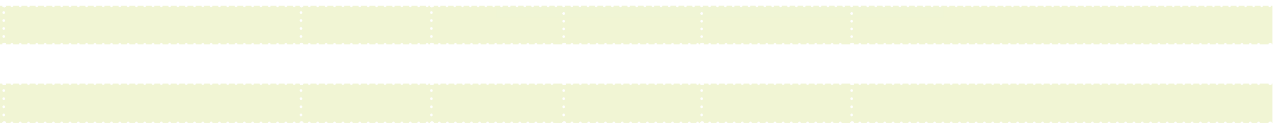
Stainless steel Toolbox with lift-up door Group 214.003 - Europe model



This Europe model with parallel lift-up door has been developed for situations where there is little space around the vehicle. The door of this stainless steel toolbox opens upwards in a smooth motion, to keep the length that is sticking out at a minimal.

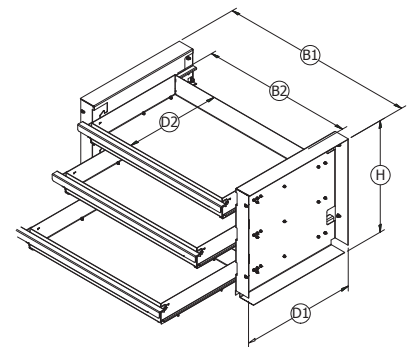
The boxes from this series are available in different sizes, various finishes and also available in both Tilbox model and in Europe model.

Please contact us, that we can make the best solution for your application!



Stainless steel Drawer module Group 204

Our stainless steel drawer modules are suitable for boxes of 800x500x500 and 1000x500x500. They are available with 1, 2 or 3 drawers and easy to attach with the included mounting brackets. The drawers can be loaded with a maximum of 200kg each.



Item	Width		Height	Dra- wer	Depth		Ge- wicht
	B1	B2	H		D1	D2	
204.080.050.050.1	797	617	455	80	469	394.5	14
204.080.050.050.2	797	617	455	80	469	394.5	20
204.080.050.050.3	797	617	455	80	469	394.5	26
204.100.050.050.1	997	817	455	80	469	394.5	16
204.100.050.050.2	997	817	455	80	469	394.5	23
204.100.050.050.3	997	817	455	80	469	394.5	31



Stainless steel Toolbox with roller door

Group 214.001



Special design with 20 mm gutter

Weather resistant with rubber seal on the inside

Aluminium roller shutter with internal security pin

Two handles with highly secure lock

1.5 mm stainless steel body

Item	Width	Height	Depth	Weight
	External	External	External	
214.001.050.050.050	500	500	500	22.7
214.001.060.050.050	600	500	500	25
214.001.080.050.050	800	500	500	29.7
214.001.100.050.050	1000	500	500	34.4
214.001.100.060.060	1000	600	600	42.5
214.001.120.060.060	1200	600	600	48
214.001.140.050.050	1400	500	500	43.8
214.001.140.060.060	1400	600	600	53.6



The internal dimensions can be calculated by deducting the following
 Width: Loss of 147 mm
 Height: Loss of 210 mm
 Depth: Loss of 35 mm without lock, 64.5 mm with lock




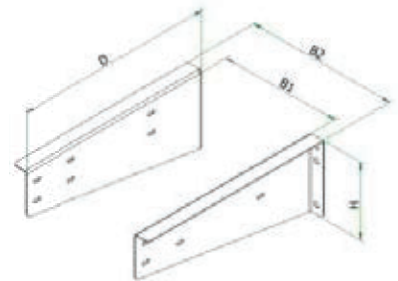
Mounting brackets - Stainless steel

Group 280.001

We offer a wide selection of adjustable mounting brackets and our stainless steel items come in three different dimensions.

Mounting bracket 1: 280.001.001
 For the smaller boxes:
 300 – 600 mm (280.001.001)

- Weight: 7 kg per set
- Number of brackets needed per toolbox: 2
- Maximum supported weight per 2 brackets is 50 kg

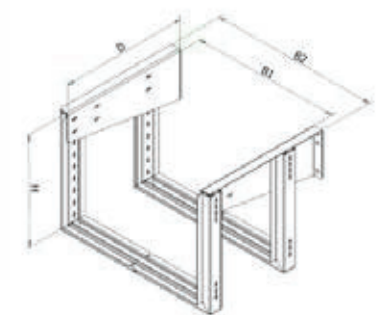
*Smaller mounting brackets
 Supports the toolbox all around*



*Only suitable for small toolboxes
 Maximum support weight is only 50 kg,
 which is including the weight of the
 toolbox*

Mounting bracket 2: 280.001.002
 600 – 900 mm (280.001.002)

- Weight: 15 kg per set
- Complete set needed per toolbox
- Maximum supported weight per set is 148 kg at 600 mm en 90 kg at 900 mm

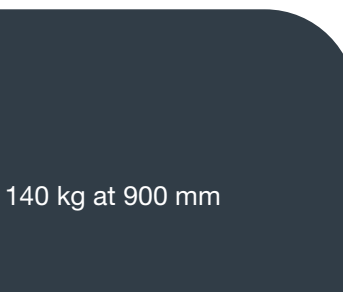
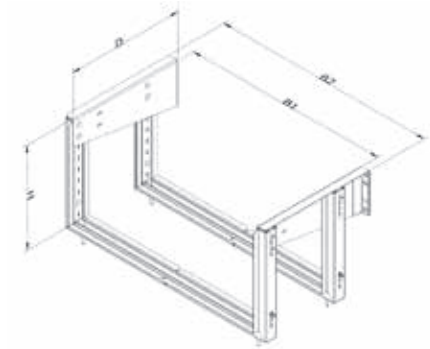
*Easy DIY mounting
 For toolboxes with a width between 600 and 900 mm*



*Supports the toolbox all around
 Not suitable for toolboxes wider than 900 mm*

Mounting bracket 3: 280.001.003
 900 – 1500 mm (280.001.003)

- Weight: 17 kg
- Complete set needed per toolbox
- Maximum supported weight per set is 140 kg at 900 mm and 84 kg at 1500 mm

*Easy DIY mounting
 Suitable for toolboxes with a width between 900 and
 1500 mm*



*Supports the toolbox all around
 Not suitable for toolboxes wider than 1500*

Item	Width			Height		Depth		Weight
	B1 min	B1 max	B2	H min	H max	D min	D max	
280.001.001	300	600	B1+80	300	500	300	600	7
280.001.002	600	900	B1+80	300	700	300	600	15
280.001.003	900	1500	B1+80	300	700	300	600	17



Mounting brackets - Steel

Group 280

Set of 2 steel mounting brackets designed to mount our aluminium or stainless steel toolboxes. The supports are available in UNP80 en UNP100, uncoated or with a black, RAL 9011, powder-coated finish. Conveniently sold in pairs.

UNP80

- Number of brackets needed per toolbox: 2 or 3
- 80mm wide
- Maximum supported weight per bracket is 105 kg

UNP100

- Number of brackets needed per toolbox: 2 or 3
- 100mm wide
- Maximum supported weight per bracket is 136 kg



Item	Details	UNP	Height	Depth	Weight
280.080.075.075.0	UNP untreated	80	750	750	30/set
280.100.075.075.0	UNP untreated	100	750	750	35/set
280.080.075.075	UNP powder-coated finish RAL 9011	80	750	750	30/set
280.100.075.075	UNP powder-coated finish RAL 9011	100	750	750	35/set



Adjustable Mounting brackets - Galvanized steel

Group 280.120

A set of lighter, galvanized, adjustable mounting brackets for an easy DIY mounting of the toolboxes onto your truck or trailer.

- Weight: 17 kg per set
- Number of brackets per toolbox: 2 or 3
- Maximum supported weight per bracket is 88 kg



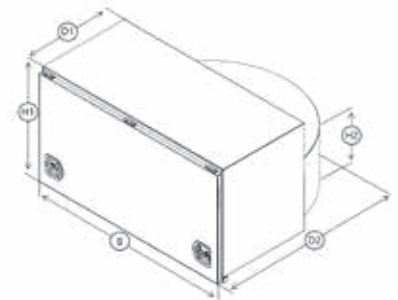
Item	Width	Height	Depth	Weight
280.120.070.060.V	120	700	600	17/set



Spare wheel storage (RWK) Group 230

A waterproof storage solution for your spare wheel with 2 T-drop locks for safety. This truck box comes standard in 2mm steel with a black powder-coated finish all around but a brushed stainless steel front. Also available in uncoated stainless steel.

As an option, you can choose for a plywood shelf above the wheel to create extra storage space.



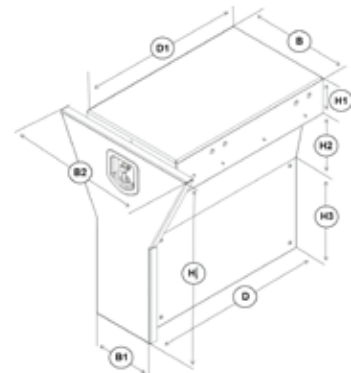
Item	Width		Height		Depth		Wheel size	Weight
	<i>Uitw. B</i>	<i>Uitw. H1/H2</i>	<i>Uitw. D1/D2</i>					
230.125.068.110	1250	680/350	600/1100	1090	105			
230.125.068.110 RVS	1250	680/350	600/1100	1090	105			



Axle storage Group 241

NEW!

To make the most of the space in and around the truck, you can go for storage in between the axles. Perfect place to store chains, for example. We have developed this box at different points. For example, the box has 10% less weight than the axle box before. Due to the rails on the top, less dirt will get stuck in it. In addition, the box is produced with a standard grid pattern for anti-spray mats and the demountable strip makes chain hooks easy to install.



Item	Width			Height				Depth		Weight
	<i>B</i>	<i>B1</i>	<i>B2</i>	<i>H1</i>	<i>H2</i>	<i>H3</i>	<i>H_{total}</i>	<i>D</i>	<i>D1</i>	
241.049.062.060	351	210	491	54,1	207,1	304,8	636	603	573	36,3
241.054.062.060	401	260	541	54,1	207,1	304,8	636	603	573	39,5



Pallet truck storage (PWK)

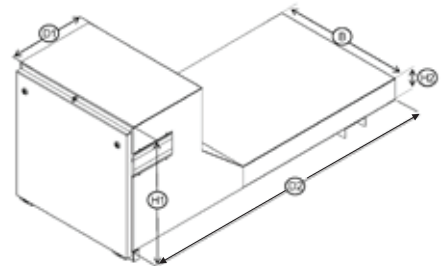
Group 210

Storage made of 2 mm black powder-coated steel, suitable for storing almost any type of pallet truck. The box can be mounted on both sides and has a reinforced floor, brushed stainless steel lid with ramp and is equipped with two standard locks.

In both sides of the box there are slots for the shaft of the pallet truck. The slot to be used is finished with brushes, the other side can be sealed with the supplied steel plate.

Do you prefer uncoated stainless steel? Not a problem!

FULL BLACK
COATED IS
ALSO
POSSIBLE!



Item	Width <i>B</i>	Height <i>H1/H2</i>	Depth <i>D1/D2</i>	Weight
210.067.068.158	670	680/110	440/1580	76
210.067.068.158.RVS	670	680/110	440/1580	80
210.080.068.158	800	680/110	440/1580	80
210.080.068.158.RVS	800	680/110	440/1580	80

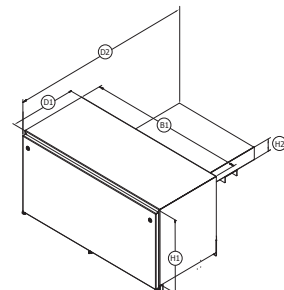


Pallet truck storage (PWK) - Combination box

Group 211

Need extra storage space? Go for the pallet truck combination box.

This box comes with extra storage on the left or right side to store tools or batteries.



Item	Width <i>B</i>	Height <i>H1/H2</i>	Depth <i>D1/D2</i>	Weight
211.135.070.158	1350	700/110	600/1580	92
211.135.070.158.RVS	1350	700/110	600/1580	109

Aluminium Toolboxes

The Basic en Basic+ toolboxes are made of 5-bar chequered plate with a thickness varying between 1,5 - 2,5 mm and 2,5 - 4 mm.

The Basic+ series is characterized by a more luxurious look with T-drop locks.

LIGHT
&
STURDY!



Aluminium Toolbox - Chequered plate Group 213.004 - BASIC

A toolbox made out of 1,5 - 2,5 mm thick 5-bar chequered plate. The lid is equipped with a continuous hinge and an aluminium lock.



Item	Width	Height	Depth	Weight
	<i>External</i>	<i>External</i>	<i>External</i>	
213.004.049.020.014	490	200	140	2
213.004.058.023.019	580	230	190	2.8
213.004.059.030.024	590	300	240	3.7
213.004.069.025.029	690	250	290	3.7
213.004.075.025.032	750	250	320	4
213.004.078.030.034	780	300	340	4.7
213.004.079.022.021	790	220	210	5.5



Aluminium Toolbox - Chequered plate Group 213.001 - BASIC+

Just like the toolbox above, this one is also made of 1.5-2.5 mm thick 5-bar chequered plate.

The lid with gas spring has an opening angle of 65 degrees and opens upwards using a continuous hinge.



Item	Width	Height	Depth	Weight
	<i>External</i>	<i>External</i>	<i>External</i>	
213.001.087-040.046.049	865/395	460	485	9
213.001.090-060.035.030	900/660	350	300	8



Aluminium Toolbox - Chequered plate

Groep 213.002 - BASIC+

A plate thickness of 2,5 - 4 mm, a lid with stainless steel continuous hinge and a opening angle of 90 degrees.

The toolboxes wider than 800 mm come with 2 locks. Boxes under 800 mm width are equipped with 1 gas spring and 1 lock.



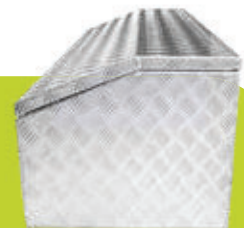
Item	Width	Height	Depth	Weight
	<i>External</i>	<i>External</i>	<i>External</i>	
213.002.060.030.030	600	300	300	6
213.002.100.060.060	1000	600	600	20
213.002.120.060.060	1200	600	600	30
213.002.150.060.060	1500	600	600	31
213.002.190.060.060	1900	600	600	45



Aluminium Toolboxes - Chequered plate

Group 213.003 - BASIC+

A plate thickness of 2,5 - 4 mm, a lid with stainless steel continuous hinge and a opening angle of 90 degrees.



Item	Width	Height	Depth	Weight
	<i>External</i>	<i>External</i>	<i>External</i>	
213.003.180.050.060	1800	500 (H1) 390 (H2)	600	40



Aluminium Toolbox - Chequered plate Group 213.005 - E-line

The E-line series is made out of 5-bar aluminium chequered plate with a 2,5 - 4 mm thickness.



Boxes wider than 800 mm come with 2 stainless steel T-drop locks, narrower boxes only have 1 lock.

Attached to the lid are 2 steel cable lanyards which make sure the box has a 100 degree opening angle.



Weather resistant rubber seals



Stainless steel hinges

Item	Width	Height	Depth	Weight
	External	External	External	

213.005.042.026.030	414	257	300	3.8
213.005.072.026.030	714	257	300	7.3
213.005.077.027.025	764	267	250	7.4
213.005.092.027.025	914	267	250	8.7
213.005.127.027.025	1264	267	250	11.6



Fenders Group 290

Aluminium 5-bar chequered plate fenders; a nice neat finish of your truck! Is your desired size not in the list below? Please feel free to contact us!



Item	Length	Width	Weight
290.000.125.065	1250	650	12
290.000.140.065	1400	650	13
290.000.270.065	2700	650	15
290.000.335.065	3350	650	24
290.000.400.065	4000	650	28
290.000.420.065	4200	650	29
290.000.470.065	4700	650	32
290.000.520.065	5200	650	35



Carefree on the road with a battery box

You don't have to worry about a empty battery when you are on the road with a battery box of Tilbox. With these stored batteries, you can also run all your equipment in the truck without the engine actually running.

To extend the life of your batteries, you can use a battery box or battery tray. They keep the battery in place and protect it from damage.

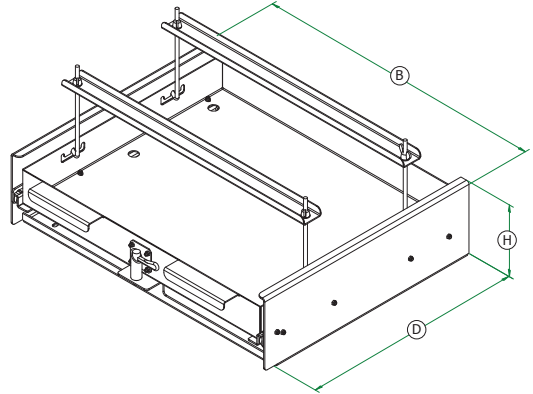
Lid is sold separately.



Battery drawer - Stainless steel
Group 250

Our stainless steel battery drawer is easy to mount in all our standard toolboxes with a maximum depth of 550 mm and is secured by a spring bolt lock.

The drawers are suitable for 2 batteries up until 230Ah and come with mounting kit.



Item	Width <i>External</i>	Height <i>External</i>	Depth <i>External</i>	Weight
250.063.012.055	638	162	515	11



A Battery tray - Stainless steel Group 250

The battery trays have a lockable plastic lid and come standard with two stainless steel profiles to attach the battery. They are easy to mount without supports, directly against the chassis.

Suitable for 1 battery of 85Ah / 180Ah / 230Ah



Item	Width	Height	Depth	Weight
	<i>Uitw. B</i>	<i>Uitw. H1/H2</i>	<i>Uitw. D/D2</i>	
250.045.029.024	450	290	240	9
250.061.029.029	610	290	290	11
250.061.029.033	610	290	330	12



Battery tray - Galvanized Group 250

Suitable for 2 batteries up until 230Ah.

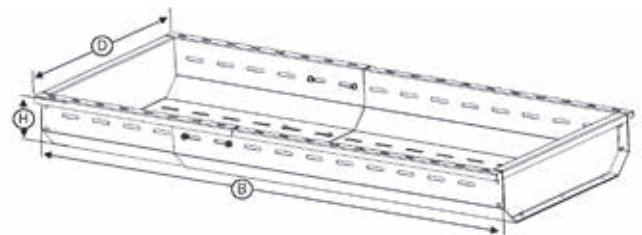


Item	Width	Height	Depth	Weight
	<i>External</i>	<i>External</i>	<i>External</i>	
250.065.031.061.V	650	330	620	35



Cargo net storage Group 245

Cargo nets, sails and other equipment can be stored safely with this adjustable stainless steel rack. Simple DIY mounting to utilize all the available space to the max!



Item	Width	Height	Depth	Weight
	<i>External</i>	<i>External</i>	<i>External</i>	
245.100.015.060	630-1000	150	600	16
245.140.015.060	1000-1400	150	600	20



Outrigger pads Group 281

Whether you work with mobile cranes, aerial lifts or concrete pumpers, outrigger pads will make your work safer and easier.

Designed to safely and effectively distribute the heaviest of loads, to withstand intense vertical pressure. Our pads combine strength and durability, whilst being lightweight and easy-to-handle. Depending on the size, they come with 1 or 2 rope handles.

Made from HMPE 500 regenerate, a strong, high quality plastic that doesn't absorb moisture and won't break. It is waterproof, UV, hydraulic fluids and road chemical resistant.



Item	WxLxH (mm)	Weight per pad (kg)	Vertical jack capacity	Crane capacity	Matching holder
281.001.030.030.003	300 x 300 x 30mm	2.6	3 tonne	2 tm	281.E-300
281.001.030.030.004	300 x 300 x 40mm	3.4	7 tonne	5 tm	or 281.D-300
281.001.040.040.003	400 x 400 x 30mm	4.7	5 tonne	3 tm	281.E-400
281.001.040.040.004	400 x 400 x 40mm	6.1	10 tonne	10 tm	or
281.001.040.040.005	400 x 400 x 50mm	7.6	12 tonne	12 tm	281.D-400
281.001.040.040.006	400 x 400 x 60mm	9.1	15 tonne	15 tm	281.D-400
281.001.050.050.004	500 x 500 x 40mm	9.4	15 tonne	15 tm	281.E-500
281.001.050.050.005	500 x 500 x 50mm	11.9	15 tonne	20 tm	or
281.001.050.050.006	500 x 500 x 60mm	14.1	20 tonne	25 tm	281.D-500
281.001.060.060.004	600 x 600 x 40mm	13.5	20 tonne	20 tm	
281.001.060.060.005	600 x 600 x 50mm	17.1	20 tonne	30 tm	281.E-600 or 281.D-600
281.001.060.060.006	600 x 600 x 60mm	20.3	25 tonne	45 tm	
281.001.080.080.004	800 x 800 x 40mm	24.3	25 tonne	mobile cranes	
281.001.080.080.005	800 x 800 x 50mm	30.4	25 tonne	mobile cranes	281.D-800
281.001.080.080.006	800 x 800 x 60mm	36.5	30 tonne	mobile cranes	

*E – Single pad holder

*D – Double pad holder



Outrigger pad holders Group 281

Store your outrigger pads in our matching holders. Made of 2 mm thick stainless steel, the holders are a perfect solution to stow away pads up to 600 mm wide.



Single holder



Double holder

Item	Pads	Weight
281.E-300	1	4
281.D-300	2	6
281.E-400	1	7
281.D-400	2	8.6
281.E-500	1	11.5
281.D-500	2	2.6
281.E-600	1	3.6
281.D-600	2	4.7
281.D-800	2	5.5



Plastic boxes

- UV-stabilized polyethylene
- Form and function – Impact and shock resistance without compromise
- Water and dust resistant gasket seal
- Heavy duty polypropylene multi-wall base panel
- Conventional opening with 2 handles – Keys, spare keys and keyhole caps included



Black Dog Group 273



Item	Locks	Width	Height	Depth	Weight
273.040.035.040	1	400	350	400	4
273.050.035.040	1	500	350	400	6
273.060.045.047	2	600	450	470	8
273.060.045.065	2	600	450	650	8
273.060.055.065	2	600	550	650	10
273.070.045.047	2	700	450	470	9
273.070.045.065	2	700	450	650	11
273.075.036.035	2	750	360	350	8
273.080.045.047	2	800	450	470	11
273.100.050.047	2	1000	500	470	14
273.100.050.065	2	1000	500	650	16



Vertigo Group 275



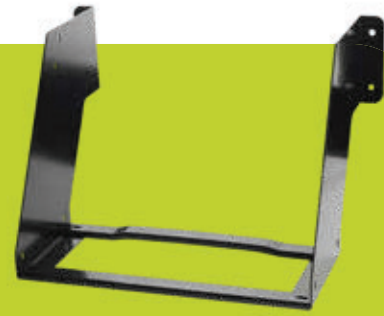
Item	Locks	Width	Height	Depth	Weight
275.040.035.040	1	400	350	400	4
275.050.035.040	1	500	350	400	6
275.060.045.047	2	600	450	470	8
275.060.045.065	2	600	450	650	10
275.060.055.065	2	600	550	650	12
275.070.045.047	2	700	450	470	9
275.070.045.065	2	700	450	650	11
275.075.036.035	2	750	360	350	8
275.080.045.047	2	800	450	470	11
275.100.050.047	2	1000	500	470	14
275.100.050.065	2	1000	500	650	16



Mounting kits

Group 280.273 - 280.275

The use of dedicated mounting system is recommended to ensure optimum product performance. Mounting kit contains all necessary hardware for tool box to bracket fastening.



Item	Chassis support bracket kits	Weight
280.275.040.035.001	Box 400/500 mm	5
280.275.060.045.001	Box 600 x 470 mm	6
280.275.060.065.001	Box 600 x 650 mm	9
280.275.070.045.001	Box 700 mm	9
280.275.070.065.001	Box 700 x 650 mm	9
280.275.075.035.001	Box 750 mm	9
280.275.080.045.001	Box 800 mm	9
280.275.100.050.001	Box 1000 mm	11
280.275.100.065.001	Box 1000 x 650 mm	15



ADJUSTABLE
IN HEIGHT



Item	Platform support bracket kits	Weight
280.275.040.035	Box 400/500 mm	5
280.275.060.045	Box 600 x 470 mm	6
280.275.070.045	Box 700 mm	9
280.275.075.035	Box 750 mm	9
280.275.080.045	Box 800 mm	9
280.275.100.050	Box 1000 mm	11



Fire Extinguisher Cabinet Group 270

Extend the life of your fire extinguisher!

Our range of fire extinguisher cabinets provide protection from weather and harsh environments, as well as from accidental damage and tampering. They are suitable for both horizontally and vertically mounting.

The boxes can be mounted both horizontally and vertically.

The fire extinguisher cabinet is made of high-quality and impact-resistant plastic and is available for 6, 9 and 12 kg extinguishers.



Art. nr.	Capacity	Colour	Width	Height	Depth	Weight
270.025.060.030.R	6 kg	Red	250	600	300	4
270.030.075.035.R	9/12 kg	Red	300	750	350	5
270.031.062.026.F	6 kg	Red	310	620	260	4
270.031.077.026.F	9/12 kg	Red	310	770	260	5
270.317.305.705.HOE	6/9 kg	Red	317	305	705	5
270.317.305.705.HOR	6/9 kg	Red	317	305	705	5



Miscellaneous Group 276

Soap dispenser



Mounting bracket
30 litre
blackwatertank

Tap



Document
holder

Item	Description	Width	Height	Depth	Weight
276.035.036.043.Z	Watertank black	350	360	430	3
276.035.036.043.KRAAN	Tap				
276.035.036.043.ZEEP	Soap dispenser				
276.012.014.034	Document holder grey	120	140	340	1
280.276.035.036.043	Platform mounting kit - watertank		Platform		2
280.276.035.036.043.001	Chassis mounting kit - watertank		Chassis		2



Plastic Insert Boxes

Group 271

We provide this stackable and sustainable insert boxes to storage little products. They are made of recycled plastic and fit perfect in our boxes, drawer modules or on deckings. Cleaning up your stuff wasn't that easy before!

The insert boxes are available in two variants:

- Straight sides, suitable for using in drawer modules
- Grab openings in the front, excellent for the bottom of the box.

Sturdy, extremely stable and suitable for heavy loads!



Item	Colour	Length	Width	Height	Weight	Capacity
271.001.040.030.012	Light grey	400	300	120	0,84 kg	10 liter
271.001.060.040.022	Light grey	600	400	220	2,27 kg	40 liter
271.001.060.040.033	Light grey	600	400	325	2,87 kg	60 liter



Item	Colour	Length	Width	Height	Weight	Capacity
271.002.040.030.021	Grey	400	300	210	1,4 kg	20 liter
271.002.040.030.027	Grey	400	300	270	1,4 kg	25 liter
271.002.060.040.027	Grey	600	400	270	2,3 kg	50 liter



CUSTOMIZED

The customer always comes first at Tilbox. Our team of professionals within the company thinks in terms of solutions instead of limitations. Whether you're looking for large order numbers, specific custom-made boxes or a special (pre-)finishing for your truck box: everything is possible.

Customization for every request in the transport sector

Actually, it is not possible to capture all our customization in a brochure. Tilbox produces countless solutions for toolboxes, from stainless steel to aluminium, and from completely matt boxes to boxes with a matt body and a polished lid. By means of a good choice of materials and surface treatment, the custom boxes are suitable for any type of work traffic.

In short, the possibilities are endless and by combining the standard options with custom solutions, Tilbox is the best partner on the road offering durable storage solutions for trucks.





What you can expect from us:



Over 25 years of experience



Technical advice



Quality guaranteed



Sparring partner for the best solutions



Specialist in customization

Reliable and innovative solutions

Through our years of experience, our strength lies in customization and we are the ideal sparring partner to translate wishes into designs together. The result is a customized product for your specific application.

Tilbox is continuously working on the development of existing and/or new products. This is done on the basis of the wishes from our market. Customer demand ultimately determines the assortment. This is how Tilbox became big: from passion for their customers.

Need to spar or you want us to thinking along with you? Let us know and find out how we can strengthen each other. We are curious about your unique customization needs!



Go to tilbox.com/lookbook and get inspired or request a quote by mail: info@tilbox.com!



TILBOX

TOOLBOXES FOR TRUCKS & TRAILERS

TILBOX

John F. Kennedylaan 5
5555 XC Valkenswaard
Nederland

+31 (0)40 - 206 86 88
info@tilbox.com
www.tilbox.com

