



Attributes

Product Code
 Net weight
 Max. weight load
 Dimensions (w x l x h)
 Color options

2-1-049
 293 kg
 350 kg
 2662x440x1610 mm



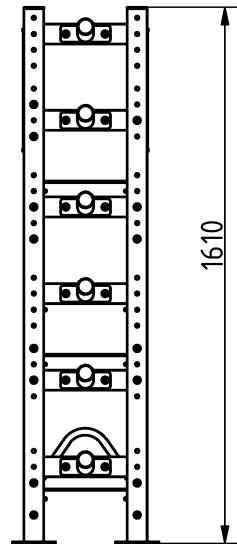
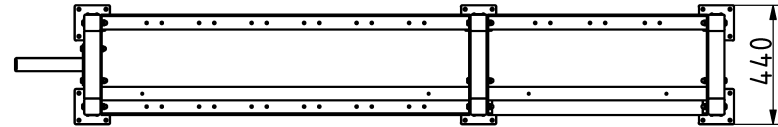
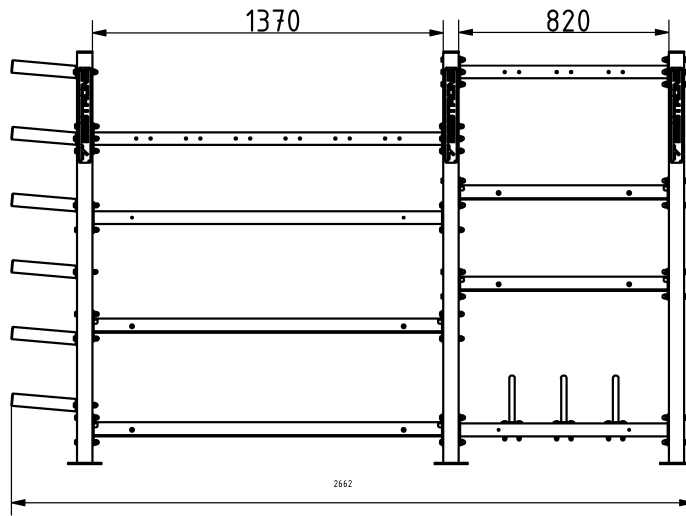
For more color options, discuss with your sales representative.

Warranty

Structure
 Steel
 Paint
 Plastic
 Rubber
 Moving parts

25-15 years
 5-10 years
 2 years
 5-10 years
 1-3 years
 2 years

Detailed information in the warranty document



BESTRONG

[f bestrongworld](#)
[bestrongworld](#)
[global.bestrong.com](https://www.global.bestrong.com)
info@bestrong.com

