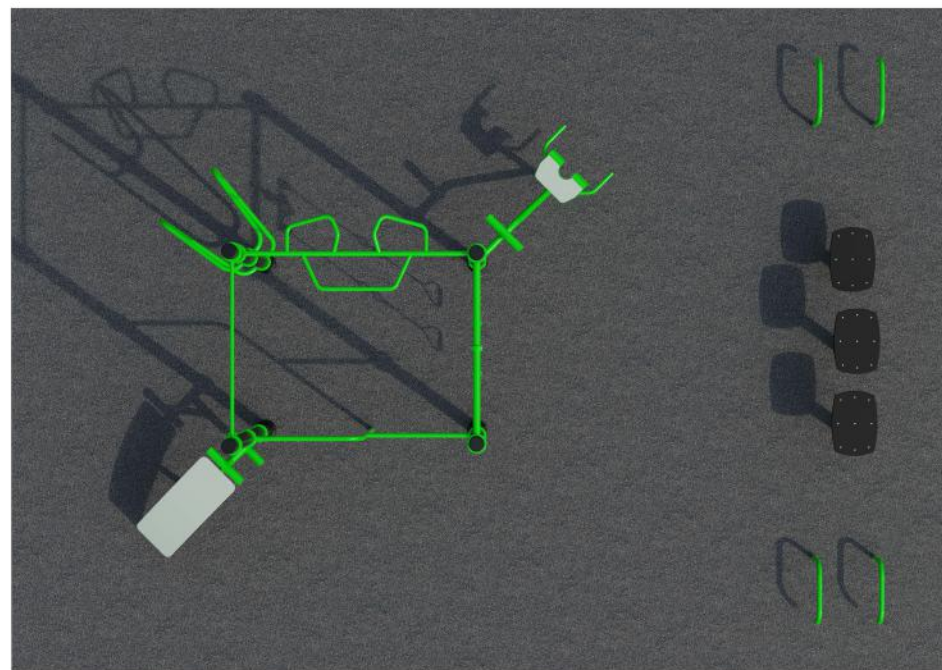
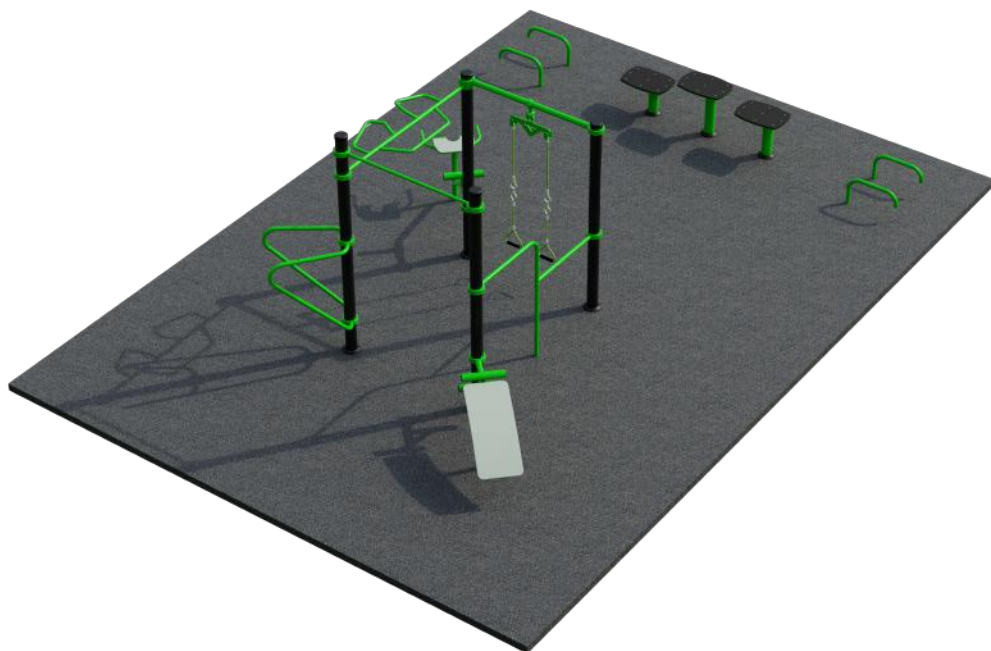


BESTRONG

 [bestrongworld](#)  [bestrongworld](#)  [usa.bestrong.com](#)  usa@bestrong.com

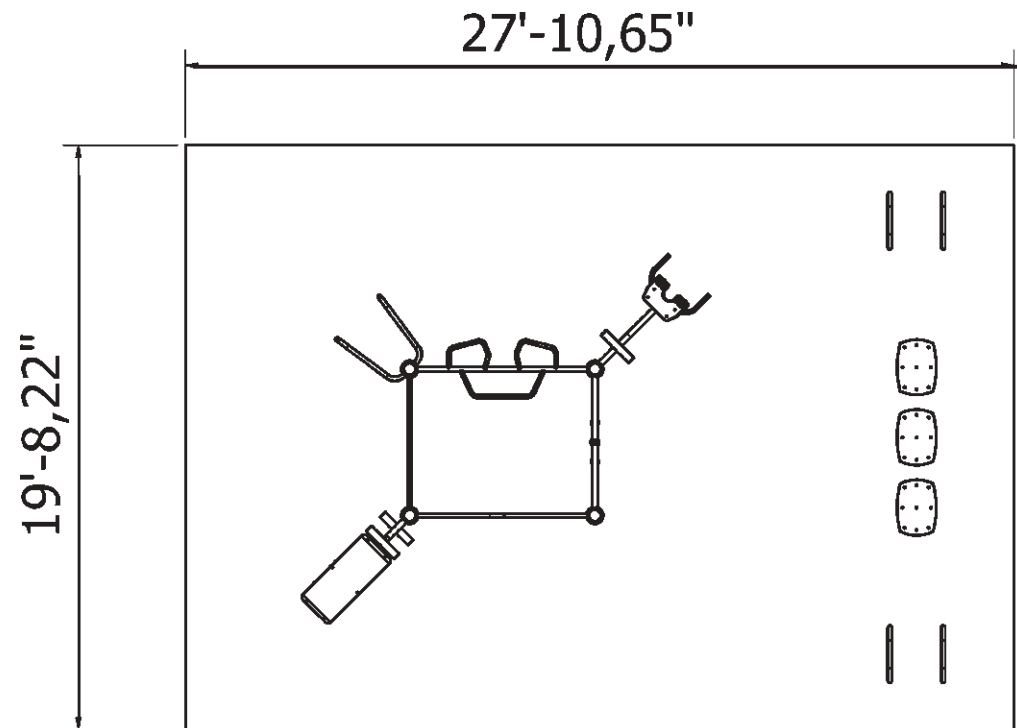


FitSociety 1

Introducing FitSociety 1, the epitome of fitness excellence designed exclusively for public parks and municipalities. This outdoor fitness park is a true game-changer, offering an exceptional fitness experience for all community members. Featuring a comprehensive range of state-of-the-art equipment, FitSociety 1 invites individuals of all fitness levels to embrace a healthier lifestyle while enjoying the beauty of their local park.

Attributes

Product code	1-3-231
Certificate	EN 16630, ASTM F3101
Age group	14 + years
Designed for	Communities
Capacity	26 people
Fall height	4.92 ft



Technical specification

Anchoring option
 Net weight
 Material
 Anti-corrosion possibility
 Total Area
 Color options

For more color options, discuss with your sales representative.

In-ground or surface
 1023.5 lbs
 S235
 Galvanized or EPD
 548.96 ft²



Warranty

Structure
 Steel
 Paint
 Plastic
 Rubber
 Moving parts

Detailed information in the warranty document

25 years
 15 years
 2 years
 5-10 years
 1-3 years
 2 years