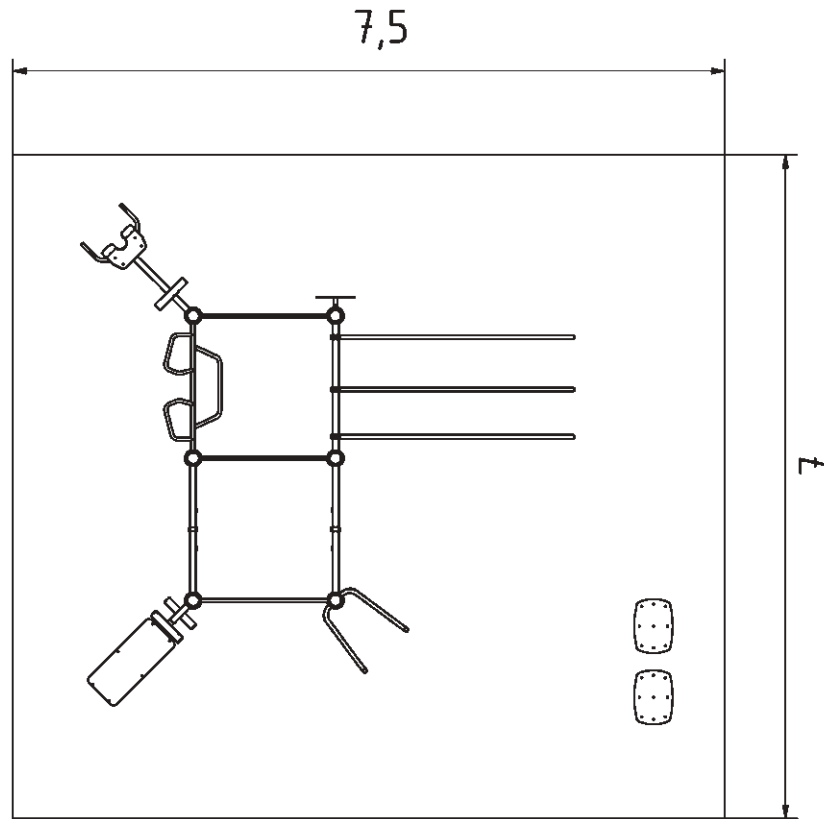


FitCampus 1

Introducing FitCampus 1, the ultimate fitness destination exclusively designed for schools. This outdoor fitness park is specifically crafted to promote physical activity and well-being among students. With a variety of age-appropriate exercise equipment, FitCampus 1 provides a dynamic and engaging space where students can embrace an active lifestyle and foster a lifelong commitment to fitness.

Attributes

Product code	1-3-233
Certificate	EN 16630
Age group	14 + years
Designed for	Schools
Capacity	24 people
Fall height	1.5 m



Technical specification

Anchoring option

Net weight

Material

Anti-corrosion possibility

Total Area

Color options

For more color options, discuss with your sales representative.

In-ground or surface

475 kg

S235

Galvanized or EPD

52.5 m²



Warranty

Structure

Steel

Paint

Plastic

Rubber

Moving parts

Detailed information in the warranty document

25-15 years

5-10 years

2 years

5-10 years

1-3 years

2 years