



TGT[®]
glasshardware.com

vol.
12

A modern interior space featuring a large, vertical wood-grain panel on a white wall. To the left, a glass door with a gold-colored frame and handle is visible. To the right, a glass railing with a metal handrail and a modern light fixture is shown. The floor is light-colored tile.

About us

At IGT, we bring a fresh perspective to the glass hardware industry, inspired by a rich legacy of decades of expertise and driven by a passion for innovation. Our story begins with Founder Gustavo Henao, whose roots trace back to a family business with over 65 years of expertise in the glass and glazing industry. While admiring the beauty of the industry, Gustavo also recognized the industry's challenges—very high-priced products, inconsistent quality, and outdated processes.

Determined to simplify and modernize the glass hardware sector, he embarked on a mission to reimagine how solutions are delivered. From humble beginnings in Miami, IGT has grown into a trusted partner for exceptional glass hardware solutions. Our guiding principle, "Let's make it simple," reflects our unwavering focus on simplicity, innovation, and efficiency.

We take pride in solving problems, anticipating customer needs, and delivering solutions that enhance any small or big project. Every product we create is designed to inspire—offering sleek, easy-to-install solutions that save time without compromising quality. At IGT, we're more than a supplier; we're a partner dedicated to your success. Whether you need cutting-edge designs, reliable quality, or superior service, we are here to help you achieve your goals.

By combining performance, affordability, and functionality, we deliver value that sets a new standard for the industry. As the aspiring "go-to brand in the glass and glazing industry," our mission is clear: to elevate your experience through innovation, customer-centricity, and seamless execution. Together, we are reshaping the future of glass hardware—making it simpler, smarter, and better. Join us as we revolutionize the glass hardware industry—one innovative solution at a time.



Scan now to get personalized
attention and special
discounts, or visit:
glasshardware.com/register



Symbol Chart

Glass Thickness and Type

1/2" Tempered glass	3/8" & 1/2" Tempered glass	3/8", 1/2" & 9/16" Tempered glass
-------------------------------	--	---

Product Material

SS Stainless Steel	Br Solid Brass	ZA Zinc Alloy	Al Aluminum	316L Stainless Steel	Tempered glass
------------------------------	--------------------------	-------------------------	-----------------------	--------------------------------	----------------

Glass Width and Weight

32", 110 lb Max. glass width and weight	When used with two hinges
When used with two pivot hinges	When used with three hinges

Product Finishes

Chrome Polished (CP)	Brushed Nickel (BN)	Matte Black (MB)
Gold Brushed (GBR)	Brushed Stainless (BS)	Polished Stainless (PS)
Oil Rubbed Bronze (ORB)	Satin (SN)	Brass (PVD)
Polished Gun Metal (PGM)	Brushed Anodized Silver (BAS)	Brushed Anodized Black (BAS)



Index



01 Shower Door Hardware



The Box™	8
Hinges	14
Pull Handles	40
Towel Bars	44
Door Knobs	52
Glass Clamps	55
Supports and Accessories	70
PVC Seals	77
Standard Shower Doors	80

02 Sliding Systems



Twin System	84
Frameless Bypass System	86
IGT Roller System	88
SQ Roller System	92
Aventura Sliding Door	98
Modern Sliding Door System	104
IGT Barn Door Hardware	108
Semi-Automatic Barn Door	114

03 Architectural Hardware



Commercial Pull Handles	122
Door Locks	129
Transom and Bracket Fittings	134
Door Patch Fittings	143
Glass and Mirror Standoffs	150
Heavy Glass "U" Channels	152
Concealed Closers and Headers	155

04 Railing Systems



Standard Base Shoe	158
Tilt-Lock™ Base Shoe <small>NEW</small>	164
Railing Glass	174
Railing Standoffs	176
Handrail and Cap Rail	178
Brackets	197
Blank Posts	204
Rods System	212
Wire System	218
Spigots	222

05 Glazing Supplies



Installation and Cutting Tools	226
Drill Bits	230
Acrylics and Plastics	231



Shower Door Hardware



The Box™	8
Hinges	14
Pull Handles	40
Towel Bars	44
Door Knobs	52
Glass Clamps	55
Supports and Accessories	70
PVC Seals	77
Standard Shower Doors	80

the box™



We provide glass hardware, supplies, and other accessories to glazers and installers. We've seen the kinds of problems that can arise on a worksite, so we stepped in to help. Installing a traditional frameless shower doors shouldn't be a schedule-disrupting event. Now, you can make sure that all of your shower door installations go as smoothly as possible and you maximize your profits.

Scrabbling for hardware, finding pieces with mismatched

colors, or leaving the site to get what you need can derail your workflow. We get it! Leave all of that bother behind. IGT Glass Hardware has pioneered TheBox™, the all-in-one shower hardware kit that ensures you'll never scramble for parts again. You can see every piece of hardware at once, settled neatly in one compact (recycled!) cardboard package. Frameless shower doors are part of the popular minimalist trend. We aim to keep delays minimal, too.



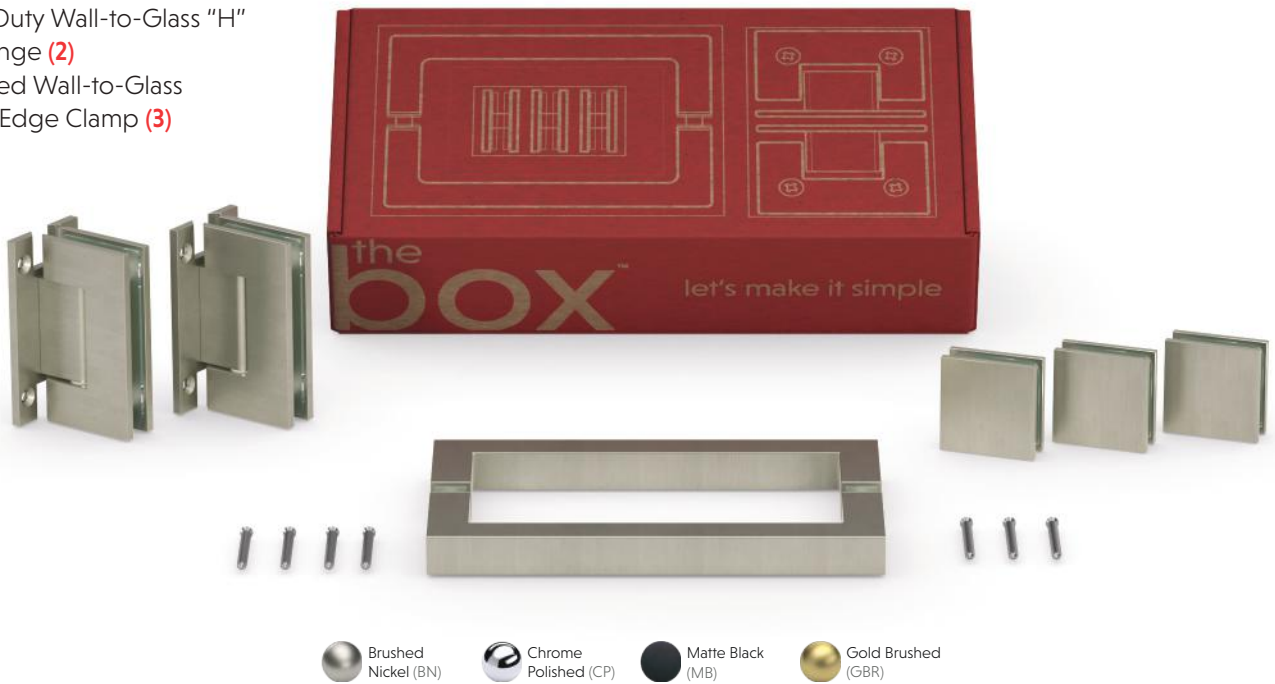
Scan to conveniently place your order

Heavy Duty "H" Back, Square Pull

CAT# WMKV803 (8" SQUARE PULL HANDLE)

Includes:

- 8" Square Pull Handle (1)
- Heavy Duty Wall-to-Glass "H" Back Hinge (2)
- Oversized Wall-to-Glass Square Edge Clamp (3)

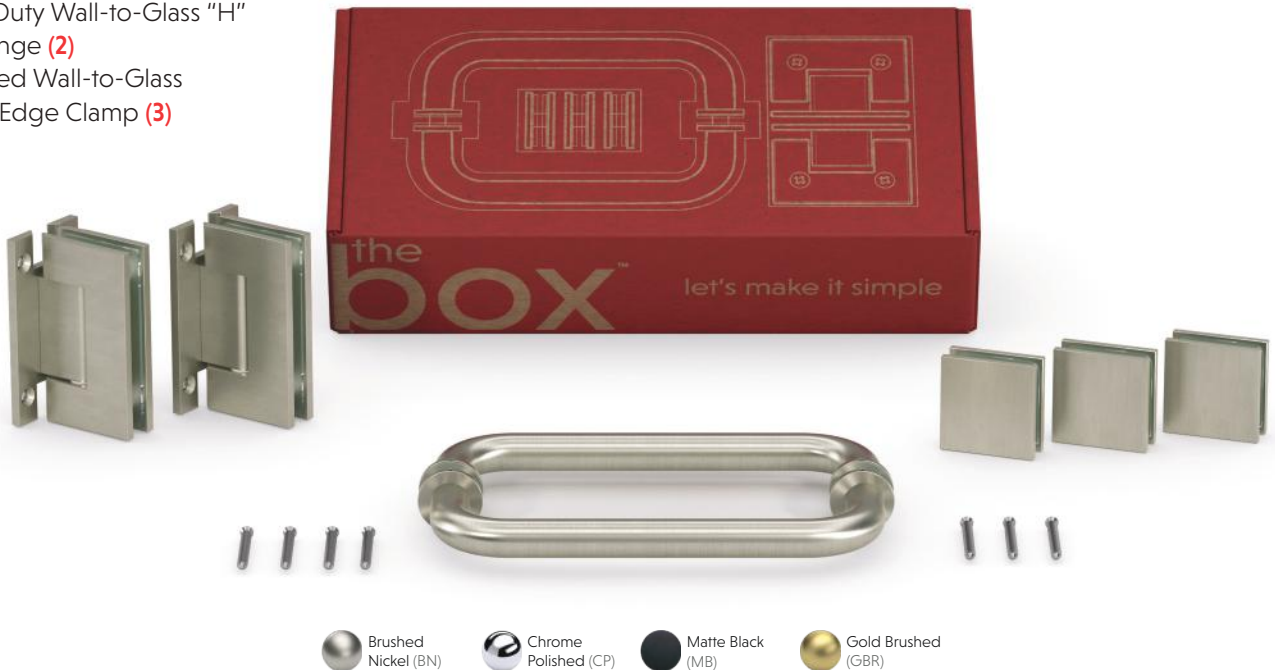


Heavy Duty "H" Back, Round Pull

CAT# WMKV802 (8" ROUND PULL HANDLE)

Includes:

- 8" Round Pull Handle (1)
- Heavy Duty Wall-to-Glass "H" Back Hinge (2)
- Oversized Wall-to-Glass Square Edge Clamp (3)



"H" Back, Round Pull

CAT# WMK602 (6" ROUND PULL HANDLE)

CAT# WMK802 (8" ROUND PULL HANDLE)

Includes:

6" or 8" Round Pull Handle (1)

Wall-to-Glass "H" Back

Malibu Hinge (2)

Wall-to-Glass Square

Edge Clamp (3)



"H" Back, Square Pull

CAT# WMK603 (6" SQUARE PULL HANDLE)

CAT# WMK803 (8" SQUARE PULL HANDLE)

Includes:

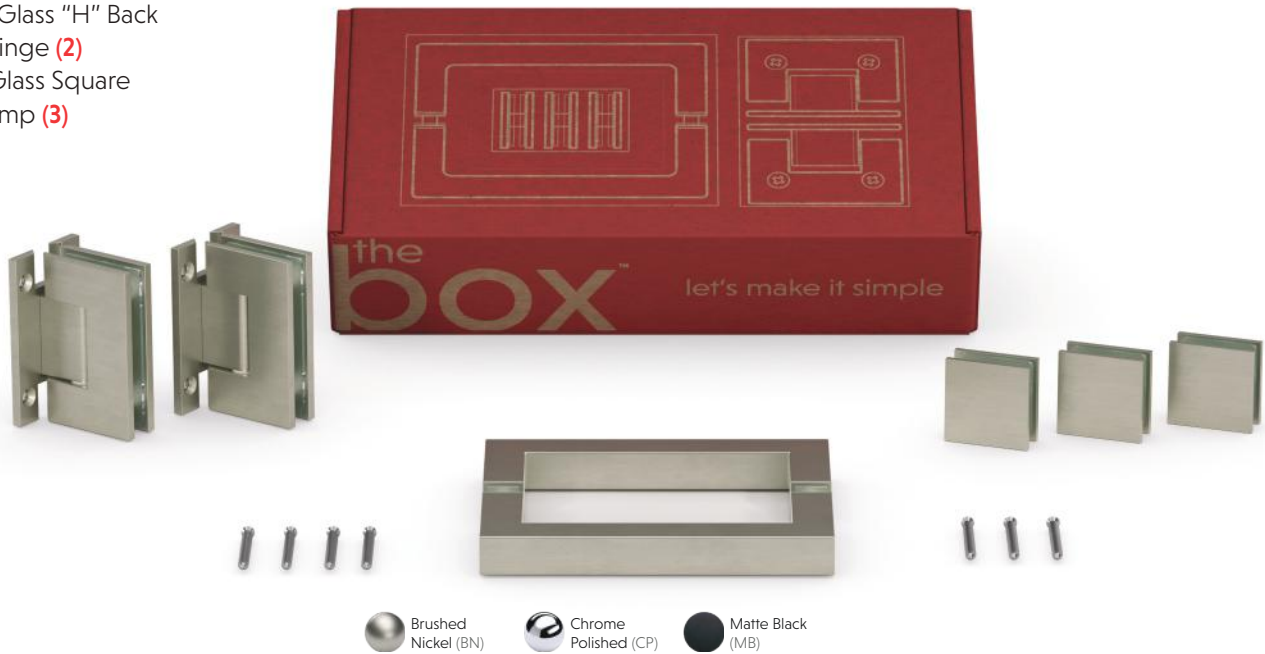
6" or 8" Square Pull Handle (1)

"Wall-to-Glass "H" Back

Malibu Hinge (2)

Wall-to-Glass Square

Edge Clamp (3)



Glass to Glass, Round Pull

CAT# GMK602 (6" ROUND PULL HANDLE)
 CAT# GMK802 (8" ROUND PULL HANDLE)

Includes:

- 6" or 8" Round Pull Handle (1)
- Glass-to-Glass 180 Degree Malibu Hinge (2)
- Wall-to-Glass Square Edge Clamp (3)



Full Back Hinge, Round Pull

CAT# WMK601 (6" ROUND PULL HANDLE)
 CAT# WMK801 (8" ROUND PULL HANDLE)

Includes:

- 6" or 8" Round Pull Handle (1)
- Wall-to-Glass Full Back Malibu Hinge (2)
- Wall-to-Glass Square Edge Clamp (3)

- Brushed Nickel (BN)
- Chrome Polished (CP)
- Oil Rubbed Bronze (ORB)

CAT# WMKV801
 (OVERSIZED CLAMPS & HEAVY DUTY HINGES)

Includes:

- 8" Round Pull Handle (1)
- Heavy Duty Wall-to-Glass Full Back Hinge (2)
- Oversized Wall-to-Glass Square Edge Clamp (3)

- Brushed Nickel (BN)
- Chrome Polished (CP)
- Gold Brushed (GBR)
- Matte Black (MB)







the
boxTM

Malibu Series

Br
Solid Brass



28", 80 lb
Max. glass width
and weight



32", 120 lb
Max. glass width
and weight

3/8" to 1/2"
Tempered
glass



Wall-to-Glass Full Back Hinge

CAT# H201



- Chrome Polished (CP)
- Oil Rubbed Bronze (ORB)
- Brass (PVD)
- Matte Black (MB)
- Brushed Nickel (BN)

Wall-to-Glass "H" Back Hinge

CAT# H201H



- Chrome Polished (CP)
- Oil Rubbed Bronze (ORB)
- Gold Brushed (GBR)
- Brushed Nickel (BN)
- Polished Gun Metal (PGM)
- Brass (PVD)
- Matte Black (MB)

Wall-to-Glass Offset Back Hinge

CAT# H205



- Chrome Polished (CP)
- Oil Rubbed Bronze (ORB)
- Gold Brushed (GBR)
- Matte Black (MB)
- Brushed Nickel (BN)
- Brass (PVD)

Wall-to-Glass 135 Degrees Hinge

CAT# H207



- Chrome Polished (CP)
- Oil Rubbed Bronze (ORB)
- Gold Brushed (GBR)
- Matte Black (MB)
- Brushed Nickel (BN)

Wall-to-Glass Short Back Hinge

CAT# H201S



- Chrome Polished (CP)
- Brushed Nickel (BN)
- Oil Rubbed Bronze (ORB)

Glass-to-Glass 90 Degree Hinge

CAT# H204



- Chrome Polished (CP)
- Oil Rubbed Bronze (ORB)
- Gold Brushed (GBR)
- Brushed Nickel (BN)
- Polished Gun Metal (PGM)
- Matte Black (MB)

Glass-to-Glass 180 Degree Hinge

CAT# H203



- Chrome Polished (CP)
- Oil Rubbed Bronze (ORB)
- Gold Brushed (GBR)
- Brushed Nickel (BN)
- Polished Gun Metal (PGM)
- Brass (PVD)
- Matte Black (MB)

Glass-to-Glass 135 Degree Hinge

CAT# H202



- Chrome Polished (CP)
- Oil Rubbed Bronze (ORB)
- Gold Brushed (GBR)
- Brushed Nickel (BN)
- Polished Gun Metal (PGM)
- Brass (PVD)
- Matte Black (MB)

Bilboa Series

Br
Solid Brass



28", 80 lb
Max. glass width
and weight



32", 120 lb
Max. glass width
and weight





3/8" to 1/2"
Tempered
glass



Wall-to-Glass Full Back Hinge

CAT# H301







-  Chrome Polished (CP)
-  Matte Black (MB)
-  Gold Brushed (GBR)
-  Brushed Nickel (BN)

Wall-to-Glass Offset Back Hinge

CAT# H305







-  Chrome Polished (CP)
-  Matte Black (MB)
-  Gold Brushed (GBR)
-  Brushed Nickel (BN)

Wall-to-Glass "H" Back Hinge

CAT# H301H







-  Chrome Polished (CP)
-  Matte Black (MB)
-  Gold Brushed (GBR)
-  Brushed Nickel (BN)

Glass-to-Glass 180 Degree Hinge

CAT# H303







-  Chrome Polished (CP)
-  Matte Black (MB)
-  Gold Brushed (GBR)
-  Brushed Nickel (BN)

Glass-to-Glass 90 Degree Hinge

CAT# H304







-  Chrome Polished (CP)
-  Matte Black (MB)
-  Gold Brushed (GBR)
-  Brushed Nickel (BN)

Glass-to-Glass 135 Degree Hinge

CAT# H302



-  Chrome Polished (CP)
-  Matte Black (MB)
-  Gold Brushed (GBR)
-  Brushed Nickel (BN)



Explore
all our hinges
at a glance



Pivot Hinges

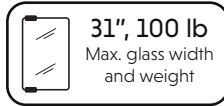
Br
Solid Brass

3/8" to 1/2"
Tempered
glass



Left and Right Wall Mount Pivot Hinge

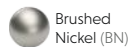
CAT# H206-RL



Left configuration

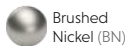
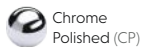


Right configuration



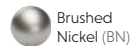
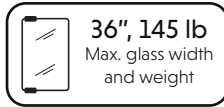
Glass-to-Glass 180 Degree Pivot Hinge

CAT# H206D



Heavy Duty Glass-to-Glass 180 Degree Pivot Hinge

CAT# H206DV



Top and Bottom Bilboa Pivot Hinge

CAT# H306



- Chrome Polished (CP)
- Oil Rubbed Bronze (ORB)
- Brass (PVD)
- Brushed Nickel (BN)
- Gold Brushed (GBR)
- Matte Black (MB)

Top and Bottom Malibu Pivot Hinge

CAT# H206



- Chrome Polished (CP)
- Matte Black (MB)
- Gold Brushed (GBR)
- Brushed Nickel (BN)
- Polished Gun Metal (PGM)
- Brass (PVD)
- Oil Rubbed Bronze (ORB)

Left and Right Wall Mount Bilboa Pivot Hinge

CAT# H306-RL



Left configuration

- Chrome Polished (CP)
- Brushed Nickel (BN)



Right configuration

- Chrome Polished (CP)
- Brushed Nickel (BN)

Adjustable Series

Br
Solid Brass



28", 80 lb
Max. glass width
and weight



32", 120 lb
Max. glass width
and weight





3/8" to 1/2"
Tempered
glass



Wall-to-Glass "H" Back Bilboa Hinge

CAT# H301HA



-  Chrome Polished (CP)
-  Matte Black (MB)
-  Gold Brushed (GBR)
-  Brushed Nickel (BN)

Wall-to-Glass "H" Back Hinge

CAT# H201HA



-  Chrome Polished (CP)
-  Matte Black (MB)
-  Gold Brushed (GBR)
-  Brushed Nickel (BN)
-  Polished Gun Metal (PGM)
-  Oil Rubbed Bronze (ORB)

Wall-to-Glass Full Back Hinge

CAT# H201A







-  Chrome Polished (CP)
-  Brushed Nickel (BN)

Glass-to-Glass 135 Degree Hinge

CAT# H202A



-  Chrome Polished (CP)
-  Matte Black (MB)
-  Gold Brushed (GBR)
-  Brushed Nickel (BN)

Heavy Duty Wall-to-Glass "H" Back Bilboa Hinge

CAT# H301HVA





B hinge cutout

36", 110 lb
Max. glass width and weight

36", 140 lb
Max. glass width and weight

NEW ITEM



-  Chrome Polished (CP)
-  Matte Black (MB)
-  Gold Brushed (GBR)
-  Brushed Nickel (BN)

Heavy Duty Glass-to-Glass 135 Degree Bilboa Hinge

CAT# H302VA





K hinge cutout

36", 110 lb
Max. glass width and weight

36", 140 lb
Max. glass width and weight

NEW ITEM



-  Chrome Polished (CP)
-  Matte Black (MB)
-  Gold Brushed (GBR)
-  Brushed Nickel (BN)

Heavy Duty Wall-to-Glass "H" Back Hinge





CAT# H201HVA

B hinge cutout

36", 110 lb
Max. glass width and weight

36", 140 lb
Max. glass width and weight



-  Chrome Polished (CP)
-  Matte Black (MB)
-  Gold Brushed (GBR)
-  Brushed Nickel (BN)

Heavy Duty Glass-to-Glass 135 Degree Hinge





CAT# H202VA

K hinge cutout

36", 110 lb
Max. glass width and weight

36", 140 lb
Max. glass width and weight



-  Chrome Polished (CP)
-  Matte Black (MB)
-  Gold Brushed (GBR)
-  Brushed Nickel (BN)

Heavy Duty Hinges

Br
Solid Brass



36", 145 lb
Max. glass width
and weight



36", 110 lb
Max. glass width
and weight

3/8" to 1/2"
Tempered
glass



36", 140 lb
Max. glass width
and weight



Top and Bottom Malibu Pivot Hinge

CAT# H206V







-  Chrome Polished (CP)
-  Matte Black (MB)
-  Gold Brushed (GBR)
-  Brushed Nickel (BN)
-  Polished Gun Metal (PGM)

Top and Bottom Pivot Hinge

CAT# H306V








-  Chrome Polished (CP)
-  Matte Black (MB)
-  Gold Brushed (GBR)
-  Brushed Nickel (BN)

Wall-to-Glass Full Back Hinge

CAT# H201V



-  Chrome Polished (CP)
-  Oil Rubbed Bronze (ORB)
-  Matte Black (MB)
-  Brushed Nickel (BN)
-  Gold Brushed (GBR)

Wall-to-Glass "H" Back Hinge

CAT# H201HV



-  Chrome Polished (CP)
-  Oil Rubbed Bronze (ORB)
-  Gold Brushed (GBR)
-  Brushed Nickel (BN)
-  Polished Gun Metal (PGM)
-  Matte Black (MB)

Wall-to-Glass Offset Back Hinge

CAT# H205V



- Chrome Polished (CP)
- Matte Black (MB)
- Brushed Nickel (BN)
- Gold Brushed (GBR)

Glass-to-Glass 180 Degree Hinge

CAT# H203V



- Chrome Polished (CP)
- Matte Black (MB)
- Gold Brushed (GBR)
- Brushed Nickel (BN)
- Polished Gun Metal (PGM)
- Oil Rubbed Bronze (ORB)

Wall-to-Glass "H" Back Bilboa Hinge

CAT# H301HV



- Chrome Polished (CP)
- Matte Black (MB)
- Gold Brushed (GBR)
- Brushed Nickel (BN)

Wall-to-Glass Offset Back Bilboa Hinge

CAT# H305V



- Chrome Polished (CP)
- Matte Black (MB)
- Gold Brushed (GBR)
- Brushed Nickel (BN)

Glass-to-Glass 180 Degree Bilboa Hinge

CAT# H303V



**NEW
ITEM**



- Chrome Polished (CP)
- Matte Black (MB)
- Gold Brushed (GBR)
- Brushed Nickel (BN)

Glass-to-Glass 135 Degree Bilboa Hinge

CAT# H302V



**NEW
ITEM**



- Chrome Polished (CP)
- Matte Black (MB)
- Gold Brushed (GBR)
- Brushed Nickel (BN)

Glass-to-Glass 135 Degree Hinge

CAT# H202V



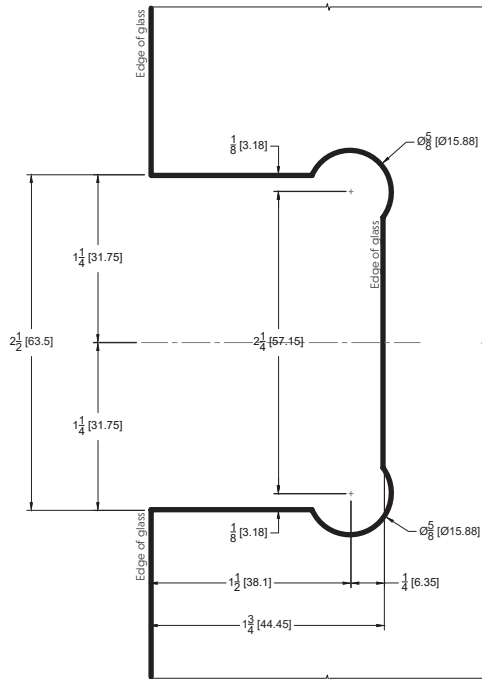
- Chrome Polished (CP)
- Matte Black (MB)
- Gold Brushed (GBR)
- Brushed Nickel (BN)
- Polished Gun Metal (PGM)
- Oil Rubbed Bronze (ORB)



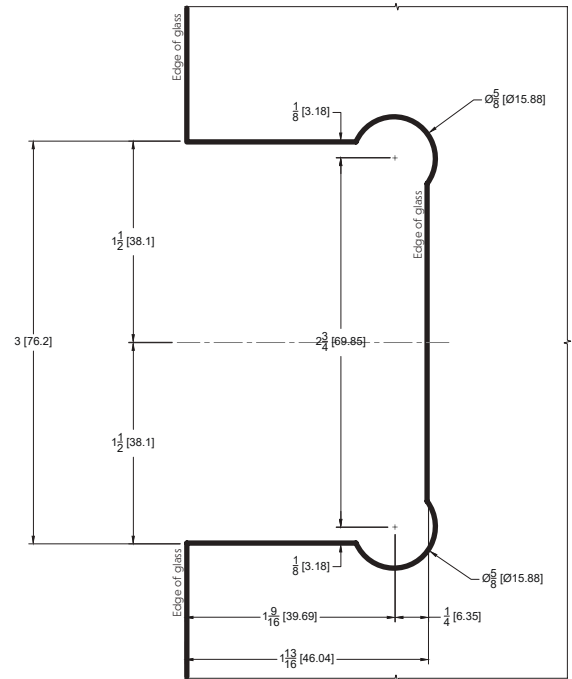
Installation view



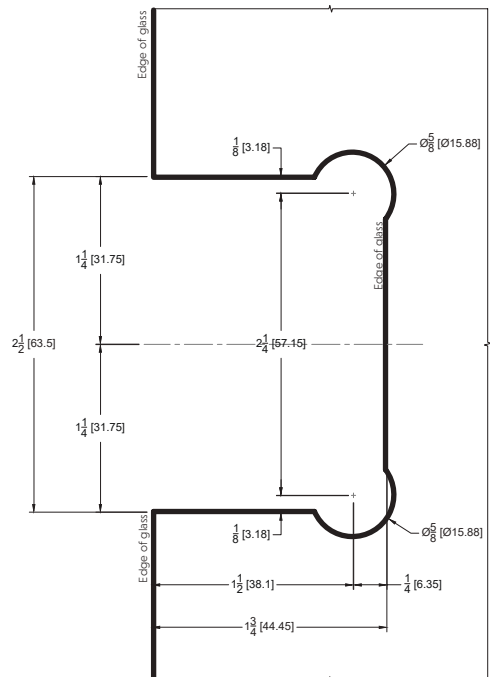
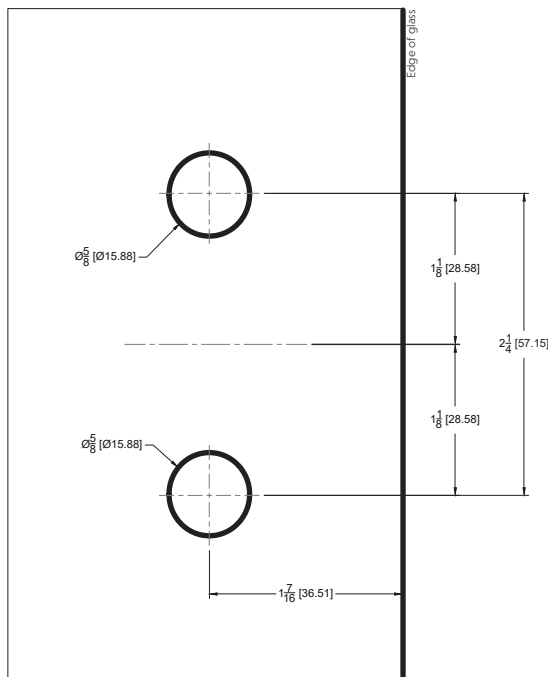
A
hinge type



B
hinge type

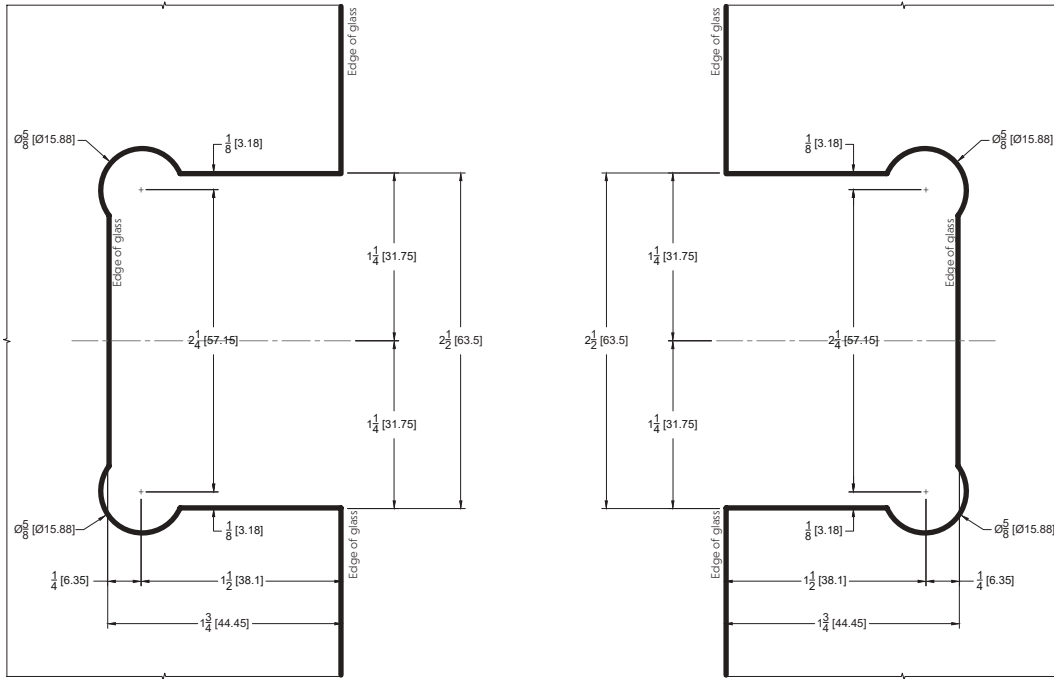


C
hinge type



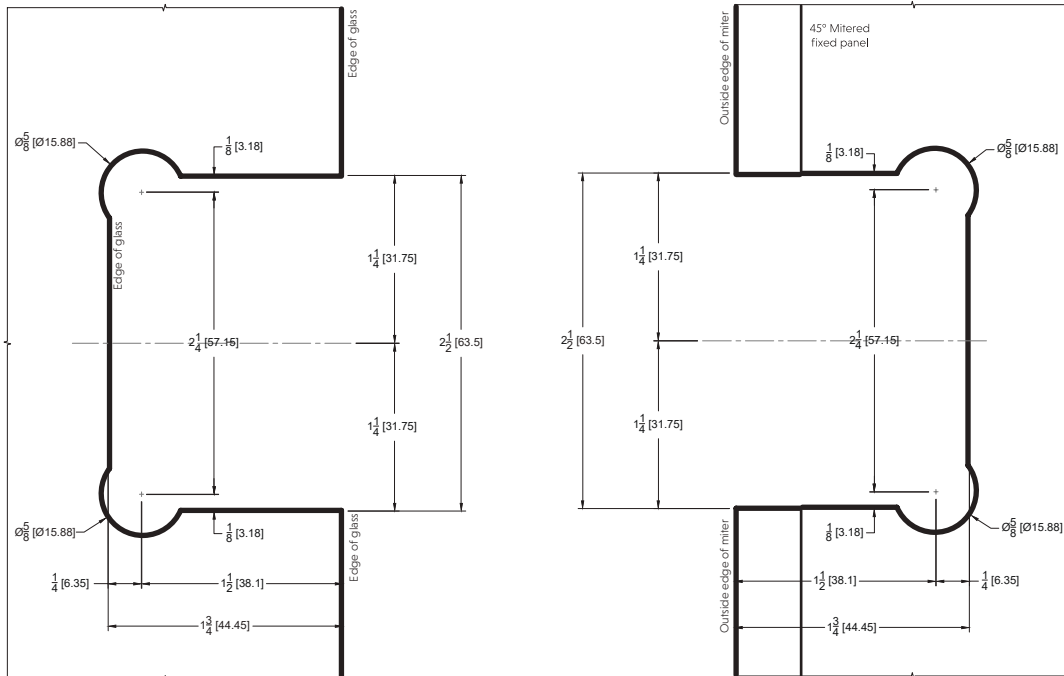
D

hinge type



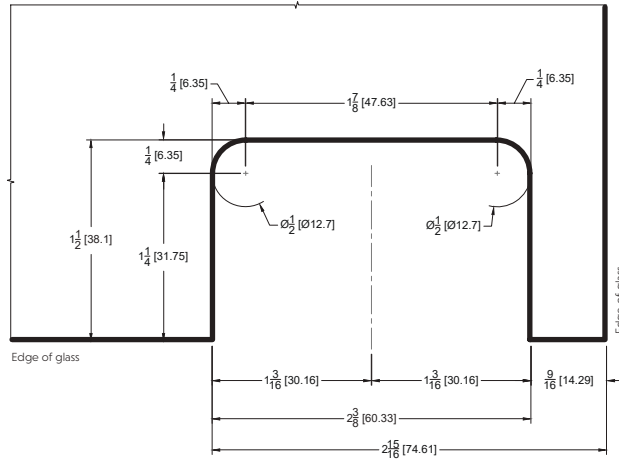
E

hinge type



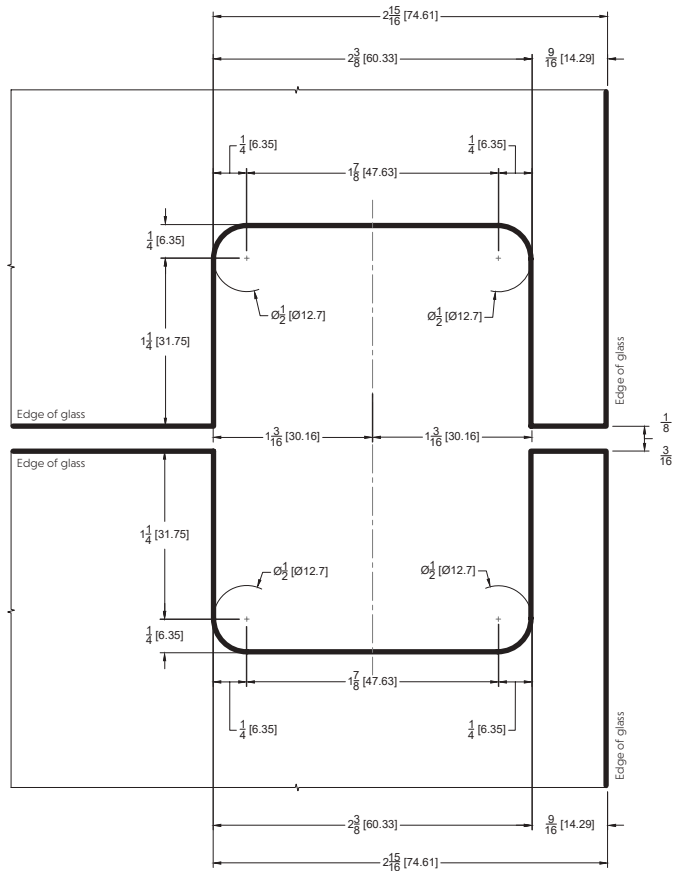
F

hinge type



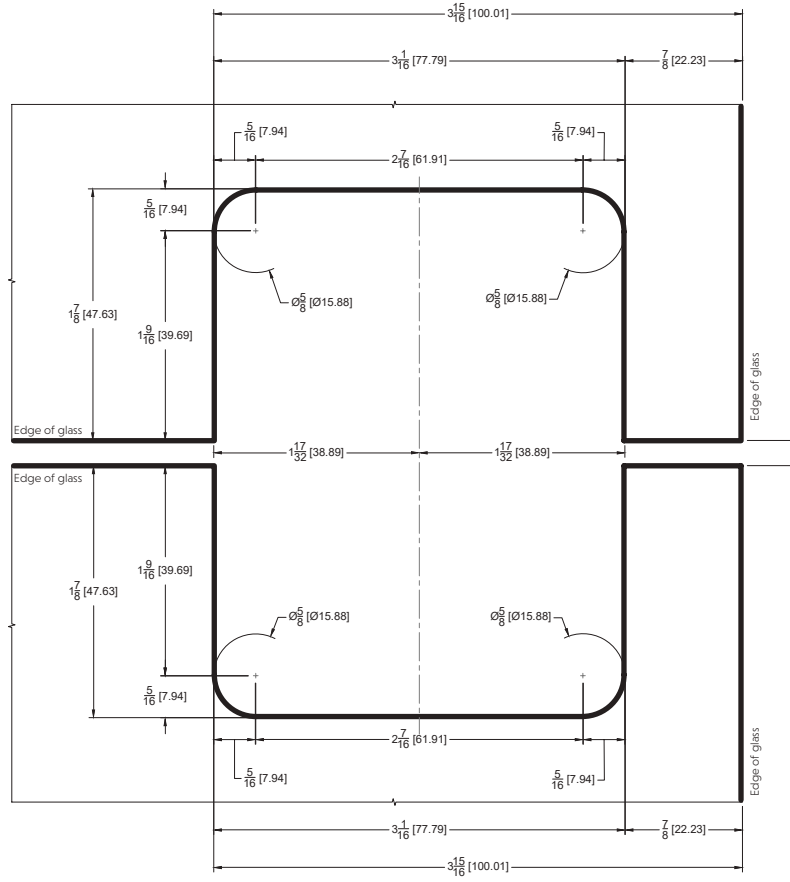
G

hinge type



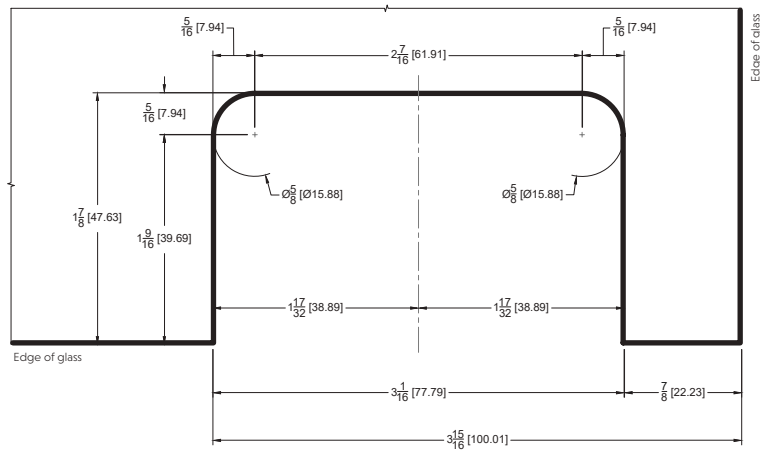
H

hinge type



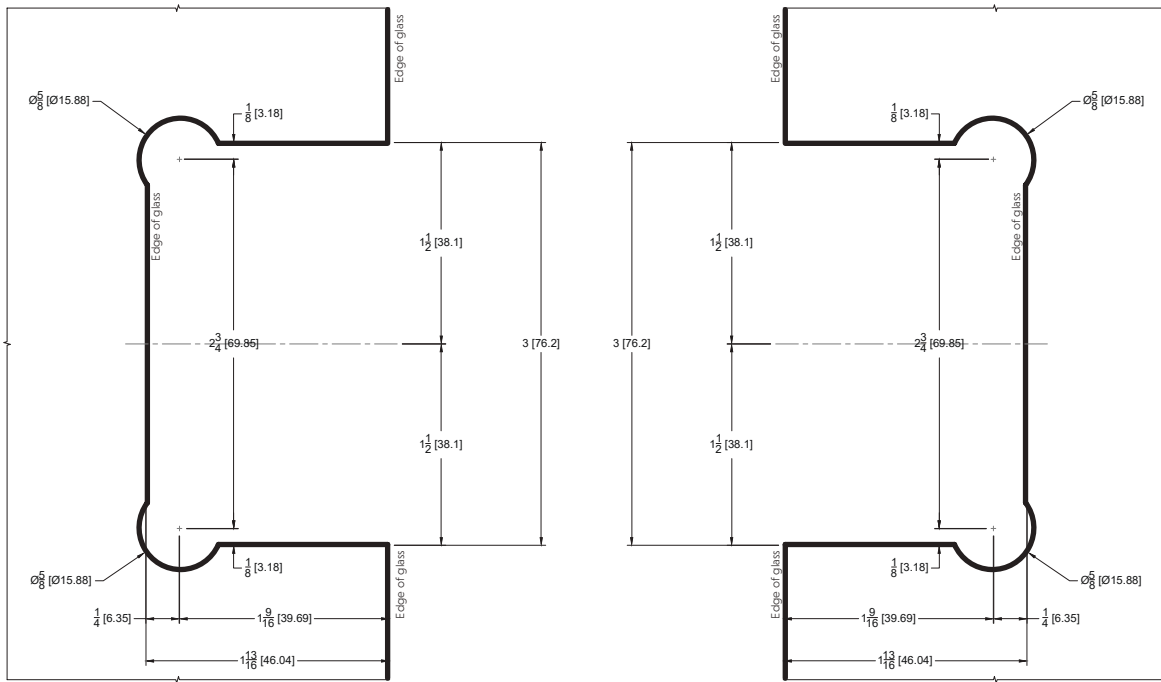
I

hinge type



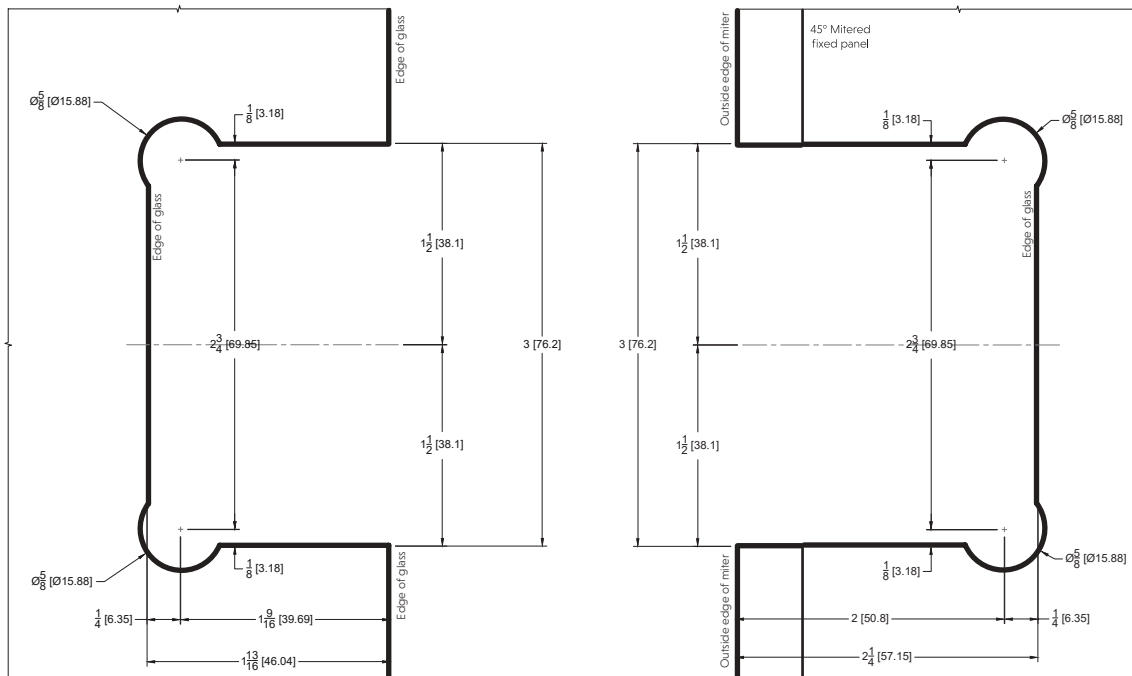
J

hinge type



K

hinge type



Hinge Replacement Hardware

Br
Solid Brass




3/8" to 1/2"
Tempered
glass



Replacement Full Back Plate for Hinges

CAT# H201BP | CAT# H201VBP (HEAVY DUTY)



-  Brushed Nickel (BN)
-  Chrome Polished (CP)
-  Matte Black (MB)

Replacement Offset Back Plate for Hinges

CAT# H205BP | CAT# H205VBP (HEAVY DUTY)



-  Brushed Nickel (BN)
-  Chrome Polished (CP)
-  Matte Black (MB)

Replacement "H" Back Plate for Hinges

CAT# H201HBP | CAT# H201HVBP (HEAVY DUTY)



-  Brushed Nickel (BN)
-  Chrome Polished (CP)

Replacement Short Back Plate for Hinges

CAT# H201SBP



-  Brushed Nickel (BN)
-  Chrome Polished (CP)
-  Matte Black (MB)

Replacement Wall Mount Pivot Hinge Plate Left and Right Side



CAT# H206BP-L-R



Left configuration

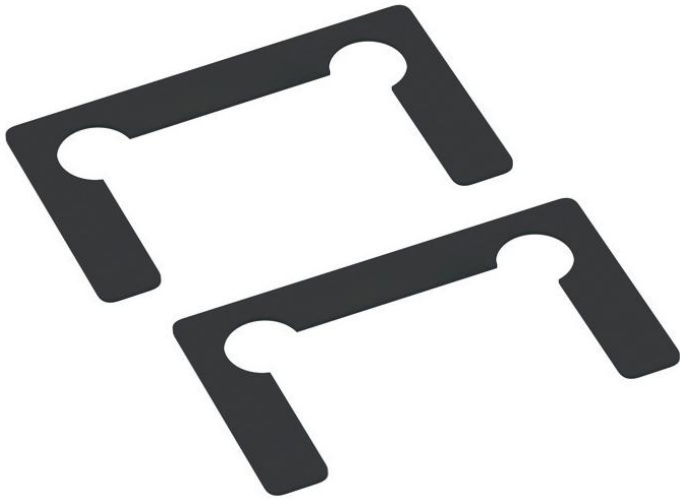


Right configuration

-  Brushed Nickel (BN)
-  Chrome Polished (CP)

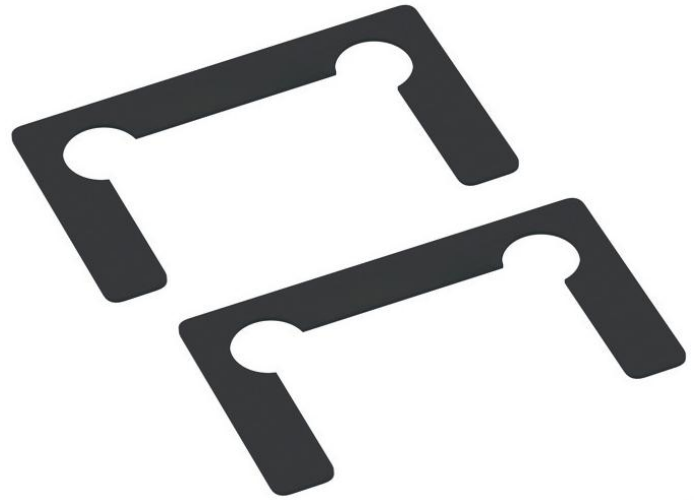
3/8" Glass Rubber Gasket for Hinges

CAT# BRG38



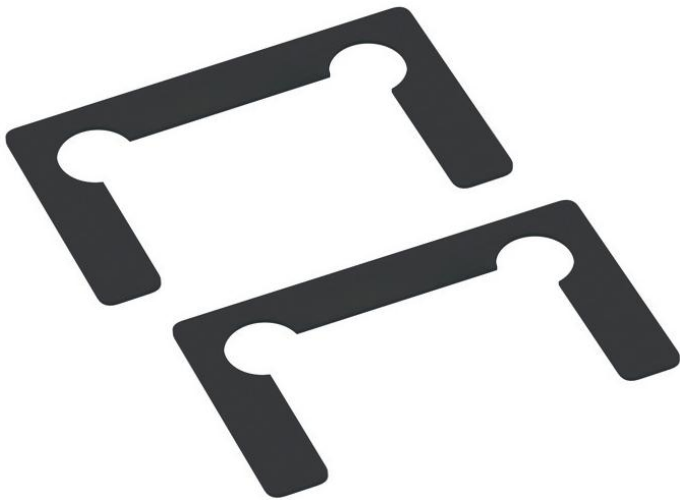
1/2" Glass Rubber Gaskets for Hinges

CAT# BRG12



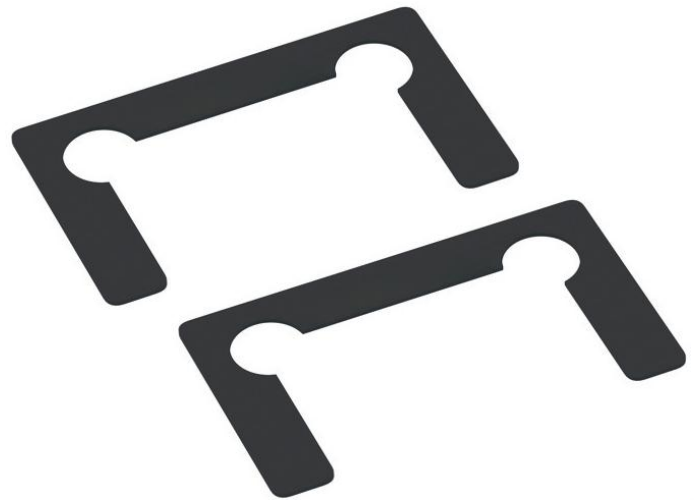
3/8" Glass Rubber Gaskets for Heavy Duty Hinges

CAT# BRGV38



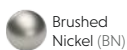
1/2" Glass Rubber Gaskets for Heavy Duty Hinges

CAT# BRGV12



Stainless Steel Screw for Hinge Cover Plate

CAT# M10X50



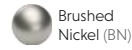
Brushed Nickel (BN)



Chrome Polished (CP)

Stainless Steel Screw for Wall Mount Back Plate

CAT# M5X50



Brushed Nickel (BN)



Chrome Polished (CP)



Pull Handles

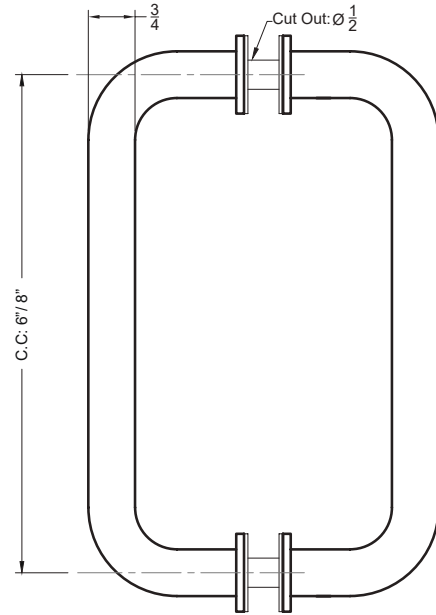
304
Stainless
Steel


3/8" to 1/2"
Tempered
glass



Round Pull Handle

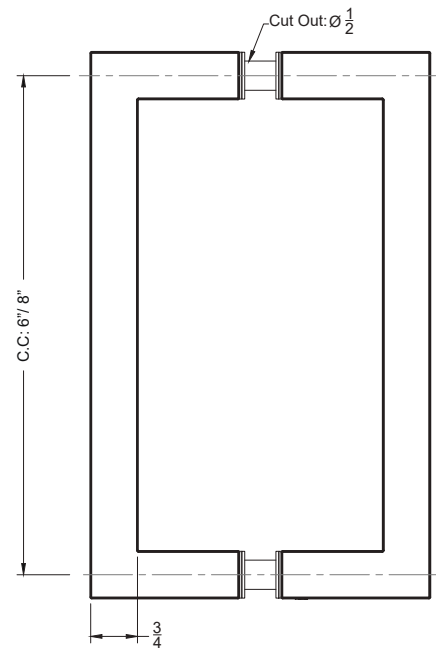
CAT# PH606 | CAT# PH808










- | | | | |
|---|--|---|--|
|  Chrome Polished (CP) |  Matte Black (MB) |  Brushed Nickel (BN) |  Gold Brushed (GBR) |
|  Oil Rubbed Bronze (ORB) |  Polished Gun Metal (PGM) |  Brass (PVD) | |

Square Pull Handle

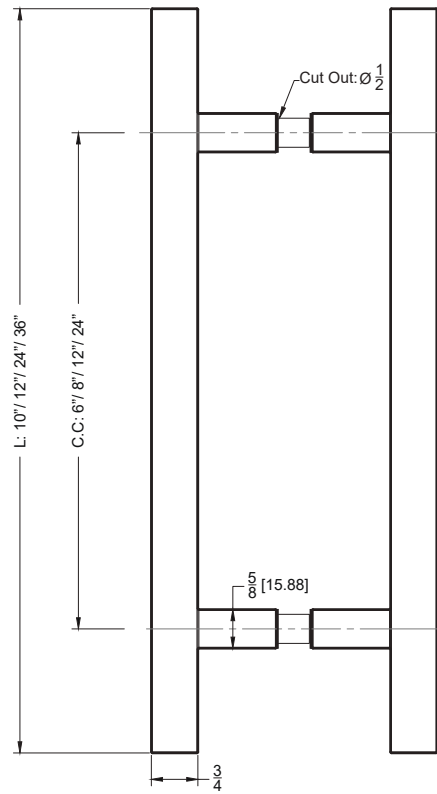
CAT# SP606 | CAT# SP808



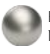



- | | | | |
|---|--|---|--|
|  Chrome Polished (CP) |  Matte Black (MB) |  Brushed Nickel (BN) |  Gold Brushed (GBR) |
|  Oil Rubbed Bronze (ORB) |  Polished Gun Metal (PGM) |  Brass (PVD) | |

Square Ladder Handle

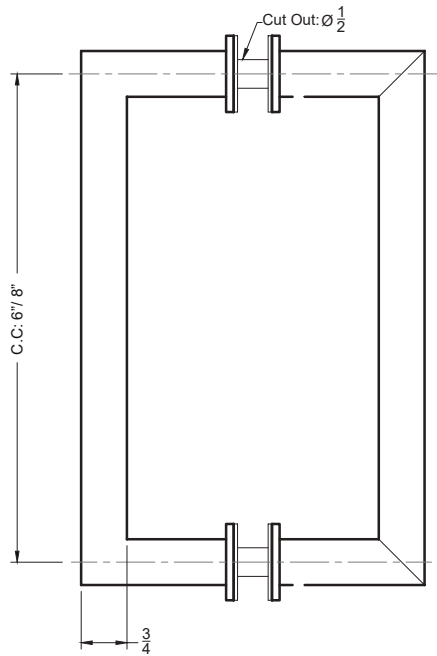
CAT# SOLH6X6 | CAT# SOLH8X8








-  Chrome Polished (CP)
 -  Matte Black (MB)
 -  Brushed Nickel (BN)
 -  Oil Rubbed Bronze (ORB)
- Only SOLH8X8

Mitered Corner Pull Handle

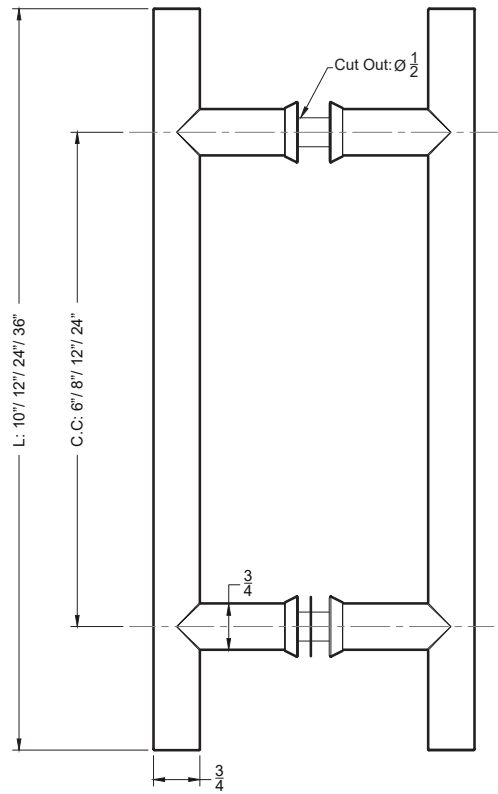
CAT# MC606 | CAT# MC808



-  Chrome Polished (CP)
-  Brushed Nickel (BN)
-  Oil Rubbed Bronze (ORB)
-  Matte Black (MB)
-  Gold Brushed (GBR)

Round Ladder Handle

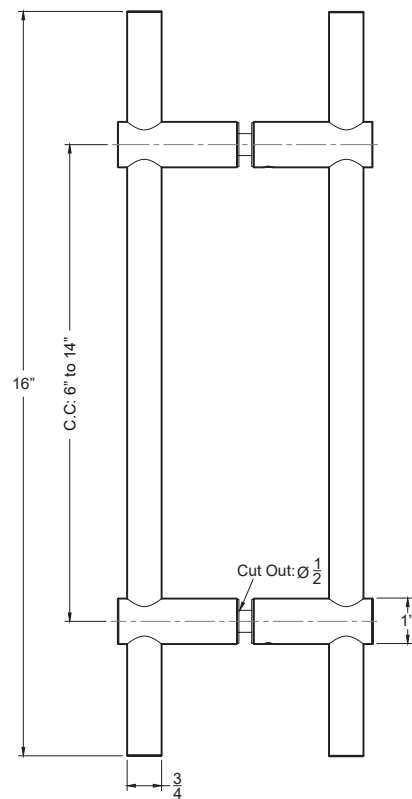
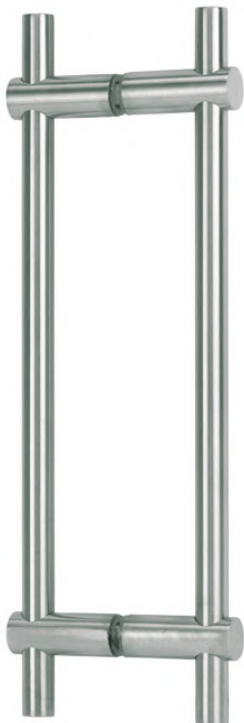
CAT# LH6X6 | CAT# LH8X8 | CAT# LHS12X12 | CAT# LHS24X24



- Chrome Polished (CP)
- Matte Black (MB)
- Brushed Nickel (BN)
- Oil Rubbed Bronze (ORB)
- Polished Gun Metal (PGM)
- Gold Brushed (GBR)

Round Adjustable Ladder Handle

CAT# AH16

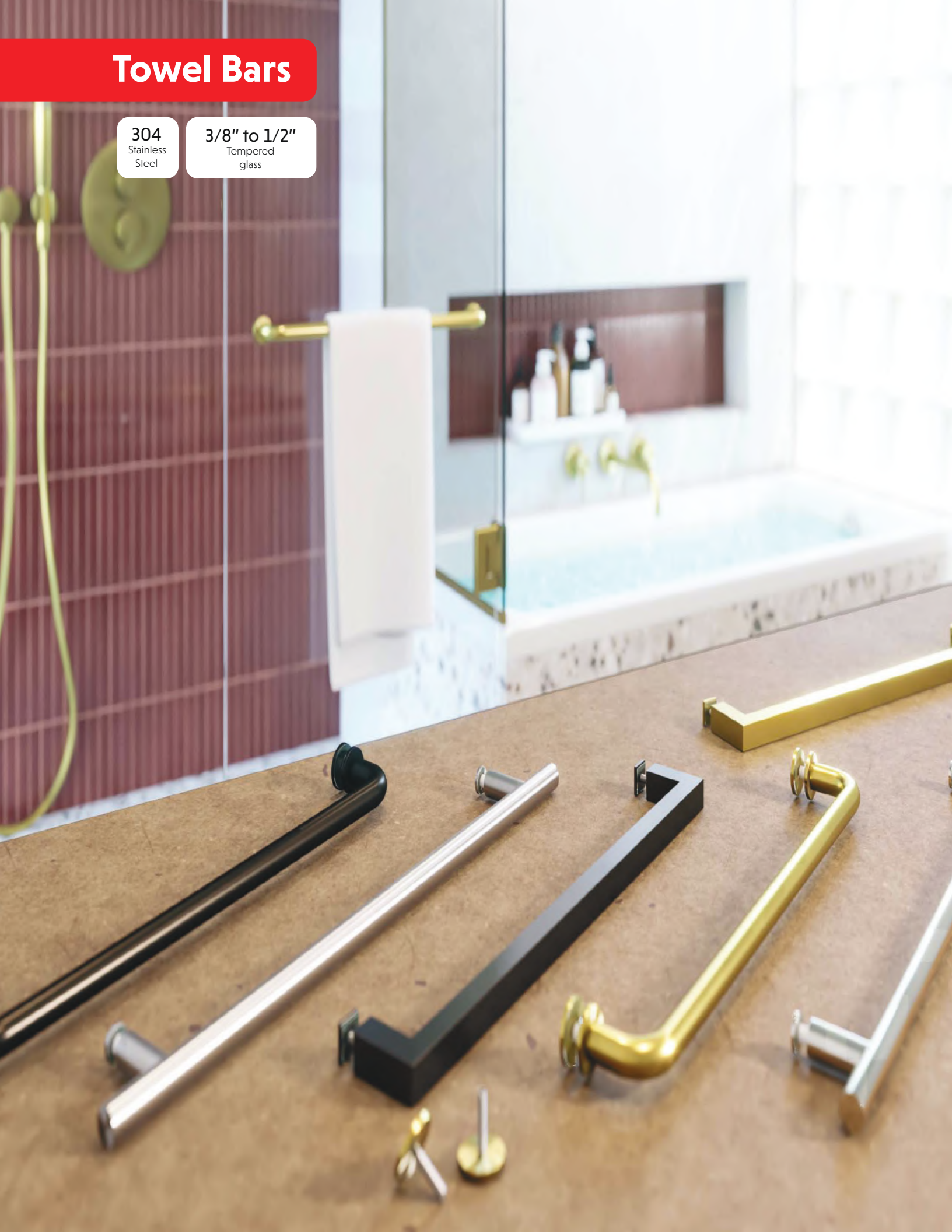


- Chrome Polished (CP)
- Brushed Nickel (BN)

Towel Bars

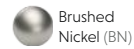
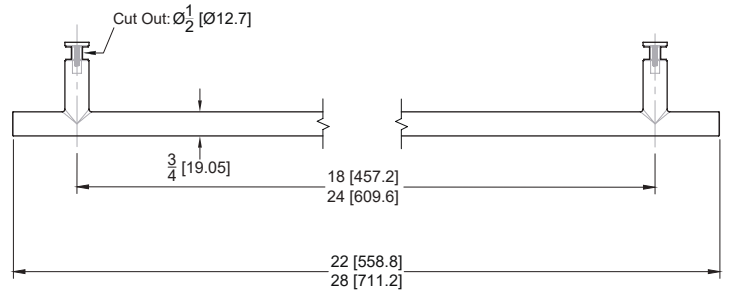
304
Stainless
Steel

3/8" to 1/2"
Tempered
glass



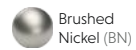
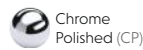
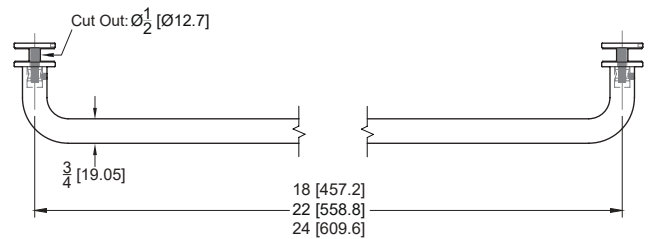
Single-Sided Round Ladder Style Towel Bar

CAT# LH018 | CAT# LH024



Single-Sided Round Towel Bar

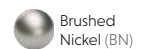
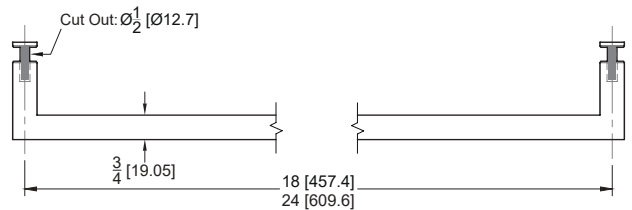
CAT# TB018 | CAT# TB022 | CAT# TB024



Only TB024

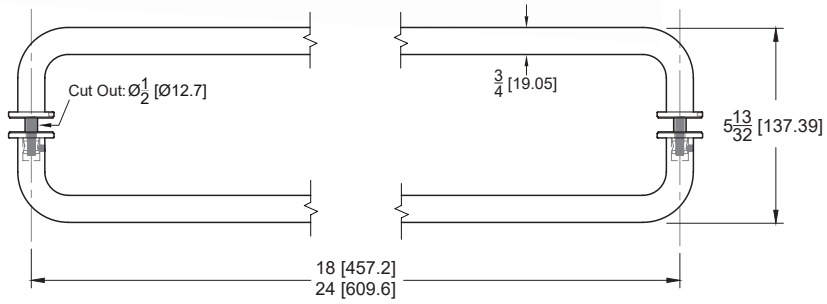
Single-Sided Square Towel Bar





CAT# SP018 | CAT# SP024



Back-to-Back Round Towel Bar

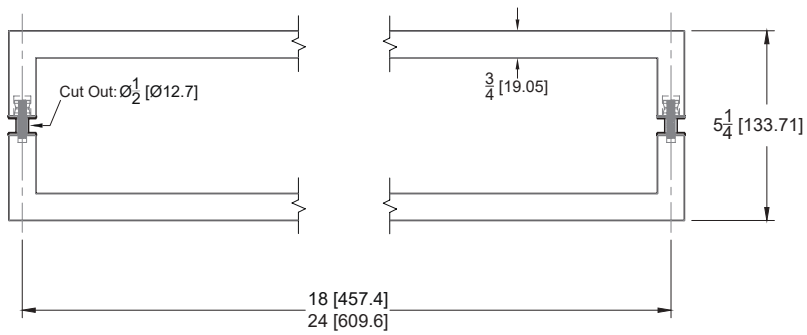
CAT# TB18X18 | CAT# TB24X24



-  Chrome Polished (CP)
-  Matte Black (MB)
-  Brushed Nickel (BN)
-  Oil Rubbed Bronze (ORB)

Back-to-Back Square Towel Bar

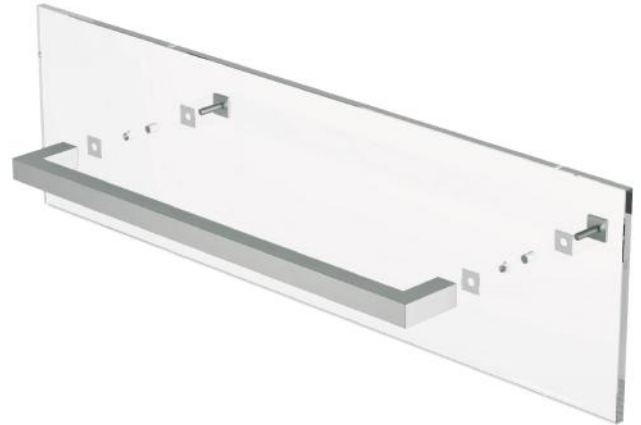
CAT# SP18X18 | CAT# SP24X24



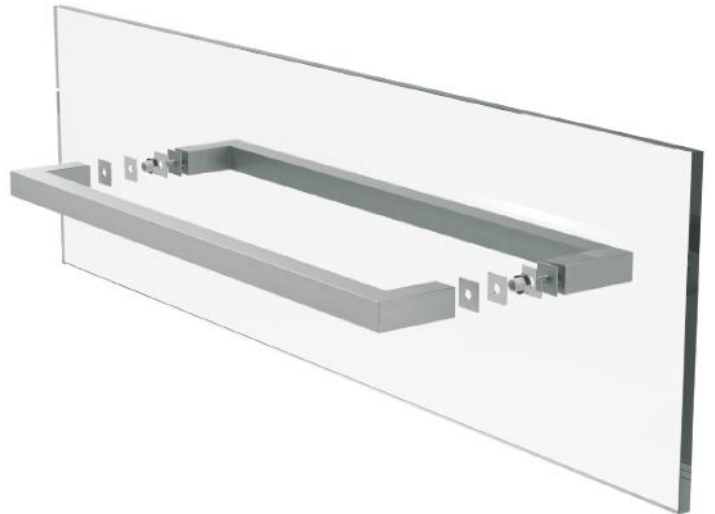
-  Chrome Polished (CP)
 -  Brushed Nickel (BN)
 -  Gold Brushed (GBR)
 -  Oil Rubbed Bronze (ORB)
 -  Matte Black (MB)
- Only SP18X18
Only SP24X24

Installation view comparison

Single-Sided



Back-to-Back



Cap Fittings for Round Pull Handle and Towel Bar

CAT# CAP34



-  Chrome Polished (CP)
-  Matte Black (MB)
-  Brushed Nickel (BN)

Cap Fittings for Round Pull Handle and Towel Bar with Cone Bolt

CAT# TBCAP

Front

Back



-  Chrome Polished (CP)
-  Matte Black (MB)
-  Brushed Nickel (BN)

Towel Bar Combinations

304
Stainless
Steel

3/8" to 1/2"
Tempered
glass





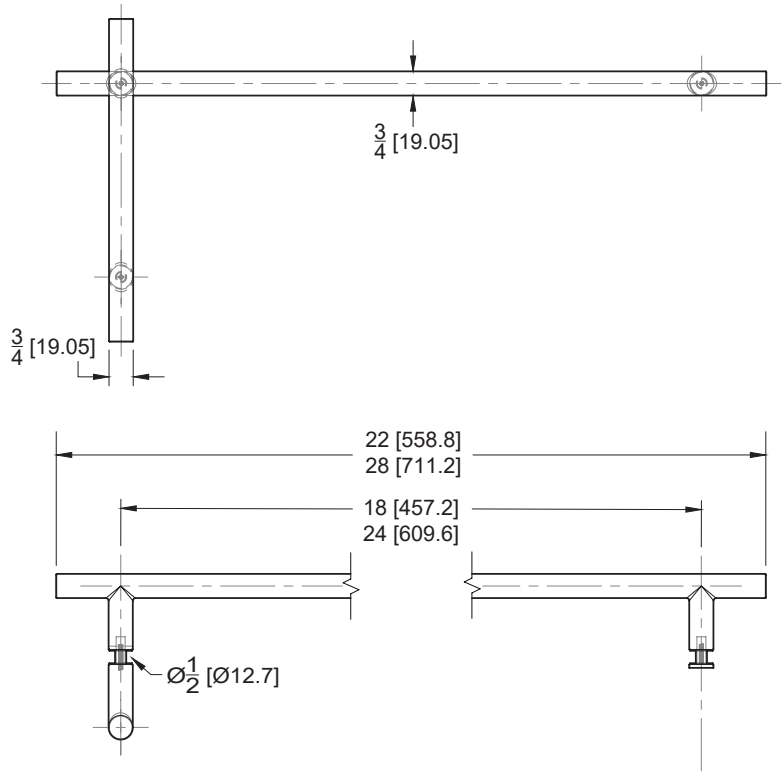
Pull Handle and Round Ladder Style Towel Bar Combination

CAT# LH618 (6"P/18"T) | CAT# LH624 (6"P/24"T)

1/2" Hole required



 Chrome Polished (CP)
  Brushed Nickel (BN)




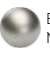


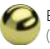
Installation view

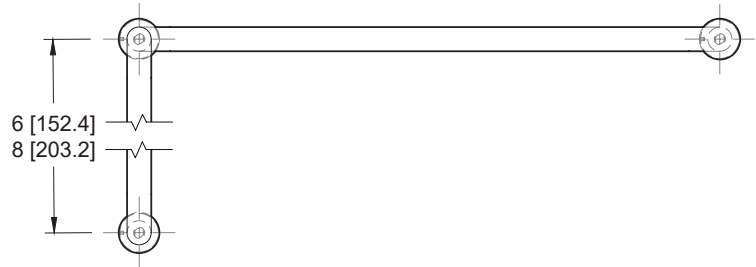
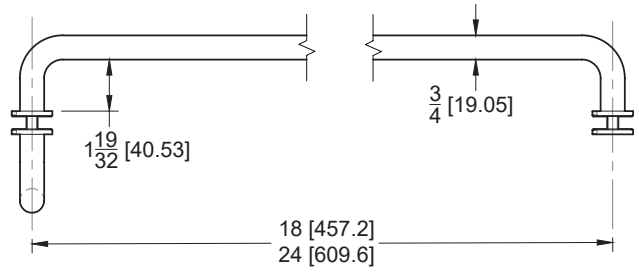
Pull Handle and Round Towel Bar Combination

CAT# PH618 (6"P/18"T) | CAT# PH624 (6"P/24"T)
 CAT# PH818 (8"P/18"T) | CAT# PH824 (8"P/24"T)

⊕ 1/2" Hole required



-  Chrome Polished (CP)
-  Brushed Nickel (BN)
-  Matte Black (MB)
-  Oil Rubbed Bronze (ORB)
-  Brass (PVD)



Installation view

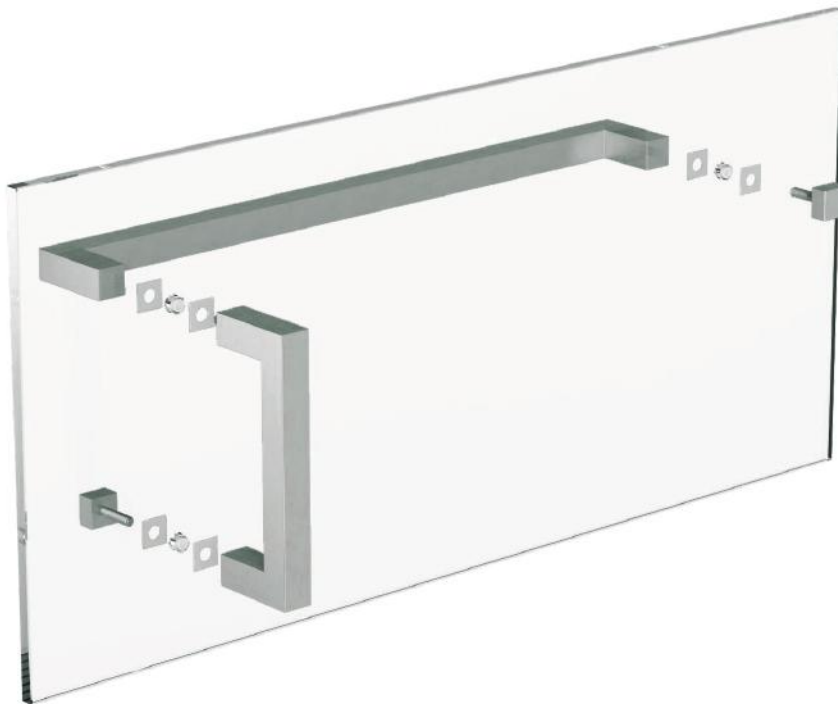
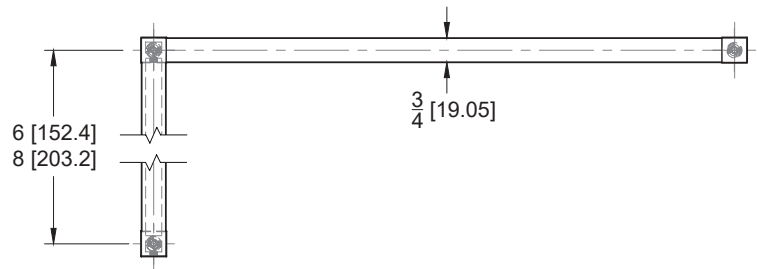
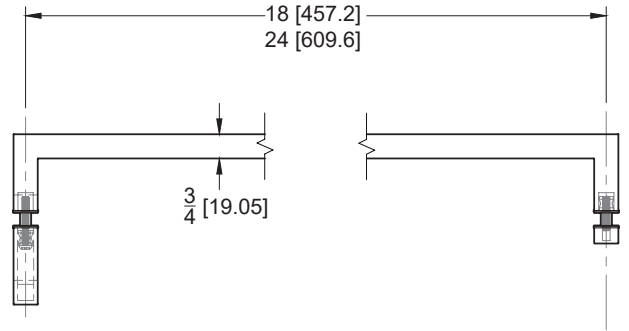
Pull Handle and Square Towel Bar Combination

CAT# SP618 (6"P/18"T) | CAT# SP624 (6"P/24"T)
 CAT# SP818 (8"P/18"T) | CAT# SP824 (8"P/24"T)

⊕ 1/2" Hole required



 Chrome Polished (CP)
  Brushed Nickel (BN)



Installation view

Door Knobs

3/8" to 1/2"
Tempered
glass



Contemporary Style

CAT# Z5102

1/2" Hole required

Br
Solid Brass



- Chrome Polished (CP)
- Brushed Nickel (BN)
- Matte Black (MB)
- Oil Rubbed Bronze (ORB)

European Style

CAT# Z5103

1/2" Hole required

Br
Solid Brass



- Chrome Polished (CP)
- Brushed Nickel (BN)
- Matte Black (MB)
- Oil Rubbed Bronze (ORB)

Ribbed Bow Tie Style

CAT# Z5104

1/2" Hole required

Br
Solid Brass



- Chrome Polished (CP)
- Brushed Nickel (BN)
- Matte Black (MB)
- Oil Rubbed Bronze (ORB)

Traditional Style

CAT# Z5105

1/2" Hole required

Br
Solid Brass



- Chrome Polished (CP)
- Brushed Nickel (BN)
- Matte Black (MB)
- Oil Rubbed Bronze (ORB)

Junior Traditional Style

CAT# Z5106

1/2" Hole required

Br
Solid Brass



- Chrome Polished (CP)
- Brushed Nickel (BN)
- Matte Black (MB)
- Oil Rubbed Bronze (ORB)

Modern Ribbed Bow Tie Style

CAT# Z5107

1/2" Hole required

Br
Solid Brass



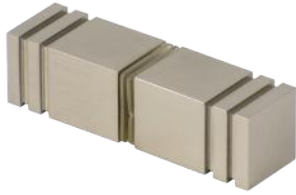
- Chrome Polished (CP)
- Brushed Nickel (BN)
- Matte Black (MB)
- Oil Rubbed Bronze (ORB)

Square Style

CAT# Z5108

⊕ 1/2" Hole required

Br
Solid Brass



- Chrome Polished (CP)
- Oil Rubbed Bronze (ORB)
- Gold Brushed (GBR)
- Brushed Nickel (BN)
- Polished Gun Metal (PGM)
- Matte Black (MB)
- Brass (PVD)

Finger Pull

CAT# TDL55

304
Stainless Steel



- Chrome Polished (CP)
- Matte Black (MB)
- Gold Brushed (GBR)
- Brushed Nickel (BN)
- Polished Gun Metal (PGM)
- Oil Rubbed Bronze (ORB)
- Brass (PVD)
- Satin (SN)

Glass Door Lock Receiver

CAT# GDL71

304
Stainless Steel

L
glass cutout



- Matte Black (MB)
- Polished Stainless (PS)
- Brushed Stainless (BS)

Glass Door Lock with Indicator

CAT# GDL70

304
Stainless Steel

L
glass cutout



Front

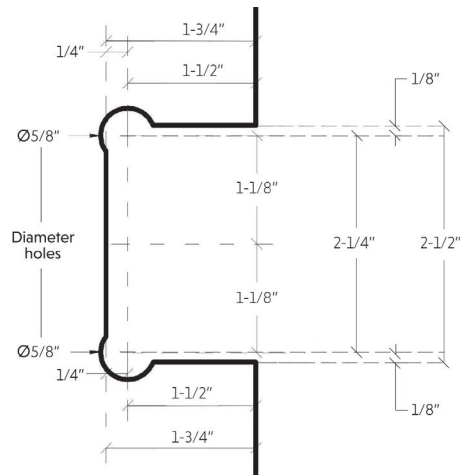


Back

- Matte Black (MB)
- Polished Stainless (PS)
- Brushed Stainless (BS)

Cutouts

L
door lock type



Glass Clamps

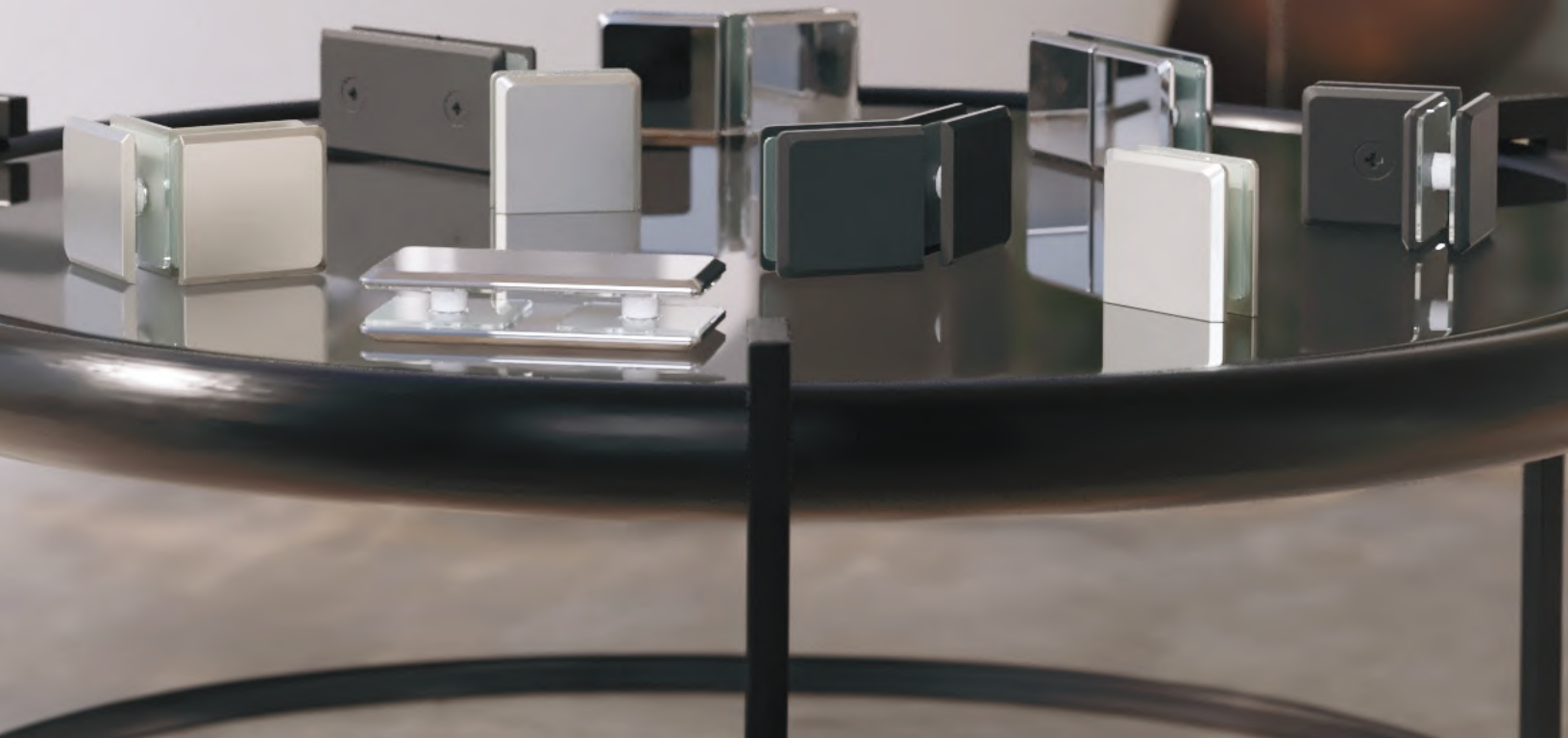


Bilboa Series

NEW
ITEMS

Br
Solid Brass

3/8" to 1/2"
Tempered
glass



Wall-to-Glass Bilboa Clamp

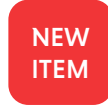
CAT# GC43



- Chrome Polished (CP)
- Matte Black (MB)
- Gold Brushed (GBR)
- Brushed Nickel (BN)

Glass-to-Glass 90 Degree Bilboa Clamp

CAT# GC43C



- Chrome Polished (CP)
- Matte Black (MB)
- Gold Brushed (GBR)
- Brushed Nickel (BN)

Glass-to-Glass 135 Degree Bilboa Clamp

CAT# GC43B



- Chrome Polished (CP)
- Matte Black (MB)
- Gold Brushed (GBR)
- Brushed Nickel (BN)

Glass-to-Glass Adjustable Bilboa Clamp

CAT# GC43AD



- Chrome Polished (CP)
- Matte Black (MB)
- Gold Brushed (GBR)
- Brushed Nickel (BN)

Glass-to-Glass 180 Degree Bilboa Clamp (Split Face)

CAT# GC43A



- Chrome Polished (CP)
- Matte Black (MB)
- Gold Brushed (GBR)
- Brushed Nickel (BN)

Traditional Series

Br
Solid Brass

3/8" to 1/2"
Tempered
glass



Wall-to-Glass Clamp

CAT# GC44



Front



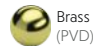
Back



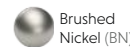
Chrome Polished (CP)



Oil Rubbed Bronze (ORB)



Brass (PVD)



Brushed Nickel (BN)

Glass-to-Glass 180 Degree Clamp (Split Face)

CAT# GC44A



Front



Back



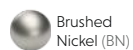
Wall mount



Chrome Polished (CP)



Oil Rubbed Bronze (ORB)



Brushed Nickel (BN)

Glass-to-Glass 180 Degree Clamp (Full Plates)

CAT# GC44A2



Front



Back



Glass-to-Glass 90 Degree Clamp

CAT# GC44C



Front



Back



Wall mount



Glass-to-Glass 135 Degree Clamp

CAT# GC44B



Front



Back



Glass-to-Glass Adjustable Clamp

CAT# GC44AD



Front



Back



Wall mount



Square Edge Series

Br
Solid Brass

3/8" to 1/2"
Tempered
glass



Wall-to-Glass Square Edge Clamp

CAT# GC45



Front



Back

- | | | |
|----------------------|--------------------------|-------------------------|
| Chrome Polished (CP) | Matte Black (MB) | Gold Brushed (GBR) |
| Brushed Nickel (BN) | Polished Gun Metal (PGM) | Oil Rubbed Bronze (ORB) |
| Brass (PVD) | | |

Glass-to-Glass 180 Degree Square Edge Clamp (Split Face)

CAT# GC45A



Front



Back



Wall mount



- | | | |
|----------------------|--------------------------|-------------------------|
| Chrome Polished (CP) | Matte Black (MB) | Gold Brushed (GBR) |
| Brushed Nickel (BN) | Polished Gun Metal (PGM) | Oil Rubbed Bronze (ORB) |
| Brass (PVD) | | |

Glass-to-Glass 135 Degree Square Edge Clamp

CAT# GC45B



Front



Back

- Chrome Polished (CP)
- Matte Black (MB)
- Gold Brushed (GBR)
- Brushed Nickel (BN)
- Polished Gun Metal (PGM)
- Oil Rubbed Bronze (ORB)
- Brass (PVD)

Glass-to-Glass 180 Degree Square Edge Clamp (Full Plates)

CAT# GC45A2



Front



Back

- Chrome Polished (CP)
- Matte Black (MB)
- Gold Brushed (GBR)
- Brushed Nickel (BN)
- Polished Gun Metal (PGM)
- Oil Rubbed Bronze (ORB)

Glass-to-Glass 90 Degree Square Edge Clamp

CAT# GC45C



Front



Back



Wall mount

- Chrome Polished (CP)
- Matte Black (MB)
- Gold Brushed (GBR)
- Brushed Nickel (BN)
- Polished Gun Metal (PGM)
- Oil Rubbed Bronze (ORB)
- Brass (PVD)

Glass-to-Glass Adjustable Square Edge Clamp

CAT# GC45AD



Front



Back

- Chrome Polished (CP)
- Matte Black (MB)
- Gold Brushed (GBR)
- Brushed Nickel (BN)
- Polished Gun Metal (PGM)

Oversized Series

Br
Solid Brass

3/8" to 1/2"
Tempered
glass



Oversized Wall-to-Glass Square Edge Clamp

CAT# GC51



Front



Back

-  Chrome Polished (CP)
-  Gold Brushed (GBR)
-  Brushed Nickel (BN)
-  Oil Rubbed Bronze (ORB)
-  Polished Gun Metal (PGM)
-  Brass (PVD)
-  Matte Black (MB)

Oversized Glass-to-Glass 180 Degree Square Edge Clamp (Full Plates)

CAT# GC51A



Front

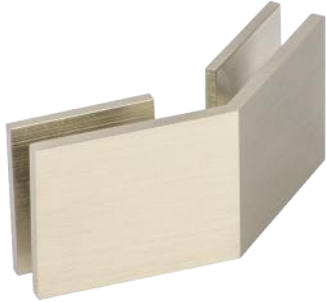


Back

-  Chrome Polished (CP)
-  Oil Rubbed Bronze (ORB)
-  Brushed Nickel (BN)

Oversized Glass-to-Glass 135 Degree Square Edge Clamp

CAT# GC51B



Front



Back

- Chrome Polished (CP)
- Oil Rubbed Bronze (ORB)
- Brushed Nickel (BN)

Oversized Glass-to-Glass Movable Square Edge Clamp

CAT# GC51AM



Front

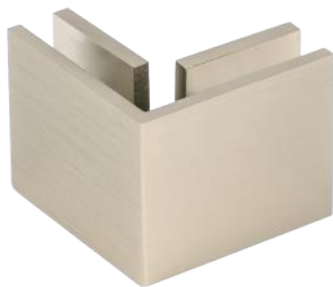


Back

- Chrome Polished (CP)
- Oil Rubbed Bronze (ORB)
- Brushed Nickel (BN)

Oversized Glass-to-Glass 90 Degree Square Edge Clamp

CAT# GC51C



Front



Back

- Chrome Polished (CP)
- Oil Rubbed Bronze (ORB)
- Brushed Nickel (BN)

Oversized Glass-to-Glass Bilboa Clamp

CAT# GC53



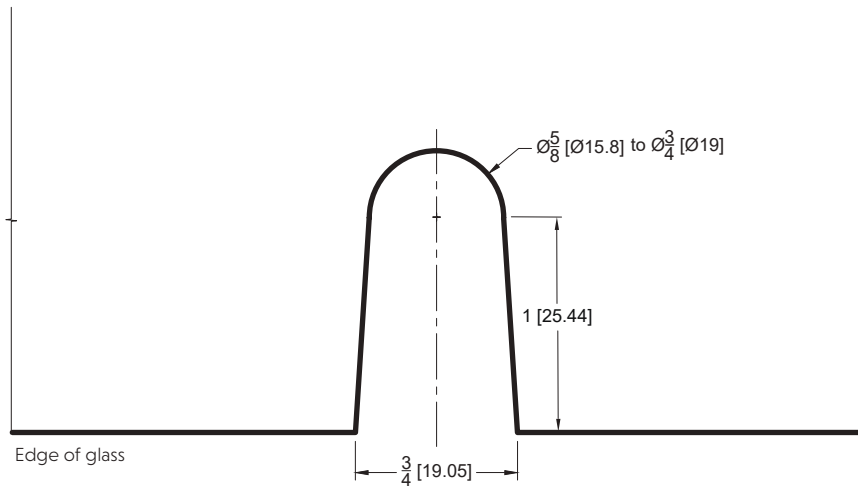
**NEW
ITEM**



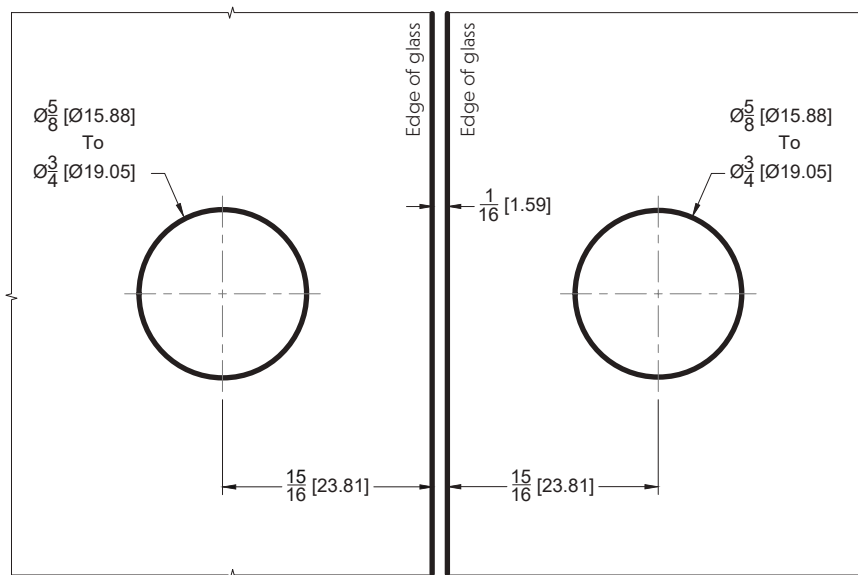
- Chrome Polished (CP)
- Matte Black (MB)
- Brushed Nickel (BN)
- Gold Brushed (GBR)

Cutouts

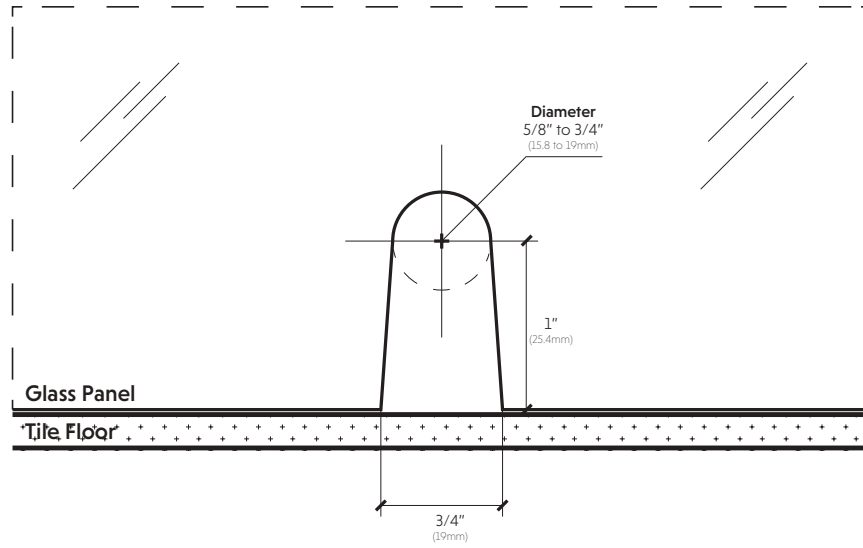
M clamp type



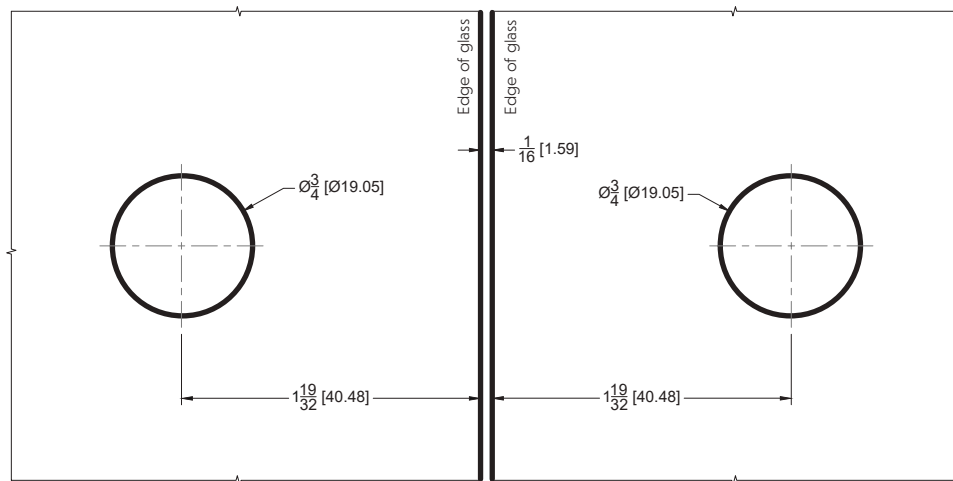
N clamp type



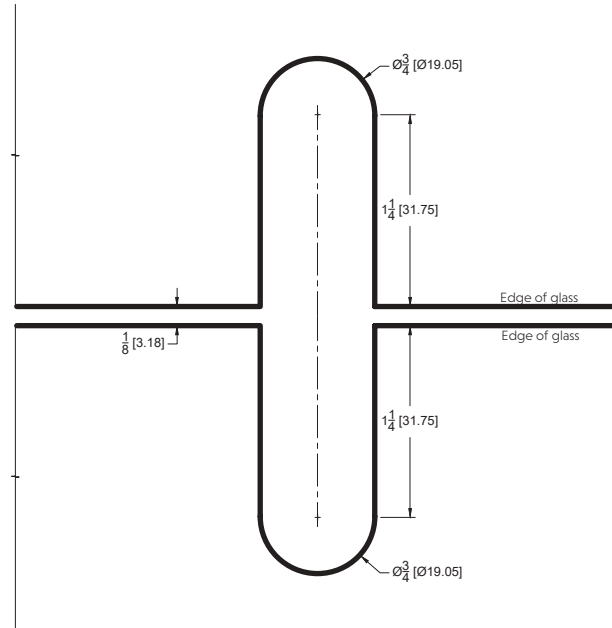
O
clamp type



P
clamp type



Q
clamp type



Sleeve Over Clamps

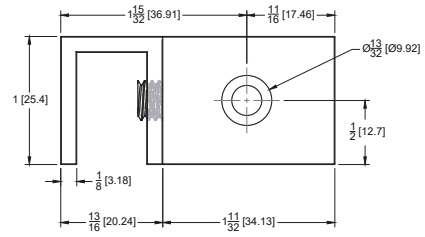
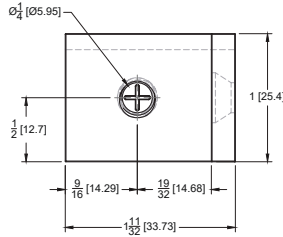
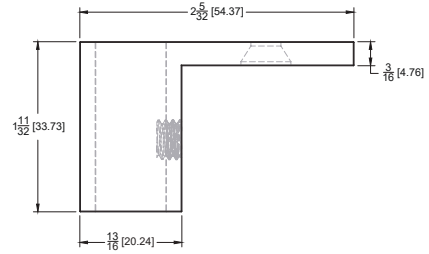
Br
Solid Brass

3/8" to 1/2"
Tempered
glass



Wall-to-Glass Sleeve Over Clamp

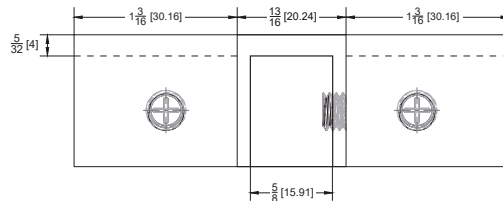
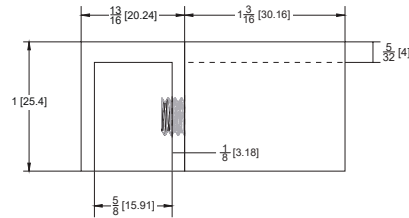
CAT# CGCWL (LEFT) | CAT# CGCWR (RIGHT)



- Chrome Polished (CP)
- Matte Black (MB)
- Gold Brushed (GBR)
- Brushed Nickel (BN)
- Polished Gun Metal (PGM)
- Oil Rubbed Bronze (ORB)

Glass-to-Glass T-Junction Sleeve Over Clamp

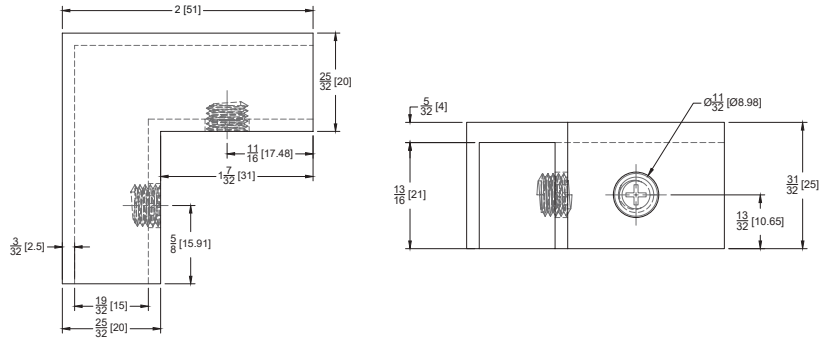
CAT# CGCT



- Chrome Polished (CP)
- Matte Black (MB)
- Brushed Nickel (BN)

Glass-to-Glass 90 Degree Sleeve Over Clamp

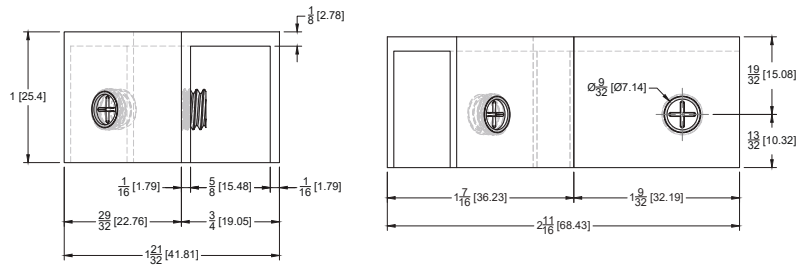
CAT# CGC90



- Chrome Polished (CP)
- Matte Black (MB)
- Gold Brushed (GBR)
- Brushed Nickel (BN)
- Polished Gun Metal (PGM)
- Oil Rubbed Bronze (ORB)
- Brass (PVD)

Glass-to-Glass 135 Degree Sleeve Over Clamp

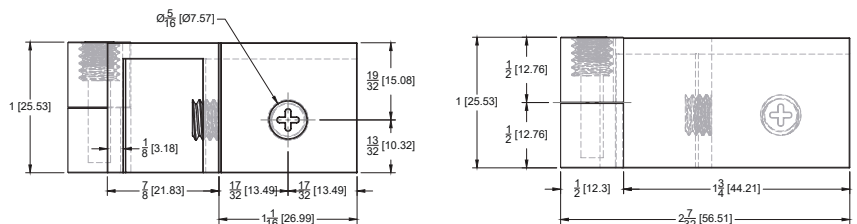
CAT# CGC135



- Chrome Polished (CP)
- Matte Black (MB)
- Brass (PVD)
- Oil Rubbed Bronze (ORB)
- Brushed Nickel (BN)

Glass-to-Glass Adjustable Sleeve Over Clamp

CAT# CGCAD



- Chrome Polished (CP)
- Matte Black (MB)
- Gold Brushed (GBR)
- Brushed Nickel (BN)
- Polished Gun Metal (PGM)
- Oil Rubbed Bronze (ORB)
- Brass (PVD)

Shower Supports



Aluminum Header

CAT# HDR (95") | CAT# HDR144 (144")

Al
Aluminum

3/8" to 1/2"
Tempered
Glass



- Chrome Polished (CP)
- Gold Brushed (GBR)
- Matte Black (MB)
- Oil Rubbed Bronze (ORB)
- Brushed Nickel (BN)
- Brass (PVD)

Adjustable Header Corner

CAT# E-225

Br
Solid Brass



Header Wall Mount Brackets

CAT# E-228

Br
Solid Brass



Header Hinge Adapter Block

CAT# E229

Br
Solid Brass

Tempered
glass

For use with H206 | H306



- Chrome Polished (CP)
- Matte Black (MB)
- Gold Brushed (GBR)
- Brushed Nickel (BN)
- Polished Gun Metal (PGM)
- Oil Rubbed Bronze (ORB)
- Brass (PVD)

Heavy Duty Header Hinge Adapter Block

CAT# E229V

Br
Solid Brass

Tempered
glass

For use with H206V | H306V



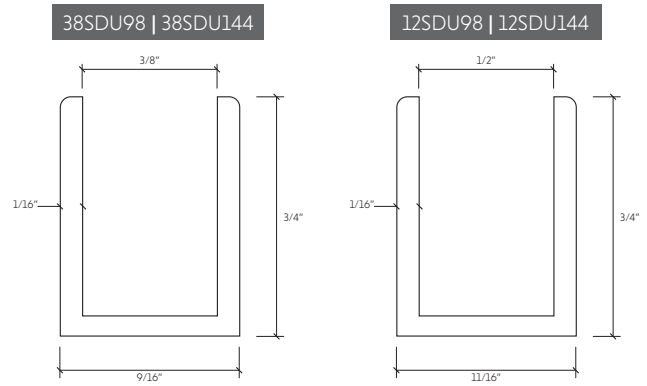
- Chrome Polished (CP)
- Matte Black (MB)
- Gold Brushed (GBR)
- Brushed Nickel (BN)

U-Channel

CAT# 38SDU98 (95") | CAT# 38SDU144 (144")
 CAT# 12SDU98 (95") | CAT# 12SDU144 (144")

Al
Aluminum

3/8" to 1/2"
Tempered
glass



- Chrome Polished (CP)
 - Matte Black (MB)
 - Gold Brushed (GBR)
 - Brushed Nickel (BN)
 - Oil Rubbed Bronze (ORB)
- Only 38SDU98

95" Half Moon Shower Door Threshold

CAT# SDT980

Al
Aluminum

Tempered
glass



- Chrome Polished (CP)
- Matte Black (MB)
- Gold Brushed (GBR)
- Brushed Nickel (BN)
- Polished Gun Metal (PGM)
- Oil Rubbed Bronze (ORB)

95" Tapered Shower Door Threshold

CAT# STL001

Al
Aluminum

Tempered
glass



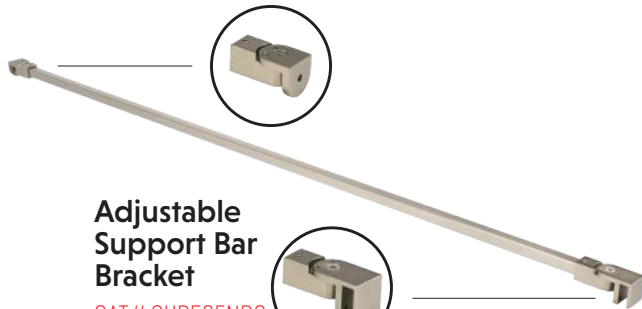
- Chrome Polished (CP)
- Brushed Nickel (BN)

46" Wall-to-Glass Square Support Bar

CAT# SUP59

304
Stainless
Steel

Tempered
glass



**Adjustable
Support Bar
Bracket**

CAT# SUP59ENDC

- Chrome Polished (CP)
- Matte Black (MB)
- Gold Brushed (GBR)
- Brushed Nickel (BN)

42" Glass-to-Glass Round Support Bar

CAT# SUP20

304
Stainless
Steel

Tempered
glass

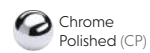


- Chrome Polished (CP)
- Matte Black (MB)
- Gold Brushed (GBR)
- Brushed Nickel (BN)



95" Flat Metal Grid

CAT# FM95



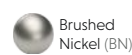
Chrome
Polished (CP)



Matte Black
(MB)



Gold Brushed
(GBR)



Brushed
Nickel (BN)



Oil Rubbed
Bronze (ORB)

Shower Shelf Clamps



Shelf Clamp

CAT# SC33 (3/8" GLASS) | CAT# SC34 (1/2" GLASS)

Br
Solid Brass

3/8" to 1/2"
Tempered
glass



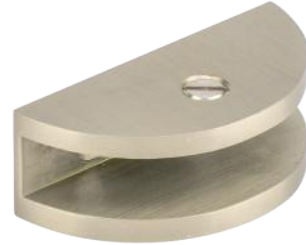
- Chrome Polished (CP)
- Oil Rubbed Bronze (ORB)
- Brushed Nickel (BN)
- Polished Gun Metal (PGM)
- Gold Brushed (GBR)
- Matte Black (MB)
- Brass (PVD)

Half Moon Shelf Clamp

CAT# SC31 (3/8" GLASS) | CAT# SC32 (1/2" GLASS)

Br
Solid Brass

3/8" to 1/2"
Tempered
glass



- Chrome Polished (CP)
- Oil Rubbed Bronze (ORB)
- Brushed Nickel (BN)
- Polished Gun Metal (PGM)
- Gold Brushed (GBR)
- Matte Black (MB)
- Brass (PVD)

Adjustable Shelf Clamp

CAT# SC104

Br
Solid Brass

1/4" to 3/4"
Tempered
glass



- Chrome Polished (CP)
- Brushed Nickel (BN)

Square Adjustable Shelf Clamp

CAT# SC105

Br
Solid Brass

1/4" to 3/4"
Tempered
glass



- Chrome Polished (CP)
- Brushed Nickel (BN)

Round Robe Hook

CAT# DRH2

Br
Solid Brass

3/8"
Tempered
glass



- Chrome Polished (CP)
- Brushed Nickel (BN)

Square Robe Hook

CAT# DRH3

Br
Solid Brass

3/8"
Tempered
glass

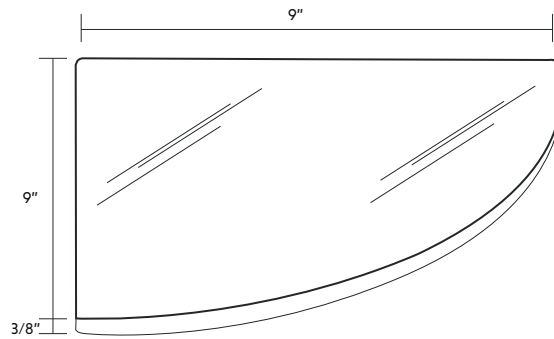


- Chrome Polished (CP)
- Brushed Nickel (BN)

9" Corner Glass Shelf

CAT# CGS-9X9

3/8"
Tempered
glass



Designer Robe Hook

CAT# DRH1

Br
Solid Brass

3/8"
Tempered
glass

⊕ 1/2" Hole required







Slip-on Door Stop

CAT# DRS1

Br
Brass

3/8"
Tempered
Glass



-  Chrome Polished (CP)
-  Matte Black (MB)
-  Gold Brushed (GBR)
-  Brushed Nickel (BN)

-  Chrome Polished (CP)
-  Brushed Nickel (BN)

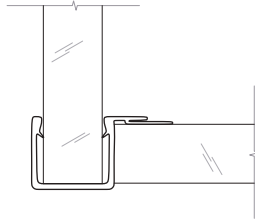
PVC Seals



86" Door Stop, 90 Degrees

CAT# PCS-07

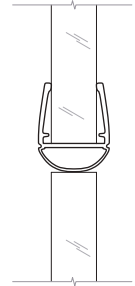
3/8"
Tempered
glass



95" Bulb Seal

CAT# PCS-T10

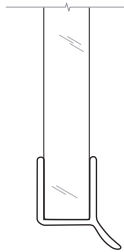
3/8"
Tempered
glass



95" Door Stop, 135 Degrees

CAT# PCS-C6

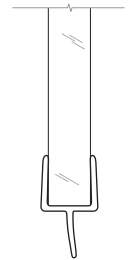
3/8"
Tempered
glass



95" Single Fin Bottom Wipe

CAT# PCS-T11

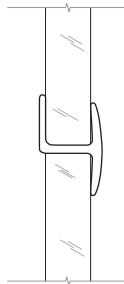
3/8"
Tempered
glass



95" Door Stop, 180 Degrees

CAT# PCS-T8B (SOFT) | CAT# PCS-C8 (RIGID)

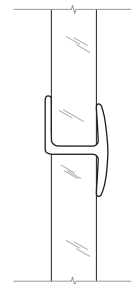
3/8"
Tempered
glass



95" Soft Door Stop, 180 Degrees

CAT# PCS-C8C

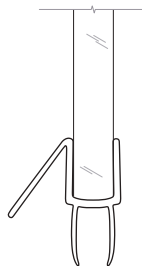
1/2"
Tempered
glass



95" Bottom Wipe Drip Rail

CAT# PCS-T9B

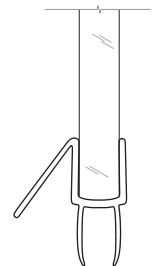
3/8"
Tempered
glass



95" Bottom Wipe Drip Rail

CAT# PCS-C9C

1/2"
Tempered
glass



95" Sliding Panel Seal, 7/8" Gap

CAT# PCS-13 (7/8"GAP) | PCS-12 (1-1/2"GAP)

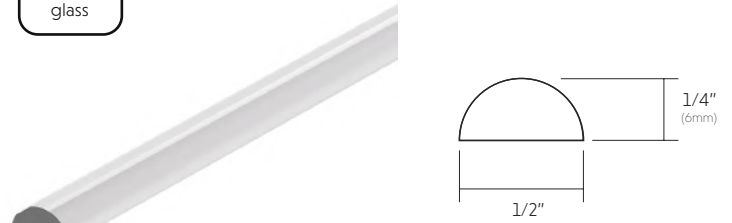
3/8"
Tempered
glass



95" Translucent Bottom Half-Round Threshold

CAT# PCS-14

1/2"
Tempered
glass

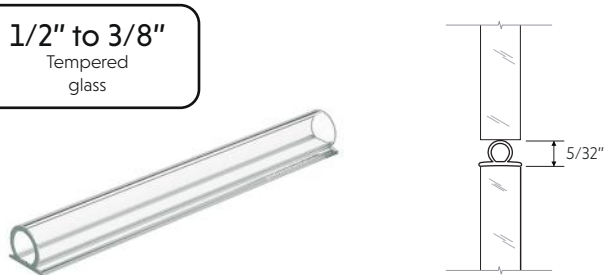


Bulb Gap Seal

CAT# SDTJ-CRL (5/32"GAP, 95")

CAT# SDTDF-CRL (5/16"GAP, 98")

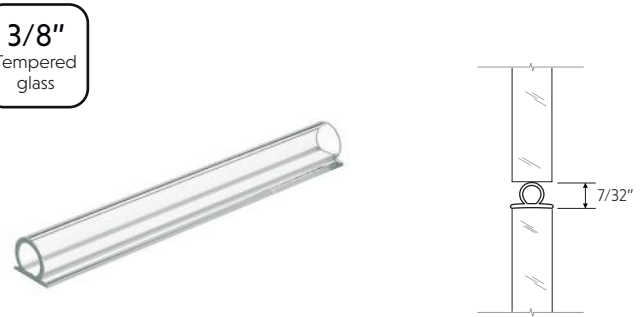
1/2" to 3/8"
Tempered
glass



95" Bulb Gap Seal, 7/32" Gap

CAT# SDTB-CRL

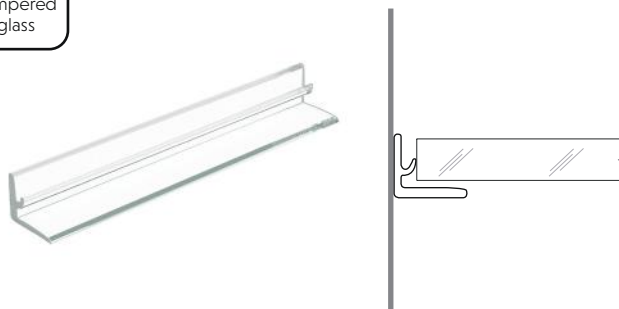
3/8"
Tempered
glass



95" Sliding "L" Seal

CAT# DKL98L

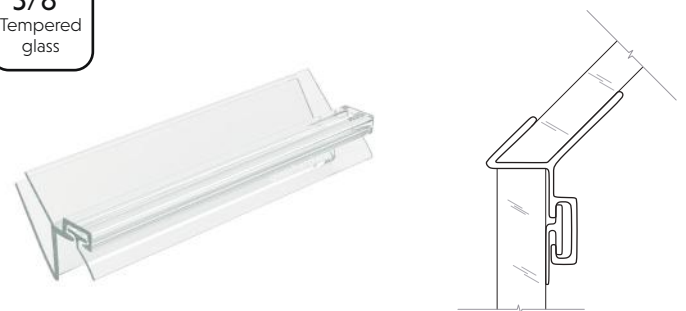
3/8"
Tempered
glass



Glass to Glass Jamb for Mitered Fixed Panel

CAT# P135SJ-CRL

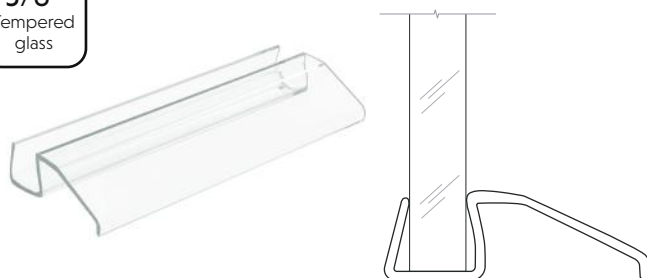
3/8"
Tempered
glass



95" Bottom Wipe with Drip Rail

CAT# HYD95 (FOR MSD180 SLIDING SYSTEM)

3/8"
Tempered
glass



8' Clear Header Vinyl

CAT# HV-380

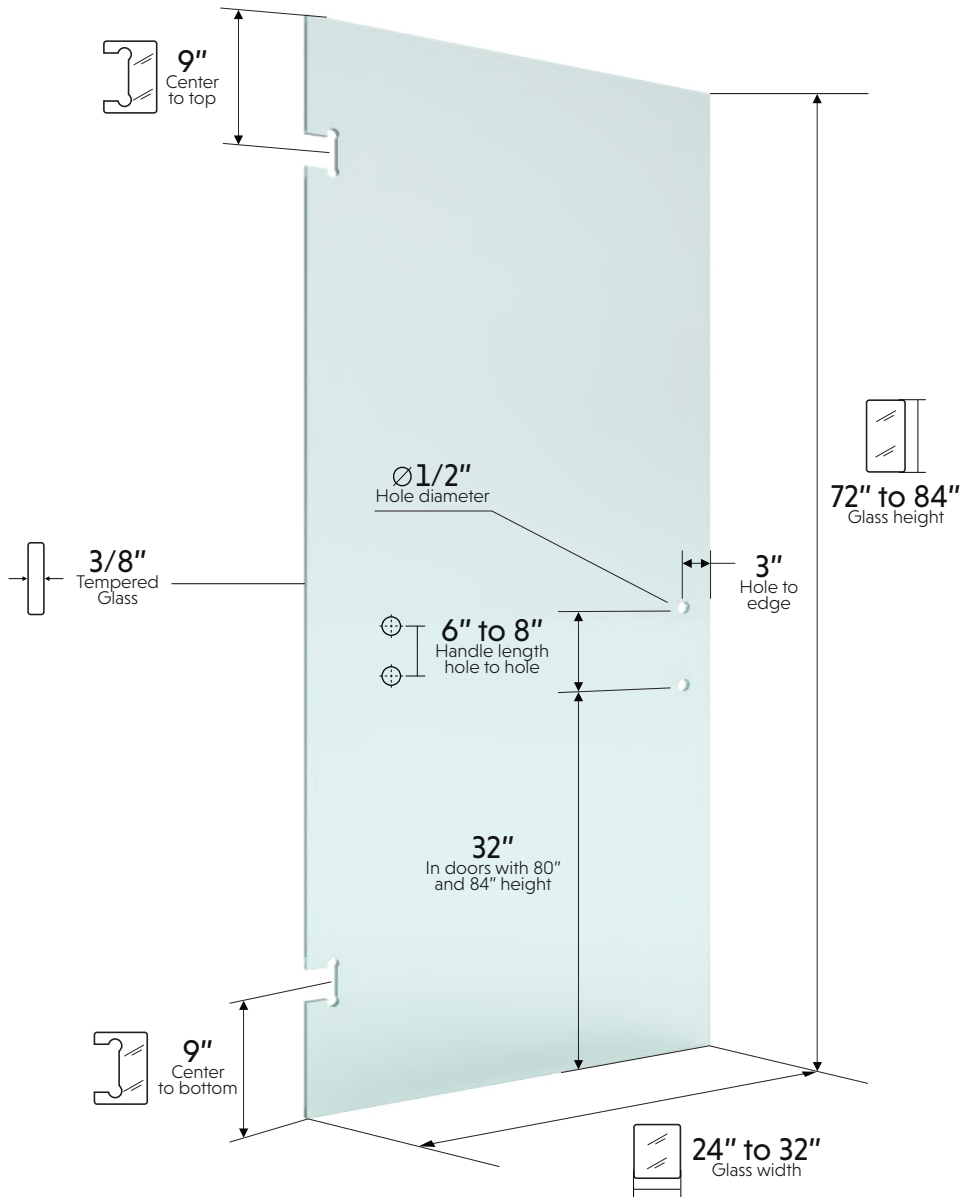
1/2" to 3/8"
Tempered
glass



Standard Shower Doors

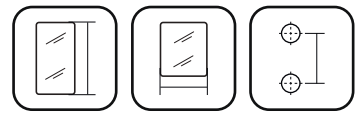
3/8"
Tempered
glass


TEMPERED GLASS
16 CFR 1201.11
ANSI Z97.1-2015
3/8 UA S60C7577



Scan to conveniently place your order





HEIGHT **WIDTH** **HANDLE**

CAT# 38SD2472	71-5/8"	24"	6"
CAT# 38SD2476	75-5/8"	24"	6"
CAT# 38SD2478	77-5/8"	24"	6"
CAT# 38SD2480	79-5/8"	24"	8"
CAT# 38SD2672	71-5/8"	26"	6"
CAT# 38SD2676	75-5/8"	26"	6"
CAT# 38SD2678	77-5/8"	26"	6"
CAT# 38SD2680	79-5/8"	26"	8"
CAT# 38SD2684	83-5/8"	26"	8"
CAT# 38SD2872	71-5/8"	28"	6"
CAT# 38SD2876	75-5/8"	28"	6"
CAT# 38SD2878	77-5/8"	28"	6"
CAT# 38SD2880	79-5/8"	28"	8"
CAT# 38SD3080	79-5/8"	30"	8"
CAT# 38SD3280	79-5/8"	32"	8"
CAT# 38SD2884	83-5/8"	28"	8"



Sliding Systems



Twin System	84
Frameless Bypass System	86
IGT Roller System	88
SQ Roller System	92
Aventura Sliding Door	98
Modern Sliding Door System	104
IGT Barn Door Hardware	108
Semi-Automatic Barn Door	114

Twin System



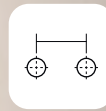
Buy with glass:



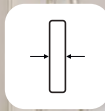
HEIGHT



WIDTH



HANDLE



GLASS

CAT# TWIN60X66

66"

57 - 60"

24"

3/8"

CAT# TWIN60X78

78"

57 - 60"

24"

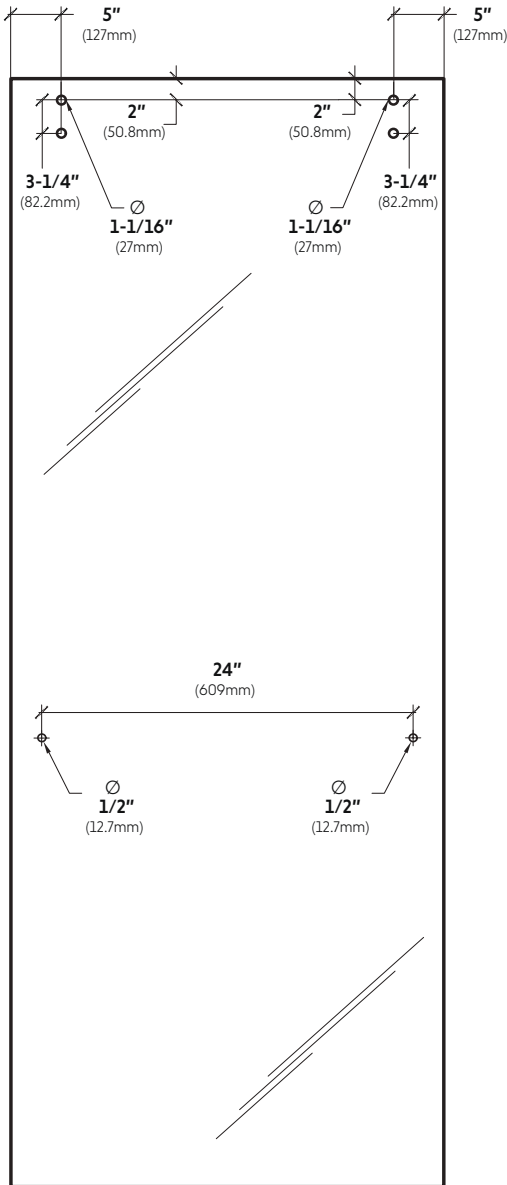
3/8"

CAT# TWIN72

Glass sold separately

316L Stainless Steel	3/8" Tempered glass	32", 90 lb Max. glass width and weight
--------------------------------	-------------------------------	--

Glass cutout



System includes:

24" Single-Sided Square Towel Bar 2 pieces
CAT# SQBPT024



Roller 8 pieces
CAT# TW918B



Floor Guide 1 piece



Upper Track 2 pieces
CAT# TW912A72
Required



Bottom Half Round Threshold 1 piece
CAT# SDT980



Polished Stainless (PS)	Matte Black (MB)	Gold Brushed (GBR)
Brushed Stainless (BS)	Polished Gun Metal (PGM)	

90° Fitting 1 piece
CAT# TW90 *OPTIONAL



Wall Bracket 4 pieces



Stopper 4 pieces



Frameless Bypass System



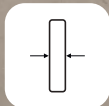
Buy with glass:



HEIGHT



WIDTH



GLASS

CAT# SQBPH62X64

64"

62"

3/8"

CAT# SQBPH62X72

72"

62"

3/8"

CAT# SQBPH62X76

76"

62"

3/8"

CAT# SQBPH72X80

80"

72"

3/8"

*(HARDWARE ONLY)

CAT# SQBPH

Glass sold separately

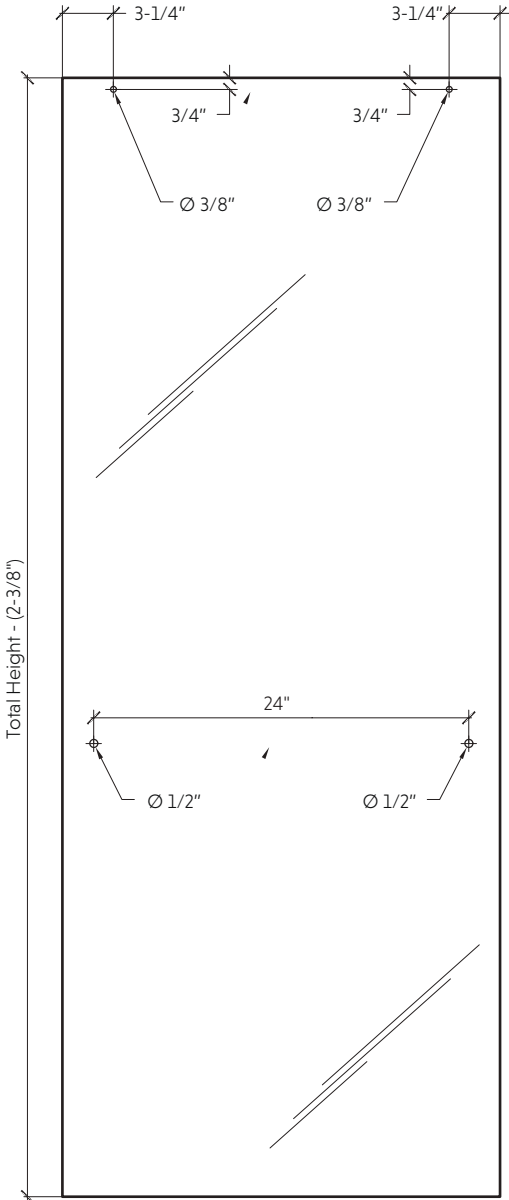


Al
Aluminum

3/8"
Tempered
glass

Glass cutout

Jambs: Cut 1-1/4" higher than the total height of the glass



- Chrome Polished (CP)
- Matte Black (MB)
- Brushed Nickel (BN)
- Oil Rubbed Bronze (ORB)

System includes:

Header

1 piece



Side Jambs

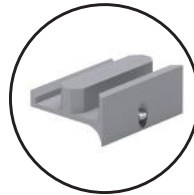
2 pieces

CAT# BPJ80



Bypass Floor Guide

1 piece



Bypass Bottom Track

1 piece

CAT# BPBT72



Bypass Installation Kit

4 pieces

CAT# BPSIK



Bypass Rollers

4 pieces

CAT# BPRK

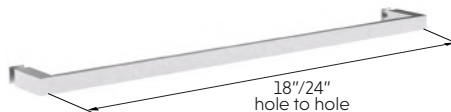


Single-Sided Bypass Towel Bar

(ROUND) CAT# BPT018 | CAT# BPT024

(SQUARE) CAT# SQBPT018 | CAT# SQBPT024

Not included



HEIGHT	WIDTH	HANDLE
64"	57" to 61"	24"
72"	46-1/2" to 50"	18"
72"	57" to 61"	24"
76"	57" to 61"	24"

IGT Roller System



CAT# 381GT

Glass sold separately

316L
Stainless
Steel

32", 110 lb
Max. glass width
and weight

3/8" to 1/2"
Tempered
glass

- Polished Stainless (PS)
- Matte Black (MB)
- Gold Brushed (GBR)
- Brushed Stainless (BS)
- Polished Gun Metal (PGM)
- Oil Rubbed Bronze (ORB)

System includes:

Roller

CAT# TD700

4 pieces



Door stop

CAT# TD20B

2 pieces



Glass-to-Track Connector

CAT# TD17B

2 pieces



Wall-to-Track Connector

CAT# TD19B | CAT# TD19B1 (WITHOUT SCREW BASE)

2 pieces



Adjustable Floor Guide

CAT# TD10A2

1 piece



90° Installation Kit

CAT# 381GT90K

2 pieces

Optional



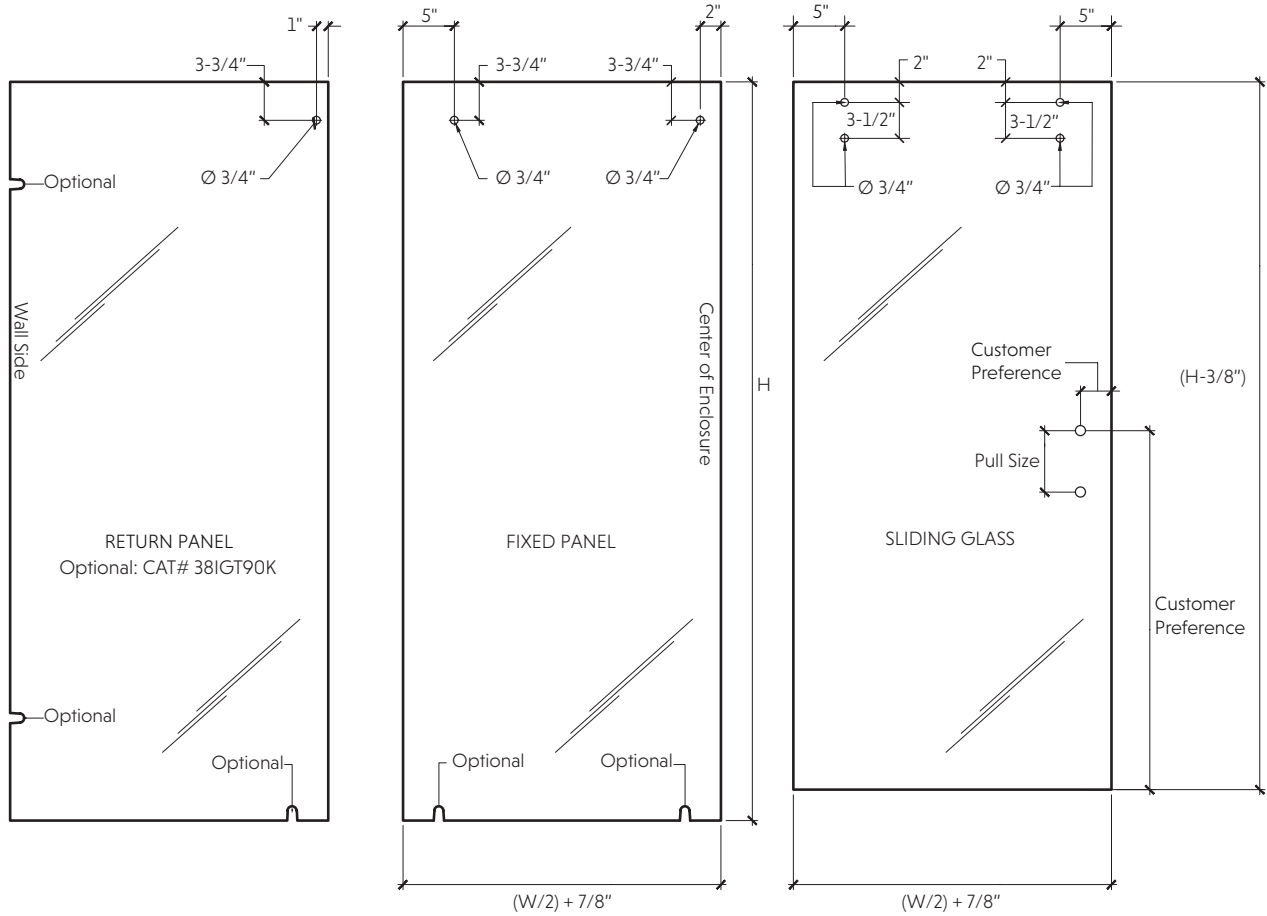
Upper Track

CAT# TD12A59 (59") | CAT# TD12A78 (78")
CAT# 83-A-8A-118 (118") | CAT# 83-A-8A-144 (144")

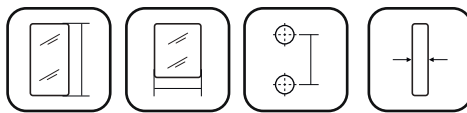
Required



Glass cutout



Buy with glass:



HEIGHT WIDTH HANDLE GLASS

CAT# 38IGT-78KIT 78" 57 - 60" 8" 3/8" - 1/2"



SQ Roller System



This system can be installed in
two different configurations

SQ2 CONFIGURATION

(2 rollers + 2 door anti-lifts)

CAT# SQ2SD

316L
Stainless
Steel

32", 90 lb
Max. glass width
and weight

3/8" to 1/2"
Tempered
glass

 Polished Stainless (PS)	 Matte Black (MB)	 Gold Brushed (GBR)
 Brushed Stainless (BS)	 Polished Gun Metal (PGM)	 Oil Rubbed Bronze (ORB)

System includes:

Glass-to-Track Connector 2 pieces
CAT# TD955B-2



Door Anti-lift 2 pieces
CAT# TD959-A



Wall Mount Connector 2 pieces
CAT# TD954B-2



Door Stopper 2 pieces
CAT# TD920B4-2-L
CAT# TD920B4-2-R



Adjustable Floor Guide 1 piece
CAT# TD10A2



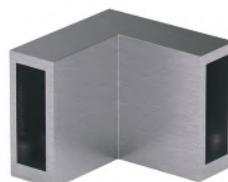
Roller 2 pieces
CAT# TD918B-2-2
SQ2 configuration



Upper Track 1 piece
CAT# TD912A-2-78 (78")
Required



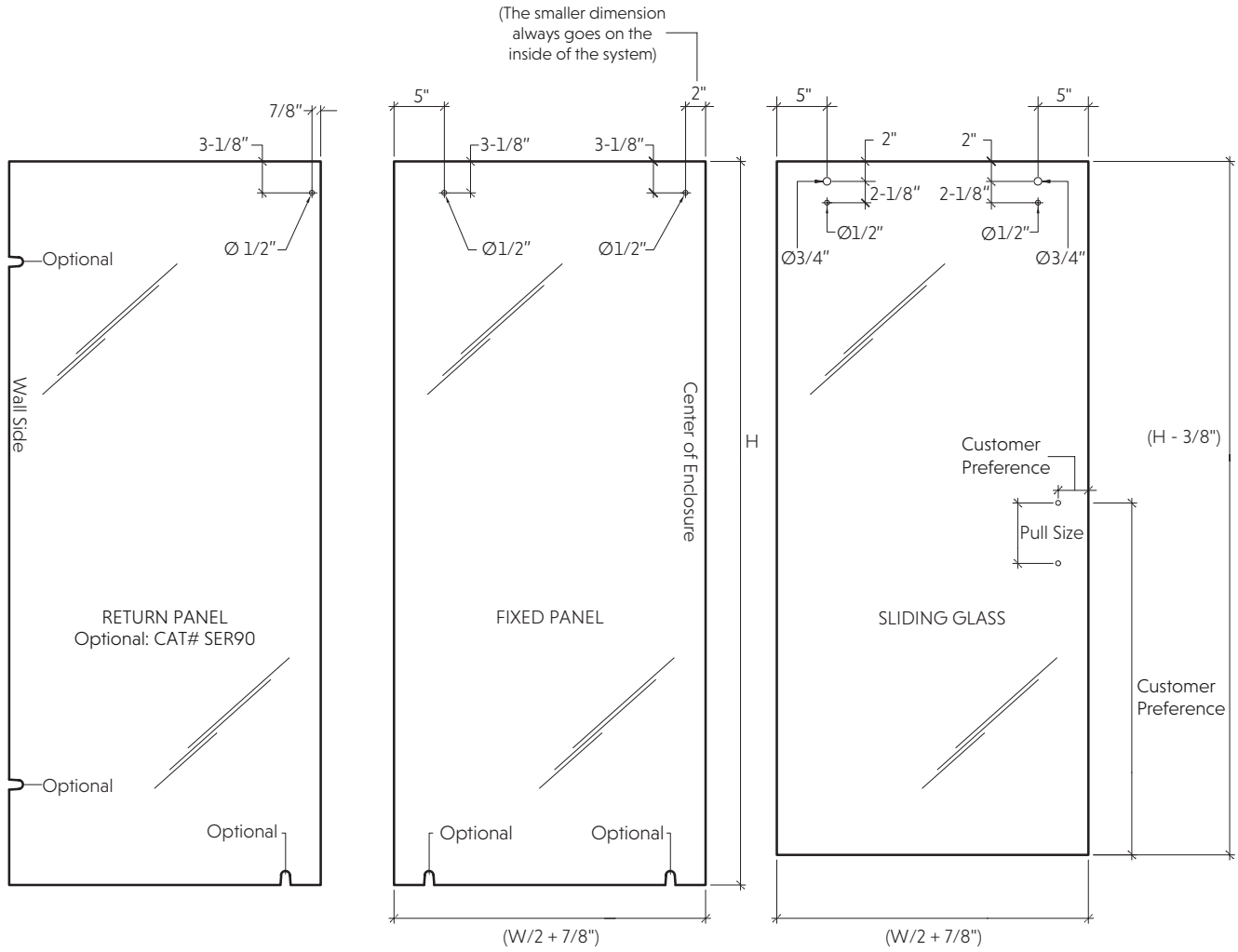
90° Upper Track Connector Optional
CAT# SERC2



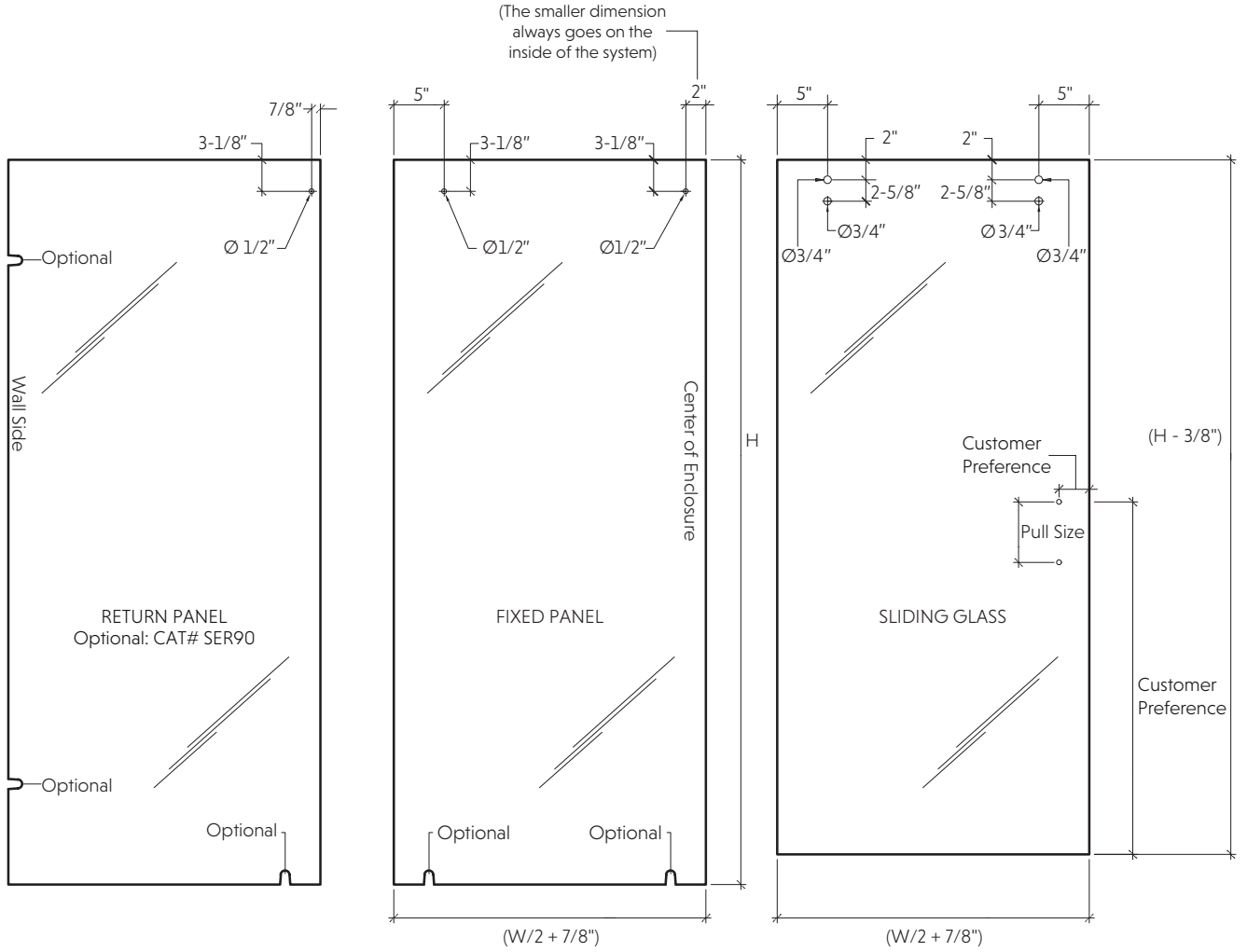
90° Glass-to-Glass Kit Optional
CAT# SER90



SQ2 configuration glass cutout



SQ4 configuration glass cutout



Roller

CAT# TD918B-2-2

+2 pieces

SQ4 configuration







SQ4 CONFIGURATION




(4 rollers)

Aventura Sliding Door



CAT# AVS423

Al Aluminum	54", 220 lb Max. glass width and weight
3/8" to 1/2" Tempered glass	

 Chrome Polished (CP)	 Matte Black (MB)
 Brushed Nickel (BN)	

System includes:

118" Upper Track

CAT# AVSG09A

1 piece



Rollers

CAT# AVS423-4B

2 pieces



Adjustable Floor Guide

CAT# TD10A2

1 piece



Decorative Cover

CAT# AVSG09B (118")

1 piece



End Cap

CAT# AVSCAP



Glass Fixing Channel Adapter

CAT# AVSGD09D

Optional



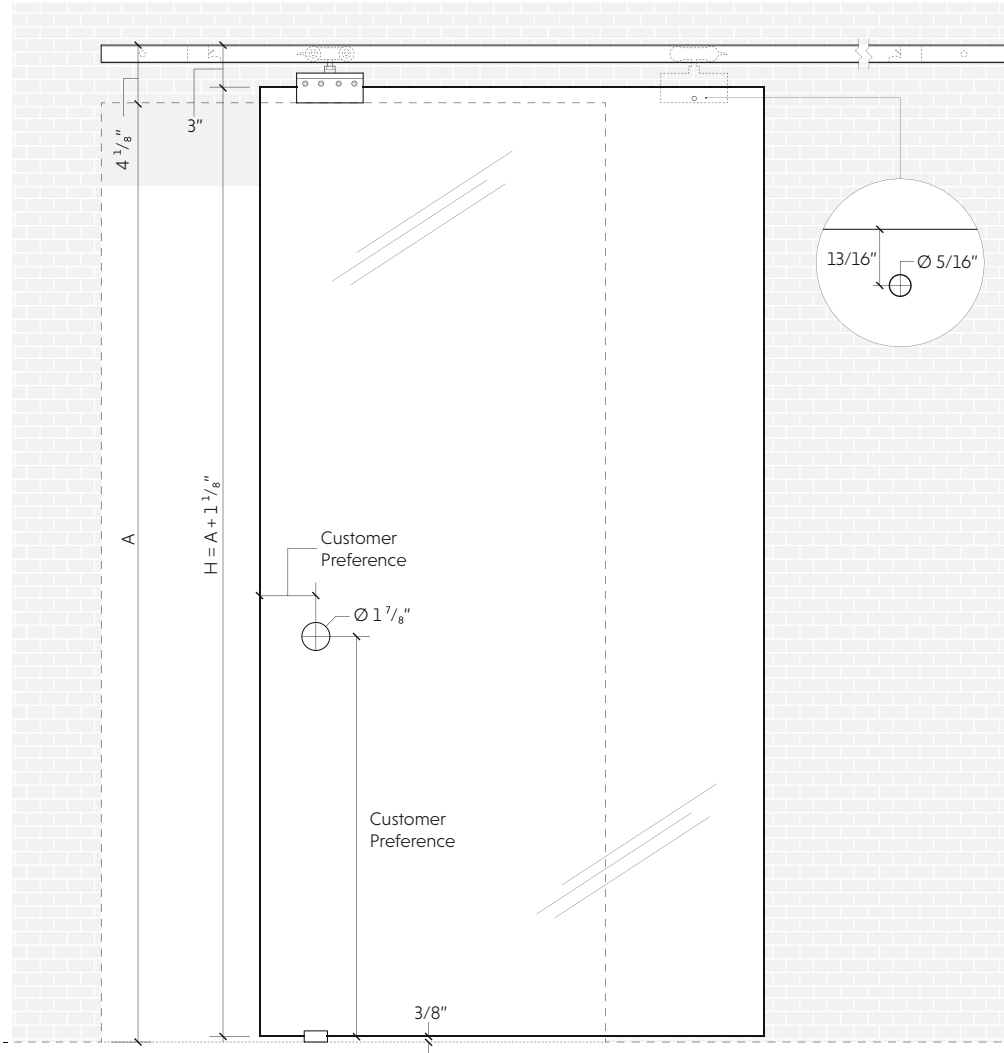
Finger Pull

CAT# TDL55

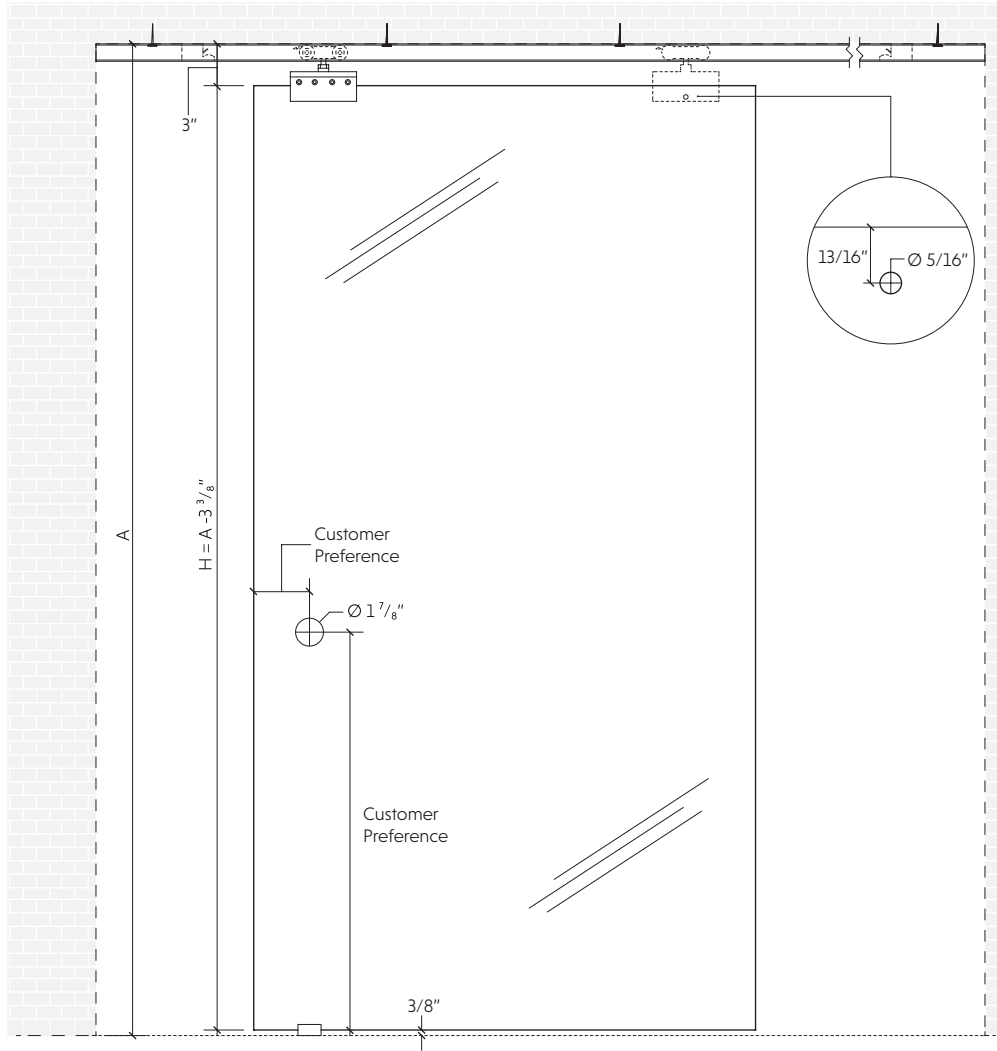
Optional



Wall installation glass cutout



Top door frame installation glass cutout



Top door frame installation glass cutout



Wall installation glass cutout



Modern Sliding Door System




CAT# MSD180


316L
Stainless
Steel

32", 90 lb
Max. glass width
and weight


3/8" to 1/2"
Tempered
glass



Chrome
Polished (CP)



Matte Black
(MB)



Brushed
Nickel (BN)

System includes:

Roller

2 pieces

CAT# C20



**Glass-to-Track
Connector**

2 pieces

CAT# TT9204



**Wall Mount
Connector**

2 pieces



Door Stopper

2 pieces

CAT# TT01



Floor Guide

1 piece

CAT# HYD08



Upper Track

1 piece

CAT# TT9210

Required



**90° Wall Mount
Clamp**

CAT# TT9203

Optional



**90° Return Panel
Connector**

CAT# TT9202

Optional



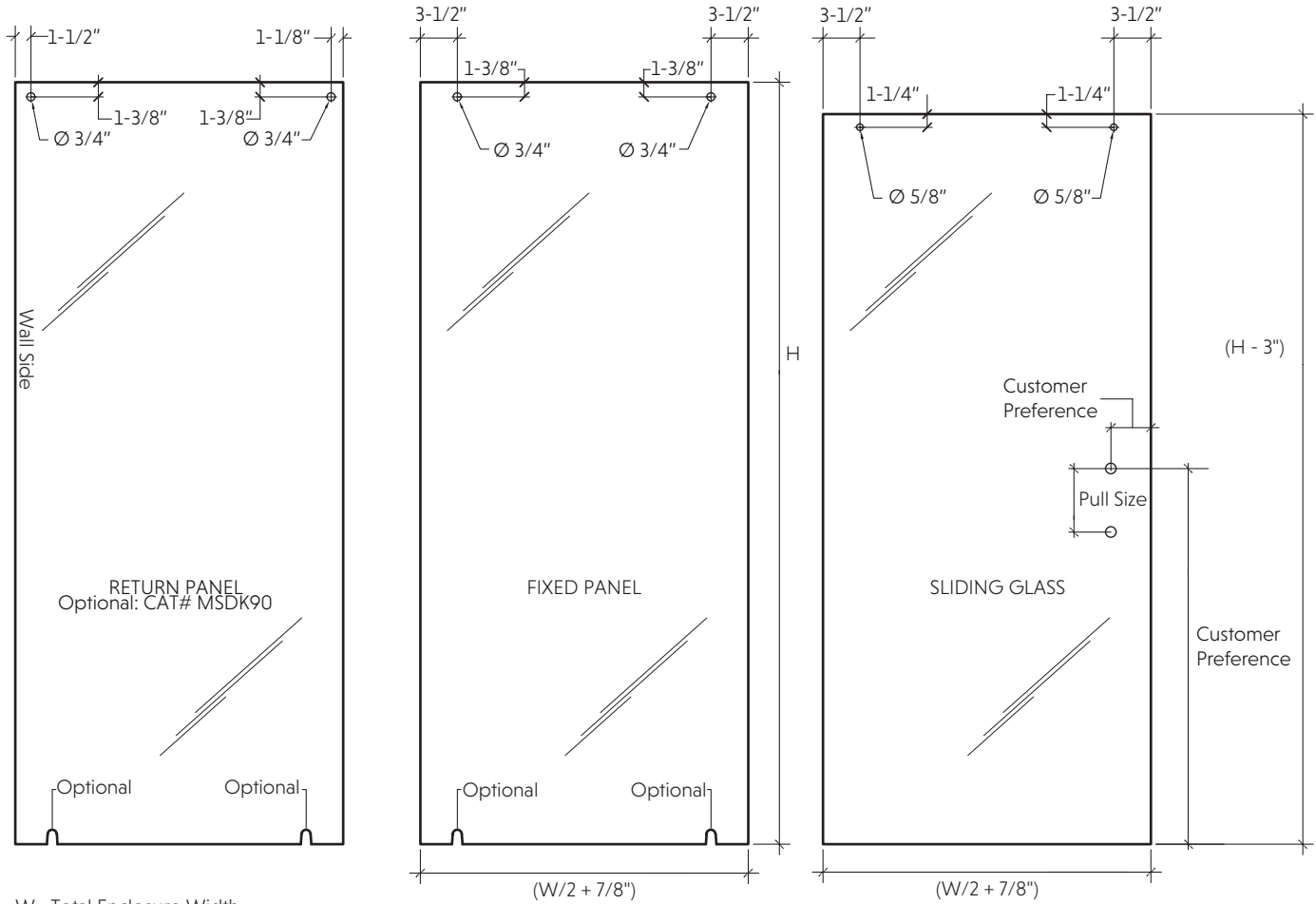
**90° Door Stop
PVC Seal**

CAT# HYD95

Optional

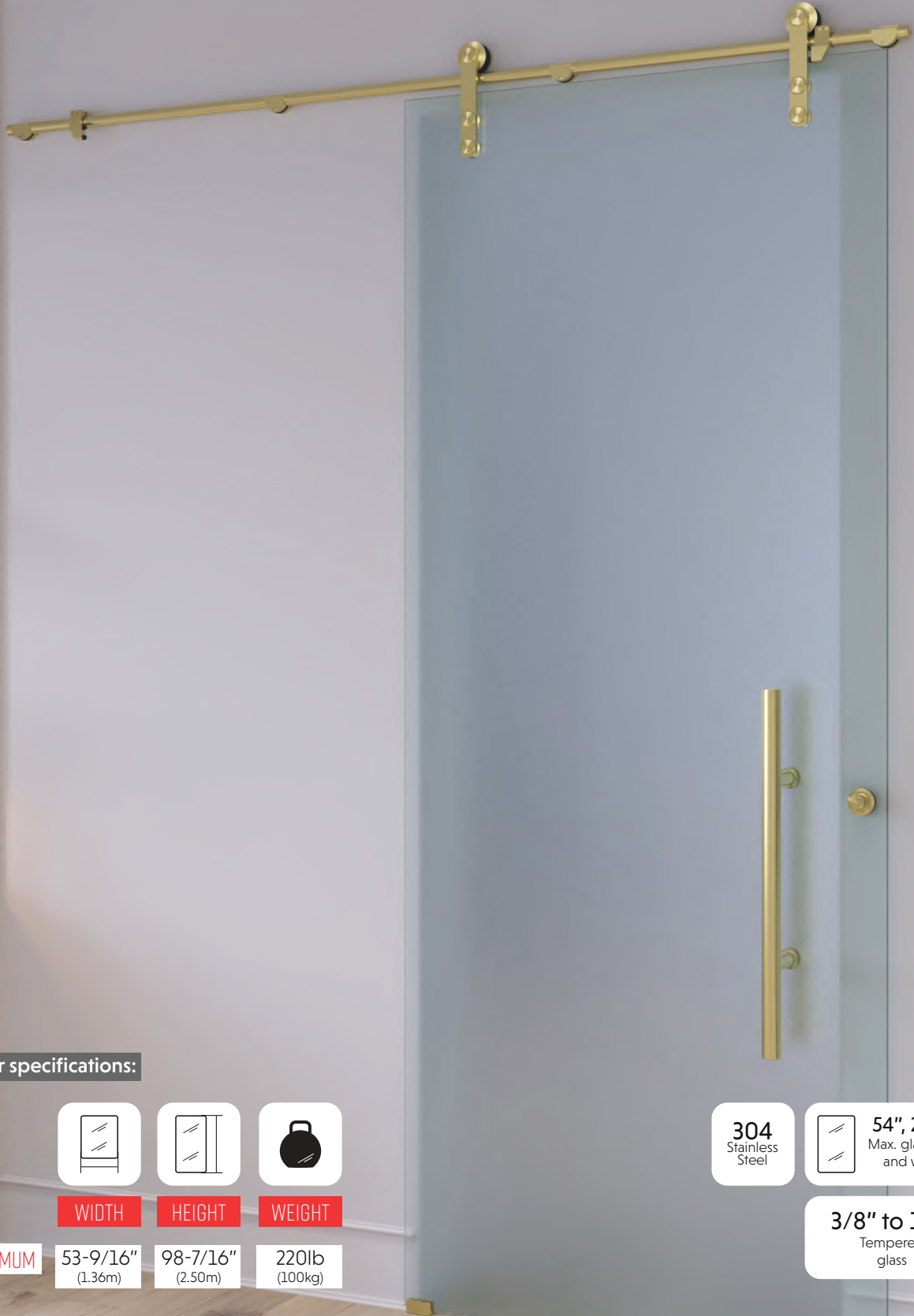


Glass cutout





IGT Barn Door Hardware



Door specifications:



WIDTH

HEIGHT

WEIGHT

MAXIMUM

53-9/16"
(1.36m)

98-7/16"
(2.50m)

220lb
(100kg)

304
Stainless
Steel



54", 220 lb
Max. glass width
and weight

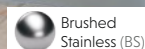
3/8" to 1/2"
Tempered
glass



Polished
Stainless (PS)



Matte Black
(MB)



Brushed
Stainless (BS)



Gold Brushed
(GBR)

Laminated glass cannot be used in this system

CAT# IGTBDH

System includes:

Roller

CAT# 83-A-1C

2 pieces



Door Stopper

CAT# 83-A-4L (LEFT)
CAT# 83-A-4R (RIGHT)

2 pieces



Adjustable Floor Guide

CAT# TD10A2

1 piece



Upper Track End Cap

CAT# 83-A-8

2 pieces



Upper Track

CAT# TD12A59 (59") | CAT# TD12A78 (78")
CAT# 83-A-8A-118 (118") | CAT# 83-A-8A-144 (144")

Required



Upper Track Brackets

83-A-2 (WALL MOUNT BRACKET)
83-A-3 (GLASS TO GLASS BRACKET)

Required



Ceiling Mount Bracket

CAT# TD06A-2

Optional



Wall-to-Track Connector

CAT# TD19B
CAT# TD19B1 (WITHOUT SCREW BASE)

Optional



Door Lock

CAT# GDL86A-8GG (GLASS TO GLASS)
CAT# GDL86A-8WG (WALL TO GLASS)

Optional



Roller Straight Cap

CAT# 83-A-1CAP1

Optional



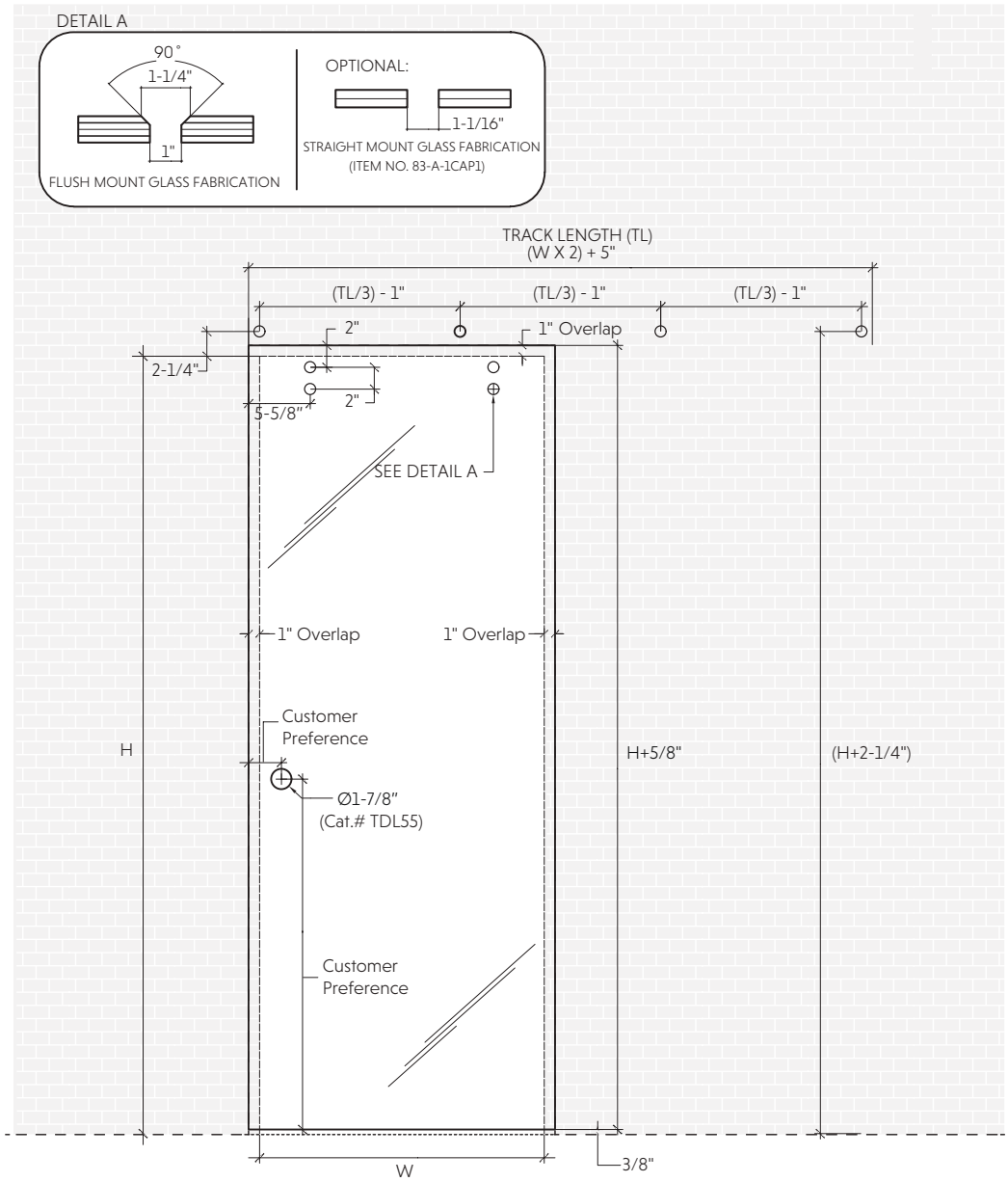
Finger Pull

CAT# TDL55

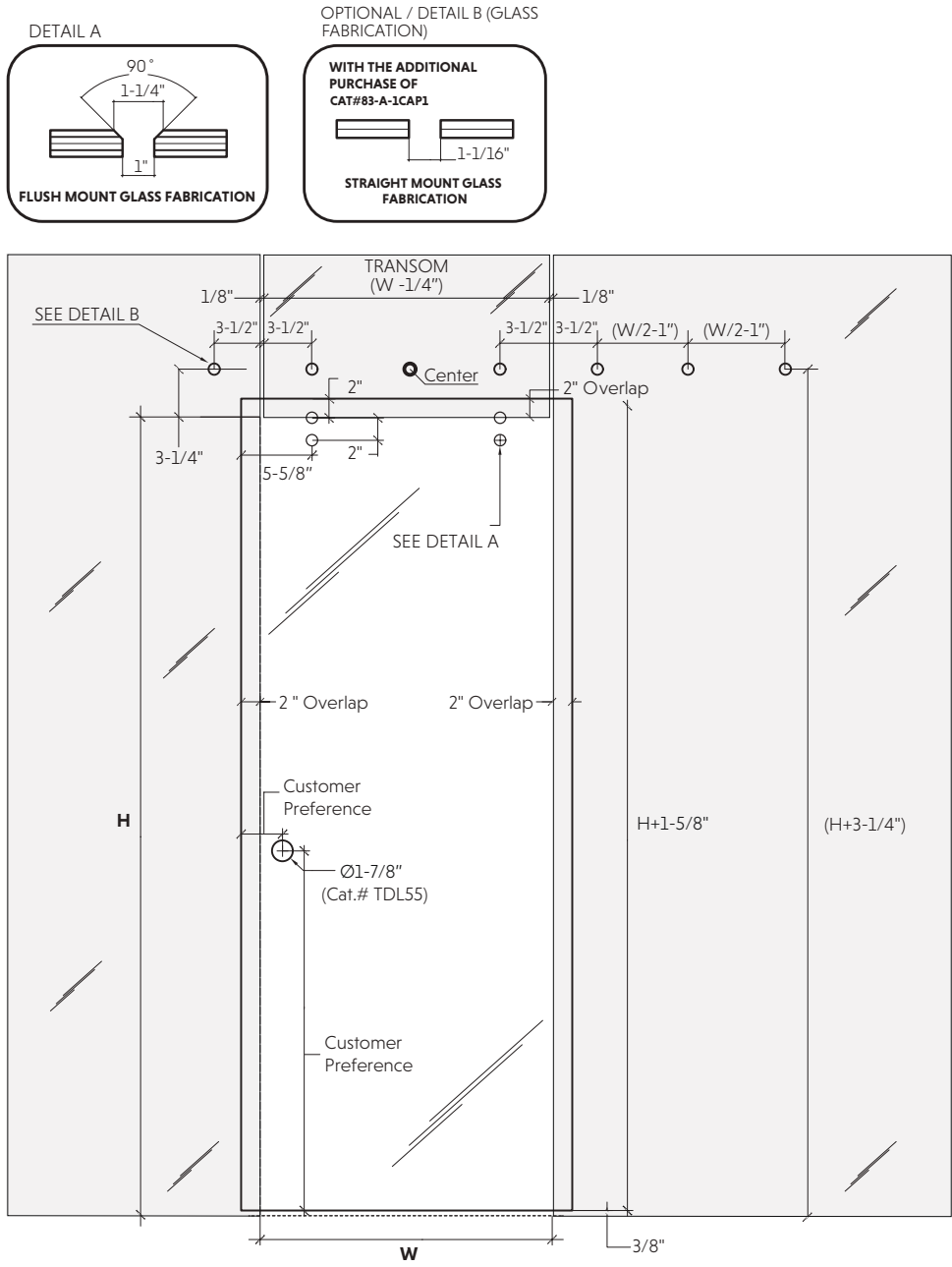
Optional



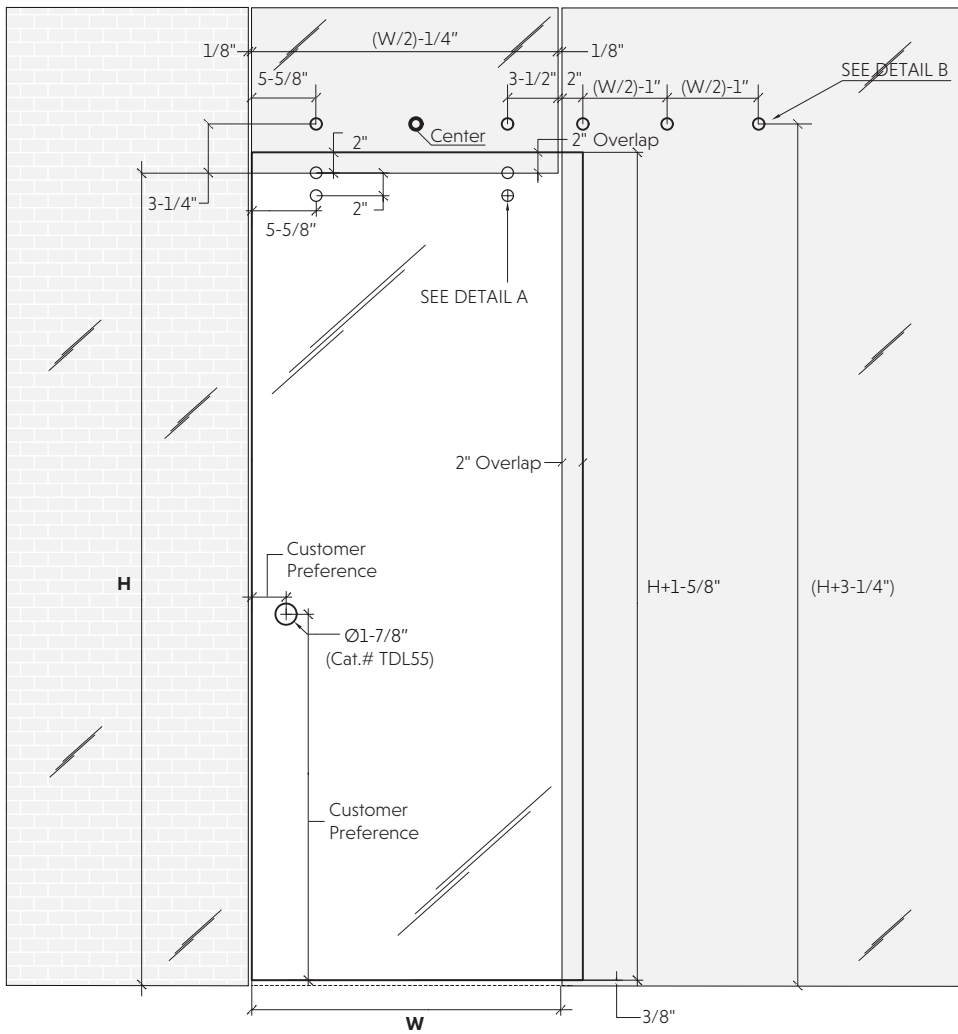
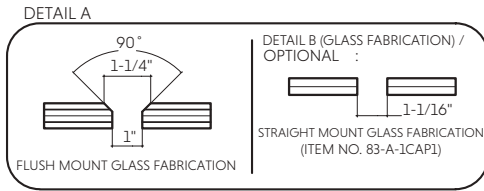
Wall installation glass cutout



Glass installation cutout



Wall and glass installation cutout





Semi-Automatic Barn Door Hardware



CAT# IGTSABD

304
Stainless
Steel

54", 220 lb
Max. glass width
and weight

3/8" to 1/2"
Tempered
glass



System includes:

Roller

CAT#SR21C

4 pieces



16.4' Steel Wire

CAT# SR5M

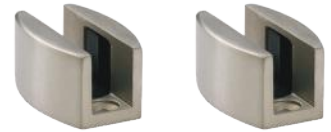
1 piece



**Adjustable
Floor Guide**

CAT# TD10A2

2 pieces



**Upper Track
End Cap**

CAT# 83-A-8

2 pieces



**Connector with
Pulley**

CAT# SR22C

2 pieces



Door Stopper

CAT# SR24C

4 pieces



Upper Track

CAT# TD12A59 (59") | CAT# TD12A78 (78")
CAT# 83-A-8A-118 (118") | CAT# 83-A-8A-144 (144")

Required

316L
Stainless
Steel



Upper Track Brackets

83-A-2 (WALL MOUNT BRACKET)
83-A-3 (GLASS TO GLASS BRACKET)

Required



Ceiling Mount Bracket

CAT# TD06A-2

Optional



Wall-to-Track Connector

CAT# TD19B

CAT# TD19B1 (WITHOUT SCREW BASE)

Optional



Roller Straight Cap

CAT# 83-A-1CAP1

Optional



Door Lock

CAT# GDL86A-8GG (GLASS TO GLASS)

CAT# GDL86A-8WG (WALL TO GLASS)

Optional



Finger Pull

CAT# TDL55

Optional



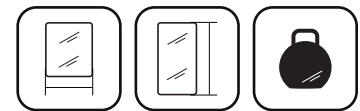
IGT Wrench

CAT# IGT-WRT

Optional



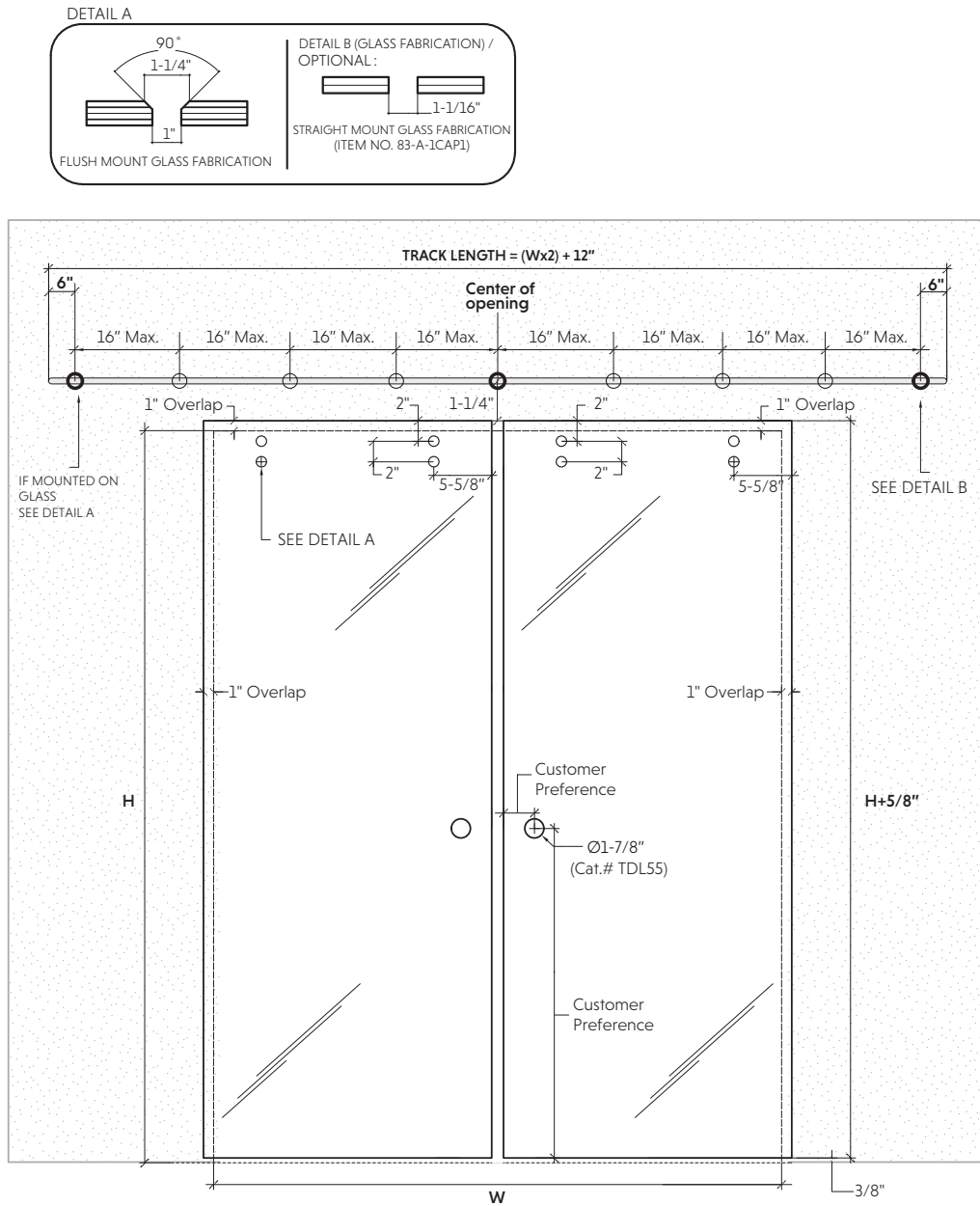
Door specifications:



	WIDTH	HEIGHT	WEIGHT
MAXIMUM	53-9/16" (1.36m)	98-7/16" (2.50m)	220lb (100kg)

Laminated glass cannot be used in this system

Wall and glass installation cutout









Architectural Hardware



Commercial Pull Handles	122
Door Locks	129
Transom and Bracket Fittings	134
Door Patch Fittings	143
Glass and Mirror Standoffs	150
Heavy Glass "U" Channels	152
Concealed Closers and Headers	155

Commercial Pull Handles



304
Stainless
Steel

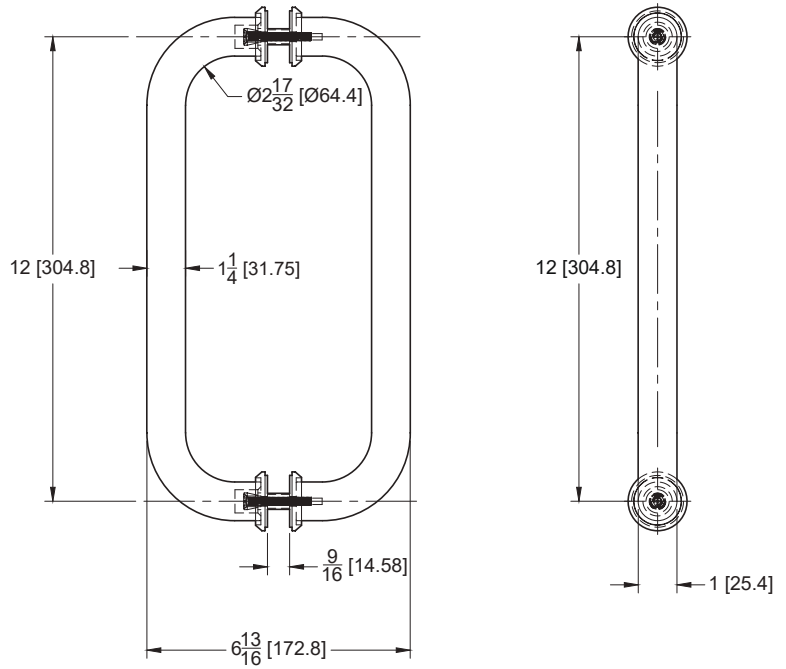
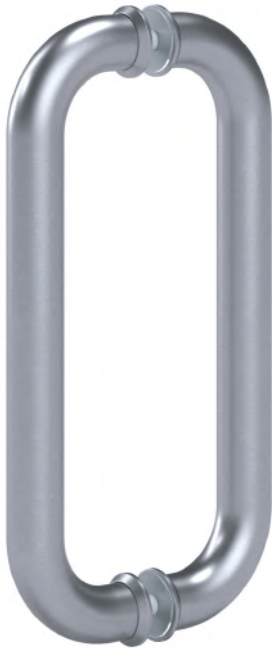
3/8" to 1/2"
Tempered
glass



12" Back-to-Back Round Pull Handle

CAT# PH12X12

1/2" Hole required

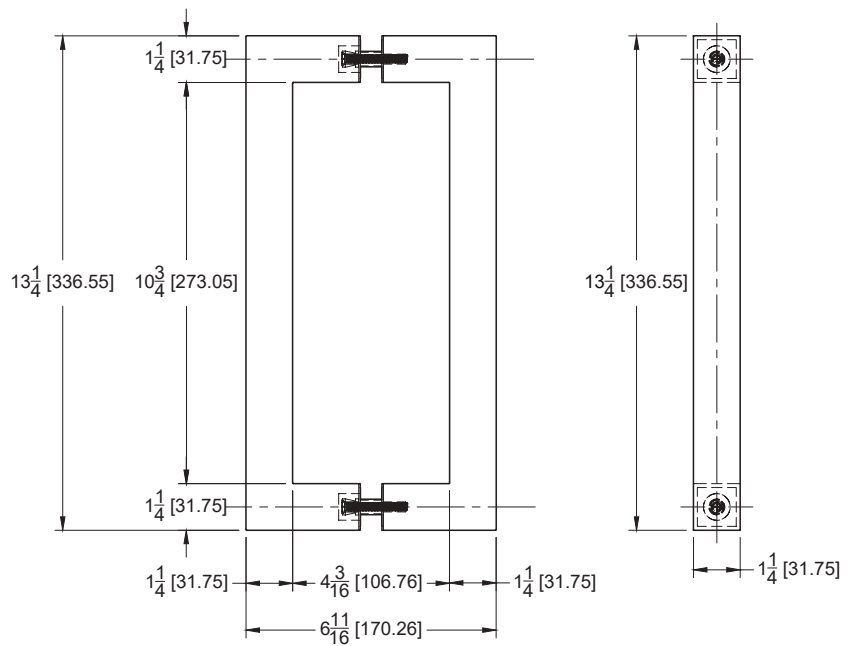
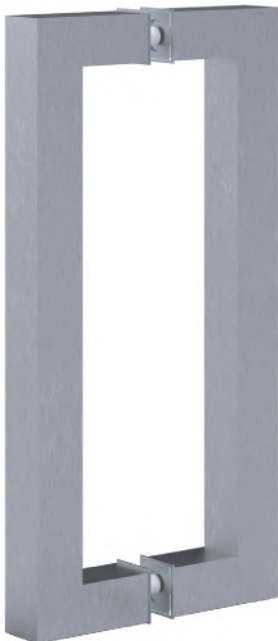


- Matte Black (MB)
- Gold Brushed (GBR)
- Brushed Stainless (BS)
- Polished Stainless (PS)

12" Back-to-Back Square Pull Handle

CAT# SQ12X12

1/2" Hole required

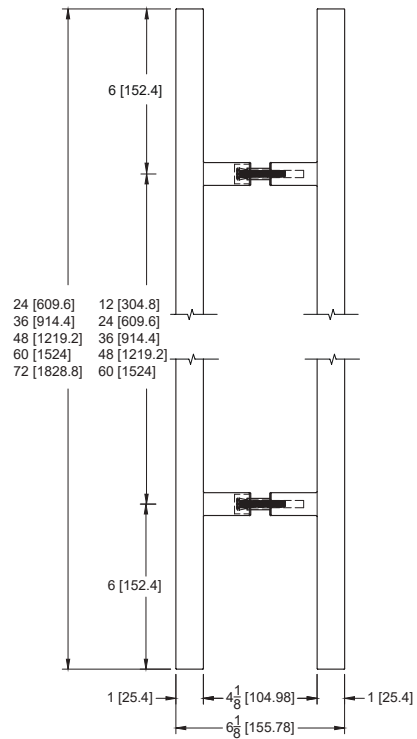






- Matte Black (MB)
- Gold Brushed (GBR)
- Brushed Stainless (BS)
- Polished Stainless (PS)

Square Commercial Ladder Handle

CAT# SQLH12X24 | CAT# SQLH24X36 | CAT# SQLH36X48
 CAT# SQLH48X60 | CAT# SQLH60X72

1/2" Holes required

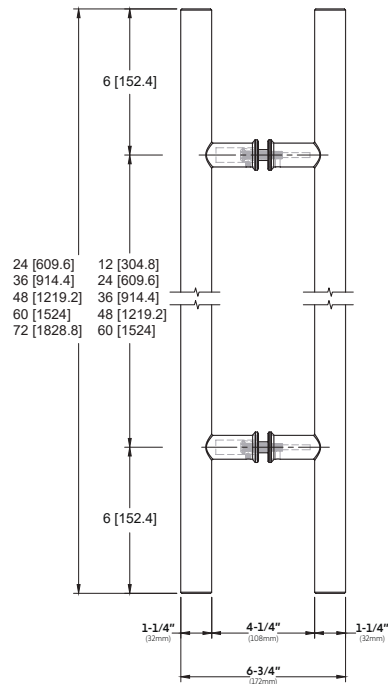
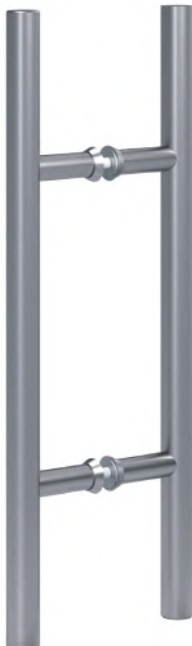






-  Matte Black (MB)
-  Gold Brushed (GBR)
-  Brushed Stainless (BS)
-  Polished Stainless (PS)

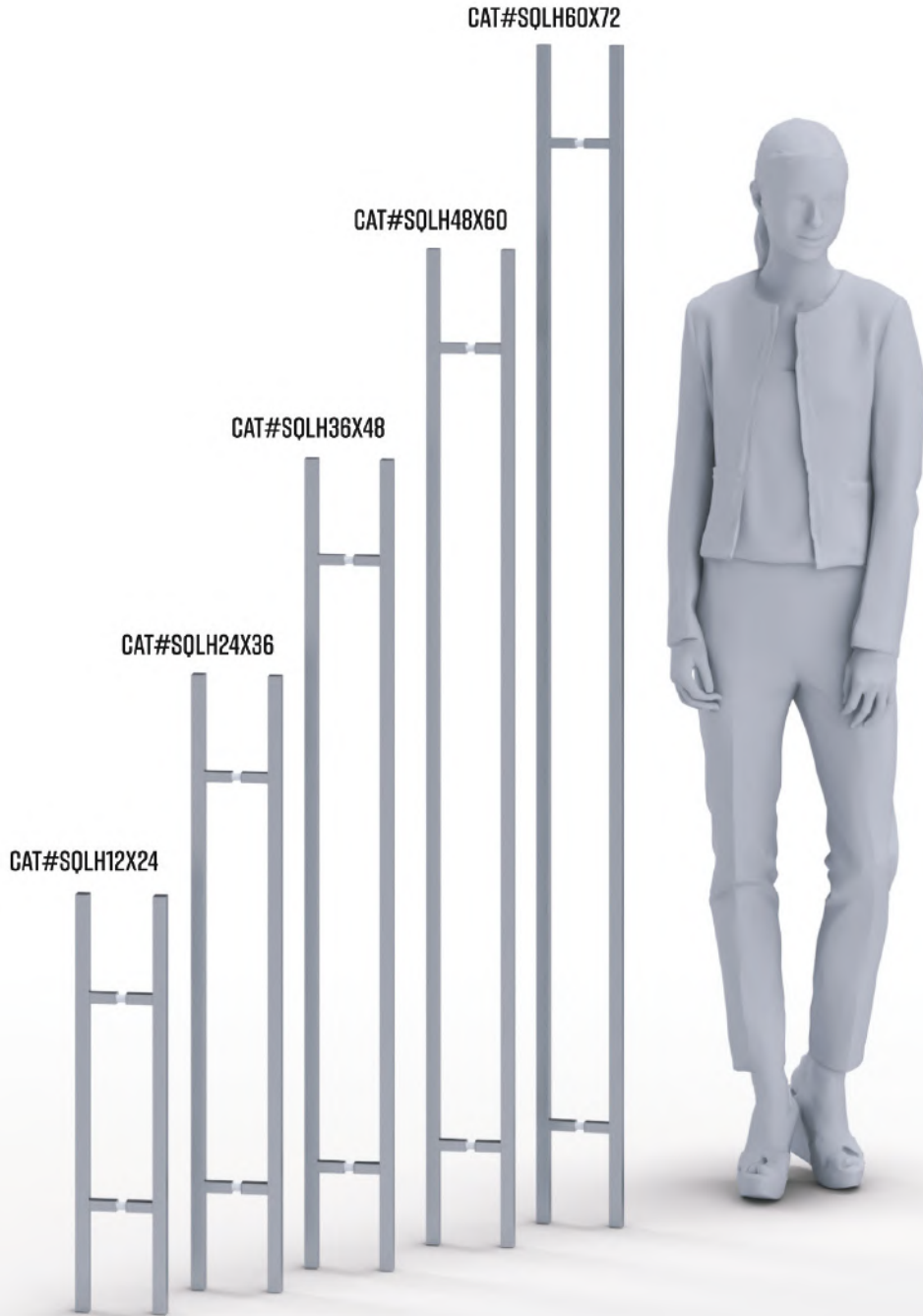
Round Commercial Ladder Handle

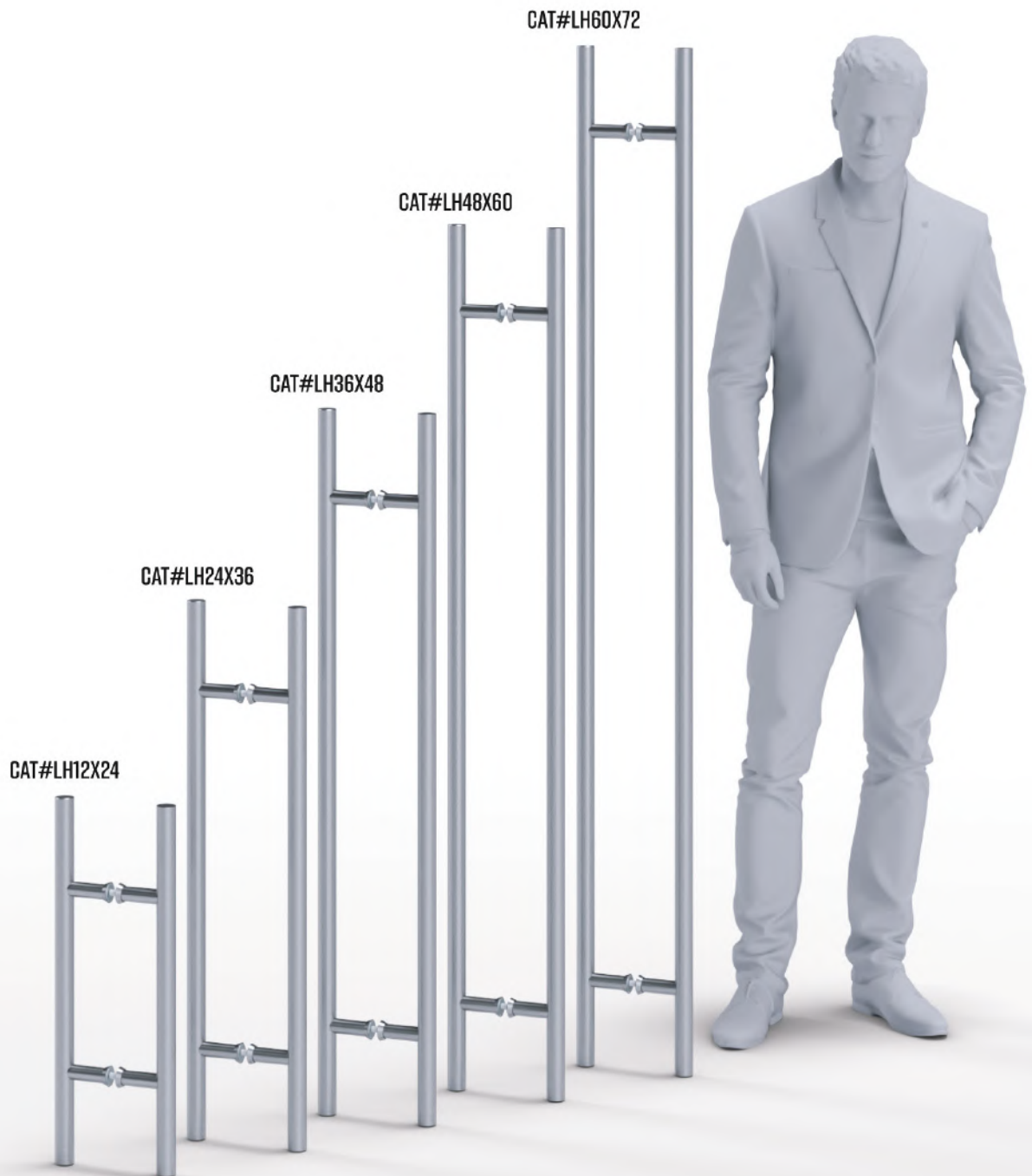
CAT# LH12X24 | CAT# LH24X36 | CAT# LH36X48 | CAT# LH48X60 | CAT# LH60X72

1/2" Holes required



-  Matte Black (MB)
-  Gold Brushed (GBR)
-  Brushed Stainless (BS)
-  Polished Stainless (PS)

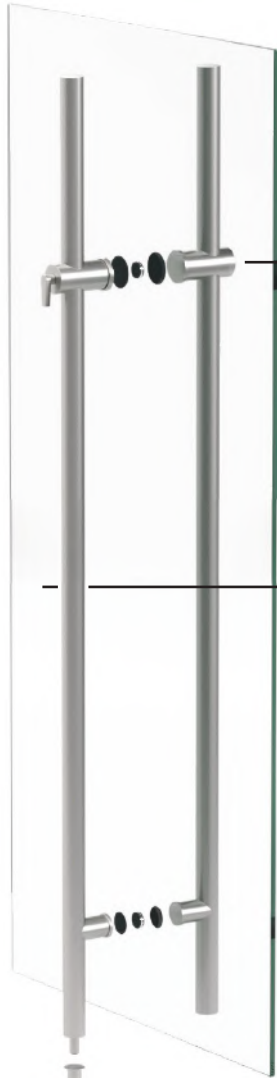




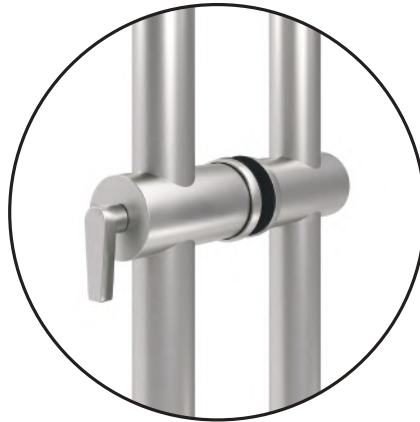
60" Locking Round Commercial Ladder Handle

CAT# TD9850

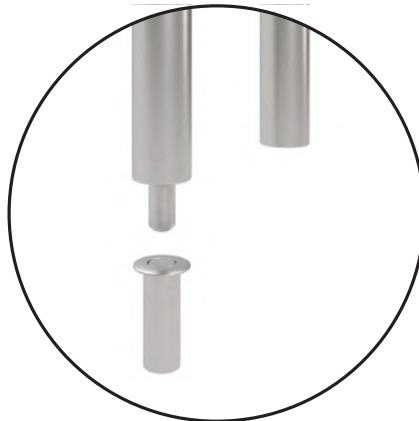
1" Holes required







7 pin cylinder for easy re-keying

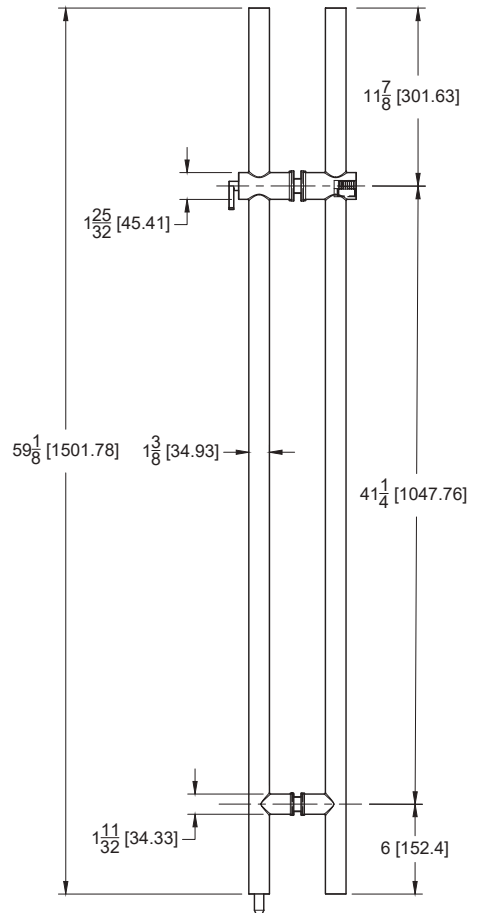
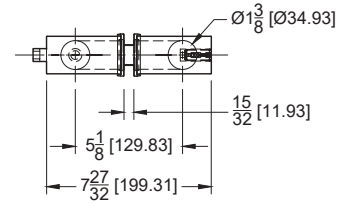


A.D.A compliant thumbturn



Dust proof strike

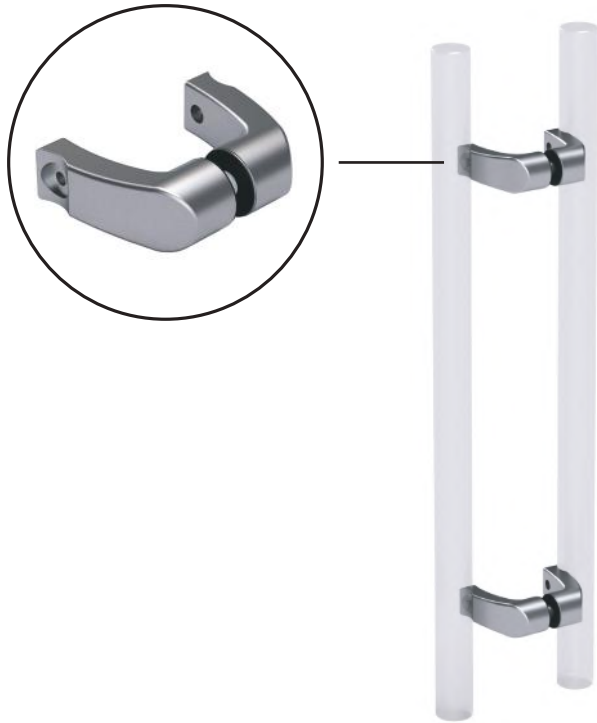
-  Matte Black (MB)
-  Gold Brushed (GBR)
-  Polished Stainless (PS)
-  Brushed Stainless (BS)



Offset Mount Kit for Commercial Ladder Handle

CAT# LHOS (ROUND) | SOLHOS (SQUARE)

2 pairs



- Matte Black (MB)
- Gold Brushed (GBR)
- Brushed Stainless (BS)
- Polished Stainless (PS)

Cap Fittings for Commercial Ladder Handle

CAT# LHCAP (ROUND) | SOLHCAP (SQUARE)

2 pieces



- Matte Black (MB)
- Gold Brushed (GBR)
- Brushed Stainless (BS)
- Polished Stainless (PS)

Door Locks

304
Stainless
Steel

3/8" to 1/2"
Tempered
glass



Patch Lock with Key and Thumbturn (Side Mount)

CAT# PFH116



- Matte Black (MB)
- Gold Brushed (GBR)
- Brushed Stainless (BS)
- Polished Stainless (PS)

Receiver for Patch Lock (Side Mount)

CAT# PFH117



- Matte Black (MB)
- Gold Brushed (GBR)
- Brushed Stainless (BS)
- Polished Stainless (PS)

Patch Lock with Key and Thumbturn (Bottom Mount)

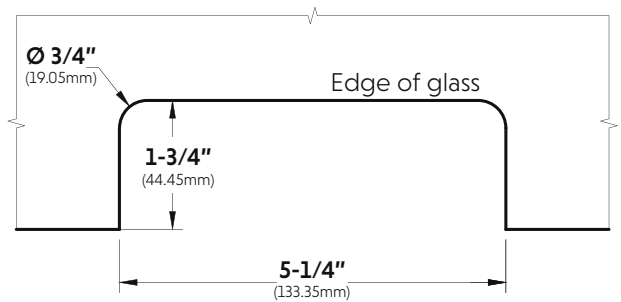
CAT# PFH115



- Matte Black (MB)
- Gold Brushed (GBR)
- Brushed Stainless (BS)
- Polished Stainless (PS)

Cutout

R
door lock
type



Glass Mount Latch with Lock and Thumbturn

CAT# PTH311

Handle not included



Polished Stainless (PS) Brushed Stainless (BS)

Keeper for Glass Mount Latch

CAT# PTH314



Polished Stainless (PS) Brushed Stainless (BS)

Tubular Lever Handles for Glass Mount Latch

CAT# PTH302



Polished Stainless (PS) Brushed Stainless (BS)

Lever Handles for Glass Mount Latch

CAT# PTH306



Polished Stainless (PS) Brushed Stainless (BS)

Square Patch Lock with Key and Thumbturn (Side and Bottom Mount)

CAT# PDL680



Polished Stainless (PS) Matte Black (MB) Brushed Stainless (BS)

Slip-On Deluxe Lock

CAT# 03P38 (3/8" GLASS) | CAT# 03P12 (1/2" GLASS)

No cutout required



Chrome Polished (CP)

Glass Door Indicator Lock

CAT# GDL70

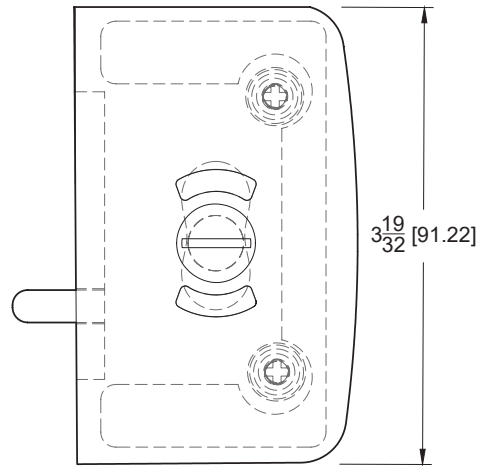
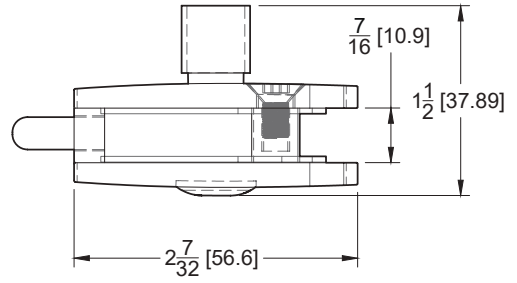


Front

Back



- Polished Stainless (PS)
- Matte Black (MB)
- Brushed Stainless (BS)



Slip-on Glass-to-Wall Lock

CAT# GDL214

No cutout required



- Matte Black (MB)
- Gold Brushed (GBR)
- Brushed Stainless (BS)
- Polished Stainless (PS)

Slip-on Glass-to-Glass Lock

CAT# GDL215

No cutout required



- Matte Black (MB)
- Gold Brushed (GBR)
- Brushed Stainless (BS)
- Polished Stainless (PS)

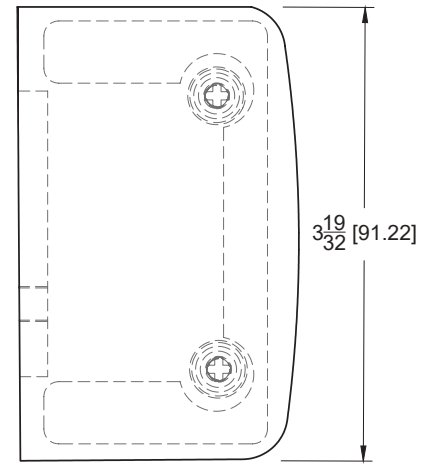
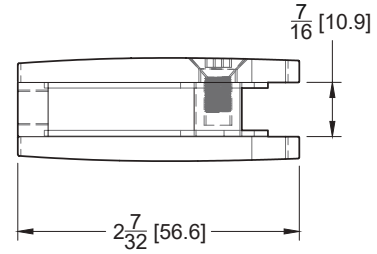
Receiver for Glass Door Indicator Lock

CAT# GDL71



Front

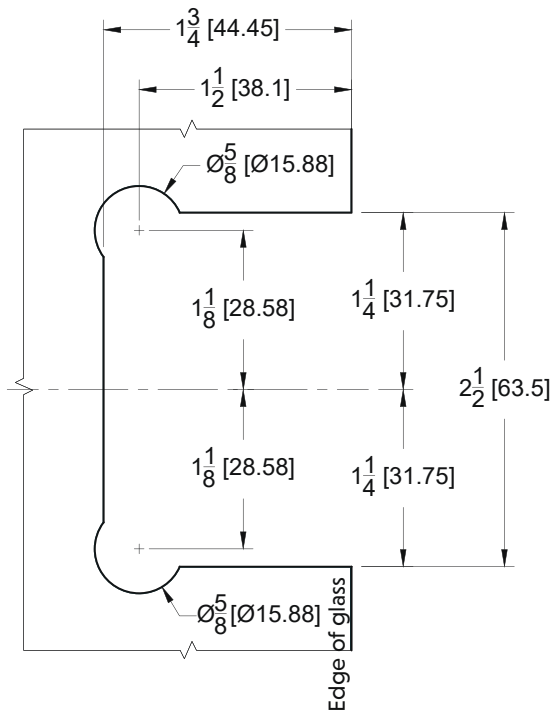
Back



- Matte Black (MB)
- Gold Brushed (GBR)
- Brushed Stainless (BS)
- Polished Stainless (PS)

Cutout

S
door lock
type



Transom and Bracket Fittings

304
Stainless
Steel

3/8" to 1/2"
Tempered
glass

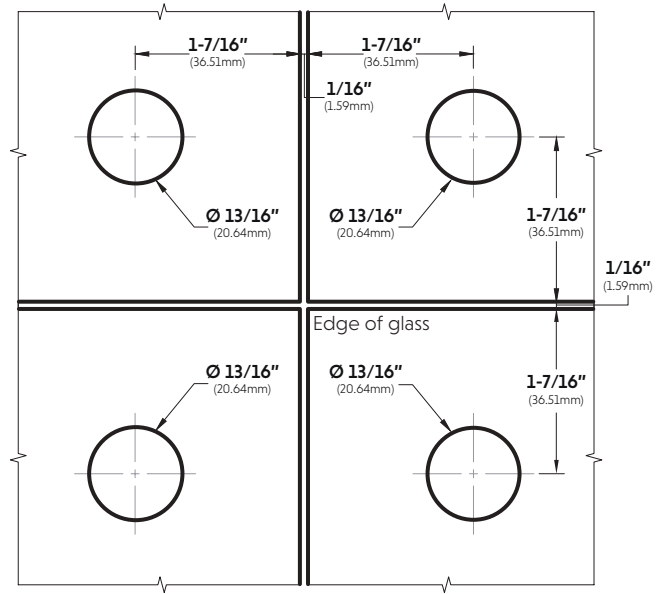






39", 220 lb
Max. glass width
and weight



IGT Patch Connector

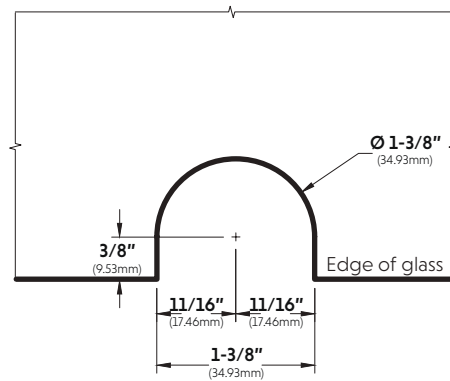
CAT# PFH110







-  Matte Black (MB)
-  Gold Brushed (GBR)
-  Brushed Stainless (BS)
-  Polished Stainless (PS)

IGT Patch Wall Mount Bracket

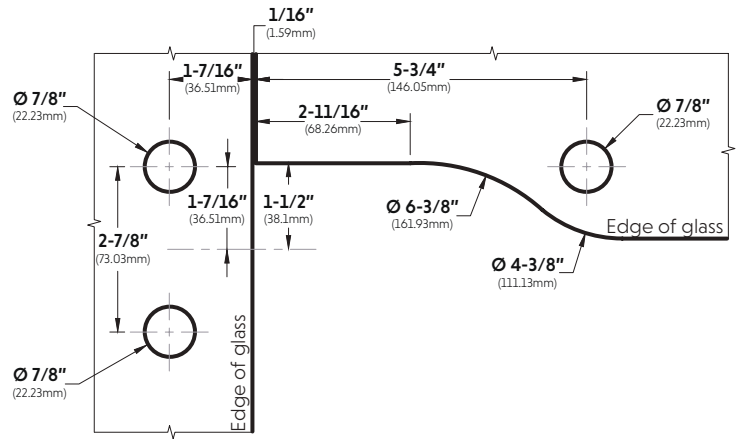
CAT# PFH106







-  Matte Black (MB)
-  Gold Brushed (GBR)
-  Brushed Stainless (BS)
-  Polished Stainless (PS)

IGT Transom/Sidelite Patch Fitting

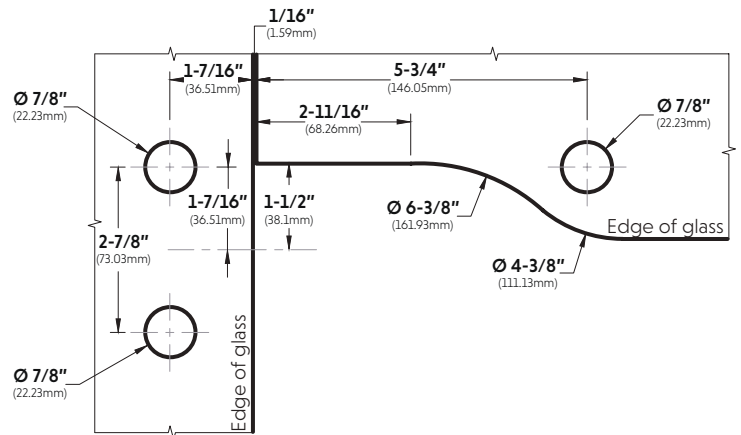
CAT# PFH104-D







-  Matte Black (MB)
-  Gold Brushed (GBR)
-  Brushed Stainless (BS)
-  Polished Stainless (PS)

Oversized IGT Transom/Sidelite Patch Fitting

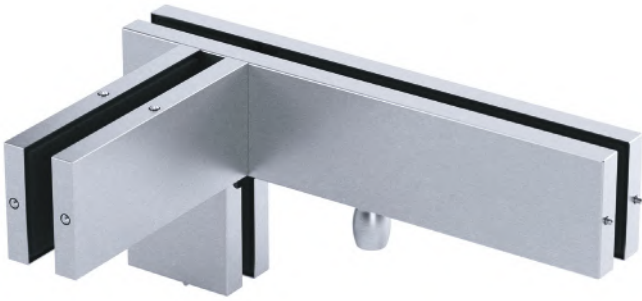
CAT# PFH104V



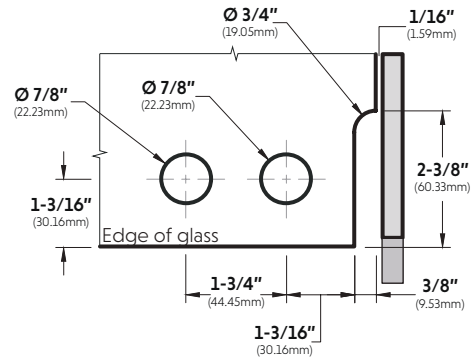
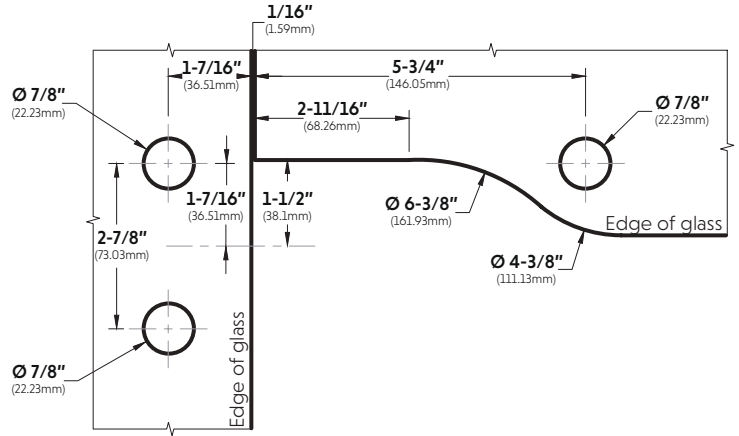
-  Matte Black (MB)
-  Gold Brushed (GBR)
-  Brushed Stainless (BS)
-  Polished Stainless (PS)

IGT Transom/Sidelite Patch Fitting with Right-hand Support Fin

CAT# PFH113R



- Matte Black (MB)
- Gold Brushed (GBR)
- Brushed Stainless (BS)
- Polished Stainless (PS)

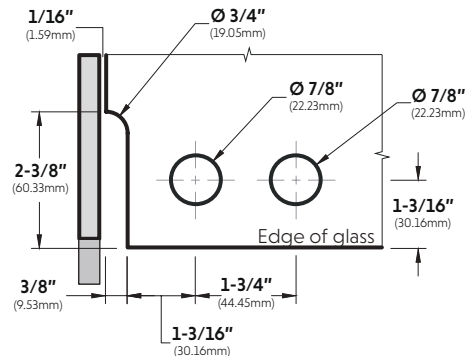
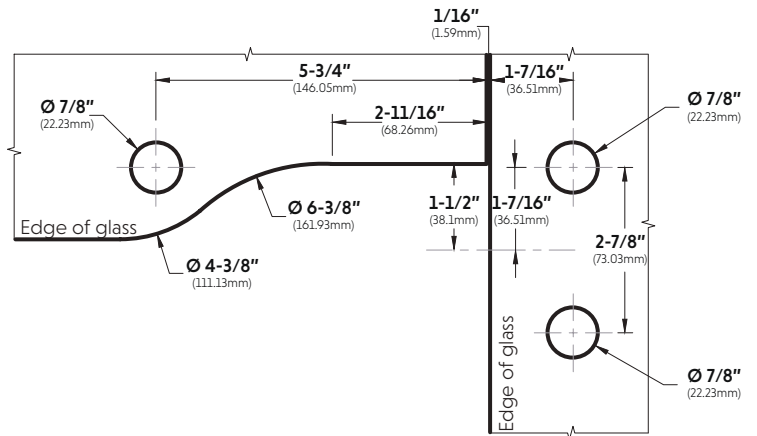


IGT Transom/Sidelite Patch Fitting With Left-hand Support Fin

CAT# PFH113L

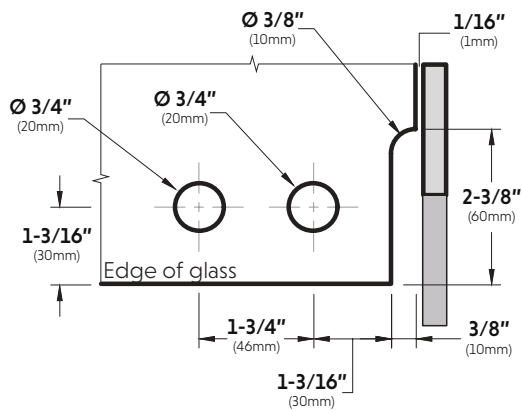
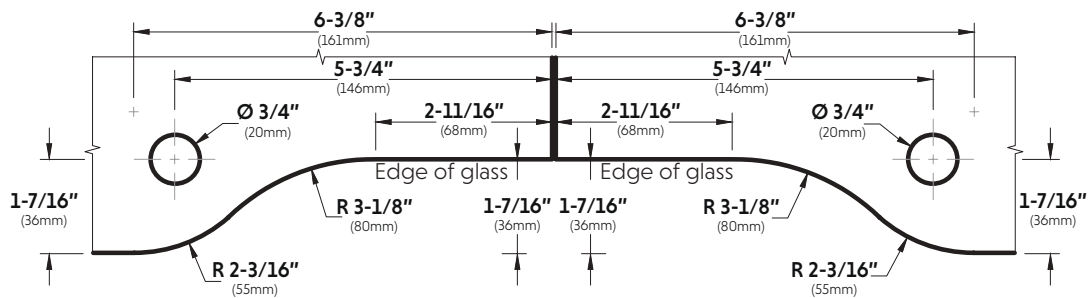


- Matte Black (MB)
- Gold Brushed (GBR)
- Brushed Stainless (BS)
- Polished Stainless (PS)



IGT Double Transom Patch with Support Fin

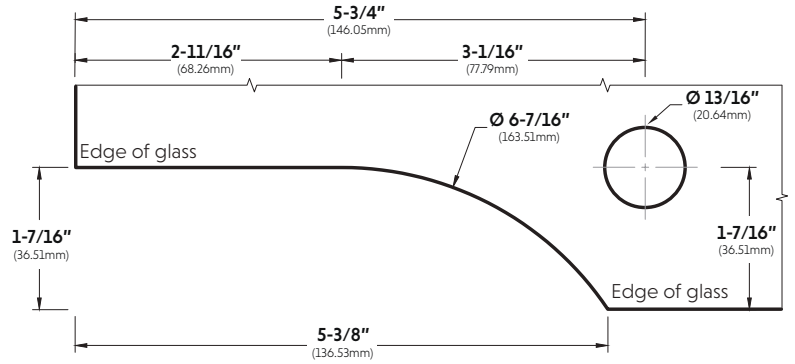
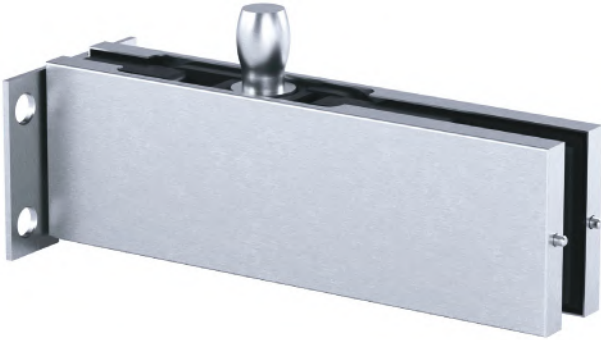
CAT# PFH114



- Matte Black (MB)
- Gold Brushed (GBR)
- Brushed Stainless (BS)
- Polished Stainless (PS)

IGT Transom Wall Mount Patch Fitting

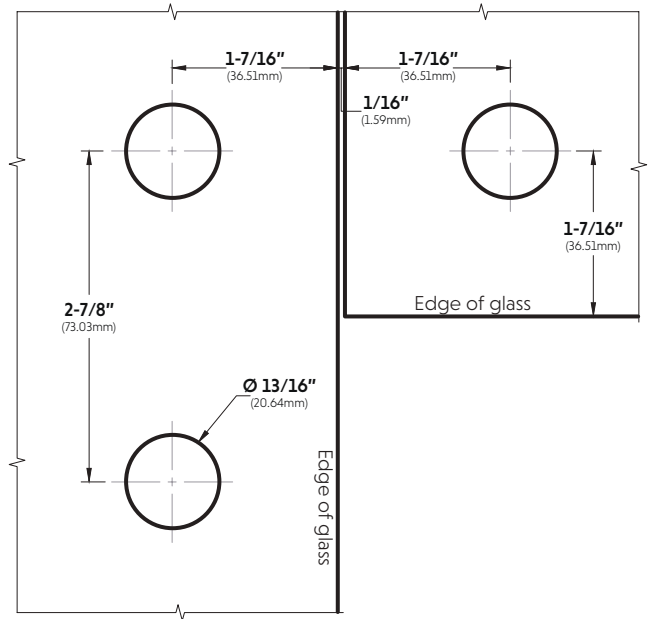
CAT# PFH103-D



- Matte Black (MB)
- Gold Brushed (GBR)
- Brushed Stainless (BS)
- Polished Stainless (PS)

IGT Transom/Sidelite Patch Connector

CAT# PFH105



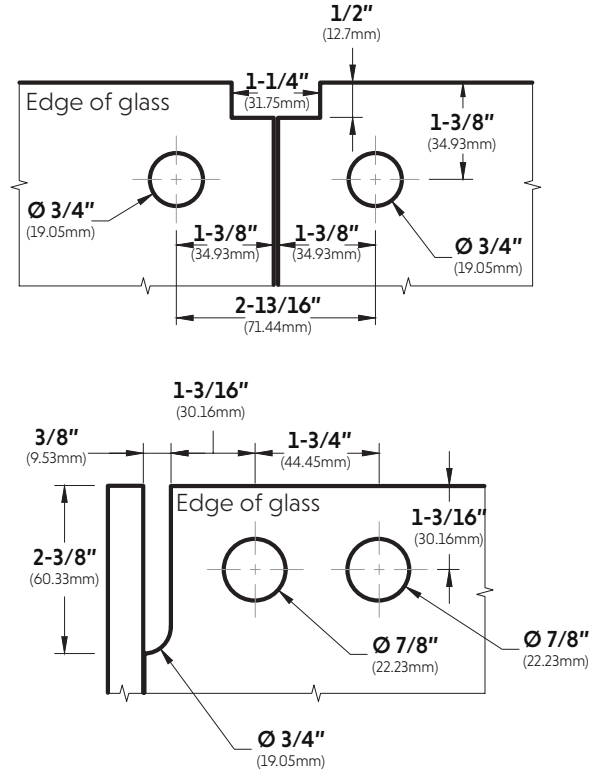
- Matte Black (MB)
- Gold Brushed (GBR)
- Brushed Stainless (BS)
- Polished Stainless (PS)

IGT Patch Wall/Ceiling Connector with Support Fin

CAT# PFH112



- Matte Black (MB)
- Gold Brushed (GBR)
- Brushed Stainless (BS)
- Polished Stainless (PS)

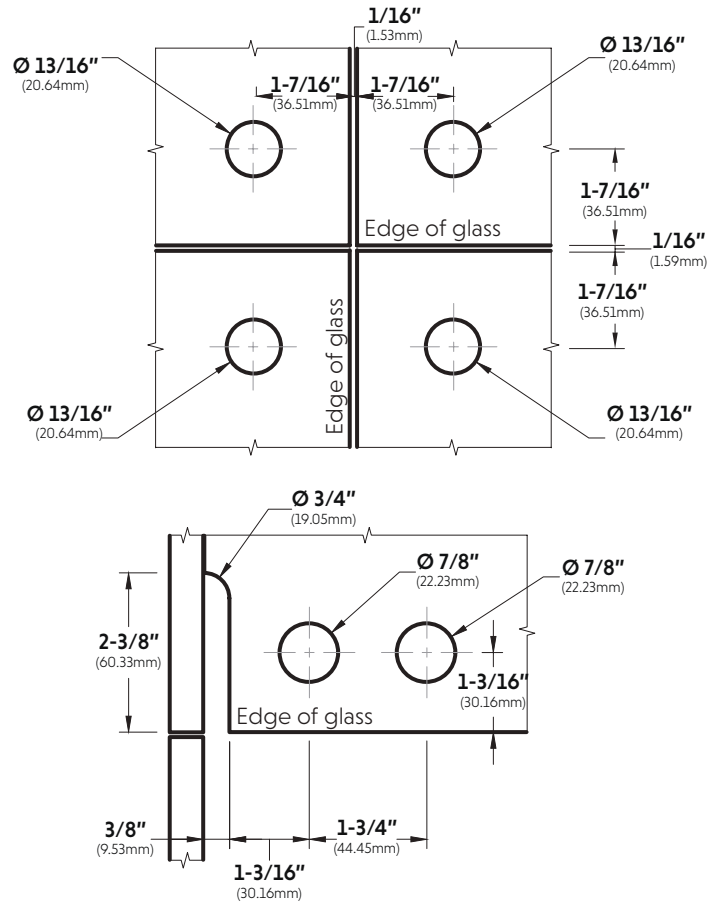


IGT Patch Connector with Support Fin

CAT# PFH111



- Matte Black (MB)
- Gold Brushed (GBR)
- Brushed Stainless (BS)
- Polished Stainless (PS)

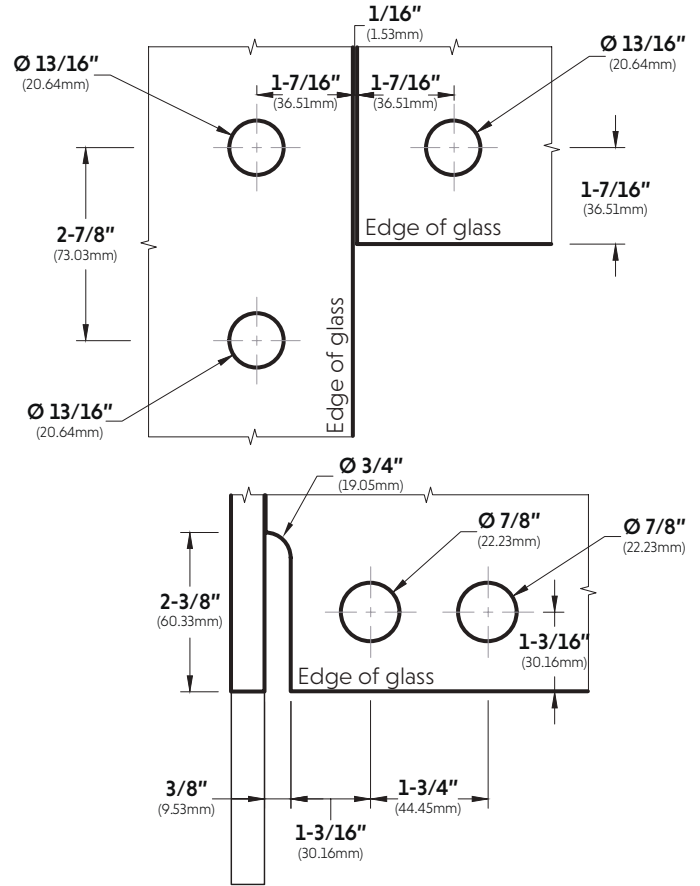


IGT Transom/Sidelite Patch Connector with Left-hand Support Fin

CAT# PFH108L



- Matte Black (MB)
- Gold Brushed (GBR)
- Brushed Stainless (BS)
- Polished Stainless (PS)

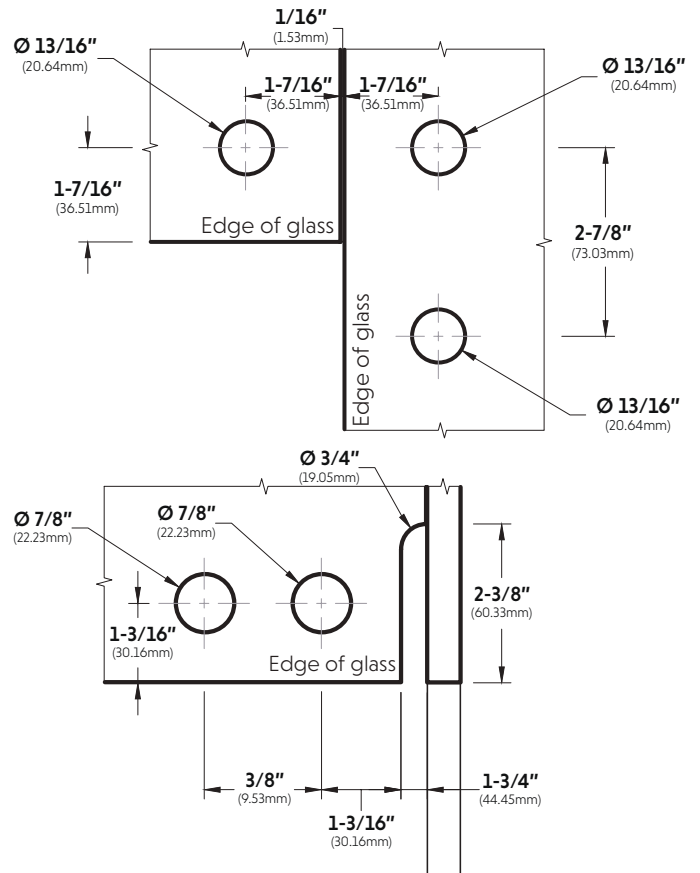


IGT Transom/Sidelite Patch Connector with Right-hand Support Fin

CAT# PFH108R



- Matte Black (MB)
- Gold Brushed (GBR)
- Brushed Stainless (BS)
- Polished Stainless (PS)



Door Patch Fittings

304
Stainless
Steel

3/8" to 1/2"
Tempered
glass



39", 220 lb
Max. glass width
and weight



IGT Hydraulic Patch Fitting Kit

CAT# OCFH-KIT (HOLD OPEN)

CAT# OCFH-NHO-KIT (NO HOLD OPEN)



Hold Open



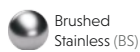
Polished
Stainless (PS)



Matte Black
(MB)



Gold Brushed
(GBR)

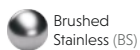


Brushed
Stainless (BS)

No Hold Open

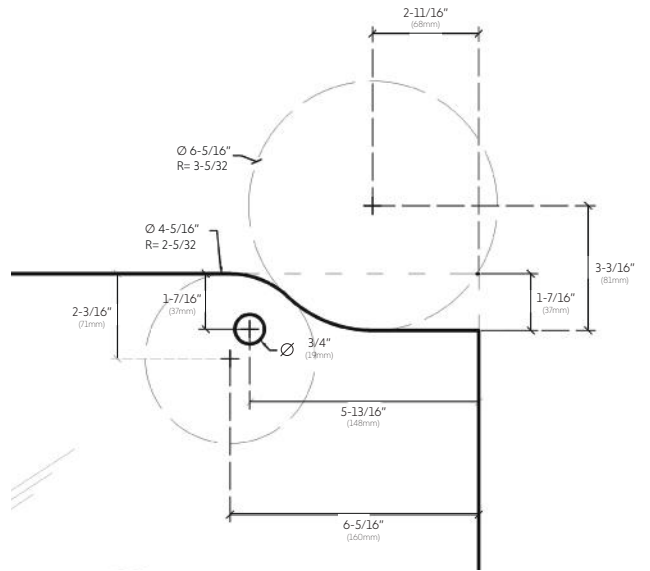


Polished
Stainless (PS)

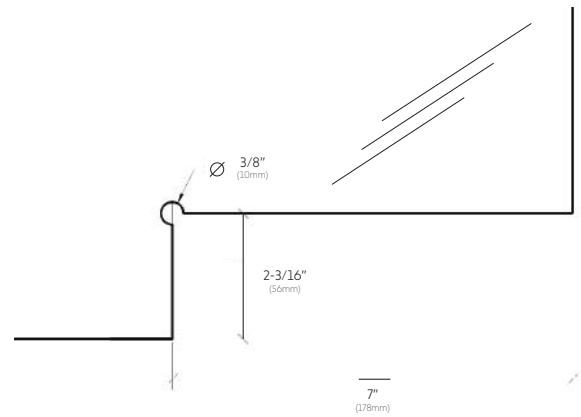


Brushed
Stainless (BS)

Top Patch Installation



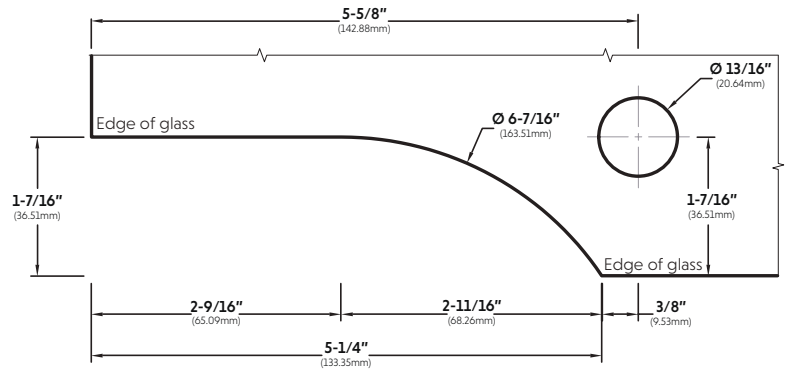
Bottom Patch Installation



Note: Recommended door discount $7/8"$ to $1"$

IGT Bottom Patch Fitting

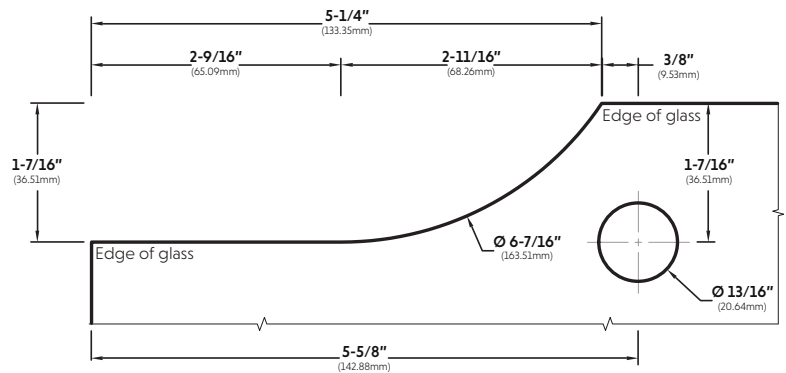
CAT# PFH101-D





-  Polished Stainless (PS)
-  Matte Black (MB)
-  Gold Brushed (GBR)
-  Brushed Stainless (BS)

IGT Top Patch Fitting

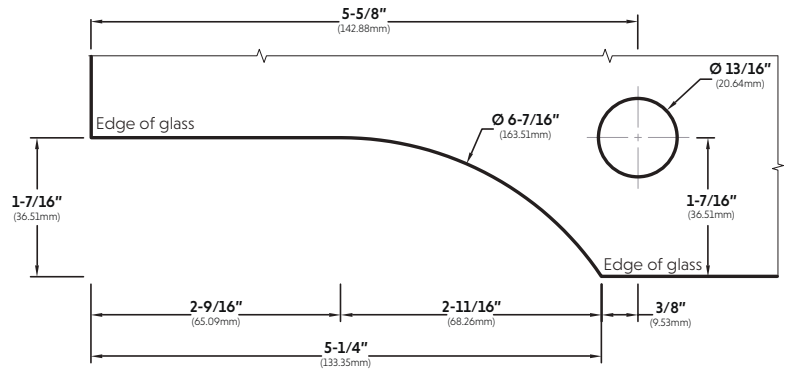
CAT# PFH102-D



-  Polished Stainless (PS)
-  Matte Black (MB)
-  Gold Brushed (GBR)
-  Brushed Stainless (BS)

IGT Top Patch Fitting (Oversized)

CAT# PFH102V

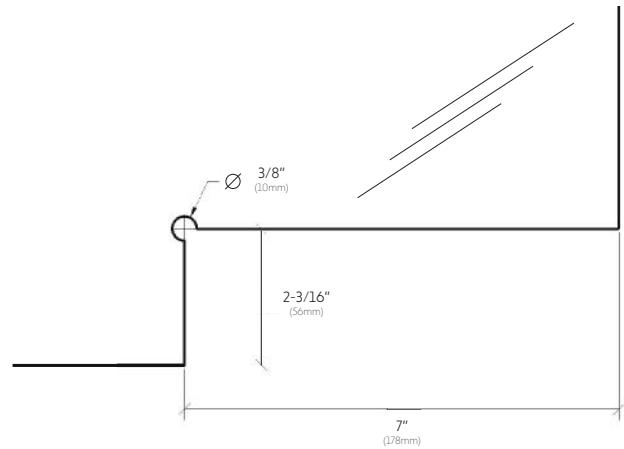


-  Polished Stainless (PS)
-  Matte Black (MB)
-  Gold Brushed (GBR)
-  Brushed Stainless (BS)

IGT Bottom Hydraulic Patch Fitting

CAT# OCFH100-HO (90° HOLD OPEN)

CAT# OCFH100-NHO (NO HOLD OPEN)



Note: Recommended door discount 7/8" to 1"

Hold Open

-  Polished Stainless (PS)
-  Gold Brushed (GBR)
-  Brushed Stainless (BS)
-  Matte Black (MB)




No Hold Open

-  Polished Stainless (PS)
-  Brushed Stainless (BS)

Replacement Covers for Hydraulic Patch Fitting

CAT# OCFHCAPS





-  Polished Stainless (PS)
-  Matte Black (MB)
-  Gold Brushed (GBR)
-  Brushed Stainless (BS)

Free-Swinging Pivot for Bottom Patch Fitting

CAT# BPF101







-  Polished Stainless (PS)
-  Matte Black (MB)
-  Gold Brushed (GBR)
-  Brushed Stainless (BS)

Top Pivot for Patch Fitting

CAT# TPF101



-  Polished Stainless (PS)
-  Matte Black (MB)
-  Gold Brushed (GBR)
-  Brushed Stainless (BS)



Glass and Mirror Standoffs

1/4" to 1/2"
Tempered
Glass



End Cap for Standoff

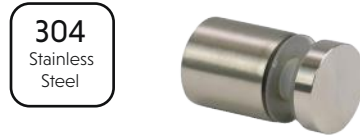
CAT# GSC25



304 Stainless Steel
 Chrome Polished (CP) Brushed Nickel (BN)

1" Glass Display Standoff

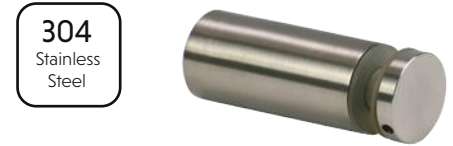
CAT# GS25



304 Stainless Steel
 Chrome Polished (CP) Brushed Nickel (BN)

2" Glass Display Standoff

CAT# GS50



304 Stainless Steel
 Chrome Polished (CP) Brushed Nickel (BN)

4" Glass Display Standoff

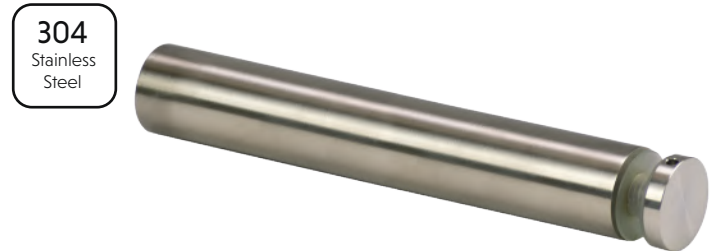
CAT# GS100



304 Stainless Steel
 Chrome Polished (CP) Brushed Nickel (BN)

6" Glass Display Standoff

CAT# GS150



304 Stainless Steel
 Chrome Polished (CP) Brushed Nickel (BN)

1-1/8" Edge Grip Standoff

CAT# GS25N | CAT# GS25NCD (SPARE COVER)



304 Stainless Steel
 Chrome Polished (CP) Brushed Nickel (BN)

1" Square Glass Display Standoff

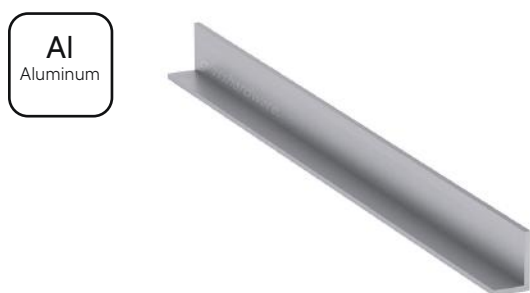
CAT# SQGS25



304 Stainless Steel
 Chrome Polished (CP) Brushed Nickel (BN)

144" Deep Nose Aluminum L-Channel

CAT# L12X34



Aluminum
 Matte Black (MB) Gold Brushed (GBR) Brushed Nickel (BN)
 Chrome Polished (CP)

144" Deep Nose Aluminum J-Channel

CAT# D645



Aluminum
 Matte Black (MB) Gold Brushed (GBR) Brushed Nickel (BN)
 Chrome Polished (CP)

Heavy Glass "U" Channels

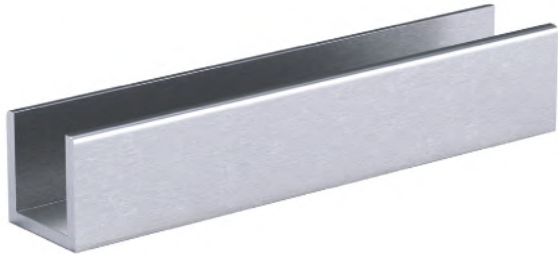


1" x 1" U-Channel

CAT# U1X1-120 (120") | CAT# U1X1-220 (220")

AI
Aluminum

3/8" to 1/2"
Tempered
glass



- Matte Black (MB)
 - Polished Stainless (PS)
 - Brushed Stainless (BS)
 - Gold Brushed (GBR)
- Only U1X1-120

1" x 1-1/2" U-Channel

CAT# U1X112-120 (120") | U1X112-220 (220")

AI
Aluminum

3/8" to 1/2"
Tempered
glass



- Matte Black (MB)
 - Polished Stainless (PS)
 - Brushed Stainless (BS)
 - Gold Brushed (GBR)
- Only U1X112-120

End Cap for 1" x 1" U-Channel

CAT# U1X1-CAP

AI
Aluminum



- Matte Black (MB)
- Polished Stainless (PS)
- Brushed Stainless (BS)

End Cap for 1" x 1-1/2" U-Channel

CAT# U1X112-CAP

AI
Aluminum



- Matte Black (MB)
- Polished Stainless (PS)
- Brushed Stainless (BS)

Glass Setting Block

CAT# UCSB4

AI
Aluminum



Black Roll-In Glazing Gasket (100' Roll)

CAT# GG38X100 (3/8") | GG12X100 (1/2")

3/8" to 1/2"
Tempered
glass





Concealed Closers and Headers

4" x 36" Single Door Header

CAT# DCH4X36

304
Stainless
Steel



Brushed Stainless (BS) Polished Stainless (PS) Satin (SN)

4" x 72" Double Door Header

CAT# DCH4X72

304
Stainless
Steel



Brushed Stainless (BS) Polished Stainless (PS) Satin (SN)

Overhead Concealed Closer

CAT# CRL9160 (90° HOLD OPEN) | CAT# CRL9162 (90° NO HOLD OPEN)
CAT# CRL9170 (105° HOLD OPEN) | CAT# CRL9172 (105° NO HOLD OPEN)

304
Stainless
Steel

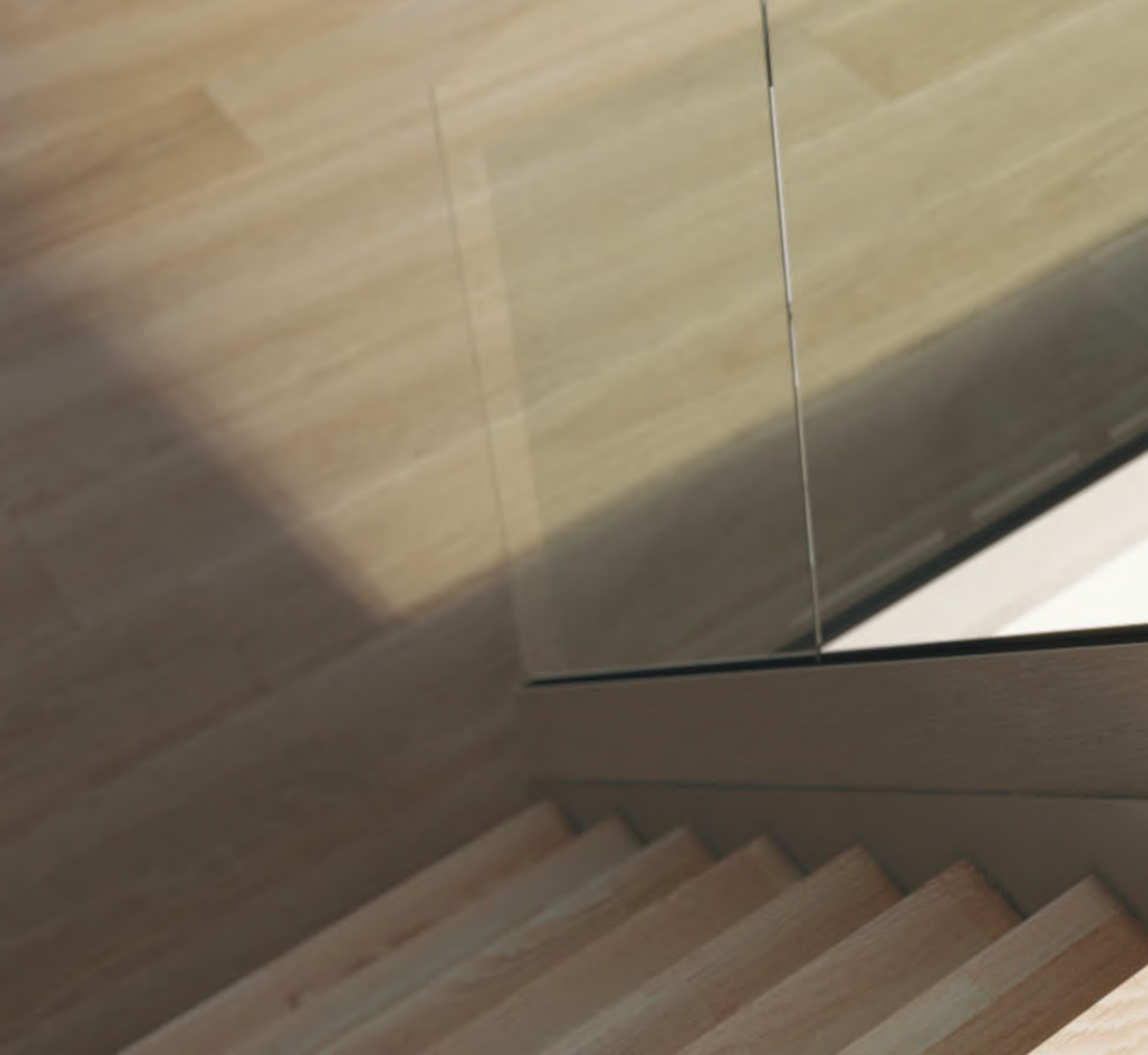


Top Door Closer Patch Insert for Door Closers with 9/16" Square Spindle

CAT# 1NT304-CRL

304
Stainless
Steel





Railing Systems



Standard Base Shoe	158
Tilt-Lock™ Base Shoe NEW	164
Railing Glass	174
Railing Standoffs	176
Handrail and Cap Rail	178
Brackets	197
Blank Posts	204
Rods System	212
Wire System	218
Spigots	222

Standard Base Shoe

Al
Aluminum

1/2", 9/16" & 13/16"
Laminated glass

MIAMI-DADE COUNTY
APPROVED





Aluminum Base Shoe

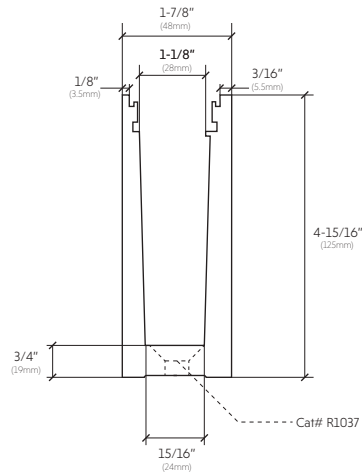
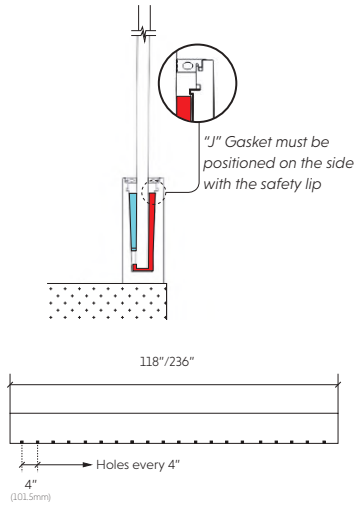
CAT# R130 (9.8') | CAT# R135 (19.8')

A

Al
Aluminum



● Matte Black (MB) ● Satin (SN)



End Cap for Aluminum Base Shoe

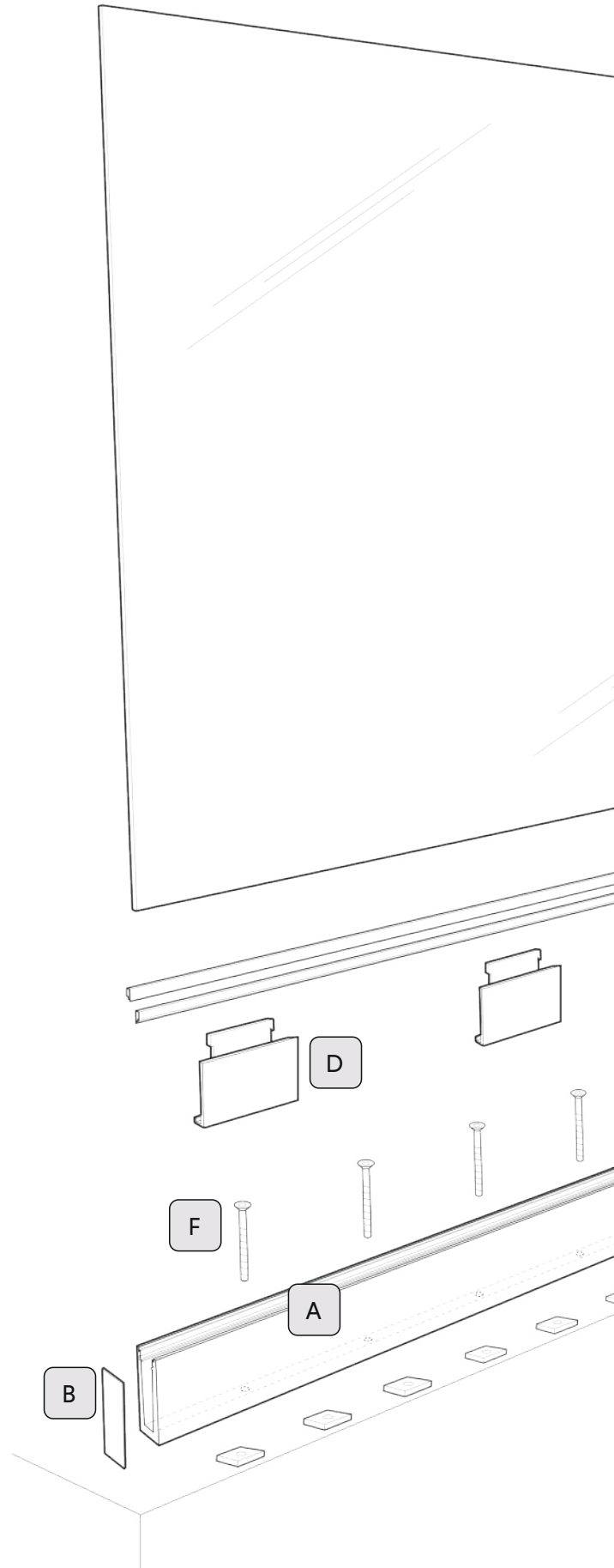
CAT# R219

B

Al
Aluminum

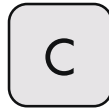


● Matte Black (MB) ● Satin (SN)



Drainage Spacer for Aluminum Base Shoe

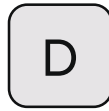
CAT# R351



Glass Mounting Kit

CAT# R4600 (1/2") | CAT# R7600 (9/16") | CAT# R6600 (3/4")

4 pieces



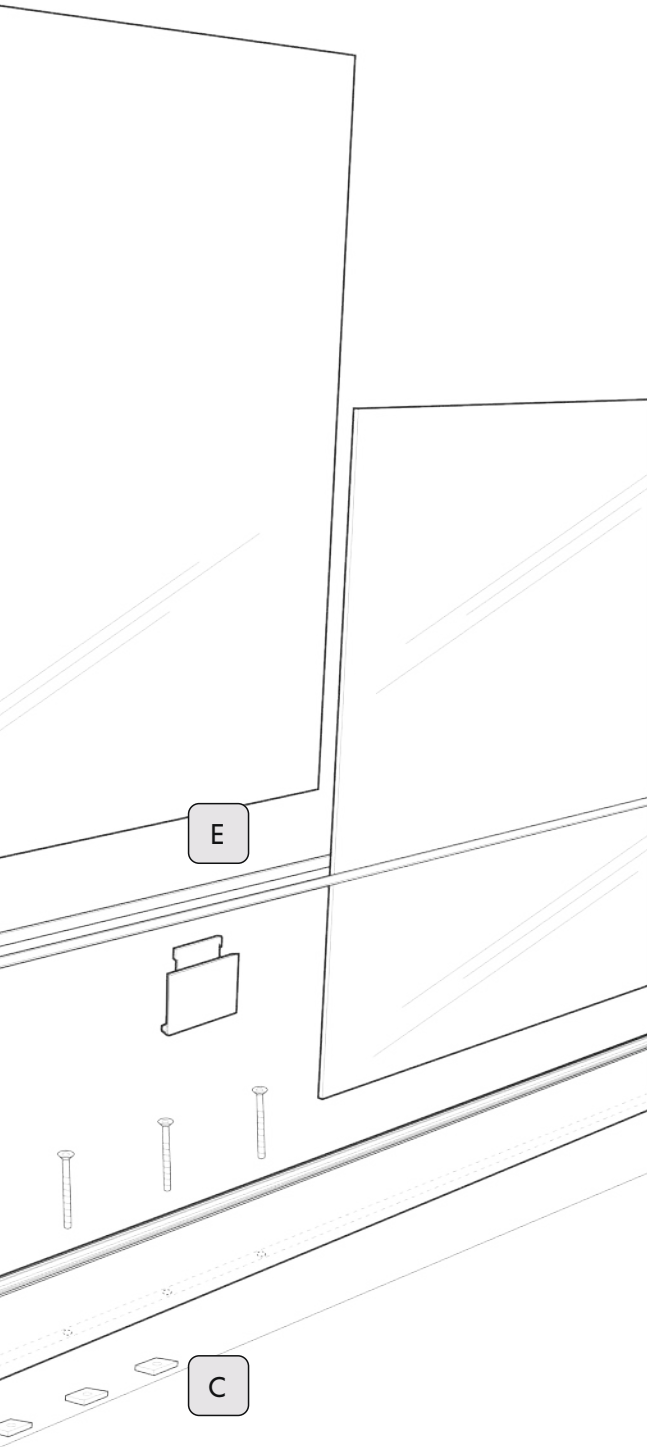
Rubber Gasket 100' Roll

CAT# R20 (1/2" TO 9/16") | CAT# R21 (3/4")



Screw Anchor for Aluminum Base Shoe

CAT# R1037 (CARBON STEEL) | CAT# R1034 (STAINLESS STEEL 316L)

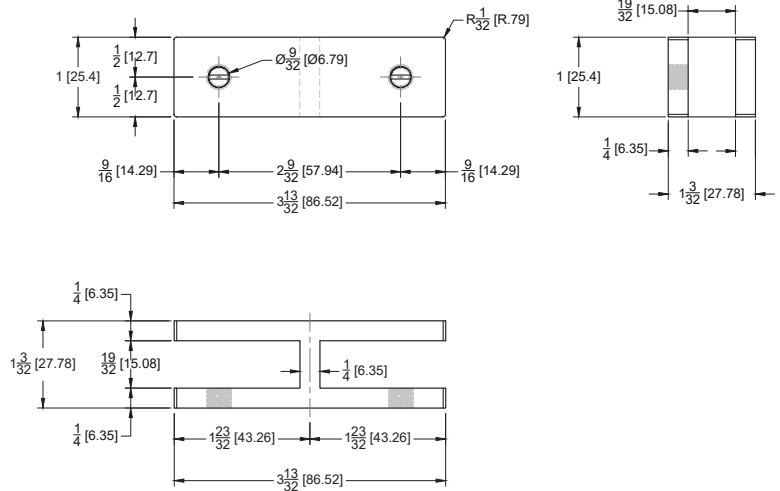


180 Degree Glass Bracing Clamp

CAT# R95

304
Stainless
Steel

1/2" to 9/16"
Tempered
glass



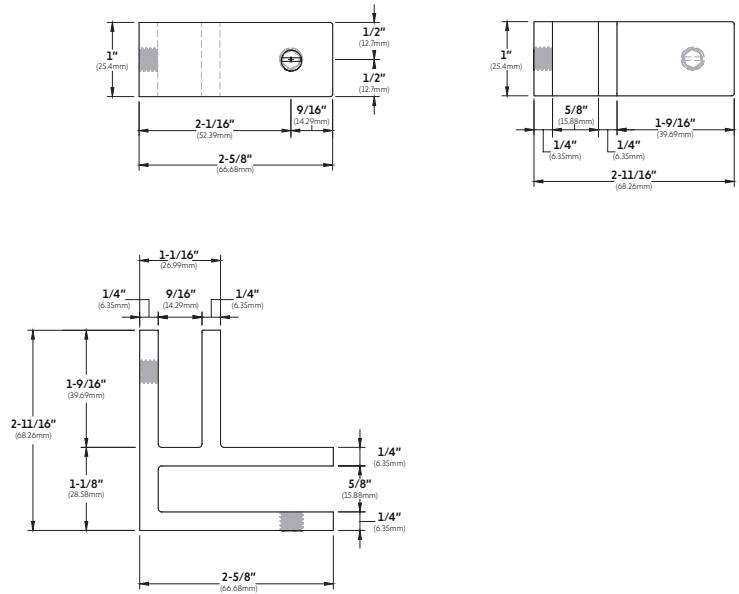
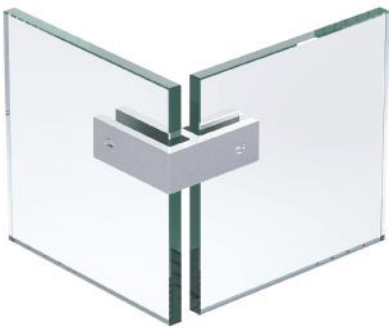
Polished Stainless (PS) Matte Black (MB) Brushed Stainless (BS)

90 Degree Glass Bracing Clamp

CAT# R96

304
Stainless
Steel

1/2" to 9/16"
Tempered
glass



Polished Stainless (PS) Matte Black (MB) Brushed Stainless (BS)

Base Shoe Wedge Tool

CAT# R88

Used to install the Glass Mounting Kit



11" Standard Vinyl Roller Tool

CAT# VR04

Used to install the Rubber Gasket





Tilt-Lock™ Base Shoe

NEW
ITEM

Al
Aluminum

1/2", 9/16" & 13/16"
Laminated glass

MIAMI-DADE COUNTY
APPROVED

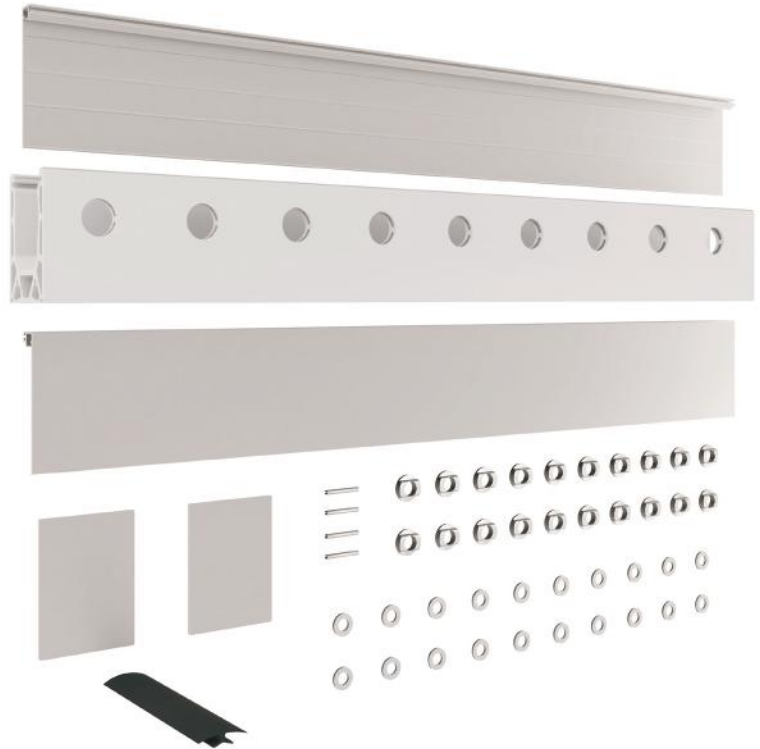
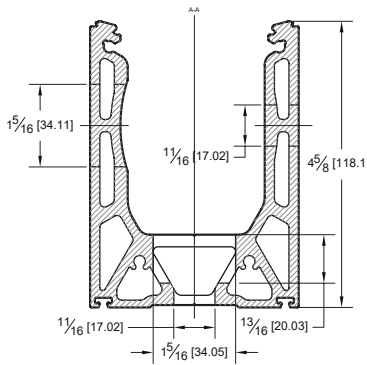




10' Tilt-Lock™ Base Shoe

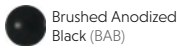
CAT# R80

NEW
ITEM



Includes:

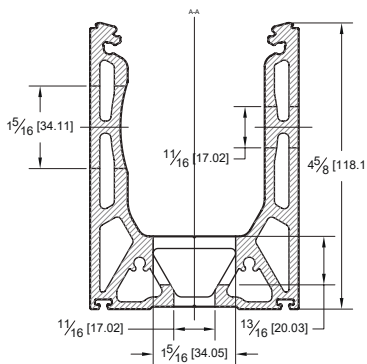
- 10' Channel (1)
- Cladding
- Joining gasket (1)
- End caps (2)
- Joining pins (4)
- Stabilizing washers (20)
- Flat washers (20)



20' Tilt-Lock™ Base Shoe

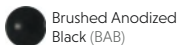
CAT# R81

NEW
ITEM



Includes:

- 20' Channel (1)
- Cladding
- Joining gasket (1)
- End caps (2)
- Joining pins (4)
- Stabilizing washers (40)
- Flat washers (40)



Tilt-Lock™ Glass Mounting Kit for 10' Base Shoe

CAT# RM12-10 (1/2 GLASS)

CAT# RM916-10 (9/16 GLASS)

**NEW
ITEM****Includes:**Glass mounting clamps **(10)**Gap rubbers **(2)****Tilt-Lock™ Glass Mounting Kit for 10' Base Shoe**

CAT# RM1316-10 (13/16 GLASS)

**NEW
ITEM****Includes:**Glass mounting clamps **(15)**Gap rubbers **(2)**

Tilt-Lock™ Glass Mounting Kit for 20' Base Shoe

CAT# RM12-20 (1/2 GLASS)

CAT# RM916-20 (9/16 GLASS)

**NEW
ITEM**



Includes:

Glass mounting clamps (20)

Gap rubbers (2)

Tilt-Lock™ Glass Mounting Kit for 20' Base Shoe

CAT# RM1316-20 (13/16 GLASS)

**NEW
ITEM**



Includes:

Glass mounting clamps (30)

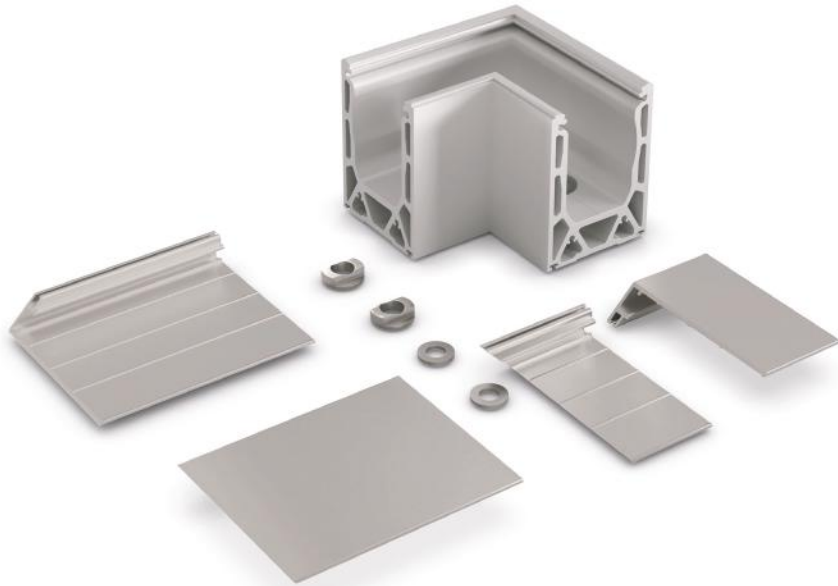
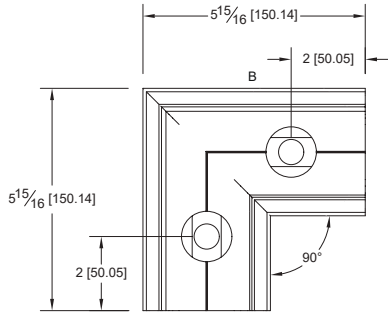
Gap rubbers (2)



Tilt-Lock™ Base Shoe External 90 Degree Corner for Top Mount

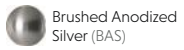
CAT# RC80E

**NEW
ITEM**

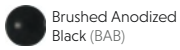


Includes:

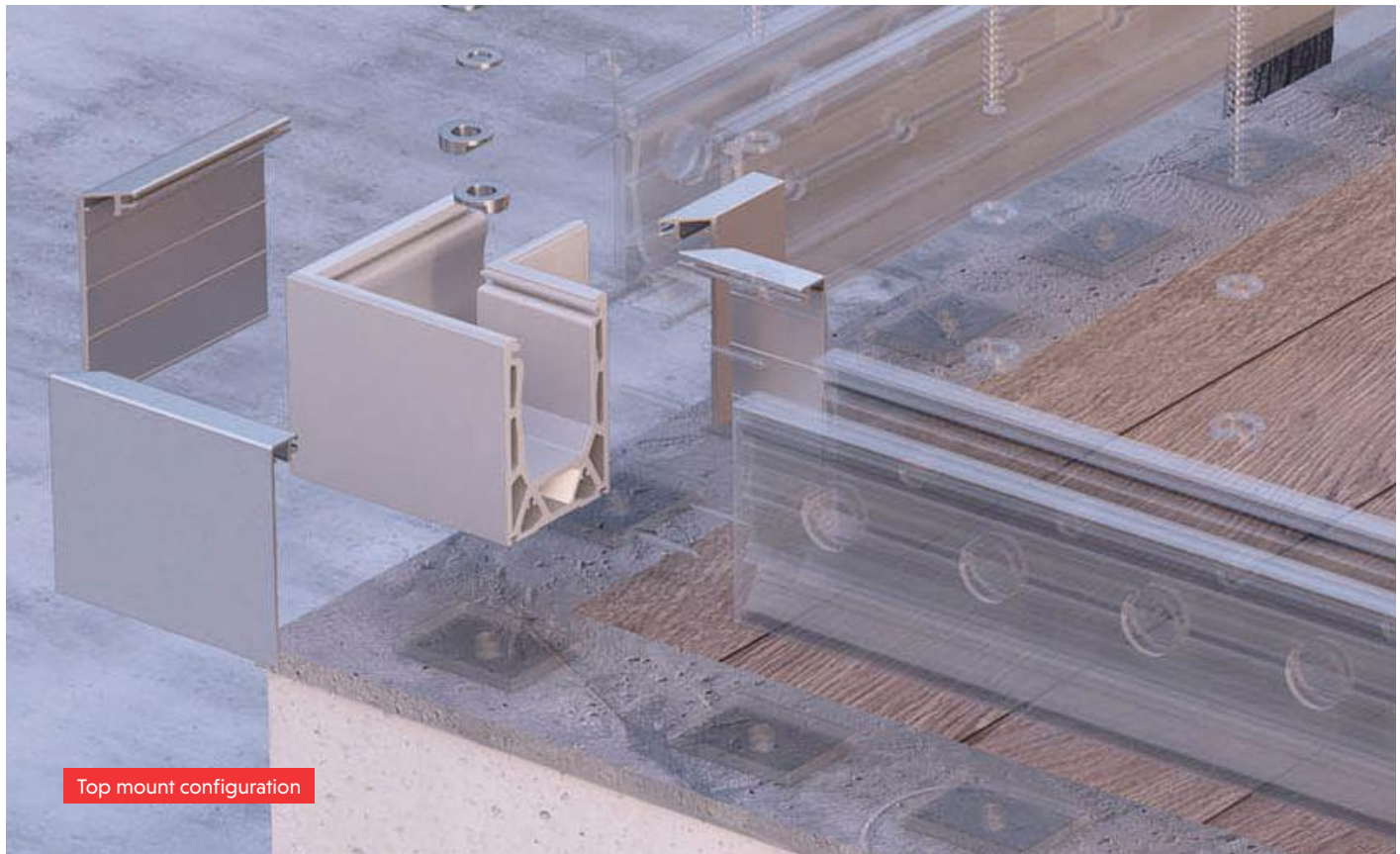
- 90 Degree Channel (1)
- Cladding
- Stabilizing washers (2)
- Flat washers (2)



Brushed Anodized
Silver (BAS)



Brushed Anodized
Black (BAB)

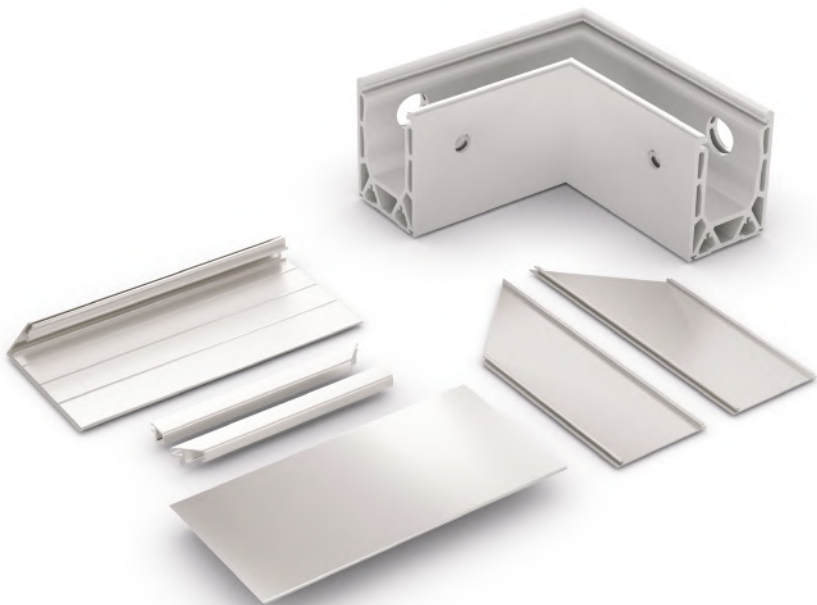
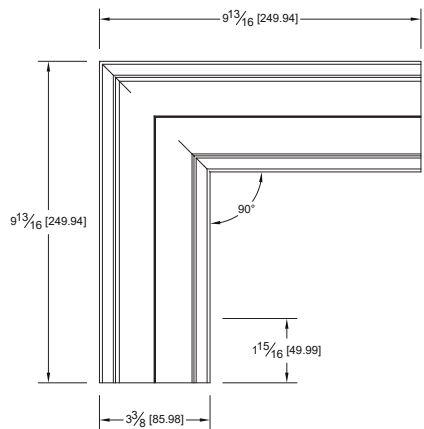


Top mount configuration

Tilt-Lock™ Base Shoe External 90 Degree Corner for Fascia Mount

CAT# RC80ES

**NEW
ITEM**



Includes:

- 90 Degree Channel (1)
- Cladding
- Snap-on profile
- Bottom cover (1)



Brushed Anodized Silver (BAS)



Brushed Anodized Black (BAB)



Fascia mount configuration

Tilt-Lock™ Cover Kit for Fascia Mount

CAT# RS80 (10') | RS81 (20')



● Brushed Anodized Silver (BAS) ● Brushed Anodized Black (BAB)

10' Cladding for Tilt-Lock™ Base Shoe

CAT# R84

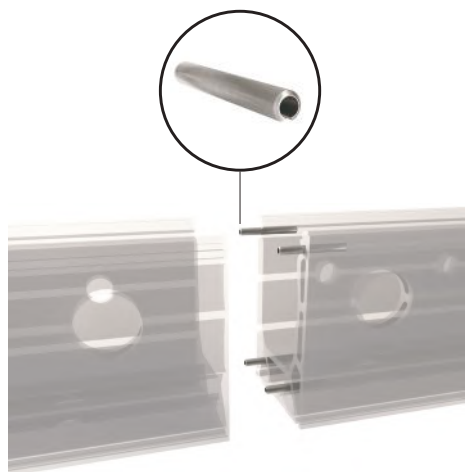


● Brushed Anodized Silver (BAS) ● Brushed Anodized Black (BAB)

Tilt-Lock™ Joining Pins

CAT# R85

4 pieces



Tilt-Lock™ Oversized End Cap

CAT# R82 (TOP MOUNT) | CAT# R82S (FASCIA MOUNT)



● Brushed Anodized Silver (BAS) ● Brushed Anodized Black (BAB)

Tilt-Lock™ Drain Block Pack for Fascia Mount

CAT# R89S

10 pieces



Tilt-Lock™ Drain Block Pack for Top Mount

CAT# R89

10 pieces



DeWalt 1/2"D x 5" Carbon Steel Screw

CAT# R1038

Carbon Steel



DeWalt 1/2"D x 5" 316 Stainless Steel Screw

CAT# R1039

316 Stainless Steel



M12 Spanner Wrench

CAT# R87



M12 Crooked Spanner Wrench

CAT# R87V



Angled Glass Alignment Tool

CAT# R90



180 Degree Glass Alignment Tool

CAT# R91



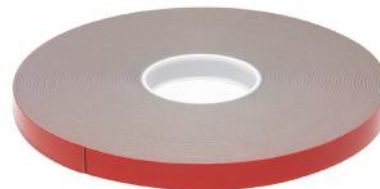
Tilt-Lock™ Joining Gasket

CAT# R86



Double Face Tape for Cladding

CAT# R83

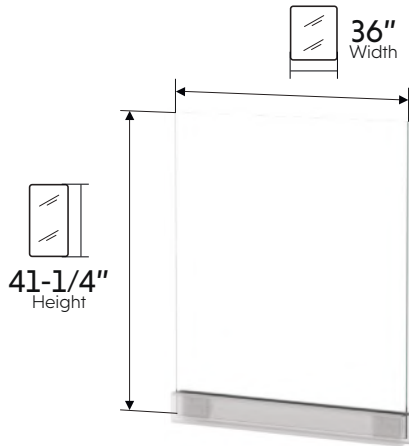


Railing Glass



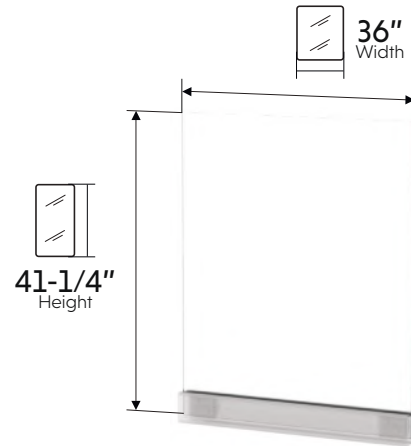
9/16" PVB Clear Laminated-Tempered Glass – 36" x 41-1/4"

CAT# 916LG3642-PVB



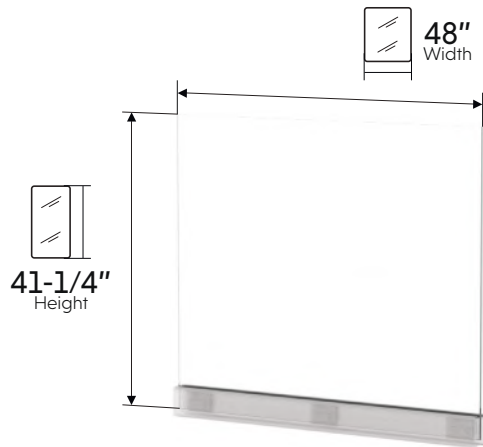
13/16" SGP Clear Laminated-Tempered Glass – 36" x 41-1/4"

CAT# 1316LG3642-SGP



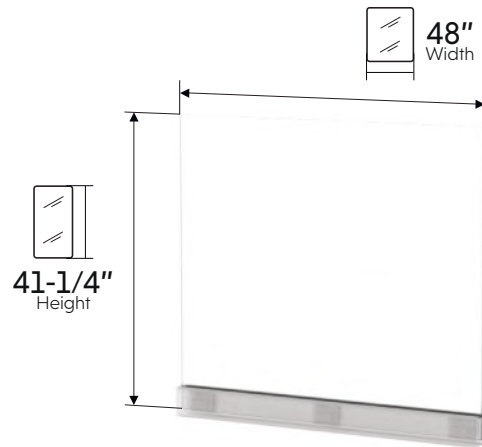
9/16" PVB Clear Laminated-Tempered Glass – 48" x 41-1/4"

CAT# 916LG4842-PVB



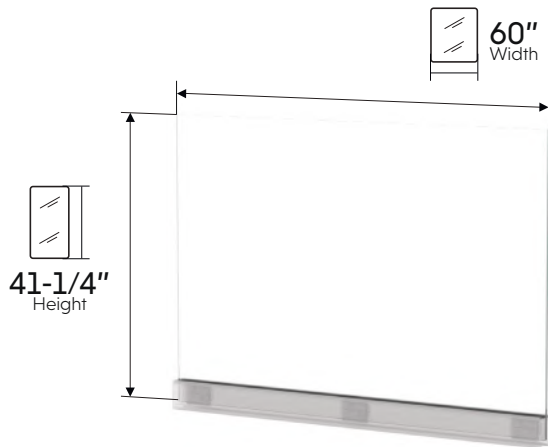
13/16" SGP Clear Laminated-Tempered Glass – 48" x 41-1/4"

CAT# 1316LG4842-SGP



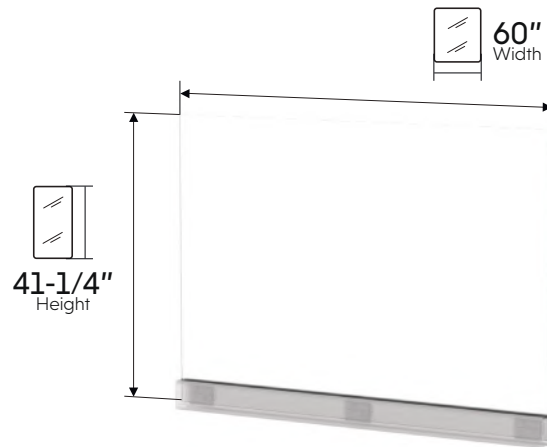
9/16" PVB Clear Laminated-Tempered Glass – 60" x 41-1/4"

CAT# 916LG6042-PVB



13/16" SGP Clear Laminated-Tempered Glass – 60" x 41-1/4"

CAT# 1316LG6042-SGP



Railing Standoffs

316L
Stainless
Steel

9/16" to 13/16"
Laminated glass

3/8" to 1/2"
Tempered glass

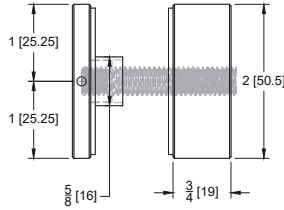


3/4" to 7/8"
Hole Required



3/4" Round Glass Standoff

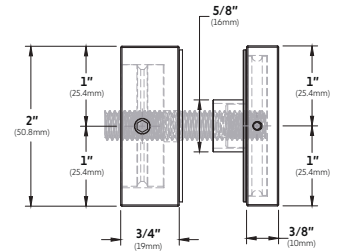
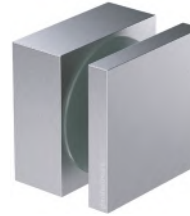
CAT# GS19X50



- Brushed Stainless (BS)
- Matte Black (MB)
- Polished Stainless (PS)
- Gold Brushed (GBR)

3/4" Square Glass Standoff

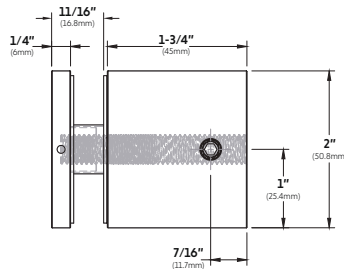
CAT# SQGS19X50



- Brushed Stainless (BS)
- Matte Black (MB)
- Polished Stainless (PS)
- Gold Brushed (GBR)

1-3/4" Round Glass Standoff

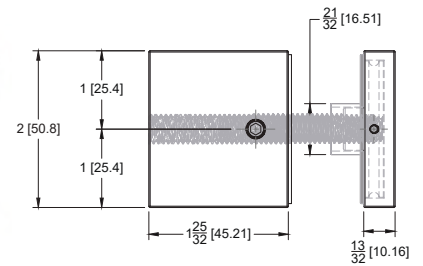
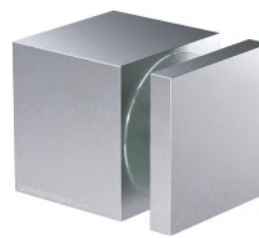
CAT# GS50X50AT



- Brushed Stainless (BS)
- Matte Black (MB)
- Polished Stainless (PS)
- Gold Brushed (GBR)

1-3/4" Square Glass Standoff

CAT# SQGS50X50



- Brushed Stainless (BS)
- Matte Black (MB)
- Polished Stainless (PS)
- Gold Brushed (GBR)

Mounting Plate for Glass Standoff

CAT# GS8X4



- Brushed Stainless (BS)
- Matte Black (MB)
- Polished Stainless (PS)

Replacement Cap for Round Glass Standoff

CAT# GSCAP

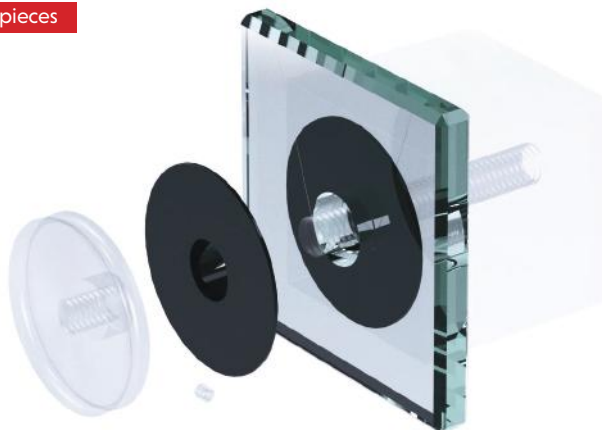


- Brushed Stainless (BS)
- Matte Black (MB)
- Polished Stainless (PS)

Spare Gaskets for Glass Standoff

CAT# GSGK (FLAT) | CAT# GSGKR (RAISED)

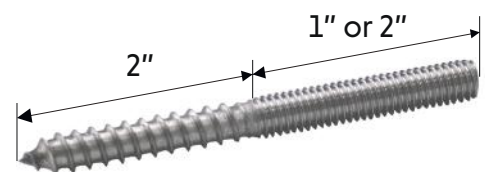
50 pieces



Hanger Bolt

CAT# HBX06-3.00 (3" TOTAL LENGTH)

CAT# HBX06-4.00 (4" TOTAL LENGTH)



Handrail and Cap Rail





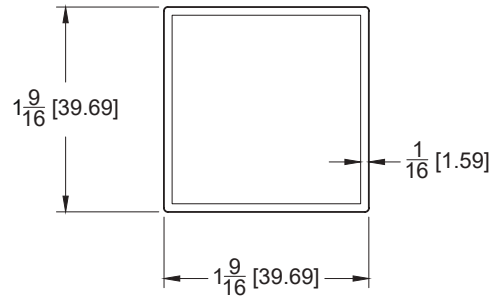
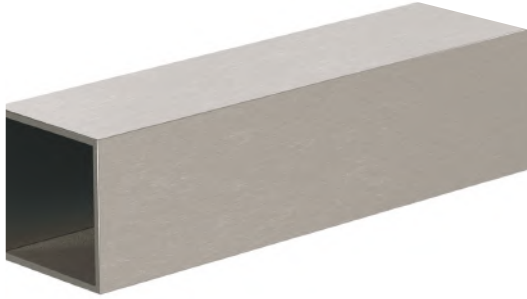
Square Handrail


316L
Stainless
Steel





Square Handrail


CAT# SQHRT10 (120") | CAT# SQHRT20 (220")



- 

Matte Black (MB)
 - 

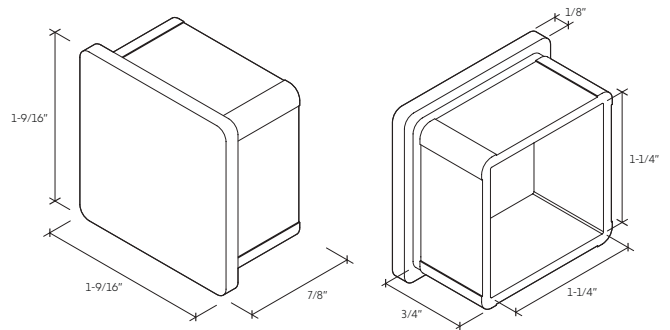
Gold Brushed (GBR)
 - 

Brushed Stainless (BS)
 - 

Polished Stainless (PS)
- Only SQHRT10
Only SQHRT20

End Cap for Square Handrail

CAT# SQHRTFC



- 

Matte Black (MB)
- 

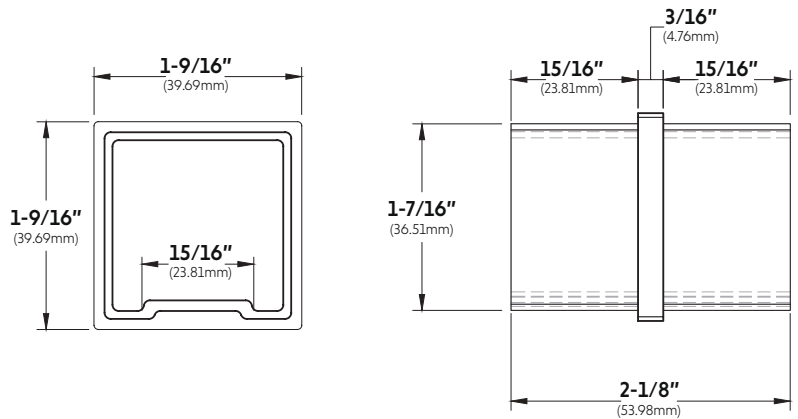
Gold Brushed (GBR)
- 

Brushed Stainless (BS)
- 

Polished Stainless (PS)

180 Degree Connector for Square Handrail

CAT# R4760



- 

Matte Black (MB)
- 

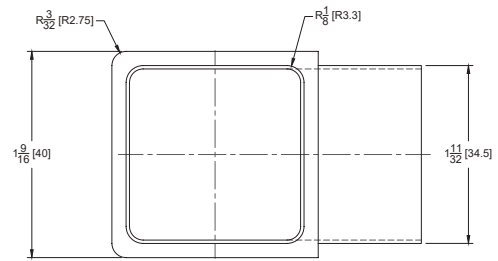
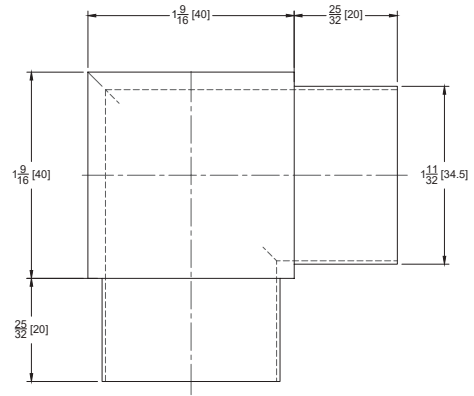
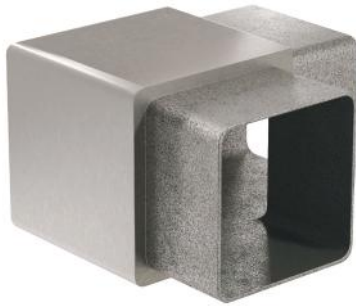
Gold Brushed (GBR)
- 

Brushed Stainless (BS)
- 

Polished Stainless (PS)

90 Degree Connector for Square Handrail

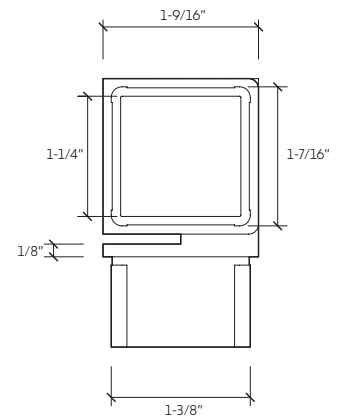
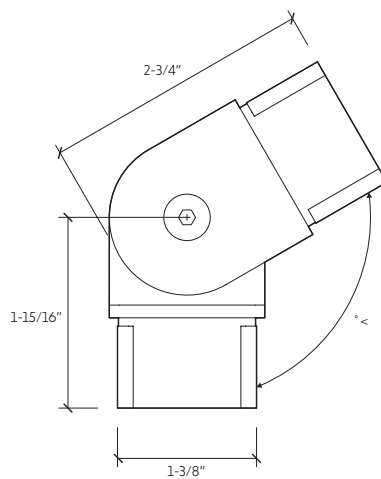
CAT# R4713



-  Matte Black (MB)
-  Gold Brushed (GBR)
-  Brushed Stainless (BS)
-  Polished Stainless (PS)

Adjustable Connector for Square Handrail

CAT# SQHRCAD

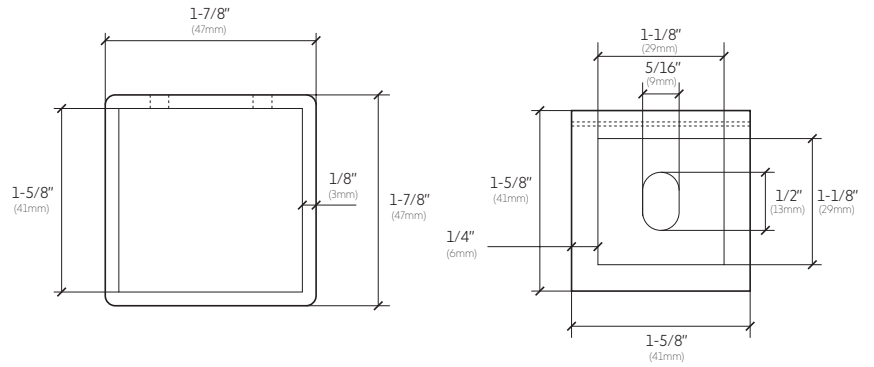


-  Matte Black (MB)
-  Gold Brushed (GBR)
-  Brushed Stainless (BS)
-  Polished Stainless (PS)

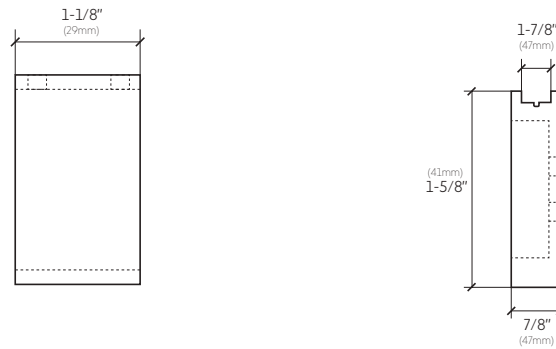
Wall Anchorage For Square Handrail

CAT# R4740

Front



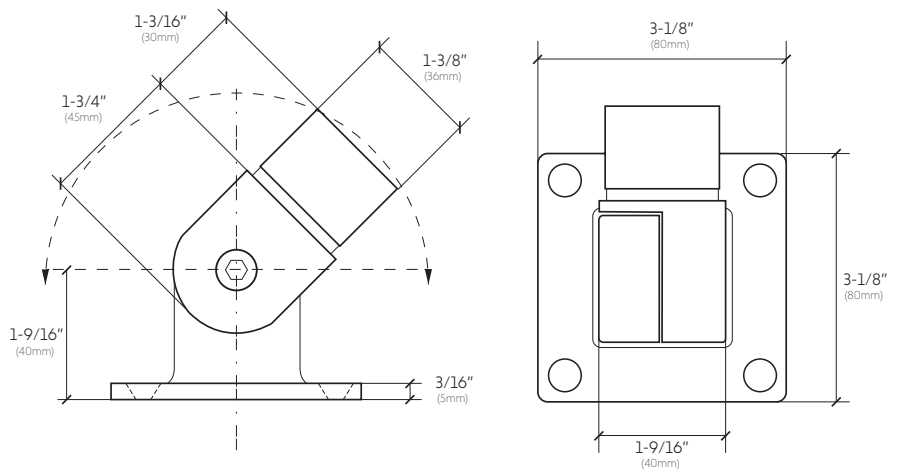
Back



-  Brushed Stainless (BS)
-  Gold Brushed (GBR)
-  Polished Stainless (PS)

Adjustable Anchorage Base for Square Handrail

CAT# R141



-  Brushed Stainless (BS)

Square Cap Rail

316L
Stainless
Steel

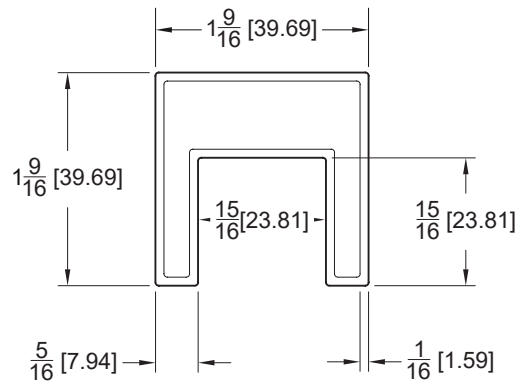
1/2", 9/16" & 13/16"
Laminated glass



Square Cap Rail

CAT# R40X40-10 (120") | CAT# R40X40 (220")

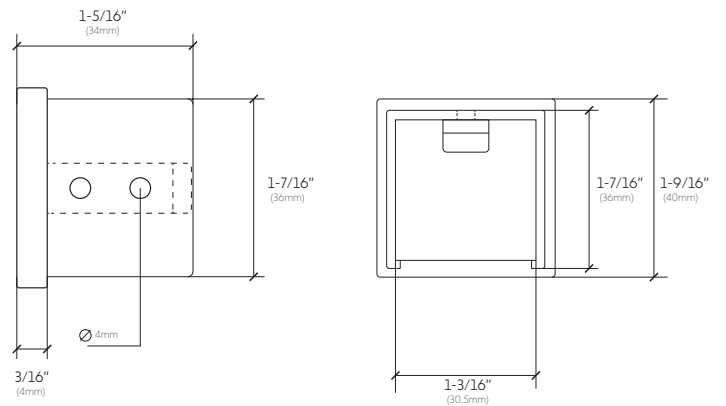
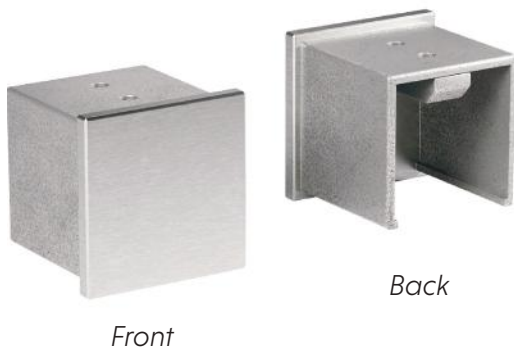
Cap Rail Gasket Required



- Matte Black (MB)
 - Polished Stainless (PS)
 - Gold Brushed (GBR)
 - Brushed Stainless (BS)
- Only R40X40-10 Only R40X40

End Cap for Square Cap Rail

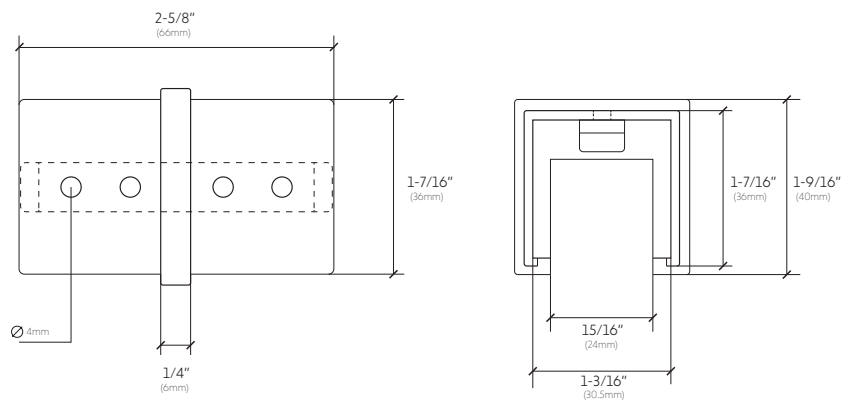
CAT# R150



- Matte Black (MB)
- Gold Brushed (GBR)
- Brushed Stainless (BS)
- Polished Stainless (PS)

25-55 Degree Articulated Connector for Square Cap Rail

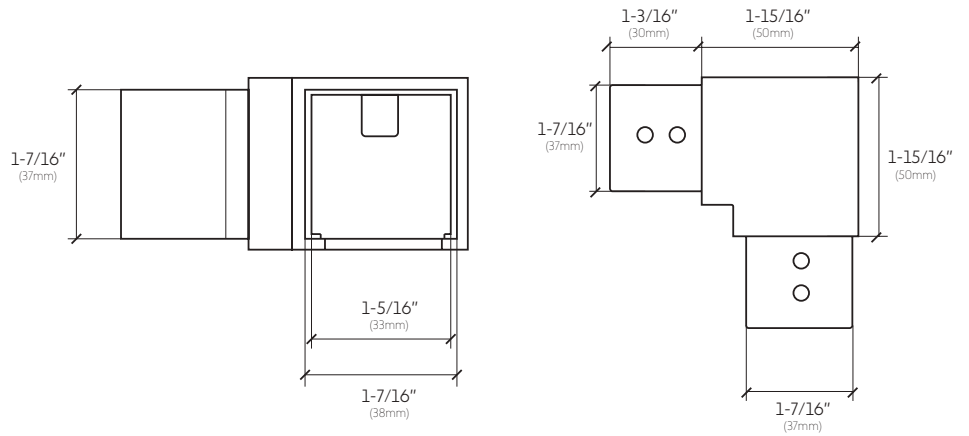
CAT# R262



- Brushed Stainless (BS)

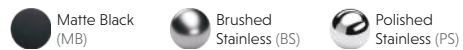
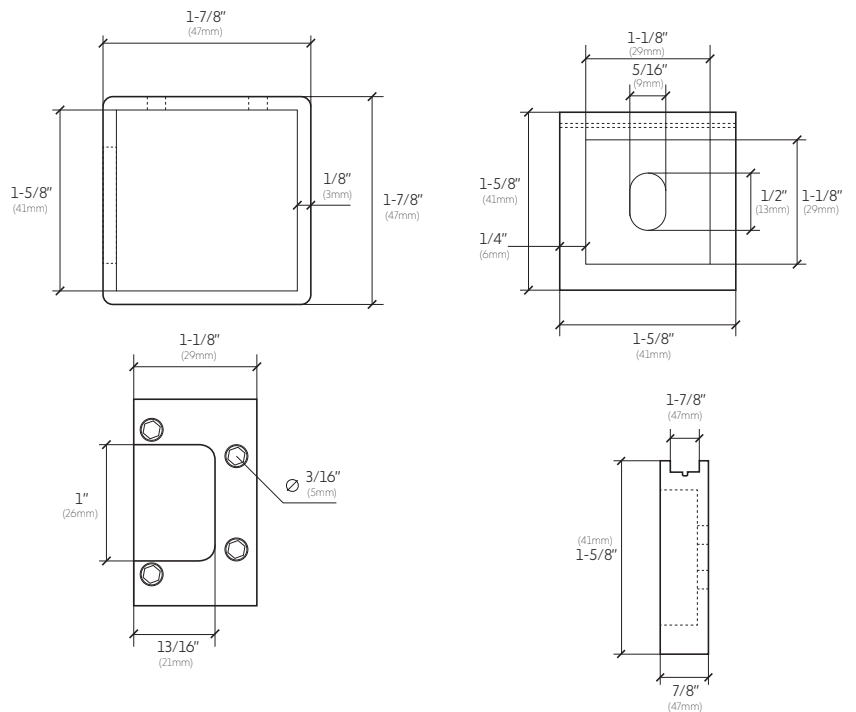
90 Degree Connector for Square Cap Rail

CAT# R120



Wall Anchorage for Square Cap Rail

CAT# R4741



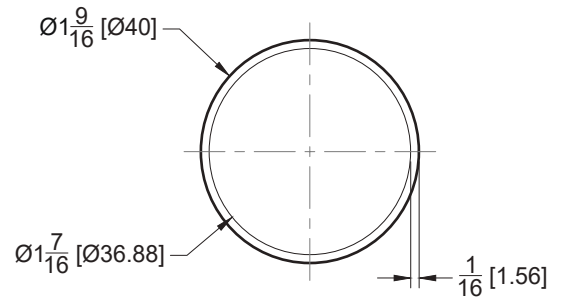
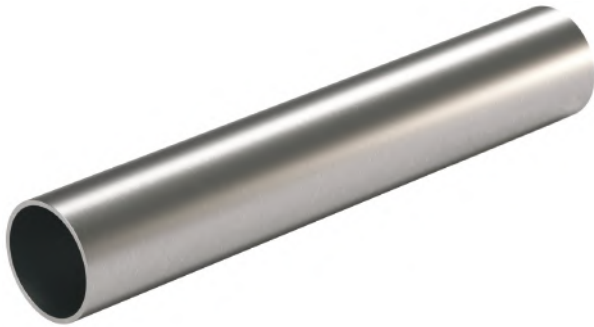
Round Handrail





316L
Stainless
Steel



Round Handrail

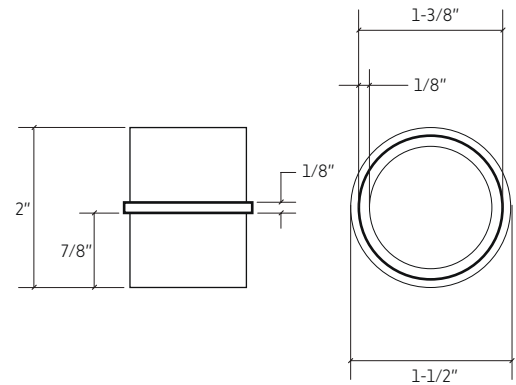
CAT# HRT10 (120") | CAT# HRT20 (220")



- 
Gold Brushed (GBR)
Only HRT10
- 
Brushed Stainless (BS)
- 
Matte Black (MB)
Only HRT20
- 
Polished Stainless (PS)

180 Degree Connector for Round Handrail

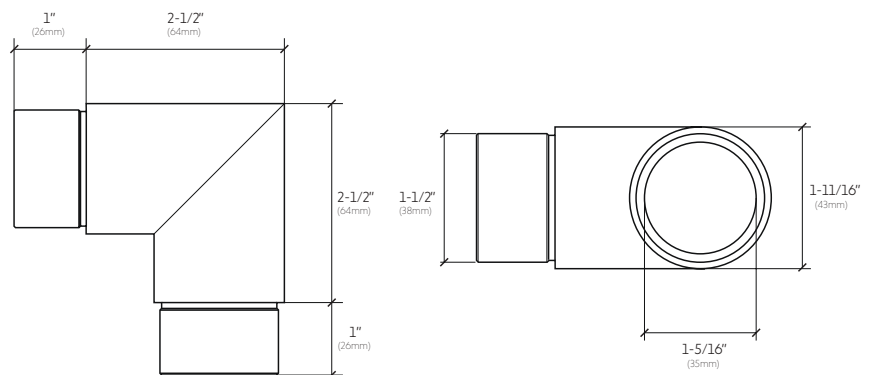
CAT# HRC180



- 
Gold Brushed (GBR)
- 
Brushed Stainless (BS)
- 
Matte Black (MB)
- 
Polished Stainless (PS)

90 Degree Connector for Round Handrail

CAT# R451



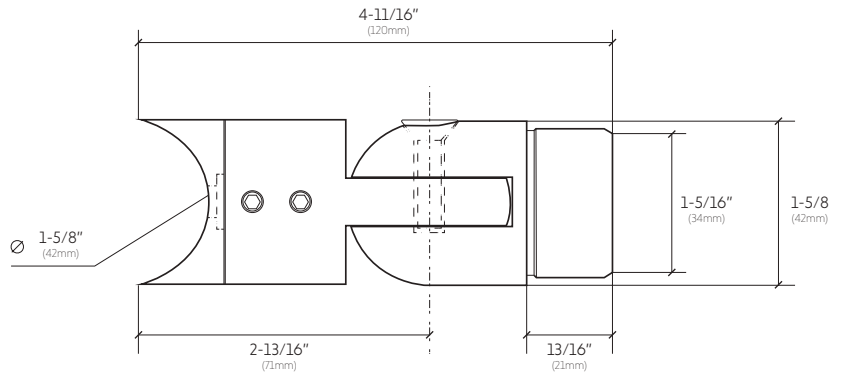
- 
Brushed Stainless (BS)
- 
Gold Brushed (GBR)
- 
Polished Stainless (PS)

Pivotable Connector for Round Handrail to Post

CAT# R0120



Brushed Stainless (BS)

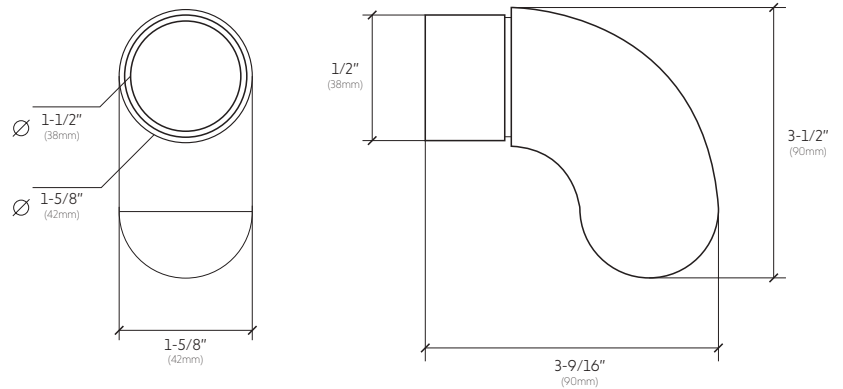


90 Degree Angled End Cap for Round Handrail

CAT# R481



Brushed Stainless (BS)

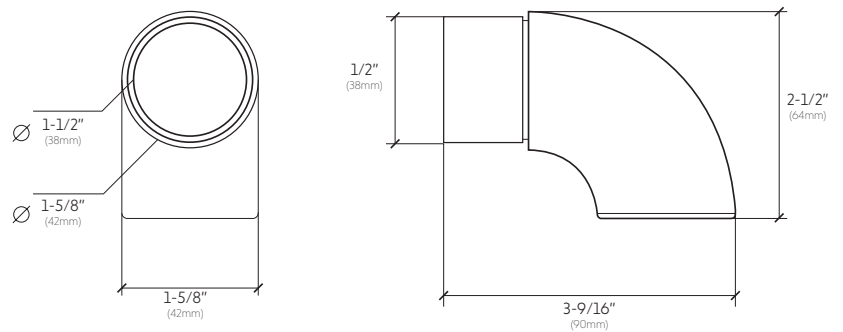


90 Degree Flush Angled End Cap for Round Handrail

CAT# R452

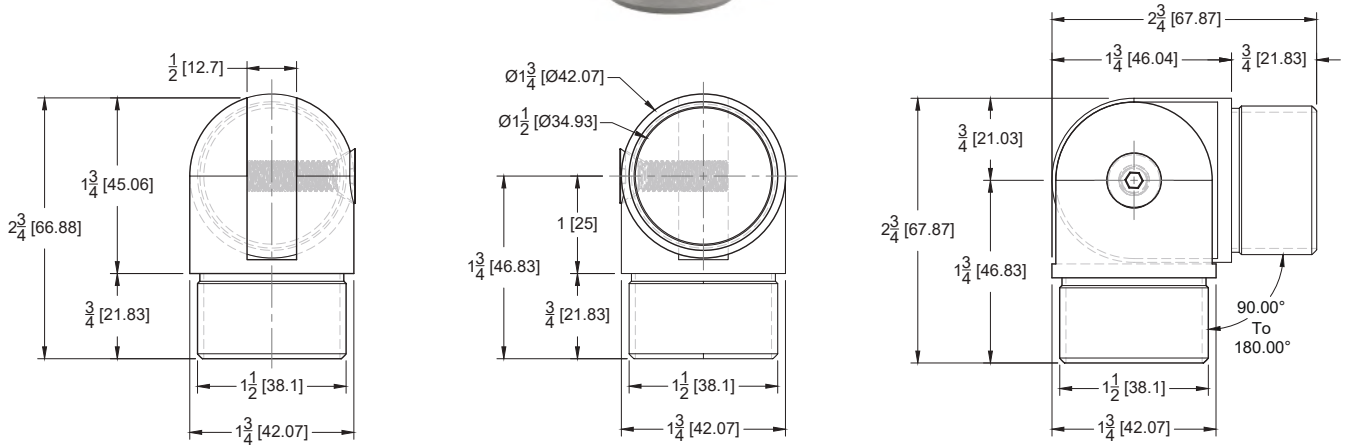


Brushed Stainless (BS)



Adjustable Connector for Round Handrail

CAT# HRCAD




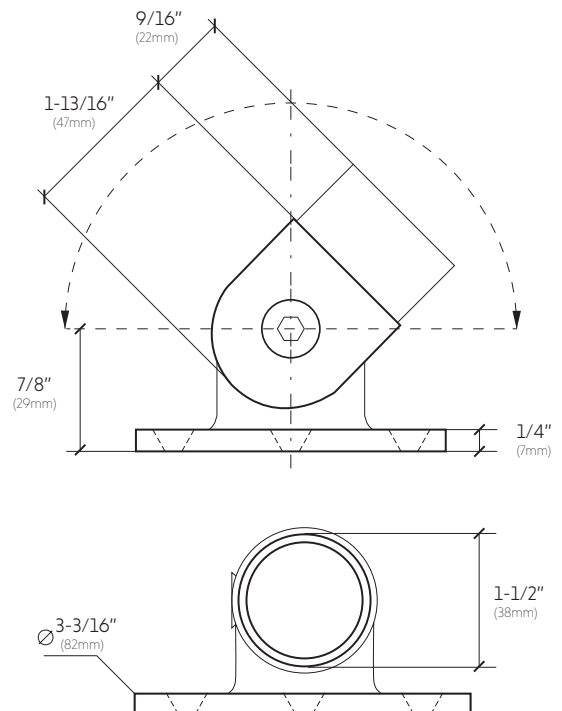
-  Gold Brushed (GBR)
-  Brushed Stainless (BS)
-  Matte Black (MB)
-  Polished Stainless (PS)

Adjustable Anchorage Base for Round Handrail

CAT# R483

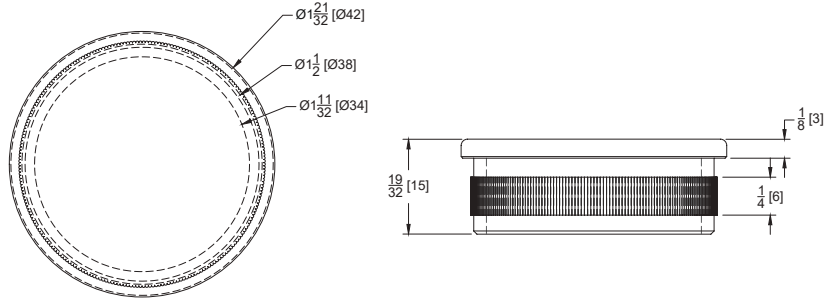


-  Brushed Stainless (BS)



End Cap for Round Handrail

CAT# HRTFC



- Gold Brushed (GBR)
- Brushed Stainless (BS)
- Matte Black (MB)
- Polished Stainless (PS)

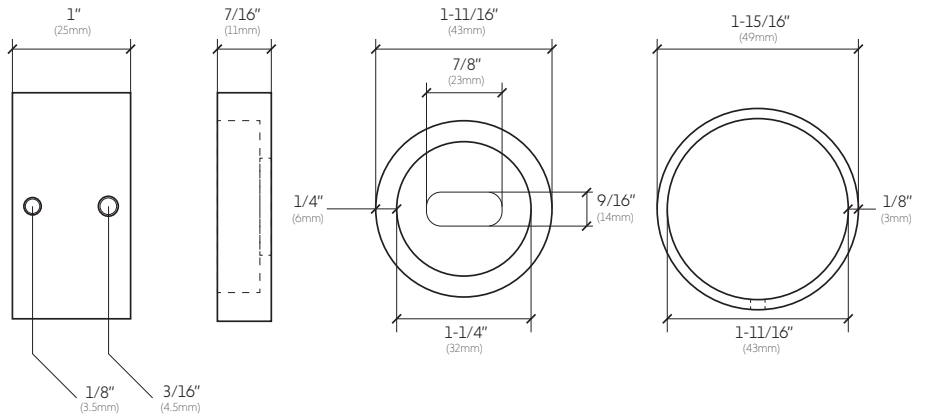
Wall Anchorage For Round Handrail

CAT# R2070

Front



Back



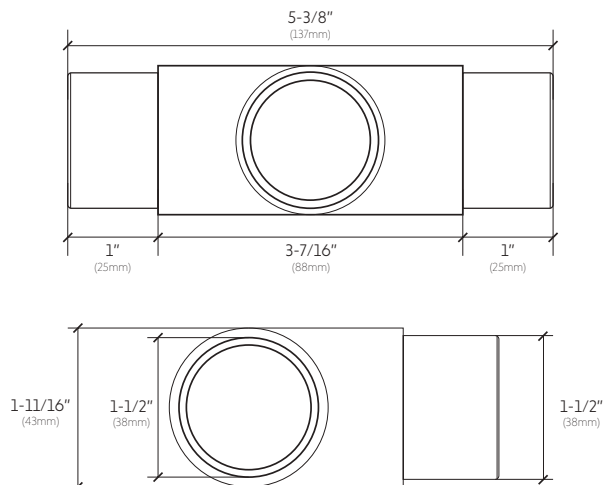
- Gold Brushed (GBR)
- Brushed Stainless (BS)
- Matte Black (MB)
- Polished Stainless (PS)

3-Way "T" Connector for Round Handrail

CAT# R453



- Brushed Stainless (BS)



Round Cap Rail

316L
Stainless
Steel

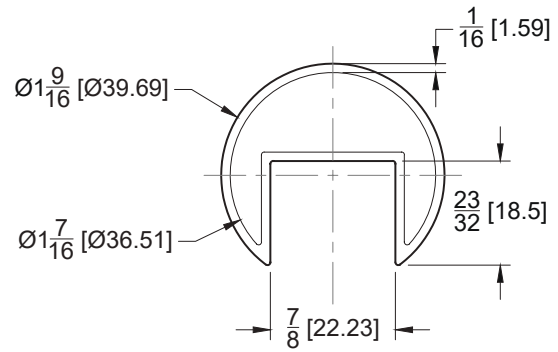
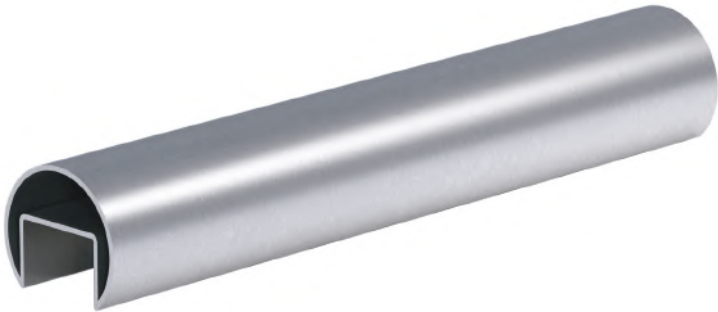
1/2", 9/16" & 13/16"
Laminated glass



Round Cap Rail

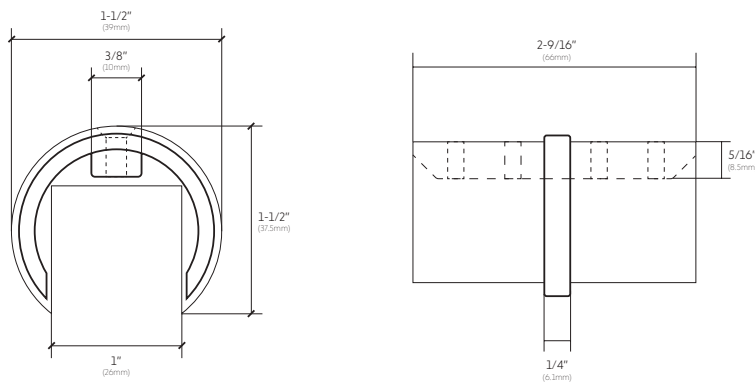
CAT# R424 (120") | CAT# R424-10 (220")

Cap Rail Gasket Required



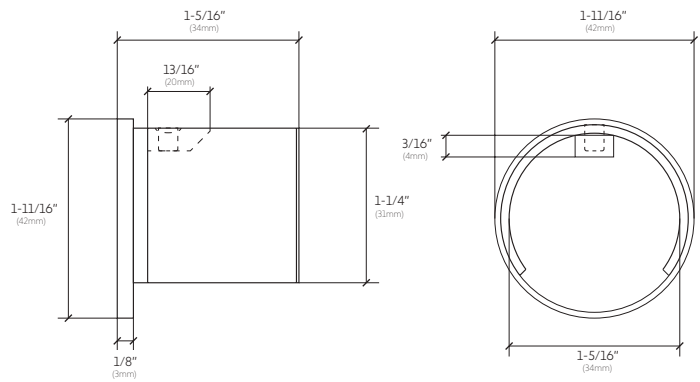
180 Degree Connector for Round Cap Rail

CAT# R100



End Cap for Round Cap Rail

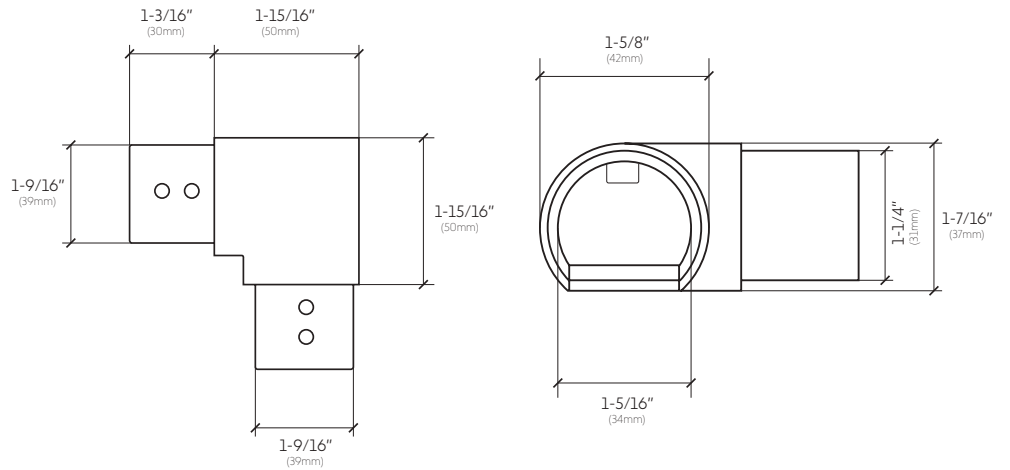
CAT# R1100



- Gold Brushed (GBR)
- Brushed Stainless (BS)
- Matte Black (MB)
- Polished Stainless (PS)

90 Degree Horizontal Connector for Round Cap Rail

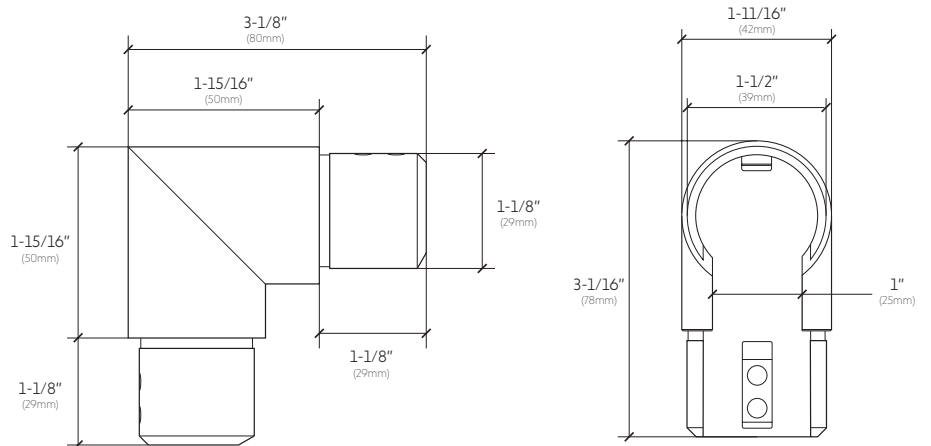
CAT# R1400



- Gold Brushed (GBR)
- Brushed Stainless (BS)
- Matte Black (MB)
- Polished Stainless (PS)

90 Degree Vertical Connector for Round Cap Rail

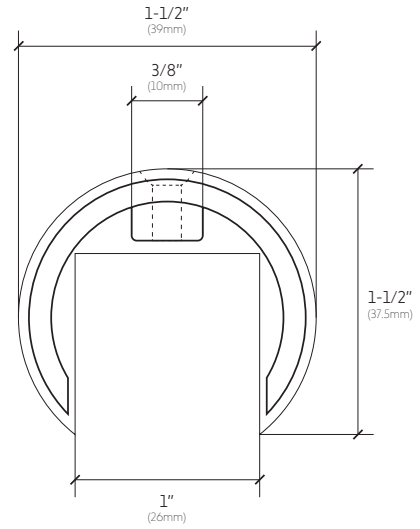
CAT# R0100



- Brushed Stainless (BS)

25-55 Degree Articulated Connector for Round Cap Rail

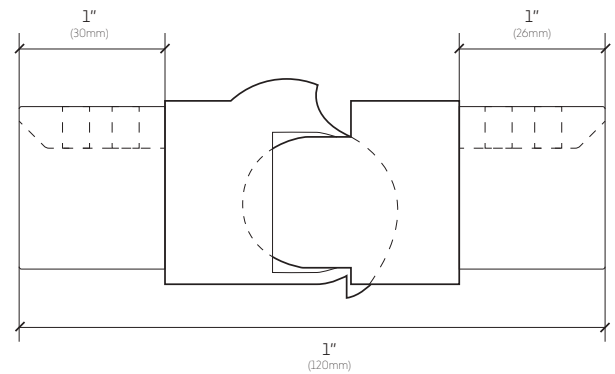
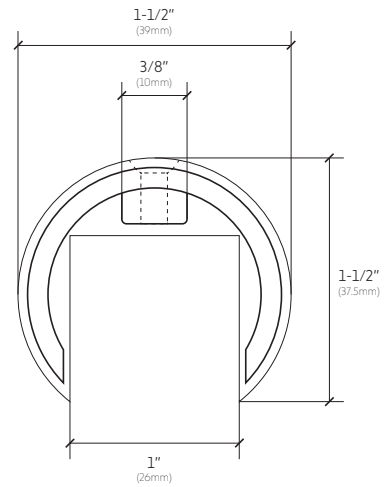
CAT# R1510



-  Gold Brushed (GBR)
-  Brushed Stainless (BS)
-  Matte Black (MB)
-  Polished Stainless (PS)

55 Degree Articulated Connector For Round Cap Rail

CAT# R1520



-  Gold Brushed (GBR)
-  Brushed Stainless (BS)
-  Matte Black (MB)
-  Polished Stainless (PS)

Brackets

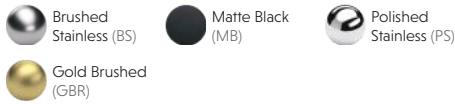
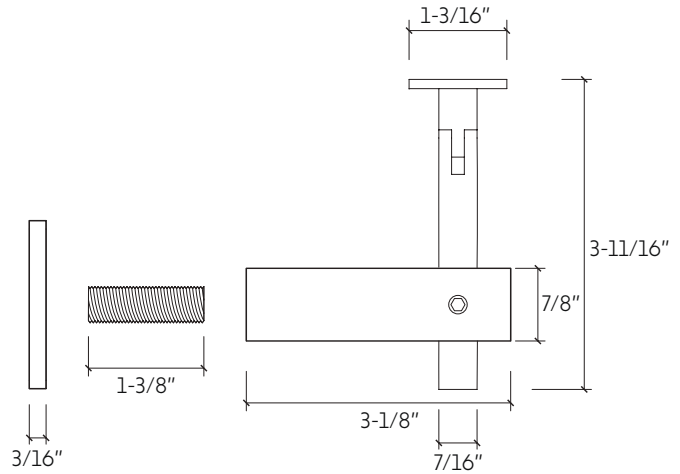
316L
Stainless
Steel



Wall Mounted Adjustable Handrail Bracket, Square

CAT# SQWRBK029

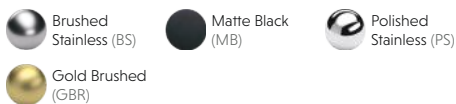
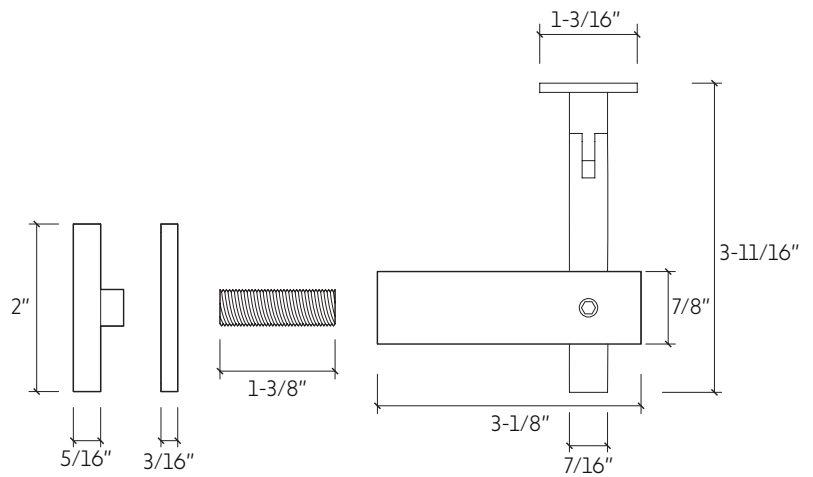
For 3/4" to 7/8" Glass



Glass Mounted Adjustable Handrail Bracket, Square

CAT# SQRBK029

For 9/16" to 13/16" Glass

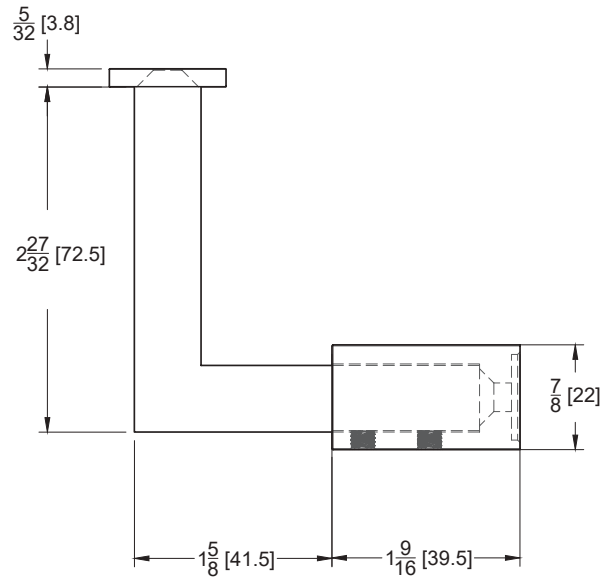


Post Mounted Handrail Bracket, Square

CAT# R4581




 Brushed Stainless (BS)

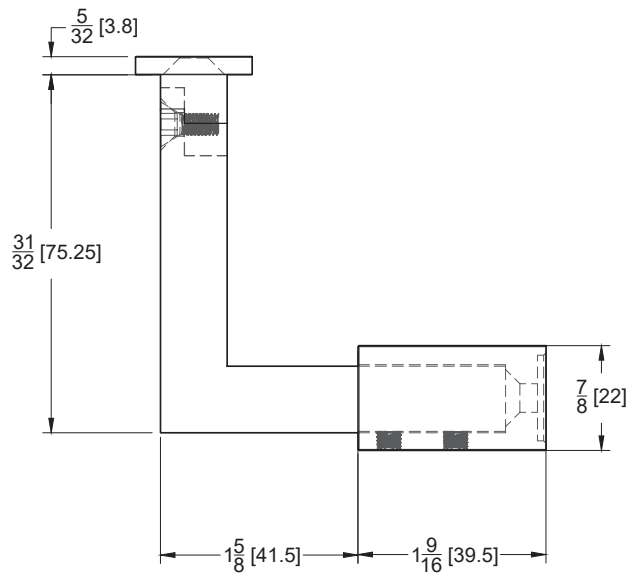


Post Mounted Adjustable Handrail Bracket, Square

CAT# R4584

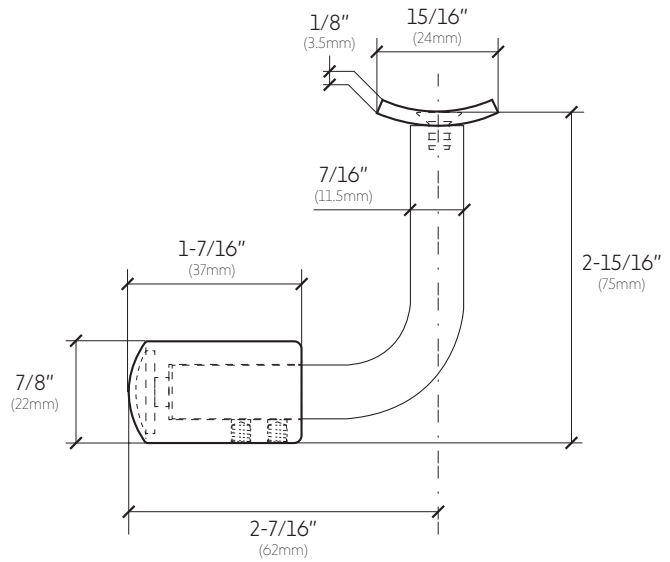


 Brushed Stainless (BS)



Post Mounted Handrail Bracket, Round

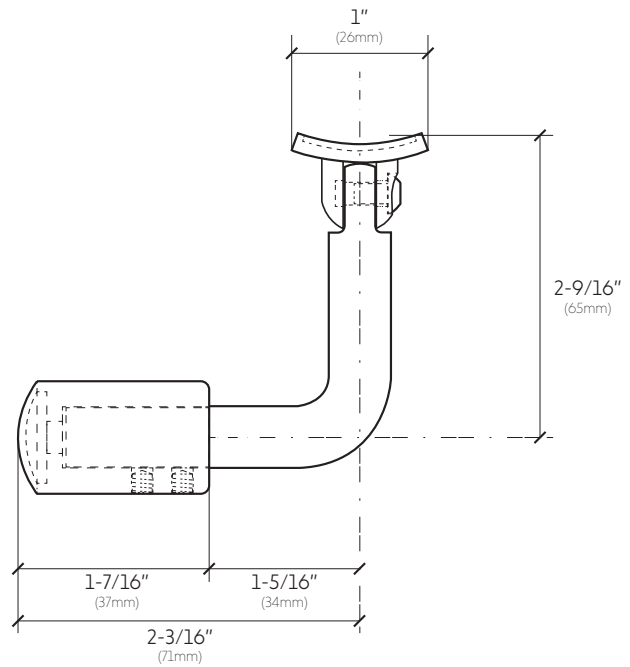
CAT# R3424



-  Brushed Stainless (BS)
-  Matte Black (MB)

Post Mounted Adjustable Handrail Bracket, Round

CAT# R4424



-  Brushed Stainless (BS)



Spare Mounting Plate for Square Handrail

CAT# R196



● Brushed Stainless (BS)

Spare 90 Degree Mounting Plate for Square Handrail

CAT# R970



● Brushed Stainless (BS)


● Polished Stainless (PS)



Spare Mounting Plate for Round Handrail

CAT# R197



 Brushed Stainless (BS)

Spare 90 Degree Mounting Plate for Round Handrail

CAT# R971



 Brushed Stainless (BS)  Polished Stainless (PS)

Blank Posts

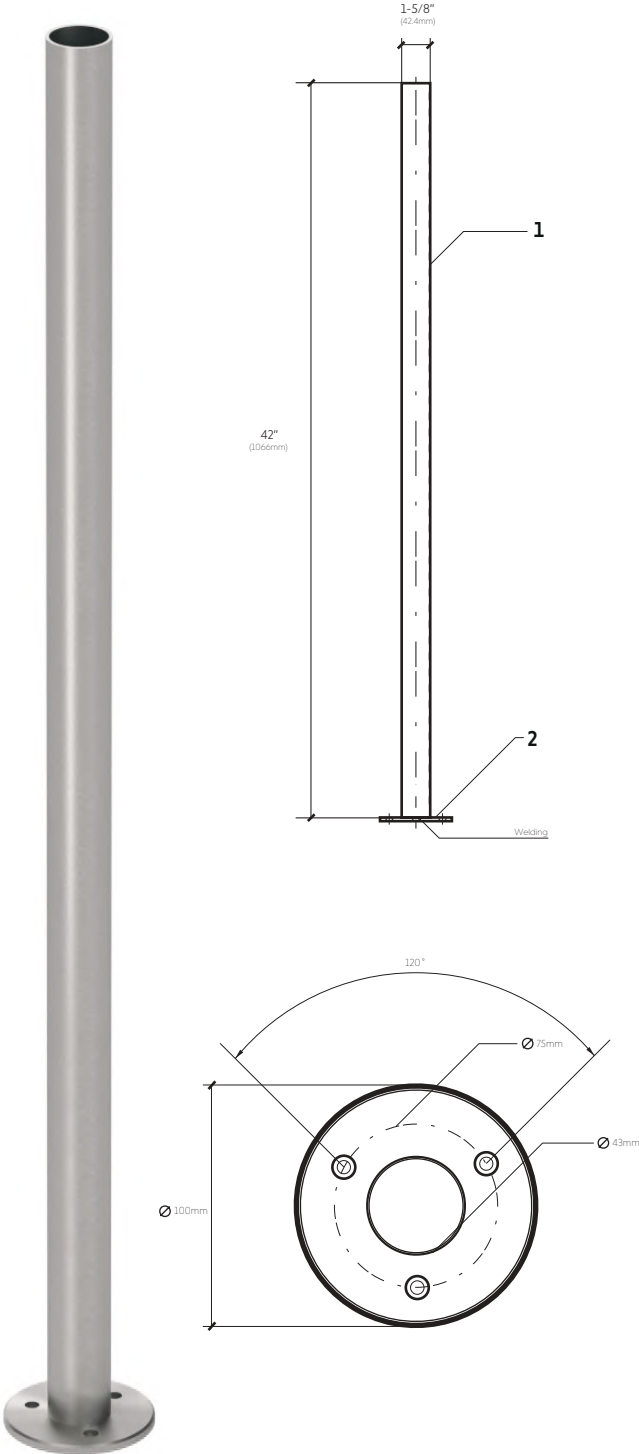
316L
Stainless
Steel





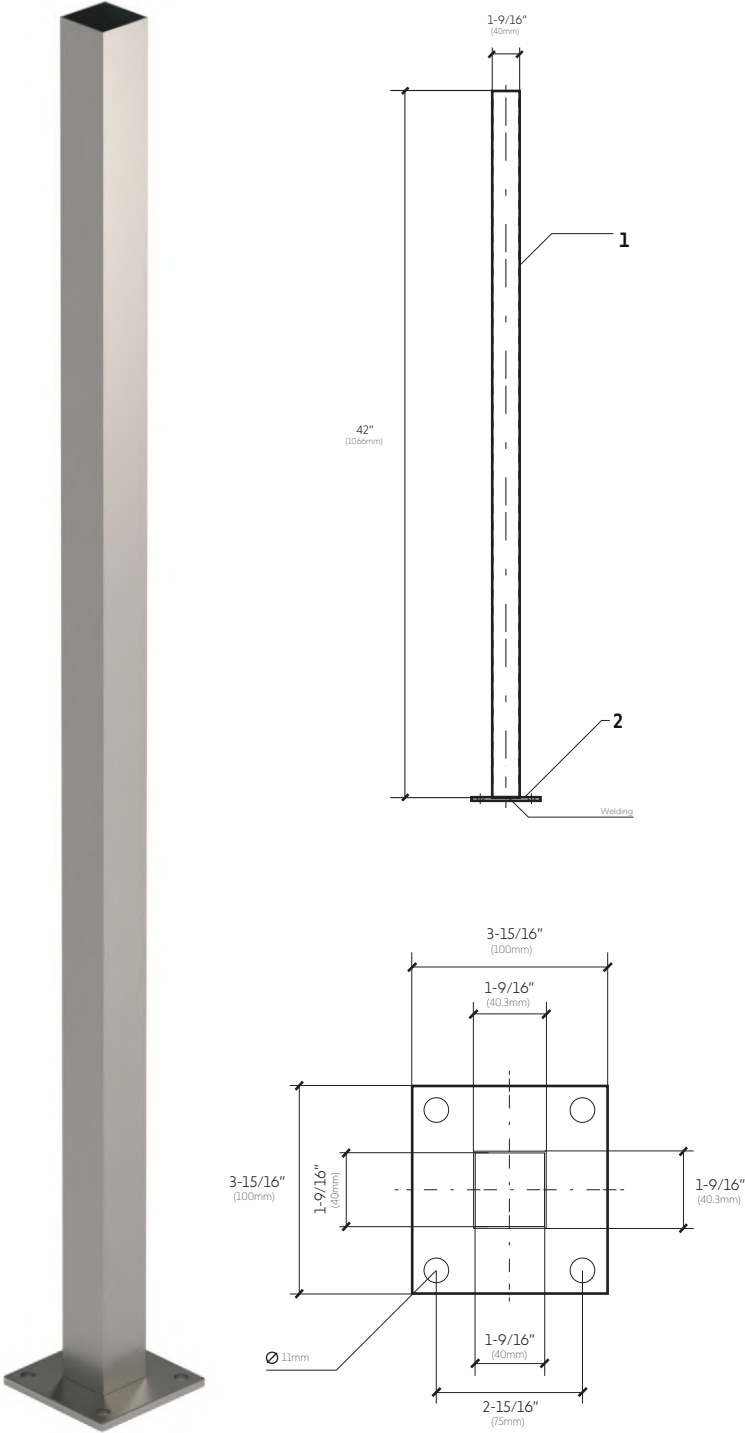
42" Round Blank Post

CAT# PB112X42



42" Square Blank Post

CAT# SQPB112X42

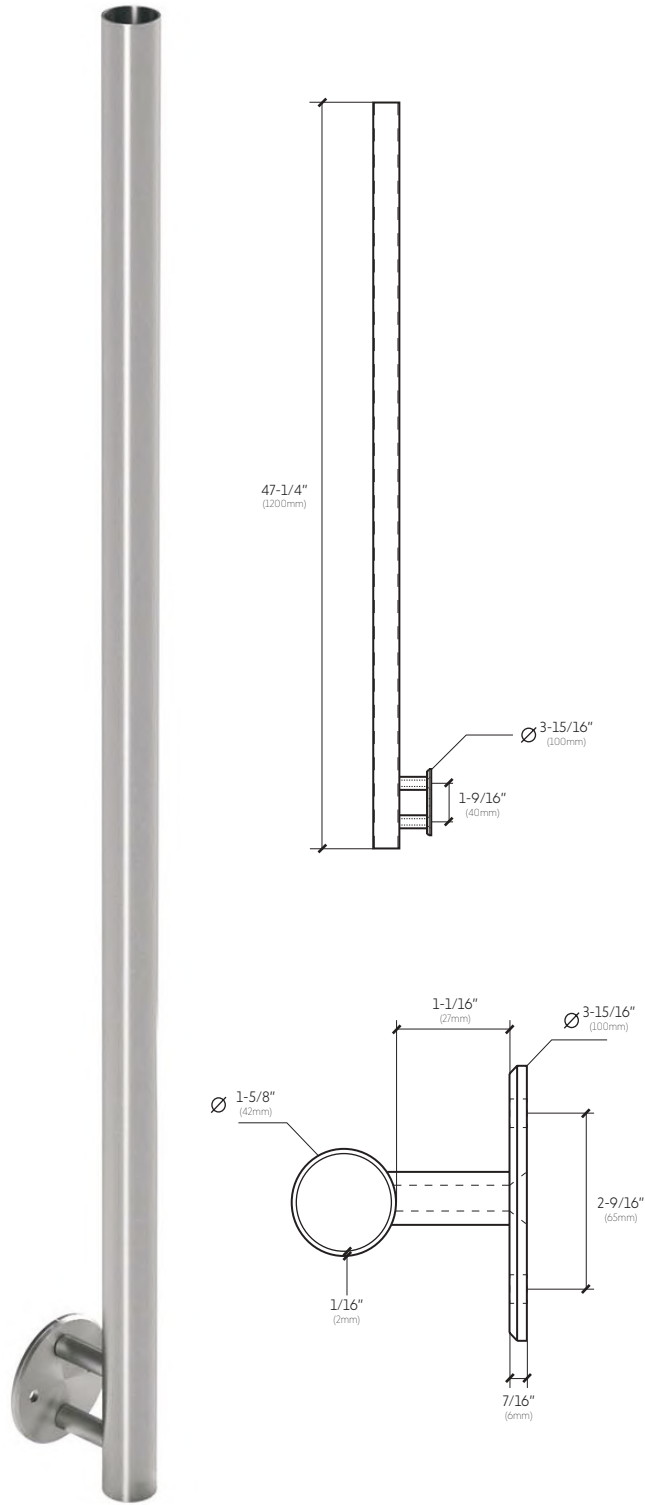


- Brushed Stainless (BS)
- Matte Black (MB)
- Polished Stainless (PS)

- Brushed Stainless (BS)
- Matte Black (MB)
- Polished Stainless (PS)

47-1/4" Round Fascia Mount Post

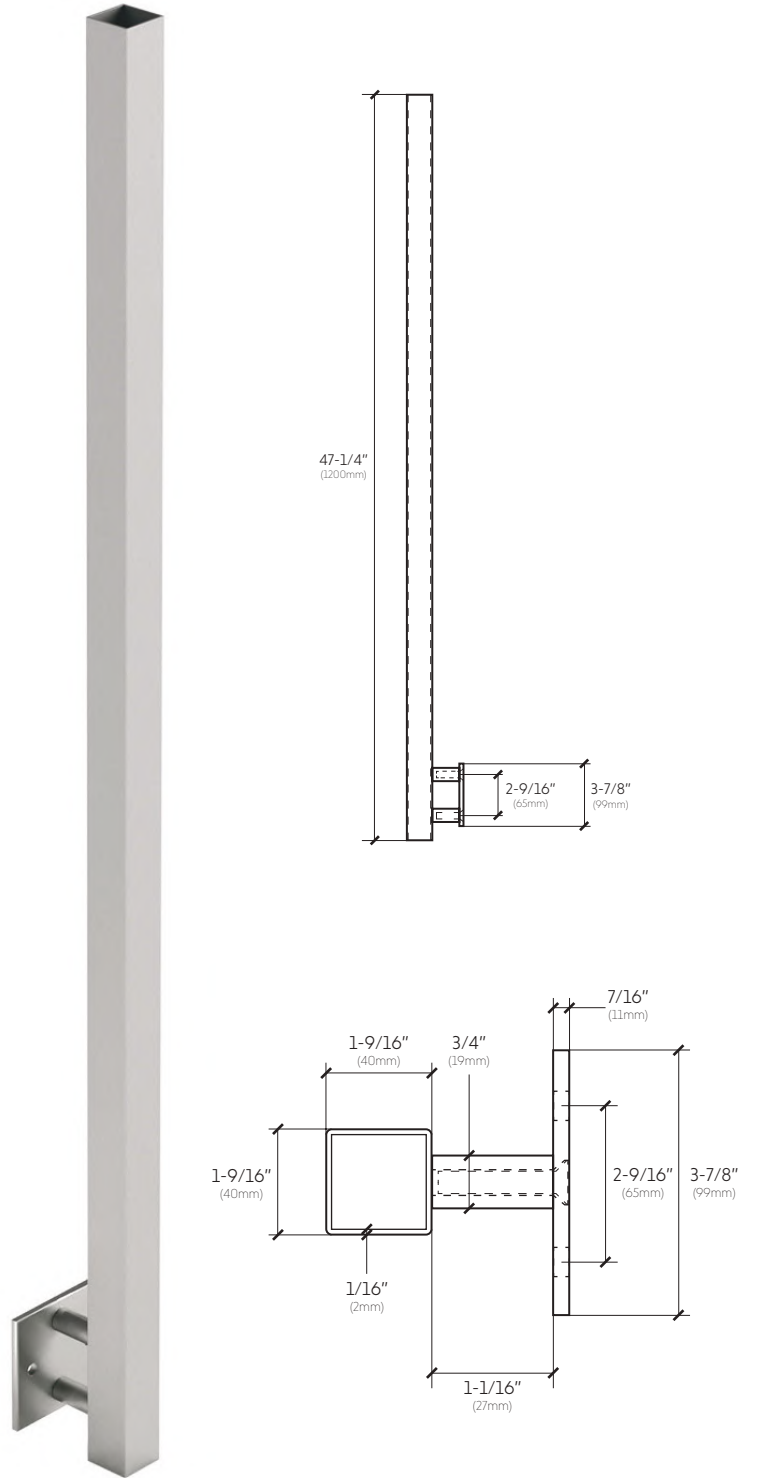
CAT# R0045



-  Brushed Stainless (BS)
-  Matte Black (MB)
-  Polished Stainless (PS)

47-1/4" Square Fascia Mount Post

CAT# R0035

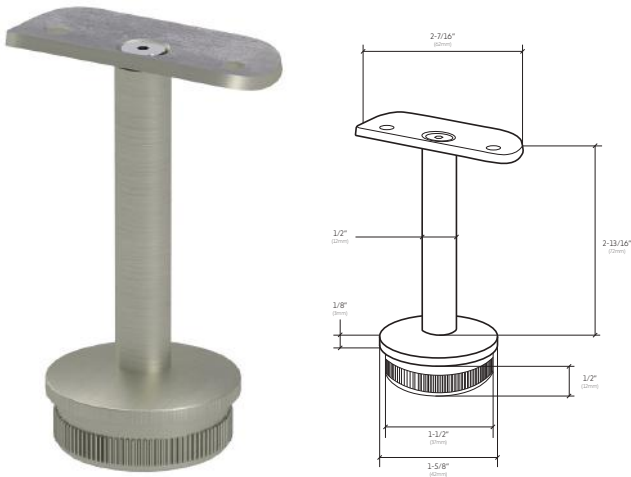


-  Brushed Stainless (BS)
-  Matte Black (MB)
-  Polished Stainless (PS)



Post Mounted Straight Handrail Bracket, Round

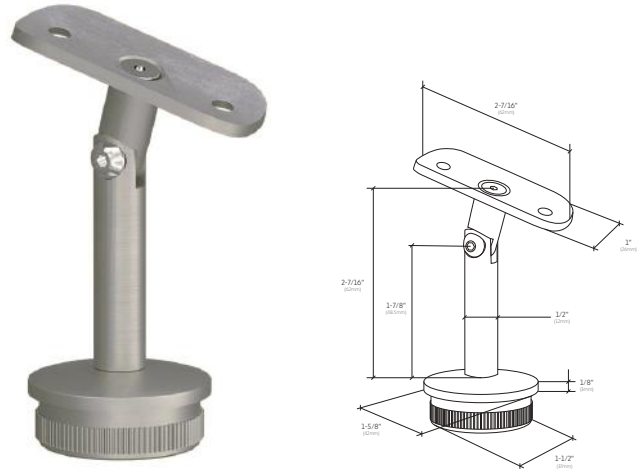
CAT# HRECB



-  Brushed Stainless (BS)
-  Matte Black (MB)
-  Polished Stainless (PS)

Post Mounted Adjustable Straight Handrail Bracket, Round

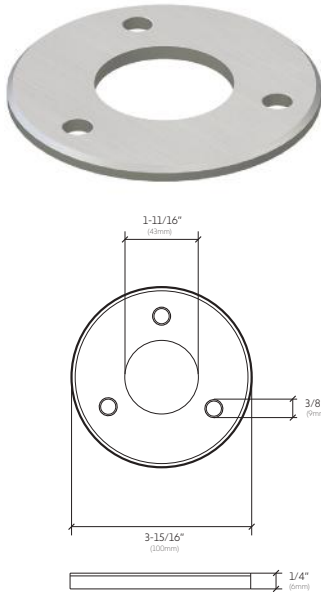
CAT# R030




-  Brushed Stainless (BS)
-  Matte Black (MB)
-  Polished Stainless (PS)

Round Stainless Steel Base Plate

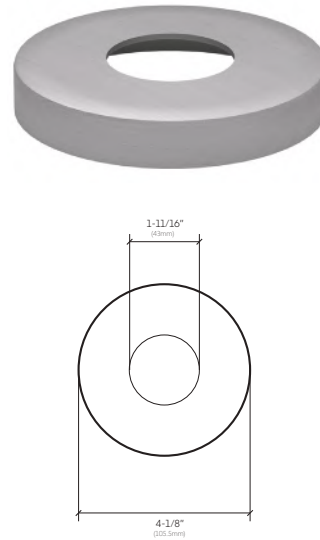
CAT# RPB



-  Brushed Stainless (BS)

Round Flange Cover

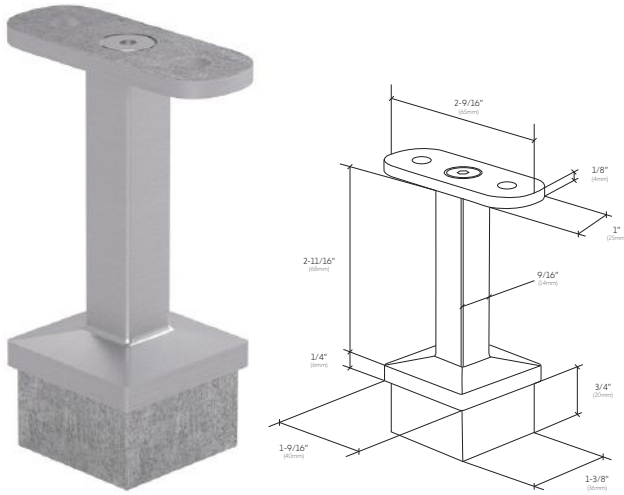
CAT# R4072



-  Brushed Stainless (BS)
-  Matte Black (MB)
-  Polished Stainless (PS)

Post Mounted Straight Handrail Bracket, Square

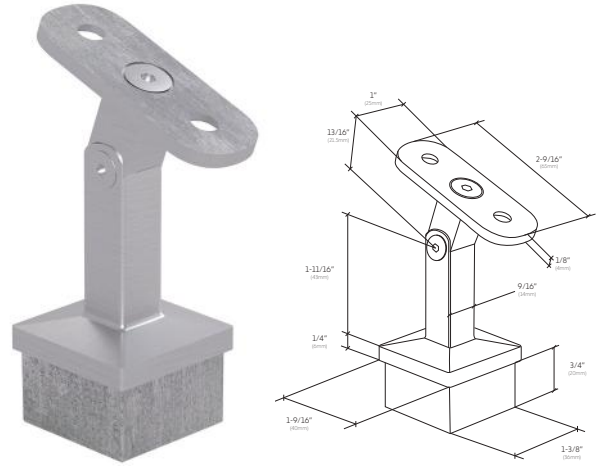
CAT# SQHRECB



-  Brushed Stainless (BS)
-  Matte Black (MB)
-  Polished Stainless (PS)

Post Mounted Adjustable Straight Handrail Bracket, Square

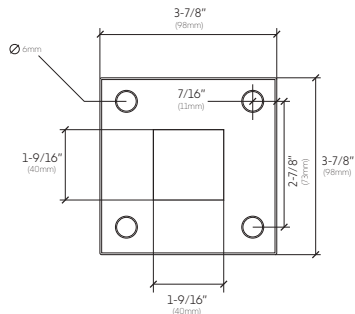
CAT# R037




-  Brushed Stainless (BS)
-  Matte Black (MB)
-  Polished Stainless (PS)

Square Stainless Steel Base Plate

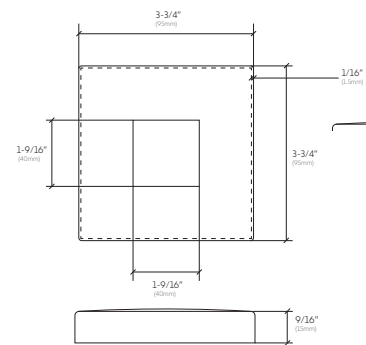
CAT# SQRPB



-  Brushed Stainless (BS)

Square Flange Cover

CAT# R020



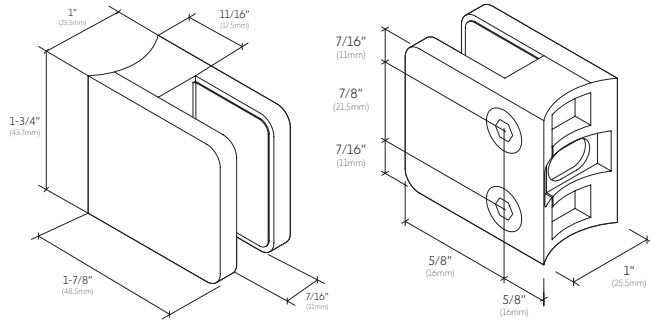
-  Brushed Stainless (BS)
-  Matte Black (MB)
-  Polished Stainless (PS)

Square Glass Clamp for Round Post

CAT# RGC51

3/8" to 1/2"
Tempered glass

W
clamp
type



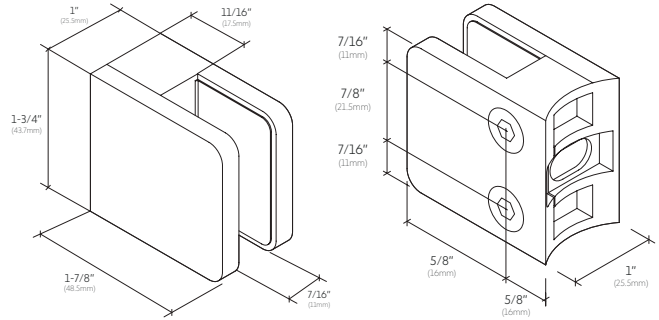
- Brushed Stainless (BS)
- Matte Black (MB)
- Polished Stainless (PS)

Square Glass Clamp for Square Post

CAT# FRGC51

3/8" to 1/2"
Tempered glass

W
clamp
type



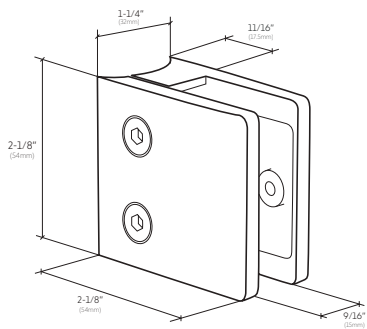
- Brushed Stainless (BS)
- Matte Black (MB)
- Polished Stainless (PS)

Heavy Duty Glass Clamp for Round Post

CAT# RGC51V

9/16" to 13/16"
Laminated glass

X
clamp
type



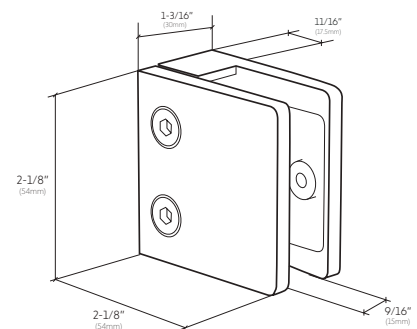
- Brushed Stainless (BS)
- Matte Black (MB)
- Polished Stainless (PS)

Heavy Duty Glass Clamp for Square Post

CAT# FRGC51V

9/16" to 13/16"
Laminated glass

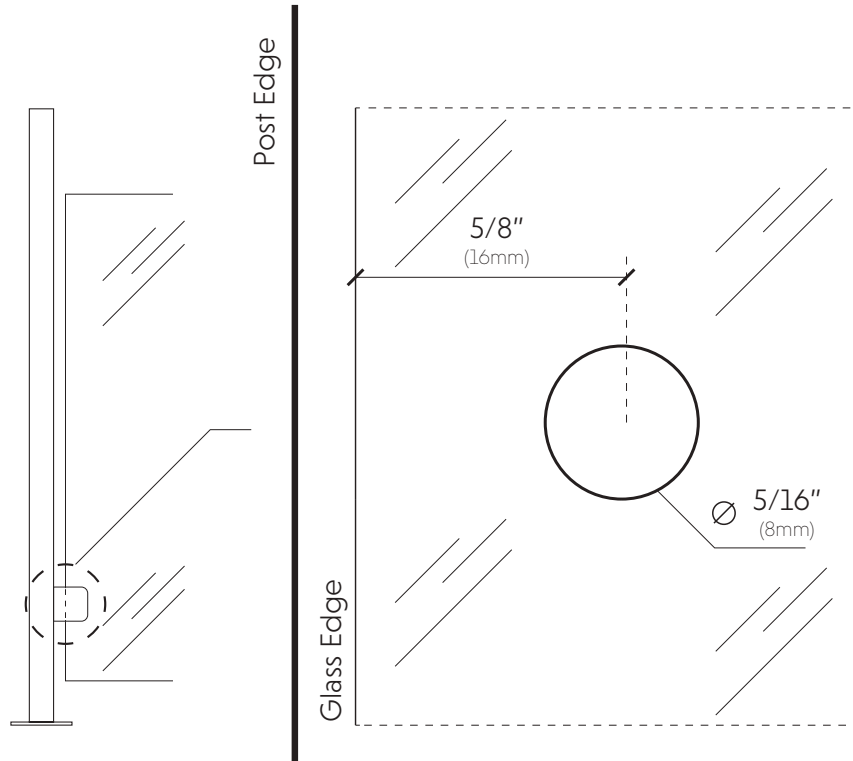
X
clamp
type



- Brushed Stainless (BS)
- Matte Black (MB)
- Polished Stainless (PS)

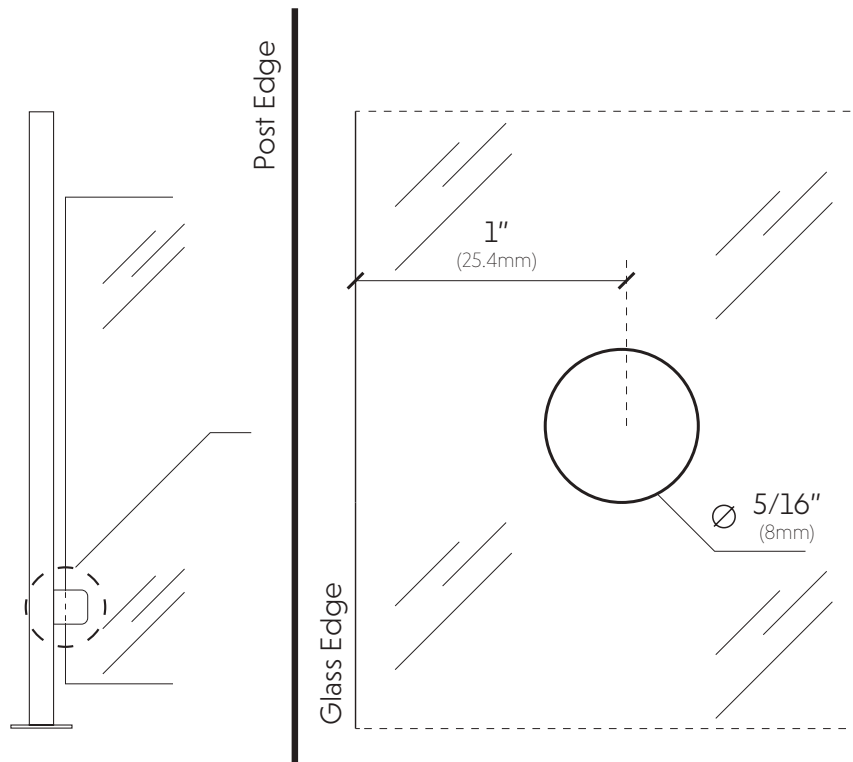
W

clamp type



X

clamp type



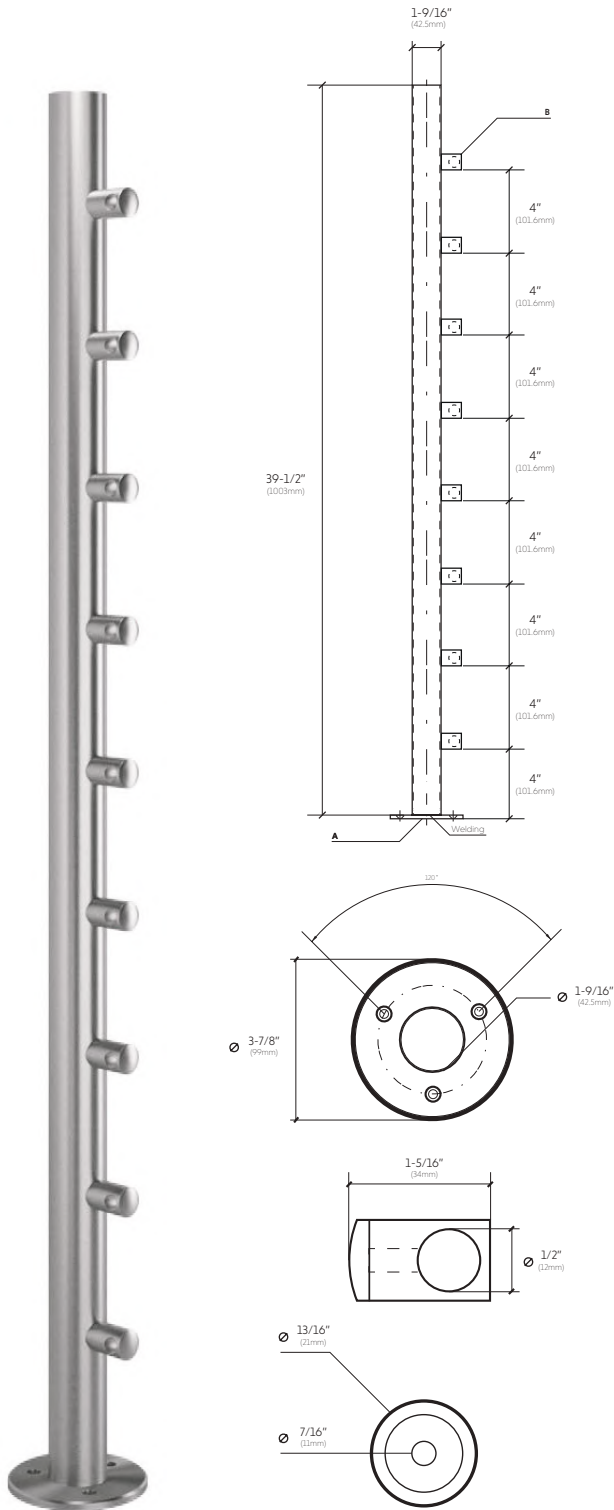
Rods System

316L
Stainless
Steel



39-1/2" Round Pre-assembled Rod Railing Post

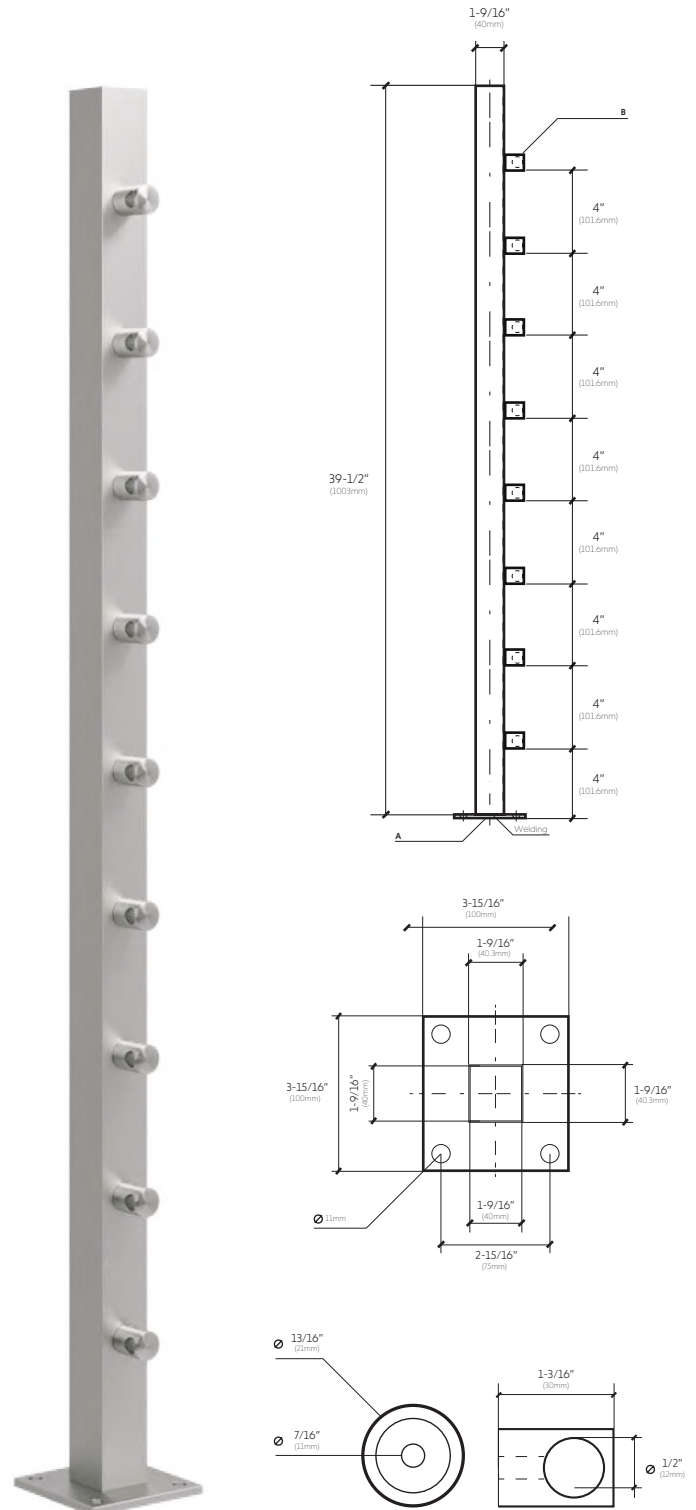
CAT# R1209



 Brushed Stainless (BS)
  Polished Stainless (PS)

39-1/2" Square Pre-assembled Rod Railing Post

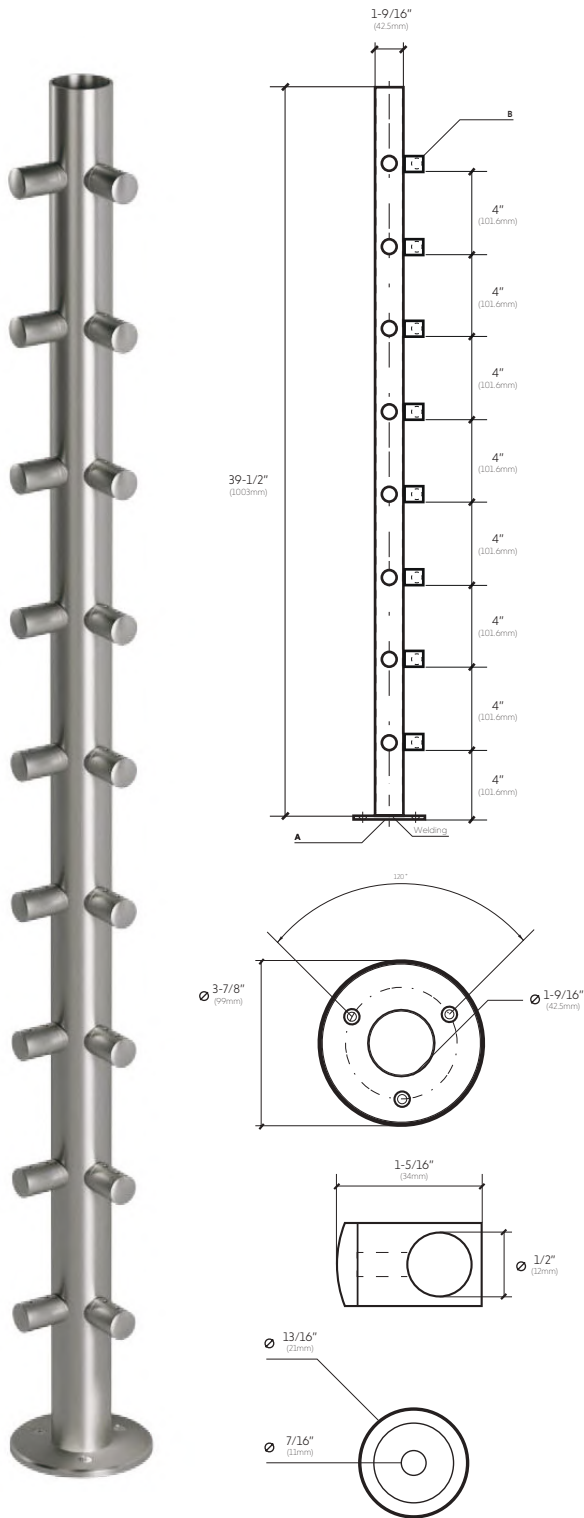
CAT# R4401



 Brushed Stainless (BS)
  Polished Stainless (PS)

39-1/2" Round Pre-assembled Rod Railing Corner Post

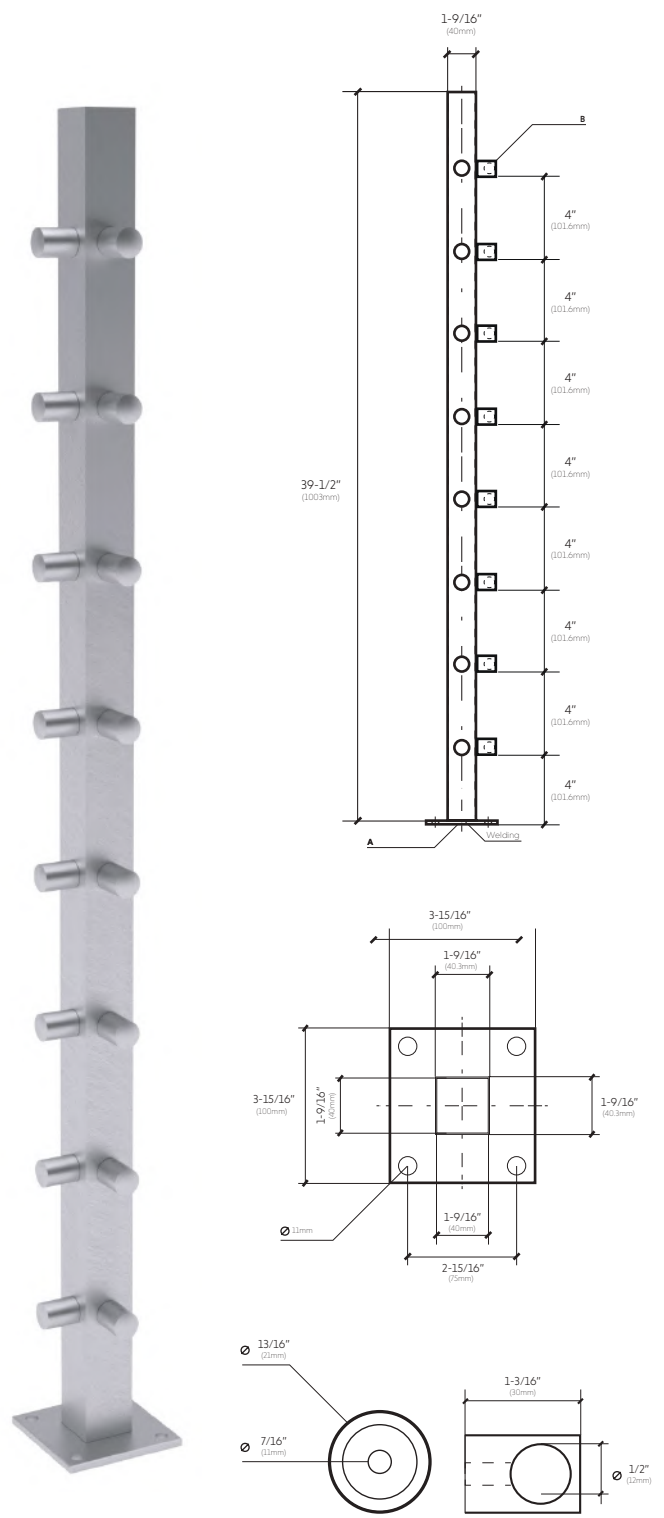
CAT# R1210



 Brushed Stainless (BS)
  Polished Stainless (PS)

39-1/2" Square Pre-assembled Rod Railing Corner Post

CAT# R4402

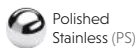
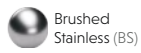
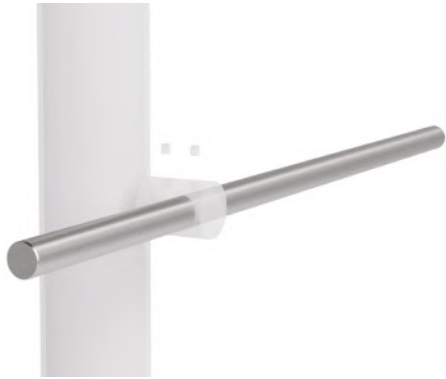


 Brushed Stainless (BS)
  Polished Stainless (PS)



1/2" D. x 19'8" Round Rod

CAT# R4851



Flat Wall Connector

CAT# R0651



Front



Back



Round End Connector

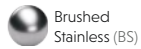
CAT# R6922-L (LEFT) | CAT# R6922-R (RIGHT)



Front



Back



Flat End Connector

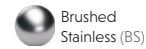
CAT# R4044L (LEFT) | CAT# R4044R (RIGHT)



Front

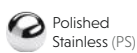
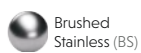


Back



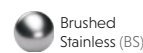
Round Center Connector

CAT# R4042



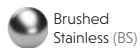
Flat Center Connector

CAT# R4044



Pivotable Round Rod Connector

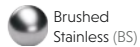
CAT# R0070

**Threaded Insert**

CAT# R92 (M6) | CAT# R93 (M8)

**Pivotable Straight Rod Connector**

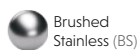
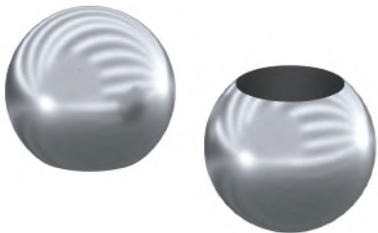
CAT# R0170

**Screw Hexagon Socket Cap (M8)**

CAT# R23

**Sphere with Blind Hole for 1/2" Rod**

CAT# R1261

**Screw Hexagon Socket Countersunk Flat Head (M6)**

CAT# R22



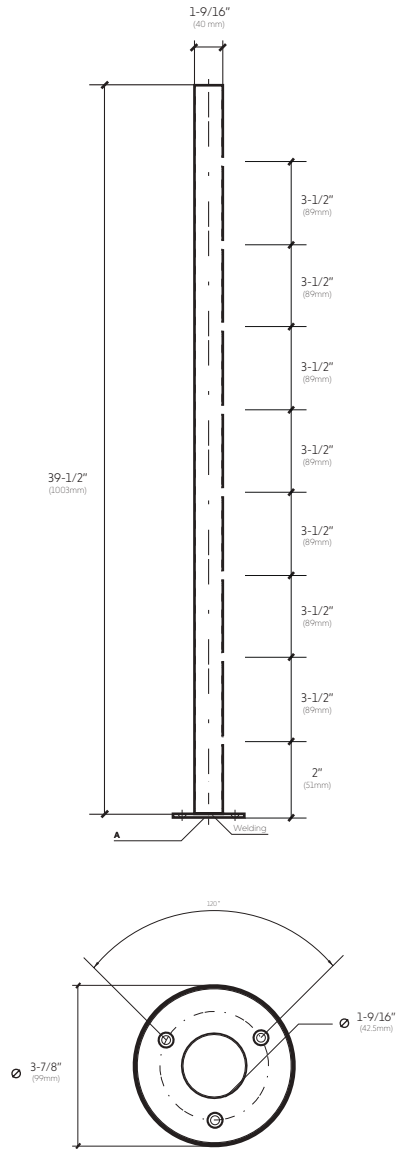
Wire System

316L
Stainless
Steel



39-1/2" Round Pre-drilled Cable Railing Post

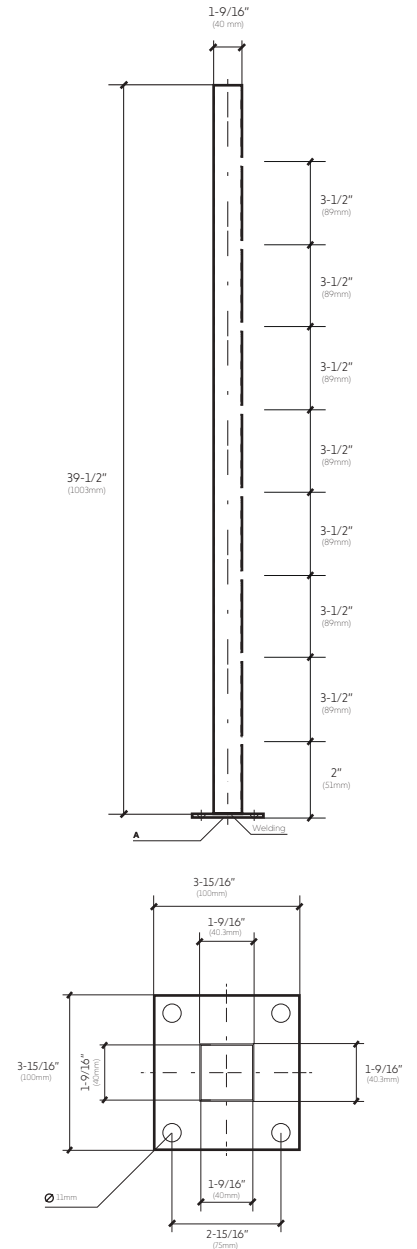
CAT# R0086



-  Brushed Stainless (BS)
-  Matte Black (MB)
-  Polished Stainless (PS)

39-1/2" Square Pre-drilled Cable Railing Post

CAT# R0047



-  Brushed Stainless (BS)
-  Matte Black (MB)
-  Polished Stainless (PS)

3/16" Stainless Steel Cable, 328 ft. Roll

CAT# R705



"Dome" Head Nut (M6)

CAT# R06R



Threaded Terminal

CAT# R05R (RIGHT) | CAT# R05L (LEFT)



Right/Left Threaded Tensional Body

CAT# R07



Beveled Washer

CAT# R071 (ROUND POST) | R073 (SQUARE POST)



"Button" Head Terminal

CAT# R04



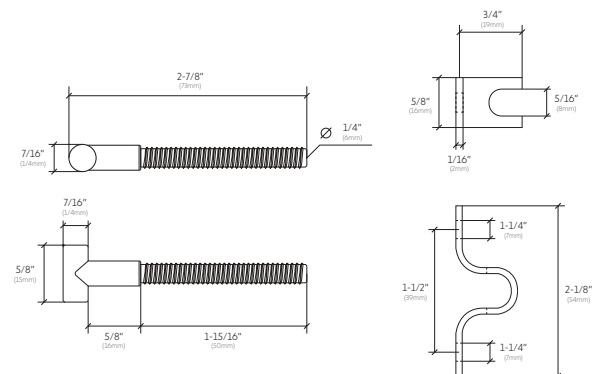
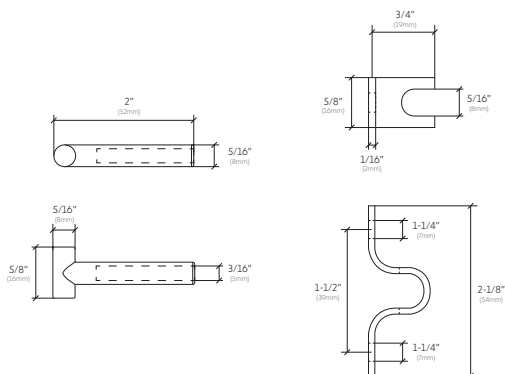
Wall Mount Support Terminal

CAT# R08



Wall Mount Support Threaded Terminal

CAT# R09





Spigots

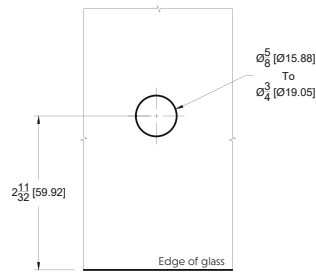
316L
Stainless
Steel

9/16" to 13/16"
Laminated glass

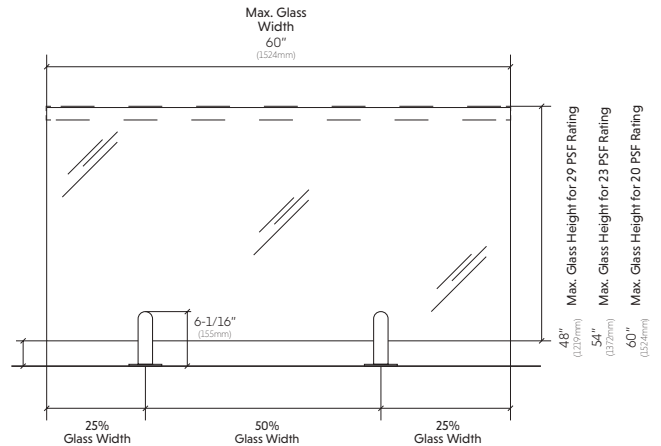


316L Stainless Steel Round Spigot

CAT# R600



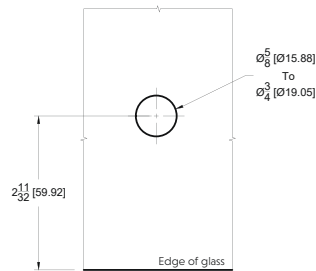
- Brushed Stainless (BS)
- Matte Black (MB)
- Polished Stainless (PS)



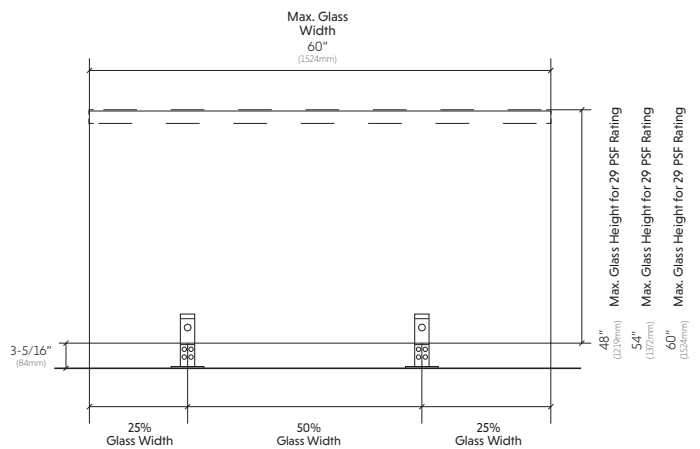
*Glass panel should not exceed 60" x 60"

316L Stainless Steel Square Spigot

CAT# R210



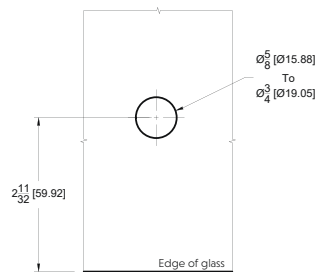
- Brushed Stainless (BS)
- Matte Black (MB)
- Polished Stainless (PS)



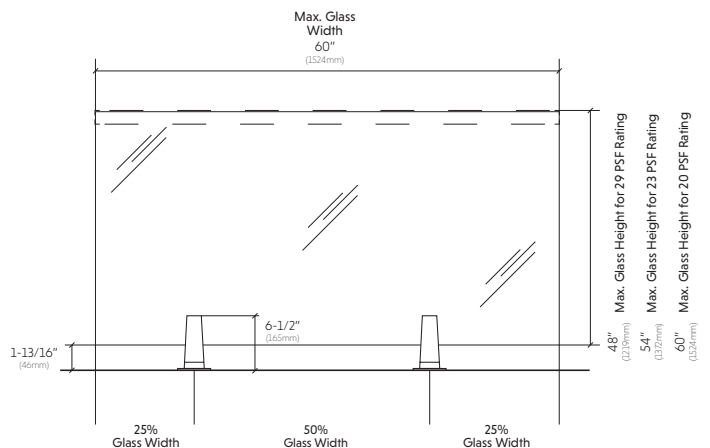
*Glass panel should not exceed 60" x 60"

316L Stainless Steel Chameleon Spigot

CAT# R360



- Brushed Stainless (BS)
- Matte Black (MB)
- Polished Stainless (PS)



*Glass Panel should not exceed 60" x 60"



Glazing Supplies



Installation and Cutting Tools	222
Drill Bits	226
Acrylics and Plastics	227

Installation and Cutting Tools

CRL Polishing Oil
CAT# CRL-920



General Purpose Gloves
CAT# 66NF-10



Mirror Edge Sealer
CAT# ES3



**Zinc Cap Assembly
Spanner Wrench**
CAT# SSW12-CRL



**8" Pump-Up Lifter for
180 lb. with ABS Handle**
CAT# S107



**8" Pump-Up Lifter for
340lb. with Metal Handle**
CAT# S108



**Heavy Duty Triple
Vacuum Cup**
CAT# TVC-03



**Armored Corner
Protector**
CAT# ACP12 (1/2" | ORANGE)
CAT# ACP14 (1/4" | RED)
CAT# ACP38 (3/8" | GREEN)



IGT Foam Glass Cleaner
CAT# IGTFC



**Backup Pad for 6"
Stick-On Sanding Discs**
CAT# PAD6



**6" Stick-On
Sanding Discs**
CAT# PSA-680 (80 GRIT)
CAT# PSA-6120 (120 GRIT)
CAT# PSA-6400 (400 GRIT)
50 pieces



High Gluing Adhesive
CAT# R4054 (50 ML)



Palmer Mirro-Mastic®
CAT# PM201-CRL (1 GAL)



CRL Mildew Resistant Clear Silicone Sealant
CAT# 33SMRC



Xtragrip® Mirror Adhesive
CAT# XG600



Soudasil RTV3 Mildew Resistant Clear Silicone Sealant
CAT# RTV3



Towel Paper Roll
CAT# 903



CRL Hi-SHEEN® Glass Cleaner
CAT# HISH-CRL



CRL Bio-Clean Water Stain Remover
CAT# WSRI-CRL



High Viscosity Ultraviolet Adhesive
CAT# UV70330-CRL (30 G)



CRL Clear Acrylic Very Hi-Bond Adhesive Tape, 1/4" x 0.040" x 36'
CAT# AT0401436-CRL



Black Double-Sided Foam Tape, 1/16" x 3/8"
CAT# 982116X38BL-CRL



Wood Shims
CAT# WS12
12 pieces



Scott® Rags In A Box™
CAT# 904



Glass Scalloping Tool

CAT# TH-1101



General Glass Plier

CAT# TH-1103



Drilling Template Tool for Round Tube

CAT# R580



Base Shoe Wedge Tool

CAT# R88



Manual Crimping Tool

CAT# R685



Shearing Tool for Wire Ropes (Cable Cutter)

CAT# R690



Hand Rail Manual Tool Riveter

CAT# HRMTR



Power Breaker Glass Pliers

CAT# TH-1109



IGT Adjustable Wrench

CAT# IGT-WRT



Toyo Glass Cutter with Auto Oil Feed System

CAT# GC-023



Head Replacement for Toyo Glass Cutter

CAT# GC-023B



Diamantor® Glass Cutter with Wooden Handle

CAT# 2001



Silberschnitt® 6-Wheel Glass Cutter

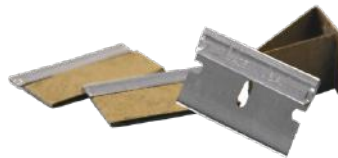
CAT# DC100



Single Edge Razor Blades

CAT# 51S

100 pieces



Adjustable Strap Wrench

CAT# ASW12-CRL



Glass Circle Cutter with Rotary Head

CAT# TD-8857-200



Vacuum Cup Replacement for Glass Circle Cutter

CAT# TD-1152



Head Assembly Replacement for Glass Circle Cutter

CAT# TD-1151



Drill Bits

Threaded Diamond Drill Bits

Long shaft drill bits contain "L" in Cat#



Ø DIAMETER

CAT# TD-14	1/4"	6.35 mm
CAT# TD-14-L	1/4"	6.35 mm
CAT# TD-38	3/8"	9.52 mm
CAT# TD-38-L	3/8"	9.52 mm
CAT# TD-12	1/2"	12.7 mm
CAT# TD-12-L	1/2"	12.7 mm
CAT# TD-58	5/8"	15.88 mm
CAT# TD-58-L	5/8"	15.88 mm
CAT# TD-34	3/4"	19.05 mm
CAT# TD-34-L	3/4"	19.05 mm
CAT# TD-1	1"	25.4 mm
CAT# TD-1-L	1"	25.4 mm
CAT# TD-118	1-1/8"	28.57 mm
CAT# TD-118-L	1-1/8"	28.57 mm
CAT# TD-134	1-3/4"	44.45 mm
CAT# TD-134-L	1-3/4"	44.45 mm
CAT# TD-178	1-7/8"	47.62 mm
CAT# TD-178-L	1-7/8"	47.62 mm
CAT# TD-2	2"	50.8 mm
CAT# TD-2-L	2"	50.8 mm
CAT# TD-214	2-1/4"	57.15 mm
CAT# TD-214-L	2-1/4"	57.15 mm
CAT# TD-212	2-1/2"	63.5 mm
CAT# TD-212-L	2-1/2"	63.5 mm

Premium Steel Drill Bits



Ø DIAMETER

CAT# KFDSET	1/16" to 1/2"	1.59 to 12.7 mm
CAT# KFD316	3/16"	4.76 mm
CAT# KFD14	1/4"	6.35 mm
CAT# KFD516	5/16"	7.94 mm
CAT# KFD38	3/8"	9.52 mm
CAT# KFD12	1/2"	12.7 mm

Sintered Diamond Drill Bits



Ø DIAMETER

CAT# SD-4	4"	101.6 mm
CAT# SD-3	3"	76.2 mm
CAT# SD-234	2-3/4"	69.85 mm
CAT# SD-212	2-1/2"	63.5 mm
CAT# SD-214	2-1/4"	57.15 mm
CAT# SD-2	2"	50.8 mm
CAT# SD-134	1-3/4"	44.45 mm
CAT# SD-112	1-1/2"	38.1 mm
CAT# SD-114	1-1/4"	31.55 mm
CAT# SD-1	1"	25.4 mm
CAT# SD-34	3/4"	19.05 mm
CAT# SD-58	5/8"	15.88 mm
CAT# SD-12	1/2"	12.7 mm
CAT# SD-38	3/8"	9.52 mm
CAT# SD-14	1/4"	6.35 mm
CAT# SD-532	5/32"	3.97 mm

Sintered Countersink Drill Bits



Ø DIAMETER

CAT# SC-1	1"	25.4 mm
CAT# SC-112	1-1/2"	38.1 mm

Carbide Spear Point Drill Bits



Ø DIAMETER

CAT# SP14	1/4"	6.35 mm
CAT# SP316	3/16"	4.76 mm

Acrylics and Plastics

1-Gang Toggle Acrylic Mirror Switch Plate

CAT# AMP-11



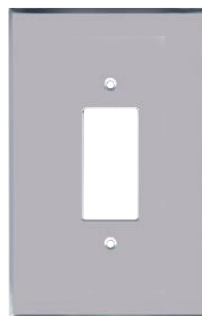
1-Gang Acrylic Mirror Switch Plate

CAT# AMP-12



1-Gang Acrylic Mirror Switch Plate, Jumbo

CAT# AMP-12J



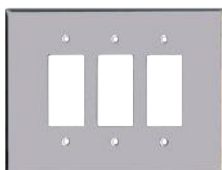
2-Gang Acrylic Mirror Switch Plate

CAT# AMP-22



3-Gang Acrylic Mirror Switch Plate

CAT# AMP-32



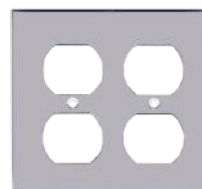
1-Gang Duplex Acrylic Mirror Switch Plate

CAT# AMP-13



2-Gang Duplex Acrylic Mirror Switch Plate

CAT# AMP-23



Plastic Screw Anchor 1/4" Hole x 1-1/4"

CAT# PAM5X60

500 pieces



Plumb/Level Finder Gauge

CAT# PLF1-CRL



Clear Plastic Setting Blocks

CAT# SB-040 (1/16") | CAT# SB-250 (1/4") | CAT# SB-125 (1/8")

CAT# SB-375 (3/8") | CAT# SB-156 (5/32")



Clear Plastic Desk Buttons


CAT# CP8-CRL




Our Locations




West Palm Beach

 **Monday to Friday**
7:00 a.m. - 4:00 p.m.
Saturday and Sunday
Closed

 **8460 Belvedere Road,
Unit B1**
West Palm Beach, FL
33411

 **(561) 800-1545**

Orlando

 **Monday to Friday**
7:00 a.m. - 4:00 p.m.
Saturday and Sunday
Closed

 **1700 35th Street**
Orlando, FL 32839

 **(407) 439-1687**



Miami

We've moved!



Come visit us at our new headquarters



Monday to Friday
7:00 a.m. - 4:00 p.m.
Saturday
8:00 a.m. - 12:00 p.m.
Sunday
Closed



10101 NW 79th Avenue
Hialeah Gardens 33016



(877) 658-9008

Conversion Chart

THIS CONVERSION CHART WILL BE USEFUL TO MAKE YOUR CALCULATION EASIER.

EXAMPLE:

$$59-5/16'' - 1-3/4'' = 57-9/16''$$

$$59.3125 - 1.75 = 57.5625$$

FRACTION	DECIMAL	MILIMETERS	FRACTION	DECIMAL	MILIMETERS
1/64	0.0156	0.3969	33/64	0.5156	13.0969
1/32	0.0313	0.7938	17/32	0.5313	13.4938
3/64	0.0469	1.1906	35/64	0.5469	13.8906
1/16	0.0625	1.5875	9/16	0.5625	14.2875
5/64	0.0781	1.9844	37/64	0.5781	14.6844
3/32	0.0938	2.3813	19/32	0.5938	15.0813
7/64	0.1094	2.7781	39/64	0.6094	15.4781
1/8	0.1250	3.1750	5/8	0.6250	15.8750
9/64	0.1406	3.5719	41/64	0.6406	16.2719
5/32	0.1563	3.9688	21/32	0.6563	16.6688
11/64	0.1719	4.3656	43/64	0.6719	17.0656
3/16	0.1875	4.7625	11/16	0.6875	17.4625
13/64	0.2031	5.1594	45/64	0.7031	17.8594
7/32	0.2188	5.5563	23/32	0.7188	18.2563
16/64	0.2344	5.9531	47/64	0.7344	18.6531
1/4	0.2500	6.3500	3/4	0.7500	19.0500
17/64	0.2656	6.7469	49/64	0.7656	19.4469
9/32	0.2813	7.1438	25/32	0.7813	19.8438
19/64	0.2969	7.5406	51/64	0.7969	20.2406
5/16	0.3125	7.9375	13/16	0.8125	20.6375
21/64	0.3281	8.3344	53/64	0.8281	21.0344
11/32	0.3438	8.7313	27/32	0.8438	21.4313
23/64	0.3594	9.1281	55/64	0.8594	21.8281
3/8	0.3750	9.5250	7/8	0.8750	22.2250
25/64	0.3906	9.9219	57/64	0.8906	22.6219
13/32	0.4063	10.3188	29/32	0.9063	23.0188
27/64	0.4219	10.7156	59/64	0.9219	23.4156
7/16	0.4375	11.1125	15/16	0.9375	23.8125
29/64	0.4531	11.5094	61/64	0.9531	24.2094
15/32	0.4688	11.9063	31/32	0.9688	24.6063
31/64	0.4844	12.3031	63/64	0.9844	25.0031
1/2	0.5000	12.7000	1	1.0000	25.4000

Weight Calculator

USE THIS CALCULATOR TO FIND THE WEIGHT OF YOUR GLASS DOORS AND PANELS TO DECIDE ON THE TYPE AND QUANTITY OF HARDWARE TO USE ON YOUR INSTALLATION. PLEASE, ALWAYS REFER TO NECESSARY HARDWARE RESTRICTIONS ON MAXIMUM WEIGHT AND WIDTH.

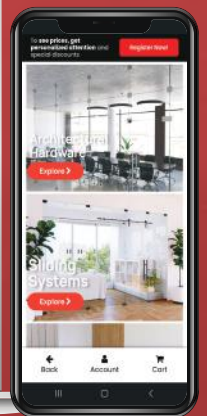
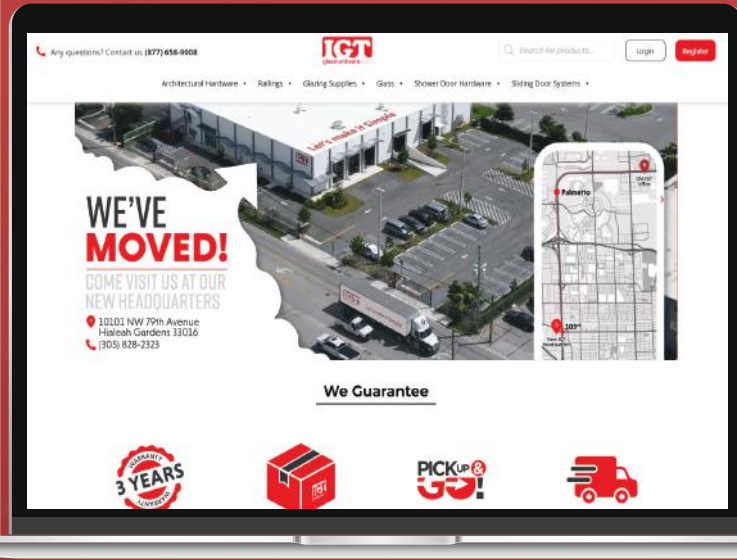
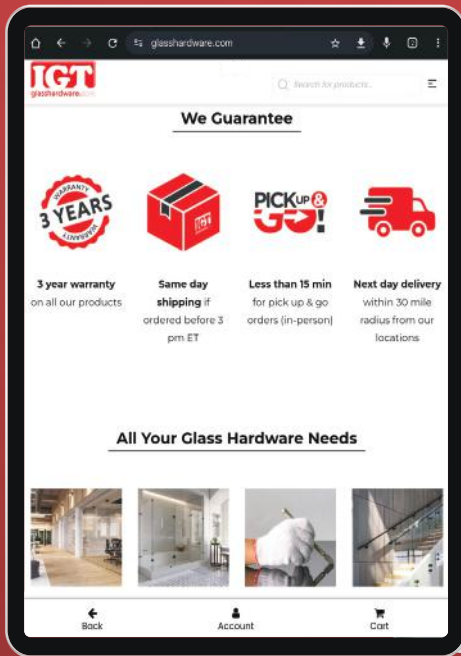
5/16": WIDTH _____ X HEIGHT _____ / 144 X 4.25 = _____ LB

3/8": WIDTH _____ X HEIGHT _____ / 144 X 4.25 = _____ LB

1/2": WIDTH _____ X HEIGHT _____ / 144 X 4.25 = _____ LB

Ordering hardware should be anything but HARD

Shop our entire catalog of products anywhere, anytime!



Make it simple through different ways!



Enjoy a **5%** **DISCOUNT**

ON ALL ORDERS PLACED VIA OUR **WEBSITE OR APP!**



glasshardware.com