



# WELLHEAD SOLUTIONS

 868-648-0827/9

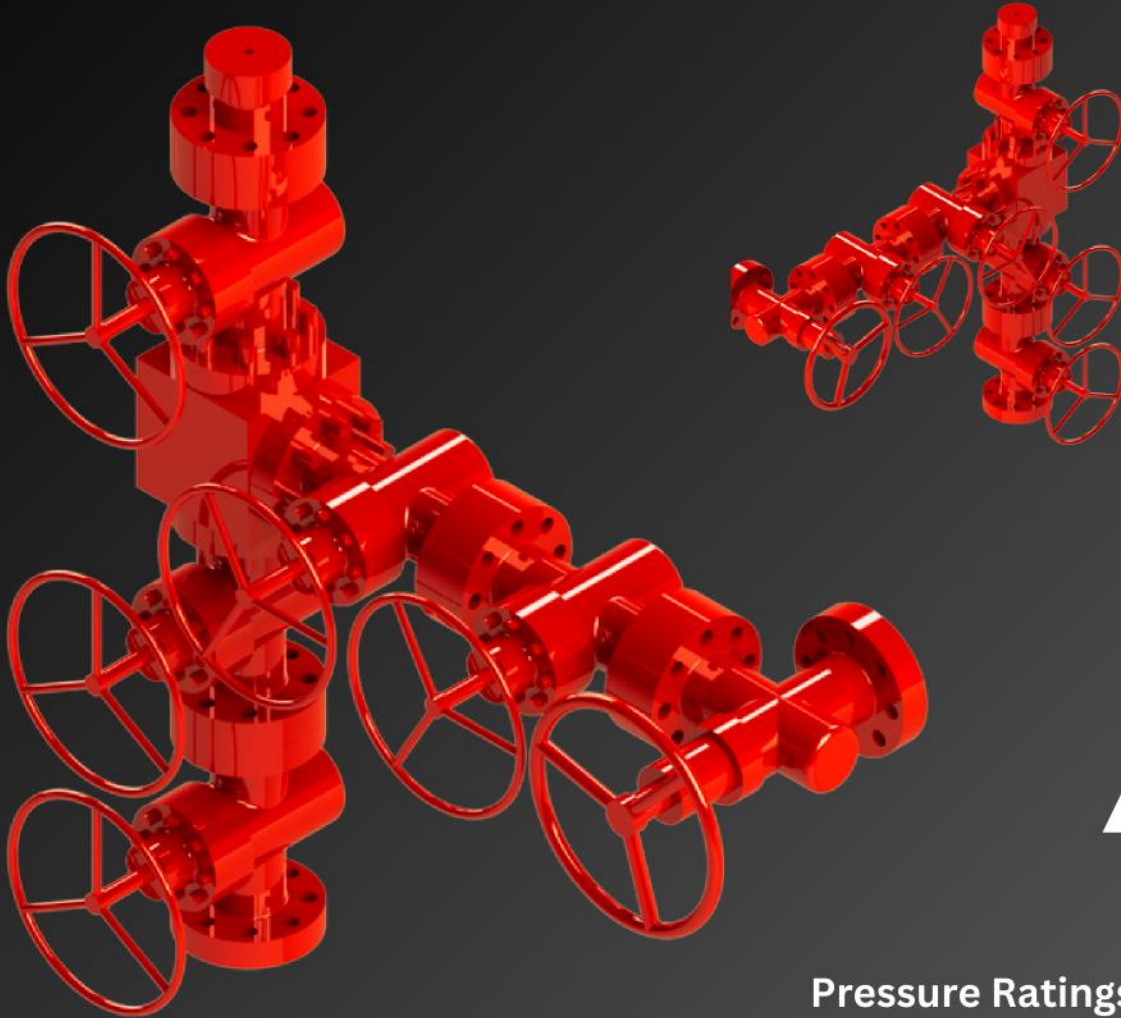


[www.ialengineering.com](http://www.ialengineering.com)



[ial@ial-int.com](mailto:ial@ial-int.com)

# API 6A-WELLHEAD SYSTEM



Pressure Ratings- up to 15,000 PSI

Maximum Operational Temperature: 250 Degrees

Minimum Operational Temperature: -21 Degrees

INTERNATIONAL ACCREDITATION - API 6A CERTIFIED

IN HOUSE MANUFACTURING OF MAJOR COMPONENTS

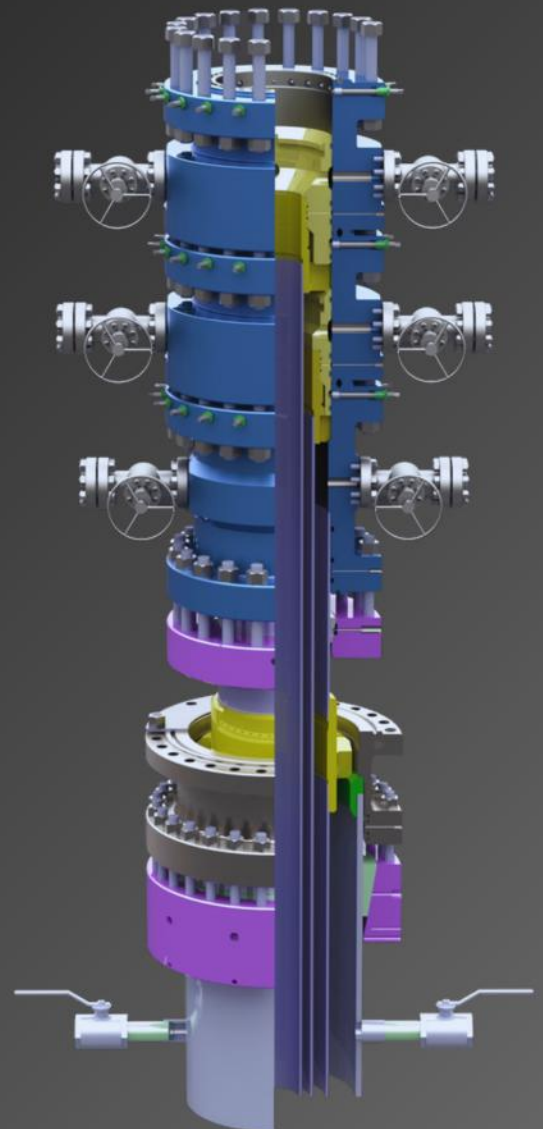
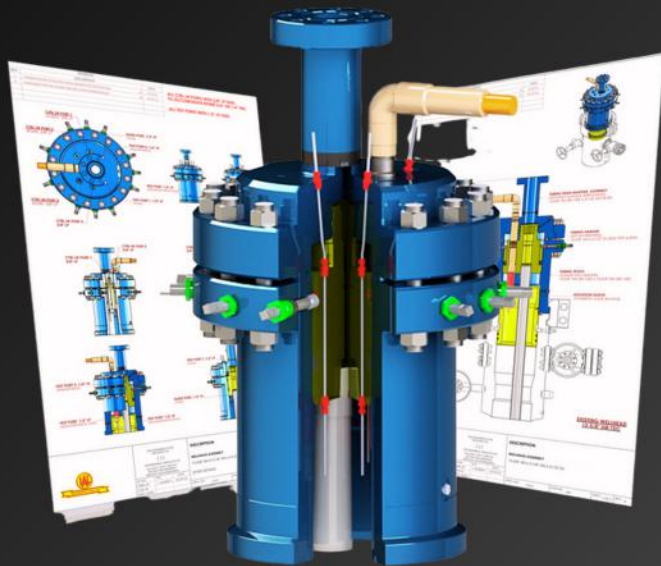
24 HOUR WELLHEAD SUPPORT SERVICES



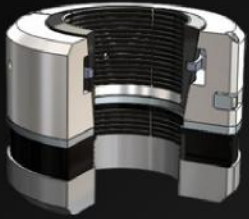


# DESIGN & MANUFACTURE

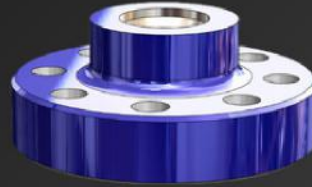
We Design and Manufacture all major components for our Wellhead Systems. With our team of highly skilled Design Engineers and State of the Art Machine Shop, we are capable of designing components from "Concept to Completion", all done in-house at our Manufacturing Facility.



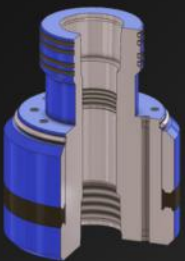
# WELLHEAD COMPONENTS



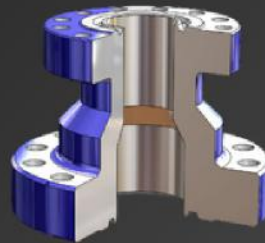
**CASING HANGERS (SLIP TYPE)**  
C-21, C-22, C-29



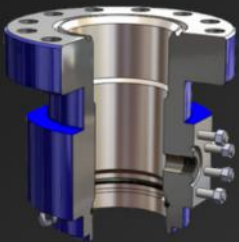
**COMPANION FLANGE**



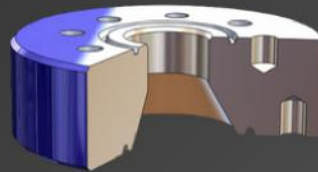
**H-PACK-OFF CASING HANGER**



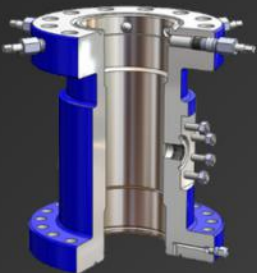
**CROSSOVER/ ADAPTER  
SPOOL**



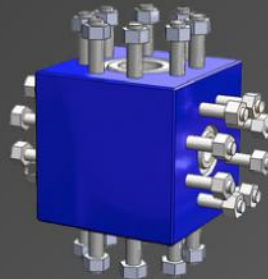
**CASING HEAD**  
C-22, SOW



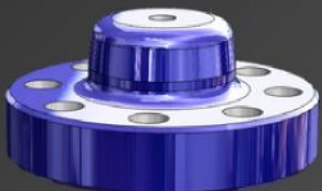
**DOUBLE STUDDED  
ADAPTER**



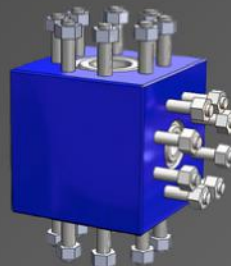
**CASING SPOOL**  
C-22



**STUDED CROSSES**



**TEST FLANGE**

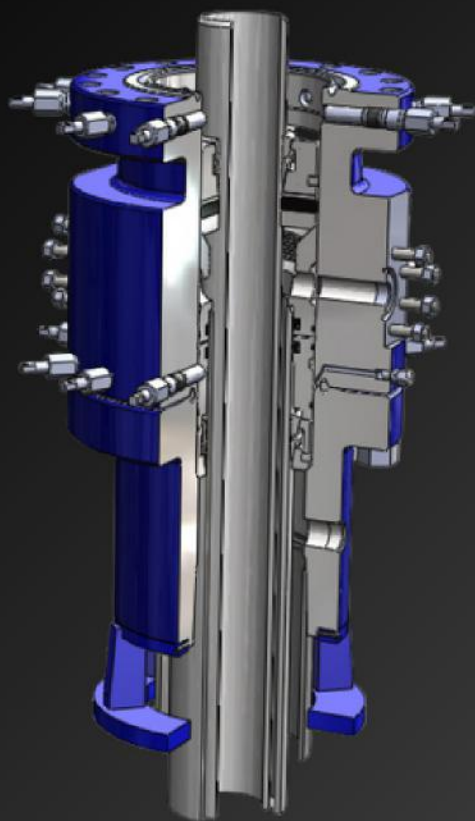


**STUDED TEES**



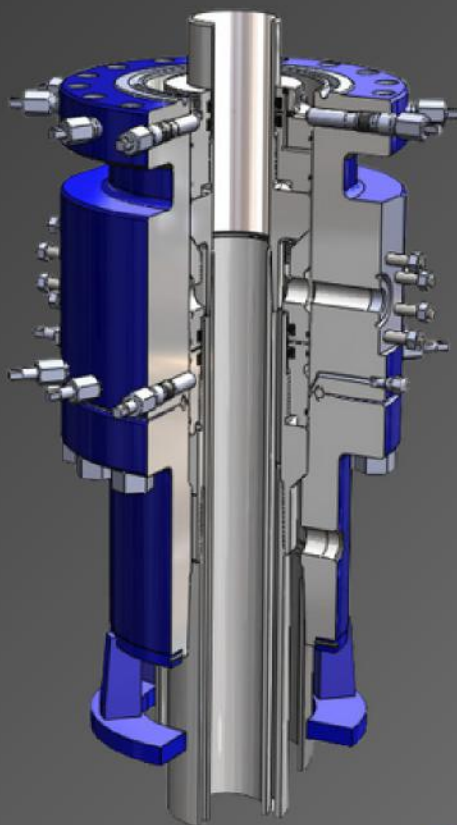
# WELLHEAD COMPONENTS

## SPLIT-UNITIZED SYSTEM



SUS WITH EMERGENCY  
SLIP TYPE CASING  
HANGER

SUS WITH FLUTED  
MANDREL CASING  
HANGER



# WELLHEAD COMPONENTS

## TUBING HANGERS



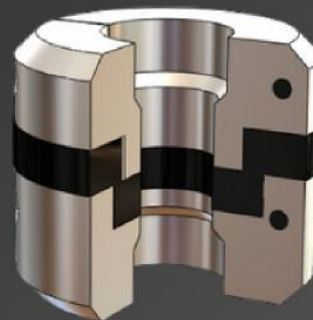
BO-2



TC-1A-EN



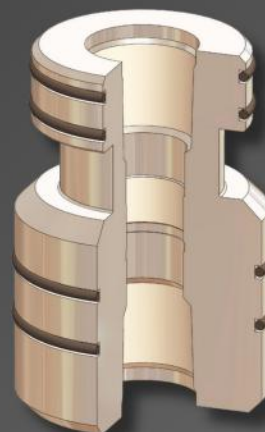
TC-1A



TC-1W



TC-1A-B



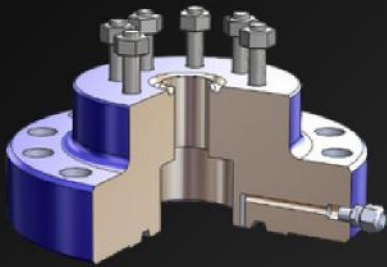
STANDARD  
EXTENDED NECK



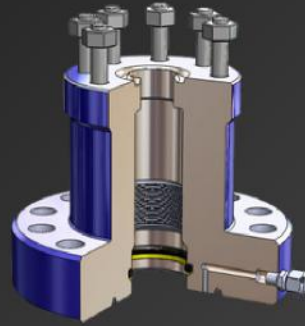


# WELLHEAD COMPONENTS

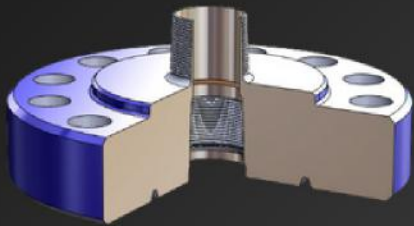
## TUBING HEAD ADAPTERS



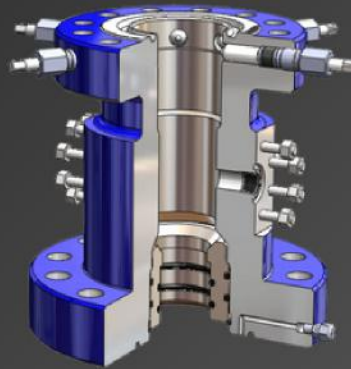
A-5P



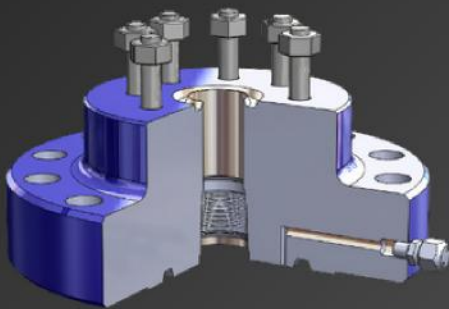
BO-2



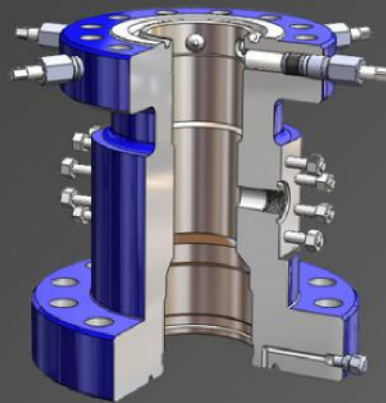
B-1



CASING SPOOL WITH  
PACKOFF BUSHING  
INSTALL



B-2P



CONVENTIONAL  
TUBING HEAD



# SUPPORT SERVICES

- Wellhead Completions
- Supply, Installation & Maintenance of OEM Wellhead Equipment & Accessories
- First & Second Line Maintenance (Routine & Non-Routine Maintenance).
- Repair, Refurbishment, Recertification and Installation of Wellhead Equipment & Accessories
- Pressure Testing Services
- Repair, Refurbishment & Installation of Chokes & Valves (all brands)
- Supply of Valves (Gate, Ball, Check, Plug)
- Casing Cutting & Blot Torqueing





# LET'S DISCUSS SOLUTIONS

Wellhead Specialist

Kerry Davis

Phone: (868) 796-4997

Email: kdavis@ial-trinidad.com

Contact Details

Address: Southern Main Road, No.8 Road, Guapo,  
Trinidad.

Phone: (868) 648-0827/9

Email: ial@ial-int.com

Visit us @[www.ialengineering.com](http://www.ialengineering.com)



SCAN  
me! 



## INTEGRATED SOLUTIONS

- ✓ Valve Technology
- ✓ Wellhead Solutions
- ✓ Tubular Services
- ✓ Equipment Services
- ✓ Corrosion Solutions
- ✓ Fabric Maintenance
- ✓ Marine Services



American  
Petroleum  
Institute

