



DATA SHEET

MODEL: NOVABLAST N30 AIR MOTOR

100 psi (0.7 MPa, 7.0 bar) Maximum Air Input Pressure

Stroke length 4 in. (102 mm)

Air Inlet 1/2 npsm (f)



**This manual contains important warning and information.
Read and keep reference.**



WARNING



INJECTION HAZARD

Spray from the spray gun, hose leaks or ruptured components can inject fluid into your body and cause extremely serious injury, including the need for amputation. Splashing fluid in the eyes or on the skin can also cause serious injury.

- Fluid injected into the skin is a serious injury. The injury may look like just a cut, but it is a serious injury. **Get immediate medical attention.**
- Do not point the gun at anyone or any part of the body.
- Do not put hand or fingers over the spray tip.
- Do not stop or deflect leaks with your hand, body, glove or rag.
- Do not "blow back" fluid; this is not an air spray system.
- Always have the tip guard on the spray gun when spraying.
- Check the spray gun diffuser (if so equipped) operation weekly. Refer to the gun manual.
- Be sure the spray gun safety knob operates before operating the gun.
- Lock the spray gun safety knob when you stop spraying.
- Tighten all fluid connections before each use.
- Check the hoses, tubes and couplings daily. Replace worn or damaged parts immediately. Permanently coupled hoses cannot be repaired.
- Handle and route hoses and tubes carefully. Keep hoses and tubes away from moving parts and hot surfaces. Do not use the hoses to pull equipment. Do not expose NOVABLAST hoses to temperatures above 150 °F (66°C) or below -40 °F (-40 °C).



TOXIC FLUID HAZARD

Hazardous fluids or toxic fumes can cause a serious injury or death if splashed in the eyes or on the skin, inhaled, or swallowed.

- Know the specific hazards of the fluid you are using.
- Store hazardous fluid in an approved container. Dispose hazardous fluid according to all local, state and national guidelines.
- Always wear protective eyewear, gloves, clothing and recommended by the fluid and solvent manufacturer.



MOVING PARTS HAZARD

Moving parts, such as the air motor piston and the secondary pump lever and connecting rod area, can pinch or amputate fingers.

- Do not operate the equipment with the air motor plates removed.
- Keep your body and tools clear of any moving parts when starting or operating the equipment.



EQUIPMENT MISUSE HAZARD

Equipment misuse can cause the equipment to rupture, malfunction, or start unexpectedly and result in serious injury.

- This equipment is for professional use only.
- Read all instruction manuals, tags, and labels before operating the equipment.
- Use the equipment only for its intended purpose. If you are uncertain about the usage, call your distributor.
- Do not alter or modify this equipment. Use only genuine NOVABLAST parts and accessories.
- Check the equipment daily. Repair or replace worn or damaged parts immediately.
- Do not exceed the maximum working pressure of the lowest rated system component. This equipment as a 5000 psi (345 bar) maximum working pressure.
- Do not lift pressurized equipment.
- Route the hoses away from the traffic areas, sharp edges, moving parts, and hot surfaces. Do not expose NOVABLAST hoses to temperatures above 150 °F (66 °C) or below -40 °F (-40 °C).
- Do not use the hoses to pull the equipment.
- Use fluids or solvents that are compatible with the equipment wetted parts. See the Technical Data section of all the equipment manuals. Read the fluid and solvent manufacturer's warnings.
- Fluid hoses must have spring guards on both ends to protect them from rupture caused by kinks or bends near the couplings.
- Comply with all applicable local, state and national fire, electrical and other safety regulations.

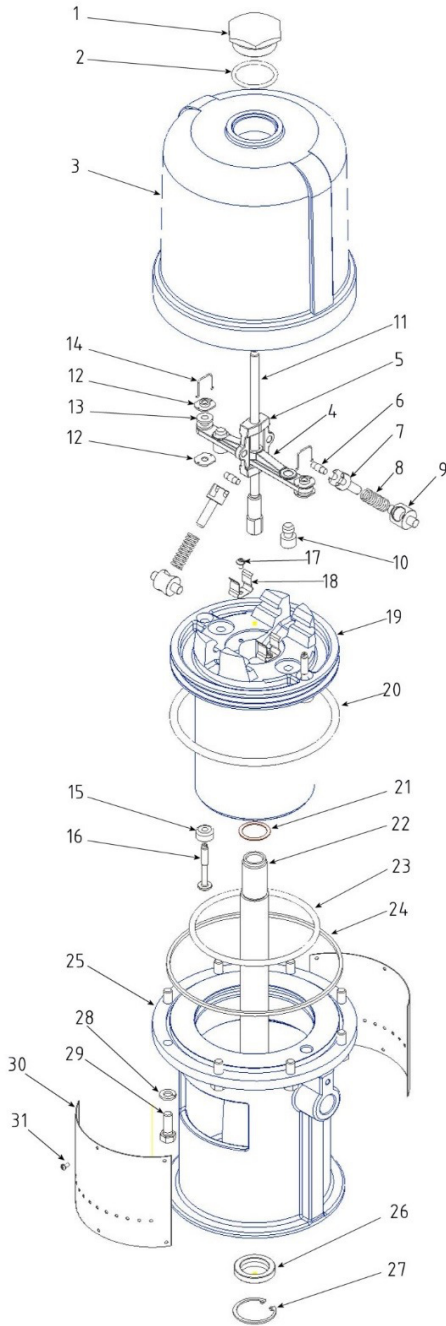


FIRE AND EXPLOSION HAZARD

Improper grounding, poor air ventilation, open flames, or sparks can cause a hazardous condition and result in fire or explosion and serious injury.

- Ground the equipment and the object being sprayed.
- Provide fresh air ventilation to avoid the buildup of flammable fumes from solvent or the fluid being sprayed.
- Extinguish all the open flames or pilot lights in the spray area.
- Electrically disconnect all the equipment in the spray area.
- Keep the spray area free of debris, including solvent, rags, and gasoline.
- Do not turn on or off any light switch in the spray area while operating or if fumes are present.
- Do not smoke in the spray area.
- Do not operate a gasoline engine in the spray area.
- If there is any static sparking while using the equipment, **stop spraying immediately.** Identify and correct the problem.

PARTS DRAWING & PARTS LIST



Note: parts marked in color are the spare parts

*These parts are included in repair kit which may be purchased separately.

Always use genuine parts

| # | ITEM NO. | DESCRIPTION | QTY |
|-----|----------|-------------------|-----|
| 1 | 81301201 | NUT, CYLINDER CAP | 1 |
| 2 | 81301202 | O-RING | 1 |
| 3 | 81301203 | CYLINDER, MOTOR | 1 |
| 4 | 81301204 | ACTUATOR, VALVE | 1 |
| 5 | 81301205 | YOKE | 1 |
| 6 | 81301206 | PIN, TOGGLE | 2 |
| 7 | 81301207 | ARM, TOGGLE | 2 |
| 8 | 81301208 | SPRING | 2 |
| 9 | 81301209 | ROCKER, TOGGLE | 2 |
| 10* | 81301210 | POPPET, VALVE | 2 |
| 11 | 81301211 | TRIP ROD | 1 |
| 12* | 81301212 | NUT, ADJUSTING | 4 |
| 13* | 81301213 | GROMMET, RUBBER | 2 |
| 14* | 81301214 | LOCKWIRE | 2 |
| 15* | 81301215 | POPPET, VALVE | 2 |
| 16* | 81301216 | STEM, VALVE | 2 |
| 17 | 81301217 | SCREW | 2 |
| 18 | 81301218 | CLIP, SPRING | 2 |
| 19 | 81301219 | PISTON | 1 |
| 20* | 81301220 | O-RING, PISTON | 1 |
| 21 | 81301221 | GASKET, COPPER | 1 |
| 22 | 81301222 | ROD, piston | 1 |
| 23* | 81301223 | O-RING | 1 |
| 24 | 81301224 | SEAL | 1 |
| 25 | 81301225 | BASE | 1 |
| 26 | 81301226 | RETAINER | 1 |
| 27 | 81301227 | SNAP RING | 1 |
| 28 | 81301228 | WASHER | 8 |
| 29 | 81301229 | SCREW | 8 |
| 30 | 81301230 | PLATE, MUFFLER | 2 |
| 31 | 81301231 | SCREW | 20 |

***81301910 Repair Kit - Parts marked in color are included.**

NOVABLAST STANDARD WARRANTY

NOVABLAST warrants all equipment referenced in this document manufactured by NOVABLAST and bearing its name to be free from defects in material and craft on the date of sale to the original purchaser for use. Except for any unique, extended, or limited warranty published by NOVABLAST, NOVABLAST will, for twelve months from the date of sale, repair or replace any part of the equipment determined by NOVABLAST to be defective. This warranty applies when installed equipment is operated and maintained following NOVABLAST written recommendations.

This warranty neither covers nor places liability on NOVABLAST for general wear and tear or any malfunction, damage, or wear caused by faulty installation, misapplication, abrasion, corrosion, inadequate or improper maintenance, negligence, accident, tampering, or substitution of non-NOVABLAST parts. This includes incidents caused by the incompatibility of NOVABLAST equipment with structures, accessories, equipment, or materials not supplied by NOVABLAST, or the improper design, manufacture, installation, operation, or maintenance of systems, accessories, equipment, or materials not provided by NOVABLAST.

This warranty is conditioned upon the prepaid return of the equipment claimed to be defective to an authorized NOVABLAST distributor for verification of the claimed defect. If the claimed defect is verified, NOVABLAST will repair or replace any faulty parts free of charge. The equipment will be returned to the original purchaser transportation prepaid. Suppose equipment inspection does not disclose any defect in material or craft. In that case, repairs will be made at a reasonable charge, which charges may include the costs of parts, labor, and transportation.

THIS WARRANTY IS EXCLUSIVE AND IS IN PLACE OF ANY OTHER WARRANTIES, EXPRESS OR IMPLIED, INCLUDING BUT NOT LIMITED TO WARRANTY OF MERCHANTABILITY OR WARRANTY OF FITNESS FOR A PARTICULAR PURPOSE.

NOVABLAST's sole obligation and buyer's remedy for any breach of warranty shall be as set forth above. The buyer agrees that no other cure (including, but not limited to, incidental or consequential damages for lost profits, lost sales, injury to person or property, or any other incidental or consequential loss) shall be available. Any action for breach of warranty must be brought within one (1) year of the date of sale.

NOVABLAST MAKES NO WARRANTY AND DISCLAIMS ALL IMPLIED WARRANTIES OF MERCHANTABILITY AND FITNESS FOR A PARTICULAR PURPOSE IN CONNECTION WITH ACCESSORIES, EQUIPMENT, MATERIALS, OR COMPONENTS SOLD BUT NOT MANUFACTURED BY NOVABLAST.

These items sold, but not manufactured by NOVABLAST (such as electric motors, switches, hose, etc.), are subject to their manufacturer's warranty, if any. NOVABLAST will provide the purchaser with reasonable assistance in making any claim for breach of these warranties.

In no event will NOVABLAST be liable for indirect, incidental, special, or consequential damages resulting from NOVABLAST supplying equipment hereunder, or the furnishing, performance, or use of any products or other goods sold hereto, whether due to a breach of contract, breach of warranty, the negligence of NOVABLAST, or otherwise.

NOVABLAST INFORMATION

TO PLACE AN ORDER OR FOR SERVICE contact your NOVABLAST distributor or call +31 (0)85 444 48 90 to identify the nearest distributor.