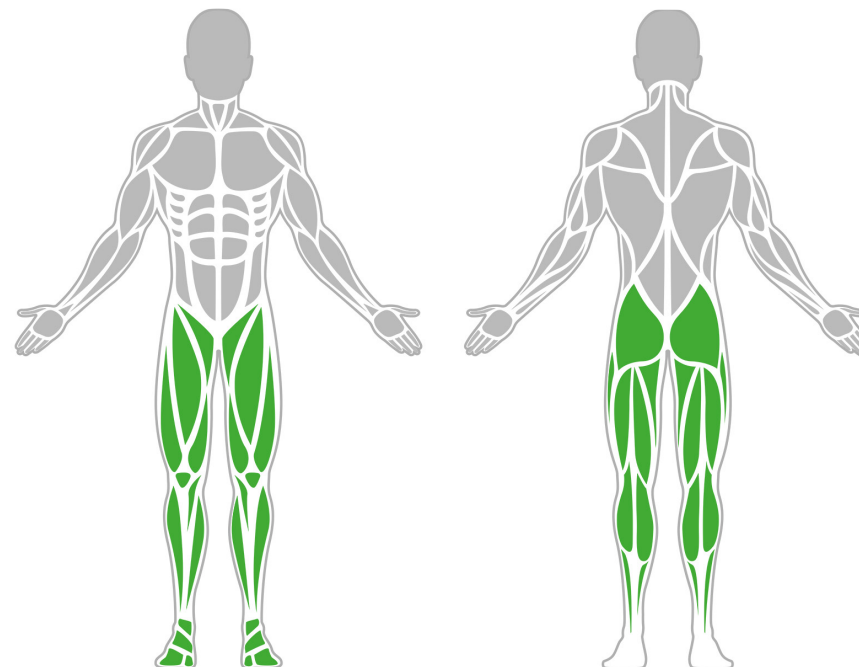




## Muscle Groups Focus



### Steppers 400

The stepper is one of the simplest exercise equipment that is excellent for strengthening the leg muscles, buttocks and sculpting the body as part of a bodyweight workout. It is especially recommended for athletes to develop a centre of gravity lift. The difficulty of the exercises can be increased by choosing from a range of steppers of different heights or by using accessories. The steppers usually consist of 3-5 elements, but can be extended to more or as little as a single element can be requested.

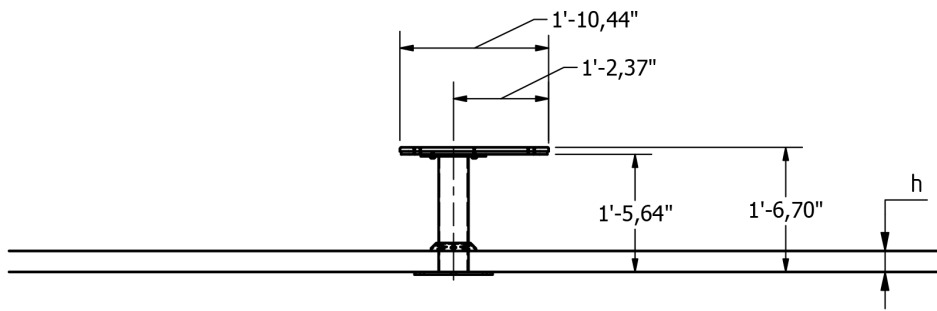
### Attributes

Product code	1-1-012
Certificate	EN 16630, ASTM F3101
Age group	14 + years
Capacity	1 person
Max. weight load	218.26 lbs
Type	Fitness
Difficulty level	Easy

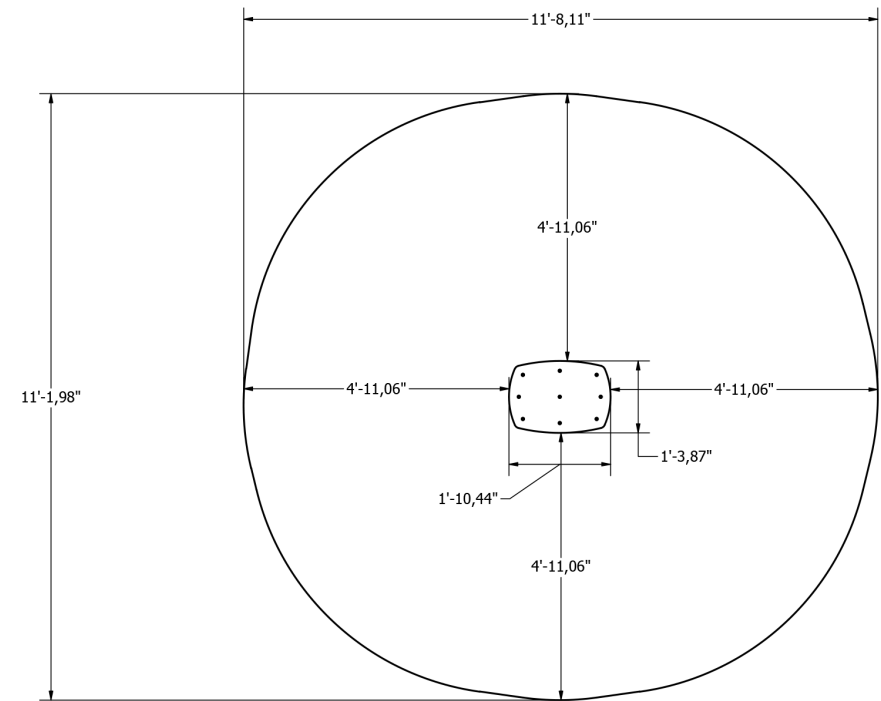
### QR Code



## Side View




## Plan View



## Installation information

Number of installers (concrete)	At least 2 people
Total installation time (concrete)	60-120 min.
Number of installers (equipment)	At least 2 people
Total installation time (equipment)	15-25 min.
Excavation volume	18,08 ft <sup>3</sup>
Concrete volume	18,08 ft <sup>3</sup>
Size of the base structure	31.5 x 31.5 x 31.5 „
Anchoring options	In-ground or surface
In combined structures, the volume of concrete required varies.	

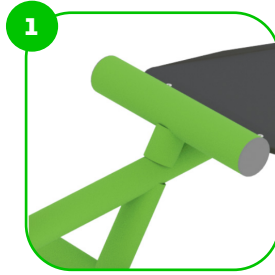
## Technical specification

Safety surface area	Around 4.92 ft radius
Net weight	85.98 lbs
Material	S235
Critic fall height	19.09"
Color options	
For more color options, discuss with your sales representative.	

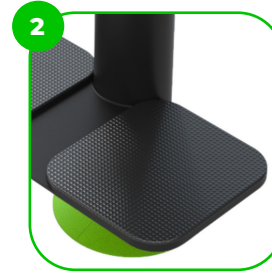
## Warranty

Structure	10 years
Steel	5-10 years
Paint	2 years
Plastic	5-10 years
Rubber	1-3 years
Moving parts	2 years
Detailed information in the warranty document	

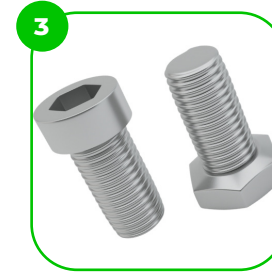
# Material specification



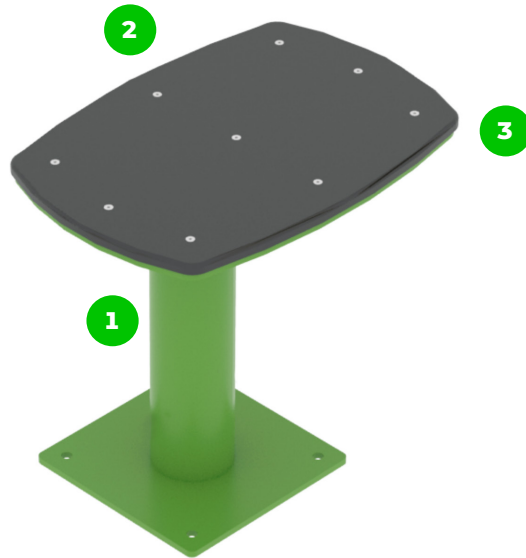
1 The element is made of high quality S235 steel, which has been cleaned via sandblasting. A corrosion resistant powder coating finish is then applied. Also available with galvanized surface for even greater protection and longevity!



2 The top surface of the device is covered with the highest quality non-slip HDPE.



3 The connecting elements are fastened with vandal-proof stainless steel screws and nuts.



# BESTSTRONG

 [beststrongworld](#)  [beststrongworld](#)  [global.beststrong.com](#)  [info@beststrong.com](mailto:info@beststrong.com)

