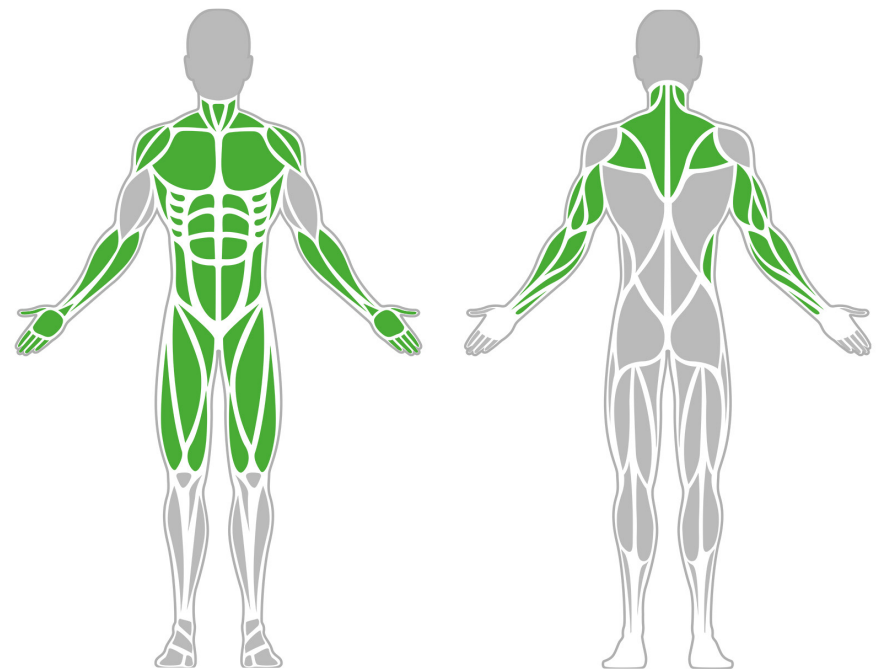




Muscle Groups Focus



Dip Bar

Push-ups are perhaps the simplest of the movements, yet they are a highly effective form of bodyweight training. Pushing is a great way to work and develop a wide range of muscle groups, and this dip bar is a great exercise tool. Thanks to its open design, everyone can find the optimal grip width for their body.

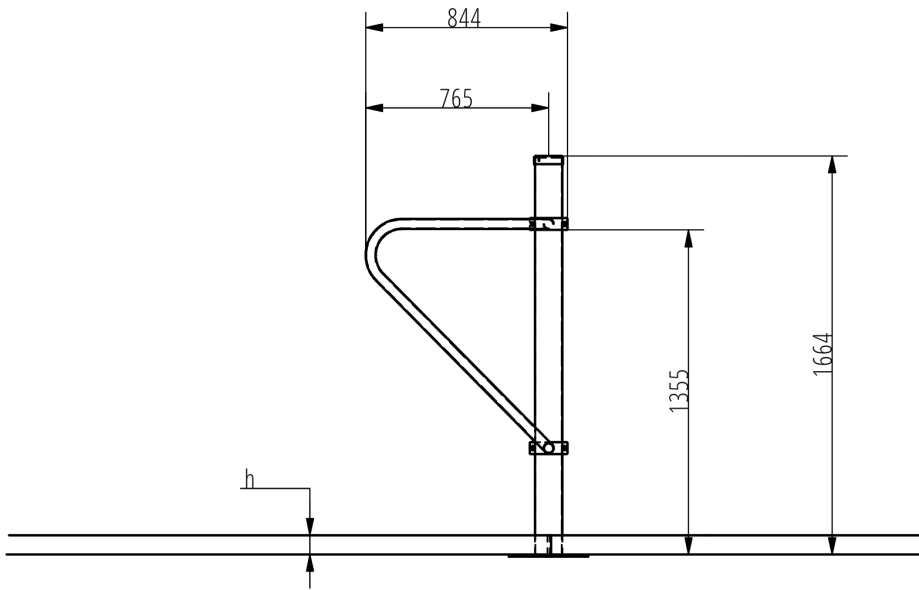
Attributes

Product code	1-1-051
Certificate	EN 16630
Age group	14 + years
Capacity	1 person
Max. weight load	99 kg
Type	Calisthenics
Difficulty level	Medium

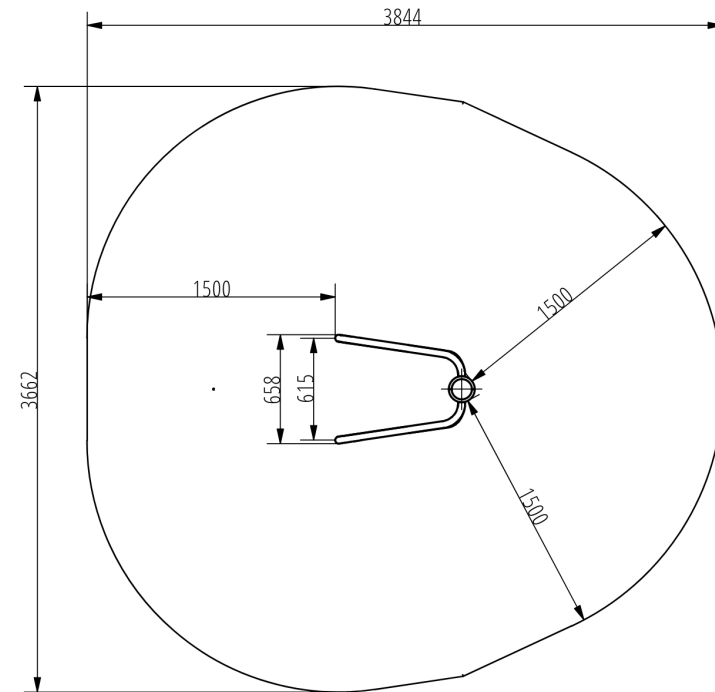
QR Code



Side View




Plan View



Installation information

Number of installers (concrete)	At least 2 people
Total installation time (concrete)	45-75 min.
Number of installers (equipment)	At least 2 people
Total installation time (equipment)	20-30 min.
Excavation volume	0.2 m ³
Concrete volume	0.2 m ³
Size of the base structure	0,5 x 0,5 x 0,8 m
Anchoring options	In-ground or surface
In combined structures, the volume of concrete required varies.	

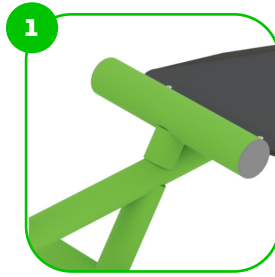
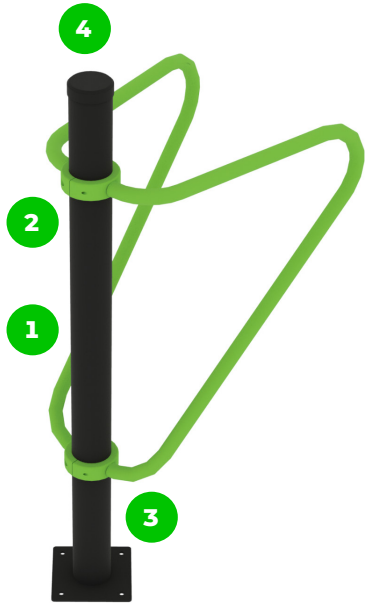
Technical specification

Safety surface area	Around 1,5 m radius
Net weight	19 kg
Material	S235
Critic fall height	1375 mm
Color options	
For more color options, discuss with your sales representative.	

Warranty

Structure	10 years
Steel	5-10 years
Paint	2 years
Plastic	5-10 years
Rubber	1-3 years
Moving parts	2 years
Detailed information in the warranty document	

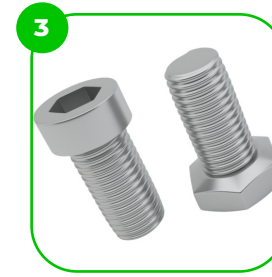
Material specification



The element is made of high quality S235 steel, which has been cleaned via sandblasting. A corrosion resistant powder coating finish is then applied. Also available with galvanized surface for even greater protection and longevity!



The clamp system allows for easy assembly and extreme stability.



The connecting elements are fastened with vandal-proof stainless steel screws and nuts.



The ends of the bars and posts are sealed with injection-moulded plastic caps.

BESTSTRONG

 [beststrongworld](#)  [beststrongworld](#)  [global.beststrong.com](#)  info@beststrong.com

