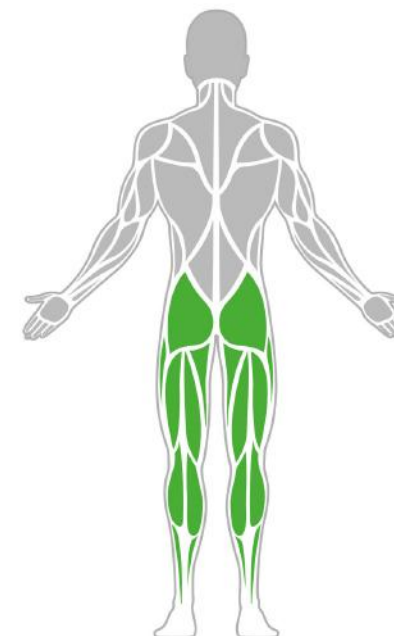
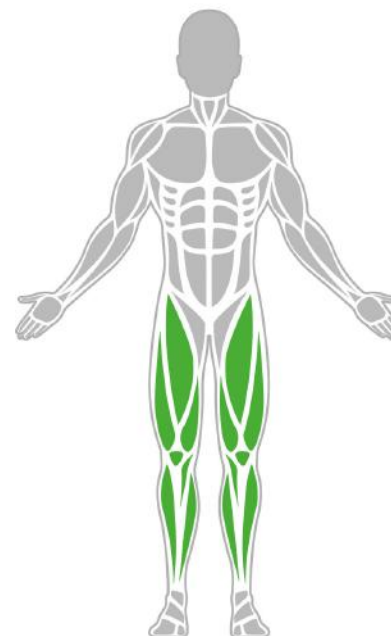




Muscle Groups Focus



Leg Abductor And Hip Swing

This outdoor functional training device helps tone the waist, hip and thigh muscles and improves overall strength, balance and coordination. The waist exerciser – barre allows the user to gently move through the above muscle groups without straining the joints making this outdoor recreational tool perfect for all age groups.

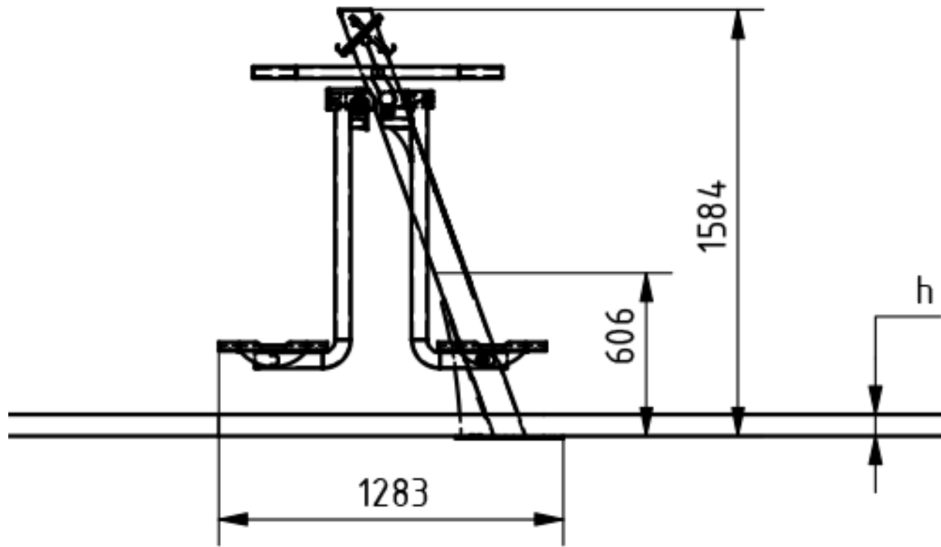
Attributes

Product code	1-1-303
Certificate	EN 16630
Age group	14 + years
Capacity	1 person
Max. weight load	130 kg
Type	Recreational
Difficulty level	Easy

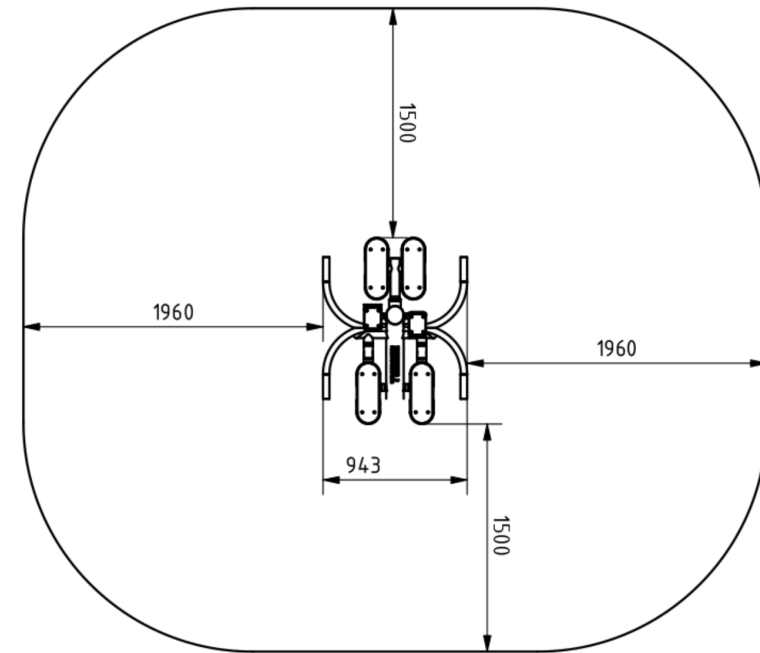
QR Code



Side View



Plan View



Installation information

Number of installers (concrete)	At least 2 people
Total installation time (concrete)	45-90 min.
Number of installers (equipment)	At least 2 people
Total installation time (equipment)	90-120 min.
Excavation volume	0.65 m ³
Concrete volume	0.65 m ³
Size of the base structure	0,9 x 0,9 x 0,8 m
Anchoring options	Surface mounted
In combined structures, the volume of concrete required varies.	

Technical specification

Safety surface area
Net weight
Material
Critic fall height
Color options

For more color options, discuss with your sales representative.

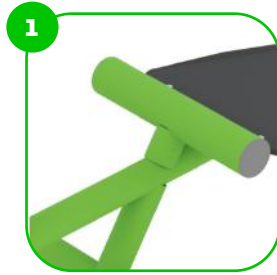


Around 1,5 m radius
Net weight
Material
Critic fall height

Warranty

Structure	10 years
Steel	5-10 years
Paint	2 years
Plastic	5-10 years
Rubber	1-3 years
Moving parts	2 years
Detailed information in the warranty document	

Material specification



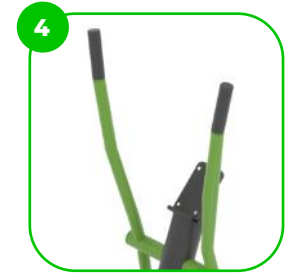
The element is made of high quality S235 steel, which has been cleaned via sandblasting. A corrosion resistant powder coating finish is then applied. Also available with galvanized surface for even greater protection and longevity!



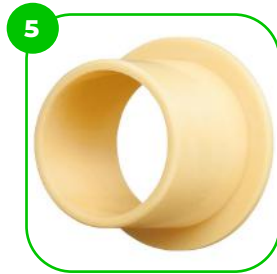
The footrests are made of premium quality non-slip HDPE with a high wear resistance.



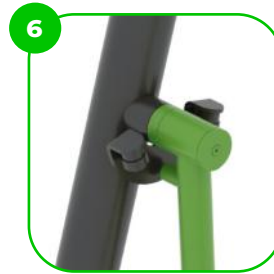
The device is equipped with an ergonomic non-slip HDPE phone holder for convenience.



At the end of the arms, the handle is rubber-coated for a more comfortable and secure grip.



The device is fitted with composite bearings that are weather-resistant. The bearing does not require regular maintenance.



The bumpers of the devices are made of durable rubber material.

BESTRONG

