

B
BIANCHET
TOURBILLON WATCHES

Catalogue 2025

В

DEFYING GRAVITY
IN STYLE





FLYING TOURBILLON

T.T.U. AAAC

BIANCHET

B1.618 ULTRA

5 ATM

SWISS

29 JEWELS



BIANCHETTI

FB

Bianchet creates
mesmerizing tourbillon timepieces
inspired by timeless design
in an uncompromising quest for Artistry & Performance

The Tourbillon's ability to counteract the force of gravity mirrors
humanity's ongoing quest to transcend limitations and achieve
new heights

Crafted with soul
and finished by hand in Switzerland
in the respect of centuries of Haute Horlogerie techniques,
Bianchet timepieces push back the limits
of aesthetics and technology
to provide
a unique horological experience

*P*IGNITED BY
PASSION

*“At Bianchet, we do not purely create timepieces—we craft experiences, **sculpting each watch with the same care an artist brings to its masterpiece.** Every detail, from the curvature of the case to the hypnotic motion of the flying tourbillon, is guided by a singular philosophy: **harmony between art and performance.**”*

*Born from a vision of pure craftsmanship, **Bianchet stands at the intersection of contemporary design and centuries-old Swiss watchmaking savoir-faire.** To wear a Bianchet is to embrace an object created with intention, an expression of mathematical beauty and mechanical ingenuity. These are watches that demand more than admiration—they demand appreciation.*

Time, reimagined as art.”

Rodolfo & Emmanuelle Festa Bianchet

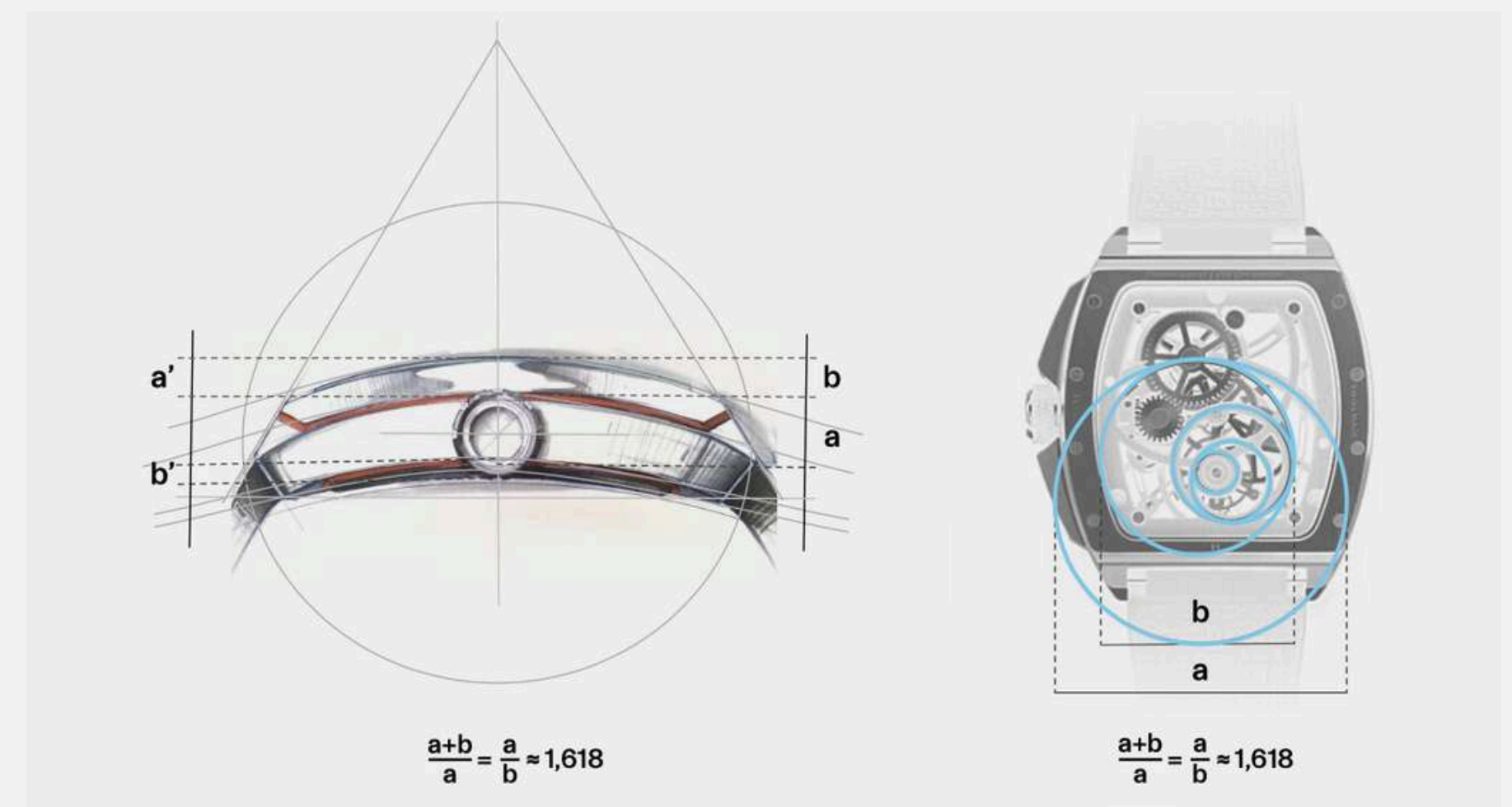
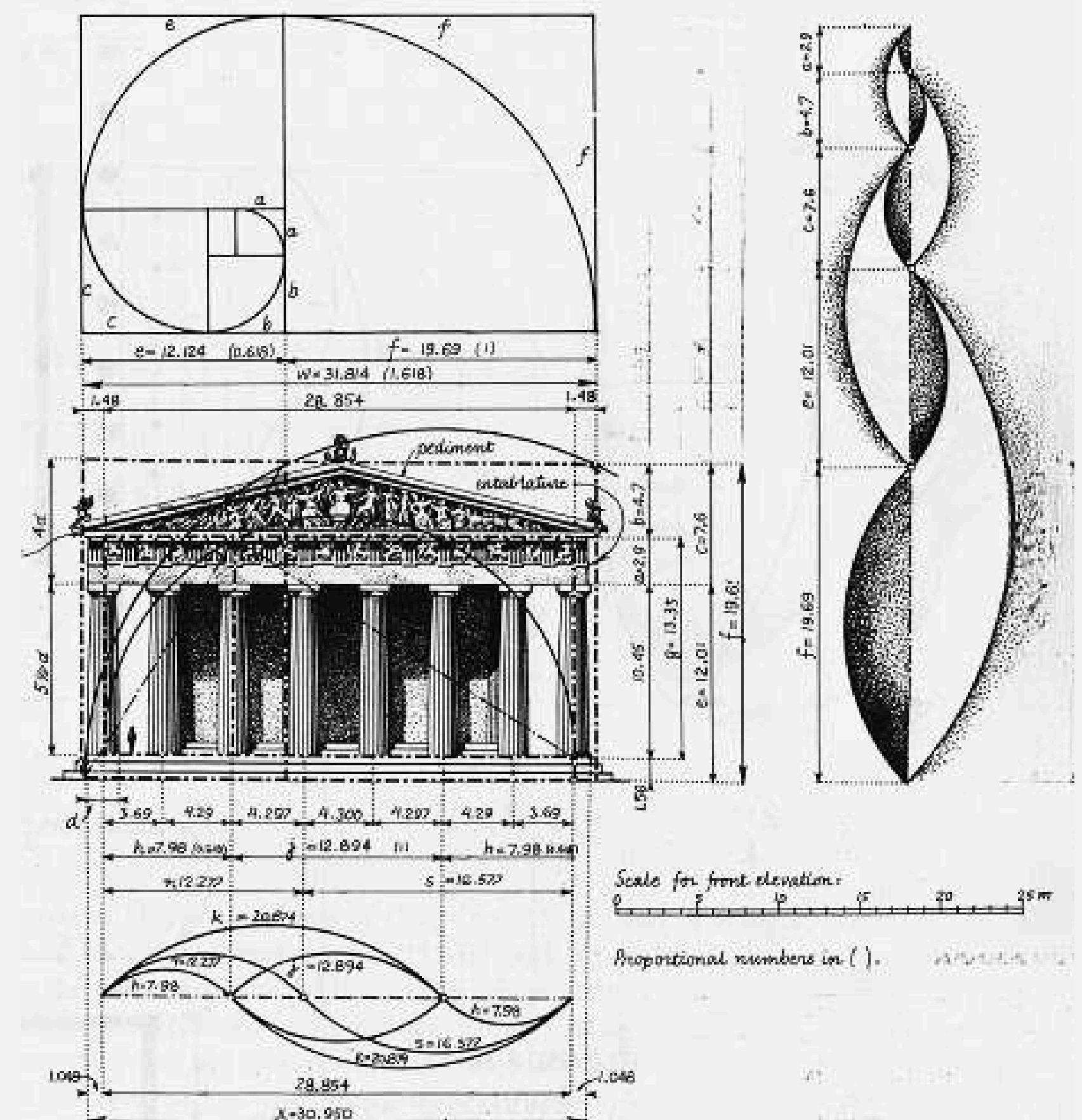


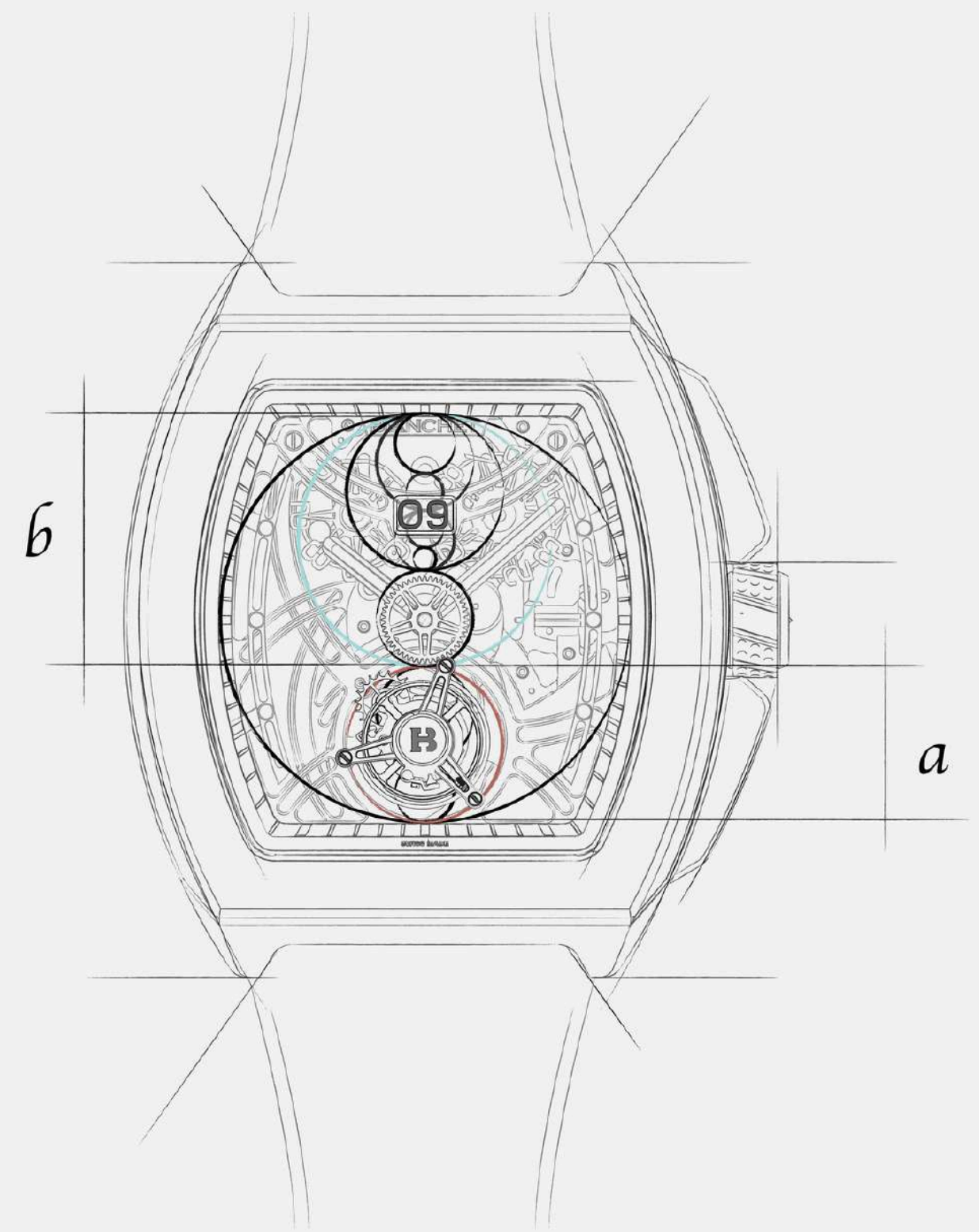
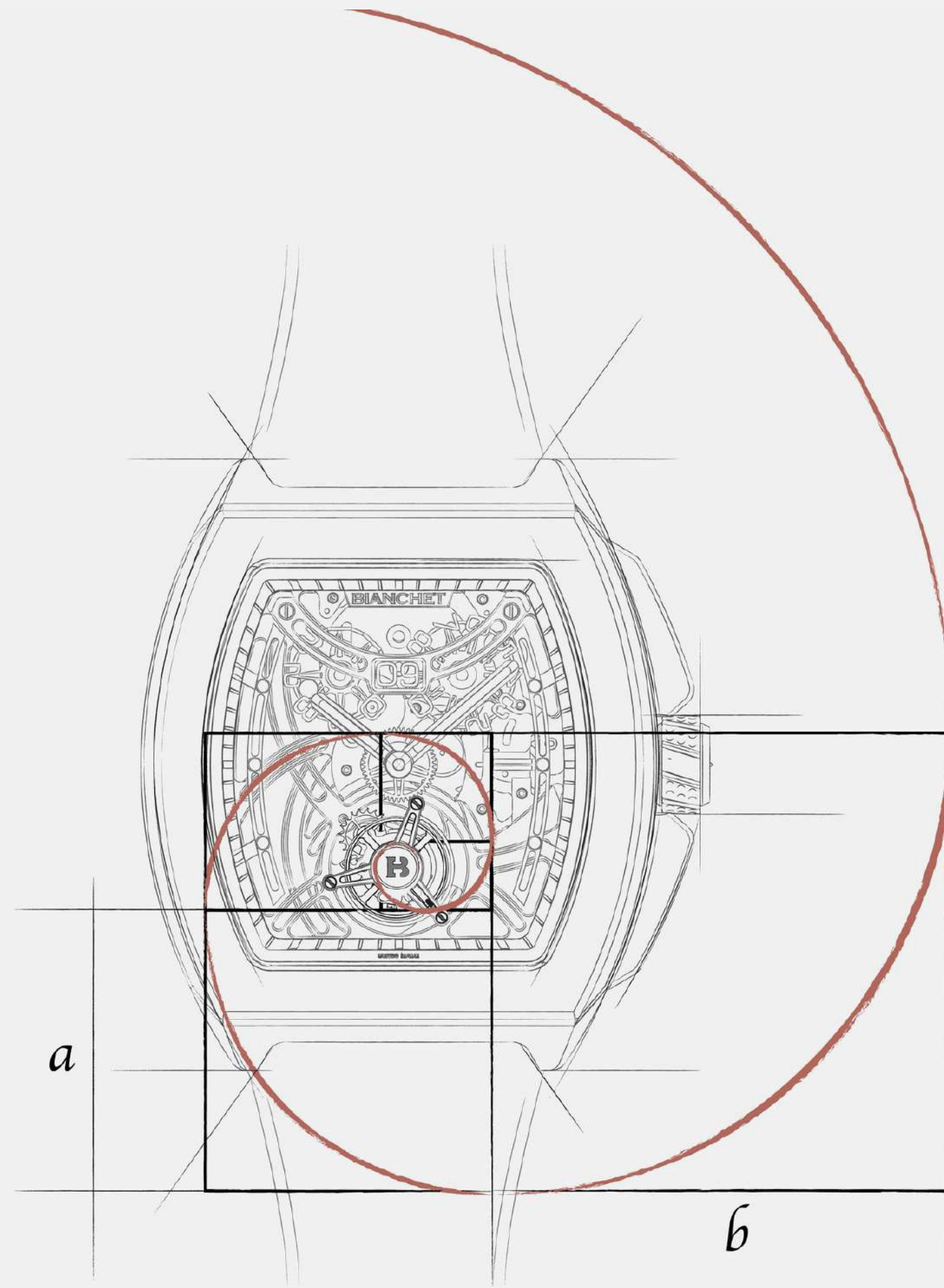
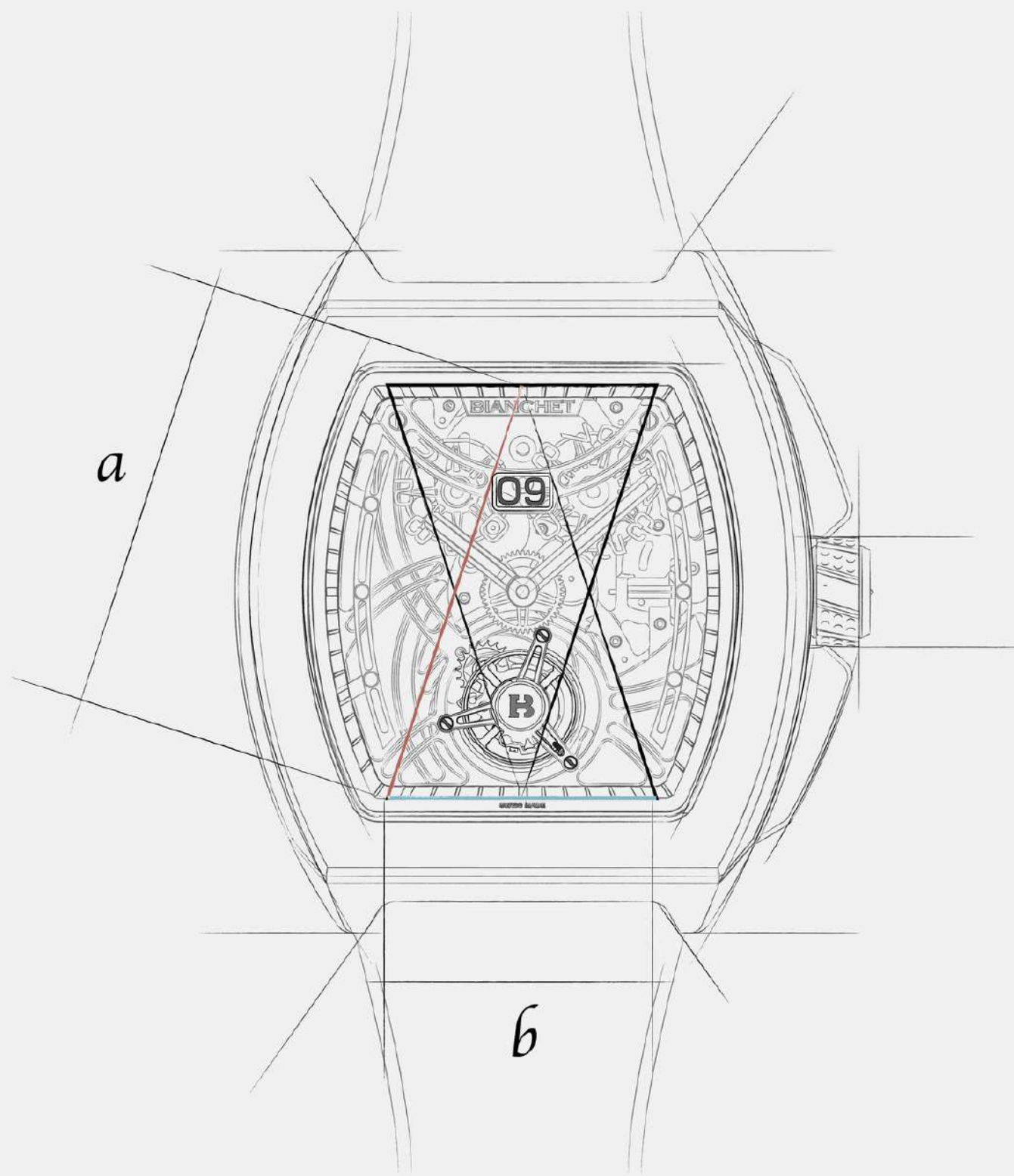
THE ART OF THE GOLDEN RATIO

Perfection in nature, translated into horology.

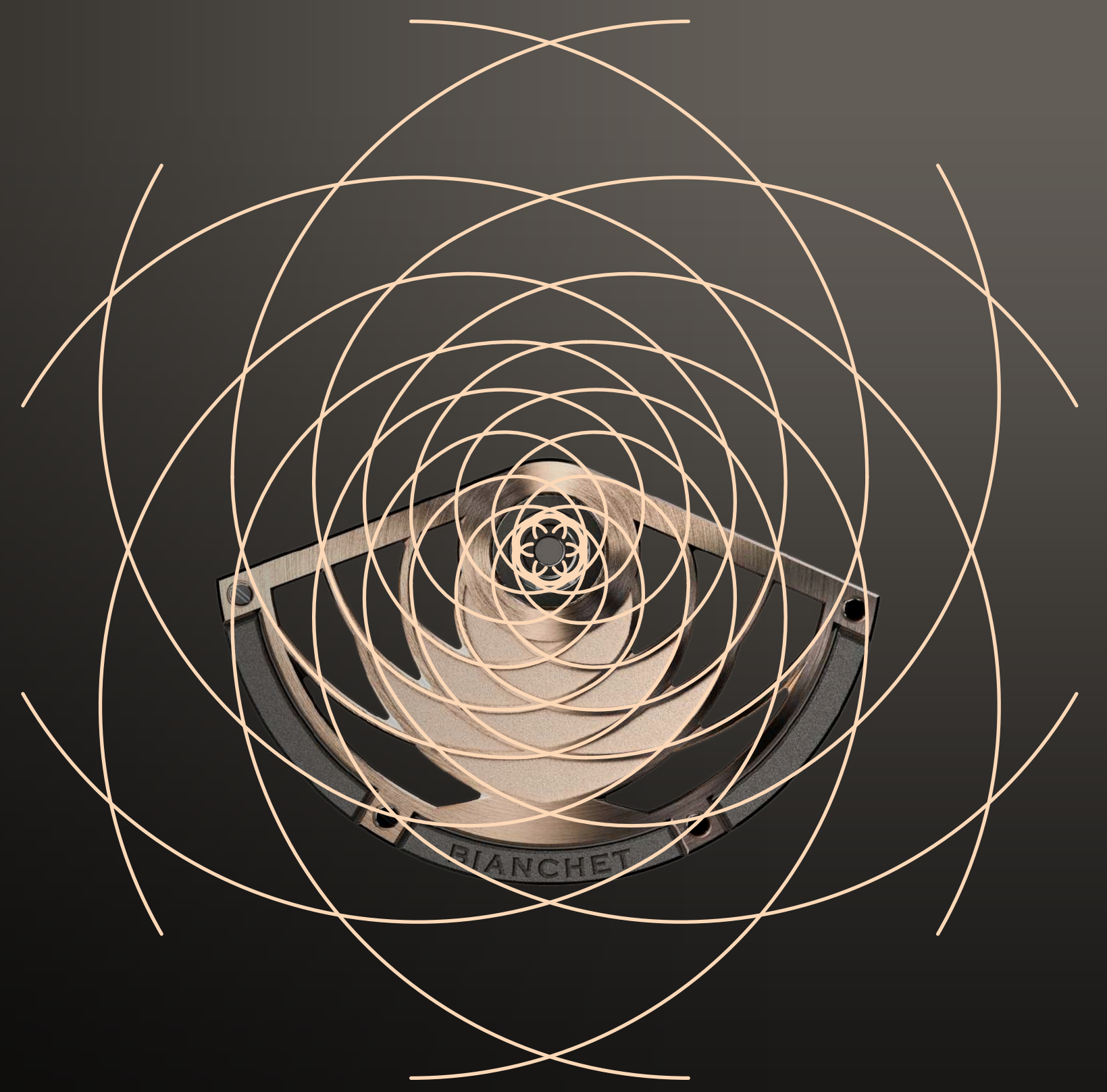
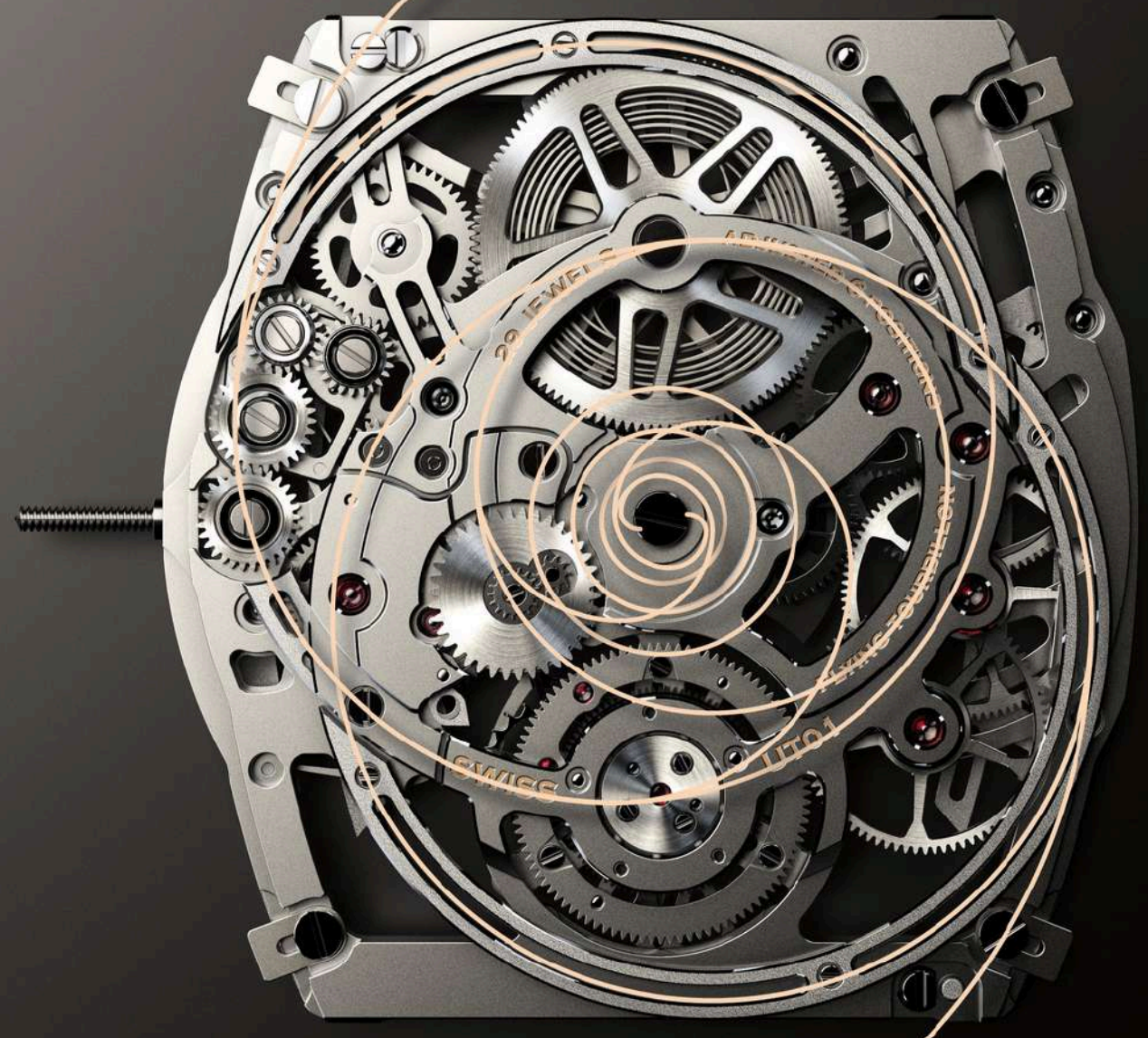
For centuries, the golden ratio has defined the proportions of the most celebrated works of art and architecture. **Leonardo da Vinci** used it to explore human anatomy in his **Vitruvian Man**, integrating this divine proportion into paintings, sculptures, and architectural blueprints. It appears in the spirals of galaxies, the structure of seashells, and even the composition of a symphony—evidence of its universal significance.

At Bianchet, **this eternal principle is the foundation of our design.** Every case, every movement, and every curve is proportioned to reflect the golden ratio, ensuring an innate sense of harmony. The balance of space within a Bianchet timepiece is not arbitrary—it is calculated to evoke a natural aesthetic that feels effortless yet profound.



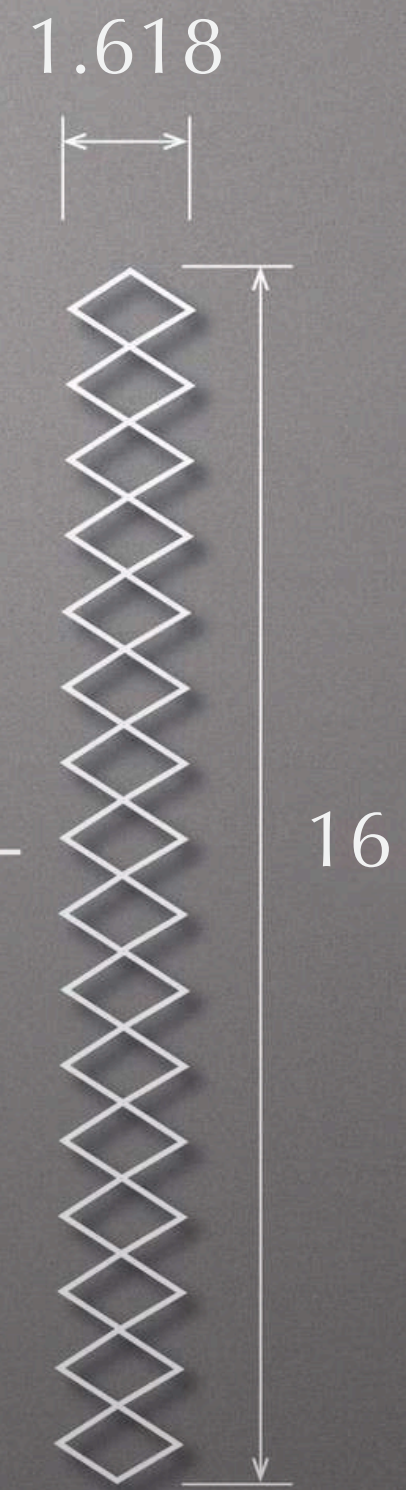
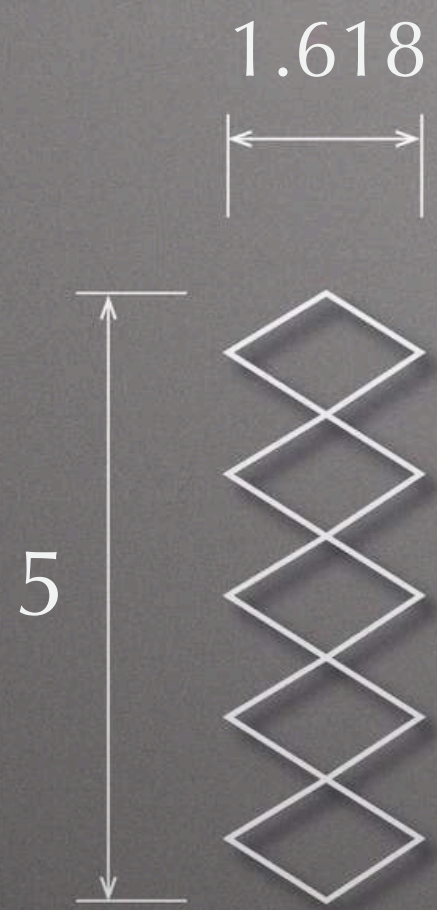
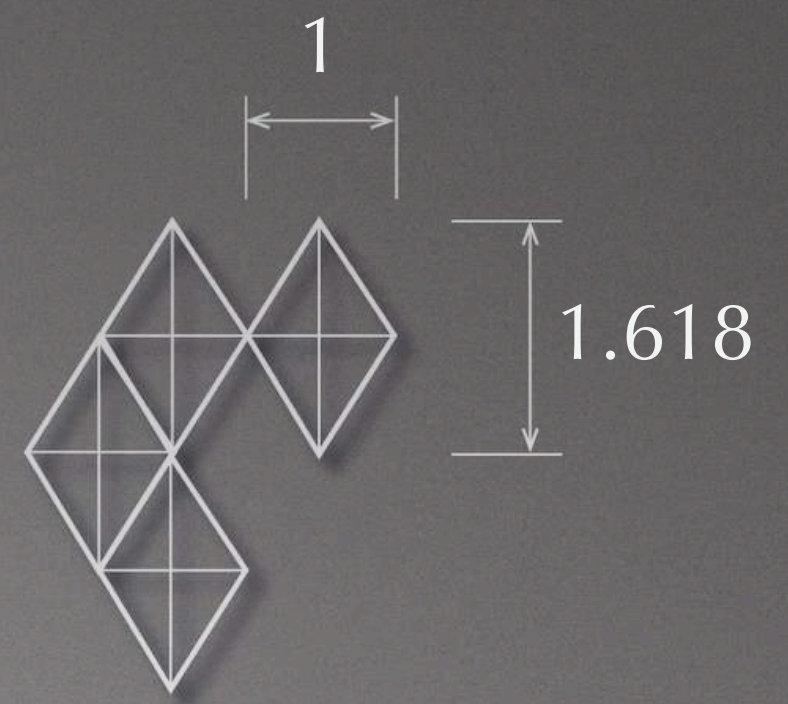
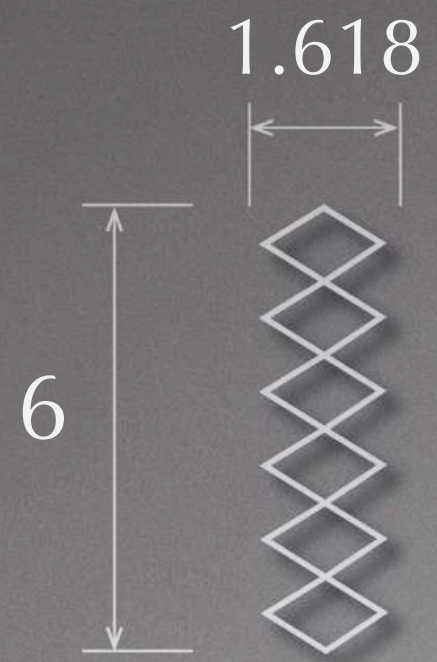


$$\frac{a+b}{a} = \frac{a}{b} \approx 1,618$$



Caliber
UT01

In-House
Movement

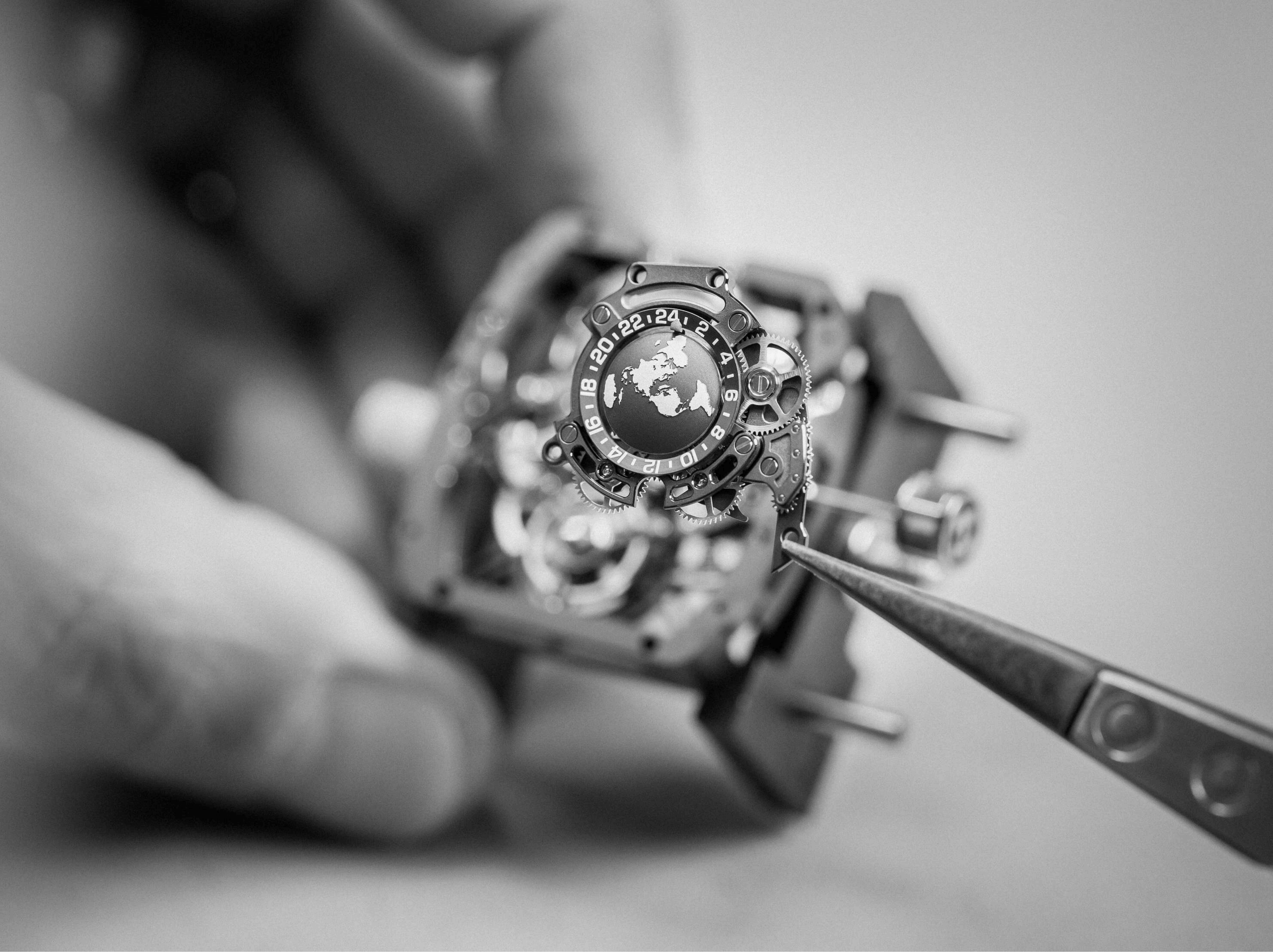


A MASTERING THE *ART OF CREATION*

A timepiece is shaped by more than just mechanics; it is an orchestration of form, proportion, and movement. At Bianchet, **the golden ratio serves as a fundamental principle**, ensuring that every contour, void, and angle is perfectly balanced. This mathematical harmony gives each watch an effortless presence, revealing its true essence.

With the introduction of Bianchet's first dial timepieces, this philosophy extends beyond the open-worked movement, embracing a new sense of purity. Whether through the sculptural depth of a skeletonized design or the quiet precision of a dial, each watch remains a study in equilibrium. The case is refined to flow seamlessly around the wrist, creating an unbroken connection between the movement and the wearer, reinforcing the idea that time is measured and experienced.

In our atelier in **La Chaux-de-Fonds**, where Swiss watchmaking has been elevated to an art form, these timepieces are crafted through expert craftsmanship. Each surface is skillfully finished, and every line is honed until the watch feels as natural as the passage of time itself.





*Caliber UT01
Titanium
8 grams
3.85mm thin*

F^{IN-HOUSE} *FLYING TOURBILLON*

An enduring symbol of horological excellence

Invented by **Abraham-Louis Breguet** in 1795, the tourbillon was designed to counteract the effects of gravity on a watch's movement, enhancing precision in a mechanical timepiece. Over two centuries later, it remains one of the most intricate and respected complications in haute horology, requiring exceptional expertise to construct and regulate.

More than a technical achievement, the tourbillon reflects fine watchmaking at its highest level. Its assembly demands absolute precision, where even the slightest adjustment influences performance.

Bianchet's flying tourbillon is at the core of **its second in-house movement**, a caliber entirely designed, developed, and crafted by the brand. Engineered without an upper bridge, the tourbillon enhances the movement's lightness and fluidity, completing a full rotation every 60 seconds. Whether showcased within an open-worked design or framed by the purity of a dial, it remains **an enduring symbol of horological excellence**.

*P*UNCOMPROMISING *PERFORMANCE*

Swiss Engineering Excellence

Bianchet timepieces are designed for continuous wear, combining mechanical refinement with real-world durability. **Whether in motion or at rest, in formal settings or intense environments, they maintain their precision and presence without compromise.**

The case construction and movement architecture are carefully designed to absorb shocks without adding unnecessary weight, ensuring both protection and comfort on the wrist. Each model is engineered for exceptional shock resistance, **withstanding forces of up to 5000G**. This level of resilience ensures the movement remains unaffected by impact, maintaining accuracy and stability in high-performance conditions.

Tested by top athletes across motorsport, tennis, and surfing, Bianchet watches have **proven their endurance in high-intensity conditions**. The combination of advanced materials and structural integrity makes them as refined as they are resistant. Built for those who seek the perfect balance between artistic expression and technical performance.



*Grigor Dimitrov
Professional Tennis Player*







Esteban Ocon
Formula 1 Driver





M MASTERING MATERIALS

A fusion of strength, lightness, and refinement.

The essence of a timepiece is shaped by the materials that define its character. **Bianchet selects each element with precision, balancing resilience, weight, and aesthetic contrast** to create a watch that is as strong as it is refined. The case construction enhances structural integrity while remaining remarkably light on the wrist, ensuring durability and comfort in everyday wear.

Titanium-Dust High-Density Carbon, a composite engineered through extreme compression, reinforces the watch's resistance to impact while preserving an effortless fit. **Grade 5 titanium**, known for its strength-to-weight ratio, adds definition to the case, contrasting with the carbon's organic texture. **Sapphire crystal**, nearly as hard as diamond, protects the dial and movement, ensuring lasting clarity.

These materials are selected for their longevity and for how they shape the experience of wearing a Bianchet—where **performance, lightness, and refinement exist in perfect equilibrium.**

F THE ART OF *FINISHING*

Where craftsmanship meets light and texture.

The art of watch refinement is showcased in its finishing—this final stage transforms raw materials through traditional techniques. Each surface, whether seen or concealed within the movement, is meticulously enhanced to create **a harmonious interplay of texture, contrast, and reflection.**

Brushed titanium offers a muted elegance by softening reflections, while mirror-polished bevels deliver sharp edges with striking precision. The hand-beveled bridges in the skeletonized movement add depth, fostering a seamless visual flow. Every technique is thoughtfully executed, allowing light to dance across the watch, accentuating its structure and elevating its presence.

Finishing embodies the essence of craftsmanship, influencing the watch's interaction with light and motion. As perspectives shift, subtle details come to life, unveiling the artistry that characterizes a Bianchet timepiece.



ADJUST

SWISS · B 1.618

TWENTY (20) JEWELS

BIANCHET · FLYING





*Maximilian Günther
Formula E Driver*

B 1.618

FLYING TOURBILLON ULTRAFINO

FLYING TOURBILLON SPORT GMT

FLYING TOURBILLON GRANDE DATE

FLYING TOURBILLON MASERATI MSG RACING

U FLYING TOURBILLON *ULTRAFINO*

The B1.618 Flying Tourbillon UltraFino refines the concept of ultra-thin mechanical watchmaking, where precision engineering and structural efficiency converge in a timepiece designed for uninterrupted wear. Its construction prioritizes **elegance and resilience**, maintaining mechanical integrity within an exceptionally slim profile.

At its core lies Bianchet's **in-house movement, measuring just 3.85mm thick**—the result of reimagining traditional watchmaking to achieve both thinness and performance. The flying tourbillon, paired with a golden rotor, enhances the movement's efficiency while preserving a sense of depth and lightness. **Every component is positioned with purpose, ensuring functionality remains uncompromised within the caliber's refined architecture.**

With **shock resistance up to 5000G and water resistance of 5ATM**. The **8.9mm-thick case**, available in high-density carbon or titanium, offers strength without excess weight. Designed to be worn effortlessly, the B1.618 Flying Tourbillon UltraFino embodies technical sophistication and refined practicality.





B 1.618

FLYING TOURBILLON
ULTRAFINO

Skeleton Titanium Blue

REF. SKU: UFFTSKTNBL







B 1.618

FLYING TOURBILLON

ULTRAFINO

Skeleton Titanium Red

REF. SKU: UFFTSKTNRD







B 1.618

FLYING TOURBILLON
ULTRAFINO

Dial Titanium Black
REF. SKU: UFFDNLTNBK







B 1.618

FLYING TOURBILLON
ULTRAFINO

Dial Titanium Blue
REF. SKU: UFFTDLTNBL







B 1.618

FLYING TOURBILLON
ULTRAFINO

Skeleton Carbon White

REF. SKU: UFFTSKCBW







B 1.618

FLYING TOURBILLON

ULTRAFINO

Skeleton Carbon Red

REF. SKU: UFFTSKCBRD







B 1.618

FLYING TOURBILLON
ULTRAFINO

Skeleton Carbon Sky Blue

REF. SKU: UFFTSKCBSB





TECHNICAL SPECIFICATIONS

FLYING TOURBILLON ULTRAFINO

DESCRIPTION

Automatic Flying Tourbillon in titanium

Water resistance : 5 ATM

Shock resistance : 5000Gs

Swiss Made

MOVEMENT

- Caliber Blanchet UT01
- Flying Tourbillon 60 seconds
- Power Reserve: 60 hours (+/-5%)
- Main plate and bridges in grade 5 titanium
- Tourbillon cage in grade 5 titanium
- Frequency: 3hz - 21'600 vibrations/hour
- Balance wheel with variable inertia
- Suspended barrel
- Adapted to 6 positions
- 29 Jewels
- Movement thickness : 3.85mm

Finishing

- Finished by hand. Sand-blasted, satin-brushed, and polished. Hand finishing include hand-bevelling on main plate, bridges and tourbillon cage.

CASE

Materials

- Grade 5 Titanium, or High-Density Carbon with vulcanized rubber.
- Crown in Grade 5 Titanium.

Finishing

- Case finished by hand.
- Hand-polished crown.

Glass

- Glare-proof sapphire crystal on bezel and back.

Dimensions

- W: 40mm L: 47.39mm H: 8.9mm

STRAP

- Strap 1 : integrated Grade 5 Titanium bracelet, or intergrated High Density Carbon bracelet
- Strap 2 : natural vulcanized rubber with titanium folding clasp

Guarantee 5 years



BLANCHET

SWISS

MADE

S FLYING TOURBILLON *SPORT GMT*

The **Flying Tourbillon Sport GMT** is engineered with a focus on agility, precision, and endurance. Its construction prioritizes lightness and ergonomics, ensuring effortless wearability in dynamic environments. The case is shaped for fluidity, designed to sit securely on the wrist while allowing complete freedom of movement.

The **GMT dual-time function** offers two ways to track time across different time zones—through either the central hands or the **24-hour Night & Day indicator**. A function selector ensures intuitive operation, while the rotating **Earth globe**, positioned alongside the central hour hand, serves as a reminder of perpetual motion and global perspective.

With **shock resistance up to 5000G** and **water resistance of 10ATM**, the Sport GMT is built for a dynamic lifestyle, whether on land or in water. **Its limited production of 100 pieces per year**





B 1.618

FLYING TOURBILLON
SPORT GMT

Carbon White

REF. SKU: CBWFTSG4







B 1.618

FLYING TOURBILLON SPORT GMT

Carbon Sky Blue

REF. SKU: CBSBFTSG4





BIANCHET

20 22 24 2 4 6 8 10 12 14 16 18

H
R
GMT

SWISS MADE

F3



B 1.618

FLYING TOURBILLON
SPORT GMT

Carbon Red

REF. SKU: CBRFTSG4





B 1.618

FLYING TOURBILLON SPORT GMT

Carbon Fern Green

REF. SKU: CBFGFTSG4





BIANCHET

20 22 24 2 4 6 8 10 12 14 16 18

H
R
GMT

SWISS MADE

F3

B 1.618

FLYING TOURBILLON SPORT GMT

Hybrid Sky Blue

REF. SKU: HBSBFTSG4







B 1.618

FLYING TOURBILLON
SPORT GMT

Hybrid Red

REF. SKU: HBRFTSG4







B 1.618

FLYING TOURBILLON
SPORT GMT

Hybrid Gold

REF. SKU: HBGLFTSG4



Limited edition of 21 pieces



BIANCHET

20 22 24 2 4 6 8 10 12 14 16 18

H
R
GMT

SWISS MADE

TECHNICAL SPECIFICATIONS

FLYING TOURBILLON SPORT GMT

DESCRIPTION

Manual Wound Flying Tourbillon with GMT
Complication

Power Reserve: 90 hours (+/-5%)

Water resistance: 10 ATM

Weight: 56g (w/o strap)

Swiss Made

MOVEMENT

- In-house Flying Tourbillon 60 seconds
- Grade 5 Titanium main plate and bridges.
- Grade 5 Titanium tourbillon cage mounted on ball bearings.
- Frequency: 3hz - 21'600 vibrations/hour.
- Dual time GMT complication with Night&Day indicator.
- Crown function indicator.
- Balance wheel with variable inertia.
- Adapted to 6 positions.
- 20 Jewels

Finishing

- Sand-blasted, satin-brushed plates & bridges, with hand-bevelling on titanium parts.
- PVD black finish.
- Lacquer applied by hand.

CASE

Materials

- Titanium-Dust High-Density Carbon. Natural vulcanized rubber.
- Crown in Grade 5 Titanium.

Finishing

- Case finished by hand.
- Hand-polished crown.

Glass

- Glare-proof sapphire crystal on bezel and back.

Dimensions

- W: 43mm L: 51mm H: 14.35mm

STRAP

- Natural vulcanized rubber
- Grade 5 titanium folding clasp

Guarantee 5 years



G FLYING TOURBILLON *GRANDE DATE*

The **Flying Tourbillon Grande Date** is designed for both mechanical depth and refined readability. Its **openworked architecture** allows light to reveal the movement's intricacy, while the big date complication enhances legibility without disrupting the balance of the design.

Encased in Titanium-Dust High-Density Carbon, it achieves both structural integrity and a lightweight presence. **Built to withstand 5000G of shock resistance and 10ATM of water resistance**, it is engineered for resilience in varied conditions. The flying tourbillon, suspended without an upper bridge, remains in continuous motion—an expression of precision and refinement.

Assembled in La Chaux-de-Fonds, each piece undergoes meticulous finishing. With **100 pieces produced annually**, it represents a contemporary vision of craftsmanship, performance, and balance.



B 1.618

FLYING TOURBILLON GRANDE DATE



Carbon Sky Blue

REF. SKU: CBSBFTGD4



B 1.618

FLYING TOURBILLON
GRANDE DATE



Carbon Lime

REF. SKU: CBLFTGD4



BIANCHET

60

SWISS MADE

B 1.618

FLYING TOURBILLON
GRANDE DATE

Carbon White

REF. SKU: CBWFTGD4





B 1.618

FLYING TOURBILLON

GRANDE DATE

Carbon Red

REF. SKU: CBRFTGD4





BIANCHET

60

F3

SWISS MADE

B 1.618

FLYING TOURBILLON
GRANDE DATE



Carbon Earth

REF. SKU: CBEFTGD4





B 1.618

FLYING TOURBILLON

GRANDE DATE



Carbon Orange

REF. SKU: CBOFTGD4



BIANCHET

60

SWISS MADE

B 1.618

FLYING TOURBILLON GRANDE DATE



Hybrid Blue

REF. SKU: HBBFTGD4



B 1.618

FLYING TOURBILLON GRANDE DATE



Hybrid Gren

REF. SKU: HBGFTGD4





B 1.618

FLYING TOURBILLON
GRANDE DATE

Hybrid Gold

REF. SKU: HBGLFTGD4



Limited edition of 21 pieces





B 1.618

FLYING TOURBILLON GRANDE DATE

Sapphire White

REF. SKU: SWFTGD4



Limited edition of 21 pieces



B
BIANCHET
TOURBILLON WATCHES

X


MSG RACING

Bianchet and Maserati-MSG Racing collaboration was born from a convergence of shared values, centered around style, sportiness, and performance. Both brands are renowned for their commitment to **excellence in design and engineering**, making their collaboration a natural fit.

The Maserati-MSG Racing team, competing in the FIA Formula E World Championship, embodies the pinnacle of motorsport performance, while Bianchet stands as a symbol of style, cutting-edge precision, and luxury in the watchmaking world.

Bianchet and Maserati-MSG Racing have joined forces to release a Grande Date timepiece available in **two limited editions of 21 pieces** each. These very exclusive tourbillon watches encapsulate the essence of both brands, blending the cutting-edge technology of the Formula E racing circuit with the exquisite craftsmanship of Swiss Haute Horlogerie, and a strong Italian design heritage.

Bringing future-focussed performance to car racing and watchmaking, both brands are motivated by an audacious dream to forge a legacy, where **high-performance and sustainability** powerfully co-exist.





MSG RACING





BIANCHET

TOURBILLON WATCHES





B 1.618

FLYING TOURBILLON



MASERATI

MSG RACING

Carbon Blue

REF. SKU: CBBFTMST4



Limited edition of 21 pieces





B 1.618

FLYING TOURBILLON



MASERATI

MSG RACING

Hybrid Blue

REF. SKU: HBBFTMST4



Limited edition of 21 pieces



Maserati
RACING

SWISS MADE

60

30

15



TECHNICAL SPECIFICATIONS

FLYING TOURBILLON GRANDE DATE

DESCRIPTION

Manual Wound Flying Tourbillon with Grande Date Complication

Power Reserve: 90 hours (+/-5%)

Water resistance: 10 ATM

Weight: 55g (w/o strap)

Swiss Made

MOVEMENT

- In-house Flying Tourbillon 60 seconds
- Grade 5 Titanium main plate and bridges.
- Grade 5 Titanium tourbillon cage mounted on ball bearings.
- Frequency: 3hz - 21'600 vibrations/hour. -
- Skeletonized Grande Date complication.
- Balance wheel with variable inertia.
- Adapted to 6 positions.
- 20 Jewels

Finishing

- Sand-blasted, satin-brushed plates & bridges, with hand-bevelling on titanium parts.
- PVD black finish.
- Lacquer applied by hand.

CASE

Materials

- Titanium-Dust High-Density Carbon. Natural vulcanized rubber.
- Crown in Grade 5 Titanium.

Finishing

- Case finished by hand.
- Hand-polished crown.

Glass

- Glare-proof sapphire crystal on bezel and back.

Dimensions

- W: 43mm L: 51mm H: 14.35mm

STRAP

- Natural vulcanized rubber
- Grade 5 titanium folding clasp

Guarantee 5 years





BIANCHET SA
contact@bianchet.com
www.bianchet.com
T +41 32 926 23 01

BIANCHET SHOWROOM
1 rue de la Promenade Noire
2000 Neuchâtel
Switzerland

В