

Frameless Shower Door

Frameless Shower Door | Shower Glass Clamps | Handles & Towel Bars | Shower Header Kits & Channels | Sliding Door Kits



Who We Are

Glass & Glazing Hardware is a trusted supplier of premium architectural and glazing hardware solutions across the United States. We provide high quality products including shower hardware, sliding systems, railing components, and door fittings designed for durability, performance, and modern design. Backed by industry expertise and dependable service, we support contractors, glaziers, and designers with reliable solutions built to get the job done right.



Contact Us




-  ggh-usa.com
-  1-877-999-4628
-  sales@ggh-usa.com



Table Of Contents

01 Frameless Shower Door

06	Jennifer Series	09	Colette Series	12	Shower Sweeps
07	Beverly Series	10	Cara Series	14	Shower Hinge Accessories
08	Vivian Series	11	Piper Series		

02 Shower Glass Clamps

16	2"x2" Glass Clamps	19	1.75"x1.75" Glass Clamps
18	Beveled Clamps	20	Sleeve Over Glass Clamps
19	SQ Transom Clamps		

03 Handles & Towel Bars

22	6"x6" Shower Handles	25	6"x24" Handle TB Combo	28	18"X18" Shower Towel Bars
23	8"x8" Shower Handles	26	Single sided Towel Bars	29	24"X24" Shower Towel Bars
24	6"x18" Handle TB Combo	27	12"x12" Shower Handles	30	Shower Robe Hooks & Knobs

04 Shower U Channels

31	Shower U-Channel
32	Shower End Cap
34	Mirror L & J Channels

05 Shower Header Kits

36	Shower Header Kit	40	Shower Support Bar
37	Header Kit Accessories		
38	Shower Shelf Clamps		

06 Sliding Door Kits

42	Tranquility Series	45	LUNA Series
43	CAMI Series		
44	HYDRO Series		

07 GGH Color Sample Kit

50	Color Sample Kit
----	------------------

GGH Finishes

At Glass & Glazing Hardware, we believe the finish is more than just surface-level—it's the final touch that defines the look, feel, and performance of your space. That's why GGH offers a curated selection of premium finishes across our product lines, designed to complement a wide range of architectural styles and applications.

This color tower was created for one-time distribution only. For the most up-to-date selection of available finishes, please visit our website at ggh-usa.com.

The following finishes were available at the time this catalog was printed:

Chrome, Brushed Nickel, Matte Black, Satin Brass, Polished Nickel, Brushed Bronze, Gun Metal, Oil Rubbed Bronze, White, Antique Brass, Polish Brass, Brushed Stainless Steel, Polished Stainless Steel, Satin Anodized, and Custom Finishes.

Frameless Shower Hardware



Railing Hardware



Commercial Finishes



01 FRAMELESS SHOWER DOOR

Frameless Shower Door Hinges & Pivots

Jennifer Series	06	Cara Series	10
Beverly Series	07	Piper Series	11
Vivian Series	08	Shower Sweeps	12
Colette Series	09	Shower Hinge Accessories	14



Jennifer Series

Shower Hinges - Square



SQUARE PROFILE



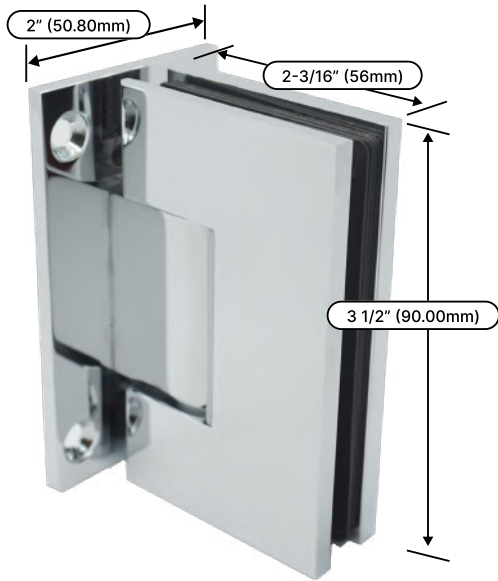
USE ONLY MONOLITHIC OR TEMP/LAMI GLASS



INSTALLER'S FAVORITE
Drill & Spade Bits



FASTER & EASIER INSTALLATION
PRE GLUDE GASKET



Includes: Hinge, Glazing Gaskets, Wall Mounting Screws, Allen Head/Phillips Head Cover Plate Screws, and View Fabrication Template Online

Key Features

- Material: Durable, high-strength brass
- Glass Fit: 5/16" to 1/2" (8-12 mm)
- Grip: Pre-glued anti-slip gaskets for secure hold
- Adjustability: 5° reversible pin for easy alignment
- Install: Quick install with standard tools

Specification

NO. Hinges	Thickness	MAX. Door Width	MAX. Weight
2 Hinges	5/16" to 1/2"	28" (711mm)	80lbs. (36kg)
3 Hinges	(8 to 12 mm)	32" (813mm)	120lbs. (54kg)

Finishes

Check the website for available finishes, in-stock products. As we build our inventory, more finishes will be available.

- Chrome
- Satin Brass
- Gun Metal
- Polished Brass
- Brushed Nickel
- Polished Nickel
- Brushed Bronze
- White
- Matte Black
- Oil Rubbed Bronze
- Antique Brass
- Custom Finishes

For glass fabrication details, CAD files, and the latest product information, please visit our website.



JEN037
Full Plate
Wall to Glass



JEN044
Offset Plate
Wall to Glass

Heavy Duty



JEN074
Short Back Plate
Wall to Glass



JEN180
Glass Mount 180°
Glass to Glass



JEN092
Glass Mount 90°
Glass to Glass



JEN045
Glass Mount 135°
Glass to Glass

Beverly Series

Beveled Shower Hinges - Round



ROUND PROFILE



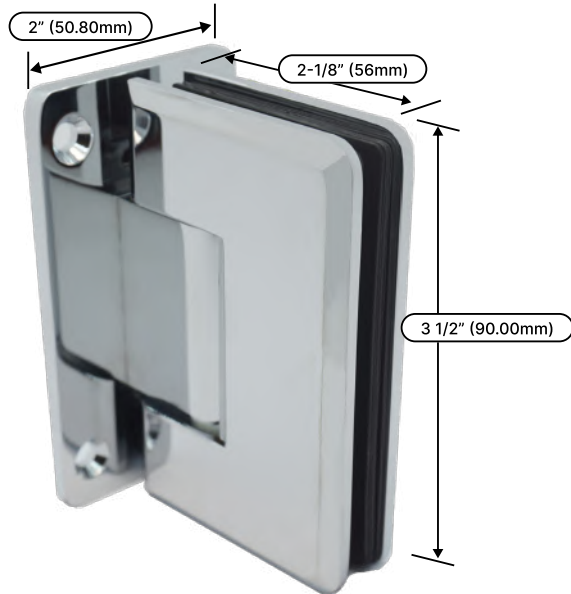
USE ONLY MONOLITHIC OR TEMP/LAMI GLASS



INSTALLER'S FAVORITE
Drill & Spade Bits



FASTER & EASIER INSTALLATION
PRE GLUE GASKET



Key Features

- Material: Durable, high-strength brass
- Glass Fit: 5/16" to 1/2" (8–12 mm)
- Grip: Pre-glued anti-slip gaskets for secure hold
- Adjustability: 5° reversible pin for easy alignment
- Install: Quick installation with standard tools

Specification

NO. Hinges	Thickness	MAX. Door Width	MAX. Weight
2 Hinges	5/16" to 1/2"	28" (711mm)	80lbs. (36kg)
3 Hinges	(8 to 12 mm)	32" (813mm)	120lbs. (54kg)

Finishes

Check the website for available finishes, in-stock products. As we build our inventory, more finishes will be available.



For glass fabrication details, CAD files, and the latest product information, please visit our website.



BEV037
Beveled Full Plate
Wall to Glass



BEV044
Beveled Offset Plate
Wall to Glass



BEV074
Beveled Short Back
Plate / Wall to Glass



BEV180
Beveled Glass Mount
180° / Glass to Glass



BEV092
Beveled Glass Mount
90° / Glass to Glass



BEV045
Beveled Glass Mount
135° / Glass to Glass



Vivian Series

Shower Hinges - Square Heavy Duty



Key Features

- Material: Durable, high-strength brass
- Glass Fit: 5/16" to 1/2" (8-12 mm)
- Grip: Pre-glued anti-slip gaskets for secure hold
- Adjustability: 5° reversible pin for easy alignment
- Install: Quick install with standard tools

Specification

NO. Hinges	Thickness	MAX. Door Width	MAX. Weight
2 Hinges	3/8" to 1/2"	36" (914mm)	110lbs. (50kg)
3 Hinges	(10 to 12 mm)	36" (914mm)	140lbs. (63kg)

Finishes

Check the website for available finishes, in-stock products. As we build our inventory, more finishes will be available.

- Chrome
- Satin Brass
- Gun Metal
- Polished Brass
- Brushed Nickel
- Polished Nickel
- Brushed Bronze
- White
- Matte Black
- Oil Rubbed Bronze
- Antique Brass
- Custom Finishes

For glass fabrication details, CAD files, and the latest product information, please visit our website.



VIV037

Square HD Full Plate Wall to Glass



VIV044

Square HD Offset Plate Wall to Glass



VIV074

Square HD Short Back Plate / Wall to glass



VIV180

Square HD 180° Glass to Glass



VIV092

Square HD 90° Glass to Glass



VIV045

Square HD Neo Angle 135° Glass to Glass



Colette Series

Shower Hinges - Beveled Heavy Duty



ROUND PROFILE



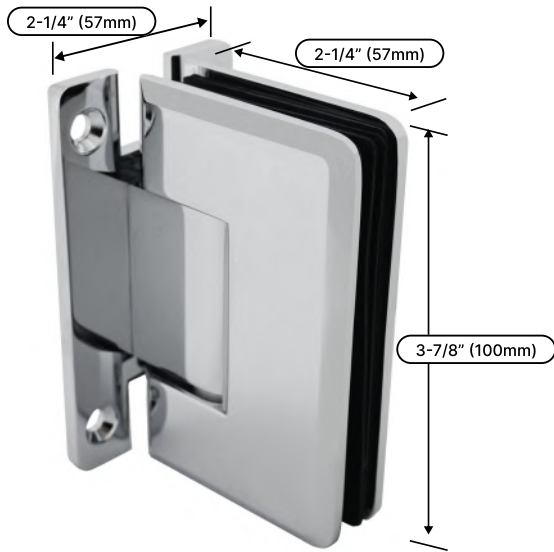
USE ONLY MONOLITHIC OR TEMP/LAMI GLASS



INSTALLER'S FAVORITE
Drill & Spade Bits



FASTER & EASIER INSTALLATION
PRE GLUDE GASKET



Includes: Hinge, Glazing Gaskets, Wall Mounting Screws, Allen Head/Phillips Head Cover Plate Screws, and View Fabrication Template Online

Key Features

- Material: High-strength, corrosion-resistant brass
- Glass Fit: Compatible with 3/8" to 1/2" (10-12 mm) glass
- Grip: Pre-glued Anti-Slip Gaskets for Secure Hold
- Adjustability: 5° Reversible Pin for Precise Alignment
- Installation: Quick and easy with standard tools

Specification

NO. Hinges	Thickness	MAX. Door Width	MAX. Weight
2 Hinges	3/8" to 1/2"	36" (914mm)	110 lbs (50 kg)
3 Hinges	(10 to 12 mm)	36" (914mm)	140 lbs (63 kg)

Finishes

Check the website for available finishes, in-stock products. As we build our inventory, more finishes will be available.

- Chrome
- Satin Brass
- Gun Metal
- Polished Brass
- Brushed Nickel
- Polished Nickel
- Brushed Bronze
- White
- Matte Black
- Oil Rubbed Bronze
- Antique Brass
- Custom Finishes

For glass fabrication details, CAD files, and the latest product information, please visit our website.



COLE037
Beveled HD 90°
Glass to wall



COLE180
Beveled HD 180°
Glass to Glass



COLE092
Beveled HD 90°
Glass to Glass



COLE045
Beveled HD 135°
Glass to Glass



Cara Series

Square Pivot



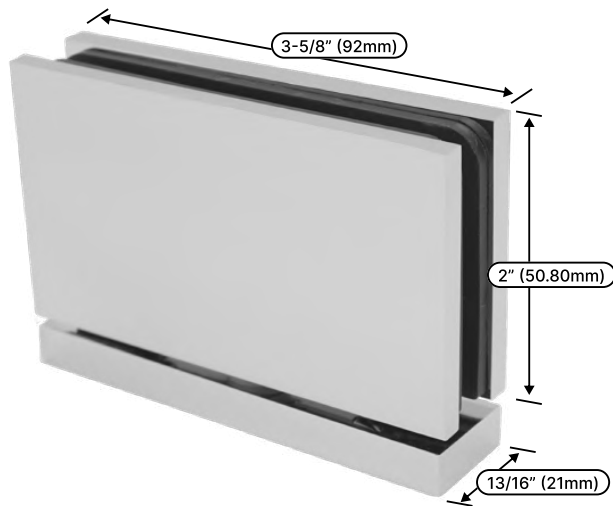
SQUARE PROFILE



USE ONLY MONOLITHIC OR TEMP/LAMI GLASS



FASTER & EASIER INSTALLATION PRE GLUDE GASKET



CARA01

Square Pivot
Floor / Ceiling to Glass

Key Features

- Materials: Solid brass construction with stainless steel pins and spring for enhanced durability.
- Glass Compatibility: Suitable for glass thicknesses of 5/16" to 3/8" (8 to 10 mm).
- Pivot Mechanism: Smooth, reliable pivot action for easy door operation.
- Installation: Easy installation with standard tools.
- Warranty: 5-year manufacturer warranty for peace of mind.

Specification

NO. Hinges	Thickness	MAX. Door Width	MAX. Weight
2 x Regular	5/16" to 1/2"	31" (787mm)	100lbs. (45kg)
2 x Heavy	(8 to 12mm)	36"(914mm)	45 lbs. (66 kg)

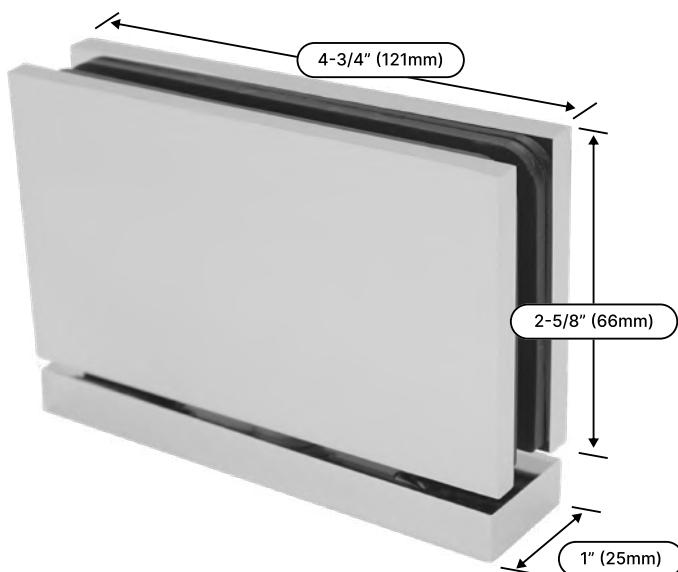
Finishes

Check the website for available finishes, in-stock products. As we build our inventory, more finishes will be available.

- Chrome
- Satin Brass
- Gun Metal
- Polished Brass
- Brushed Nickel
- Polished Nickel
- Brushed Bronze
- White
- Matte Black
- Oil Rubbed Bronze
- Antique Brass
- Custom Finishes

For glass fabrication details, CAD files, and the latest product information, please visit our website.

Heavy Duty



HDCARA01

Square HD Pivot - Floor/ Ceiling to Glass



Piper Series

Beveled Pivot



ROUND PROFILE



USE ONLY MONOLITHIC OR TEMP/LAMI GLASS



FASTER & EASIER INSTALLATION PRE GLUE GASKET



PIP01

Beveled Pivot
Floor / Ceiling to Glass

Key Features

- Materials: Solid brass construction with stainless steel pins and spring for enhanced durability.
- Glass Compatibility: Suitable for glass thicknesses of 5/16" to 3/8" (8 to 10 mm).
- Pivot Mechanism: Smooth, reliable pivot action for easy door operation.
- Installation: Easy installation with standard tools.
- Warranty: 5-year manufacturer warranty for peace of mind.

Specification

NO. Hinges	Thickness	MAX. Door Width	MAX. Weight
2 x Regular	5/16" to 1/2"	31" (787mm)	100lbs. (45kg)
2 x Heavy	(8 to 12mm)	36"(914mm)	45 lbs. (66 kg)

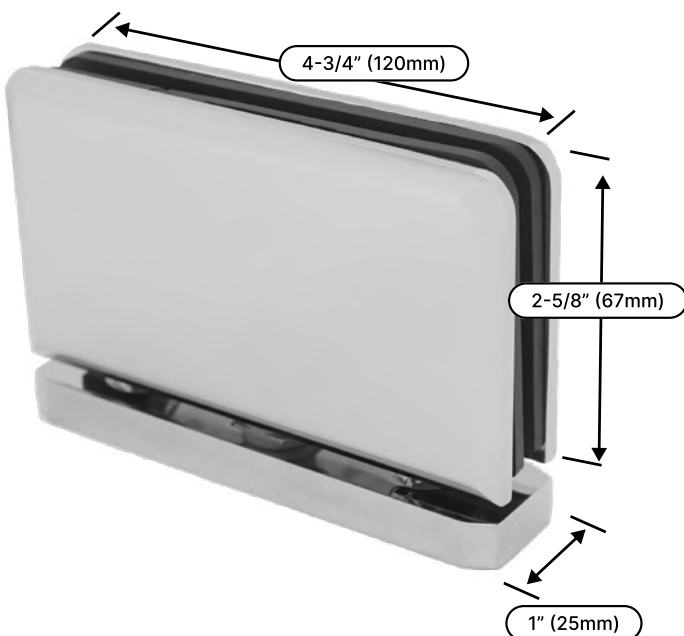
Finishes

Check the website for available finishes, in-stock products. As we build our inventory, more finishes will be available.

- Chrome
- Satin Brass
- Gun Metal
- Polished Brass
- Brushed Nickel
- Polished Nickel
- Brushed Bronze
- White
- Matte Black
- Oil Rubbed Bronze
- Antique Brass
- Custom Finishes

For glass fabrication details, CAD files, and the latest product information, please visit our website.

Heavy Duty



HDPIP01

Beveled Pivot - Floor / Ceiling to Glass



Shower Sweeps - Ultra Clear 3/8" Glass



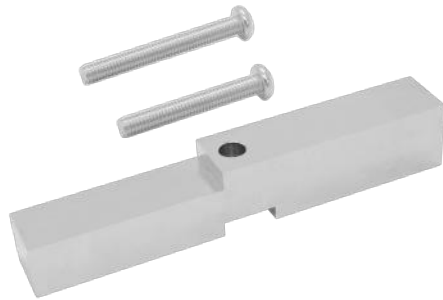
<p>Clear Black</p> <p>SWPBWDR Bottom Wipe With Drip Rail For 3/8" Glass - 95" Length</p>	<p>Clear Black</p> <p>SWPH H Seal For 3/8" Glass - 95" Length</p>	<p>Clear Black</p> <p>SWPL L Seal For 3/8" Glass - 95" Length</p>	<p>Clear Black</p> <p>SWPY Y Seal For 3/8" Glass - 95" Length</p>
<p>Pre applied tape</p> <p>GAPSWPG2G Clear Copolymer Strip - 180° For 3/8" Glass - 95" Length</p>	<p>Clear Black</p> <p>SWPB Bulb Seal For 3/8" Glass - 95" Length</p>	<p>Clear Black</p> <p>SWPT T Seal - 2 Piece Sweep For 3/8" Glass - 95" Length</p>	<p>SWPHS Side / Bottom Seal For 3/8" Glass - 95" Length</p>
<p>SWPS Slide Seal For 3/8" Glass - 95" Length</p>	<p>1. Bulb Seal mounted To Glass 2. Bulb Seal Mounted To Wall</p> <p>Pre applied tape</p> <p>GAPSW Bulb-Side Gap Seal 98" Length</p>	<p>GAPSWPFIN Double Fin Gap Seal 95" Length</p>	

Shower Sweeps - Ultra Clear 1/2" (12mm) Glass



<p>Clear Black</p> <p>SWPBWDR12 Bottom Wipe With Drip Rail For 1/2" Glass - 95" Length</p>	<p>Clear Black</p> <p>SWPH12 H Seal For 1/2" Glass - 95" Length</p>	<p>Clear Black</p> <p>SWPL12 L Seal For 1/2" Glass - 95" Length</p>	<p>Clear Black</p> <p>SWPY12 Y Seal For 1/2" Glass - 95" Length</p>
<p>Pre applied tape</p> <p>GAPSWPG2G12 Clear Copolymer Strip - 180° For 1/2" Glass - 95" Length</p>	<p>Clear Black</p> <p>SWPB12 Bulb Seal For 1/2" Glass - 95" Length</p>	<p>Clear Black</p> <p>SWPT12 T Seal - 2 Piece Sweep For 1/2" Glass - 95" Length</p>	<p>SWPMWS Weather Strip Sweep For 1/2" Glass - 95" Length</p>

Shower Hinge Accessories

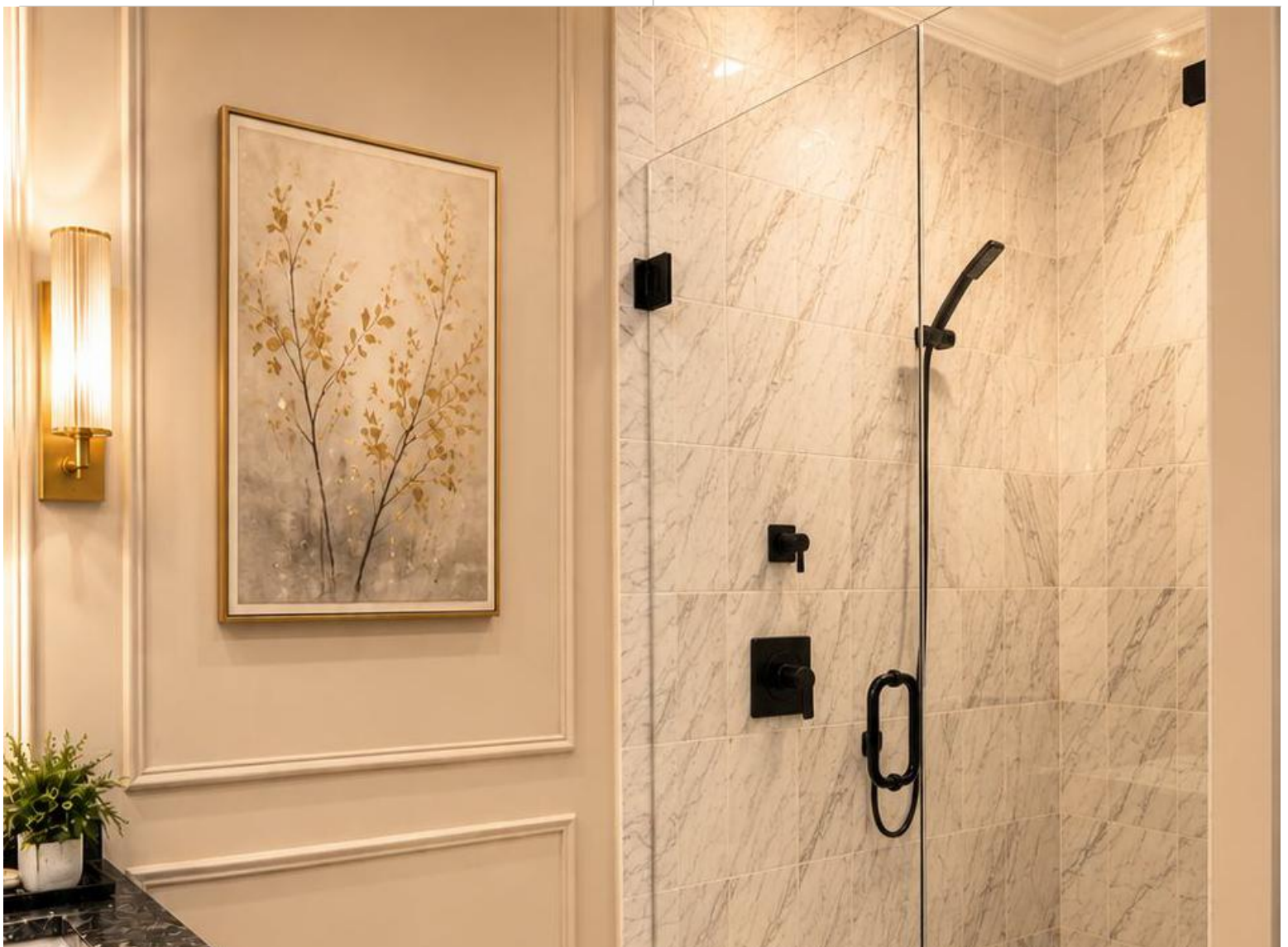


HA01
Shower Header Adapter Block

Heavy Duty



HDHA01
HD Shower Header Adapter Block / Wall to Glass



01 FRAMELESS SHOWER DOOR

Shower Glass Clamps

*Anti slip line from Jennifer Hinges

2"x2" Glass Clamps	16	Sleeve Over Glass Clamps	20
Beveled Clamps	18		
SQ Transom Clamps	19		
1.75"x1.75" Glass Clamps	19		

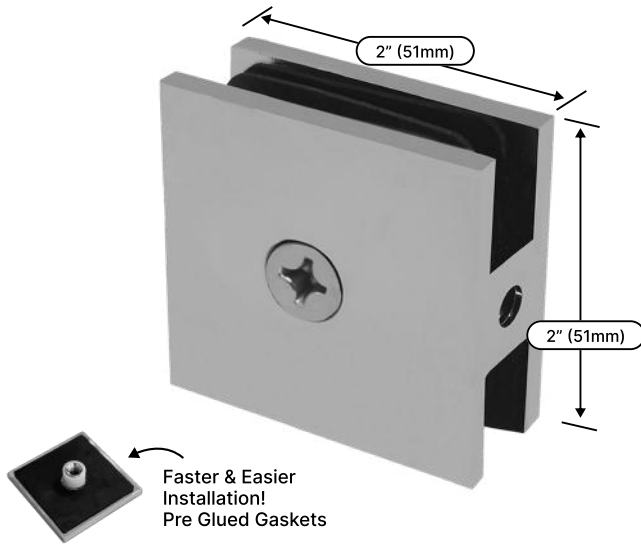


5
YEAR
WARRANTY

USE ONLY
MONOLITHIC OR
TEMP/LAMI
GLASS

2"x2" Glass Clamps

Square Fixed Panel U-Clamp



Faster & Easier Installation!
Pre Glued Gaskets

Key Features

- Material: Solid brass for strength and durability
- Glass Fit: 3/8" to 1/2" (10-12 mm) tempered glass
- Hole Size: Requires 5/8" to 3/4" (16-19 mm) diameter
- Installation: Easy with standard tools
- Adjustment: Fixed (non-adjustable)
- Warranty: 5-year limited warranty

Finishes

Check the website for available finishes, in-stock products. As we build our inventory, more finishes will be available.

- | | | | |
|----------------|-------------------|----------------|-----------------|
| Chrome | Satin Brass | Gun Metal | Polished Brass |
| Brushed Nickel | Polished Nickel | Brushed Bronze | White |
| Matte Black | Oil Rubbed Bronze | Antique Brass | Custom Finishes |

For glass fabrication details, CAD files, and the latest product information, please visit our website.



SQU4
Hole-in-Glass Style
Wall Mount Clamp

Heavy Duty



SQU2H
Hole-in-Glass Style
Wall Mount Clamp - 2 Holes



SQC037
Short Offset Hole-in-Glass
Style Wall Mount Clamp



SQC039
Offset Hole-in-Glass Style
Wall Mount Clamp



SQC135
Hole-in-Glass Style
135° Glass to Glass



SQC90
Hole-in-Glass Style
90° Glass to Glass

2"x2" Glass Clamps

Beveled Fixed Panel U-Clamp

For glass fabrication details, CAD files, and the latest product information, please visit our website.



BEVU4
Beveled Hole-in-Glass Style
Wall Mount Clamp



BEVU2H
Beveled Hole-in-Glass Style Wall
Mount Clamp - 2 Holes

Key Features

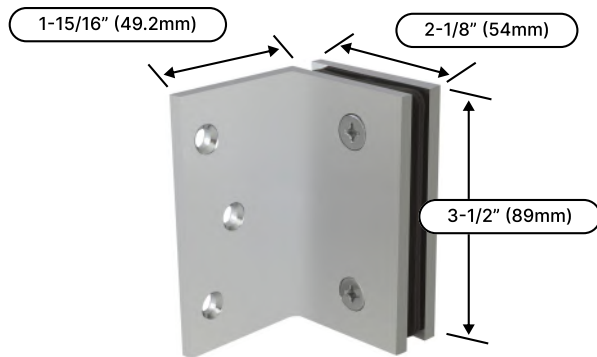
- Material: Solid brass for strength and durability
- Glass Fit: 3/8" to 1/2" (10-12 mm) tempered glass
- Hole Size: Requires 5/8" to 3/4" (16-19 mm) diameter
- Installation: Easy with standard tools
- Adjustment: Fixed (non-adjustable)
- Warranty: 5-year limited warranty

Finishes

Check the website for available finishes, in-stock products. As we build our inventory, more finishes will be available.

- | | | | |
|----------------|-------------------|----------------|-----------------|
| Chrome | Satin Brass | Gun Metal | Polished Brass |
| Brushed Nickel | Polished Nickel | Brushed Bronze | White |
| Matte Black | Oil Rubbed Bronze | Antique Brass | Custom Finishes |

Wall & Glass Mount Bracket



WMB90
Square Wall Mount Bracket - 90°

Key Features

- Materials: Made from solid brass for superior durability and strength.
- Glass Thickness Compatibility: Suitable for 5/16" to 1/2" (8 to 12 mm) tempered glass.
- Design: Available in Square & Beveled shape for a clean, modern look.
- Installation: Easy installation with standard tools

Finishes

Check the website for available finishes, in-stock products. As we build our inventory, more finishes will be available.

- | | | | |
|----------------|-------------------|----------------|-----------------|
| Chrome | Satin Brass | Gun Metal | Polished Brass |
| Brushed Nickel | Polished Nickel | Brushed Bronze | White |
| Matte Black | Oil Rubbed Bronze | Antique Brass | Custom Finishes |



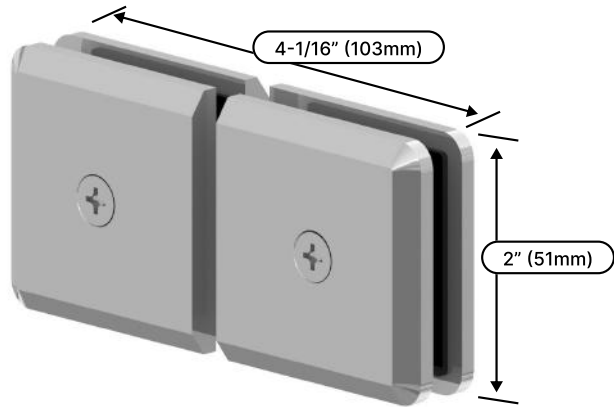
BEVWMB90
Beveled Wall Mount Bracket - 90°

Note: Visit ggh-usa.com For Glass Fabrication & Product Information.



Beveled Transom Glass Clamps

Beveled Movable Panel Clamp



Key Features

- Materials: Constructed from durable solid brass for long-lasting performance.
- Glass Thickness Compatibility: Suitable for 3/8" to 1/2" (10 to 12 mm) tempered glass.
- Design: Allows for 180° movement, offering flexibility for various glass panel arrangements.
- Installation: Easy installation with standard tools.

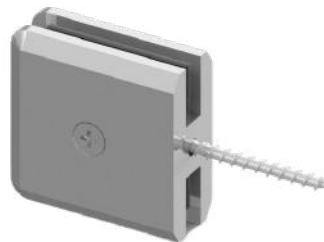
Finishes

Check the website for available finishes, in-stock products. As we build our inventory, more finishes will be available.

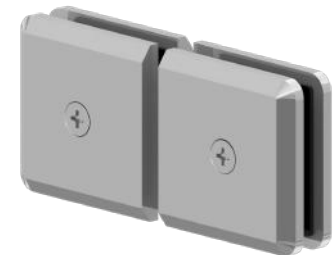
- | | | | |
|----------------|-------------------|----------------|-----------------|
| Chrome | Satin Brass | Gun Metal | Polished Brass |
| Brushed Nickel | Polished Nickel | Brushed Bronze | White |
| Matte Black | Oil Rubbed Bronze | Antique Brass | Custom Finishes |



BEVC037
Beveled Regular Duty
Wall Mount, Full Plate



BEVC186
Beveled 180° Movable Transom
Wall to Glass



BEVC188
Beveled 180° Movable
Glass to Glass



BEVC180
Beveled Regular Duty
Glass Mount 180°

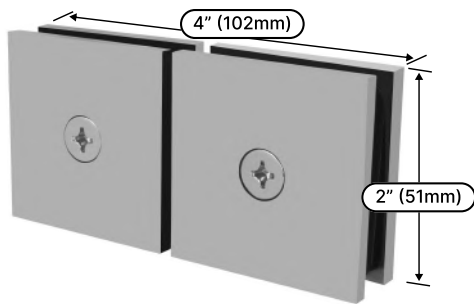


BEVC135
Beveled Regular Duty
Glass Mount, Neo Angle 135°

SQ-Transom Glass Clamps

Square Fixed Panel Clamp

For glass fabrication details, CAD files, and the latest product information, please visit our website. Stock and finish availability may vary by product.



SQC188
180° Movable Transom Glass to Glass



SQC180
180° Fixed Transom Glass to Glass



SQC186
180° Movable Transom Wall to Glass

Key Features

- Materials: Constructed from durable solid brass for long-lasting performance.
- Glass Thickness Compatibility: Suitable for 3/8" to 1/2" (10 to 12 mm) tempered glass.
- Design: Allows for 180° movement, offering flexibility for various glass panel arrangements.
- Installation: Easy installation with standard tools.

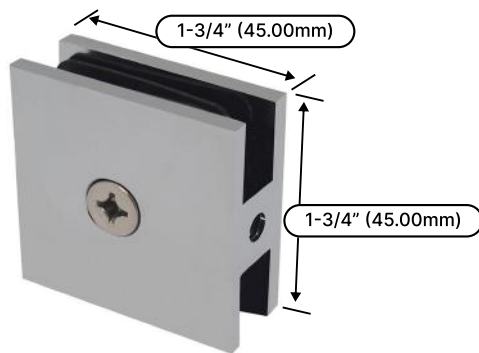
Finishes

Check the website for available finishes, in-stock products. As we build our inventory, more finishes will be available.

- | | | | |
|------------------|---------------------|------------------|-------------------|
| ● Chrome | ● Satin Brass | ● Gun Metal | ● Polished Brass |
| ● Brushed Nickel | ● Polished Nickel | ● Brushed Bronze | ● White |
| ● Matte Black | ● Oil Rubbed Bronze | ● Antique Brass | ● Custom Finishes |

1.75"x1.75" Glass Clamps

Square Fixed Panel U-Clamp



SQU77
Square Hole-in-Glass Style Wall Mount Clamp



RDU77
Round Corner Hole-in-Glass Style Wall Mount Clamp

Key Features

- Materials: Made from solid brass for exceptional durability and strength.
- Glass Thickness Compatibility: Suitable for 5/16" to 1/2" (8 to 12 mm) tempered glass.
- Installation: Easy installation with standard tools.

Finishes

Check the website for available finishes, in-stock products. As we build our inventory, more finishes will be available.

- | | | | | |
|----------|------------------|---------------|---------------|-------------------|
| ● Chrome | ● Brushed Nickel | ● Matte Black | ● Satin Brass | ● Custom Finishes |
|----------|------------------|---------------|---------------|-------------------|

Sleeve Over Glass Clamps

Fixed & Adjustable



SLOV092
Sleeve Over Glass Clamp
90° Fixed - Square

Key Features

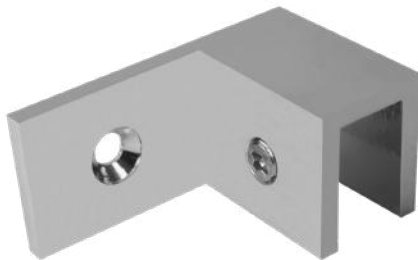
- Material: Solid brass for durability and corrosion resistance.
- Glass Compatibility: Fits 3/8"-1/2" (10-12mm) tempered glass.
- Design: Square, sleek design that complements modern shower enclosures.
- Installation: Easy to install with standard tools.

Finishes

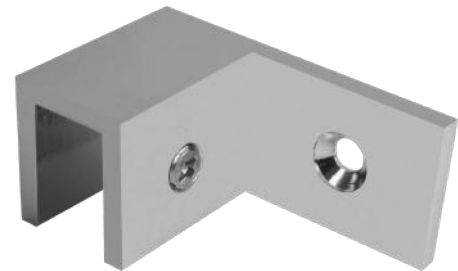
Check the website for available finishes, in-stock products. As we build our inventory, more finishes will be available.



For glass fabrication details, CAD files, and the latest product information, please visit our website.



SLOV044R
Sleeve Over Glass Clamp
Wall to Glass 90° - Offset Right



SLOV044L
Sleeve Over Glass Clamp
Wall to Glass 90° - Offset Left



SLOV345
Sleeve Over Glass Clamp
90° Adjustable - Square



SLOV045
Sleeve Over Glass Clamp
135° Fixed - Square

01 FRAMELESS SHOWER DOOR

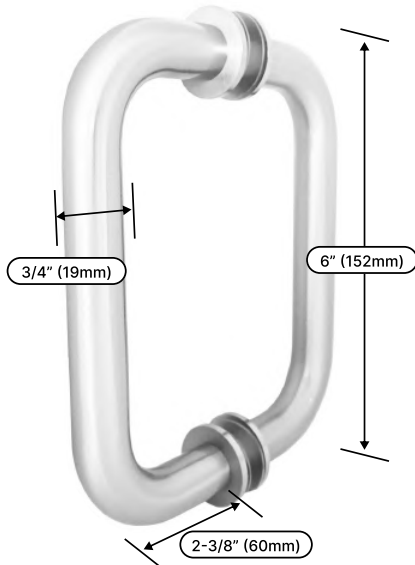
Handles & Towel Bars

6"x6" Shower Handles	22	Single sided Towel Bars	26	Shower Robe Hooks & Knobs	30
8"x8" Shower Handles	23	12"x12" Shower Handles	27		
6"x18" Handle TB Combo	24	18"x18" Shower Towel Bars	28		
6"x24" Handle TB Combo	25	24"x24" Shower Towel Bars	29		



6"x6" Shower Handles

Tubular / Square / Mitered / Ladder Pull



Key Features

- Material: Brass and Plated with anti corrosion
- Glass Thickness: 1/4" and 1/2" (6 to 12 mm)
- Fabrication Required: 2 X (Hole Size 1/2" (12 mm))
- Installation: Allen Key Provided in Box
- Threading: M6 X 1.0
- Warranty: 5 years

Finishes

Check the website for available finishes, in-stock products. As we build our inventory, more finishes will be available

- | | | | |
|----------------|-------------------|----------------|-----------------|
| Chrome | Satin Brass | Gun Metal | Polished Brass |
| Brushed Nickel | Polished Nickel | Brushed Bronze | White |
| Matte Black | Oil Rubbed Bronze | Antique Brass | Custom Finishes |

For glass fabrication details, CAD files, and the latest product information, please visit our website.



R6X6
Tubular Handle
Back to Back



S6X6
Square Handle
Back to Back



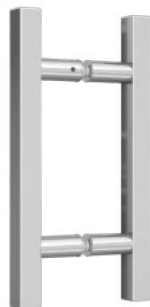
M6X6
Mitered Handle
Back to Back



L6X6
Ladder Pull Handle
Back to Back



RNW6X6
Tubular Handle / No Washers
Back to Back

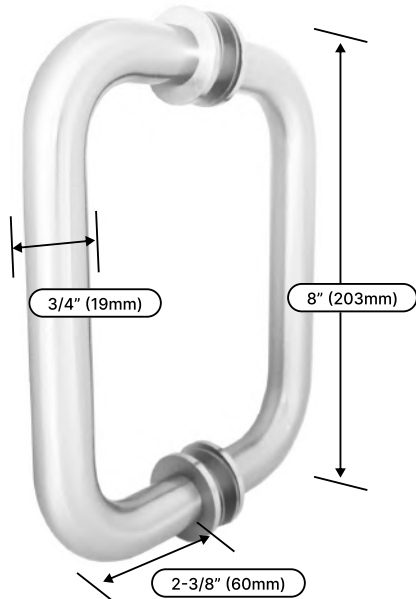


LSQ6X6
Square Ladder Pull Handle
Back to Back



8" x 8" Shower Handles

Tubular / Square / Mitered / Ladder Pull



Key Features

- Material: Brass and Plated with anti corrosion
- Glass Thickness: 1/4" and 1/2" (6 to 12 mm)
- Fabrication Required: 2 X (Hole Size 1/2" (12 mm))
- Installation: Allen Key Provided in Box
- Threading: M6 X 1.0
- Warranty: 5 years

Finishes

Check the website for available finishes, in-stock products. As we build our inventory, more finishes will be available.

- | | | | |
|----------------|-------------------|----------------|-----------------|
| Chrome | Satin Brass | Gun Metal | Polished Brass |
| Brushed Nickel | Polished Nickel | Brushed Bronze | White |
| Matte Black | Oil Rubbed Bronze | Antique Brass | Custom Finishes |

For glass fabrication details, CAD files, and the latest product information, please visit our website.



R8X8
Tubular Handle
Back to Back



S8X8
Square Handle
Back to Back



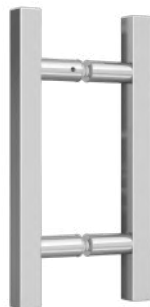
M8X8
Mitered Handle
Back to Back



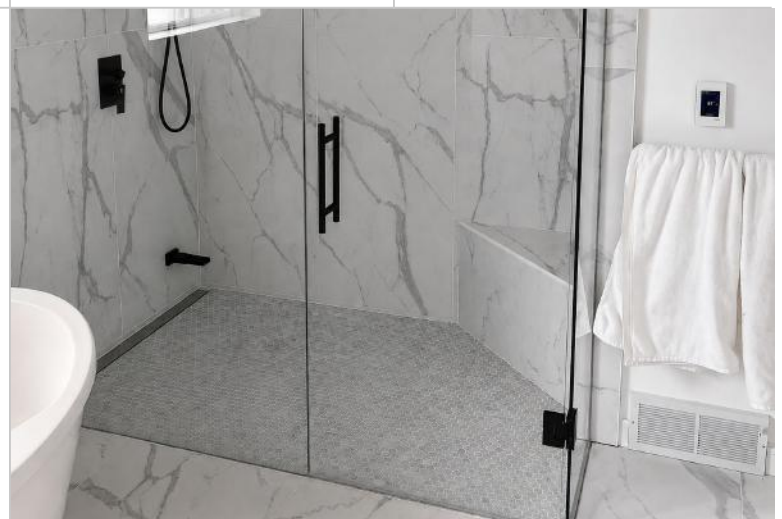
L8X8
Ladder Pull Handle
Back to Back



RNW8X8
Tubular Handle / No Washers
Back to Back

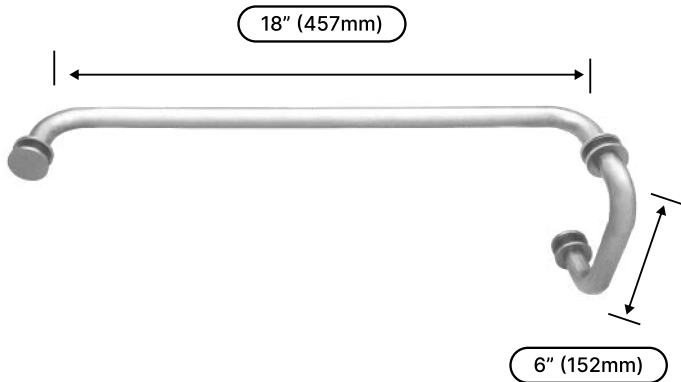


LSQ8X8
Square Ladder Pull Handle
Back to Back



6" x 18" & 8" x 18" Shower Handle Towel Bar Combo

Tubular / Square / Mitered



Key Features

- Material: High-quality 1.5mm thick tubular brass construction for durability and corrosion resistance.
- Dual Functionality: 6" handle with 18" towel bar for added use.
- Glass Compatibility: Fits 6–12 mm (1/4"–1/2") glass panels.
- Protective Design: Plastic washers prevent metal-to-glass contact.

Finishes

Check the website for available finishes, in-stock products. As we build our inventory, more finishes will be available.

- | | | | |
|----------------|-------------------|----------------|-----------------|
| Chrome | Satin Brass | Gun Metal | Polished Brass |
| Brushed Nickel | Polished Nickel | Brushed Bronze | White |
| Matte Black | Oil Rubbed Bronze | Antique Brass | Custom Finishes |

For glass fabrication details, CAD files, and the latest product information, please visit our website.

USE ONLY
MONOLITHIC OR
TEMP/LAMI GLASS

FOR
1/4"
GLASS

FOR
1/2"
GLASS

FOR
3/8"
GLASS



R6X18
R8X18

Tubular Handle / Towel Bar Combo Back to Back



S6X18
S8X18

Square Handle / Towel Bar Combo Back to Back



M6X18
M8X18

Mitered Handle / Towel Bar Combo Back to Back

No Washer



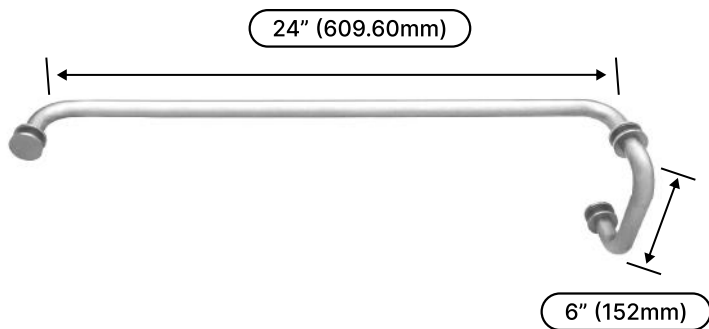
RNW6X18
RNW8X18

Tubular Handle / No washer Towel Bar Combo Back to Back



6"x24" Shower Handle Towel Bar Combo

Tubular / Square / Mitered



Key Features

- Material: 1.5mm thick tubular brass for durability and corrosion resistance.
- Dual Functionality: 6" handle with 24" towel bar for added use.
- Glass Compatibility: Fits 6–12 mm (1/4"–1/2") glass panels.
- Protective Design: Plastic washers prevent metal-to-glass contact.

Finishes

Check the website for available finishes, in-stock products. As we build our inventory, more finishes will be available.

- | | | | |
|----------------|-------------------|----------------|-----------------|
| Chrome | Satin Brass | Gun Metal | Polished Brass |
| Brushed Nickel | Polished Nickel | Brushed Bronze | White |
| Matte Black | Oil Rubbed Bronze | Antique Brass | Custom Finishes |

For glass fabrication details, CAD files, and the latest product information, please visit our website.

USE ONLY MONOLITHIC OR TEMP/LAMI GLASS

FOR 1/4" GLASS

FOR 1/2" GLASS

FOR 3/8" GLASS



R6X24

Tubular Handle / Towel Bar Combo Back to Back



S6X24

Square Handle / Towel Bar Combo Back to Back



Single Sided Towel Bars

Tubular / Square / Mitered



R18
R24

Tubular Single Sided Towel Bar 18" or 24"

Key Features

- Material: Made from 3/4" (19 mm) diameter heavy brass tubing with a 1.5 mm thickness for enhanced durability.
- Glass Compatibility: Designed to fit glass thicknesses ranging from 1/4" to 1/2" (6 to 12 mm).
- Hole Diameter Required: Requires 2x (1/2" (12 mm)Ø hole) for installation.
- Protective Design: Includes 1-1/4" (32 mm) diameter metal washers and plastic washers to protect against glass-to-metal contact.

Finishes

Check the website for available finishes, in-stock products. As we build our inventory, more finishes will be available.

-  Chrome
-  Satin Brass
-  Gun Metal
-  Polished Brass
-  Brushed Nickel
-  Polished Nickel
-  Brushed Bronze
-  White
-  Matte Black
-  Oil Rubbed Bronze
-  Antique Brass
-  Custom Finishes

For glass fabrication details, CAD files, and the latest product information, please visit our website.

Product	SKU
Tubular Single Sided Towel Bar 18" With No Washers	RNW18
Tubular Single Sided Towel Bar 24" With No Washers	RNW24
Square Single Sided Towel Bar 18"	S18
Mitered Single Sided Towel Bar 18"	M18
Square Single Sided Towel Bar 24"	S24
Mitered Single Sided Towel Bar 24"	M24



R18KNOB
R24KNOB

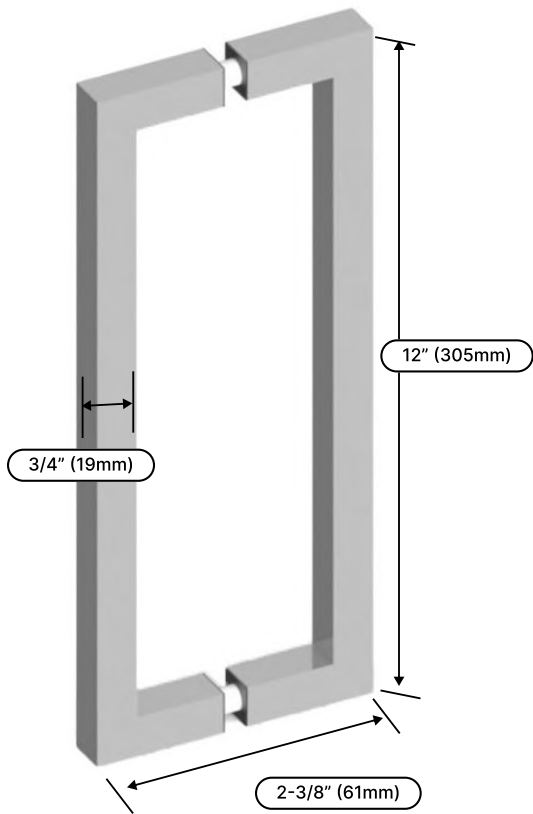
Contemporary Door Knob/ Towel Bar Combo



12"x12" Shower Handles

Round / Square / Mitered

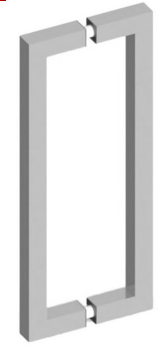
For glass fabrication details, CAD files, and the latest product information, please visit our website.



Best Seller



R12X12
Tubular Handle Back to Back



S12X12
Square Handle Back to Back

Key Features

- Materials: High-quality brass construction for strength and corrosion resistance.
- Design: Tubular design with a decorative metal washer for a sleek and modern look.
- Glass Compatibility: Designed for 1/4" to 1/2" (6 to 12 mm) glass thickness.
- Protection: Includes plastic washers to prevent metal-to-glass contact, enhancing durability.

Finishes

Check the website for available finishes, in-stock products. As we build our inventory, more finishes will be available.

- | | | | |
|----------------|-------------------|----------------|-----------------|
| Chrome | Satin Brass | Gun Metal | Polished Brass |
| Brushed Nickel | Polished Nickel | Brushed Bronze | White |
| Matte Black | Oil Rubbed Bronze | Antique Brass | Custom Finishes |



GGH Color Sample Tower
Available at www.ggh-usa.com



18" X 18" Shower Towel Bars

Tubular / Square / Mitered / No Washer

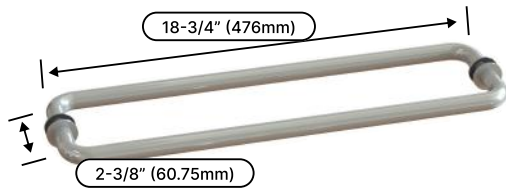
For glass fabrication details, CAD files, and the latest product information, please visit our website.

Key Features

- Construction: 3/4" (19 mm) diameter brass tubing (1.5 mm thick) for maximum strength
- Design: Back-to-back towel bar, ideal for both residential and commercial use
- Glass Compatibility: Fits glass thicknesses from 1/4" to 1/2" (6 to 12 mm)
- Hole Diameter: Requires a 2x (1/2" (12 mm)) hole diameter for installation
- Protection: Includes metal washers and plastic washers to protect against glass-to-metal contact

Finishes

Check the website for available finishes, in-stock products. As we build our inventory, more finishes will be available.



R18X18
Tubular Towel Bar Combo Back to Back



S18X18
Square Towel Bar Back to Back



M18X18
Mitered Towel Bar Combo Back to Back

New



RNW18X18
Tubular Towel Bar With No Washers Back to Back

24" X 24" Shower Towel Bars

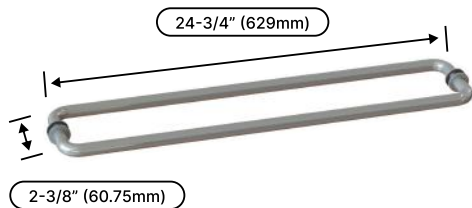
Tubular / Square / Mitered / No Washer

For glass fabrication details, CAD files, and the latest product information, please visit our website.

Key Features

- Construction: 3/4" (19 mm) diameter brass tubing (1.5 mm thick) for maximum strength
- Design: Back-to-back towel bar, ideal for both residential and commercial use
- Glass Compatibility: Fits glass thicknesses from 1/4" to 1/2" (6 to 12 mm)
- Hole Diameter: Requires a 2x (1/2" (12 mm)) hole diameter for installation
- Protection: Includes metal washers and plastic washers to protect against glass-to-metal contact

Best Seller



R24X24
Tubular Towel Bar With Washers - Back to Back



S24X24
Square Towel Bar - Back to Back



M24X24
Mitered Towel Bar - Back to Back

Sauna Handle

For glass fabrication details, CAD files, and the latest product information, please visit our website. Stock and finish availability may vary by product.


USE ONLY
MONOLITHIC OR
TEMP/LAMI GLASS

**FEATURE
PRODUCTS**

Key Features

- Heat and Moisture Resistant: Constructed from materials designed to thrive in sauna conditions.
- Grip: Ergonomic design for a secure, comfortable hold.
- Sleek Design: Perfectly suited for modern and traditional sauna aesthetics.
- Hustle Free Installation: Includes all necessary mounting hardware for easy installation.

Finishes



SAUN19LP12
Sauna Handle 12"
Square Ladder Pull Style



SAUN25LP12
Sauna Handle 12"
Tubular Ladder Pull Handle



SAUN33R17
Sauna Handle 17"
Tubular Ladder Pull Handle



SAUN25LP24
Sauna Handle 24"
Tubular Ladder Pull Handle

**Don't Burn Your Hand!
Use GGH Sauna Handles.**



Shower Door Knobs & Combo & Robe Hooks




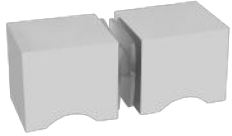


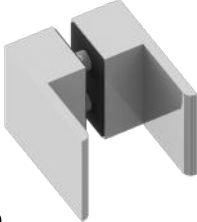
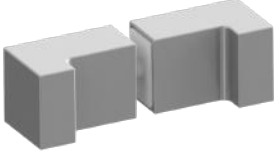






Key Features

- Material: Solid Brass for superior strength and corrosion resistance
- Glass Thickness Range: Fits 1/4" - 1/2" (6mm - 12mm) glass for versatile applications
- Height: 1" overall height for a sleek, minimalist design

Finishes

Check the website for available finishes, in-stock products. As we build our inventory, more finishes will be available.

- | | | | |
|----------------|-------------------|----------------|-----------------|
| Chrome | Satin Brass | Gun Metal | Polished Brass |
| Brushed Nickel | Polished Nickel | Brushed Bronze | White |
| Matte Black | Oil Rubbed Bronze | Antique Brass | Custom Finishes |

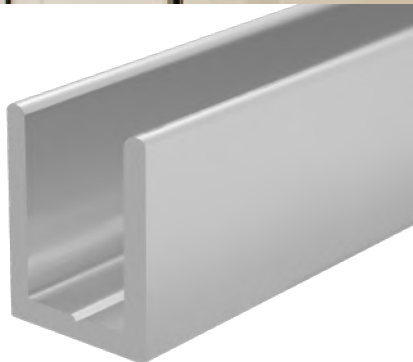
<p>BEST SELLER</p>  <p>DK100 100 Style Back to Back Knob</p>	<p>NEW</p>  <p>DK106 106 Style Back to Back Knob</p>	 <p>DK140 140 Style Back to Back Knob</p>	 <p>DKSQ SQ Style Back to Back Knob</p>
 <p>DK160 160 Style Back to Back Knob</p>		 <p>R18KNOB Door Knob with 18" Towel Bar Combo / Towel Bar Combo Back to Back</p>	
 <p>DK180 180 Style Back to Back Knob</p>	 <p>DKSQ2 SQ2 Style Back to Back Knob</p>	 <p>GRH01 Shower Robe Hooks Round Trunk Style</p>	 <p>RHRD Shower Robe Hooks Round Style</p>
<p>1-1/4" Ø Shower</p>  <p>RWRH Round Washer/Stud Kit - 1-1/4" Diameter</p>	<p>13/16" x 13/16" Shower</p>  <p>SWSH Square Washer/Stud Kit</p>	<p>13/16" x 13/16" Commercial</p>  <p>SHS Washer Kit</p>	

Shower U Channels

Shower U-Channel 31
 Shower End Cap 32



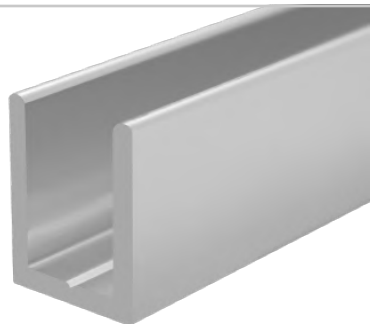
6mm to 12mm / 95"



UC9510
 95" Long Shower U Channel
 For 6 to 12mm Glass

U Channel Length	Glass Thickness	SKU
95"	10mm	UC9510
	12mm	UC9512
144"	10mm	UC14410
	12mm	UC14412

6mm to 12mm / 144"



UC14412
 144" Long Shower U Channel
 For 6 to 12mm Glass

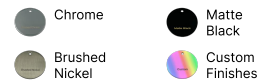
Shower End Cap

Product Overview

- **Glass Compatibility:** Suitable for 3/8" (10mm) & 1/2" (12mm) glass
- **Material:** Constructed from 6063-T5 Aluminum Alloy for strength and longevity
- **Easy Fit:** Simple and efficient to install for a quality finish

Finishes

Check the website for available finishes, in-stock products. As we build our inventory, more finishes will be available.



UCEND10 / UCEND12

End Cap For 10mm / 12mm Glass



01 FRAMELESS SHOWER DOOR

Mirror L & J Channels

Mirror L & J Channels

34



Mirror L & J Channels

Product Overview

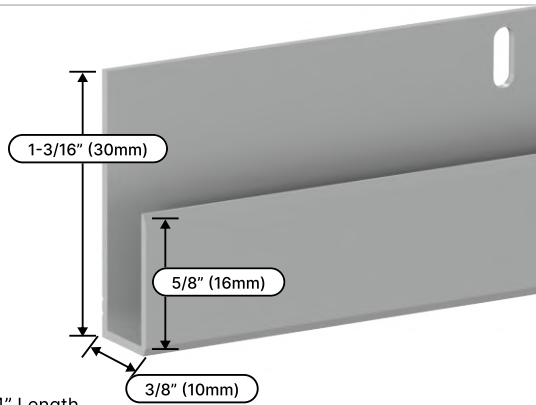
- Mirror Channels are designed for precision, durability, and a sleek finish.
- Deep Nosed J-Molding is usually used for top mirror installation
- 12FT (144") Length
- 40 Per Case

Finishes

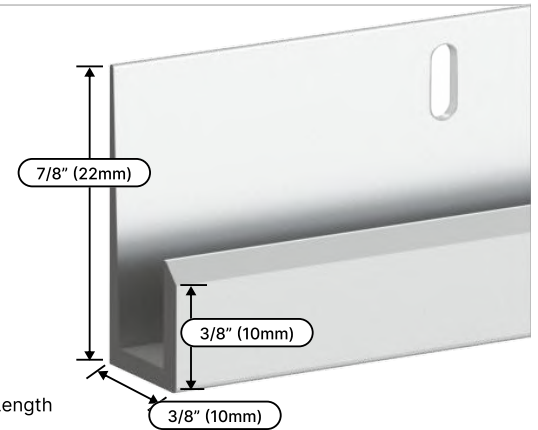
Check the website for available finishes, in-stock products. As we build our inventory, more finishes will be available.

- | | | | |
|----------------|-------------------|----------------|-----------------|
| Chrome | Satin Brass | Gun Metal | Polished Brass |
| Brushed Nickel | Polished Nickel | Brushed Bronze | White |
| Matte Black | Oil Rubbed Bronze | Antique Brass | Custom Finishes |

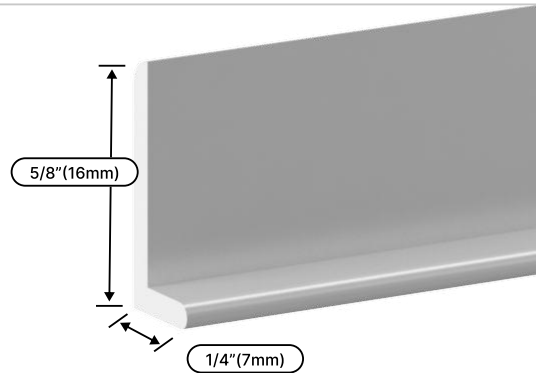
BEST SELLER



JCD144
5/8" Mirror J-Molding
Deep Nose Profile 144" Length



JCS144
3/8" Mirror J-Molding
Standard Profile 144" Length



LC1/4-144
1/4" Mirror L-Molding
Deep Nose Profile 144" Length



TH95
Shower Sliding Door Kit
Threshold



01 FRAMELESS SHOWER DOOR

Shower Header Kits

Shower Header Kit	36
Header Kit Accessories	37
Shower Shelf Clamps	38

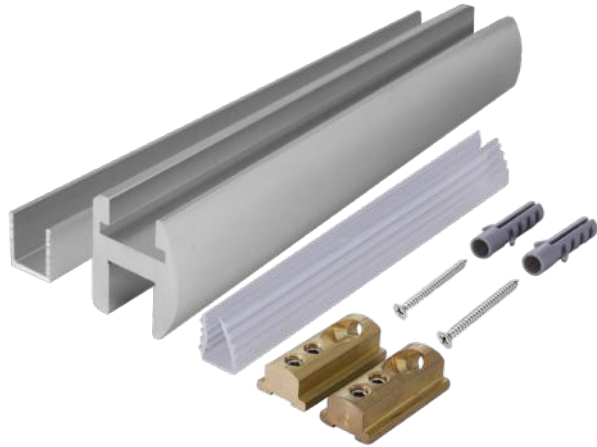
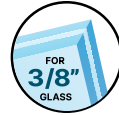


Shower Header Kit

For glass fabrication details, CAD files, and the latest product information, please visit our website.



INSTALLER'S FAVORITE
Drill & Spade Bits



Key Features

- **Glass Compatibility:** Suitable for 3/8", and 1/2" (10, and 12 mm) glass.
- **Material:** Constructed from 6063-T5 aluminum alloy for superior strength and durability.
- **Design:** Features a 1-1/4" (32 mm) face for an enhanced, more visible sight line.

Included Components

- 66" or 95" Piece of Aluminum Header Extrusion
- 36" (914mm) Piece of Aluminum Snap-In Filler for Door Pocket
- 2x Brass Wall Mounting Brackets
- 1x Clear Vinyl Gasket

Header Length	SKU NO.
66"	HK66
95"	HK95

Finishes

Check the website for available finishes, in-stock products. As we build our inventory, more finishes will be available.

- Chrome
- Satin Brass
- Gun Metal
- Polished Brass
- Brushed Nickel
- Polished Nickel
- Brushed Bronze
- White
- Matte Black
- Oil Rubbed Bronze
- Antique Brass
- Custom Finishes

HK66, HK95



Black Foam Tape

Dimension	SKU
1/2" W - 32.8FT L - 1/4" Thick	FT1412BL
3/4" W - 32.8FT L - 1/4" Thick	FT1434BL
1/2" W - 65.6FT L - 1/8" Thick	FT1812BL



3M Clear Adhesive Tape

Dimension	SKU
1/2" W - 108FT L - 0.040" Thick	AHB04012
1/4" W - 108FT L - 0.040" Thick	AHB04014
3/4" W - 108FT L - 0.050" Thick	AHB05034

Header Kit Accessories

Regular Duty



HA01
Shower Header Adapter Block

Heavy Duty



HDHA01
Shower Header Adapter Block

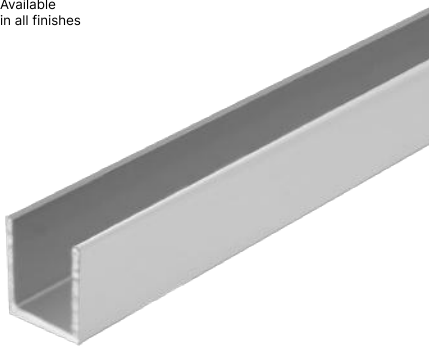
48" Piece / 500' Length Roll



HGAS500
Clear Vinyl Gasket

3FT (36 inches)

Available in all finishes



HF09
Shower Header Filler



HC90
Shower Header Corner - 90° Fixed



HC135
Shower Header Corner - 135° Fixed



HCADJ
Shower Header Corner - Adjustable



HWMB
Brass Wall Mounting Brackets



Shower Shelf Clamps

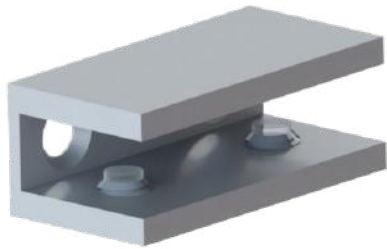
Key Features

- **Material:** Solid Brass for exceptional strength and resistance to corrosion
- **Glass Thickness Range:** 1/4" to 3/8" (6 to 10 mm) to accommodate a variety of glass shelf thicknesses
- **No Glass Fabrication Required:** Clamps tighten easily using nylon-tipped screws, streamlining installation without the need for custom glass fabrication

Finishes

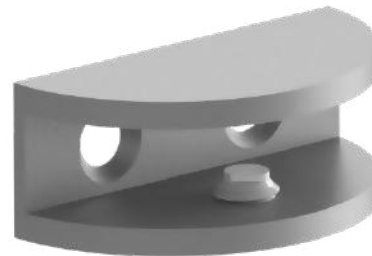
Check the website for available finishes, in-stock products. As we build our inventory, more finishes will be available.

- | | | | |
|--|---|--|---|
|  Chrome |  Satin Brass |  Gun Metal |  Polished Brass |
|  Brushed Nickel |  Polished Nickel |  Brushed Bronze |  White |
|  Matte Black |  Oil Rubbed Bronze |  Antique Brass |  Custom Finishes |



SCSQ

Shower Shelf Clamp - Square
Glass Thickness Range: 1/4" to 3/8" (6mm to 10mm)



SCRD

Shower Shelf Clamp - Round
Glass Thickness Range: 1/4" to 3/8" (6mm to 10mm)



01 FRAMELESS SHOWER DOOR

Shower Support Bar

Shower Support Bar - Round 40



Shower Support Bar - Round - Adjustable

Product Overview

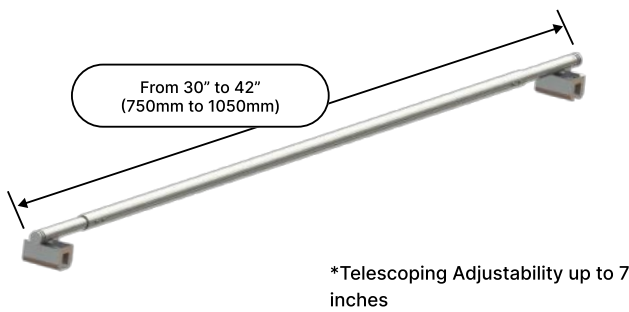
- **Adjustable Length:** 30"-42" bar for flexible fit across shower setups
- **Material & Finish:** 3/4" brass tubular bar with solid end caps for strength and polish
- **Installation Type:** For glass-to-glass setups, supporting frameless shower panels
- **Glass Compatibility:** Fits 3/8" (10 mm) tempered glass

Finishes

Check the website for available finishes, in-stock products. As we build our inventory, more finishes will be available.



Glass to Glass



SUPG2G

Shower Support Bar Glass to Glass - Adjustable

Wall to Glass



SUPG2W

Shower Support Bar Glass to Wall - Adjustable

Ceiling to Glass



SUPG2C

Shower Support Bar Ceiling to Glass - Adjustable



VMC5, VMC6

Mirror Clip Set - 5mm/6MM

01 FRAMELESS SHOWER DOOR

Sliding Door Kits

Tranquility Series	42
CAMI Series	43
HYDRO Series	44
LUNA Series	45



Tranquility Series

Stainless Steel

For glass fabrication details, CAD files, and the latest product information, please visit our website.



TQ78
Tranquility Series

Kit Includes

- 1 x Header Bar (78")
- 2 x Track Holders
- 2 x Door Stopper
- 1 x L-Seal Jamb
- 4 x Roller
- 1 x Thru-Glass Pull
- 2 x Track Fittings
- 1 x Floor Guide

Key Features

- **Materials:** Made from high-quality stainless steel for long-lasting durability.
- **Configuration:** One sliding door and one fixed panel, suitable for use with 5/16" to 3/8" (8-10mm) tempered safety glass (glass not included).
- **Smooth Door Operation:** Equipped with 4 anti-lift rollers for quiet, smooth sliding, ensuring easy opening and closing.

Specification

SKU NO.	Thickness	MAX. Door Width	MAX. Door Weight
TQ78	3/8" to 1/2"	Up to 30"(762mm)	Up to 88lbs (40kg)

Finishes

Check the website for available finishes, in-stock products. As we build our inventory, more finishes will be available.

- Chrome
- Satin Brass
- Gun Metal
- Polished Brass
- Brushed Nickel
- Polished Nickel
- Brushed Bronze
- White
- Matte Black
- Oil Rubbed Bronze
- Antique Brass
- Custom Finishes

For any components sold separately, please visit our website or contact us.

<p style="border: 1px solid black; border-radius: 10px; padding: 2px; display: inline-block;">Included in Kit</p>	<p style="border: 1px solid black; border-radius: 10px; padding: 2px; display: inline-block;">Included in Kit</p> *Good for Lever adjustment	<p style="border: 1px solid black; border-radius: 10px; padding: 2px; display: inline-block;">Included in Kit</p>	<p style="border: 1px solid black; border-radius: 10px; padding: 2px; display: inline-block;">Included in Kit</p>
<p>TQH78 TQH120 Header Bar (78" & 120" Length)</p>	<p>TQTH Track Holder</p>	<p>TQDS Door Stopper</p>	<p>LJAMB Multi-Purpose L-Jamb</p>
<p style="border: 1px solid black; border-radius: 10px; padding: 2px; display: inline-block;">Included in Kit</p>	<p style="border: 1px solid black; border-radius: 10px; padding: 2px; display: inline-block;">Included in Kit</p>	<p style="border: 1px solid black; border-radius: 10px; padding: 2px; display: inline-block;">Included in Kit</p>	<p style="border: 1px solid black; border-radius: 10px; padding: 2px; display: inline-block;">Included in Kit</p>
<p>TQRO Roller</p>	<p>GLASSPULL Thru Glass Pull</p>	<p>TQTF Track Fittings</p>	<p>TQFG Floor Guide</p>
<p style="background-color: black; color: white; border-radius: 10px; padding: 2px; display: inline-block;">Sold Separate</p>	<p style="background-color: black; color: white; border-radius: 10px; padding: 2px; display: inline-block;">Sold Separate</p>	<p style="background-color: black; color: white; border-radius: 10px; padding: 2px; display: inline-block;">Sold Separate</p>	<p style="background-color: black; color: white; border-radius: 10px; padding: 2px; display: inline-block;">Order Online Sample Kit</p>
<p>TQB092 90° Corner Bracket</p>	<p>TH98 Threshold (98" Length)</p>	<p>TQ90R 90° Glass Return</p>	<p>TRANQ78-SAMPLE Tranquility Kit Sample</p>

CAMI Series

Brass / Double Door Slide

For glass fabrication details, CAD files, and the latest product information, please visit our website.



*Premium Double bypass system

CAMI73

CAM Series

Kit Includes

- 1 x Stainless Steel Header(73")
- 8 x Stainless Rollers
- 2 x Door Stoppers
- 2 x Track Holder Fittings
- 1 x Bottom Guide
- 2 x Towel Bar(24" Single-Sided)
- 2 x Clear L-Jambs
- 1 x Bottom Sweeps
- 1 x Tool Kit

Key Features

- **Premium Material:** Crafted from brass for durability and corrosion resistance.
- **Glass Compatibility:** Designed for 5/16" to 3/8" (8 mm to 10 mm) tempered safety glass (glass not included).
- **Elegant Design:** Combines sleek style with functional precision for modern frameless showers.

Specification


SKU NO.	Thickness	MAX. Door Width	MAX. Door Weight
CAMI73	5/16" to 1/2"	Up to 84lbs (38 kg)	Up to 37" (940 mm)

Finishes

Check the website for available finishes, in-stock products. As we build our inventory, more finishes will be available.

- Chrome
- Satin Brass
- Gun Metal
- Polished Brass
- Brushed Nickel
- Polished Nickel
- Brushed Bronze
- White
- Matte Black
- Oil Rubbed Bronze
- Antique Brass
- Custom Finishes

For any components sold separately, please visit our website or contact us.

<p>Included in Kit</p>  <p>CAMIH73 Header Bar (73" Length)</p>	<p>Included in Kit</p>  <p>CAMIRO Rollers</p>	<p>Included in Kit</p>  <p>CAMIDS Door Stoppers</p>	<p>Included in Kit</p>  <p>CAMITH Track Holder</p>
<p>Included in Kit</p>  <p>CAMIFG Bottom Guide</p>	<p>Included in Kit</p>  <p>R24 24" Tubular Single Sided Towel Bar</p>	<p>Included in Kit</p> <p>*Pre applied Hi-bond tape</p>  <p>LJAMB Multi-Purpose L-Jamb</p>	<p>Included in Kit</p>  <p>CAMIBSWP Bottom Sweep</p>
<p>Included in Kit</p>  <p>CAMI-TOOL Tool Kit</p>	<p>Sold Separate</p>  <p>CAMI90R 90° Glass Return</p>	 <p>USE ONLY MONOLITHIC OR TEMP/LAMI GLASS</p>	
		 <p>INSTALLER'S FAVORITE! GGH Drill & Spade Bits</p>	

HYDRO Series



For glass fabrication details, CAD files, and the latest product information, please visit our website.



HYDRO84
HYDRO Series

Kit Includes

- 1 x Header Bar (84")
- 1 x Bottom Door Guide
- 1 x Drill Guide
- 2 x Fixed Plate Fittings
- 2 x Hangers Set
- 1 x L-Seal
- 2 x Wall Mount & Stopper

Key Features

- **Material:** Made from high-quality stainless steel for durability and resistance to corrosion.
- **Configuration:** 84" long sliding door kit designed for seamless installations.
- **Smooth and Quiet Operation:** Equipped with 2 rollers for quiet door movement, ensuring effortless opening and closing.

Specification

SKU NO.	Thickness	MAX. Door Width	MAX. Door Weight
HYDRO84	5/16" to 3/8"	Up to 88lbs (40kg)	Up to 30" (762mm)

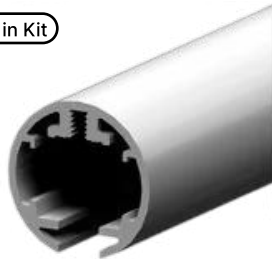
Finishes

Check the website for available finishes, in-stock products. As we build our inventory, more finishes will be available.

- Chrome
- Satin Brass
- Gun Metal
- Polished Brass
- Brushed Nickel
- Polished Nickel
- Brushed Bronze
- White
- Matte Black
- Oil Rubbed Bronze
- Antique Brass
- Custom Finishes

For any components sold separately, please visit our website or contact us.

Included in Kit



HYDROH84 *
Header Bar - 84" Length

Included in Kit



HYDRODG *
Drill Guide

Included in Kit



HYDROFPF *
Fixed Plate Fitting

Included in Kit



HYDROHANGER *
Hanger

Included in Kit



HYDROFG *
Bottom Door Guide

Included in Kit

*Pre applied Hi-bond tape



LJAMB
Multi-Purpose L-Jamb

Included in Kit



HYDRODS *
Wall Mount & Stopper

Sold Separate



TH98
Threshold - 98" Length

Sold Separate

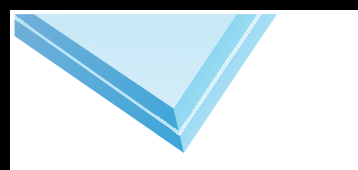


HYDRO05
90° Wall-to-Glass Bracket

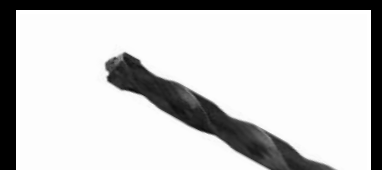
Sold Separate



HYDRO90
90° Glass-to-Sliding Track



**USE ONLY
MONOLITHIC OR
TEMP/LAMI GLASS**



**INSTALLER'S
FAVORITE!**
GGH Drill & Spade Bits

LUNA Series

For glass fabrication details, CAD files, and the latest product information, please visit our website.



LUNA78
LUNA Series

Kit Includes

- 1x Header Bar
- 4x Stainless Rollers
- 1x Door Stopper
- 2x Wall Mount Fittings
- 2x Track Holder Fitting
- 1x Bottom Floor Guide
- 1x Clear L-Seal Jamb
- 1x Bottom Sweep

Key Features

- **Materials and Dimensions:** Made from high-quality stainless steel for durability and resistance to corrosion.
- **Configuration:** 78" long sliding door kit designed for seamless installations.
- **Smooth and Quiet Operation:** Equipped with 4 rollers for quiet door movement, ensuring effortless opening and closing.

Specification

SKU NO.	Thickness	MAX. Door Width	Material
LUNA78	3/8" to 1/2"	Do not exceed 100lbs (45 kg) in weight	Stainless Steel

Finishes

Check the website for available finishes, in-stock products. As we build our inventory, more finishes will be available.

- Chrome
- Satin Brass
- Gun Metal
- Polished Brass
- Brushed Nickel
- Polished Nickel
- Brushed Bronze
- White
- Matte Black
- Oil Rubbed Bronze
- Antique Brass
- Custom Finishes

For any components sold separately, please visit our website or contact us.

Included in Kit



LUNAH78
Header Bar - 78" Length

Included in Kit



LUNARO
Roller

Included in Kit



LUNADS
Door Stopper

Included in Kit



LUNAWM
Wall Mount

Included in Kit



LUNATF
Track Holder Fitting

Included in Kit



LAGFG
Floor Guide

Included in Kit



LJAMB
Multi-Purpose L-Jamb

Sold Separate

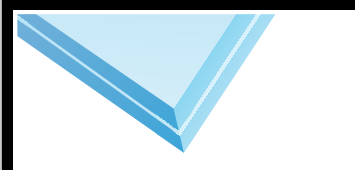


CAMIBSWP
Bottom Sweep

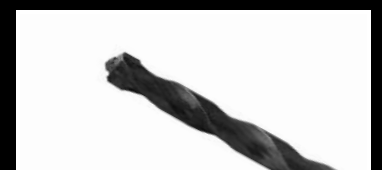
Sold Separate



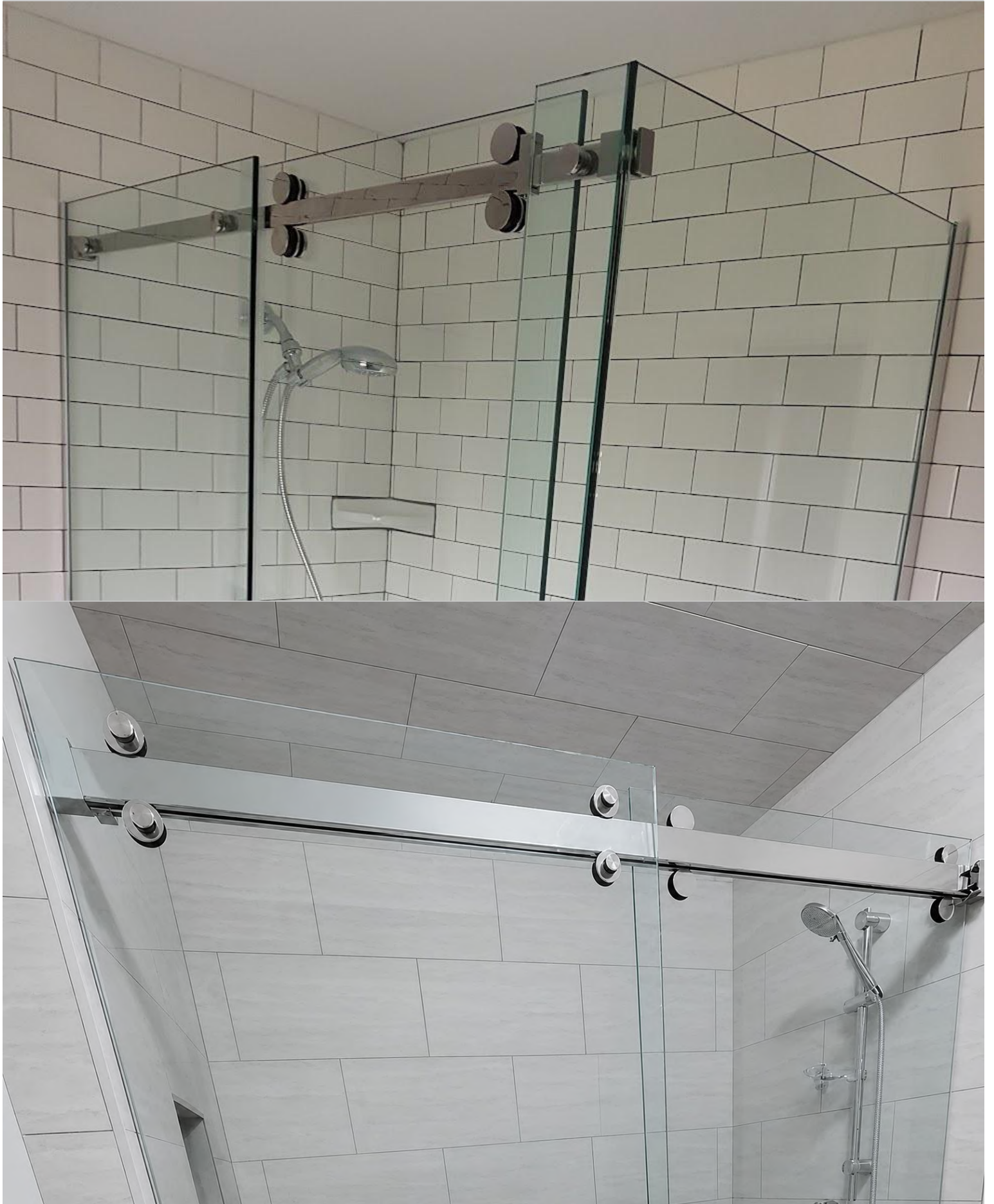
LUNA90R
90° Glass Return Kit

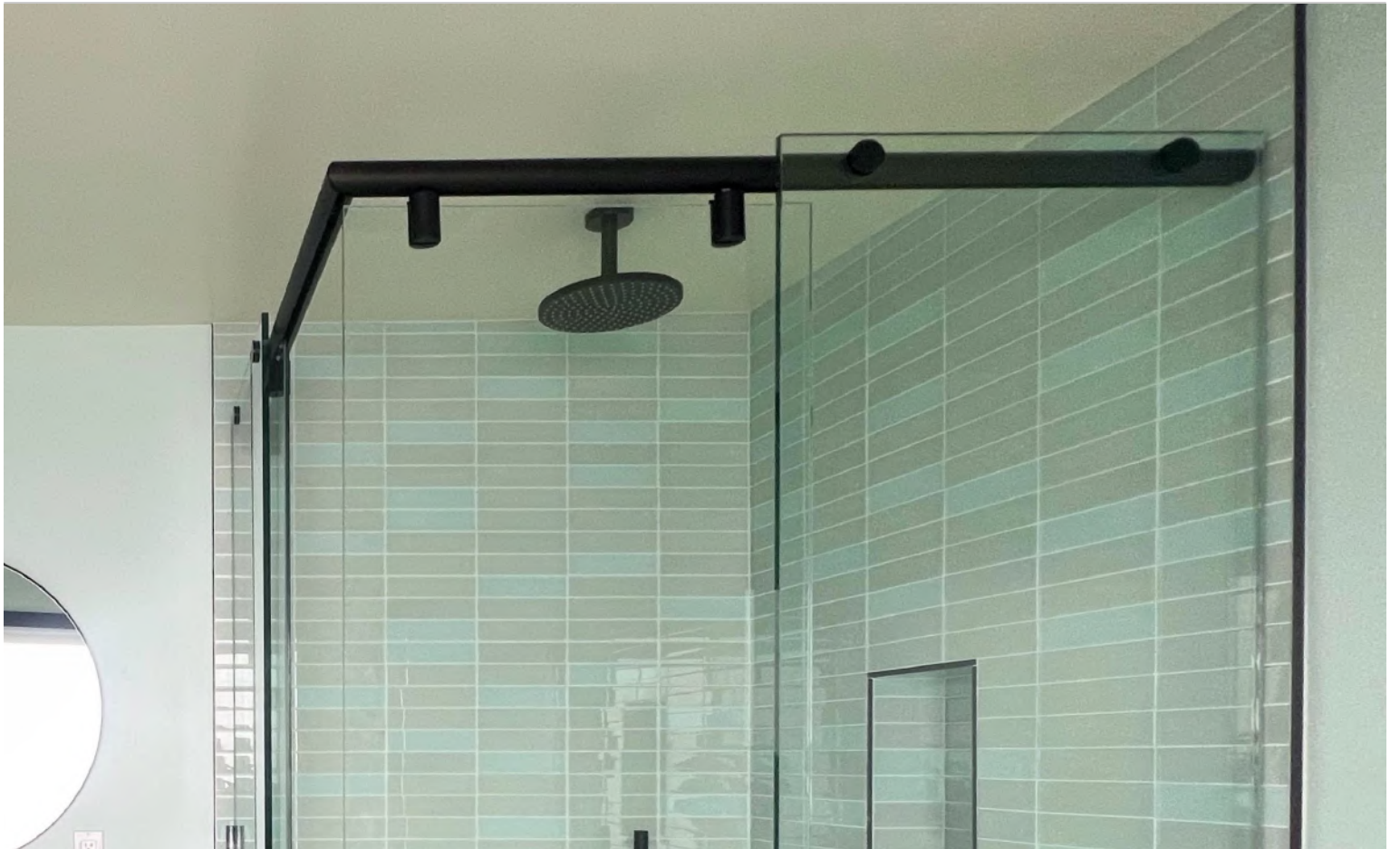


**USE ONLY
MONOLITHIC OR
TEMP/LAMI GLASS**



**INSTALLER'S
FAVORITE!**
GGH Drill & Spade Bits







01 FRAMELESS SHOWER DOOR

GGH Color Sample Kit

GGH Color Samples Kit

50

Get Yours Today!



GGH Color Samples Kit

Explore upcoming color finishes on our website.

For glass fabrication details, CAD files, and the latest product information, please visit our website. Stock and finish availability may vary by product.

Frameless Shower Hardware



Railing Hardware



Commercial Finishes



Need Help ?

Call our office today and speak to one of our friendly specialist.

Don't have an account?

Sign up now at www.ggh-usa.com and get approved by one of our representatives same day!

