


The image shows two large, white, three-bladed offshore wind turbines standing in a deep blue sea. The sky is a clear, vibrant blue. The turbine in the foreground is larger and more detailed, showing its yellow base and a small yellow crane-like structure near the top of the tower. The second turbine is smaller and positioned further away to the left. The overall scene is clean and modern, representing renewable energy.

**RG** ROM GUMMI



**RG ROM GUMMI**  
- a part of RG Group

 [WWW.EN.ROMGUMMI.DK](http://WWW.EN.ROMGUMMI.DK)

 +45 9782 2033

 [INFO@ROMGUMMI.DK](mailto:INFO@ROMGUMMI.DK)



# Durable Rubber, Foam and Plastic Solutions for **Offshore & Wind**

We are a full-service manufacturer with own in-house production facilities which means that we are one of the most competitive supplier of rubber, foam and plastic solutions for the wind and offshore industry that are built to the extreme weather conditions and demanding requirements. Our many years of experience give us a solid knowledge to materials, craftsmanship and production methods which also ensure you an efficient process from development to production in every project.



**Customized for every single project**

All of our rubber, foam and plastic solutions are 100% customized to the specific requirements and specifications.



**Fast production and delivering**

With our in-house production facilities we can manufacture and deliver your solutions fast and



**The most durable rubber solutions in the market**

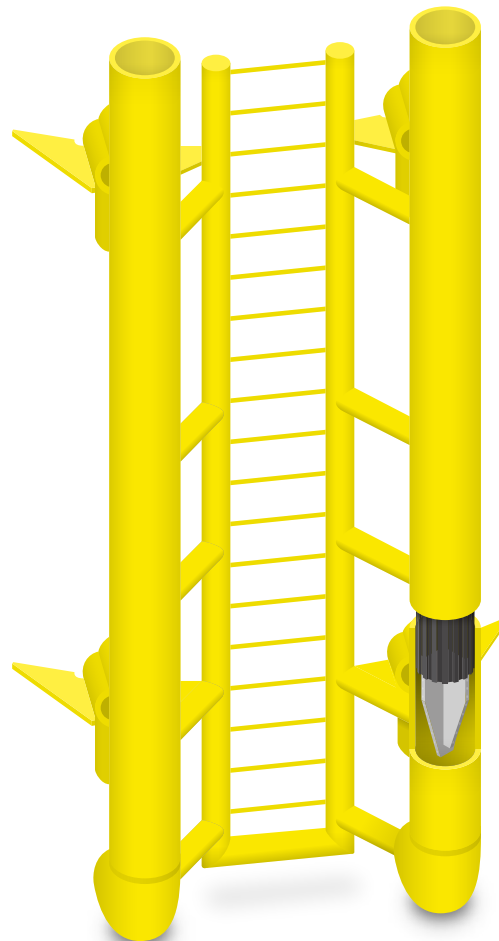
We are specialized in hot-vulcanization which means that we can manufacture the most durable rubber solutions in the market.





# Leading in rubber solutions for **Boatlandings**

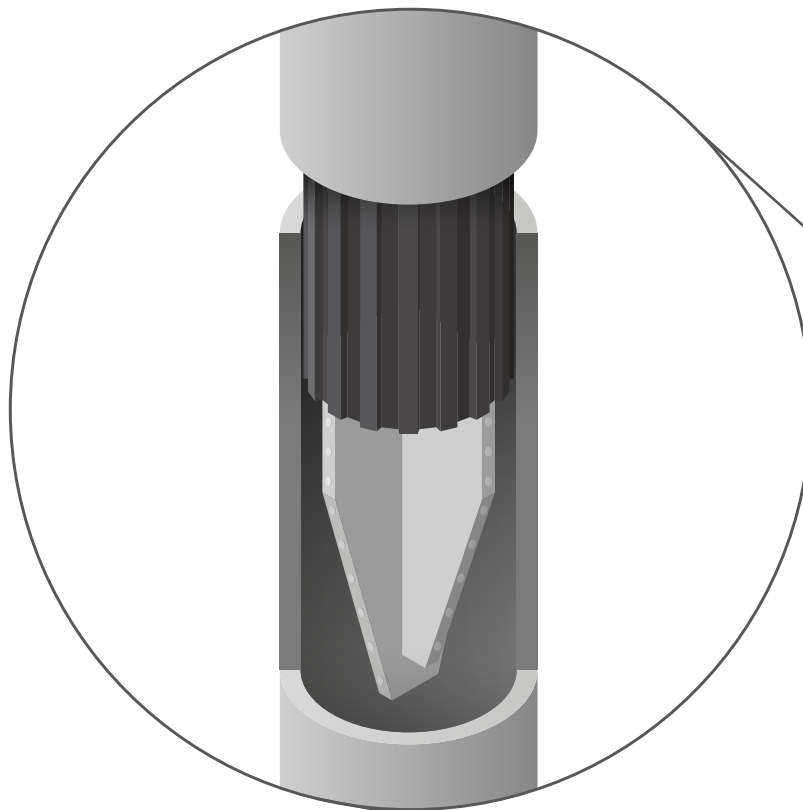
RG Rom Gummi are leading in developing and manufacturing ultra durable and customized rubber solutions for all types of boatlandings. With our competences in hot-vulcanized rubber we are able to manufacture the strongest rubber solutions in the market. Our solutions are built to last the extreme weather conditions and demanding CTV-operations.



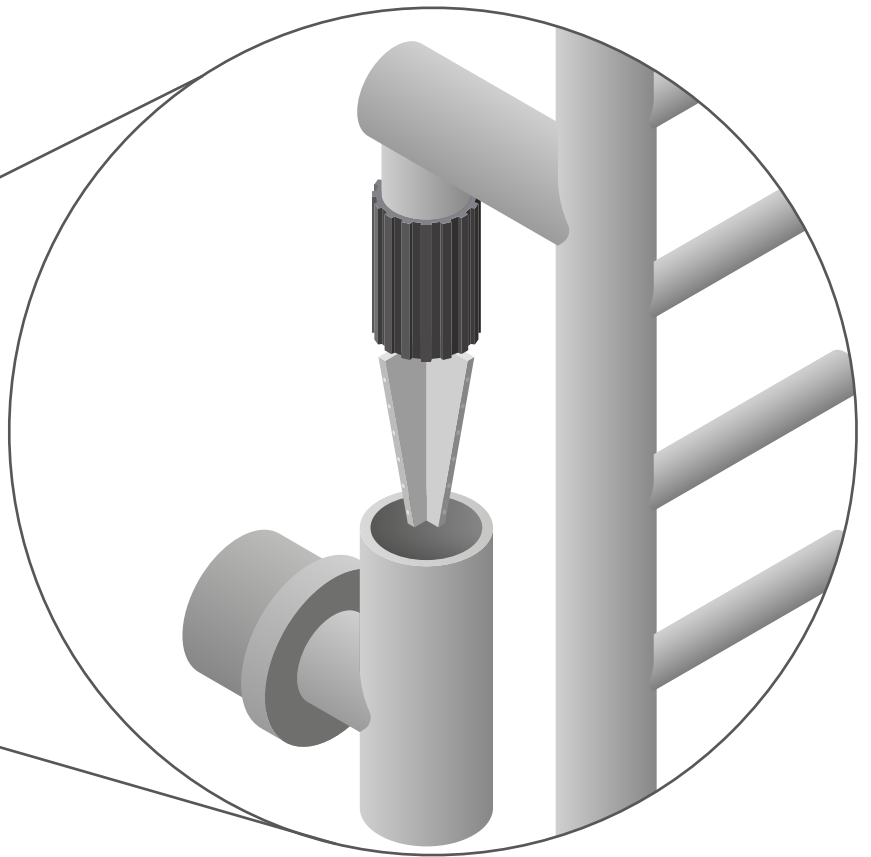
# Boatlandings

## Unique and specialized know-how

We have designed and manufactured rubber solutions for boatlandings since 2008. With our many years of know-how and great in-house production facilities we are able to customize our rubber solution 100% to every boatlandings regardless the specifications and requirements.





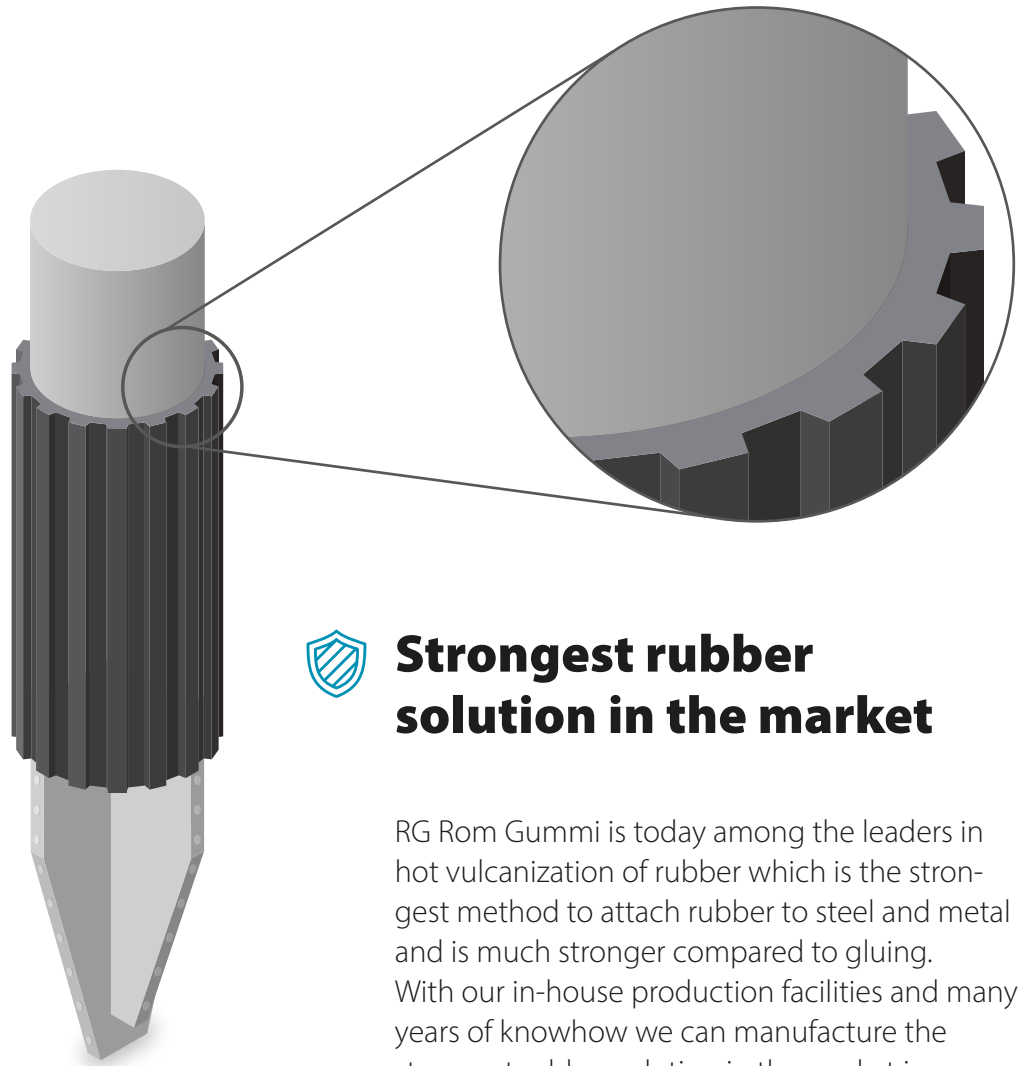


## Excellent adjustment for every construction

We know there are different designs for boatlandings. Therefore we are specialized in customizing our hot-vulcanized rubber to every type of steel construction.

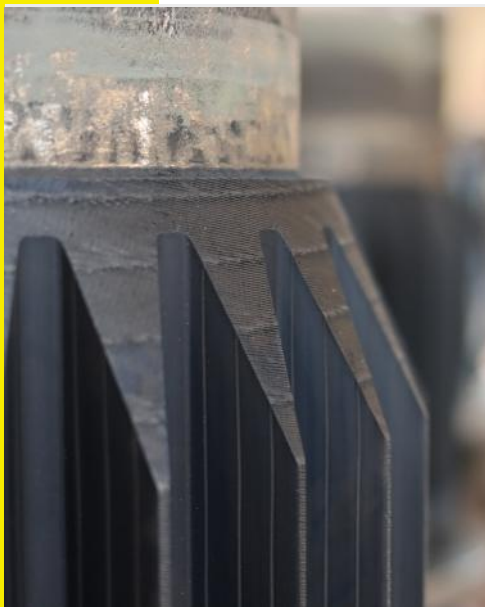
Our ability in adjustment ensure the best protection for the weldings of the steel construction that may be exposed.

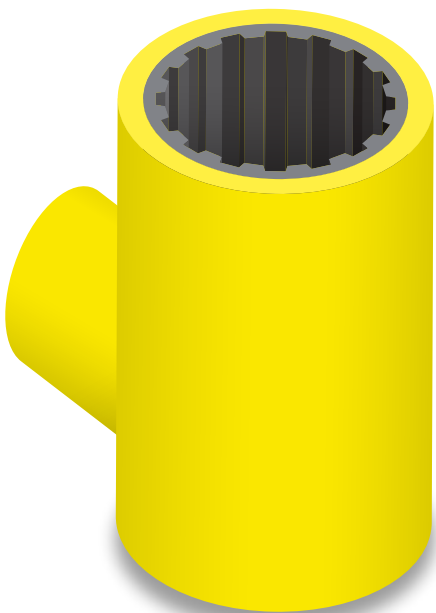
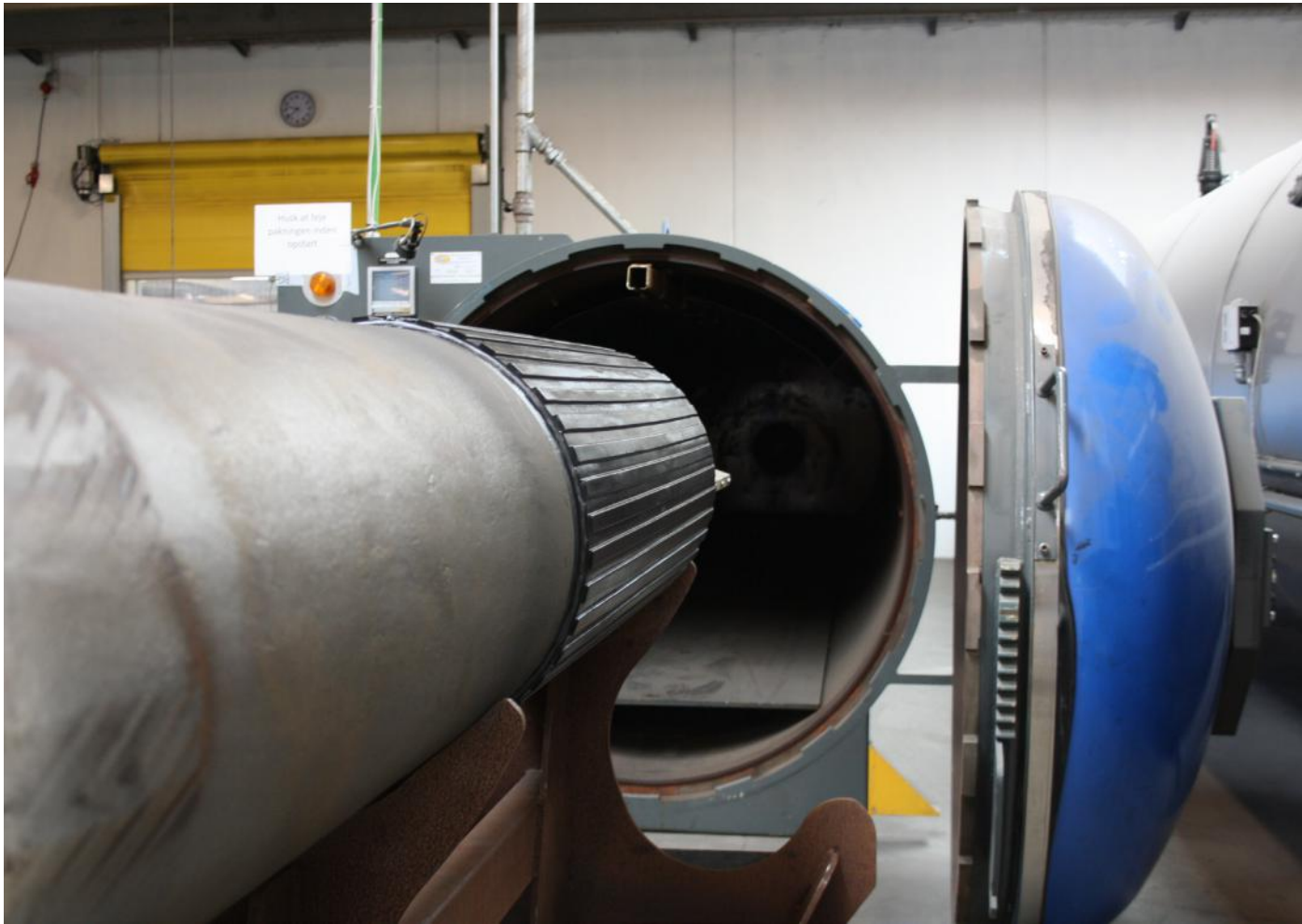
# Boatlandings



## **Strongest rubber solution in the market**

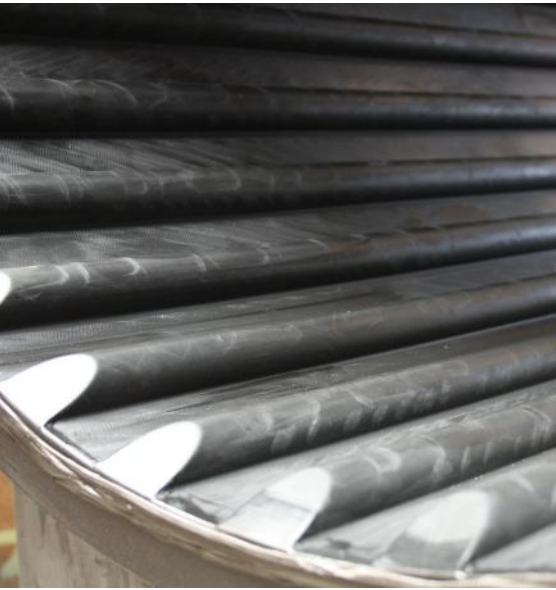
RG Rom Gummi is today among the leaders in hot vulcanization of rubber which is the strongest method to attach rubber to steel and metal and is much stronger compared to gluing. With our in-house production facilities and many years of knowhow we can manufacture the strongest rubber solution in the market in a dimension that only few others in the world can match.





## Different options

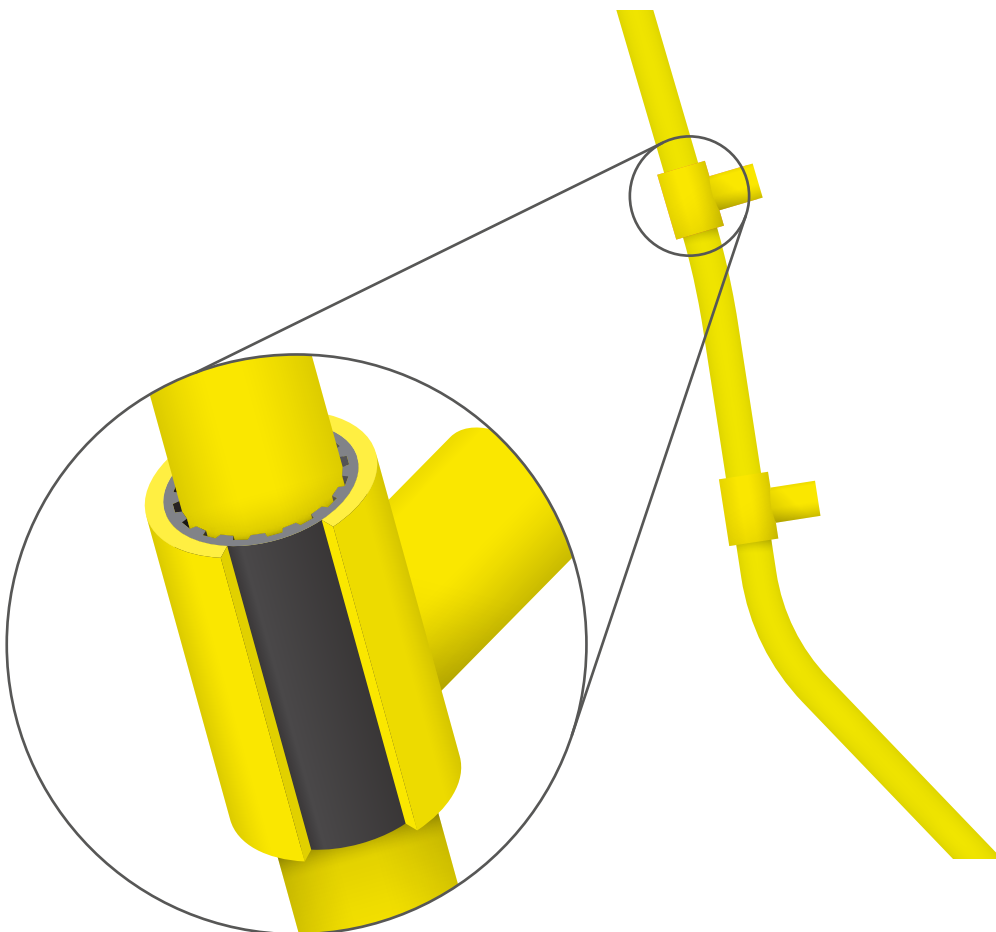
With our many years of knowhow in hot-vulcanizing rubber we are able to deliver a durable solution whether the rubber has to be applied on the outside or inside at the steel component. We can always adjust the thickness and pattern for the rubber with an impressive precision.





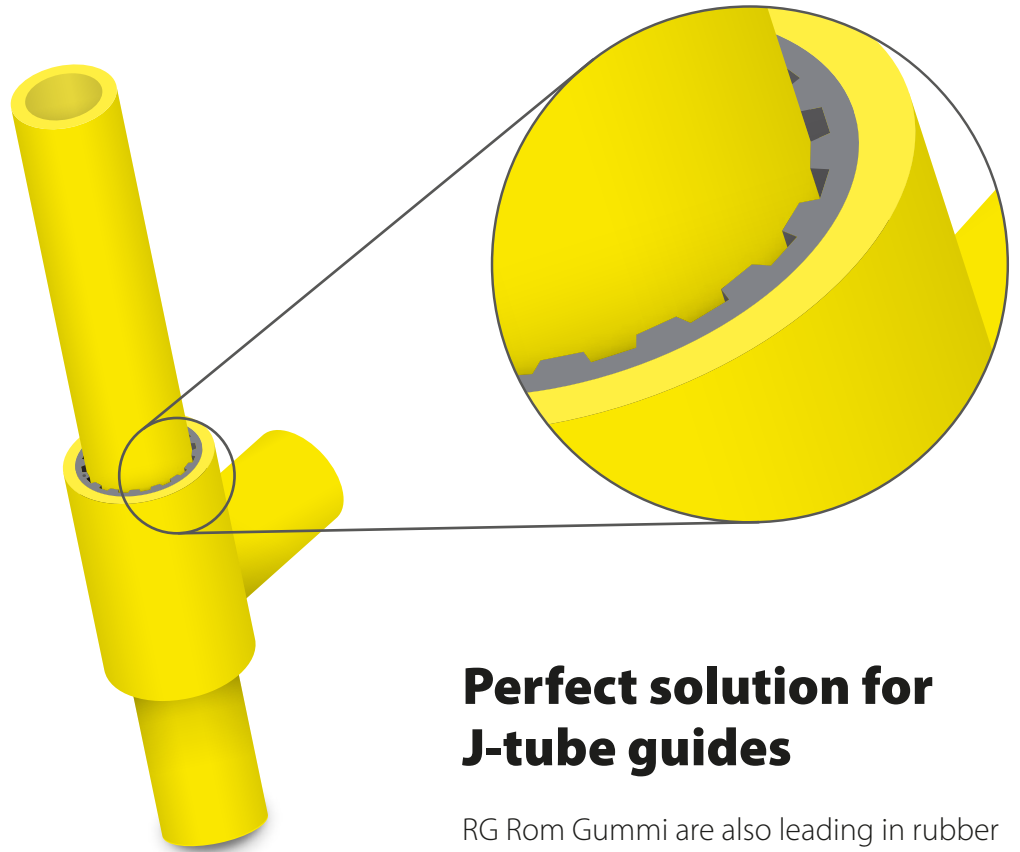
# Rubber Solutions for **J-Tube Guides**

Due to our competences in hot-vulcanization we are leading in manufacturing customized and ultra durable rubber solutions for all types of J-tube guides.





# J-tube Guides



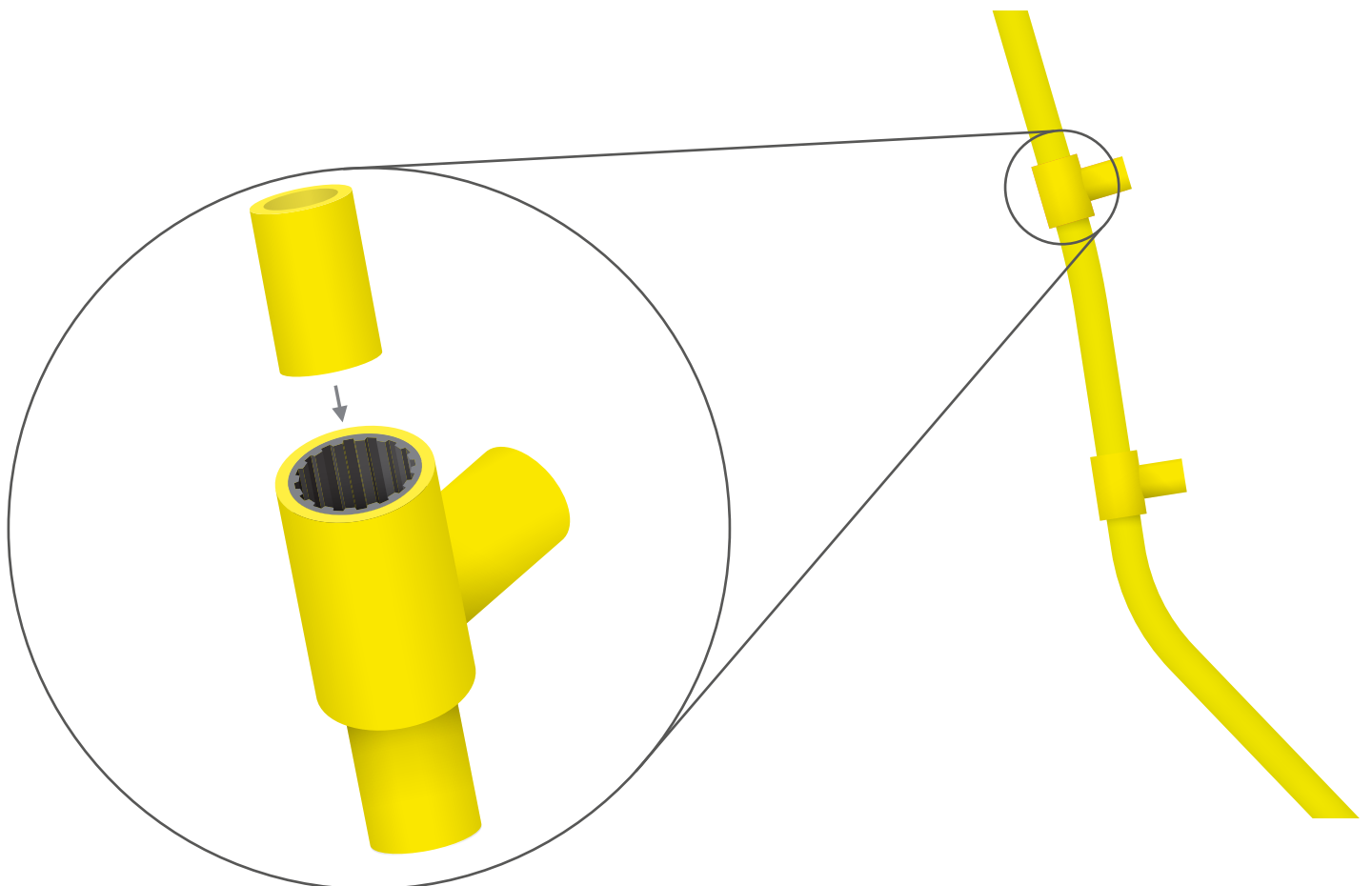
## Perfect solution for J-tube guides

RG Rom Gummi are also leading in rubber solutions for J-tube guides where the rubber has to be applied on the inner sides of the steel pipe.

We can adjust the thickness and pattern for the rubber with an impressive precision to ensure a durable securing and protection of the J-tube.



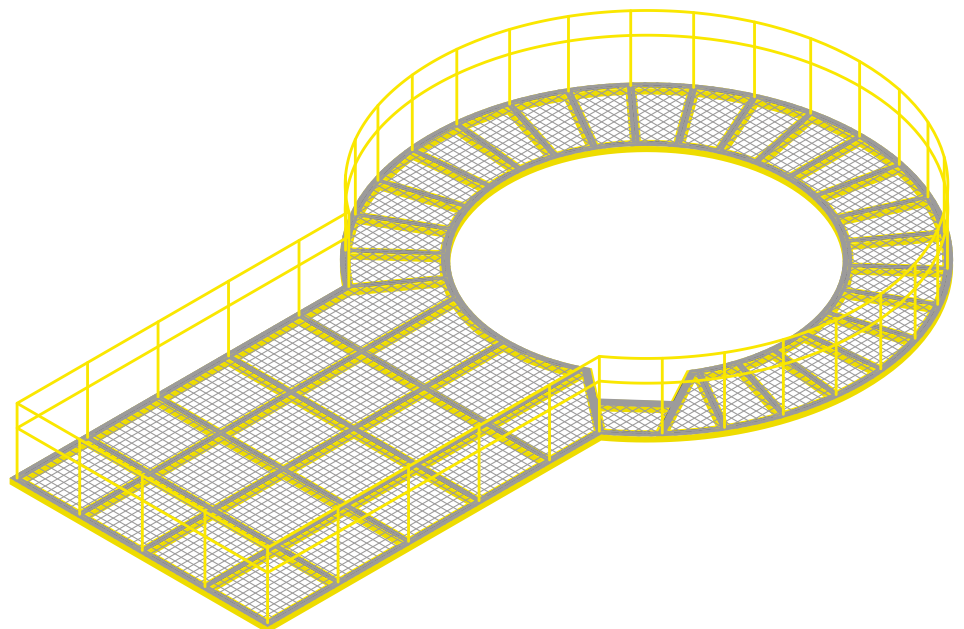






# Durable Rubber and Plastic Solutions for **Working Platforms**

RG Rom Gummi developing and manufacturing rubber and plastic solutions for working platforms made of steel. Here can be mentioned midlayer/protection layer under gratings, protection for flanges or gate latches.

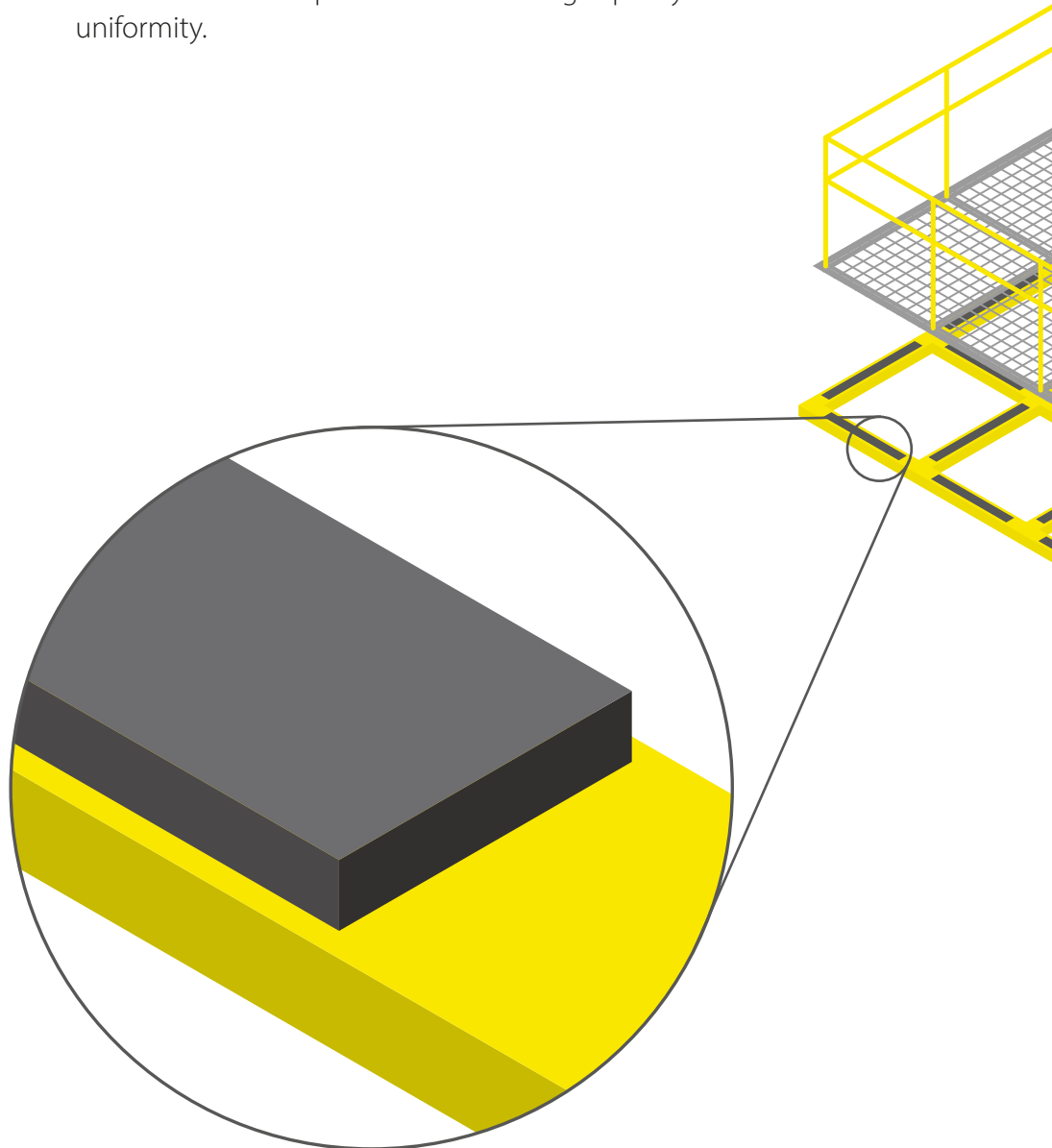


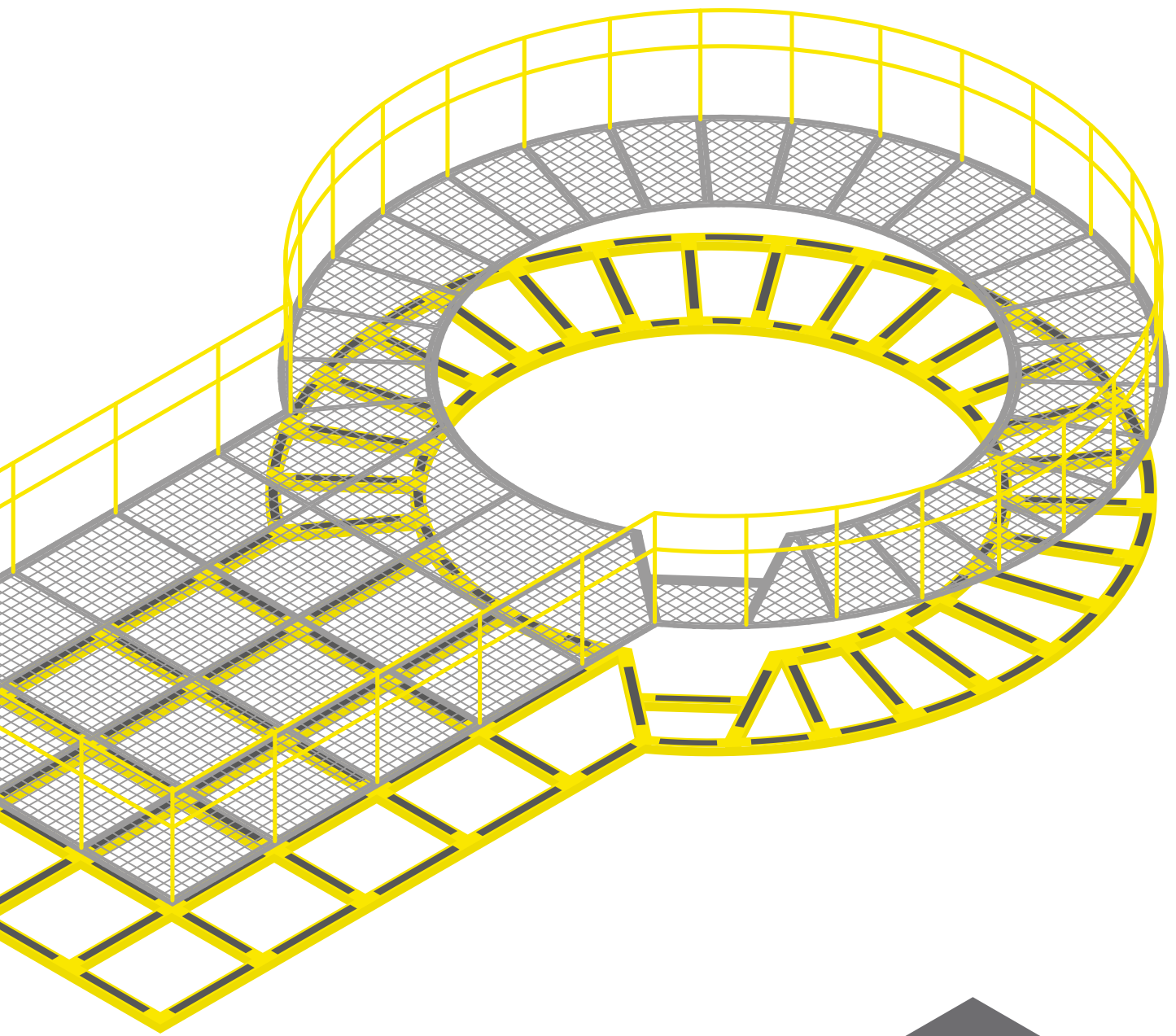
# Mid-Layer

## Mid-layer/protection-layer in rubber or plastic

We are manufacturing durable solutions in rubber or plastic as mid-layer/protection-layer for working platforms that equalize the pressure from the gratings and protect the steel from wear.

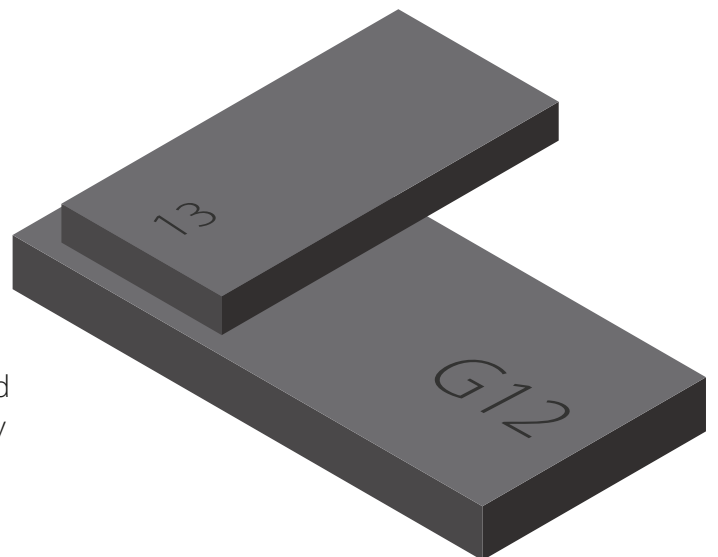
With our modern in-house production facilities, we can produce even the most complex contours in a high quality and uniformity.





## Easy assembly with letters and numbers

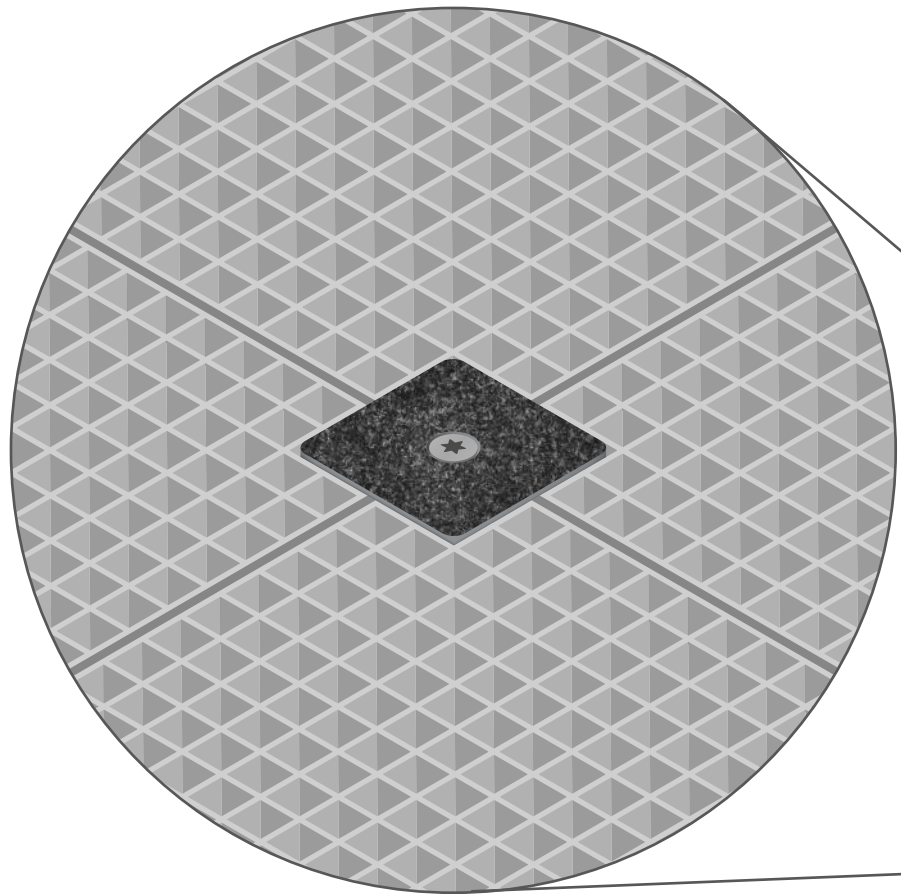
We can engrave our plastic items with letters and numbers to ensure an easy and correct assembly on the working platform.

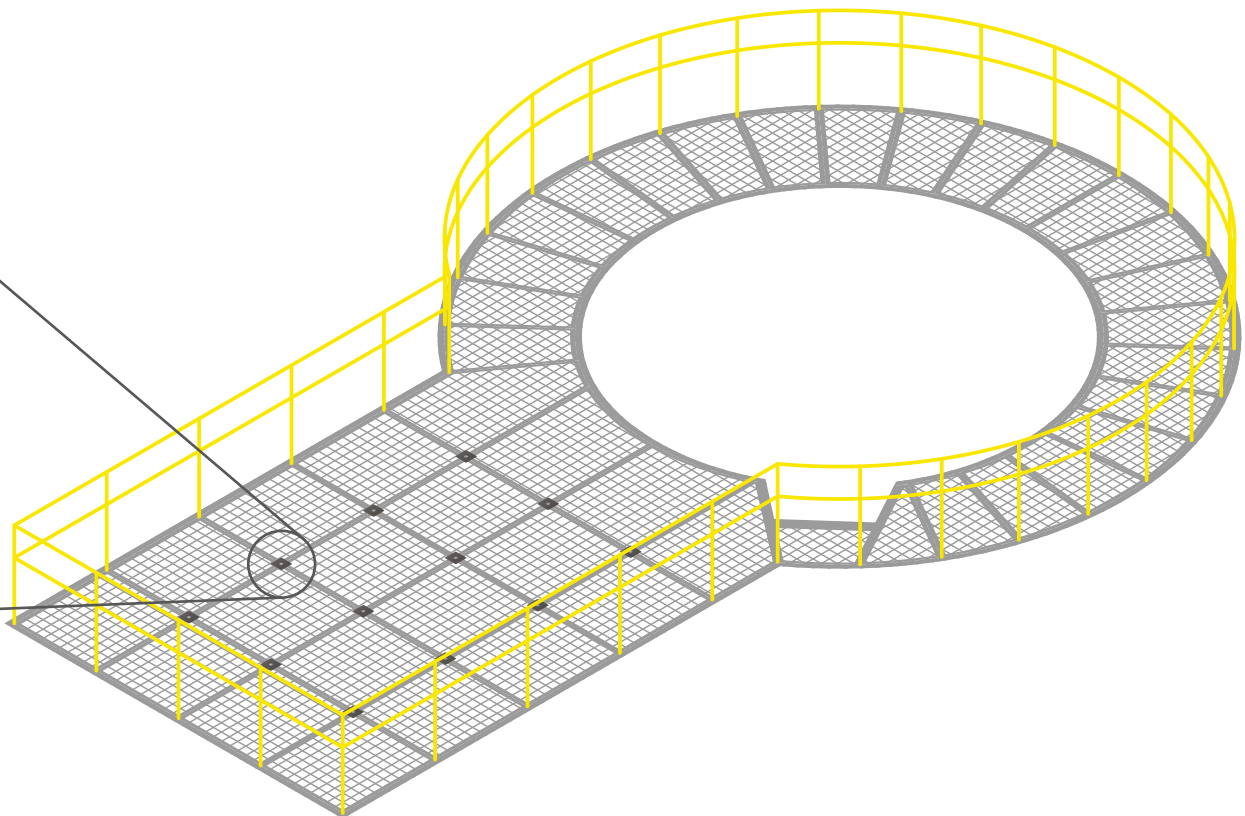
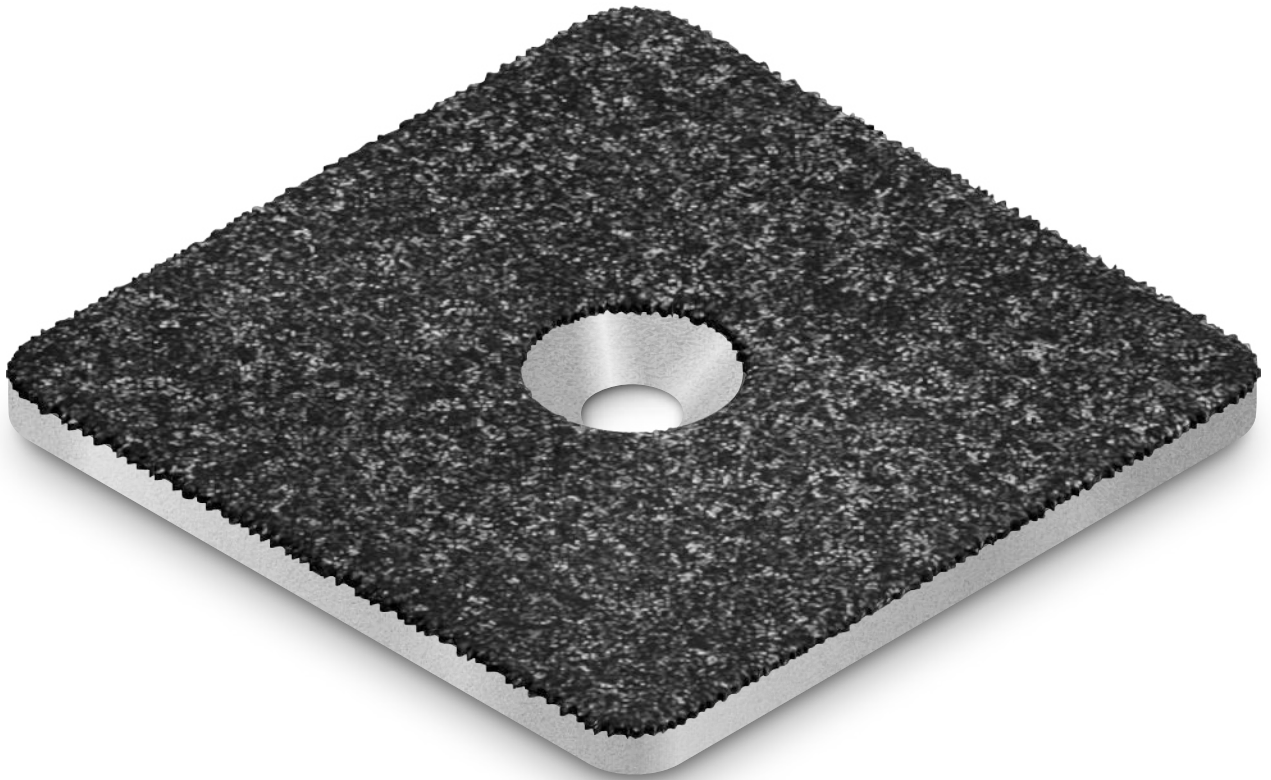


# Non-Slip Plates

## Ultra durable and non-slip plates for gratings

We have developed a fantastastic combination of liquid polyurea and sand that creates a perfect non-slip surface for steel plates between gratings on working platforms.





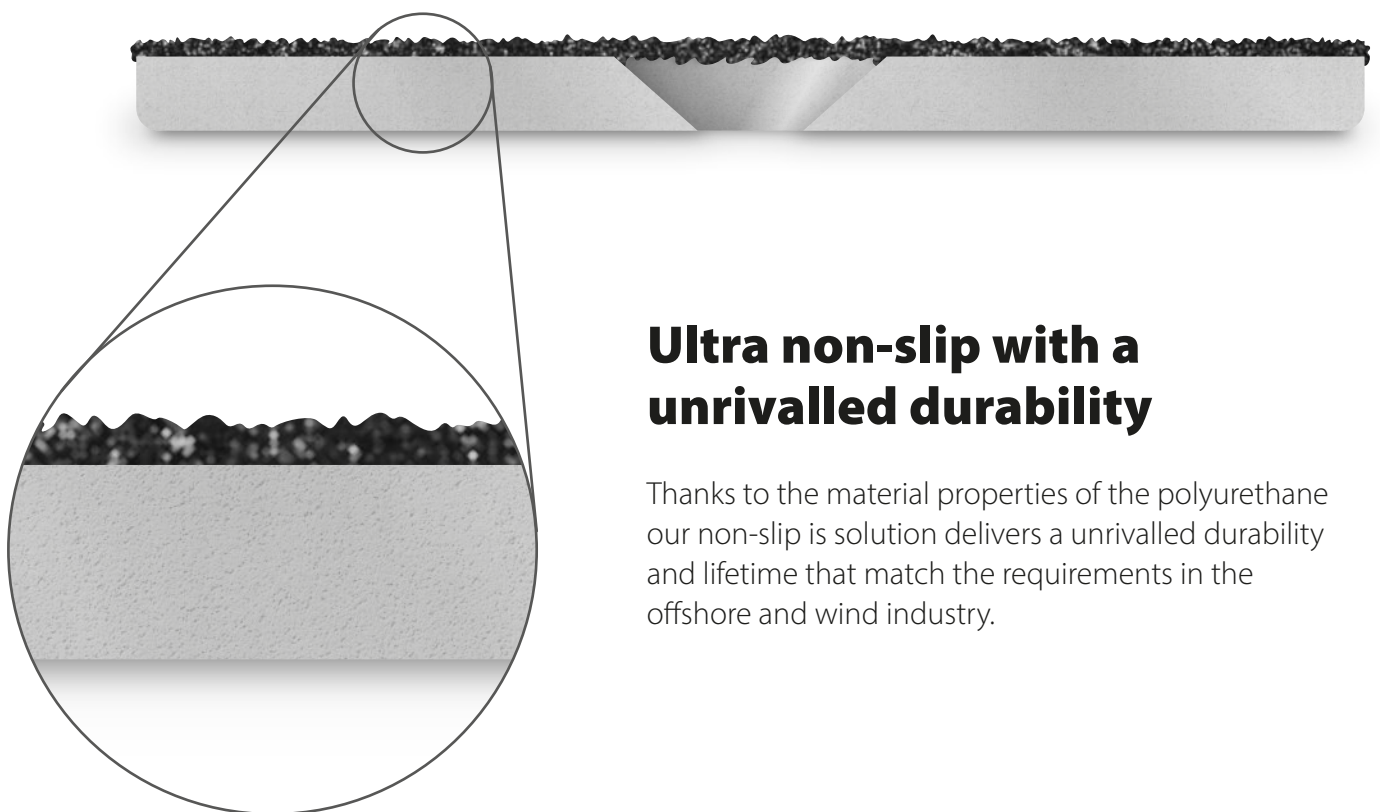


## **Customize your plates with different colours**

The liquid polyurea we use can be customized in different colours without affecting the non-slip surface and structure.

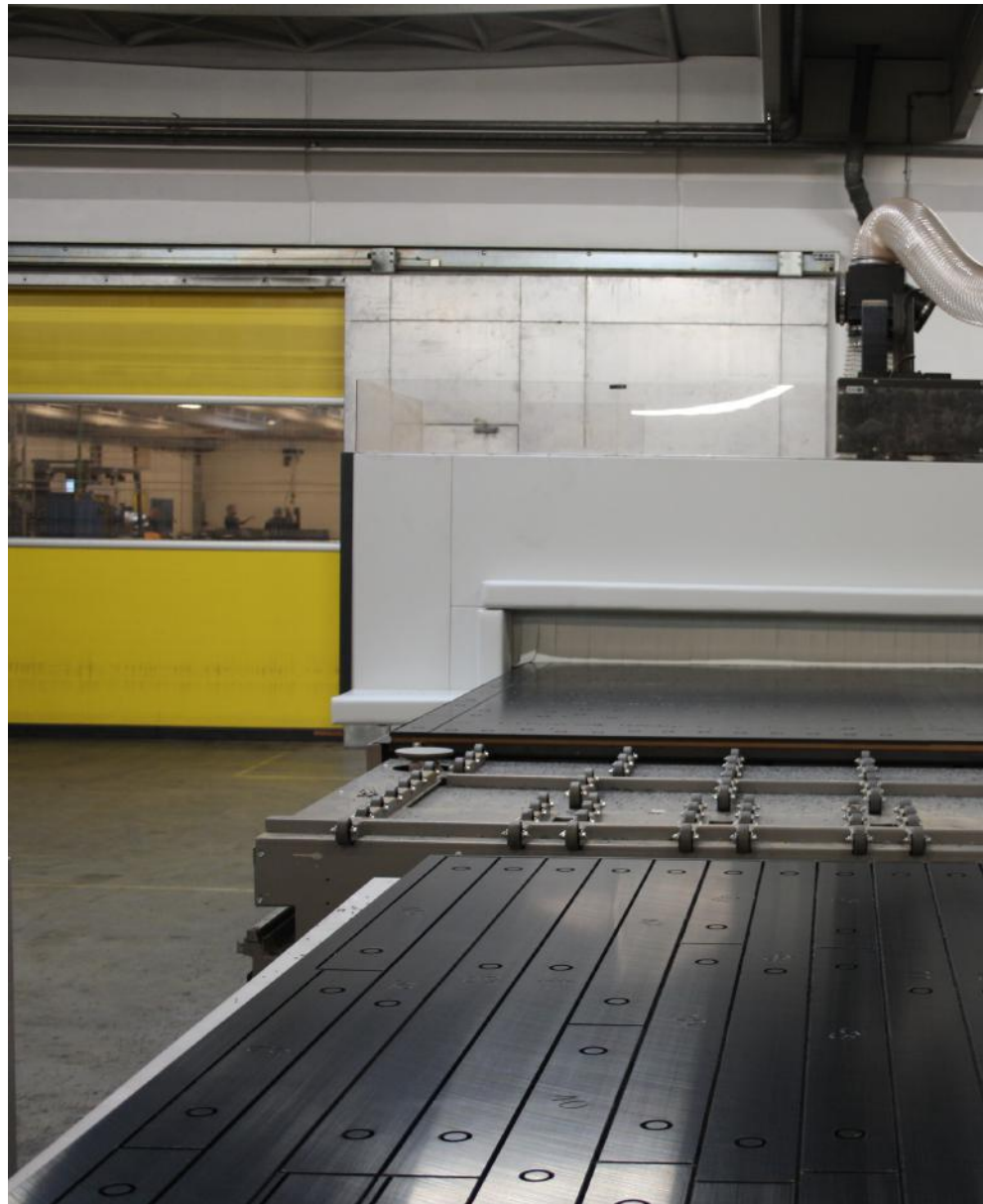
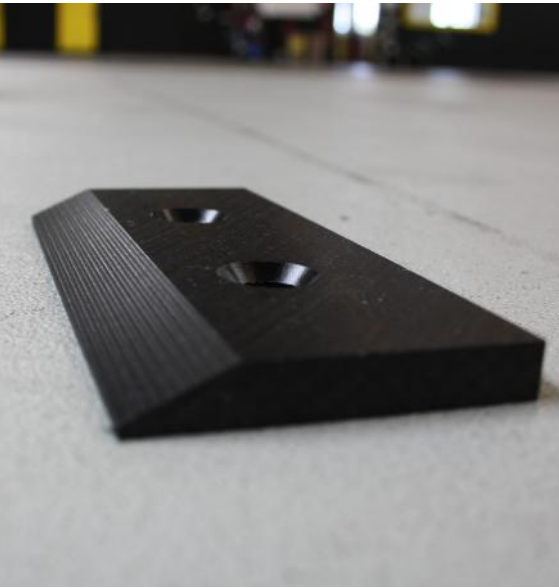




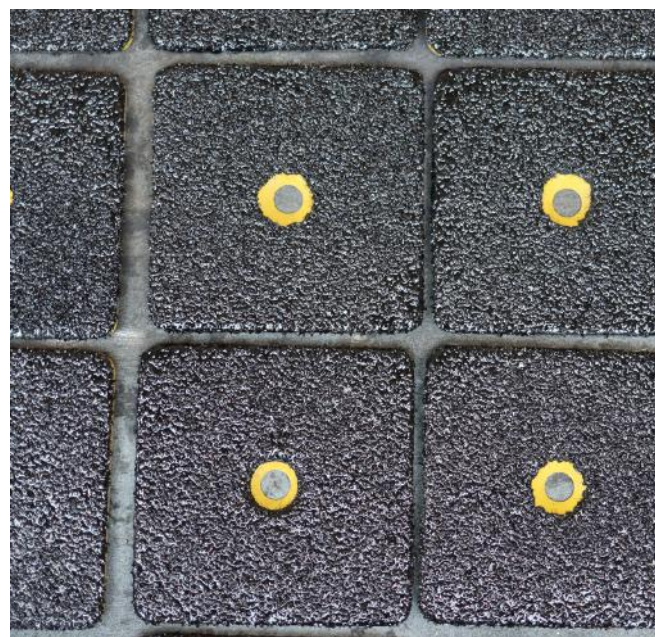


## **Ultra non-slip with a unrivalled durability**

Thanks to the material properties of the polyurethane our non-slip is solution delivers a unrivalled durability and lifetime that match the requirements in the offshore and wind industry.



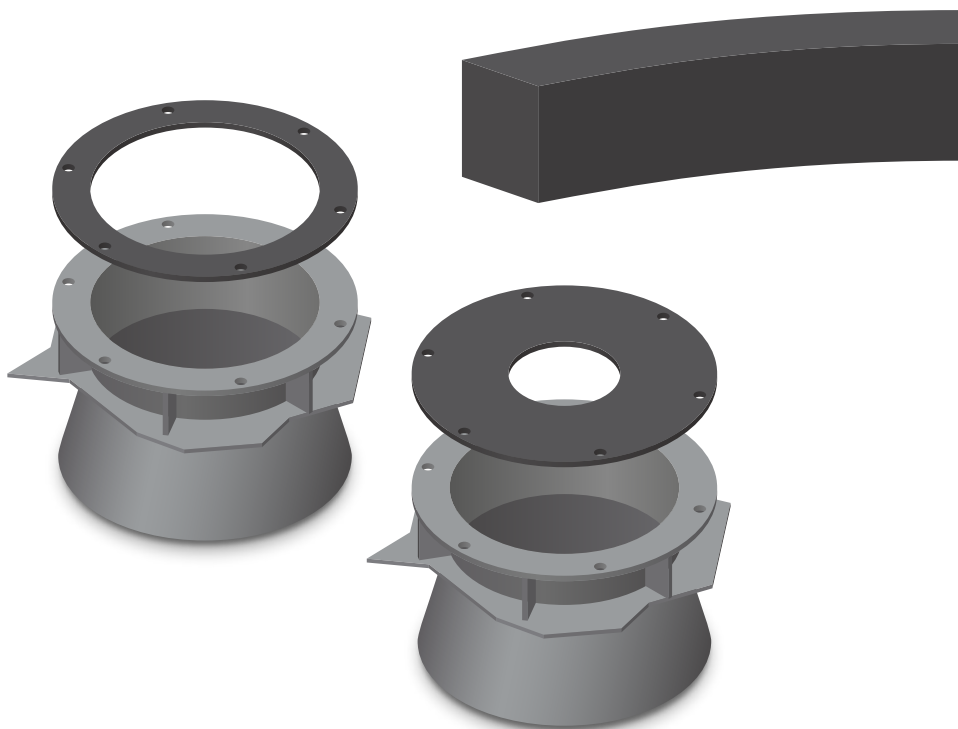
Protection of gate latch with rubber





# Rubber solutions for **Gaskets** and **Grout Seals**

RG Rom Gummi developing and manufacturing all types of gaskets and grout seals for different types of foundations. Here can be mentioned manhole gaskets, cablehole gaskets and large gaskets for grout sealing.

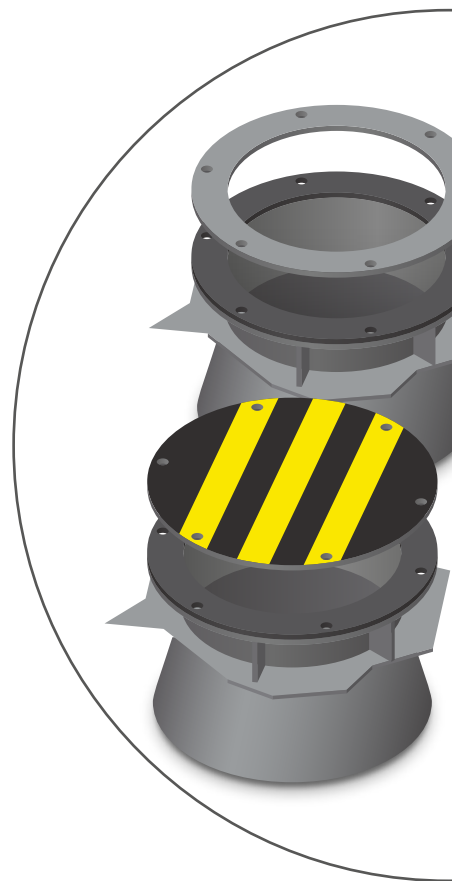


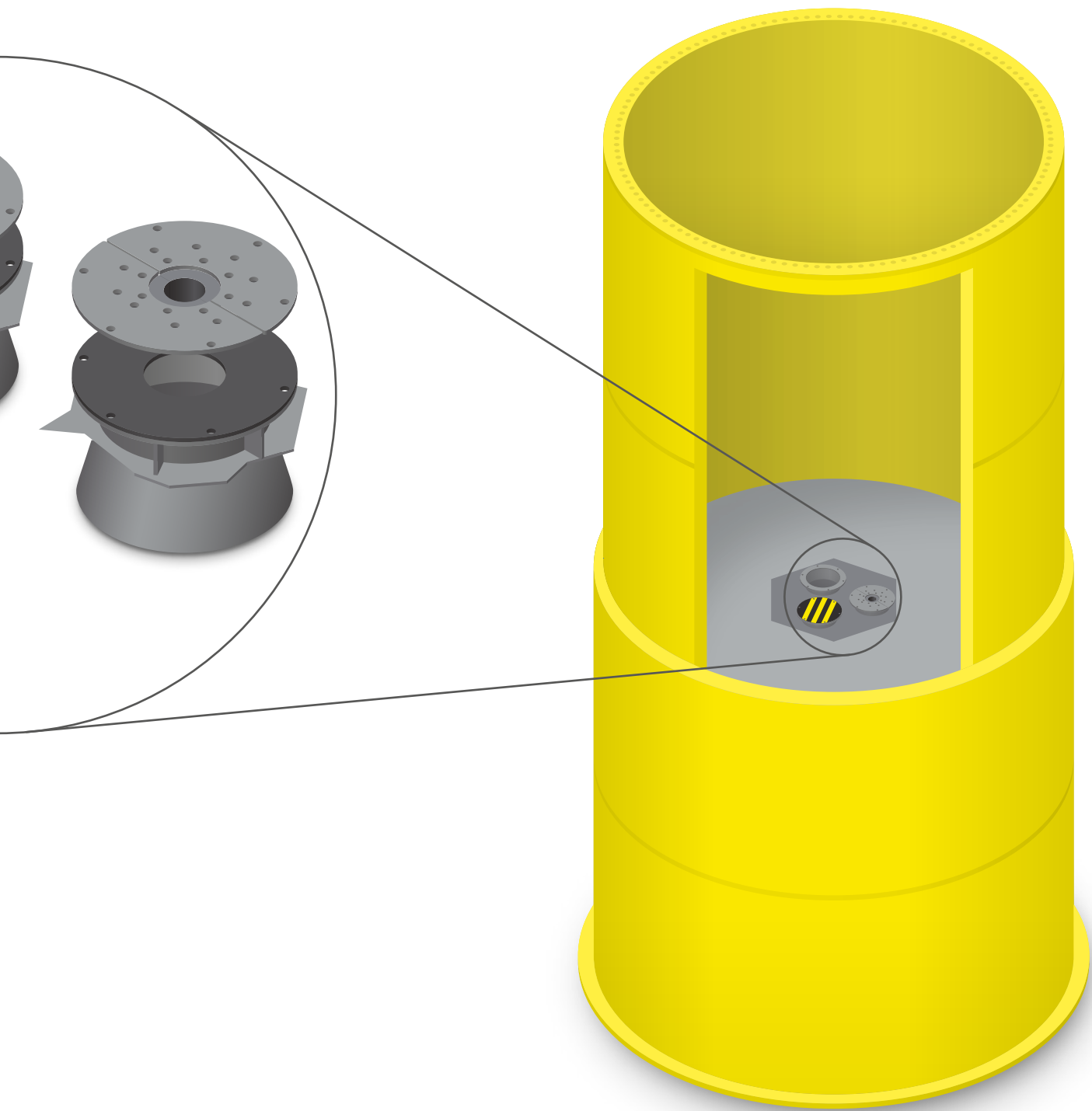


# Gaskets

## Manhole and cable gaskets

RG Rom Gummi are experts in manufacturing high-quality customised manhole and cable-hole gaskets in durable rubber. We accurately cut the gaskets according to your specifications at one of our advanced digital cutting and milling machines (CNC).

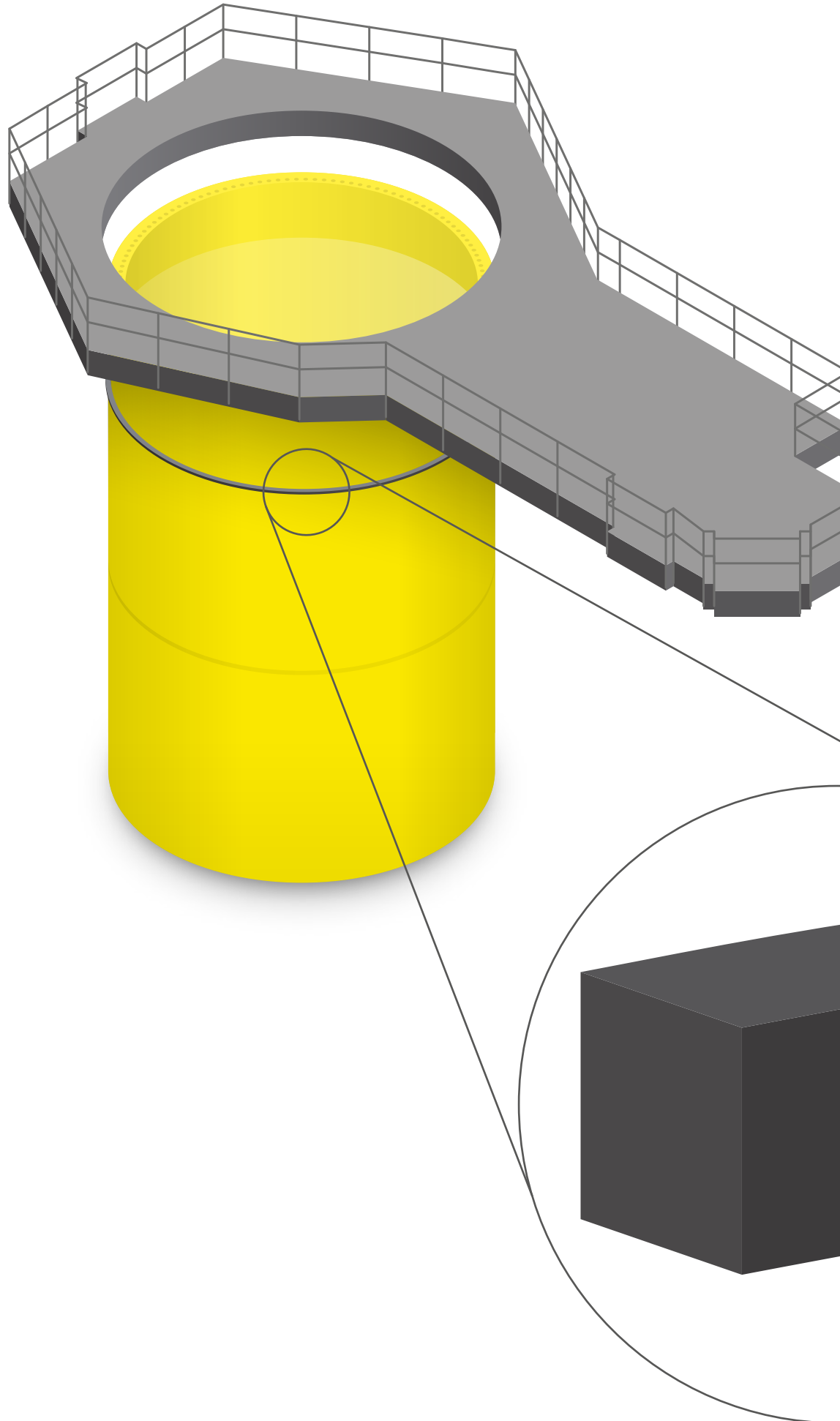




## Different grades and dimensions

Our rubber gaskets can be manufactured out of any desired rubber grade and with our in-house production facilities the gaskets can be manufactured in every shapes and dimensions.

# Grout Seals







## **Large gaskets and grout seals**

We develop and produce large and customized rubber gaskets for external platforms made of concrete. They ensure a tight adhesion and grouting between the platform and the foundation.

We can always adapt our solution to your requirements and specifications. Fx. we are able to produce the gaskets with or without slope edges.



We have delivered to

**+57**

offshore windfarms  
around the globe



# + 3,000

is the number of foundations we have delivered to

RG Rom Gummi are proud to be one of the leading supplier and manufacturer of rubber and plastic solutions to the wind and offshore industry.

We have produced and delivered solutions to +3,000 foundations distributed on 50 offshore wind farms around the globe.

## Some of our references



## Europe

### Anholt

Completed Installation: 2013  
Foundations: 111

### Arcadis Ost

Completed Installation: 2021  
Foundations: 1

### Arkona

Completed Installation: 2018  
Foundations: 60

### Baltic Eagle

Completed Installation: 2021  
Foundations: 1

### Beatrice

Completed Installation: 2019  
Foundations: 84

### Borkum Riffgrund 1

Completed Installation: 2015  
Foundations: 78

### Borkum Riffgrund 2

Completed Installation: 2019  
Foundations: 56

### Borssele 1+2

Completed Installation: 2020  
Foundations: 94

### Borssele 3+4

Completed Installation: 2020  
Foundations: 77

### Borssele 5

Completed Installation: 2020  
Foundations: 1

### Burbo Bank Extension

Completed Installation: 2017  
Foundations: 32

### Butendiek

Completed Installation: 2015  
Foundations: 80

### Courseulles-sur-Mer

Completed Installation: 2022  
Foundations: 64

### Deutsche Bucht

Completed Installation: 2019  
Foundations: 1

### Dogger Bank A

Completed Installation: 2022  
Foundations: 95

### EnBW Baltic 1

Completed Installation: 2011  
Foundations: 21

### EnBW Baltic 1

Completed Installation: 2011  
Foundations: 21

### EnBW Baltic 2

Completed Installation: 2015  
Foundations: 80

### Galloper

Completed Installation: 2018  
Foundations: 56

### Gode Wind 1+2

Completed Installation: 2017  
Foundations: 97

### Gunfleet Sands

Completed Installation: 2010  
Foundations: 48

### Gwynt y Môr

Completed Installation: 2015  
Foundations: 160

### Hollandse Kust Zuid 1-4

Completed Installation: 2021  
Foundations: 140

### Horns Rev 2

Completed Installation: 2009  
Foundations: 91

### Horns Rev 3

Completed Installation: 2019  
Foundations: 49

### Hornsea 1

Completed Installation: 2019  
Foundations: 174

### Hornsea 2

Completed Installation: 2022  
Foundations: 165

### Kaskasi

Completed Installation: 2021  
Foundations: 38

### Kriegers Flak

Completed Installation: 2021  
Foundations: 72

### London Array

Completed Installation: 2013  
Foundations: 175

### Moray East

Completed Installation: 2021  
Foundations: 100

### Nordergründe

Completed Installation: 2017  
Foundations: 18

### Norther

Completed Installation: 2019  
Foundations: 44

### Northwester 2

Completed Installation: 2020  
Foundations: 23

### Saint Nazaire

Completed Installation: 2022  
Foundations: 80

### Sandbank

Completed Installation: 2017  
Foundations: 72

### Seamade (Mermaid)

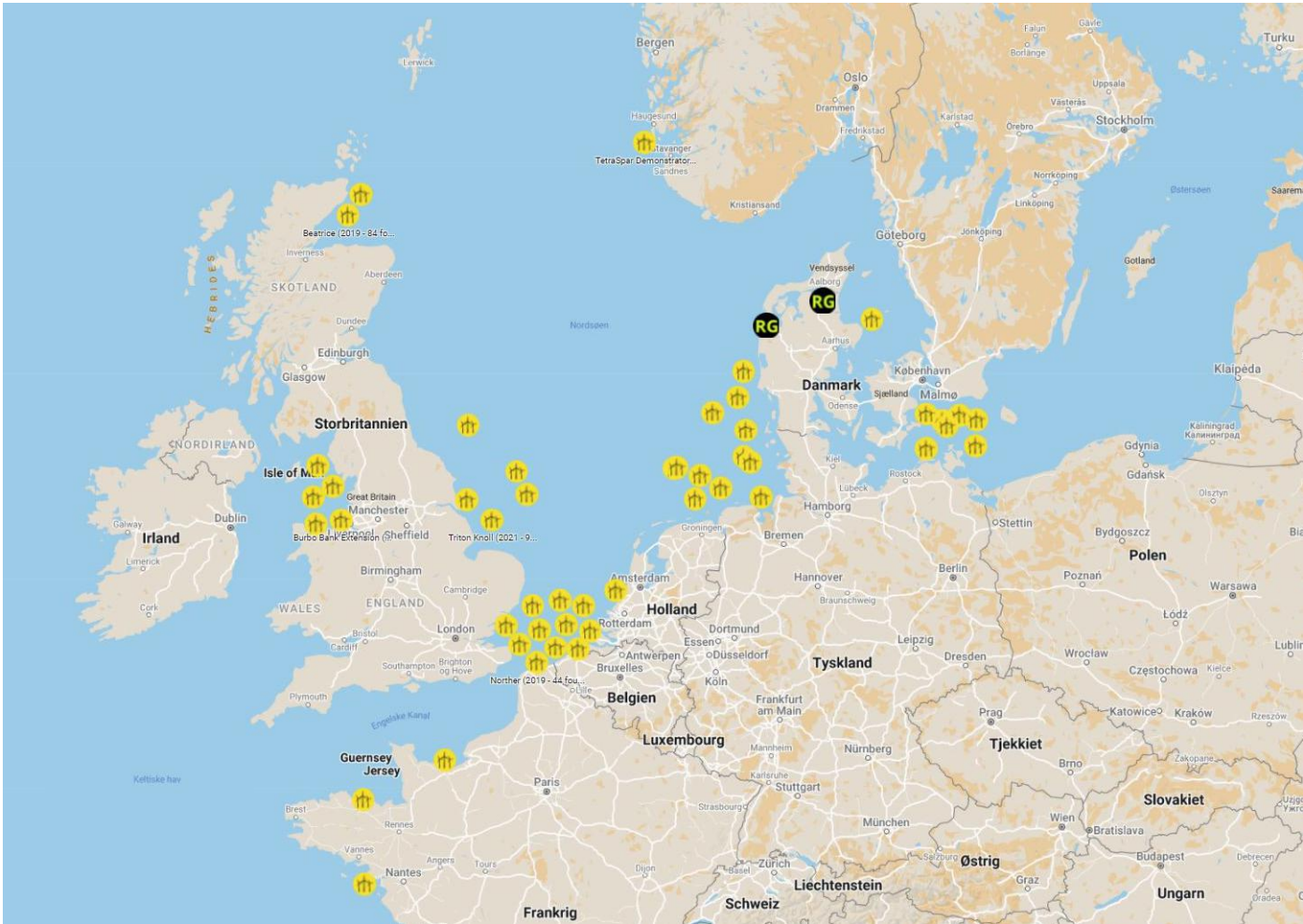
Completed Installation: 2020  
Foundations: 28

### Seamade (Seastar)

Completed Installation: 2020  
Foundations: 30

### St. Brieuc

Completed Installation: 2021  
Foundations: 1



**TetraSpar Demonstrator**

Completed Installation: 2020  
Foundations: 1

**Triton Knoll**

Completed Installation: 2021  
Foundations: 90

**Veja Mate**

Completed Installation: 2017  
Foundations: 67

**Walney 1+2**

Completed Installation: 2012  
Foundations: 102

**Walney Extension**

Completed Installation: 2018  
Foundations: 87

**West of Duddon Sands**

Completed Installation: 2014  
Foundations: 108

**Westermost Rough**

Completed Installation: 2015  
Foundations: 35

**Wiking**

Completed Installation: 2018  
Foundations: 70

USA

**Coastal Virginia**

Completed Installation: 2021  
Foundations: 2

Asia

**Changfang & Xidao 1**

Completed Installation: 2021  
Foundations: 16

**Changfang & Xidao 1**

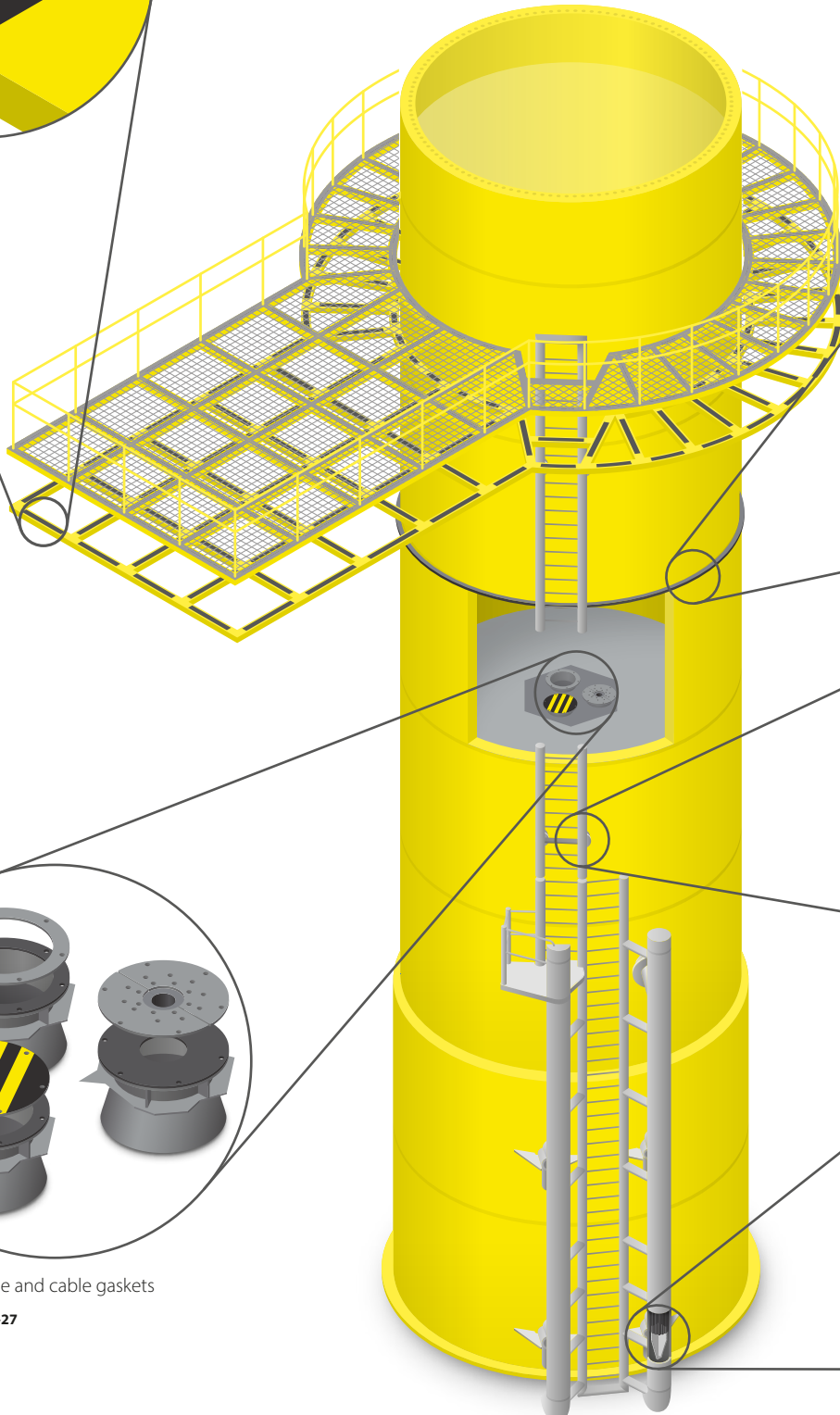
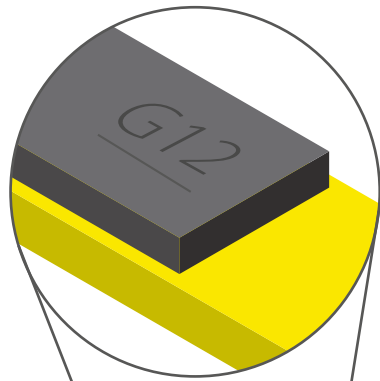
Completed Installation: 2021  
Foundations: 16

**Formosa II**

Completed Installation: 2021  
Foundations: 47

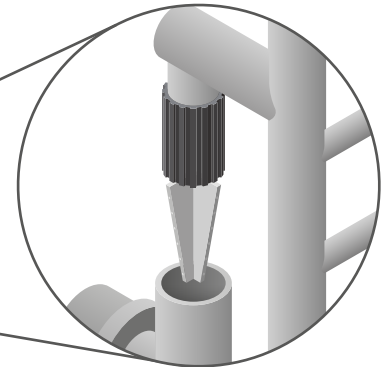
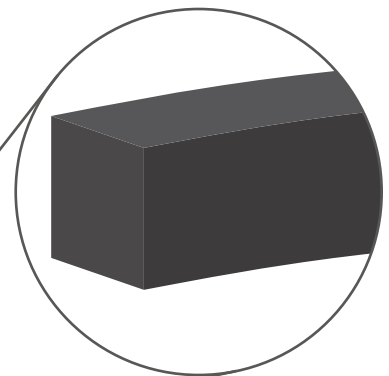
Rubber or plastic midlayer for platforms.

Page: 20-23



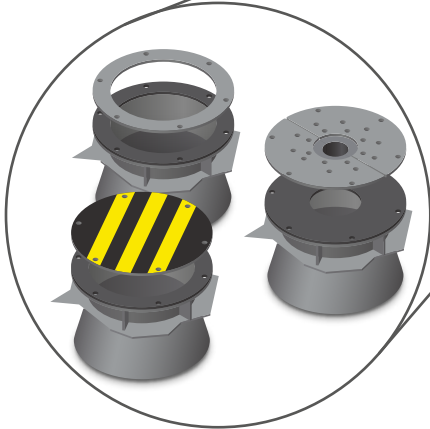
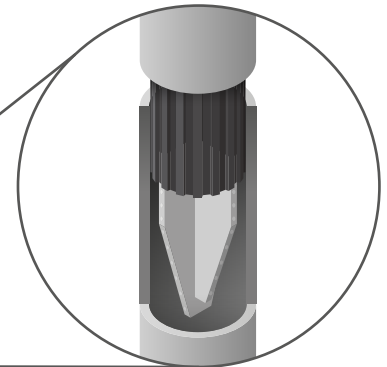
Large gaskets for grouting external platforms

Page: 28-29



Rubber solutions for boatlandings

Page: 6-13





Manhole and cable gaskets


Page: 26-27



# RG ROM GUMMI

 [WWW.EN.ROMGUMMI.DK](http://WWW.EN.ROMGUMMI.DK)

 +45 9782 2033

 [INFO@ROMGUMMI.DK](mailto:INFO@ROMGUMMI.DK)