

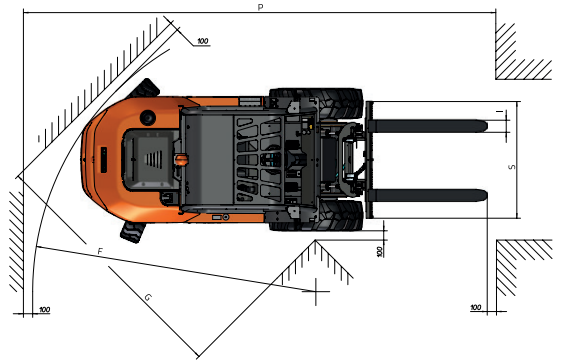
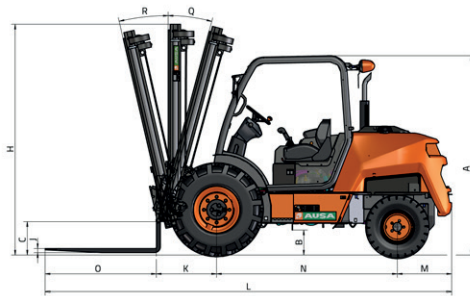


TECHNICAL DATA

GENERAL		C 351 H	C 351 H x4
Load capacity to 20"	lb	7,700	7,700
Load capacity to 24"	lb	7,100	7,100
Unladen weight *	lb	10,580	10,847
Transmission	-	Hydrostatic, with continuous speed control	Hydrostatic, with continuous speed control
MAST			
Fork carriage	-	FEM 3	FEM 3
Carriage width	in	49,60 / 63	49,60 / 63
ENGINE			
Make	-	KUBOTA	KUBOTA
Model	-	V2403-CR	V2403-CR
Power	hp	41.8	41.8
Operating speed	r/min	2,200	2,200
Torque	Nm@rpm	158.6@1600	158.6@1600
No. cylinders	-	4	4
Emissions	-	Stage V + EPA/CARB Tier 4f	Stage V + EPA/CARB Tier 4f
Ambient noise	dB(A)	104	104
DRIVING			
Max. speed	mph	12.4	12.4
Gradability	%	30	30
Traction	-	4x2	4x4 FullGrip®
Front tyres	-	16/70-20	16/70-20
Rear tyres	-	27x10-12	12-16.5
HYDRAULIC SYSTEM			
Hydraulic circuit	gal/min	13.94	13.94
Working pressure	psi	2,465	2,465
TANK CAPACITY			
Fuel	gal	16.4	16.4
Hydraulic	gal	13.5	13.5
BRAKES			
Service	-	Hydraulic, multi-disc and sealed	Hydraulic, multi-disc and sealed
Parking	-	Negativ, multi-disc and sealed	Negativ, multi-disc and sealed

DIMENSIONS

TYPE OF MAST	Maximum lift (ft)	H		Free lift (in)	Load at maximum height (lb) All-terrain use	
		Retracted mast height (in)	Extended mast height (in)		Narrow axle	Wide axle
Duplex mast (Std.)	10.82	105.1	179.9	4.7	7,716	7,716
Triplex mast	12.14	83.8	195.6	47.2	7,054	7,716
Triplex mast	17.88	106.3	262.6	66.1	-	3,527



DIMENSIONS (in)	C 351 H	C 351 H x4
A	85.43	86.22
B	11.81	12.60
C	13.98	14.76
D	59.45	64.76
E	70.07	70.07
E**	80.71	80.71
F	123.58	171.26
G	115.35	121.65
I	4.72	4.72
J	1.97	1.97
K	27.95	27.95
L	178.74	178.74
M	24.21	24.21
N	79.53	79.53
O	47.24	47.24
P	208.66	261.61
Q	14°	14°
R	11°	11°
S	47.24	47.24
S***	62.99	62.99

** Measured with high-lift mast installed ***Measured for wide axle carriage



www.ausa.com

Products are subject to modifications without prior notice. Images throughout the spec sheet may refer to non-standard machines or non-available configurations depending on models.

AUSA's logo and corporate identity are property of the Company, they cannot be used without authorization.

