

Technical Specifications

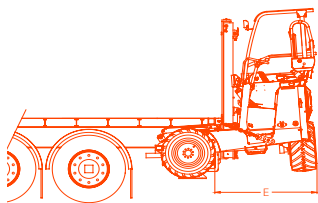
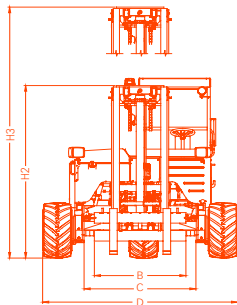
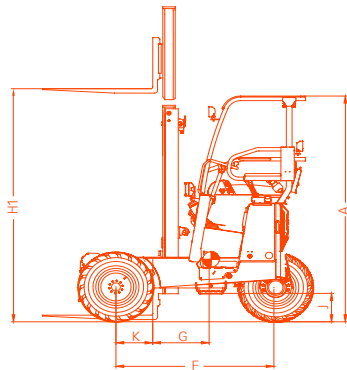
Princeton PB45



PRINCETON
DELIVERY SYSTEMS®



Princeton PB45 Technical Specifications



	Model	PB45
	TYPE	Standard
1	CAPACITY @ 24" LOAD CENTER	4500 lbs
2	DIESEL ENGINE	48 HP
3	ENGINE EMISSION COMPLIANCE	EPA Tier4 Final
4	MAXIMUM RPM	2700 RPM
5	ELECTRICAL SYSTEM	12 Volt
6	DRIVE WHEELS	3
7	STEERING	Hydrostatic
8	TIRE TYPE	29 x 12.5 - 15 8-Ply (TG)
		29 x 12.5 - 15 8-Ply (TG)
9	TIRE OUTSIDE DIAMETER	29"
10	TIRE WIDTH	12.5"
11	MAXIMUM SPEED	7 mph
12	MAXIMUM GRADABILITY	30%
13	TURNING RADIUS	81"
14	UNLADEN WEIGHT	5150 lbs
14a	UNLADEN WEIGHT (OPTIONAL)	5290 lbs
15	WORKING PRESSURE (ATTACHMENTS)	2500 psi
16	TILT OF MAST (FORWARD/BACKWARD)	7° / 6°
17	SIDESHIFT	5"
18	FORK SECTION	45 x 4 x 1.75"
19	MAST CARRIAGE TRAVEL	35.5"
A	HEIGHT TO TOP OF CANOPY	97"
B	FORK CARRIAGE WIDTH (CLASS)	47.25" (II)
C	FRAME OPENING	60.5"
D	OVERALL WIDTH	100"
E	OVERHANG	56"
F	WHEELBASE	68"
G	CENTER OF GRAVITY (FROM FORK FACE)	15.5"
H1	LIFT HEIGHT	120"
H2	MAST HEIGHT - COLLAPSED	97"
H3	MAST HEIGHT - RAISED	156.5"
H1a	LIFT HEIGHT	144"
H2a	MAST HEIGHT - COLLAPSED	109"
H3a	MAST HEIGHT - RAISED	181.5"
J	GROUND CLEARANCE	9.5"
K	FACE OF FORK TO CENTER OF FRONT TIRE	20"
L	ANSI STANDARD	B56.6

The above specifications are not binding upon the manufacturer and may be changed without prior notice.

Weights may vary, depending on tire and/or fork options

For more information, contact your local PiggyBack Dealer

PRINCETON
DELIVERY SYSTEMS®

Princeton Delivery Systems
12233 Williams Road
Perrysburg, OH 43551 USA
tel 1.800.331.5851
www.piggy-back.com

A Part of the Hiab Group
V2017.05.11

