

The Entrance Door Collection



ALLAN EST 1811 **BROS.**

Craftsmen of Bespoke Timber Windows & Doors

The Crafted Scotdoor Collection

A reliable solution for modern and traditional homes

Our immensely popular Scotdoors combine Scandinavian performance with classic British styling.

Known for their durability, stunning colours and variety of panel configurations, these practical entrance doors are an attractive choice for both traditional and modern homes.

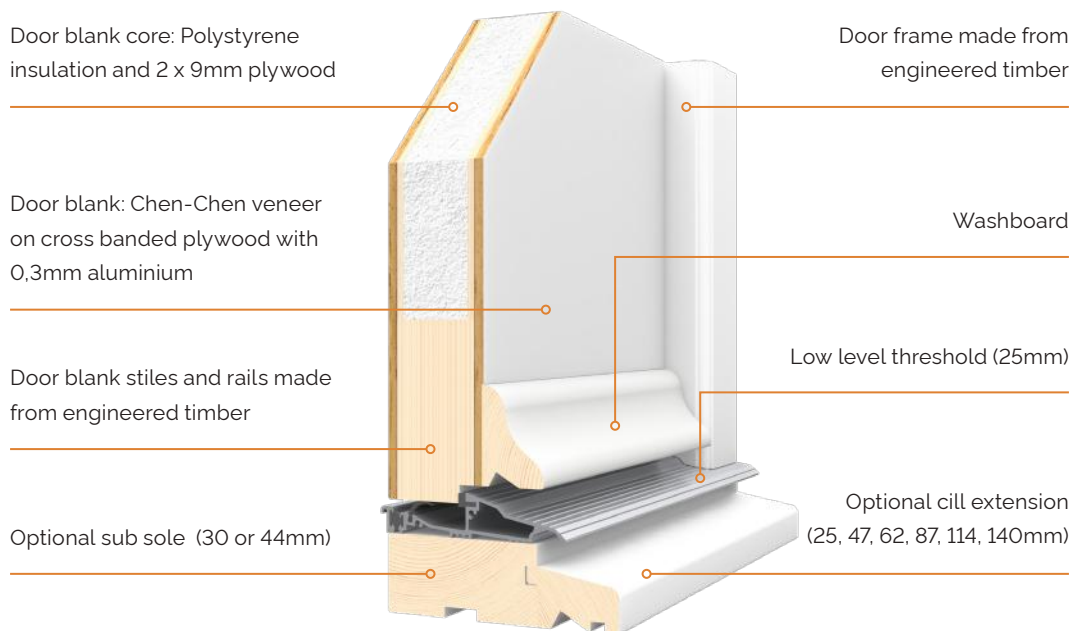
Their robust frames are manufactured from European Redwood or Red Grandis, and the composite door leaf is reinforced with layers of aluminium sheets, engineered timber and polystyrene insulation, finished with a premium timber veneer. This tried-and-tested 'sandwich' design ensures excellent strength, energy efficiency, and resistance to weather and everyday wear and tear.

Our multi-point locking system, PAS24:2022 and Secured by Design accreditation, will also help keep your home safe and secure!

Each door is precision-made, factory-finished to modern building standards, and supplied fully assembled for quick, easy installation.

So, whether you are looking for a traditional replacement or a strikingly bold new look, our Scotdoors will give your home kerb appeal for many years to come.

ANATOMY OF A SCOTDOOR





Arran

- Traditional door design
- Grooved door panel
- 4 designs



Arran 1 - Traffic White



Arran 2 - Chartwell Green



Arran 3 - Pastel Turquoise



Arran 4 - Anthracite Grey



Harris

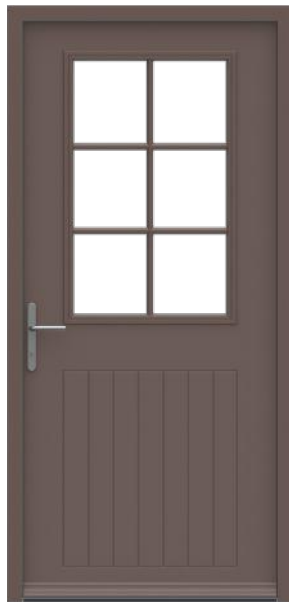
- Classic half glazed door
- Traditional panel effect
- Elegant glass design options available
- 2 designs



Harris 2 - Traffic White



Harris 1 - Agate Grey



Harris 2 - Chocolate Brown



Harris 1 - Anthracite Grey



Iona

- Modern half glazed door design
- Smooth door blank
- Bolection moulding
- 3 designs



Iona 1 - Pure White



Iona 2 - Traffic White



Iona 1 - Chartwell Green



Iona 3 - Pastel Turquoise



Islay

- Classic and simple slatted panel effect
- Decorative glazing options available adding style and character to the doors
- 8 designs



Islay 2 – Traffic White



Islay 1 – Agate Grey



Islay 3 – Jet Black



Islay 4 – Pastel Turquoise



Islay 5 - Pure White



Islay 6 - Chartwell Green



Islay 7 - Chocolate Brown

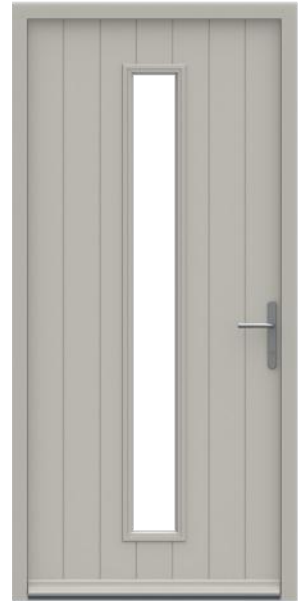


Islay 8 - Anthracite Grey



Jura

- Contemporary designs
- Pull handle options
- Decorative glass options available
- 5 designs



Jura 5 – Pebble Grey



Jura 2 – Anthracite Grey



*Jura 1 with pull handle
– Jet Black*



Jura 4 – Traffic White



Jura 1 - Pastel Turquoise



Jura 5 - Cream White



*Jura 2 with pull handle
- Jet Black*



Jura 3 - Chartwell Green



Lewis

- Clean design/
smooth door panel
- No glazing aperture
- Different hardware
options available

Mull

- Grooved door panel
- Glazing aperture
- Different hardware
options available





Tiree 1 – Chartwell Green

Tiree

- Smooth, clean design
- Bolection moulding
- With or without glazing aperture
- 2 Designs

Tiree 2 – Jet Black





Skye

- 4 designs
- Elegance and simplicity
- A range of decorative glass options available



Skye 1 – Pastel Turquoise



Skye 4 – Chartwell Green



Skye 3 – Pure White



Skye 2 – Anthracite Grey

Crafted Stable Doors

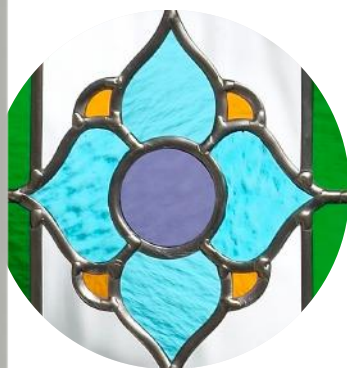
Classic country character with modern craftsmanship

Our beautifully crafted Stable Doors offer timeless style and practical versatility for your home. With their distinctive split design, these doors allow the top half to open independently of the bottom – perfect for letting in fresh air while keeping pets and little ones safely indoors.

The Stable door can be constructed either as a glazed Entrance Door (French door) or as a Timber Composite Entrance door (door blank) construction.



Door Glass Collection

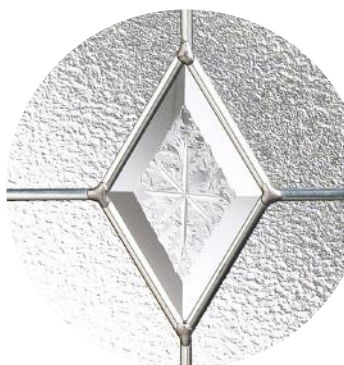


Dorchester

- Available with green, blue or amber border

Privacy Level:

- 1 2 3 4 5



Classic

Privacy Level:

- 1 2 3 4 5



Beaumont

Privacy Level:



Finesse

Privacy Level:





Simplicity

Privacy Level:

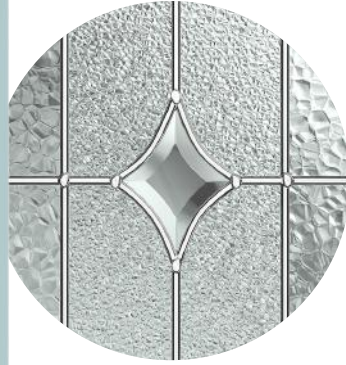
- ① ② ③ ④ ⑤



Elan

Privacy Level:

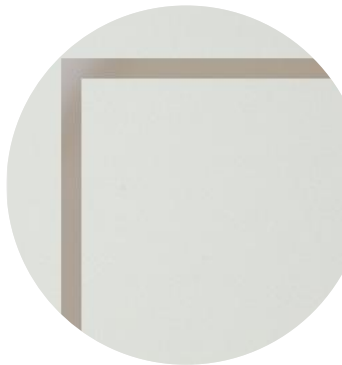
- ① ② ③ ④ ⑤



Esprit

Privacy Level:

- ① ② ③ ④ ⑤



Victorian Borders

Privacy Level:

- ① ② ③ ④ ⑤



Mayfair

Privacy Level:



Kensington

Privacy Level:





Holborn

Privacy Level:



Caledonian Rose

Privacy Level:





Bullion

Privacy Level:

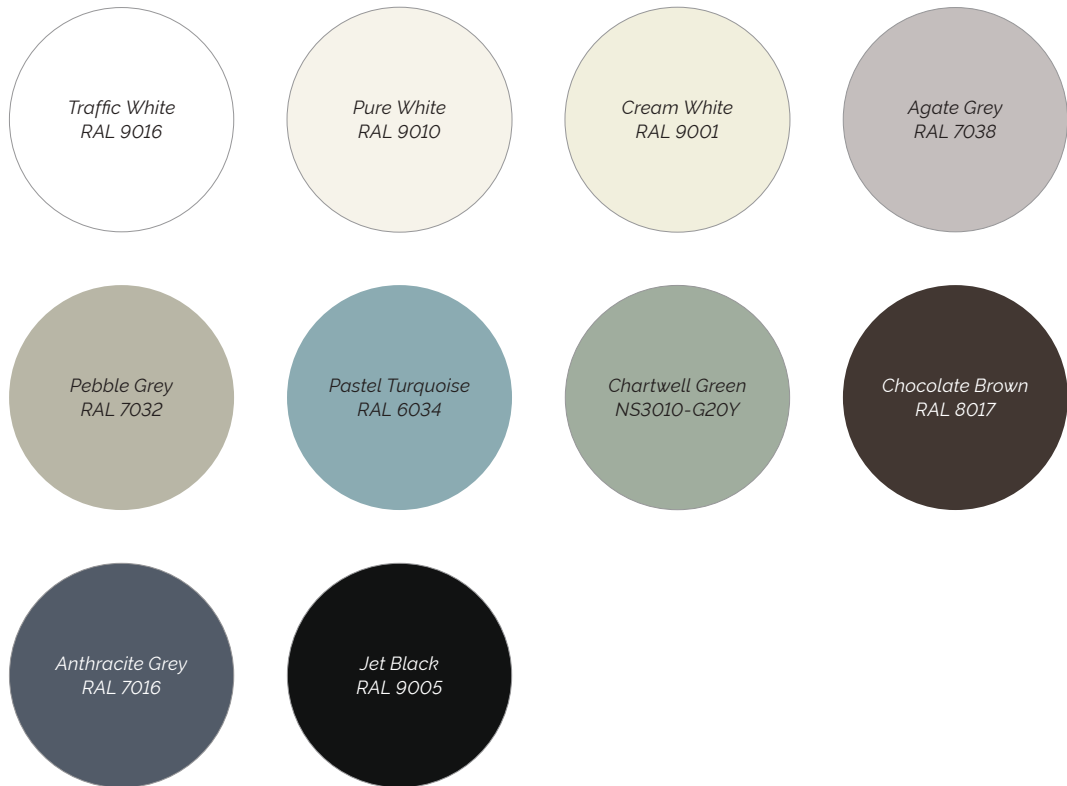


Glass / Door Design	Harris 1	Iona 1	Islay 3 (diamond)	Islay 5 (diamond)	Islay 6	Islay 7	Islay 8	Jura 1	Jura 2	Jura 3	Jura 5	Skye 1	Three 2
Dorchester	•	•			•	•			•		•	•	•
Beaumont	•	•				•			•		•	•	
Simplicity	•	•			•	•			•		•	•	•
Classic					•	•		•	•		•	•	•
Finesse					•	•	•			•		•	•
Elan	•	•			•	•			•		•	•	•
Esprit					•	•		•				•	•
Mayfair	•	•			•	•						•	•
Holborn	•	•			•	•						•	•
Victorian Borders	•	•			•	•						•	•
Kensington	•	•			•	•	•		•	•	•	•	•
Caledonian Rose	•	•			•	•		•				•	
Bullion			•	•			•			•			•

Standard Colours & Stains

Our standard colour and stain choices – many more available

RAL Finishes



Stain Finishes

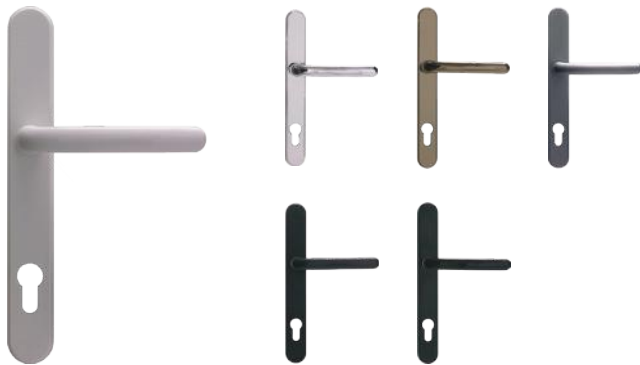


RAL Colour Upgrade

In addition to our standard colour palette, our windows and doors are available in any colour from the RAL Classic range providing a vast selection of colours from which to choose.

A surcharge for non-standard colours will apply

Standard Entrance Door Hardware



Balmoral Door Handle

White, Chrome, Gold, Graphite, Antique Black, Black



Balmoral Swan Neck Handle

Chrome, Gold, Graphite, Antique Black



Oval Escutcheon

White, Chrome, Gold, Graphite, Antique Black, Black



Standard Letterbox

White, Chrome, Gold, Graphite, Antique Black, Black, Pewter



Stainless Steel Pull Handle



Finger Pull

White, Chrome, Gold, Graphite, Antique Black, Black

Hand Crafted Range



Avon Door Handle
Black, Pewter



Cottage Slimline Handle
Black, Pewter



Monkey Tail Handle
Black, Pewter



Decorative Door Knob
White, Chrome, Gold, Graphite, Antique Black, Black



Architectural Letter Plate
Chrome, Gold, Antique Black, Graphite, Pewter, Forged Black



Bull Ring Knocker
Chrome, Gold, Graphite, Antique Black, Black

Security Cylinder

Our cylinder is possibly the strongest and best locking cylinder on the market. Designed to withstand every type of attack, the cylinder activates lock down mode when under attack, preventing unwanted visitors from gaining access. The cylinder comes with 3 keys as standard.



Crafted Entrance Doors

Timber elegance with meticulous detailing

Our beautiful timber entrance doorsets combine traditional English craftsmanship with modern levels of energy efficiency.

Drawing on 200 years of expertise in joinery, we have recreated authentic timber detailing with raised panels, traditional mid rails and transoms.

Our doors are available in softwood or red grandis Hardwood. And for added refinement, we offer larger glazed areas and decorative glass to make your home extra special.

Anatomy of a timber door



Door Frame	Width 68mm / Depth 92mm	Muntin	108mm
Top rail	108mm	Bottom Rail	142mm
Stiles	108mm	Weather bar	55mm
Mid rail	142mm* / 162mm**	Sub soles	30mm / 44mm
Transom	108mm	Cills	25, 47, 62, 87, 114, 140mm

*Standard **Premium only

Jack Brunson Design Range

Traditionally crafted for a premium experience

Our Jack Brunson collection represents the ultimate in high-end timber door design, featuring traditional joinery and premium hardware.

Manufactured from solid softwood, or red grandis timber hardwood, these meticulously crafted doors maintain elegant proportions with traditional mullions and raised field panels with chamfered edges. The perfectly aligned midrails are slightly wider to accommodate our exclusive hardware collection.

Their slim, single, continuous frame and consistent sightlines allow for fully integrated sidelights reminiscent of the style of Georgian, Victorian, and Edwardian homes and country estates. The effect is stunning.

So, if you are looking for a high-performance, energy-efficient door with character and finesse, this will be the perfect addition to your home!



Edith – Traffic White



Dorothy - Anthracite Grey



Douglas - Cream White



Edward - Pastel Turquoise



Francis - Chartwell Green



Audrey - Pebble Grey



Donald - Pure White



Phyllis - Jet Black



Fredrick - Cream White



Betty - Pebble Grey

Fredrick

- Glazed entrance door with integrated sidelight
- Premium hardware and letter plate
- Raised and fielded panel





Audrey

- Solid entrance door with integrated sidelight
- Full length pull handle
- Raised and fielded panels

Phyllis

- Glazed entrance door with curved plate and integrated sidelight
- Raised and fielded panels
- Premium hardware



Premium Hardware Range by Jack Brunson

Premium Opera Lever Handle



Satin Brass



Stainless Steel

Premium Regent Lever Handle



Satin Brass



Stainless Steel

Premium Ring Knocker



Satin Brass



Stainless Steel

Premium Doctor's Door Knocker



Satin Brass



Stainless Steel

Premium back-to-back Pull Handles



Satin Brass



Stainless Steel

Premium Door Knobs



Satin Brass



Stainless Steel

Premium Sleeved Letterplate

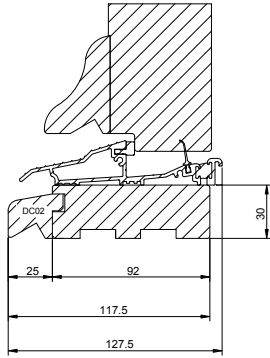


Satin Brass

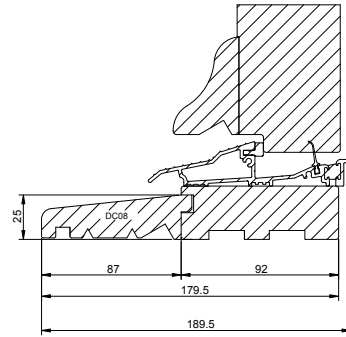


Stainless Steel

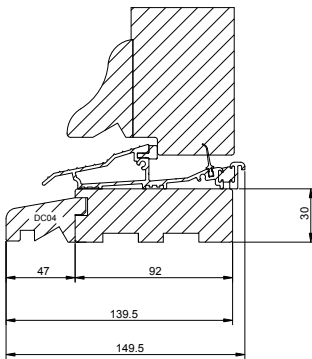
30mm Sub-Soles and Cill Extensions



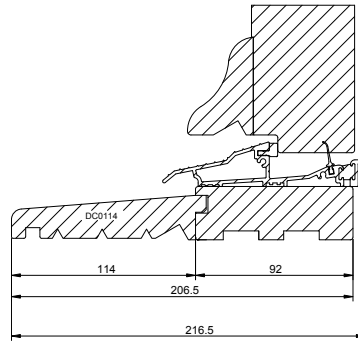
DC02 - 25mm



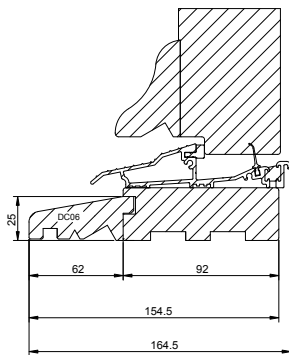
DC08 - 87mm



DC04 - 47mm

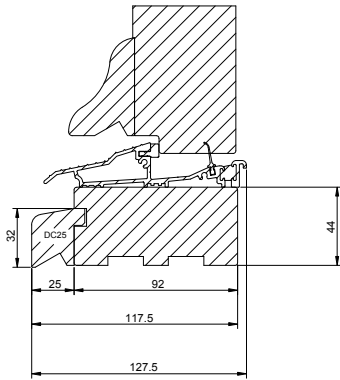


DC0114 - 114 mm

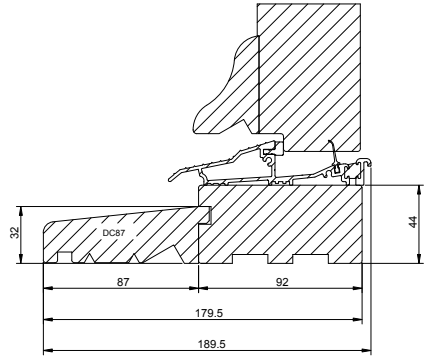


DC06 - 62mm

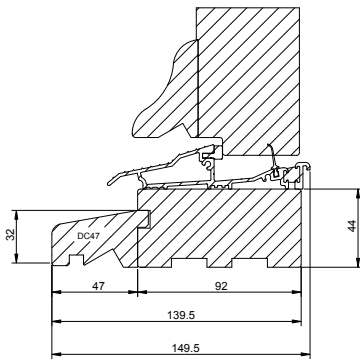
44mm Sub-Soles and Cill Extensions



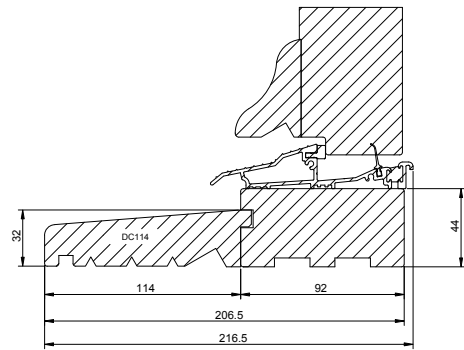
DC25 - 25mm



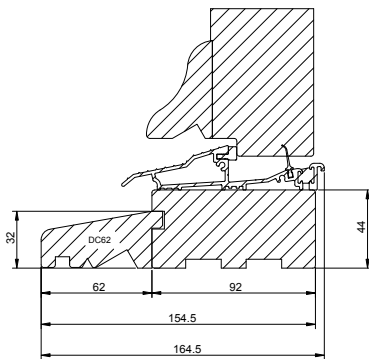
DC87 - 87mm



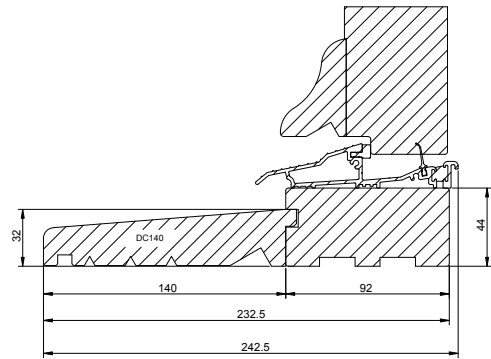
DC47 - 47mm



DC114 - 114mm



DC62 - 62mm



DC140 - 140mm

ALLAN EST. 1811 **BROS.**
Craftsmen of Bespoke Timber Windows & Doors

Allan House, Ord Road, Berwick-upon-Tweed, Northumberland, TD15 2XU

Tel: +44 (0)1289 334600 | Email: enquiries@allanbrothers.co.uk | www.allanbrothers.co.uk

03.26 | Allan Brothers reserve the right to change the products and product ranges without notice.