



We're Reinventing POTS Lines

As plain old telephone service (POTS) lines are gradually phased out, enterprises must find alternative connectivity solutions for their analog specialty and voice line applications. The OneCloud POTS Replacement Solution is designed to simplify the transition of analog voice and specialty lines, such as voice and alarms, to the cloud.



Don't Get Stuck With Ballooning Costs On These Common POTS Lines Applications



Security Alarm Panels



Fire Alarm Panels



Fax Machines



Elevator Call Boxes



Point-Of-Sale Systems



Building Entry Intercoms



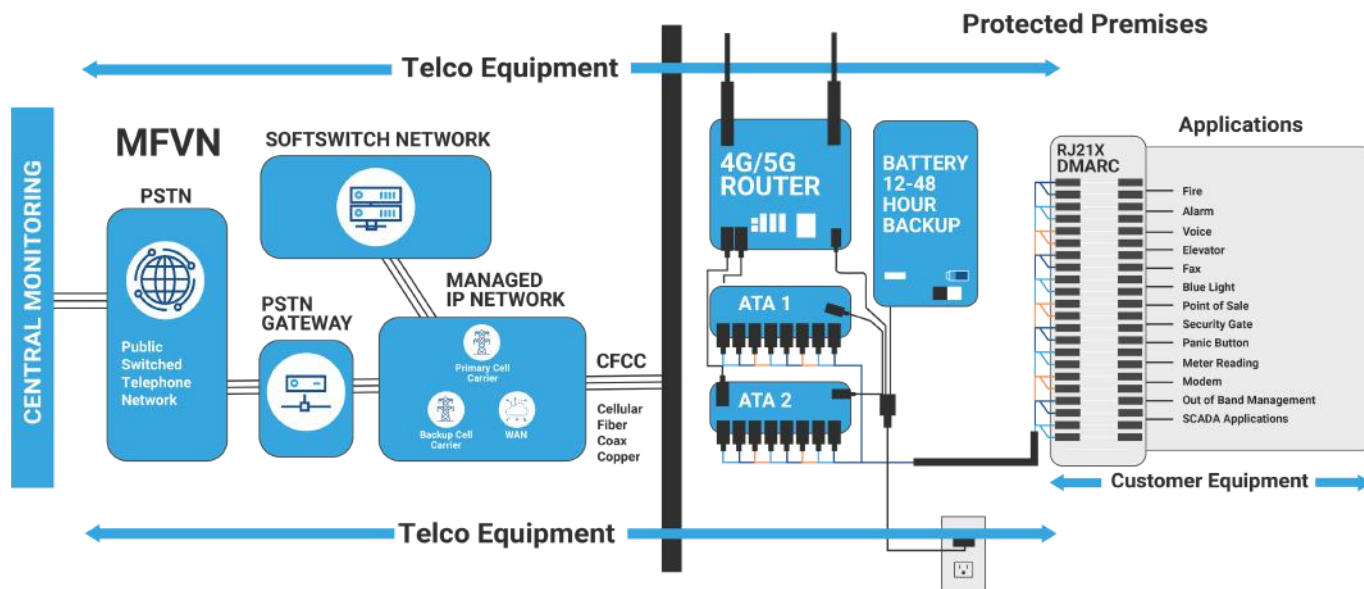
The Cost of POTS Lines Are Increasing Rapidly

Monthly subscription rates for POTS lines vary based on factors like geographic location, carrier, and available alternatives, currently approaching \$240 per line, per month in some areas. Outrageous, right? If you're concerned about these rising costs or the impact of discontinuing analog lines, we can help. OneCloud POTS Replacement can ease your concerns and save you money on your telecommunications solution.

With OneCloud There's a Potential Cost Savings of 300% OR MORE!

New POTS Line

Embrace a new era beyond the constraints of analog business lines. OneCloud's technology seamlessly integrates with your infrastructure, transforming connectivity and communication. Our advanced solution covers a wide array of applications - this isn't just a service; it's a comprehensive solution that drives your business into the future.



- ✓ Guaranteed Compatibility with Legacy Systems
- ✓ More reliable than traditional copper POTS lines
- ✓ Business connectivity during network outages
- ✓ Online Status and Management Portal
- ✓ Meets or exceeds national, state, and local building and fire codes
- ✓ NFPA 72 Code Compliance
- ✓ Real-Time Monitoring & Alerts
- ✓ The Best SLAs in the Industry
- ✓ Cost Savings up to 50%
- ✓ HIPPA Compliant for medical, pharmacy and insurance environments
- ✓ PCI Compliant for payment, POS and other financial transactions

Why POTS Line Replacement?



Staying The Course

Maintain existing POTS lines averaging each month for

\$175+/Line



OneCloud POTS Replacement

Comprehensive Cellular Solution for as Little as

\$30+/Month



A Complete Overhaul

For upfront costs to implement incomplete systems, competitors charge as much as

\$2,500+