

DALTRON X

BREAKING NEW GROUND



DX-TRENCHING

DALTRONX

BREAKING NEW GROUND



BREAKING NEW

INTRODUCTION

In the trenching world, we understand that accurate cutting, product endurance and overall efficiency are paramount to your success. Designed to overcome the toughest cutting conditions, our advanced trenching picks have become a trusted choice worldwide.

DaltronX is a global manufacturing company that specialises in the production of carbide conical cutting tools for the trenching industry. With over 30 years of experience, DaltronX has evolved into a global powerhouse in carbide pick manufacturing.



GROUND.

TABLE OF CONTENTS



19mm/20mm Shank System	5 - 10
22mm Shank System	11 - 15
25mm Shank System	17 - 26
30mm Shank System	27 - 30
38/30mm Shank System	31 - 36
42mm Shank System	37 - 38

ROCK SOLID DEPENDABILITY



SPECIALLY FORMULATED
CARBIDE RECIPE



SPECIALISED BRAZING &
HEAT TREATMENT
PROCESSES



PRECISION
COLD-FORGED
BODY



COMPATIBLE
HOLDERS AND
ACCESSORIES
AVAILABLE

CARBIDE TYPES



Maximum Abrasion
Resistance



Impact & Abrasion
Resistance



Maximum Impact

CLIP TYPES



SMALL CHAIN TRENCHERS

19MM - 20MM SHANK SYSTEMS

DaltronX 19mm-20mm picks are crafted for small chain trenchers, offering high productivity in a range of applications, including landscaping, plumbing, and electrical trenching. Whether you're cutting shallow or deep trenches, these picks deliver precise, efficient results to help you get the job done faster.

Engineered for durability and performance, our trenching picks maximise your investment by ensuring consistent cutting efficiency and reliable productivity across every trenching job, year after year.

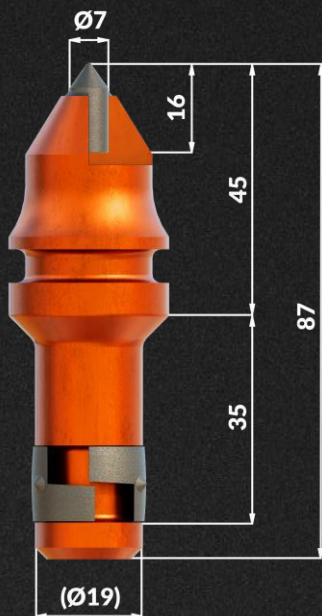


19-20MM SHANK



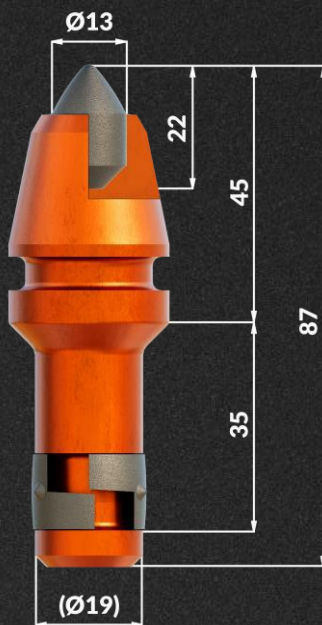
CARBIDE CUTTING PICKS

19MM SHANK SYSTEMS



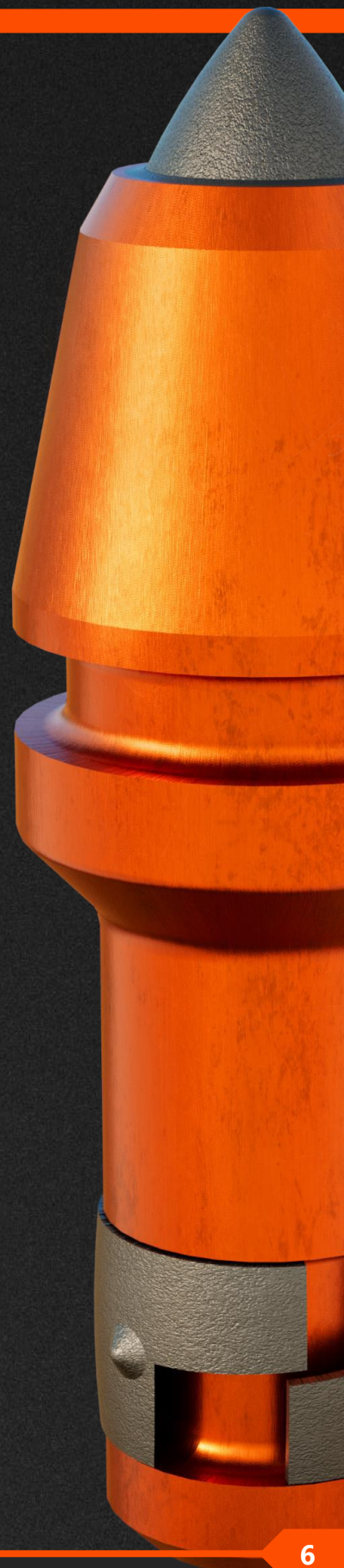
DX-FD1

DX-FD2



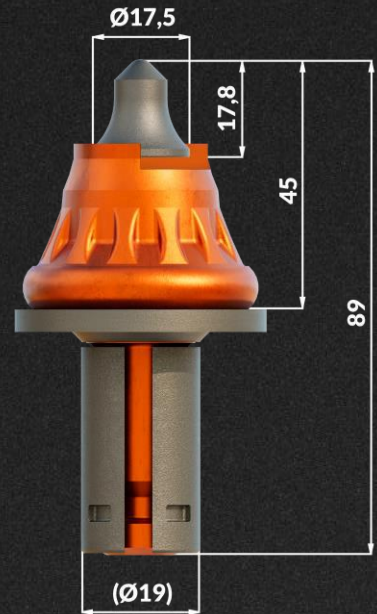
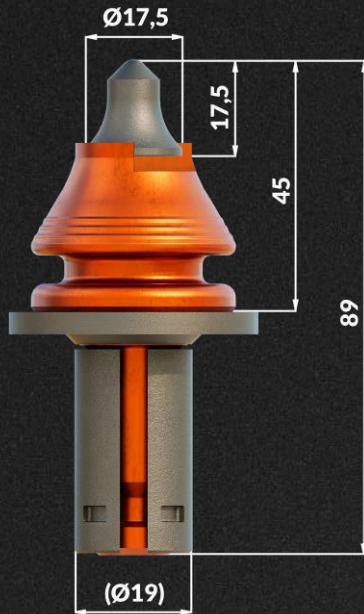
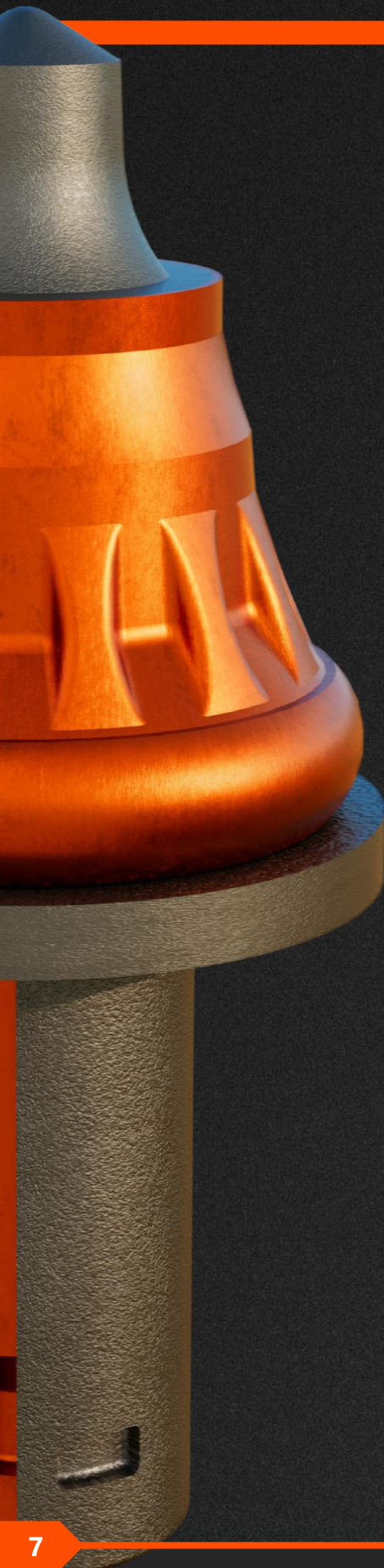
DX-FD3

DX-FD4



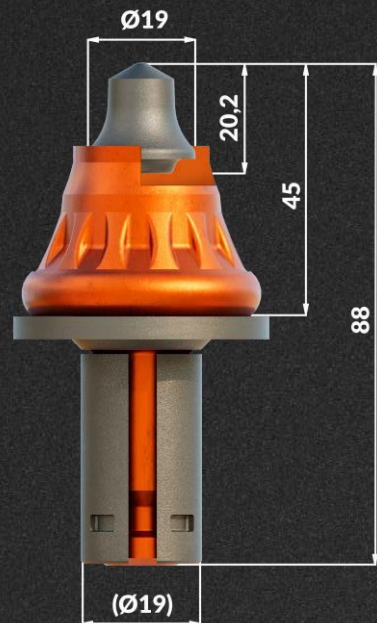
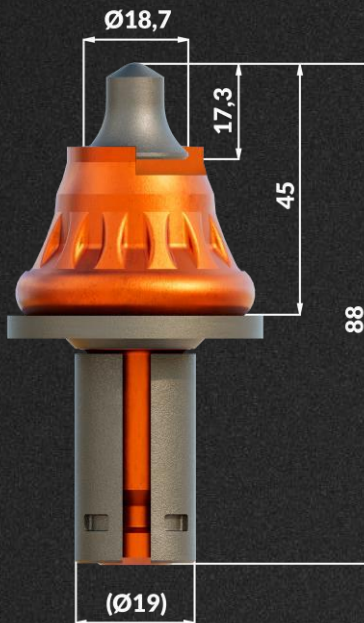
CARBIDE CUTTING PICKS

19MM SHANK SYSTEMS



DX-R2P

DX-R2

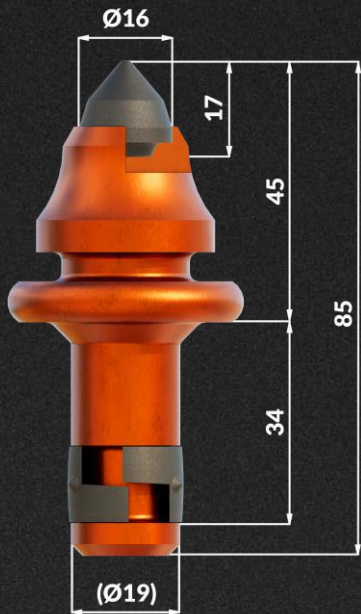


DX-R3

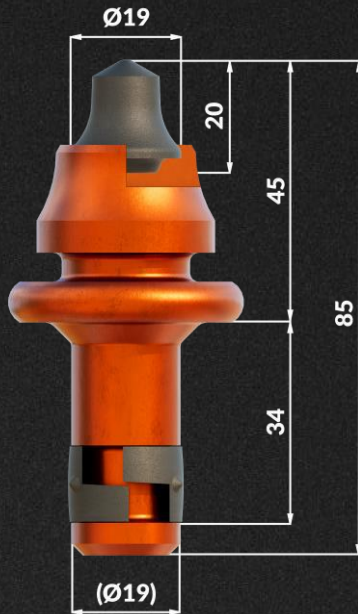
DX-R4



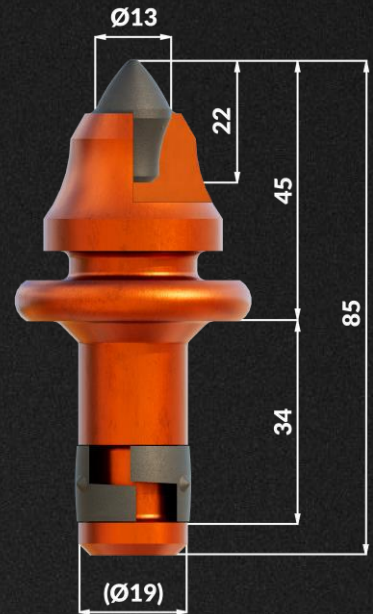
CARBIDE CUTTING PICKS 19MM SHANK SYSTEMS



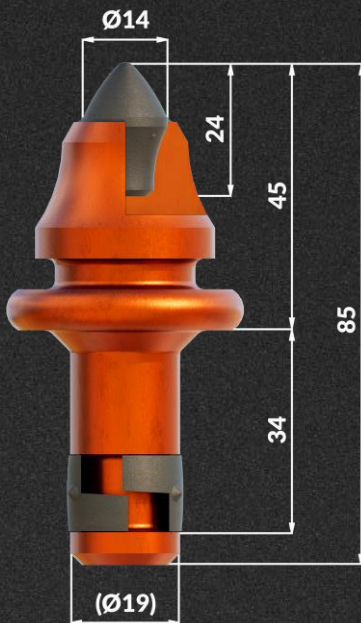
DX-T25



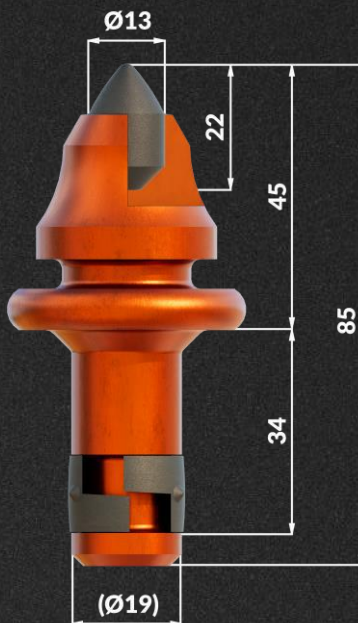
DX-T26



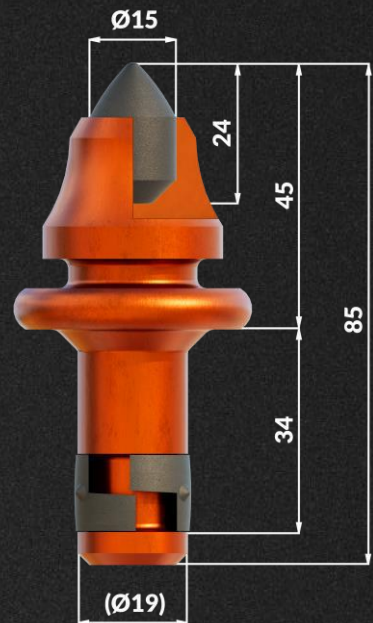
DX-T27



DX-T28



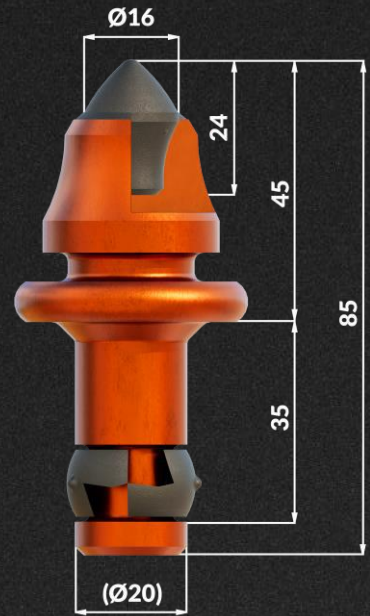
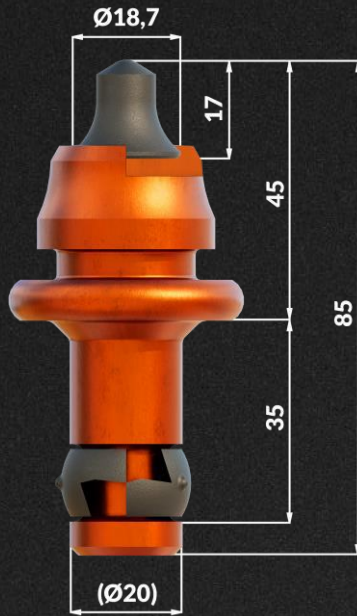
DX-T29



DX-T30

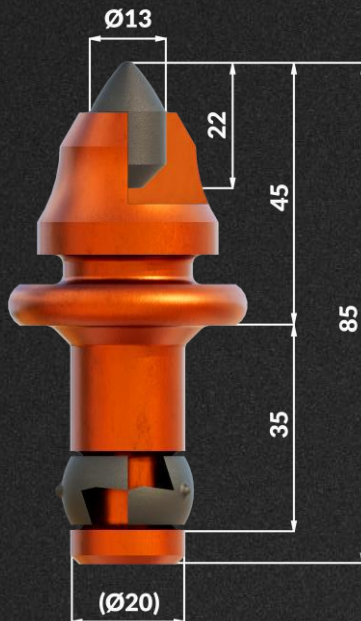
CARBIDE CUTTING PICKS

20MM SHANK SYSTEMS



DX-T31

DX-T32



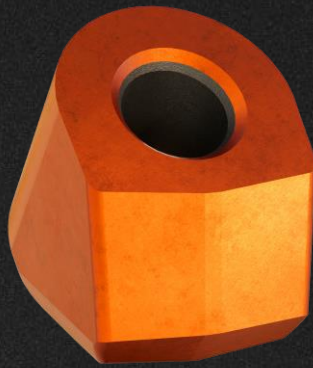
DX-T33

DX-T34

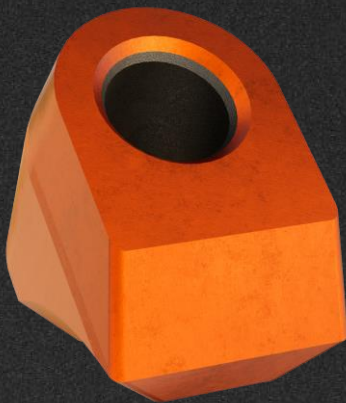
19MM/20MM SHANK SYSTEMS



DX-TB-C20



DX-TB-C20HD



DX-TB-BHR07



DX-CLIP REMOVER



SMALL WHEEL TRENCHERS

22MM SHANK SYSTEMS

DaltronX 22mm trenching picks are specifically designed for small wheel trenchers, delivering exceptional cutting performance in challenging conditions like solid rock and concrete. Despite their size, these picks provide precise and efficient excavation while minimising excess material, making cleanup easier and faster.

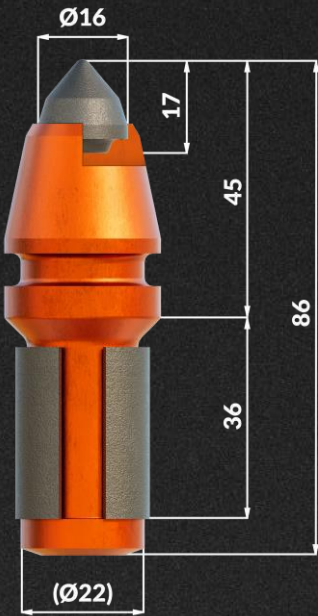
Commonly used in applications such as highway concrete cutting and trenching for underground networks and cables, our 22mm picks ensure reliable performance in compact spaces where precision and durability are critical.



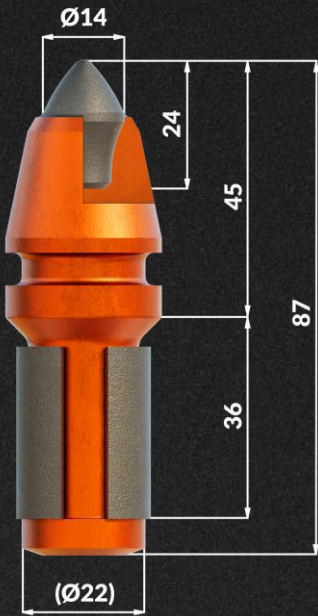
22MM SHANK



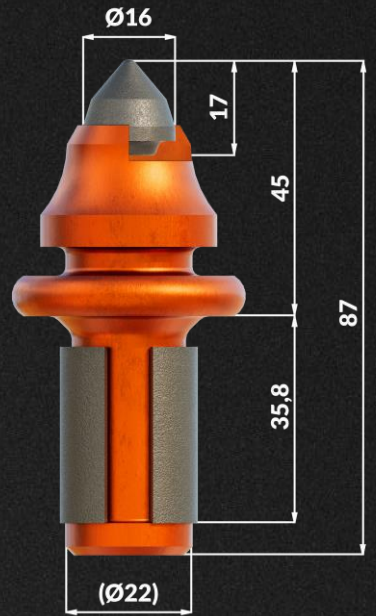
CARBIDE CUTTING PICKS 22MM SHANK SYSTEMS



DX-FD5



DX-FD6



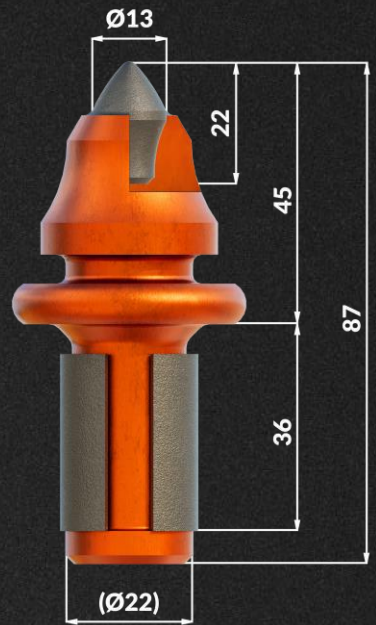
DX-T35



DX-T36



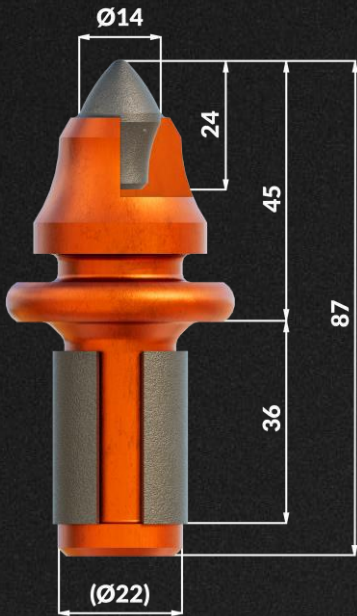
DX-T37



DX-T38

CARBIDE CUTTING PICKS

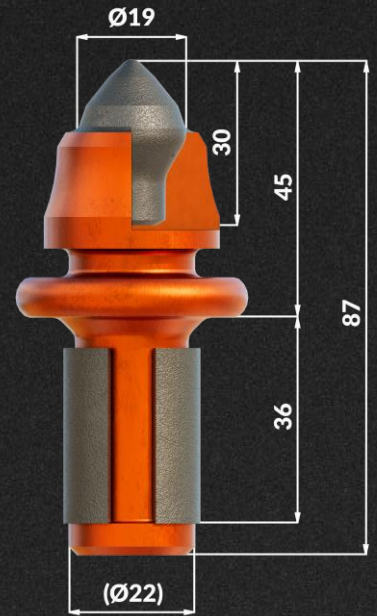
22MM SHANK SYSTEMS



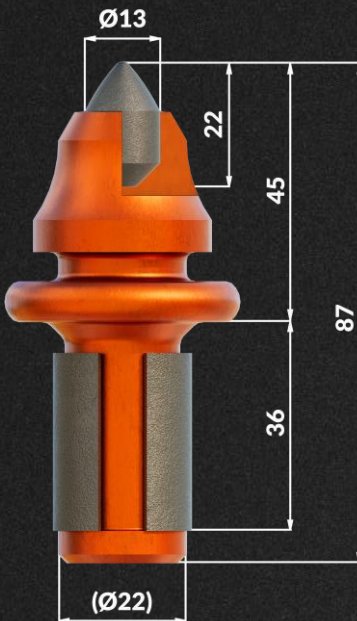
DX-T39



DX-T40



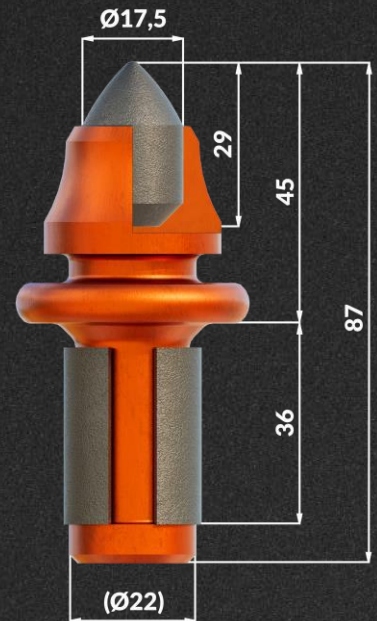
DX-T41



DX-T42



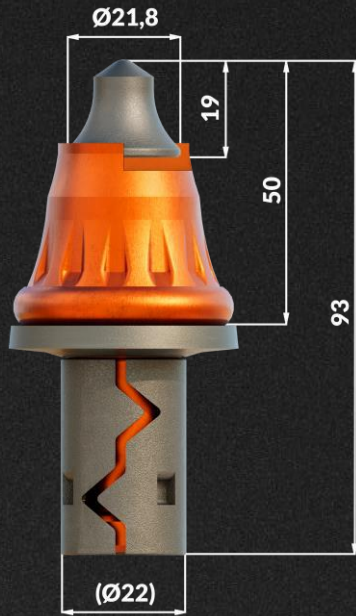
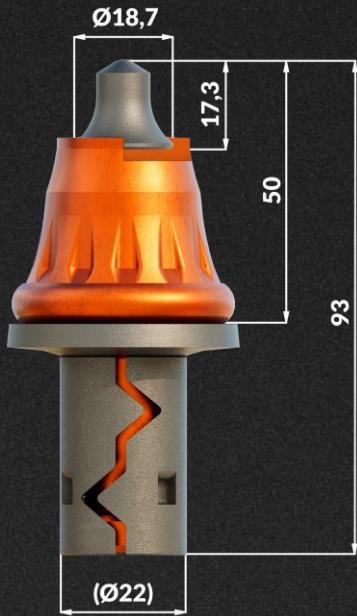
DX-T43



DX-T44

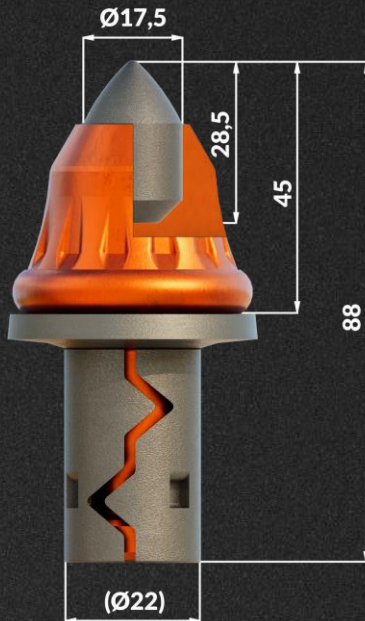
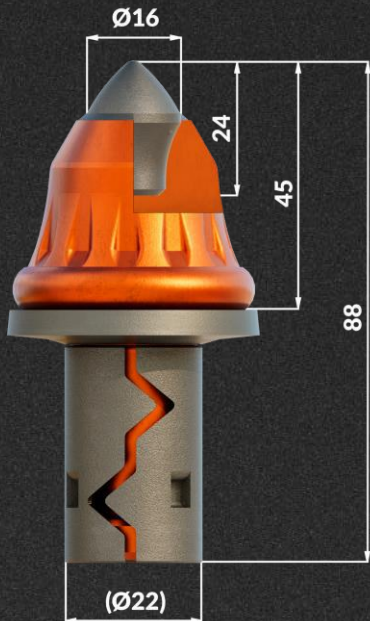


CARBIDE CUTTING PICKS 22MM SHANK SYSTEMS



DX-RS3

DX-RS5



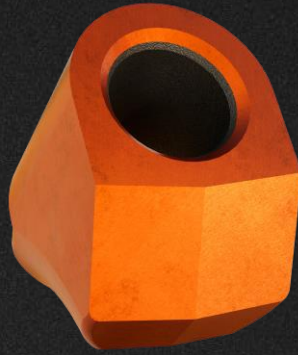
DX-RS6

DX-RS7



HOLDERS

22MM SHANK SYSTEMS



DXTB-C87B



DXTB-C87BG



DX-CLIP REMOVER



**ENGINEERED TO LAST.
DESIGNED TO PERFORM.
TESTED FOR PERFECTION.
EXPERIENCE THE DX DIFFERENCE.**

WHEEL AND CHAIN TRENCHERS

25MM SHANK SYSTEMS

DaltronX 25mm trenching picks are designed for maximum versatility, whether you're digging shallow utility trenches or cutting through solid rock. Ideal for wheel and chain trenchers, these picks provide precise excavation while minimising the amount of spoil material left behind, improving efficiency on-site.

Perfect for a variety of applications, including narrow and deep cuts, our 25mm picks are engineered to perform in the toughest environments. Paired with trenchers equipped for automated cable laying and back-filling systems, these picks deliver optimal cutting performance and peak operational efficiency.

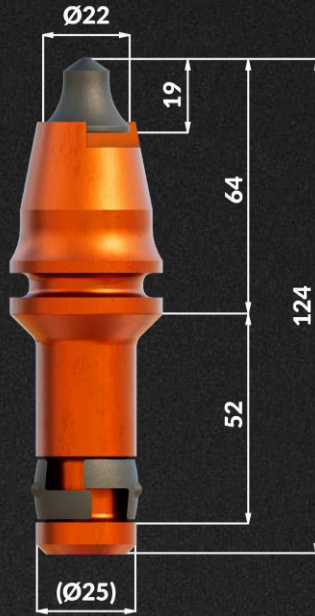


25MM SHANK



CARBIDE CUTTING PICKS

25MM SHANK SYSTEMS



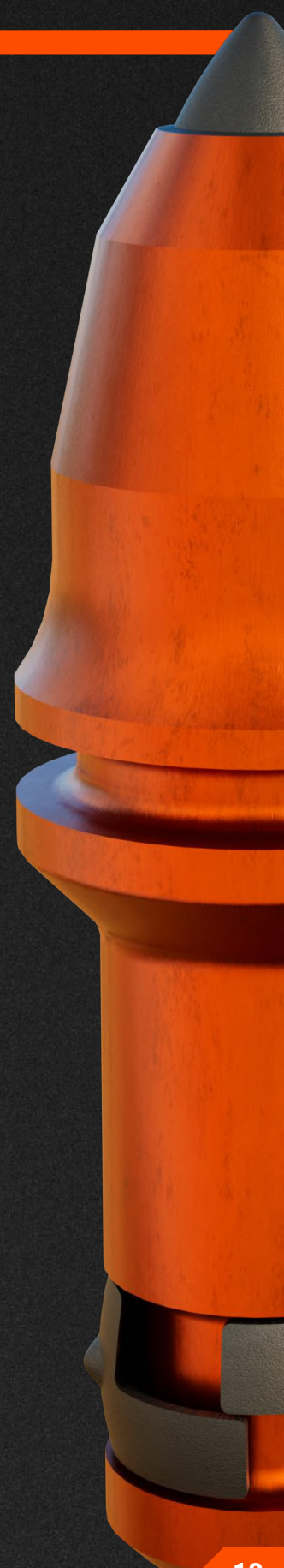
DX-FD7

DX-FD8



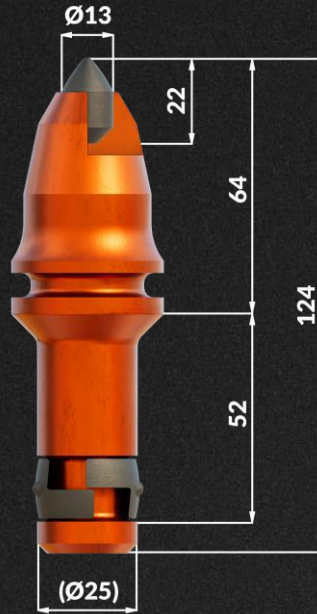
DX-FD11

DX-FD12



CARBIDE CUTTING PICKS

25MM SHANK SYSTEMS



DX-FD13



DX-FD14



DX-FD15



DX-FD16



CARBIDE CUTTING PICKS

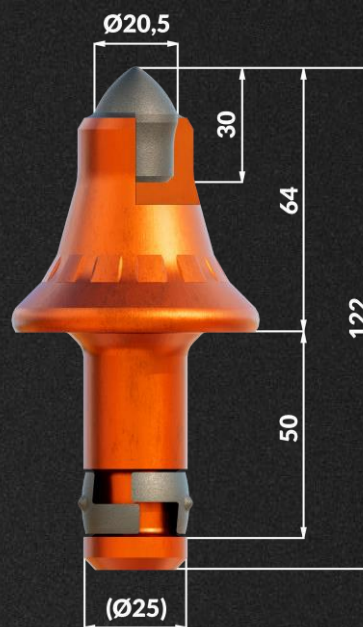
25MM SHANK SYSTEMS



DX-T45

DX-T46

DX-T23



DX-T24

DX-T21

DX-T22

CARBIDE CUTTING PICKS

25MM SHANK SYSTEMS



DX-FD17



DX-T49



DX-T50



DX-T51

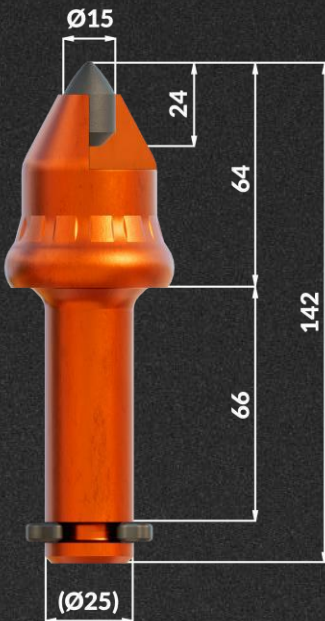


CARBIDE CUTTING PICKS 25MM SHANK SYSTEMS



DX-T52

DX-T53



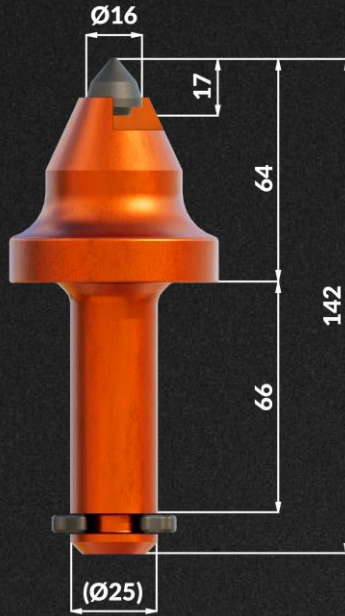
DX-T54

DX-T55



CARBIDE CUTTING PICKS

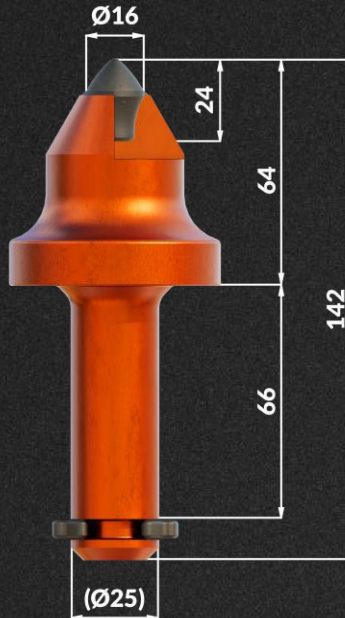
25MM SHANK SYSTEMS



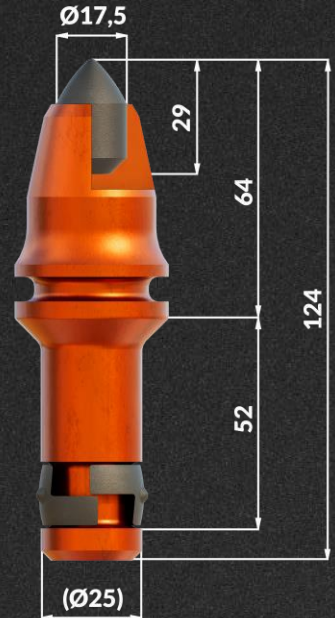
DX-T56



DX-T57



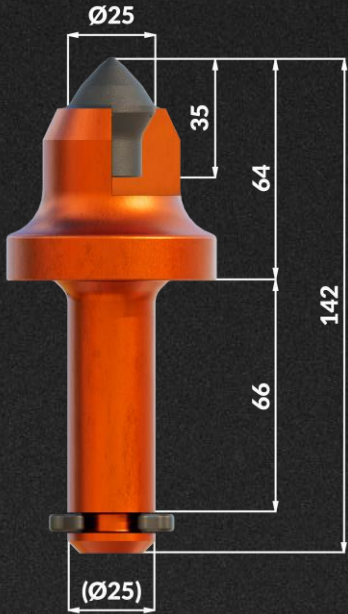
DX-T60



DX-T15

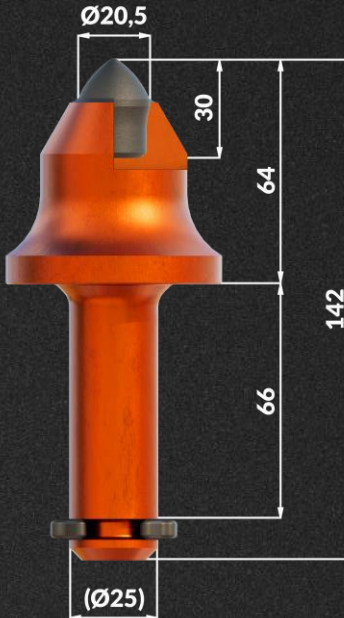
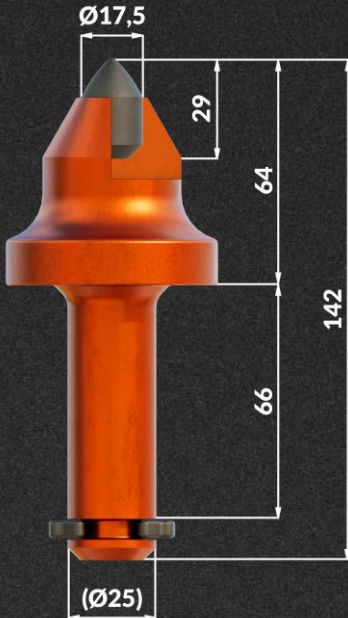


CARBIDE CUTTING PICKS 25MM SHANK SYSTEMS



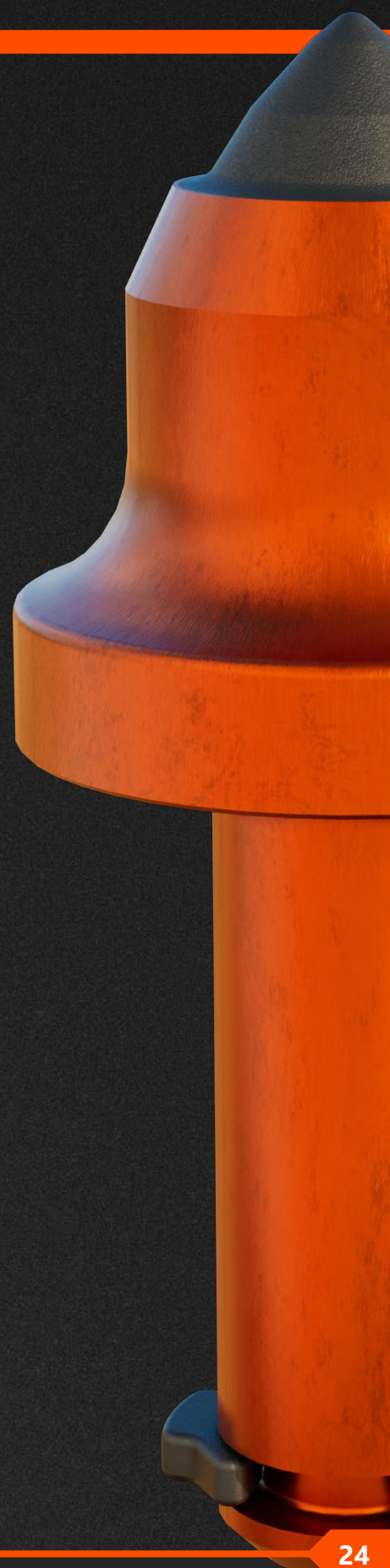
DX-T61

DX-T62



DX-T63

DX-T6

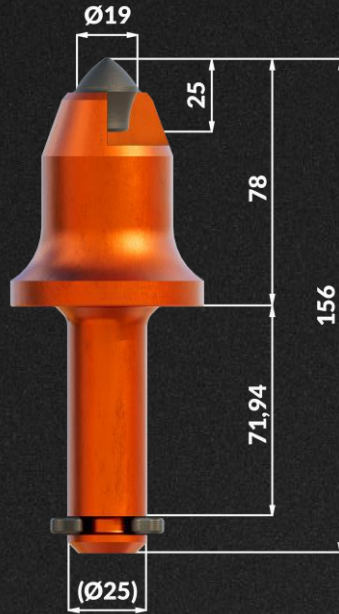


CARBIDE CUTTING PICKS

25MM SHANK SYSTEMS



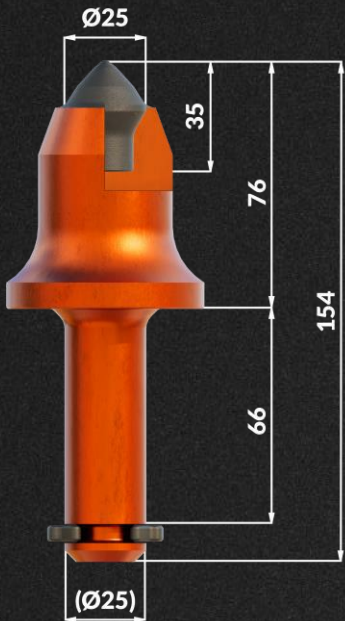
DX-T64



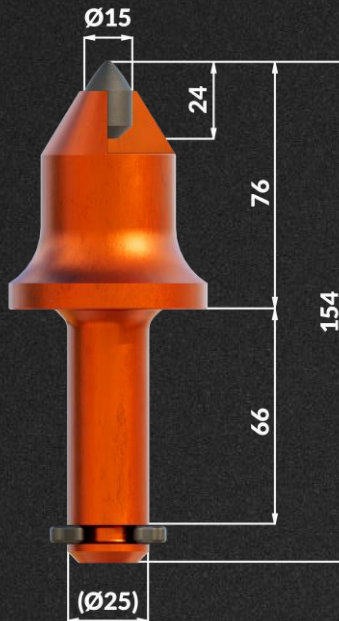
DX-T4



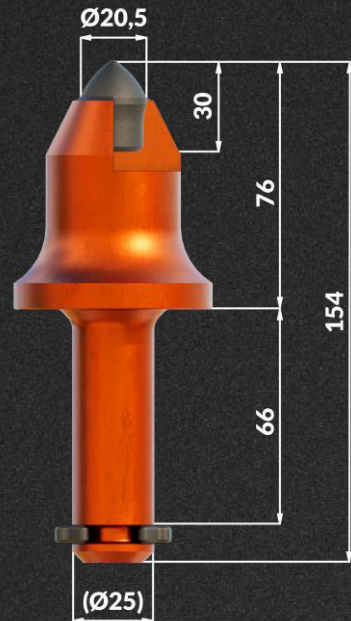
DX-T5



DX-T65



DX-T66

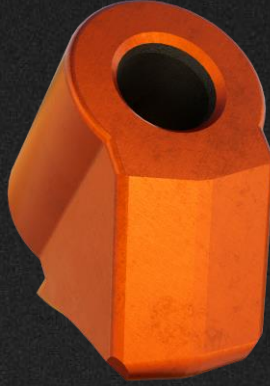


DX-T67

25MM SHANK SYSTEMS



DX-TB-C30



DX-TB-DV25KS



DX-TB-TH3-100



DX-CLIP REMOVER



WHEEL AND CHAINSAW TRENCHERS

30MM SHANK SYSTEMS

DaltronX 30mm trenching picks are engineered for a wide range of tasks, including trenching, tunnelling, road construction, and general demolition. These picks deliver exceptional accuracy in excavation, creating finely graded material suitable for backfilling and surface preparation.

Their precise cutting ability helps minimise wear and reduces the risk of damage to equipment, while also ensuring quieter operation and lower vibrations—critical for noise-sensitive areas. With these features, our 30mm picks boost productivity and extend equipment life, providing a cost-effective solution for even the most challenging environments.

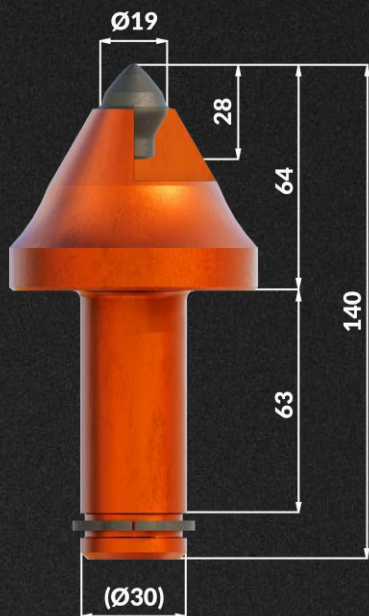
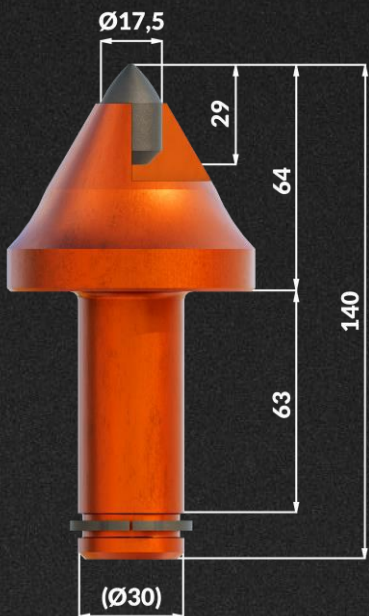


30MM SHANK



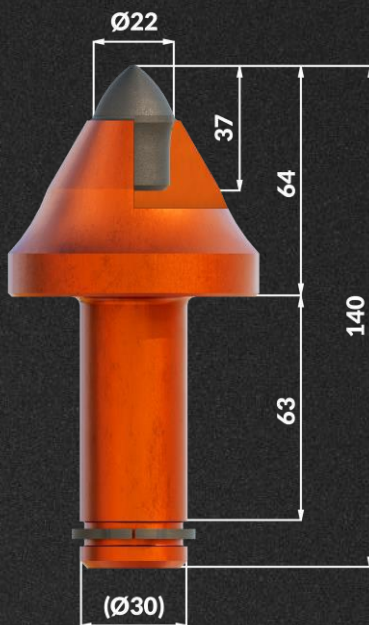
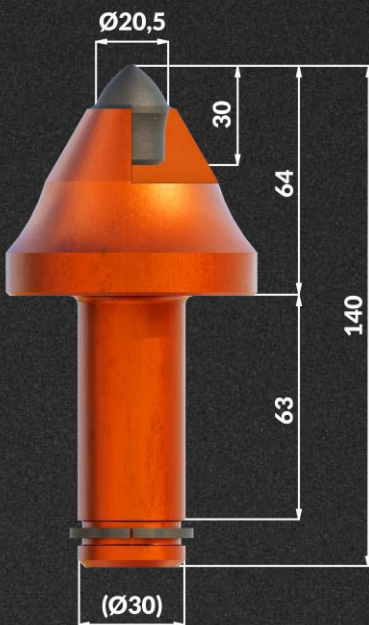
CARBIDE CUTTING PICKS

30MM SHANK SYSTEMS



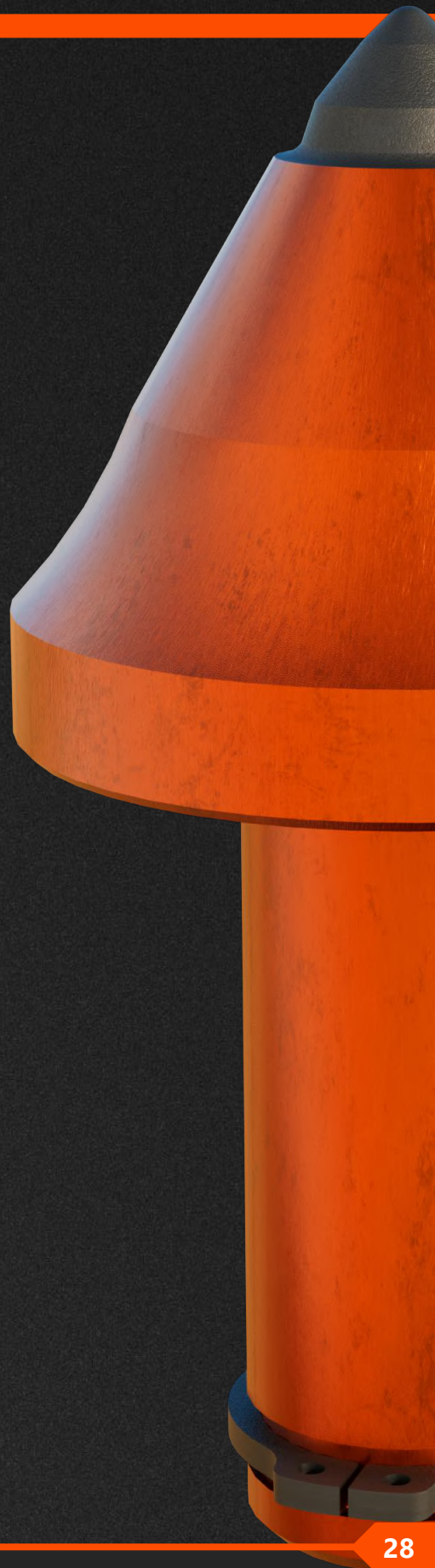
DX-T68

DX-T69



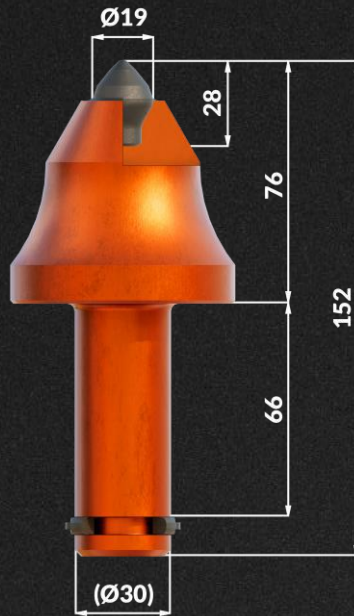
DX-T70

DX-T71

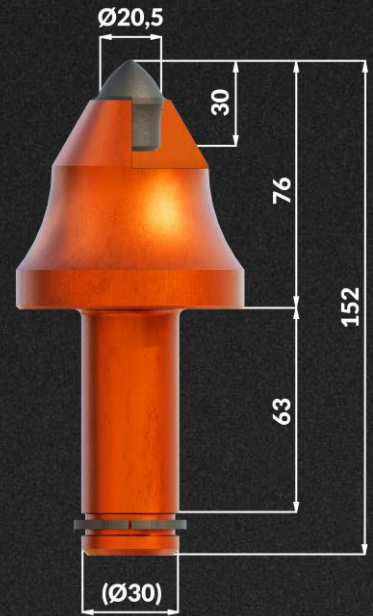


CARBIDE CUTTING PICKS

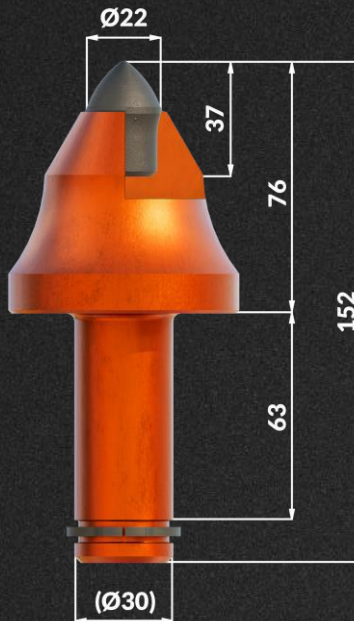
30MM SHANK SYSTEMS



DX-T72

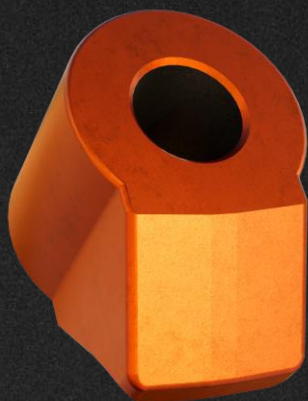


DX-T73



DX-T74

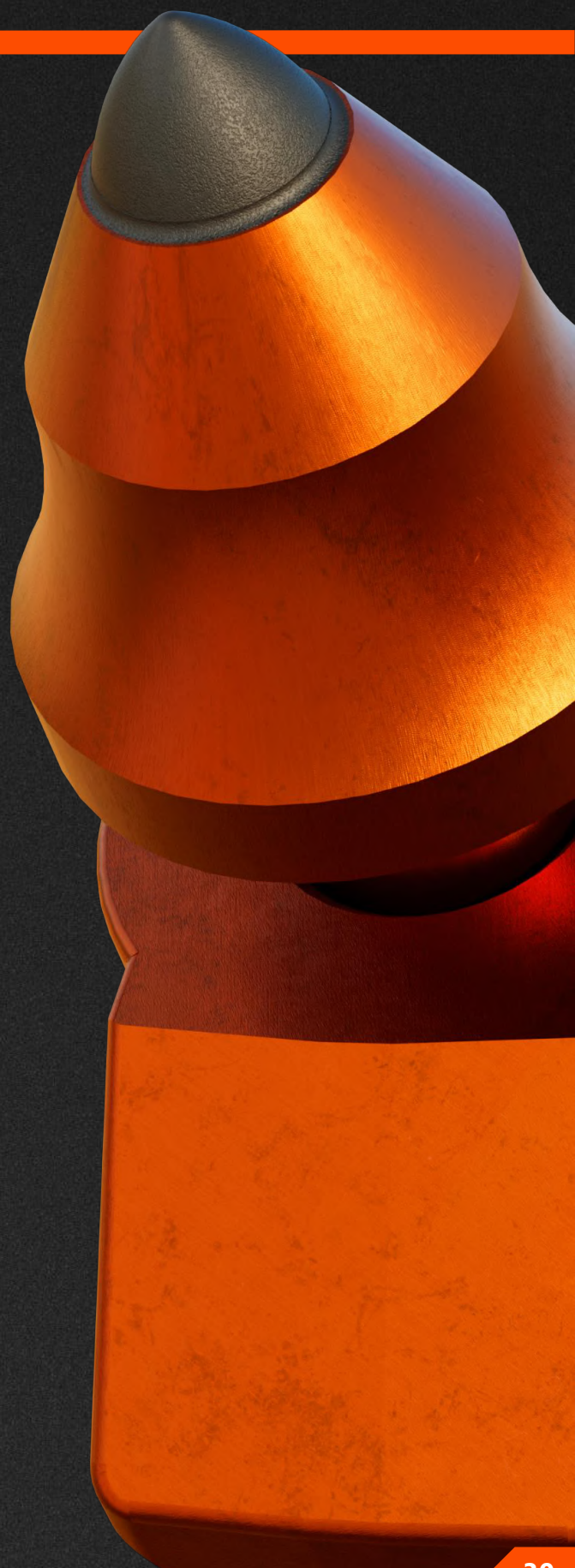
30MM SHANK SYSTEMS



DX-TB-BBS30



DX-CLIP REMOVER



CHAIN TRENCHER, BUCKET WHEEL AND SURFACE MINERS 38/30MM SHANK SYSTEMS

DaltronX 38/30mm step shank picks are designed for high performance in trenching, surface mining, and bucket wheel applications.

These picks offer flexible cutting for both narrow and wide trenches, ideal for fibre lines, drainage, and pipelines. Perfect for medium to light cutting conditions, they provide easy spoil management and precise depth control. For rock excavation, our picks deliver enhanced safety, efficiency, and lower environmental impact compared to traditional methods.

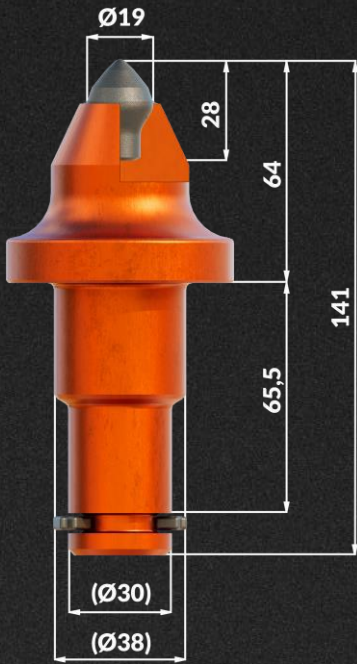


38/30MM SHANK

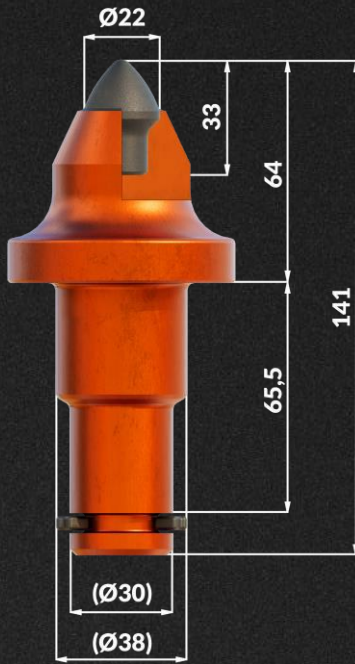


CARBIDE CUTTING PICKS

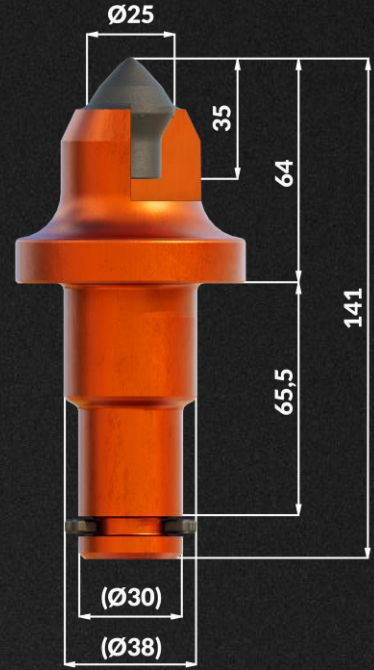
38/30MM SHANK SYSTEMS



DX-T13



DX-T14



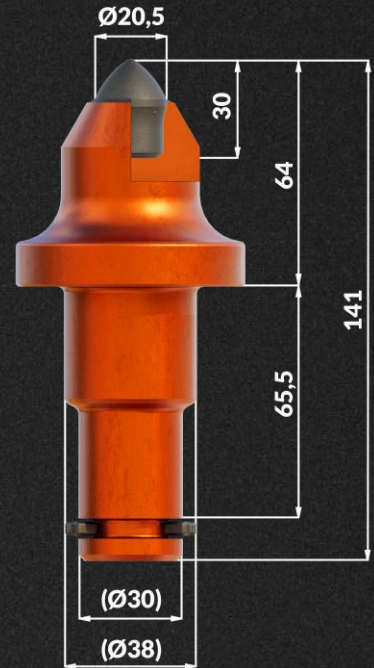
DX-T76



DX-T77



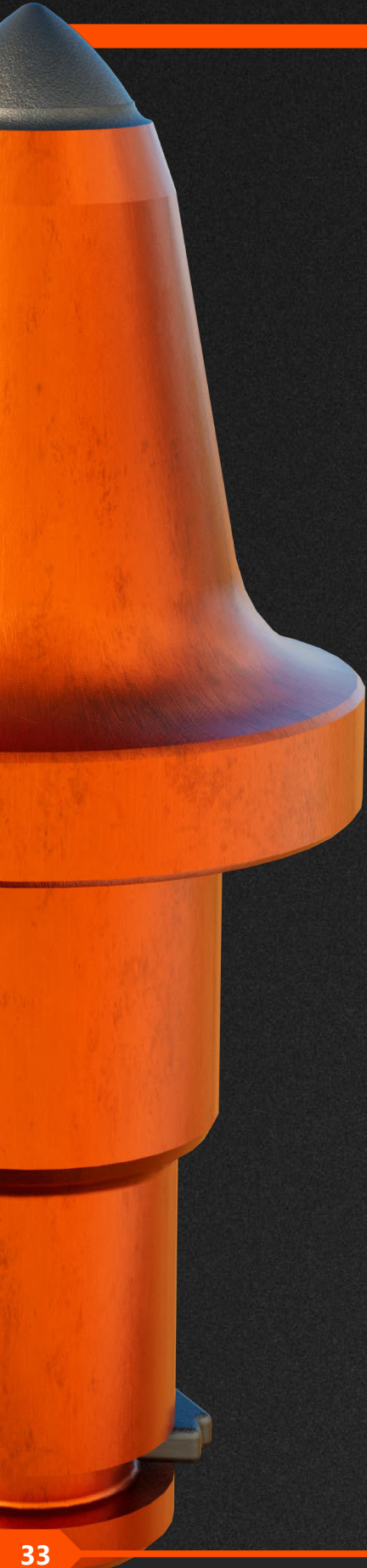
DX-T78



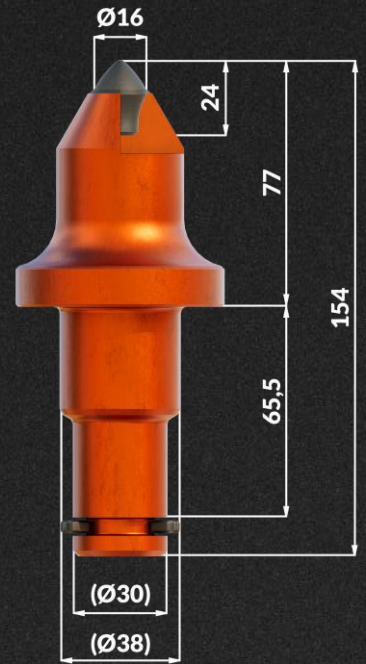
DX-T79

CARBIDE CUTTING PICKS

38/30MM SHANK SYSTEMS



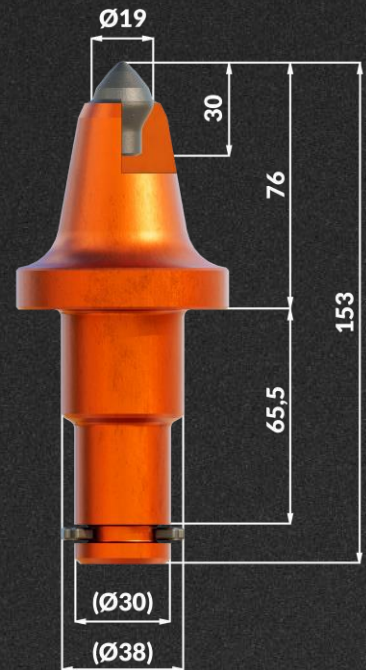
DX-T80



DX-T81



DX-T0



DX-T1

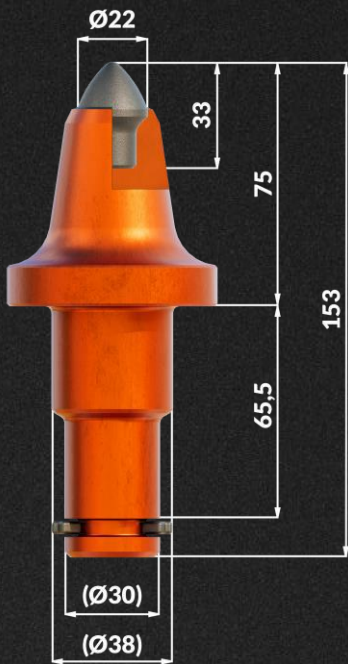


CARBIDE CUTTING PICKS

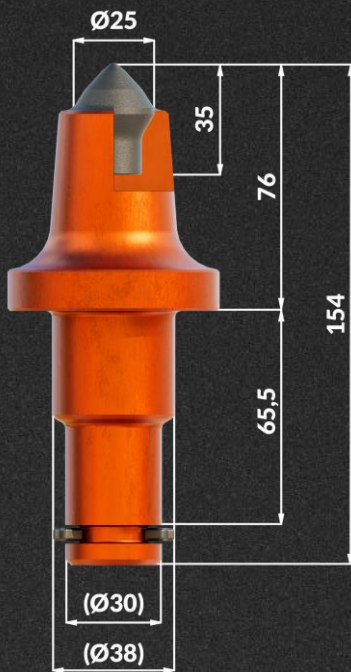
38/30MM SHANK SYSTEMS



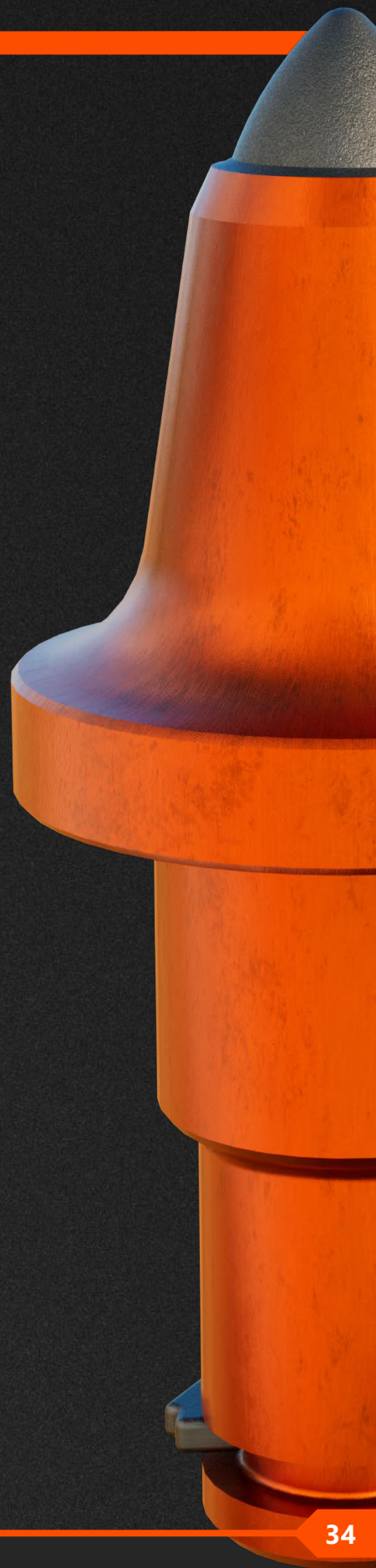
DX-T16



DX-T2



DX-T3



CARBIDE CUTTING PICKS

38/30MM SHANK SYSTEMS



DX-T82



DX-T83



DX-T84



DX-T85



DX-T86



DX-T87

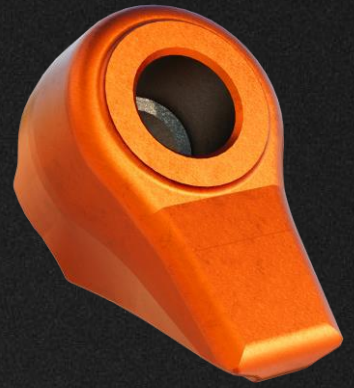
38/30MM SHANK SYSTEMS



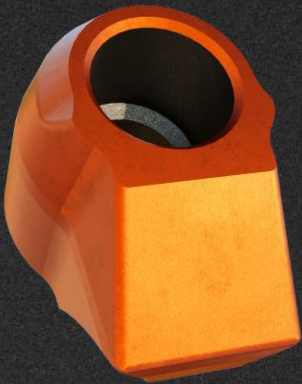
DX-TB-TH3



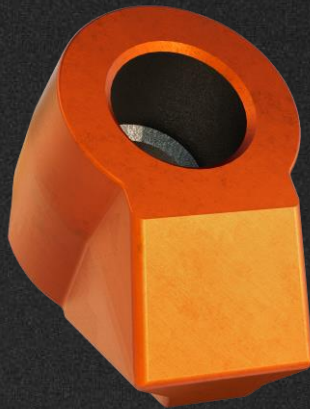
DX-TB-B43H



DX-TB-MTB1



DX-TB-U43H



DX-TB-TH3S



DX-CLIP REMOVER

SURFACE MINERS

42MM SHANK SYSTEMS

DaltronX 42mm picks are engineered for maximum efficiency in surface mining and terrain levelling applications. Designed to deliver precise cutting performance, our picks reduce the need for secondary processes like blasting, helping you save time and resources while maintaining control over the project.

Built for durability and optimised for harsh conditions, our 42mm picks are the ideal solution for high-demand applications, ensuring consistent productivity and longer tool life in even the most challenging environments.

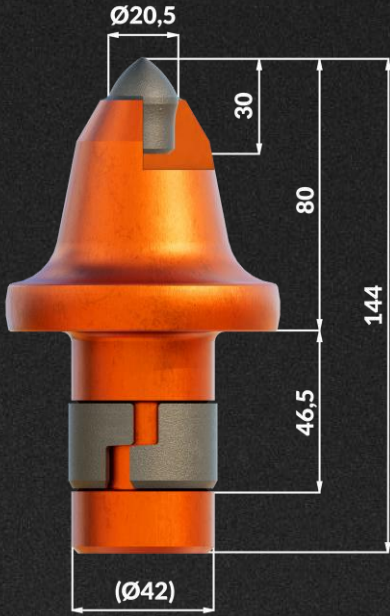


42MM SHANK

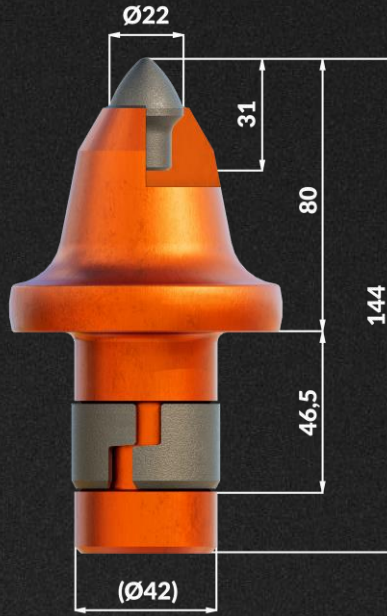


CARBIDE CUTTING PICKS

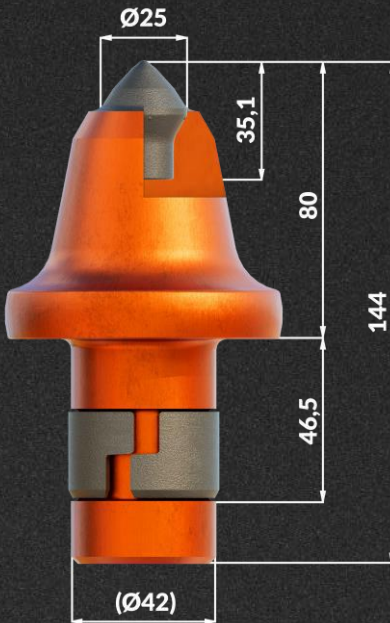
42MM SHANK SYSTEMS



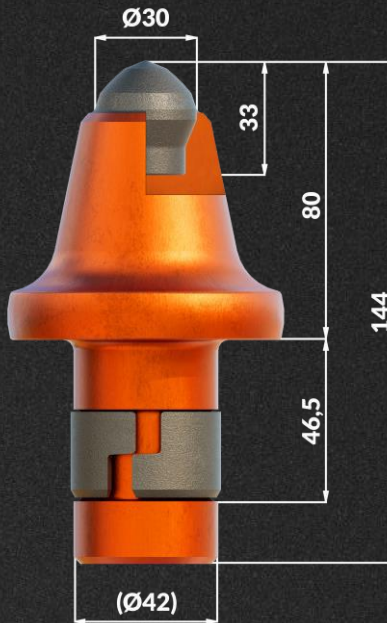
DX-T88



DX-T89



DX-T90



DX-T91



DALTRONX

BREAKING NEW GROUND

SOUTH AFRICA - HEADQUARTERS

Reception: +27 10 591 0208

Dries Strauss: +27 66 304 4799

Kabelo Mashingo: +27 71 891 6948

sales@daltronx.com

52 Paul Smit Road, Boksburg, South Africa

MENA REGION

John Metzger: +971 50 653 6480

John Metzger KSA: +966 54 541 9239

Mandy Metzger: +971 50 450 2486

sales.ksa@daltronx.com

P.O. Box 9349, Dubai Trade Centre Area,

Sheikh Zayed Road, Dubai, U.A.E.

AUSTRALASIA REGION

David Bosch: +61 430 598 585

Jonathan Bosch: +61 412 272 832

sales.au@daltronx.com

24 Geoffrey Avenue, Queensland, Australia