

Door Hardware



**SASH + DOOR
HARDWARE**

What's inside

- Front Entrance Door Locks
- French Door Locks
- Stable Door Locks
- Keeps, Flush Bolts & Accessories
- Cylinders



FUHR STABLE DOOR BOLTS

MULTI-POINT LOCKING SYSTEM FOR STABLE DOORS



Featured product

on pages 13



SIGN UP FOR A **TRADE LOGIN** ONLINE TO VIEW TRADE PRICES AND ADDED BENEFITS



www.sdhardware.co.uk

 **REVIEWS.io**



4.8 / 5.0

We're rated excellent on **reviews.io**

TRADE DISCOUNTS.

Don't forget you are receiving a **TRADE ONLY** discount on all products. You can send your customers to our website to choose products knowing they won't see your discounted prices. This is particularly helpful for window and door furniture and can earn you some extra income in marking up to our online retail prices.



CONTENTS.

| | |
|----------------------------------|---------|
| Front Entrance Door Locks | 06 - 13 |
| French Door Locks | 14 - 21 |
| Keeps, Flush Bolts & Accessories | 22 - 24 |
| Cylinders | 25 - 27 |

Featured product

Pivot Door Hinge on page 11

**VIPER MULTIPOINT
DOOR LOCK**
FOR FRONT + FRENCH DOORS

ERA

Featured product

Viper Multi-point Door Lock on pages 17-20

Secure payments powered by

worldpay

MOST MAJOR CREDIT CARDS ACCEPTED



FREE UK CARRIAGE ON ORDERS OVER £120
(EXCLUDING SASH WEIGHTS)

CARRIAGE CHARGES MAY ALSO APPLY TO DIRECT DELIVERIES

SDH reserve the right to change the design and specification of any item herein without notice. All measurements are in millimetres unless otherwise stated. All prices are subject to VAT. E&OE.

Anatomy of a Timber Door

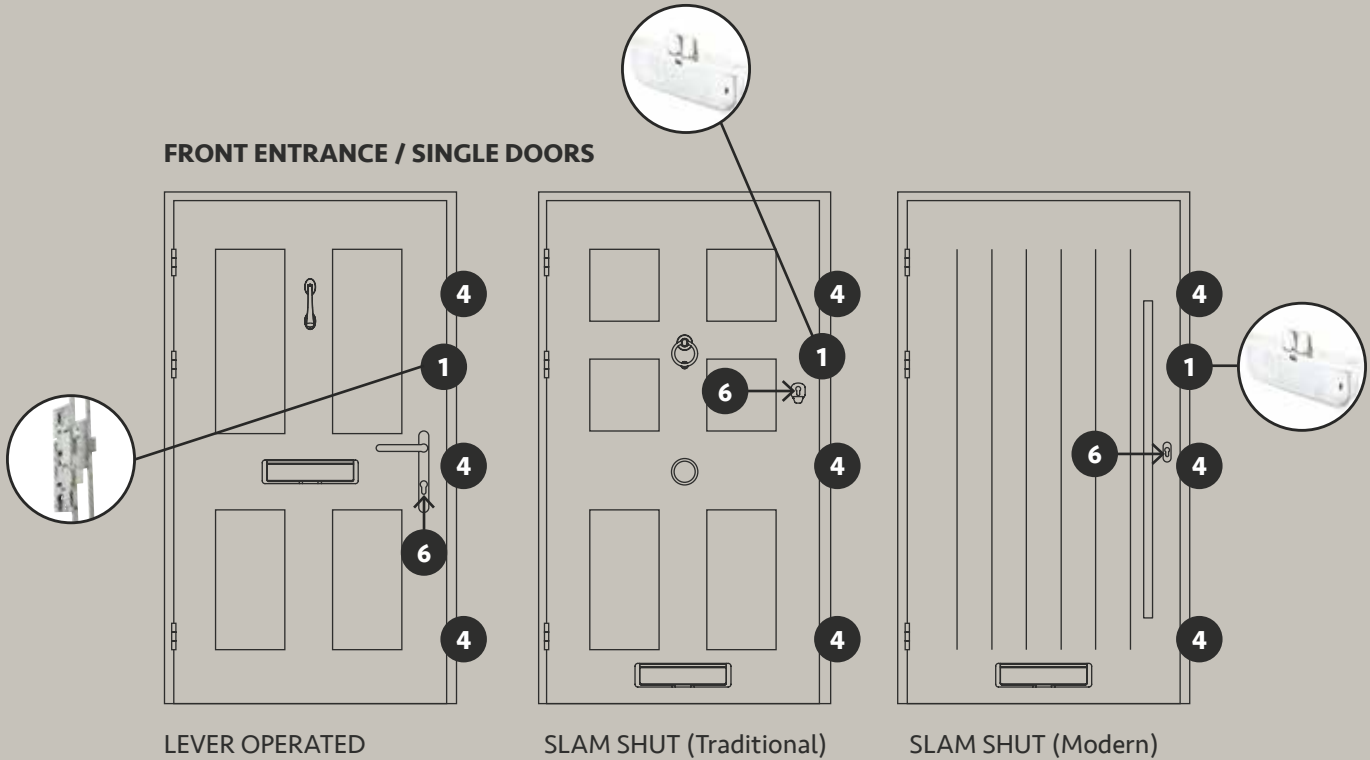
and what **SDH** can supply

- 1. Front Entrance Door Locks
- 2. Stable Door Locks

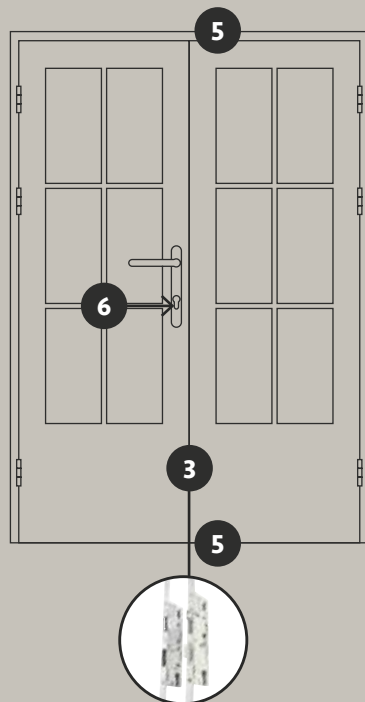
- 3. French Door Locks
- 4. Door Keeps

- 5. Shoot Bolts
- 6. Cylinders

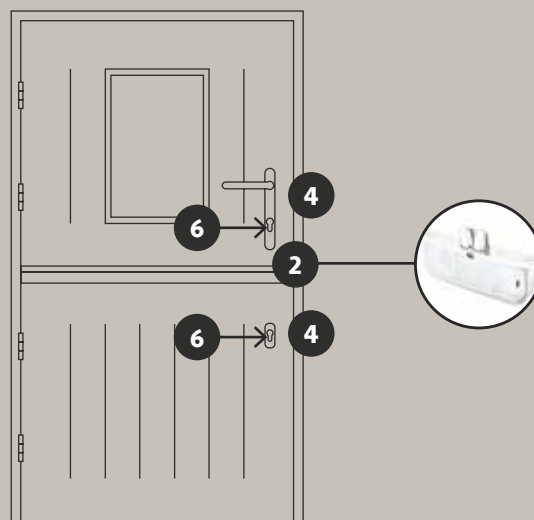
FRONT ENTRANCE / SINGLE DOORS



FRENCH DOORS



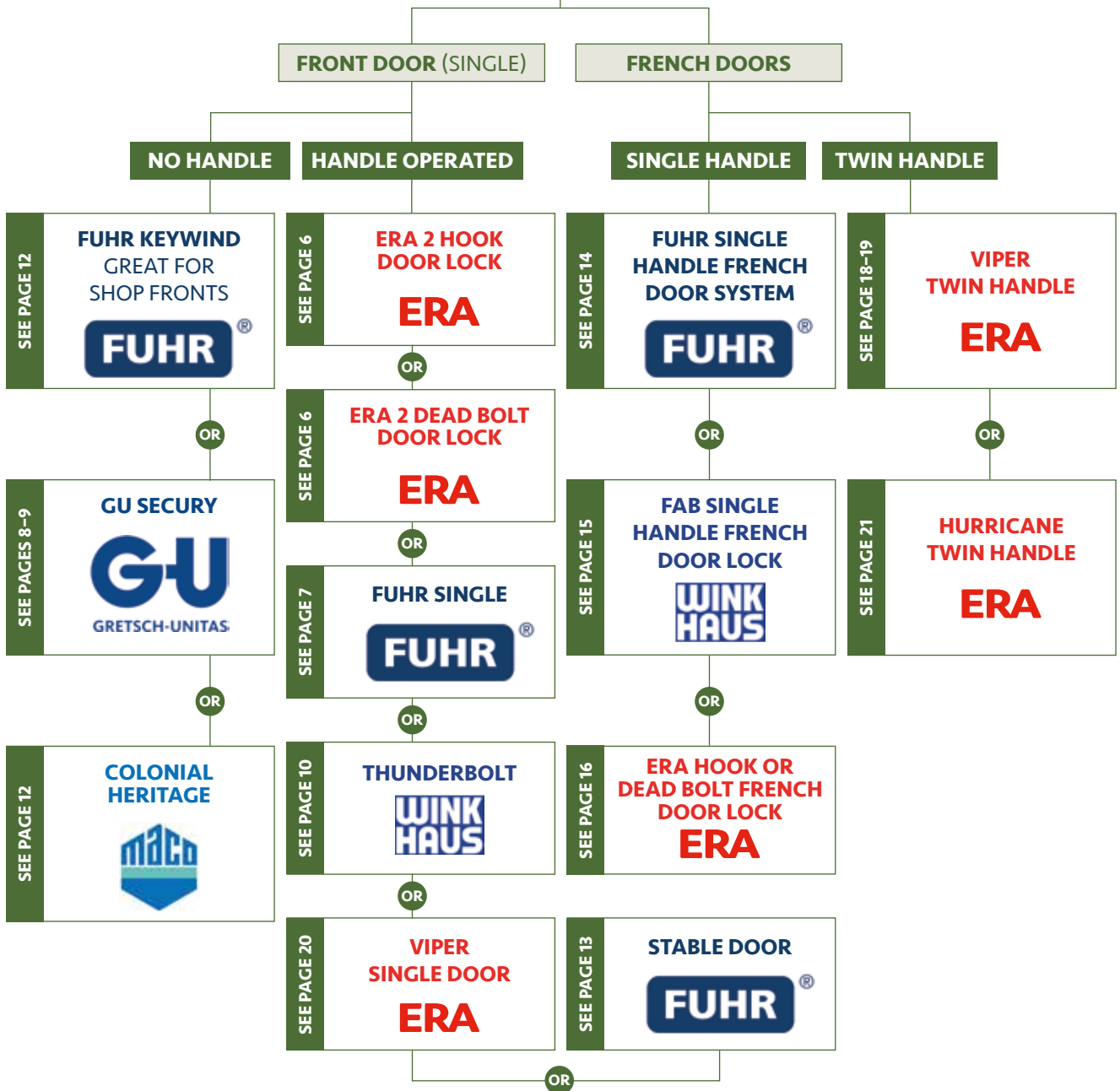
STABLE DOORS



We have all bases covered at **SDH** when you're looking for the products needed to manufacture timber doors.

Please get in touch and we'll be happy to help with your next door project.

WHICH TYPE OF DOOR?

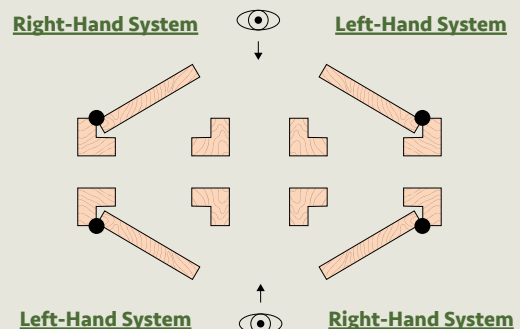


HOW TO HAND YOUR DOOR

The method SDH use to determine the handing of keeps for French and single doors is quite simple.

You look at the hinge knuckle of the single or master (on French doors) and what ever side it is hinged on is the hand you require.

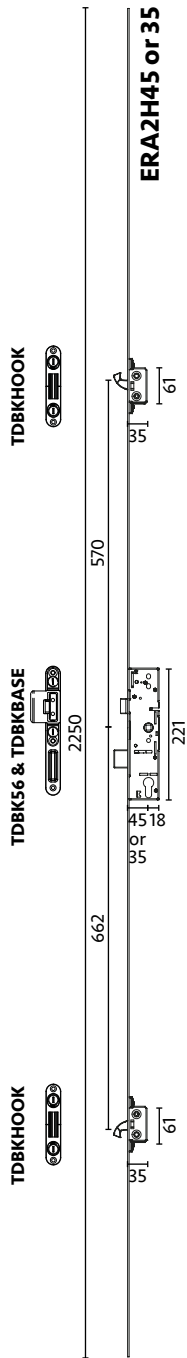
The diagram opposite can also be interpreted as a French door, one being the slave, the Master is the one you would hand from.



Era 2 Hook Bolt Front Entrance Door Lock

This very popular Timber multipoint door lock offers a very high level of security with easily adjustable keeps.

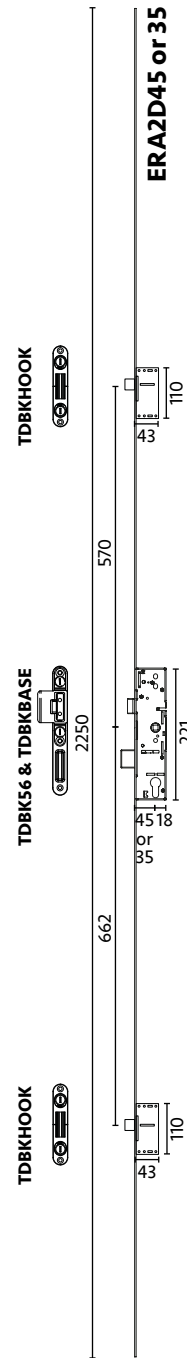
- Stainless Steel Faceplate 16mm
- Designed to meet and achieve PAS 24 in Timber
- 2 High security Tapered Hook Bolts
- 35 or 45mm backset with sprung gearbox
- Bi-Directional gear box
- Split spindle built-in
- Snib latch hold back
- Non-handed
- Easy screwdriver adjustable keeps that stay adjusted



Era 2 Dead Bolt Front Entrance Door Lock

This very popular Timber multipoint door lock offers a very high level of security with easily adjustable keeps.

- Stainless Steel Faceplate 16mm
- Designed to meet and achieve PAS 24 in Timber
- 2 High security tapered dead bolts
- 35 or 45mm backset with sprung gearbox
- Bi-Directional gear box
- Split spindle built-in
- Snib latch hold back
- Non-handed
- Easy screwdriver adjustable keeps that stay adjusted



LOCK COMPONENTS

| CODE | DESCRIPTION | PRICE |
|--|--|----------------------|
| ERA2H45 | ERA Timber Door Bolt 2 Hook 45mm BS 16mm Stainless Steel F/P | £51.40 |
| TDBKBASE | Timber Door Keep Latch Base | £3.14 |
| TDBK56 | Timber Door Latch Strike 56mm | £3.15 |
| TDBKHOOK | Timber Door Hook Bolt Keep x2 | £4.78 |
| ERA2-HBFD FULL FRONT DOOR KIT PRICE | | £67.25 ex VAT |

PLEASE REFER TO PAGE 22 FOR KEEPS

SCAN TO VIEW KITS ONLINE



LOCK COMPONENTS

| CODE | DESCRIPTION | PRICE |
|--|--|----------------------|
| ERA2D45 | ERA Timber Door Bolt 2 Dead 45mm BS 16mm Stainless Steel F/P | £51.40 |
| TDBKBASE | Timber Door Keep Latch Base | £3.14 |
| TDBK56 | Timber Door Latch Strike 56mm | £3.15 |
| TDBKHOOK | Timber Door Dead Bolt Keep x2 | £4.78 |
| ERA2-DBFD FULL FRONT DOOR KIT PRICE | | £67.25 ex VAT |

PLEASE REFER TO PAGE 22 FOR KEEPS

SCAN TO VIEW KITS ONLINE



Fuhr Front Entrance Door Solution

This Fuhr front entrance door lock is German engineering at its best. Fuhr is one of the leading door lock manufacturers in the world. This lever operated front entrance door lock offers a competitive, highly effective, smooth and secure solution to your front entrance door.

- Soft latch
- SKG 2 star rated
- Highly engineered keeps
- Fully adjustable keeps with heavy gauge castings and cross grain fixings
- Independent latch
- Tapered large hooks
- 20mm faceplate
- 45mm backset or 35mm backset
- Fully flush keeps



FORGOTTEN SOMETHING?

If you're purchasing one of these door locks, you'll also need the following. If you're not sure what you want, just ask and we can advise on popular products to use in conjunction with our door locks.

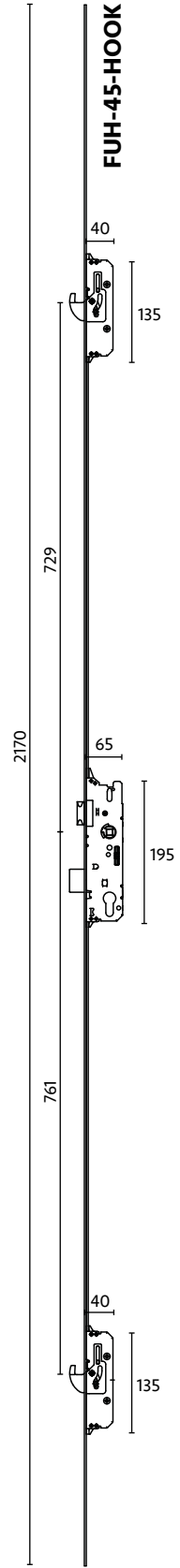


**HINGES
+
HANDLE
+
CYLINDER
+
THRESHOLD**

**FUH-HOOK-TOP
FUH-HOOK-BASE**

**FUH-LATCH-56 or 44
FUH-DEAD
FUH-BASE**

**FUH-HOOK-TOP
FUH-HOOK-BASE**



LOCK COMPONENTS

| CODE | DESCRIPTION | PRICE |
|---|---------------------------------|-------------------------|
| FUH-45-HOOK | 856 2 Hook 45mm Door Lock | £73.44 |
| FUH-BASE | Centre Latch Base | £2.28 |
| FUH-DEAD | Dead Bolt Piece | £2.28 |
| FUH-LATCH-58, 56 or 44 | Adjustable latch 58, 56 or 44mm | £3.48 |
| FUH-HOOK-BASE | Hook Base x 2 | £2.44 |
| FUH-HOOK-TOP | Hook Top Adjustable Plate x 2 | £5.88 |
| FUH-FED-45 FULL FRONT DOOR KIT PRICE | | £98.12 ex VAT |

PLEASE REFER TO
PAGE 22 FOR KEEPS

SCAN TO VIEW
KITS ONLINE



**10 YEAR MECHANICAL
GUARANTEE**

GU Secury Slam Shut Door Lock for Modern or Classic style doors



The GU Secury range of slam shut front entrance door locks are a high-security and high-performance product. German manufactured with totally flush adjustable keeps.

- PAS24 tested and used by some of the leading UK Joineries
- 2 Options



MODERN



LEFT HAND SHOWN

The 1020 option with 2 auto lock latches will help you achieve a modern front entrance door appearance that will be secure (PAS24) and functional. Simply close the door and the top and bottom latches strike the keep and fully engage and become secure deadbolts. This product has a 20mm straight through faceplate.

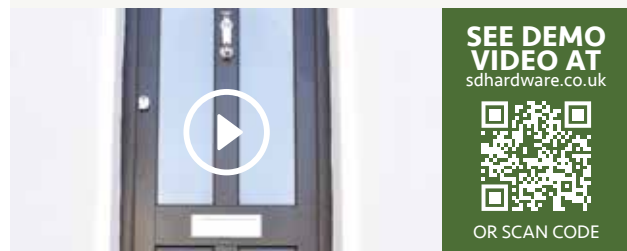


CLASSIC



LEFT HAND SHOWN

The Classic option with 3 auto lock latches will help you achieve a Classic front entrance door appearance that will be secure (PAS24) and functional. Simply close the door and the top and two bottom latches strike the keep and fully engage and become secure deadbolts. This product has a radius end 20mm faceplate.



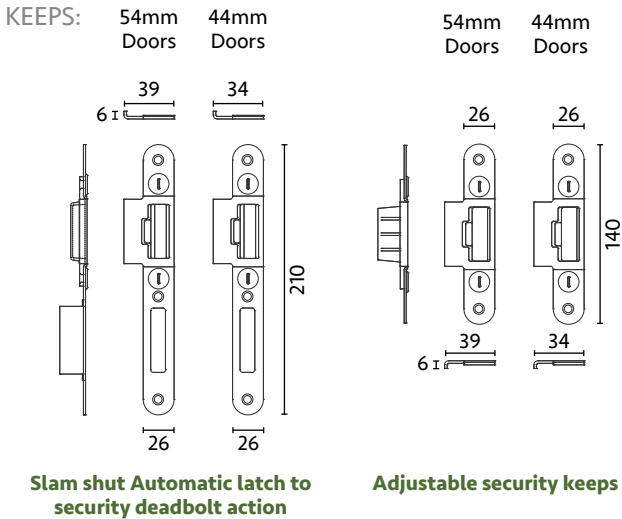
SEE DEMO VIDEO AT
sdhardware.co.uk



OR SCAN CODE

- Tested and achieved PAS24
- Fully adjustable keeps, centred for 54mm doors
- Lever handle can be fitted internally for swift exit
- Simple ¾ turn of cylinder to fully dead lock door opposed to key winding 720 degrees
- 45mm Backset (55mm Backset *Radius End* available, please ask for technical details or view online)
- 20mm Faceplate
- DXF and DWG CAD files available
- **55mm Backset is great for centering to handle on wider stiles**

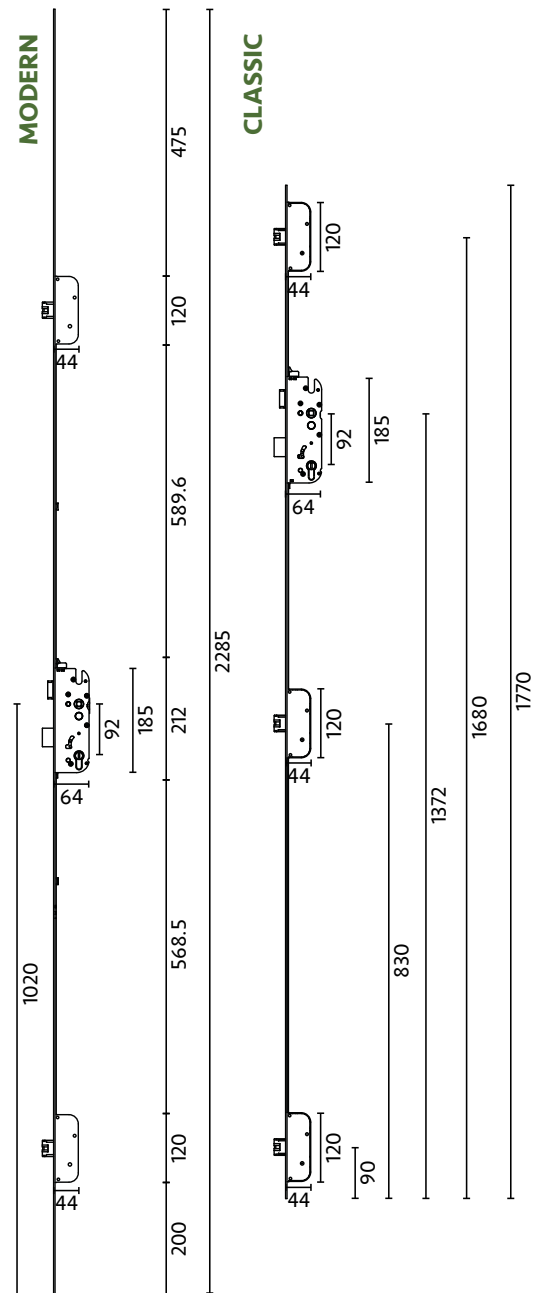
TECHNICAL DETAILS: LOCKS



DETAILED IMAGE ILLUSTRATES THE DOOR LATCH TO DEAD BOLT WHEN ENGAGED

FOR FULL ROUTING DETAILS & DIMENSIONS PLEASE CONTACT OUR SALES TEAM

Can be connected and used as an electronic key-less access product



Secury Auto Modern

| CODE | DESCRIPTION | PRICE |
|---|--|----------------|
| GUAS451050 | Secury Auto 1020 HH Twin Dead Bolt 45 BS | £107.22 |
| GUAS551050 | Secury Auto Twin Dead Bolt 55 BS (Radius End) | £132.48 |
| GU-CL | Secury Auto Centre Latch Strike 44mm or 54mm doors | £7.47 |
| GU-DBK | Secury Auto Dead Bolt keep X 2 Req | £4.71 |
| TOTAL KIT PRICE: 45mm Backset (GU-MODERN) | | £124.10 |
| TOTAL KIT PRICE: 55mm Backset (GU-MODERN-55) | | £149.37 |

Secury Classic (Radius End)

| CODE | DESCRIPTION | PRICE |
|-------------------------------------|--|----------------|
| GUSCRE | Secury Auto Classic Triple Dead Bolt 45 BS R/E | £129.93 |
| GU-CL | Secury Auto Centre Latch Strike 44mm or 54mm doors | £7.47 |
| GU-DBK | Secury Auto Dead Bolt keep X 3 Req | £4.71 |
| TOTAL KIT PRICE (GU-CLASSIC) | | £151.52 |

PLEASE STATE YOUR DOOR THICKNESS

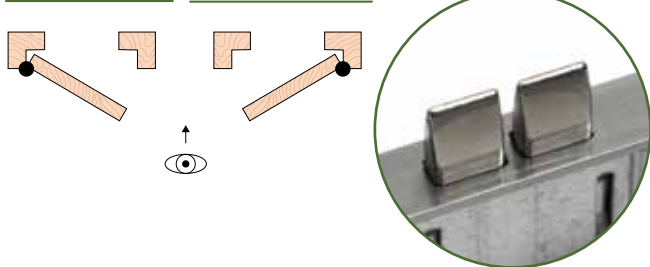
Thunderbolt Front Entrance Door Lock

5-Point Locking system with double deadbolts

The Winkhaus security locking system, ThunderBolt, unites high security with extremely easy installation. Timber Front doors will all close firmly and securely thanks to the angled shape of the twin deadbolts. The two twin deadbolts are bevelled on both sides; this means that when the twin deadbolt is inserted, the door is drawn into the frame. Solid and tight sealing, radius one piece keep or separate keeps. The latch strike is handed so please refer to handing details. The easy-to-fit Winkhaus Thunderbolt locking system has been specially designed with increased tolerances for Joineries.

- Twin Dead Bolts avoiding hook catching remedial issues
- Fully adjustable keeps
- Individual or one-piece keep
- 20mm faceplate and 45mm backset, 35mm available
- Tested to PAS24

LEFT-HAND SYSTEM **RIGHT-HAND SYSTEM**



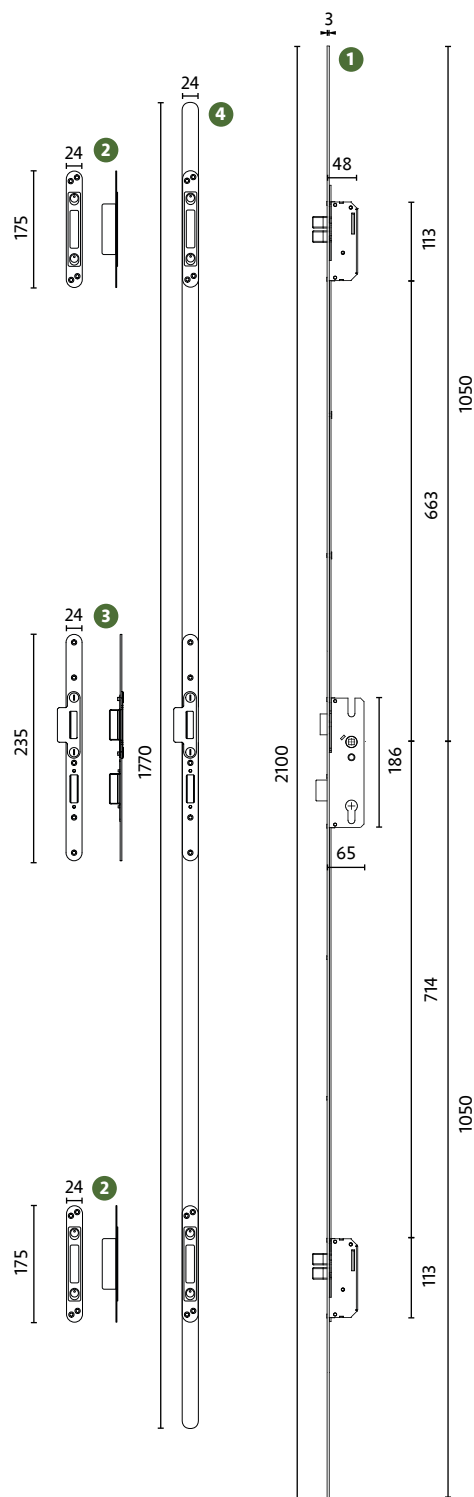
LOCK COMPONENTS

| REF | PART NO. | DESCRIPTION | QUANTITY | PRICE |
|--------------------|-------------|---|----------|--------|
| Master Lock | | | | |
| 1 | WK45TD1 | 45mm B/S Twin Deadbolt 20mm F/P Size 1 | 1 | £60.99 |
| Keeps | | | | |
| 2 | WK-TWIN-DK | Twin Dead Adjustable Keep | 2 | £5.24 |
| 3 | WK-CK-54-LH | Centre Latch Deadbolt Keep Left Hand 54mm | 1 | £10.10 |
| 3 | WK-CK-54-RH | Centre Latch Deadbolt Keep Right Hand 54mm | 1 | £10.10 |
| 4 | WK-OPK-RH | Radius One Piece Keep Right Hand 54mm | 1 | £30.72 |
| 4 | WK-OPK-LH | Radius One Piece Keep Left Hand 54mm | 1 | £30.72 |

| | |
|---------------------------------------|-------------------------|
| WK45TD-1K | £81.57 ex VAT |
| FULL KIT WITH INDIVIDUAL KEEPS | |
| WK45TD-OPK | £91.71 ex VAT |
| FULL KIT WITH ONE PIECE KEEP | |



TECHNICAL DETAILS



FORGOTTEN SOMETHING?

If you're purchasing one of these door locks, you'll also need the following.

**HINGES
+
HANDLE
+
CYLINDER
+
THRESHOLD**

TOUCHKEY

ERA

Live Smarter. A versatile door security solution.

ERA TouchKey is a highly secure versatile key-less entry and exit solution. It combines traditional mechanical door hardware with world-renowned smarter technology, offering a new way to access a home without needing a key.

A complete security solution that includes the auto fire multi-point lock, smarter handle and anti-bump cylinder. With built-in security features across the whole system to reduce the risk of forced entry, the mechanical hardware and latest smarter technology work seamlessly together.

- Key-less access multi-point lock
- For up to 56mm doors
- Future proofed for emerging technologies
- Battery operated: No main connection required eliminating the need for expensive specialized access control engineers
- Includes handle, 3 Star Cylinder and Lock Motor



PLEASE ASK FOR FULL TECHNICAL DETAILS OR VIEW ONLINE

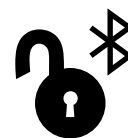
FULL KIT PRICE
£466 + VAT



ADVANCED FINGERPRINT TECHNOLOGY



SMART HOME APP



BLUETOOTH



VOICE UNLOCK*
(*iOS only)

Dormakaba Pivot Door Hinge

Top Hinge

Comprising of a frame portion with adjustable pin for deep profiles up to max. 16 mm, and a door portion with needle bearing. For deeper profiles, the top centre assembly can be supplied with pins extended by 10 mm.

Bottom Hinge

Drop forged steel, zinc-plated for door weights up to 300kg.

Optional cover plate available

TOP HINGE



BOTTOM HINGE



1. Top Hinge

£147.76
ex VAT

2. Bottom Strap

£31.66
ex VAT

3. Floor Pivot Bearing

£64.70
ex VAT



dormakaba

Fuhr 2 Pin Key Wind Lock

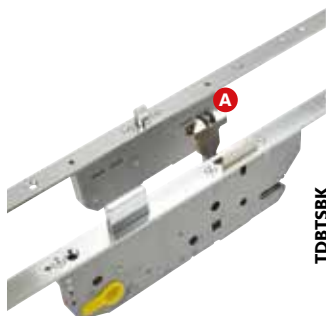
This non-handle option for bifold doors overcomes a long-standing problem of not being able to stack Bifold doors square. Also a great option for shop fronts with heavy traffic.

This high security 2 pin door lock will allow the door to be dressed with just an escutcheon and a flush pull eliminating the need for a handle.

The rollerball catch is a precision product with adjustable depth. It is easy to fit where the existing latch sits in the main gearbox. All keeps are adjustable and totally flush and sized to suit 44, 56 and 58mm doors.

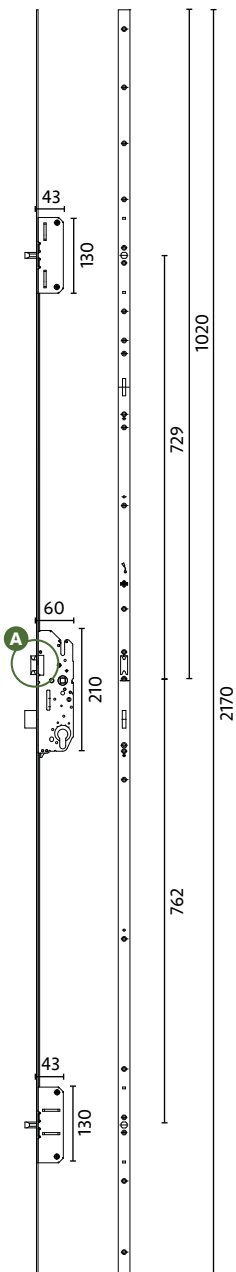
For any further technical advice please call the sales team.

- No handle key turn lock
- Adjustable roller latch
- Fully adjustable non-handed flush keeps (page 22)
- Stack bifolds evenly
- Access from inside or outside
- 45mm Backset
- 20mm Faceplate



FUH-LATCH-56, 44 or 58
FUH-DEAD
FUH-BASE

TDBTSBK



A FUH-RL Adjustable Roller Latch* £7.59
ex VAT
*purchase separately

LOCK COMPONENTS

| CODE | DESCRIPTION | PRICE |
|--------------------|-------------------------------------|---------|
| FUH-KW-45 | 2 Pin Key Wind Lock 45mm B/S | £111.53 |
| FUH-BASE | Centre Latch Base | £2.28 |
| FUH-DEAD | Dead Bolt Piece | £2.28 |
| FUH-LATCH-58/56/44 | Adjustable latch 58, 56 or 44mm | £3.48 |
| TDBTSBK | Twin Shoot Bolt Adjustable Keep x 2 | £5.84 |

FUH-KW45
FULL FRONT DOOR KIT PRICE £131.83
ex VAT

PLEASE REFER TO **PAGE 22** FOR KEEPS



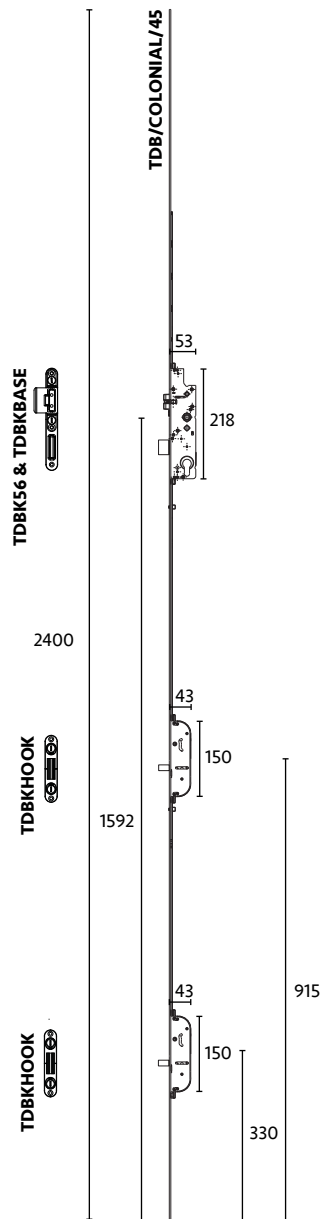
Colonial Heritage Lock

The Colonial Door Lock was brought to the market to give more consideration to the aesthetic design of the door, which removes the requirement for a lift lever handle and replacing it with a key wind lock via a cylinder at 15mm. This in turn gives more of a traditional appearance with increased security.

- Elegant appearance
- 45mm backset, 16mm faceplate (35mm available)
- Manual slide snib for latch retention
- 2 high security pins
- Soft latch



TECHNICAL DETAILS



TDBK56 & TDBKBASE

TDBKHOOK

TDBKHOOK

TDB/COLONIAL/45

COLONIAL LOCK KIT PRICE £165.68
COLONIAL-45
ex VAT

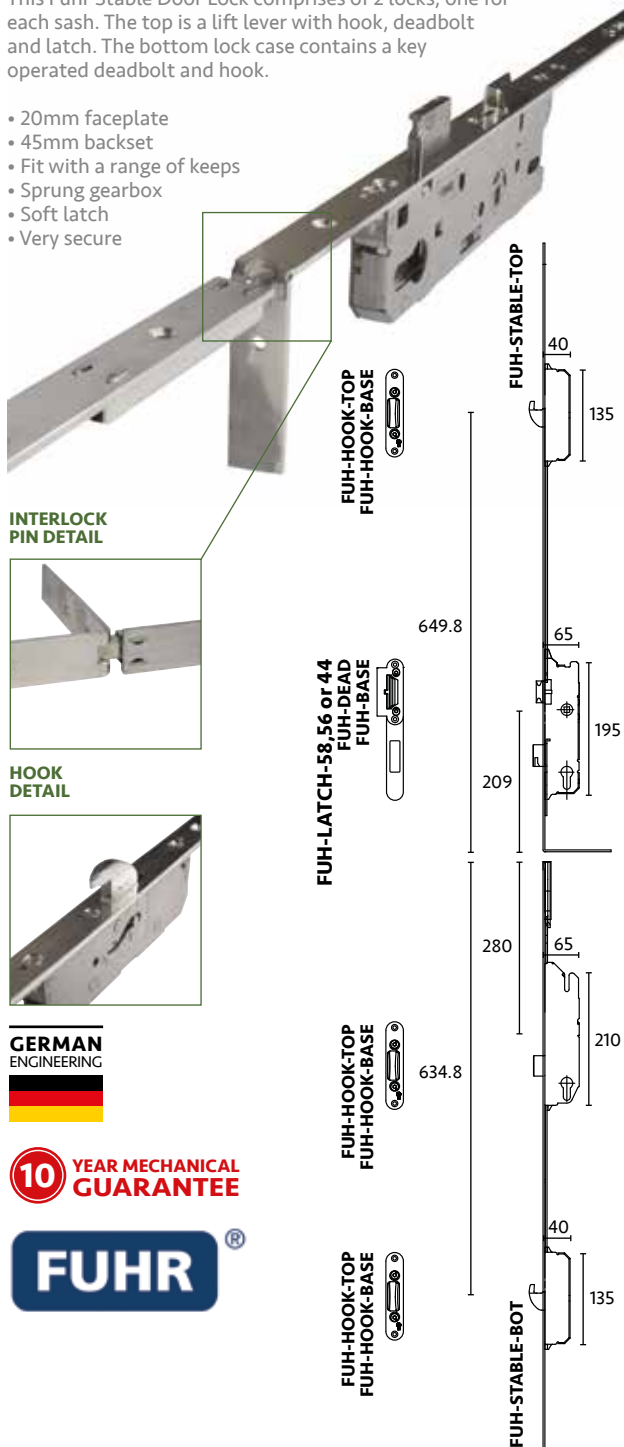
PLEASE REFER TO **PAGE 22** FOR KEEPS



Stable Door Bolt

This Fuhr Stable Door Lock comprises of 2 locks, one for each sash. The top is a lift lever with hook, deadbolt and latch. The bottom lock case contains a key operated deadbolt and hook.

- 20mm faceplate
- 45mm backset
- Fit with a range of keeps
- Sprung gearbox
- Soft latch
- Very secure



10 YEAR MECHANICAL GUARANTEE



LOCK COMPONENTS

| CODE | DESCRIPTION | PRICE |
|--|---------------------------------|--------------------------|
| FUH-STABLE-TOP | Stable Door Top Lock | £57.29 |
| FUH-STABLE-BOT | Stable Door Bottom Lock | £82.60 |
| FUH-BASE | Centre Latch Base | £2.28 |
| FUH-DEAD | Dead Bolt Piece | £2.28 |
| FUH-LATCH-58, 56 or 44 | Adjustable latch 58, 56 or 44mm | £3.48 |
| FUH-HOOK-BASE | Hook Base x 3 | £2.44 |
| FUH-HOOK-TOP | Hook Top Adjustable Plate x 3 | £5.88 |
| FUH-STABLE FULL STABLE DOOR KIT PRICE | | £172.87 ex VAT |



Joinery by: **JTP Joinery**





Joinery by
JTP | JOINERY



LATCH & LATCH STRIKE



HOOK BOLT, SLAVE AND SHOOTBOLT



Single Handle 841 French Door System

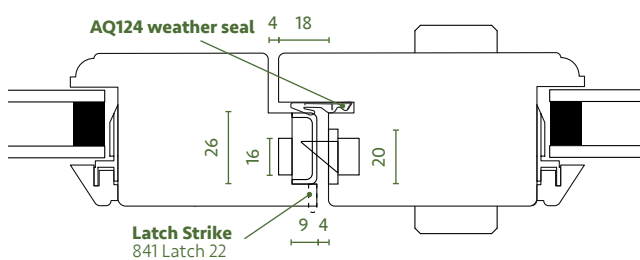
This market leading single handle French Door system is used by some of the leading joineries in the UK and has achieved PAS 24. A continuous slave bolt that is also a keep receiver for the master bolt makes this system easy to fit and highly secure.

- Adjustable on every locking point
- Concealed lever slave operation
- Fully pocketed keeps to hide router hole and protect against water ingress into timber
- Bevelled bottom shootbolt keep
- 35 & 45mm backset available
- 20mm faceplate
- Optional extra non-rebated latch strike ('B' shown below)



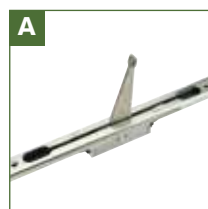
TALK TO US
ABOUT TOOLING
FROM WHITEHILL

SECTION DRAWING

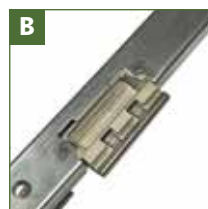


Please Note:
Section drawing is just an example and not a specification.

| | | |
|-------------|--|--|
| 1930-2230mm | 45mm Backset £173.85 ex VAT | 35mm Backset £184.96 ex VAT |
| 2230-2500mm | 45mm Backset £191.92 ex VAT | 35mm Backset £203.02 ex VAT |



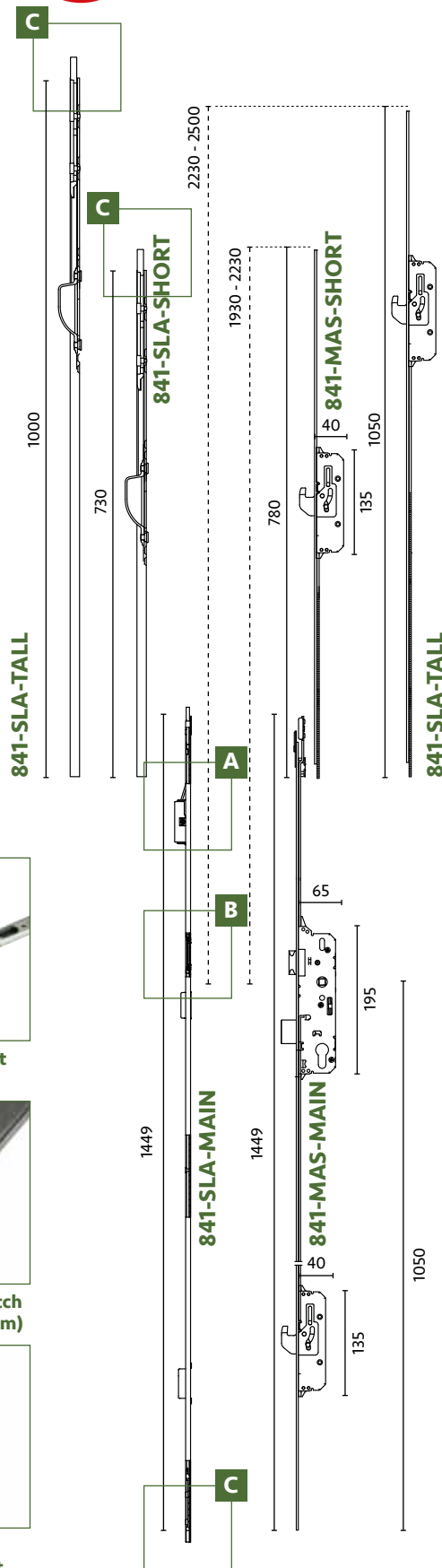
Slave Shootbolt Actuator



Non-Rebated Latch Strike (22 or 29mm)



Heavy Duty Cast Shootbolt



FAB Single Handle French Door Lock

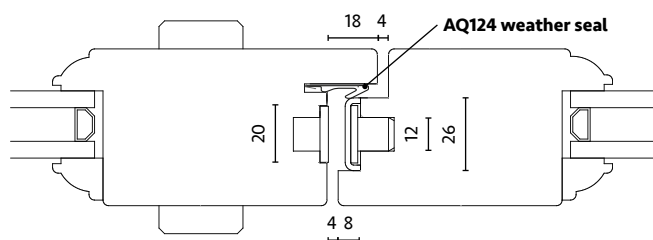
High security locking without the need for 2 handles, 2 cylinders or a dummy mullion.

The Slave lock is operated by a flush, integrated two-way lever. The FAB slave lock throws two heavy-duty 20mm shoot bolts into the head and cill. Combined with the renowned Thunderbolt multi-point lock on the master door with its two tapered deadbolts which penetrate the FAB slave lock which secures the two leaves together. The Slave lock is also a one-piece adjustable keep.

The Winkhaus FAB slave door lock range provides a high security locking option that is tested and approved.

- Twin Dead Bolts opposed to hooks avoiding catching issues
- Slave bolt U Rail measures 26mm by 5.5mm high
- 20mm faceplate and 45mm backset, 35 available
- Heavy Duty Adjustable SDK single thimble keeps for slave door lock
- Adjustable on ever locking point
- Handed system (Refer to handing details)

SECTION DRAWING



System can accommodate different sections than shown above. Please contact our sales team for any further advice.

Please Note: Section drawings are just an example and not a specification.

LOCK COMPONENTS

| REF | PART NO. | DESCRIPTION | QUANTITY |
|-----|----------|-------------|----------|
|-----|----------|-------------|----------|

Master Lock

| | | | |
|---|-------------|--|---|
| 1 | WK-FABM45-2 | 5 point Master Door Lock 45mm B/S 2100x20mm F/P Square End | 1 |
|---|-------------|--|---|

Slave Locks

| | | | |
|---|--------------|---|------|
| 2 | WKFAB-SLM-LH | Slave Flush Lock includes bottom shoot Left Hand | 1 or |
| 2 | WKFAB-SLM-RH | Slave Flush Lock includes bottom shoot Right Hand | 1 |

Shootbolts

| | | | |
|---|--------------|--|------|
| 3 | WK-FAB-SLS-2 | Slave Unit Shootbolt, 256mm, doors 1856-1996mm | 1 or |
| 3 | WK-FAB-SLS-3 | Slave Unit Shootbolt, 399mm, doors 1996-2139mm | 1 or |
| 3 | WK-FAB-SLS-4 | Slave Unit Shootbolt, 541mm, doors 2139-2281mm | 1 |

Shootbolt Keep

| | | | |
|---|-----------|----------------------------|---|
| 4 | SDH-SK-HD | 22mm Single Shootbolt Keep | 2 |
|---|-----------|----------------------------|---|

FULL KIT PRICE FOR 2.1m DOOR

£254.03
ex VAT

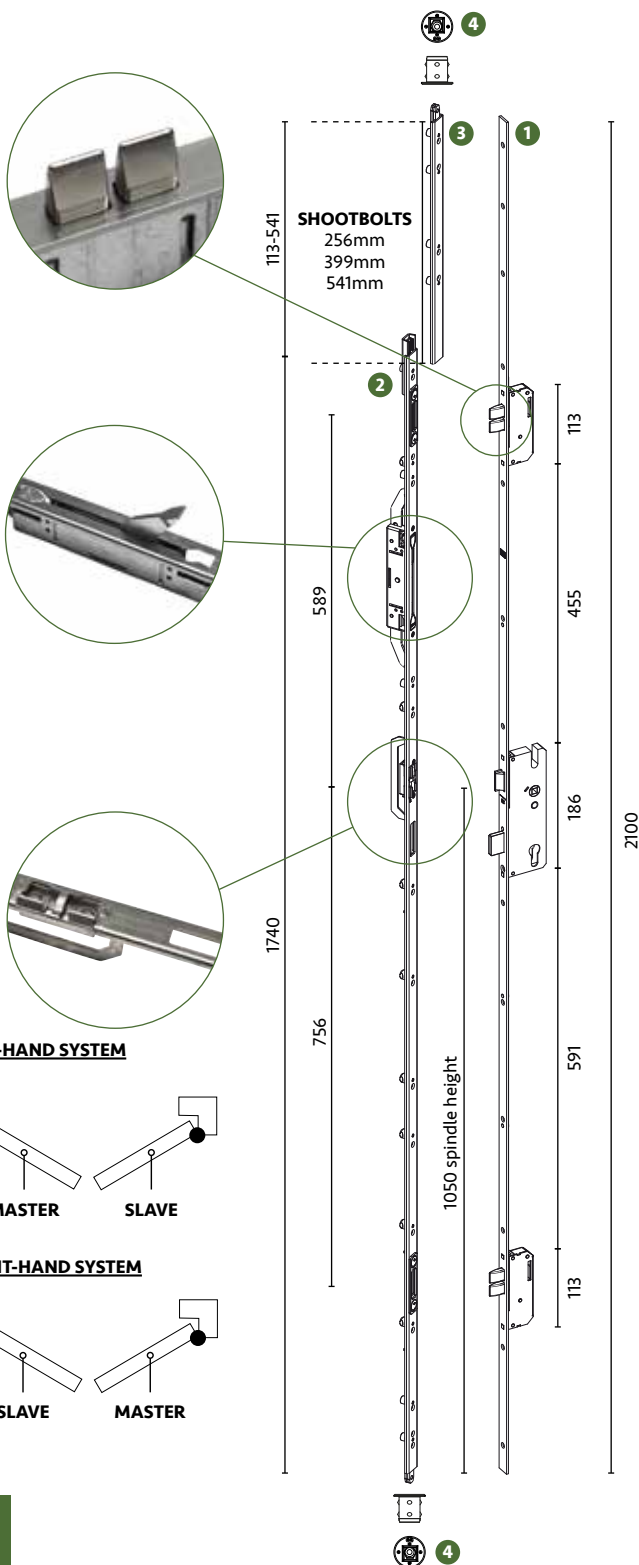


10 YEAR MECHANICAL GUARANTEE

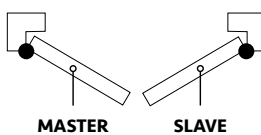
OTHER SIZES CAN BE ACHIEVED. PLEASE CALL SALES FOR MORE INFO.



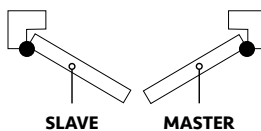
TECHNICAL DETAILS



LEFT-HAND SYSTEM



RIGHT-HAND SYSTEM



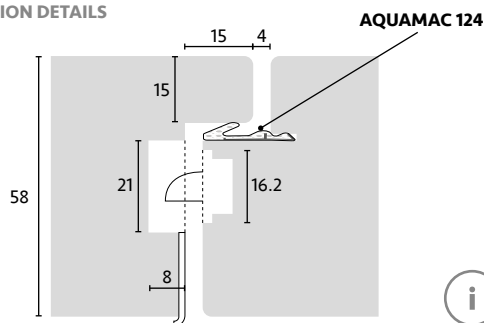


Era Single Handle French Door System (Hook or Dead Bolt)

This very popular Timber multipoint door lock offers a very high level of security with easily adjustable keeps.

- Versatile with single or twin handle options
- Stainless Steel faceplate 16mm
- Designed to meet and achieve PAS 24 in Timber
- 2 High security Tapered Hook Bolts
- 35 or 45mm backset with sprung gearbox
- Bi-Directional gear box
- Split spindle built in
- Snib latch hold back
- Non-handed
- Easy screwdriver adjustable keeps that stay adjusted
- Choice of finger bolts for slave
- Slave Bolt
- Espag available in 35 or 45 mm backset

SECTION DETAILS



Please Note: Section drawing is just an example and not a specification.

PLEASE REFER TO **PAGE 22** FOR KEEPS



LOCK COMPONENTS

| CODE | DESCRIPTION | PRICE |
|--------------------------|-------------------------------------|--------|
| ERA2H45/35 or ERA2D45/35 | Hook/Dead Lock 45 or 35mm Backset | £51.40 |
| TDBKBASE | Latch Base | £3.14 |
| TDBK56 | Latch Strike 56mm | £3.15 |
| TDBKHOOK | Hook/Dead Keep x 2 | £4.78 |
| ERASB | Top and Bottom Shoot Bolt x2 | £5.40 |
| MAC-FB | Maco Finger Bolt x 2 | £12.80 |
| TDBTSBK | Twin Shoot Bolt Adjustable Keep x 2 | £5.84 |

FULL FRENCH DOOR KIT PRICE FROM **£122.55**

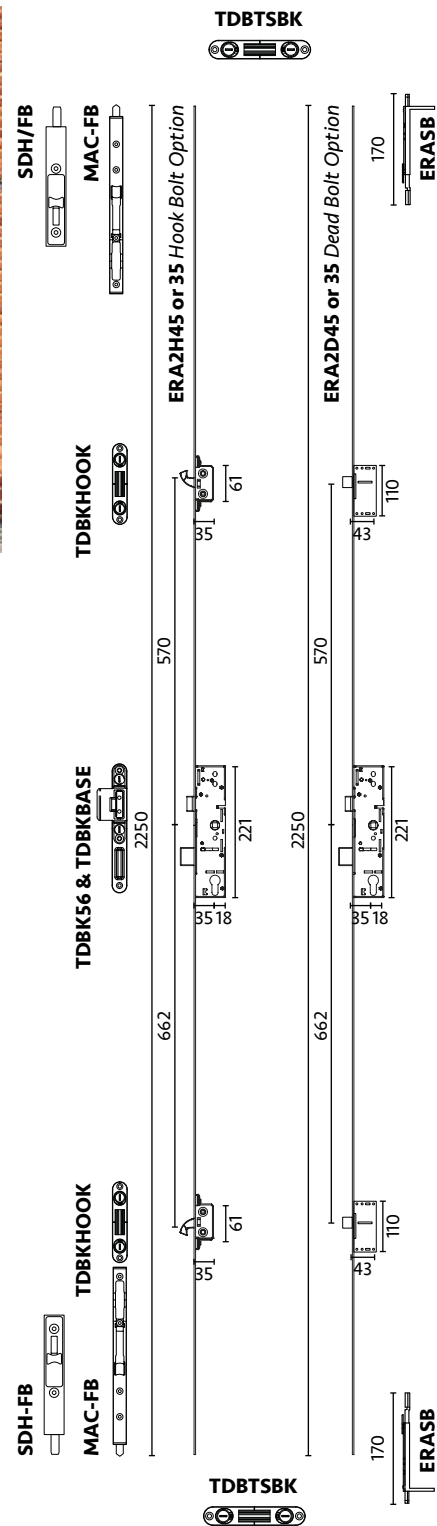
Recommended Product

White Lithium Grease with PTFE

- Lubricates and protects moving parts
- PTFE reduces friction
- Ideal for use with Accoya
- Long-lasting protection against corrosion
- Operating temperatures: -20°C - +140°C
- 500ml

PTFE-1

£9.57
ex VAT



VIPER MULTIPOINT DOOR LOCK

FOR FRONT + FRENCH DOORS


ERA

**BEST
SELLER**

The **Viper Multipoint Door lock** is the best multipoint lock on the market and used by top joineries throughout the UK. It is the perfect solution for single and French doors, with major benefits over other locks. With this lock and its various extension and shoot bolt options, you can manufacture short and tall door heights using the same lock. Please see below some of the key reasons to use this lock when manufacturing Front Entrance and French Doors.

KEY REASON TO USE THE VIPER MULTIPOINT DOOR LOCK

- ✓ 1870mm minimum height for fully shot French doors.
- ✓ PAS24 accredited for single and French doors to achieve Part Q compliance.
- ✓ Faceplate and drive bar manufactured in Stainless Steel.
- ✓ Bi-directional gearbox.
- ✓ Easy installation with full flush adjustment on every locking point.
- ✓ Double laminated security shootbolts on master and slave doors.
- ✓ 45mm backset for slave and master.

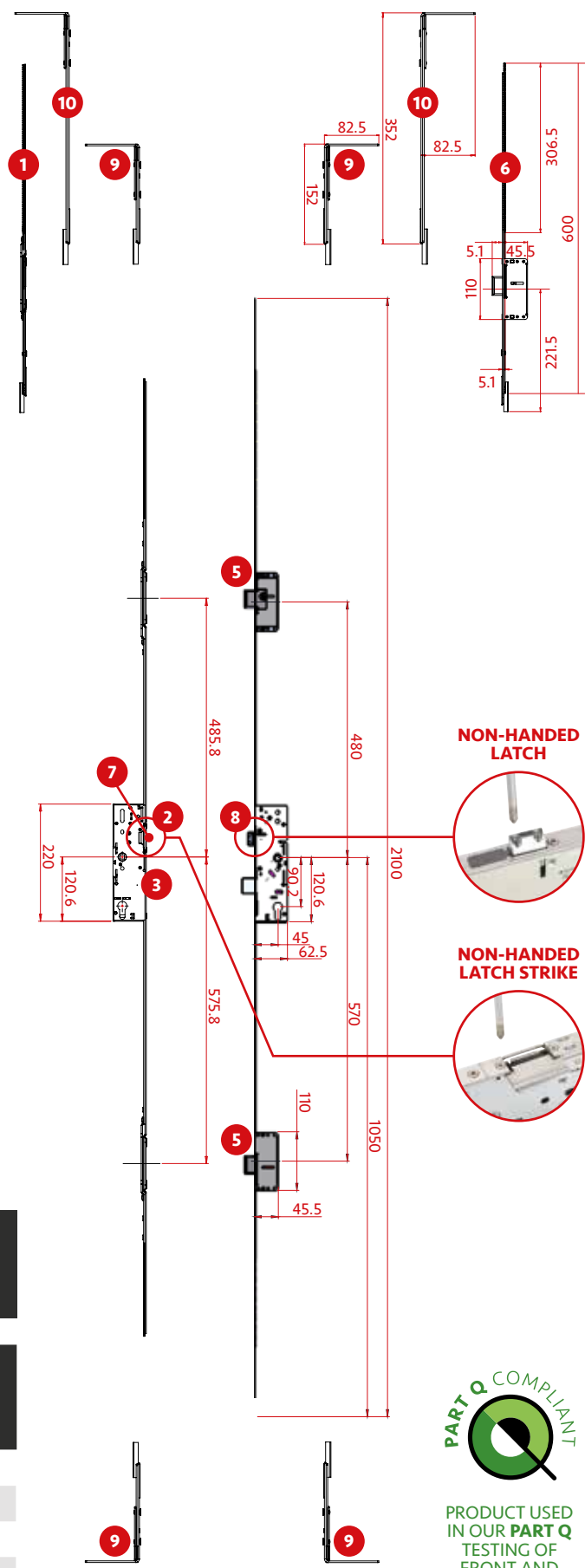
more info 



Viper French & Single Door Lock

KEY FEATURES

- Faceplate and drive bar manufactured in Stainless Steel.
- 3 x 20mm brass forged tapered deadbolts.
- Full flush adjustment on every locking point.
- Extension with deadbolt (Master) and adjustable keep (Slave) for taller french and front doors.
- Double laminated security shootbolts on master and slave doors for extra security.
- 45mm backset for slave and master lock.
- Adjustable flush strike plates with 20mm face plate.
- Both locks split spindle as standard which saves on setup time.
- Bi-directional gearbox.
- Anti-fouling device fitted to slave lock ensuring you lock the slave before the master.
- Slave has an adjustable strike for centring of 56 - 58mm doors.
- 1870mm minimum height with handle height of 1050mm for fully shot French doors. Shorter doors can be achieved if reducing handle height or not fitting a top shoot bolt.
- PAS24 accredited for single and French doors as well as being Part Q compliant.
- Adjustable range of single door keeps for 56mm doors or use single piece keep.
- Achieved PAS24 2016 test



NON-HANDED LATCH

NON-HANDED LATCH STRIKE



PRODUCT USED IN OUR PART Q TESTING OF FRONT AND FRENCH DOORS

FULL KIT PRICE (2.1m Doors)
 INCLUDES
 Master, Slave, 4 x Shoot Bolts
 & 2 x Twin Shoot Bolt Keeps
 from **£140.77**
 ex VAT

| DOOR SIZING CHART | VIP45M | VIP45S | VIPMED | VIPSEK | VIP152SB | VIP352SB | TDBTSBK |
|-------------------|--------|--------|--------|--------|----------|----------|---------|
| 1815-2100 | 1 | 1 | | | 4 | | 2 |
| 2100-2300 | 1 | 1 | | | 2 | 2 | 2 |
| 2300-2670 | 1 | 1 | 1 | 1 | 4 | | 2 |
| 2450-2880 | 1 | 1 | 1 | 1 | 2 | 2 | 2 |

1 SLAVE EXTENSION**VIPSEK**

600mm Slave Extension with integral adjustable keep for master extension

**6 MASTER EXTENSION****VIPMED**

600mm Master Extension with integral high security forged brass linear bolt.

**2 LATCH STRIKE**

Adjustable centre latch strike to suit a centre lock position on a 56mm door. On thicker doors use an offset lock.

**7 REBATE LATCH STRIKE**

Viper Rebated Latch Strike for use with Viper Double Rebated French Doors.

Dimensions: 50mm x 25mm
Opening Size 35mm x 12mm

**3 ANTI-FOUL DEVICE**

Feature that ensures the slave lock is thrown before the master lock is secured.

**8 SNIB FACILITY**

Snib facility for de-latching

**4 DEADBOLT STRIKE**

Fully adjustable flush deadbolt strikes with +/- 2mm of adjustment.

**9 DOUBLE LAMINATED SHOOTBOLT****VIP152SB**

Extra enhanced security shootbolt for improved resistance to forced entry.

**5 TAPERED DEADBOLT**

2 x high security forged linear bolts with 2mm throw and tapered lead in.

**10 EXTENDED SHOOTBOLT****VIP352SB**

For door heights between 2100mm and 2280mm.

Double Laminated.

10 Year Guarantee.



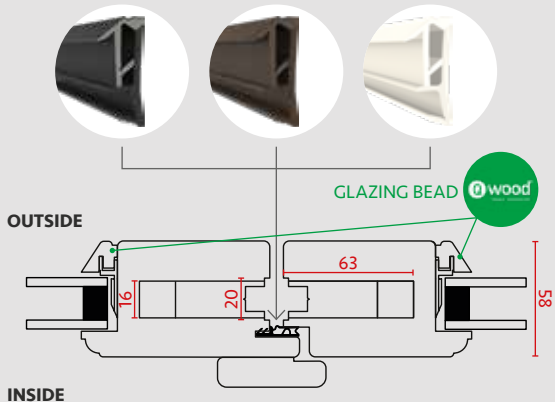
Whitehill

TALK TO US
ABOUT TOOLING
FROM WHITEHILL

10 YEAR MECHANICAL
GUARANTEE

LOCKING SYSTEM FOR SINGLE REBATED DOORS

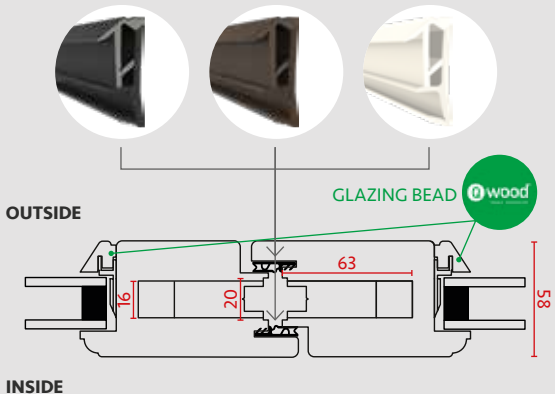
DEV-124-15 DEVENTER WEATHER SEALS



LOCKING SYSTEM FOR DOUBLE REBATED DOORS

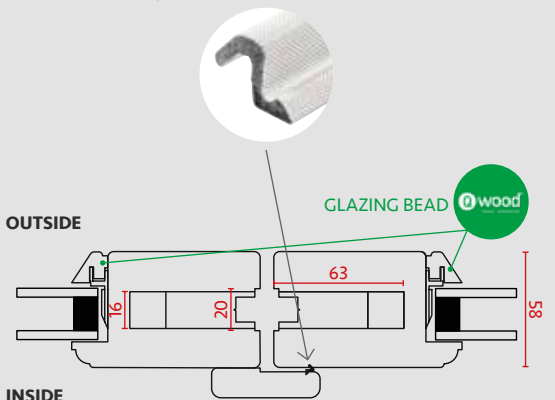
This rebate section will save time as the Slave & Master profiles are the same

DEV-124-15 DEVENTER WEATHER SEALS



LOCKING SYSTEM FOR SQUARE EDGE DOORS

AQ21 AQUAMAC WEATHER SEAL

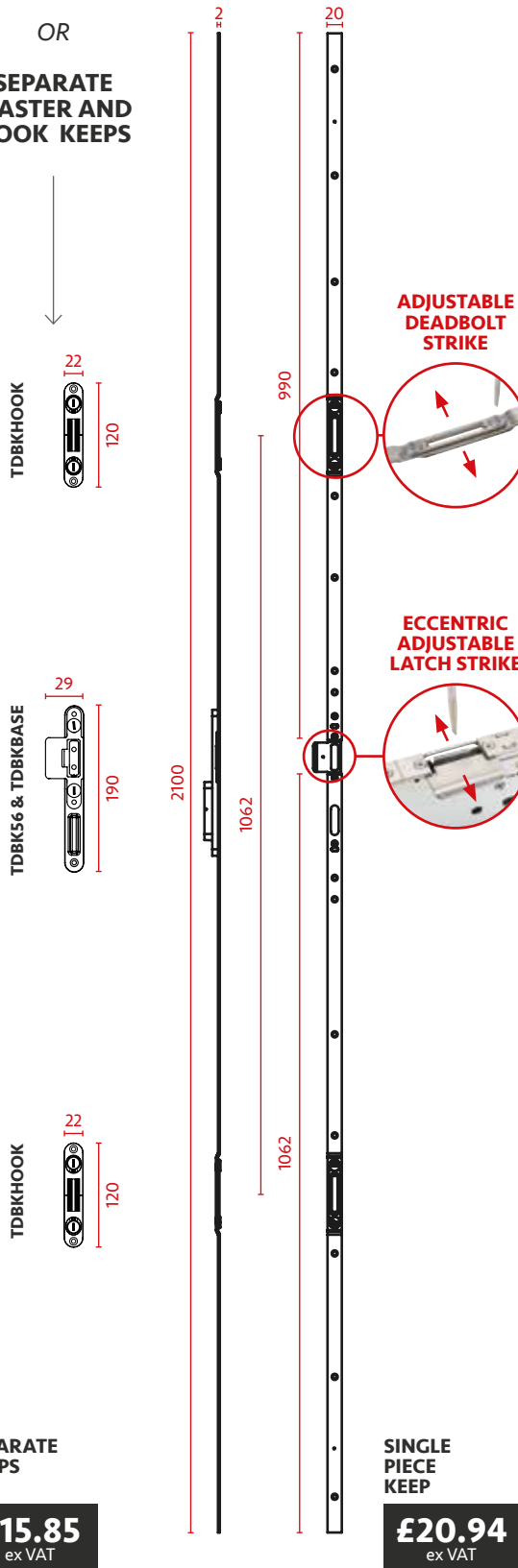


KEEPS FOR **SINGLE** DOORS

CHOICE OF ONE PIECE KEEP

OR

SEPARATE MASTER AND HOOK KEEPS



£15.85
ex VAT

£20.94
ex VAT



ERA Hurricane Hook Bolt French Door Lock Kit

The ERA (Hurricane) 45mm Backset Lock Kit with 2 Hook Multi Point lock for Composite/Timber doors is designed to operate using a Euro Profile Cylinder and compatible 92mm handle. Twin high-security steel hooks lock into steel keeps offering maximum resistance to forced entry, and the bi-directional throw of the hooks protects the door from being jimmed.

The easily reversible latch bolt and the non handed design enables the lock to be used for left or right-handed doors that are inward or outward opening. The snib facility enables the latch bolt to be held in the retracted position giving the option to travel freely through the door without depressing the handle. The lock also incorporates a split spindle function for Lever Pad handle applications.

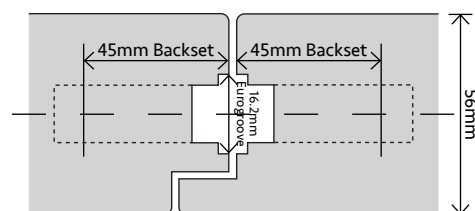
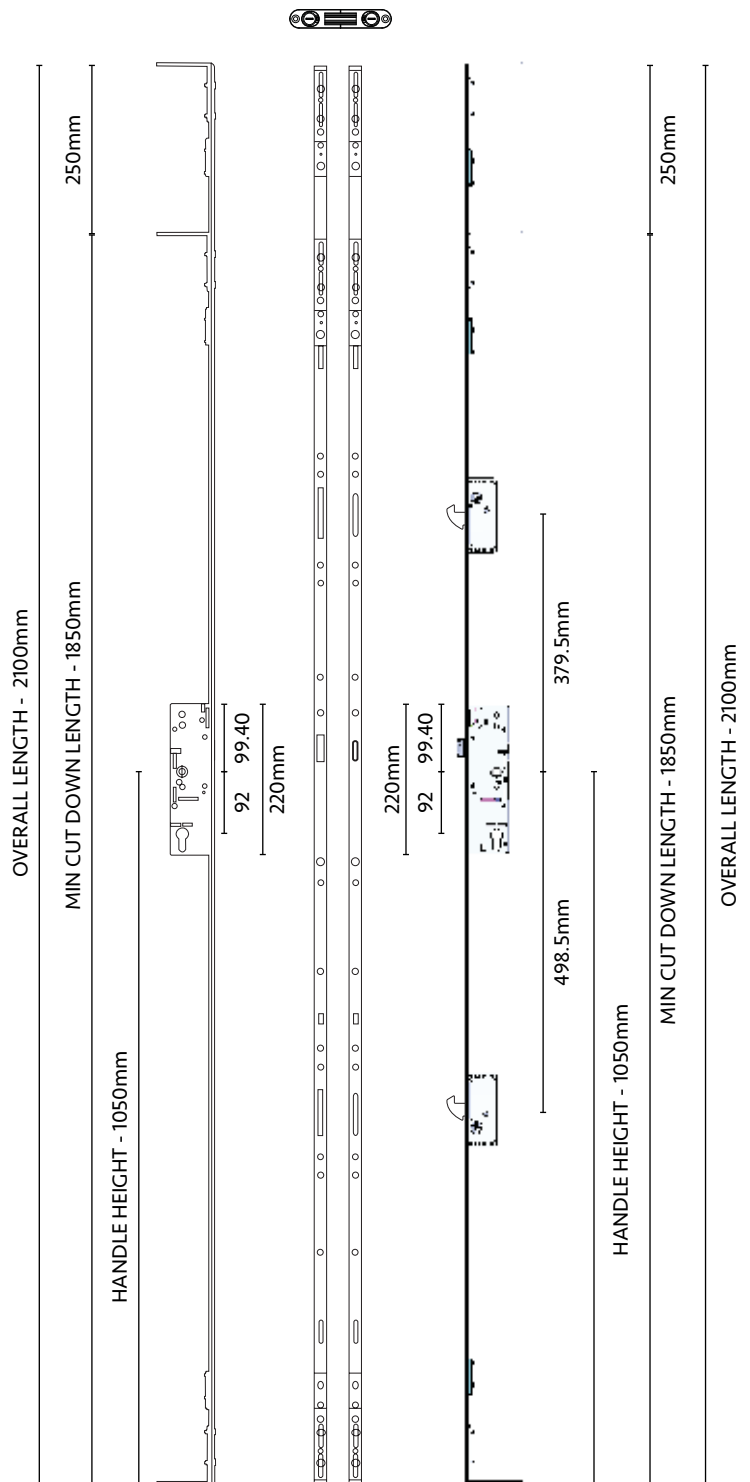
High-security shootbolts are included in the kit to add enhanced security, particularly when used on French door applications. The 45mm backset secured on a 16mm face bar makes this lock an ideal choice for composite/timber door applications.

- Twin high-security steel hooks
- Bi-directional throw
- Non-handed lock
- Split spindle function
- Tested to the highest technical standards and latest security requirements
- Grade 4 Corrosion Resistance (240 hours)
- Endurance tested in excess of 50,000 cycles

LOCK COMPONENTS

| CODE | DESCRIPTION | PRICE |
|--|--------------------------------|--------------------------|
| ERA-HH45M | Master Lock 45mm Backset | £62.66 |
| ERA-HH45S | Slave Lock 45mm Backset | £35.36 |
| ERASB | High Security Shootbolt | £5.40 |
| TDBTSBK | Twin Shootbolt Adjustable Keep | £5.84 |
| ERA-HURRICANE-45 FULL FRENCH DOOR KIT PRICE | | £131.30 ex VAT |

PLEASE REFER TO **PAGE 22** FOR KEEPS



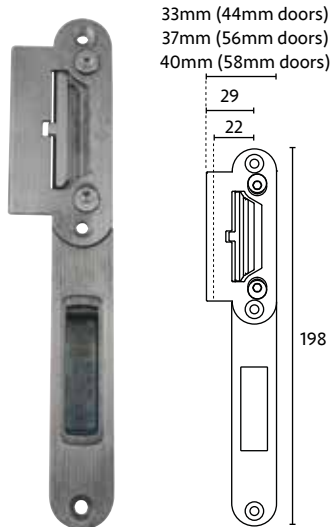


Fuhr 3 Piece 58/56/44mm Latch Keep

- SKG 3 Star Security Striker
- Cross grain fixings
- 3 Part Keep
- Adjustment independent of latch strike
- Totally flush (no protruding faceplate)

FUH-LATCH-58, 56 or 44
FUH-DEAD
FUH-BASE

£8.04
ex VAT

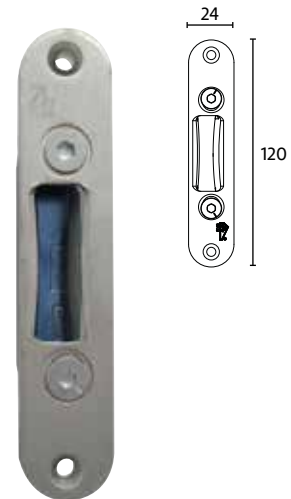


Fuhr 2 Piece Hook Keep

- SKG 3 Star Security Striker
- Cross grain fixings
- 2 Part Keep
- Adjustable
- Totally flush (no protruding faceplate)

FUH-HOOK-TOP
FUH-HOOK-BASE

£8.32
ex VAT

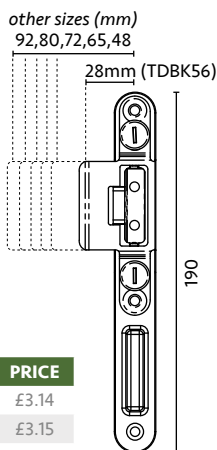


TDBK 2 Piece Latch Keep

- 2 Part Keep
- Easy screwdriver adjustment
- Totally flush (no protruding faceplate)
- TDBK56 for 56mm doors

TDBKBASE required
+ Choose latch plate size

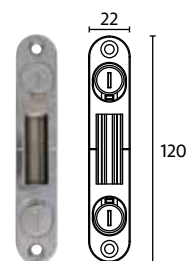
| CODE | DESCRIPTION | PRICE |
|----------|-----------------------------------|-------|
| TDBKBASE | Latch Keep Base | £3.14 |
| TDBK56 | 28mm Latch Plate (for 56mm doors) | £3.15 |
| TDBK48 | 48mm Latch Plate | £5.99 |
| TDBK65 | 65mm Latch Plate | £5.99 |
| TDBK72 | 72mm Latch Plate | £5.99 |
| TDBK80 | 80mm Latch Plate | £5.99 |
| TDBK92 | 92mm Latch Plate | £5.99 |



TDBK Hook/Dead Bolt Keep

- Easy adjustment
- Can be used for hooks or deadbolts
- Fully pocketed keep
- Totally flush (no protruding faceplate)

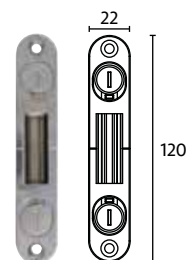
TDBKHOOK
£4.78
ex VAT



Twin Shootbolt Keep

- Fully pocketed for protection against water ingress
- Easy adjustment

TDBTBSBK
£5.84
ex VAT



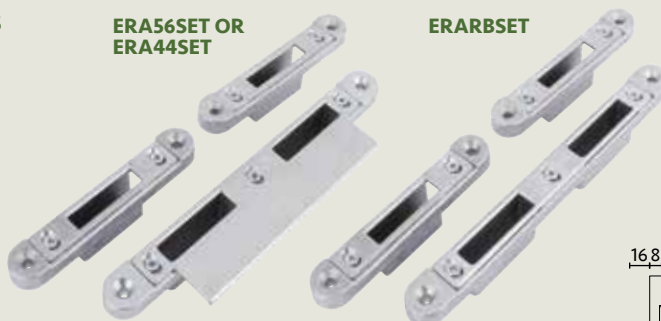
ERA 3 Piece Keep Sets

- For 44mm, 56mm and Rebated French Doors
- Pocketed
- Easy adjustment
- non handed
- Simple design

CAN BE USED WITH ALL STANDARD ERA MULTI-POINT DOOR LOCKS INCLUDING VIPER AND HURRICANE

ERA56SET OR ERA44SET

ERARBSET



56mm Doors
ERA56SET

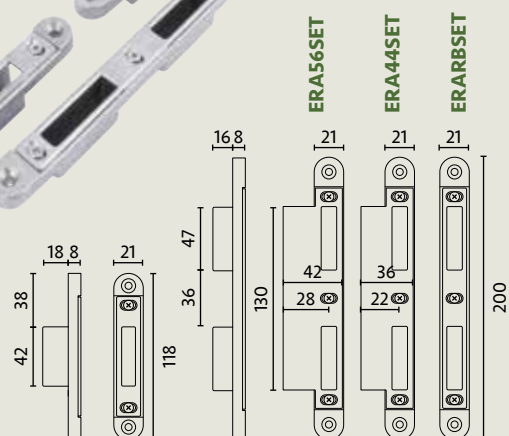
44mm Doors
ERA44SET

Rebate Set
ERARBSET

£11.83
ex VAT

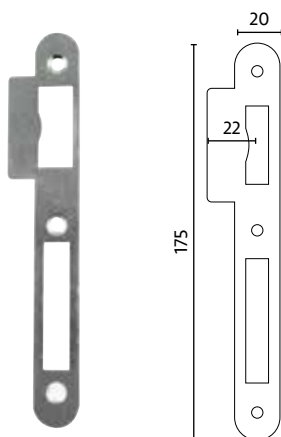
£11.83
ex VAT

£12.59
ex VAT



Ferco Flat Keeps

- Simple flat 2mm keep
- Non-Handed

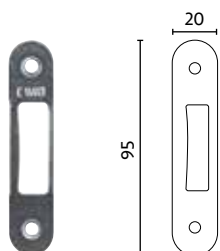


FER-DLK-1

£6.14
ex VAT

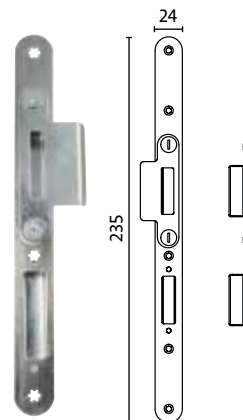
FER-HK

£4.94
ex VAT



Winkhaus Keeps

- Adjustable with Allen Key
- Handed
- Full metal pocket

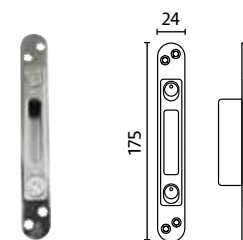


WK-CK-54-LH/RH

£10.10
ex VAT

WK-TWIN-DK

£5.24
ex VAT



SDH Single Shootbolt Adjustable Strike

- This adjustable keep/strike can be used when using shoot bolts on windows and doors
- Easy adjustment
- +/- 3mm adjustment

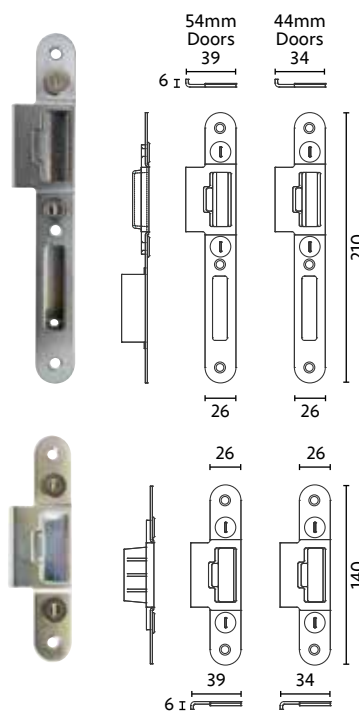


SDH-SBS

£2.84
ex VAT

GU Keeps

- Heavy duty
- Cross grain screw fixings
- Simple adjustment
- Handed
- Right-hand shown



GU-CL

£7.47
ex VAT

GU-DBK

£4.71
ex VAT

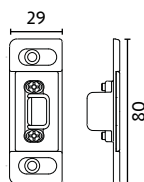
SDH Threshold Keep

- Perfect keep solution for single shootbolts into a threshold



FUH-TSS

£7.21
ex VAT



Fuhr Single Shootbolt Keep

- For use with Fuhr Single Handle French Door Lock
- Fully pocketed 2 part keep
- Bevelled version available for use in sills (FUH-SSKB)



FUH-SSKT/SSKB

£7.21
ex VAT

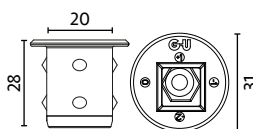
22mm Single Shootbolt Keep

- Allen key adjustable



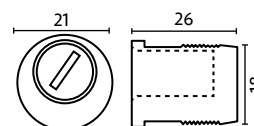
SDH-SK-HD

£6.75
ex VAT



Thimble Keep

- Eccentric keep



SDH-TK

£2.01
ex VAT

Door Restrictor

- For restricting door opening via friction
- Hold open 90°

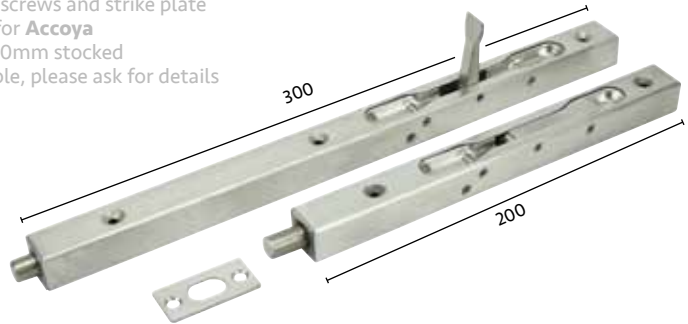


DFR370

£17.64
ex VAT

SOX Slim Flush Bolt

- Complete with screws and strike plate
- Great product for **Accoya**
- 200mm and 300mm stocked
- 600mm available, please ask for details
- 20mm width
- 15mm depth



SOX-FB-SLIM
-200

£18.89
ex VAT

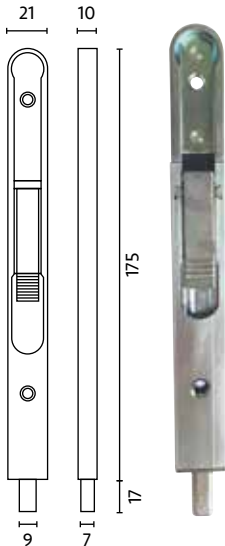
SOX-FB-SLIM
-300

£22.14
ex VAT

SOX
STAINLESS STEEL

Radius End Flush Bolt

- Lever operated flush bolt
- Slim design 10mm depth
- 175mm length
- 21mm width



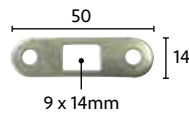
REFB

£6.97
ex VAT

Ferco Flushbolt

- Standard 16mm faceplate
- Easy slide action
- Slim 7mm depth
- 200mm length

Flushbolt Keep

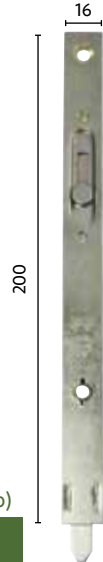


GUFB

£11.92
ex VAT

GUFBK (Keep)

£2.17
ex VAT



Zam Door Flush Bolt

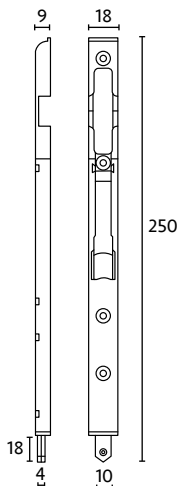
- Reversible, can be used for both the top and bottom of the door
- Strong 21mm bolt
- Heat treated hardened steel tip for anti-saw protection
- 10-year Mechanical Guarantee



| CODE | FINISH / SIZE | PRICE |
|-------------|---------------|--------|
| ZAM-FB140-B | Black 140mm | £8.56 |
| ZAM-FB220-B | Black 220mm | £12.23 |
| ZAM-FB450-B | Black 450mm | £13.91 |
| ZAM-FB650-B | Black 650mm | £15.40 |
| ZAM-FB140-S | Silver 140mm | £8.56 |
| ZAM-FB220-S | Silver 220mm | £12.23 |
| ZAM-FB450-S | Silver 450mm | £13.91 |
| ZAM-FB650-S | Silver 650mm | £15.40 |

Maco Finger Bolt

- Simple & easy lever action flip over
- 540mm version available for tall doors



***REDUCED PRICE**

540mm
MAC-FB-540

£25.00
ex VAT

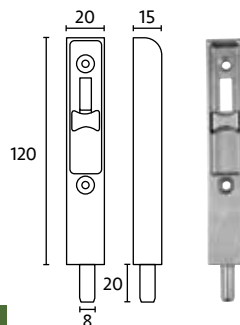
MAC-FB

£12.80*
ex VAT

SDH Finger Bolt

The SDH finger bolt has been designed specifically for flush timber doors.

- Extra strong shootbolt



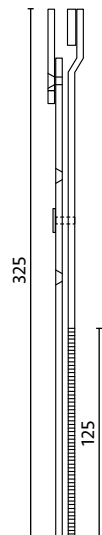
SDH-FB

£8.72
ex VAT

325mm No Cam Extension

Can be used with below products;

- Excalibur
- Maco MK1
- Vintage French Door
- TDB Yale
- ERA Door Locks



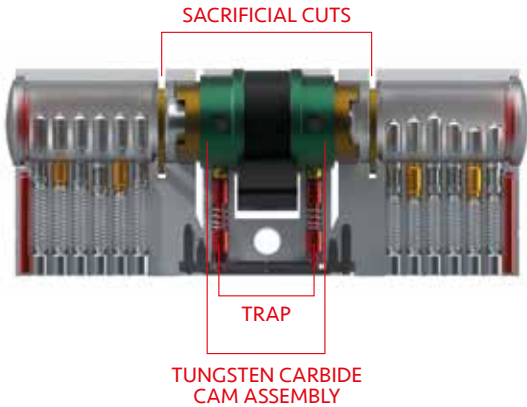
EXEEXT

£6.34
ex VAT

F6 Extra S3 High Security 3 Star Cylinder



- Non-handed allowing fitting either way/side
- Thumb turns are available in a choice of 5 designs including anti-ligature
- Key duplication possible from any quality locksmiths
- Patented internal trap with Tungsten Carbide cam assembly
- Master-keying and keyed alike systems in 3-5 working days
- Available in Polished Nickel, Brass & Satin nickel
- Key-Key, Keyed Alike and Thumbturn options
- Master key to pass available
- Most comprehensive range of sizes and options for 3 star cylinders



PRICES

| | |
|------------------|------------------------|
| IS 3STAR 35/35 | £35.36 ^{+VAT} |
| IS 3STAR 40/40 | £37.59 ^{+VAT} |
| IS 3STAR 35/45 | £37.75 ^{+VAT} |
| IS 3STAR 40/40TT | ENQUIRE |

Thumbturn pieces must be ordered separately

Many other sizes and configurations available, please ask for details.

ARE YOU GETTING **VALUE** FOR MONEY ON YOUR CURRENT 3 STAR CYLINDERS?

COMPETITIVE 3 STAR CYLINDERS



Greenteq 3 Star Cylinders

Comprehensively tested 3 Star Cylinders at competitive prices

- TS007 Kitemark 3 star profile cylinder (KM591531)
- Protects against bumping, drilling, picking, snap & extract
- 20 different Key/Key sizes available
- 13 different Key/Thumbturn sizes available
- Keyed alike pairs available, please ask for details.

| | KEY KEY | | THUMBTURN KEY | |
|-------|---------|--------|---------------|--------|
| | NICKEL | BRASS | NICKEL | BRASS |
| 35-35 | £20.50 | £20.50 | £23.92 | £23.92 |
| 35-45 | £21.36 | £21.36 | £24.77 | £24.77 |
| 40-40 | £22.21 | £22.21 | £25.63 | £25.63 |
| 40-45 | £23.06 | £23.06 | £26.49 | £26.49 |



Key Key Cylinders

The SDH range of 6 pin and **10 pin (Black only)** Cylinders are Anti-Drill, Anti Pick and meet the requirements of EN1303:2005



for other sizes and special finishes, please ask for details

| | NICKEL | BRASS | BLACK |
|-------|--------|-------|---------|
| 35-35 | £6.50 | £6.50 | ENQUIRE |
| 35-45 | £7.13 | £7.13 | ENQUIRE |
| 40-40 | £7.13 | £7.13 | ENQUIRE |
| 40-45 | £7.33 | £7.33 | ENQUIRE |
| 45-45 | £7.60 | £7.60 | ENQUIRE |

Key Thumbturn Cylinders

The SDH range of 6 pin Cylinders are Anti-Drill, Anti Pick and meet the requirements of EN1303:2005



for other sizes and special finishes, please ask for details

| | NICKEL | BRASS | BLACK |
|-------|--------|--------|---------|
| 35-35 | £11.50 | £11.50 | £19.14 |
| 35-45 | £12.50 | £12.50 | £20.02 |
| 40-40 | £12.45 | £12.45 | £20.90 |
| 40-45 | £12.85 | £12.85 | ENQUIRE |
| 45-45 | £13.25 | £13.25 | £22.22 |

Keyed Alike Cylinders

We supply keyed alike cylinders from stock in single and pair form. For different sizes and combinations like key to pass etc please enquire with our sales team.



Keyed Alike SINGLES

DC40-40KAB/KAN SIN

£10.06
ex VAT



Keyed Alike PAIR

Complete with 6 keys

DC40-40KAN/KAB PAIR

£18.45
per pair ex VAT

Half Thumbturn Cylinders

Ideal for bottom lock of Stable Door or Juliet Balcony



| | NICKEL | BRASS |
|-------|--------|---------|
| 35-10 | £8.19 | ENQUIRE |
| 40-10 | £9.73 | ENQUIRE |
| 45-10 | £10.79 | ENQUIRE |

ISEO F6 ExtraS Euro 1 Star Security Cylinders

- Supplied with 3 keys
- British Standard Kite Mark certification
- Secured by Design accreditation
- Satin nickel finish
- Snap resistant strengthening bar and sacrificial cut
- Keyed alike pairs available, please ask for details.




| | KEY KEY | | THUMBTURN KEY | |
|-------|---------|--------|---------------|--------|
| | NICKEL | BRASS | NICKEL | BRASS |
| 35-35 | £16.23 | £16.23 | £18.52 | £18.52 |
| 35-45 | £18.52 | £18.52 | £22.69 | £22.69 |
| 40-40 | £19.02 | £19.02 | £21.32 | £21.32 |

Easy Access Thumb Turn Cylinder

- Available in Nickel & Brass



DC40-40EAN/EAB
£28.72
ex VAT

OTHER SIZES AVAILABLE TO ORDER

Keyed alike service

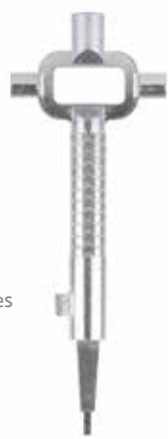
We offer a very competitive keyed alike service on all our cylinders, please enquire with our sales team for prices.

Other finishes

SDH can now supply cylinders in other finishes, please enquire with our sales team for more information.

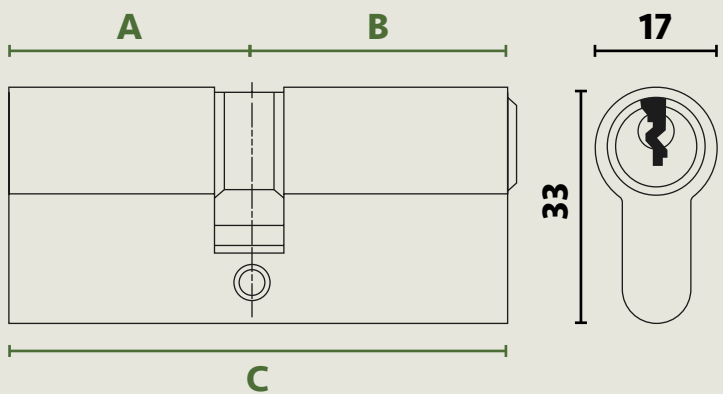
Souber Tools Long Multi Euro Cylinder Tool

- Quick locking and unlocking of Euro and Oval locks
- Tapered square drive for follower operation with size markings 7mm to 10mm
- 3mm Hex drive to handle Allen head screws
- 3 square drives for operating 6mm, 7mm, and 8mm spindles
- Markings to determine accurate cylinder length



DCD1
£23.42
ex VAT

HOW TO MEASURE A CYLINDER



To determine size of cylinder, measure 'A' then 'B'
Example A = 40mm, B = 45mm order 40/45 cylinder

A LEADING
SUPPLIER OF
WINDOW & DOOR
HARDWARE TO THE
JOINERY INDUSTRY

ORDER BY **PHONE**, **EMAIL** or **WEB**



01752 651330



sales@sdhardware.co.uk



www.sdhardware.co.uk

SD Hardware Ltd | Unit 7 Forge Lane, Enterprise Park, Saltash, Cornwall PL12 6LX
Phone: 01752 651330 **Fax:** 01752 253823 **Email:** sales@sdhardware.co.uk