



Grow with us.

2021 collection



Changing the Nature of Gardening

Developed and proven by farming experts, the patented EarthBox® gardening system has become legendary for its ability to outperform and out-produce other gardening methods. Growing healthy and nutritious (even organic!) vegetables, herbs, and fruit has never been easier! Great results, no matter what color your thumb is.

How It Works: The Science of the EarthBox® Gardening System

1 PLANT FOOD/ FERTILIZER

Using a dry, granular fertilizer with N-P-K between 5-15 provides plants with essential nutrients—giving them exactly what they need, when they need it. Single application means no feeding schedule, no guessing.

2 DOLOMITE

Provides essential trace elements to support overall plant health and maintain pH. With an even blend of calcium and magnesium, dolomite also helps prevent Blossom End Rot (BER) on tomatoes and other fruit.

3 GROWING MEDIA (SOLD SEPARATELY)

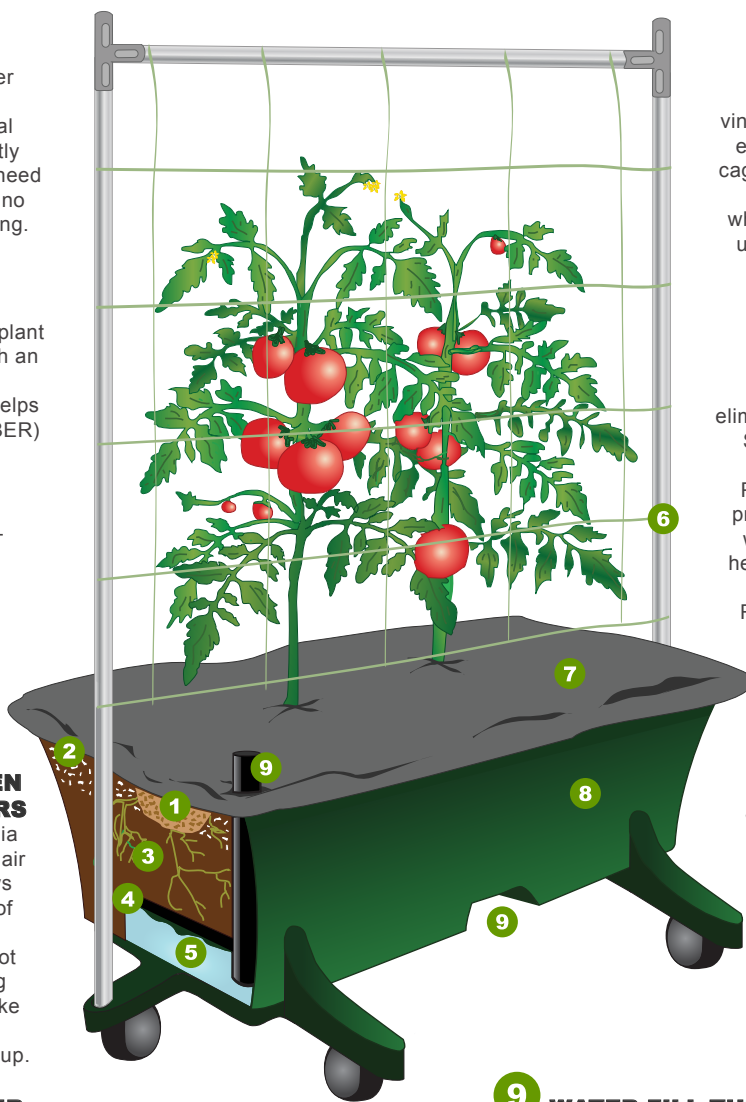
By using a high quality peat-based growing media, poor soil conditions and soil-borne disease are eliminated. Acting as a wick, along with plants' thirsty roots, peat allows an ideal amount of moisture to be absorbed from the bottom up.

4 AERATION SCREEN & WICKING CHAMBERS

Separating the growing media from the water reservoir, an air pocket between layers allows oxygen to access the roots of plants via small holes in the screen—which prevent root rot and mold. Integrated wicking allows growing media to make contact with the reservoir to draw water from the bottom up.

5 WATER RESERVOIR

Holds nearly 3 gallons, allowing thirsty plants to draw water naturally through capillary action.



6 OPTIONAL 5-FT. STAKING SYSTEM (SOLD SEPARATELY)

The perfect solution for tall or vining plants! The Staking System eliminates the need for awkward cages or trellises, and is designed to provide stability and support while maintaining mobility. Allows unruly crops to be kept neat and tidy, and for sprawling plants to grow vertically.

7 MULCH COVER

Creates an ideal growing environment for plants, and eliminates the need for herbicides. Stops weeds from transplanting and using up plants' resources. Protects from rain or drought by protecting plants' resources from washing away during periods of heavy rain, and conserving water by minimizing evaporation. Reversible sides can be used in any climate: Black side helps stimulate growth, while the white side helps protect young seedlings from heat.

8 SUSTAINABLE & BUILT TO LAST

Just add optional casters to the bottom of the system to put your garden on the move for easy portability. Food-safe, BPA-free, recyclable resin is UV-stabilized to last for years in direct sun. Reuse the same system again each growing season just by adding new fertilizer, dolomite, mulch cover, and plants.

9 WATER FILL TUBE & OVERFLOW DRAIN

Easily add water to the reservoir through the fill tube. You'll know it's full when excess water flows from the overflow drain, making it impossible to overwater your garden.

Grow With Us

For more than 25 years, EarthBox® has been a top performer in a popular category – container vegetable gardening – making it a natural fit for your store. This line of container gardening systems and accessories has something for everyone, and is sure to be a continued success!



Recycled Material*



Self-watering | Conserves Water



Recyclable

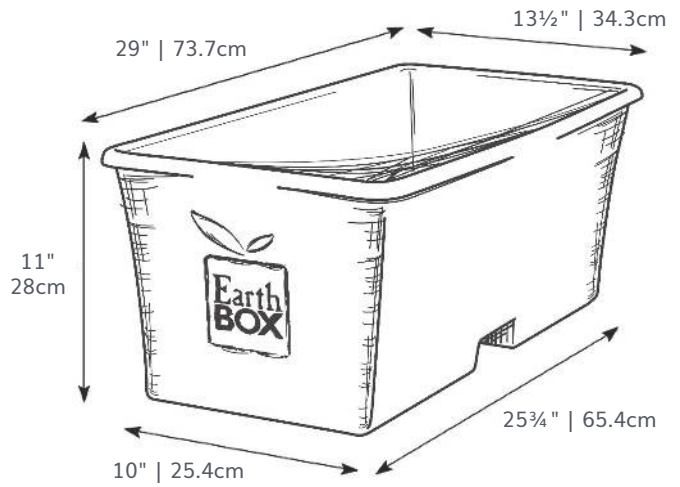


Made in U.S.A.



EarthBox® Original Garden Kit

The maintenance-free, patented EarthBox® gardening system controls soil conditions, eliminates guesswork, and more-than-doubles the yield of a conventional garden — with less fertilizer, less water, and virtually no effort!



Soil Cap. 2.0 cu. ft. | 56.63L
Water Res. Cap. 3 gal. | 11.35L

Each EarthBox® Original Garden Kit Includes:

- 4-piece gardening system (EarthBox® container, aeration screen, water fill tube, 2 B/W reversible mulch covers)
- 1 lb. Fertilizer (Standard 7-7-7 or Organic 8-3-5)
- 1 lb. Organic Dolomite
- 4 Casters



Product	Case	Green	Terracotta	Chocolate	Eggplant	Sage
EarthBox Garden Kit Standard - No Display	4	80101	80105	80103	80106	80100
EarthBox Garden Kit Standard - Display Case	4	80101.04	80105.04	80103.04	80106.04	80100.04
EarthBox Garden Kit Organic - No Display	4	80151	80155	80153	80156	80150
EarthBox Garden Kit Organic - Display Case	4	80151.04	80155.04	80153.04	80156.04	80150.04



EarthBox® Junior™ Garden Kit 🌱💧♻️🇺🇸

Just like the Original EarthBox® gardening system, with the same smart technology, but half the size! Ideal for growing herbs and lettuces.

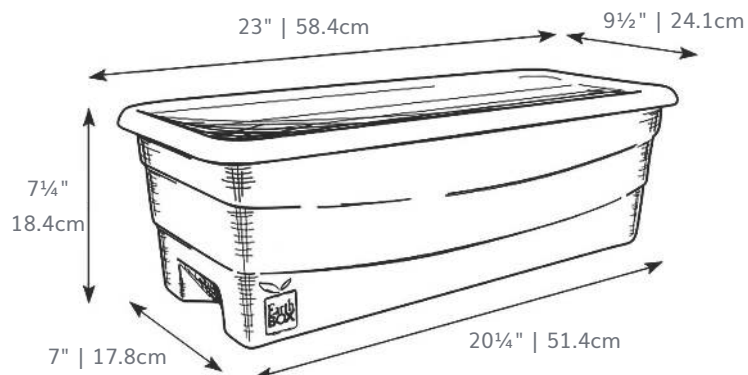
Each EarthBox® Junior™ Garden Kit Includes:

- 4-piece gardening system (EarthBox® Junior™ container, aeration screen, water fill tube, 2 B/W reversible mulch covers)
- ½ lb. Fertilizer (Organic 8-3-5)
- ½ lb. Organic Dolomite
- Overflow Saucer



Product	Case	Green	Terracotta	Mixed*
EarthBox Jr. Garden Kit Organic - Display	6	80651	80655	80658 (2 ea.)

*Mixed contains 2 ea. Green, Terracotta, and Chocolate

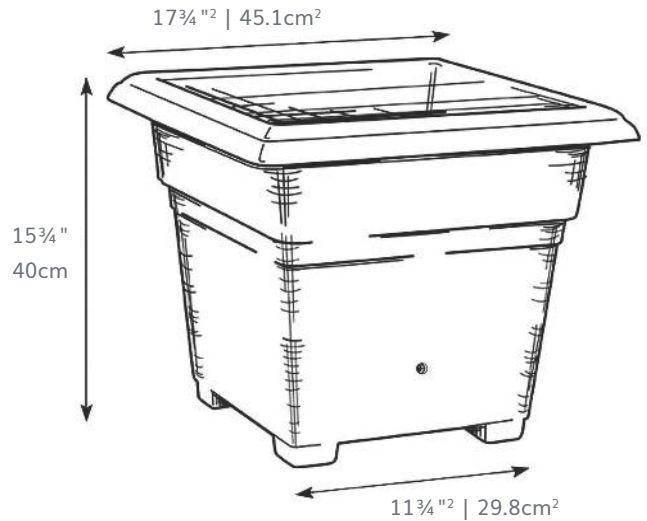


Soil Cap. 1.0 cu. ft. | 28.32L | Water Res. Cap. 1.15 gal. | 4.35L

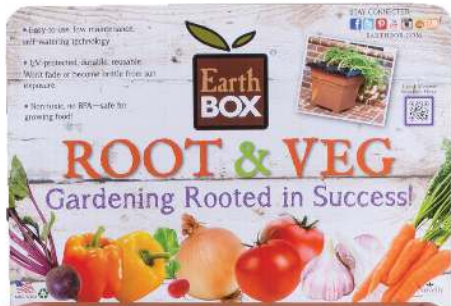
EarthBox® Root & Veg™

Garden Kit

This newest product in the EarthBox® Family can grow larger and longer root crops such as carrots, rutabagas, and parsnips – or just a single tomato! A hit with consumers who don't have space or time for a traditional garden.



Soil Cap. 2.0 cu. ft. | 56.63L
Water Res. Cap. 2 gal. | 7.57L



Each EarthBox® Root & Veg™ Garden Kit Includes:

- 4-piece gardening system (EarthBox® Root & Veg™ container, aeration screen, water fill tube, 2 B/W reversible mulch covers)
- 1 lb. Fertilizer (Standard 7-7-7 or Organic 8-3-5)
- 1 lb. Organic Dolomite



Product	Case	Green	Terracotta	Sage
EarthBox Root & Veg™ Garden Kit Standard - Display	4	81701	81705	81700
EarthBox Root & Veg™ Garden Kit Organic - Display	4	81751	81755	81750

EarthBox® Pallets

Colorful pallet sets of the EarthBox® Original Garden Kit are perfect for any store setting.



EarthBox® 12/pack Starter Pallet

Product	Dim. (L x W x H)	Qty.	Green	Terracotta	Mixed*
EarthBox Garden Kit - Standard	29" 14" 11" 74cm 36cm 28cm	12	80101.12	80105.12	80107.12 (4 ea.)
EarthBox Garden Kit - Organic	29" 14" 11" 74cm 36cm 28cm	12	80151.12	80155.12	80157.12 (4 ea.)

30" x 40" | Ship Wt. 150 lbs./ 68.04Kg

*Mixed contains 4 ea. Sage, Eggplant, and Terracotta

EarthBox® 36/pack Mini Pallet

Product	Dim. (L x W x H)	Qty.	Green	Terracotta
EarthBox Garden Kit - Standard	29" 14" 11" 74cm 36cm 28cm	36	80101.36	80105.36
EarthBox Garden Kit - Organic	29" 14" 11" 74cm 36cm 28cm	36	80151.36	80155.36

30" x 40" | Ship Wt. 390 lbs./ 176.9Kg

EarthBox® Replant Kits & Replacements

Replant Kits and replacement parts allow your customers to enjoy their EarthBox® gardens each year by replacing essential nutrients and components.

Product	Dim. (L x W x H)	Case	7-7-7		8-3-5	
			Standard	Organic	Standard	Organic
Replant Kit Original	8.0" 4.0" 9.5" 20 10 24cm	12	81100	81101		
Replant Kit Junior™	8.25" 3.5" 6.5" 21 9 17cm	6	—	81112		
Replant Kit Root & Veg™	8.0" 4.0" 9.5" 20 10 24cm	6	81108	81109		

Original and Root & Veg™ Include: 1 lb. fertilizer, 1 lb. organic dolomite, 2 B/W reversible mulch covers.

Junior™ Includes: ½ lb. fertilizer, ½ lb. organic dolomite, 2 B/W reversible mulch covers.



EarthBox® B/W Mulch Kits (2 ea./pack)

Product	Dim. (L x W x H)	Case	Item #
Mulch Kit Original B/W	5.0" 2.0" 6.5" 13 5 17cm	12	81121
Mulch Kit Junior™ B/W	5.0" 2.0" 6.5" 13 5 17cm	12	81125
Mulch Kit Root & Veg™ B/W	5.0" 2.0" 6.5" 13 5 17cm	12	81129

2 B/W reversible mulch covers per pack, 12 packs per case.



EarthBox® Trellis Net

Dim. (L x H)	Case	Color	Item #
29" 63" 74 160cm	6	Sage Green	81075

Replacement net for Staking System.

EarthBox® Garden Stand and Staking System

The EarthBox® gardening system isn't complete without these popular accessory items.

Each EarthBox® Garden Stand Includes:

- 2 short frame pieces
- 2 tall frame pieces
- 8 Bolts
- 8 Cap nuts
- 16 Washers



*Dim. (L x W x H)	Case	Color	Item #
28.75" 13.5" 27"	1	Green	81201
73cm 34 69			

*Measurement of assembled item.

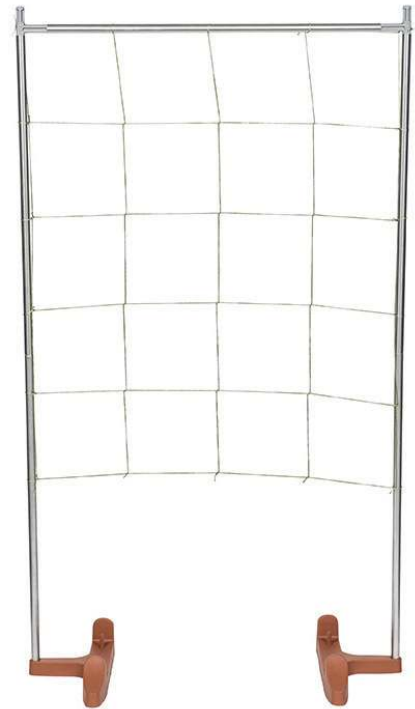


Casters NOT included. Casters provided in each EarthBox® Garden Kit are compatible with the Garden Stand.



Each EarthBox® 5-ft. Staking System Includes:

- 2 Outrigger feet (choose color)
- 5 Aluminum tubes (3 standard, 2 w/ crimped ends)
- 2 T-connectors
- 2 Rim clamps w/ hardware
- 2 Casters
- 1 Trellis net



*Dim. (L x W x H)	Case	Green	Terracotta	Chocolate	Eggplant	Sage
32" 22" 60"	4	81011	81015	81013	81016	81010
81 56 152cm						

*Measurement of assembled item.



eastotes
 Walnut Creek, California

lauraisfrench

malibucomposter
 Thousand Oaks, California

eastotes
 Walnut Creek, California



wellnessfirst.junobeach
 North Palm Beach

spaghetti_bretti_blog
 Siesta Key, Florida

campbellsbbq
 Evans, Georgia



/earthbox

 /EarthBox

 /EarthBox

#growwithus