



Diamond  
Sea Glaze

ADVANTEC ADVANTAGE



3 YEAR  
HASSLE-FREE  
WARRANTY

WE ARE PASSIONATE ABOUT DELIVERING

RELIABLE *SOLUTIONS*  
SUPERIOR *QUALITY*  
WORLD-CLASS *SUPPORT*

# PRODUCT CATALOG

GLASS | WINDOWS | DOORS | SKY LIGHTS | HATCHES



Proudly part of the AdvanTec family of brands



WWW.ADVANTECMARINE.COM

ADVANTEC ADVANTAGE



**3 YEAR**  
HASSLE-FREE  
WARRANTY

WE ARE PASSIONATE ABOUT DELIVERING

RELIABLE *SOLUTIONS*  
SUPERIOR *QUALITY*  
WORLD-CLASS *SUPPORT*

# ABOUT US

PIONEERS IN THE DEVELOPMENT OF BOAT WINDOWS

## ABOUT DIAMOND SEA GLAZE:

Diamond Sea Glaze designs and manufactures custom windows, boat doors, deck hatches, and glass for customers around the world. Diamond Sea Glaze delivers what our customers demand: sleek, strong and secure closures. DSG closures have quality built in – so everything else stays out. Each order is manufactured separately from beginning to end in our 80,000 sq. ft. vertically integrated plant just outside Vancouver, Canada. We are one of a few closure manufacturers in the world that insists on processing its own glass so we can ensure optimum quality control.

## ABOUT ADVANTEC:

Advantec is a collaboration of brands that specializes in the design, engineering, and manufacturing of a wide variety of marine products. As one of the largest marine manufacturers in the world, with over 150 years of experience collectively from their brands, they have been one of the leaders in innovation and creative manufacturing systems.

We are committed to delivering solutions that meet our customer's requirements. We offer after-sales service and commissioning support for all products sold.

## All Non-Powered Equipment:

- Platinum Warranty - 3 years from date of shipment

## All Powered Equipment:

- Standard Warranty - 2 years from date of shipment
- 1 year extension - Onsite commissioning required by Advantec Marine or certified technician for an additional

Scan for more information



# TABLE OF CONTENTS

<b>GLASS</b>	<b>4</b>
DIAMONDVIEW	5
DIAMONDFRIT	10
DIAMONDHEAT	12
DIAMONDTEMP	14
DIAMONDLAM	15
INSULATED GLASS	16
ENDUROSHIELD	17
<b>WINDOWS</b>	<b>18</b>
D SERIES	19
106 SERIES	20
150 SERIES   400 SERIES	21
600 SERIES   BRONZE SERIES	22
HEAVY-DUTY STEEL	23
<b>DOORS</b>	<b>24</b>
55 SERIES   150 SERIES	25
200 SERIES   200 DOOR HATCH COMBO	26
250 SERIES	27
300 SERIES	28
300 CUSTOM	29
360 SERIES	30
500 SERIES	31
500 SERIES DOOR	32
500 COMBO	33
<b>SKY LIGHTS</b>	<b>34</b>
<b>HATCHES</b>	<b>35</b>
<b>WINDOW TEMPLATE</b>	<b>36</b>
<b>ADVANTEC DEFINITIONS</b>	<b>38</b>
<b>SERVICE &amp; SUPPORT</b>	<b>41</b>

# GLASS

## INNOVATORS IN MARINE GLASS

An extensive range of glass types including annealed, heat treated, tempered, laminated and ultra safe tempered-laminated glass is available as standard. We stock a variety of tint colors and VLTs in a range of thicknesses from 4mm to 19mm.

All available in a wide selection of configurations to meet our clients' varied needs and applications.





# DIAMONDVIEW

Our DiamondView series is direct bond glass that offers a configurable opening option of a sliding or portlight design. The exposed edges of the glass are CNC polished in the visible areas to enhance its appearance and are then ceramic frit printed. The glass is then tempered inhouse in our tempering oven to ensure that all products meet our superior quality that our customers have come to expect. The end product has a sleek and refined finish that caters to our customer's needs.

DiamondView combined with our DiamondFrit offers greater visibility with an obstruction-free sightline. It's perfect for military patrol, commercial vessels, and leisure yachts applications.

## KEY FEATURES

### **6mm, 8mm or**

### **10mm tempered glass**

Clear, or from our selection of available tint options

### **Ceramic enamel frit**

special requests considered various dot matrix.

### **Customizable**

shapes and sizing

---

### **visually appealing**

wrap around glass.

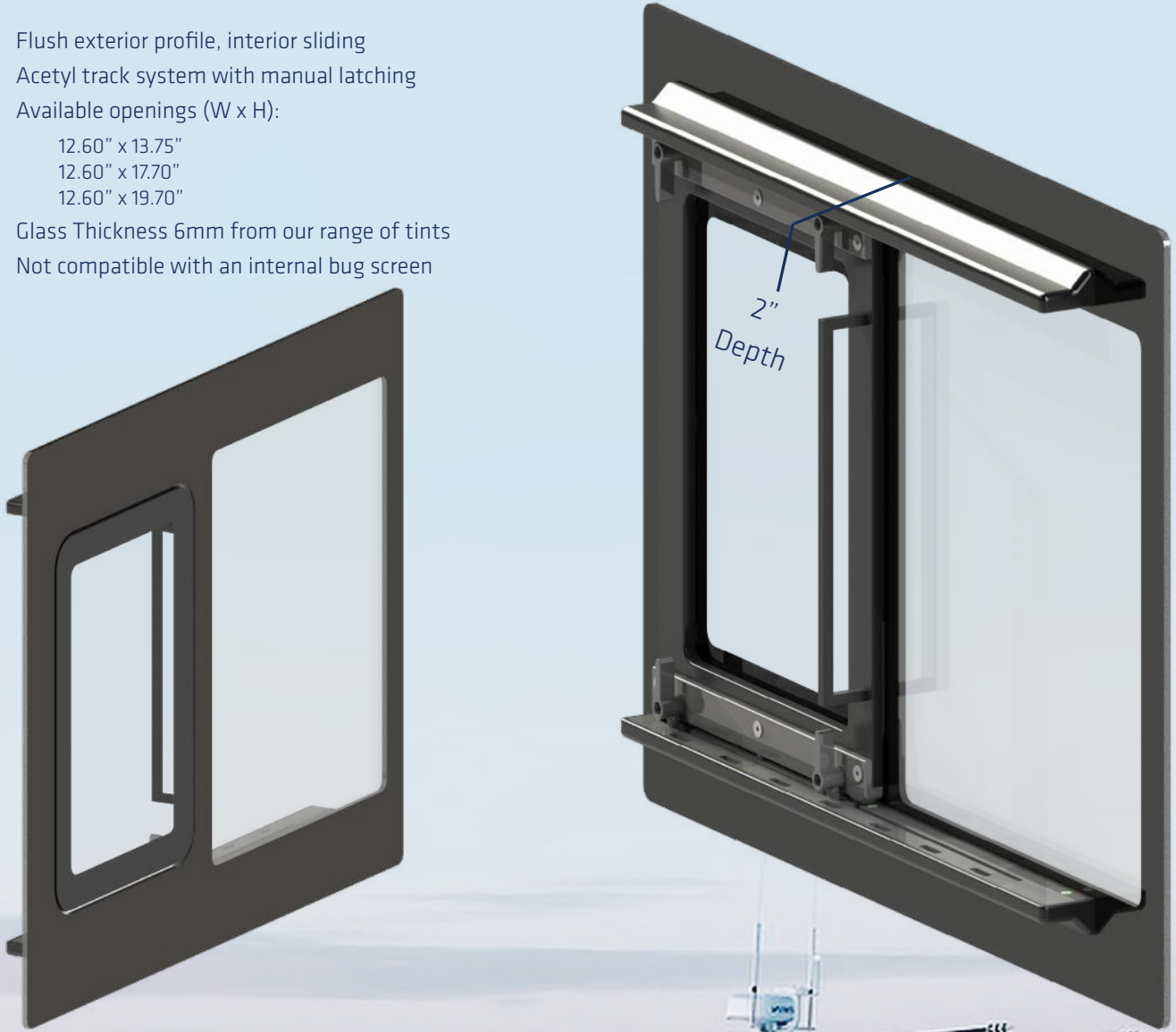
### **Wide selection of window openings**

to meet customer requirements

## DIAMONDVIEW

### DV102

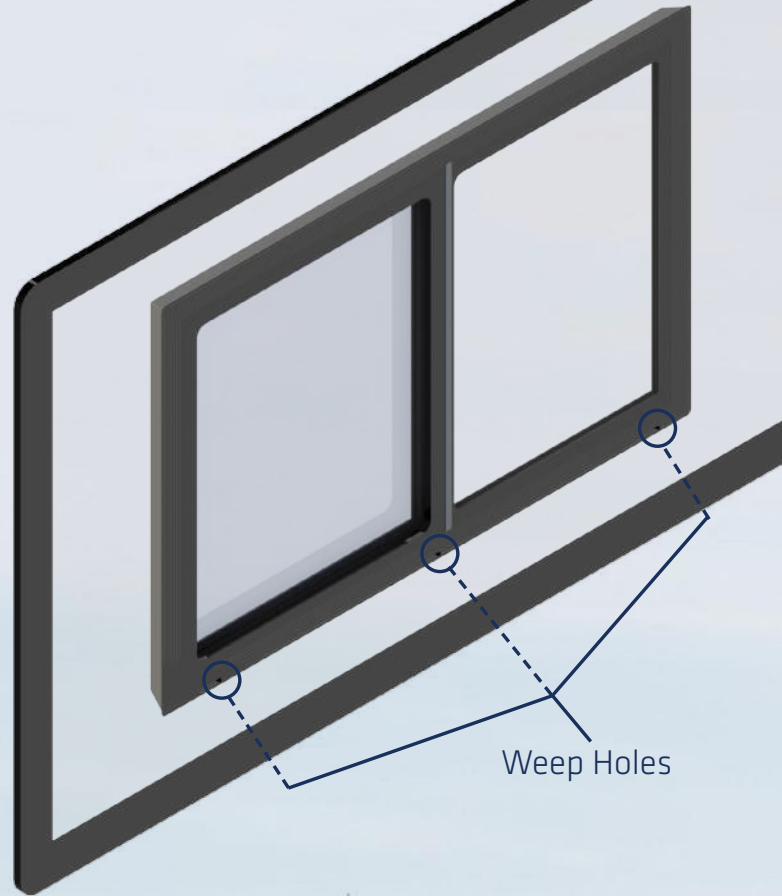
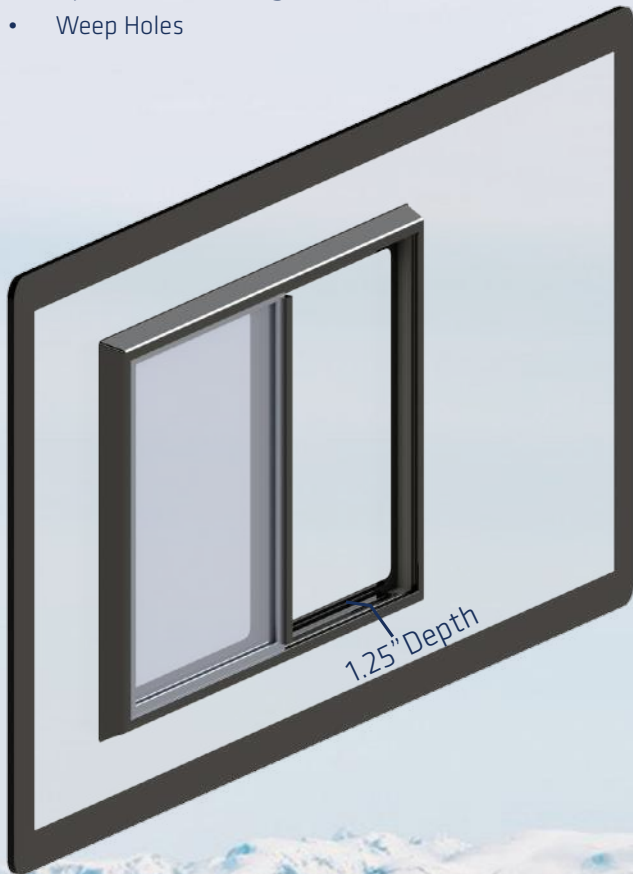
- Flush exterior profile, interior sliding
- Acetyl track system with manual latching
- Available openings (W x H):
  - 12.60" x 13.75"
  - 12.60" x 17.70"
  - 12.60" x 19.70"
- Glass Thickness 6mm from our range of tints
- Not compatible with an internal bug screen



## DIAMONDVIEW

### DV103

- Non-flush interior sliding
- Aluminum frame, black powder coat
- Opening sizes configurable
- 6mm and 8mm glass available
- Range of tints
- Optional internal bug screen
- Weep Holes

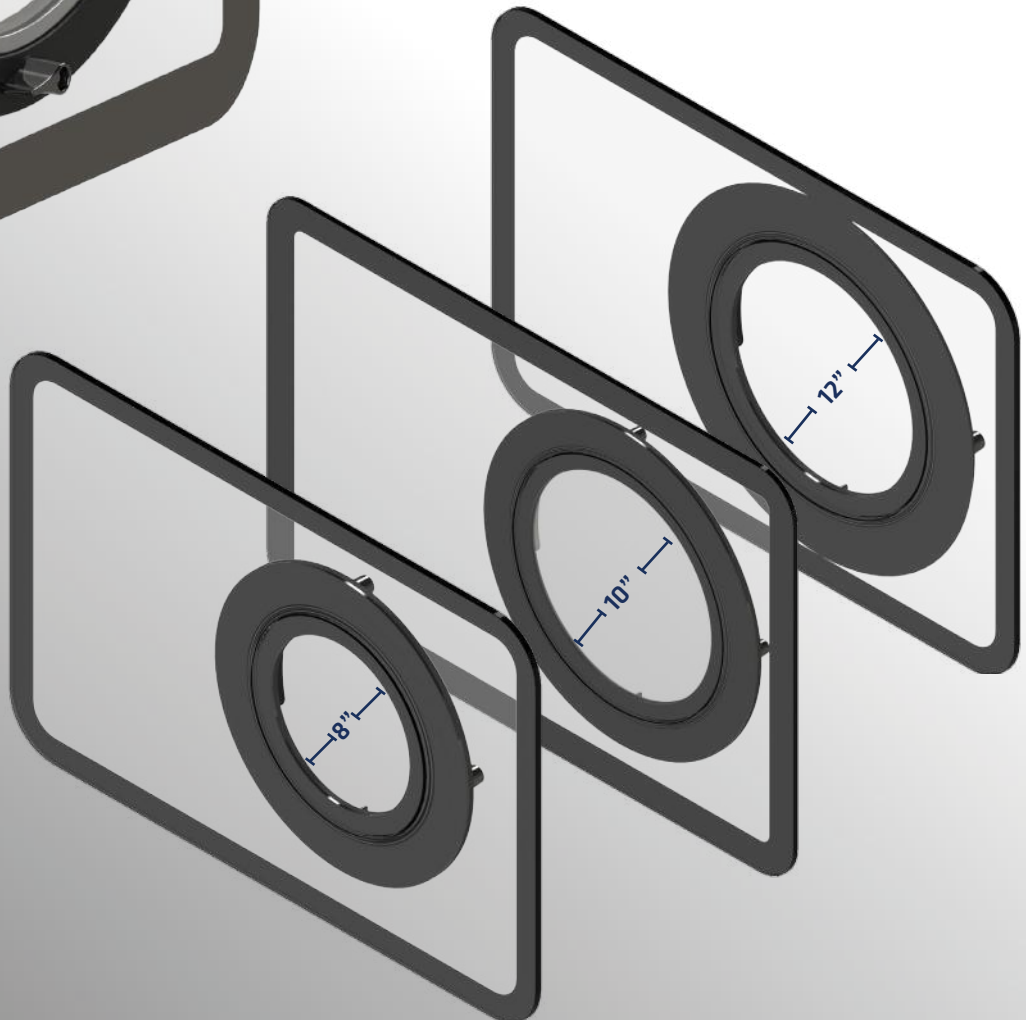
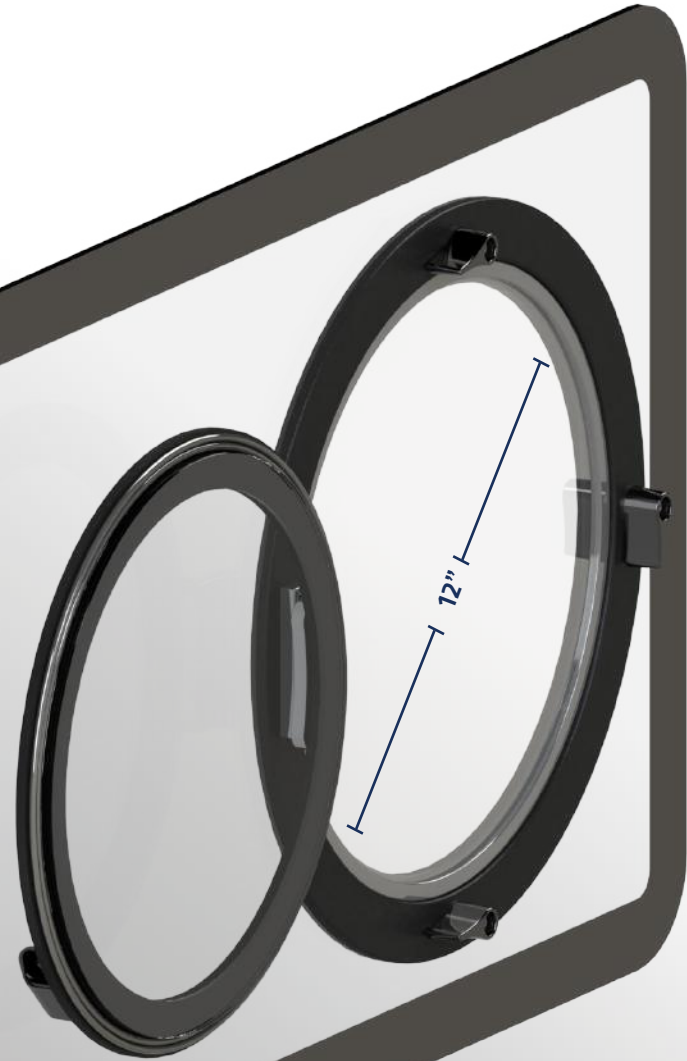


## DIAMONDVIEW

### DV200 SERIES

**Direct bond window with a round portlight**

- Portlight opening:
  - 8" diameter
  - 10" diameter
  - 12" diameter
  - Custom
- Flush exterior profile
- 6mm, 8mm and 10mm glass available from our range of tints
- Injection molded dogs
- Stainless Steel black friction hinge
  - Hinge position located as per customer request

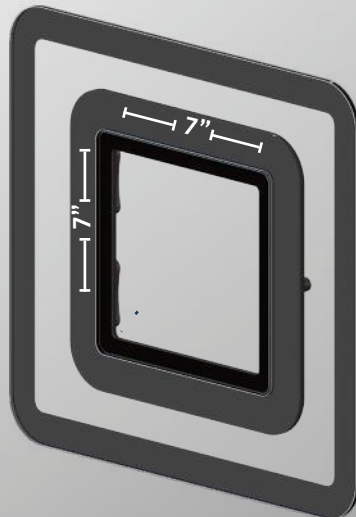
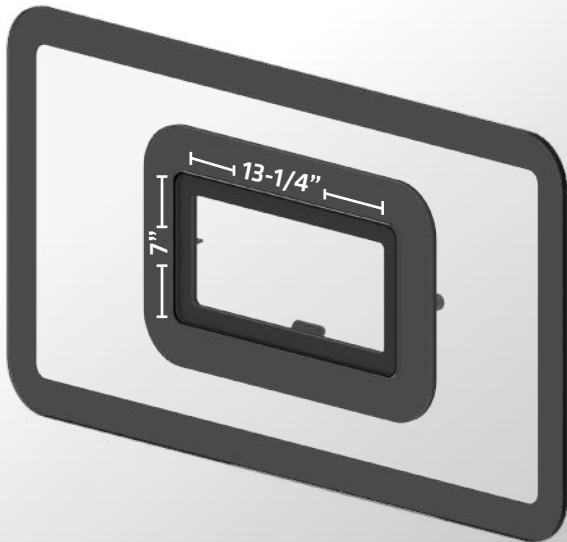
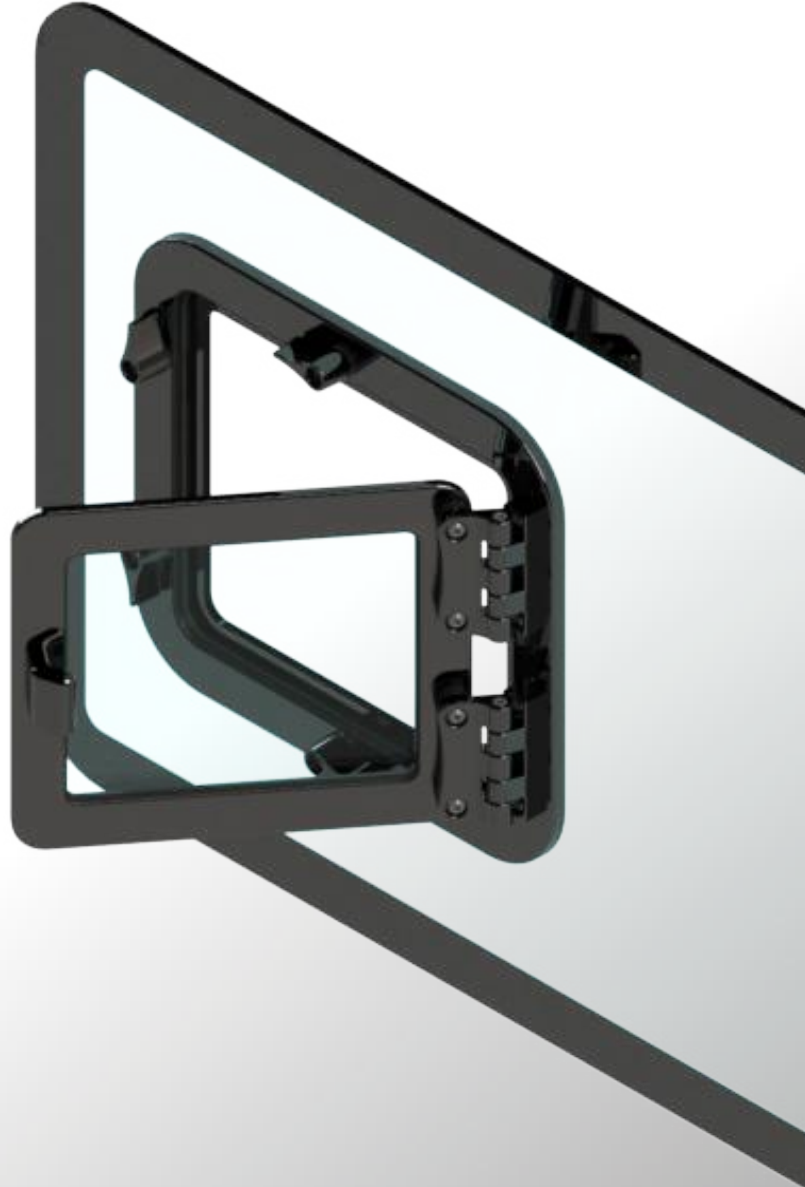




## DV300 SERIES

**Direct bond window with a square or rectangular portlight**

- Portlight opening:
  - 7" x 7" Square
  - 7-1/2" x 13-1/4" Rectangle
  - Custom
- Flush exterior profile
- 6mm, 8mm and 10mm glass available from our range of tints
- Injection molded dogs
- Stainless Steel black friction hinges
  - Hinge position located as per customer request





# DIAMONDFRIT

The fritted or bonded window concept is a proven, highly effective glass option. The automobile industry uses the concept, referring to it as “direct glazing”.

DiamondFrit windows are bonded directly to the structure with a high strength elastic adhesive. Fritted glass windows are used in commercial and pleasure marine applications as well as in heavy equipment applications. The substrate can be composite, aluminum or steel.

## BENEFITS

### Stability

The high elasticity of the bond seal maintains strength and durability, ensuring your window's performance under wave impact, thermal movements and the dynamic stress encountered in marine use.

### Long Life

Borders consisting of a special ceramic high-density formulation are digitally printed onto the glass and baked in our tempering oven.

The ceramic frit border covers and protects the bond from the sun's UV rays, extending the look and life of your windows.

### Designed to your Spec

Diamond Sea Glaze ceramic frit marine closures are available in various tints, tempered or laminated in flat, curved or heated configurations and delivered to your specifications.

## IN HOUSE CAPABILITIES - DIGITAL CERAMIC PRINTER

All Frit is printed and tempered in house using our Digital Ceramic Printer enabling us to ensure a high quality border for direct bond products and where necessary print dot matrix and customer logos to glass work.

Glass thickness - 4mm to 19mm

Minimum size - 8" x 8"

Max Glass width - 59"

Max Glass length - 118"

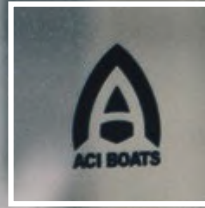
Available in standard black print



# DIAMONDFRIT FEATURES

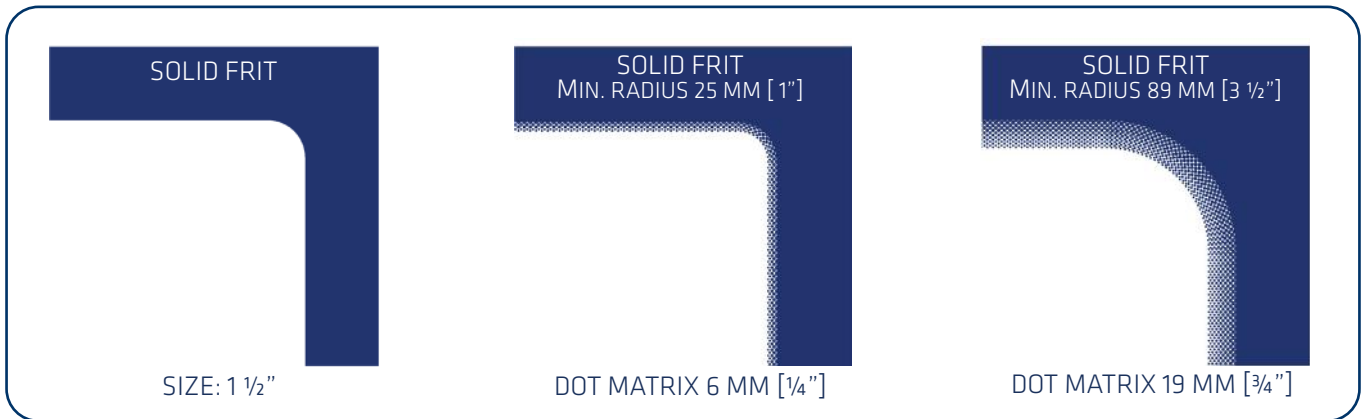


DOT MATRIX



CUSTOMER LOGO

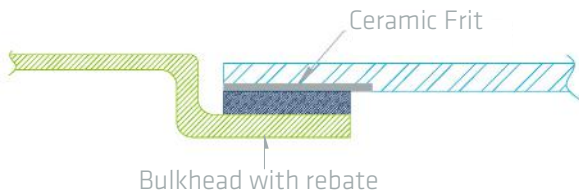
## CERAMIC FRITTING



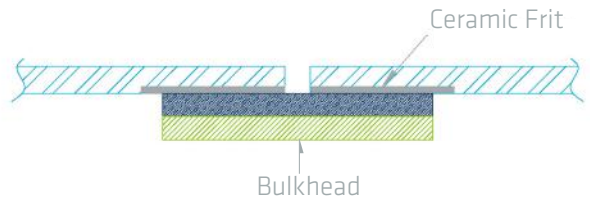
## INSTALLATION EXAMPLES\*

\*Bond lines, thickness and gaps determined by adhesive manufacture

"Flush" Installation



"Non-Flush" Installation

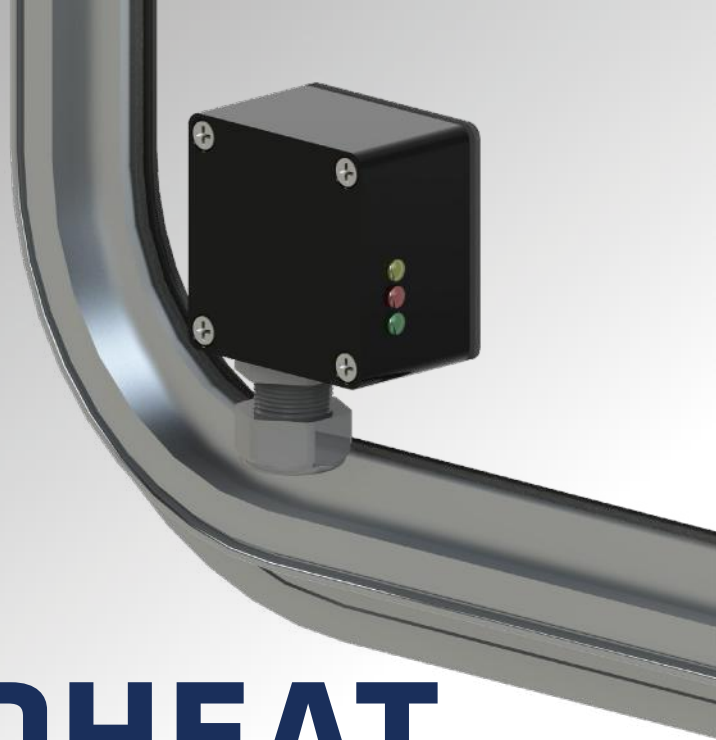


**DIRECT BOND ADHESIVES**

**SIKA, DOW AND BOSTIK**

SCAN THE QR CODES FOR MORE INFO





# DIAMONDHEAT

Diamond Sea Glaze offers electrically heated glass for marine and heavy equipment closures. DiamondHeat glass significantly improves visibility in severe weather for fog-free navigation and comfort. Ideal for tugs, fishing boats, military or any commercial craft or heavy-duty equipment that operates in extremely cold or damp environments.

DiamondHeat is easy to install into a selection of our framed windows or combined with DiamondFrit for a direct bond installation. Whether you are constructing a new vessel or retrofitting, consider the installation of DiamondHeat windows for safety.

## KEY FEATURES

### Direct Glaze or Framed Windows

**3 LED Status Indicators**

**Supply Voltage**  
115 VAC

### Solid State Thermostat with Redundant Safety Control

**Maintenance-Free**

**All Glass Conforms to:**  
ATSM-C-1048/CAN-CGSB-12.2 M91 optical standards and ANSI-C97.1/CAN-CGSB-12.1 M90 safety glass tempered and laminated standards.

### Laminated, Tempered Glass

**Choice of Thickness**

**Clear or Tinted**

# HEATING AREA

In order to provide even heating across the heated area, the heating area must be rectangular. This means that for rectangular windows, the majority of the window will be heated, but for irregular shaped windows there may be some non-heated areas, as shown in Figure 1 in the green areas.



Figure 1: Heated Areas

# THERMOSTAT BOXES

DiamondHeat windows come with a thermostat box which regulates the power going to the window and incorporates the electrical connections that connect to the ship supply voltage. There are 2 versions: the Low Amp Thermostat (2-6 Amp) and High Amp Thermostat (6-10 Amp), as shown below in Figure 2. The High Amp Thermostat has heat distribution fins to dissipate the heat produced from the current draw on the electronics and prevent overheating. The size footprint of the boxes are 2x2" and 2.5x3.25" for the Low Amp and High Amp Thermostat boxes respectively.

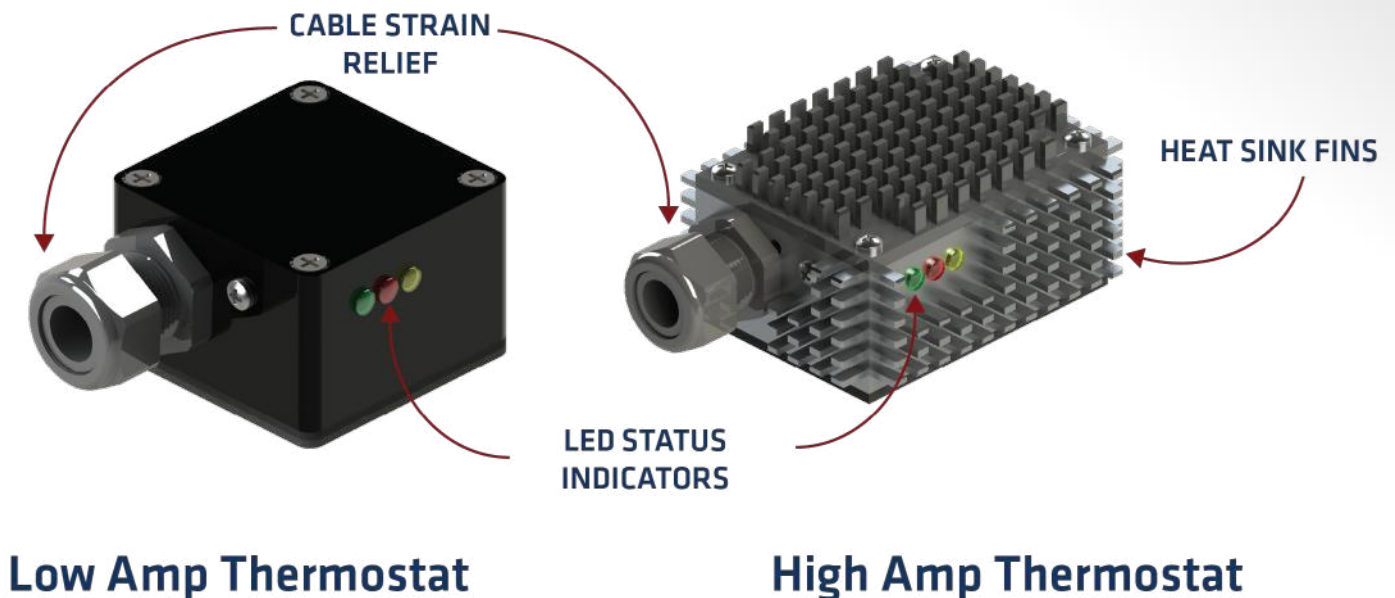


Figure 2: Thermostat Boxes

# DIAMONDTEMP

Our DiamondTemp is utilized in areas where strength, safety, and thermal resistant properties are required. Utilizing the latest advanced technology guaranteeing a high-quality finish, our on-site glass experts put the annealed glass through our Tempering Furnace. The process heats and cools the glass in such a way that it alters its molecular structure, to increase strength, thermal shock resistance, and the safety of the glass itself. Tempered glass also has an increased ability to withstand heat over annealed glass. Available across all of our products in a wide selection of tints and thicknesses.

## KEY FEATURES

**Up To Five Times Stronger  
Than Annealed Glass**

**Can Withstand High  
Temperature Changes  
Of Up To 250°C**

**Does Not Change Any  
Of The Visual Qualities  
Of The Glass**

Such As Solar Radiance  
And Light Transmission

**Considered Safety Glass  
And Is Very Difficult To Break**

If The Glass Is Broken, It Shatters Into  
Pebbles Reducing The Risk Of Serious Injury.

**Conforms To The Following  
Consumer Product Safety  
Commission Standards**

(Cpsc 16 Cfr 1201 Category Ii) And  
The American National Standards  
(Ansi Z 97.1 2015 (Sgcc),  
Iso 614 And Iso 21005

**Ranging From 4mm To 25mm Glass**

Our On Site Tempering Capabilities  
Means That We Can Temper A Range  
Of Thicknesses To Meet Your Needs

**Available In A Range Of  
Tints And Different \*VLT's.**

Tint Colours Held Are Green, Grey, Bronze,  
Clear, And Opaque Options Where  
Additional Privacy Is A Requirement

### IN-HOUSE TEMPERING CAPABILITIES:

Glass Thickness: Minimum 4mm, Maximum 19mm

Maximum Glass Size: 59" wide, 118" Long

Minimum Glass Size: 3.14" wide, 8.26" Long

*Where customer requirements exceed our in house capabilities we have a range of vendors we work with in order to fulfill our customers varied project needs.*



# DIAMONDLAM

Our DiamondLam glass has routinely been utilised across a number of industries from automotive to architectural glass in applications where safety and security are required. Our DiamondLam glass is constructed of 2 pieces of annealed or tempered glass permanently bonded together with interlayers of Ethylene Vinyl Acetate (EVA). Constructed on site from our wide range of glass types and tints by our glass experts, the process utilises heat and pressure to create a single permanently bonded pane. The interlayer keeps the layers of glass bonded even when broken, increasing the safety and security of your windows.

## KEY FEATURES

**Even when broken,  
glass fragments adhere  
to the PVB interlayer  
reducing the risk  
of injury**

**Laminated glass is more secure**  
as when broken the window  
maintains its structural integrity  
helping prevent forced entry

**By laminating glass, it increases  
its sound isolation performance,  
diminishing unwanted noise**

**Utilized across all our  
DiamondHeat products**

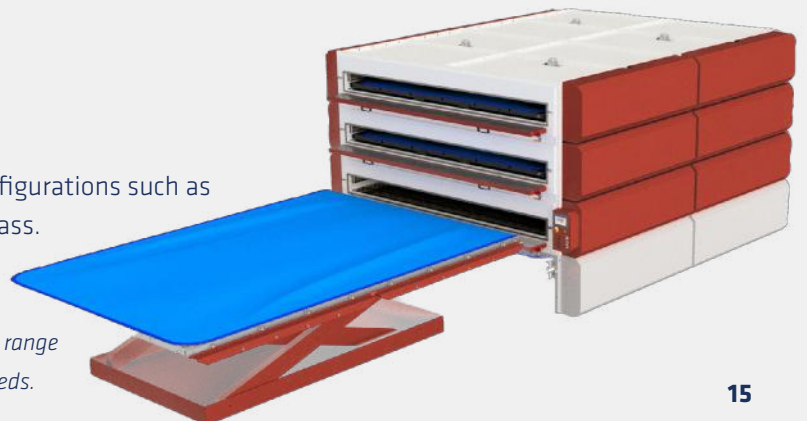
**Can be constructed using 2 pieces  
of tempered glass where additional  
security is required**

### IN-HOUSE LAMINATING CAPABILITIES:

Maximum Glass Sizes:  
78" Wide, 118" Long  
Max Glass Weight 1763Lbs

We produce laminated glass in a varied range of sizes and configurations such as laminated annealed glass or ultra safe tempered laminated glass.

*Where customer requirements exceed our in house capabilities we have a range of vendors we work with in order to fulfill our customers varied project needs.*



# INSULATED GLASS

Whether you're cruising coastal waters or operating offshore, our Insulated Glass Units will help increase the comfort of your onboard experience and will enhance your vessels thermal efficiency.

An Insulated Glass Unit (IGU) commonly consists of two or more panes of glass, separated by a structural foam spacer. The desiccant spacer, a moisture-absorbing material, prevents condensation within the sealed unit. Between the glass panes lies a sealed airspace providing better insulation that reduces heat transfer, keeping your vessel cool in the summer months and preventing heat loss in cold climates.

## KEY FEATURES

### ADVANCED THERMAL INSULATION

Maintain ideal temperatures regardless of external conditions.

Enjoy year-round comfort with superior thermal efficiency.

### CONDENSATION RESISTANCE

Reduces foggy windows and maintain clear views.

Prevent mold and mildew for a healthier onboard environment.

### CUSTOMIZABLE OPTIONS

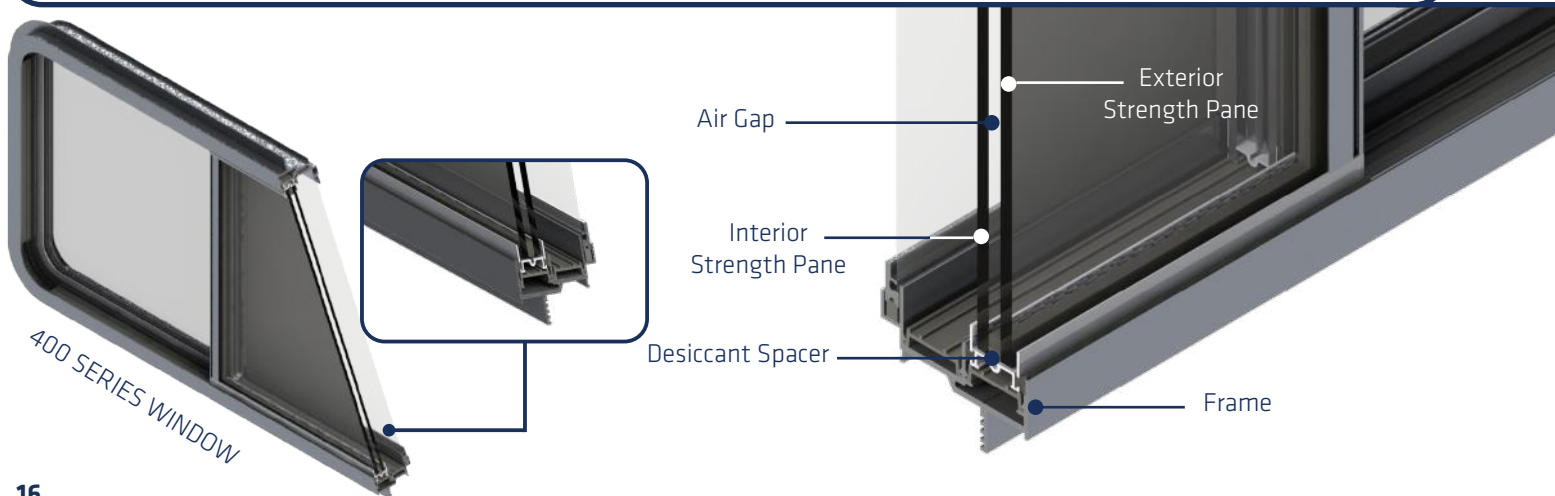
Custom built to fit your vessel's specifications.

Choose from various sizes, shapes, and tint options.

Direct bond or framed applications

### SAFETY AND SECURITY

Tempered or Laminated Impact-resistant glass options for enhanced safety.





\*TREATED

UNTREATED

# ENDURO SHIELD

HYDROPHOBIC GLASS TREATMENT

EnduroShield uses state-of-the-art nanotechnology to transform automotive glass into a high performance, ultra-long lasting water repellent surface. This non-stick, invisible shield turns rainwater and external particles into beads, reducing surface adhesion so the surface stays cleaner for longer.

Unlike traditional coatings which need to be regularly reapplied in order to maintain their ability to repel, EnduroShield is ultra-long lasting, giving you better visibility for much longer

## KEY FEATURES



### EASY TO CLEAN & DURABILITY TESTED

Tempered or Laminated Impact-resistant glass options for enhanced safety.

- UV resistance
- Chemical resistance
- Temperature shock resistance
- Mechanical resistance
- Adhesive properties



### REPELS STAINS

Guards against salt & rust - while providing clear visibility for up to 1 year with regular maintenance and cleaning.

### INCREASED SAFETY & PERFORMANCE

Using EnduroShield on ship windows is crucial for safety and performance. EnduroShield creates a protective layer that repels rain water and reduces the need for wipers. This improves the visibility of the captain and crew in wet weather conditions, allowing them to navigate more effectively and avoid hazards.

\*The image shown in this advertisement is not a real representation of the product. It was digitally altered to demonstrate how the product works and what benefits it can offer. Please refer to the product manual and the official website for more information and testimonials. This image is for illustrative purposes only and does not intend to mislead or deceive the consumers.

DIAMOND SEA GLAZE

# WINDOWS

BOAT WINDOWS BUILT TO WITHSTAND SEVERE CONDITIONS

No leaks, no blow-outs, smooth operation, and excellent visibility is what boat owners have come to expect from Diamond Sea Glaze windows.



INTERNAL  
BUG SCREEN

# D SERIES WINDOW

## STANDARD DUTY

The D Series boat windows are durable, cost efficient aluminum framed windows. All D Series boat windows are available with mitered corners or with a 2-1/2", 3" or 3-1/2" corner radius. All windows are custom built to your specifications with finish options including anodized aluminum or a choice from our selection of hard-coat anodizing, in-house durable powder coat finish or premium yacht coatings.

### FEATURES

- Clamp-In or Bolt-in installation
- Wall thickness range for clamp in 1/8" to 3-7/8"
- 1/4" glass for D5 and D15 products
- 3/8" Available with D5/10 Fixed
- DiamondTemp or DiamondLam Glass
- Standard or Custom Sizes & Shapes
- Non-Class Applications

### CONFIGURATIONS

- D5 – Fixed Window
- D5/10 – Fixed Window
- D15 – Sliding Window  
(Forward panel sliding Aft)
- D15RS – Rear Sliding Window  
(Aft panel sliding Forward)
- D15XX – Double Sliding Window
- D15T – Fixed portion top or bottom, with a built in sliding window  
(not available with a 2.5" radius)
- D15HD – Half Drop Window



# 106 SERIES WINDOW

## COMMERCIAL DUTY

The 106 Series boat windows are commercial duty closures designed for inshore/offshore use on commercial vessels and pleasure craft. Made from marine grade aluminum these rugged windows will stand up to the toughest elements for years to come. Offered in a variety of configurations – fixed, sliding, and hinged, the 106 Series frames are designed to accommodate glass up to 1/2" with our various glazing options.

All frames are available with mitered corners or 3" radius corners.

All windows are custom built to your specifications with finish options including anodized aluminum or a choice from our selection of hard-coat anodizing, in-house durable powder coat finish or premium yacht coatings.

### FEATURES

- Clamp-In or Bolt-in installation  
Wall thickness range for clamp in 3/16" to 4-5/16"
- Glass Thickness (1/4", 3/8" or 1/2")
- DiamondHeat Compatible
- DiamondTemp or DiamondLam Glass
- Standard or Custom Sizes & Shapes
- Non-Class & Class Applications

### CONFIGURATIONS

- 106F - Fixed
- 106S - Sliding  
(Forward panel sliding Aft)
- 106RS - Rear sliding  
(Aft panel sliding Forward)
- 106HD - Half Drop
- 106FD - Full Drop
- 106TV - Top Vent
- 106BV - Bottom Vent
- 106TH - Top Hinged



# 150 SERIES WINDOW

## MEDIUM DUTY

The 150 Series boat windows are manufactured with a stout but refined profile making the 150 Series frame ideal for yachts and passage makers that frequent offshore waters.

All 150 Series windows are available with mitered corners or with a 4" corner radius.

All windows are custom built to your specifications with finish options including sanded aluminum finish or a choice from our selection of hard-coat anodizing, in-house durable powder coat finish or premium yacht coatings

### FEATURES

- Clamp-In or Bolt-in installation  
Wall thickness range 7/8" to 5-11/16"
- Glass Thickness 1/4" to 3/4"
- DiamondHeat compatible
- DiamondTemp or DiamondLam Glass
- Insulated Glass Unit Compatible
- Optional Electric Powered Full Drop
- Standard or Custom Sizes & Shapes



# 400 SERIES WINDOW

## COMMERCIAL DUTY

The 400 Series windows are commercial duty closures designed for inshore/offshore use on commercial vessels and pleasure craft. Made from marine grade aluminum these rugged windows will stand up to the toughest elements for years to come.

All 400 Series windows are available with mitered corners or with a 3" corner radius. All windows are custom built to your specifications with finish options including anodized aluminum or a choice from our selection of hard-coat anodizing, in-house durable powder coat finish or premium yacht coatings.

### FEATURES

- Clamp-In or Bolt-in installation  
wall thickness range for clamp ring  
1/8" to 4-3/4"
- Glass Thickness 5/8" to 13/16" Fixed Windows
- Glass Thickness 1/2" to 13/16" Sliding Windows
- DiamondHeat Compatible
- DiamondTemp or DiamondLam Glass
- Insulated Glass Unit Compatible
- Optional Electric Powered Full Drop
- Standard or Custom Sizes & Shapes



# 600 SERIES WINDOW

## MEDIUM DUTY, COMMERCIAL

The 600 Series window is a rugged, medium duty commercial grade window that is custom designed to accommodate a wide variety of glass thicknesses. The 600 Series can be welded or bolted in place to withstand years of commercial use.

All 600 Series boat windows are available with mitered corners or a 4" corner radius standard.

All windows are custom built to your specifications with finish options including sanded aluminum finish or a choice from our selection of hard-coat anodizing, in-house durable powder coat finish or premium yacht coatings.

### FEATURES

- Bolt-in & Weld-In installation
- Top hinged configuration Available
- Glass Thickness 1/4" to 1" Fixed
- Glass Thickness 1/4" to 1/2" Full Drop Slider
- DiamondHeat Compatible
- DiamondTemp or DiamondLam Glass
- Insulated Glass Unit Compatible
- Optional Electric Powered Full Drop
- Standard or Custom Sizes & Shapes



# BRONZE SERIES WINDOW

## COMMERCIAL DUTY

The Bronze Series boat windows are commercial duty closures designed for inshore/offshore use on commercial vessels. Bronze windows are available in either a fixed, sliding, or full drop configuration. Custom fabricated to your specifications, the bronze extrusion puts to rest any worries of corrosion.

All Bronze Series boat windows are available with mitered corners.

All windows are custom built to your specifications with extruded mill finish.

### FEATURES

- Bolt-In Installations
- Glass Thickness 1/4" to 1/2" B100F & B100FD
- Glass Thickness 5/8" to 7/8" B400F
- DiamondHeat Compatible
- DiamondTemp or DiamondLam Glass
- Optional Electric Powered Full Drop
- Standard or Custom Sizes & Shapes



# HEAVY-DUTY STEEL

The 300 Series of windows are rugged, heavy-duty commercial grade windows that are custom designed to accommodate a wide variety of glass thicknesses. The 300 Series have both weld-in or bolt-in options to suit your application and to withstand years of commercial use.

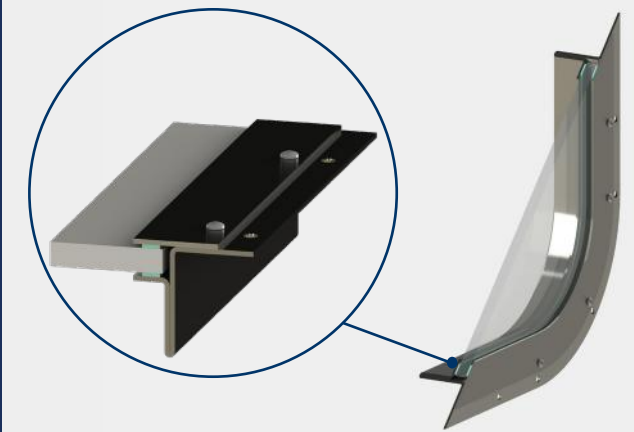
All 300 Series boat windows are available with mitered corners or a 4" corner radius and are compatible with DiamondHeat, DiamondTemp, and DiamondLam products.

All windows are custom built to your specifications with finish options including sanded stainless or a choice from our selection of in-house durable powder coat finish or Premium Yacht Coatings. All heavy-duty steel windows are compression glazed.

## 320 SERIES

### FEATURES

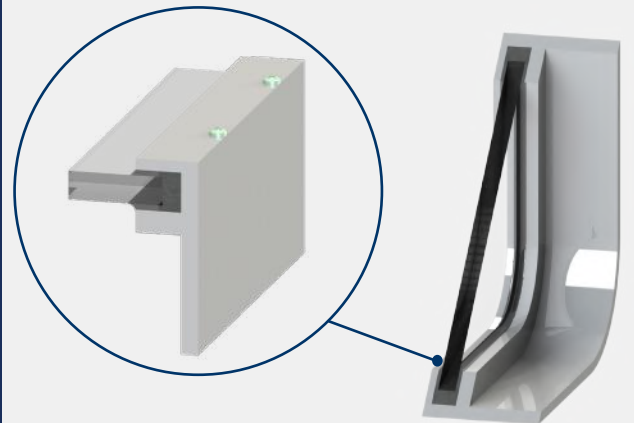
- Fixed or sliding window.
- Bolt-In Installation
- Glass Thickness 1/4" to 1" Fixed
- Glass Thickness 1/4" to 1/2" Sliders
- Optional Electric Powered Full Drop
- Standard or Custom Sizes & Shapes
- Non-Class & Class Applications
- Constructed from 316 stainless steel



## 330 SERIES

### FEATURES

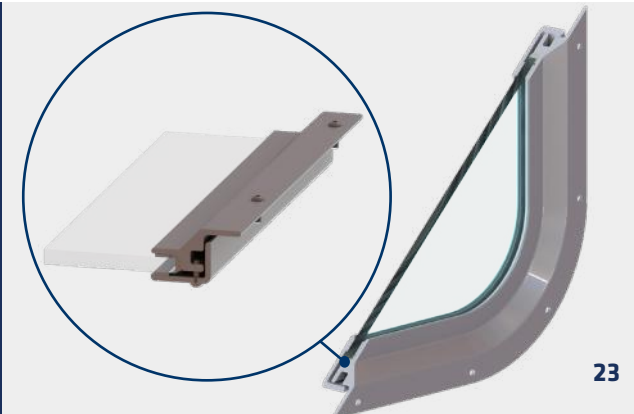
- Fixed or Full Drop window
- Optional Electric Powered Full Drop
- Weld-In Installation
- Glass Thickness 1/4" to 1-1/8" Fixed
- Glass Thickness 1/4" to 1/2" Sliders
- Standard or Custom Sizes & Shapes
- Non-Class & Class Applications
- Constructed from 316 stainless steel



## 340 SERIES

### FEATURES

- Fixed window only
- Bolt-In or weld-in Installation
- Glass Thickness 1/4" to 1-1/8" Fixed
- Standard or Custom Sizes & Shapes
- Non-Class & Class Applications
- Constructed from 316 stainless steel



DIAMOND SEA GLAZE

# DOORS

**BOAT DOORS BUILT WITH STRENGTH AND STYLE IN MIND**

Since our inception, we have been focused on designing and manufacturing robust boat doors that can withstand the most severe conditions. From oil rigs or fishing fleets, to tug boats and commercial charters, yachts to patrol boats and passenger vessels, Diamond Sea Glaze marine closures provide strength without sacrificing style.

DOOR CATCH





# 55 SERIES DOOR

## LIGHT DUTY, SINGLE PANEL

55 Series doors are the optimal choice for smaller boats operating on inland or coastal waters. The 55 is available with full length glass or as a solid panel non-insulated door.

Door frames are available with either mitered corners or a standard 3 1/2" radius with a wide selection of finishes that include standard mill finish, in-house durable powder coat finish or premium yacht coatings.

### FEATURES

- Full glass with our DiamondFrit
- Available as a solid 1/4" aluminum panel
- Various Window Sizes and Tints Available
- Standard TrioVing or Mobella Lock Assemblies
- Stainless Steel Butt Hinges 3" x 3"
- Bolt-In or Clamp-In installation  
1/8" to 4-9/16" wall thickness



# 150 SERIES DOOR

## LIGHT DUTY, SINGLE LEAF ALUMINUM WEATHERTIGHT DOOR

150 series doors are light duty insulated commercial closures designed for offshore use. Made from marine grade aluminum construction with rigid inner core insulation. Door frames are available with either mitered corners or a standard 3-1/2" radius. Offered with a wide selection of finishes that include standard mill finish, in-house durable powder coat finish or premium yacht coatings.

### FEATURES

- TrioVing Locksets
- Stainless Steel Butt Hinges 4" x 4"
- Individual Black Nylon Dogs
- Neoprene Gasket
- Bolt-In or Clamp-In installation 1/16" to 4 5/16" wall thickness
- Satin or Polished Hardware Available
- Additional Hardware Options  
Louver, Hold open, Locking Dog, Door Closer, Bridge sensors



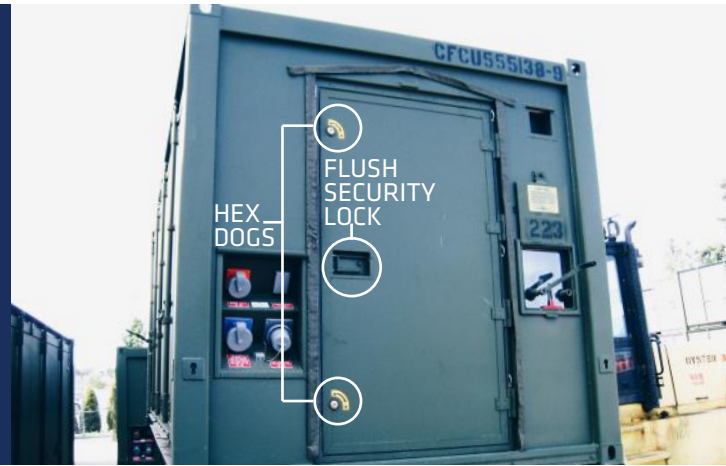
# 200 SERIES DOOR

## COMMERCIAL DUTY, SINGLE PANEL

Diamond Sea Glaze Series 200 doors are standard duty or commercial duty closures designed for offshore use. Made from marine grade aluminum construction with rigid inner core insulation. Door frames are available with either mitered corners or a standard 4" radius. Offered with a wide selection of finishes that include standard mill finish, in-house durable powder coat finish or premium yacht coatings.

### FEATURES

- TrioVing Locksets
- Surface Hinge
- Knife Edge Sealing
- Individual Dogs
- Neoprene Gasket
- Satin or Polished Hardware Available
- Additional Hardware Options  
Louver, Hold open, Locking Dog, Door Closer,  
Bridge sensors, Internal Panic Hardware, Recessed  
Lock Box



# 200 DOOR HATCH COMBO

## STANDARD DUTY, SINGLE LEAF ALUMINUM WEATHERTIGHT DOOR

Series 200 Door Hatch Combo is a standard duty commercial closures designed for offshore use. Made from marine grade aluminum construction with rigid inner core insulation. Door frames are available with either mitered corners or a standard 4" radius. Offered with a wide selection of finishes that include standard mill finish, in-house durable powder coat finish or premium yacht coatings.

### FEATURES

- TrioVing Locksets
- Surface Hinge
- Knife Edge Sealing
- Individual Dogs
- Neoprene Gasket
- Satin or Polished Hardware Available
- Additional Hardware Options  
Louver, Hold open, Locking Dog, Door Closer,  
Bridge sensors



# 250 SERIES DOOR

Series 250 doors are standard duty commercial closures designed for offshore use. Made from marine grade aluminum construction with rigid inner core insulation. Door frames are available with either mitered corners or a standard 4" radius. Offered with a wide selection of finishes that include standard mill finish, in-house durable powder coat finish or premium yacht coatings. Frame options including aluminum bolt-in, aluminum clamp-in, 316L weld-in, aluminum inward opening & 316L bolt-in flanged frame.

## 250 SINGLE DOOR

STANDARD DUTY, SINGLE LEAF ALUMINUM WEATHERTIGHT DOOR

### FEATURES

- TrioVing Locksets
- Stainless-Steel Butt Hinges 4" x 4"
- Satin or Polished Hardware Available
- Individual Dogs available in:  
Nylon or Stainless (Polished, Painted or Powder Coated)
- Neoprene Gasket
- Non-Class and Class Doors
- Additional Hardware Options  
Louver, Hold open, Locking Dog, Door Closer, Bridge sensors



## 250 FRENCH DOOR

STANDARD DUTY, FRENCH LEAF ALUMINUM WEATHERTIGHT DOOR

### FEATURES

- TrioVing Locksets
- Stainless-Steel Butt Hinges 4" x 4"
- Satin or Polished Hardware Available
- Individual Dogs available in:  
Nylon or Stainless (Polished, Painted or Powder Coated)
- Neoprene Gasket
- Non-Class and Class Doors
- Additional Hardware Options  
Louver, Hold open, Locking Dog, Door Closer, Bridge sensors



## 250 DUTCH DOOR

STANDARD DUTY, DUTCH LEAF ALUMINUM WEATHERTIGHT DOOR

### FEATURES

- TrioVing Locksets
- Stainless-Steel Butt Hinges 4" x 4"
- Satin or Polished Hardware Available
- Individual Dogs available in:  
Nylon or Stainless (Polished, Painted or Powder Coated)
- Neoprene Gasket
- Non-Class and Class Doors
- Additional Hardware Options  
Louver, Hold open, Locking Dog, Door Closer, Bridge sensors



# 300 SERIES DOOR

## STANDARD DUTY

The 300 Series of doors are standard duty, commercial or yacht closures designed for offshore use. Made from marine grade aluminum construction with rigid inner core insulation. Door frames are mitered corners with easy slide acetyl track system. Offered with a wide selection of finishes that include standard mill finish, in-house durable powder coat finish or premium yacht coatings.

The 300 Series is available as a fully glazed sliding door maximizing the natural light within your space, with glazing options from our extensive range of glass or for more commercial applications available as a double skinned insulated Aluminum door. Compatible with both our diamondTemp or DiamondLam glass with frit options utilising our DipTech Glass Jet Pro.

Diamond Sea Glaze 300 Series are custom configured to meet your needs.

### FEATURES

- Double Felt Seal
- Acetyl Track System
- Manual Hold-Open
- TrioVing or Mobella Lock Options
- Available with Fixed Sidelights
- 1/2 Glass or Full Glass
- Custom Window Sizing

### CONFIGURATIONS

- Single Sliding Panel
- Bi-Parting or Tandem
- One Sliding and One Fixed Panel
- Two Fixed Outer Panels With Sliding Bi-Parting Doors
- Knuckle Custom Shapes



# 300 CUSTOM

## STANDARD DUTY, SLIDING, SINGLE LEAF

Our 300 Series Custom Doors utilise all the same features and configurations as our standard 300 Series Door in conjunction with a full drop electrically powered window to create a contemporary, light and open feel to your vessel.

Custom stacking/pocketing options for sliding doors create a wide and open space maximising convenience, ventilation and natural light.

### FEATURES

- Double Felt Seal
- Acetyl Track System
- Manual Hold-Open
- TrioVing or Mobella Lock Options
- Available with Fixed Sidelights
- 1/2 Glass or Full Glass

### CONFIGURATIONS

- Combined with an electrically powered full drop or top hinge window to create a full aft bulkhead system
- Custom Shapes
- Various Configurations Considered

ELECTRIC OPERATED FULL DROP



# 360 SERIES DOOR

## HEAVY-DUTY

The 360 Series Doors are rugged, heavy-duty commercial grade, single leaf insulated Stainless Steel doors. Available in either weld-in or bolt-in or clamp-in installation to suit your application and to withstand years of commercial use.

All 360 Series doors are available with mitered corners or a 4" corner radius.

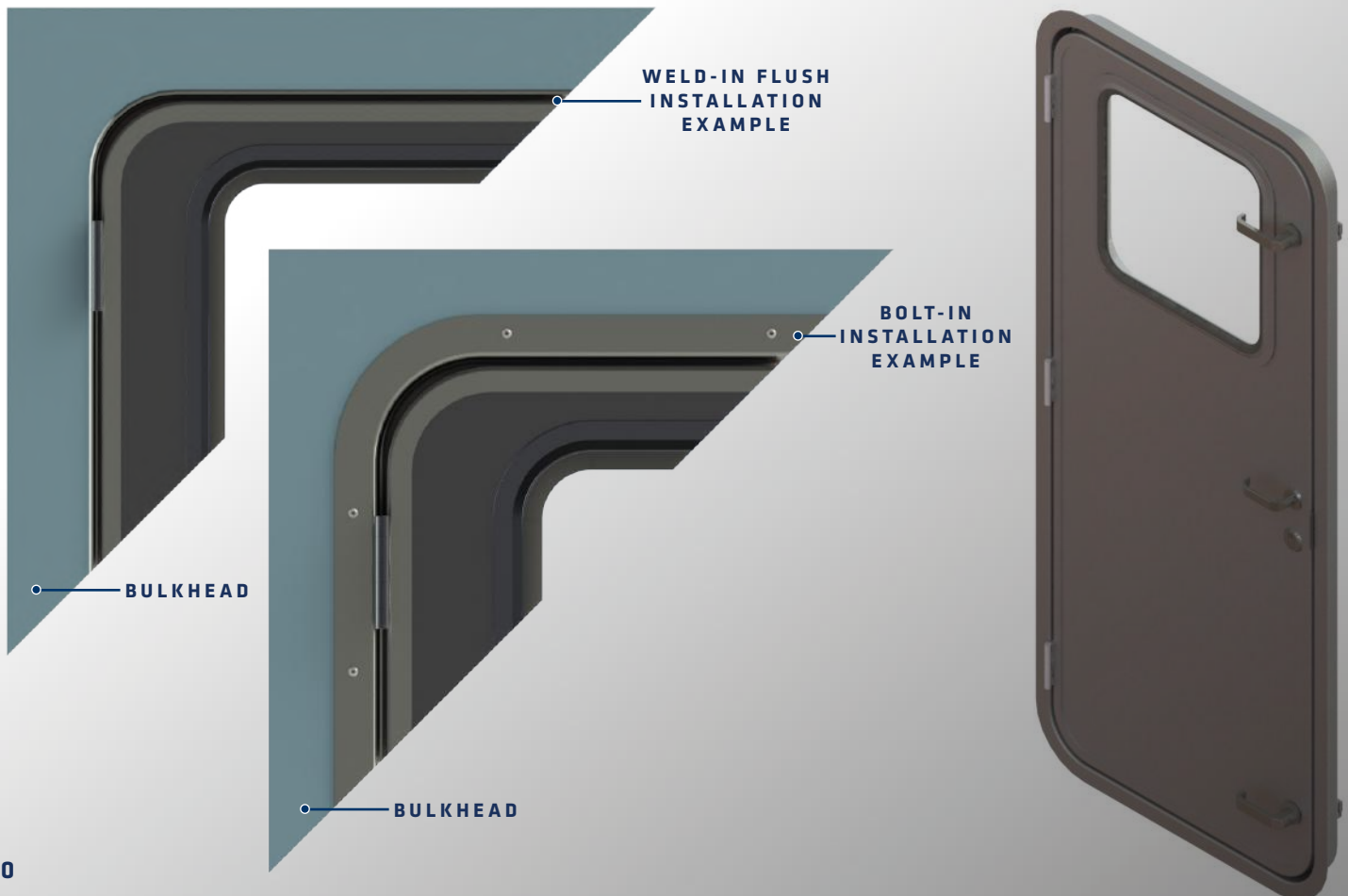
All closures are custom built to your specifications with a wide selection of finishes that include standard mill finish, in-house durable powder coat finish or premium yacht coatings.

### FEATURES

- Available in 304 & 316 Stainless steel
- Stainless-Steel Butt Hinges 4" x 4"
- Satin or Polished Hardware Available
- Individual Dogs available in:
  - Nylon or Stainless (Polished, Painted or Powder Coated)
- Neoprene Gasket
- Non-Class and Class Doors
- Additional Hardware Options
  - Louver, Hold open, Locking Dog, Door Closer, Bridge sensors

### CONFIGURATIONS

- Single Leaf
- Dutch leaf



# 500 SERIES

## STANDARD DUTY

The 500 Series standard duty glass door is our premium quality closure offering an aesthetically pleasing all glass design built to your specification to bring clarity of view and elegance to your vessel. Made from marine grade aluminum construction with a wide selection of finish choices that include standard mill finish, in-house durable powder coat finish or premium yacht coatings.

Weather tight closures available in a range of configurations to meet your applications requirements.



# 500 SERIES DOOR

## STANDARD DUTY

The 500 Series Door is an all glass weather-tight door available in range of configurations, providing perfectly unobstructed views for applications where maximum visibility is required.

Made from marine grade aluminum construction with a wide selection of finish choices that include standard mill finish, in-house durable powder coat finish or premium yacht coatings.

### FEATURES

- TrioVing Locksets
  - Bolt-In or Clamp-In Frame Option
  - Yacht Quality Finishes
  - Neoprene Gasket
  - Polished 316L Hardware
  - Additional Hardware Options
- Hold open, Door Closer, Bridge sensors

### CONFIGURATIONS

- Single panel
- Bi-fold panel
- Knuckle Hatch Combo





# 500 COMBO

## STANDARD DUTY

The 500 Series combo combines all the features and configurations of the 500 series door with the addition of a top hinge or full drop window, providing perfectly unobstructed views and creating a seamless transition from your vessels inside space to the outside.

Made from marine grade aluminum construction with a wide selection of finish choices that include standard mill finish, in-house durable powder coat finish or premium yacht coatings.

### FEATURES

- TrioVing Locksets
- Bolt-In or Clamp-In Frame Option
- Yacht Quality Finishes
- Neoprene Gasket
- Polished 316L Hardware
- Additional Hardware Options  
Hold open, Door Closer, Bridge sensors

### CONFIGURATIONS

- Door
  - Single Panel
  - Bi-Fold Panel
- Window
  - Top Hinge Window  
(Gas Shock or Electrically Actuated)
  - Powered Full Drop Window
  - Manual Full Drop



Electrically Actuated

DIAMOND SEA GLAZE

# SKY LIGHTS

ELEVATE YOUR MARITIME EXPERIENCE

Experience maritime design and innovation at its finest with the Diamond Sea Glaze Sky Light. Elevate the ambiance and aesthetics of your vessel, allowing natural light to cascade through and illuminate your space, while embracing the endless horizons above. Crafted with meticulous attention to detail, our Sky Light showcases a harmonious blend of form and function. Designed to seamlessly integrate into your vessel's structure, its durable construction ensures long-lasting performance, weather resistance, and optimal functionality in diverse maritime environments.

## FEATURES

- Clamp-In or Bolt-in application
- Glass Thickness 1/4" or 3/8"
- Sliding or Hinged operation
- Whisper quiet acetyl track
- Interior Latch
- Full open or partial open track position
- Non-Classed

DIAMOND SEA GLAZE

# HATCHES

HATCHES BUILT FOR GENERATIONS

The Diamond Sea Glaze 200 Series boat hatch is a standard duty hatch design, typically with glass panel for visibility. 200 Series hatches are available in custom sizing and shapes to fit your requirements. 200 Series boat deck hatches are available with DiamondTemp, DiamondLam or solid aluminum panel and can be installed horizontally or as vertical locker door in some applications. Offered with a wide selection of finishes that include standard mill finish, in-house durable powder coat finish or premium yacht coatings.

## FEATURES

- Clamp-In or Bolt-in application
- Glass Thickness 1/4" or 3/8"
- Clamp ring 1/16" to 4-7/16"
- Manual or gas strut hold open
- Interior dogs, interior-exterior dogs, or compression latches (locking/non-locking)
- Non-Classed

GAS SPRING  
OPENING

# WINDOW TEMPLATE INSTRUCTIONS

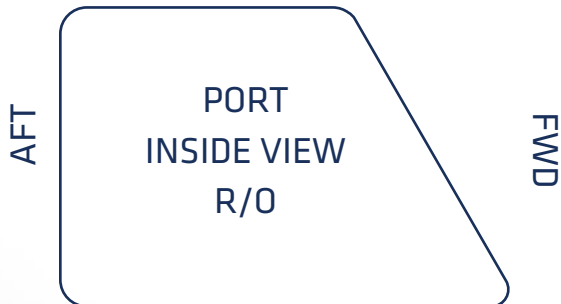
PLEASE MAIL TEMPLATES TO:

AdvanTec Global Innovations  
43676 Progress Way Chilliwack, BC, V2R 0C3  
ATTN: PATTERNS

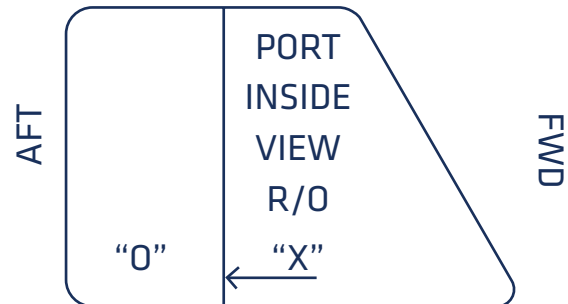
1. Provide a window schedule drawing or GA drawings. If neither are available create a Plan View of the boat showing window locations and give each template a number for referencing.
2. Ensure that window opening is clean and free from all sealants, etc. that could distort true shape of opening.
3. Attach paper or cardboard to outside or inside of vessel depending on which side will be easier get an accurate tracing of opening.
4. Suggested method is to purchase a roll of paper; run it along the side of the boat, hold plywood behind the cutout you are currently tracing for support, lastly cut each cutout tracing in to individual rectangle templates.
5. Trace opening with fine tipped pen making sure to capture a single, visible, straight line. If the reality of the cutout is that it is not a straight cut, please capture the cutout as is and expect an approval drawing noting capability based on the opening.
6. Label template as **R/O** for rough opening (a cutout trace is rough opening), TOP and whether it is “**inside view**” or “**outside view**”.
7. Label template as **Port** or **Starboard- Forward (W/S)** or **Aft**.
8. On sliding windows indicate sliding panel. “**X**” indicates sliding and “**O**” indicates fixed panel. **Sliding windows must be parallel**. Indicate if T-bar is to be vertical or sloped to match forward or aft angle. (For maximum opening we suggest matching the side in which the direction of your slider is opening).

## ADVANTEC MARINE WINDOW TEMPLATE INSTRUCTIONS

**FIXED WINDOW  
TOP**

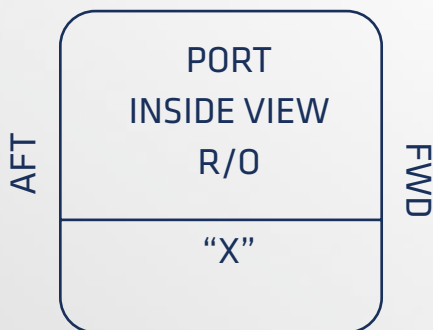


**SLIDING WINDOW  
TOP**

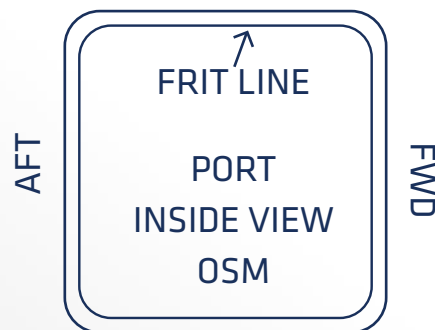


9. For vent windows-indicate where the split should be by measuring the distance from the bottom of the cut-out to the top of the division bar. Label vent with "X".
10. For direct bond glass with frit-indicate where the frit line should be. Label frit line and indicate **OSM** for outside measurements of the glass. Direct Bond glass templates must be very accurate.

**VENT WINDOW  
TOP**



**GLASS WINDOW  
TOP**



11. Please include **Window Type, Finish Details, Bulkhead Thickness** and any **Glass** information. Where applicable for hinged products please include the hinge location.
12. Roll up paper templates (**do not fold**), mark with any references provided by your sales person for easier tracking. (Multiple folds may change the overall size of the template)
13. If you need your templates returned, please clearly indicate this on your templates AND your purchase order. AdvanTec Manufacturing Canada reserves the right to destroy templates left at our facility for more than 6 months.

# ADVANTEC MARINE DEFINITIONS

## DOORS/HATCHES

### OVERALL SIZE MEASUREMENT (OSM)

Outside measurement of frame width & height.

### ROUGH OPENING

Opening in bulkhead, often referred to as “plate-cut”

### SPIGOT

Section of frame that protrudes through rough opening.

### CLEAR OPENING

Is the opening that you can physically pass through when the door/hatch is in full open position.

### INDIVIDUAL DOG SET (S)

Individually operated dogs (cleats) used to secure door/hatch for weathertight & watertight application.

Variations of Interior & Exterior options available.

### QUICK-ACTING DOG (S)

Lever or wheel used to operate multiple dogs with a single operation.

### BLIND DOG (S)

Interior operated only, can be individually operated dog or quick-acting.

### DOOR/HATCH FRAME

Main frame installed into bulkhead that the door/hatch insert will be fitted to & seal to.

### DOOR/HATCH INSERT

Door/hatch panel mounted to the frame via hinges or can be supplied as lift-out.

### BOLT-IN

Door/hatch main frame is installed and secured to bulkhead via mechanical fasteners.

### WELD-IN

Door/hatch main frame is installed and secured to bulkhead via welding method.

### CLAMP-IN

Door/hatch main frame is installed and secured to bulkhead via interior clamp ring.

### DOOR HANDING

Hinge doors refer to direction of the door swing when viewed from outside looking at key cylinder side.

Insert swings outward, Left-hand (LH) hinge on left or right-hand (RH) hinge on right.

Sliding doors refer to direction of slide (again viewed from exterior), left-hand sliding (LHS), door slides left or right-hand sliding (RHS), door slides right.

### LOCKSET

Lockset assembly includes - lever handles, lock case, keyed exterior cylinder, interior thumb-turn & supplied with roses or escutcheons plate.

Available in satin or chrome polished.

### DEADBOLT ONLY (NON-LATCHING)

Includes - lock case, keyed exterior cylinder, interior thumb-turn & round roses or rectangular escutcheons plates.

Available finishes are satin or polished chrome.

### PASSAGE SET

Includes - lever handles, passage lock case & round roses or rectangular escutcheons plates.

Available finishes are satin or polished chrome.

### WEATHERTIGHT

Designed to withstand and prevent the ingress of water exterior. Typically used above the waterline.

### WATERTIGHT

Will withstand water to a defined head pressure from exterior seating &/or both exterior seating & interior unseating pressures. Typically used below the waterline locations such as engine rooms, watertight boundaries & transoms.

# ADVANTEC MARINE DEFINITIONS

## FINISHES

### **ANODIZED - TYPE I (STANDARD)**

Chromic Acid anodizing is a metal coating process used when the application calls for a thin coating and a high level of corrosion resistance. MIL-A-8625F type I

### **ANODIZED - TYPE II (HARDCOAT)**

Proven electrochemical process that transforms a plain metal surface into an engaging exterior that provides both advanced corrosion-resistance and durability. MIL-A-8625 Type II

### **MILL FINISH**

Mill finish is the as extruded appearance of aluminum, no external mechanical or chemical finishing to the surface of the metal.

### **BUFFED FINISH**

Buffed with an orbital sander, no chemical finishing to the surface of the metal.

### **POWDER-COAT**

Electrostatically charged coloured powder that is applied to the metal and then baked on to provide a protective hard wearing coating.

### **PREMIUM YACHT COATINGS**

Wet paint system in a wide range of colours and brands.

## GLASS

### **ANNEALED GLASS**

Sheet/plate glass, often called "float glass" that has not been heat-strengthened or tempered.

### **HEAT TREATED**

Like tempering, with a slower cooling process. Heat-strengthened glass is approximately twice as strong as annealed glass but breaks into shards.

### **TEMPERED**

Heat treated safety glass, breaks into small 1/8" crumbles.

### **CHEMICALLY TOUGHENED**

Chemically treated plate glass which is agitated to remove all imperfection in glass surfaces meeting or exceeding strengths of tempered glass.

### **LAMINATED**

Two or more pieces of glass bonded together using an .030 or .060 inner layer of polyvinyl butyral (PVB) or ethylene-vinyl acetate (EVA).

Considered to be safety glass due to strength of bonded panel and the fact the panes remain stuck together even after damage. Insulation properties & sound attenuation properties are much greater than standard tempered glass and can reduce UV transmission along with adding tints.

### **HEATED**

Tempered laminated glass with a built-in electrical element to create heat transfer across the glass to eliminate fogging or icing.

### **INSULATED GLASS UNIT (IGU)**

2 or more panes of heat reflective glass separated by an air gap using a desiccant spacer to reduce heat and noise transfer.

### **ARRIS GROUND (ROUGH ARRIS)**

Is achieved using a wet belt sander and removes the sharpness of the glass edges. Primarily applied to ensure the glass is safe to handle.

### **FLAT GRIND**

CNC machine removes all sharp edges and leaving a diamond smooth unpolished edge with a satin, white appearance.

### **FLAT POLISH**

After flat grinding an additional process is completed on our CNC machine.

All edges are polished producing a smooth, gloss finish similar to the glass surface, utilised on glass products where edges are exposed.

### **VLT - VISIBLE LIGHT TRANSMISSION**

Used when discussing tint, VLT is the percentage of the light that passes through glass. The higher the number the more light is passing through and vice versa. Example: VLT 9% gray, will have a dark gray tint only allowing 9% visible light transmission.

## ADVANTEC MARINE DEFINITIONS

### WINDOWS

#### CLAMP RING

An internal ring that pinches exterior bulkhead and holds the window in place along with providing an interior beauty trim.

Options are Z-trim, Flat bar ring or L-trim

#### BOLT-IN

Window frame is installed and secured to bulkhead via mechanical fasteners.

#### MITERED CORNER

An angled corner formed by cutting and welding each leg of extrusion on a window.

#### RADIUS CORNER

A rounded corner formed when the window extrusion is bent in our bending machine.

#### MULLION

Used between panes of glass in a window to add strength. Used particularly in oversized windows.

#### OSM

Is the outside measurement of main frame.

#### SPIGOT

The projection of the frame that will fit into the hole or opening.

#### CLEAR VIEW (OR SIGHT LINE)

Viewing area when looking through window frame.

Or glass view is the glass area or area of the window. The area you will effectively be looking through.

#### X & O PANELS

Describes the configuration of sliding pane. The "X" pane is the active panel, "O" pane is the inactive/fixed pane. Also described as active or inactive panes.

#### ALASKAN LEG

Raised leg on lower frame edge to prevent ingress of water in harsh environments.

A damn built to the lower frame to prevent the ingress of water where a window will be used in particularly harsh environments.

#### BOTTOM VENT

A fixed/vent window with a hinged opening on bottom section.

#### TOP VENT

A fixed/vent window with a hinged opening on top section

#### TOP HINGED

Opening window with hinges across top where entire vent portion hinges open.

#### ½ DROP

A sliding window where the top half of the window is the active (X) panel and the bottom half is the inactive (O) panel. Opening from top to bottom.

#### FULL DROP

A sliding window where the entire pane slides vertically down to open.

#### REAR SLIDING (RS)

A sliding window where the rear/aft pane is the active (X) panel.



SERVICE & SUPPORT

# SERVICE & SUPPORT

AT ADVANTEC MARINE, WE SUPPORT WHAT WE SELL!

We're more than a manufacturer of innovative marine products. We offer a range of technical support services for our products post-purchase. See below for some of our service offerings.

## MAINTENANCE & REPAIRS:

- Davits/Cranes
- Doors - Automatic & Manual Doors
- Windows & Glass
- Hatches
- Onsite Diagnostics
- Machine Shop Services

## INSPECTIONS & CONSULTING:

- OEM Inspections
- Installation Support & Oversight
- Weather & Watertight Testing
- Product Commissioning & Testing
- \*Extended Warranty Qualification
- 24/7 Remote Technical Support



# ADVANTEC MARINE HEADQUARTERS





**DIAMOND SEA GLAZE MANUFACTURING**

**ADVANTEC ADVANTAGE**



**3 YEAR  
HASSLE-FREE  
WARRANTY**

WE ARE PASSIONATE ABOUT DELIVERING

RELIABLE **SOLUTIONS**  
SUPERIOR **QUALITY**  
WORLD-CLASS **SUPPORT**



Proudly part of the **AdvanTec** family of brands



AdvanTec Manufacturing Canada  
43676 Progress Way, Chilliwack, BC,  
V2R 0C3, Canada

Phone: 1.800.770.0455  
Email: [info@advantemarine.com](mailto:info@advantemarine.com)

AdvanTec Manufacturing USA  
28336 Hunter Creek Rd., Gold Beach,  
OR, 97444, USA