

# LOUIS REYNERS

EXCELS IN HOISTING, LIFTING AND FALL PROTECTION



[WWW.LR.NL](http://WWW.LR.NL)

2.0

**LOUIS REYNERS**  
EXCELS IN HOISTING, LIFTING AND FALL PROTECTION



tel. +31 (0) 75 650 47 50  
info@lr.nl

Symon Spiersweg 13-A  
1506 RZ Zaandam

[WWW.LR.NL](http://WWW.LR.NL)



ELECTRIC CHAIN HOISTS .....	05
HAND CHAIN HOISTS .....	18
HOIST ACCESSORIES .....	23
CONTROLLERS .....	29
LOAD ARRESTS.....	35
LOAD CELLS.....	38
RIGGING PRODUCTS .....	41
SAFETY'S .....	47
STEELS.....	48
ASSEMBLED WIRE ROPES.....	52
ADJUSTABLE STEELS.....	54
CABLE GLIDERS .....	56
BEAM CLAMPS.....	58
TENT CLAMP.....	60
TROLLEYS.....	62
SHACKLES.....	64
CHAIN CLUTCHES.....	68
LIFTING POINTS .....	70
HOOKS .....	71
LINKS .....	72
FALL PROTECTION AND ROPE ACCESS.....	74
NOTES.....	78
OUR BRANDS.....	79

#### **IMPORTANT SAFETY ASPECT**

Always read the operating and installation instructions before use.

#### **COPYRIGHT**

All rights to the materials and information in this catalogue are owned by Louis Reyners BV.

No further publication or commercial use may be made of the materials and information in this catalogue without the express permission of Louis Reyners BV.

#### **CHANGES**

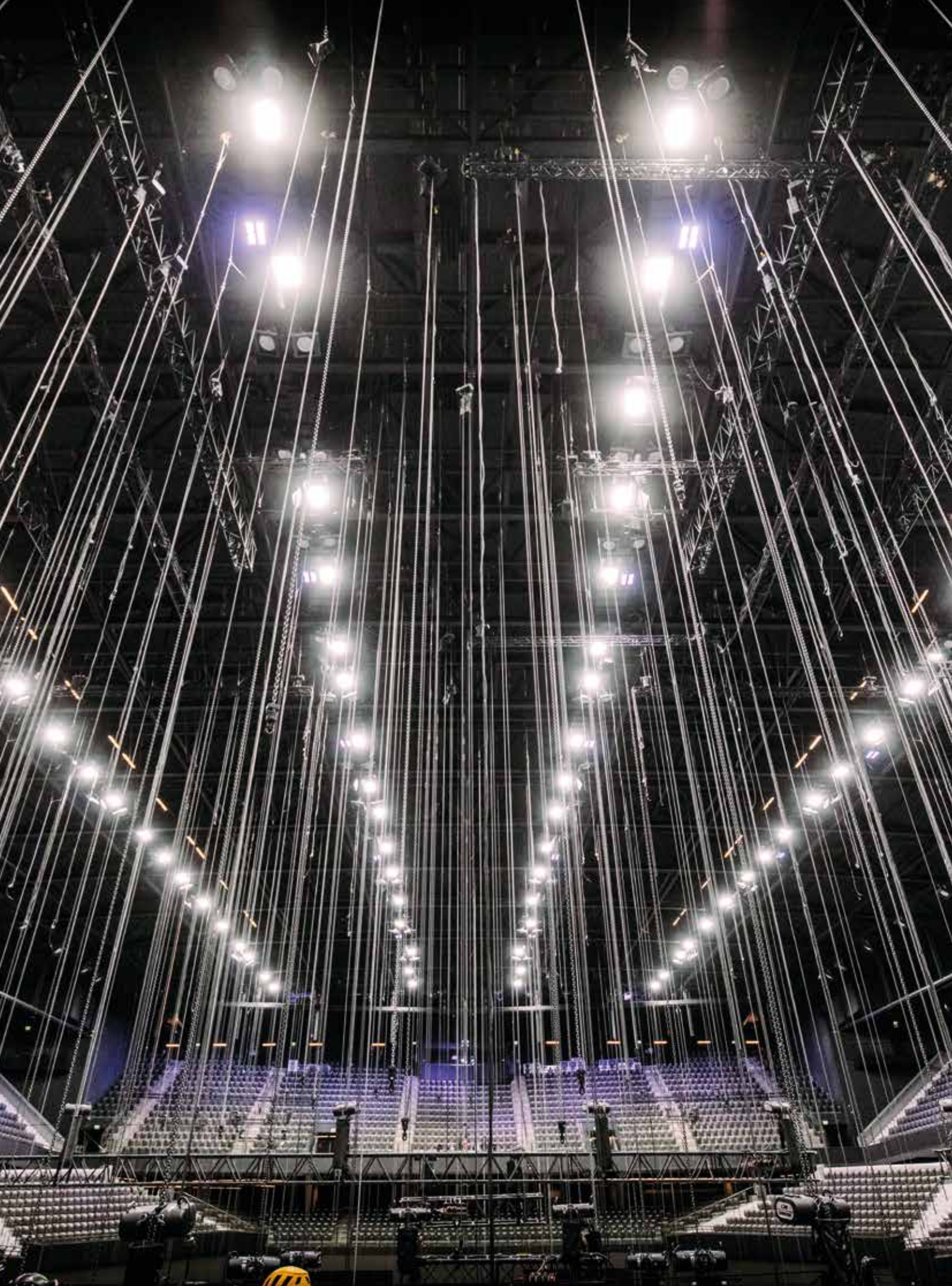
Product changes with reservation.

See our website for the latest price and specifications.

#### **ASSISTANCE?**

Our sales team is available for any advise in purchase or use of our products.

**Louis Reyners is ISO 9001 certified.**



# ELECTRIC CHAIN HOISTS

**The CM and GIS Electric Chain Hoists will provide you with a wide choice top quality entertainment hoists. We can supply you with the right hoist for any event and situation. We can adjust the hoists for you if necessary, ask us about the possibilities.**

## **GIS LPM, THE LIGHT LOAD LIFTER!**

Simple and easy to use – reliable and safe in operation – longlasting and easy to maintain. In theatres, schools, sports centres, multifunction event venues, arenas, congress centres, TV studios or on concert tours, GIS chain hoists are in use worldwide.

Developed and manufactured in Switzerland – for the world market.

- The case hardened and manganese phosphated profile steel chain provides about 15% more capacity at an identical nominal diameter compared to the round steel chain. The higher cross-sectional area reduces wear and increases the lifetime of the chain. The manganese phosphating improves its corrosion resistance and dry running properties.
- LPM, the smallest chain hoist of the LP-family, weighing only 12 kg, lifts up to 500 kg as a D8-hoist. It is modular in design with compact construction which is why it is perfectly suited for the integration in traverses. It offers the option to equip the hoist as D8-Plus by mounting a second DC-springloaded brake on the existing shaft.
- All LP electric chain hoists are equipped with a 3-stage self-contained gear. The helical gearing with geometric optimisation ensures extremely quiet running. This allows the handling of loads during events. Thanks to the protection provided by the cover and housing the sound pressure level of the LP is only 65 dB. This makes it one of the quietest motors available on the market.
- A feature of the hoist is the protection class IP65. It is dust proof and protected against water jets. The LP is perfectly suitable for outside use, even under the most difficult conditions. On open-air events or on concert tours, the rigger will appreciate the weather resistance and reliability of this electric chain hoist.

## **CM LODESTAR, THE POWER TO PERFORM!**

With the Lodestar entertainment hoist (for use in upright or inverted position), CM is one of the leading companies worldwide. Generations of users could and still can rely on the superb reliability and long service life of the Lodestar.

In addition to reliability and longevity, the "New Line" Lodestar, has a number of new features, which include ensuring very smooth running at a low noise level. In addition to application in the touring, the Lodestar is now also suitable to be used in the theatres.

From major music events up till international sports events and theatre performances, organizers can count on the excellent reliability, each show again.

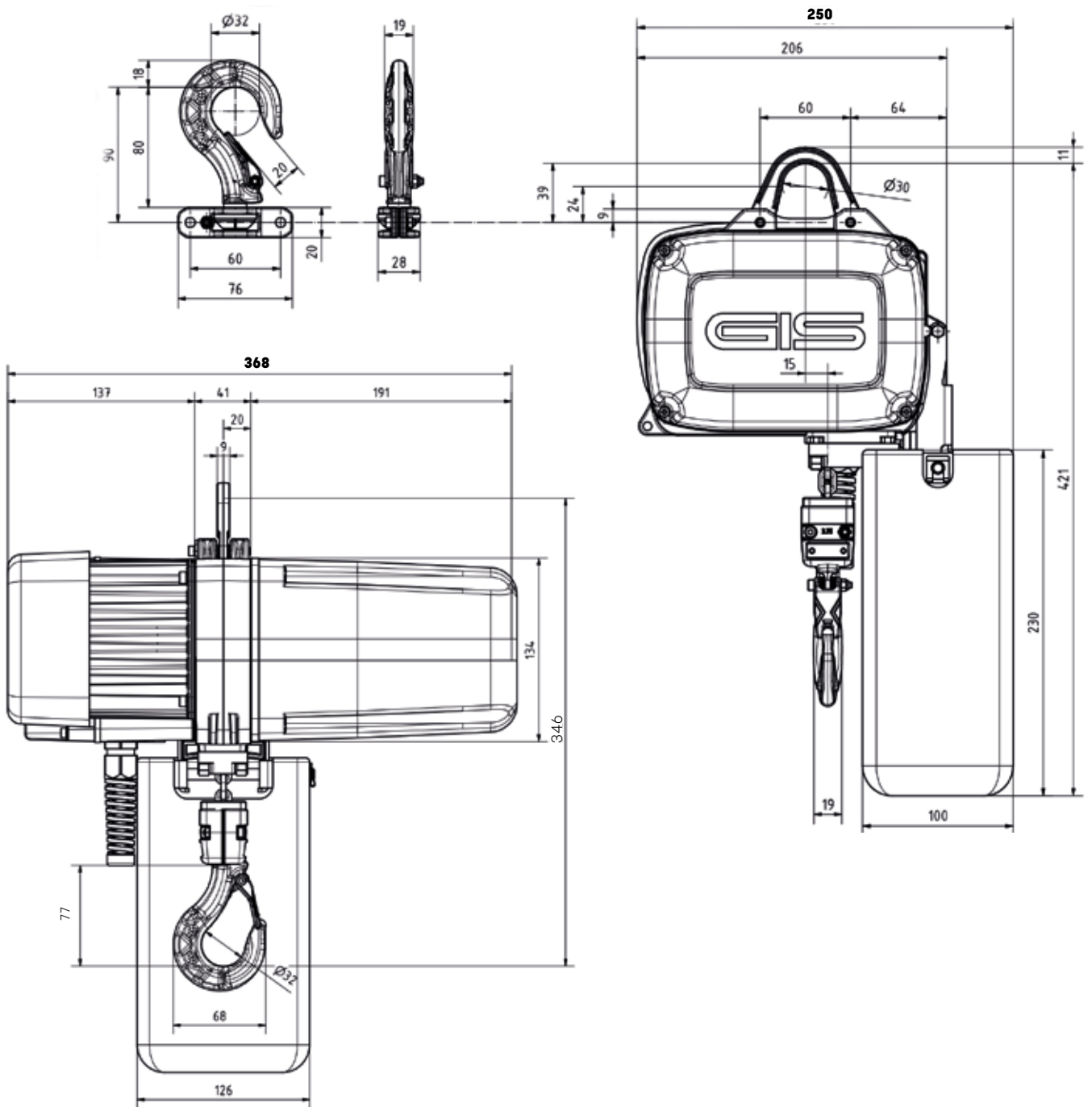
## **FEATURES OF THE "NEW LINE" LODESTAR:**

- Capacities from 0,125 t to 2 t (new line 2 t also available as single reeved unit)
- Speed from 2 to 30 m/min
- Power supply, 1 or 3 phase
- Directly controlled (DC) or low voltage control (LV)
- Chain wheel with 5 pockets for improved chain wear and smooth running
- Load limiter outside the gear train, meets international standards
- Helical gearing: for less noise
- New connection panel for quick and easy access to the circuit board, transformer with fuses and relay
- Intorq DC brake
- Control voltage (LV control): standard 110V, for long cable lengths w/o power drop, optional available in 24V or 48V version
- Durable, lightweight body: aluminum alloy with a matt black finish coating
- Duty-cycle-FEM class 2m, designed for extensive use: 30 minutes at 240 switches per hour
- Electrical connections: the hoists are "touch proof" and comply to all requirements
- Finger safe wiring and quick-change plug-and-play connectors allow easy voltage change from 208/230 to 460.
- Prevents improper voltage connections which can cause hoist damage (only Low Voltage version)
- Adjustable limit switches: provide an automatic stop in the lowest and highest position at any desired point (only Low Voltage version)
- Double brake: optional. A second brake is easy and fast to install, also afterwards as retrofit kit
- Encoders are optional on the slow and / or fast shafts, incremental or absolute
- External chain plate results in:
  - ultimate chain feeding;
  - longer lifetime of other internal parts (housing chain guides)
- Also available with variable speed
- Optionally available with safety hooks: Alloy Latchlok Hooks with automatic locking when hoisting by means of locking/catch system.

Our salesteam is available for any advise in purchase or use of the hoists. Please call + 31 (0) 75 650 47 52 or send an email to [info@lr.nl](mailto:info@lr.nl).



# ELECTRIC CHAIN HOISTS / LPM



3-stage helical gearing



Chain wheel with profiled chain

# ELECTRIC CHAIN HOISTS / D8

## GIS LP (L) D8, LPM (L) D8 (DC OR LV)

Thanks to the special coating of the casings and the protection class IP65, the chain hoists are perfectly suitable for both mobile and outdoor use. They can be used as a stationary or climbing hoist without modification. When used as a climbing hoist, the chain guide plate ensures the correct running in and out of the chain. The chain hoist is in accordance with BGV D8 as a modular chain hoist for lifting loads.

The electrophoretic black coating offers high scratch and UV resistance and thus optimal protection against mechanical wear. With a weight of only 12 kg, the LPM is the lightest among the electrical chain hoists in the

entertainment industry. It is modern and compact in design with modular construction. The maintenance-free 3-step drive and the 5-pocket sprocket lead to very quiet running in operation. The slipping clutch is outside the drive train. The phosphate coated and casehardened profile steel load chain enables a chain diameter 7% smaller than round steel chain with the same load capacity. This allows a more compact design of the drive mechanism, which reduces the weight of the hoist. A real innovation is hidden inside the chain hoist. All shaft-hub connections are built to a polygonal design. This allows significantly faster disassembly and assembly during maintenance and reduces service costs.

### MAIN FEATURES:

- Direct Control or Low Voltage Control (42V)
- Aluminium casing and cover
- Profile steel chain
- Dry-running slipping clutch
- Geared limit switch with high positioning accuracy
- Standard voltage: 400V-3Ph-50Hz
- Classification group: EN14492(ISO): A3;<31.500C (M3; duty 25%)
- Lifting speed: 4 m/min
- Protection class: IP65
- Isolation class F (motor)
- Hook suspension
- **LPL250 - LPL500 - LPL1000 lightest motor in the market**

### INCLUSIVE:

- Approx. 0,8 m power cable with 16A CEE plug, 4 pin red
- Approx. 0,8 m control cable with CEE plug, 4 pin yellow (LV version)
- Chain bag

### OPTIONAL FEATURES:

- Other lifting heights and speeds on request
- On request available with eye bolt suspension
- Also available in 230V-1Ph-50Hz
- Double brake
- Safety hook
- Various accessories available

ARTICLE CODE	WLL (t)	LV / DC	SPEED 50HZ (M/MIN)	POWER (KW)	WEIGHT WITHOUT CHAIN (kg)	CHAIN Ø (mm) X NUMBER OF FALLS	STANDARD LIFTING HEIGHT (m)
LPM250-10-DCD8	0,4	DC	4	0,25	12	3,75 x 1	10
LPM250-10-LVD8	0,4	LV	4	0,25	12	3,75 x 1	10
LPML250-10-DCD8	0,5	DC	4	0,38	12	4,1 x 1	10
LPML250-10-LVD8	0,5	LV	4	0,38	12	4,1 x 1	10
LP500-20-DCD8	0,8	DC	4	0,55	22	5,25 x 1	20
LP500-20-LVD8	0,8	LV	4	0,55	22	5,25 x 1	20
LPL500-20-DCD8	1	DC	4	0,76	23	5,7 x 1	20
LPL500-20-LVD8	1	LV	4	0,76	23	5,7 x 1	20
LP1000-20-DCD8	1,6	DC	4	1,5	45	7,45 x 1	20
LP1000-20-LVD8	1,6	LV	4	1,5	45	7,45 x 1	20
LPL1000-20-DCD8	2	DC	4	1,5	46	8,2 x 1	20
LPL1000-20-LVD8	2	LV	4	1,5	46	8,2 x 1	20
LP1600-20DCD8	2,5	DC	4	2,2	72	9,4 x 1	20
LP1600-20LVD8	2,5	LV	4	2,2	72	9,4 x 1	20
LP2500-20-DCD8	3,2	DC	3,2	2,2	71	11,75 x 1	20
LP2500-20-LVD8	3,2	LV	3,2	2,2	71	11,75 x 1	20
LP2500-20-DCD8-2	6,3	DC	3,2	2,2	71	11,75 x 2	20
LP2500-20-LVD8-2	6,3	LV	3,2	2,2	71	11,75 x 2	20

\*The type LP2500/2B.D8 has a lifting speed of 3.2 m/min at 6.3+ capacity.

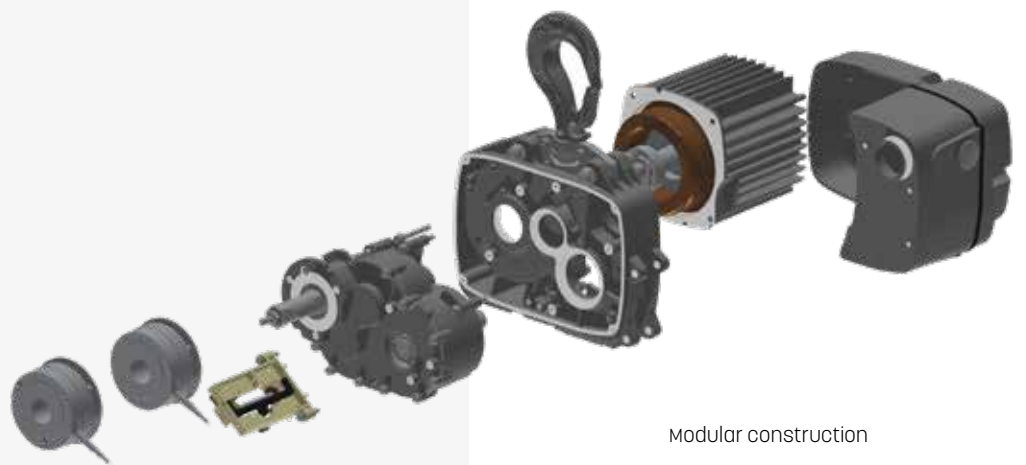




Skeletal load hook



Eye bolt suspension incl. load cell



Modular construction

# ELECTRIC CHAIN HOISTS / D8+

## GIS LPM D8+, LP D8+ (DC OR LV)

Two independent brake systems and a safety factor 8:1 allows people to stand under the load without a secondary safety device. By means of direct control, the chain hoists can be easily combined as group hoists. The ergonomic control switch is controlled by low voltage in stationary hoists. The chain hoist is in accordance with BGV D8+ as a modular chain hoist for lifting loads.

### MAIN FEATURES:

- Safety factor 8:1 according to DIN 56950:2012 - SQP2
- Direct Control or Low Voltage Control (42V)
- Aluminium casing and cover
- Profile steel chain
- Dry-running slipping clutch
- Geared limit switch with high positioning accuracy
- Standard voltage: 400V-3Ph-50Hz
- Classification group: EN14492(ISO):A5:<125.000C(M5; duty 40%)
- Lifting speed: 4 m/min
- Protection class: IP65
- Isolation class F (motor)
- Hook suspension

A single reeved 0,25t chain hoist. The chain hoists are perfectly suitable for both mobile and outdoor use.

The top and bottom end positions can be individually and precisely set. The optional locking load hook prevents the load from accidentally slipping off the load hook.

### INCLUSIVE:

- Approx. 0,8 m power cable with 16A CEE plug, 4 pin red
- Approx. 0,8 m control cable with CEE plug, 4 pin yellow (LV version)
- Double brake
- Chain bag

### OPTIONAL FEATURES:

- Other lifting heights and speeds on request
- On request available with eye bolt suspension
- Also available in 230V-1Ph-50Hz
- Various accessories
- Safety hook
- Path and load measurement

ARTICLE CODE	WLL (t)	LV / DC	SPEED 50HZ (M/MIN)	POWER (KW)	WEIGHT WITHOUT CHAIN (kg)	CHAIN Ø (mm) X NUMBER OF FALLS	STANDARD LIFTING HEIGHT (m)
LPM250-10-DCD8+	0,25	DC	4	0,25	13	3,75 x 1	10
LPM250-10-LVD8+	0,25	LV	4	0,25	13	3,75 x 1	10
LP500-20-DCD8+	0,5	DC	4	0,55	23	5,25 x 1	20
LP500-20-LVD8+	0,5	LV	4	0,55	23	5,25 x 1	20
LP1000-20-DVD8+	1	DC	4	1,50	47	7,45 x 1	20
LP1000-20-LVD8+	1	LV	4	1,50	47	7,45 x 1	20
LP1600-20-DCD8+	1,6	DC	4	2,2	75	9,4 x 1	20
LP1600-20-LVD8+	1,6	LV	4	2,2	75	9,4 x 1	20
LP2500-20-DCD8+	2,5	DC	4	2,2	77	11,75 x 1	20
LP2500-20-LVD8+	2,5	LV	4	2,2	77	11,75 x 1	20
LP2500-20-DCD8+-2	3,2	DC	4	3,7	77	11,75 x 2	20
LP2500-20-LVD8+-2	3,2	LV	4	3,7	77	11,75 x 2	20



Modified chain bag bracket LPM



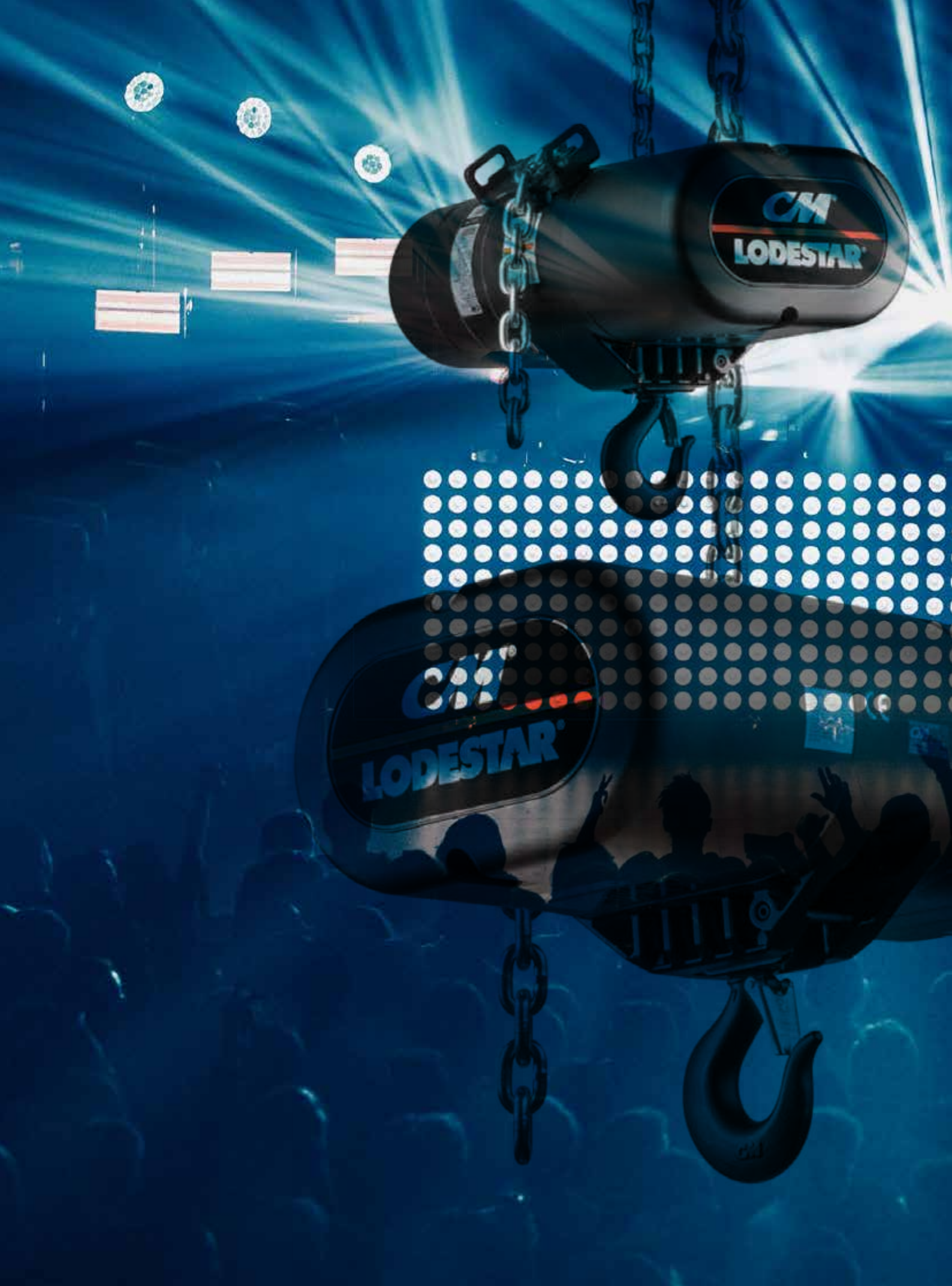
Double brake



Encoder



Eye bolt suspension

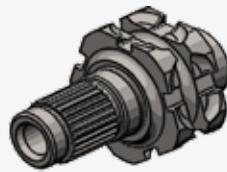


# ELECTRIC CHAIN HOISTS / CM LODESTAR

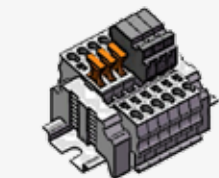
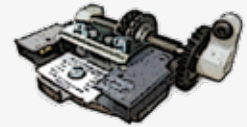
Available from 6,3 mm till 10 mm.  
Meets or exceeds many national and international standards.



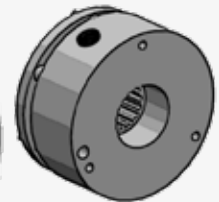
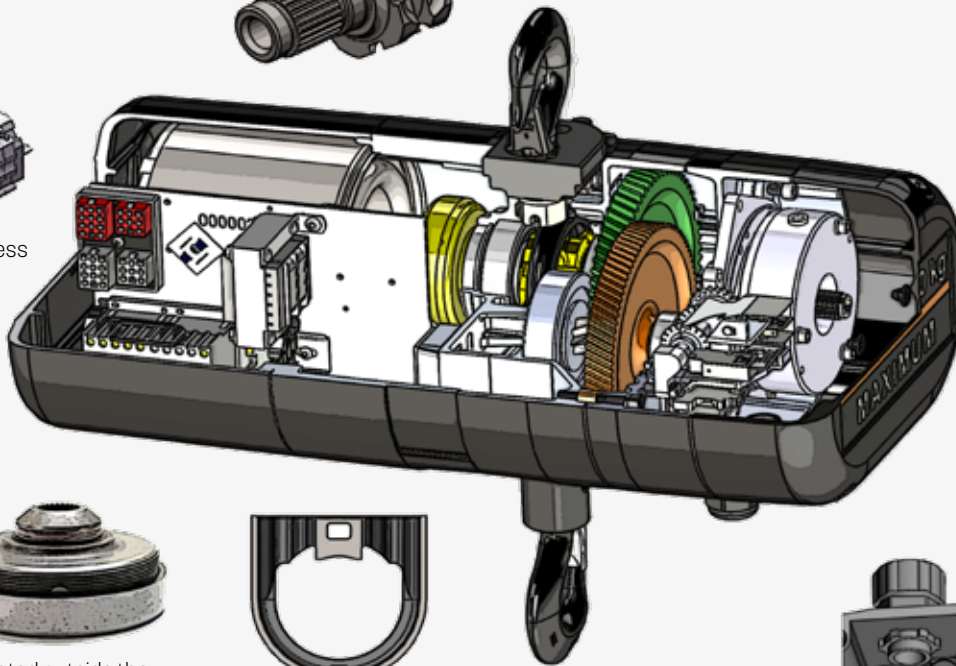
5 pocket liftwheel increases chain and liftwheel engagement while providing smoother lifting, less vibration and reduced chain wear.



Adjustable screw limit switch that will automatically stop the hook at any predetermined point when lifting (LV version).



Provides easy access to controls.



Heavy duty DC brake is standard. AC brake and double DC brake are also available.



OLP located outside the gearbox and easy to access

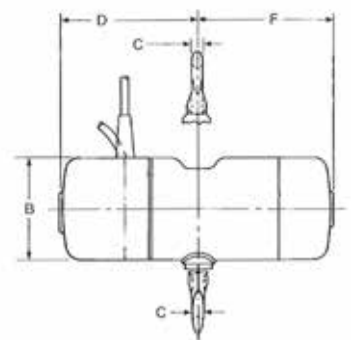
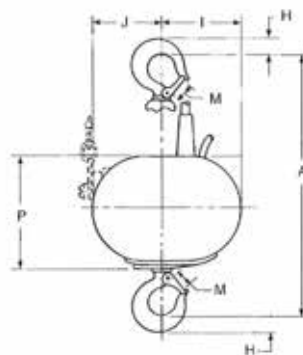


Stamped steel guide, coated, for a quiet operation.



Upgrade: IP 66 water-resistant for outdoor use.

External guide plate



LEGEND	D8 SERIES B, C, F (cm)	D8+ SERIES RRS (cm)	D8+ SERIES B, C, F (cm)	D8 / D8+ SERIES J, JJ, L, LL (cm)	D8 / D8+ SERIES R, RR (cm)	BGV-C1 F (cm)	BGV-C1 JJ, L, LL (cm)	BGV-C1 RR (cm)
A	43,0	63,1	43,0	47,1	65,5	43,0	47,1	65,5
B	15,4	19,4	15,4	19,4	19,4	15,4	19,4	19,4
C	1,7	2,9	1,7	2,2	2,9	1,7	2,2	2,9
D	30,0	27,6	30,0	25,5	25,5	30,0	25,5	25,5
F	22,7	31,1	22,7	33,0	33,0	22,7	33,0	33,0
H	2,5	3,8	2,5	3,0	3,8	2,5	3,0	3,8
I	11,3	15,9	11,3	17,6	14,2	11,3	17,6	14,2
J	10,7	16,3	10,7	14,5	17,9	10,7	14,5	17,9
M	2,5	3,8	2,5	2,8	3,3	2,5	2,8	3,3
P	16,8	23,9	16,8	20,8	20,8	16,8	20,8	20,8

# ELECTRIC CHAIN HOISTS / D8

## CM LODESTAR, D8 (LV OR DC)

With the Lodestar entertainment hoist, CM is one of the leading companies worldwide. Generations of users could and can still rely on the superb reliability and long service life of the Lodestar.

### MAIN FEATURES:

- Sturdy: long operational life
- Durable plated housing in black powder coating
- Safety factor >5
- Duty cycle: 30 min. at 240 s/h
- FEM class: 2M
- Complete range: 0,25 t - 2 t and 2 - 16 m/min
- Special coated chain guide for proper chain passage and low noise level
- Limit switches for easy setting of the hoist operation (only LV version)
- Colour: matt black finish
- Protection class: IP66
- 5-Pocket wheel: less vibrations and constant speed (smooth lifting)
- In LV 110V (low voltage control) or in DC (direct control)

### INCLUSIVE:

- Chain bag type CM
- Approx. 0,8 m control cable with CEE plug, 4 pin yellow (only LV version)
- Approx. 0,8 m power cable with CEE plug, 4 pin red
- Upper and lower hook with latch
- Carrying handles mounted on the body

### OPTIONAL FEATURES:

- Also available in 230V-1 phase-50Hz
- Control voltage: 24V and 48V
- Double brake
- Latchlok safety hook
- Lifetime warranty, ask for the conditions



ARTICLE CODE	MODEL	WLL (t)	LIFTING SPEED (M/ MIN)	WEIGHT WITHOUT CHAIN (kg)	CHAIN Ø (mm) X NUMBER OF FALLS	DC / LV	STANDARD LIFTING HEIGHT (m)
TFN-500-20-LVD8	F	0,5	4	32	6,3 X 1	LV	20
TFN-500-20-DCD8	F	0,5	4	32	6,3 X 1	DC	20
TLN-1000-20-LVD8	L	1,0	4	56	7,9 X 1	LV	20
TLN-1000-20-DCD8	L	1,0	4	56	7,9 X 1	DC	20
TRRN-2000-20-LVD8	RR	2,0	4	66	7,9 X 2	LV	20
TRRN-2000-20-DCD8	RR	2,0	4	66	7,9 X 2	DC	20
TRRS-2000-20-LVD8	RRS	2,0	4	62	10 X 1	LV	20
TRRS-2000-20-DCD8	RRS	2,0	4	62	10 X 1	DC	20

# ELECTRIC CHAIN HOISTS / D8+

## CM LODESTAR, D8+ (LV OR DC)

With the Lodestar entertainment hoist, CM is one of the leading companies worldwide. Generations of users could and can still rely on the superb reliability and long service life of the Lodestar.

### MAIN FEATURES:

- Sturdy: long operational life
- Safety factor 8:1 according DIN 56950:2012 - SQP2
- Duty cycle: 30 min. at 240 s/h
- FEM class: 2 m
- Complete range: 0,25 t - 1,3 t and 2 - 16 m/min
- Special coated chain guide for proper chain passage and low noise level
- Limit switches for easy setting of the hoist operation (only LV version)
- Colour: matt black finish
- Protection class: IP66
- 5-Pocket wheel: less vibrations and constant speed (smooth lifting)
- In LV 110V (low voltage control) or in DC (direct control)

### INCLUSIVE:

- Chain bag type CM
- Approx. 0,8 m control cable with CEE plug, 4 pin yellow (only LV version)
- Approx. 0,8 m power cable with CEE plug, 4 pin red
- Upper and lower hook with latch
- Carrying handles mounted on the body
- Double brake

### OPTIONAL FEATURES:

- Also available in 230V-1 phase-50Hz
- Control voltage: 24V and 48V
- Lifetime warranty, ask for the conditions



ARTICLE CODE	MODEL	WLL (t)	LIFTING SPEED (M/ MIN)	WEIGHT WITHOUT CHAIN (kg)	CHAIN Ø (mm) X NUMBER OF FALLS	DC / LV	STANDARD LIFTING HEIGHT (m)
TFN-500-20-LVD8+	F	0,5	4	33	6,3 X 1	LV	20
TFN-500-20-DCD8+	F	0,5	4	33	6,3 X 1	DC	20
TLN-1000-20-LVD8+	L	1,0	4	57	7,9 X 1	LV	20
TLN-1000-20-DCD8+	L	1,0	4	57	7,9 X 1	DC	20
TRRN-2000-20-LVD8+	RR	2	4	68	7,9 x 2	LV	20
TRRN-2000-20-DCD8+	RR	2	4	68	7,9 x 2	DC	20

# ELECTRIC CHAIN HOISTS / D8

## CM PROSTAR, 400V-3-50HZ, (LV OR DC)

Lightweight, quiet and portable, the CM Prostar electric chain motor is designed and built for the unique rigging needs encountered at small venues. Features an overload device that protects the hoist, operator and structure from damaging overloads.

### MAIN FEATURES:

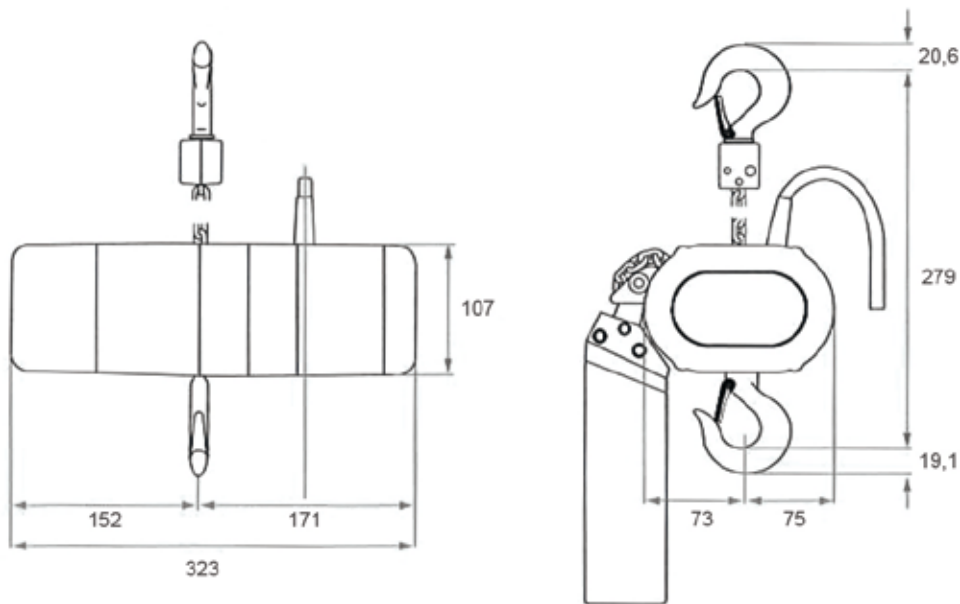
- Extremely low weight, only 10,5 kg
- Colour: matt black finish
- Strong aluminum alloy
- Clutch to prevent lifting of excessive overloads
- 10-Pocket wheel, quiet and smooth chain passage

### OPTIONAL FEATURES:

- Other hoisting speeds and work loads available, inquire about the possibilities
- Rotating body hook
- Double brake
- Lifetime warranty, ask for the conditions

### INCLUSIVE:

- Chain bag type CM
- Approx. 0,8 m power cable with CEE plug 4 pins red (400V)
- Approx. 0,8 m power cable with CEE plug 3 pins blue (LV for 230V)
- Approx. 0,8 m control cable with CEE plug 4 pins yellow (LV)
- Upper and lower hook with latch



Single parts DC en LV models, single brake (mm).

ARTICLE CODE	WLL (T)	LIFTING SPEED (M/MIN)	WEIGHT WITHOUT CHAIN (KG)	DC / LV	CHAIN Ø (MM) X NUMBER OF FALLS	POWER	STANDARD LIFTING HEIGHT (M)
P-226-10-LV-1F	0,226	3	10,5	LV	4 X 1	230V - 1Ph - 50 Hz	10
P-250-10-LV	0,250	4	10,5	LV	4 X 1	400V - 3Ph - 50 Hz	10
P-250-10-DC	0,250	4	10,5	DC	4 X 1	400V - 3Ph - 50 Hz	10





**CM**  
**PROSTAR**

# HAND CHAIN HOISTS / ELLER

## ELLER® HTM MINI HAND CHAIN HOIST

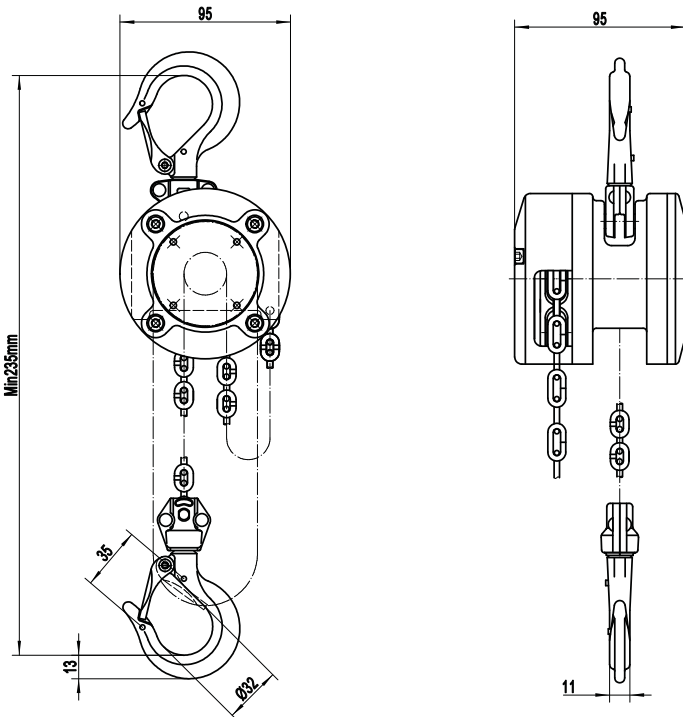
The compact design of this hand chain hoist makes it perfectly suited for use at heights in various sectors where ease of use, portability, and reliability are crucial. Whether it's with trusses or in tent roof structures, this hand chain hoist is the ideal partner for all your lifting needs.

### STANDARD FEATURES

- Lifting Capacity: 250kg
- Aluminum Housing: The black-coated aluminum housing with countersunk bolts ensures durability and long-lasting performance
- Minimum Height: With a minimum height of 235mm, this hoist offers a slim profile and easily fits into tight spaces
- Overload Protection: We equipped this hoist with overload protection to ensure your safety during operation
- Wide Hook Opening: The wide hook opening makes it easy to attach and lift various loads
- Fine Gears: Enjoy millimeter-precise lifting movements and smooth operation thanks to the fine gears
- Grade 10 Calibrated Load Chain: The load chain meets the EN 818-7 standard, providing reliability and durability for long-term use

### CONVENIENCE AND SAFETY GUARANTEED

- Easy Operation: The low pulling force makes operation effortless, allowing you to focus on precise load lifting
- Compact and Lightweight: With a minimum build height of 235mm, this hoist is highly compact and easy to move, even in confined spaces
- Precision Lifting: The finely-toothed precision gears ensure millimeter-accurate lifting movements, crucial for delicate loads
- Built-in Safety: Our hoist comes standard with overload protection, providing peace of mind during operation
- Weight including 10m chain: 7.3kg



ARTICLE CODE	WLL (t)	NO. OF FALLS	LOAD CHAIN (MM)	A (MM)	B (MM)	C (MM)	D (MM)	E (MM)	F (MM)	G (MM)	WEIGHT (KG)
ELHTM-00250-100-095-Z	0,25	1	3.2x9.0	95	95	235	13	11	35	Ø32	7.3

# HAND CHAIN HOISTS / ELLER

## ELLER® PHE1

A completely new line of economy hand chain hoists, the PHE1, without OLP.

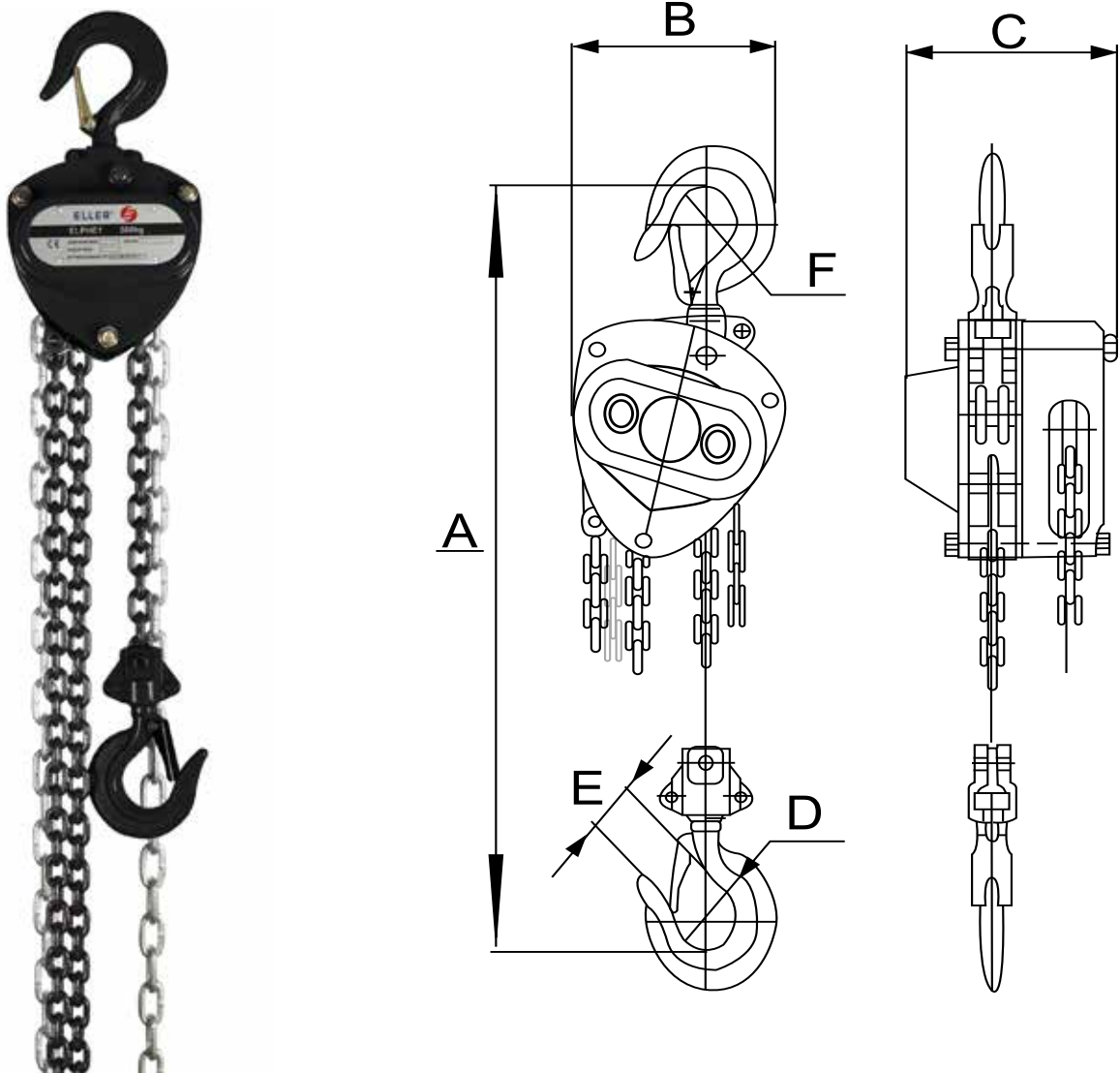
Solid and robust for when you need it quick and easy. PHE1 hoists are good quality hoists for a competitive price in workloads 0,5 t and 1 t.

### MAIN FEATURES:

- Black
- European Grade 80 tempered black load chain according to EN-818-7
- Galvanized hand chain
- Good value for money
- Standard lifting height 10 m
- optional features
- Chain bag
- Other lifting heights available upon request

### WEBSITE:

- See our website [www.lr.nl](http://www.lr.nl) for the prices of our standard lifting heights (3 m - 12 m), other lifting heights available on request
- Please contact one of our employees via +31 (0) 75 - 650 47 52 or send an e-mail to [info@lr.nl](mailto:info@lr.nl)



ARTICLE CODE	WLL (t)	HAND CHAIN SIZE $\phi$	STANDARD LIFTING HEIGHT (m)	DROP OF HAND CHAIN (m)	CHAIN $\phi$ (mm) X NUMBER OF FALLS	HEADROOM A (mm)	PULLING FORCE (kg)	WEIGHT (kg)	B (mm)	C (mm)	D (mm)	E (mm)	F (mm)
ELPHE1-00500-100-095-Z	0,5	5 x 24	10	9,5	5 x 1	285	26	19	120	116	34	24	37
ELPHE1-01000-100-095-Z	1,0	5 x 24	10	9,5	6 x 1	332	32	25	147	136	40	32	40

# HAND CHAIN HOISTS / ELLER WITH OLP

## ELLER® PH2

The ELLER PH2 is a consistent development of the successful hand hoist PH1 and is produced with the latest technology. Compared to the PH1, it is much lighter and provides better handling due to the compact design. Despite its lower weight, the work stability has been improved due to improved construction.

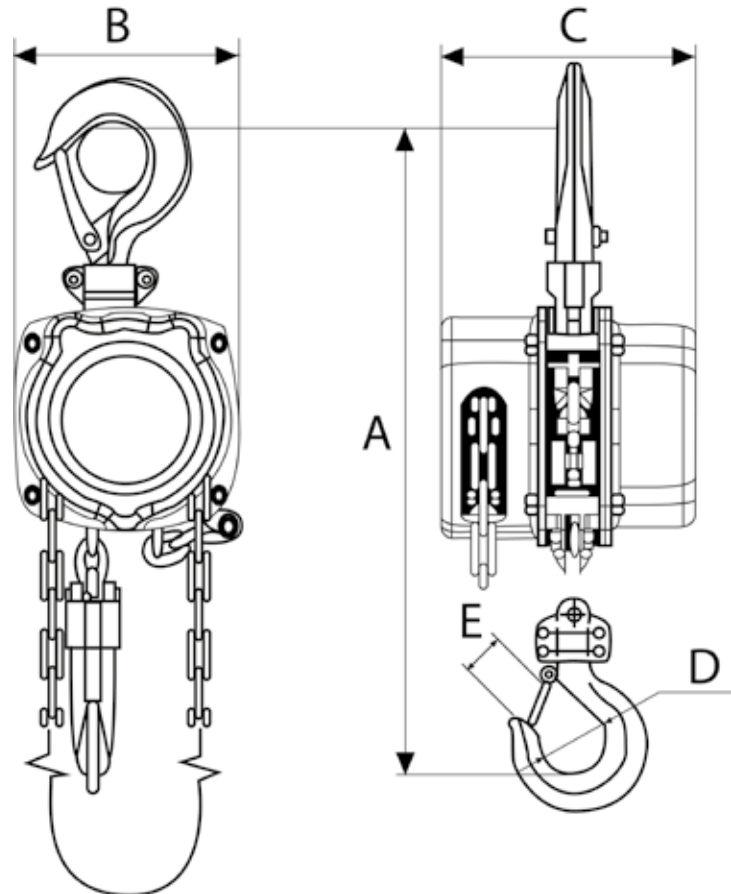
### MAIN FEATURES:

- Dirt and rain have no effect on this hoist. All parts and housing are protected against corrosion
- Durable plated housing in black powder coating
- Ratchet type brake with independent twin pawls for reliability and greater safety
- Precision bearings support the pinion shaft for smoother operation and increased mechanical efficiency
- Forged swivel top and bottom hooks made of heat-treated, tempered steel
- The hooks have robust forged safety catches
- All parts like bolts, nuts and washers are galvanized. The gear side and hand wheel side covers are mounted together with the same nuts

- Robust chain connection
- European Grade 80 tempered and galvanized load chain according to EN-818-7
- Standard lifting height 10m and hand chain height 9.5 m
- Overload protection standard built in (excl. 0,25 t)
- **PH2 0,25 t hooks fit on a 3,25 t shackle**

### OPTIONAL FEATURES:

- Chain bag with quick link (see page 24)
- Available up to 30 t in orange
- Other lifting heights available upon request



ARTICLE CODE	WLL (t)	HAND CHAIN SIZE Ø	STANDARD LIFTING HEIGHT (m)	DROP OF HAND CHAIN (m)	CHAIN Ø (mm) X NUMBER OF FALLS	HEADROOM A (mm)	PULLING FORCE (kg)	WEIGHT (kg)	B (mm)	C (mm)	D (mm)	E (mm)
ELPH2-00250-100-095-Z	0,25	5 x 25	10	9,5	4 x 1	259	22	16	95	100	30	22
ELPH2-00500-100-095-Z	0,5	5 x 25	10	9,5	5 x 1	309	24	19	114	110	33	22
ELPH2-01000-100-095-Z	1,0	5 x 25	10	9,5	6 x 1	373	31	25	152	139	40	28

# HAND CHAIN HOISTS / ELLER



High quality spur gear



Standard OLP (excl. 0,25t)



Safety brake with two pawls



Ball bearing mounted sprocket shaft



End Stop



Chain EN 818-7

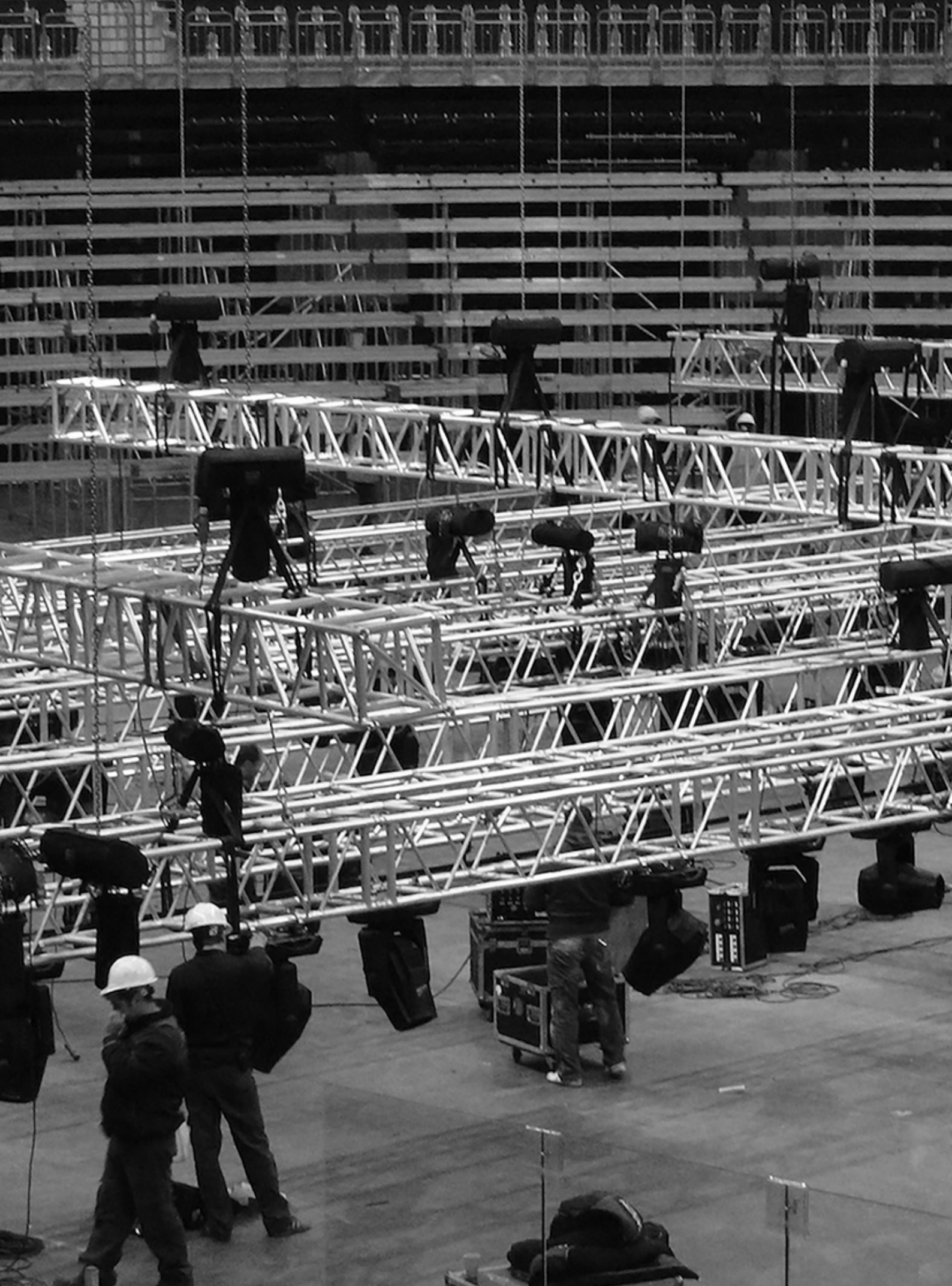


Hand chain



Cast hook clips





# HOIST ACCESSORIES

## FOR THE RIGHT ASSOCIATED ACCESSORIES!

You are the proud owner of a CM Lodestar or a CM Prostar electric chain hoist. Not the cheapest, but the best electric hoist in the entertainment industry. A quality product with many applications. Good tools must be well maintained and need replacement of parts on time. In order to ensure optimal performance and safety, official CM parts are required.

Flightcases for CM or GIS entertainment hoists, Chain Bags and Motor Covers for the Lodestar and Prostar Hoists from CM. The Chain Bags are rectangular bags for electric chain hoists used in the entertainment industry. This for use in upright or inverted position.

The products on the following pages are just a fraction of what we offer, more products are found in our online webshop where you can find all the necessary acquisitions to suit your needs.

Available in 7 sizes, the bags are held by two high resistance polyester straps which take the weight of the chain and distribute it evenly over the bracket/mounting kit. The strenght and flexibility of the fabric, the quality of the sewing and the certified materials ensures the chain bags remain the unrivalled lifting accessory.

The Motor Covers, in 3 sizes, are designed for Classic and New Lodestar inverted hoist use. Along with this we have various (multicore) cables, hooks and break-out-boxes.

Our salesteam is available for any advise in purchase or use of the accessories.

Please call + 31 (0) 75 650 47 52 or send an email to [info@lr.nl](mailto:info@lr.nl).



SPARE PARTS LODESTAR CLASSIC



SPARE PARTS LODESTAR NEW LINE



SPARE PARTS PROSTAR

# HOIST ACCESSORIES

## GIS + CM CHAIN BAGS

Chain bags for the CM Lodestar or CM Prostar electric hoists. CE marked snap hooks and quick links.

### MAIN FEATURES BAG:

- Safety factor 5:1 Fabric: 840 Nylon PVC coated
- 28 - 31% elongation value
- Test UNI ISO 13934-1:2000
- N502 medium breaking load value
- Test UNI 4818:1992 part 9

### MAIN FEATURES BELT:

- Polypropylene 5 cm
- 25 - 27% elongation value
- 240 filaments
- 1.100 kg minimum breaking point
- 175° Celsius melting point

### OPTIONAL FEATURES:

- CM mounting kit: a bracket & bolt for mounting on the hoist and an open end link to mount dead end part of the chain to the hoist body.



CTRSCBL010 - CTRSCBL015  
for Lodestar



CTCM21 - CTCM22  
for Prostar



CTRSTWN10K - CTRSTWN20K



LP\_9400.3208.3  
for GIS

ARTICLE CODE	TYPE X DIMENSIONS (cm) EXCL. HOOK AND BELT	CHAIN LENGTH (m) X CHAIN Ø (mm) 75% FILLED
CTRSCBL010	Rectangular 20 x 17 x 42	36 x 6,3 / 31 x 7 / 26 x 7,9 / 12 x 10
CTRSCBL012	Rectangular 20 x 17 x 58	54 x 6,3 / 42 x 7 / 31 x 7,9 / 17 x 10
CTRSCBL013	Rectangular 20 x 17 x 34	27 x 6,3 / 22 x 7 / 18 x 7,9 / 10 x 10
CTRSCBL014	Rectangular 20 x 17 x 88	93 x 6,3 / 74 x 7 / 55 x 7,9 / 30 x 10
CTRSCBL015	Rectangular 20 x 17 x 98	108 x 6,3 / 90 x 7 / 64 x 7,9 / 40 x 10
CTCM21	Rectangular 17 x 13 x 30	24 x 4
CTCM22	Rectangular 17 x 13 x 38	32 x 4
CTRSTWN10K	Mounting kit chain bag; large frame Lodestar	-
CTRSTWN20K	Mounting kit chain bag; small frame Lodestar	-
LP_9400.3208.3	Rectangular 21x19x42	56x4/28x5,5/20x7/10x9/6x11
LP_9400.3209.3	Rectangular 21x19x59	75x4/40x5,5/30x7/16x9/10x11
LP_9400.3210.3	Rectangular 21x19x94	108x5,5/55x7/35x9/28x11

## ELLER® CHAIN BAGS

Chain bags with hook for the ELLER hand chain hoists.



\* Hoist included

ARTICLE CODE	TYPE X DIMENSIONS	FOR HAND CHAIN HOIST	LIFT OF HEIGHT (m)*
ELHTTA501E	Round, Ø 150 mm x 200 mm	0,25 t	6
ELHTTA501S	Round, Ø 175 mm x 225 mm	0,5 t	10
ELHTTA501	Round, Ø 200 mm x 370 mm	1 t	12



## GIS FLIGHTCASES

### MAIN FEATURES:

- "GIS" logo engraving on two sides
- 9 mm wooden panels with strong black hexa finish
- Impact foam in the lid
- Wooden cradles
- 4 wheels (100 mm) with support plates
- Built-in retractable handles and butterfly locks
- Metal reinforced flat corners



CTFC-2LP500



CTFC-2LPM



CTFC-4LPM

ARTICLE CODE	DESCRIPTION	WEIGHT (kg)	L X W X H
CTFC-2LP500	Flight Case for 2 x GIS LP	36	790 x 495 x 600 mm
CTFC-2LPM	Flight Case for 2 x GIS LPM	26,5	665 x 470 x 630 mm
CTFC-4LPM	Flight Case for 4 x GIS LPM	40,5	800 x 630 x 630 mm

## CM FLIGHTCASES

### MAIN FEATURES:

- "CM" logo engraving on two sides
- 9 mm wooden panels with strong black hexa finish
- Impact foam in the lid
- Wooden cradles
- 4 wheels (100 mm) with support plates
- Built-in retractable handles and butterfly locks
- Metal reinforced flat corners



CTFC-2F-NL



CTFC-1F-NL / CTFC-IRRS



CTFC-4P

ARTICLE CODE	DESCRIPTION	WEIGHT (kg)
CTFC-1F-NL	1 x CM Lodestar, type F, new line	23
CTFC-2F-NL	2 x CM Lodestar, type F, new line	37
CTFC-1L-NL	1 x CM Lodestar, type L, new line	30
CTFC-IRRS	1 x CM Lodestar, type RRS	30
CTFC-2P	2 x CM Prostar	27
CTFC-4P	4 x CM Prostar	38

# HOIST ACCESSORIES

## ACCESSORIES



CTCOVER



CTSMART1



COON24015K

ARTICLE CODE	DESCRIPTION
CTCEES4R	CEE plug red; 4 pins 400V, separate (M)
CTCEEK54G	CEE plug yellow; 4 pins 110V, separate (F)
CTCB10	Nylon handle each
CTSMART1	Pickle
CTCOVER-L	Weather cover for large frame Lodestar hoists
CTCOVER-LPM	Weather cover for GIS LPM
CTCOVER-LP2500	Weather cover for GIS LP2500
CTCOVER-S-NL	Weather cover for small frame Lodestar hoists
COON24015K	Adjustable end stop kit for small frame (6,3 x 18,9 mm)
COON24016K	Adjustable end stop kit for large frame (7,9 x 21,7 mm)
COON-24785	Nylon shock absorber for small frame 6,3 x 18,9 mm)
COON-24786	Nylon shock absorber for large frame (7,9 x 21,7 mm)

# HOIST ACCESSORIES

## BREAK-OUT

- Harting break-out-box with 4 x CEE plugs
- Break-out Socapex F19 pins to 4 x CEE plugs.



LV

ARTICLE CODE	BREAK-OUT TYPE	TYPE	COLOUR
CTBOS4R	Socapex	19-p Socapex <--> 4 CEE 4-p	Red
CTBOS4G	Socapex	19-p Socapex <--> 4 CEE 4-p	Yellow
CTBOH4R	Harting	Harting <--> 4 CEE 4-p	Red
CTBOH4G	Harting	Harting <--> 4 CEE 4-p	Yellow



LV + DC

## MULTICORE CABLES LV / DC

Multicore cables for power or control. 18-core for 4 motors with Harting or Socapex.

### MAIN FEATURES:

- Flexible
- Long life time.

### OPTIONAL FEATURES:

- Other lengths available on request.



CTMKMHV20



CTMKMSV20

ARTICLE CODE	TYPE	LENGTH (m)	CONSTRUCTION
CTMKMHV20	Harting	20	18 x 2,5 <sup>2</sup>
CTMKMSV20	Socapex	20	18 x 2,5 <sup>2</sup>

## MOTOR POWER CABLES

Motor power cables with CEE 4-p 16A red plug and connector.

### MAIN FEATURES:

- Flexible
- Long life time

### OPTIONAL FEATURES:

- Other lengths available on request.



ARTICLE CODE	LENGTH (m)	CONSTRUCTION	ARTICLE CODE	LENGTH (m)	CONSTRUCTION
CTMKS05R	5	4 x 2,5 <sup>2</sup>	CTMKS25R	25	4 x 2,5 <sup>2</sup>
CTMKS10R	10	4 x 2,5 <sup>2</sup>	CTMKS30R	30	4 x 2,5 <sup>2</sup>
CTMKS15R	15	4 x 2,5 <sup>2</sup>	CTMKS40R	40	4 x 2,5 <sup>2</sup>
CTMKS20R	20	4 x 2,5 <sup>2</sup>			

## MOTOR CABLES FOR POWER AND CONTROL

Motor cables with CEE-4p red plug and yellow plugs.

### MAIN FEATURES:

- Flexible
- Long life time
- With CEE 4-p yellow and 16A red plug and connector.

### OPTIONAL FEATURES:

- Other lengths available on request.



ARTICLE CODE	LENGTH (m)	CONSTRUCTION 2 CABLES, EACH:	ARTICLE CODE	LENGTH (m)	CONSTRUCTION 2 CABLES, EACH:
CTMKM05	5	4 x 2,5 <sup>2</sup>	CTMKM25	25	4 x 2,5 <sup>2</sup>
CTMKM10	10	4 x 2,5 <sup>2</sup>	CTMKM30	30	4 x 2,5 <sup>2</sup>
CTMKM15	15	4 x 2,5 <sup>2</sup>	CTMKM40	40	4 x 2,5 <sup>2</sup>
CTMKM20	20	4 x 2,5 <sup>2</sup>			



Libra digital loadcell  
kinesys  
1: 0V 2: ANALOG 1: 0V 2: DATA-  
3: 5V 4: 24V 3: DATA+ 4: 24V  
ANALOG DIGITAL  
CE

# CONTROLLERS AND LOAD CELLS

## CONTROLLERS OF REPUTABLE BRANDS!

Our controllers have been produced by renowned manufacturers. Manufacturers who know what they're doing.

Sonos designs and manufactures controllers for electric chain hoists. They offer a standard range dedicated to the needs of the entertainment industry. These controllers are made for both low voltage and direct control hoists and come in various formats: wall-mounted, metal housing, rack or flightcase.

The controllers are versatile and offer extensive possibilities.

Sonos controllers, our technical department is at your disposal. Thanks to the SolidWorks 3D software, you are able to visualize the solutions we offer and to validate easily any of their aspects.

We offer and a quick design phase and production process, from prototype to end product, respecting the current norms.

Technology goes fast as it comes to controllers. As the catalogue is being printed we step into a new era of Altimate products. These products enable you to integrate a loadbalanced and controlled system with full hoist control. Just ask our salesteam for the latest information.

## THE KINESYS AND BROADWEIGH LOAD CELLS WILL MAKE RIGGING EVEN SAFER!

Both user-friendly systems were designed to assist the rigger when monitoring the loading and to possibly record this in a log file. This is an active contribution to safety; knowledge is power and this is now child's play for both systems.

Our salesteam is available for any advise in purchase or use of controllers or load cells.

Please call + 31 (0) 75 650 47 52 or send an email to [info@lr.nl](mailto:info@lr.nl).



# CONTROLLERS

## CONTROLLER IN WATERTIGHT CASE, 2 CHANNEL

Designed for small-scale applications, this compact and lightweight controller can operate simultaneously 2 electric chain hoists. It will be perfect for audio and video equipment rigging, such as lifting a line-array or a LED screen. The controller can be equipped with a 16A or a 32A CEE connector for the power supply, depending on your usual electrical environment.



## CONTROLLER IN WATERTIGHT CASE, 4 CHANNEL DC

Designed to suit the needs of rental and rigging companies looking for a simple and reliable control solution, this hoist controller can control simultaneously 4 electric chain hoists. A durable and lightweight controller that can be transported easily on any of your job.

As an option, the controller can also receive an additional Harting or Socapex output, allowing the use of a multicore cable between the controller and the hoists.

- Thermal magnetic circuit breakers protect your hoists against power surges and shorts whilst allowing the intensity peak that occurs when starting electric hoists
- The emergency stop button with keylock offers an immediate and grouped stop of the hoists when a dangerous situation occurs
- Phases indicators lights to check your power input
- Ready indicator confirms that the controller is ready for operation.

### MAIN FEATURES:

- Strong and waterproof case makes this controller resistant to impacts, dust and rain
- Galvanized steel framework fitted inside the controller provides a strong and durable anchor to the components

### SPECIFICATIONS:

- Power: 380-415V / 3 Ph / 47-63 Hz
- Input connector: 400V CEE Plug 32A - 3P+N+E
- Outputs connectors: 400V CEE Plugs 16A - 3P+E
- Optional extra output connector: 1x Socapex 419 or 1x Harting 16.



# CONTROLLERS



ARTICLE CODE	OUTPUT EXTRA CONNECTOR	LV/DC	WEIGHT (kg)	EXTERNAL SIZE (mm)	NUMBER OF CHANNELS
CTUMCDC02V	-	DC	5,6	336 x 300 x 154	2
CTUMCDC02VI	-	DC	5,6	336 x 300 x 154	2
CTUMCDC04VH	1x Harting	DC	10,3	466 x 364 x 182	4
CTUMCDC04VS	1x Socapex	DC	10,3	466 x 364 x 182	4
CTUMCDC04V	-	DC	10,3	466 x 364 x 182	4
CTUMCDC06V	-	DC	10,3	466 x 364 x 182	6
CTUMCDC08V	-	DC	16,5	575 x 428 x 214	8
CTUMCLV02V	-	LV	6	466 x 364 x 182	2
CTUMCLV04V	-	LV	16,5	575 x 428 x 214	4

## OPTIONAL:

- Available for 4 - 6 - 8 channels
- Fast Action Button (FAB)
- Master - Slave
- Handset
- Low voltage control.



2 ch Low voltage control



4 ch Low voltage control

# CONTROLLERS

## NEW SONOSS DIGITAL CONTROLLERS

New in the range of controllers; specially for touring applications.

This new line is for direct controlled, or low voltage hoists. Available in a 12 channel version. Controller comes in a 12U with wheels for easy handling. Standard output is CEE 4pins connector. Other connectors like Socapex and Harting are possible. Emergency stop is on SIL 2 level. Controller can be operated directly on the controller or via a remote control or wireless with the optional RTX1 receiver.

The remote control RT72-W-WL can be wired as wireless remote control, and up to 72 channels. Connect 6 x 12 ch touring controllers (LV or DC) with a single digital wire cable link or wireless link.

### MAIN FEATURES:

- Main power 400V/50Hz
- Height 12 way with wheels 637 mm, without wheels 495 mm
- Inner dimension 19" 3U
- Connector main CEE 5 pole 32A
- Output power include industry standard Socapex & Harting connections
- Emergency stop SIL 2

- With remote
- Breaker protection for each pair of hoists
- Automatic phase reversal correction:
- Electromagnetic Compatibility (EMC) certificate.

### MORE INFORMATION?

Please contact our sales team for more information or a quotation. Call +31 (0) 75 - 650 47 52 or send an e-mail to info@lr.nl.



Remote Control



RTX1 receiver



Remote control RT72-W-WL

## NEW SONOSS DIGITAL WALL MOUNT CONTROLLERS

### MAIN FEATURES:

- Cable entries on top or bottom side
- 12-72 channels
- Local or remote control
- Hybride 4 in 1 individual hoist protection
- Group stop
- Wired or wireless remote.



Digital TD48WWW



## CONTROLLER IN FLIGHTCASE

### MAIN FEATURES:

- Operation direct on the controller
- With 4 pins CEE plugs
- For direct control hoists (DC) or low voltage hoists (LV).



LV



DC

ARTICLE CODE	NUMBER OF CHANNELS	LV / DC
CTUMC04VF	4	DC
CTUMC06VF	6	DC
CTUMC08VF	8	DC
CTUMC12VF	12	DC
CTUMC04F	4	LV
CTUMC06F	6	LV
CTUMC08F	8	LV
CTUMC12F	12	LV

## CONTROLLER FOR WALL MOUNTING

### MAIN FEATURES:

- Controller for wall mounting
- Direct cable in and output
- For direct control hoists (DC) or low voltage hoists (LV)
- Operation directly on the controller.



ARTICLE CODE	NUMBER OF CHANNELS	LV / DC
CTUMC04VW	4	DC
CTUMC06VW	6	DC
CTUMC08VW	8	DC
CTUMC12VW	12	DC
CTUMC04W	4	LV
CTUMC06W	6	LV
CTUMC08W	8	LV
CTUMC12W	12	LV

## CONTROLLER IN FLIGHTCASE, REMOTE

### MAIN FEATURES:

- With remote control
- With 4 pins CEE plug
- For direct control hoists (DC) or low voltage hoists (LV)
- Operation per remote control (remote control cable length standard 15m)
- With automatic phase detection.



LV



DC

ARTICLE CODE	NUMBER OF CHANNELS	LV / DC
CTUMC04ADV	4	DC
CTUMC06ADV	6	DC
CTUMC08ADV	8	DC
CTUMC12ADV	12	DC
CTUMC04AD-4F	4	LV
CTUMC06AD-4F	6	LV
CTUMC08AD-4F	8	LV
CTUMC12AD-4F	12	LV

## CONTROLLER FOR WALL MOUNTING, REMOTE

### MAIN FEATURES:

- Controller for wall mounting
- Direct cable in and output
- For direct control hoists (DC) or low voltage hoists (LV)
- Operation per remote control (remote control cable length standard 15m)
- With automatic phase detection.



Remote control

ARTICLE CODE	NUMBER OF CHANNELS	LV / DC
CTUMC04ADW	4	DC
CTUMC06ADW	6	DC
CTUMC08ADW	8	DC
CTUMC12ADW	12	DC
CTUMC04ADW	4	LV
CTUMC06ADW	6	LV
CTUMC08ADW	8	LV
CTUMC12ADW	12	LV

# CONTROLLERS

## HAND CONTROLLER

**MAIN FEATURES:**

- Operation direct on the hand controller
- With 4 pins CEE plug
- For direct control hoists (DC)
- Including E-stop.



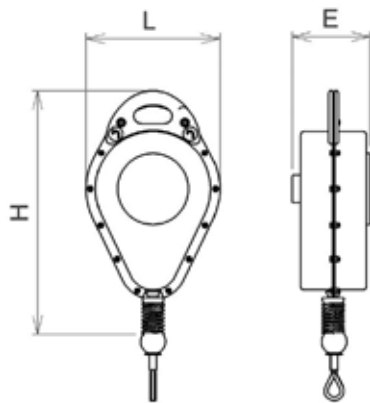
ARTICLE CODE	NUMBER OF CHANNELS
CTPLE-30-010	1
CTPLE-30-020	2



## NEOFEU LOAD FALL ARRESTER

### MAIN FEATURES:

- Steel housing with cathaphoresis treatment + black epoxy coating
- Quick locking brake with two pawls
- Galvanized steel cable
- Integrated shock absorber
- Arrest distance reduced



ARTICLE CODE	SAFE WORKING LOAD (KG)	CABLE LENGTH (M)	WEIGHT (KG)
NF-NCHLL100-10	100	10	6
NF-NCHLL100-20	100	20	10
NF-NCHLL100-30	100	30	15
NF-NCHLL200-10	200	10	6
NF-NCHLL200-15	200	15	10
NF-NCHLL200-20	200	20	12
NF-NCHLL200-30	200	30	15
NF-NCHLL250-10A	250	10	6
NF-NCHLL250-15	250	15	8
NF-NCHLL250-20	250	20	10
NF-NCHLL250-30	250	30	15
NF-NCHLL320-10A	320	10	6
NF-NCHLL320-15	320	15	13
NF-NCHLL320-25	320	25	14
NF-NCHLL400-15	400	15	15
NF-NCHLL400-25	400	25	15
NF-NCHLL500-10	500	10	17
NF-NCHLL500-15	500	15	16
NF-NCHLL500-20	500	20	17



# LOAD ARRESTS

## GUARD LOAD ARREST

Guard load arrestors are heavy-duty fall arrest blocks for protecting equipment that is suspended at height.

Load arrestors provide a secondary safety back-up for overhead loads, used in conjunction with a primary lifting device or support, such as a hoist or fixed anchorage. If the primary support fails, the load arrestor will automatically stop the load from falling, thereby preventing damage to the load and, more importantly, protecting people below.

Guard load arrestors have a high-strength retractable rope that extracts and retracts, following the movement of the load. This means Guards can be fitted to equipment that needs to be moved (dynamic loads), as well as to non-moving (static) loads.

### MAIN FEATURES:

- Maximum working load (MWL) options: 150, 300, 500, 800, 1000, 1500 kg
- Rope lengths up to 25 m
- Integrated shock absorption minimises damage
- Fall indicator lens for easy monitoring
- High grade galvanised or stainless steel options
- Rope automatically extends/retracts



NAME	ARTICLE CODE	MAX. WORKING LOAD (KG)	ROPE LENGTH (M)	ROPE & SHACKLE MATERIAL	MIN. ANCHOR STRENGTH (kN)	MAX. RUNNING SPEED (M/S)
Guard150	GSE150-14G	150	14	Galvanised Steel	7.4	1
Guard300	GSE300-10G	300	10	Galvanised Steel	14.1	0.7
Guard300	GSE300-25G	300	25	Galvanised Steel	14.1	0.7
Guard500	GSE500-10G	500	10	Galvanised Steel	20.6	0.7
Guard500	GSE500-24G	500	24	Galvanised Steel	20.6	0.7
Guard1000	GSE1000-10G	1000	10	Galvanised Steel	45.1	0.6
Guard1500	GSE1500-10G	1000	10	Galvanised Steel	63.3	0.6

# LOAD CELLS

## KINESYS LIBRA LOAD CELLS

A very compact load cell built-in in a shackle.

Two versions are available: a 3,25 t version and a 4,75 t version. These capacities provide a safety factor of more than 10 at a safe working load of 1 t and 2 t, respectively. The load cells can be linked with standard XLR4 cables. Power is supplied from the basic power supply unit or from the Pro power supply unit. With the Pro unit loads are displayed on a LCD display and up to 75 load cells can be supplied with power. With the basic unit loads have to be read out on a separate PC and up to 25 cells can be supplied with power. Load cells can also be connected directly to the DigiHoist controller.



See our website [www.lr.nl](http://www.lr.nl) for the full catalogue or ask one of our employees.

Via libra watch and libra wifi the load cell data can be read out on a tablet or smartphone.

ARTICLE CODE	DESCRIPTION
KI-LIB-00-0010	Load cell 3,25 t - shackle cable version
KI-LIB-00-0020	Load cell 4,75 t - shackle cable version
KI-LIB-00-0030	Load cell basic power supply unit
KI-LIB-00-0040	Load cell professional power supply unit

## BROADWEIGH LOAD CELLS, WIRELESS

New generation 2.4 GHz Wireless load monitoring sensors.



**BW-WSS**  
Wireless wind speed sensor



**BW-HR**  
Wireless Handheld Display



**BW-CASE-B**  
New compact case



**BW-S475 & BW-S325**  
Wireless Stainless steel bow shackle including black surface treatment.



**BW-BSU-E**  
Wireless USB Base Station



**BW-BSD**  
Wireless Dongle Base Station



**BW-AR**  
Active repeater

## BROADWEIGH LOAD CELLS, WIRELESS

Dynamic Load Monitoring Equipment - BroadWeigh.

BroadWeigh™ portable wireless load monitoring system is designed to assist rigging and technical professionals. The system provides static and dynamic peak loads in real-time to ensure no point is overloaded. Simple and comprehensive in nature, the wireless system offers quick and easy set up.

Incorporating stainless steel shackle and a high accuracy load pin with a unique small head height design, the system provides up to 800 metres wireless range. BroadWeigh can be expanded to suit individual requirements by simply adding additional load cells.

### MAIN FEATURES:

- New Generation 3 now released
- Smart Sleep protects battery life whilst monitoring
- Comfortable in the most challenging RF environments
- Easy power cycle with one swipe using new magnetic fob
- New bow brings superior tolerances, finish and durability
- Unit conversion for kg, lbs, tonnes, ton, ton (US), kN
- 3250 kg or 4750 kg weight range
- Accuracy typically  $\pm 1\%$  of current load or  $\pm 25$  kg (whichever is the greater value)
- Fully weatherised (IP67)
- Machinery Directive 2006/42/EC compliant
- Zero Trim Shackle
- 5:1 safety factor
- Anti-rotational bracket
- Supplied pre-calibrated



ARTICLE CODE	DESCRIPTION
BWSHK3	Load cell 3,25t shackle wireless
BWSHK4	Load cell 4,75t shackle wireless
BWHR	Handheld display
BWBSU-E	USB Base station extended range
BW-AR	Active repeater for T24 wireless Telemetry
BWWS	Wireless wind speed sensor
BW-LOG100	Data logging software package for advanced monitoring up to 100 channels
BW-CASE-A*	Case on wheels for max. 16 cells, excl. inserts
BW-CASE-A-12	Case on wheels with 4 inserts for 12 cells, handheld, USB receiver and active repeater
BW-CASE B*	Case for max. 8 cells, excl. inserts for shackles, incl. lid enclosure for holding hand held, base station, active repeater, USB drive
BW-CASE-B-8	Case with 2 inserts for 8 cells and lid enclosure for holding hand held, base station, active repeater, USB drive
BW-INSERT-A	Insert for 3,25t shackles; 4 shackles in 1 insert
BW-INSERT-B	Insert for Handheld, USB receiver, active repeater
BW-INSERT-C	Insert for 4,75t shackles; 4 shackles in 1 insert

\* a case A always need 4 inserts; a case B always needs 2 inserts





## OUR OWN BRAND ELLER®!

Louis Reyners offers a wide arranged group of products under our own brand named ELLER. These products are of the highest quality and are continually being developed for improvement. These competitive priced items are quickly available from stock.

In our ELLER product line are the following products included:

- Beam clamps
- Tent clamps
- Rack Jacks
- Tools
- Buckle straps
- Hand chain hoists
- Hand pallet trucks
- Shackles
- Webbing slings
- Mechanical- and hydraulic jacks
- Lever hoists
- Round slings
- Ratchet lashings
- Soft steels
- Grip pullers
- Steels
- Fall protection.

Our salesteam is available for any advise in purchase or use of the rigging products. Please call + 31 (0) 75 650 47 52 or send an email to [info@lr.nl](mailto:info@lr.nl).

# RIGGING PRODUCTS

## ELLERSLING ROUND SLINGS

Ellersling polyester round slings are used when materials like chain or wire rope could damage the load.

### MAIN FEATURES:

- According to Machine Directive
- Safety factor 7
- Label in protective cover
- Computerized stitching
- Double woven jacket
- Polyester
- Sealed per piece with CE declaration and manual



### OPTIONAL FEATURES:

- Other capacities and lengths available on request.
- Printing on label of company logo / name on request possible

ARTICLE CODE	WLL (t)	CIRCUMFERENCE (m)	EFFECTIVE WORKING LENGTH (m)	QUANTITY
ESER01-02Z	1	2	1,0	50
ESER01-03Z	1	3	1,5	45
ESER01-04Z	1	4	2,0	35
ESER01-06Z	1	6	3,0	20
ESER02-02Z	2	2	1,0	45
ESER02-03Z	2	3	1,5	35
ESER02-04Z	2	4	2,0	20
ESER02-06Z	2	6	3,0	15



Label with barcode

Colour	Safe Working Load				
	1	0,8	2	1,4	1
	Straight lift	Choked lift	Parallel	$\alpha = \text{up to } 45^\circ$	$\alpha = 45^\circ \text{ up to } 60^\circ$
WLL (t)					
1	1	0,8	2	1,4	1
2	2	1,6	4	2,8	2

# RIGGING PRODUCTS

## ELLER® SOFT STEELS

### MAIN FEATURES:

- For extended temperature range, max. 150°C
- Round sling with steel wire rope instead of polyester

### OPTIONAL FEATURES:

- Other capacities and lengths available on request
- Printing or embroider of company logo / name on request possible



ARTICLE CODE	WLL ACCORDING DGUV17 (10:1) (t)	WLL 5:1 (t)	CIRCUMFERENCE (m)	EFFECTIVE WORKING LENGTH (m)	QUANTITY
ESER01-01SK	0,5	1	1	0,5	30
ESER01-02SK	0,5	1	2	1,0	30
ESER01-03SK	0,5	1	3	1,5	25
ESER01-04SK	0,5	1	4	2,0	15
ESER02-01SK	1,0	2	1	0,5	25
ESER02-02SK	1,0	2	2	1,0	20
ESER02-03SK	1,0	2	3	1,5	20
ESER02-04SK	1,0	2	4	2,0	10
ESER02-05SK	1,0	2	5	2,5	10
ESER02-06SK	1,0	2	6	3,0	10
ESER03-03SK	1,5	3	3	1,5	5
ESER03-04SK	1,5	3	4	2	5
ESER04-03SK	2,0	4	3	1,5	5
ESER04-04SK	2,0	4	4	2	5



# RIGGING PRODUCTS

## ELLERSTRAP LASHINGS WITH BUCKLE

### MAIN FEATURES:

- 1 part
- Black lashing.

### OPTIONAL FEATURES:

- Other capacities and lengths available on request
- Individual printing on lashing strap and other Colours available on request.



ARTICLE CODE	LENGTH (m)	LASHING WIDTH (mm)	PU QUANTITY
ESG25L1-01	1	25	100
ESG25L1-02	2	25	100
ESG25L1-03	3	25	100
ESG25L1-04	4	25	100
ESG25L1-05	5	25	100

## ELLERSTRAP 1 PART WITH RATCHET

### MAIN FEATURES:

- Black lashing and black ratchet
- According EN 12195-2.

### OPTIONAL FEATURES:

- Other capacities and lengths available on request
- Individual printing on lashing strap or other Colours available on request.



ARTICLE CODE	LENGTH (m)	LASHING WIDTH (mm)	TENSILE STRENGTH (LC) STRAPPED (dAN)	PU QUANTITY
ESR25L1-04Z	4	25	500	30
ESR25L1-05Z	5	25	500	30
ESR25L1-06Z	6	25	500	30
ESR50Z1-04Z	4	50	5.000	10
ESR50Z1-09Z	9	50	5.000	10

## ELLERSTRAP 2 PARTS WITH RATCHET

### MAIN FEATURES:

- With closed double J hook
- Black lashing and black ratchet
- According EN 12195-2.

### OPTIONAL FEATURES:

- Other capacities and lengths available on request
- Individual printing on lashing strap and other Colours available on request.



Standard with double J hooks

ARTICLE CODE	LENGTH (m)	LASHING WIDTH (mm)	TENSILE STRENGTH (LC) STRETCHED (DAN)	TENSILE STRENGTH (LC) STRAPPED (DAN)	PU QUANTITY
ESR25L2-03Z	3	25	250	500	30
ESR25L2-05Z	5	25	250	500	30
ESR25L2-08Z	8	25	250	500	30
ESR25Z2-04Z	4	25	750	1.500	30
ESR25Z2-05Z	5	25	750	1.500	20
ESR25Z2-06Z	6	25	750	1.500	20
ESR35Z2-04Z	4	35	1.500	3.000	20
ESR35Z2-05Z	5	35	1.500	3.000	20
ESR35Z2-08Z	8	35	1.500	3.000	20
ESR50Z2-05Z	5	50	2.500	5.000	10
ESR50Z2-08Z	8	50	2.500	5.000	10
ESR50Z2-09Z	9	50	2.500	5.000	10

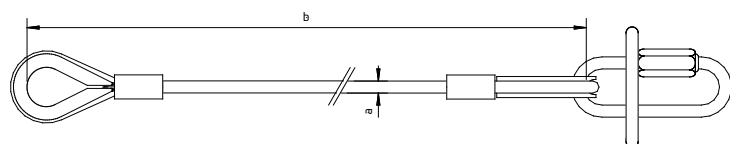


Black ratchet



## ASSEMBLED SAFETY'S

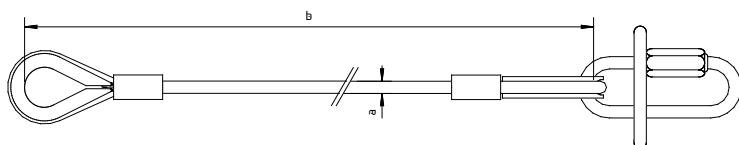
- Safety's according to BGV-C1
- produced in accordance to DIN 56927 / DGUV
- Galvanized
- Used as a securing rope
- Galvanized in wire rope construction 6x19+PPC
- Pressed with aluminium ferrules
- Both ends fitted with a thimble
- Including safety quicklink on one end
- Maximum drop height object 20 cm
- Available with certificate



ARTICLE CODE	MAX MASSA KG	a - Ø MM	b MTR	OPENING QUICKLINK MM
SAFV03000600	5	3	0,6	11,5
SAFV04000600	10	4	0,6	11,5
SAFV05000600	15	5	0,6	13
SAFV06000600	20	6	0,6	13
SAFV03001000	8	3	1	11,5
SAFV04001000	15	4	1	11,5
SAFV05001000	25	5	1	13
SAFV06001000	35	6	1	13

## BLACK SAFETY'S

- According to BGV-C1
- Produced in accordance to din 56927 / DGUV
- Used as a securing rope
- Black in wire rope construction 6x19+ppc
- Pressed with aluminium ferrules
- Both ends fitted with a thimble
- Ncluding safety quicklink on one end
- Maximum drop height object 20 cm
- Available with certificate



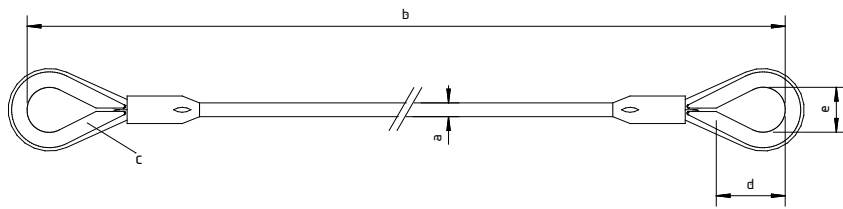
ARTICLE CODE	MAX MASSA KG	a - Ø MM	b MTR	OPENING QUICKLINK MM
SAFZ03000600	5	3	0,6	11,5
SAFZ04000600	10	4	0,6	11,5
SAFZ05000600	15	5	0,6	13
SAFZ06000600	20	6	0,6	13
SAFZ03001000	8	3	1	11,5
SAFZ04001000	15	4	1	11,5
SAFZ05001000	25	5	1	13
SAFZ06001000	35	6	1	13

# STEELS

## STEELS WITHOUT HOSE

### MAIN FEATURES:

- Pressed conical with coloured thimbles
- Galvanized
- Standard in construction 6x36WS+IWRC
- Pressed conical part of the ferrule prevents catching on obstacles
- Coloured thimbles for length identification
- IT steels with oversized thimble suitable for a 3,25T shackle
- 2T steels with oversized thimble suitable for a 4,75T shackle
- Available with certificate
- Colour code as ARGH! guidelines
- Other configurations upon request available

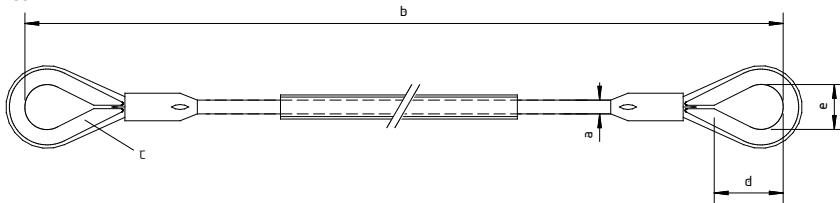


## STEELS WITH HOSE

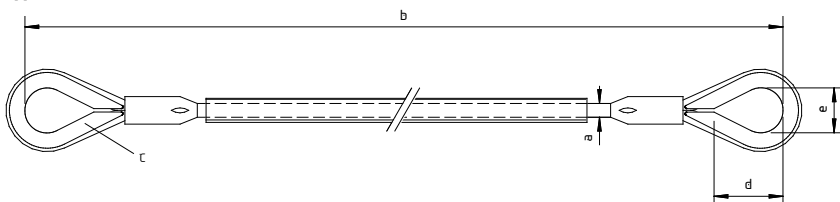
### MAIN FEATURES:

- Pressed conical with coloured thimbles
- Standard in construction 6x36WS+IWRC
- Pressed conical part of the ferrule prevents catching on obstacles
- Transparent heavy duty hose between the ferrules
- Coloured thimbles for length identification
- IT steels with oversized thimble suitable for a 3,25T shackle
- 2T steels with oversized thimble suitable for a 4,75T shackle
- Available with certificate
- Colour code as ARGH! guidelines
- Type A with hose over 50% of length between the ferrules
- Type B with hose over the complete length between the ferrules
- Other configurations upon request available

### Type A



### Type B





ARTICLE CODE	WLL (t)	a - Ø (MM)	b (M)	COLOUR	d (MM)	e (MM)
CTST1-0.5	1	10	0,5	Grey	57	35
CTST1-0.75	1	10	0,75	Orange	57	35
CTST1-01	1	10	1	Yellow	57	35
CTST1-01.5	1	10	1,5	Blue	57	35
CTST1-02	1	10	2	Green	57	35
CTST1-02,5	1	10	2,5	Brown	57	35
CTST1-03	1	10	3	White	57	35
CTST1-04	1	10	4	Black	57	35
CTST1-05	1	10	5	Red	57	35
CTST1-06	1	10	6	Gold	57	35
CTST1-07.5	1	10	7,5	Purple	57	35
CTST1-08	1	10	8	Pink	57	35
CTST1-10	1	10	10	Yellow	57	35
CTST2-0.65	2	14	0,65	Grey/Orange	65	45
CTST2-0.75	2	14	0,75	Orange	65	45
CTST2-01	2	14	1	Yellow	65	45
CTST2-01.5	2	14	1,5	Blue	65	45
CTST2-02	2	14	2	Green	65	45
CTST2-2.5	2	14	2,5	Brown	65	45
CTST2-03	2	14	3	White	65	45
CTST2-04	2	14	4	Black	65	45
CTST2-05	2	14	5	Red	65	45
CTST2-06	2	14	6	Gold	65	45
CTST2-07.5	2	14	7,5	Purple	65	45
CTST2-08	2	14	8	Pink	65	45
CTST2-10	2	14	10	Yellow	65	45

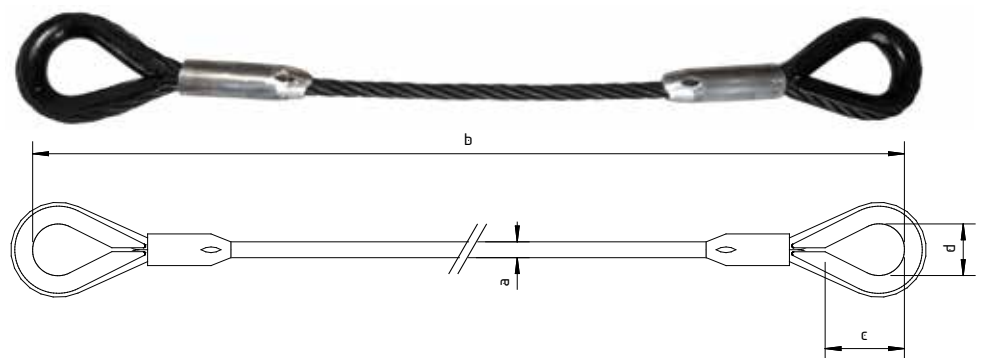
ARTICLE CODE TYPE A	ARTICLE CODE TYPE B	WLL (t)	a - Ø (MM)	b (M)	COLOUR	d (MM)	e (MM)
CTST1-0.5P	RDBS10000501	1	10	0,5	Grey	57	35
CTST1-0.75P	RDBS10000751	1	10	0,75	Orange	57	35
CTST1-01P	RDBS10001001	1	10	1	Yellow	57	35
CTST1-01.5P	RDBS10001501	1	10	1,5	Blue	57	35
CTST1-02P	RDBS10002001	1	10	2	Green	57	35
CTST1-02,5P	RDBS10002501	1	10	2,5	Brown	57	35
CTST1-03P	RDBS10003001	1	10	3	White	57	35
CTST1-04P	RDBS10004001	1	10	4	Black	57	35
CTST1-05P	RDBS10005001	1	10	5	Red	57	35
CTST1-06P	RDBS10006001	1	10	6	Gold	57	35
CTST1-07.5P	RDBS10007501	1	10	7,5	Purple	57	35
CTST1-08P	RDBS10008001	1	10	8	Pink	57	35
CTST1-10P	RDBS10010001	1	10	10	Yellow	57	35
CTST2-0.65P	RDBS14000651	2	14	0,65	Grey/Orange	65	45
CTST2-0.75P	RDBS14000751	2	14	0,75	Orange	65	45
CTST2-01P	RDBS14001001	2	14	1	Yellow	65	45
CTST2-01.5P	RDBS14001501	2	14	1,5	Blue	65	45
CTST2-02P	RDBS14002001	2	14	2	Green	65	45
CTST2-02.5P	RDBS14002501	2	14	2,5	Brown	65	45
CTST2-03P	RDBS14003001	2	14	3	White	65	45
CTST2-04P	RDBS14004001	2	14	4	Black	65	45
CTST2-05P	RDBS14005001	2	14	5	Red	65	45
CTST2-06P	RDBS14006001	2	14	6	Gold	65	45
CTST2-07.5P	RDBS14007501	2	14	7,5	Purple	65	45
CTST2-08P	RDBS14008001	2	14	8	Pink	65	45
CTST2-10P	RDBS14010001	2	14	10	Yellow	65	45

# STEELS

## BLACK STEELS

### MAIN FEATURES:

- Pressed conical with black thimbles
- Standard in construction 7x19 black
- Pressed conical part of the ferrule prevents catching on obstacles
- 1T steels with oversized thimble suitable for a 3,25T shackle
- 2T steels with oversized thimble suitable for a 4,75T shackle
- Available with certificate
- Other configurations upon request available

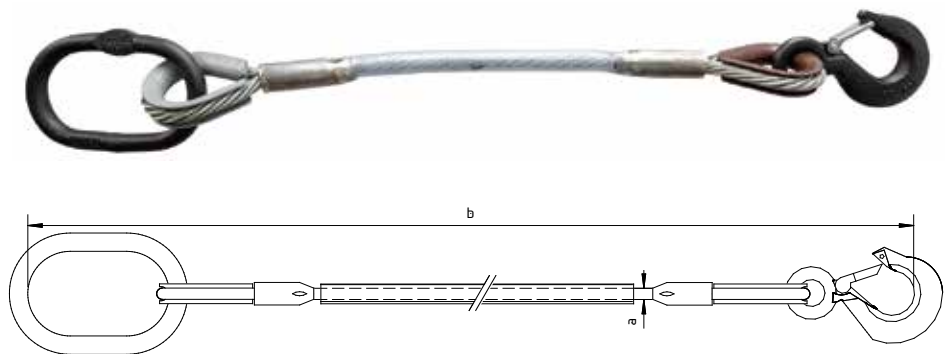


ARTICLE CODE	WLL (t)	a (MM)	b (M)	c (MM)	d (MM)
RDBZ10000500	1	10	0,5	57	35
RDBZ10000750	1	10	0,75	57	35
RDBZ10001000	1	10	1	57	35
RDBZ10001500	1	10	1,5	57	35
RDBZ10002000	1	10	2	57	35
RDBZ10002500	1	10	2,5	57	35
RDBZ10003000	1	10	3	57	35
RDBZ10004000	1	10	4	57	35
RDBZ10005000	1	10	5	57	35
RDBZ10006000	1	10	6	57	35
RDBZ10007500	1	10	7,5	57	35
RDBZ10008000	1	10	8	57	35
RDBZ10010000	1	10	10	57	35
RDBZ13000650	2	13	0,65	65	45
RDBZ13000750	2	13	0,75	65	45
RDBZ13001000	2	13	1	65	45
RDBZ13001500	2	13	1,5	65	45
RDBZ13002000	2	13	2	65	45
RDBZ13002500	2	13	2,5	65	45
RDBZ13003000	2	13	3	65	45
RDBZ13004000	2	13	4	65	45
RDBZ13005000	2	13	5	65	45
RDBZ13006000	2	13	6	65	45
RDBZ13007500	2	13	7,5	65	45
RDBZ13008000	2	13	8	65	45
RDBZ13010000	2	13	10	65	45

## BASKET STEELS WITH HOSE

### MAIN FEATURES:

- Pressed conical and with coloured thimbles
- Standard in construction 6x36WS+IWRC dry
- Pressed conical part of the ferrule prevents catching on obstacles
- Transparent heavy duty hose between the ferrules
- Coloured thimbles for length identification
- One end with a master link
- Other end with an eyehook with safety latch
- Available with certificate
- Colour code as ARGH! guidelines
- Other configurations upon request available



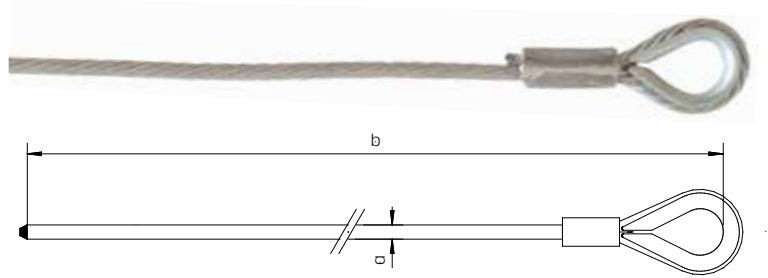
ARTICLE CODE	WLL (t)	a (MM)	b (M)	COLOUR
RDBS10001003	1	10	1	Yellow
RDBS10001503	1	10	1,5	Blue
RDBS10002003	1	10	2	Green
RDBS10002503	1	10	2,5	Brown
RDBS10003003	1	10	3	White
RDBS10004003	1	10	4	Black

# ASSEMBLED WIRE ROPES

## GALVANIZED WIRE ROPE 1 X THIMBLE

### MAIN FEATURES:

- 1 x thimble, 1 x annealed end
- Standard in construction 7x19 galvanized dry
- Pressed with aluminium ferrules
- One end assembled with galvanized thimbles
- One annealed end to prevent the rope from unraveling
- Available with certificate
- To be used in combination with Reutlinger cable gliders
- Other configurations upon request available



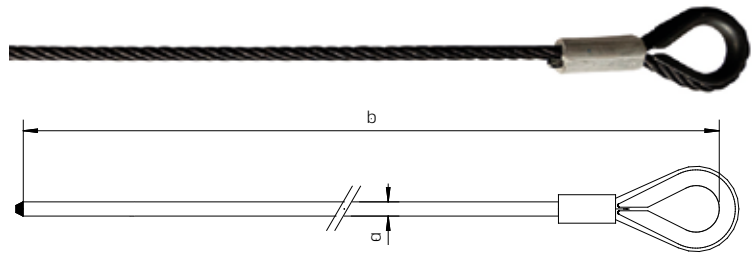
ARTICLE CODE	WLL (KG)	a - Ø (MM)	b (M)
RDBV03000501	100	3	0,5
RDBV03001001	100	3	1
RDBV03001501	100	3	1,5
RDBV03002001	100	3	2
RDBV03003001	100	3	3
RDBV03004001	100	3	4
RDBV03005001	100	3	5
RDBV03006001	100	3	6
RDBV04000501	190	4	0,5
RDBV04001001	190	4	1
RDBV04001501	190	4	1,5
RDBV04002001	190	4	2
RDBV04003001	190	4	3
RDBV04004001	190	4	4
RDBV04005001	190	4	5
RDBV04006001	190	4	6
RDBV05000501	290	5	0,5
RDBV05001001	290	5	1
RDBV05001501	290	5	1,5
RDBV05002001	290	5	2
RDBV05003001	290	5	3
RDBV05004001	290	5	4
RDBV05005001	290	5	5
RDBV05006001	290	5	6
RDBV06000501	420	6	0,5
RDBV06001001	420	6	1
RDBV06001501	420	6	1,5
RDBV06002001	420	6	2
RDBV06003001	420	6	3
RDBV06004001	420	6	4
RDBV06005001	420	6	5
RDBV06006001	420	6	6
RDBV08000501	750	8	0,5
RDBV08001001	750	8	1
RDBV08001501	750	8	1,5
RDBV08002001	750	8	2
RDBV08003001	750	8	3
RDBV08004001	750	8	4
RDBV08005001	750	8	5
RDBV08006001	750	8	6

# ASSEMBLED WIRE ROPES

## BLACK WIRE ROPE 1 X THIMBLE, 1 X ANNEALED

### MAIN FEATURES:

- Fitted with 1 black thimble and 1 annealed end
- Standard in construction 7x19
- Pressed with aluminium ferrule
- One end with black thimble
- One annealed end to prevent the rope from unraveling
- Available with certificate
- To be used in combination with Reutlinger cable gliders
- Other configurations upon request available



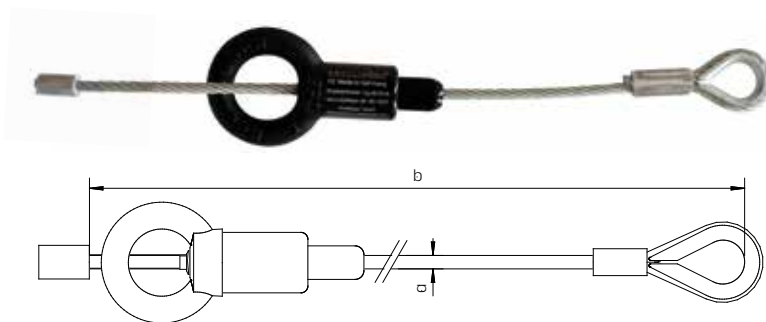
ARTICLE CODE	WLL (KG)	a - Ø (MM)	b (M)
RDBZ03000501	100	3	0,5
RDBZ03001001	100	3	1
RDBZ03001501	100	3	1,5
RDBZ03002001	100	3	2
RDBZ03003001	100	3	3
RDBZ03004001	100	3	4
RDBZ03005001	100	3	5
RDBZ03006001	100	3	6
RDBZ04000501	190	4	0,5
RDBZ04001001	190	4	1
RDBZ04001501	190	4	1,5
RDBZ04002001	190	4	2
RDBZ04003001	190	4	3
RDBZ04004001	190	4	4
RDBZ04005001	190	4	5
RDBZ04006001	190	4	6
RDBZ05000501	290	5	0,5
RDBZ05001001	290	5	1
RDBZ05001501	290	5	1,5
RDBZ05002001	290	5	2
RDBZ05003001	290	5	3
RDBZ05004001	290	5	4
RDBZ05005001	290	5	5
RDBZ05006001	290	5	6
RDBZ06000501	420	6	0,5
RDBZ06001001	420	6	1
RDBZ06001501	420	6	1,5
RDBZ06002001	420	6	2
RDBZ06003001	420	6	3
RDBZ06004001	420	6	4
RDBZ06005001	420	6	5
RDBZ06006001	420	6	6
RDBZ08000501	750	8	0,5
RDBZ08001001	750	8	1
RDBZ08001501	750	8	1,5
RDBZ08002001	750	8	2
RDBZ08003001	750	8	3
RDBZ08004001	750	8	4
RDBZ08005001	750	8	5
RDBZ08006001	750	8	6

# ADJUSTABLE STEELS

## GALVANIZED WIRE ROPE 1 X THIMBLE 1 X CABLE GLIDER

### MAIN FEATURES:

- With 1 x galvanized thimble, 1 x cable glider with eye, 1 x end clamp
- Standard in construction 7x19 galvanized dry
- Pressed with aluminium ferrule
- One end with thimble
- One end with aluminium ferrule to prevent loss cable glider
- Black Reutlinger cable glider with eye between the 2 ferrules
- Cable glider makes it possible to adjust the length from eye to eye
- Available with certificate
- Other configurations upon request available

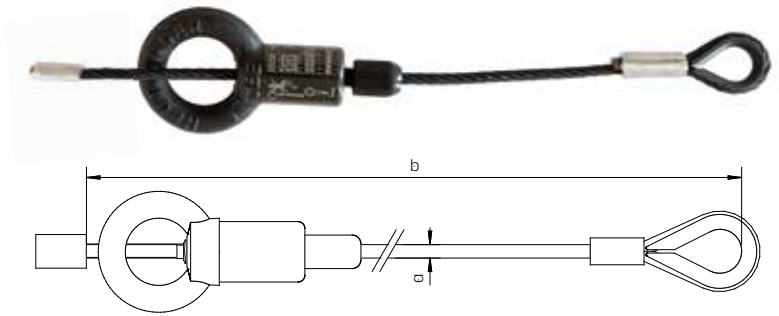


ARTICLE CODE	a - Ø (MM)	b (M)	WLL DGVV (KG)	WLL TÜV (KG)
RDBV03000502	3	0,5	nvt	85
RDBV03001002	3	1	nvt	85
RDBV03001502	3	1,5	nvt	85
RDBV03002002	3	2	nvt	85
RDBV03003002	3	3	nvt	85
RDBV03004002	3	4	nvt	85
RDBV03005002	3	5	nvt	85
RDBV03006002	3	6	nvt	85
RDBV04000502	4	0,5	60	120
RDBV04001002	4	1	60	120
RDBV04001502	4	1,5	60	120
RDBV04002002	4	2	60	120
RDBV04003002	4	3	60	120
RDBV04004002	4	4	60	120
RDBV04005002	4	5	60	120
RDBV04006002	4	6	60	120
RDBV05000502	5	0,5	90	180
RDBV05001002	5	1	90	180
RDBV05001502	5	1,5	90	180
RDBV05002002	5	2	90	180
RDBV05003002	5	3	90	180
RDBV05004002	5	4	90	180
RDBV05005002	5	5	90	180
RDBV05006002	5	6	90	180
RDBV06000502	6	0,5	135	270
RDBV06001002	6	1	135	270
RDBV06001502	6	1,5	135	270
RDBV06002002	6	2	135	270
RDBV06003002	6	3	135	270
RDBV06004002	6	4	135	270
RDBV06005002	6	5	135	270
RDBV06006002	6	6	135	270
RDBV08000502	8	0,5	240	480
RDBV08001002	8	1	240	480
RDBV08001502	8	1,5	240	480
RDBV08002002	8	2	240	480
RDBV08003002	8	3	240	480
RDBV08004002	8	4	240	480
RDBV08005002	8	5	240	480
RDBV08006002	8	6	240	480

## BLACK WIRE ROPE 1 X THIMBLE 1 X CABLE GLIDER

### MAIN FEATURES:

- With black thimble
- Standard in construction 7x19
- Pressed with aluminium ferrule
- One end with black thimble
- One end with aluminium endstop to prevent loss cable glider
- Black Reutlinger cable glider with eye between the 2 ferrules
- Cable glider makes it possible to adjust the length from eye to eye
- Available with certificate
- Other configurations upon request available



ARTICLE CODE	a - Ø (MM)	b (M)	WLL DGV (KG)	WLL TÜV (KG)
RDBZ03000502	3	0,5	nvt	85
RDBZ03001002	3	1	nvt	85
RDBZ03001502	3	1,5	nvt	85
RDBZ03002002	3	2	nvt	85
RDBZ03003002	3	3	nvt	85
RDBZ03004002	3	4	nvt	85
RDBZ03005002	3	5	nvt	85
RDBZ03006002	3	6	nvt	85
RDBZ04000502	4	0,5	60	120
RDBZ04001002	4	1	60	120
RDBZ04001502	4	1,5	60	120
RDBZ04002002	4	2	60	120
RDBZ04003002	4	3	60	120
RDBZ04004002	4	4	60	120
RDBZ04005002	4	5	60	120
RDBZ04006002	4	6	60	120
RDBZ05000502	5	0,5	90	180
RDBZ05001002	5	1	90	180
RDBZ05001502	5	1,5	90	180
RDBZ05002002	5	2	90	180
RDBZ05003002	5	3	90	180
RDBZ05004002	5	4	90	180
RDBZ05005002	5	5	90	180
RDBZ05006002	5	6	90	180
RDBZ06000502	6	0,5	135	270
RDBZ06001002	6	1	135	270
RDBZ06001502	6	1,5	135	270
RDBZ06002002	6	2	135	270
RDBZ06003002	6	3	135	270
RDBZ06004002	6	4	135	270
RDBZ06005002	6	5	135	270
RDBZ06006002	6	6	135	270
RDBZ08000502	8	0,5	240	480
RDBZ08001002	8	1	240	480
RDBZ08001502	8	1,5	240	480
RDBZ08002002	8	2	240	480
RDBZ08003002	8	3	240	480
RDBZ08004002	8	4	240	480
RDBZ08005002	8	5	240	480
RDBZ08006002	8	6	240	480

# REUTLINGER CABLE GLIDERS

## REUTLINGER CABLE GLIDER WITH EYE AND CENTERED CABLE INLET

### MAIN FEATURES:

- To be used as an adjustable lifting point
- Easily adjustable without tools
- Certified according to DGUV and TÜV
- Black
- Eye suitable for a variety of shackles
- Centered Cable outlet



ARTICLE CODE	MODEL	ROPE Ø (MM)	EYE INSIDE (MM)	WLL DGUV (KG)	WLL TÜV (KG)
193.006.293	30SV	3	27,5	-	85
393.005.033	50SVIII	4	30	60	120
393.005.033	50SVIII	5	30	90	180
393.007.701	66SVIII	6	35	135	270
393.007.701	66SVIII	6,35	35	150	300
393.009.011	80SVIII	8	40	240	480

## REUTLINGER CABLE GLIDER WITH EYE AND CABLE INLET ON THE SIDE

### MAIN FEATURES:

- To be used as an adjustable lifting point
- Easily adjustable without tools
- Certified according to DGUV and TÜV
- Black
- Eye suitable for a variety of shackles
- Cable outlet on side



ARTICLE CODE	MODEL	ROPE Ø (MM)	EYE INSIDE (MM)	WLL DGUV (KG)	WLL TÜV (KG)
393.005.026	50SVIII ZW	4	30	60	120
393.005.026	50SVIII ZW	5	30	90	180
393.007.709	66SVIII ZW	6	35	135	270
393.007.709	66SVIII ZW	6,35	35	150	300
393.009.015	80SVIII ZW	8	40	240	480
393.009.011	80SVIII	8	40	240	480

## REUTLINGER CABLE GLIDER WITH EXTERNAL THREAD

### MAIN FEATURES:

- To be used as an adjustable lifting point
- Easily adjustable without tools
- Certified according to DGUV and TÜV
- Black
- With external thread
- Centered cable outlet



ARTICLE CODE	MODEL	ROPE Ø (MM)	WLL DGUV (KG)	WLL TÜV (KG)
393.005.021	50SVIII M12	4	60	120
393.005.021	50SVIII M12	5	90	180
393.007.700	66SVIII M16	6	135	270
393.007.700	66SVIII M16	6,35	150	300
393.009.003	80SVIII M20	8	240	480
393.009.011	80SVIII	8	40	240

## REUTLINGER CABLE GLIDER WITH INTERNAL THREAD

### MAIN FEATURES:

- To be used as an adjustable lifting point
- Easily adjustable without tools
- Certified according to DGUV and TÜV
- Black
- With internal thread
- Cable outlet on side



ARTICLE CODE	MODEL	ROPE Ø (MM)	WLL DGUV (KG)	WLL TÜV (KG)
393.005.025	50SVIII ZW M12i	4	60	120
393.005.025	50SVIII ZW M12i	5	90	180
393.007.702	66SVIII ZW M16i	6	135	270
393.007.702	66SVIII ZW M16i	6,35	150	300
393.009.008	80SVIII ZW M20i	8	240	480
393.009.011	80SVIII	8	40	240



# REUTLINGER CABLE GLIDERS

## REUTLINGER CABLE GLIDER WITH FORK

### MAIN FEATURES:

- To be used as an adjustable lifting point
- Easily adjustable without tools.
- Certified according to DGUV and TÜV
- Black
- With fork
- Cable outlet on side



ARTICLE CODE	MODEL	ROPE Ø (MM)	OPENING (MM)	PIN (MM)	WLL DGUV (KG)	WLL TÜV (KG)
193.006.267	30SV	3	10	10	-	85
393.005.027	50SVIIIW	4	14	14	60	120
393.005.027	50SVIIIW	5	14	14	90	180
393.007.705	66SVIIIW	6	16	16	135	270
393.007.705	66SVIIIW	6,35	16	16	150	300
393.009.023	80SVIIIW	8	20	20	240	480

## REUTLINGER CABLE GLIDER WITH DOUGHTY COUPLER

### MAIN FEATURES:

- To be used as an adjustable lifting point
- Easily adjustable without tools.
- Certified according to DGUV and TÜV
- Black
- With DOUGHTY coupler
- Cable outlet on side



ARTICLE CODE	MODEL	ROPE Ø (MM)	OPENING (MM)	PIN (MM)	WLL DGUV (KG)	WLL TÜV (KG)
393.005.040	50SVIIIW	4	30	60	120	85
393.005.040	50SVIIIW	5	30	90	180	120
393.007.704	66SVIIIW	6	35	135	270	180
393.007.704	66SVIIIW	6,35	35	150	300	270
393.009.009	80SVIIIW	8	40	240	480	300

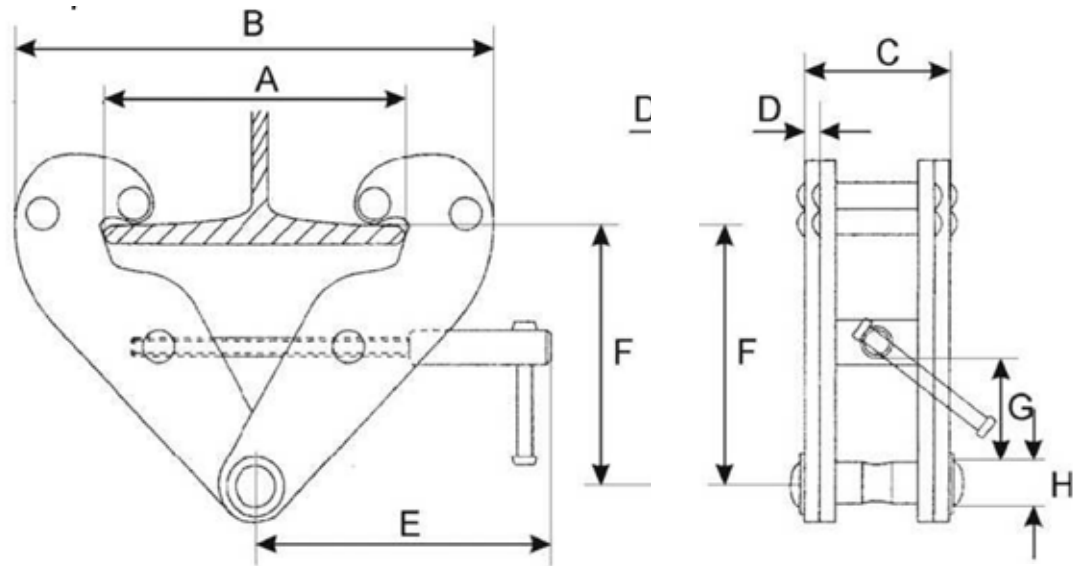
# BEAM CLAMPS

## ELLER® BEAM CLAMP

The ELLER® beam clamp is a simple and safe temporary anchor point. Ideal for quick attachment of loads using threaded spindle. The clamp can be installed within a few simple steps. Just twist and open the spindle, place over the flange and close tightly.

### MAIN FEATURES:

- Robust construction, frame is made from solid steel plate and a galvanized spindle
- Low head room, wide flange width adjustment range, therefore ideal in many situations
- Black version.



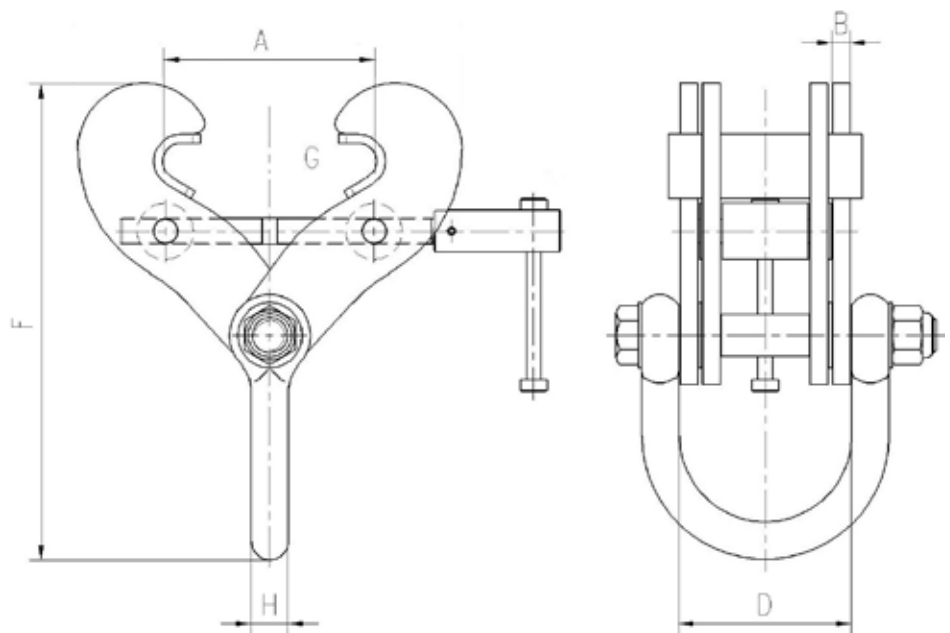
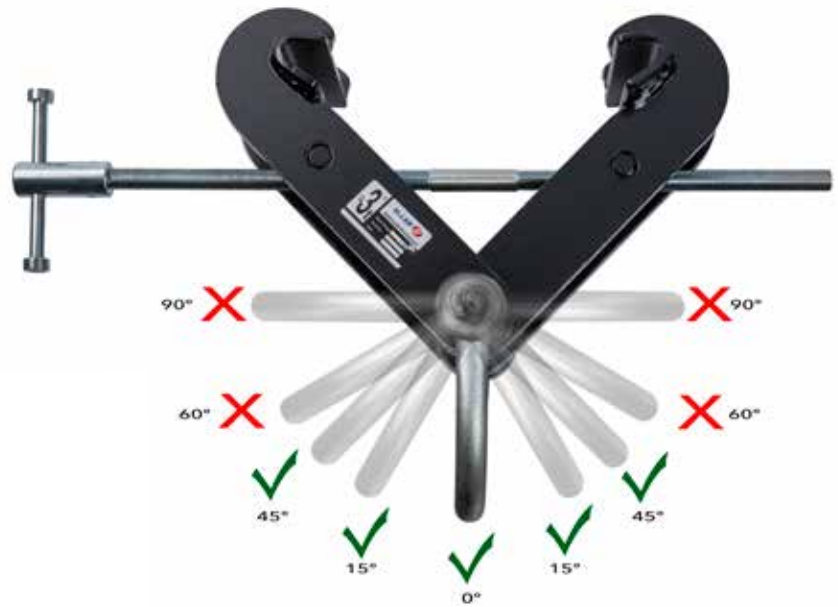
ARTICLE CODE	WLL (t)	BEAM FLANGE WIDTH A (mm)	HEADROOM F (mm)	Ø SUSPENSION BOLT H (mm)	WEIGHT (kg)
ELBC010	1	75 - 230	102 - 154	20	4
ELBC020	2	75 - 230	102 - 154	20	5
ELBC030	3	80 - 345	133 - 223	22	10
ELBC050	5	80 - 345	133 - 223	28	12
ELBC100	10	90 - 350	155 - 234	38	17

## ELLER® BEAM CLAMP WITH SHACKLE

The ELLER® Beam Clamp is a simple and safe temporary anchor point. Ideal for quick attachment of loads using threaded spindle. The clamp can be installed within a few simple steps. Just twist and open the spindle, place over the flange and close tightly.

### MAIN FEATURES:

- Robust construction, frame is made from solid steel plate and a galvanized spindle
- Low head room, wide flange width adjustment range, therefore ideal in many situations
- Loads up to 45°
- Also available for wide flange beam size (L Versions).



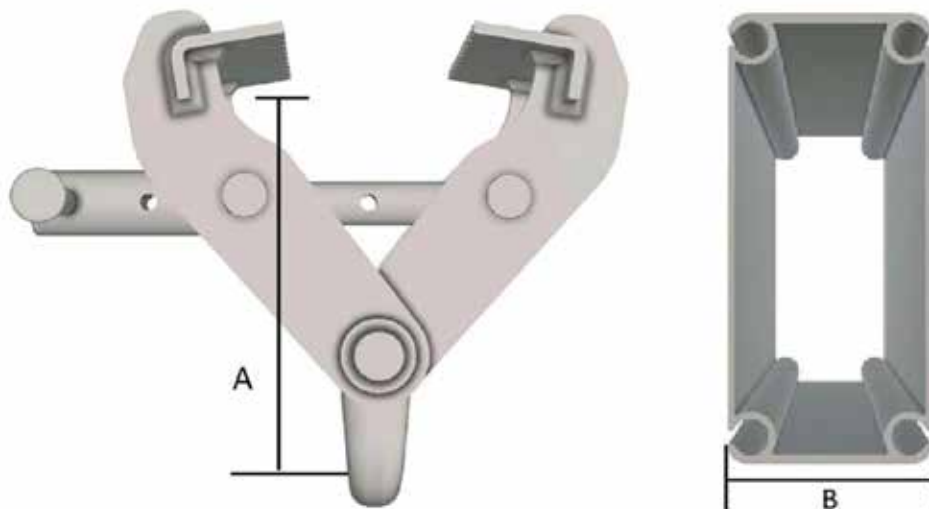
ARTICLE CODE	WLL (t)	BEAM FLANGE WIDTH A (mm)	HEADROOM K MIN - K MAX (mm)	Ø SUSPENSION BOLT H (mm)	REDUCED WLL (t)			WEIGHT (kg)
					0° TILL 15° (17%)	15° TILL 30° (34%)	30° TILL 45° (50%)	
ELBCH020	2	80 - 190	223 - 263	20	-	-	-	4
ELBCH030	3,2	80 - 190	251 - 289	20	2,6	2,1	1,6	8
ELBCH030-L	3,2	127 - 350	294 - 375	20	2,6	2,1	1,6	11,5
ELBCH050-L	5	150 - 305	360 - 413	25	4,1	3,3	2,5	15
ELBCH100	10	203 - 457	421 - 530	32	8,3	6,5	5	28
ELBCH150	15	203 - 457	608 - 684	40	12,4	10	7,5	49,5
ELBCH150-L	15	406 - 610	706 - 816	40	12,4	10	7,5	58,5



## ELLER® TENT CLAMP

### MAIN FEATURES:

- WLL of 500 kg
- For tent profiles between 60 and 105 mm
- The clamp can be used up to an angle of 30 degrees
- Color: Black
- Certification: CE
- Safety factor: MBL equals 5xWLL
- Easy to mount
- Good grip in keder
- Suitable for temporary hang points
- Fits with a 3.25 T shackle



ARTICLE CODE	WLL (t)	A (MM)	B (MM)	WEIGHT (KG)
ELBC005TK	0.5	140	60-105	3

# TROLLEYS

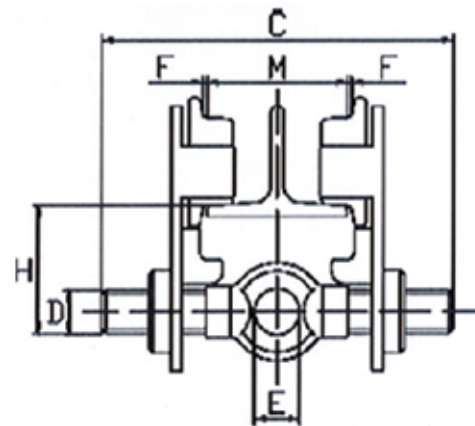
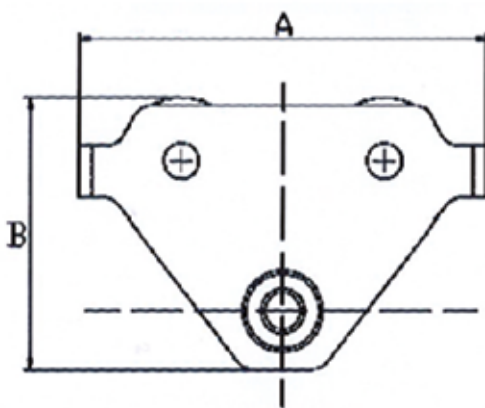
## ELLER® SPINDLE PUSH TROLLEY PTS

### MAIN FEATURES:

- Quick and precise beam adjustment using the opposite lead threaded load bar
- High flexible as the trolley is adjustable to fit a wide range of beam widths and profiles, A-smal version, B-widest version
- Standard anti-tilt and wheel fracture support devices
- Always central hook attachment point
- Low headroom
- Easy installed on the beam.



External locking device.  
Also available for PT and GT.



ARTICLE CODE	WLL (t)	A (mm)	B (mm)	C (PTS-A) (mm)	C (PTS-B) (mm)	D (mm)	E (mm)	H (mm)	F (mm)	ADJUSTABLE FOR BEAM FLANGE WIDTH PT (m) (mm)	MIN. RADIUS (m)	WEIGHT (kg)
ELPTS05-A	0,5	260	185	292	377	30	25	77	3	55-220	1,1	8,3
ELPTS05-B	0,5	260	185	292	377	30	25	77	3	160-305	1,1	8,7
ELPTS10-A	1,0	260	188	300	385	35	30	83	3	58-220	1,1	10,9
ELPTS10-B	1,0	260	188	300	385	35	30	83	3	160-305	1,1	11,4
ELPTS20-A	2,0	310	218	310	395	47	40	99	3	66-220	1,3	18,2
ELPTS20-B	2,0	310	218	310	395	47	40	99	3	160-305	1,3	19,0
ELPTS30-A	3,0	390	273	324	409	58	48	114	3	74-220	1,5	31,4

## ELLER® TROLLEY PT AND GT

The ELLER® push trolley PT and geared trolley GT.

### MAIN FEATURES:

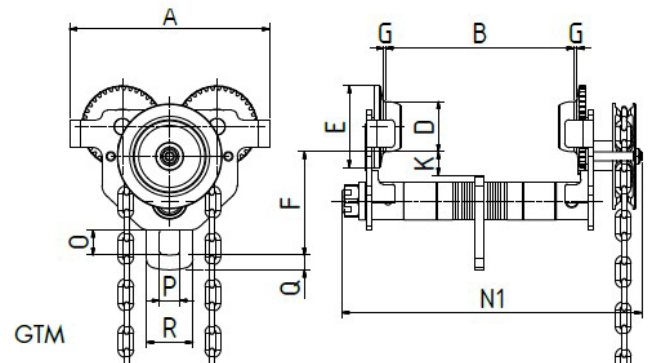
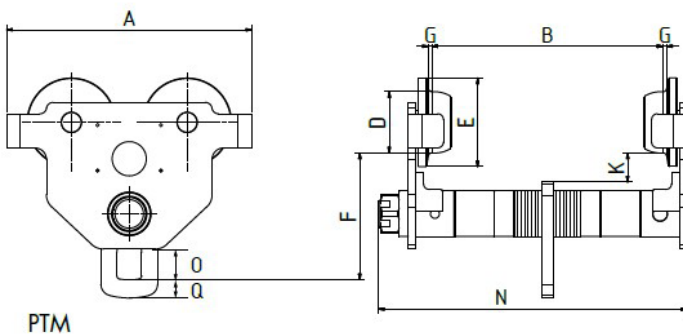
- Adjustable for various beam widths and profiles by changing the spacers
- Can be installed at any point along the track
- Suitable for straight or curved track
- Low headroom
- Robust construction
- Pre-lubricated ball bearings for excellent rolling features
- Standard anti-tilt and wheel fracture support
- Geared trolley standard with 3m hand chain.

### OPTIONAL FEATURES:

- Other lengths of chain available on request
- External locking device.



ARTICLE CODE	WLL (t)	BEAM FLANGE WIDTH PT (B) (mm)	BEAM FLANGE WIDTH GT (B) (mm)	MIN. RADIUS (m)	WEIGHT PT (kg)	WEIGHT GT (kg)
ELPT005 / ELGT005	0,5	50 - 203	64 - 203	0,8	7	14,5
ELPT010 / ELGT010	1,0	64 - 203	64 - 203	0,9	10,5	14,5
ELPT020 / ELGT020	2,0	88 - 203	88 - 203	1,0	17,5	21,5
ELPT030 / ELGT030	3,0	100 - 203	100 - 203	1,2	27	31
ELPT050 / ELGT050	5,0	114 - 203	114 - 203	1,3	41	46
ELPT100 / ELGT100	10,0	125 - 203	125 - 203	1,7	74	79



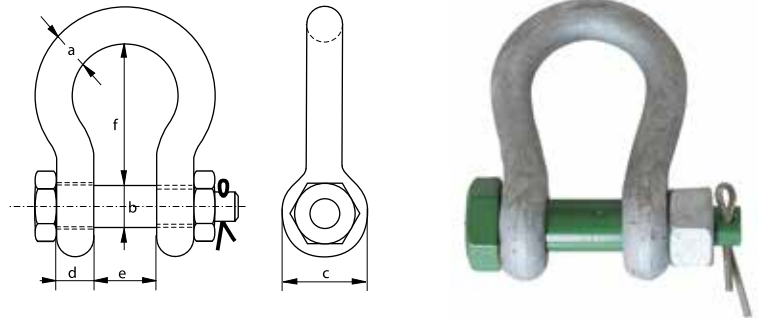
ARTICLE CODE	WLL (t)	A (mm)	D (mm)	E (mm)	F (PT) (mm)	F (GT) (mm)	G (mm)	H (mm)
ELPT005 / ELGT005	0,5	200	22	30	281	339	25	111
ELPT010 / ELGT010	1,0	236	30	38	292	351	34	134
ELPT020 / ELGT020	2,0	276	37	55	305	362	28	162,5
ELPT030 / ELGT030	3,0	326	42	66	321	375	32	186
ELPT050 / ELGT050	5,0	380	50	77	327,5	386	38	224
ELPT100 / ELGT100	10,0	426	86	108	341	410	50	198

# SHACKLES

## GREEN PIN BOW SHACKLE WITH SAFETY BOLT

### MAIN FEATURES:

- Material: Grade 6
- Safety factor: MBL equals 6 x WLL
- Standard: EN 13889 and meets performance requirements of US Fed. Spec. RR-C-271 Type IVA Class 3, Grade A from 2T and upward these shackle comply with ASME B30.26
- Finish: Hot dipped galvanized
- Temperature range: -40 °C up to +200 °C
- Certification: 2.1 2.2 3.1 MTCa DNV 2.7-1a DNV 2.7-1b DNV 2.22 CE

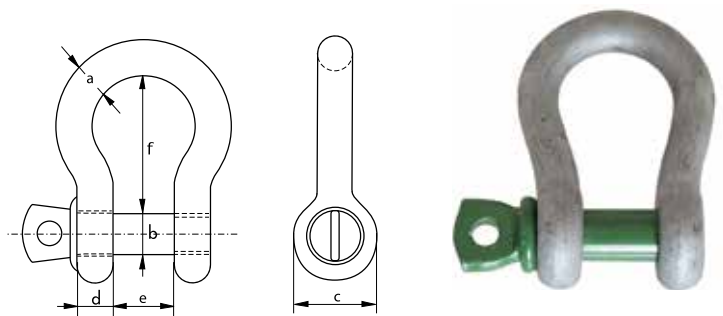


ART.NR	WLL TON	A MM	B MM	C MM	D MM	E MM	F MM	WEIGHT (kg)
GPG4163000500	0,5	7	8	16,5	7	12	29	0,06
GPG4163000750	0,75	9	10	20	9	13,5	32	0,11
GPG4163001000	1	10	11	22,5	10	17	36,5	0,16
GPG4163001500	1,5	11	13	26,5	11	19	43	0,22
GPG4163002000	2	13,5	16	34	13	22	51	0,42
GPG4163003250	3,25	16	19	40	16	27	64	0,74
GPG4163004750	4,75	19	22	46	19	31	76	1,18
GPG4163006500	6,5	22	25	52	22	36	83	1,77
GPG4163008500	8,5	25	28	59	25	43	95	2,58

## GREEN PIN BOW SHACKLE WITH SCREW COLLAR PIN

### MAIN FEATURES:

- Material: Grade 6
- Safety factor: MBL equals 6 x WLL
- Standard: EN 13889 and meets performance requirements of US Fed. Spec. RR-C-271 Type IVA Class 3, Grade A from 2T and upward these shackle comply with ASME B30.26
- Finish: Hot dipped galvanized
- Temperature range: -40 °C up to +200 °C
- Certification: 2.1 2.2 3.1 MTCa DNV 2.7-1a DNV 2.7-1b DNV 2.22 CE



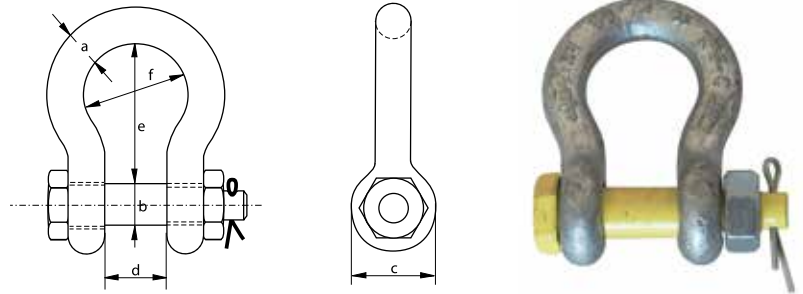
ART.NR	WLL TON	A MM	B MM	C MM	D MM	E MM	F MM	WEIGHT (kg)
GPG4161000330	0,33	5	6	12	5	9,5	22	0,02
GPG4161000500	0,5	7	8	16,5	7	12	29	0,05
GPG4161000750	0,75	9	10	20	9	13,5	32	0,1
GPG4161001000	1	10	11	22,5	10	17	36,5	0,14
GPG4161001500	1,5	11	13	26,5	11	19	43	0,19
GPG4161002000	2	13,5	16	34	13	22	51	0,36
GPG4161003250	3,25	16	19	40	16	27	64	0,63
GPG4161004750	4,75	19	22	46	19	31	76	1,01



## BOW SHACKLE WITH SAFETY BOLT

### MAIN FEATURES:

- Material: Grade 6
- Safety factor: MBL equals 6 x WLL
- Standard: US Fed. Spec. RR-C-271
- Finish: Hot dipped galvanized
- Certification: 2.1 2.2 CE

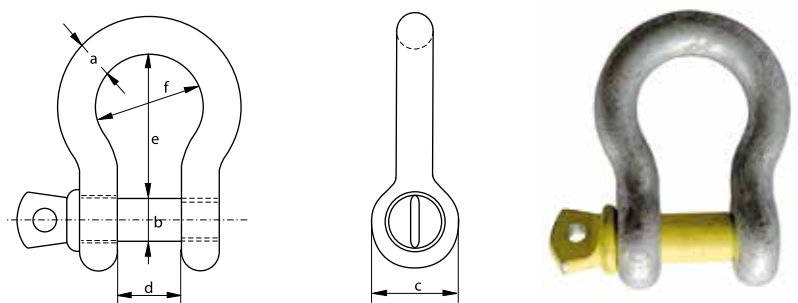


ART.NR	WLL TON	A MM	B MM	C MM	D MM	E MM	F MM	WEIGHT (kg)
GPG3163002000	2	13	16	30	20	48	33	0,36
GPG3163003250	3,25	16	19	38	27	60	43	0,7
GPG3163004750	4,75	19	22	46	32	71	50	1,1
GPG3163006500	6,5	22	25	53	36	84	58	1,61
GPG3163008500	8,5	25	28	61	43	95	68	2,42
GPG3163009500	9,5	28	32	68	46	108	74	3,35
GPG3163012000	12	32	35	76	51	119	82	5,32
GPG3163013500	13,5	35	38	84	57	133	92	7,19
GPG3163017000	17	38	42	92	60	146	98	9,44

## BOW SHACKLE WITH SCREW COLLAR PIN

### MAIN FEATURES:

- Material: Grade 6
- Safety factor: MBL equals 6 x WLL
- Standard: US Fed. Spec. RR-C-271
- Finish: Hot dipped galvanized
- Certification: 2.1 2.2 CE



ART.NR	WLL TON	A MM	B MM	C MM	D MM	E MM	F MM	WEIGHT (kg)
GPG3161000330	0,33	5	6	14	9,5	22	15	0,03
GPG3161000500	0,5	6	8	16	12	29	20	0,05
GPG3161000750	0,75	8	10	19	13,5	31	21	0,08
GPG3161001000	1	10	11	23	17	37	26	0,14
GPG3161001500	1,5	11	13	27	19	43	29	0,2
GPG3161002000	2	13	16	30	20	48	33	0,33
GPG3161003250	3,25	16	19	38	27	60	43	0,62
GPG3161004750	4,75	19	22	46	32	71	50	1,07

# BLACK SHACKLES

## CM UPGRADED S.T.A.C. CHAIN

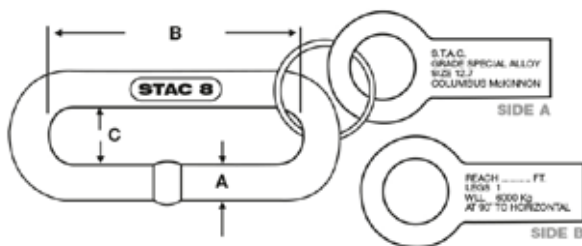
Special Theatrical Alloy Chain (STAC) is ideal for theatrical rigging applications where bridle adjustability is required. In accordance with the LEEA code of practice.

### MAIN FEATURES:

- WLL of 5,4 t
- Safety factor 4:1;
- Heat treated Grade 80 Alloy Steel
- Fire & Abrasion resistant
- After production each link tested
- Easy Identification: embossed with STAC and CM
- Link accepts up to 3/4" shackle.

### OPTIONAL FEATURES:

- Extra tag with size, G80, reach and working load limit.



ARTICLE CODE	WLL (t)	CHAIN SIZE A (mm)	B SIZE (mm)	C SIZE (mm)	LENGTH (m)	WEIGHT (kg)
S-695550D250	5,4	13	95	23,1	76 (drum)	230
S-695550D500	5,4	13	95	23,1	152 (drum)	460

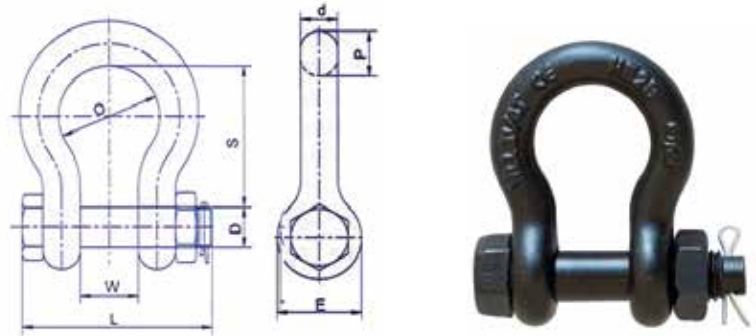
## CHAIN SETS INCL. TAGLABEL & SPLINTRING

ARTICLE CODE	WLL (t)	CHAIN SIZE A (mm)	B SIZE (mm)	C SIZE (mm)	LENGTH (m)	WEIGHT (kg)
S-STAC-0.95	5,4	13	95	23,1	0,95 (10 links)	3
S-STAC-1.52	5,4	13	95	23,1	1,52 (16 links)	5,4

## BOW SHACKLE WITH SAFETY BOLT

### MAIN FEATURES:

- Material: Grade 6
- Safety factor: MBL equals 6 x WLL
- Standard: US Fed. Spec. RR-C-271
- Finish: Matt black
- Certification: 2.1 2.2

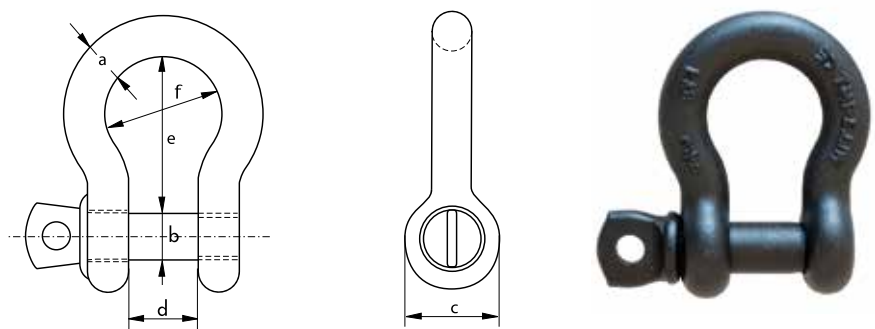


ARTICLE CODE	WLL (t)	W (mm)	D X d (mm)	E X P (mm)	S (mm)	L (mm)	O (mm)	WEIGHT (kg)	PU QUANTITY
HMB01000ZEN	1	17	11,2 x 10	25 x 10	36,5	56,6	26	0,17	150
HMB02000ZEN	2	20	16 x 13	30 x 13	48	75,5	33	0,35	75
HMB03250ZEN	3,25	27	19 x 16	40 x 16	60	92	43	0,67	40
HMB04750ZEN	4,75	32	22 x 19	48 x 19	71	106	51	1,1	20

## BOW SHACKLE WITH SCREW COLLAR PIN

### MAIN FEATURES:

- Material: Grade 6
- Safety factor: MBL equals 6 x WLL
- Standard: US Fed. Spec. RR-C-271
- Finish: Matt black
- Certification: 2.1 2.2



ART.NR	WLL (T)	A (MM)	B (MM)	C (MM)	D (MM)	E (MM)	F (MM)	WEIGHT (KG)
HBB00330ZEN	0,33	5	6	15	9,5	22	16	0,02
HBB00500ZEN	0,5	6	8	18	12	28	19	0,07
HBB00750ZEN	0,75	8	10	22	13,5	32	21	0,13
HBB01000ZEN	1	10	11	26	17	35	25	0,17
HBB01500ZEN	1,5	11	13	28	19	42	29	0,25
HBB02000ZEN	2	13	16	32	20	47	32	0,44
HBB03250ZEN	3,25	16	19	39	27	60	43	0,79
HBB04750ZEN	4,75	19	22	47	32	71	50	1,26

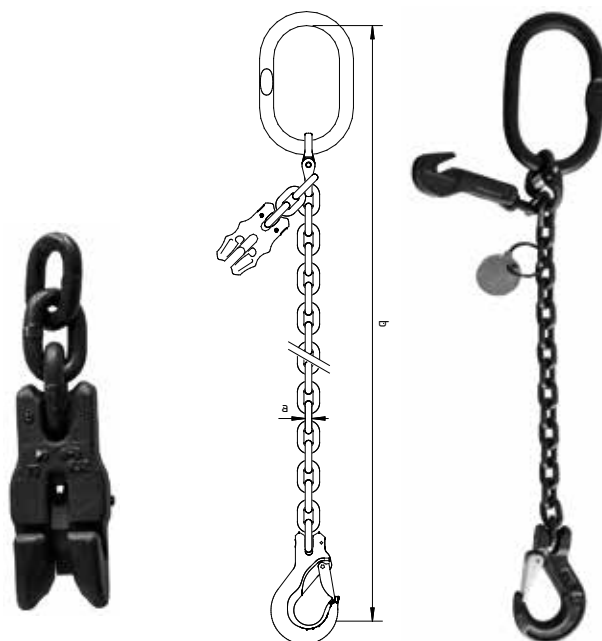
# CHAIN CLUTCH

## CHAINCLUTCH BLACK WITH LOCKED SHORTENING CLUTCH

### MAIN FEATURES:

- Black components
- Grade 80 EN818-2 chain
- Fitted with master link and clevis hook
- Shortening clutch with lock
- Available with certificate

Optional: Black label with customer ID possible



ART.NR	WLL (T)	A (MM)	B (M)
RDBCZ0601000	1	6	1
RDBCZ0602000	1	6	2
RDBCZ0603000	1	6	3
RDBCZ0801000	2	8	1
RDBCZ0802000	2	8	2
RDBCZ0803000	2	8	3

## CHAINCLUTCH BLACK WITH LOCKED GRABHOOK

### MAIN FEATURES:

- Black components
- Grade 80 EN818-2 chain
- Fitted with master link and clevis hook
- Grabhook with lock
- Available with certificate

Optional: Black label with customer ID possible



ART.NR	WLL (T)	A (MM)	B (M)
RDBCZ0601001	1	6	1
RDBCZ0602001	1	6	2
RDBCZ0603001	1	6	3
RDBCZ0801001	2	8	1
RDBCZ0802001	2	8	2
RDBCZ0803001	2	8	3

# CHAIN CLUTCH

## CHAINCLUTCH BLACK WITH SHORTENING CLUTCH WITHOUT LOCK

### MAIN FEATURES:

- Black components
- Grade 80 EN818-2 chain
- Fitted with master link and clevis hook
- Shortening clutch without lock
- Available with certificate

Optional: Black label with customer ID possible



ART.NR	WLL (T)	A (MM)	B (M)
RDBCZ0601002	1	6	1
RDBCZ0602002	1	6	2
RDBCZ0603002	1	6	3
RDBCZ0801002	2	8	1
RDBCZ0802002	2	8	2
RDBCZ0803002	2	8	3

## CHAINCLUTCH BLACK WITH GRABHOOK WITHOUT LOCK

### MAIN FEATURES:

- Black components
- Grade 80 EN818-2 chain
- Fitted with master link and clevis hook
- Grabhook with lock
- Available with certificate

Optional: Black label with customer ID possible



ART.NR	WLL (T)	A (MM)	B (M)
RDBCZ0601003	1	6	1
RDBCZ0602003	1	6	2
RDBCZ0603003	1	6	3
RDBCZ0801003	2	8	1
RDBCZ0802003	2	8	2
RDBCZ0803003	2	8	3

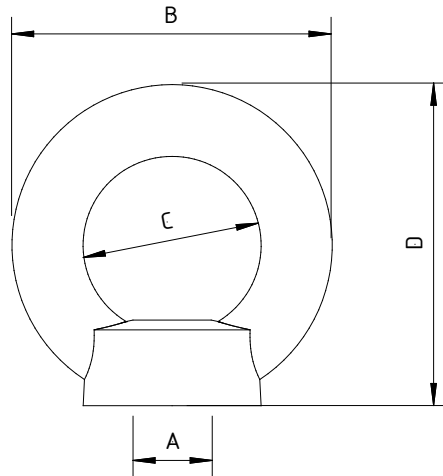
# LIFTING POINTS

## BLACK EYENUT GRADE 8

### MAIN FEATURES:

- TYPE DIN 582
- Material: Grade 8
- Safety factor: MBL equals 4xWLL
- Finish: matt black
- Certification: 2.1 2.2 3.1

Given WLL is based on straight pull.



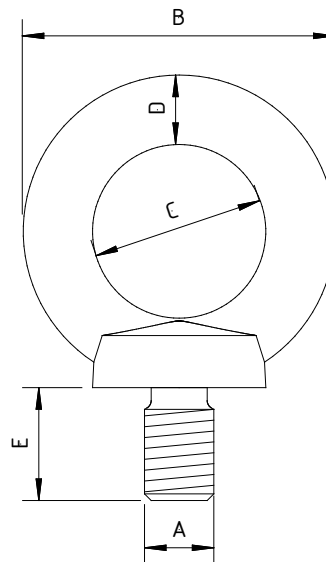
ART.NR	WLL AT 0° (T)	A (MM)	B (MM)	C (MM)	D (MM)	WEIGHT (KG)
00GMRZM06000	0,4	M6	36	20	36	0,05
00GMRZM08000	0,8	M8	36	20	36	0,05
00GMRZM10000	1	M10	45	25	45	0,09
00GMRZM12000	2	M12	54	30	53	0,17
00GMRZM16000	4	M16	63	35	62	0,26
00GMRZM20000	6	M20	63	35	62	0,37

## BLACK EYEBOLT GRADE 8

### MAIN FEATURES:

- TYPE DIN 580
- Material: Grade 8
- Safety factor: MBL equals 4xWLL
- Finish: matt black
- Certification: 2.1 2.2 3.1

Given WLL is based on straight pull.

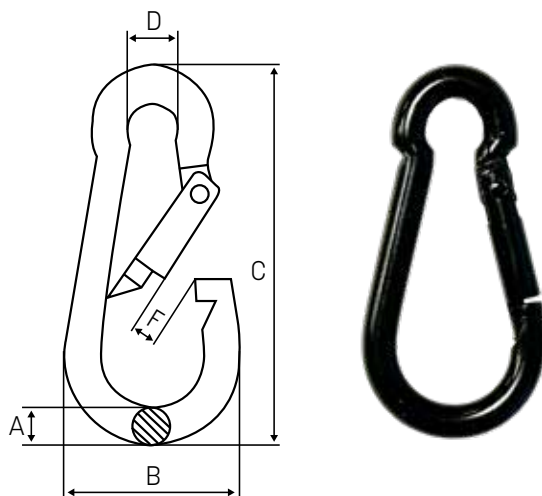


ART.NR	WLL (T)	A (MM)	B (MM)	C (MM)	D (MM)	E (MM)	WEIGHT (KG)
00GBTZM06000	0,4	M6	28	16	9	13	0,03
00GBTZM08000	0,8	M8	36	20	9	15	0,05
00GBTZM10000	1	M10	45	25	11	18	0,11
00GBTZM12000	2	M12	54	30	12	22	0,19
00GBTZM14000	4	M14	63	35	15	28	0,29
00GBTZM16000	4	M16	63	35	15	28	0,31
00GBTZM20000	6	M20	72	40	17	30	0,46

## CARABINE HOOKS

### MAIN FEATURES:

- In black & galvanized
- 4, 5, 6, 8 mm

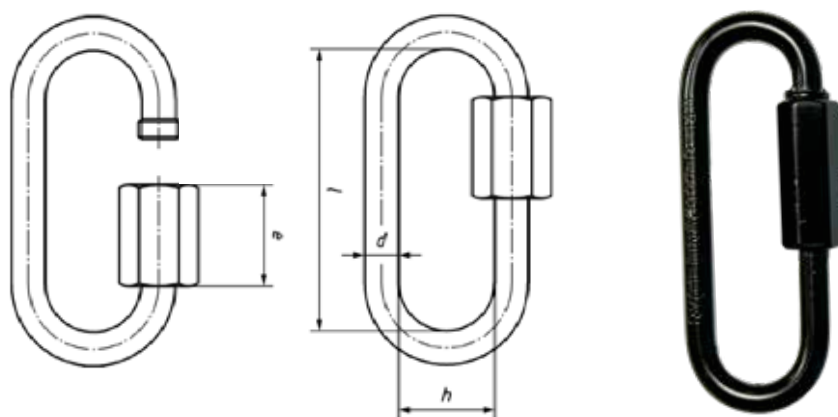


ART.NR	SIZE (MM)	WLL(KG)	A (MM)	B (MM)	C (MM)	D (MM)	F (MM)	WEIGHT (KG)
KBHZ0404000	4x40		4	20	40	6	6	0.008
KBHZ0505000	5x50		5	25	50	6	7	0.015
KBHZ0606000	6x60		6	30	60	9	7	0.026
KBHZ0808000	8x80		8	40	80	11	11	0.062

## QUICKLINKS

### MAIN FEATURES:

- In black & galvanized
- 4, 5, 6, 8 mm



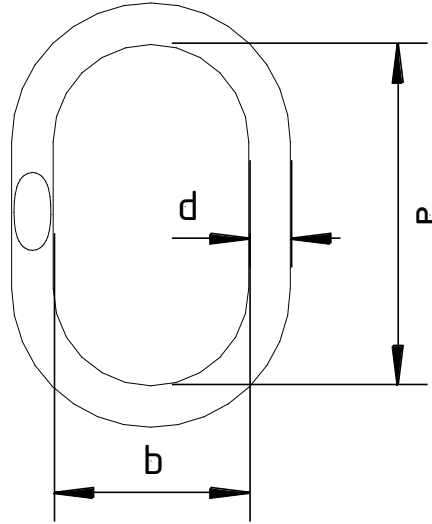
ART.NR	OPENING (MM)	D (MM)	E (MM)	H (MM)	L (MM)	BREAKING FORCE (kN)
NOODSZ0400	11,5	4	19	11,5	45	9
NOODSZ0500	13	5	22	13	52	14
NOODSZ0600	14,5	6	25	14,5	58,55	20
NOODSZ0800	17,5	8	31,5	17,5	72	35

# LINKS

## MASTER LINK BLACK

### MAIN FEATURES:

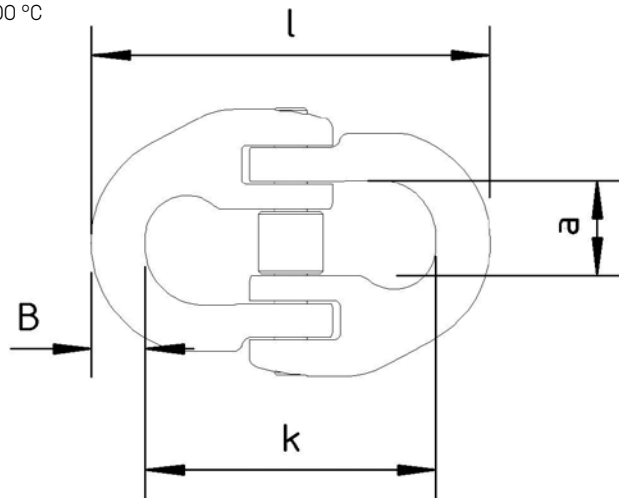
- Matt black
- Grade 80
- According to EN1677-4
- Safety factor 4:1
- Temperature range -40 °C up to +200 °C
- Certificates available



ARTICLE CODE	WLL (T)	A (mm)	B (mm)	D (mm)	WEIGHT (kg)
KZWR03376G80	1,6	110	60	13	0,34
KZWR03387G80	2,12	110	60	16	0,54
KZWR03310G80	3,15	135	75	18	0,82

## CONNECTING LINK BLACK

- Matt black
- Grade 80
- According to EN1677-1
- Safety factor 4:1
- Temperature range -40 °C up to +200 °C
- Certificates available



ARTICLE CODE	WLL (T)	A (MM)	B (MM)	L (MM)	K (MM)	WEIGHT (KG)
KZWR07468G80	1,12	15	7,5	58	42	0,08
KZWR07478G80	2	19,5	9,5	79,5	60,5	0,16
KZWR074100G80	3,15	25	12	90,5	68	0,3





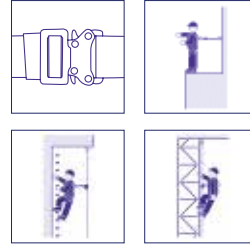
# FALL PROTECTION & ROPE ACCESS

## ELLERsafe HARNESS P-06C

EN 361

### MAIN FEATURES:

- Flat chest loops
- Textile D-ring on back
- Adjustable chest, shoulder and leg straps
- Quick release buckles
- Padded shoulder and leg straps
- Fall indicator
- Identification label
- Available in size M-XL and XXL

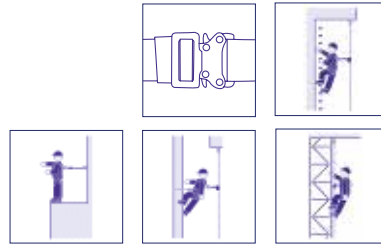


## ELLERsafe HARNESS P-52 PRO

EN 361, EN 358

### MAIN FEATURES:

- Positioning belt
- Chest loops
- D-ring on back
- Adjustable chest, shoulder and leg straps
- Quick release buckles (QR)
- Padded shoulder and leg straps (NIZE)
- Fall indicator (VI)
- Identification label (IIS)
- Available in size S, M-XL and XXL

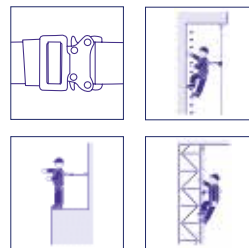


## ELLERsafe HARNESS P-32 PRO

EN 361

### MAIN FEATURES:

- Chest loops
- D-ring on back
- Adjustable chest, shoulder and leg straps
- Quick release buckles (QR)
- Padded shoulder and leg straps (NIZE)
- Fall indicator (VI)
- Identification label (IIS)
- Available in size S, M-XL and XXL

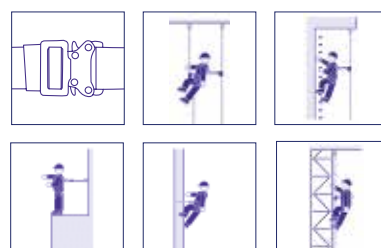


## ELLERsafe HARNESS P-90C

EN 361, EN 358, EN 813

### MAIN FEATURES:

- Rope Access / Sit- and positioning harness
- D-ring on back, D-ring chest
- D-ring ventral
- D-ring hips, D-ring lower back
- Adjustable padded shoulder- and leg straps
- Quick release buckles
- Equipment loops
- Available in size M-XL and XXL



# FALL PROTECTION & ROPE ACCESS

## ELLERsafe ELASTIC POSITIONING LANYARD

FP-LE111-002-029-XX • EN 354, EN 358

### MAIN FEATURES:

- Elastic positioning lanyard in 1,5 and 2 meters
- Scaffold hook
- Snap hook



## ELLERsafe ADJUSTABLE POSITIONING LANYARD AF130 PRO

FP-AF130-PRO-02 • EN 358

### MAIN FEATURES:

- Adjustable positioning lanyard with scaffold hook
- Core mantle line diameter: 14mm
- Aluminum length adjuster
- Durable rope protection cover



## ELLERsafe DOUBLE FALL ARREST LANYARD

FP-2LE111-BW0110222 • EN 355, EN 354, EN 362

### MAIN FEATURES:

- Elastic lanyard with shock absorber
- Equipped with scaffold hooks and carabiner
- Suitable for persons up to 120kg



## ELLERsafe DOUBLE SRL DWR040S

FP-DWR040S-020 • EN 360

### MAIN FEATURES:

- Lightweight webbing self retractable lanyards
- Designed for work where the attachment point needs to be moved often
- No additional shock absorber needed
- 2 scaffold hooks - 1 Carabiner
- 2x 2m webbing



# FALL PROTECTION & ROPE ACCESS

## PETZL HARNESS NEWTON EASYFIT

PE-C073EA • EN 361

### MAIN FEATURES:

- Simple, lightweight and hard-wearing design
- Close-fitting and provides optimal freedom of movement
- Allows installation of a LIFT-spreader to descend in an upright position
- Quick to put on and easy to use
- Attaches and detaches quickly and easily, without loss of adjustment, even with gloves

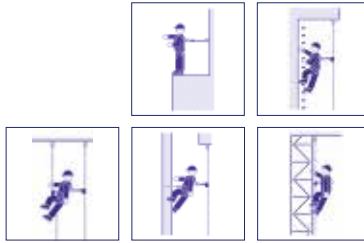


## PETZL HARNESS AVAO BOD FAST

PE-C071BA • EN 361, EN 358, EN 813

### MAIN FEATURES:

- Rope access / seat belt and positioning belt
- D-ring on chest
- D-ring on back
- D-ring Ventral
- Positioning points
- Quick release buckles
- Leg loops equipped with breathable foam padding
- Equipped with material and grommet loops

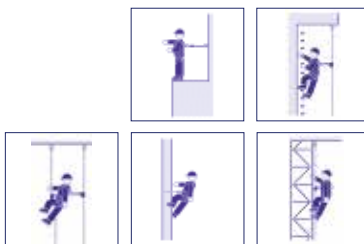


## PETZL VOLT

PE-C072AA • EN 361, EN 358, EN 381

### MAIN FEATURES:

- D-ring on back
- Chest- and material loops
- Positioning points
- LADDERCLIMB ventral anchor point
- Adjustable chest, shoulder and leg straps
- Padded shoulder and leg straps
- Quick release buckles
- Lightweight, breathable design
- Also available in WIND edition



## PETZL ARIA 2R

PE-E071AA00

### MAIN FEATURES:

- IP67 dust and waterproof
- Single button operation
- Two light modes, for near and far
- Includes CORE rechargeable battery and symbol
- Compact and durable
- Rechargeable
- 600 lumens



# FALL PROTECTION & ROPE ACCESS

## PETZL VERTEX VENT

A010CA03 • EN 397, EN 12492, ANSI Z89.1 Type I Class C, EAC

### MAIN FEATURES:

- Fitted with ventilation holes with sliding hatches to allow air to flow through the helmet
- 53-63 cm



## PETZL ABSORBICA DOUBLE FALL ARREST LANYARD-MGO

PE-L014CAXX • EN 355, EN 362

### MAIN FEATURES:

- Integrated compact shock absorber
- With 2 riser scaffolding pipe hooks

ARTICLE CODE	TYPE	LENGTH (m)
PE-L014CA01	-	1,5
PE-L012CA00	Elastic	0,8



## PETZL ADJUSTABLE POSITIONING LANYARD GRILLON

PE-L052AAXX • EN 358, EN 12841 type C

### MAIN FEATURES:

- For accurate positioning
- Highly effective control system
- Material: Nylon, polyester, aluminum
- Available in black
- Available in lengths 3, 4, 5, 10 and 15m



## PETZL ADJUSTABLE POSITIONING LANYARD ADJUST-I

PE-L044BA00 • EN 358

### MAIN FEATURES:

Adjustable single lanyard that enables continuous connection for all types of progression:

- Very quick and precise length adjustment of the adjustable arm, thanks to the ergonomic shape of the ADJUST rope adjuster
- Easy clipping with the TANGA accessory and plastic sheath that help hold the connectors in the proper position
- Compatible with the gated ventral attachment point on ASTRO harnesses
- Dynamic rope lanyard to limit the impact force transmitted to the user in the event of a short fall



# NOTES

Lined area for notes, consisting of multiple horizontal dashed lines for writing.

# REPAIRS, TESTING AND CERTIFICATION



## SPARE PARTS

We carry a large stock of hoist parts. Visit our website or call one of our employees.



## REPAIRS, TESTING AND CERTIFICATION

You can also contact us for repairs, testing, annual inspections and (re) certification. Certificates are available in the cloud.



## TRAINING

We offer training covering operation, maintenance needs and troubleshooting of your CM electric hoists like the "CM Motor School" and training "ELLERsafe".



## PRODUCTION

With our sister company Roodenberg Staalkabels B.V. we offer a broad variety of wire rope assemblies. Specials? Please let us know.

## OUR BRANDS



Access the inaccessible®



# DOWNLOAD OUR OTHER CATALOGUES:



ELLERsafe



INDUSTRY



GANTRY CRANES

**LOUIS REYNERS**

EXCELS IN HOISTING, LIFTING AND FALL PROTECTION



tel. +31 (0) 75 650 47 50  
info@lr.nl

Symon Spiersweg 13-A  
1506 RZ Zaandam

[WWW.LR.NL](http://WWW.LR.NL)