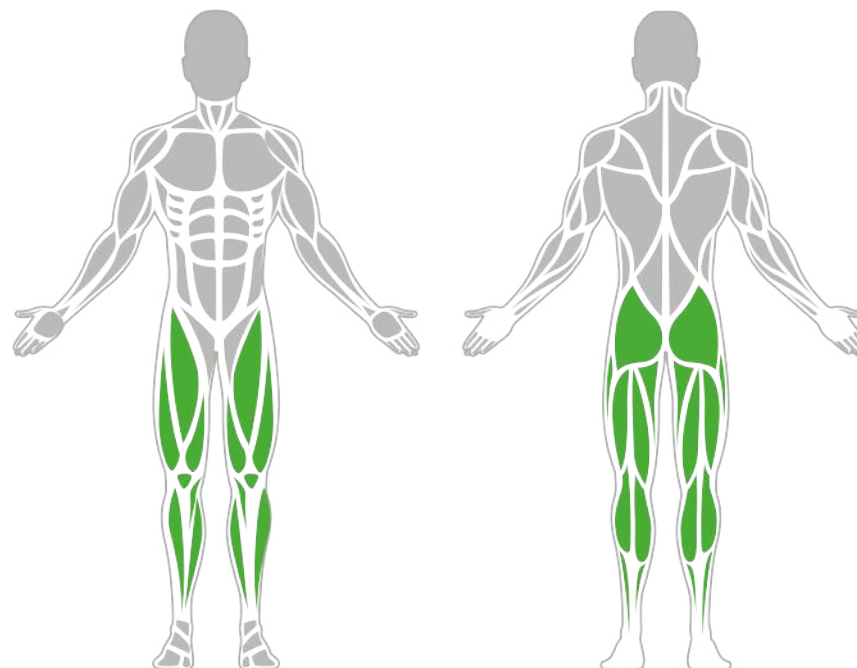




Muscle Groups Focus



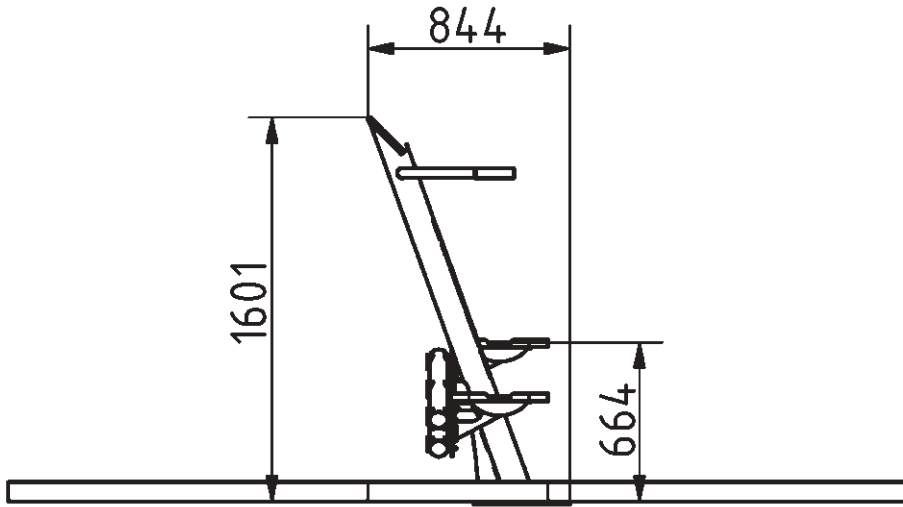
Mechanical Stepper

The Mechanical Stepper offers an engaging outdoor workout, focusing on enhancing the strength of calf and thigh muscles while promoting cardiovascular health. Its design ensures fluid movement that emphasizes toning without putting undue stress on the joints. This ensures users experience both muscle engagement and joint protection. Ideal for individuals of all ages, it's an excellent outdoor fitness solution that equally prioritizes balance, coordination, and strength.

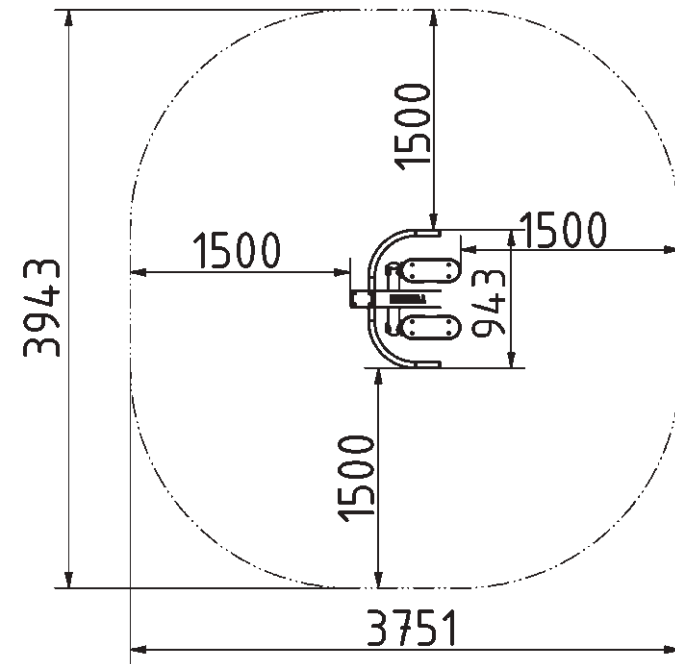
Attributes

Product code	1-1-315
Certificate	EN 16630
Age group	14 + years
Capacity	1 person
Max. weight load	130 kg
Type	Recreational
Difficulty level	Medium

Side View




Plan View



Installation information

Number of installers (concrete)	At least 2 people
Total installation time (concrete)	45-90 min.
Number of installers (equipment)	At least 2 people
Total installation time (equipment)	60-90 min.
Excavation volume	0.32 m ³
Concrete volume	0.32 m ³
Size of the base structure	0,7 x 0,7 x 0,8 m
Anchoring options	In-ground or surface
In combined structures, the volume of concrete required varies.	

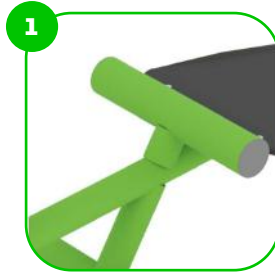
Technical specification

Safety surface area	Around 1,5 m radius
Net weight	73 kg
Material	S235
Critic fall height	700 mm
Color options	
For more color options, discuss with your sales representative.	

Warranty

Structure	25-15 years
Steel	5-10 years
Paint	2 years
Plastic	5-10 years
Rubber	1-3 years
Moving parts	2 years
Detailed information in the warranty document	

Material specification



The element is made of high quality S235 steel, which has been cleaned via sandblasting. A corrosion resistant powder coating finish is then applied. Also available with galvanized surface for even greater protection and longevity!



The top surface of the device is covered with the highest quality non-slip HDPE.



The connecting elements are fastened with vandal-proof stainless steel screws and nuts.



The device is equipped with an ergonomic non-slip HDPE phone holder for convenience.



At the end of the arms, the handle is rubber-coated for a more comfortable and secure grip.

BESTRONG

 [bestrongworld](#)  [bestrongworld](#)  [global.bestrong.com](#)  [info@bestrong.com](#)

