

SUPERLOCK 2.0 CODE RAPIDRESET SINGLE-SIDED SURFACE MOUNTED



CODE: C

5-Year Warranty

Reversible Handing

Suitable for wooden gate frames. For metal gates, our bolt-on option is available.

INCLUDED IN THE BOX

- 2.5mm hex key + 3mm hex key
- 2 x M8 fixing bolts
- Face plate
- Latchbolt
- Strike plate (2 x self-drilling fasteners)



The perfect balance of security and convenience with keyless entry on one side and simple exit on the other.

Designed for wooden gates, this slim and sturdy lock is easy to install and adjust, offering reliable and convenient day-to-day use.

Product code	Description
BDGSWRR1030	To fit 10-30mm (½" to 1 ¼") gate frames
BDGSWRR4060	To fit 40-60mm (1 ½" to 2 ¼") gate frames
Available in:	 Black RAL9005 Moss Green RAL6005

HELP & SUPPORT

Need further assistance? Our customer support team can help with order queries, product identification, spare parts, warranty information and general after-care.



UK: +44 1243 558580

US: +1 214 872 9687



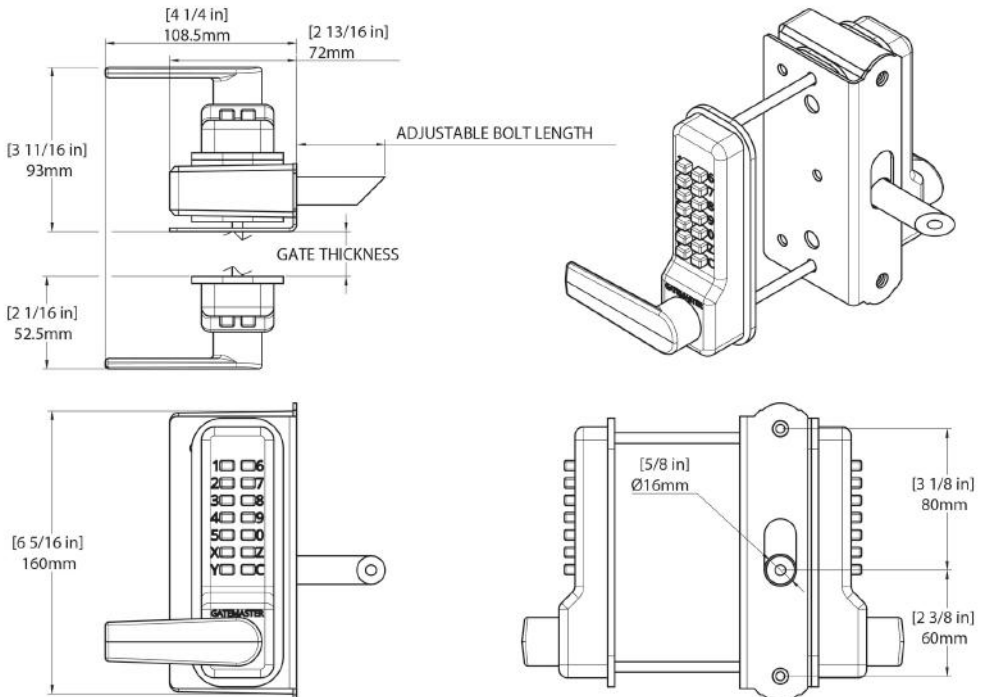
www.gatemasterlocks.com



support@gatemasterlocks.com

TECHNICAL SPECIFICATIONS

Lock type	Mechanical keypad gate lock
Keypad type	RapidReset single-sided
Handing	Reversible, supplied right-handed
Latchbolt throw	20mm (3/4")
Lock case width	70mm (2 3/4")
Fixing method	Surface-mounted
Fixings included	Yes
Warranty	5 years

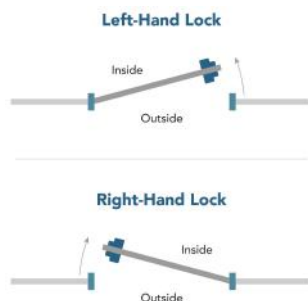


INSTALLATION INSTRUCTIONS

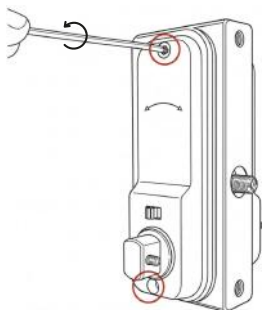
1. Position L bracket at a suitable height on the outside of the gate and mark it for reference. Ensure outward-opening gates have a minimum 18mm (3/4") gap between the L plate end and post so the lock doesn't clash with the keep when opening. Start off the holes with a smaller drill bit, using the plate as a jig.
2. Drill the holes partway through, then mark and drill from the other side to ensure holes are straight.
3. Drill the centre spindle hole with a 12mm drill bit, and open out the top and bottom holes with the 12mm drill bit to allow insertion of the outside keypad. Insert outside keypad and fasten with M5 screws provided. M5 screws may have to be cut to length with a grinder or a hacksaw. Screw L bracket to the gate with screws supplied. Insert spindle (ensuring it is fully seated) and measure a protrusion to the correct length (BDGSW - 55mm (2 3/16"), BDGSW - 70mm (2 3/4"), BDGWRR - 45mm (1 3/4") BDGSWRR - 60mm (2 3/8")) then cut to length using a grinder or hacksaw. Use the notches as cutting guides - if your measurement falls between notches, cut at the next longer notch and trim further if needed.
4. Once cut, insert the spindle, then place lock body over spindle and fix using M8 fixing bolts and cover plate supplied. Use 5mm hex key to tighten bolts.
5. To fit the keep, align with the lock and mark the position on the gate post, then fasten with screws supplied

HOW TO CHANGE HANDING FROM RIGHT TO LEFT HANDING

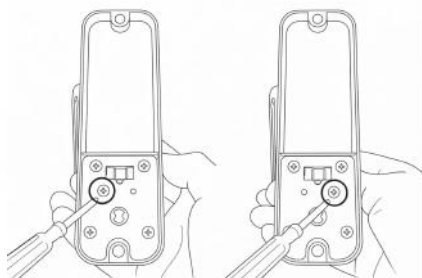
Handing refers to the side on which the gate is hinged. This determines whether the lock should be set for left-hand or right-hand installation. When standing outside the gate, if the hinges are on the left, the lock must be changed to left-hand setting.



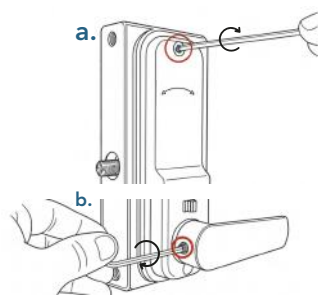
OUR LOCKS ARE SUPPLIED RIGHT-HANDED. IF A RIGHT-HANDED LOCK IS REQUIRED, SKIP THE STEPS BELOW AND CONTINUE WITH INSTALLATION.



1. Using the 3mm hex key, unscrew the two screws located at the top and bottom.



2. Remove the keypad. On the inside handle, unscrew only the blue screw and screw it into the adjacent hole.



3a. Refit the keypad using the 3mm hex key, ensuring the flat spindle and rubber gaskets are in place.
3b. Using the 2.5mm hex key, screw on the handles to face the opposite way to the latch.

Check that the code and handle work correctly and then follow the instructions install the lock onto the gate.