

KENRAY®

Perform Better



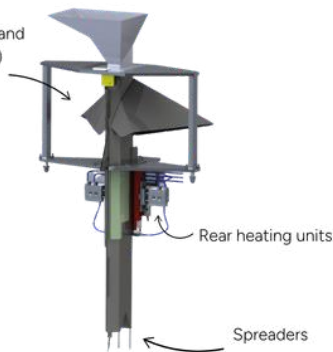
Doy, Quad, 3-Side, Agricultural, Cereal Formers

KENRAY DOY FORMERS

Kenray Global's Doy Packaging Solutions are designed to create high-quality, stand-up pouches that combine practicality with strong visual appeal. Known for their stability and resealable options, Doy pouches are widely used in industries such as food, pet food, personal care, and household products.

CHARACTERISTICS OF A TYPICAL DOY FORMER

Pre-applied
resealable reel and
rail (not shown)



- > Designed for perfect stand-up pouch formation to enhance shelf appeal
- > Built for strong seals with optional resealable closures for convenience
- > Supports a variety of materials, including laminated and high-barrier films
- > Optimised for efficient material usage to reduce waste & production costs
- > Built for high-speed operation while ensuring precise, repeatable results



OUR SOLUTIONS

Doy packaging requires precision forming sets to ensure perfect pouch formation, secure sealing, and efficient material handling. With Kenray's expertise, manufacturers can achieve consistent, high-speed packaging while maintaining the integrity and functionality of their stand-up pouches.

Kenray Forming Ltd (UK Headquarters)
Telford Way, Stephenson Industrial Estate
Coalville, Leicestershire LE67 3HE, UK

 perform@kenrayglobal.com
 +44 (0) 1530 400 100

Registered in England: No 5097462

Kenray Europe Sp. z o.o. (European Hub)
Lipie 71A, Głogów Malopolski (Woj. Podkarpackie)
36-060 Poland

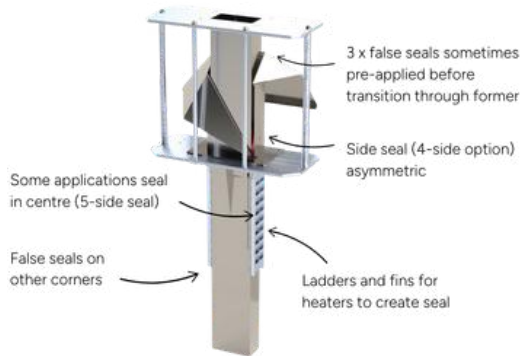
 europe@kenrayglobal.com
 + 48 889 441 554

Registered in Poland: No PL 8133899127

KENRAY QUAD SEAL FORMERS

Kenray Global's Quad Seal Packaging Solutions are engineered for premium, high-capacity packaging that provides enhanced stability and shelf appeal. Quad seal bags feature four crisp, reinforced seals, offering superior strength, improved product protection, and an upright, structured design ideal for retail display.

CHARACTERISTICS OF A TYPICAL QUAD SEAL FORMER

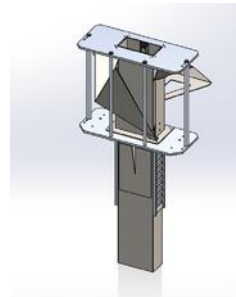


- > Reinforced seals for superior bag strength and durability
- > Supports premium, structured bag shapes for enhanced shelf presence
- > Optimised for material efficiency, reducing waste and production costs
- > Compatible with a variety of films, including high-barrier and laminated
- > Built for high-speed performance with precise, repeatable results



OUR SOLUTIONS

Used across industries including snacks, pet food, coffee, and dry goods, quad seal packaging requires precision forming sets to ensure clean, consistent seals and optimal material usage. With Kenray's expertise, manufacturers can achieve reliable, high-speed packaging that enhances both efficiency and product presentation.



Kenray Forming Ltd (UK Headquarters)
Telford Way, Stephenson Industrial Estate
Coalville, Leicestershire LE67 3HE, UK

 perform@kenrayglobal.com
 +44 (0) 1530 400 100

Registered in England: No 5097462

Kenray Europe Sp. z o.o. (European Hub)
Lipie 71A, Głogów Malopolski (Woj. Podkarpackie)
36-060 Poland

 europe@kenrayglobal.com
 + 48 889 441 554

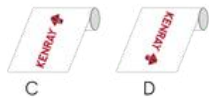
Registered in Poland: No PL 8133899127

KENRAY 3-SIDE SEAL FORMERS

Kenray Global's 3-Side Seal Packaging Solutions are designed to create durable, secure, and visually appealing pouches for a wide range of products. This popular format provides excellent product protection, efficient use of materials, and a sleek, flat design ideal for retail display.

CHARACTERISTICS OF A TYPICAL 3-SIDE SEAL FORMER

Film often inverted
Type C or D



Film orientation will be
C or D on the Unwind Chart

Jaws and spreaders
rotated 90° to be
front and back



- > Precise sealing to maintain product freshness and prevent leakage
- > Supports various materials, including laminated films and barrier packaging
- > Uniform pouch formation for a professional, high-quality appearance
- > Compatible with high-speed packaging lines for maximum efficiency
- > Durable construction to withstand continuous production demands



OUR SOLUTIONS

Commonly used for snacks, powders, liquids, and pharmaceutical products, 3-side seal pouches require precision engineering to ensure strong, airtight seals and consistent bag formation. With Kenray's expertise, manufacturers benefit from forming sets that deliver high-speed performance, minimal waste, and superior seal integrity.



Kenray Forming Ltd (UK Headquarters)
Telford Way, Stephenson Industrial Estate
Coalville, Leicestershire LE67 3HE, UK

 perform@kenrayglobal.com
 +44 (0) 1530 400 100

Registered in England: No 5097462

Kenray Europe Sp. z o.o. (European Hub)
Lipie 71A, Głogów Malopolski (Woj. Podkarpackie)
36-060 Poland

 europe@kenrayglobal.com
 + 48 889 441 554

Registered in Poland: No PL 8133899127

KENRAY AGRICULTURAL & AGGREGATES FORMERS

Kenray Agricultural & Aggregate Formers — Precision Forming Solutions for Bulk & Field-Crop Packaging.

CHARACTERISTICS OF A TYPICAL AGRICULTURAL & AGGREGATES FORMER

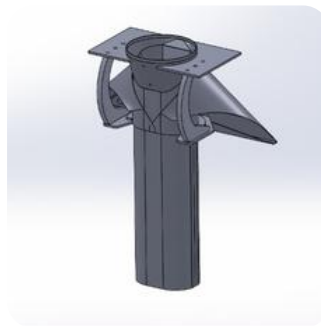


- > Create accurate, stable film tubes and bag shapes for bulk, loose, and free-flowing products such as grains, rice, seeds, pulses, animal feeds, and aggregate materials.
- > Ensure smooth product flow and distribution into the film tube, reducing bridging, hang-ups, and segregation
- > Handle large particulate and variable-sized product with minimal wear on components and consistent film control
- > Optimised for efficient material usage to reduce waste & production costs
- > Built for high-speed operation while ensuring precise, repeatable results



OUR SOLUTIONS

Kenray's Agricultural & Aggregate Formers are engineered forming sets and tooling solutions developed specifically for the unique demands of agricultural produce, grains, seeds, cereals, and bulk aggregate products. Drawing on over four decades of expertise in precision forming engineering, these formers are built to deliver consistent performance, robust reliability, and superior package integrity across high-speed vertical form-fill-seal (VFFS) packaging lines.



Kenray Forming Ltd (UK Headquarters)
Telford Way, Stephenson Industrial Estate
Coalville, Leicestershire LE67 3HE, UK

 perform@kenrayglobal.com
 +44 (0) 1530 400 100

Registered in England: No 5097462

Kenray Europe Sp. z o.o. (European Hub)
Lipie 71A, Głogów Malopolski (Woj. Podkarpackie)
36-060 Poland

 europe@kenrayglobal.com
 + 48 889 441 554

Registered in Poland: No PL 8133899127

KENRAY CEREALS FORMERS

Kenray Global's Cereal Packaging Solutions are designed to handle the unique challenges of packaging dry, free-flowing products such as breakfast cereals and granola. With a focus on efficiency, precision, and product protection, our forming sets ensure consistent, high-quality packaging that preserves freshness and reduces product breakage.

CHARACTERISTICS OF A TYPICAL CEREAL FORMER



- > Smooth product flow to prevent blockages and ensure consistent filling
- > Optimised film control for tight, secure seals and minimal material waste
- > Engineered to protect fragile cereals and prevent breakage
- > High-speed production performance without compromising efficiency
- > Durable construction for continuous operation in demanding environments



OUR SOLUTIONS

We work closely with leading cereal manufacturers to develop forming sets that optimise performance, minimise material waste, and maintain the integrity of fragile cereal products during the packaging process. With Kenray's expertise, you can ensure smooth operations and consistently well-formed, secure packs.



Kenray Forming Ltd (UK Headquarters)
Telford Way, Stephenson Industrial Estate
Coalville, Leicestershire LE67 3HE, UK

 perform@kenrayglobal.com
 +44 (0) 1530 400 100

Registered in England: No 5097462

Kenray Europe Sp. z o.o. (European Hub)
Lipie 71A, Głogów Malopolski (Woj. Podkarpackie)
36-060 Poland

 europe@kenrayglobal.com
 + 48 889 441 554

Registered in Poland: No PL 8133899127

- > Forming sets & Repairs
 - > Former coatings
- > Horizontal Flow Wrapper Toolings
- > Tube Closers & Product Strippers
 - > Cutting knives
 - > Flexible Chutes
 - > Sealing jaws
 - > Draw-down belts
 - > Former accessories
- > Training & Technical Service



The world's biggest brands and OEMs choose KENRAY formers for better performance and profit.

Shouldn't you?

KENRAY are recognised as the global authority on the development and manufacture of formers and solutions for the packaging industry.

Our key area of expertise is the innovative design in forming sets for vertical form fill and seal packaging machines. Renowned for value-added service, consistency of design, extensive testing procedures and accuracy in manufacturing, KENRAY are the partners of choice for companies around the world within the food and pharmaceutical packaging sector.

Our forward-thinking engineering ensures interchangeability and repeatability. It is this precision that continues to endorse KENRAY'S position as the Global Leader in this market today.

KENRAY. Perform Better.

KENRAY

KENRAY®

