

DALTRON X

BREAKING NEW GROUND



DX-MINING

DALTRONX

BREAKING NEW GROUND



BREAKING NEW GROUND

INTRODUCTION

DaltronX specialises in manufacturing carbide cutting picks and sleeves for underground coal mining. Our tungsten carbide mining teeth and sleeves are expertly designed to meet the rigorous demands of continuous miners, road headers, and longwall shearers, making them the preferred choice for coal mining operations worldwide. Whether you're working in underground or open cast mining, we provide the ideal solutions to meet your needs.

We manage the entire production process for our mining cutting picks, ensuring precise quality control at every step. With over 30 years of experience, we've fine-tuned our methods to create durable, efficient carbide tools that perform well in both surface and underground mining conditions.

Explore our range of carbide mining picks and sleeves or work with our team to develop custom solutions for your specific mining requirements.

ROCK SOLID DEPENDABILITY

SPECIALLY FORMULATED
CARBIDE RECIPE

SPECIALISED BRAZING
AND HEAT TREATMENT
PROCESSES

PRECISION
COLD-FORMED BODY

» SUPERIOR
HEAD HARDNESS

» OPTIMAL
ROTATION

» COMPATIBLE SLEEVES
AND ACCESSORIES
AVAILABLE



35MM SHANK SYSTEMS



DX-M9



DX-M10



DX-M11



DX-M12

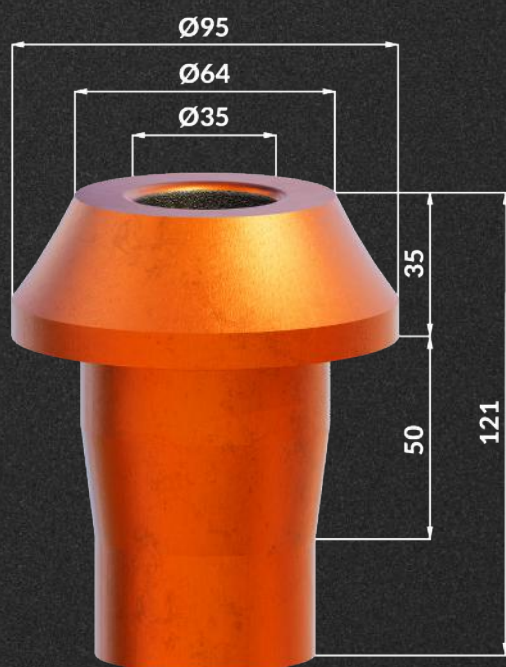


DX-M14

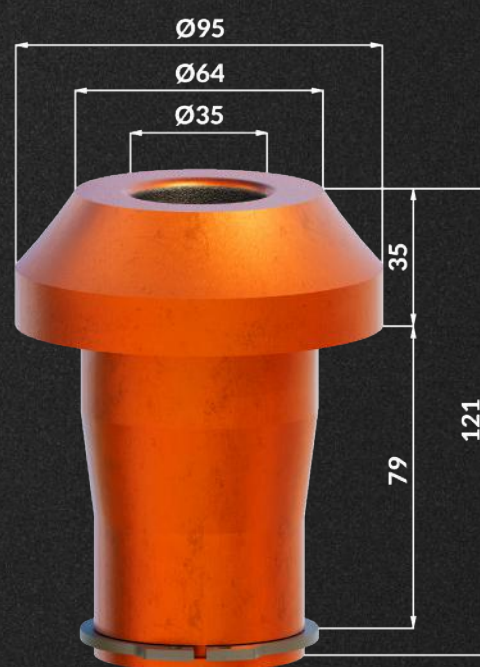


DX-M15

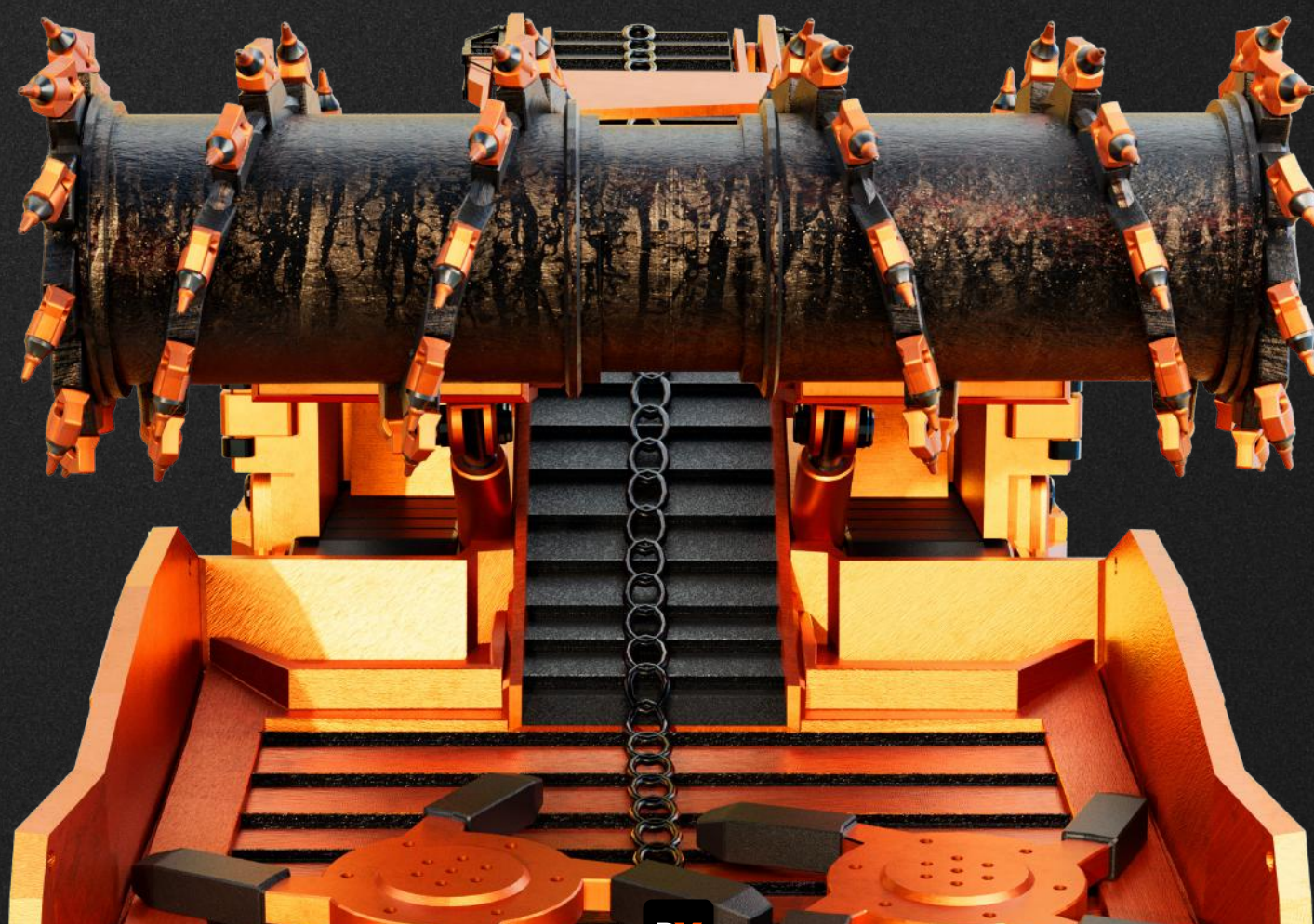
35MM SHANK SYSTEMS



DX-MS-35JLF90R



DX-MS-35JLF90RC



30MM SHANK SYSTEMS



DX-M3



DX-M4



DX-M5



DX-M6



DX-M7



DX-M8

CARBIDE CUTTING PICKS
30MM SHANK SYSTEMS



DX-M13



DX-M16



DX-M17



DX-M20



DX-M21



DX-M27

30MM SHANK SYSTEMS



DX-MS-30LF44



DX-MS-30LF51

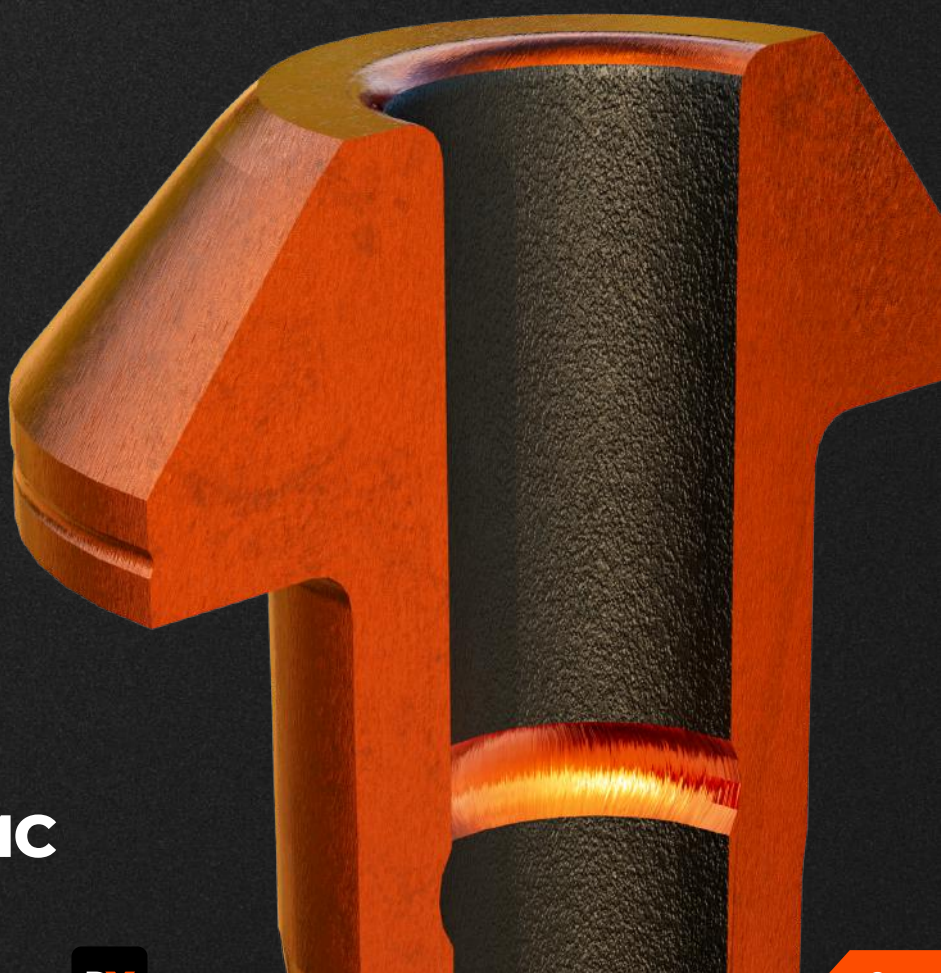


DX-MS-30SS52-40



DX-MS-MCH2-30PF

30MM SHANK SYSTEMS

**DX-MS-30JPF80R****DX-MS-30JPF80RC****DX-MS-MCH2-30PFHMC**

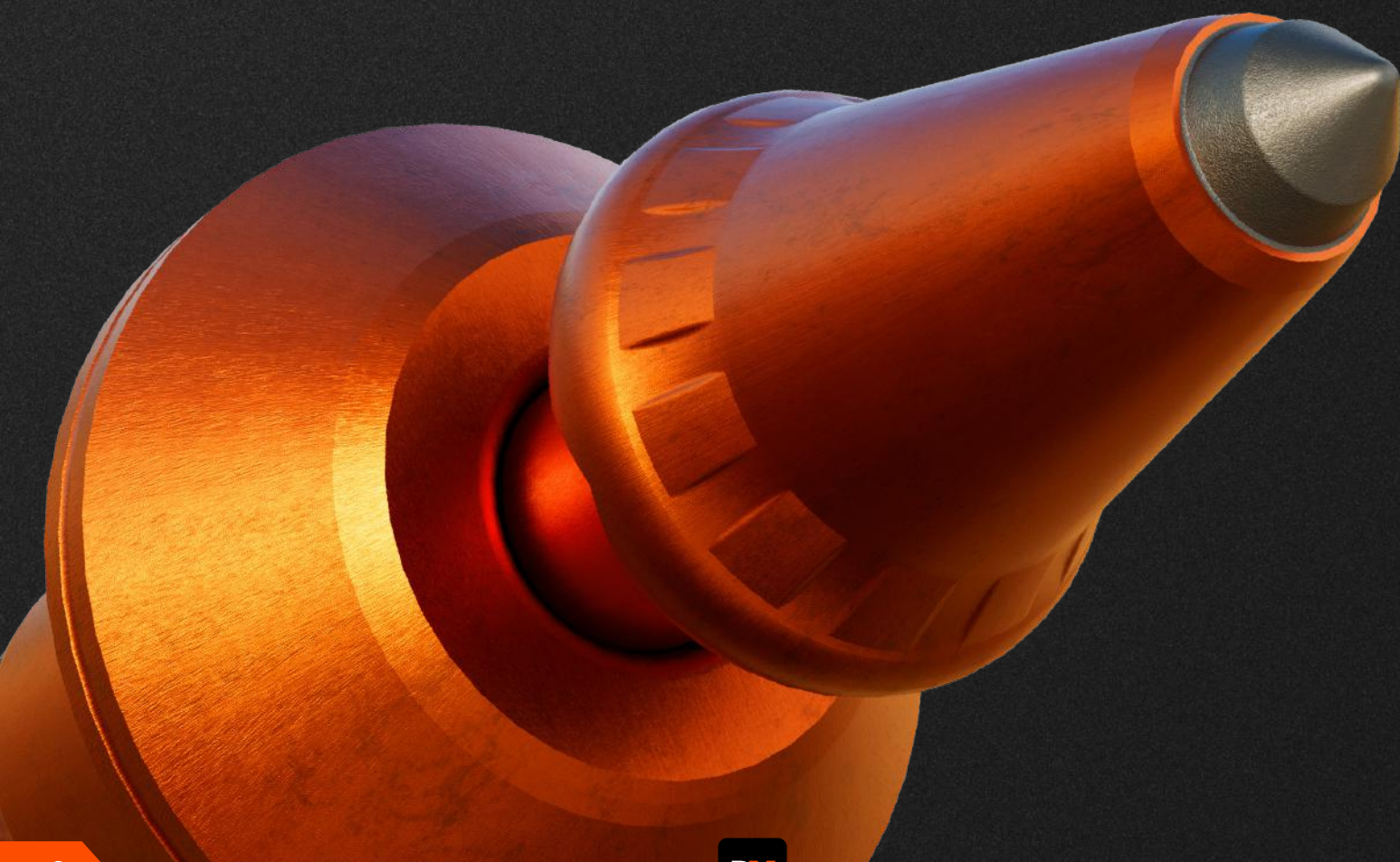
25MM SHANK SYSTEMS



DX-M2



DX-MS-MCH2-25PF



CARBIDE CUTTING PICKS & SLEEVES
20MM SHANK SYSTEMS



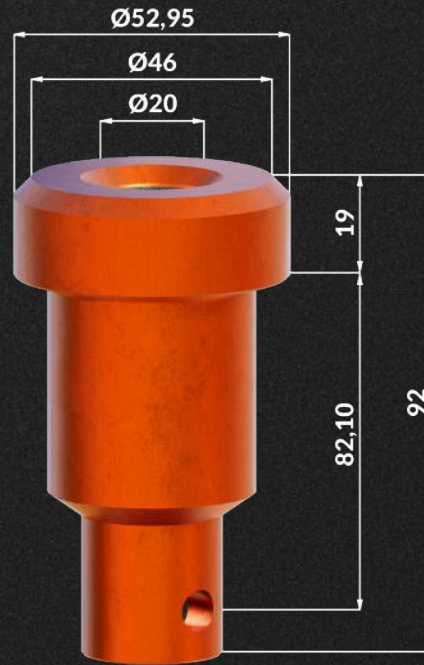
DX-M1



DX-MS-20SS35-27



DX-MS-20S28



DX-MS-20SS40-27





BREAKING NEW GROUND

SOUTH AFRICA - HEAD OFFICE

Reception: +27 10 591 0208
sales@daltronx.com

52 Paul Smit Road, Anderbolt,
Boksburg North, Gauteng, South Africa

MENA REGION

John Metzer: +971 50 653 6480
John Metzer KSA: +966 54 541 9239
Mandy Metzer: +971 50 450 2486
sales.mena@daltronx.com

P.O.Box 9349, Dubai Trade Centre Area,
Sheikh Zayed Road, Dubai, U.A.E.

AUSTRALASIA REGION

Jonathan Bosch: +61 412 272 832
David Bosch: +61 430 598 585
sales.au@daltronx.com

24 Geoffrey Avenue, Southport,
Queensland, 4215, Australia

WWW.DALTRONX.COM