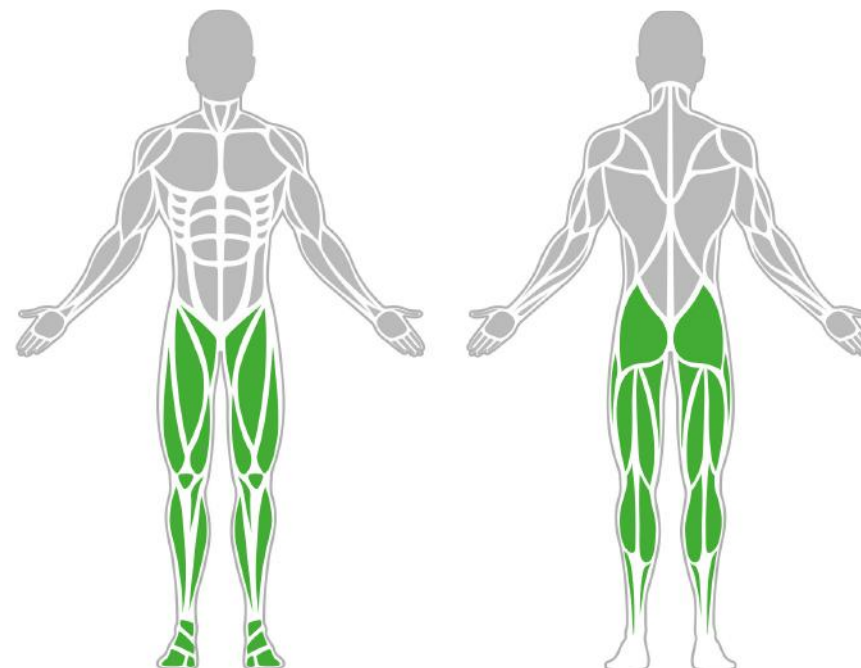




Muscle Groups Focus



Air Walker

The air walker helps tone the calf and thigh muscles and improves overall cardiovascular fitness, balance and coordination. The motion allows the user to gently move through the above muscle groups without straining the joints, making this outdoor recreation device perfect for all age groups.

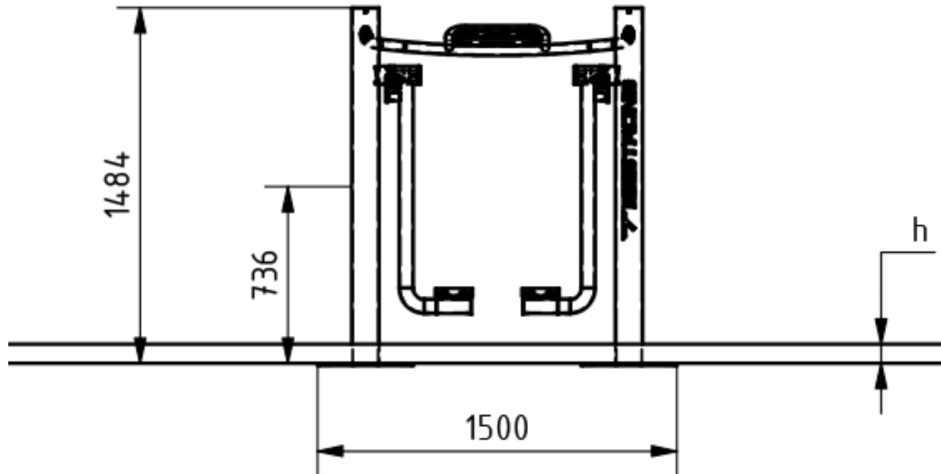
Attributes

Product code	1-1-304
Certificate	EN 16630
Age group	14 + years
Capacity	1 person
Max. weight load	130 kg
Type	Recreational
Difficulty level	Easy

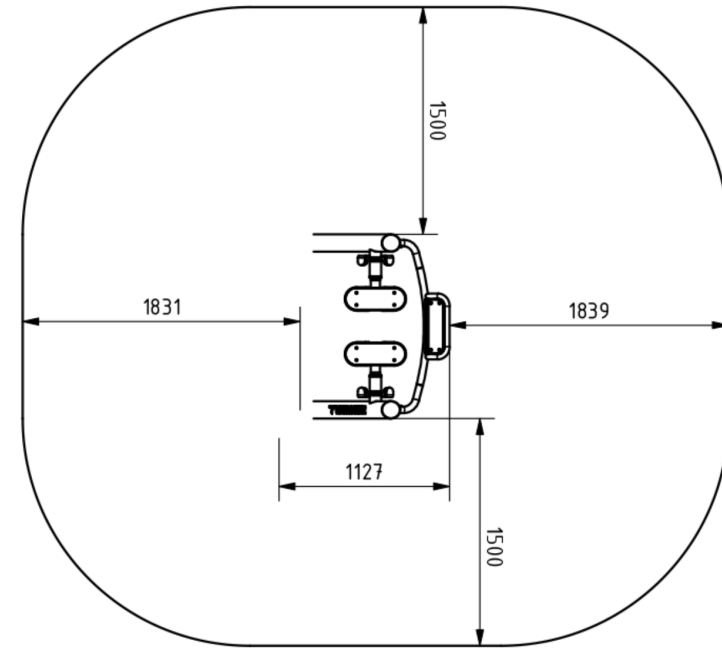
QR Code



Side View



Plan View



Installation information

Number of installers (concrete)	At least 2 people
Total installation time (concrete)	80-140 min.
Number of installers (equipment)	At least 2 people
Total installation time (equipment)	60-90 min.
Excavation volume	1.2 m ³
Concrete volume	1.2 m ³
Size of the base structure	0,8 x 1,9 x 0,8 m
Anchoring options	Surface mounted
In combined structures, the volume of concrete required varies.	

Technical specification

Safety surface area	Around 1,5 m radius
Net weight	101 kg
Material	S235, KO33
Critic fall height	750 mm
Color options	
For more color options, discuss with your sales representative.	

Warranty

Structure	10 years
Steel	5-10 years
Paint	2 years
Plastic	5-10 years
Rubber	1-3 years
Moving parts	2 years
Detailed information in the warranty document	

Material specification



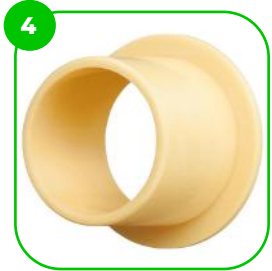
The element is made of high quality S235 steel, which has been cleaned via sandblasting. A corrosion resistant powder coating finish is then applied. Also available with galvanized surface for even greater protection and longevity!



The footrests are made of premium quality non-slip HDPE with a high wear resistance.



The device is equipped with an ergonomic non-slip HDPE phone holder for convenience.



The device is fitted with composite bearings that are weather-resistant. The bearing does not require regular maintenance.



The bumpers of the devices are made of durable rubber material.

