

COMBi-WR

Pedestrian Reach Stacker

The first purpose built pedestrian reach stacker combining innovative features, effortless operation and safety.

COMBiLiFT

LIFTING INNOVATION

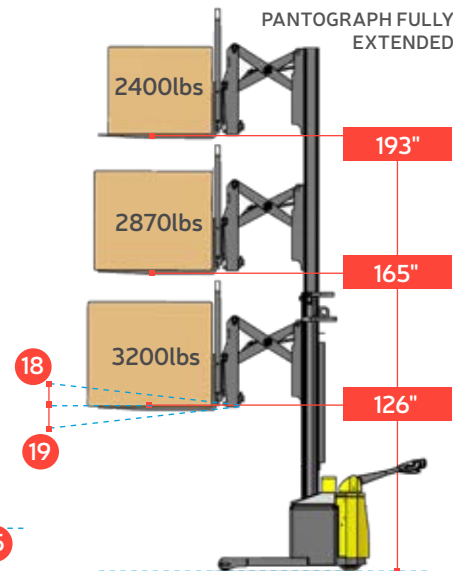
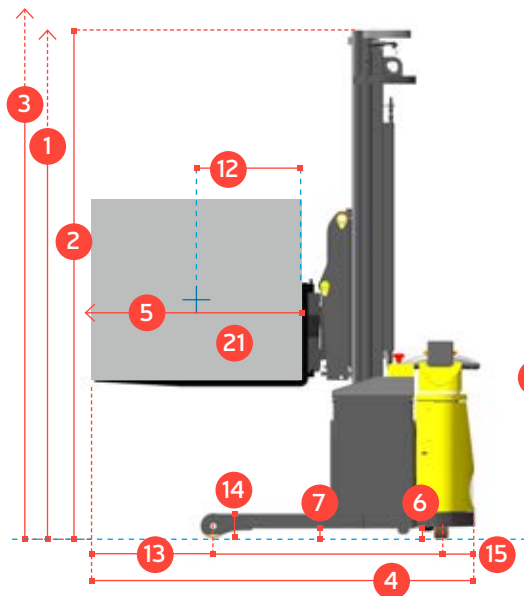
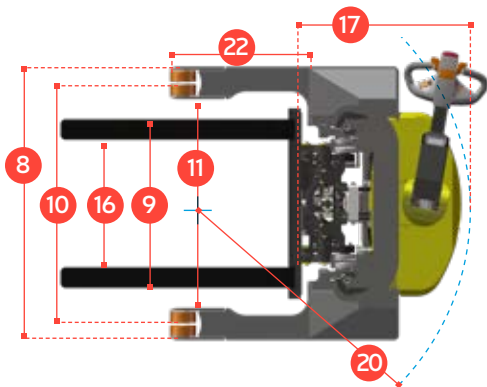


Patented Multi-Position
Tiller Arm



COMBI-WR

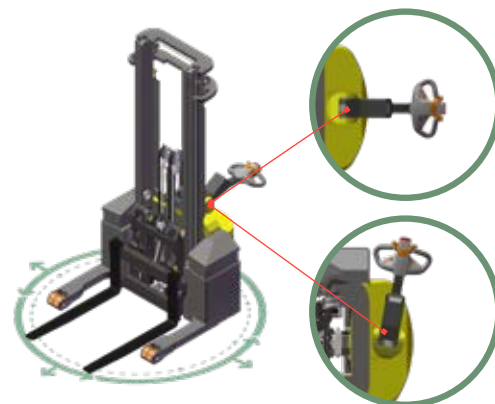
Pedestrian Reach Stacker



REF.	DESCRIPTION	STD.	OPTIONAL	
1a	Max. Lift Height	118"	165"	192"
1b	Free Lift Height	35"	59"	73"
2	Height Mast Closed	83"	106"	120"
3	Max. (Mast Raised)	165"	213"	240"
4	Overall Length		77"	
5	Fork Travel		23"	
6	Ground Clearance Under Mast		3"	
7	Ground Clearance to Center of Wheelbase		2"	
8	Width		52"	
9	Outside Spread of Fork Arms		32"	
10	Track Front		46"	
11	Frame Opening		41½"	
12	Load Center Distance		24"	
13	Overhang Front		24"	
14	Wheelbase		46"	
15	Overhang Back		7"	
16	Fork Side Shift		3" Left / 3" Right	
17	Length from Face of Fork		34½"	
18	Fork Backward Tilt		3°	
19	Fork Forward Tilt		3°	
20	Minimum Outside Radius		53"	
21	Leg Height		5"	
22	Leg Length		21"	
A	Capacity		3,100 lbs @ 125" Lift	
B	Unladen Weight		5,000 lbs 5,700 lbs 5,950 lbs	
C	Maximum Ground Speed		3¾ mph	
D	Gradeability		5%	
E	Battery Capacity		24 V / 270 Ah	
F	Fork Section		1½" x 4" x 42"	
G	Front Tire (Polyurethane)		OD 5" / Width 3"	
H	Rear Tire (Vulkollan)		OD 10" / Width 3"	
I	Standard Color		Yellow & Gray	
J	AC Electric Traction Motor		24V / 3.35 HP	
K	AC Electric Pump Motor		24V / 6.7 HP	

Superior safety with Combilift's patented Multi-Position Tiller Arm

The tiller can be turned to the left or right to allow the operator to remain at the side. This enables full visibility of the load and forks, while maintaining full steering control, providing greater awareness of the surroundings for enhanced overall safety.



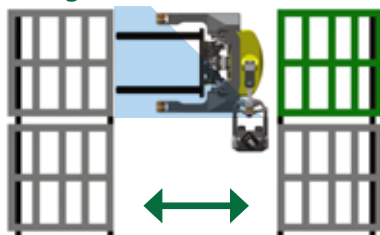
Features Include:

- Pantograph
- Power Steering
- AC Motor Technology
- 47" High Load Back Rest
- Rear Wheel Drive
- 3/3" Side Shift
- Patented Multi-Position Tiller Arm

Distributed by:

Standing to the side of the stacker eliminates the risk of being trapped or crushed whilst allowing the Combi-WR to operate in very narrow aisles.

Using Combi-WR



International Application No. PCT/EP2012/067238 Multi Position Tiller

COMBILIFT HAS A POLICY OF CONTINUOUS PRODUCT DEVELOPMENT AND RESERVES THE RIGHT TO ALTER SPECIFICATIONS WITHOUT PRIOR NOTICE. SPECIFICATIONS AND/OR DIMENSIONS MAY VARY FROM THOSE ILLUSTRATED IN SOME COUNTRIES.

303 CONCORD STREET,
GREENSBORO,
NORTH CAROLINA 27406

TOLL FREE: 1-877 COMBI 56
TEL: 336-378-8884
INFO@COMBILIFT.COM

combilift.com

