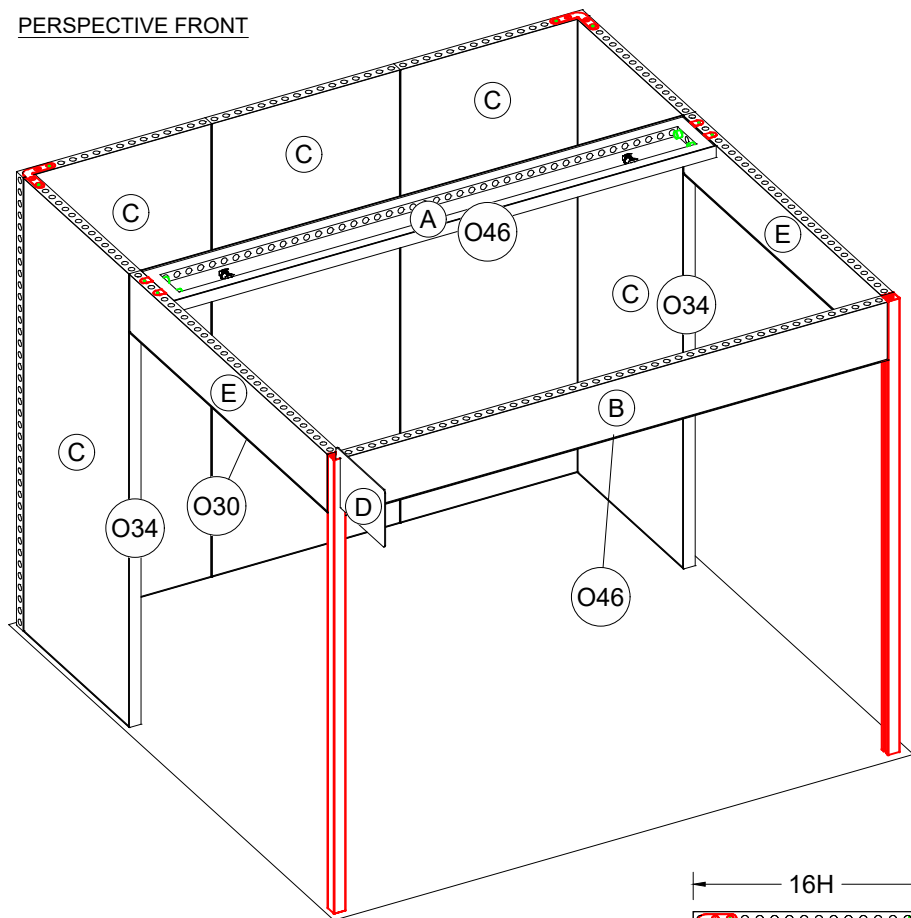


10x10 Inline Booth

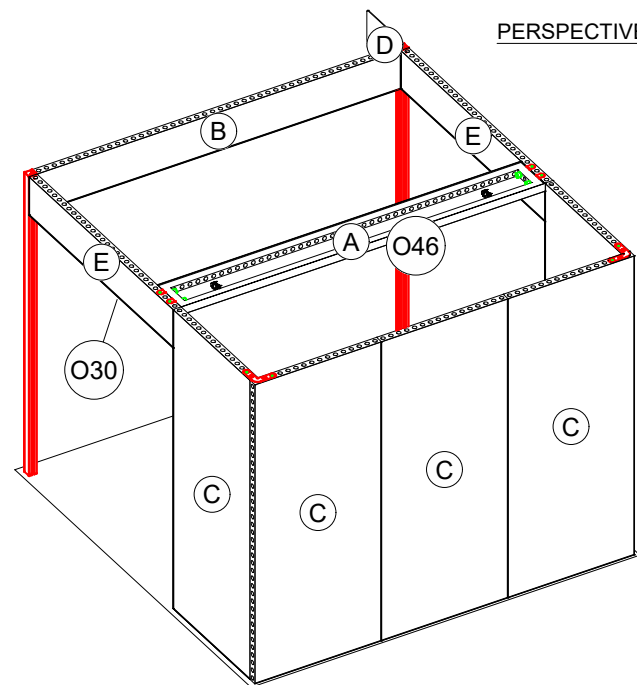
ID Sign
(18" x 12")



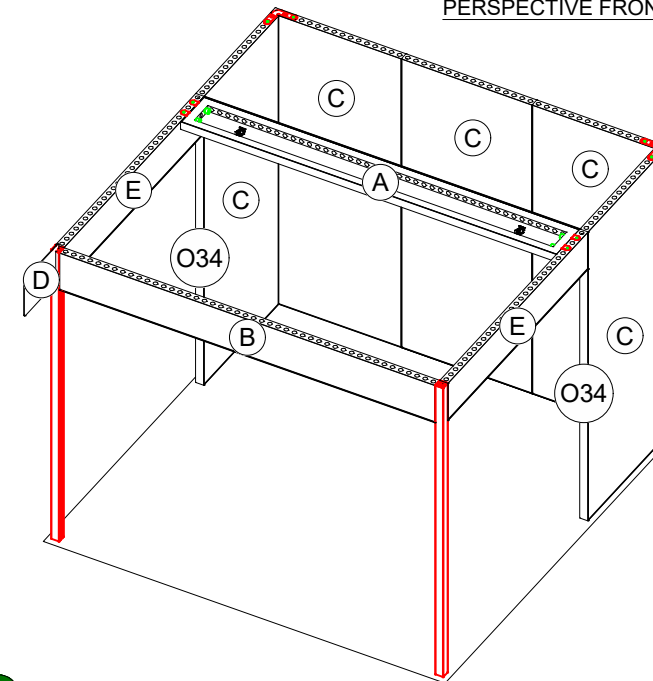
PERSPECTIVE FRONT



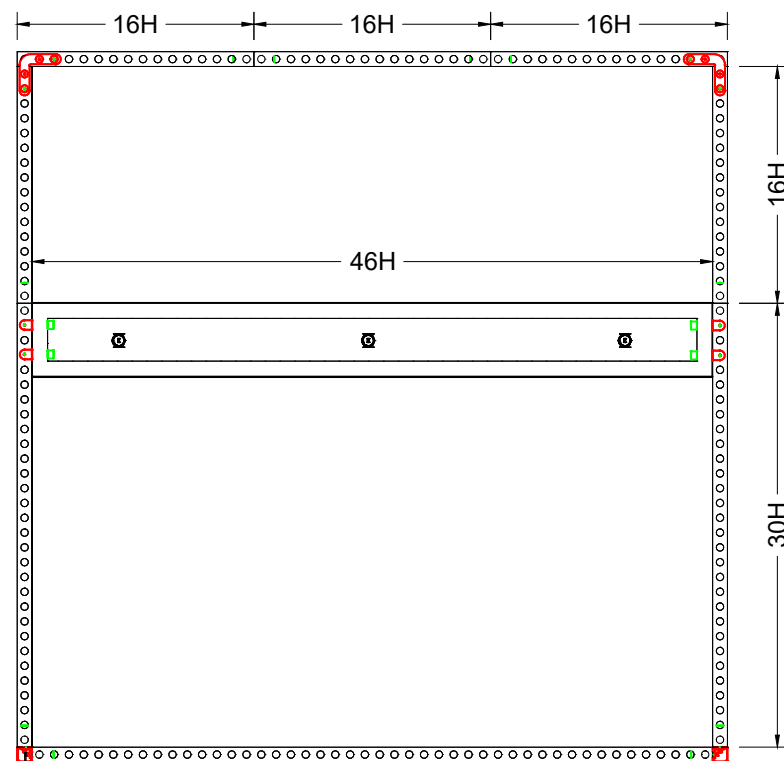
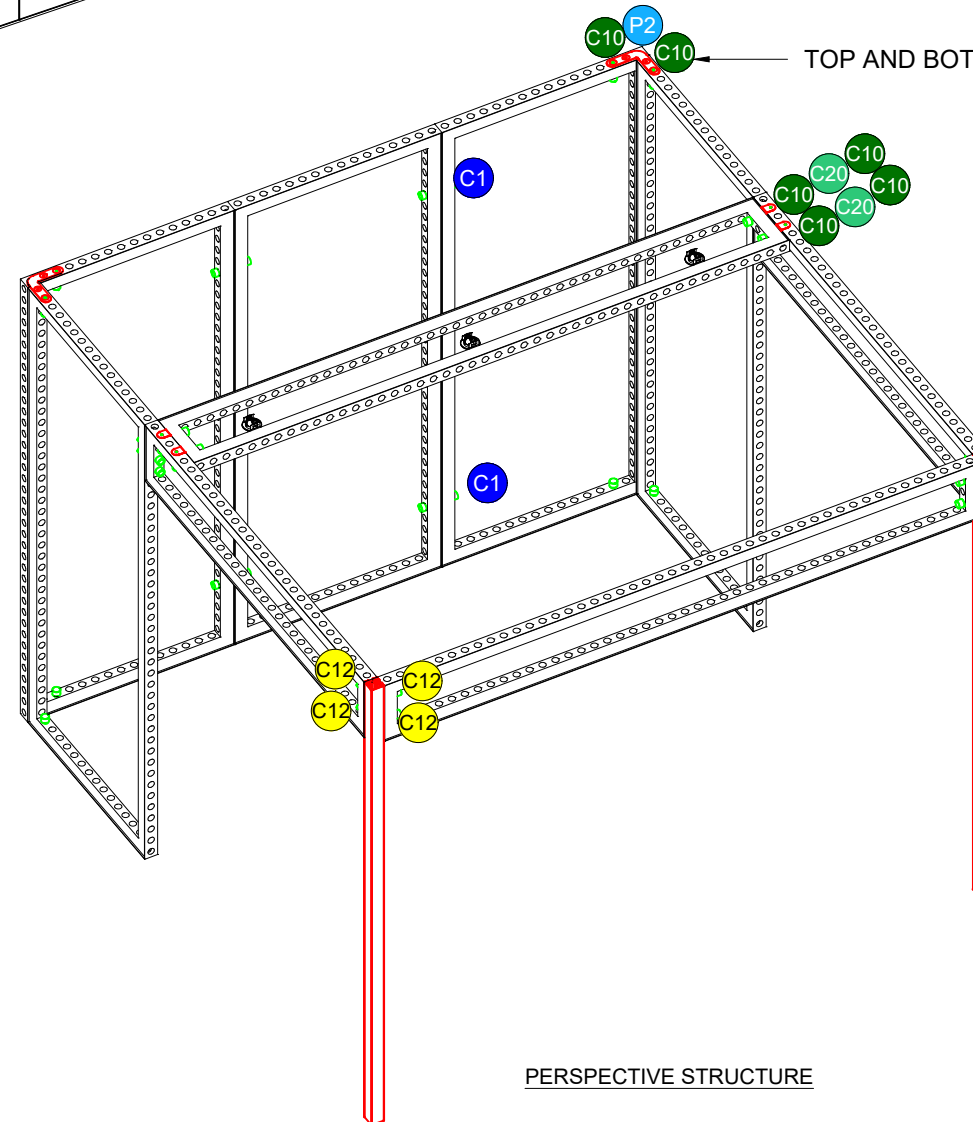
PERSPECTIVE BACK



PERSPECTIVE FRONT



TOP AND BOTTOM



PLAN VIEW



PERSPECTIVE STRUCTURE

LESS THAN 30 DAYS OUT



MORE THAN 30 DAYS OUT









Pull List

I.D.	Qty	Type	Size	Area (SqFt)	Part Number	Description	Material	Color	Notes	Low Inv.	Weight
	2	FLEX Frame-Straight	12-3/16" x 112-1/4" (12.188" x 112.25")		60400015	Straight Frame 05 Hole x 46 Hole	Aluminum	Silver	SF05460001	X	33.48
	2	FLEX Frame-Straight	12-3/16" x 73-1/4" (12.188" x 73.25")		60400011	Straight Frame 05 Hole x 30 Hole	Aluminum	Silver	SF05300001	X	22.98
	5	FLEX Frame-Straight	39-1/16" x 95-3/16" (39.062" x 95.188")		60400043	Straight Frame 16 Hole x 39 Hole	Aluminum	Silver	SF16390001		90.30
	2	FLEX Acc-Corner Post	95-3/16"		60440011	Square corner profile w/ 2 sides x 39 hole	Steel	Gray	CO6122976S02		15.60
C20	4	FLEX Acc-Pin Plate	Standard		60440055	Stainless steel 90° connector base	Steel	Stainless	CO901280222INOX		3.56
P2	4	FLEX Acc-Pin Plate	Standard		60440060	4 Pin 90	Steel	Chrome	CO901280341C		4.72
C1	8	FLEX Part-Connector	Standard		60440043	Manual Clamp Connector	Aluminum	Silver	CO90120250132POM		2.96
C10	24	FLEX Part-Connector	Standard		60440047	Manual M8 Pin Connector	Aluminum	Silver	CO90120480066MKII		5.28
A	1	Flex Insert	11-15/16" x 112" (11.938" x 112.0")	9.3	60160018	Flex Insert [5x40 Hole]	MDF 1/4"	White	w/ Female Velcro		2.86
B	2	Flex Insert	11-15/16" x 112" (11.938" x 112.0")	9.3	60160018	Flex Insert [5x40 Hole]	PVC 3MM	White	w/ Female Velcro		5.72
C	10	Flex Insert	38-3/4" x 94-15/16" (38.75" x 94.938")	25.5	60160051	Flex Insert [16x39 Hole]	PVC 3MM	White	w/ Female Velcro		85.60
E	4	Flex Insert	11-15/16" x 72-15/16" (11.938" x 72.938")	6.0	60160013	Flex Insert [5x30 Hole]	PVC 3MM	White	w/ Female Velcro		8.60
O34	2	Overlay Panel	2-7/16" x 83"	1.4	<<CUSTOM>>	Cover Profile 34 Hole	PVC 3MM	White			
	3	Lighting	Standard		<<CUSTOM>>	Ceiling Lights-Wall Sconce / Puck Light	Standard	Standard			
D	1	Graphic Panel	18" x 12"	1.5	<<CUSTOM>>	In Post Directional	Poly 1/2"	Graphic			
				Total Area:	53.00					Total Weight:	281.66

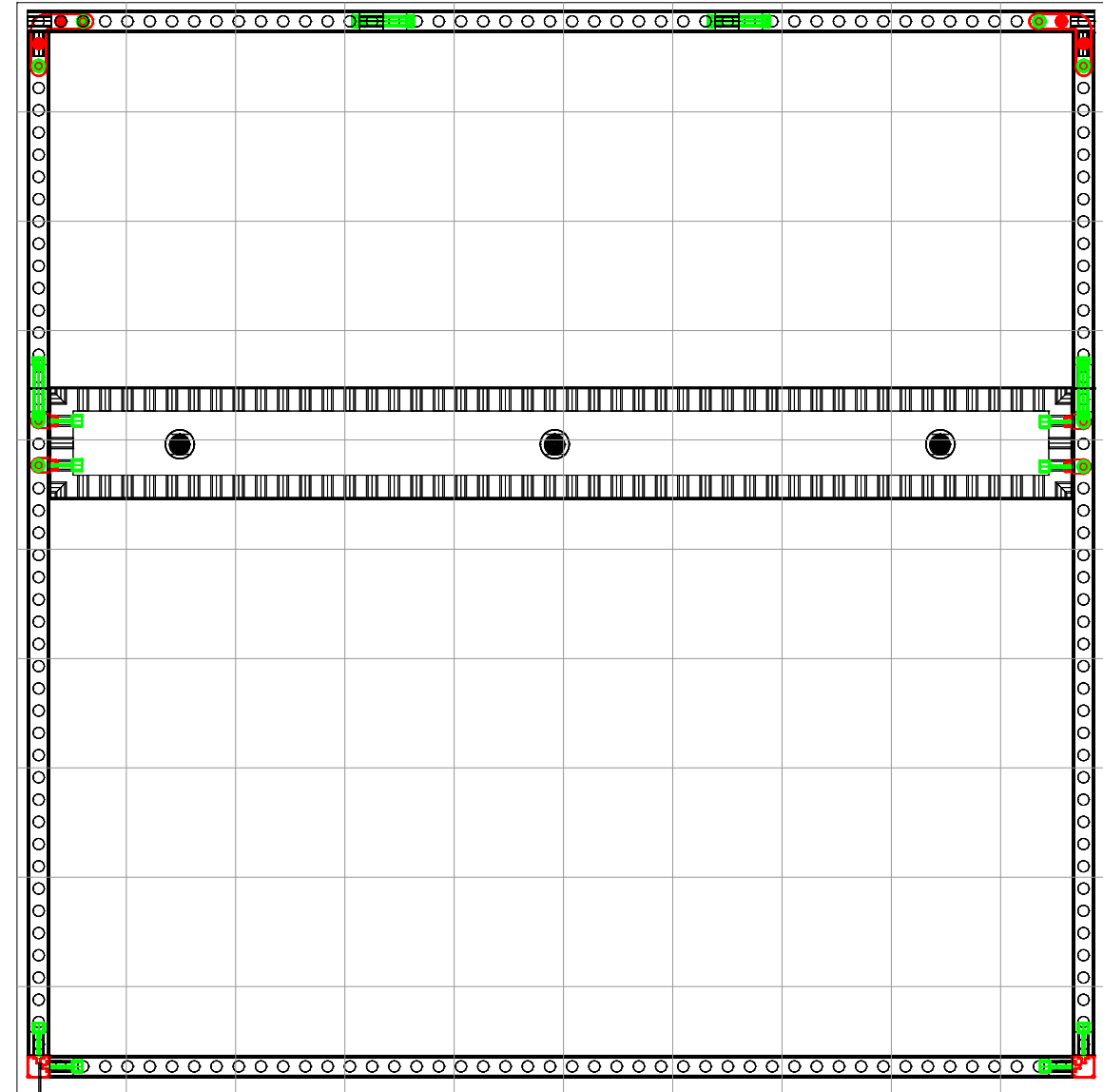
ELECTRICAL LAYOUT

UTILITIES LEGEND

QTY	DESCRIPTION
??	A  - 120V, 500W (5 AMP)
??	B  - 120V, 1000W (10 AMP)
??	C  - 120V, 1500W (15 AMP)
??	D  - 120V, 2000W (20 AMP)
??	E  - 120V, 2000W (20 AMP) 24 HR.
??	 - INTERNET LINE

1' GRID

FLOOR PLAN HERE



ORDERED BY:

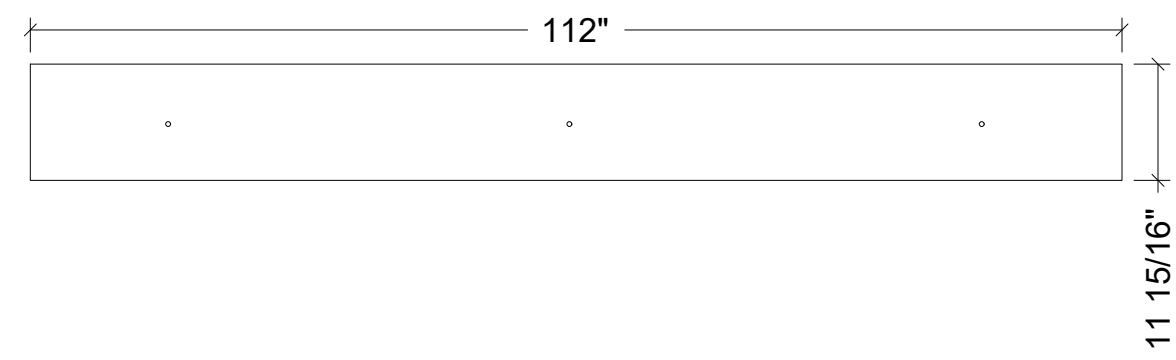
ORDER DATE:

DUE DATE:

4

9999373

CNC PAGE



NAME: A
MATERIAL: MDF 1/4"
NOTES:
QTY: 1
NEED TO CUT: