

HIGOLD[®]
AUSTRALIA

PRODUCT COLLECTION



WORLD LEADING
KITCHEN HARDWARE

TABLE OF CONTENTS

INTRODUCTION	005
KITCHEN STORAGE	008
PANTRY	010
CORNER	036
OVERHEAD	050
UNDERBENCH	056
DRAWERS	064
PULL OUT WASTE BINS	078



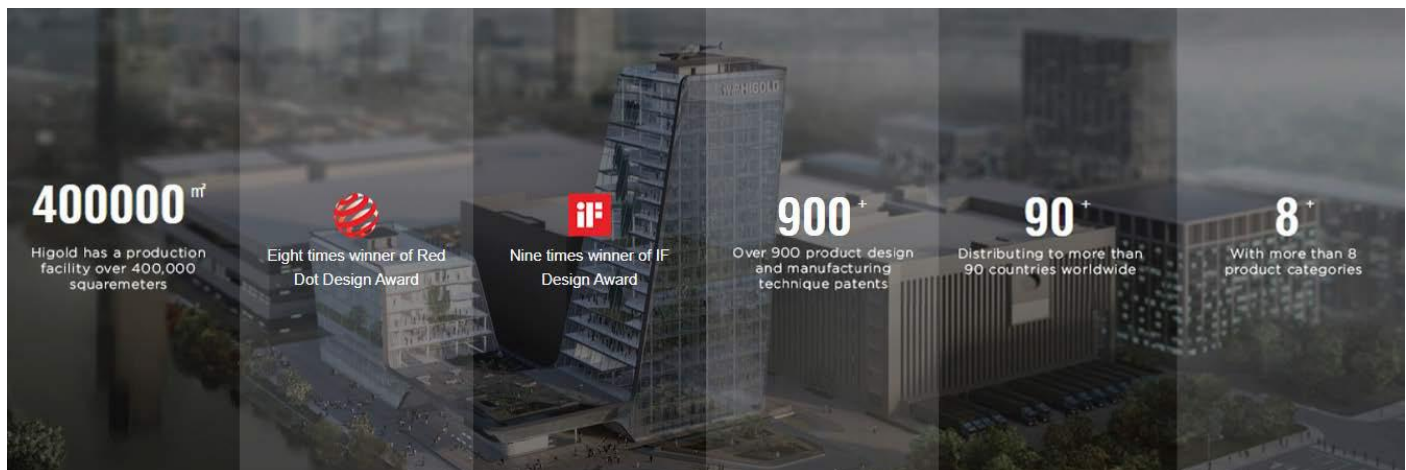
INTRODUCTION

Higold Australia is part of the Higold Group, a Global Leader in functional home hardware since 1989.

With one of the largest design teams and production facilities in the world, Higold is a global leader in designing and manufacturing innovative functional hardware for the luxury residential market.

Its key categories include:

- Intelligent kitchen storage hardware
- Kitchen sink and tapware solutions
- Luxury wardrobe storage hardware



Higold Australia products are distributed by Vanguard Design Group Pty Ltd under licence from the Higold Group. Vanguard Design Group is a specialist wholesaler and distributor of luxury residential renovation fixtures and fittings.

See www.VanguardDesign.com.au for more information



Higold Australia Distributor



AWARDS RECEIVED

Winner of 2014 RedDot Award

HIGOLD Shenzou - 10 space capsule

Winner of 2017 RedDot Award

The Water Dispenser

Winner of 2018 RedDot Award

Kitchen intelligent mini oven

Winner of 2021 RedDot Award

Shearer 4.0 Series

Winner of 2020 iF Design Award Germany

ONDA Series from HIGOLD Outdoor Furniture

Winner of 2021 iF Design Award Germany

Shearer 4.0 Series

Winner of 2021 iF Design Award Germany

Piniz Kitchen Tap

Winner of 2022 RedDot Award

Piniz Faucet 2.0

Winner of 2022 RedDot Award

Multifunctional Purification Kitchen Sink

Winner of 2022 iF Design Award

BN Faucet 2.0

Winner of 2022 iF Design Award

P10 Integrated Sink Dishwasher

Winner of 2023 iF Design Award

Right-angle L shaped Range Hood
Shearer Tourbillon Rotating Pantry
Belle Luxe 2.0 Workstation Kitchen Sink

Winner of 2023 RedDot Award

F2 Series Door Handle
F1 Series Door Handle

World-class landmark headquarters

National high and new technology enterprise

Provincial industrial design center

Shunde new era entrepreneurial pioneer enterprise

Top 10 Hardware Industry

China's Top 500 Home Furnishing Manufacturing Industries in 2020



2014 RedDot Design Award



2017 RedDot Design Award



2018 RedDot Design Award



2021 RedDot Design Award



2023 RedDot Design Award



DESIGN



Design Award 2020



Design Award 2021



Design Award 2023



The Pinnacle Awards Asia-Pacific



Golden Hook Prize



National Standards
Maker of Kitchen Hardware
Industry



GB/T 24001-2016
ISO14001: 2015 Standard



ISO 9001 Quality Management
Certification



National High-Tech
Enterprise



BSCI Certification



Top 10 Chinese Enterprises
of Kitchen and
Bathroom Accessories

KITCHEN STORAGE

Higold leads the global market in functional kitchen cabinet hardware. Higold's reputation for design, functionality, durability and innovation define all their kitchen cabinet products. Optimise storage accessibility and capacity with the full range of Higold hardware products:

- Pantry cabinet storage
- Corner cabinet storage
- Overhead cabinet storage
- Underbench cabinet storage
- Drawers
- Pull-out waste bins





CABINET STORAGE TRAY DESIGNS

Four distinct tray styles that combine functionality, beauty, and optimal space utilisation.

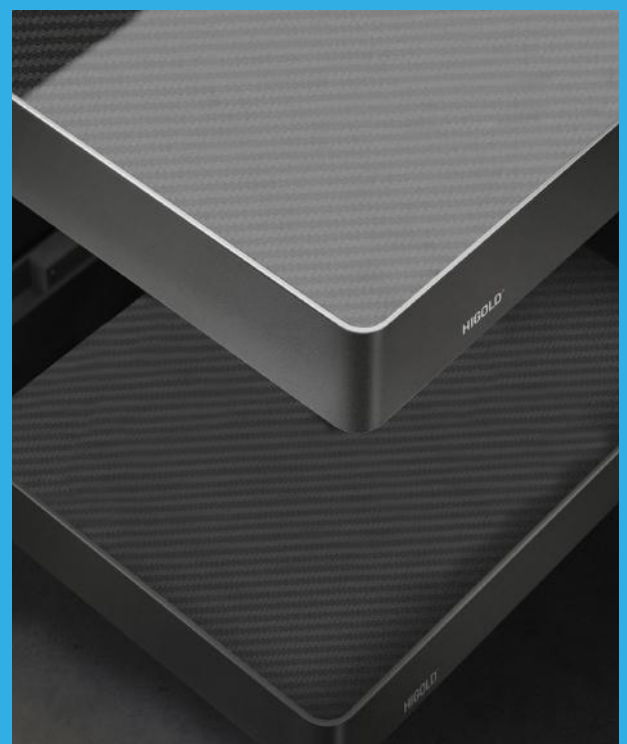


SHEARER

- Anthracite Grey Finish Aluminium Rails
- Solid MDF Base Trays
- Removable Anti-slip Mats

SHEARER PRO

- Anthracite Grey Finish
- R10 Rounded Corner Trays
- Solid MDF Base with Anti-skid Textured Surface





DIAMOND

- Classic Matte Grey Finished Steel Rails
- Solid MDF Base Trays
- Removable Anti-slip Mats

DIAMOND PRO

- Classic Matte Grey Finished Steel Rails
- Solid MDF Base with Anti-skid Textured Surface



PANTRY STORAGE

Turn your high cupboards into space-saving, smart shelf systems

- Designed for tall cabinets with standard Australian widths
- Full tray extension for complete access to the back of pantry shelves
- Adjustable frame height for optimum flexibility
- High quality runners to take high loads
- Soft Stop Plus



TOWER SYSTEM

- Adjustable height
- Width and height options
- Bottom and top mounted runners
- For hinged door cabinets
- Pulls out when door is opened



PULL OUT SYSTEM

- Adjustable height
- Width and height options
- Bottom and top mounted runners
- Cabinet door is mounted to front
- Pulls out via pulling door handle



OPEN OUT SYSTEM

- Width and height options
- Bottom mounted runner and door mounted tray brackets
- Hinged door
- Frame and rear trays pull out with door open
- Door mounted trays for smaller items

SHEARER TOURBILLON PANTRY UNIT WITH ROTATING TRAYS

Higold's most accessible pantry storage with a patented design, and the world's first tall pantry unit to deliver a complete view and all-encompassing access to stored items through its 360-degree rotation trays

- Adjustable height
- For 600mm cabinet width
- 360-degree rotation, self-returning baskets
- Bottom and top mounted runners
- For hinged door cabinets
- Pulls out when the door is opened

Patent Nos.
ZL202122510746.5
ZL202230189907.6





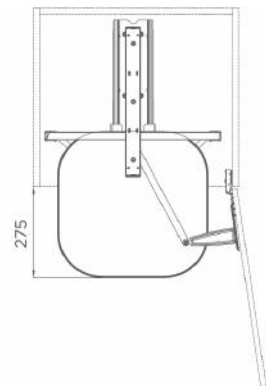
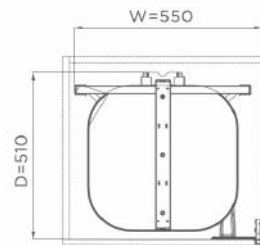


SHEARER TOURBILLON PANTRY UNIT WITH ROTATING TRAYS AND SOFT CLOSE

Simply the most accessible and adjustable pantry unit available, featuring self-return trays that can be rotated in any direction.



Each tray rotates 360° individually



PRODUCT ID	CABINET	W x D x H	CAPACITY	LAYERS
202295	600mm	550x510x(1675-1975)mm	Max 8kgs per tray	5
202296	600mm	550x510x(1975-2275)mm	Max 8kgs per tray	6



Scan/Click
to view on website

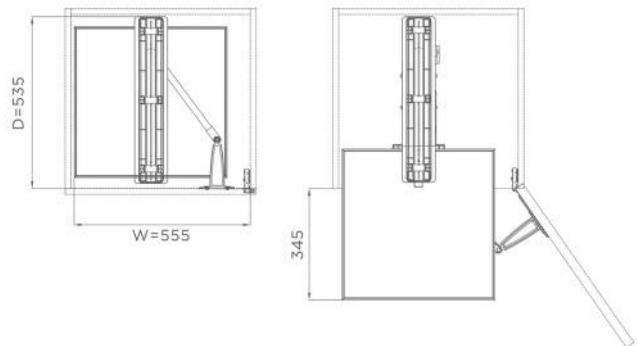


Patent Nos.
ZL201420232580.2
ZL201511009012.1
ZL201430122180.1



SHEARER **PRO** SPACE PULL OUT TOWER PANTRY UNIT WITH SOFT CLOSE

Transform your hinged cabinets into a seamless and functional storage with this tower pantry unit. Features adjustable frame and large-capacity trays in sleek grey design.



PRODUCT ID	CABINET	W x D x H	CAPACITY	LAYERS
205185R	600mm	555x535x(1720-2020)mm	Max 8kgs per tray	5
205186R	600mm	555x535x(2020-2320)mm	Max 8kgs per tray	6



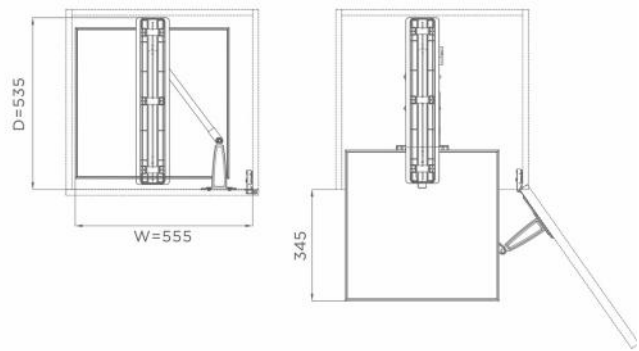
Scan/Click
to view on website





SHEARER SPACE PULL OUT TOWER PANTRY UNIT WITH SOFT CLOSE

Keep your pantry items organised in this convenient, multi-level slide-out storage, providing a full display view of kitchen spices, food, and jars. Suitable for hinged cabinets.



PRODUCT ID	CABINET	W x Dx H	CAPACITY	LAYERS
205185	600mm	555x535x(1720-2020)mm	Max 8kgs per tray	5
205186	600mm	555x535x(2020-2320)mm	Max 8kgs per tray	6



Scan/Click
to view on website

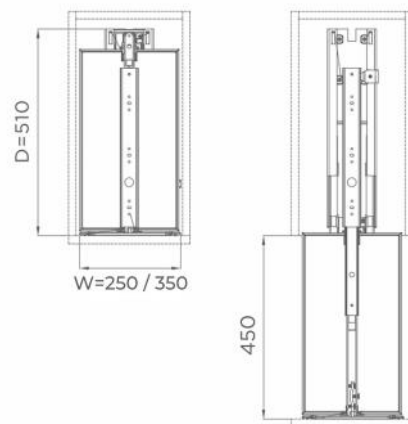


Patent Nos.
ZL201220684156.2
ZL201830253630.9
Z7201922047348.7



SHEARER **PRO** PULL OUT PANTRY UNIT WITH SOFT CLOSE

One of the latest in efficient kitchen storage solutions that puts all your pantry items in instant view and access in one gentle pull. Comes with the new Shearer rounded corner trays.



PRODUCT ID	CABINET	W x D x H	CAPACITY	LAYERS
201182R	300mm	250x510x(1659-2059)mm	Max 8kgs per tray	5
201183R	300mm	250x510x(1959-2359)mm	Max 8kgs per tray	6
201185R	400mm	350x510x(1659-2059)mm	Max 8kgs per tray	5
201186R	400mm	350x510x(1959-2359)mm	Max 8kgs per tray	6



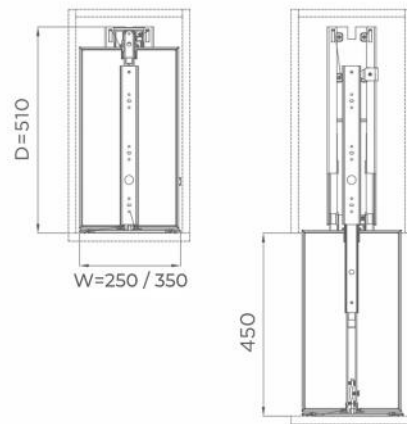
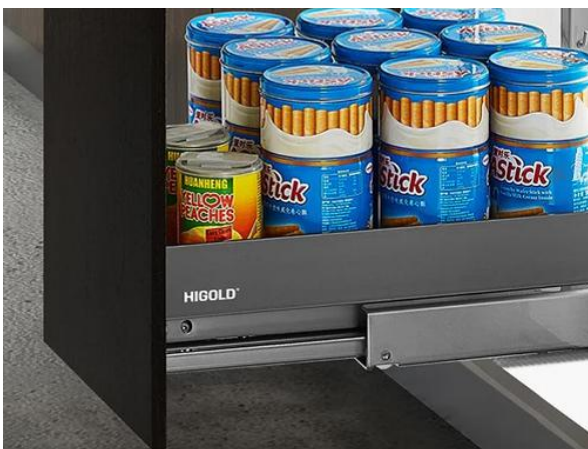
Scan/Click
to view on website





SHEARER PULL OUT PANTRY UNIT WITH SOFT CLOSE

Maximise your kitchen space and get uninterrupted view and access to your pantry items. With adjustable height and moveable trays.



PRODUCT ID	CABINET	W x D x H	CAPACITY	LAYERS
201182	300mm	250x510x(1659-2059)mm	Max 8kgs per tray	5
201183	300mm	250x510x(1959-2359)mm	Max 8kgs per tray	6
201185	400mm	350x510x(1659-2059)mm	Max 8kgs per tray	5
201186	400mm	350x510x(1959-2359)mm	Max 8kgs per tray	6



Scan/Click
to view on website

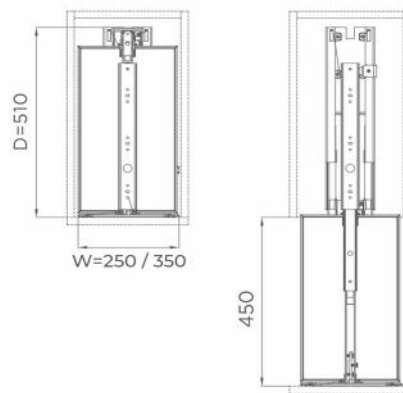


Patent Nos.
ZL201220684156.2
ZL201830253630.9
Z7201922047348.7



DIAMOND **PRO** PULL OUT PANTRY UNIT WITH SOFT CLOSE

Access to your kitchen items will never be a problem with this smooth sliding pantry unit. The matte grey railings are a classic choice and provide optimal visibility.



PRODUCT ID	CABINET	W x D x H	CAPACITY	LAYERS
201122R	300mm	250x510x(1659-2059)mm	Max 8kgs per tray	5
201123R	300mm	250x510x(1959-2359)mm	Max 8kgs per tray	6
201125R	400mm	350x510x(1659-2059)mm	Max 8kgs per tray	5
201126R	400mm	350x510x(1959-2359)mm	Max 8kgs per tray	6

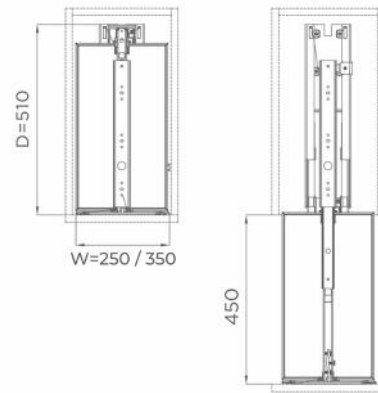


Scan/Click
to view on website



DIAMOND PULL OUT PANTRY UNIT WITH SOFT CLOSE

Enjoy a well-organised and clutter-free cabinet with this timeless, convenient, and innovative pull out pantry. Smooth, full-extension slides bring every pantry item at your fingertips.



PRODUCT ID	CABINET	W x D x H	CAPACITY	LAYERS
201122	300mm	250x510x(1659-2059)mm	Max 8kgs per tray	5
201123	300mm	250x510x(1959-2359)mm	Max 8kgs per tray	6
201125	400mm	350x510x(1659-2059)mm	Max 8kgs per tray	5
201126	400mm	350x510x(1959-2359)mm	Max 8kgs per tray	6



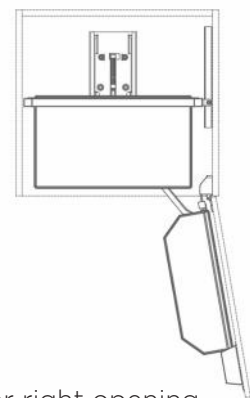
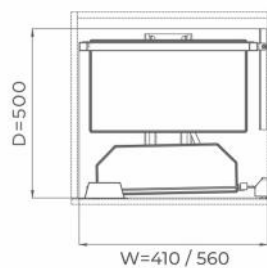


Patent Nos.
ZL201920460643.2
ZL202220774037.X



SHEARER **PRO** OPEN OUT TANDEM PANTRY UNIT WITH SOFT CLOSE

The open-out design is an intelligent function that draws two sets of trays—ensuring a tailored and efficient kitchen organisation system. Adopting rounded corner baskets for an improved look and safety.



Can be installed left or right opening

PRODUCT ID	CABINET	W x D x H	CAPACITY	LAYERS
202252R	450-500mm	410x500x1625mm	Max 5kgs per tray	5
202253R	450-500mm	410x500x1825mm	Max 5kgs per tray	6
202255R	600mm	560x500x1625mm	Max 5kgs per tray	5
202256R	600mm	560x500x1825mm	Max 5kgs per tray	6



Scan/Click
to view on website

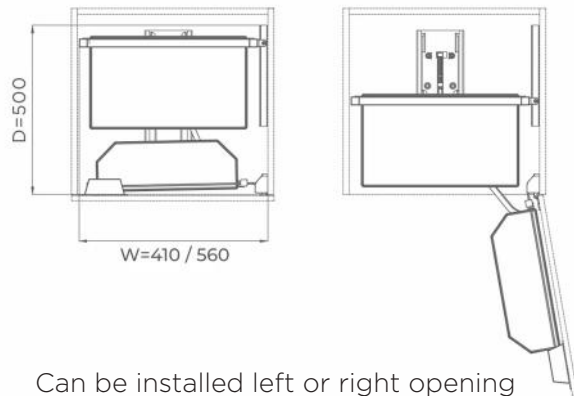


Patent Nos.
ZL201920460643.2
ZL202220774037.X



DIAMOND **PRO** OPEN OUT TANDEM PANTRY UNIT WITH SOFT CLOSE

Make full use of tall cabinets' vertical space and get easy access to a greater quantity of items stored in two sets of trays. With customisable shelving to fit unique storage needs.



PRODUCT ID	CABINET	W x D x H	CAPACITY	LAYERS
202262R	450-500mm	410x500x1625mm	Max 5kgs per tray	5
202263R	450-500mm	410x500x1825mm	Max 5kgs per tray	6
202265R	600mm	560x500x1625mm	Max 5kgs per tray	5
202266R	600mm	560x500x1825mm	Max 5kgs per tray	6



Scan/Click
to view on website

PULL OUT PANTRY UNIT

UNDERBENCH STORAGE

DRAWERS



OPEN OUT PANTRY UNIT



CORNER STORAGE

CORNER STORAGE

Utilise dark corners of your cupboard with these clever blind corner unit solutions

- Designed for hard-to-reach corner cabinets of standard 900mm widths
- Clearer view and convenient picking of stored kitchenware
- Adjustable tray levels
- High quality runners to take high loads
- Soft Stop Plus



SWING OUT

- Hinged cabinet door
- Two large tray levels
- Trays pull out by hand individually
- Soft plus soft close on return



MAGIC CORNER

- Cabinet door mounted to unit
- Four detachable storage trays in two adjustable levels
- Pull door handle to pull out first stage of unit, and slide second stage of unit across to easily access



SHOW HAND MAGIC CORNER II

- Hinged cabinet door
- Four detachable storage trays in two adjustable levels
- Open door and pull unit handle to pull out first stage of unit and slide to side, then pull out second stage of unit for full extended access

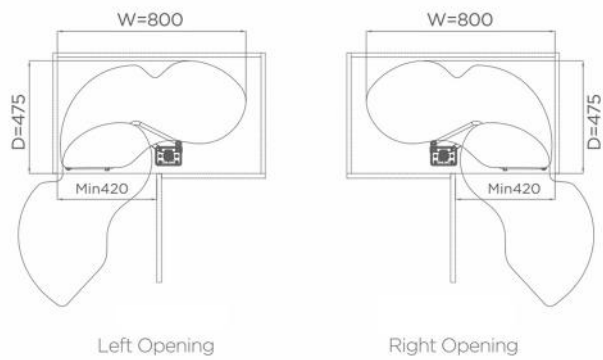
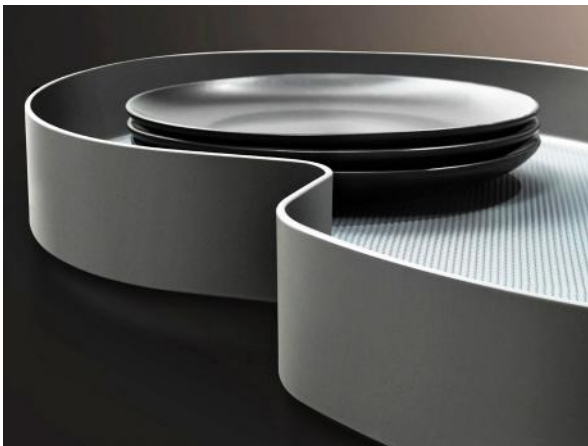


Patent Nos.
ZL202010424189.2
ZL202130385109.2



SHEARER AND SHEARER **PRO** SWING OUT KITCHEN CORNER STORAGE WITH SOFT CLOSE

One of Higold's innovations for kitchen corner storage. With a gentle pull-out, your stored contents and kitchenware swing out smoothly in full view, so nothing remains out of reach.



PRODUCT ID	CABINET	W x D x H	CAPACITY	OPENING	TRAY
101081	900mm	800x475x(600-750)mm	Max 15kgs per tray	Left	With anti-skid mats
101082	900mm	800x475x(600-750)mm	Max 15kgs per tray	Right	With anti-skid mats
101081R	900mm	800x475x(600-750)mm	Max 15kgs per tray	Left	Textured
101082R	900mm	800x475x(600-750)mm	Max 15kgs per tray	Right	Textured



Scan/Click
to view on website

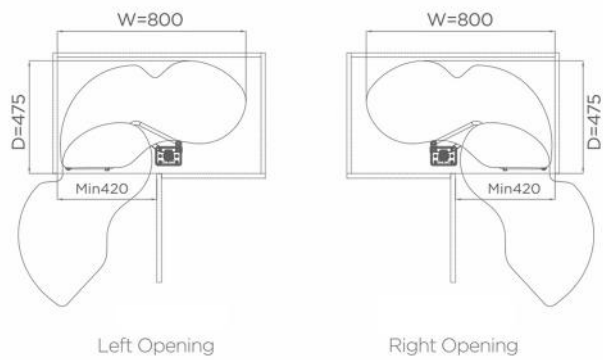


Patent Nos.
ZL202010424189.2
ZL202130385109.2



DIAMOND AND DIAMOND **PRO** SWING OUT KITCHEN CORNER STORAGE WITH SOFT CLOSE

Get easy access to pots and pans that are often tucked away in blind corners. The trays pivot and swing outward, and can move independently of the other.



PRODUCT ID	CABINET	W x D x H	CAPACITY	OPENING	TRAY
101071	900mm	800x475x(600-750)mm	Max 15kgs per tray	Left	With anti-skid mats
101072	900mm	800x475x(600-750)mm	Max 15kgs per tray	Right	With anti-skid mats
101071R	900mm	800x475x(600-750)mm	Max 15kgs per tray	Left	Textured
101072R	900mm	800x475x(600-750)mm	Max 15kgs per tray	Right	Textured



Scan/Click
to view on website

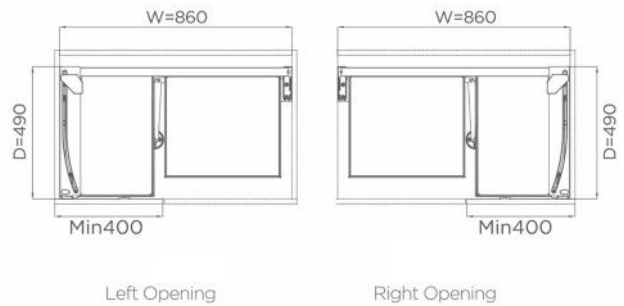


Patent Nos.
ZL202122637437.4
ZL202122637501.9



SHEARER AND SHEARER **PRO** MAGIC CORNER PULL OUT KITCHEN STORAGE WITH SOFT CLOSE

Tidy up your corner cabinets with a clever storage solution that can hold plates, bowls, spices, and small household appliances. Two front baskets come out into full view while the rear baskets are pulled into an accessible position.



PRODUCT ID	CABINET	W x D x H	CAPACITY	OPENING	TRAY
101055	900mm	860x490x535mm	Max 5kgs per tray	Left	With anti-skid mats
101056	900mm	860x490x535mm	Max 5kgs per tray	Right	With anti-skid mats
101055R	900mm	860x490x535mm	Max 5kgs per tray	Left	Textured
101056R	900mm	860x490x535mm	Max 5kgs per tray	Right	Textured



Scan/Click
to view on website

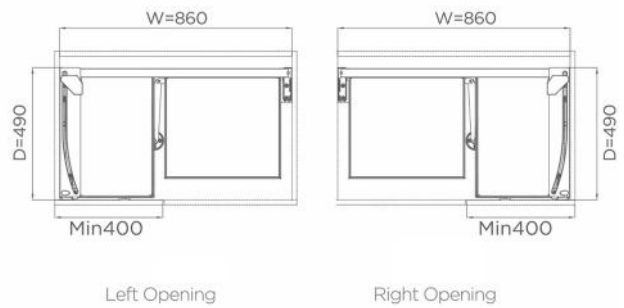


Patent Nos.
ZL202122637437.4
ZL202122637501.9



DIAMOND AND DIAMOND **PRO** MAGIC CORNER PULL OUT KITCHEN STORAGE WITH SOFT CLOSE

Optimise kitchen blind corner spaces that are often underutilised. Comes with two door-mounted baskets and two slide-mounted baskets that can be easily accessed as you open the cabinet door.



PRODUCT ID	CABINET	W x D x H	CAPACITY	OPENING	TRAY
101035	900mm	860x490x535mm	Max 5kgs per tray	Left	With anti-skid mats
101036	900mm	860x490x535mm	Max 5kgs per tray	Right	With anti-skid mats
101035R	900mm	860x490x535mm	Max 5kgs per tray	Left	Textured
101036R	900mm	860x490x535mm	Max 5kgs per tray	Right	Textured



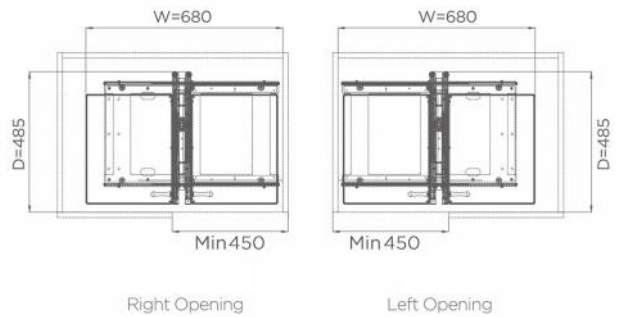
Scan/Click
to view on website





SHEARER AND SHEARER **PRO** SHOW HAND MAGIC CORNER II
PULL OUT KITCHEN STORAGE WITH SOFT CLOSE

The most functional blind corner storage solution that provides full view of contents stored on four baskets that pull out when the door is opened. Sleek addition to your modern kitchens and pantry areas.



Can be installed left or right opening

PRODUCT ID	CABINET	W x D x H	CAPACITY	OPENING	TRAY
101148	800/900mm	680x485x590mm	Max 5kgs per tray	Universal	With anti-skid mats
101148R	800/900mm	680x485x590mm	Max 5kgs per tray	Universal	Textured



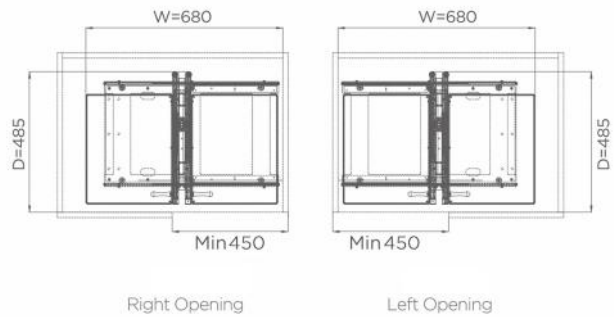
Scan/Click
to view on website





DIAMOND AND DIAMOND **PRO** SHOW HAND MAGIC CORNER II PULL OUT KITCHEN STORAGE WITH SOFT CLOSE

Easily one of the best options in corner cabinet solutions, bringing the interior of your kitchen corner all the way out. Shelf baskets can be installed at preferred height to accommodate different item sizes.



Can be installed left or right opening

PRODUCT ID	CABINET	W x D x H	CAPACITY	OPENING	TRAY
101125	800mm	680x485x590mm	Max 5kgs per tray	Universal	With anti-skid mats
101125R	800mm	680x485x590mm	Max 5kgs per tray	Universal	Textured

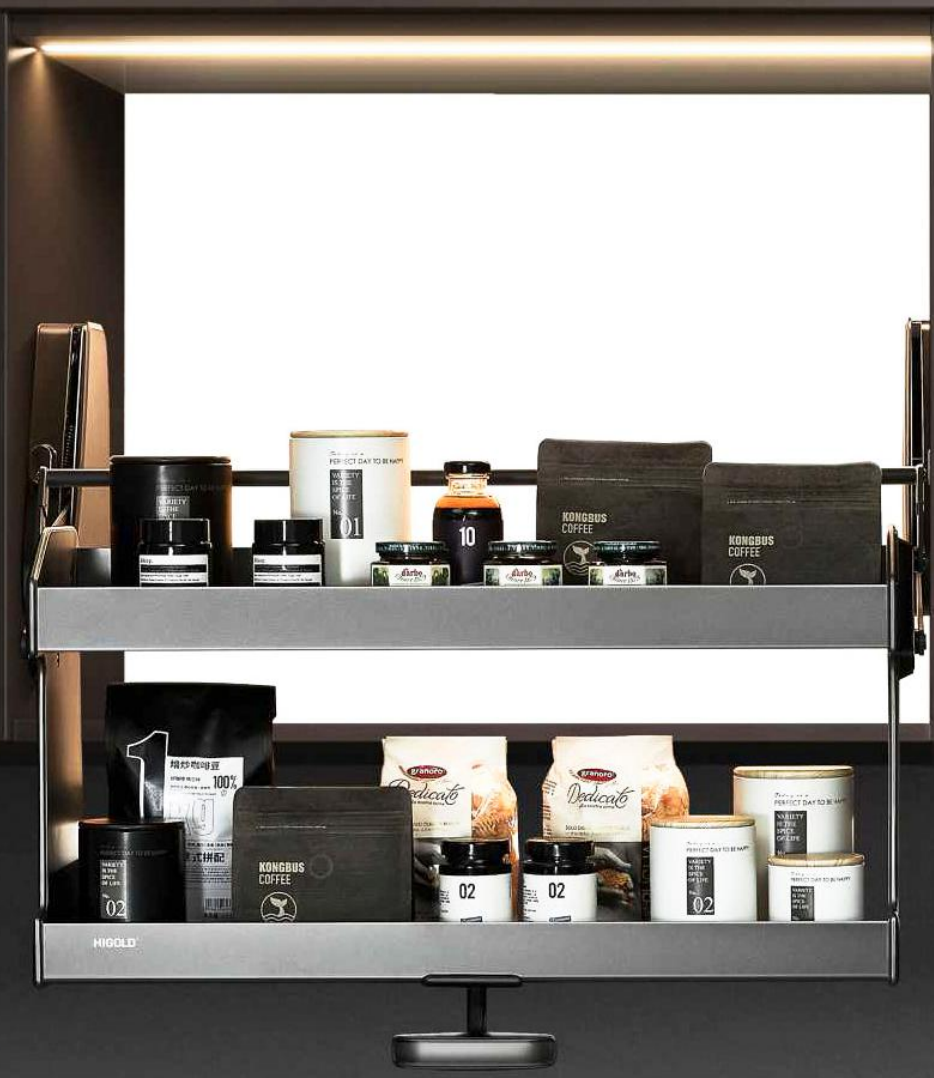


Scan/Click to view on website

OVERHEAD CABINET STORAGE

Make full use of your overhead cabinets with lift systems that pull the contents downwards and outwards

- Designed for wall cabinets with standard Australian widths
- Effortless one-hand operation with a gentle pull push
- Multi-tier storage that brings down all contents to your level
- Mechanism weight loading is adjustable to maintain slow movement at any weight
- Soft Stop Plus for a slow cushioned return to base



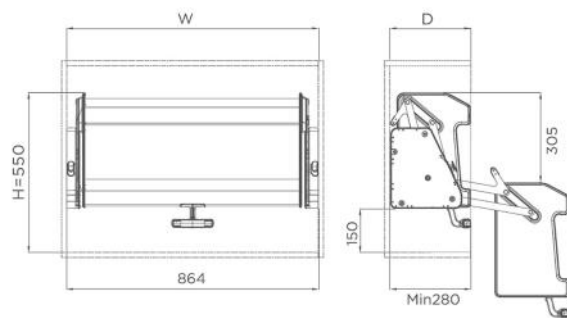


Patent Nos.
ZL202230189304.2



SHEARER NEBULA PULL DOWN OVERHEAD CABINET STORAGE

Utilise unreachable overhead cabinets and lower items down to your accessible space. With adjustable damping mechanism that ensures smooth push and pull movements under any storage load.



PRODUCT ID	CABINET	W x D x H	CAPACITY	MECHANISM
401281	600mm	564x280x550mm	Max 15kgs per tray	Soft Stop
401284	900mm	864x280x550mm	Max 15kgs per tray	Soft Stop



Scan/Click
to view on website

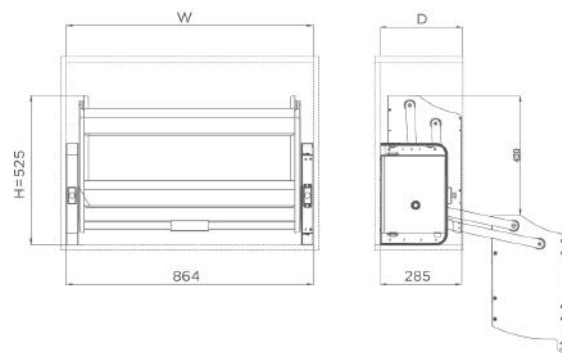


HIGOLD



SHEARER PULL DOWN OVERHEAD CABINET STORAGE

Make the most of hard-to-reach overhead cabinets with the 2-tier shelf system that pulls down stored pantry condiments. Stays down when lowered and can easily be returned to the cabinet with a gentle push.



PRODUCT ID	CABINET	W x D x H	CAPACITY	MECHANISM
401221	600mm	564x285x525mm	Max 15kgs per tray	Soft Stop
401224	900mm	864x285x525mm	Max 15kgs per tray	Soft Stop



Scan/Click
to view on website

UNDERBENCH CABINET STORAGE

Neatly store a variety of spices, oils, utensils, knives, and everyday kitchen contents.

- Designed for undercounter cabinets with Australian widths
- Full tray extension for complete access to your cutlery, pots, and pans
- Innovative five-partition structure and detachable parts maximise shelf capacity
- Non-slip, textured base ensures storage stability
- Soft Stop Plus for a slow cushioned return to base

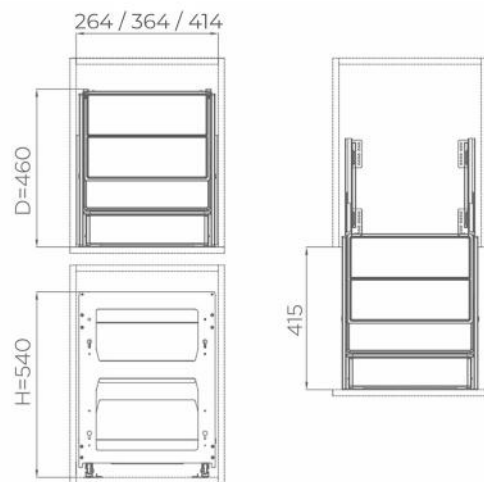


Patent Nos.
ZL202130850255.8
ZL202030057021.3
ZL2020963650.7
ZL202122547978.8
ZL202130857647.7
ZL202130163682.9
ZL202130850264.7
ZL202030057005.4
ZL202020957731.6
ZL202122547978.8



SHEARER LUXE PULL OUT KITCHEN CUPBOARD ORGANISER

Simply the most fashionable and reliable storage for all kinds of condiments and pantry essentials. The sleek grey finish of Shearer is complemented with rose gold highlights on the tray, and a non-slip surface that provides complete stability for items.



PRODUCT ID	CABINET	W x D x H	CAPACITY	MECHANISM
306271	300mm	264x460x540mm	Max 30kgs	Soft Close
306273	400mm	364x460x540mm	Max 30kgs	Soft Close
306274	450mm	414x460x540mm	Max 30kgs	Soft Close



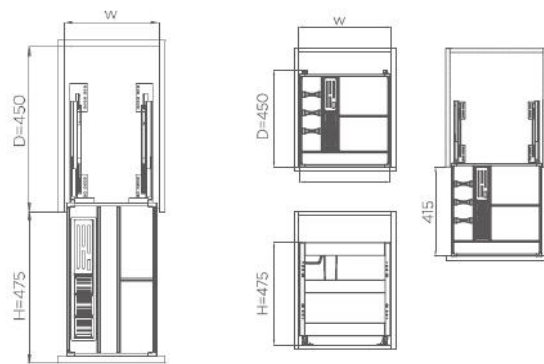
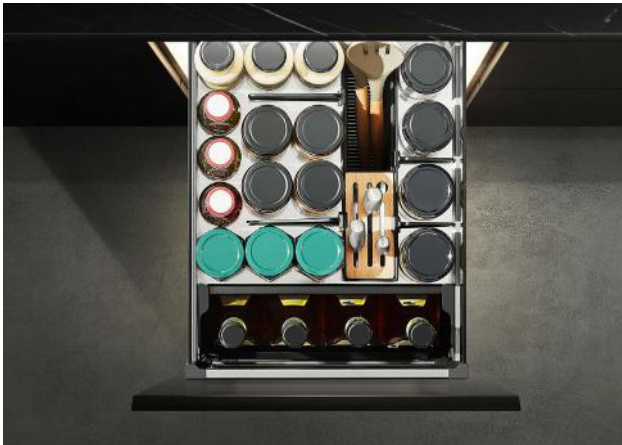
Scan/Click
to view on website





SHEARER CRYSTAL PULL OUT KITCHEN CUPBOARD ORGANISER

Every cutlery and cooking item will have its own dedicated area in this unit's multiple storage zones. Features the popular Shearer styling, now with crystal-clear glass side panels, enhancing visibility and aesthetic appeal overall.



PRODUCT ID	CABINET	W x D x H	CAPACITY	MECHANISM
306291	300mm	264x450x475mm	Max 30kgs	Soft Close
306293	400mm	364x450x475mm	Max 30kgs	Soft Close
306294	450mm	414x450x475mm	Max 30kgs	Soft Close



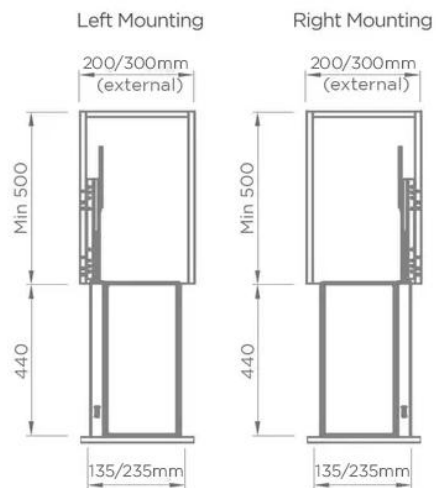
Scan/Click
to view on website





SHEARER PULL OUT KITCHEN CUPBOARD ORGANISERS - LEFT OR RIGHT SIDE MOUNT

Two-tier underbench storage designed for a side mount installation where you can store cooking essentials, canned goods, and a lot more.



PRODUCT ID	CABINET	W x D x H	CAPACITY	MECHANISM
304307L	200mm	135x460x580mm	Max 5kgs per tray	Soft Close
304307R	200mm	135x460x580mm	Max 5kgs per tray	Soft Close
304308L	300mm	235x460x580mm	Max 5kgs per tray	Soft Close
304308R	300mm	235x460x580mm	Max 5kgs per tray	Soft Close



Scan/Click to view on website

KITCHEN DRAWERS

Where every kind of tableware has its dedicated storage

- Designed for base cabinets with standard Australian widths
- Bottom drain tray with reservoir prevents moisture build-up
- Easy installation on side walls and pull-out doors
- High quality runners to take high loads
- Soft Stop Plus for a slow cushioned return to base



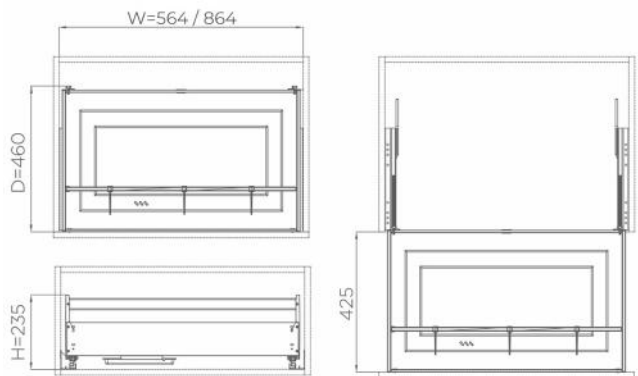


HIGOLD



SHEARER LUXE PULL OUT KITCHEN DRAWER - DEEP BASKET WITH DRAIN TRAY

The deep profile and adjustable dividers make this drawer perfect for large pots and pans. Shearer's grey finish is paired with a rose gold accent on the base, adding sophistication to the entire kitchen drawer.



PRODUCT ID	CABINET	W x D x H	CAPACITY	MECHANISM
303595	600mm	564x460x235mm	Max 30kgs	Soft Close
303591	900mm	864x460x235mm	Max 30kgs	Soft Close



Scan/Click
to view on website



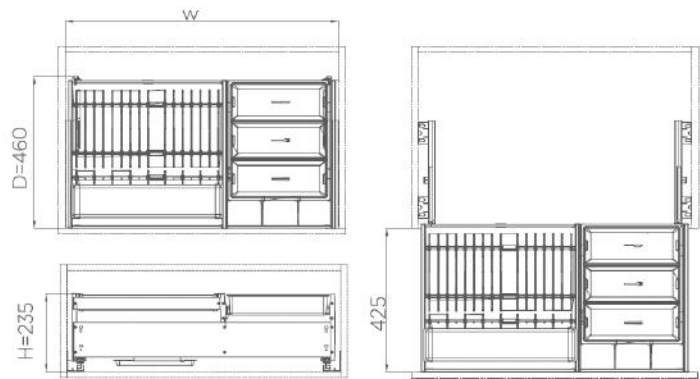
HUGO BOSS

HUGO BOSS



SHEARER LUXE MULTIPURPOSE PULL OUT KITCHEN DRAWER
WITH PLATE DIVIDERS AND DRAIN TRAY

This multipurpose drawer has an impressive capacity, flexible configuration, and luxurious finish. Access all your dishes, plates, and utensils, and keep them aesthetically organised. The minimalist grey finish of Shearer is matched with a rose gold accent on the base.



PRODUCT ID	CABINET	W x D x H	CAPACITY	MECHANISM
303585	600mm	564x460x235mm	Max 30kgs	Soft Close
303581	900mm	864x460x235mm	Max 30kgs	Soft Close



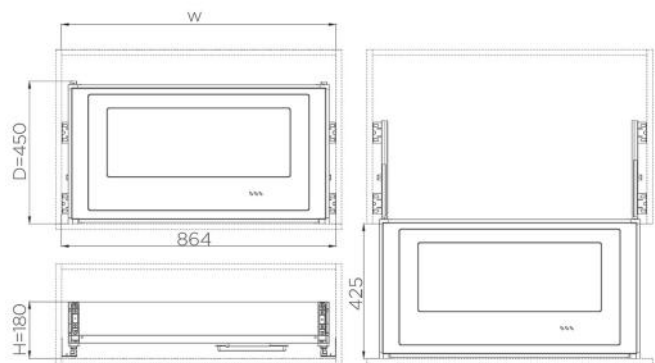
Scan/Click
to view on website





SHEARER CRYSTAL PULL OUT KITCHEN DRAWER - WITH DRAIN TRAY

The deep profile and adjustable dividers make this drawer perfect for large pots and pans. Shearer's grey finish is paired with a rose gold accent on the base, adding sophistication to the entire kitchen drawer.



PRODUCT ID	CABINET	W x D x H	CAPACITY	MECHANISM
303565	600mm	564x450x180mm	Max 30kgs	Soft Close
303561	900mm	864x450x180mm	Max 30kgs	Soft Close



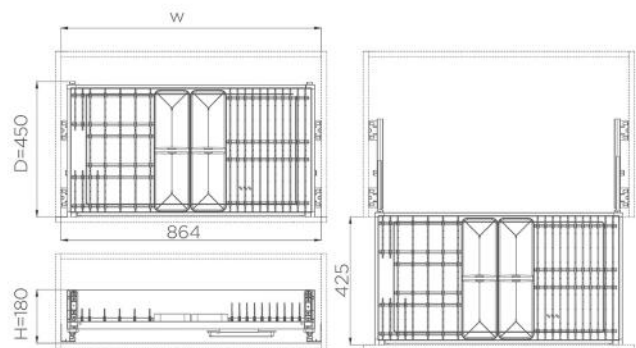
Scan/Click
to view on website





SHEARER CRYSTAL MULTIPURPOSE PULL OUT KITCHEN DRAWER WITH PLATE DIVIDERS AND DRAIN TRAY

Store various plates, bowls, and utensils, and have them readily available at one simple pull. The Shearer Crystal collection is a luxurious kitchen upgrade with its crystal glass baskets for improved visibility. Comes with adjustable partitions and joinable parts.



PRODUCT ID	CABINET	W x D x H	CAPACITY	MECHANISM
303555	600mm	564x460x180mm	Max 30kgs	Soft Close
303551	900mm	864x460x180mm	Max 30kgs	Soft Close



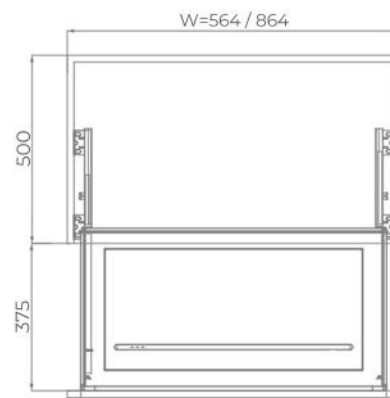
Scan/Click
to view on website





SHEARER PULL OUT KICTHEN DRAWER WITH DRAIN TRAY

Made of strong aluminium and pulls out all the way for a good overview of stored items. Finished in minimalist grey colour of the Shearer collection, this sturdy kitchen drawer glides open effortlessly, even when fully loaded.



PRODUCT ID	CABINET	W x D x H	CAPACITY	MECHANISM
303365	600mm	564x440x165mm	Max 30kgs	Soft Close
303361	900mm	864x440x165mm	Max 30kgs	Soft Close



Scan/Click
to view on website

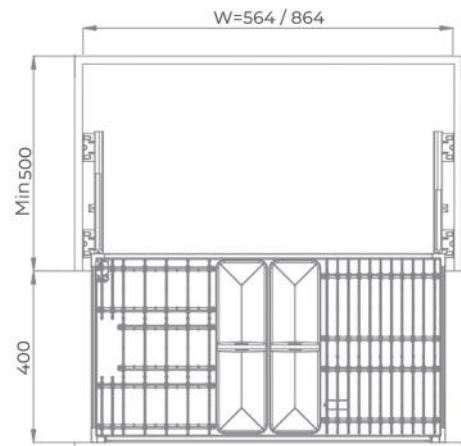


HIGOLD



SHEARER MULTIPURPOSE PULL OUT KITCHEN DRAWER
WITH PLATE DIVIDERS AND DRAIN TRAY

Enjoy massive capacity and the convenience of flexible block partitions and joinable parts that can meet different storage needs. Ideal for saucepans, plates, and food jars to make them easily accessible at once.



PRODUCT ID	CABINET	W x D x H	CAPACITY	MECHANISM
303355	600mm	564x440x180mm	Max 30kgs	Soft Close
303351	900mm	864x440x180mm	Max 30kgs	Soft Close



Scan/Click
to view on website

KITCHEN BINS

Conceal your waste behind kitchen cupboard doors

- Designed for undercounter cabinets with standard Australian widths
- High-impact plastic construction can withstand frequent push and pull
- Integrated to the door—just open the cupboard and the bins slide forward at the same time
- Single, twin, triple bin configurations
- Soft Stop Plus for a slow cushioned return to base

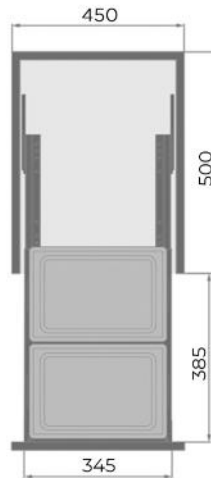






SIMPLEX TWIN SLIDE OUT CONCEALED WASTE BIN - BOTTOM MOUNTED
 - INCLUDES INTEGRATED DOOR BRACKET

Separate general wastes from recyclables with this easy-to-install twin kitchen bin that mounts to the base of your cabinet—no difficult side-mounted sliders. It comes with an integrated handle that makes it a breeze to empty out and clean.



PRODUCT ID	CABINET	W x D x H	CAPACITY	NO. OF BINS
307012	450mm	345x475x440mm	Max 20kgs	2X17L



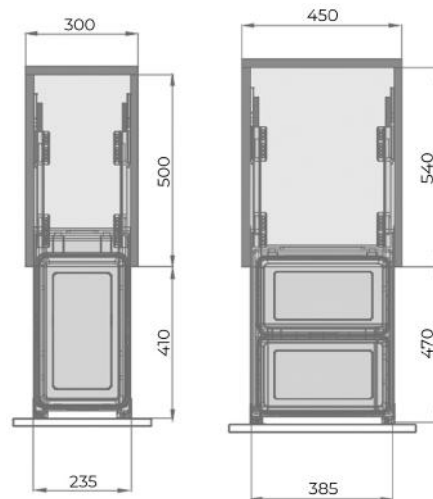
Scan/Click
to view on website





SIMPLEX SINGLE/TWIN SLIDE OUT CONCEALED WASTE BIN
 - BOTTOM MOUNTED - INCLUDES INTEGRATED DOOR BRACKET

Easily mount this bin to the base of your cabinet and attach to the door for a simple pull out. With integrated handle that makes it a breeze to empty out and clean.



PRODUCT ID	CABINET	W x D x H	CAPACITY	NO. OF BINS
307027	300mm	235x465x500mm	Max 20kgs	1X28L
307026	450mm	385x520x500mm	Max 20kgs	2X28L



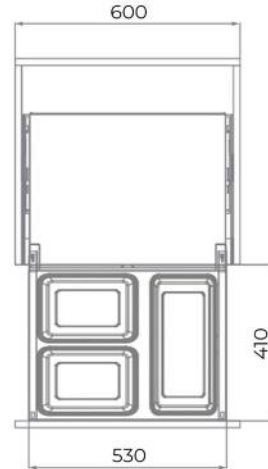
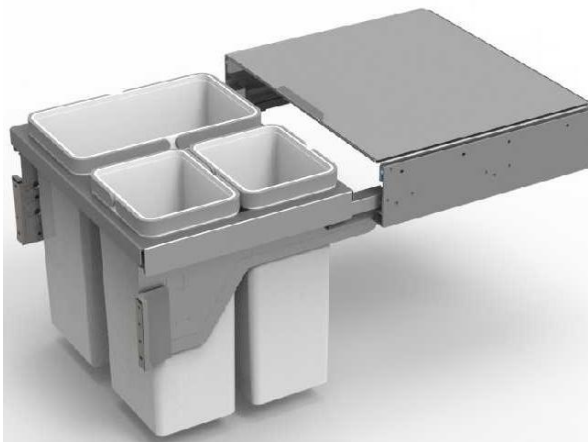
Scan/Click
to view on website





OPTUM TRIPLE SLIDE OUT CONCEALED WASTE BIN
 - SIDE MOUNTED - INCLUDES INTEGRATED DOOR BRACKET

A modern waste management solution, this is the largest bin from Higold with triple compartments to separate garbage, recyclables, and organics. Attach to the cabinet door for a fully integrated hideaway bin system.



PRODUCT ID	CABINET	W x D x H	CAPACITY	NO. OF BINS
306082	600mm	564x490x470mm	Max 30kgs	1X28L + 2X14L



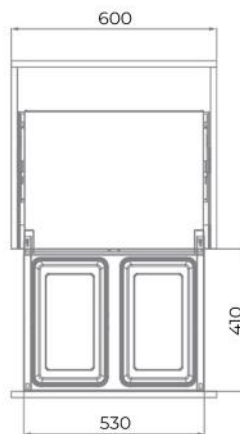
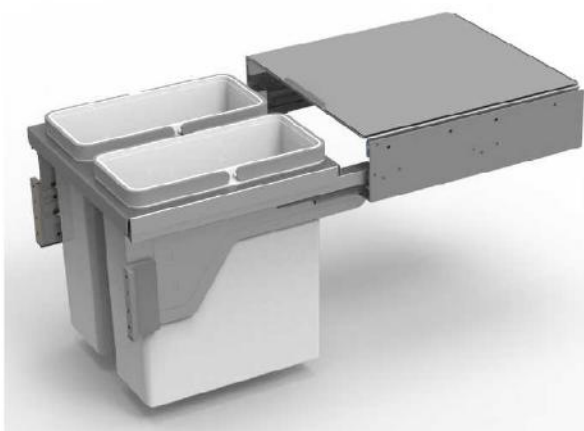
Scan/Click
to view on website





OPTUM TWIN SLIDE OUT CONCEALED WASTE BIN
 - SIDE MOUNTED - INCLUDES INTEGRATED DOOR BRACKET

A space-efficient waste solution to achieve a clean and clutter-free kitchen, this bin is ideal for sorting rubbish and recyclables. Attach to the cabinet door for a fully integrated hideaway bin system.



PRODUCT ID	CABINET	W x D x H	CAPACITY	NO. OF BINS
306081	600mm	564x490x470mm	Max 30kgs	2x28L



Scan/Click
to view on website

HIGOLD[®]

A U S T R A L I A

MELBOURNE SHOWROOM

+61 (03) 8682 8585

service@higoldhardware.com.au

49-51 Mills Road, Braeside, VIC 3195

www.HigoldHardware.com.au

