

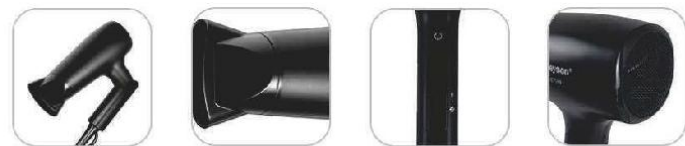
FOLDABLE HAIR DRYER



F13

Hotel hair dryer with safety switch

- Power supply: 220V-240V 50Hz-60Hz 1800W-2100W
- Full function hair dryer for high-end hotel
- Branded motor, stable quality and lower noise;
- Safety switch, special design for hotel use
- Three temperature including cold setting
- Slim styling nozzle for precise styling
- Foldable handle, space-saving, easy to store
- With loop for hang-up option
- Durable matt finish.



- Foldable
- Slim nozzle
- Safety button
- Back design

Model	Specifications	Color
F13	180x75x210mm	Black



F7W

Hotel hair dryer with silver decoration

- Power supply: 220V-240V 50Hz-60Hz 1600W-1800W
- Safety switch for hotel use
- Three temperature + two gears of wind speed
- Foldable handle, space-saving, easy to store
- With loop for hang-up option
- Lustrous silver and black finish in high quality



- silver line decoration
- Front design
- Safety button
- 3 temperature + 2 gears of wind speed

Model	Specifications	Color
F7W	155x85x200mm	Black



F5

Foldable hair dryer

- Power supply: 220V-240V 50Hz-60Hz 1200W
- ON / OFF button
- Three temperatures including cold setting
- Foldable handle, space-saving, easy to store
- With loop for hang-up option
- Lustrous black finish in high quality



- Foldable
- Front design
- On/off button
- Hang-up loop

Model	Foldable Specifications	Color
F5	130x74x200mm	Black



F12

Foldable hair dryer

- Power supply: 220V-240V 50Hz-60Hz 1200W
- ON / OFF button
- Two temperature/heat settings
- Foldable handle, space-saving, easy to store
- With loop for hang-up option
- Lustrous black finish in high quality



- Foldable
- two temperature
- Hang-up loop

Model	Foldable Specifications	Color
F12	130x65x155mm	Black



F18

High speed hair dryer

- Power supply: 220V-240V 50Hz-60Hz 1600W-1800W
- High-speed brushless motor, stable quality and lower noise;
- Durable matt finish
- Over heat protection
- CE / CB /GCC/Rohs approved
- 200 million negative ions makes the hair more soft and supplemagnetic nozzle
- Removable rear cover for easy cleaning
- Professional quality will make the guests feel like they are in a hair salon
- One cold wind button, 3 gears of wind speed; 3 temperatures
- Special function: color changing according to the 3 temperatures: cold in blue color, medium temperature in orange color; high temperature in red color



▪ Front design ▪ On/off button ▪ Three-speed control ▪ Rear removable

Model	Specifications	Color
F18	130x75x210mm	Silver



The motor of F18 is brush-less machine which is self-developed by Honeyson, the highest rotate rate can reach 110000 Rpm. Through the test of the honeyson's research office, in terms of female, the average of the blow dry hair time is about 1-5 minutes. F18 also have 720-degree air intake design. It can makes F18 with strong wind power, and the highest wind speed can achieve 20m/s, different from traditional hair dryer, it has the recycle cold & hot temperature automatically changing function to avoid hot-hurt during drying.



F6

Hair dryer for high-end hotel

- Power supply: 220V-240V 50Hz-60Hz 1400W-1600W
- safty button, special function for hotel use
- Three temperatures including cold setting
- Foldable handle, space-saving, easy to store
- With loop for hang-up option
- Shining black finish in high quality



▪ Foldable ▪ Safety button ▪ 1 cool wind + 2 hot wind ▪ Hang-up loop

Model	Specifications	Color
F6	155x77x200mm	Black



F9

Full function hair dryer for high-end hotel

- Power supply:220V-240V 50Hz-60Hz 1800W
- Safety switch or On/off button for option
- Three temperature including cold setting
- Foldable handle
- Straight power cord
- With chrome finished rear cover
- Automatic power off when over heating
- Shining black finish in high quality



▪ Foldable ▪ Safety button ▪ 1 cool wind + 2 hot wind ▪ Hang-up loop

Model	Specifications	Color
F9	180x80x205mm	Black



F17B/F17W

Hotel hair dryer in popular Hammer style

- Power supply: 220V-240V 50Hz-60Hz 1600W-1800W
- Branded motor, stable quality and lower noise;
- Safety button, special design for hotel use
- Two speed hot wind+ cool wind
- Front and rear in flower-shape design;
- Durable matt finish
- Over heat protection

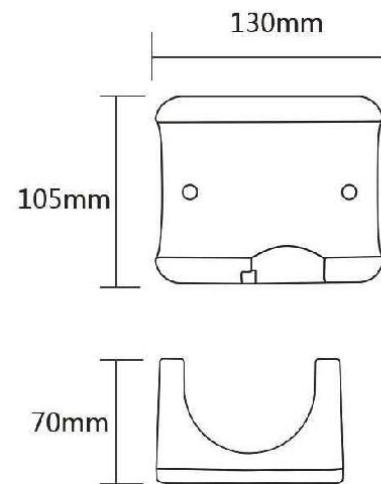


• Front design • Slim nozzle • Safety switch • Back design

Model	Specifications	Color
F17B / F17W	130x75x200mm	Black / White



- Material:ABS
- Size:130x105x70mm



Model	Specifications	Color
Base	130x105x70mm	Black / White



F2

Hotel hair dryer with spiral cord

- Power supply: 220V-240V 50Hz-60Hz 1800-2100W with overheating protection
- Branded motor, stable quality and lower noise
- Safety switch to make it safer for hotel use
- strong spiral cord with hang-up loop
- foldable handle, space-saving, easy to store
- Ionic function makes the hair more soft
- three temperature settings + two speed settings
- removable nozzle and air filter for easy cleaning
- Shining finish in high quality



• Foldable • Net removable • Ionic button • Coil

Model	Specifications	Color
F2	215x92x265mm	Black



F8

Professional hair dryer

- Power supply: 220V-240V 50Hz-60Hz 1800W
- Three temperature including cold setting
- Air speed: 16m/s
- UV resistant ABS
- Safety switch
- Over-heating protection
- Double motor design, high wind speed, high power.



• Slim nozzle • Safety button • 1 cool wind + 2 hot wind • Rear removable

Model	Specifications	Color
F8	235x83x200mm	Black



F11

Professional hair dryer

- Power supply: 220V-240V 50Hz-60Hz 1800W-2200W
- 2 gears of wind speed + 3 temperature settings
- Long life AC motor
- Over heating protection
- Hang up hook
- with removable filter
- Safety switch



- Slim nozzle
- Safety button
- Three speed hot wind for option
- Hook

Model	Specifications	Color
F11	275x77x270mm	Black



F19

Professional hair dryer

- Power supply: 220V-249V 50Hz-60Hz 1600W
- 2 gears of wind speed + 3 temperature settings
- Air speed: 16m/s
- Stainless steel material, high-end luxury
- Safety switch
- Over-heating protection
- Long life AC motor



- Front design
- Safety button
- Three speed hot wind for option
- Hook

Model	Specifications	Color
F19	210x82x230mm	Black

D01B-1

Wall-mounted hair dryer

- 2 speed hot wind
- Safety switch
- Over heating protection
- Power supply: 220V-240V 50Hz-60Hz 1300W



- Front design
- Safety button
- 2 speed hot wind
- Shaver socket for option

Model	Specifications	Color
D01B-1	180x100x170mm(Base) 125x70x180mm(Dryer body)	White



D01A (WITH SHAVER SOCKET 110V & 220V)
D01A-1 (WITH SHAVER SOCKET 220V)



D02B-1

Wall-mounted hair dryer

- 2 speed hot wind
- Safety switch
- Over heating protection
- Power supply: 220V-240V 50Hz-60Hz 1300W



- Front design
- Safety button
- 2 speed hot wind
- On/off button

Model	Specifications	Color
D02B-1	90x120x120mm(Base) 125x70x180mm(Dryer body)	White



D08

Wall-mounted hair dryer

- Power supply: 220V-240V 50Hz-60Hz 1600W
- 2 speeds hot wind
- air speed: 14m/s
- Safety switch
- Over-heating protection



- Front design
- 2 speed hot wind
- Back design

Model	Specifications	Color
D-08	112x145x120mm(Base) 150x75x200mm(Dryer body)	Black/White



D07-1/D07-2

Wall-mounted hair dryer

- Safety switch
- Over heating protection
- Power supply: 220V-240V 50Hz-60Hz 1600W
- Two speed hot wind + cool wind for option



- 2 speed hot wind
- Safety button
- Narrow nozzle

Model	Specifications	Color
D07-1/D07-2	110x140x190mm(Base) 155x77x200mm(Dryer body)	White/Black



D07-1 (WITH SHAVER SOCKET 110V & 220V)
D07 (WITH SHAVER SOCKET 220V)

D07-2 (WITHOUT SHAVER SOCKET 110V & 220V)

D11

Wall-mounted hair dryer

- Power supply: 220V-240V 50Hz-60Hz 2000W
- 2 speeds + 3 temperatures
- air speed: 16m/s
- Shaving socket power supply: 110V& 220V
- Safety switch
- Over-heating protection



- Front design
- Safety button
- 2 speed hot wind
- Shaver socket

Model	Specifications	Color
D11	134x65x130mm(Base) 160x75x190mm(Dryer body)	Black/White



D10

Wall-mounted hair dryer

- Power supply: 220V-240V 50Hz-60Hz 1600W
- 2 air speeds + 3 temperatures settings
- Air speed: 16m/s
- stainless steel material, high-end luxury
- Safety switch
- Over-heating protection
- Long life AC motor



- Front design
- On/off button
- Three speed hot wind for option
- Black design

Model	Specifications	Color
D10	112x145x120mm(Base) 210x82x230mm(Dryer body)	Black

