



Attributes

Product Code
Net weight
Max. weight load
Dimensions (w x l x h)
Color options

2-1-102
29 kg
150 kg
462x1054x473 mm



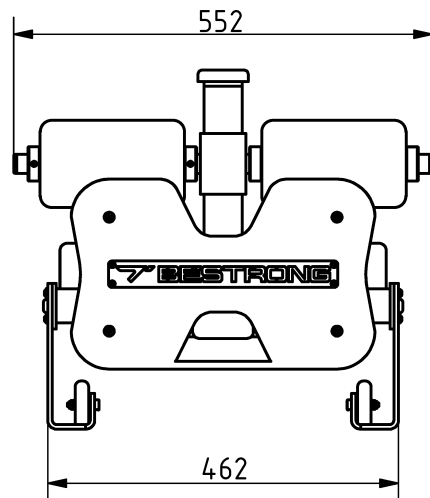
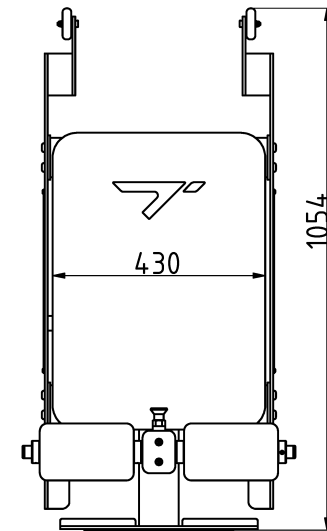
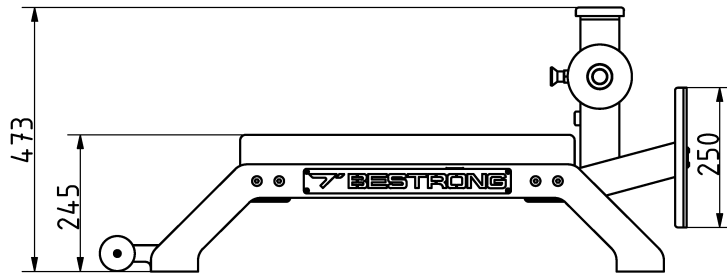
For more color options, discuss with your sales representative.

Warranty

Structure
Steel
Paint
Plastic
Rubber
Moving parts

Detailed information in the warranty document

25-15 years
5-10 years
2 years
5-10 years
1-3 years
2 years



BESTRONG

 [bestrongworld](#)  [bestrongworld](#)  [global.bestrong.com](#)  info@bestrong.com

