

# ARMSTRONG® TECHZONE®

COMPATIBLE PRODUCTS



**price®**



## **SDS** Linear Slot Diffuser

Page 4

The SDS linear slot diffuser is designed to satisfy architectural applications that require continuous lengths without compromising air distribution performance.



## **CF** Custom Flow Architectural Slot Diffuser

Page 6

Custom Flow linear diffusers are specifically designed for the most demanding architectural and performance applications. As a premium linear slot diffuser, Custom Flow is manufactured using extruded aluminum ensuring a crisp, clean appearance.



## **ACBL 12** Active Chilled Beam Linear

Page 12

The Linear Active Chilled Beam (ACBL) is Price Industries' most versatile beam. The ACBL is designed to provide a high cooling and heating output by conditioning the room air induced through the beams hydronic coil.



## **ACBR** Active Chilled Beam Recessed

Page 14

The Recessed Active Chilled Beam (ACBR) is designed for use with Armstrong® Techzone® ceiling systems in conjunction with Price SDS Linear Slot Diffusers and AS/JS Custom Flow Architectural Slot Diffusers.



## SDS

### LINEAR SLOT DIFFUSER

The SDS linear slot diffuser is designed to satisfy architectural applications that require continuous lengths without compromising air distribution performance. These linear slot diffusers feature fully adjustable, aerodynamic pattern controllers fabricated from extruded aluminum and provide the ideal combination of engineering excellence and architectural appeal.

### DESIGN FLEXIBILITY

Ideal for highly architectural applications, the SDS features a one-piece extruded aluminum frame and is available with countless design options to provide ultimate flexibility. Options include flexibility, including:

- + Available for discrete or continuous applications. Continuous installations are supplied with alignment strips for high quality architectural installations.
- + Flexible position for supply plenums allowing active and return sections along the same diffuser.
- + Multiple finish options, including anodized finishes.

### LINEAR SLOT PLENUM

For simplified field assembly and reduced on-site fabrication, two plenum styles, sloped shoulder and square shoulder, are available for integration with the SDS linear slot diffuser. To ensure on-site performance matches published performance data, factory built plenums are essential.

*SDS with 15/16 in. flat tee frame*

*SDS with 9/16 in. tegular frame*

## TYPICAL APPLICATIONS

Aerodynamically designed blades provide a tight horizontal pattern that maintains stability even at low airflow rates, making the SDS ideal for VAV applications. The SDS is designed to suit Armstrong® Techzone® ceiling systems and is available in 4 in. and 6 in. module widths and three frame styles.

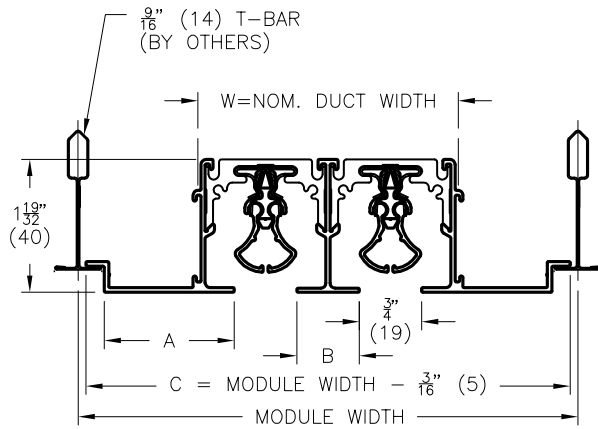
### CONSTRUCTION OPTIONS

- + Models
  - Supply (SDS)
  - Return (SDR)
- + Width
  - 4 in.
  - 6 in.
- + Slot Quantity
  - 1 to 4
- + Techzone® Mounting
  - 9/16 in. tegular
  - 15/16 in. tegular
  - Flat tee
- + Accessories
  - Blank-off strips
  - Sloped shoulder plenum (SDA)
  - Square plenum (SDB)

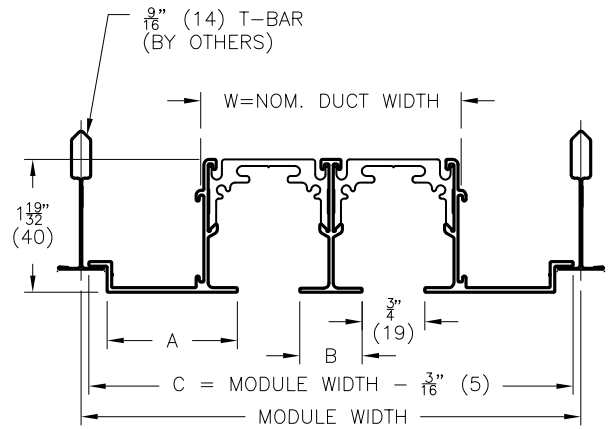
## DIMENSIONAL DATA

### SDS Linear Slot Diffuser Techzone® Ceiling Lay-in Application

#### Type 18

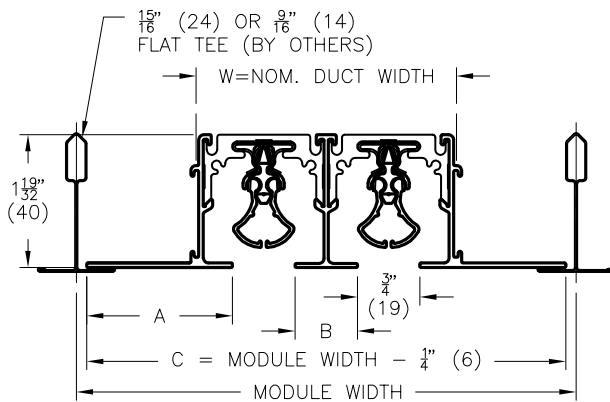


SDS75

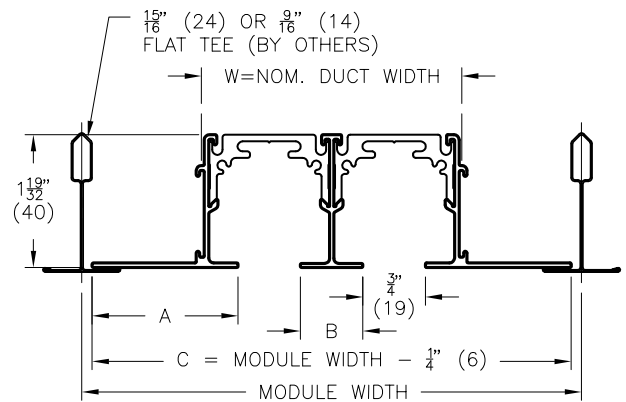


SDR75

#### Type 19

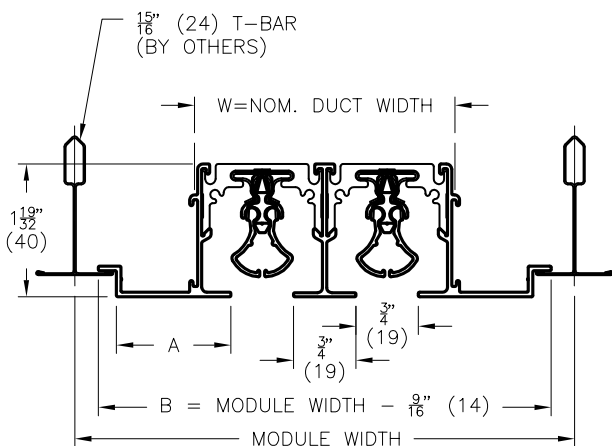


SDS75

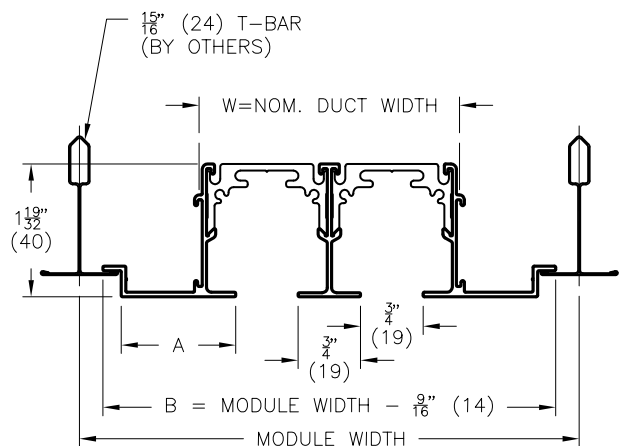


SDR75

#### Type 20



SDS75



SDR75

## CF CUSTOM FLOW ARCHITECTURAL SLOT DIFFUSER

Custom Flow (CF) slot diffusers are uniquely designed for long, continuous installations. The CF offers a large range of airflow flexibility with one or two slot arrangements, various slot widths, and vertical or horizontal pattern adjustment.

### DESIGN FLEXIBILITY

Custom Flow diffusers feature extruded aluminum construction and are ideal for highly architectural applications. The Custom Flow is available with countless design options to provide ultimate flexibility, including:

- + Adjusta Slot (horizontal air pattern) and Jet Slot (vertical air pattern) pattern controller configurations.
- + Flexible position for supply plenums, allowing active and return sections along the same diffuser.
- + Multiple finish options, including anodized and wood-grain.

### CUSTOM FLOW PLENUMS

Price offers factory built and tested plenum assemblies in various sizes and configurations. To ensure on-site performance matches published performance data, factory built plenums are essential.

*CF with 2 slots  
and AS pattern  
controllers*

*CF with 1 slot  
and JS pattern  
controllers*

## TYPICAL APPLICATIONS

Custom Flow linear diffusers are specifically designed for the most demanding architectural and performance applications. As a premium linear slot diffuser, Custom Flow is manufactured using extruded aluminum ensuring a crisp, clean appearance. Custom Flow is ideal for use with Armstrong® Techzone® ceiling systems and for long, continuous runs, especially for perimeter heating and cooling.

### CONSTRUCTION OPTIONS

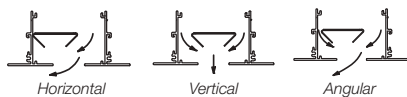
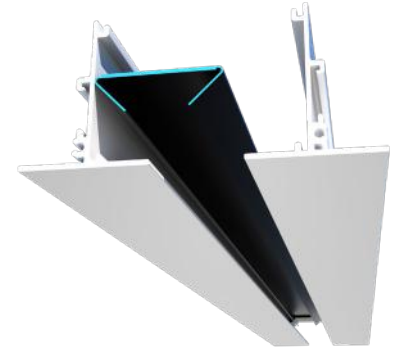
- + Pattern Controller Style
  - Adjusta Slot (AS)
  - Jet Slot (JS)
- + Width
  - 4 in. (1 slot)
  - 6 in. (2 slot)
- + Slot Width
  - 1 in.
- + Techzone® Mounting
  - 9/16 in. tegular
- + Accessories
  - Blank-off strips
  - Return air sight baffle
  - Custom flow plenum

## PATTERN CONTROLLER STYLE

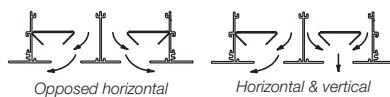
Custom Flow diffusers offer superior performance and function, featuring dual layered pattern controllers for full airflow adjustment, dampering and blank-off capabilities. The pattern controllers are provided in section lengths up to 24 in.; this feature provides multiple pattern and airflow possibilities along the length of a continuous diffuser. Pattern controller styles may be selected for optimal horizontal (Adjusta Slot) or vertical (Jet Slot) airflow performance.

### ADJUSTA-SLOT (AS)

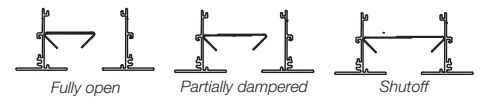
- + Adjusta-slot pattern controllers are designed for ceiling installations and produce a strong, horizontal air pattern over a wide range of airflows.
- + Adjusta-slot units are particularly well suited for open office perimeter zones, main floor entrance foyers and lobbies, elevator lobbies, conference rooms, mall atriums and theatres. Continuous installations are typically located at the perimeter of a zone in which a large air volume must be introduced.



One slot air pattern adjustment



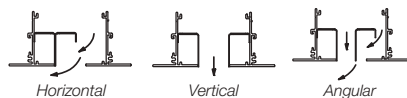
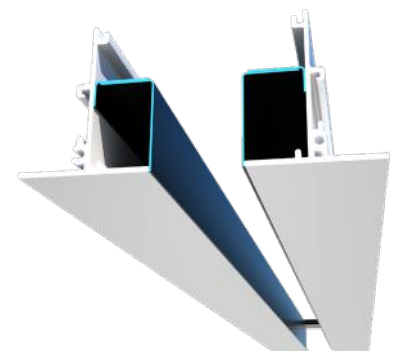
Two slot air pattern adjustment  
(may differ for each slot)



Volume adjustments

### JET-SLOT (JS)

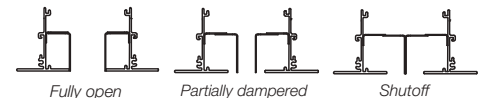
- + Jet-slot pattern controllers are designed to provide a strong vertical air pattern perpendicular to the diffuser face.
- + Jet-slot diffusers are ideal for projecting conditioned air down a high perimeter window where it is necessary for airflow to reach the floor to prevent stagnant zones, as well as interior zones with unusually high ceilings, such as auditoriums, entrance foyers, mall atriums, convention centers and theaters.



One slot air pattern adjustment



Two slot air pattern adjustment (may differ for each slot)

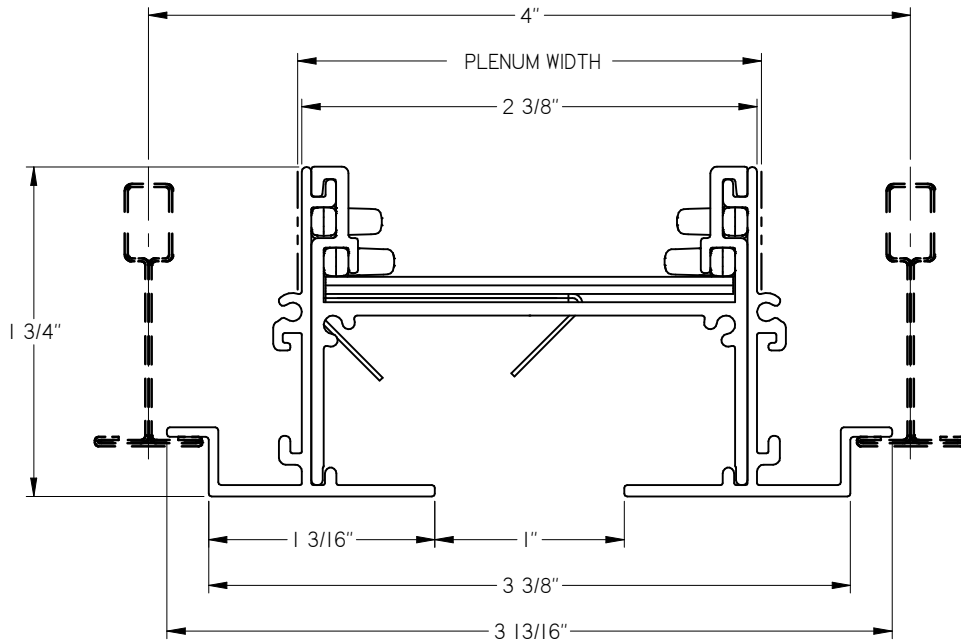


Volume adjustments

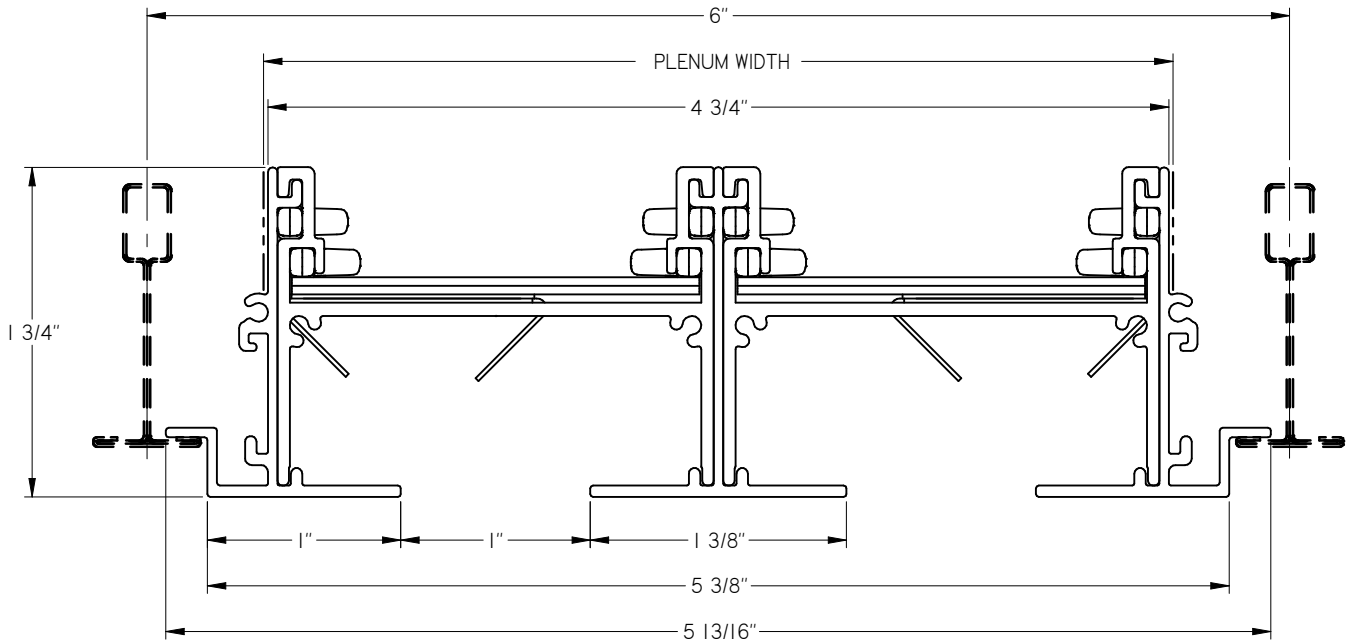
## DIMENSIONAL DATA

### CF Custom Flow Architectural Slot Diffuser Techzone® Ceiling System

#### CF Custom Flow Architectural Slot Diffuser, 1 Slot



#### CF Custom Flow Architectural Slot Diffuser, 2 Slot







## NS NOISE SHIELD

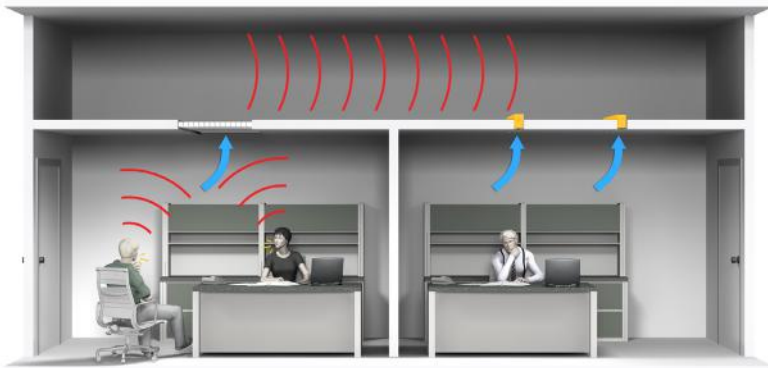
Lightweight and easy to install, this innovative product contributes to Ceiling Attenuation Class (CAC) rating by blocking sound transmission through return air openings. Positioned directly above return sections of SDS linear slot diffusers, the Noise Shield (NS) for Techzone® integration prevents the transfer of occupant noise into the plenum above and prevents mechanical noise in the plenum from flanking through return grilles into the occupied space below.

## ENGINEERED PERFORMANCE

- + The laboratory tested design allows for return air to flow through with minimal pressure drop and maximum noise attenuation.

## REDUCED PLENUM VISIBILITY

- + Located directly above return air openings, the NS blocks all lines of sight into the plenum, virtually eliminating light transfer into the room below.



## EASY INSTALLATION

- + Designed specifically for Armstrong® Techzone® ceiling applications the NS is available in standard 4 in. and 6 in. widths to fit easily onto Techzone® ceiling grids.

## TYPICAL APPLICATIONS

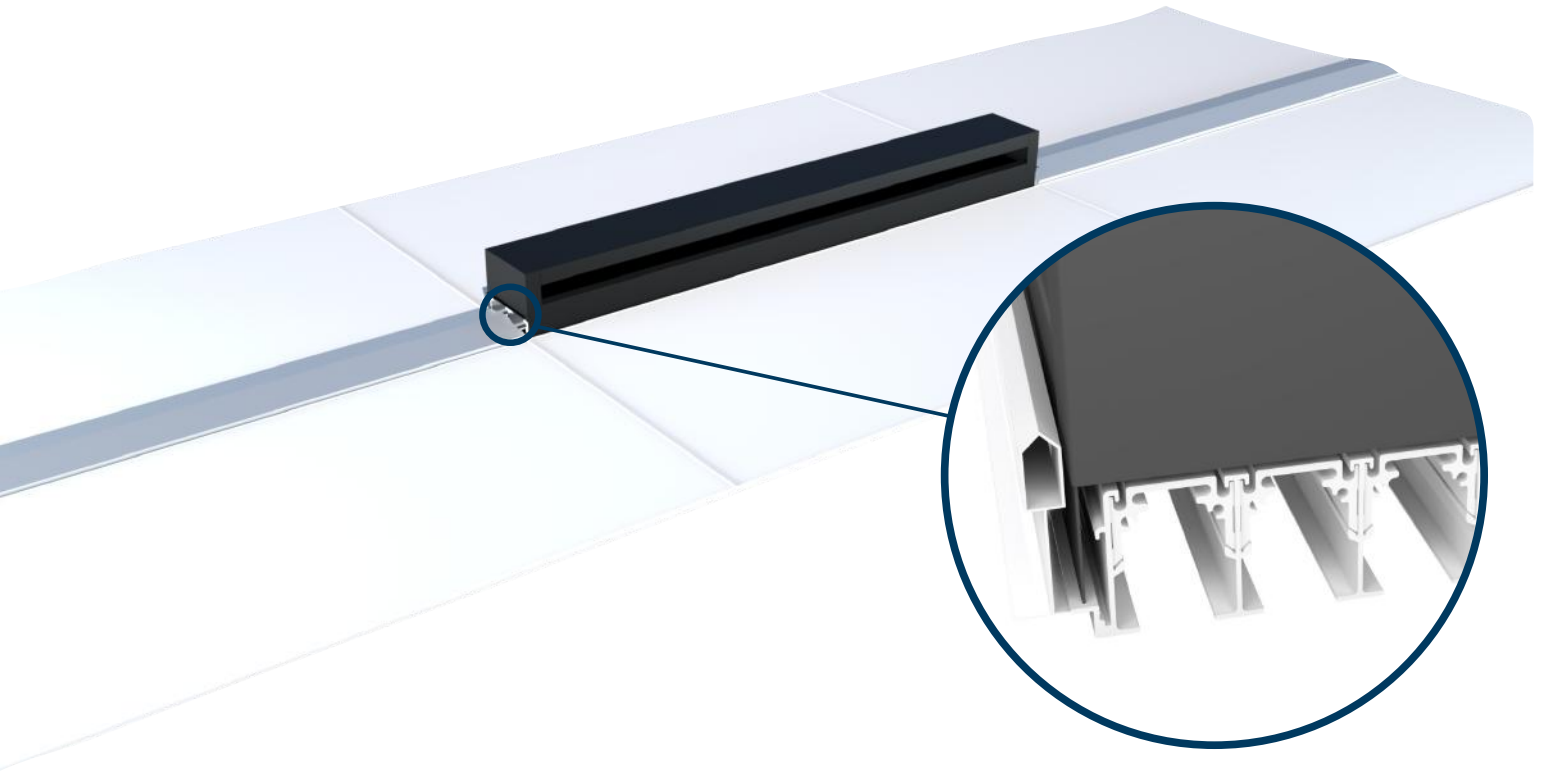
The NS provides a low cost solution for improving speech privacy between adjoining spaces while allowing for maximum airflow through return air openings. The most common applications for acoustical ceiling tile return air plenums are in office and retail spaces.

## CONSTRUCTION OPTIONS

- + Acoustic Media
  - Fiberglass
  - Fiber free foam
- + Material
  - Galvanized steel
  - Galvanneal
  - Aluminum
- + Width
  - 4 in.
  - 6 in.
- + Finish
  - Painted
  - Mill

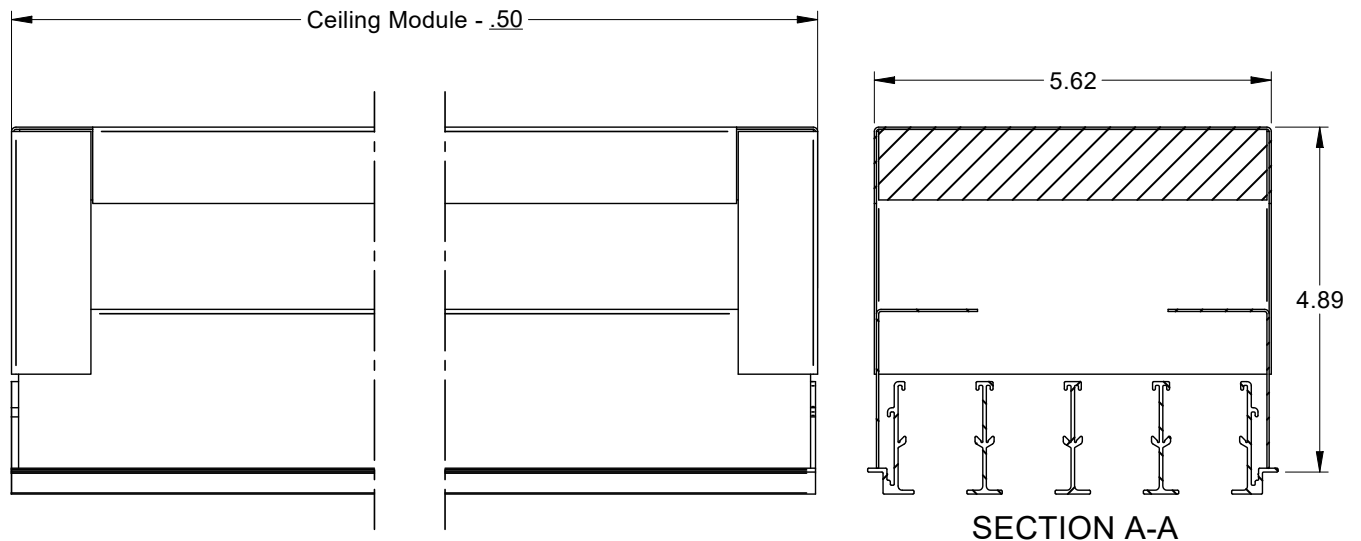
## DESIGN FLEXIBILITY

- + The NS is available with fiberglass or fiber free foam liners to best suit varying project requirements.
- + With a unit height of only 6 in., the NS can be easily incorporated in any ceiling plenum without contributing to congestion within the space.



## DIMENSIONAL DATA

### NS Noise Shield



## ACBL 12

### ACTIVE CHILLED BEAM LINEAR

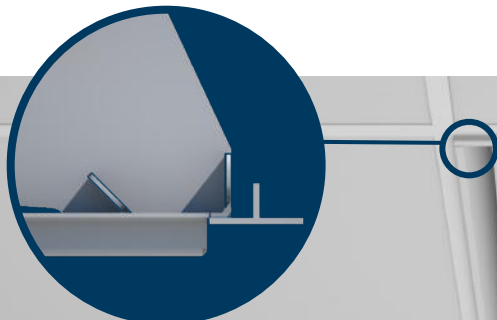
The Linear Active Chilled Beam (ACBL 12) is Price Industries' most versatile beam. The ACBL 12 is designed to provide a high cooling and heating output by conditioning the room air induced through the beams hydronic coil while simultaneously supplying fresh, conditioned air to the occupied area.

## OPTIONS & ACCESSORIES

- + **Slimline Coupling (SLIM)** The slimline coupling option allows multiple beams to be connected in series so that they appear as a single, continuous unit.



- + **Integrated Return (RET)** The integrated return allows for a ducted or plenum style return, and places it in the most optimal location. This also provides a continuous linear aesthetic.
- + **Integrated Diffuser (ADS)** The integrated diffuser includes a separate air inlet that can be combined with a manual or VAV damper. When more airflow is required, an integrated diffuser can be used to adjust the airflow to the zone.
- + **Valve & Controls Enclosure (ABS)** The enclosure section allows for room side access to the plumbing, valves, and electronic controls to simplify maintenance.



## TYPICAL APPLICATIONS

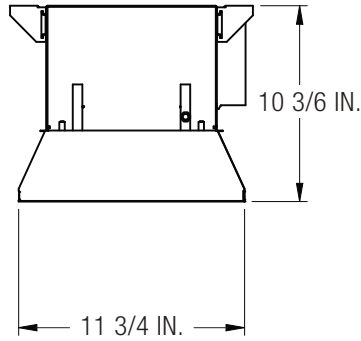
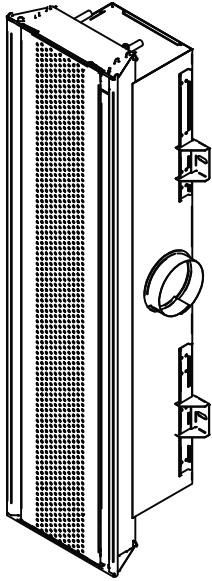
With the option of either 1-way or 2-way throw patterns the ACBL 12 can be utilized in room centers, perimeters or both to provide optimum thermal comfort. The ACBL12 is compatible with Armstrong® Techzone® ceiling systems.

## CONSTRUCTION OPTIONS

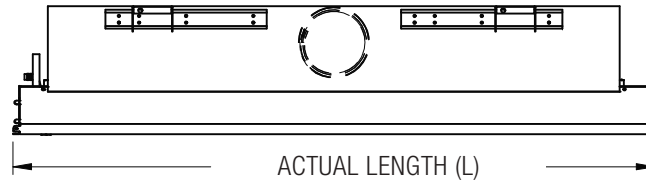
- + Face Style
  - Perforated
  - Grille
- + Techzone® Mounting
  - 9/16 in. tegular
  - 15/16 in. tegular
  - 15/16 in. flat tee
- + Piping Configuration
  - 2-pipe
  - 4-pipe
- + Finish
  - Standard white
  - Custom colours available upon request
- + Accessories
  - Slimline coupling (SLIM)
  - Integrated return section (RET)
  - Integrated diffuser (ADS)
  - Valve controls and enclosure (ABS)

## DIMENSIONAL DATA

### ACBL12 in. Linear Active Chilled Beam



	Nominal Size	Actual Width (W)
<b>Width</b>	12	11.75
	Nominal Size	Actual Length (L)
<b>Length</b>	24	23.75
<b>Length</b>	36	35.75
<b>Length</b>	48	47.75
<b>Length</b>	60	59.75
<b>Length</b>	72	71.75
<b>Length</b>	84	83.75
<b>Length</b>	96	95.75
<b>Length</b>	108	107.75
<b>Length</b>	120	119.75



## ACBR

### ACTIVE CHILLED BEAM RECESSED

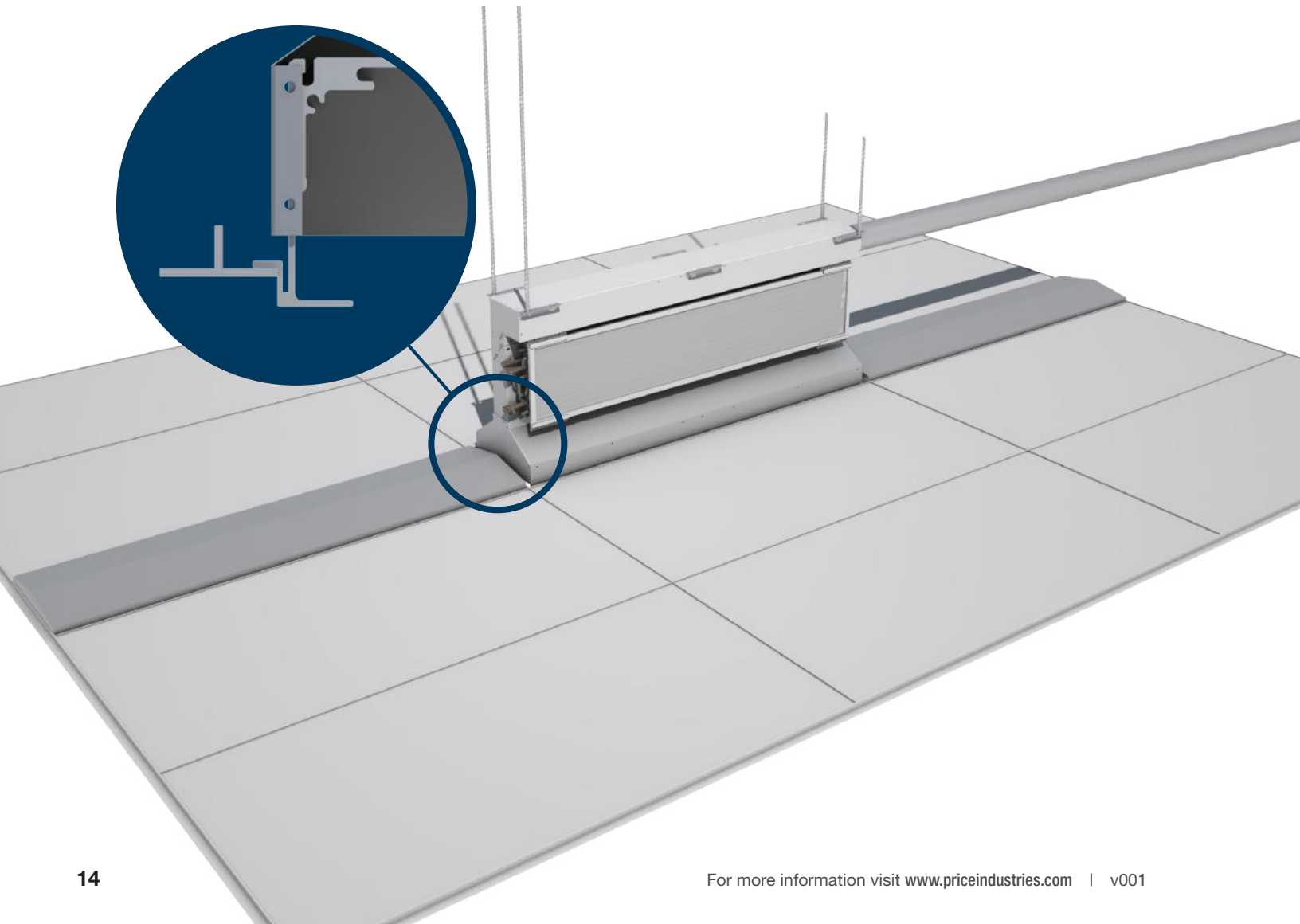
The Recessed Active Chilled Beam (ACBR) is designed for use with Armstrong® Techzne ceiling systems in conjunction with Price SDS Linear Slot Diffusers and AS/JS Custom Flow Architectural Slot Diffusers. The ACBR provides high cooling and heating output by conditioning the room air induced through the beams hydronic coil while simultaneously supplying fresh, conditioned air to the occupied area.

## TYPICAL APPLICATIONS

The narrow profile of the ACBR makes this unit ideal for installations in narrow, tight spaces along perimeters.

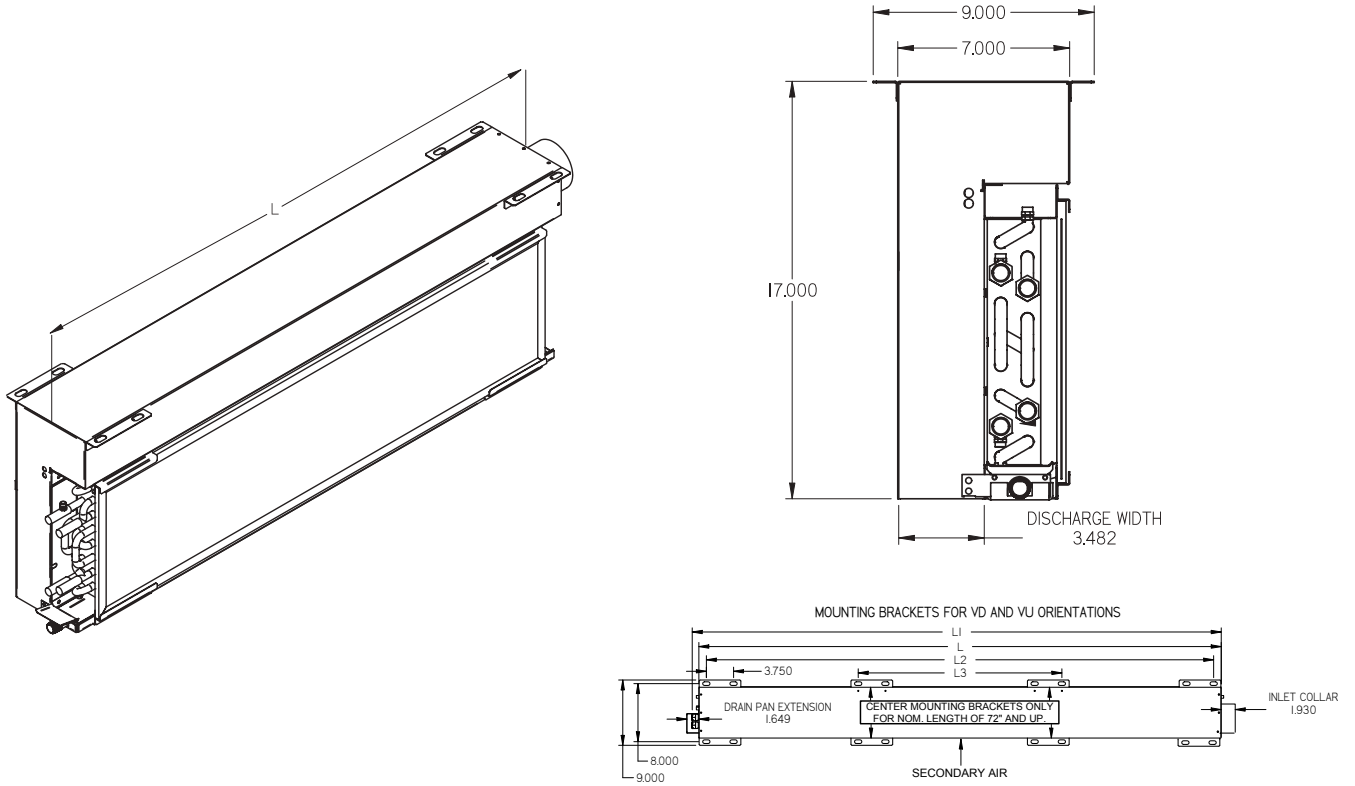
### CONSTRUCTION OPTIONS

- + Complimentary products
  - SDS Linear Slot Diffuser
  - AS/JS Custom Flow Architectural Slot Diffuser
- + Piping Configuration
  - 2-pipe
  - 4-pipe



## DIMENSIONAL DATA

### ACBR ACTIVE CHILLED BEAM RECESSED



Nominal Length	Unit Size (L)	Overall Length (L1)	VD, VU Mounting Length (L2)	Support Mounting Length (L3)
24	24	24.906	21.924	14.357
36	36	36.906	33.924	17.786
48	48	48.906	45.924	21.214
60	60	60.906	57.924	24.643
72	72	72.906	69.924	28.071
84	84	84.906	81.924	31.5
96	96	96.906	93.924	34.929



Product Improvement is a continuing endeavour at Price. Therefore, specifications are subject to change without notice. Consult your Price Sales Representative for current specifications or more detailed information. Not all products may be available in all geographic areas. All goods described in this document are warranted as described in the Limited Warranty shown at [priceindustries.com](http://priceindustries.com). The complete Price product catalog can be viewed online at [priceindustries.com](http://priceindustries.com).