

PERFORMANCE STAINLESS STEEL HINGES

SOX
STAINLESS STEEL

SOX Atom Stainless Steel Hinges

The **SOX Atom** hinge is constructed from coated stainless steel for greater resistance to corrosion. A high-performance premium product that has been UKAS tested to Grade 13, 200,000 cycles. It's a three-knuckle hinge, which houses polymer bearings. The advantage of using polymer over the traditional ball bearings is any grease seepage should stop, unlike ball bearing hinges. Ball bearing hinges also have a steel ball bearing which can cause corrosion over time even on the highest grade stainless steel hinges.

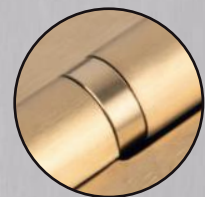
- 240hrs salt spray tested (extremely high resistance)
- Tested in a UKAS accredited Laboratory
- Polymer bearings with no rust or grease seepage
- Radius or Square hinges available in all 7 finishes
- Fire tested for timber doors and frames to FD30/60
- Up to 120kg Doors
- 102x76x3mm



SALT SPRAY
TESTED
240hrs



GRADE
13
120kg



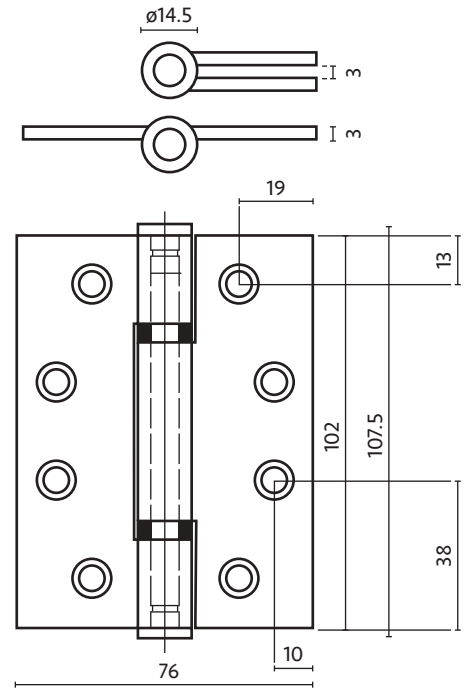
**POLYMER
BEARING**



SOX

more info

Square End Hinge

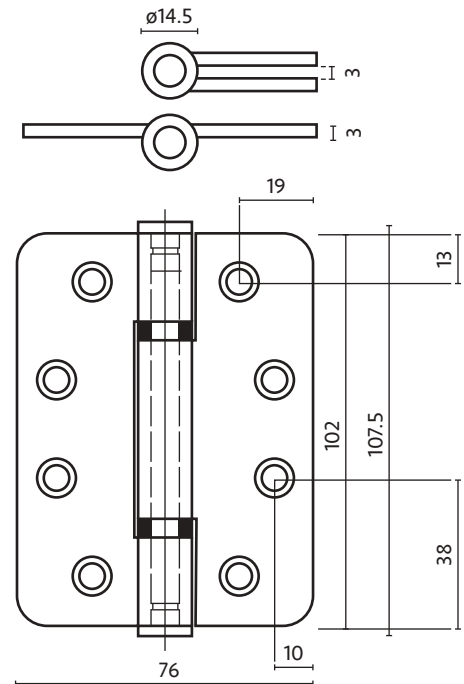
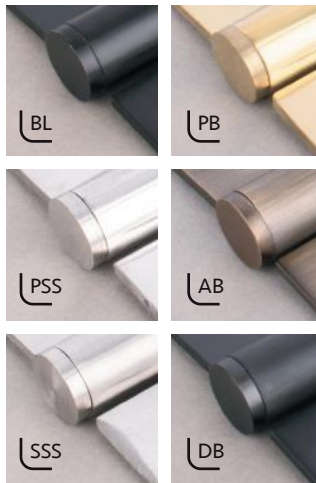


Finishes:

AB | Antique Brass, **BL** | Black, **PB** | Polished Brass, **PSS** | Polished Stainless Steel, **SB** | Satin Brass, **SSS** | Satin Stainless Steel, **DB** | Dark Bronze



Radius End Hinge



Finishes:

AB | Antique Brass, **BL** | Black, **PB** | Polished Brass, **PSS** | Polished Stainless Steel, **SB** | Satin Brass, **SSS** | Satin Stainless Steel, **DB** | Dark Bronze

