



ARCHITECTURAL BUILDERS HARDWARE

September 2017

TO OUR VALUED CUSTOMERS:

We are very pleased to announce the delivery of our NEW and REFORMATTED catalog and price book. The SIGNS, DOOR COORDINATORS, and AUTO FLUSHBOLTS sections are now combined with the BUILDERS HARDWARE section. We also added a new section for ELECTRONIC AND ELECTRIFIED HARDWARE.

Due to the rising cost of materials, freight & labor, Cal-Royal is announcing a price increase effective ***October 1st, 2017***. We have worked very hard to keep this increase between **4% & 6%**. Additional price increases could follow due to volatility of raw materials. In addition, Prepaid Freight has been increased to **\$2000.00**.

Cal-Royal will continue to honor valid quotations and buying program pricing until Friday, December 1st, 2017. To receive a link of Electronic versions of our new Catalog & Price book, please send email to sonny@cal-royal.com with the subject "NEW-CAT-2017". We intend to start mailing these out soon afterwards.

Also please see attached new product summary for quick reference of all new product additions and updates. The new price book supersedes the price book dated February 13th, 2013 and we continue to work diligently to keep our costs in check and pricing very competitive.

We encourage you to sign up in our mailing list so you can receive regular updates and product announcements in your email. To subscribe to our mailing list, TEXT the word **CALROYAL** to **22828**.

We thank you for your continued business and support. As new products and product lines are added in our catalog, we will send out announcements via email.

Sincerely,

Kaye Yashar
President

DOOR CLOSERS

- **NEW** Black Finishes 900 Series, CR441 Series and 901 / 902, CR3049HO Accessories (refer to DC1, DC2, DC4, DC6)
- **NEW** 900 Series Stainless Steel Narrow Cover with matching Stainless Steel Arm & PA Bracket US32D / 32D (refer to DC1)
- **NEW** 900 Series Stainless Steel Narrow Cover with matching Satin Nickel Arm & Accessories US32D / 15 (refer to DC1)
- **NEW** CR900HDAR Heavy Duty Arm equivalent to LCN 3077-EDA now available for 900, CR801 and CR801S Series (refer to DC2, DC9) Available Early November
- **NEW** CUSSS-61 Cush Shoe Support, BLASS-30 Blade Stop Spacer (refer to DC7) Available Early November
- **NEW** CR441DABC Door Closer with Delay Action and Back Check Valve (refer to DC4)
- **NEW** CR441 / TNDM, CONCR441 KIT connector for double CR441 (refer to DC6)
- **NEW** CR441EHO Electronic Hold Open for CR441 (refer to DC5, EE22) Available Early November
- **NEW** 500COV 32D Stainless Steel Full Cover (refer to DC11)
- **NEW** 500 Series now ANSI Grade 1 BHMA Certified (refer to DC11) Available Early November
- **NEW** DFG888 Concealed Glass Door Floor Closer (refer to DC16)

LOCKSETS

- **NEW** PE, WE, XE, PS, WS, XS Lever Designs for NM Series Escutcheon and Sectional Trims (refer to L3-L10) Factory Order Only
- **NEW** EXASA-175 Extended Lip ANSI Strike (4 $\frac{7}{8}$ " x 3 $\frac{3}{8}$ " x 1 $\frac{1}{4}$ ") (refer to L26, L61, L64, L66, L82, L90, L101, DH2)
- **NEW** Hospital Privacy Lock for Genesys and Explorer Series (refer to L28, L29, L30, L31, L50, L51, L52)
- **NEW** SL00 / T220, BA00 / T220 Combination Entrance and Single Cylinder Deadbolt (refer to L45, L58)
- **NEW** and Improved CRCODE-200 Series Grade 2 Mechanical Push Button Lock (refer to L44) Available Early November
- **NEW** Challenger Series Rochester Lever Design (refer to L55)
- **NEW** JHIL Series with Rochester Lever Design (refer to L63)
- **NEW** ICSCCRB800, ICSCCRB600 Interchangeable Core for CRB Series (refer to L67)
- **NEW** GL238, GL234, SINGL238, SINGL234 2 $\frac{3}{8}$ " and 2 $\frac{3}{4}$ " Backset Gate Latch and for Single and Double Cylinder Deadbolts (refer to L72, L74, L76, L78)
- **NEW** Summit Series Leversets with Push Button Locking Mechanism and Auto Release Feature, ANSI Standard Grade 3 (refer to L86)
- **NEW** Summit Series Amber Design with Keyed Entrance Available End of November (refer to L86)
- **NEW** Summit Series Additional US10B finish for Amber, Apex and Argo Lever Designs (refer to L86) Available End of November
- **NEW** Italia Series Stainless Steel Locksets, Knobsets, Escutcheons, ANSI Standard Grade 3 with Optional Grade 2 (L92)

CYLINDERS, KEYS & KEYING

- **NEW** Replacement Key-in-Knob / Levers, Mortise, Rim Cylinders now available in all major manufacturers keyway (refer to L102, L103)
- **NEW** MCRC-250 Free-Spinning Cylinder Guard Ring (refer to L103)
- **NEW** European Profile Re-keyable Mortise Cylinders in Schlage "C" keyway (refer to L104)
- **NEW** Large Format (LFIC) Cores in Sargent LA, Russwin D-1-4, Yale GA keyways with Mortise / Rim Cylinder Housing for these Cores. Keying Services Available (refer to L106)
- **NEW** Best / Falcon Small Format Interchangeable Cores in the following keyways: A, B, C, D, E, F, G, H, J, K, L, M, Q, and TB with Key Blanks in the following key sections A, B, C, D, E, F, G, H, J, K, L, M, P, Q, and TB. Keying Services Available (refer to L105)
- **NEW** Restricted Key Control Replacement Cylinders, compatible with our HSK, Patented Key Protection that can be keyed into our HSK Master Key Systems. An inexpensive solution for large jobs requiring both Security and Key Control (refer to L107)
- **NEW** "Combi" Key System, compatible cylinders for Best / Falcon SFIC, Schlage, Corbin / Russwin, Sargent, and Yale LFIC's, Key-in-Knob / Lever, "Mortise / Rim Combo", European Profile all with our "COS" key section. All capable of working in a single system. (refer to L113)

HINGES / NRP HINGES

• NEW FINISHES

- BB5500 - 5"x 5" Heavy Weight 4-Ball Bearing Full Mortise US32D, US10BNRP (refer to H1)
- BB52454 - 4.5"x 4" Heavy Weight 4-Ball Bearing Full Mortise US26DNRP (refer to H1)
- RCBB31 - 4.5"x 4.5" Standard Weight 2-Ball Bearing Full Mortise US26DNRP, US10BNRP, US32DNRP (refer to H1)
- BB55 - 5"x.5" Standard Weight 2-Ball Bearing Full Mortise US26DNRP (refer to H1)
- BB545 - 5" x 4.5" Standard Weight 2-Ball Bearing Full Mortise US26DNRP, US32DNRP (refer to H1)
- BB454 - 4.5" x 4.5" Standard Weight 2-Ball Bearing Full Mortise US32D, US1NRP (refer to H2)
- BBRC45 - 4" x 4" Standard Weight 2-Ball Bearing 1/4" Round Corner Full Mortise US26DNRP, US10BNRP, US15NRP (refer to H2)
- TBH30 - 4.5" x 4.5" Standard Weight Plain Bearing Full Mortise US15NRP (refer to H2)
- TBHSC55 - 4" x 4" Standard Weight Plain Bearing Full Mortise US10BNRP, US32DNRP (refer to H3)
- BB31 - 4.5" x 4.5" Standard Weight 2-Ball Bearing Solid Brass Full Mortise US10ANRP, US15NRP, US26NRP, US1NRP (refer to H1)
- BB2200 - 4.5" x 4.5" Standard Weight Concealed Ball Bearing Full Mortise US26DNRP (refer to H4)
- HOSBB5210 - 4.5" x 4.5" Hospital Tip Standard Weight 2-Ball Bearing Full Mortise US26DNRP (refer to H5)
- NEWSH140 - 4.5" x 4.5" Single Acting Spring Hinge Full Mortise US1 (refer to H6)
- NEWSH44R - 4" x 4" Single Acting Residential Spring Hinge Full Mortise US1 (refer to H7)
- NEWSH4458R - 4.5" x 4.5" - 5/8" corner radius Single Acting Residential Spring Hinge Full Mortise US1 (refer to H7)
- NEWSH35R - 3.5" x 3.5" Single Acting Residential Spring Hinge Full Mortise US1 (refer to H7)
- NEWSH3558R - 3.5" x 3.5" - 5/8" corner radius Single Acting Residential Spring Hinge Full Mortise US1 (refer to H7)
- TBHRC33 - US10BNRP (refer to H8)
- BBRH60 - 4" x 4" 1/4" corner radius Residential Weight 2-Ball Bearing Full Mortise US11P (refer to H8)
- BBRH61 - 3.5" x 3.5" 1/4" corner radius Residential Weight 2-Ball Bearing Full Mortise US11P (refer to H8)
- BBRH40 - 4" x 4" - 5/8" corner radius Residential Weight 2-Ball Bearing Full Mortise US11P (refer to H9)
- BBRH35 - 3.5" x 3.5" - 5/8" corner radius Residential Weight 2-Ball Bearing Full Mortise US11P (refer to H9)
- RH40 - 4" x 4" - 5/8" RC Residential Weight Plain Bearing Full Mortise US15NRP, US26DNRP, US10BNRP, US11P, US11PNRP, US26NRP, US32DNRP, USPNRP (refer to H9)
- RH40B - 4" x 4" - 5/8" RC Bulk Assembled Residential Weight Plain Bearing Full Mortise US11P, US15, US26D (refer to H9)
- RH60 - 4" x 4" - 1/4" RC Residential Weight Plain Bearing Full Mortise US15NRP, US26DNRP, US10BNRP, US11P, US11PNRP, US26NRP, US32DNRP, USPNRP (refer to H10)
- RH61 - 3.5" x 3.5" - 5/8" RC Residential Weight Plain Bearing Full Mortise US11P (refer to H10)
- RH35 - 3.5" x 3.5" Residential Weight Plain Bearing Full Mortise US4, US11P (refer to H10)
- RH35B - 3.5" x 3.5" Residential Weight Plain Bearing Full Mortise Bulk Assembled US11P (refer to H9)
- CAS44R, CAS44L - 4" x 4" Castlegate Residential Weight Plain Bearing Full Mortise US26DNRP, US2DNRP (refer to H10)

• NEW ITEMS

- BUSH-4458R - 4" x 4" - 5/8" RC Bulk Assembled non-template Single Acting Residential Spring Hinge Full Mortise US26D, US2D, US15 (refer to H7) *Available Early November*
- SBBB31 - 4.5"x 4.5" Standard Weight 2-Ball Bearing Solid Brass Full Mortise US10BNRP (refer to H4)
- 10RH-35 - 3.5"x 3.5" Residential Weight Plain Bearing Full Mortise packed with 1" screws US26D, US15, US26, US10B (refer to H10)

SWING CLEAR HINGES

- BB350 - 3.5" x 3.5" Standard Weight 2-Ball Bearing Full Mortise US15, US26D, US3, US10B, US26, US4 (refer to H5)
- BB35058 - 3.5" x 3.5" - 5/8" RC Standard Weight 2-Ball Bearing Full Mortise US15, US26D, US3, US10B, US26, US4 (refer to H5)
- BB400 - 4" x 4" Standard Weight 2-Ball Bearing Full Mortise US15, US26D, US3, US10B, US26, US4 (refer to H5)
- BB40058 - 4" x 4" - 5/8" RC Standard Weight 2-Ball Bearing Full Mortise US15, US26D, US3, US10B, US26, US4 (refer to H5)

HINGES

- **NEW ITEMS**

- **CONTINUOUS HINGES**

CET8 - 8-wire Removable 12" Aluminum Gear Hinge can easily be removed for Adjustment and Service (refer to H14)

EPT - Cut-out according to Von Duprin Part # EPT-10 and Cal-Royal CRPT-10, CRPT-10C (refer to H14)

EXIT DEVICES

- **NEW** Narrow Head Concealed Vertical Rod for 7700 & 9800 Series Exit devices now available with Fire Rating ***Available End of November*** (refer to E10, E26)
- **NEW** Rose Trim Design ATENT00L, SPAENT00L, TUBENT00L (refer to E3, E18, E35, E46)
- **NEW** ADA 9800 and 2200 Exit Devices (refer to E15, E17, E29, E32, E34)
- **NEW** 7700 Series Delayed Egress Exit Devices now ANSI / BHMA ANSI BHMA A156.24 Delayed Egress Locks Approved (refer to E1, E7)
- **NEW** Heavy Duty Escutcheon Trims HDESC-00, HDESC-05, HDESC-30, HDESC-40 (refer to E4, E19)
- **NEW** Heavy Duty Escutcheon TUB Design Trims HDTSESC-00, HDTSESC-05, HDTSESC-30, HDTSESC (refer to E4, E19)
- **NEW** Electrified Lever Trims FS12HD, FS12TS, FS24HD, FS24TS, FSE12HD, FS12TS, FSE24HD, FSE24TS (refer to E4, E19, EE14, EE16)
- **NEW** Electrified Lever Trims for CVR FS12CVR00, FS24CVR00, FSE12CVR00, FSE24CVR00 (refer to E8, E24, EE15)
- **NEW** Escutcheon Trims for MRESC00TS, MRESC05TS, MRESC30TS (refer to E12, E28)
- **NEW** Electrified Lever Trims for MR FS12MR, FS24MR, FSE12MR, FSE24MR (refer to E12, E28)
- **NEW** US32 Finish on selected 9800 products (refer to E14)
- **NEW** Field Install Electronic Latch Retraction Kit FLR7700KIT, FLR2298KIT (refer to E40, EE19)
- **NEW** Power Supplies CRPS202, CRPS202B, CRPS5 (refer to E41)
- **NEW** 8000KSTR Storeroom Ball Knob Key-Lock "C" Keyway (refer to E45)
- **NEW** UL-Listed Lockable / Removable Mullion (refer to E47)

LITES & LOUVERS

- **NEW** Lower Prices on Lites, Glass, and Kits (refer to Lites and Louvers pricelist)
- **NEW** Glass Pyran (PPF) Custom Sizes (refer to LL12)
- **NEW** Glass Wireshield (WS) Custom Sizes (refer to LL13)
- **NEW** Glass Tempered (TEMP) Custom Sizes (refer to LL14)
- **NEW** Lites 10VL Vision Lites Custom Sizes (refer to LL6)
- **NEW** Lites SVL Low Profile Vision Lites Custom Sizes (refer to LL4)
- **NEW** Lites VL Vision Lites Standard Profile Custom Sizes (refer to LL4)
- **NEW** Lites Kits with Glass Pyran (PPF) Custom Sizes (refer to LL8)
- **NEW** Lites Kits with Glass Wireshield (WS) Custom Sizes (refer to LL10)
- **NEW** Lites Kits with Glass Tempered (TEMP) Custom Sizes (refer to LL9)

BUILDERS HARDWARE

- **MOVED** Auto Flushbolts to Builders Hardware Section (refer to DH15)
- **MOVED** Surface Overhead Door Closer to Builders Hardware Section (refer to DH29)
- **MOVED** Door Coordinator (DORCO) to Builders Hardware Section (refer to DH18)
- **MOVED** SIGNS Section to Builders Hardware Section (refer to DH30, DH31, DH32)
- **NEW** DL402361 Door / Window Casement Security Latch Lock US3, US5, US0B, US15, US26, US26D (refer to DH2)
- **NEW** EXASA-175 Extended Lip ANSI Strike (4 7/8" x 3 3/8" x 1 1/4") US32D, DURO (refer to DH2)
- **NEW** FLAST-46 Flat ANSI Strike (4 7/8" x 3 3/8" x 1 1/4") US32D, US10B (refer to DH2)
- **NEW** CMBOPUL3516 Stainless Steel Push / Pull Plate (refer to DH4)
- **NEW** PULL1000 Stainless Steel Pull Plate with 3/4" "PULL" engraved in black color (refer to DH5)
- **NEW** PUSH003, PUSH004 Stainless Steel Push Plate with 3/4" "PUSH" engraved in black color (refer to DH5)
- **NEW** PRIULDV200 UL - Listed Privacy Door Viewer (refer to DH8)
- **NEW** COV160, COV200 Door Viewer Cover for DV90, DV91, ULDV160 (COV160), DV180, ULDV200, ULDV201 (COV200) (refer to DH8)
- **NEW** HPDL258 - Hotel Privacy Door Latch US26D, US3, US4, 26, 4, 10B (refer to DH9)
- **NEW** 18SDLR Privacy Sliding Door Lock, 2 3/8" Backset US15, US10B, US26, US26D (refer to DH11)
- **NEW** 20SDLR Privacy Sliding Door Lock, 2 3/4" Backset US26D (refer to DH11)
- **NEW** 14SDLR Passage Sliding Door Lock, 2 3/8" Backset US15, US10B, US26, US26D (refer to DH11)
- **NEW** 30SDLR Passage Sliding Door Lock, 2 3/4" Backset US26D (refer to DH11)
- **CHANGED** ITEM# MF6341 from ULFB634 US26D, 3, US10, 10B, US4, 5, 26, US15, 15A, 19, Almond/White (refer to DH14)
- **CHANGED** ITEM# WF6341 from WFUL634 US26D, 3, US10B, US15, US26 (refer to DH14)
- **NEW** STRKMF Strike for MF6341 (refer to DH14)
- **NEW** Wall Door Stops / Bumpers WSPR-02, WSNP-04, WSPS-01, WBC-06 US32D, US32 (refer to DH21)
- **NEW** Wall Door Stops / Bumpers 4CWS-21 US26D, US10B (refer to DH20)
- **NEW** Floor Door Stops / Bumpers EUS-03, EUS-05, EUS-07, DSFT-5 US32D, US32 (refer to DH23)
- **NEW** Floor Door Stops / Bumpers 3CFS-85 US26D, US10B (refer to DH22)
- **NEW** Security Floor Door Stops / Bumpers LSDC-315, SDC-115 BLACK (refer to DH22)
- **NEW** Oval Closet Hardware US26 (refer to DH26) Available Mid-October
- **NEW** SDH Series Stainless Steel Sliding Door Hardware US32D, including **Soft Stop** (refer to DH33-DH34)
- **NEW** SDH Series with Soft Close System (refer to DH33-DH34) Available Early November
- **NEW** BDH Series Barn Door Hardware Matte Black (refer to DH36-DH37)
- **NEW** BDH Series Barn Door Hardware Matte Black with Soft Closing System (refer to DH36-DH37) Available Mid-November

ELECTRONIC & ELECTRIFIED HARDWARE (NEW SECTION)

- **MOVED** CR3000 and CR6000 from LOCKSETS to ELECTRONIC & ELECTRIFIED HARDWARE (refer to EE1-EE3)
- **NEW** PL7100, RS2100, CR9000 Electronic Locksets (refer to EE4, EE5, EE6)
- **NEW** DB5000, DB9000 Electronic Deadbolts (refer to EE8, EE9) Available early November
- **NEW** ZWDB-10 Z-wave Touchscreen Electronic Deadbolt (refer to EE10)
- **NEW** Power Supplies CRPS202, CRPS202B, CRPS5 (refer to E41, EE18)
- **NEW** Field Electronic Latch Retraction Kit FLR7700KIT, FLR2298KIT (refer to E40, EE19)
- **NEW** Concealed Power Transfer Units CRPT-2, CRPT-10, CRPT-10C (refer to EE21)
- **MOVED** Magnetic Door Holders to EEH Section (refer to EE22)
- **NEW** CR441EHO Electronic Hold Open for CR441 Door Closers it (refer to EE22, DC4)

Introduction to Cal-Royal Products, Inc.

CAL-ROYAL PRODUCTS, INC. was established in California in 1983. Since then, our management and staff have been dedicated to provide the best service and products to our customers. Cal-Royal currently has five warehouses nationally. Our corporate office and main facility is located in Commerce, California, with satellite warehouses in Arizona, Texas, Pennsylvania, Georgia and Florida.

Cal-Royal has focused on providing “Innovative and Value Added” hardware products and accessories to the builders industry. In accepting this charter, Cal-Royal has continued to be the leader in import hardware. Our product offering is designed to comply with the Americans with Disabilities Act (ADA) and to encompass all levels of ANSI classification, Grades 1, 2 and 3 as well as UL requirements.

In keeping with our tradition of innovation, Cal-Royal is one of just three manufacturers providing the Clutch System (Genesys, Grade 1) for lever locks. This system provides superior design and value by deterring damage to levers from misuse or vandalism. Furthermore, we offer a complete line of mortise locks, exit devices, door closers, hinges and many other hardware and trim products.

Cal-Royal has provided hardware for many notable projects built or renovated in the past 10 years. The MGM Grand Hotel in Las Vegas, the Pentagon in Washington D.C. and several buildings of the Internal Revenue Service to name just a few. Additionally we have provided products for Hilton and Marriott Hotels, several Federal courthouses and many commercial buildings, hospitals and retail stores.

Cal-Royal Products, Inc. is the vision of its founders Mr. Sina Yashar and his sons Kaye and David. The Senior Yashar was a prominent international businessman prior to the founding of Cal-Royal. Kaye was educated in England earning a degree in Computer Science and David taking the more traditional route and earning his degree in Business Marketing. The two sons remain active in the daily operation of Cal-Royal. Their combined drive, ambition and knowledge has propelled Cal-Royal to the position it holds today as a leader in manufactured and imported hardware.

Cal-Royal’s commitment is to deliver the highest quality, cost-effective service and value to our customers. Each member of our professional staff has been trained to provide quality construction, technical and management services to our customers. Please consider our company and team for your future hardware requirements.

Respectfully,

Cal-Royal Products, Inc.



To Whom It may Concern,

This is to verify that “Cal-Royal Products, Inc.” is a major supplier of door hardware. We are currently supplying door hardware to many national hotel chains. Many architectural firms in the U.S. and International market have approved our door hardware products. We assure you our products are of the highest quality. All our products meet or exceed all ANSI and UL specification for the U.S. market, and now includes a line of European style door hardware.

The following list is sample of the hotels and U.S. government agencies, which our products were approved and are still quite satisfied with our product line. These hotels and government facilities are located in both the international and domestic market.

Private, Government Organizations and Hotel List

Abu Dhabi Airport	UAE	Monte Carlo Hotel	Las Vegas, NV	Americas Best Value Inn & Suites	Flagstaff, AZ
Dubai Airport	UAE	Circus Circus Hotel	Las Vegas, NV	The Westin Hotel	Phoenix, AZ
Four Seasons Hotel	Egypt	MGM Hotel	Las Vegas, NV	Orchard Pointe Assisted Living Facility	Glendale, AZ
JW Marriott & Marriott Hotels	Worldwide	Sheraton Hotel	New Orleans, LA	Luke Air Force Base	Litchfield Park, AZ
Sheraton Hotels	Worldwide	Oasis Hotel	Cancun, MX	29 Palms Military Housing	29 Palms, CA
Westlin Hotels	Worldwide	Comfort Inn Suites	Duluth, GA	St. James Roman Catholic Church	Glendale, AZ
Hilton & Double Tree Hotels	Worldwide	West Side Church	Lexington, KY	Proxy 333 Apartment Homes	Phoenix, AZ
Holiday Inn / Holiday Inn Exp	Worldwide	Comfort Inn Suites	South Bend, IN	Wildlife World Zoo	Litchfield Park, AZ
Comfort Inns	Worldwide	Don Cesar Beach Resort	Florida	Basis Charter Schools	Arizona
Red Roof Inns	Worldwide	Whitney Manor	Cheshire, CT	1044 Downing Street	Denver, Colorado
Radison Hotels	Worldwide	Sun Suites	Georgia	16th Street	Denver, Colorado
Sun Suite & Affiliates	Worldwide	Spring Hill Suites	Ft. Lauderdale, FL	28th and Blake	Denver, Colorado
Embassy Suites	Worldwide	Hawthorn Suites	Indianapolis, IN	Alameda Station	Denver, Colorado
San Stefano Four Seasons Hotel	Egypt	First Assembly of God	Delphi, IN	Parkhill Village West 2	Denver, Colorado
Sofitel Pyramid Hotel	Egypt	Resolute Child Development	Indianapolis, IN	Vela Meridian	Denver, Colorado
Cairo Airport	Egypt	Christ the Savior Church	Indianapolis, IN	Six Flags Over Texas	Arlington, TX
Intercontinental Hotel	El Gouna, Egypt	Far Best Foods	Indianapolis, IN	Broadstone Farmers Market Apartments	Dallas, TX
Kuwait Embassy	Cairo, Egypt	Free Methodist Church	Murfreesboro, KY	The Alexan Apartment Communities	Dallas, TX
American Embassy	Maadi, Egypt	Southport Christian Church	Southport, IN	Cityline Apartments	Richardson, TX
McGuire (Air Force Base)	Wrightstown, NJ	Country Inn & Suites	Marion, IN	Home2Suites	Texas
US Federal Court Office Building	Washington D.C.	Valley Mills Christian	Owensboro, KY	Home2Suites	Lake Charles, LA
IRS Office Buildings	U.S.A.	First Lutheran Church	Louisville, KY	Home2Suites	Oklahoma City, OK
Dover Air Force Base	Dover, Delaware	Universal Towers	Orlando, FL	Temecula Assisted Living Facilities	California
International Trade Offices	Portsmouth, ME	Andy Mohr Ford Dealership	Plainfield, IN	Ocean Hills Assisted Living Facilities	California
YMCA Offices	S. Portland, NH	Various Amusement Parks	Florida	Our Lady of Perpetual Help	Indio, CA
Pentagon Office Buildings	Washington D.C	Auction Broadcasting Offices	Indianapolis, IN	Hudson Lights Retail and Apartments	Ft. Lee, NJ
Fort Carson	Colorado Springs, CO	AMLI @ Riverbed Rehab Offices	Indianapolis, IN	Fort Dixon	New Jersey
Camp Lejeune	Camp Lejeune, NC	Howard Johnson	Albany, GA	Hydro Québec Centre D'interprétation Beauharnois	Canada
Beals Dept. Stores	Florida	Olympia Park Hotel	Salt Lake City, UT	Usine de filtration D'eau Potable Riverside Longueuil	Canada
US Customs Office Buildings	Tampa, FL	Keystone Senior Living	Douglasville, PA	Palais de Justice Temporaire Rimouski	Canada
Cook Building Office Buildings	Bloomington, IN	Sleep Inn	Middletown, NY	Hydro-Québec Poste de Lorimier	Canada
Ohio State University	Columbus OH	Riverbend Condo's	Newark, NJ	Réservoir de la Savane Longueuil	Canada
North State University	Denton, TX	Core National Communities	Waterman, CA	Réaménagement Bureau Ministère de la Sécurité Publique Longueuil	Canada
Philadelphia School District	JFK Center	Core National Communities	Mission Cove, CA	Ville de Montréal, Centre de service Dickson	Canada
Clinique Médicale Urbaine	Montréal	Salle de Spectacle de St-Jérôme	Canada	Carrefour de l'Estrie, Redéveloppement	Sherbrooke
OMHM Habitations Nicolet	Canada	Bureaux PSP Montréal	Canada		

We thank you for your interest in Cal-Royal Products, Inc. and we hope to serve you in the near future in all your hardware needs for the hotel and commercial buildings.

Yours truly,

Kaye Yashar
President

July 28, 2015

Re: Buy American Act / American Recovery and Reinvestment Act

To All Customers and potential customers:

We want to take this opportunity to discuss the Buy American Act and the American Recovery and Reinvestment Act of 2009 in connection with the purchase and use of Cal-Royal products.

Buy American Act:

The Buy American Act ("BA Act") specifies that the U.S. Government and certain other third parties which utilize federal funds for a project must give preferred status to goods that are manufactured in the U.S.A., however, there are several exemptions. Two of the listed exemptions, which apply to products supplied by Cal-Royal Products, Inc., are as follows:

1. The U.S. Trade Representatives have waived the requirements of the BA Act for products that are purchased from countries that are members of the World Trade Organization (WTO), and signatories of the Government Procurement Agreement ("GPA"). Taiwan and South Korea are members of the WTO and signatories to the GPA. Accordingly, products purchased by Cal-Royal from these two countries are exempt from the BA Act, and may be purchased for projects covered by the BA Act without penalty or violation. Please note, however, that this exemption applies when the procurement amount exceeds certain thresholds for supply (\$203,000) and / or construction contracts (\$7,804,000). Please refer to the BA Act for current thresholds and related provisions.

Cal-Royal products that are acceptable for use on BA Act projects include:

LOCKSETS

- CR3000 Grade 1 Digital Keypad Door Locks (Taiwan)
- PL7100 Grade 1 Commercial Phone Lock BLE (Taiwan)
- ZWDB-10 Meets Grade 3 Standards Z-wave Touch Screen Electronic Deadbolt (Taiwan)
- RS2100 Grade 2 Residential Phone Lock BLE (Taiwan)
- CR6000 Grade 1 Digital Touch Screen Door Locks (Korea)
- CR9000 Grade 2 Digital Touch Screen Door Lock (Korea)
- NM Series Grade 1 Mortise Locks (Taiwan)
- SC Series Grade 1 Mortise Locks (Taiwan)
- HOS-PP30 Series Grade 1 Hospital Push / Pull Latch (Taiwan)
- Genesys Grade 1 Cylindrical Leversets (Korea)
- Calypso Grade 1 Cylindrical Leversets (Taiwan)
- Omega Grade 1 Cylindrical Locksets (Taiwan)
- Explorer Grade 2 Heavy Duty Cylindrical Leversets (Korea)
- Commander Gr 2 Heavy Duty Cylindrical Leversets (Korea)
- Pioneer SL Grade 2 Cylindrical Leversets (Korea)
- Challenger Grade 2 Cylindrical Leversets (Korea)
- Barrington Grade 2 Cylindrical Locksets (Korea)
- HIL and JHIL Grade 2 Interconnected Locks (Korea)
- CRB800 Grade 1 Heavy Duty Deadbolts (Taiwan)
- T300 Grade 2 Heavy Duty Deadbolts (Taiwan)
- T220 Grade 2 Standard Duty Deadbolts (Korea)
- Legacy Series Grade 3 Residential Levers (Taiwan)

HINGES (Taiwan)

- TABB31 4 ½" x 4 ½" Standard Weight, Two-Ball Bearings
- TABB545 5" x 4 ½" Standard Weight, Two-Ball Bearings
- TABB5200 4 ½" x 4 ½" Heavy Weight, Four Ball-Bearings

DOOR CLOSERS

- 900 Series Grade 1 Heavy Duty Door Closers (Korea)

EXIT DEVICES

- 7700 Series Grade 1 Exit Devices (Taiwan)
- 9800 Series Grade 1 Exit Devices (Taiwan)
- 2200 Series Grade 1 Exit Devices (Taiwan)
- 4400 Series Grade 2 Exit Devices (Taiwan)

CYLINDERS

- CRP HSK High Security Cylinders (Korea)
- CRP Combo Cylinders

2. Section 10a of the Act provides that the U.S. Government may purchase foreign products where U.S. made products are not available in sufficient quantity and/or where a U.S. equivalent is sold at an unreasonable price. Executive Order 11051 issued on September 27, 1962 established that a U.S. made product is unreasonable in price when it sells for six percent (6%) or more than the foreign equivalent product. Cal-Royal products are competitively priced and in most cases offer greater than 6% savings over domestic products.

As most projects covered by the BA Act exceed the minimum monetary thresholds and all of the above Cal-Royal products satisfy one or both of the above exemptions to the BA Act, these products can be purchased for such projects covered by the BA Act.

2009 American Recovery and Reinvestment Act:

The American Recovery and Reinvestment Act (ARRA) includes a “Buy American” provision as well as an exemption to that provision for members of the WTO and signatories of the Government Procurement Agreement (GPA). See above list confirming that Cal Royal’s products originate from WTO and GPA countries. Cal-Royal customers should also be aware that the ARRA has additional restrictions and should take steps to confirm the applicability of the above exemptions.

Cal-Royal is currently locating alternative suppliers in WTO / GPA countries for hinges to be used on projects covered by the American Recovery and Reinvestment Act or Buy American Act.

It is also worth noting that all of Cal-Royal’s products meet and/or exceed every ANSI definition of quality or requirement for performance standards. We also have products that are Underwriters Laboratory (UL) rated and approved in their respective countries.

In short, we encourage our customers to bid on appropriate government-related jobs using Cal-Royal products. That being said, as this letter does not constitute legal advice, customers should verify for themselves the applicability of the BA Act and/or the ARRA and their related exemptions.

We thank you for your business and continued support.

Sincerely,

Cal-Royal Products, Inc.



LEED STATEMENT

CAL ROYAL PRODUCTS, INC.

Post and Pre-Consumer Recycled Content Summary

	Post-Consumer Recycled Content*	Pre-Consumer Recycled Content**	TOTAL LEED Recycled Content Percentage
ALUMINUM DOOR CLOSERS CR801S, CR801, N900PBF, N900PBFDA, CR441SERIES, 300 SERIES, 700 SERIES, S-430P	48%	0%	48%
EXIT DEVICES			
<i>EXIT DEVICE</i>	61%	0%	61%
<i>TRIMS</i>			
8000L Series	16.7%	24.7%	29.1%
8000K Series			28.7%
LOCKSETS			
NM Series			
Rose & Lever in Brass	10%	0%	10%
Escutcheon & Lever in Brass	5%	0%	5%
Rose & Lever in Stainless Steel	0%	0%	0%
Escutcheon & Lever in Stainless Steel	0%	0%	0%
SL Series	12.52%	4.5%	17.02%
XP Series	11.4%	3.5%	14.9%
SG Series	11.96%	4.0%	15.96%
ULT360 Series	25%	16%	28%
ULT362 Series	28%	15%	29%
BA Series	13%	17%	23%
Genesys Series	66%	0%	66%
Omega Series	66%	0%	66%
DOOR HARDWARE			
AUTOFLM-1	0%	5%	5%
AUTOFLW-22	0%	8%	8%

*Recycled content defined in accordance with industry standards.

**Pre-consumer recycled content refers to waste material that is immediately placed back into the production cycle. Waste materials generated by the production of these products are collected and shipped off site where it then reenters the recycle stream.

FOR MORE DETAILS ON THE RECYCLED MATERIAL CONTENT
Please visit our website at www.cal-royal.com under
CERTIFICATIONS AND UPDATES



CAL-ROYAL PRODUCTS, INC.

is now

Florida Building Code Approved!



Florida Building Code #: FL13922

August 17, 2011



To All Our Valued Customers:

Cal-Royal Products, Inc. is pleased to announce component approval of tested Cal-Royal Hardware by the State of Florida for use statewide. Including the HVHZ zone at approved design pressures. Approved hardware specimens were evaluated in accordance with: High Velocity Hurricane Zone Protocols TAS 202-294, TAS 201-94, and TAS 203-94.

The TAS test and pressure evaluations are also accepted by participating states including Louisiana, Alabama, Mississippi, and Georgia.

Approved Cal-Royal Hardware types include:

- Grade 1 Genesys Series Lever Locksets
- Grade 1 NM Series Mortise Locksets (NM is the new name for our M Series Mortise Locks)
- Grade 2 Pioneer Series Lever Locksets
- Grade 2 T300 Series Deadbolts
- Grade 1 7700 Rim Panic Bar and Fire Exit Device
- Grade 1 7700V Vertical Rod and Fire Exit Device

To view the complete information, please log on to www.floridabuilding.org and select "Product Approval" and enter "FL13922".

Thank you for your support. We look forward to serving you.

CAL-ROYAL PRODUCTS, INC.



ARMED SERVICES ASSOCIATION
WASHINGTON, D.C.

RE: United States Military Purchasing Directory

DATE: 6/18/04

VENDOR NUMBER: 152908349

Director of Government Sales
Cal-Royal Products Inc
6605 Flotilla St.,
Los Angeles, CA 90040

Dear Director of Government Sales:

Our records from the Defense Logistics Agency indicate that your company is currently registered in the Central Contracting Registry (CCR). Your registration qualifies you to do business with the Department of Defense (DoD), and makes you eligible to be listed in the United States Military Purchasing Directory.

The Directory is distributed to all purchasing offices throughout the DoD every fiscal year. Purchasing officers and DoD contracting personnel specifically use the Directory to locate vendors from whom they will buy goods and services.

Vendors registered with the CCR are eligible to be listed in the Directory, or place display ads, to further market themselves to military buyers. If you are interested in being listed in the Directory for the upcoming fiscal year, you can request information from our offices in Washington, D.C. by calling 1-800-981-3845, Mon.-Fri., 9:00am-4:00pm, E.S.T.

The information will be faxed to you immediately.

Sincerely,

Michael J. Briggs
A.S.A. Vendor Relations Office

P.O. BOX 42186 WASHINGTON, D.C. 20015-0786 1-800-981-3845 FAX 1-800-981-3846

TERMS AND CONDITIONS FOR CAL-ROYAL PRODUCTS

CORPORATE OFFICE CAL-ROYAL PRODUCTS INC.

6605 Flotilla Street, Commerce, California 90040-1614
 ☎ 323-888-6601 / 800-876-9258 ☎ 323-888-6699 / 800-222-3316
 ✉ sales@cal-royal.com

<p><u>SOUTHWEST DISTRIBUTION</u> SOUTHWEST OPENING SOLUTIONS</p> <p>1725 W. Williams Drive Phoenix, AZ 85027 ☎ 602-698-7779 ✉ Info@SWOpeningSolutions.com 🌐 www.SWOpeningSolutions.com</p>	<p><u>MIDWEST DISTRIBUTION</u> SSG TEXAS</p> <p>608 E Avenue K Grand Prairie, TX 75050 ☎ 817-275-3070 ☎ 817-275-3068 ✉ gregshuck@ssg-texas.com</p> <hr/> <p>423 Blueberry Street Houston, TX 77018 ☎ 817-275-3070 ☎ 817-275-3068 🌐 www.ssg-texas.com</p>	<p><u>SOUTH EAST DISTRIBUTION</u> R & S MFG. REPRESENTATIVES</p> <p>12632 – 59TH Way North Clearwater, FL 33760 ☎ 727-535-2020 / 888-449-3667 ☎ 727-539-8810 ✉ susan@r-yourhmsource.com</p>	<p><u>EASTERN DISTRIBUTION</u> TAB INDUSTRIES, LLC</p> <p>2525 N 12 St. Reading, Pennsylvania 19605 ☎ 610-921-0012 ☎ 610-921-0014 ✉ tbrizek@TABIndustries.com</p>	<p><u>GEORGIA WAREHOUSE</u> BOWEN SALES INC.</p> <p>3519 Church St., Suite G Clarkston, GA 30021 ☎ 404-297-6600 ☎ 404-297-6690 ✉ Kelly@bowensalesinc.com</p>
--	---	--	--	---

TERMS AND CONDITIONS OF SALE

ORDERING: All orders must be faxed or emailed to Cal-Royal products for confirmation before shipment. Email all orders to **orders@cal-royal.com**

TERMS: Net 30 days.

FREIGHT: Shipments are F.O.B. Commerce warehouse, for orders of \$2000.00 or more, excluding Alaska and Hawaii (\$2500.00 for Western Canada, \$3500.00 for Eastern Canada, \$3000.00 for Puerto Rico, and \$1700.00 for Washington and Oregon) are shipped prepaid within the continental United States and Canada. Orders less than these amounts will be shipped freight prepaid and added to the invoice.

CHANGES, CANCELLATIONS OR SPECIAL ORDERS: Canceled orders are subject to 10% service charge. Changes or cancellations to an order must be in writing and may result in additional charges for labor and/or materials. Changes may result in a delay in the scheduled ship date. Additions to orders will be entered as separate stand-alone orders and must qualify for all terms of sale, including discounts on an individual basis. Changes or deletions resulting in an order size of less than our minimum will not be accepted. Orders for non-cataloged, special or nonstandard items may not be canceled. Factory orders may not be changed within 30 days of the scheduled ship date.

CREDIT APPROVAL: Acceptance of all orders is subject to approval of Cal-Royal Products, Inc. Trade references and banking information must accompany orders from new accounts.

FREIGHT OR SHORTAGE CLAIMS: Customer assumes all delivery risks of loss or damage. If cartons are lost or damaged, immediately contact delivering carrier to make claim. If assistance is needed from Cal-Royal Products, Inc. please contact our Claims Department. Shortage claims must be made within seven working days from receipt of shipment. Cal-Royal Products, Inc. is not responsible or liable for any loss or shortage on merchandise to third party shipping.

RETURN OF MERCHANDISE: Claims for shortages and/or incorrectly filled orders must be filed with Cal-Royal Products, Inc. within 10 days of receipt of material. Price adjustments must also be made in writing to Cal-Royal within 30 days from receipt of invoice. No returned goods will be accepted without written approval from Cal-Royal. Credit will be based on upon the written authorization by Cal-Royal. Such returns must be prominently marked with the return goods authorization number and shipped prepaid. Returns, if approved, will be subject to a minimum restocking charge of 20% for unopened cases of stock product and must be received in mint condition. Non stock materials are not returnable. Under no circumstances is Cal-Royal liable for incidental or consequential damages. Charge-backs will not be allowed. No cash refund given, exchange or replacement only.

STANDARD PACKAGING: We reserve the right to change order quantities to nearest standard package quantities. Broken boxes are subject to an additional 20% service charge.

ACCESSORIAL CHARGES: *ACCESSORIAL CHARGES* for shipments to construction sites / residential & lift gates will be billed @ **\$50.00 min** for PALLET SHIPMENTS.

AUTHORITY OF TERMS AND CONDITIONS: The terms mentioned herein are the only ones Cal-Royal Products, Inc. will honor, and any exceptions must be approved and confirmed by an officer of Cal-Royal Products, Inc. Terms and Conditions of buyer's purchase orders will not be honored unless an agreement is reached in writing beforehand. Cal-Royal Products Inc. has the right to refuse credit to anyone, or has the right to refuse to fulfill any orders. No representations, arrangements or agreements not appearing on the order shall be binding to Cal-Royal Products, Inc.

PRICES: Are subject to change without notice. All errors and omissions subject to correction.

MINIMUM ORDER:
\$50.00 net. Orders under \$50.00 are subject to an \$8.00 service charge. No exceptions.



MERCHANDISE WARRANTY

Goods are warranted against defects in manufacture for one year. The company makes no other warranty, and all implied warranties including any warranty of merchantability or fitness for a particular purpose are limited to the duration of the expressed warranty period as set forth above.

The company's maximum liability hereunder is limited to the purchase price of the products in no event shall the company be liable for any consequential, indirect, incidental or special damages of any nature arising from the sale or use of this product, whether in contract, tort, strict liability or otherwise.

Products will not be accepted for repair or replacement under this warranty unless we have given prior authorization for their return. Upon receipt of products returned for repair or replacement we will determine whether products qualify for repair or replacement under this warranty; if they do not, we will notify our customer of estimated costs of repair or replacement involved and will obtain authorization prior to proceeding. We have no liability to pay any costs of repair performed by anyone other than us, unless in each instance we have given prior written approval of such repair in which case we will pay what we consider to be the reasonable cost thereof.

All materials and finishes meet ANSI /BHMA standards at time of shipment. We do not warrant finishes exposed to hostile environments, such defect has been caused by corrosion or ordinary wear and tear.

CAL-ROYAL LIFETIME LIMITED WARRANTY

The Cal-Royal Products listed below are warranted against defects in mechanical workmanship and 3 year finish warranty for the life of the opening into which they are installed. This warranty is valid only if the products are installed according to the manufacturers' explicit directions, are the correct application for the opening in question (i.e.: a grade 2 lock is not acceptable in a school or university application) and those products that require adjustment at installation are adjusted correctly. It is assumed that if either the door or frame components in the opening has been violated and therefore the Warranty of those Cal-Royal products in that opening would be null and void. It is also assumed by this Warranty that those products that require periodic adjustment or maintenance are receiving that attention through the life of the opening.

This warranty DOES NOT COVER:

1. Abuse or vandalism
2. Products used in an incorrect application
3. Scratches or normal wear in a products finish (Does not cover US10B/613)
4. Products that have been improperly installed or adjusted
5. Any Product installed in a hostile environment causing premature corrosion, wear and tear
6. The cost incurred in removing and installing a replacement product. Upon return of defective product to Cal-Royal Products, Cal-Royal may repair or replace the product or refund the purchase price. Cal-Royal is not liable for incidental or consequential damages.

The products that are covered by the above Lifetime Limited Warranty are:

1. All commercial Grade Hinges.
2. Genesys, Calypso, Omega, NM Series Grade 1 Locks – Mortise and Cylindrical Locksets.
3. Apollo, Columbus, HIL, Pioneer, Commander, Challenger, Explorer, Barrington, Polygon Grade 2 Locksets.
4. CRB Series Grade 1 & CB160, T300 Series Grade 2 Deadbolts.
5. 900, CR441, CR801 / CR801S, 300, 700 Series Grade 1 Door Closers.
6. 7700, 9800 and 2200 Series Grade 1 Exit Devices.

Cal-Royal Locksets, Door Closers, Exit Devices and Door Hardware are designed to provide the highest standard of product quality and performance. To maintain a long-lasting finish great care should be taken. Constant use and exposure to elements and high traffic would require cleaning on a regular basis.



Product Warranty



EXIT DEVICE TRIMS WARRANTY

LIMITED WARRANTY: Cal-Royal Products (CRP) warrants that its products are free from defects in workmanship and material under normal use and service.

1. All Cylindrical Trims (5 years)
2. Escutcheon Trims (3 years)
3. All 8000 Series Exit Trims (1 year)
4. All Electrified trims (1 year)

ELECTRIFIED HARDWARE WARRANTY (2 YEARS LIMITED WARRANTY)

LIMITED WARRANTY: Cal-Royal Products (CRP) warrants that its products are free from defects in workmanship and material under normal use and service. Since CRP does not control product usage, CRP makes no representation as to the degree of security conveyed by the use of any product. This warranty does not cover defects or damage which occur from improper maintenance, improper storage, improper installation, shipping and handling, ordinary wear and tear, misuse, abuse, accidents, unauthorized service, work done by others or consequential damages.

CRP will not pay for the cost of repair performed other than in accordance with this warranty. CRP can only perform authorized warranty work at the factory. CRP's only liability, in tort or contract, whether under this warranty or otherwise, is limited to providing repair or replacement of any product or component part which is proven to be defective as covered by the warranty, within three (3) years after delivery from CRP to the original purchaser. Written notice of a product or component part believed to be defective, as covered by this warranty, should be sent to Cal-Royal Products 6605 Flotilla St, Commerce, CA 90040.

Include Claimant's name, address, phone, and identification of the product, invoice number and date, and a brief description of the defect. Upon receipt of such notice, a CRP representative will contact claimants to where to ship such product or component part, with shipping charges prepaid for examination, and in the event such examination reveals a defect covered by this warranty, the product will be repaired or replaced. This warranty is in lieu of all other express warranties. To the extent permitted by law, all implied warranties are limited to the duration of this warranty.

CRP shall not be liable for any incident or consequential damages. Some states do not allow limitations on how long an implied warranty lasts or the exclusion or limitation of incidental or consequential damages, so the above may not apply to you. This warranty gives you specific legal rights, and you may have other rights, which vary, from state to state.

HEAVY DUTY KEYLESS DOOR LOCKS, DIGITAL KEYPAD LOCKSETS AND DEADLOCKS WARRANTY

1. CRCODE007, CRCODE101, CRCODE200 SERIES KEYLESS DOOR LOCKS
Goods are warranted to be free from manufacturing defects in material and workmanship which carries a ONE YEAR Limited Warranty on Electronic Series Locks (CRCODE007) and a TWO YEAR Limited Warranty on Mechanical Series Locks (CRCODE101, CRCODE202, CRCODE203, CRCODE204) and its conditions, limits and policies.
2. CR3000, PL7100, RS2100, CR6000, CR9000 DIGITAL KEYPAD DOOR LOCK
Goods are warranted against defects in manufacture for two (2) years after the date of manufacture. The company makes no other warranty, all implied warranties including any warranty of merchantability or fitness for a particular purpose are limited to the duration of the expressed warranty period as set forth above.
3. DB5000, DB9000, ZWDB-10 (Z-wave) DIGITAL KEYPAD DEADLOCK WARRANTY
Goods are warranted against defects in manufacture for two (2) years after the date of manufacture for mechanical parts and one (1) year for electronic parts. The company makes no other warranty; all implied warranties including any warranty of merchantability or fitness for a particular purpose are limited to the duration of the expressed warranty period as set forth above.

The company's maximum liability hereunder is limited to the purchase price of the products in no event shall the company be liable for any consequential, indirect, incidental or special damages of any nature arising from the sale or use of the product, whether in contract, tort, strict liability or otherwise. Seller's warranty shall not be enlarged, diminished or affected by no obligation or liability shall arise out of Seller's rendering of technical advice or services in connection with Buyer's order of the goods furnished hereunder.

This warranty DOES NOT COVER:

1. Abuse or vandalism
2. Products used in a wrong application
3. Scratches or normal wear in a products finish (Does not cover US10B/613)
4. Products that have been improperly installed or adjusted
5. Any products installed in a hostile environment causing premature corrosion, wear and tear
6. The cost incurred in removing and installing a replacement product. Upon return of defective product to CAL-ROYAL Products, CAL-ROYAL may repair or replace the product or refund the purchase price. CAL-ROYAL is not liable for incidental or consequential damages.

TERMS AND CONDITIONS FOR LITES AND LOUVERS

1. **Limited Warranty:** Lites and Louver products shall be warranted for a period of five years from the date of the first delivery provided by CAL-ROYAL. The warranty is based upon the product being used with the application of the hardware for which it was designed and that it meets the standard industry specifications provided by CAL-ROYAL, if any, so as long the products are installed and used as followed, and are free from defects in material and workmanship. This warranty is limited to the replacement or repair at the option of CAL-ROYAL.
2. CAL-ROYAL will not be subjected to any other or future liability and claims for defects and damages occurred from improper installation, adjustment, lack of maintenance, accidents, improper shipping and handling, use with unauthorized parts, or inappropriate product specifications. CAL-ROYAL will not be responsible for the costs of replacement or repair performed other than in accordance to this warranty. No other warranty indicated or implied is valid.
3. The Purchaser agrees to pay CAL-ROYAL all sums properly invoiced to Purchaser for the products that are absolute and unconditional. Payments that are due by the Purchaser shall not be withheld, or delayed in any under circumstances.
4. **Claims:** Any claim submitted by the Purchaser with reference to the products shall be considered waived by the Purchaser unless submitted in writing in accordance to this paragraph. Upon receipt of the products, the Purchaser shall inspect it immediately, prior to any installation or use of such products. Any products that are subject to claim for defects or shortages, the Purchaser shall provide a written notice to CAL-ROYAL within fourteen days after the Purchaser's receipt of shipment. Otherwise, the products shall be deemed finally accepted and inspected by the Purchaser.
5. **Additional Terms:** Acceptance of the products shall be limited to the terms and conditions that are stated herein. Any terms and conditions included in the Purchaser's purchase order or acceptance that are in addition to, or are in conflict with, the terms and conditions stated herein shall not become a part of the agreement between the Purchaser and CAL-ROYAL unless approved and confirmed by an authorized officer of CAL-ROYAL.
6. Glazing products, and Glass replacements are not included in this warranty.

TERMS AND CONDITIONS FOR SLIDING DOOR HARDWARE

Limited Warranty: Sliding Door and Barn Door Hardware products shall be warranted for a period of five years from the date of the first delivery provided by CAL-ROYAL. The warranty is based upon the product being used with the application of the hardware for which it was designed and that it meets the standard industry specifications provided by CAL-ROYAL, if any, so as long the products are installed and used as followed, and are free from defects in material and workmanship. This warranty is limited to the replacement or repair at the option of CAL-ROYAL.

FINISH MAINTENANCE AND CARE

CAL-ROYAL RECOMMENDS THAT THE UNIT AND ITS FUNCTIONS BE TESTED REGULARLY

Despite excessive testing, and due to but not limited to, any or all of the following; electrical or communications disruption, criminal tampering, it is possible for the unit to fail to perform as expected. CAL-ROYAL does not represent that the product may not be compromised or circumvented; or the product will prevent any property loss, personal injury, robbery, fire or otherwise; nor the product will in all circumstances provide adequate warning or protection. A properly installed and maintained locking device may only reduce the risk of burglary, robbery, fire or otherwise, but this is not an assurance that these events will not occur. Seller shall have no liability for any loss, property damage, personal injury based on a claim that the unit/product failed to give warning. It is therefore the obligation of the installer to advise or inform the consumer to take any or all precautions for his or her safety including, but not limited to, fleeing the premises and calling the proper authorities in order to mitigate the possibilities of harm, injury and/or damage.

CAL-ROYAL is not liable of either the property or safety of the user's family, employees, and limits its liability for any loss or damage including incidental or consequential to CAL-ROYAL's original selling price of the product regardless of the cause of such loss or damage.

Products will not be accepted for repair or replacement under this warranty unless we have given prior authorization for their return. Upon receipt of products returned for repair or replacement, we will determine whether products qualify for repair or replacement under this warranty; if they do not, we will notify the customer of estimated cost of repair or replacement involved and will obtain authorization prior to proceeding. We have no liability to pay any cost of repair performed by anyone other than us, unless in each instance we have given prior written approval of such repair in which case we will pay what we consider to be reasonable cost thereof.

In the event of a defective product, contact the security professional who installed and maintains your security system. In order to abide by this warranty, the defective product must be returned by the security professional, shipping costs prepaid and insured to CAL-ROYAL. After replacement or repair of the product, CAL-ROYAL assumes the cost of returning products under warranty. CAL-ROYAL shall have no obligation under this warranty, or otherwise, if the product has been repaired by others, improperly installed, improperly used, abused, altered, damaged, subject to accident, nuisance, flood, fire or acts of nature. CAL-ROYAL will not be responsible for any dismantling, reassembly or re-installation charges.

All materials and finishes meet ANSI / BHMA standards at time of shipment. We do not warrant fixes exposed to hostile environments, such defect has been caused by corrosion or ordinary wear and tear.

This warranty and remedies set forth above are exclusive and in lieu of all others, oral or written, expressed or implied. No dealer, distributor, agent or employee is authorized to make any modification or addition to this warranty.

Some states do not allow the exclusion or limitation of implied warranties or limitation of liability for incidental or consequential damages, so the above limitation or exclusion may not apply to you.

FINISH CARE

Finishes on all products are produced to the highest quality standards to ensure they stay in perfect order year after year. However, some finishes can deteriorate if they are exposed to corrosive vapors, coastal air, salt spray or high humidity. Brass finishes are susceptible to tarnishing if they come in contact with air, moisture or wet paint, particularly in exterior locations. To overcome this, it is wise to coat all external brass finishes with a non-abrasive furniture or car wax immediately after installation, and to remove all locks before painting doors. Regular wiping with a soft cloth, occasional polishing with a non-abrasive furniture or car wax and take care not to scratch the protective finish on brass fittings will also prevent tarnishing.

- US3 (Polished Brass), US4 (Satin Brass), US5 (Antique Brass), US10 (Satin Bronze), US10A (Antique Bronze), US15 (Satin Nickel), US15A (Satin Nickel Oxidized), ALUMINUM, DURO, GOLD lacquered or clear-coated finishes can simply be cleaned by wiping with a clean soft damp (not wet) cloth. A mild soap may be lightly used if very dirty. Particular care should be taken to avoid using lacquer thinners, caustic soaps, abrasive cleaners or polishes as these could damage the coating and result in tarnishing. Initial care for finishes requires only periodic cleaning with mild non-abrasive soap and light buffing with a soft cloth.
- PVD (Physical Vapor Deposition) is a technologically advanced finish coating that provides the most surface protection against environmental elements and everyday wear and tear. PVD matches clear-coated finishes in appearance, yet surpasses them in durability. PVD finishes protect against corrosion, tarnish, wear, discoloring

FINISH MAINTENANCE AND CARE

and peeling for the lifetime of the part to which it has been applied. This kind of finish can be maintained by wiping with a clean soft damp cloth.

- US10B (Oil Rubbed Bronze) finishes can be wiped with a small amount of vegetable or mineral oil on a soft cloth. Excessive oil may cause residue to come off on contact with hands or clothing materials and would even attract dusts that would eventually become grime. Household detergents and mild abrasive powder may be used to restore the high metal color without seriously affecting the original compound of the metal. Then rub with a paste of wax.
- US26 (Bright Chrome), US26D (Satin Chrome), US32 (Stainless Steel) and US32D (Satin Stainless Steel) can be maintained by wiping with a clean soft damp cloth. A high-grade chrome polish may be used according to directions to clean and restore the original shine and satin finish.
 - Depending on the environment where the product is used, blemishes can appear on stainless steel products to help prevent this occurring, clean once a month. Blemishes on satin stainless steel may be removed by rubbing with a suitable stainless cleaner/polish wadding polish. Ensure rubbing occurs in the same direction as to the grain itself.

MAINTENANCE

Cal-Royal Locksets, Exit Devices and Door Closers were designed and manufactured to be maintenance-free under normal operating conditions and environments. Exposure to extremely heavy traffic and/or particularly dusty and dirty environmental conditions, however, may eventually cause unsatisfactory operation due to slow-moving parts or sticking cylinders. In this case, it may be necessary to clean and re-lubricate the lockset to maintain optimum performance.

Locksets

- To clean the lockset mechanism, use a non-corrosive substance or a penetrating or solvent type lubricant to loosen sticking components, then lubricate with lithium grease, silicone or Teflon based lubricant
- Do not use lubricant in cylinder (oil or aerosol type)

Cylinders

- When key becomes "sticky" in cylinder, you may sprinkle a small amount of graphite onto the key and then insert the key inside cylinder
- To free sticking or jammed cylinders, lubricate with graphite or a non-oily lubricant (such as Lock-EZE)
- Do not use petroleum-based lubricants in the cylinder keyway. WD-40 or oil will collect dirt over time, and a liquid might even freeze in the lock if weather is cold enough. Graphite is the common choice, the powdered version of molybdenum disulfide would work as well
- Do not use lubricant in cylinder (oil or aerosol type)

STAINLESS STEEL - CARE & MAINTENANCE GUIDE

Stainless steel is a high class material which guarantees longevity and minimal wear. However, stainless steel does not mean "stain" free. It can weather a lot of corrosive environment, but will inevitably succumb to some form of corrosion, including patch rusts.

The main difference between a stainless steel and carbon steel is the amount of chromium present. Carbon steel rusts immediately when exposed to air and moisture. It may take longer for stainless steel to corrode, but it will definitely do if not properly maintained.

We recommend cleaning with available commercial cleansing agents. Avoid using steel wool, steel brushes or similar accessories when cleaning as these harm the protective surface and extraneous rust may arise from the abrasion.

Some commercial products are also available that provides a non-stick protective coating that seals the surface, allowing for easier cleaning and maintenance like:

- EnduroShield Stainless Steel Coating
- Sprayon Stainless Steel Protective Coating
- ProtectaClear, by Everbrite

NOTE: Cal-Royal does not sell these products.

ARCHITECTURAL FINISH GUIDE

ITEM NO: **FINCAP**
 INCLUDES 8 PIECES FINISHED CAPS
\$13.50 EACH LIST



US3/605-632
POLISHED BRASS



US5/609-638
ANTIQUE BRASS



US10B/613-640
ANTIQUE BRONZE OILED



US11P
VENETIAN BRONZE



US15/619-646
SATIN NICKEL



US32D/630
SATIN STAINLESS STEEL



US26D/626-652
SATIN CHROME



US26/625-651
POLISHED CHROME

OTHER FINISHES (not included in FINCAP)



US4/606-633
SATIN BRASS



US10A/614-641
ANTIQUE BRONZE LACQUERED



ELECTRO STATIC
POWDER COATED WHITE



US15A/620-647
SATIN NICKEL OXIDIZED



US10/612-639
SATIN BRONZE



USP/600
PRIME COAT



US14B
BRIGHT BLACK NICKEL



US17A/621-648
SATIN BLACK NICKEL



INDEX TO US. FINISHES

US	DESCRIPTION	B.H.M.A. FINISH STANDARDS		
		BASE MATERIAL		
		STEEL	300 Series Stainless Steel	Brass/ Bronze
US1B	Bright Japan	601	N/A	601
US1DM	Dead black-bright brass bearings and tips	N/A	N/A	N/A
US2C	Zinc plated, commercial	602	N/A	N/A
US2CD	Zinc plated, satin	603	N/A	N/A
US2G	Zinc plated, gov, spec.	603	N/A	N/A
US2H	Hot dipped galvanized	N/A	N/A	N/A
US3	Bright brass	632	N/A	605
US4	Satin brass	633	N/A	606
US5	Satin brass, oxidized	638	N/A	609
US7	Bright brass, nickel oxidized and highlighted	636	N/A	610
US9	Bright bronze	637	N/A	611
US9A	Bright bronze, no lacquer	N/A	N/A	N/A
US10	Satin bronze	639	N/A	612
US10A	Antique bronze lacquered	641	N/A	614
US10B	Antique bronze, oiled	640	N/A	613
US14	Bright nickel	645	N/A	618
US14A	Bright nickel, oxidized and highlighted	N/A	N/A	N/A
US14B	Bright black nickel	N/A	N/A	N/A
US15	Satin nickel	646	N/A	619
US15A	Satin, nickel, nickel oxidized and highlighted	647	N/A	620
US17A	Black nickel dull	648	N/A	621
US20	Statuary bronze, light	649	N/A	623
US20A	Statuary bronze, dark	650	N/A	624
US26	Bright chromium plated	651	N/A	625
US26D	Satin chromium plated	652	N/A	626
US32	Stainless steel metal, bright	N/A	629	N/A
US32D	Stainless steel metal, satin	N/A	630	N/A
OC	Antique copper	N/A	N/A	N/A
USP	Prime coat, grey	600	N/A	600
GY	Grey enamel	N/A	N/A	N/A
LS	"Luma Sheen" (R)	689	N/A	689
L1	"Luma Color" (R) black	693	N/A	693
L2	"Luma Color" (R) dark bronze	695	N/A	695
L3	"Luma Color" medium bronze	694	N/A	694



To: Cal-Royal Customers

In our continuing effort to better serve you, our valued customers, we are pleased to announce the implementation of order status and shipping information via email.

You can now receive the following information by email:

- Purchase Order Confirmations
- Tracking Numbers (**Assign only 1 email address**)
- Product Specials
- New Product Updates
- Sales Orders
- RMA's
- Invoices
- Monthly Statements

Please print your contact names and their email addresses, and choose which documents you want to receive

ACCOUNT#						
COMPANY NAME						
TEL . NO.						
CONTACT NAME	EMAIL ADDRESS	UPS (ONLY 1)	AR STATEMENT	RMA	SALES ORDER	INVOICE

FAX to 1-800-222-3316 or 1-323-888-6699
or EMAIL to customers@cal-royal.com



CAL-ROYAL PRODUCTS, INC.

6605 FLOTILLA STREET, CITY OF COMMERCE, CA 90040

TEL: (323) 888-6601 ♦ FAX: (323) 888-6699

(800) 876-9258 ♦ (800) 222-3316



CREDIT APPLICATION

DATE: _____

Company Name _____

BILLING ADDRESS _____

CITY: _____ STATE: _____ ZIP: _____

Shipping Address _____

CITY: _____ STATE: _____ ZIP: _____

This is a Commercial Residential address

PHONE: _____ FAX: _____

Type of Business: _____ Years at present location: _____

Type of Organization Private Corporation Partnership Public Corporation
 Individual Other _____

Email Address _____

Principals			
NAME	PHONE	HOME ADDRESS	PHONE #

Bank Reference
Bank: _____ Account # _____
Address: _____ Phone # _____

Trade References (Minimum of 3 With fax #)

NAME	ADDRESS	PHONE #	FAX #

Credit Limit Requested _____
NEED MONTHLY STATEMENT EMAILED TO YOU? YES (e-mail address: _____) NO
In making this application for credit, the customer agrees to pay all invoices within 30 days from date of invoice and to pay a service charge of 1.5% per month, which is an annual percentage rate of 18% on all overdue balances. In the event a suit is necessary to collect any amount, the customer agrees the non-prevailing party will reimburse prevailing party for reasonable attorney fees and costs including attorneys fees for appeal.

Signature ▶▶▶ _____ **Title:** _____ **Date:** _____

◆◆◆ OFFICE USE ONLY ◆◆◆	
Credit limit \$	Account #
Date approved:	CR#
Signature:	Discount:
Reps Signature	Date



RMA# _____

MUST BE ON ALL PACKAGES BEING RETURNED.
SO WE CAN CREDIT YOUR ACCOUNT
ACCORDINGLY.

RETURN MERCHANDISE REQUEST FORM

1. Please complete the information requested below, so we can issue your RMA#.
2. All information must be completed (**invoice# or your PO# important to fill out**) or requests for credits and/or returns will not be processed. Incomplete requests will not be processed.
3. When completed please fax back attention customer service to fax you back with RMA #. All returns are subject to restocking fee/re-box fee based upon condition of the material. Active items will be credited in full
4. Upon inspection. The RMA# provided is valid for 30 days only. If material has not been returned within the 30 days period, the RMA will then be void and payment is due.
5. Return products can only be returned within 90 days of invoiced date. No exceptions.

All boxes must have a copy of this form inside each box and be marked with RMA# issued.

COMPANY NAME: _____ **ACCT#** _____

CONTACT: _____ **DATE:** _____

PHONE#: _____ **FAX#:** _____

ORDER #	PO#	INVOICE#	ITEM#	QTY	REASON FOR RETURN	OFFICE USE ONLY FOR APPROVAL

ACTION REQUIRED

RETURN FOR CREDIT

REPLACE

OTHER _____

COMMENTS:

PLEASE FAX RMA FORM TO CONFIRM PROCESSING

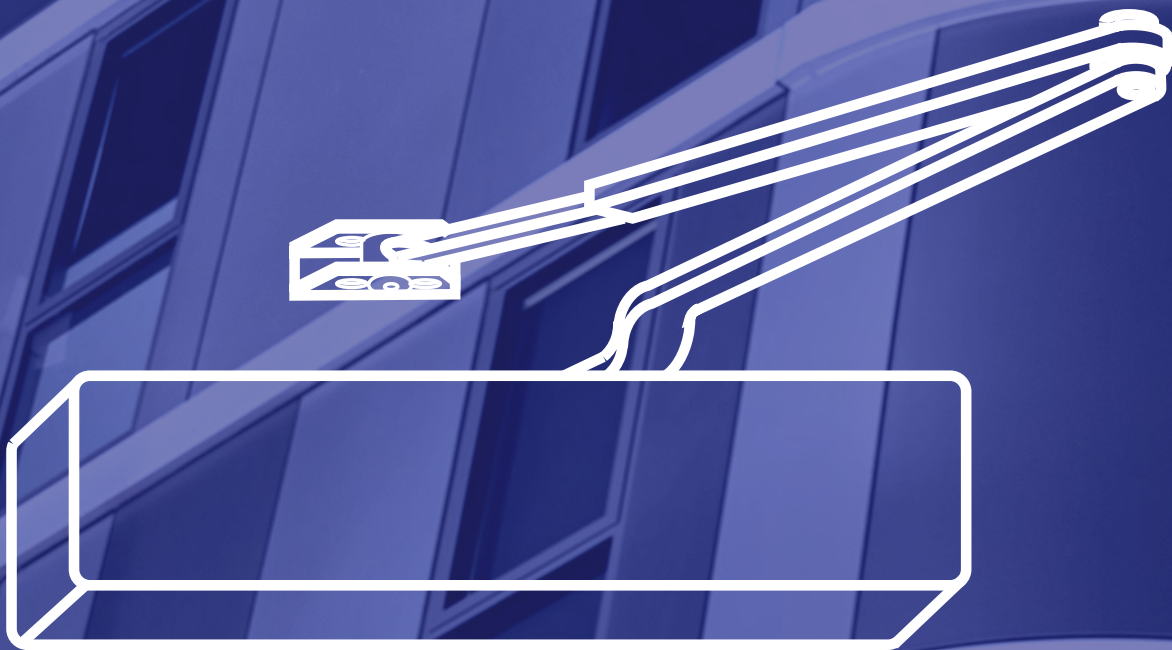
CUSTOMER SIGNATURE: _____ **DATE:** _____

DATE FAXED: _____

CAL-ROYAL PRODUCTS, INC.
6605 FLOTILLA STREET CITY OF
COMMERCE, CA 90040
TEL: 323-888-6601 FAX: 323-888-6699
EMAIL: orders@cal-royal.com

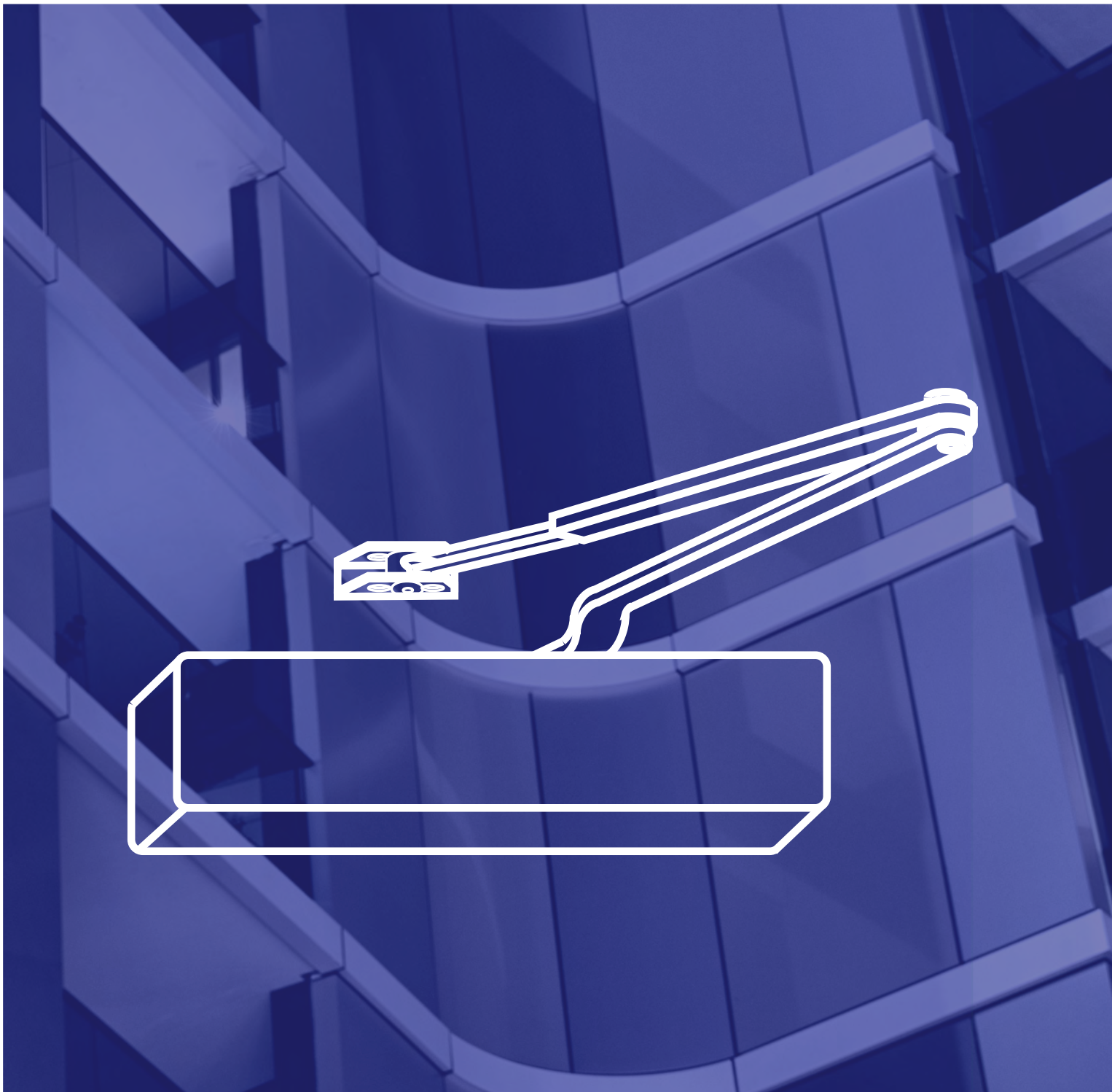


DOOR CLOSERS

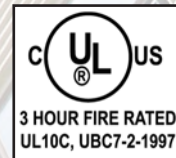




DOOR CLOSERS



DOOR CLOSERS



CAL-ROYAL PRODUCTS, INC.
6605 Flotilla St., Commerce, CA 90040 U.S.A.
Tel: (323) 888-6601 Fax: (323) 888-6699
Website: www.cal-royal.com Email: sales@cal-royal.com

TABLE OF CONTENTS

I. CAL-ROYAL DOOR CLOSERS PRODUCT COMPARISON	DC1	MOUNTING INFORMATION	
II. REFERENCE & APPLICATION	DC2	Parallel Arm (Push Side).....	DC23
III. 900 SERIES	DC3	Regular Arm (Pull Side).....	DC22
ACCESSORIES	DC7	Top Jamb (Push Side).....	DC22
OPTIONAL INSTALLATION		VI. 500 SERIES	DC25
Parallel Arm (Push Side).....	DC6	ACCESSORIES	DC28
Regular Arm (Pull Side).....	DC5	OPTIONAL INSTALLATION	
Top Jamb (Push Side).....	DC5	Parallel Arm (Push Side).....	DC28
MOUNTING INFORMATION		Regular Arm (Pull Side).....	DC28
Parallel Arm (Push Side).....	DC5	Top Jamb (Push Side).....	DC28
Regular Arm (Pull Side).....	DC4	MOUNTING INFORMATION	
Top Jamb (Push Side).....	DC4	Parallel Arm (Push Side).....	DC27
IV. CR441 SERIES	DC8	Regular Arm (Pull Side).....	DC26
ACCESSORIES	DC12	Top Jamb (Push Side).....	DC26
OPTIONAL INSTALLATION		VII. 700 SERIES	DC29
Parallel Arm (Push Side).....	DC11	ACCESSORIES	DC32
Regular Arm (Pull Side).....	DC10	OPTIONAL INSTALLATION	
Top Jamb (Push Side).....	DC10	Parallel Arm (Push Side).....	DC32
MOUNTING INFORMATION		Regular Arm (Pull Side).....	DC32
Parallel Arm (Push Side).....	DC10	Top Jamb (Push Side).....	DC32
Regular Arm (Pull Side).....	DC9	MOUNTING INFORMATION	
Top Jamb (Push Side).....	DC9	Parallel Arm (Push Side).....	DC31
IV. CR801 / CR801S SERIES	DC16	Regular Arm (Pull Side).....	DC30
ACCESSORIES	DC20	Top Jamb (Push Side).....	DC30
OPTIONAL INSTALLATION		VIII. 400 SERIES	DC33
Parallel Arm (Push Side).....	DC19	ACCESSORIES	DC36
Regular Arm (Pull Side).....	DC18	OPTIONAL INSTALLATION	
Top Jamb (Push Side).....	DC18	Parallel Arm (Push Side).....	DC36
MOUNTING INFORMATION		Regular Arm (Pull Side).....	DC36
Parallel Arm (Push Side).....	DC18	Top Jamb (Push Side).....	DC36
Regular Arm (Pull Side).....	DC17	MOUNTING INFORMATION	
Top Jamb (Push Side).....	DC17	Parallel Arm (Push Side).....	DC35
V. 300 SERIES	DC21	Regular Arm (Pull Side).....	DC34
ACCESSORIES	DC24	Top Jamb (Push Side).....	DC34
OPTIONAL INSTALLATION		IX. DFG888 CONCEALED GLASS FLOOR DOOR CLOSER	
Parallel Arm (Push Side).....	DC24	Floor Closer & Top Patch.....	DC37
Regular Arm (Pull Side).....	DC24	Optional Pivots.....	DC37
Top Jamb (Push Side).....	DC24		



MEETS
The Buy American Act

(900 Series Only. Specify Made in Korea when ordering)

LIFETIME
WARRANTY



900 Series



CR441 Series



CR801 Series



CR801S Series



300 Series



500 Series



700 Series



400 Series

CAL-ROYAL DOOR CLOSERS PRODUCT COMPARISON

MODEL	GRADE	SIZE	DOOR WEIGHTS (LBS)	FULL COVER	BARRIER FREE	DELAYED ACTION	BACK CHECK	ARM						WARRANTY	MOUNTING		
								HOLD OPEN	REGULAR	PARALLEL	SUPER RIGID	TRACK	TRACK (HOLD-OPEN)		REGULAR ARM (PULL SIDE)	PARALLEL ARM (PUSH SIDE)	TOP JAMB (PUSH SIDE)
N900PBF	1	1-6	30 - 260	FULL STD	Y	n/a	STD	O	Y	O	O	O	O	LT	Y	Y	Y
N900PBFDA						STD											
CR441	1	1-6	30-260	FULL STD	Y	n/a	STD	O	Y	O	O	O	O	LT	Y	Y	Y
CR441 / TNDM			260-520														
CR441DA			30-260			STD											
CR441DABC						STD											
CR441EHO						n/a											
CR801S	1	1-6	30-260	SLIM STD	Y	n/a	STD	O	Y	O	O	O	O	LT	Y	Y	Y
CR801SDA				STD													
CR801				FULL STD		n/a											
CR801DA						STD											
300PCOV	1	3-6	85-260	FULL STD	Y	n/a	STD	O	Y	O	n/a	n/a	n/a	LT	Y	Y	Y
300PBFCOV		1-4	30-185														
300PBFDA COV																	
500PBF	1	1-5	30-260	O	Y	n/a	STD	O	Y	O	n/a	n/a	n/a	LT	Y	Y	Y
720	1	2	55-100	O	n/a	n/a	n/a	O	Y	O	n/a	n/a	n/a	LT	Y	Y	Y
730		3	88-143				STD										
730BC		4	120-187				n/a										
740							STD										
740BC							n/a										
750		5	176-265				n/a										
750BC							STD										
420-P	2	2	55-100	O	n/a	n/a	n/a	O	Y	O	n/a	n/a	5 Yrs	Y	Y	Y	
SM430-P		3	88-143				n/a										
430-P							STD										
430-PBC							-										
440-P							4										120-187

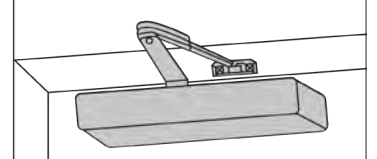
O - Optional | Y - Yes / Available | STD - Standard | LT - Lifetime | FULL - Full cover | SLIM - Slim cover | *Not BHMA Certified



APPLICATION

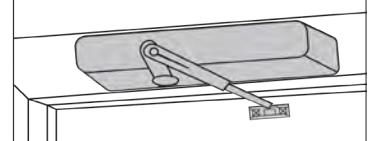
REGULAR ARM (PULL SIDE)

Regular arm mount is a pull side application with double lever arm. The closer mounts on the door and the arm mounts to the frame. It provides the most efficient operation for a door control and is commonly used on in-swing doors from corridors or other interior doors. Regular arm mount is a poor choice for exterior out-swinging doors as it would put the closer on the exterior of the building. The arm assembly projects directly out from the frame. That may be a concern for vandalism or aesthetics. Regular arm application can be used with non-hold open or hold open arms.



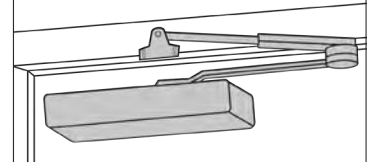
TOP JAMB (PUSH SIDE)

Top jamb mount is a push side double lever arm application that offers the best alternative to regular arm mount. The closed mounts to the frame and the arm mounts to the door. This application is commonly used on exterior out-swing doors. It is a poor application for in-swinging doors from a corridor as it places the closer arm in a visible application projecting into the corridor. The arm projects out similar to regular arm mount. Therefore, it can be a concern for vandalism or aesthetics. Top jamb application can be used with non-hold open arms.



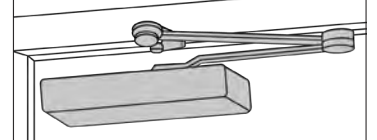
PARALLEL ARM (PUSH SIDE)

Parallel arm mount is a push side double lever arm application. The closer is installed on the push side of the door and the arm is mounted to a parallel arm adapter plate installed to the frame soffit. The arm is approximately parallel with the face of the door, eliminating the projection condition evident with regular arm and top jamb applications. Parallel arm is often preferred where aesthetics or vandalism are concerns. Parallel arm is less efficient than regular or top jamb mounts due to the geometry of the arm. Parallel arm application can be issued with non-hold open or hold open arms.



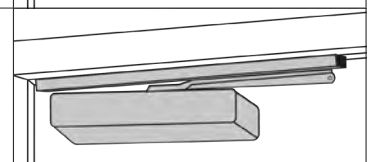
PARALLEL ARM (PUSH SIDE) WITH STOP ARM

The parallel stop arm mount is an enhanced version of the parallel arm application. It is similar to the parallel arm mount but incorporates a heavy duty rigid arm and soffit plate with limiting dead stop. The dead stop feature is field handed. The closer's back-check function should be adjusted to cushion the impact of the stop. The parallel stop arm is intended for use when an auxiliary stop cannot be utilized. The parallel stop arm is available in non-hold open and hold open applications.



TRACK ARM

The "Non-Handed" track arm mount incorporates a single forged main arm for installation in high use, high abuse door applications. Its low profile helps prevent damage.



CAL-ROYAL DOOR CLOSERS CROSS REFERENCES CHART

CAL-ROYAL	CORBIN RUSSWIN	DORMA	DOR-O-MATIC	GLOBAL	HAGER	LCN	NORTON	PDO	PARKER	SARGENT	TAYMOR	YALE
900 FULL COVER	DC3200	8600FC	SC80FC	TC600	5200	1460FC	8501	5100 / 5500	---	1431	1900	3501
CR441	DC3000 / DC6200	8900	SC70	TC4300	5100	4041	9500	7100	441BC	281 / 350	---	4400
CR801S SLIM COVER	DC3200 X M76	8600	SC80	TC500	5200SLC	1460-72	8301	---	---	1430	---	3301
CR801 FULL COVER	DC3200	8600FC	SC80FC	TC400	5200FC	1460FC	8501	5300	---	1431	---	3501
300	---	640 / 7300 / 7400	---	---	5300	1070 / 1370	1600	3100	900	1130	---	50
500	---	640 / 7300 / 7400	---	---	5300	1070 / 1370	1600	---	900	1130	---	50
700	4600	640	---	TC2200	5400	---	9300	---	500	---	600	2300
400	4600	640	---	TC300	5400	---	9300	---	500	---	500	2300

The data on this chart represents our judgment of which are most similar. Since no two products are exactly alike, it is not guaranteed nor represented that any specific product exactly equals any other product. Door closer body sizes may be different. The information used in this table has been obtained from trade sources.

900 SERIES

ANSI 156.4 Grade 1, Full Cover, Multi-Size Full Feature Closer
UL Listed, Conforms to Standards UL10C and UBC7-2-1997
BHMA Certified Lifetime Warranty



MEETS
The Buy American Act

(900 Series Only. Specify Made in Korea when ordering)

LIFETIME WARRANTY



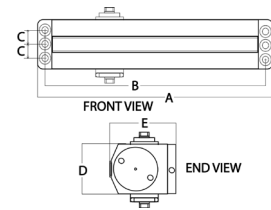
- Cal-Royal's Finest Hydraulic Door Closer Series Meeting The Highest Industry Standards Grade 1
- Heavy-Duty Full Feature Multi-Size Commercial Door Closer For Use In Office Buildings, Shopping Center And Other Commercial Buildings
- Standard Back-Check Function
- Full Plastic Cover Is Standard Feature (Metal Optional)
- Optional Plated Decorative Covers Are Available Including 32D
- Optional Adjustable Delayed Action For Handicapped or Elderly

FEATURES

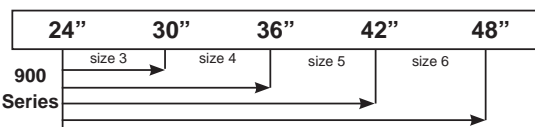


- Hydraulic Door Closer
- ANSI 156.4 Grade 1: UL Listed for Fire Door Assemblies
- Universal Application. Non-Handed for Standard, Top Jamb or Parallel Arm Installation
- Non-Sized, 1 thru 6 FACTORY PRESET SIZE 3
- Door Weights: 30-260 lbs (All Models)
- Standard Adjustable Back-Check Function
- Adjustable Closing and Latching Speed by Two Separate Regulating Valves
- 6 Attaching Holes for Extra Secure Mounting to Door or Frame
- Available in Alum, Duro, Gold, White, US3, 26, 26D, 10, 15, 10B, 32D, 4 and 5 Finishes
- Optional Adjustable Delayed Action (DA). Preset at the Factory for Approximately 20 Seconds, Between 70° and 0° Delay Time Easily Adjusted Up to 1 Minute
- Barrier Free (BF) Meets ADA regulation. Size 1 thru 6 Engineered with Reduced Spring Power to Provide Easier Opening for Handicapped or Elderly

DESCRIPTION	SIZE
A. Length of Closer Body	11 3/4"
B. Horizontal Mounting Holes	11 1/8"
C. Vertical Mounting Holes	9/16"
D. Height of Closer Body	2"
E. Projection from Door	2 7/8"

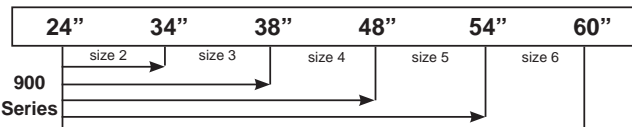


EXTERIOR (and VESTIBULE) DOOR WIDTH



Minimum Door Width

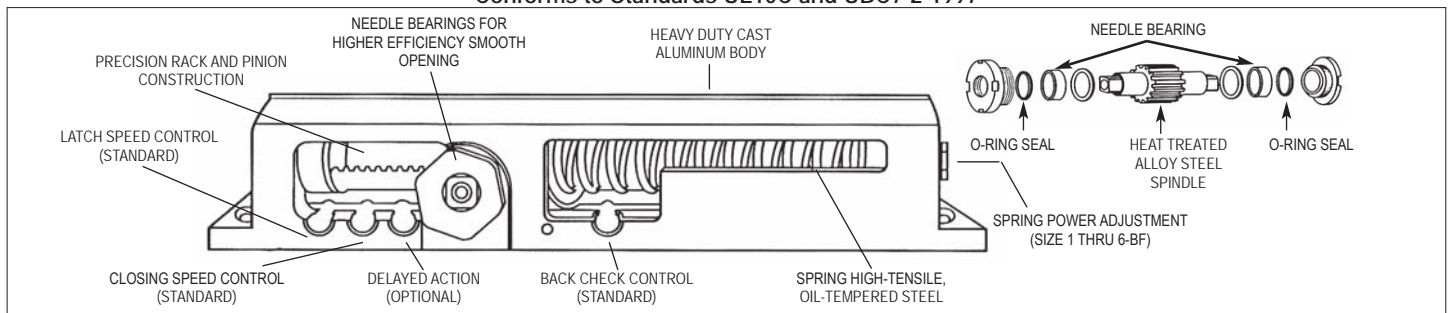
INTERIOR DOOR WIDTH



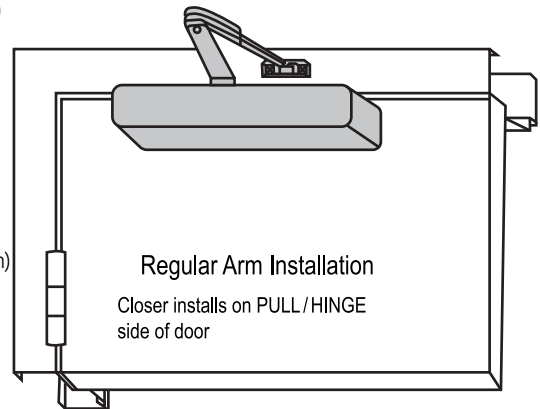
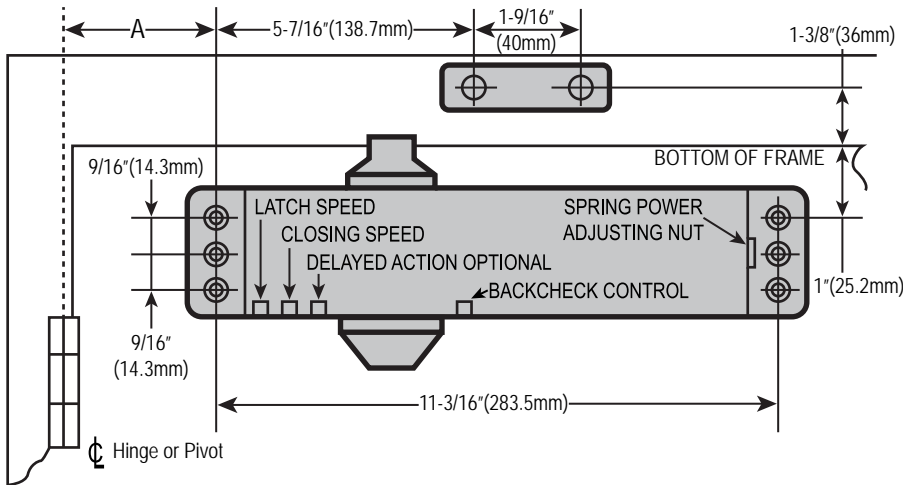
Minimum Door Width

Adjustable Size 1 thru 6

Conforms to Standards UL10C and UBC7-2-1997

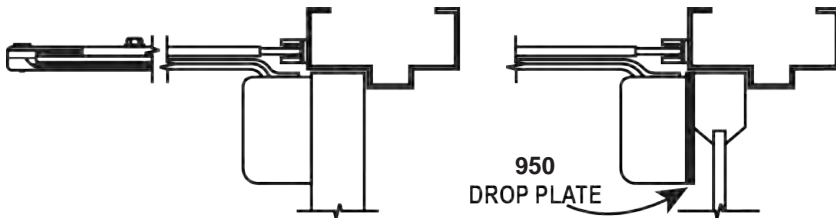


900 SERIES : REGULAR ARM INSTALLATION (PULL SIDE)

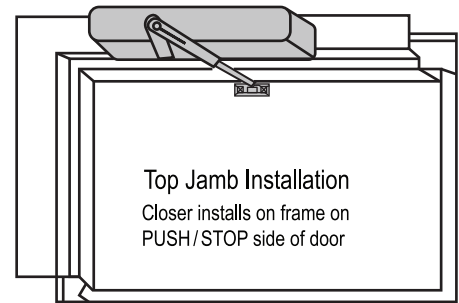
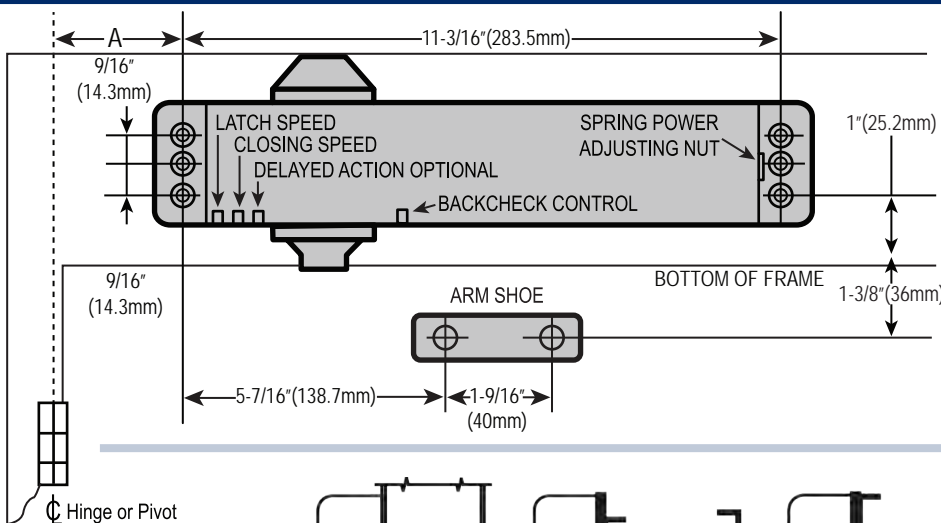


- RIGHT HAND DOOR SHOWN
- LEFT HAND DOOR OPPOSITE
- DIMENSIONS ARE IN INCHES
- DRAWING NOT TO SCALE

OPENING	DIM A
TO 120°	7-3/32 (180mm)
120° - 180°	3-15/16 (100mm)



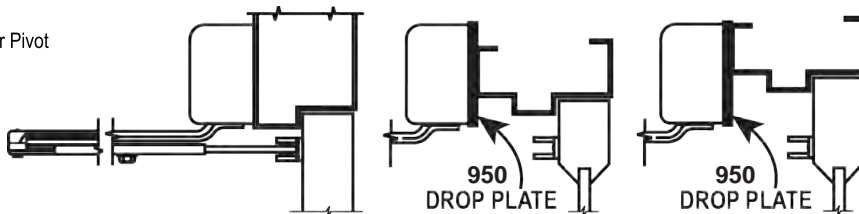
900 SERIES: TOP JAMB INSTALLATION (PUSH SIDE)



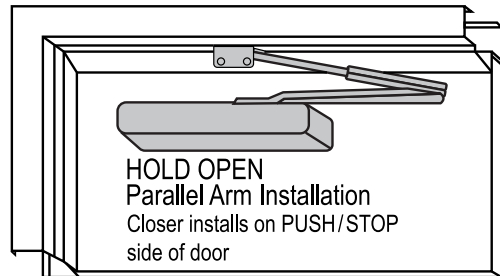
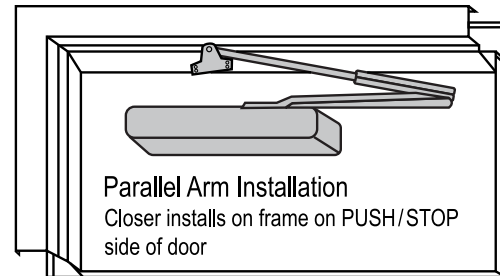
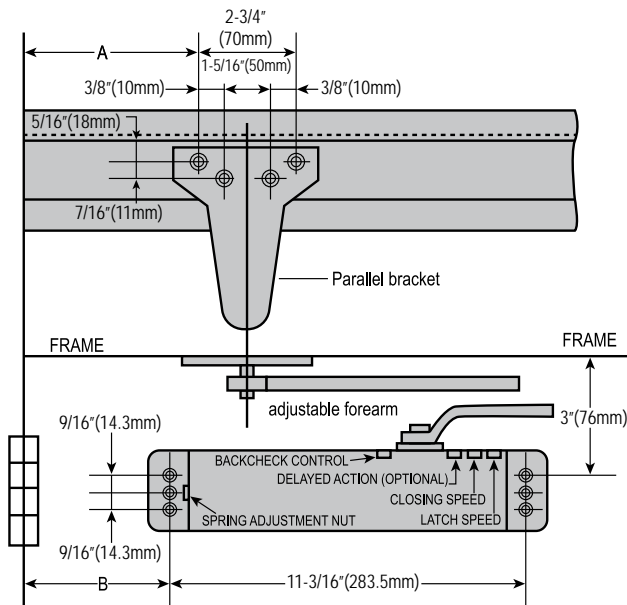
Hinge Edge of Door

- LEFT HAND DOOR SHOWN
- RIGHT HAND DOOR OPPOSITE
- DIMENSIONS ARE IN INCHES
- DRAWING NOT TO SCALE

OPENING	DIM A
TO 120°	7-3/32 (180mm)
120° - 180°	3-15/16 (100mm)

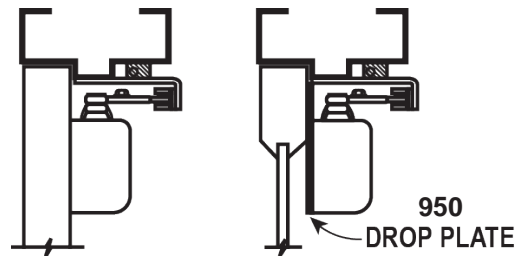


900 SERIES : PARALLEL ARM INSTALLATION (PUSH SIDE)



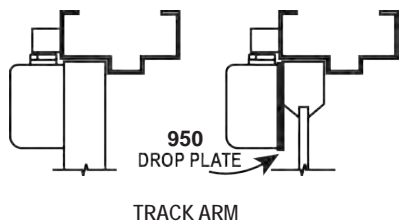
OPENING	DIM A	DIM B
TO 120°	9-1/2(241.5 mm)	6-1/8 (156 mm)
120° - 180°	5-7/8 (149.7 mm)	2-9/16 (65 mm)

- LEFT HAND DOOR SHOWN
- RIGHT HAND DOOR OPPOSITE
- DIMENSIONS ARE IN INCHES
- DRAWING NOT TO SCALE

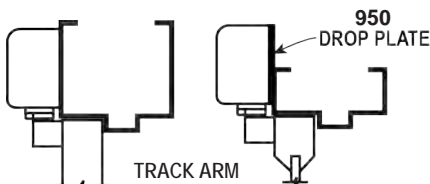


900 SERIES : OPTIONAL INSTALLATION

REGULAR ARM (PULL SIDE)



TOP JAMB (PUSH SIDE)



MAXIMUM OPENING: 180°(Standard), 120° (Hold Open)

OPTIONAL INSTALLATION

ARMS

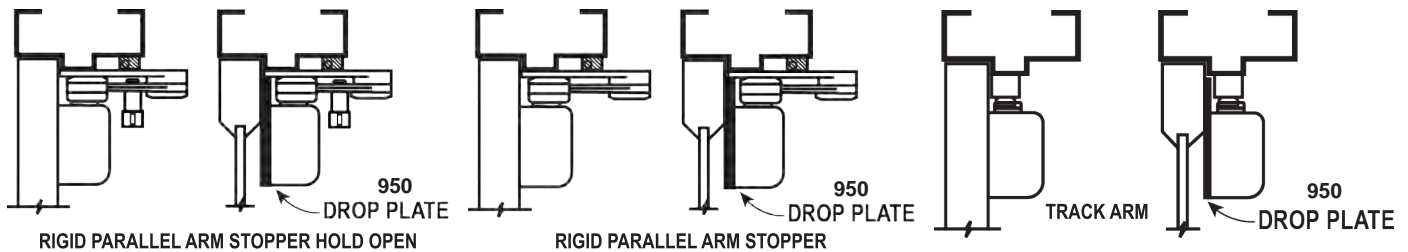
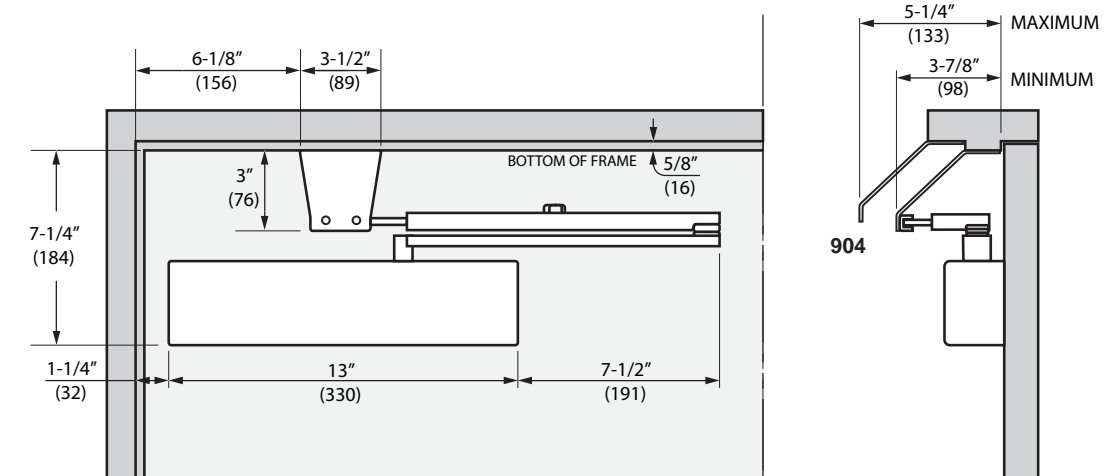
- 901 / 902 - Hold-Open Arm with Parallel Bracket, Non-Handed with Stop in Soffit Shoe
- 900EXT - Extended Long Arm (3" Extension) for Top Jamb with Deep Reveals
- 945AR - Door Closer Arm (Main and Regular Forearm)
- TRACK / 900 - Slide Track Arm with Removable Hold-Open

BRACKETS

- 950 - Flat Drop Plate for Top Rail less than 3 1/2"

900 SERIES : OPTIONAL INSTALLATION

PARALLEL ARM (PUSH SIDE)



MAXIMUM OPENING: 180° (Standard), 120° (Hold Open)

OPTIONAL INSTALLATION

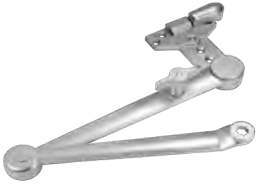
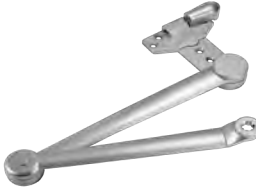
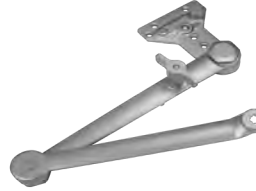















ARMS

- 900HOSPRING - Super Rigid Parallel Arm Stopper Hold-Open, Non-Handed with Spring Loaded Stop in Soffit Shoe
- 900SPRING - Super Rigid Non-Handed Parallel Arm with Spring Loaded Stop in the Soffit Shoe
- HOSRPS900 - Super Rigid Parallel Arm Stopper Hold-Open, Non-Handed with Stop in Soffit Shoe
- SPAS900 - Super Rigid Parallel Arm Stopper, Non-Handed with Stop in Soffit Shoe
- 901 / 902 - Hold-Open Arm with Parallel Bracket, Non-Handed with Stop in Soffit Shoe
- 900EXT - Extended Long Arm (3" extension) for Top Jamb with Deep Reveals
- 945AR - Door Closer Arm (Main and Regular Forearm)
- TRACK / 900 - Slide Track Arm with Removable Hold-Open

BRACKETS

- 904 - Parallel Arm Drop Bracket for Non-Hold Open Parallel Arm Applications to Clear a Surface-Applied Stop / Holder
- 905 - Parallel Arm Bracket
- 950 - Flat Drop Plate for Top Rail less than 3 1/2"

900 SERIES ACCESSORIES

				
900HOSPRING	900SPRING	HOSRPS900	SPAS900	CR900HDAR
<ul style="list-style-type: none"> • Super rigid parallel arm stopper with hold-open • Forged Steel Constructions • Non-handed • Spring loaded stop in soffit shoe • Handle controls hold-open function • Equivalent to <i>LCN SPRING H-CUSH ARM</i> 	<ul style="list-style-type: none"> • Super rigid parallel arm stopper • Forged Steel Constructions • Non-handed parallel arm • Spring loaded stop in the soffit shoe • Equivalent to <i>LCN SPRING CUSH ARM</i> 	<ul style="list-style-type: none"> • Super rigid parallel arm stopper with hold-open • Forged Steel Constructions • Non-handed with stop in soffit shoe • Handle controls hold-open function • Equivalent to <i>LCN H-CUSH ARM</i> 	<ul style="list-style-type: none"> • Super rigid parallel arm stopper • Forged Steel Constructions • Non-handed with stop in soffit shoe • Equivalent to <i>LCN CUSH-N-STOP ARM</i> 	<ul style="list-style-type: none"> • Non-handed parallel arm • Forged Steel main arm and forearm • For potentially abusive installations
				
901 / 902	945AR	900EXT	TRACK / 900	904
<ul style="list-style-type: none"> • Hold-open arm with parallel bracket • Forged Steel Constructions • Non-handed with stop in soffit shoe 	<ul style="list-style-type: none"> • Forged Steel main and forearm • Non-handed • Door closer arm (Main and regular forearm) 	<ul style="list-style-type: none"> • Extended long arm (3" extension) • Non-handed • For top jamb with deep reveals 	<ul style="list-style-type: none"> • Slide track arm • With removable hold-open clip • Non-handed 	<ul style="list-style-type: none"> • Parallel arm drop bracket • Non-handed • Required for non-hold open parallel arm applications • To clear a surface-applied stop / holder
				
905	950	900COV	900MET	900SMET
<ul style="list-style-type: none"> • Parallel arm bracket • Non-handed 	<ul style="list-style-type: none"> • Flat drop bracket • Non-handed • Required for hinge mount where top rail is less than 3 1/2" • Plate requires 1 3/4" minimum head frame • Available in powder coat finishes 	<ul style="list-style-type: none"> • Full Cover • Non-handed • Plastic material 	<ul style="list-style-type: none"> • Optional full metal cover • Non-Handed • Metal material • Aluminum stock finish 	<ul style="list-style-type: none"> • Slim Cover • Non-Handed • Metal material • US32D Stainless Steel stock finish
				
970138	970	706		
<ul style="list-style-type: none"> • Sex bolts for 1 3/8" doors • Female part only • 1/4" - 20 (set of 4) • For Steel Door Application 	<ul style="list-style-type: none"> • Sex bolts • Female part only • 1/4" - 20 (set of 4) • For Steel Door Application 	<ul style="list-style-type: none"> • Thru bolts and grommet nuts • Set of 4 • For Wood and Aluminum Door Application 		

CR441 SERIES

ANSI 156.4 Grade 1, Full Cover Multi-Size, Full Feature Closer
UL Listed, Conforms to Standards UL10C and UBC7-2-1997
BHMA Certified Lifetime Warranty



- Cal-Royal's Finest Hydraulic Door Closer Series Meeting The Highest Industry Standards, Grade 1
- Heavy-Duty Double Lever Arm With Extra Smooth Action Full Feature Multi-Size Commercial Door Closer For Use In Office Buildings, Shopping Centers and other Commercial Buildings
- Standard Back-Check Function
- Full Plastic Cover Is Standard Feature (Metal Optional)
- Optional Plated Metal Decorative Covers Including 32D
- Optional Adjustable Delayed Action / Barrier Free for Handicapped Or Elderly

FEATURES

- Universal Application. Non-Handed for Standard, Top Jamb or Parallel Arm Installation
- Non-Sized, 1 thru 6 FACTORY PRESET SIZE 3 Meets ADA
- Door Weights: 30-260 lbs
- Hydraulic Door Closer with Standard Adjustable Back-Check Function
- Adjustable Closing and Latching Speed by Two Separate Regulating Valves
- Optional Adjustable Delayed Action (DA) Preset at the Factory for Approximately 20 Seconds, Between 70° and 0° Delay Time Easily Adjusted up to 1 Minute. CR441 DA
- Standard Full Plastic Cover (CR441COV)
- Self-Tapping Screws and Closer Gauge for Easy Adjustment is Standard Feature
- Available in Alum, Duro, Gold, US3, 26, 26D, 10B and 32D

REDUCED OPENING FORCE CR441 DOOR CLOSERS

IMPORTANT Any door closer, including those certified by BHMA to conform to ANSI Standard A156.4, that is chosen, installed and adjusted based on ADA or other reduced opening force requirement may not provide sufficient power to close and latch a door. Location of door could also affect action and efficiency of door closer.

DOOR WIDTH	36"	42"	48"
	**8.5 lbs. **5.0 lbs.	CR441 CR441	CR441 CR441

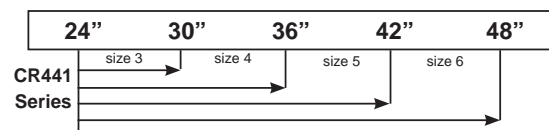
** Maximum Opening Force

TABLE OF SIZES

Closing power of CR441 closers may be adjusted 50%

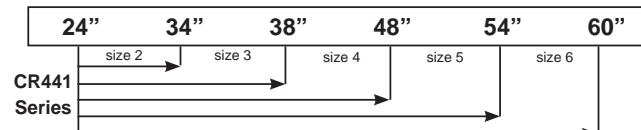
→ Shows recommended range of door width for closer size.

EXTERIOR (and VESTIBULE) DOOR WIDTH



Minimum Door Width

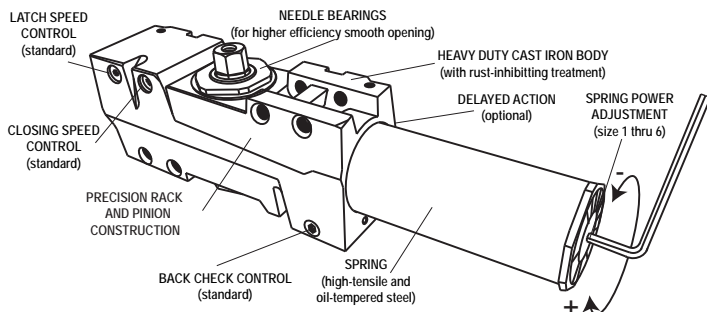
INTERIOR DOOR WIDTH



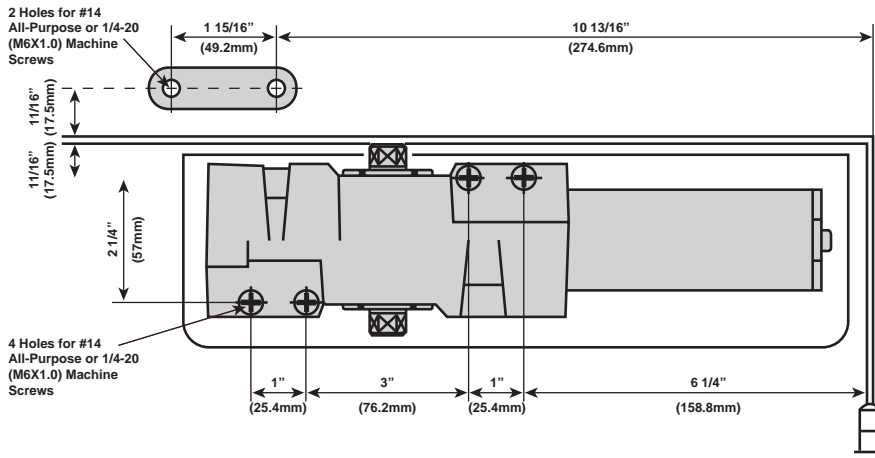
Minimum Door Width

Adjustable Size 1 thru 6

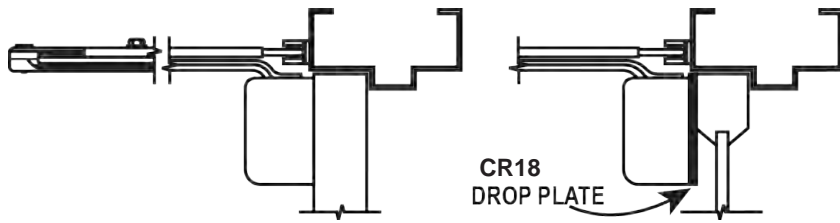
DESCRIPTION	SIZE	
A. Length of Closer Body	11"	
B. Horizontal Mounting Holes	5"	
C. Vertical Mounting Holes	1"	
D. Width of Closer Body	2 3/4"	
E. Projection from Door	2"	



CR441 SERIES : REGULAR ARM INSTALLATION (PULL SIDE)

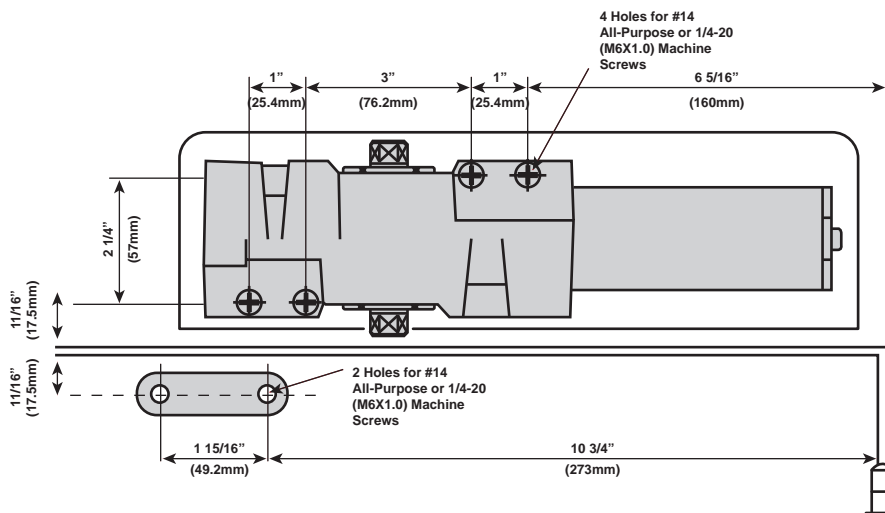


- Butt Hinges should not exceed 5" (127mm) in width.
- **Auxiliary Stop** is recommended at hold-open point or where a door cannot swing beyond 120°
- Reveal should not exceed 3/4" (19mm) for regular arm or hold-open arm.
- **Top Rail** less than 3 3/4" (19mm) requires PLATE, CR18. Plate requires 2" (51mm) minimum.
- Clearance of 2 3/8" (60mm) behind door required for 90° installation.
- **Delayed Action** - Delays closing from 120° to 70°. Delay time adjustable up to approximately 1 minute.
- See **Optional Installation** for ARMS and BRACKETS available on the next page.

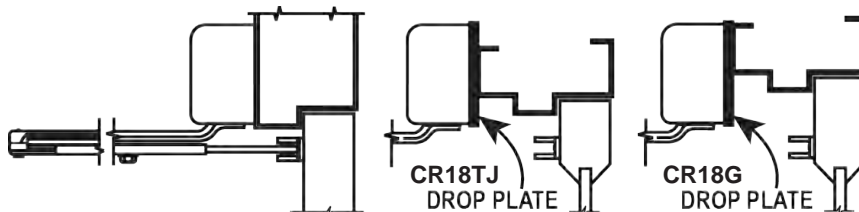


- RIGHT HAND DOOR SHOWN
- SURFACE MOUNTED
- ADJUSTABLE AND PRE-SET BACKSET
- NON-HOLD OPEN / HOLD OPEN

CR441 SERIES : TOP JAMB INSTALLATION (PUSH SIDE)

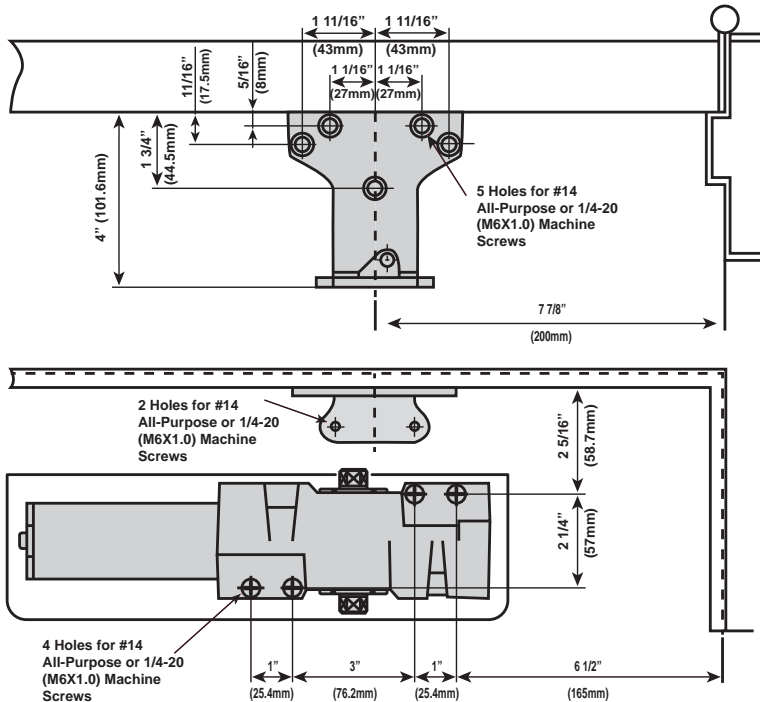


- Butt Hinges should not exceed 5" (127mm) in width.
- **Auxiliary Stop** is recommended at hold-open point or where a door cannot swing beyond 120°
- Reveal of 2 9/16" (65mm) allows 120° opening for regular or standard hold-open arm. 8" (203mm) allows up to 120° opening with CR441EXT.
- **Top Rail** requires 1 1/4" (32mm) minimum. 2 1/4" (57mm) minimum with closer on PLATE, CR18TJ. 3" (76mm) minimum with closer on PLATE, CR18G.
- **Head Frame** less than 3 1/2" (89mm) requires PLATE, CR18TJ. With flush ceiling, use PLATE, CR18G. Either plate requires 1 3/4" (44mm) minimum.
- **Delayed Action** - Delays closing from 120° to 70°. Delay time adjustable up to approximately 1 minute.
- See **Optional Installation** for ARMS and BRACKETS available on the next page.



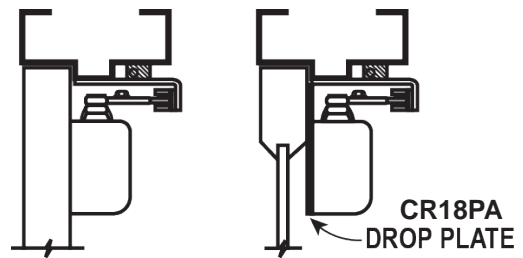
- LEFT HAND DOOR SHOWN
- SURFACE MOUNTED
- ADJUSTABLE AND PRE-SET BACKSET
- NON-HOLD OPEN / HOLD OPEN

CR441 SERIES : PARALLEL ARM INSTALLATION (PUSH SIDE)



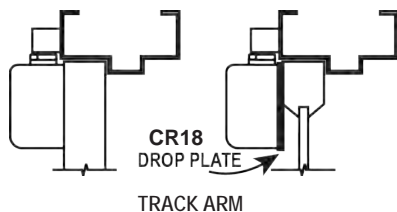
- RIGHT HAND DOOR SHOWN
- SURFACE MOUNTED
- ADJUSTABLE AND PRE-SET BACKSET
- NON-HOLD OPEN / HOLD OPEN

- **Butt Hinges** should not exceed 5" (127mm) in width.
- **Auxiliary Stop** is recommended at hold-open point or where a door cannot swing beyond 180°, or where CR3077SPAS arm is not used.
- **Top Rail** less than 5 3/8" (137mm) measured from the stop requires PLATE, CR18PA. Plate requires 2" (51mm) minimum from the stop.
- **Stop Width** minimum 1" (25mm). CUSH arm requires minimum 1 1/2" (38mm).
- **Delayed Action** - Delays closing from 120° to 70°. Delay time adjustable up to approximately 1 minute.
- See **Optional Installation** for ARMS and BRACKETS available on the next page.

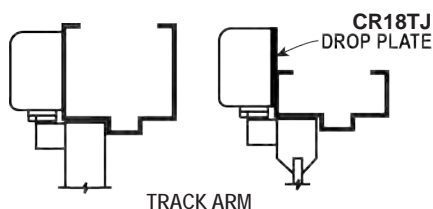


CR441 SERIES : OPTIONAL INSTALLATION

REGULAR ARM (PULL SIDE)



TOP JAMB (PUSH SIDE)



MAXIMUM OPENING: 180° (Standard), 120° (Hold Open)

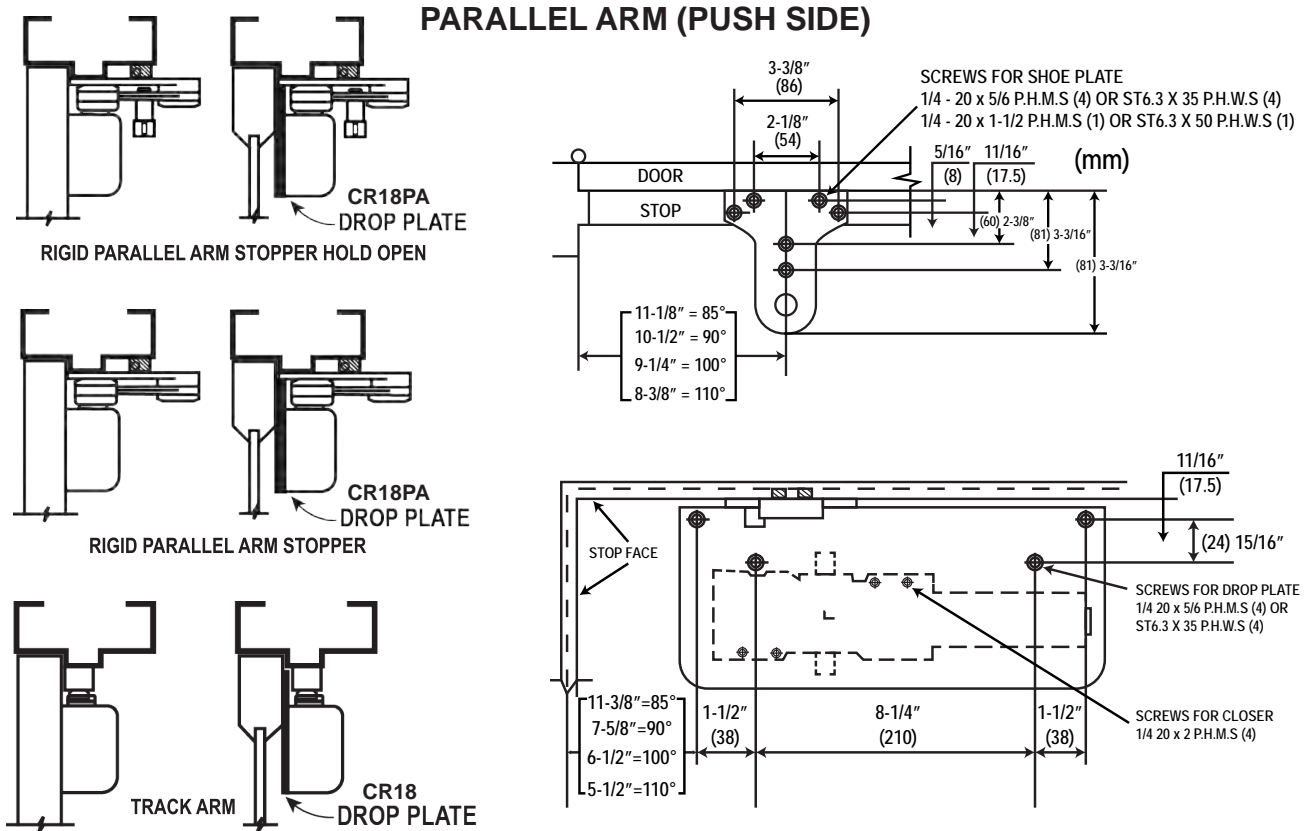
OPTIONAL INSTALLATION

ARMS

- CR3049HO - Non-Handed Hold Open Arm with Parallel Bracket
- CR441ARM - Door Closer Arm (Main and Regular Forearm)
- CR441EXT - Extended Long Arm (3" extension) for Top Jamb with reveals
- TRACK441 - Slide Track Arm with Hold-Open

- CR18PA - Drop Plate for Parallel Arm Mounting Top Rail is less than 5 1/2" Measured from Stop. Plate Requires 2" Minimum Top Rail
- CR18 - Drop Plate used where Top Rail is less than 3 3/4"
- CR18TJ - Drop Plate for Top Jamb where Face is less than 3 1/2"
- CR18G - Drop Plate for Top Jamb Mounted Closer Flush with Top of Head Frame Face in Flush Ceiling Condition. Plate Requires 1 3/4" Minimum Head Frame

CR441 SERIES : OPTIONAL INSTALLATION



MAXIMUM OPENING: 180° (Standard), 120° (Hold Open)

OPTIONAL INSTALLATION ARMS

- CR3049HO - Non-Handed Hold Open Arm with Parallel Bracket
- CR441ARM - Door Closer Arm (Main and Regular Forearm)
- CR441EXT - Extended Long Arm (3" Extension) for Top Jamb with Reveals
- TRACK441 - Slide Track Arm with Hold-Open
- CR3049HOSPRING - Super Rigid Parallel Arm Stopper Hold-Open, Non-Handed with Spring Loaded Stop in Soffit Shoe
- CR3077SPRING - Super Rigid Non-Handed Parallel Arm with Spring Loaded Stop in the Soffit Shoe
- CR3049HOSRPS - Super Rigid Parallel Arm Stopper Hold-Open, Non-Handed with Stop in Soffit Shoe
- CR3049SPAS - Super Rigid Parallel Arm Stopper, Non-Handed with Stop in Soffit Shoe
- CR3077HDAR - Non-Handed Parallel Arm Features Forged, Solid Steel Main and Forearm for Potentially Abusive Installations

BRACKETS

- CR18PA - Drop Plate for Parallel Arm Mounting Top Rail is less than 5 1/2" Measured from Stop. Plate Requires 2" Minimum Top Rail
- CR18 - Drop Plate Used Where Top Rail is less than 3 3/4"
- CR18TJ - Drop Plate for Top Jamb where Face is less than 3 1/2"
- CR18G - Drop Plate for Top Jamb Mounted Closer Flush with Top of Head Frame Face in Flush Ceiling Condition. Plate Requires 1 3/4" Minimum Head Frame
- CR441PA - Parallel Arm Bracket

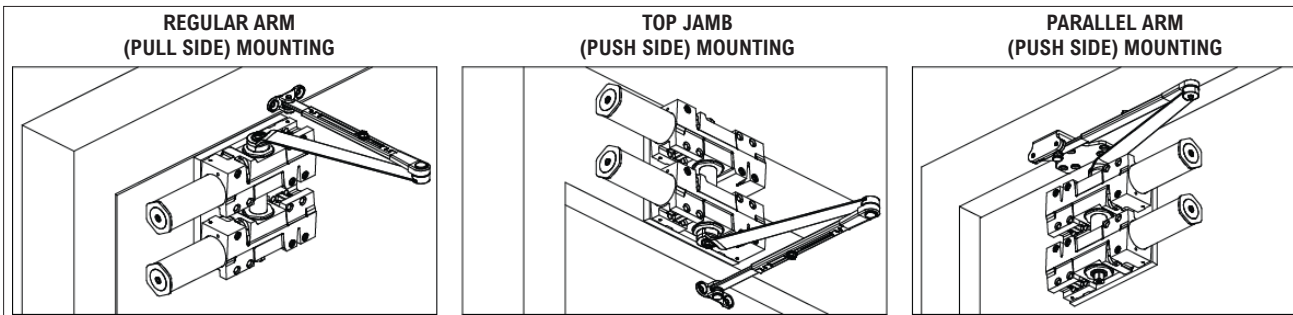
CONCR441 - DUAL CLOSER CONNECTOR KIT



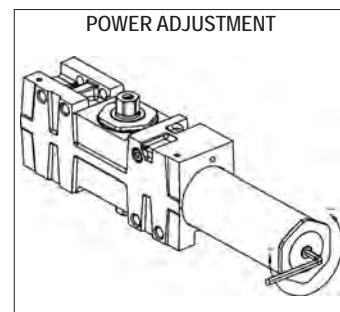
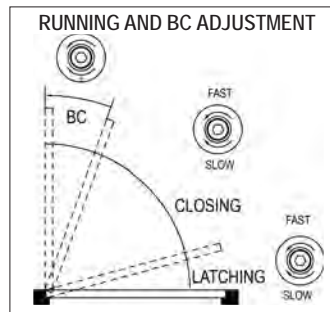
CONCR441KIT
Includes:
Steel Connector
Sleeve Nut,
Steel Mounting Plate,
Screws and Primary
Closer Cover
(Does not include closers)

CR441 / TNDM
includes:
CONCR441KIT,
2 x CR441 Door Closers
(Includes 2 complete boxes
of regular door closers)





POWER ADJUSTMENT AND DOOR WIDTH		
DOOR MAX WIDTH		ADJUSTING NUT AND TURNS
EXTERIOR	INTERIOR	
-----	5 lb-f	-5 (counter clockwise)
8 lb-f	34" (864)	-2 (counter clockwise)
30" (762)	38" (962)	0
36"(914)	48" (1219)	+5 (clockwise)
42" (1067)	54" (1372)	+10 (clockwise)
48" (1219)	60" (1524)	+15 (clockwise)



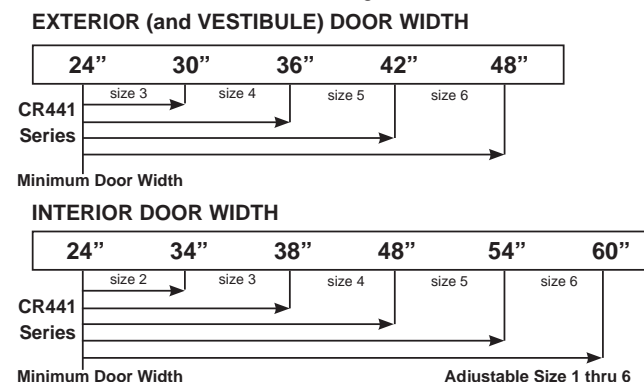
When a single door closer is not strong enough to close a door weighing 260 ~ 520 lbs, the **CONCR441KIT** allows two CR441 Series Grade 1 Door Closers to work as one, by connecting them together with the high-tensile strength steel connector sleeve nut on a steel mounting plate, doubling the strength and the door weight capacity while maintaining the opening force.

FEATURES

- Connects Two CR441 Series Door Closers
- For Doors 260 ~ 520 lbs Weight
- Can be Used for Regular Arm, Top Jamb or Parallel Arm Mounting
- Easy Mounting
- High Tensile Strength Steel Connector Sleeve Nut
- 6 11/16" x 6 11/16" x 3/16" Steel Mounting Plate
- 4" x 1/4" - 20" x 2 1/8" Mounting Screws

TABLE OF SIZES

Closing power of CR441 closers may be adjusted 50%
→ Shows recommended range of door width for closer size.



CR441EHO - CR441 WITH ELECTRONIC HOLD-OPEN TRACK

- Full Cover Multi-size
- Full Feature Closer
- ANSI 156.4 Grade 1
- UL Listed, Conforms to Standards
- UL10C and UBC7-2-1997
- BHMA Certified Lifetime Warranty
- Electronic Hold-Open Track



FEATURES

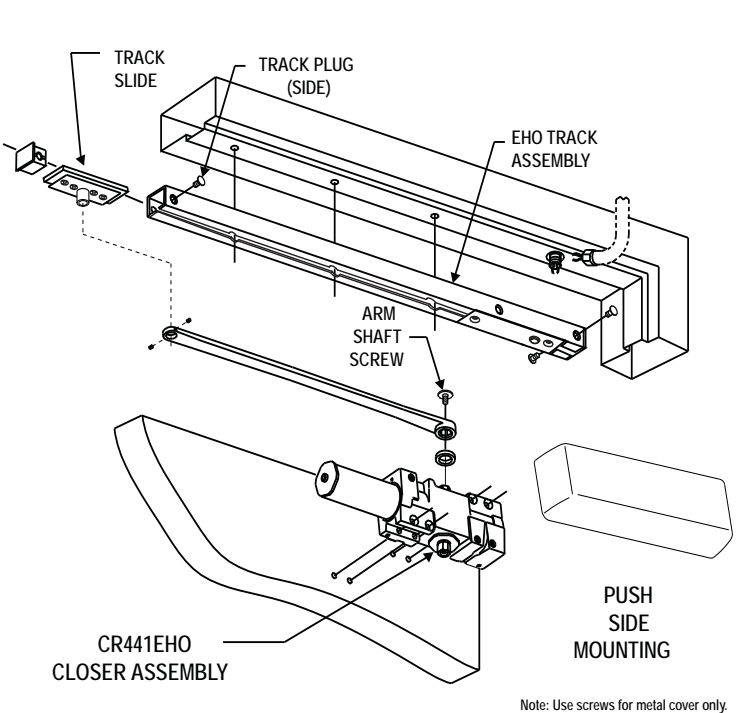
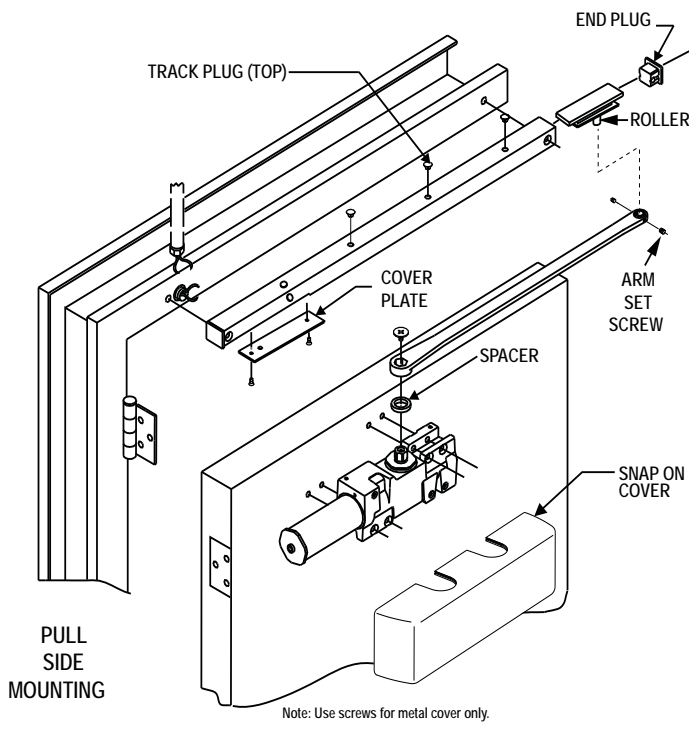
- Heavy Duty Electronic Closer / Holder Track for CR441 Door Closers
- Designed for Single Point Hold-Open for Fire and Smoke Barrier Doors
- Designed to Hold Doors Open in Normal Use and Close Under Fire Conditions
- Adjustable Hold-Open Force
- Functions as a Full Rack and Pinion Closer when Hold-Open is Not Engaged or Current is Interrupted
- Door Opening can be Adjusted on the Track Arm
- Concealed or Surface Wiring
- Interfaces with Alarm Systems
- Mounts on Either Head Frame or Stop
- Non-Handed
- Non-Sized
- 24V AC / DC Input for Holding Solenoid
- Includes Test Switch for Integrity Cycle Test

The CR441EHO is a Grade 1 heavy duty door closer with electrically controlled hold-open track arm. It is designed to provide adjustable hold-open for fire and smoke barrier doors.

Door is held open until current interruption releases mechanism and the door closes. It can also be interfaced to any alarm systems and has a built-in switch for integrity cycle testing.

Single lever (track) arm closer is specifically designed for interior doors.

The CR441EHO series door closer body is UL & cUL listed for smoke barrier or labeled fire doors. Tested and certified under ANSI Standard A156.15. Conforms to life safety code, NFPA 101. BHMA Certified Lifetime Warranty.

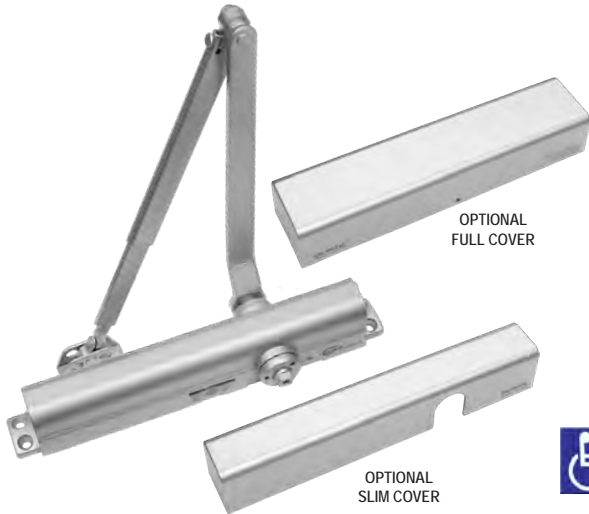


		
<p>3049HOSPRING</p> <ul style="list-style-type: none"> • Super rigid parallel arm stopper with hold-open • Forged Steel Constructions • Non-handed • Spring loaded stop in soffit shoe • Handle controls hold-open function • Equivalent to <i>LCN SPRING H-CUSH ARM</i> 	<p>CR3077SPRING</p> <ul style="list-style-type: none"> • Super rigid parallel arm stopper • Forged Steel Constructions • Non-handed parallel arm • Spring loaded stop in soffit shoe • Equivalent to <i>LCN SPRING CUSH ARM</i> 	<p>CR3049HOSRPS</p> <ul style="list-style-type: none"> • Super rigid parallel arm stopper with hold-open • Forged Steel Constructions • Non-handed with stop in soffit shoe • Handle controls hold-open function • Equivalent to <i>LCN H-CUSH ARM</i>
		
<p>CR3077SPAS</p> <ul style="list-style-type: none"> • Super rigid parallel arm stopper • Forged Steel Constructions • Non-handed with stop in soffit shoe • Equivalent to <i>LCN CUSH-N-STOP ARM</i> 	<p>CR3049HO</p> <ul style="list-style-type: none"> • Hold-open arm with parallel bracket • Forged Steel Constructions • Non-handed with stop in soffit shoe 	<p>CR3077HDAR</p> <ul style="list-style-type: none"> • Non-handed parallel arm • Forged Steel main arm and forearm • For potentially abusive installations
		
<p>CR441ARM</p> <ul style="list-style-type: none"> • Forged Steel main arm and forearm • Non-handed • Door closer arm (Main and regular forearm) 	<p>CR441EXT</p> <ul style="list-style-type: none"> • Extended long arm (3" extension) • Non-handed • For top jamb with deep reveals 	<p>TRACK441</p> <ul style="list-style-type: none"> • Slide track arm • With removable hold-open clip • Non-handed
		
<p>CONCR441KIT</p> <ul style="list-style-type: none"> • CR441 Tandem Connector Sleeve Nut • Mounting Plate • Master Cover • Universal use for regular arm, top jamb, or parallel arm mounting 	<p>CR441 / TNDM</p> <ul style="list-style-type: none"> • 1 each CONCR441KIT • 2 each of CR441 door closers • Universal use for regular arm, top jamb, or parallel arm mounting 	<p>CR441EHO</p> <ul style="list-style-type: none"> • Electronic Hold Open Arm with door closer • Mounts on either head frame or stop • Non-handed • Non-sized • 24V AC / DC input for holding solenoid

				
CR18PA	CR18	CR18TJ		
<ul style="list-style-type: none"> • Drop plate for parallel arm where mounting and top rail is less than 5 1/2" measured from stop • Plate requires 2" minimum top rail • Non-handed 	<ul style="list-style-type: none"> • Drop plate used where top rail is less than 3 3/4" • Non-handed 	<ul style="list-style-type: none"> • Drop plate for top jamb where face is less than 3 1/2" • Non-handed 		
				
CR18G	CR441PA	CRWRENCH		
<ul style="list-style-type: none"> • Drop plate for top jamb mounted closer flush with top of head frame face in flush ceiling condition • Plate requires 1 3/4" minimum head frame • Non-handed 	<ul style="list-style-type: none"> • Parallel Arm Bracket 	<ul style="list-style-type: none"> • Variable-sized hexagonal wrench for CR3049HO Arm 		
				
CR441COV	CR441COV US32D	CR441COVMET28		
<ul style="list-style-type: none"> • Plastic material cover • Non-handed 	<ul style="list-style-type: none"> • Stainless Steel material cover • Non-handed 	<ul style="list-style-type: none"> • Steel material cover • Non-handed • Aluminum stock finish 		
				
CUSSS-61	BLASS-30	970138	970	706
CUSH Shoe Support <ul style="list-style-type: none"> • Provide anchorage for fifth screw used with CUSH arms where reveal is less than 3-1/16" (78 mm) 	Blade Stop Spacer <ul style="list-style-type: none"> • Lower parallel arm shoe to clear 1/2" (13 mm) blade stop 	<ul style="list-style-type: none"> • Sex bolts for 1 3/8" doors • Female part only • 1/4" - 20 (set of 4) • For Steel Door Application 	<ul style="list-style-type: none"> • Sex bolts • Female part only • 1/4" - 20 (set of 4) • For Steel Door Application 	<ul style="list-style-type: none"> • Thru bolts and grommet nuts • Set of 4 • For Wood and Aluminum Door Application

CR801 / CR801S SERIES

ANSI 156.4 Grade 1, Slim / Full Cover Multi-Size, Full Feature Closer
UL Listed, Conforms to Standards UL10C and UBC7-2-1997
BHMA Certified Lifetime Warranty



- Cal-Royal's Finest Hydraulic Door Closer Series Meeting the Highest Industry Standards, Grade 1
- Heavy-Duty Double Lever Arm With Extra Smooth Action Full Feature Multi-Size Commercial Door Closer For Use In Office Buildings, Shopping Centers And Other Commercial Buildings
- Standard Back-Check Function
- Optional Slim / Full Plastic Cover
- Optional Adjustable Delayed Action / Barrier Free For Handicapped Or Elderly

FEATURES

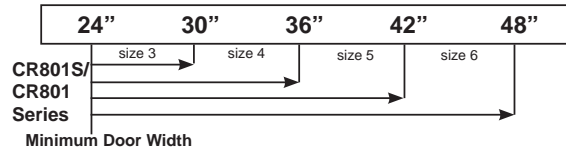
- Hydraulic Door Closer with Standard Adjustable Back-Check Function
- ANSI 156.4 Grade 1: UL Listed for Fire Door Assemblies
- Universal Application. Non-Handed for Standard, Top Jamb or Parallel Arm Installation
- Non-Sized, 1 thru 6 FACTORY PRESET SIZE 3
- Door Weights: 30-260 lbs (All Models)
- Standard Adjustable Back-Check Function
- Adjustable Closing and Latching Speed by Two Separate Regulating Valves
- Standard Full Plastic Cover (CR801)
- Standard Slim Plastic Cover (CR801S)
- Available in Alum, Duro, Gold
- Optional Adjustable Delayed Action (DA). Preset at the Factory for Approximately 20 Seconds, Between 70° and 0°. Delay Time Easily Adjusted Up to 1 Minute
- Barrier Free (BF) Meets ADA regulation. Size 1 thru 6 Engineered with Reduced Spring Power to Provide Easier Opening for Handicapped or Elderly

TABLE OF SIZES

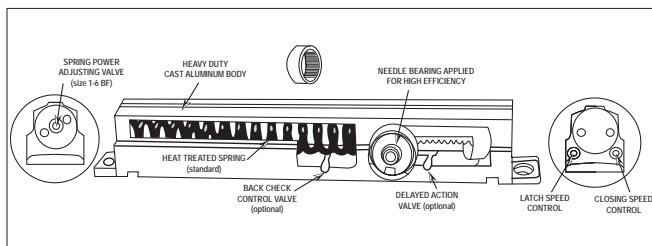
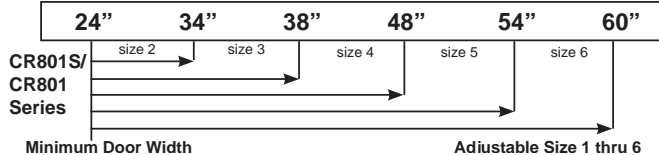
Closing power of closers may be adjusted 50%

→ Shows recommended range of door width for closer size.

EXTERIOR (and VESTIBULE) DOOR WIDTH

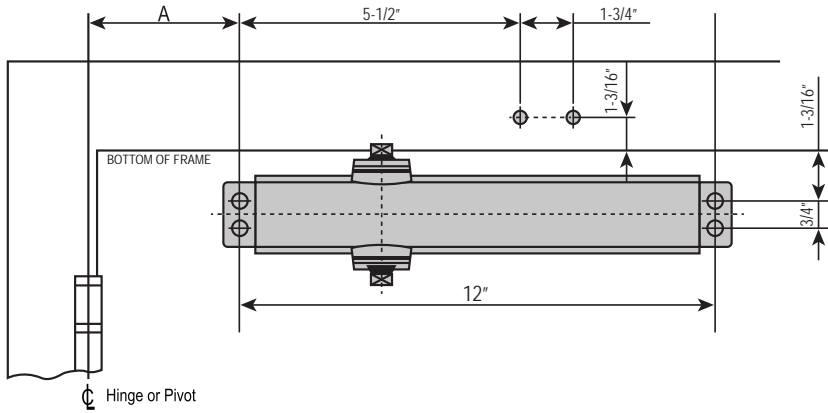


INTERIOR DOOR WIDTH



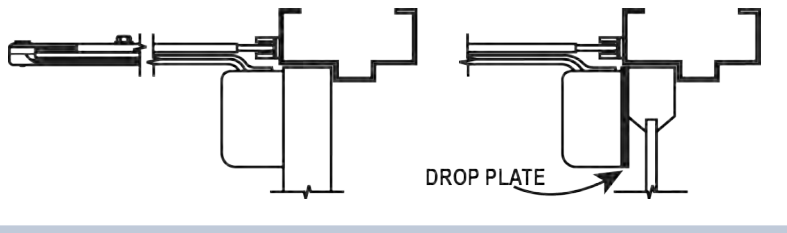
Replacement Hole Pattern Same As Norton 8301 / 8501 and Yale 3301 / 3501		
DESCRIPTION	SIZE	
A. Length of Closer Body	12 3/4"	
B. Horizontal Mounting Holes	12"	
C. Vertical Mounting Holes	3/4"	
D. Height of Closer Body	1 1/4"	
E. Projection from Door	2 1/8"	

CR801 / 801S SERIES : REGULAR ARM INSTALLATION (PULL SIDE)

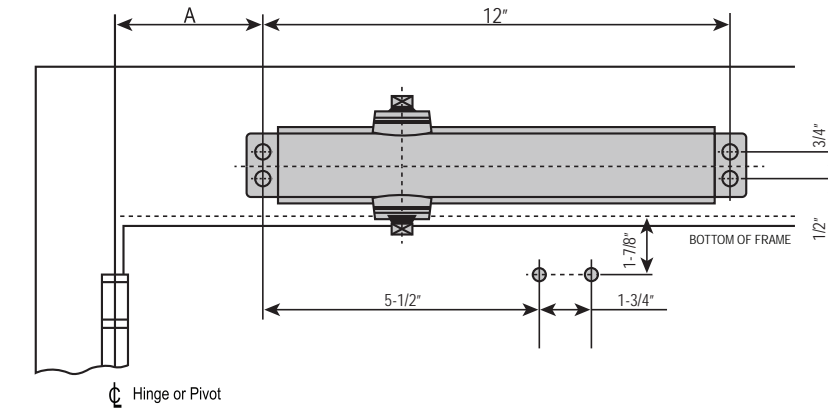


- RIGHT HAND DOOR SHOWN
- LEFT HAND DOOR OPPOSITE
- DIMENSIONS ARE IN INCHES
- DRAWING NOT TO SCALE

OPENING	DIM A
TO 100°	7-1/2" (190.5mm)
TO 130°	6" (152.4mm)
TO 180°	4-1/2" (114.3mm)

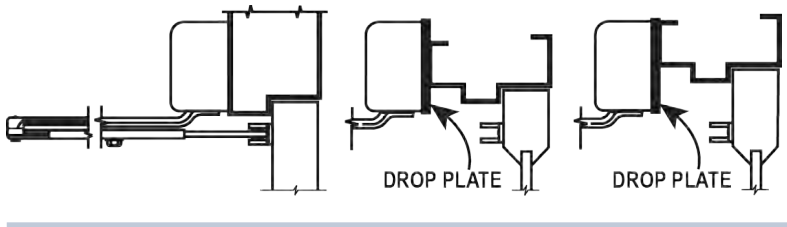


CR801 / 801S SERIES : TOP JAMB INSTALLATION (PUSH SIDE)



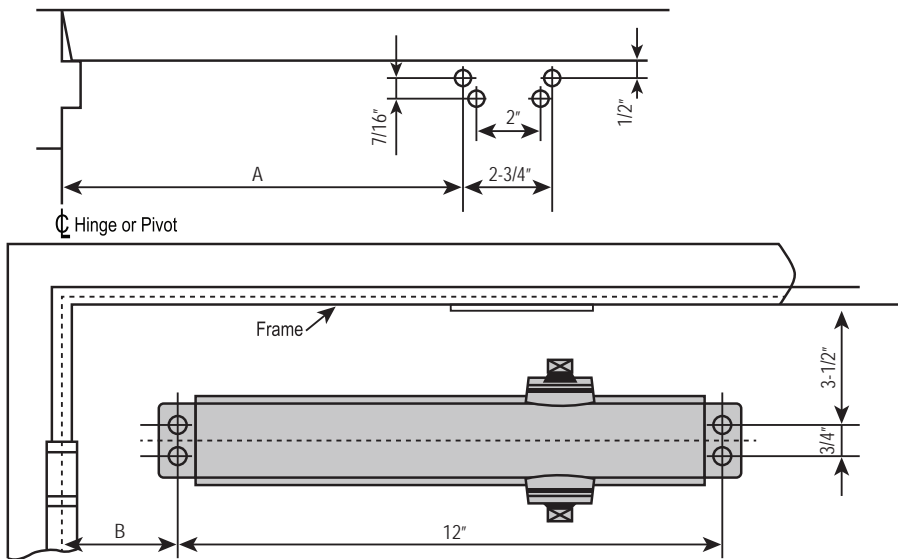
- RIGHT HAND DOOR SHOWN
- LEFT HAND DOOR OPPOSITE
- DIMENSIONS ARE IN INCHES
- DRAWING NOT TO SCALE

OPENING	DIM A
TO 100°	7-1/2" (190.5mm)
TO 130°	6" (152.4mm)
TO 180°	4-1/2" (114.3mm)

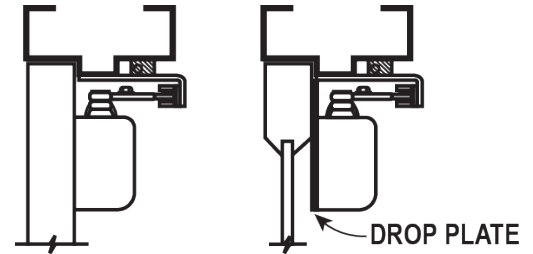


CR801 / 801S SERIES : PARALLEL ARM INSTALLATION (PUSH SIDE)

OPENING	DIM A	DIM B
TO 120°	9-1/2" (241.3mm)	3-3/4" (95.25mm)
TO 180°	7" (177.8mm)	1-1/4" (31.75mm)

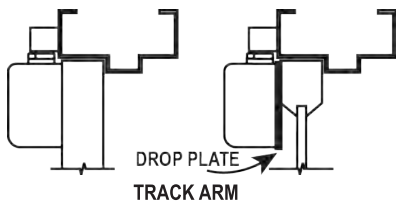


- LEFT HAND DOOR SHOWN
- RIGHT HAND DOOR OPPOSITE
- DIMENSIONS ARE IN INCHES
- DRAWING NOT TO SCALE

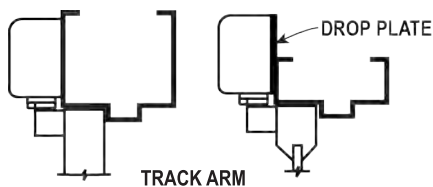


CR801 / 801S SERIES : OPTIONAL INSTALLATION

REGULAR ARM (PULL SIDE)



TOP JAMB (PUSH SIDE)



MAXIMUM OPENING: 180° (Standard), 120° (Hold Open)

OPTIONAL INSTALLATION

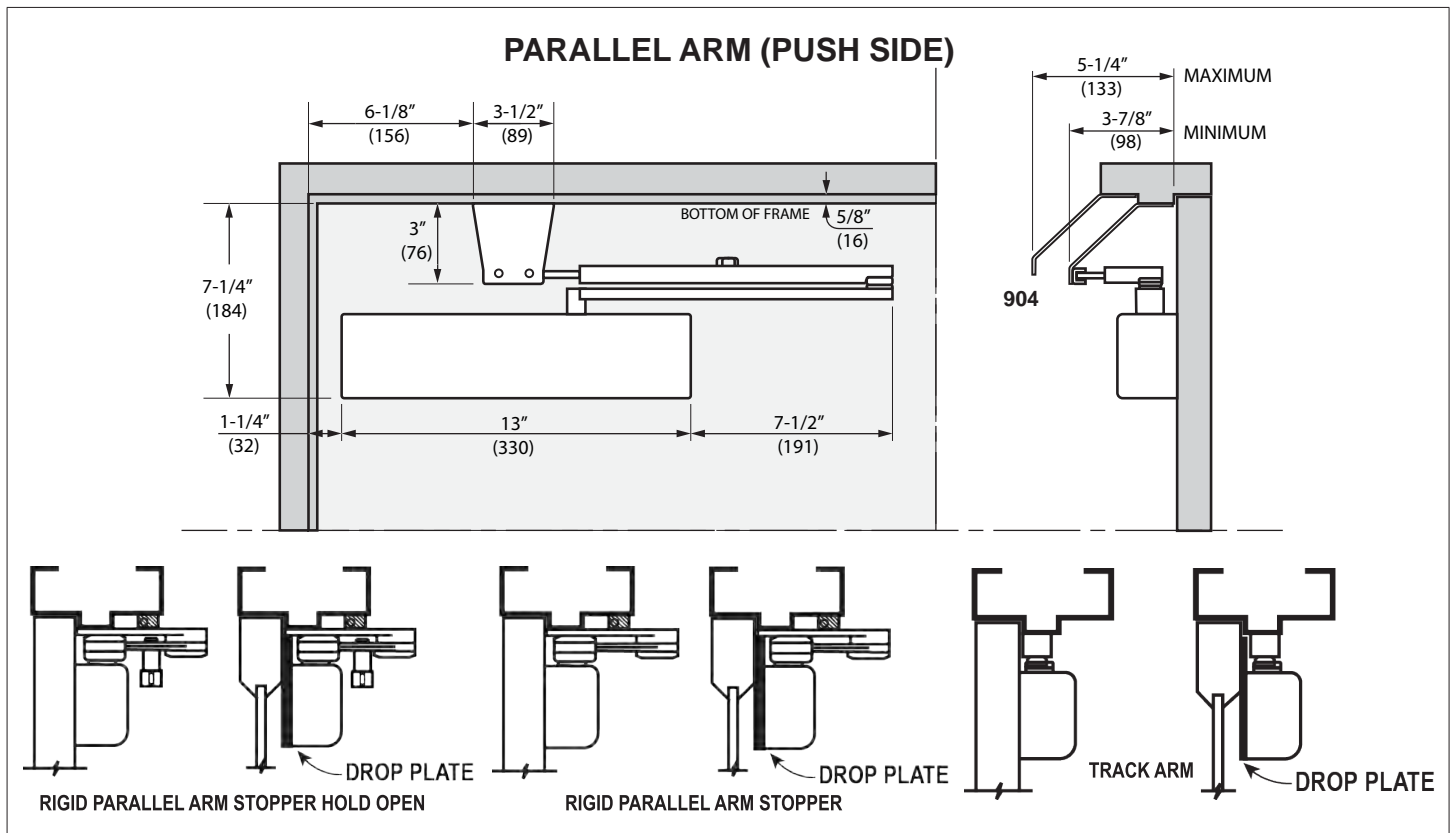
ARMS

- 901 / 902 - Hold-Open Arm with Parallel Bracket, Non-Handed with Stop in Soffit Shoe
- 900EXT - Extended Long Arm (3" Extension) for Top Jamb with Deep Reveals
- 945AR - Door Closer Arm (Main and Regular Forearm)
- TRACK / 900 - Slide Track Arm with Removable Hold-Open

BRACKETS

- 850S - Slim Flat Drop Plate
- 850W - Wide Flat Drop Plate
- 850F - Full Flat Drop Plate

CR801 / 801S SERIES : OPTIONAL INSTALLATION



MAXIMUM OPENING: 180° (Standard), 120° (Hold Open)

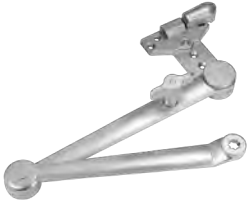

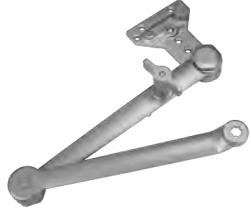

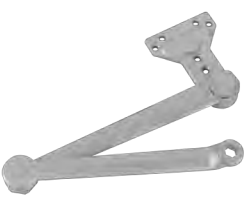














OPTIONAL INSTALLATION

ARMS

- 900HOSPRING - Super Rigid Parallel Arm Stopper Hold-Open, Non-Handed with Spring Loaded Stop in Soffit Shoe
- 900SPRING - Super Rigid Non-Handed Parallel Arm with Spring Loaded Stop in the Soffit Shoe
- HOSRPS900 - Super Rigid Parallel Arm Stopper Hold-Open, Non-Handed with Stop in Soffit Shoe
- SPAS900 - Super Rigid Parallel Arm Stopper, Non-Handed with Stop in Soffit Shoe
- 901 / 902 - Hold-Open Arm with Parallel Bracket, Non-Handed with Stop in Soffit Shoe
- 900EXT - Extended Long Arm (3" Extension) for Top Jamb with Deep Reveals
- 945AR - Door Closer Arm (Main and Regular Forearm)
- TRACK / 900 - Slide Track Arm with Removable Hold-Open

BRACKETS

- 904 - Parallel Arm Drop Bracket for Non-Hold Open Parallel Arm Applications to Clear a Surface-Applied Stop / Holder
- 905 - Parallel Arm Bracket
- 850S - Slim Flat Drop Plate
- 850W - Wide Flat Drop Plate
- 850F - Full Flat Drop Plate

				
900HOSPRING	900SPRING	HOSRPS900	SPAS900	CR900HDAR
<ul style="list-style-type: none"> • Super rigid parallel arm stopper with hold-open • Forged Steel Constructions • Non-handed • Spring loaded stop in soffit shoe • Handle controls hold-open function • Equivalent to <i>LCN SPRING H-CUSH ARM</i> 	<ul style="list-style-type: none"> • Super rigid parallel arm stopper • Forged Steel Constructions • Non-handed parallel arm • Spring loaded stop in the soffit shoe Equivalent to <i>LCN SPRING CUSH ARM</i> 	<ul style="list-style-type: none"> • Super rigid parallel arm stopper with hold-open • Forged Steel Constructions • Non-handed with stop in soffit shoe • Handle controls hold-open function • Equivalent to <i>LCN H-CUSH ARM</i> 	<ul style="list-style-type: none"> • Super rigid parallel arm stopper • Forged Steel Constructions • Non-handed with stop in soffit shoe • Equivalent to <i>LCN CUSH-N-STOP ARM</i> 	<ul style="list-style-type: none"> • Non-handed parallel arm • Forged Steel main arm and forearm • For potentially abusive installations
				
901 / 902	945AR	900EXT	TRACK / 900	904
<ul style="list-style-type: none"> • Hold-open arm with parallel bracket • Forged Steel Constructions • Non-handed with stop in soffit shoe 	<ul style="list-style-type: none"> • Forged Steel main arm and forearm • Non-handed • Door closer arm (Main and regular forearm) 	<ul style="list-style-type: none"> • Extended long arm (3" extension) • Non-handed • For top jamb with deep reveals 	<ul style="list-style-type: none"> • Slide track arm • With removable hold-open clip • Non-handed 	<ul style="list-style-type: none"> • Parallel arm drop bracket • Non-handed • Required for non-hold open parallel arm applications • To clear a surface-applied stop / holder
				
905	850S	850W	850F	801SCOV
<ul style="list-style-type: none"> • Parallel arm bracket • Non-handed 	<ul style="list-style-type: none"> • Slim Flat drop bracket • Non-handed 	<ul style="list-style-type: none"> • Wide Flat drop bracket • Non-handed 	<ul style="list-style-type: none"> • Full Flat drop bracket • Non-handed 	<ul style="list-style-type: none"> • Slim Cover • Non-handed • Plastic Material
				
801COV	970138	970	706	
<ul style="list-style-type: none"> • Full Cover • Non-handed • Plastic Material 	<ul style="list-style-type: none"> • Sex bolts for 1 3/8" doors • Female part only • 1/4" - 20 (set of 4) • For Steel Door Application 	<ul style="list-style-type: none"> • Sex bolts • Female part only • 1/4" - 20 (set of 4) • For Steel Door Application 	<ul style="list-style-type: none"> • Thru bolts and grommet nuts • Set of 4 • For Wood and Aluminum Door Application 	

300 SERIES

ANSI 156.4 Grade 1, Full Cover Multi-Size, Full Feature Closer
UL Listed, Conforms to Standards UL10C and UBC7-2-1997
Lifetime Warranty



- Meets and Exceeds ANSI Standard 156.4 Grade 1
- Universal Hole Pattern Offering Versatility and Precision Engineering for New and Retrofit Market
- Multi Size and Adjustable Commercial Door Closer Sizes 1 thru 4 and 3 thru 6 Meeting Barrier Free Applications
- Hydraulic Door Closer with Standard Back-Check
- Full Plastic Cover is Standard Feature
- Optional Adjustable Delayed Action for Handicapped or Elderly



FEATURES

- Factory Tested to Meet or Exceed ANSI Standard 156.4 Grade 1
- 300 PBFCOV: Non-Sized, Fully Adjustable 1 through 4, (Barrier Free ADA). Full cover. For 30-185 lbs Door Weight
- 300 PCOV: Non-Sized, Fully Adjustable 3 through 6. Full cover. For 85-260 lbs Door Weight
- Hydraulic Door Closer with Standard Adjustable Back-Check Valve
- Standard Full Plastic Cover (2 5/8" W x 3" H x 10 1/8" L) COV / 400
- Universal Mounting - Standard Size #4 Mounting Holes. (9-1/16")
- Finishes Available: Alum, Dark Bronze (Duro), Gold and US3
- Dual Valve, Closing and Latching Speed Controlled by Two Separate Regulating Valves
- Universal Application, Non-Handed, Designed for All Standard Installations

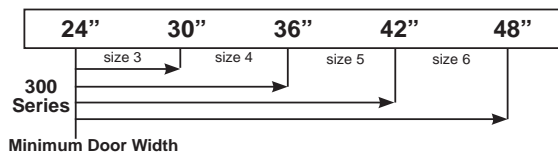
DIMENSION DESCRIPTION	300PBFCOV / 300PCOV
A. Length of Closer Body	9 3/4"
B. Horizontal Mounting Holes	9 1/16"
C. Vertical Mounting Holes	3/4"
D. Height of Closer Body	1 3/4"
E. Projection from Door	2 7/8"

TABLE OF SIZES

Closing power of closers may be adjusted 50%

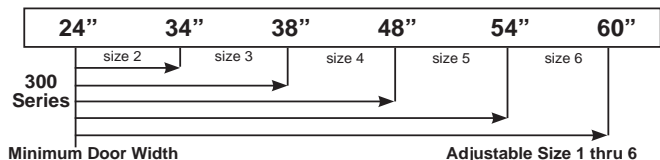
→ Shows recommended range of door width for closer size.

EXTERIOR (and VESTIBULE) DOOR WIDTH



Minimum Door Width

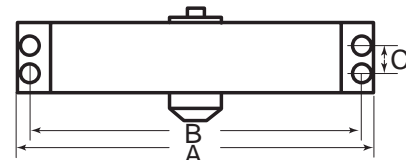
INTERIOR DOOR WIDTH



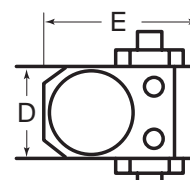
Minimum Door Width

Adjustable Size 1 thru 6

SPECIFICATIONS

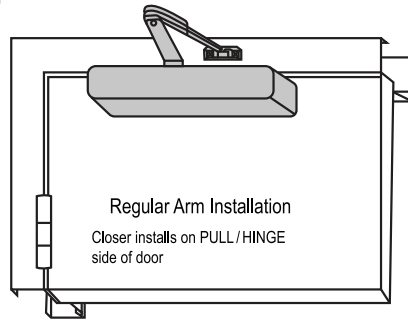
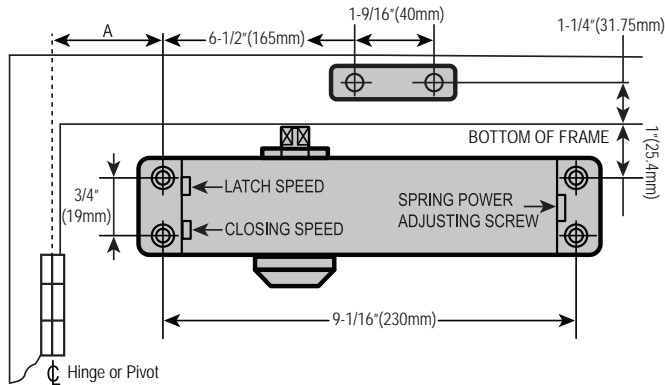


FRONT VIEW

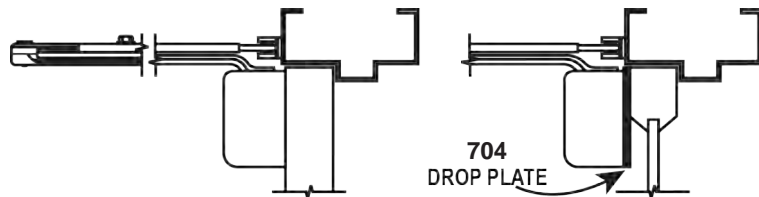


300 Series END VIEW

300 SERIES : REGULAR ARM INSTALLATION (PULL SIDE)

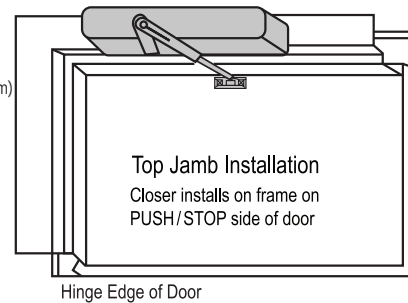
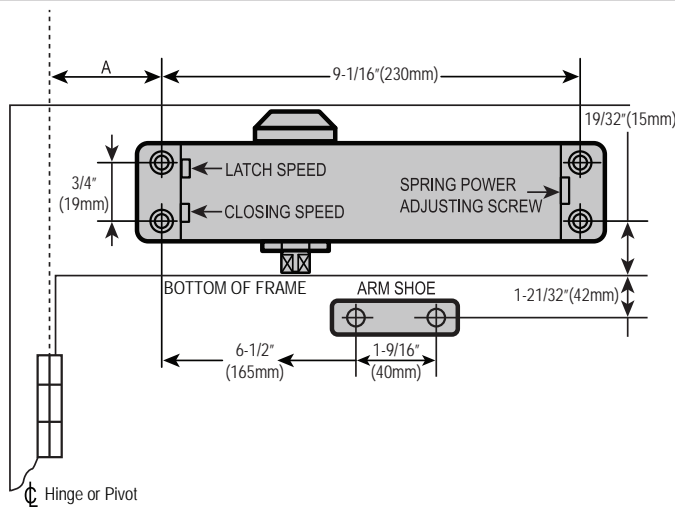


OPENING	DIM A
TO 100°	4-23/32" (120mm)
TO 100° - 120°	4-23/32" (120mm)
OVER 180°	3-5/32" (80mm)

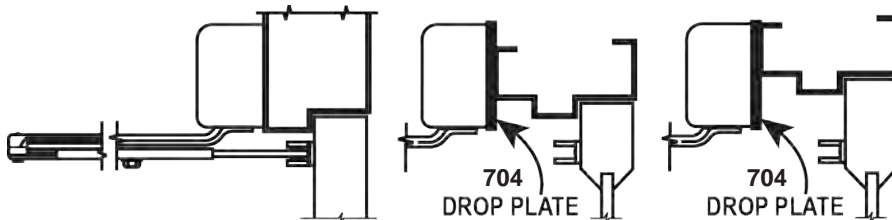


- RIGHT HAND DOOR SHOWN
- LEFT HAND DOOR OPPOSITE
- DIMENSIONS ARE IN INCHES
- DRAWING NOT TO SCALE

300 SERIES : TOP JAMB INSTALLATION (PUSH SIDE)

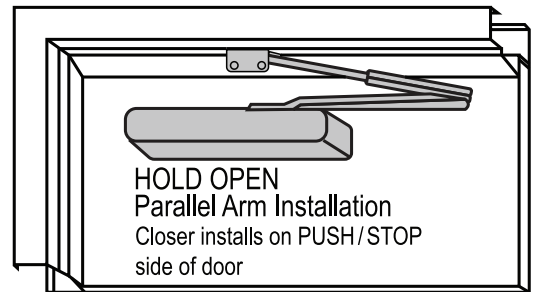
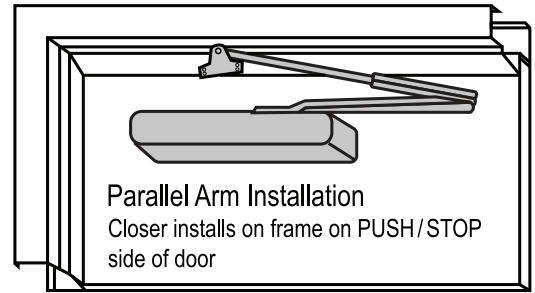
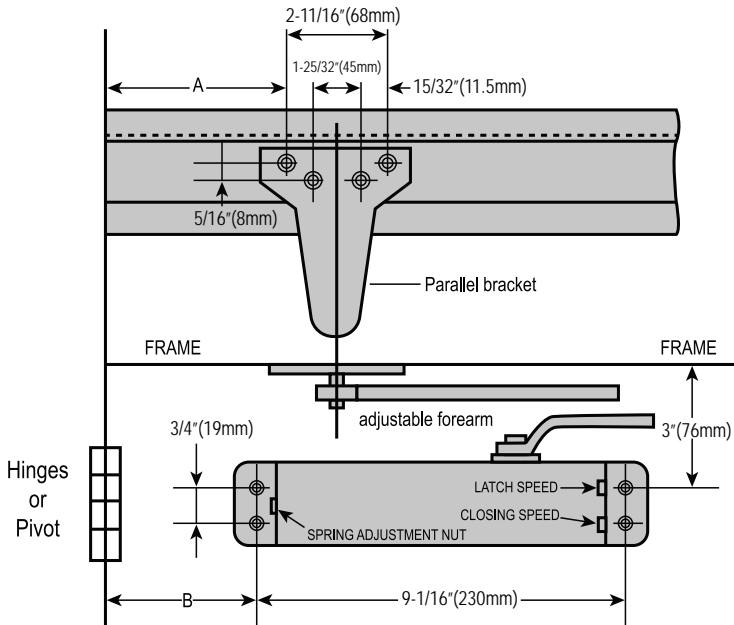


OPENING	DIM A
TO 100°	5-1/2" (140 mm)
100° 120°	5-1/8" (130 mm)
OVER 180°	3-17/22" (90 mm)



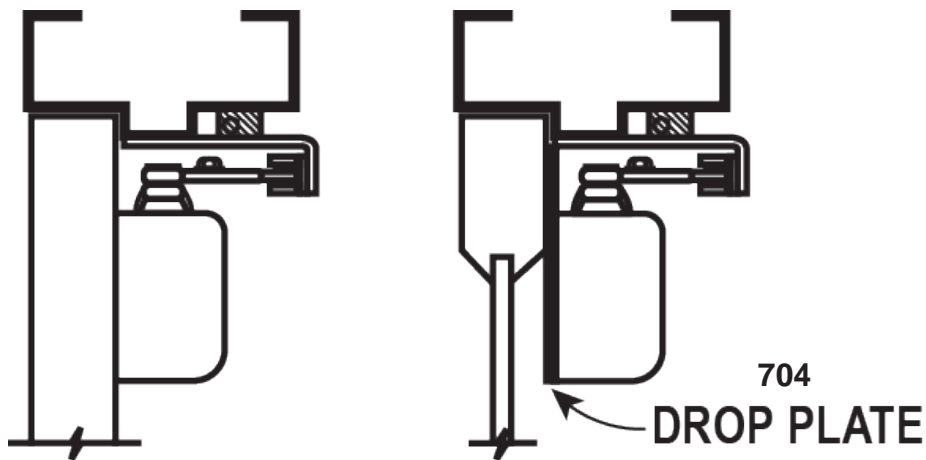
- LEFT HAND DOOR SHOWN
- RIGHT HAND DOOR OPPOSITE
- DIMENSIONS ARE IN INCHES
- DRAWING NOT TO SCALE

300 SERIES : PARALLEL ARM INSTALLATION (PUSH SIDE)



OPENING	DIM A	DIM B
TO 100°	7-7/8" (200 mm)	5-29/32" (150 mm)
120° - 180°	6-11/16" (170 mm)	4-23/32" (120 mm)

- LEFT HAND DOOR SHOWN
- RIGHT HAND DOOR OPPOSITE
- DIMENSIONS ARE IN INCHES
- DRAWING NOT TO SCALE



OPTIONAL INSTALLATION

<p>REGULAR ARM (PULL SIDE)</p>	<p>MAXIMUM OPENING: 180° (Standard), 120° (Hold Open)</p> <p>OPTIONAL INSTALLATION ARMS</p> <ul style="list-style-type: none"> • 301 / 302 - Hold-Open Arm & Parallel Bracket • TRACK / 900 - Slide Track Arm with Removable Hold-Open
<p>TOP JAMB (PUSH SIDE)</p>	<p>BRACKETS</p> <ul style="list-style-type: none"> • 704 - Flat Drop Bracket
<p>PARALLEL ARM (PUSH SIDE)</p>	<p>MAXIMUM OPENING: 180° (Standard), 120° (Hold Open)</p> <p>OPTIONAL INSTALLATION ARMS</p> <ul style="list-style-type: none"> • 301 / 302 - Hold Open Arm & Parallel Bracket • TRACK / 900 - Slide Track Arm with Removable Hold-Open <p>BRACKETS</p> <ul style="list-style-type: none"> • 704 - Flat Drop Bracket • 904 - Parallel Arm Drop Bracket for Non-Hold Open Parallel Arm Applications to Clear a Surface-Applied Stop / Holder • 905 - Parallel Arm Bracket

			
<p>904</p> <ul style="list-style-type: none"> • Parallel arm drop bracket • Non-handed • Required for non-hold open parallel arm applications • To clear a surface-applied stop / holder 	<p>905</p> <ul style="list-style-type: none"> • Parallel arm bracket • Non-handed 	<p>704</p> <ul style="list-style-type: none"> • Flat drop bracket • Non-handed 	<p>301 / 302</p> <ul style="list-style-type: none"> • Hold-Open Arm and Parallel Bracket • Forged Steel Constructions • Non-handed
			
<p>970138</p> <ul style="list-style-type: none"> • Sex bolts for 1 3/8" doors • Female part only • 1/4" - 20 (set of 4) • For Steel Door Application 	<p>970</p> <ul style="list-style-type: none"> • Sex bolts • Female part only • 1/4" - 20 (set of 4) • For Steel Door Application 	<p>TRACK / 900</p> <ul style="list-style-type: none"> • Slide track arm • With removable hold-open clip • Non-handed 	<p>COV / 400</p> <ul style="list-style-type: none"> • Full cover • Non-handed • Plastic Material

500 SERIES

ANSI 156.4 Grade 1, Optional Cover, Full Feature Closer
UL Listed, Conforms to Standards UL10C and UBC7-2-1997
BHMA Certified Lifetime Warranty



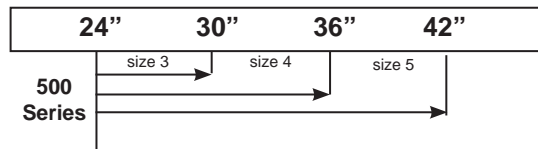
- Meets and Exceeds ANSI Standard 156.4 Grade 1
- Universal Hole Pattern Offering Versatility and Precision Engineering for New and Retrofit Market
- Hydraulic Door Closer with Standard Back-Check
- Optional Slim Plastic Cover and Full 32D Cover
- Adjustable Multi Size Commercial Door Closer Sizes 1 thru 5 meeting Barrier Free Applications

TABLE OF SIZES

Closing power of closers may be adjusted 50%

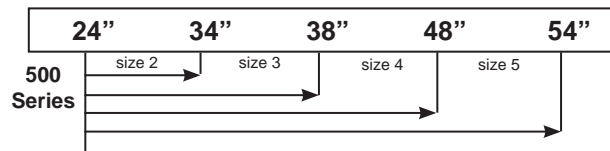
→ Shows recommended range of door width for closer size.

EXTERIOR (and VESTIBULE) DOOR WIDTH



Minimum Door Width

INTERIOR DOOR WIDTH



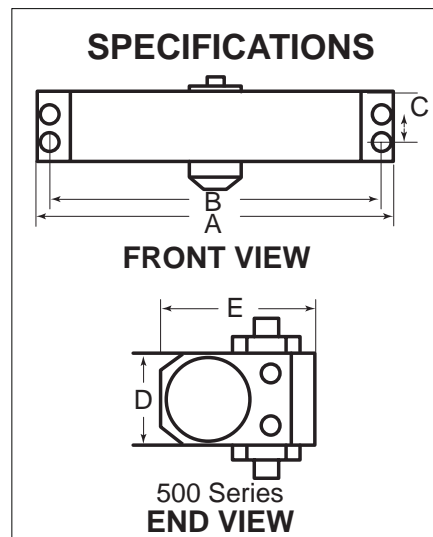
Minimum Door Width

Adjustable Size 1 thru 5

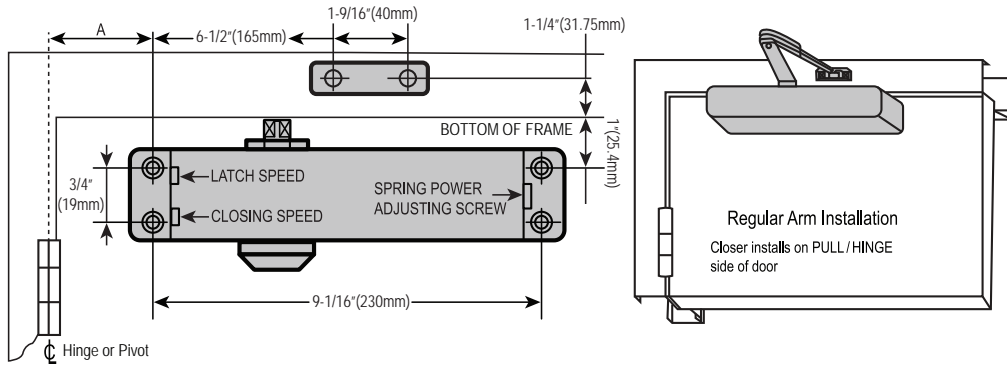
FEATURES

- Factory Tested to Meet or Exceed ANSI Standard 156.4 Grade 1
- 500PBF: Non-Sized, Fully Adjustable 1 thru 5, (Barrier Free ADA) Interior Doors. For 30-260 lbs Door Weight
- Hydraulic Door Closer with Standard Adjustable Back-Check Valve
- Optional Slim Plastic Cover (2" W x 3" H x 10-5/8" L), PART# 500COV
- Optional Stainless Steel Full Cover, PART# 500COV 32D
- Universal Mounting - Standard Size #4 Mounting Holes (9 1/16")
- Finishes Available: Alum and Dark Bronze (Duro)
- Dual Valve, Closing and Latching Speed Controlled by Two Separate Regulating Valves

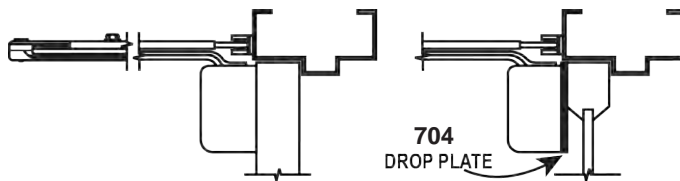
DESCRIPTION	500PBF
A. Length of Closer Body	9 3/4"
B. Horizontal Mounting Holes	9 1/16"
C. Vertical Mounting Holes	3/4"
D. Height of Closer Body	1 3/4"
E. Projection from Door	2 7/8"



500 SERIES : REGULAR ARM INSTALLATION (PULL SIDE)

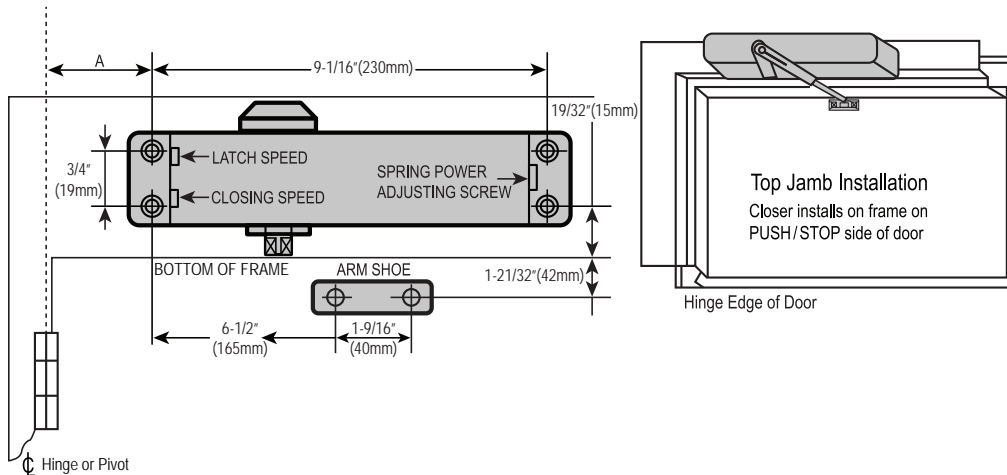


OPENING	DIM A
TO 100°	4-23/32" (120 mm)
100° - 120°	4-23/32" (120 mm)
OVER 180°	5-5/32" (80 mm)

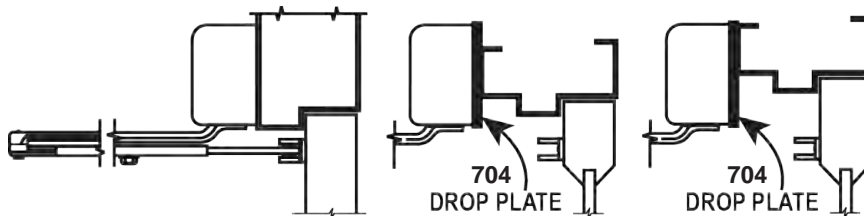


- RIGHT HAND DOOR SHOWN
- LEFT HAND DOOR OPPOSITE
- DIMENSIONS ARE IN INCHES
- DRAWING NOT TO SCALE

500 SERIES: TOP JAMB INSTALLATION (PUSH SIDE)

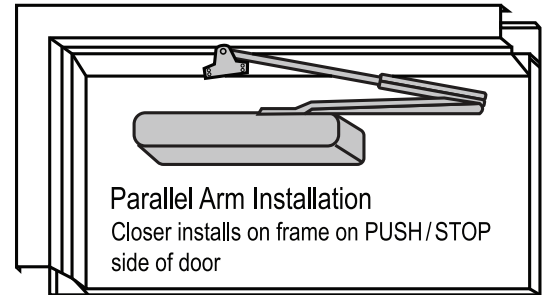
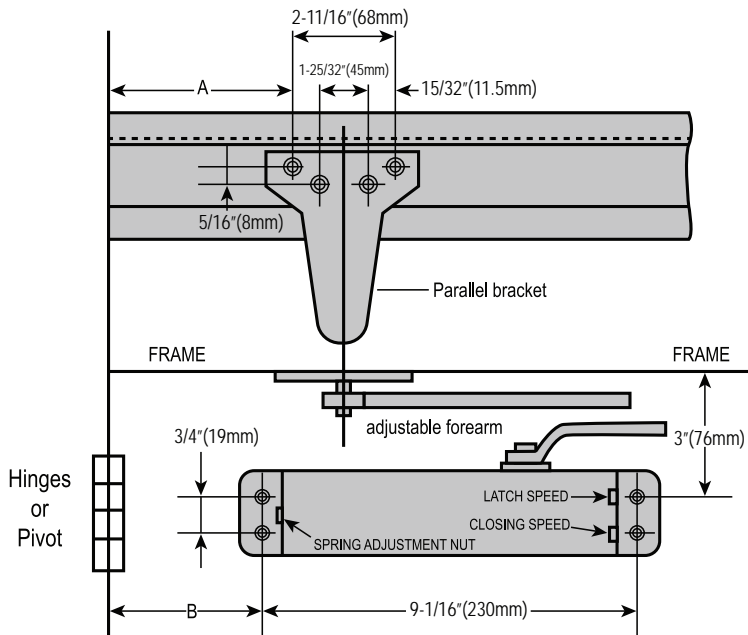


OPENING	DIM A
TO 100°	5-1/2" (140 mm)
100° - 120°	5-1/8" (130 mm)
OVER 180°	3-17/32" (90 mm)



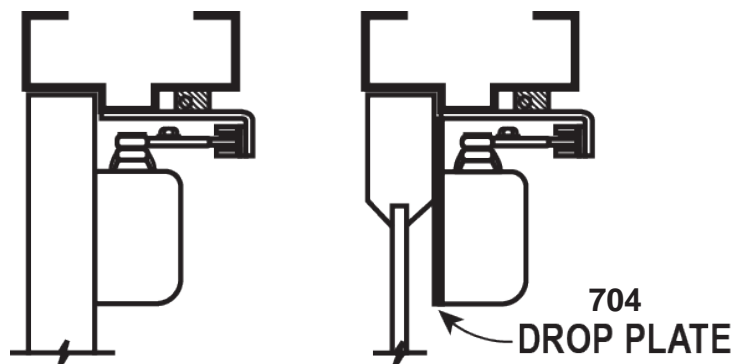
- LEFT HAND DOOR SHOWN
- RIGHT HAND DOOR OPPOSITE
- DIMENSIONS ARE IN INCHES
- DRAWING NOT TO SCALE

500 SERIES : PARALLEL ARM INSTALLATION (PUSH SIDE)



- LEFT HAND DOOR SHOWN
- RIGHT HAND DOOR OPPOSITE
- DIMENSIONS ARE IN INCHES
- DRAWING NOT TO SCALE

OPENING	DIM A	DIM B
TO 100°	7-7/8" (200 mm)	5-29/32" (150 mm)
120° - 180°	6-11/16" (170 mm)	4-23/32" (120 mm)



OPTIONAL INSTALLATION

<p>REGULAR ARM (PULL SIDE)</p>	<p>MAXIMUM OPENING: 180° (Standard), 120° (Hold Open) OPTIONAL INSTALLATION ARMS</p>
<p>TOP JAMB (PUSH SIDE)</p>	<ul style="list-style-type: none"> • 501 / 502- Hold-Open Arm with Parallel Bracket, Non-Handed with Stop in Soffit Shoe <p>BRACKETS</p> <ul style="list-style-type: none"> • 704 - Flat Drop Bracket
<p>PARALLEL ARM (PUSH SIDE)</p>	<p>MAXIMUM OPENING: 180° (Standard), 120° (Hold Open) OPTIONAL INSTALLATION ARMS</p> <ul style="list-style-type: none"> • 501 / 502 - Hold-Open Arm & Parallel Bracket, Non-Handed with Stop in Soffit Shoe <p>BRACKETS</p> <ul style="list-style-type: none"> • 704 - Flat Drop Plate • 904 - Parallel Arm Drop Bracket for Non-Hold Open Parallel Arm Applications to Clear a Surface-Applied Stop / Holder • 505 - Parallel Arm Bracket

			
<p>904</p> <ul style="list-style-type: none"> • Parallel arm drop bracket • Non-handed • Required for non-hold open parallel arm applications • To clear a surface-applied stop / holder 	<p>505</p> <ul style="list-style-type: none"> • Parallel arm bracket • Non-handed 	<p>704</p> <ul style="list-style-type: none"> • Flat drop bracket • Non-handed 	<p>501 / 502</p> <ul style="list-style-type: none"> • Hold-Open Arm and Parallel Bracket • Forged Steel Constructions • Non-handed
			
<p>970138</p> <ul style="list-style-type: none"> • Sex bolts for 1 3/8" doors • Female part only • 1/4" - 20 (set of 4) • For Steel Door Application 	<p>970</p> <ul style="list-style-type: none"> • Sex bolts • Female part only • 1/4" - 20 (set of 4) • For Steel Door Application 	<p>706</p> <ul style="list-style-type: none"> • Thru bolts and grommet nuts • Set of 4 • For Wood and Aluminum Door Application 	
			
<p>500COV</p> <ul style="list-style-type: none"> • Slim cover • Non-handed • Plastic material 	<p>500COV 32D</p> <ul style="list-style-type: none"> • Full cover • Non-handed • Stainless Steel material 		

700 SERIES

ANSI 156.4 Grade 1, Optional Slim Cover, Sized Door Closer
UL Listed, Conforms to Standards UL10C and UBC7-2-1997
BHMA Certified Lifetime Warranty



OPTIONAL SLIM COVER

- Meets and Exceeds ANSI Standard 156.4 Grade 1
- Universal Hole Pattern Offering Versatility and Precision Engineering for New and Retrofit Market
- Choice of Regular, Parallel, or Hold-Open Arms for All Standard Applications
- Sized Door Closer. Sizes 2, 3, 4 and 5
- Hydraulic Door Closer with Optional Back-Check
- Optional Slim Plastic Cover



FEATURES

- Hydraulic Door Closer with Dual Valve, Closing and Latching Speed Controlled by Two Separate Regulating Valves
- Universal Application, Non-Handed, Designed for All Standard Installations
- Reinforced Type Adjustable Tube Arm
- Rack and Pinion Operation Contained in a High Tensile Precision Cast Aluminum Housing for the Highest Quality
- High Quality Hydraulic Fluid for High Lubricity and Constant Lubrication
- The Streamlined Design Permits Installation on Most Commercial and Residential Applications without Adaptors
- Sized Door Closer. 720 Size 2, 730 Size 3, 740 Size 4 and 750 Size 5

RECOMMENDED CLOSER SIZES FOR INTERIOR & EXTERIOR

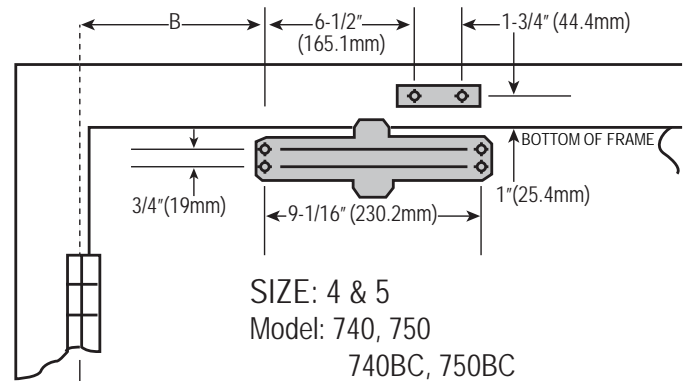
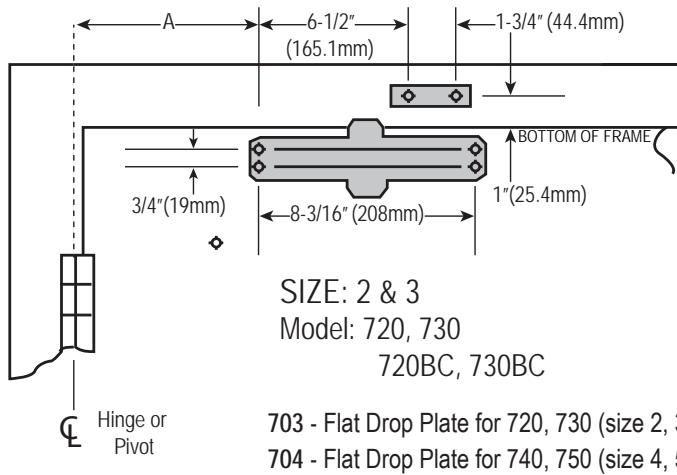
REGULAR CLOSERS				CLOSERS WITH PARALLEL ARM ADAPTER				
MODEL NO.	DOOR WEIGHT (POUNDS) ALL MODELS	MODEL NO.	TYPE OF DOOR	MAXIMUM SIZE OF DOOR			MAXIMUM SIZE OF DOOR	
REGULAR		HOLD OPEN ACCESSORIES		INTERIOR	EXTERIOR INSWINGING	INTERIOR OUTSWINGING	INTERIOR	EXTERIOR INSWINGING
720	55-100	901/902	Heavy screen doors or medium weight interior door of wood or metal	3'0"	----	----	2'6"	----
730	88-143	901/902	Light exterior doors and interior doors of wood or metal	3'6"	2'6"	3'0"	3'0"	2'6"
740	120-187	901/902	Exterior doors and heavy interior doors of wood or metal	4'0"	3'0"	3'6"	3'6"	3'0"
750	176-265	901/902	Heavy exterior doors and heavy interior doors	4'6"	3'6"	4'0"	4'0"	3'6"

NOTE: Doors of unusual height or weight, or doors subject to severe wind or draft conditions, or abusive usage, require the next larger model closer than the schedule.

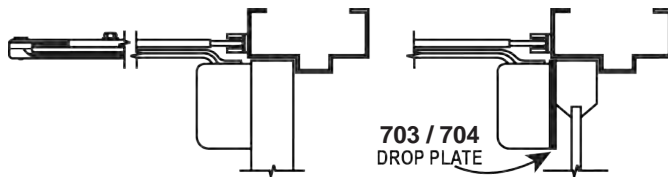
SPECIFICATIONS DESCRIPTION	SIZE			
	2	3	4	5
A. Length of Closer Body	8 7/8"	8 7/8"	9 3/4"	9 3/4"
B. Horizontal Mounting Holes	8 3/16"	8 3/16"	9 1/16"	9 1/16"
C. Vertical Mounting Holes	3/4"	3/4"	3/4"	3/4"
D. Height of Closer Body	1 3/4"	1 3/4"	1 3/4"	1 3/4"
E. Projection from Door	2 7/8"	2 7/8"	2 7/8"	2 7/8"



700 SERIES: REGULAR ARM INSTALLATION (PULL SIDE)

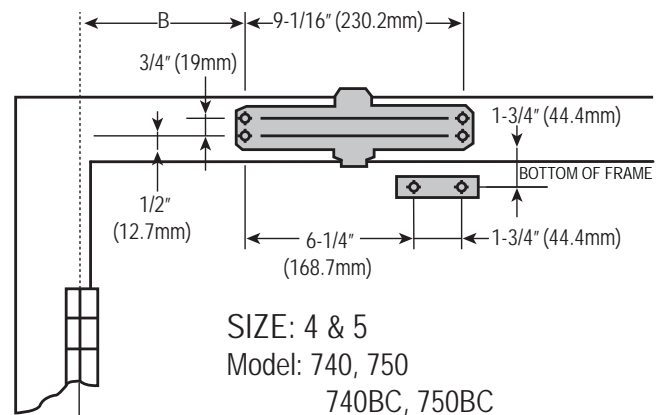
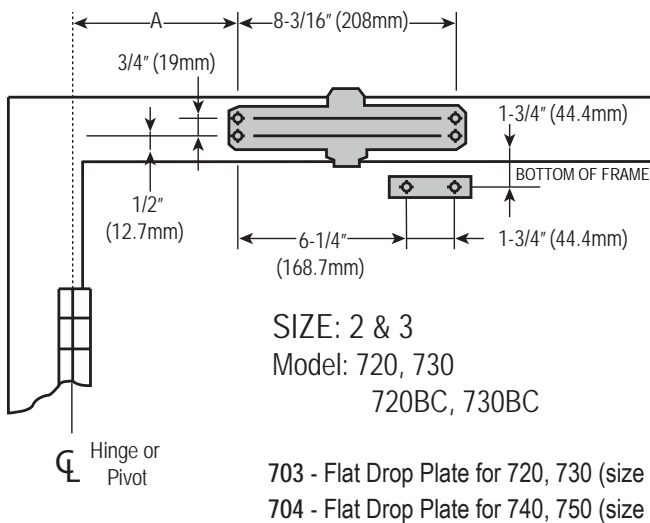


OPENING	DIM A SIZE 2 & 3	DIM B SIZE 4 & 5
120° - 180°	6-1/2" (165.1 mm)	6-1/2" (165.1 mm)
OVER 180°	4" (101.6 mm)	4" (101.6 mm)

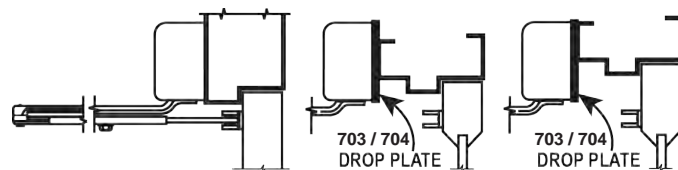


- RIGHT HAND DOOR SHOWN
- RIGHT HAND DOOR OPPOSITE
- DIMENSIONS ARE IN INCHES
- DRAWING NOT TO SCALE

TOP JAMB INSTALLATION (PUSH SIDE)

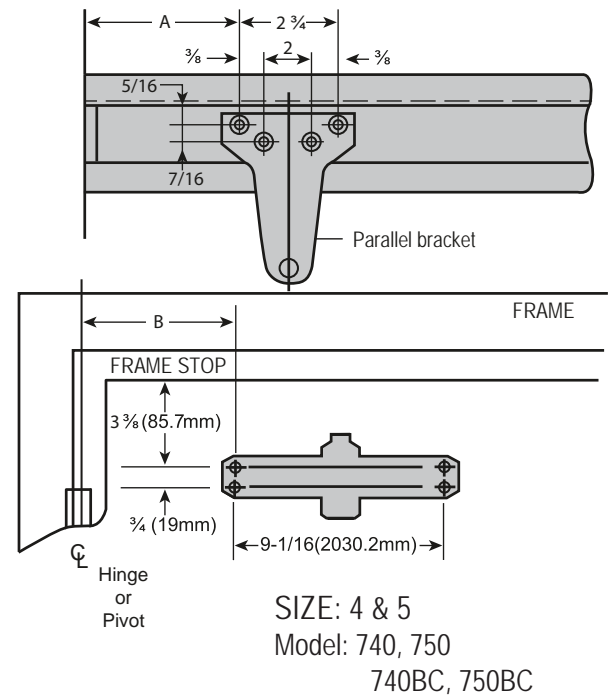
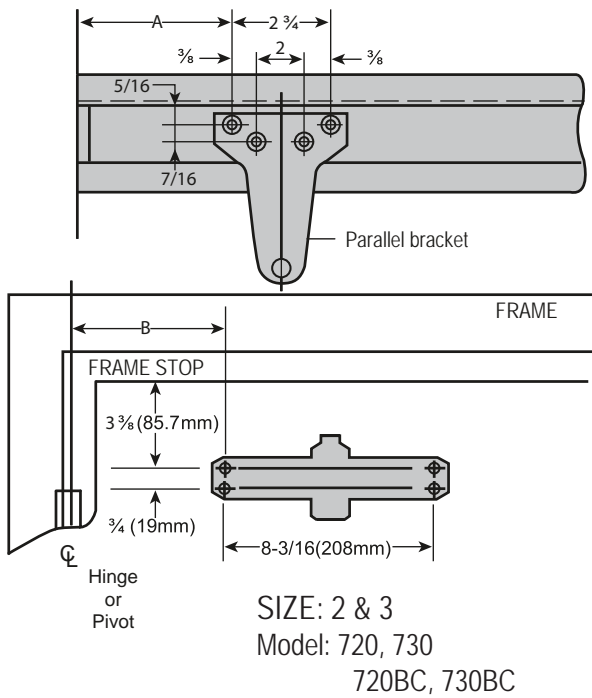


OPENING	DIM A SIZE 2 & 3	DIM B SIZE 4 & 5
120° - 180°	6-1/2" (165.1 mm)	6-1/2" (165.1 mm)
OVER 180°	4" (101.6 mm)	4" (101.6 mm)



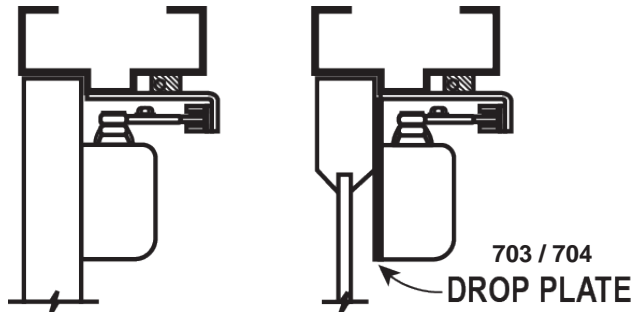
- LEFT HAND DOOR SHOWN
- RIGHT HAND DOOR OPPOSITE
- DIMENSIONS ARE IN INCHES
- DRAWING NOT TO SCALE

700 SERIES : PARALLEL ARM INSTALLATION (PUSH SIDE)



- LEFT HAND DOOR SHOWN
- RIGHT HAND DOOR OPPOSITE
- DIMENSIONS ARE IN INCHES
- DRAWING NOT TO SCALE










OPENING	DIM A SIZE 2 & 3	DIM B SIZE 2 & 3	DIM A SIZE 4 & 5	DIM B SIZE 4 & 5
120° - 180°	8-5/8" (219 mm)	7-13/16" (198.4 mm)	8-5/8" (219 mm)	6-15/16" (176.2 mm)
OVER 180°	6-9/16" (166.7 mm)	5-5/8" (142.9 mm)	6-9/16" (166.7 mm)	5-3/16" (131.8 mm)



703 - Flat Drop Plate for 720, 730 (size 2, 3)
704 - Flat Drop Plate for 740, 750 (size 4, 5)

OPTIONAL INSTALLATION

<p>REGULAR ARM (PULL SIDE)</p>	<p>MAXIMUM OPENING: 180° (Standard), 120° (Hold Open)</p> <p>OPTIONAL INSTALLATION ARMS</p> <ul style="list-style-type: none"> • 901 / 902 - Hold-Open Arm with Parallel Bracket, Non-Handed with Stop in Soffit Shoe • 745AR - Door Closer Arm (Main and Regular Forearm)
<p>TOP JAMB (PUSH SIDE)</p>	<p>BRACKETS</p> <ul style="list-style-type: none"> • 703 - Flat Drop Plate for 720, 730 (size 2, 3) • 704 - Flat Drop Plate for 740, 750 (size 4, 5)
<p>PARALLEL ARM (PUSH SIDE)</p>	<p>MAXIMUM OPENING: 180° (Standard), 120° (Hold Open)</p> <p>OPTIONAL INSTALLATION ARMS</p> <ul style="list-style-type: none"> • 901 / 902 - Hold-Open Arm with Parallel Bracket, Non-Handed with Stop in Soffit Shoe • 745AR - Door Closer Arm (Main and Regular Forearm) <p>BRACKETS</p> <ul style="list-style-type: none"> • 905 - Parallel Arm Bracket • 703 - Flat Drop Plate for 720, 730 (size 2, 3) • 704 - Flat Drop Plate for 740, 750 (size 4, 5)

			
<p>COV700</p> <ul style="list-style-type: none"> • Slim plastic cover • Non-handed • Fits all sizes • Shipped separately 	<p>905</p> <ul style="list-style-type: none"> • Parallel arm bracket • Non-handed 	<p>745AR</p> <ul style="list-style-type: none"> • Forged Steel main arm and forearm • Non-handed • Door closer arm (Main and regular forearm) 	<p>901 / 902</p> <ul style="list-style-type: none"> • Hold-open arm with parallel bracket • Forged Steel Constructions • Non-handed with stop in soffit shoe
			
<p>970138</p> <ul style="list-style-type: none"> • Sex bolts for 1 3/8" doors • Female part only • 1/4" - 20 (set of 4) • For Steel Door Application 	<p>970</p> <ul style="list-style-type: none"> • Sex bolts • Female part only • 1/4" - 20 (set of 4) • For Steel Door Application 	<p>706</p> <ul style="list-style-type: none"> • Thru bolts and grommet nuts • Set of 4 • For Wood and Aluminum Door Application 	
			
<p>703</p> <ul style="list-style-type: none"> • Flat drop bracket • Non-handed 	<p>704</p> <ul style="list-style-type: none"> • Flat drop bracket • Non-handed 		

400 SERIES

ANSI 156.4 Grade 2, Optional Full Cover, Sized Door Closer
UL Listed Conforms to standards UL10C and UBC7-2-1997
5 Year Warranty



5-YEAR WARRANTY



- Standard Duty Commercial Hydraulic Door Closer Precision Engineering for New Construction
- Meets and Exceeds ANSI Standard 156.4 Grade 2
- Sized Door Closer, Sizes 2, 3 and 4
- For All Standard Applications
- Optional Full Cover
- Optional Back-Check
- Heavy Duty Rack and Pinion



FEATURES

- Sized Hydraulic Door Closers. 420-P Size 2, 430-P Size 3, SM430-P Size 3, and 440-P Size 4
- Dual Valve, Closing and Latching Speed Controlled by Two Separate Regulating Valves
- Universal Application, Non-Handed, Designed for All Standard Installations
- Reinforced Type Adjustable Tube Arm
- Rack and Pinion Operated Contained in a High Tensile Precision Cast Aluminum Housing for the Highest Quality
- The Streamlined Design Permits Installation on Most Commercial and Residential Applications without Adaptors

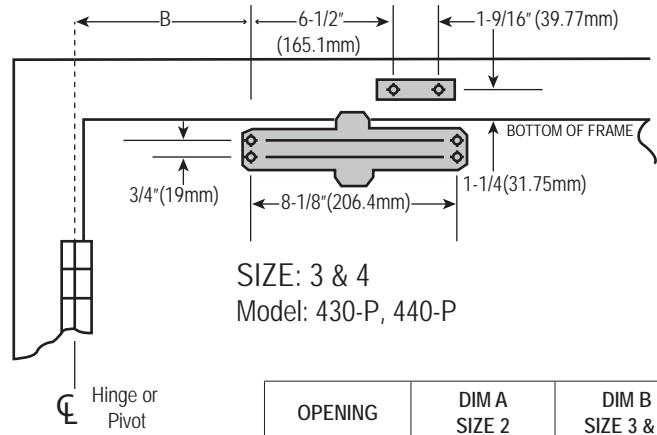
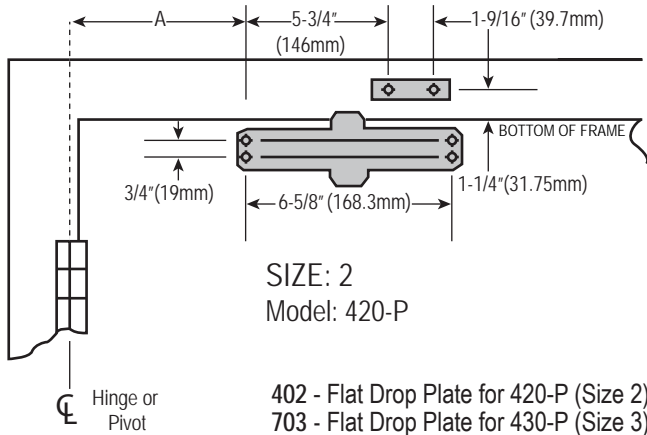
RECOMMENDED CLOSER SIZES FOR INTERIOR & EXTERIOR

REGULAR CLOSERS				CLOSERS WITH PARALLEL ARM ADAPTER				
MODEL NO.	DOOR WEIGHT (POUNDS) ALL MODELS	MODEL NO.	TYPE OF DOOR	MAXIMUM SIZE OF DOOR			MAXIMUM SIZE OF DOOR	
REGULAR		HOLD OPEN ACCESSORIES		INTERIOR	EXTERIOR INSWINGING	INTERIOR OUTSWINGING	INTERIOR	EXTERIOR INSWINGING
420P	55-100	301/302	Heavy screen doors or medium weight interior door of wood or metal	3'0"	----	----	2'6"	----
430P	88-143	301/302	Light exterior doors and interior doors of wood or metal	3'6"	2'6"	3'0"	3'0"	2'6"
440P/ SM430-P	120-187	301/302	Exterior doors and heavy interior doors of wood or metal	4'0"	3'0"	3'6"	3'6"	3'0"

NOTE: Doors of unusual height or weight, or doors subject to severe wind or draft conditions, or abusive usage, require the next larger model closer than the schedule.

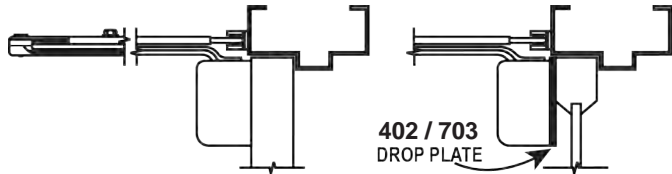
SPECIFICATIONS DESCRIPTION	SIZE			
	420-P	SM 430-P	430-P	440-P
A. Length of Closer Body	7 1/4"	7 1/8"	8 3/4"	8 3/4"
B. Horizontal Mounting Holes	6 3/8"	6 1/2"	8 3/16"	8 3/16"
C. Vertical Mounting Holes	3/4"	3/4"	3/4"	3/4"
D. Height of Closer Body	1 3/4"	1 3/4"	1 3/4"	1 3/4"
E. Projection from Door	2 5/8"	2 15/32"	2 7/8"	2 7/8"

400 SERIES : REGULAR ARM INSTALLATION (PULL SIDE)

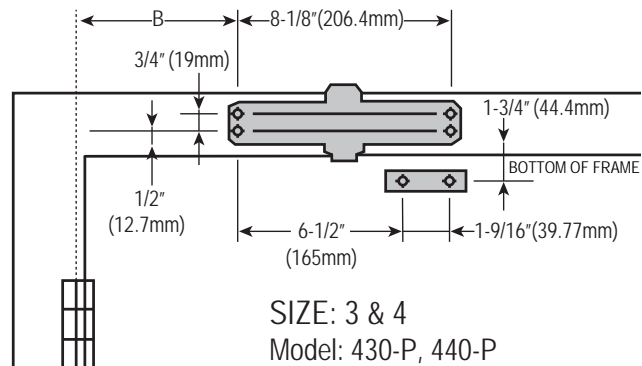
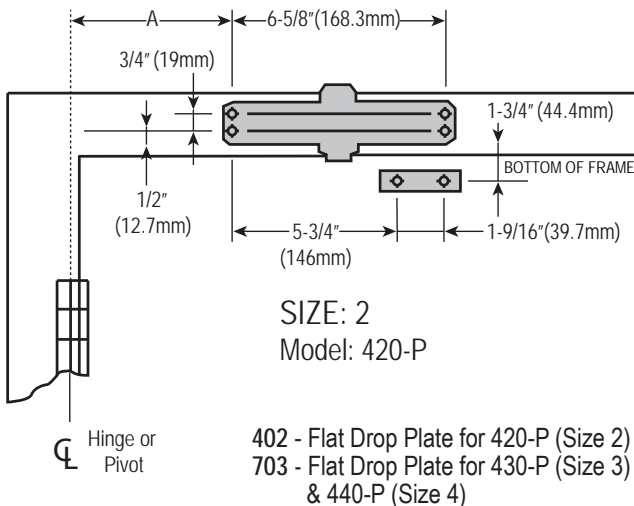


OPENING	DIM A SIZE 2	DIM B SIZE 3 & 4
120° - 180°	3-3/4" (95.25 mm)	4-3/4" (120.1 mm)
OVER 180°	2-9/16" (65 mm)	3-1/8" (79.4 mm)

- RIGHT HAND DOOR SHOWN
- LEFT HAND DOOR OPPOSITE
- DIMENSIONS ARE IN INCHES
- DRAWING NOT TO SCALE

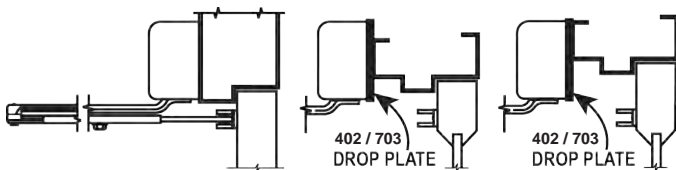


400 SERIES : TOP JAMB INSTALLATION (PUSH SIDE)

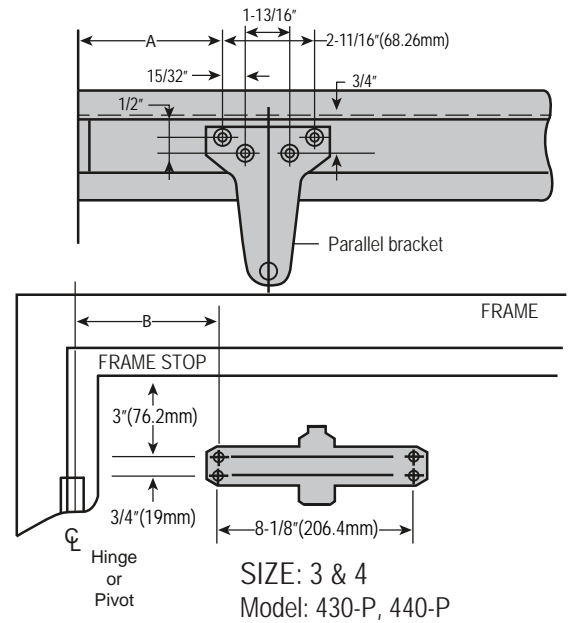
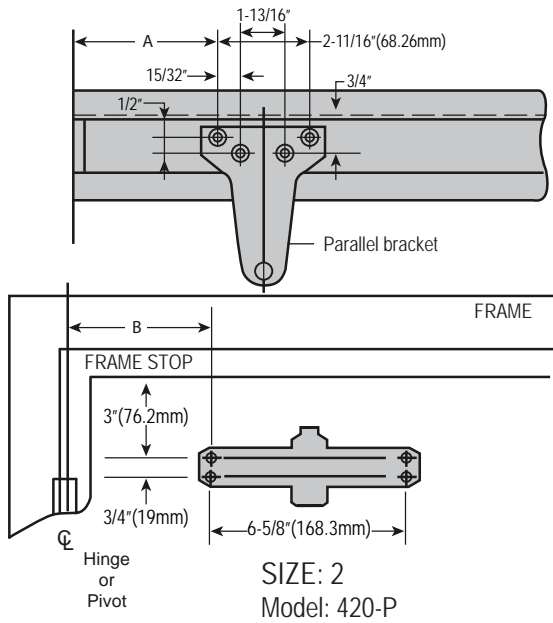


OPENING	DIM A SIZE 2	DIM B SIZE 3 & 4
120° - 180°	3-3/4" (95.25 mm)	3-1/8" (79.4 mm)
OVER 180°	2-9/16" (65 mm)	4-3/4" (120.1 mm)

- LEFT HAND DOOR SHOWN
- RIGHT HAND DOOR OPPOSITE
- DIMENSIONS ARE IN INCHES
- DRAWING NOT TO SCALE

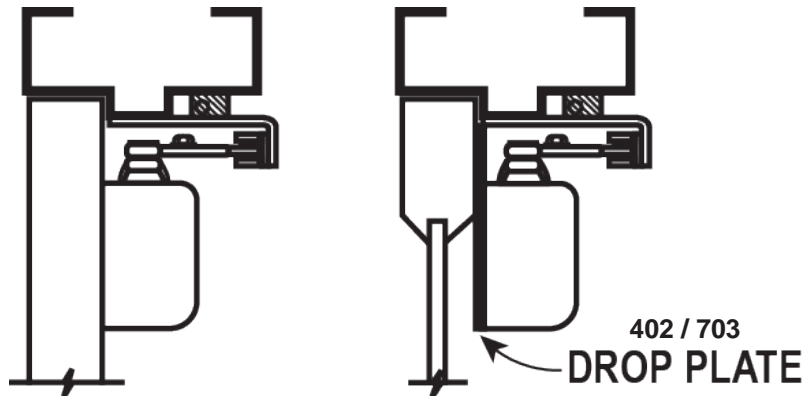


400 SERIES : PARALLEL ARM INSTALLATION (PUSH SIDE)



- LEFT HAND DOOR SHOWN
- RIGHT HAND DOOR OPPOSITE
- DIMENSIONS ARE IN INCHES
- DRAWING NOT TO SCALE

OPENING	DIM A SIZE 2	DIM B SIZE 2	DIM A SIZE 3 & 4	DIM B SIZE 3 & 4
120° - 180°	5-7/8" (149.2 mm)	4-11/16" (119 mm)	7-7/8" (200 mm)	6-11/16" (169.8 mm)
OVER 180°	4-11/16" (119 mm)	3-1/2" (88.9 mm)	6-11/16" (169.8 mm)	5-1/2" (139.7 mm)



402 - Flat Drop Plate for 420-P (size 2)

703 - Flat Drop Plate for 430-P (size 3) and 440-P (size 4)

OPTIONAL INSTALLATION

<p>REGULAR ARM (PULL SIDE)</p>	<p>MAXIMUM OPENING: 180° (Standard), 120° (Hold Open)</p> <p>OPTIONAL INSTALLATION</p> <p>ARMS</p> <ul style="list-style-type: none"> • 301 / 302- Hold-Open Arm with Parallel Bracket, Non-Handed with Stop in Soffit Shoe <p>BRACKETS</p> <ul style="list-style-type: none"> • 402 - Flat Drop Plate for 420-P (size 2) • 703 - Flat Drop Plate for 430-P (size 3) and 440-P (size 4) 		
<p>TOP JAMB (PUSH SIDE)</p>			
<p>PARALLEL ARM (PUSH SIDE)</p>	<p>MAXIMUM OPENING: 180° (Standard), 120° (Hold Open)</p> <p>OPTIONAL INSTALLATION</p> <p>ARMS</p> <ul style="list-style-type: none"> • 301 / 302- Hold-Open Arm with Parallel Bracket, Non-Handed with Stop in Soffit Shoe <p>BRACKETS</p> <ul style="list-style-type: none"> • 402 - Flat Drop Plate for 420-P (size 2) • 703 - Flat Drop Plate for 430-P (size 3) and 440-P (size 4) • 905 - Parallel Arm Bracket 		
			
<p>COV / 400</p>	<p>905</p>	<p>703</p>	<p>402</p>
<ul style="list-style-type: none"> • Plastic full cover • Fits all sizes • Shipped separately 	<ul style="list-style-type: none"> • Parallel arm bracket • Non-handed 		<ul style="list-style-type: none"> • Flat drop bracket • Non-handed
			
<p>970138</p>	<p>970</p>	<p>706</p>	<p>301 / 302</p>
<ul style="list-style-type: none"> • Sex bolts for 1 3/8" doors • Female part only • 1/4" – 20 (set of 4) • For Steel Door Application 	<ul style="list-style-type: none"> • Sex bolts • Female part only • 1/4" – 20 (set of 4) • For Steel Door Application 		<ul style="list-style-type: none"> • Thru bolts and grommet nuts • Set of 4 • For Wood and Aluminum Door Application <ul style="list-style-type: none"> • Hold-Open Arm and Parallel Bracket • Forged Steel Constructions • Non-handed

DFG888 Concealed Glass Floor Door Closer

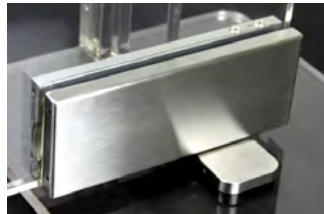
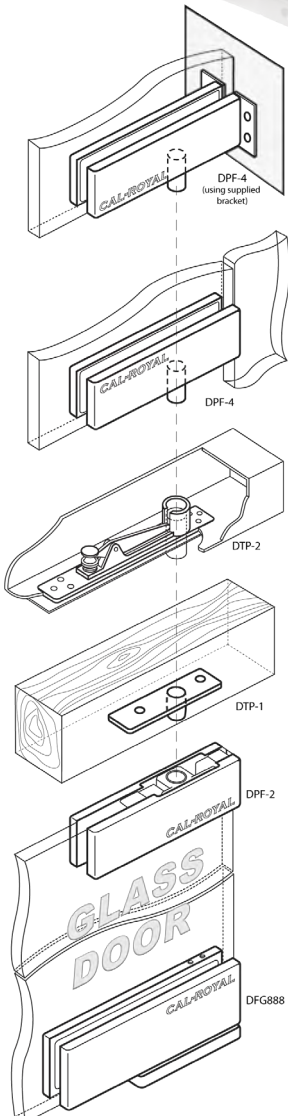
**5-YEAR
WARRANTY**



- Standard Concealed Glass Floor Door Closer with Hold-Open
- Also available with Non Hold-Open option (DFG888-NHO)
- Quick and Easy Installation with Smooth Movement
- No Need to Have the Preset on the Floor
- Easy Installation with Base Seat Adjustable for $\pm 0.12"$ ($\pm 3\text{mm}$) Backward and Forward, $\pm 0.12"$ ($\pm 3\text{mm}$) Left and Right, and for 4° Alignment Adjustment

FEATURES

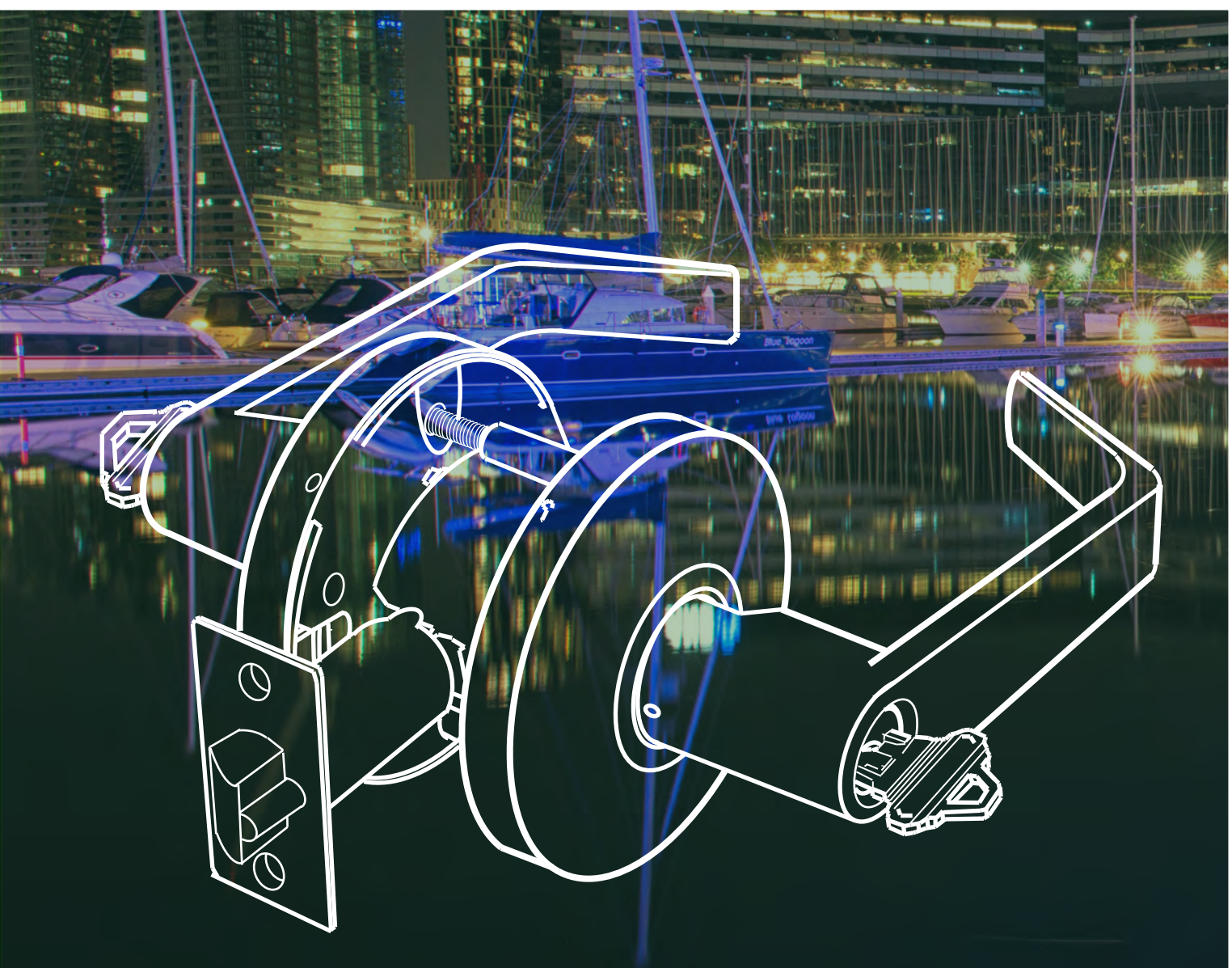
- Suggested Door Width: 29.5" - 39.4" (750-1000mm)
- Door Weight: 220 lbs. (100kgs)
- Dimensions: Length: 7.32" (186mm)
Width: 2.68" (68mm)
Thickness: 1.42" (36mm)
- Angle of Opening: 150° for both left and right opening (double action)
- Closing Speed: Optional
- Braking Speed: Optional
- Hold-Open: 90°; Optional Non Hold-Open (DFG888-NHO)
- Stock Item with Hold-Open Feature
- Warranty: 5 Years



		
DFG888-NHO	DPF-2	DPF-4
<ul style="list-style-type: none"> • Concealed Glass Floor Door Closer with Non Hold-Open feature • Non-Handed 	<ul style="list-style-type: none"> • Top Patch (door) • Non-handed 	<ul style="list-style-type: none"> • Over Panel Patch • Used on Glass Walls or Glass Overhead Panels
		
DTP-2	DTP-1	
<ul style="list-style-type: none"> • Optional Adjustable Top Pivot • Used on Hollow Door Frames 	<ul style="list-style-type: none"> • Optional Top Pivot • Used on Solid Door Frames 	



LOCKSETS





LOCKSETS

LOCKSETS



TABLE OF CONTENTS

I. GRADE 1

FEATURES & SPECIFICATIONS

NM Series.....	2
SC Series.....	12

MORTISE

ESCUTCHEON

NM Series.....	3
WI Series.....	3, 14

SECTIONAL

NM Series.....	4
SC Series.....	14

DEADBOLT

NM Series.....	8
SC Series.....	19

ACCESSORIES

NM Series.....	9
SC Series.....	15

HOSPITAL

HL Series.....	17
----------------	----

LIGATURE RESISTANT

LG Series.....	18
----------------	----

TUBULAR

HOSPP Series.....	24
-------------------	----

CYLINDRICAL

Genesys Series.....	25
Calypso Series.....	29
Omega GRB Series.....	31

DEADBOLTS

CRB800 Series.....	33
--------------------	----

II. GRADE 2

MECHANICAL

CRCODE-200 Series.....	35
------------------------	----

CYLINDRICAL

Pioneer SL & CSL Series.....	37
Commander Com (Clutch).....	39
Explorer XP & CXP Series.....	41
Challenger Series.....	43
Tuscany Series.....	45
Barrington BA Series.....	47

INTERCONNECTED

HIL Series List.....	49
JHIL Series.....	51

II. GRADE 2

DEADBOLT

T300 Series.....	55
T400 Series.....	57
CB160 & GL160 Series.....	59
SL / T220 Combo.....	61
BA / T220 Combo.....	62
T220 & GL220 Series.....	67

III. GRADE 3

CYLINDRICAL

Columbus Series.....	63
Epic Series.....	65

DEADBOLT

LSD Series.....	69
IND84 Indicator Deadbolts Series.....	70
Chelsie Series.....	77
Clipper Series.....	72
Contemporary Series.....	73
Vanguard Series.....	79
Italia Series.....	83

TUBULAR

Legacy Series.....	71
Clipper Series.....	72
Contemporary Series.....	73
Summit Series.....	74
Chelsie Series.....	75
Vanguard Series.....	79
Heritage Series.....	80
Ashley Series.....	81
Italia Series.....	83

HANDLESETS

Chelsie Series.....	78
---------------------	----

IV. KEYS & KEYING

REPLACEMENT CYLINDERS

Key-in-Knob-Lever Cylinders.....	97
Rim Cylinders.....	97
Mortise Cylinders.....	97
Mortise and Rim Cylinders.....	98
Mortise Cylinder Accessories.....	98
Standard Mortise Cams.....	98
Small Format IC Cylinders.....	99
Large Format IC Cylinders.....	100

CONTINUED NEXT PAGE



TABLE OF CONTENTS

IV. KEYS & KEYING

RESTRICTED CYLINDERS

Key-in-Knob-Lever Cylinders.....	101
Small Format IC Cylinders.....	101
Mortise Cylinders.....	101
Single Cylinder Deadbolt Kits.....	101
Double Cylinder Deadbolt Kits.....	101
Mortise and Rim Cylinder Kits.....	101
Key Blanks.....	101

HIGH SECURITY KEY (HSK) SYSTEM

Key-in-Knob-Lever Cylinders.....	103
Mortise-Rim Combo Cylinder.....	103
Small Format Interchangeable Core Cylinders.....	104
Large Format Interchangeable Core Cylinders.....	104
IC Housing.....	105
Accessories.....	106

CRP COMBI CYLINDER PROGRAM

Key-in-Knob-Lever Cylinders.....	108
Small Format IC Cylinders.....	108
Mortise Cylinders.....	108
Large Format Interchangeable Cores.....	108
European Profile Cylinders.....	108
Accessories.....	109

CAL-ROYAL

PRODUCTS, INC. U.S.A.



NM and WI SERIES EXTRA HEAVY DUTY MORTISE LOCKS GRADE 1

**LIFETIME
WARRANTY**

BHMA™
CERTIFIED
Be Safe. Be Secure. Look for the Mark.

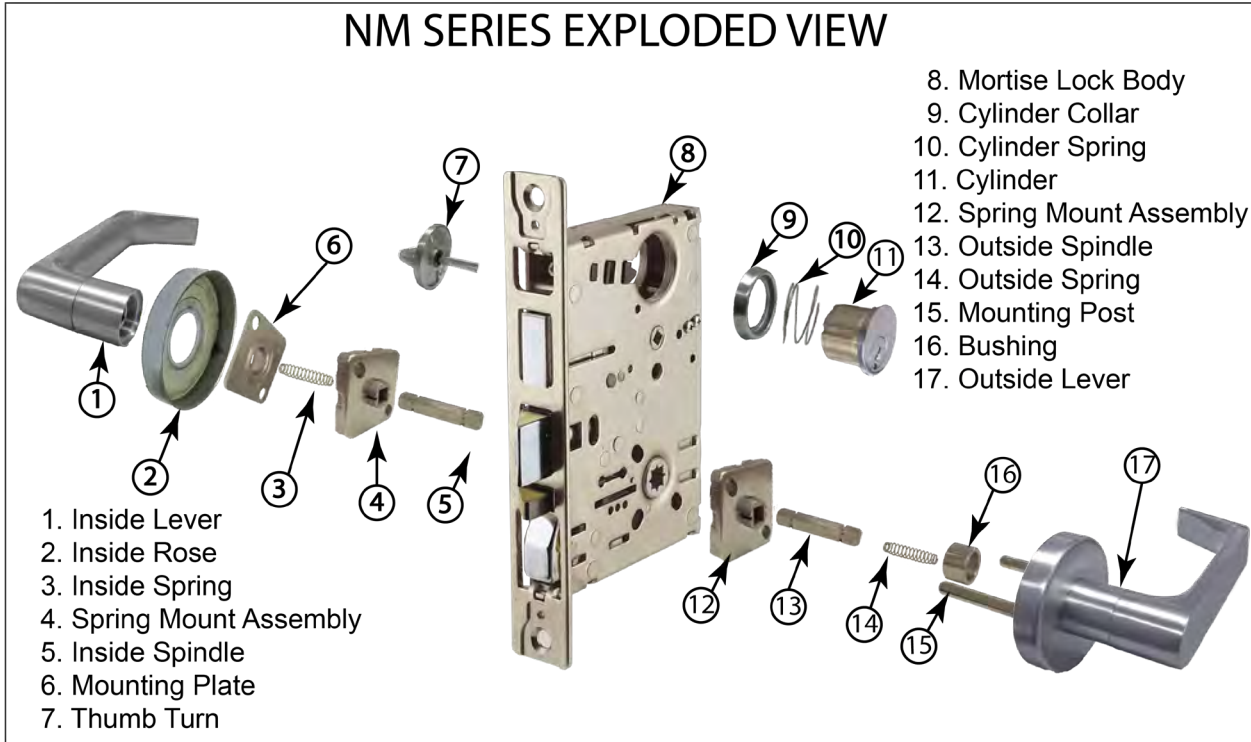
MEETS
The Buy American Act

HURRICANE APPROVED HARDWARE
FLORIDA BUILDING CODE:
FL13922
ASTM E1886/E1996
ASTM E330
TAS 201, 202, 203
UL10B
UL10C





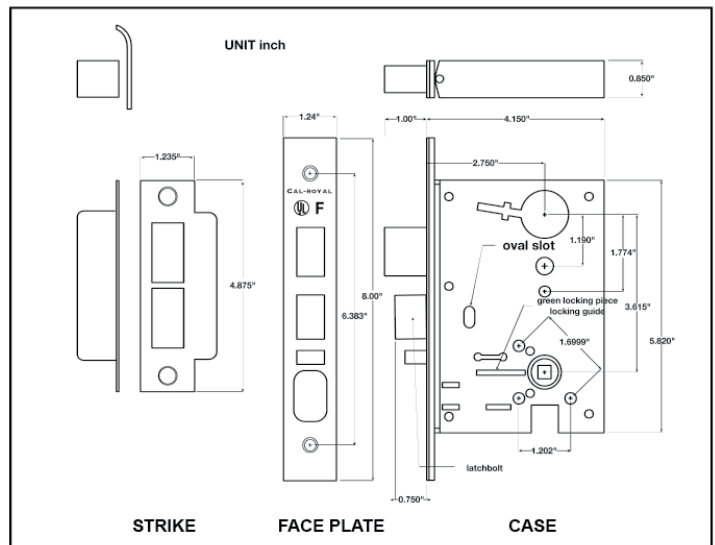
NM SERIES EXPLODED VIEW



FEATURES & SPECIFICATIONS

For Doors.....	1 3/4"
Backset.....	2 3/4"
Lockcase.....	Heavy gauge zinc chromate steel
Front.....	Heavy gauge steel 8" x 1 1/4" x 3/32". Accommodates flat doors and doors beveled 1/8" in 2"
Armored Front.....	Wrought brass attached by machine screws to lock case front
Deadbolt.....	1" throw, brass chrome-plated with hardened steel rollers
Guard Bolt.....	Extruded brass, chrome plated
Stop Works.....	Rocker type, brass, chrome-plated
Strikes.....	Brass, non-handed curve strike 4 7/8" x 1/4". Curved-up strike available upon request
Handing.....	Handed. Easily field-reversible
Trim.....	As specified
Cylinder.....	As specified
Keyway.....	As specified
Finishes.....	As specified
UL Listing.....	UL Listed "A" Label (3 hours), for use on fire doors, single or pair of doors. "F" mark stamped on strike
ANSI.....	Lock body conforms to Federal specification Type 86; and to all dimensional and operational performances of ANSI A156.13, Series 1000 Grade 1, exceeds 1,000,000 cycles

- 100% internal parts quality inspection provides security, reliability and durability
- Available with Best, Falcon and Arrow, Schlage, Corbin / Russwin, Sargent, and Yale Interchangeable core.
- ICSC - Schlage LFIC
- ICCR - Corbin / Russwin LFIC
- ICSR - Sargent LFIC
- ICYA - Yale LFIC
- Electrified Locks available.





NM SERIES ESCUTCHEON TRIMS & FINISHES



► **KEYWAYS AVAILABLE**

6 pin solid brass "C" keyway Mortise cylinder standard. Optional: Schlage E, Schlage C-K, Russwin D1-2-3-4, Corbin 59 / 60, Sargent LA-LB-LC, Falcon / Weiser E, Arrow A, Yale 8, Yale GA and Kwikset. Can also accept Medeco, Assa and Kaba High Security Cylinders.

► **WIDE ESCUTCHEON AVAILABLE**

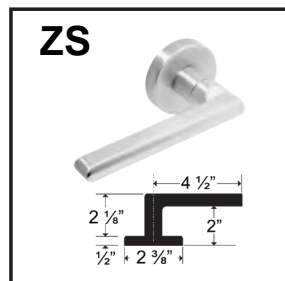
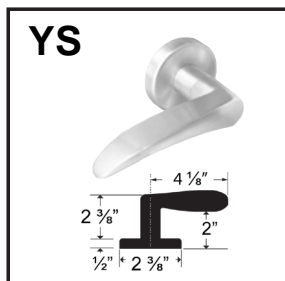
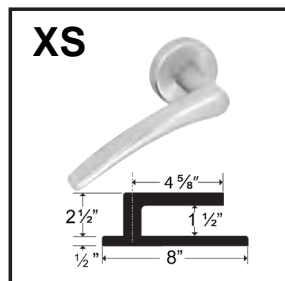
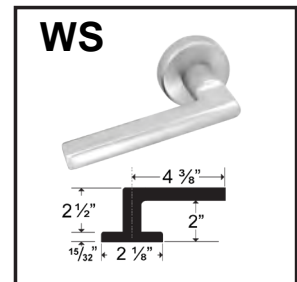
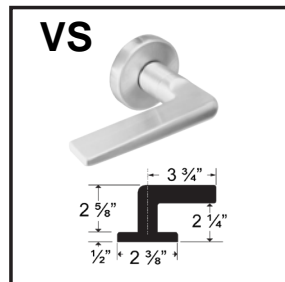
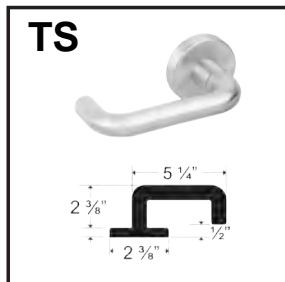
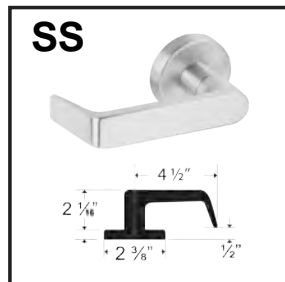
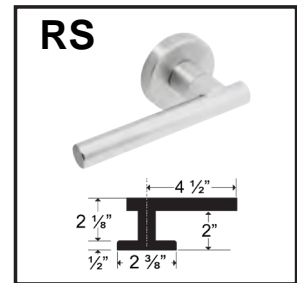
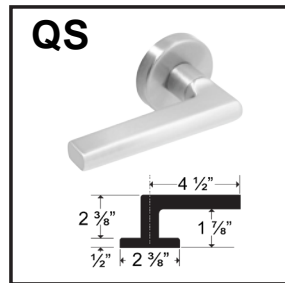
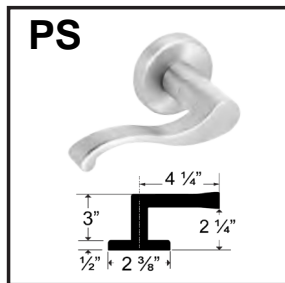
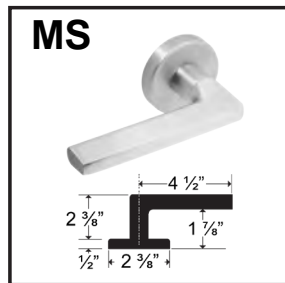
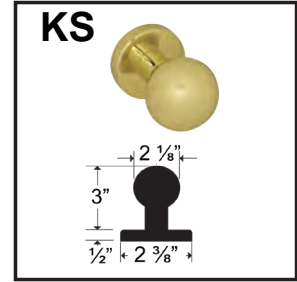
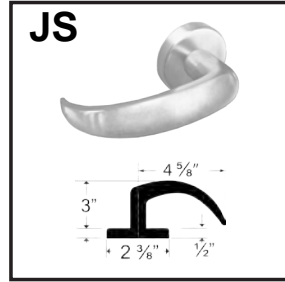
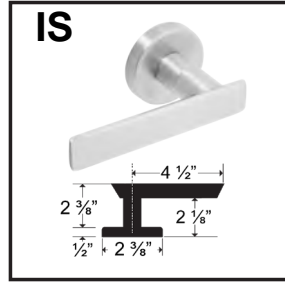
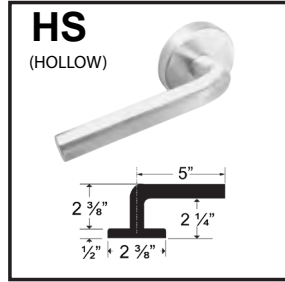
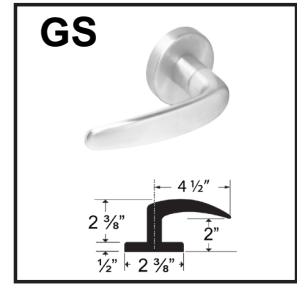
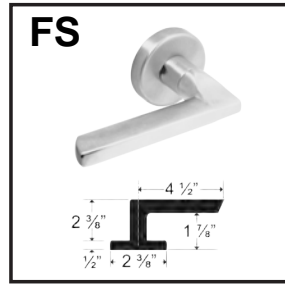
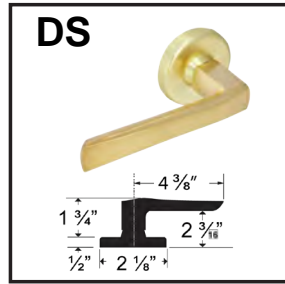
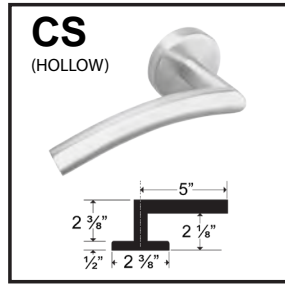
All trim designs for standard escutcheon are available for "WI" wide escutcheon series. Specify design code when referencing "WI" Series in the Pricelist. Availability and finish subject to factory lead time and minimum order.

► **ESCUTCHEON DIMENSION:** 2 1/2" w x 8 3/4" h x 1/2" t

MEETS
The Buy American Act

LIFETIME WARRANTY **BHMA CERTIFIED**
Be Safe. Be Secure. Look for the Mark.

NM SERIES SECTIONAL TRIMS & FINISHES



MEETS
The Buy American Act

LIFETIME WARRANTY **BHMA CERTIFIED**
Be Safe. Be Secure. Look for the Mark.

FINISHES					
Symbol	BHMA	Description	Symbol	BHMA	Description
US3	605	Polished Brass	US26D	626	Satin Chrome
US4	606	Satin Brass	US26	625	Polished Chrome
US10	612	Satin Bronze	US32D	630	Stainless Steel
US10B	613	Oil Rubbed Bronze			



ITEM	MATERIAL
Rose	Brass / Stainless Steel
Levers	Brass / Zinc / Stainless Steel
Escutcheons	Brass / Zinc / Stainless Steel

OUTSIDE	INSIDE	SERIES/ FUNCTION	TYPE	ANSI	FUNCTION DESCRIPTION
		NM8050	Office / Entrance	F04	Latch bolt retracted by key outside and inside lever when outside lever is locked. Outside lever retracts latch bolt unless outside lever is locked by operating toggle button. Outside lever is locked and unlocked by toggle button. Key outside locks outside lever only. When latch bolt is retracted by inside lever, outside lever remains locked. Auxiliary latch deadlocks latch bolt when door is closed. Inside lever is always free for immediate exit.
		NM8056	NM8050 with Automatic Unlocking	---	Latch bolt retracted by knob / lever from either side unless outside is made inoperative by key outside or by rotating inside thumbturn. Outside knob / lever unlocked by key outside or thumbturn. Rotating inside knob / lever simultaneously retracts latch bolt and unlocks outside knob / lever. Auxiliary latch deadlocks bolt when door is locked. Inside knob / lever is always free of immediate egress.
		NM8070	Classroom	F05	Outside key locks and unlocks outside lever. Outside lever retracts latch bolt unless outside lever is locked by key. When outside lever is locked, unlocked from outside by key or by inside lever. Inside lever is always free for immediate exit. Auxiliary latch deadlocks latch bolt when door is closed.
		NM8071	Classroom Security Lock	F32	Latch bolt retracted by knob / lever from either side unless outside is locked by key from either side. When outside lever is locked, latch bolt is retracted by key outside or lever inside. Turning key from either side locks and unlocks outside lever. Auxiliary latch deadlocks latch bolt when door is locked. Inside knob / lever is always free for immediate egress.
		NM8076	Classroom Hold-Back Lock	F06	Latch bolt retracted by knob / lever from either side unless outside is locked by key. When locked, latch bolt retracted by key outside or knob / lever inside. Auxiliary latch deadlocks latch bolt when door is locked. Depress inside knob / lever and turn key 360° for hold-back feature.
		NM8077	Classroom Security Hold-Back Lock	---	Latch bolt retracted by knob / lever from either side unless outside is locked by key from either side. When locked, latch bolt retracted by key outside or knob / lever inside. Auxiliary latch deadlocks latch bolt when door is locked. Depress inside knob / lever and turn key 360° for hold-back feature. Inside knob / lever is always free for immediate egress.
		NM8457	Classroom Security Lock w/ Deadbolt	F33	Latch bolt retracted by outside lever from either side unless outside lever is locked by key from inside or outside. Deadbolt projected or retracted by key outside. Operating inside lever retracts both deadbolt and latch bolt simultaneously and unlock outside lever. Inside knob / lever is always free for immediate egress.
		NM8458	Classroom Security Lock w/ Deadbolt and Auxiliary Latch	F34	Latch bolt retracted by lever from either side unless outside lever is locked from inside or outside by key. Deadbolt projected or retracted by key outside. Operating inside lever retracts both bolts and unlocks outside lever. Auxiliary latch deadlocks latch bolt when door is closed or latch bolt deadlocks when deadbolt is projected. Inside lever is always free for immediate egress.
		M8463	Classroom Lock	F29	Deadbolt thrown or retracted by key from outside. Inside thumbturn cylinder retracts deadbolt but cannot project it.
		NM8080	Storeroom	F07	Latch bolt operated by key from outside or rotating inside lever, outside lever is always inoperative. Auxiliary latch deadlocks latch bolt when door is closed. Inside lever is always free for immediate egress.
		NM8480	Storeroom Lock with Deadbolt	---	Latch bolt retracted by key outside or by lever or knob inside. Outside knob / lever is always fixed. Deadbolt thrown or retracted by key outside or thumbturn inside. Turning inside knob / lever simultaneously retracts both deadbolt and latch bolt. Auxiliary latch deadlocks latch bolt when door is closed. Inside knob / lever is always free for immediate egress.
		NM8453	Entrance	F20	Latch bolt retracted by lever from either side unless outside lever is locked by operating toggle button. Deadbolt projected by key from outside or by thumbturn from inside. Both deadbolt and latch bolt are retracted by inside lever simultaneously. Latch bolt is deadlocked when outside lever is locked or when deadbolt is projected. Outside lever is unlocked by toggle button if deadbolt is retracted. Inside lever is always free for immediate egress.
		NM8456	Corridor	F13	Latch bolt retracted by knob / lever from either side. Deadbolt thrown or retracted by key outside or inside thumbturn. Throwing deadbolt locks outside knob / lever. Turning inside knob / lever simultaneously retracts deadbolt and latch bolt and unlocks outside knob / lever. Inside knob / lever is always free for immediate egress.

OUTSIDE	INSIDE	SERIES/ FUNCTION	TYPE	ANSI	FUNCTION DESCRIPTION
		NM8473	Dormitory / Bedroom	F21	Latch bolt retracted by knob or lever from either side. Deadbolt extended or retracted by key outside or thumb turn inside. Latch bolt and deadbolt are independent of each other.
		M8460	Cylinder x Thumbturn Lock	F17	Deadbolt thrown or retracted by key outside or thumbturn inside.
		NM8466	Store Door Lock	F14	Latch bolt operated by lever from either side. Deadbolt projected or retracted by key on either side. Latch bolt and deadbolt are independent of each other.
		M8462	Double Cylinder Lock	F16	Deadbolt operated by key from either side.
		M8464	Cylinder Lock	F18	Deadbolt thrown or retracted by key from outside only. No trim on opposite side.
		NM8082	Asylum / Institution Lock	F30	Latch bolt retracted by key from either side. Knob / lever on both sides always inoperative. Auxiliary latch deadlocks latch bolt when door is closed.
		NM8465	Closet / Storeroom with Deadbolt	F65	Latch bolt retracted by knob or lever from either side. Deadbolt extended or retracted by key outside.
		NM8044	Privacy w/ Coin Turn Outside	F22	Latch bolt retracted by knob / lever from either side unless outside is locked by inside thumbturn or outside coin turn. Operating inside knob / lever, closing door, rotating inside thumbturn or rotating outside coin turn unlocks outside knob / lever. Inside knob / lever is always free for immediate exit.
		NM8440	Privacy with Deadbolt	F19	Latch bolt retracted by knob / lever from either side. Deadbolt thrown or retracted by inside thumbturn. Throwing deadbolt locks outside knob / lever. Rotating inside knob / lever simultaneously retracts deadbolt and latch bolt, and unlocks outside knob / lever. To unlock from outside, insert emergency thumbturn in access hole and rotate. Inside knob / lever is always free for immediate egress.
		NM8444	Privacy w/ Deadbolt and Coin Turn Outside	F19A	Latch bolt retracted by knob / lever from either side. Deadbolt thrown or retracted by inside thumbturn or outside coin turn. Throwing deadbolt locks outside knob / lever. Rotating inside knob / lever simultaneously retracts deadbolt and latch bolt, and unlocks outside knob / lever. Rotating outside coin turn retracts deadbolt and unlocks outside knob / lever. Inside knob lever is always free for immediate egress.
		NM8445	Privacy w/ Deadbolt, Coin Turn Outside and "OCCUPIED" Indicator	F19B	Latch bolt retracted by knob / lever from either side. Deadbolt thrown or retracted by inside thumbturn or outside coin turn. Throwing deadbolt locks outside knob / lever and displays "OCCUPIED" plate. Rotating inside knob / lever simultaneously retracts deadbolt and latch bolt, and unlocks outside knob / lever. Rotating outside coin turn retracts deadbolt and unlocks outside knob / lever. Inside knob lever is always free for immediate egress.

OUTSIDE	INSIDE	SERIES/ FUNCTION	TYPE	ANSI	FUNCTION DESCRIPTION
		NM8495	Privacy with "OCCUPIED" Indicator	---	Knob / lever retracts latch bolt from either side. Dead bolt thrown or retracted by key outside (retraction by key required in the event of an emergency) or inside thumbturn. Throwing deadbolt locks outside knob / lever and displays "OCCUPIED" plate. Rotating inside knob / lever simultaneously retracts both deadbolt and latch bolt and unlocks outside knob / lever. Inside lever is always free for immediate egress.
		NM8485	Faculty Restroom Lock	---	Latch bolt retracted by key outside or by knob / lever inside. Outside knob / lever is always fixed. Dead bolt thrown or retracted by inside thumbturn. When dead bolt is thrown, all keys become inoperable except emergency or display keys. Turning inside knob / lever retracts both deadbolt and latch bolt simultaneously. Auxiliary latch deadlocks latch bolt when door is closed. Inside knob / lever is always free for immediate egress.
		NM8486	NM8485 with "OCCUPIED" Indicator	---	Latch bolt retracted by key outside or by knob / lever inside. Outside knob / lever always fixed. Deadbolt thrown or retracted by inside thumbturn. When deadbolt is thrown, "OCCUPIED" plate is displayed and all keys become inoperative except emergency keys. Turning inside knob / lever simultaneously retracts both deadbolt and latch bolt. Auxiliary latch deadlocks latch bolt when door is locked. Inside knob / lever is always free for immediate egress.
		NM8010	Passage	F01	Latch bolt operated by lever from either side at all times. Inside lever is always free for immediate exit.
		NM8170	Single Fixed Dummy	---	Lever on one side fixed by mounting bar is always rigid. Lever is used as door pull only.
		NM8172	Double Fixed Dummy	---	Lever on both sides fixed by mounting bar is always rigid. Lever is used as door pull only.
		NM8175	Single Dummy Trim with Lock Case	---	Lever on one side fixed on door surface is always rigid. Includes lock case and armored front.
		NM8176	Double Dummy Trim with Lock Case	---	Lever on both sides fixed on door surface and are always rigid. Includes lock case and blank armor front.
		NM8080-EL	Electrically Locked (Fail Safe)	---	Outside knob / lever continuously locked by 12 or 24V AC or DC. Latch bolt retracted by key outside or by knob / lever inside. Switch or power failure allows outside knob / lever to retract latch bolt. Auxiliary latch deadlocks latch bolt when door is locked. Inside knob / lever is always free for immediate egress.
		NM8080-EU	Electrically Unlocked (Fail Secure)	---	Outside knob / lever unlocked by 12 or 24V AC or DC. Latch bolt retracted by key outside or knob / lever inside. Auxiliary latch deadlocks latch bolt when door is locked. Inside knob / lever is always free for immediate egress.
		NM8080-ELRX NM8080-EURX	Request to Exit (RE) Electrified Lock	---	Same as NM8080EL and NM8080EU functions. In addition, a micro switch positioned inside the lock case monitors the retractor crank, and is actuated when rotation of the inside or outside knob / lever rotates the retractor hub. The switch signals the use of that opening to security systems, allowing a non-disruptive means of immediate egress.
		NM8082FS NM8082FSE	NM8082 Electrically locked or Electrically Unlocked Both Sides	---	EL: Outside and inside knob or lever continually locked electrically. Latch bolt retracted by key either side. Switch or power failure allows outside and inside knob / lever to retract latch bolt. Auxiliary latch deadlocks latch bolt when door is closed. EU: Outside and inside knob / lever unlocked electrically. Latch bolt retracted by key either side. Switch or power failure keeps inside and outside knob / lever locked. Auxiliary latch deadlocks latch bolt when door is locked.

HEAVY DUTY ANSI 156.36 GRADE 1 SMALL LOCK CASE	NM SERIES MORTISE DEADBOLTS	HEAVY DUTY ANSI 156.36 GRADE 1 FULL MORTISE
---	--	--






Lock Case:
3 15/16" x 3 5/8" x 1"
(100 mm x 92 mm x 25 mm)

Faceplate:
1 1/4" x 5 19/32" x 7/32"
(32 mm x 142 mm x 6 mm)

Strike:
1 1/8" x 3 1/2" (29 mm x 89 mm)

- Any door in commercial or institutional buildings where the best auxiliary Mortise deadbolt locks are required
 - Backset: 2 3/4" (70 mm)
 - Door Range: 1 3/4" (44 mm), available to 2 1/4" (57 mm). Specify thickness if other than 1 3/4"
 - Deadbolt: 1" (25 mm) throw, stainless steel, can withstand cutting or sawing
 - Cylinder: 1 1/8" Mortise cylinder Schlage "C" (standard). Otherwise specify
 - Heavy Gauge Steel Lock Case
 - Brass Deadbolt with Hardened Steel Inserts 1" Throw
 - Architectural Finishes including stainless steel available
- Mortise Cylinder**
- Cylinder length is 1 1/8"
 - (under shoulder including cam)
 - With clover leaf cam
- 

NM SERIES	
LOCK CASE	4" x 5 3/4" x 1" 102 mm x 146 mm x 25.4 mm
FACE PLATE	1 1/4" x 8" x 1/8" 32 mm x 203 mm x 3.175 mm
STRIKE	1 1/4" x 4 1/8" 32 mm x 124 mm


MODEL #	FUNCTIONS	MODEL #
SM4608 ANSI E06071	Cylinder and Thumbturn Deadbolt thrown or retracted by key outside or thumbturn inside	M8460 ANSI F17
SM4628 ANSI E06061	Double Cylinder Deadbolt operated by key on either side	M8462 ANSI F16
SM4638 ANSI E06091	Classroom Lock Deadbolt thrown or retracted by key from outside. Inside cylinder turn retracts deadbolt but cannot project it. Specify handing.	M8463 ANSI F29
SM4648 ANSI E06081	Cylinder Lock Deadbolt thrown or retracted by key from one side. No trim on opposite side	M8464 ANSI F18
SM4808	Door Bolt Deadbolt thrown or retracted by thumbturn from one side. No trim on opposite side	M8480
SM4968	Deadbolt With "Occupied" Indicator Deadbolt thrown or retracted by key outside or thumbturn inside. When deadbolt is thrown "OCCUPIED" plate is displayed	M8496

PACKAGING INCLUDES

- UL listed single point latch
- Standard "C", 6 pin cylinder
- Non-handed strike

OPTIONAL INTERCHANGEABLE CORE

- For Best, Falcon and Arrow Interchangeable Core prefix "IC" before Part#. (Mortise housing Part# ICH961387)
- For Schlage Large Format Interchangeable Core prefix "ICSC" before Part#. For Corbin / Russwin Large Format Interchangeable Core prefix "ICCR" before Part#. For Sargent Large Format Interchangeable Core prefix "ICSA" before Part#. For Yale Large Format Interchangeable Core prefix "ICYA" before Part#. (Mortise housing Part# 7000ICMC)



ADDITIONAL KEYWAYS
6 pin solid brass "C" keyway standard. Optional: Schlage E, Schlage C-K, Russwin D1-2-3-4, Corbin 59 / 60, Sargent LA-LB-LC, Falcon / Weiser E, Arrow A, Yale 8, Yale GA and Kwikset. Can also accept Medeco, Assa, Kaba and Cal-Royal HSK High Security Cylinders.

NM SERIES

Kits and Accessories

► ADA Thumbturn

Optional Disability Turn (ADA) on applicable mortise locks.
Prefix "ADA" before Mortise lock PART#.



ADA THUMBTURN

► QUICKMARK TEMPLATE

Available heavy duty steel template for fast and easy installation.
Reduces installation time. Eliminates using paper templates.



QUICKMARK TEMPLATE

► FOR 2" up to 2 1/4" Thick door

Order kit:
SSMKIT214 – for sectional trim
SEMKIT214 – for escutcheon trim

► LEAD LINING

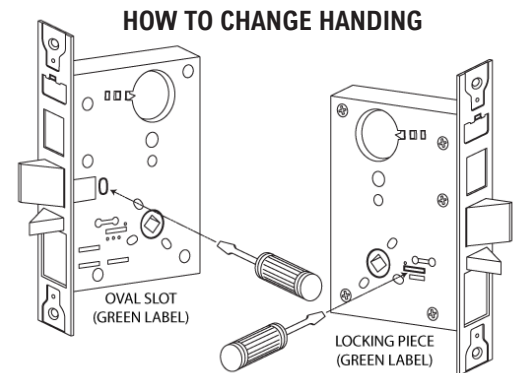
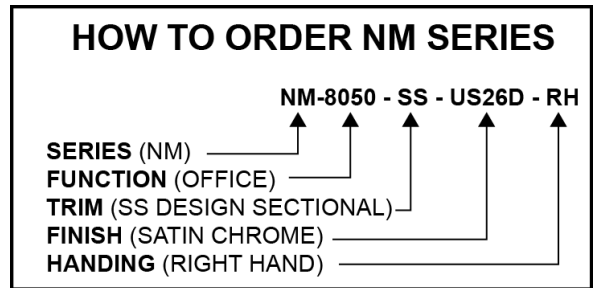
Available on request. Prefix "LEAD" before PART#.

► ANTI MICROBIAL COATING

Available on request on US26D and US32D finishes.
Longer factory lead time usually applies.
Prefix "ANTB" before PART#.

► HOW TO CHANGE HANDING

1. Insert blade screwdriver into the oval slot behind latch bolt (green label).
2. Push latch bolt out until it is entirely away from the lock case.
3. Rotate latch bolt to adjust handing.
4. Use blade screwdriver to push down the locking piece (green label) to end.
5. Handing is completely reversed.



WARNING!

Please read the instruction on the installation guide about the correct position of spring cage.

Privacy Indicators

Privacy with Key Outside and "OCCUPIED" Indicator

NM8495

- Deadbolt thrown or retracted by key outside or inside thumbturn
- Knob / lever retracts latch bolt from either side
- Throwing deadbolt locks outside knob / lever and displays "OCCUPIED" plate
- Rotating inside knob / lever simultaneously retracts both deadbolt and latch bolt and unlocks outside knob / lever
- Inside lever is always free for immediate egress



Faculty Restroom with Key Outside and "OCCUPIED" Indicator

NM8486

- Latch bolt retracted by key outside or by knob / lever inside. Outside knob / lever always fixed
- Deadbolt thrown or retracted by inside thumbturn
- When deadbolt is thrown, "OCCUPIED" plate is displayed and all keys become inoperative except emergency keys
- Turning inside knob / lever simultaneously retracts both deadbolt and latch bolt
- Auxiliary latch deadlocks latch bolt when door is locked Inside lever is always free for immediate egress



Privacy with Deadbolt, Coin Turn Outside and "OCCUPIED" Indicator

NM8445

- Deadbolt thrown or retracted by inside thumbturn or outside coin turn
- Rotating outside coin turn retracts deadbolt and unlocks outside knob / lever
- Latch bolt retracted by knob / lever from either side
- Throwing deadbolt locks outside knob / lever and displays "OCCUPIED" plate
- Rotating inside knob / lever simultaneously retracts deadbolt and latch bolt and unlocks outside knob / lever
- Inside lever is always free for immediate egress



NM SERIES

Electrified Mortise Locks

Available on NM8080 and NM8480 Functions only

► Electrified Part #ELEC

(Specify Options)

FEATURES:

- UL and CSFM Listings
- Continuous duty solenoids for cooler operation during “continuously ON” applications
- Standard plug-in rectifier allows for an AC or DC power source
- Low current draw
- Numerous switch options
- 3 year “No Hassle” warranty

OPTIONS:

- Voltage requirement -12V AC / DC or 24V AC / DC
- Amperage – 700mA @ 12V or 350mA @ 24V
- Function – available “Fail Safe” (FS) or “Fail Secure” (FSE)

► REX – Request to Exit

Available on NM8080 and NM8480 Functions only

Electrically Locked FS (Fail Safe)

NM8080FS

- Outside knob / lever continuously locked by 24V AC or DC
- Latch bolt retracted by key outside or knob / lever inside
- Switch or power failure allows outside knob / lever to retract latch bolt
- Auxiliary latch deadlocks latch bolt when door is locked
- Inside knob / lever is always free for immediate egress

Electrically Unlocked FSE (Fail Secure)

NM8080FSE

- Outside knob / lever unlocked by 24V AC or DC
- Latch bolt retracted by key outside or knob / lever inside
- Auxiliary latch deadlocks latch bolt when door is locked
- Inside lever is always free for immediate egress

Electrically Locked or Electrically Unlocked Both Sides

NM8082FS

- Outside and inside knob / lever continually locked electrically
- Latch bolt retracted by key either side
- Switch or power failure allows outside and inside knob / lever to retract latch bolt
- Auxiliary latch deadlocks latch bolt when door is closed

NM8082FSE

- Outside and inside knob / lever unlocked electrically
- Latch bolt retracted by key either side
- Switch or power failure keeps outside and inside knob / lever locked
- Auxiliary latch deadlocks latch bolt when door is locked

Request to Exit (RX) Electrified Lock

NM8080FSE-RX / NM8080FS-RX

- Same as NM8080EL and NM8080EU functions
- A micro switch positioned inside the lock case monitors the retractor crank, and is actuated when rotation of the inside or outside knob / lever rotates the retractor hub
- The switch signals the use of that opening to security systems, allowing a non-disruptive means of immediate egress



NM8480



NM8080



CAL-ROYAL
P R O D U C T S , I N C . U . S . A .



SC SERIES

**EXTRA HEAVY DUTY MORTISE LOCKS
WITH *CLUTCH*
GRADE 1**

RETROFITS SCHLAGE L9000 SERIES MORTISE LOCKS



**LIFETIME
WARRANTY**

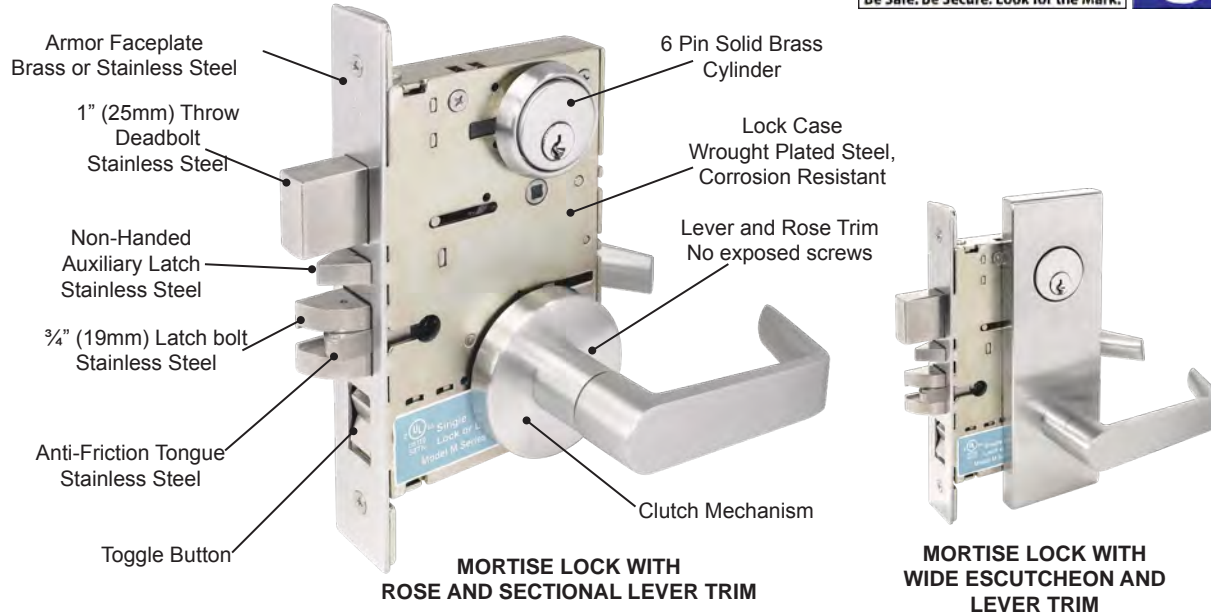


**MEETS
The Buy American Act**

Architectural Hardware

SC SERIES

Grade 1 Extra Heavy Duty Mortise Locks
with CLUTCH free-wheeling
ANSI BHMA A156.13 - 2005



MORTISE LOCK WITH ROSE AND SECTIONAL LEVER TRIM

MORTISE LOCK WITH WIDE ESCUTCHEON AND LEVER TRIM

- Can retrofit Schlage L9000 Series mortise lock without drilling any additional holes on the door for sectional and escutcheon trims
- Fully reversible design
- No exposed mounting screws on outside and inside trims
- Outside lever has a Clutch (Free-Wheeling design). The lever rotates when the lever is locked preventing excessive force from being applied to the horizontal lever. The design decreases the chance of the lever being broken or damaged
- Lock body conforms to all dimensional and operational performances of ANSI A156.13, Grade 1, exceeds 1,000,000 cycles

SPECIFICATIONS

FOR DOORS

1 3/4" (44.5mm) thick standard. For doors over 1 3/4" (44.5mm), specify door thickness

LOCK HAND

Lock bodies are easily field reversible, no need to specify hand when ordering

BACKSET & STRIKE

2 3/4" (70mm) only backset. Brass or stainless steel strike; ANSI Standard A115.1; curve lip with dust box

LOCK CASE

Heavy Duty wrought steel, zinc dichromate plated

CENTER TO CENTER

Center of lever to center of cylinder is 3 7/8" (98mm)

ARMOR FACEPLATE

Brass or stainless steel; 8" x 1 7/32" (203mm x 31.3mm); ANSI Standard A115.1

DEADBOLT

1" (25.4mm) throw; hardened stainless steel

LATCH BOLT

3/4" (19mm) throw; one-piece stainless steel with anti-friction reversible tongue

CYLINDER & KEYWAYS

6-pin solid brass "C" keyway standard. Optional: Schlage E, Schlage C-K, Russwin D1-2-3-4, Corbin 59 / 60, Corbin-Russwin L4, Sargent LA-LB-LC, Falcon / Weiser E, Arrow A, Yale 8, Yale GA and Kwikset. Can also accept Medeco, Assa, Kaba and Cal-Royal HSK High Security Cylinders.

INTERCHANGEABLE CORE (IC)

Interchangeable Core locks will accept compatible 6 or 7 pin cores with BEST, FALCON and ARROW. Also available with SCHLAGE, CORBIN / RUSSWIN D-1 thru 4, SARGENT LA, and YALE GA Large Format Cylinders.

TOGGLE BUTTON

High rust-resistant chrome plated zinc alloy

MASTER KEYING

Can be master-keyed or grand master-keyed, construction keying available

FINISHES: US3, 4, 10, 10B, 15, 26, 26D, 32, 32D

AUXILIARY LATCH: Stainless Steel, non-handed

CERTIFICATIONS

ANSI / BHMA

Meets ANSI / BHMA A158.13 Series 1000 Grade 1 requirements

UL / cUL

UL and UL Listed to Canadian safety standard for A label (3-hour fire door); stamped letter F and UL symbol on armor faceplate

POSITIVE PRESSURE

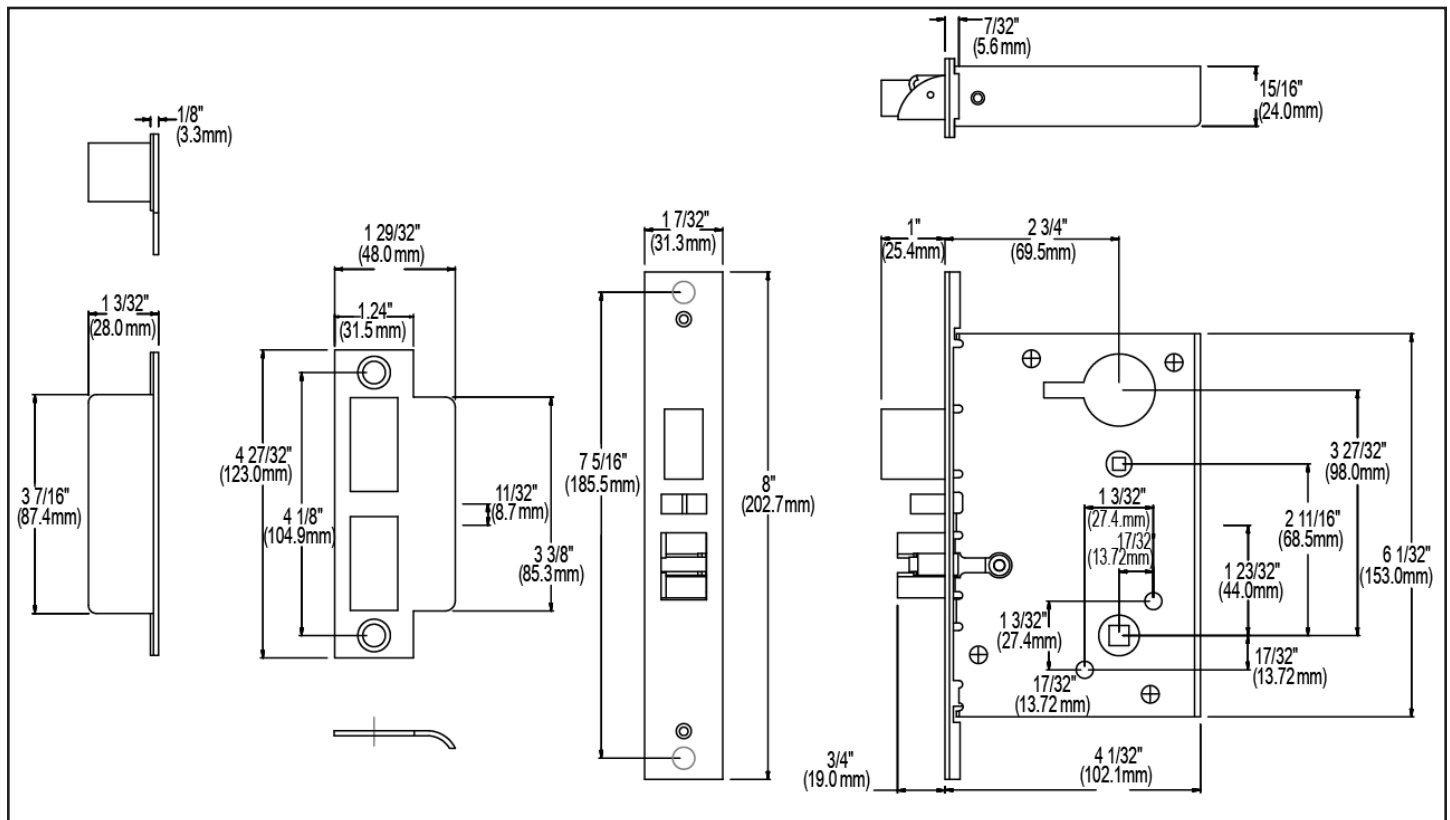
Meets positive pressure requirements UL 10C and UBC 7-2 (1997)

ADA

Meets ADA requirements, specifically designed for Barrier Free Application

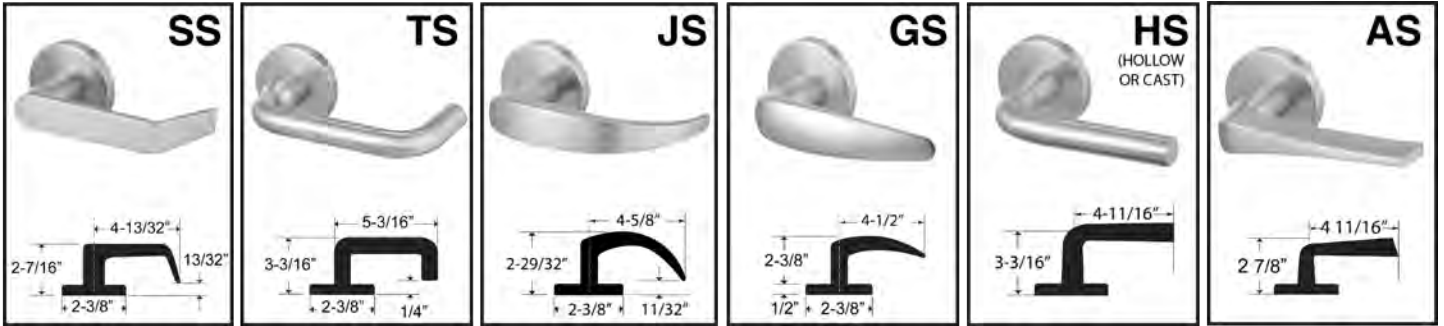


DIMENSIONS

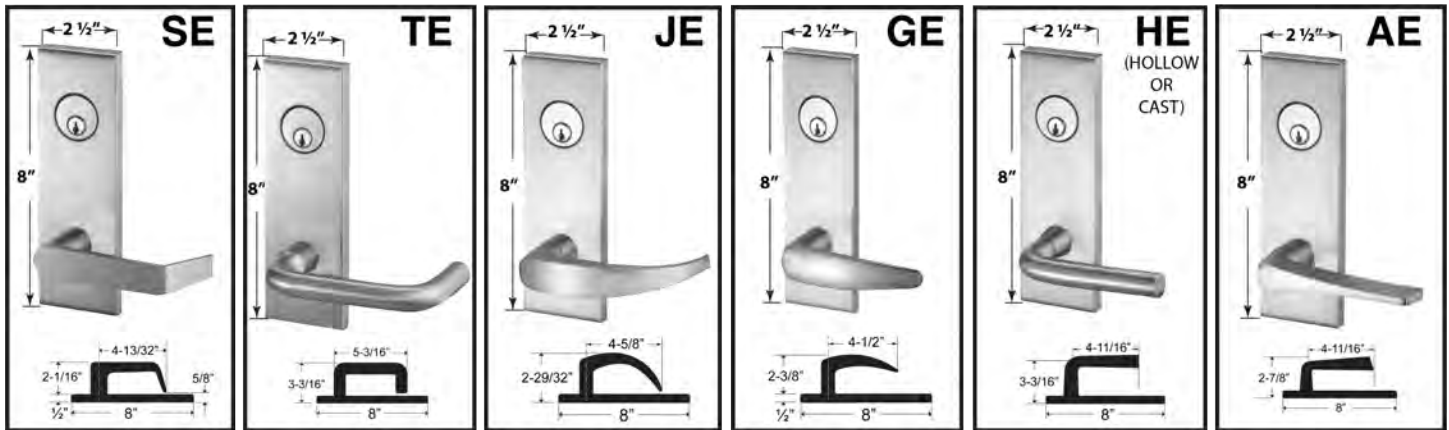


TRIMS & FINISHES

SECTIONAL



WIDE ESCUTCHEON



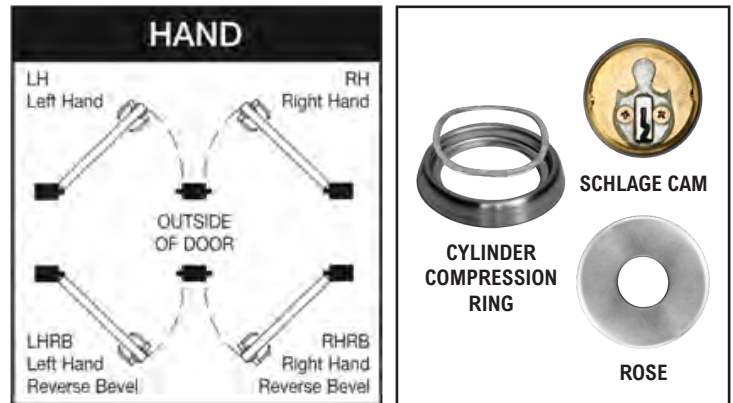
FINISHES		
Symbol	BHMA	Description
US3	605	Polished Brass
US4	606	Satin Brass
US10B	613	Oil Rubbed Bronze
US26	625	Polished Chrome
US26D	626	Satin Chrome
US10	612	Satin Bronze
US32D	630	Stainless Steel

ITEM	MATERIAL
Rose	Brass / Stainless Steel
Levers	Brass / Zinc / Stainless Steel
Escutcheons	Brass / Zinc / Stainless Steel

HOW TO ORDER (SC SERIES)

SC8050 - SS - US26D

FUNCTION (OFFICE) ———— ↑
 TRIM (SS DESIGN SECTIONAL) ———— ↑
 FINISH (SATIN CHROME) ———— ↑



All products are shipped non-handed.
Easily field reversible.

- Available with Best, Falcon and Arrow, Schlage, Corbin / Russwin, Sargent, and Yale Interchangeable core.
- ICSC - Schlage LFIC
- ICCR - Corbin / Russwin LFIC
- ICSR - Sargent LFIC
- ICYA - Yale LFIC

SC SERIES

Kits and Accessories

► ADA Thumbturn

Optional Disability Turn (ADA) on applicable mortise locks.

Prefix "ADA" before Mortise lock PART#.

Order kit:

SCSADA - ADA Thumbturn for Sectional

SCEADA - ADA Thumbturn for Escutcheon



► LEAD LINING

Available on request

Prefix **LEAD** before Mortise Lock PART#.

► ANTI MICROBIAL COATING

Available on request on US26D and US32D finishes.

Longer factory lead time usually applies.

Prefix "**ANTB**" before PART#.

► FOR 2" up to 2 1/4" Thick door

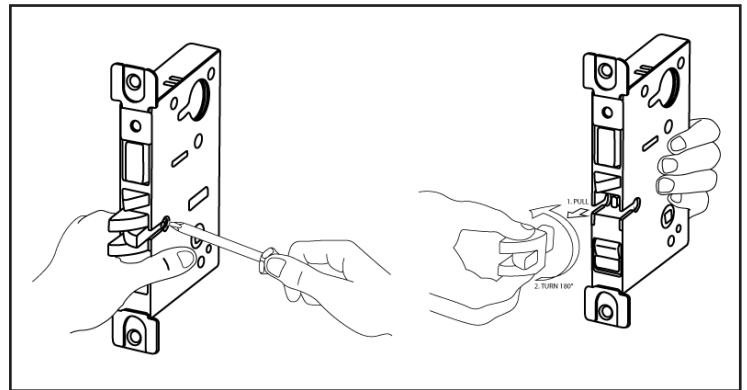
Order kit:

SCSKIT200 – for sectional trim

SCEKIT214 – for escutcheon trim

► HOW TO CHANGE HANDING

If the handing of the latch bolt does not match the door handing, remove locking screw and pull latch bolt out from lock case, then turn 180°, making the bevel of the latch bolt face the opposite hand. Replace the latch bolt and fasten the locking screw.



Indicator Mortise Locks

Privacy with Key Outside and "OCCUPIED" Indicator

SC8495

- Deadbolt thrown or retracted by key outside or inside thumbturn
- Knob / lever retracts latch bolt from either side
- Throwing deadbolt locks outside knob / lever and displays "OCCUPIED" plate
- Rotating inside knob / lever simultaneously retracts both deadbolt and latch bolt and unlocks outside knob / lever
- Inside lever is always free for immediate egress



SC8495
SC8486

Faculty Restroom with Key Outside and "OCCUPIED" Indicator

SC8486

- Latch bolt retracted by key outside or by knob / lever inside. Outside knob / lever always fixed
- Deadbolt thrown or retracted by inside thumbturn
- When deadbolt is thrown, "OCCUPIED" plate is displayed and all keys become inoperative except emergency keys
- Turning inside knob / lever simultaneously retracts both deadbolt and latch bolt
- Auxiliary latch deadlocks latch bolt when door is locked
- Inside lever is always free for immediate egress



SC8445

Privacy with Deadbolt, Coin Turn Outside and "OCCUPIED" Indicator

SC8445

- Deadbolt thrown or retracted by inside thumbturn or outside coin turn
- Rotating outside coin turn retracts deadbolt and unlocks outside knob / lever
- Latch bolt retracted by knob / lever from either side
- Throwing deadbolt locks outside knob / lever and displays "OCCUPIED" plate
- Rotating inside knob / lever simultaneously retracts deadbolt and latch bolt and unlocks outside knob / lever
- Inside lever is always free for immediate egress



SC SERIES

Electrified Mortise Locks

Available on SC8080 and SC8480 Functions only

► Electrified Part #ELEC

(Specify Options)

FEATURES:

- UL and CSFM Listings
- Continuous duty solenoids for cooler operation during “continuously ON” applications
- Standard plug-in rectifier allows for an AC or DC power source
- Low current draw
- Numerous switch options
- 3 year “No Hassle” warranty

OPTIONS:

- Voltage requirement -12V AC / DC or 24V AC / DC
- Amperage – 700mA @ 12V or 350mA @ 24V
- Function – available “Fail Safe” (FS) or “Fail Secure” (FSE)

► REX – Request to Exit

Available on SC8080 and SC8480 Functions only

Electrically Locked FS (Fail Safe)

SC8080FS

- Outside knob / lever continuously locked by 24V AC or DC
- Latch bolt retracted by key outside or knob / lever inside
- Switch or power failure allows outside knob / lever to retract latch bolt
- Auxiliary latch deadlocks latch bolt when door is locked
- Inside knob / lever is always free for immediate egress

Electrically Unlocked FSE (Fail Secure)

SC8080FSE

- Outside knob / lever unlocked by 24V AC or DC
- Latch bolt retracted by key outside or knob / lever inside
- Auxiliary latch deadlocks latch bolt when door is locked
- Inside lever is always free for immediate egress

Electrically Locked or Electrically Unlocked Both Sides

SC8082FS

- Outside and inside knob / lever continually locked electrically
- Latch bolt retracted by key either side
- Switch or power failure allows outside and inside knob / lever to retract latch bolt
- Auxiliary latch deadlocks latch bolt when door is closed

SC8082FSE

- Outside and inside knob / lever unlocked electrically
- Latch bolt retracted by key either side
- Switch or power failure keeps outside and inside knob / lever locked
- Auxiliary latch deadlocks latch bolt when door is locked

Request to Exit (RX) Electrified Lock

SC8080FSE-RX/ SC8080FS-RX

- Same as SC8080EL and SC8080EU functions
- A micro switch positioned inside the lock case monitors the retractor crank, and is actuated when rotation of the inside or outside knob / lever rotates the retractor hub
- The switch signals the use of that opening to security systems, allowing a non-disruptive means of immediate egress



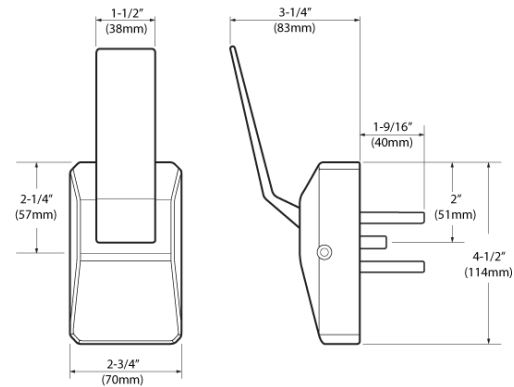
SC8480



SC8080

SC SERIES

Grade 1 Heavy Duty Hospital Latch HL Trims Push-Pull Trim with Mortise Lock



FEATURES

- The push-pull trim can be mounted in vertical (up or down) and horizontal applications in the field
- Through-bolted design for trims with lockcase for more stability
- Handing is easily field reversible
- Fits 1 3/4" (44mm) thick standard RHR or LHR hollow metal doors & wood doors, over 1 3/4" (44mm) is also available (specify door thickness when ordering)
- Push-Pull trim is non-handed, easy installation
- Mortise lock functions available (recommended): F01, F04, F05, F09, F11, F13, B14, F19 F20, F22, F30
- Handles are cast stainless steel, corrosion protected
- Patented in USA and UL Listed
- Available in BHMA finishes

SC SERIES

GRADE 1 • HEAVY DUTY • ANSI A.156.13 - 2005
LIGATURE RESISTANT (LG) MORTISE LOCK TRIM



ESCUTCHEON LEVER (LGE)



ESCUTCHEON KNOB (LGX)



SECTIONAL LEVER (LGS)



SECTIONAL KNOB (LGK)

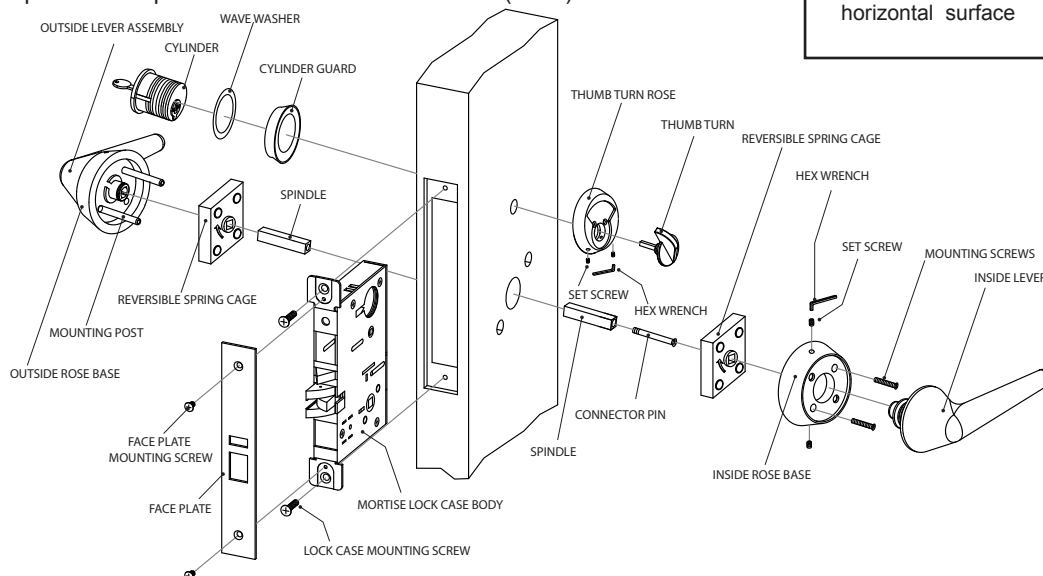
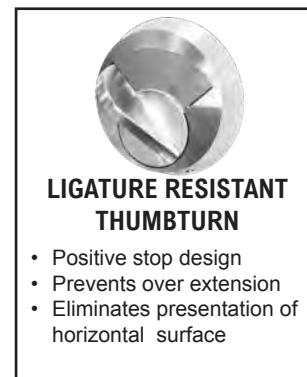
FEATURES







- ANSI A156.13-2005 Grade 1 mortise locks
- Outside lever clutch free-wheeling design.
- The lever rotates when the lever is locked preventing excessive force from being applied to the horizontal lever. This design decreases the chance of the lever being broken or damaged
- Ligature Resistant lever design helps to prevent intentional or accidental hanging
- Anti-vandal cylinder guard is standard, deters forcible removal of cylinder with any type of wrench or hammer
- Different functions available to satisfy individual security and safety requirements
- Tamper resistant concealed mounting set screws
- Non-handed, fully field reversible
- Heavy duty escutcheon and sectional trim available
- No exposed mounting screws
- Can retrofit Schlage L9000 Series mortise lock bodies
- Trim Suffixes: S-Lever Sectional E-Lever Escutcheon
K-Knob Sectional X-Knob Escutcheon

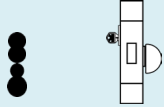
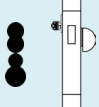
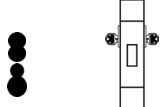
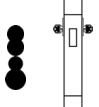
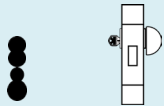
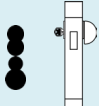
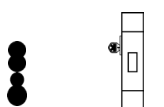
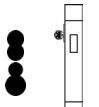
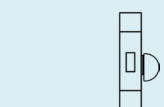
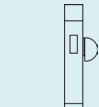
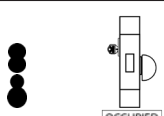
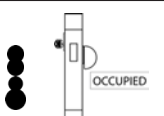



CERTIFICATIONS

- Meets ANSI / BHMA A156.13 Series 1000 Grade 1 Requirements
- UL and cUL listed to Canadian safety standard for A label (3-hour fire door); stamped letter "F" and UL symbol on armor faceplate
- Meets positive pressure requirements UL 10C and UBC 7-2 (1997)



HEAVY DUTY ANSI 156.5 GRADE 1 SMALL LOCK CASE	SC SERIES MORTISE DEADBOLTS	HEAVY DUTY ANSI 156.13 GRADE 1 FULL MORTISE
  <p>Lock Case: 3 15/16" x 3 5/8" x 15/16" (100 mm x 92 mm x 25 mm)</p> <p>Faceplate: 1 1/4" x 5 5/8" x 1 7/32" (32 mm x 142 mm x 6 mm)</p> <p>Strike: 1 1/8" x 3 1/2" (29 mm x 89 mm)</p>	<p>Any door in commercial or institutional buildings where the best auxiliary Mortise deadbolt locks are required</p> <ul style="list-style-type: none"> Backset: 2 3/4" (70 mm) Door Range: 1 3/4" (44.5 mm), available to 2 1/4" (57 mm) Deadbolt: 1" (25 mm) throw, stainless steel, can withstand cutting or sawing Cylinder: 1 1/4" Mortise cylinder Schlage "C" (standard) Heavy Gauge Steel Lock Case Brass Deadbolt with Hardened Steel, 1" Throw Satin Chrome Finish ANSI 156.13 Exceeds 1,000,000 cycles <p>Mortise Cylinder</p> <ul style="list-style-type: none"> Cylinder length is 1 1/8" (under shoulder including cam) With Schlage cam (L583-2540) 	 <p>SC SERIES</p> <p>Lock Case: 4" x 6 1/32" x 1 7/32" (102 mm x 153 mm x 31.3 mm)</p> <p>Faceplate: 1 7/32" x 8" x 1/8" (31.3 mm x 203 mm x 3.175 mm)</p> <p>Strike: 1 7/8" x 4 27/32" (48 mm x 123 mm)</p>  

MODEL #	FUNCTIONS	MODEL #
SM140 	Cylinder and Thumbturn Deadbolt thrown or retracted by key outside or thumbturn inside	SC8460 ANSI F17 
SM143 	Double Cylinder Deadbolt operated by key on either side	SC8462 ANSI F16 
SM141 	Classroom Lock Deadbolt thrown or retracted by key from outside Inside cylinder turn retracts deadbolt but cannot project it. Specify handing.	SC8463 ANSI F29 
SM142 	Cylinder Lock Deadbolt thrown or retracted by key from one side. No trim on opposite side	SC8464 ANSI F18 
SM145 	Door Bolt Deadbolt thrown or retracted by thumbturn from one side. No trim on opposite side	SC8461 
SM146 	Deadbolt With "Occupied" Indicator Deadbolt thrown or retracted by key outside or thumbturn inside. When deadbolt is thrown "OCCUPIED" plate is displayed	SC8496 
PACKAGING INCLUDES <ul style="list-style-type: none"> UL listed single point latch Standard "C", 6 pin cylinder Non-handed strike 	OPTIONAL INTERCHANGEABLE CORE <ul style="list-style-type: none"> For Best, Falcon and Arrow Interchangeable Core prefix "IC" before Part#. (Mortise housing Part# ICH961387) For Schlage Large Format Interchangeable Core prefix "ICSC" before Part#. For Corbin / Russwin Large Format Interchangeable Core prefix "ICCR" before Part#. For Sargent Large Format Interchangeable Core prefix "ICSA" before Part#. For Yale Large Format Interchangeable Core prefix "ICYA" before Part#. (Mortise housing Part# 7000ICMC) 	

ADDITIONAL KEYWAYS
 6 pin solid brass "C" keyway standard. Optional: Schlage E, Schlage C-K, Russwin D1-2-3-4, Corbin 59 / 60, Sargent LA-LB-LC, Falcon / Weiser E, Arrow A, Yale 8, Yale GA and Kwikset. Can also accept Medeco, Assa, Kaba and Cal-Royal HSK High Security Cylinders.

OUTSIDE	INSIDE	SERIES/FUNCTION	TYPE	ANSI	FUNCTION DESCRIPTION
		SC8050 SC8050HL SC8050LG	Office / Entrance	F04	Latch bolt retracted by key outside and inside lever when outside lever is locked. Outside lever retracts latch bolt unless outside lever is locked by operating toggle button. Outside lever is locked and unlocked by toggle button. Key outside locks outside lever only. When latch bolt is retracted by inside lever, outside lever remains locked. Auxiliary latch deadlocks latch bolt when door is closed. Inside lever is always free for immediate exit.
		SC8056	Office with Automatic Unlocking	---	Latch bolt retracted by knob / lever from either side unless outside is made inoperative by key outside or by rotating inside thumbturn. Outside knob / lever unlocked by key outside or thumbturn. Rotating inside knob / lever simultaneously retracts latch bolt and unlocks outside knob / lever. Auxiliary latch deadlocks bolt when door is locked. Inside knob / lever is always free of immediate egress.
		SC8070 SC8070HL SC8070LG	Classroom	F05	Outside key locks and unlocks outside lever. Outside lever retracts latch bolt unless outside lever is locked by key. When outside lever is locked, unlocked from outside by key or by inside lever. Inside lever is always free for immediate exit. Auxiliary latch deadlocks latch bolt when door is closed.
		SC8071 SC8071LG	Classroom Security Lock	F32	Latch bolt retracted by knob / lever from either side unless outside is locked by key from either side. When outside lever is locked, latch bolt is retracted by key outside or lever inside. Turning key from either side locks and unlocks outside lever. Auxiliary latch deadlocks latch bolt when door is locked. Inside knob / lever is always free for immediate egress.
		SC8076	Classroom Hold-Back Lock	F06	Latch bolt retracted by knob / lever from either side unless outside is locked by key. When locked, latch bolt retracted by key outside or knob / lever inside. Auxiliary latch deadlocks latch bolt when door is locked. Depress inside knob / lever and turn key 360° for hold-back feature.
		SC8077	Classroom Security Hold-Back Lock	---	Latch bolt retracted by knob / lever from either side unless outside is locked by key from either side. When locked, latch bolt retracted by key outside or knob / lever inside. Auxiliary latch deadlocks latch bolt when door is locked. Depress inside knob / lever and turn key 360° for hold-back feature. Inside knob / lever is always free for immediate egress.
		SC8457 SC8457LG	Classroom Security Lock w/ Deadbolt	F33	Latch bolt retracted by outside lever from either side unless outside lever is locked by key from inside or outside. Deadbolt projected or retracted by key outside. Operating inside lever retracts both deadbolt and latch bolt simultaneously and unlock outside lever. Inside knob / lever is always free for immediate egress.
		SC8458 SC8458LG	Classroom Security Lock w/ Deadbolt and Auxiliary Latch	F34	Latch bolt retracted by lever from either side unless outside lever is locked from inside or outside by key. Deadbolt projected or retracted by key outside. Operating inside lever retracts both bolts and unlocks outside lever. Auxiliary latch deadlocks latch bolt when door is closed or latch bolt deadlocks when deadbolt is projected. Inside lever is always free for immediate egress.
		SC8463	Classroom Lock	F29	Deadbolt thrown or retracted by key from outside. Inside thumbturn cylinder retracts deadbolt but cannot project it.
		SC8080 SC8080LG	Storeroom	F07	Latch bolt operated by key from outside or rotating inside lever, outside lever is always inoperative. Auxiliary latch deadlocks latch bolt when door is closed. Inside lever is always free for immediate egress.
		SC8480	Storeroom Lock with Deadbolt	---	Latch bolt retracted by key outside or by lever or knob inside. Outside knob / lever is always fixed. Deadbolt thrown or retracted by key outside or thumbturn inside. Turning inside knob / lever simultaneously retracts both deadbolt and latch bolt. Auxiliary latch deadlocks latch bolt when door is closed. Inside knob / lever is always free for immediate egress.
		SC8453 SC8453HL SC8453LG	Entrance	F20	Latch bolt retracted by lever from either side unless outside lever is locked by operating toggle button. Deadbolt projected by key from outside or by thumbturn from inside. Both deadbolt and latch bolt are retracted by inside lever simultaneously. Latch bolt is deadlocked when outside lever is locked or when deadbolt is projected. Outside lever is unlocked by toggle button if deadbolt is retracted. Inside lever is always free for immediate egress.

OUTSIDE	INSIDE	SERIES/FUNCTION	TYPE	ANSI	FUNCTION DESCRIPTION
		SC8456 SC8456HL SC8456LG	Corridor	F13	Latch bolt retracted by knob / lever from either side. Deadbolt thrown or retracted by key outside or inside thumbturn. Throwing deadbolt locks outside knob / lever. Turning inside knob / lever simultaneously retracts deadbolt and latch bolt and unlocks outside knob / lever. Inside knob / lever is always free for immediate egress.
		SC8473 SC8473HL SC8473LG	Dormitory / Bedroom	F21	Latch bolt retracted by knob or lever from either side. Deadbolt extended or retracted by key outside or thumbturn inside. Latch bolt and deadbolt are independent of each other.
		SC8460	Cylinder x Thumbturn Lock	F17	Deadbolt thrown or retracted by key outside or thumbturn inside.
		SC8060 SC8060HL SC8060LG	Apartment Entrance / Vestibule	F09	Latch bolt operated by lever from either side except when outside lever is locked by inside key. Outside key or inside lever will retract latch when locked. Key inside locks and unlocks outside lever. Auxiliary latch deadlocks latch bolt when door is closed. Inside lever is always free for immediate egress.
		SC8466 SC8466HL SC8466LG	Store Door Lock (Asylum-4)	F14	Latch bolt operated by lever from either side. Deadbolt projected or retracted by key on either side. Latch bolt and deadbolt are independent of each other.
		SC8462	Double Cylinder Lock	F16	Deadbolt operated by key from either side.
		SC8464	Cylinder Lock	F18	Deadbolt thrown or retracted by key from outside only. No trim on opposite side.
		SC8082 SC8082HL SC8082LG	Asylum / Institution Lock	F30	Latch bolt retracted by key from either side. Knob / lever on both sides always inoperative. Auxiliary latch deadlocks latch bolt when door is closed.
		SC8465	Closet / Storeroom with Deadbolt	F65	Latch bolt retracted by knob or lever from either side. Deadbolt extended or retracted by key outside.
		SC8044	Privacy w/ Coin Turn Outside	F22	Latch bolt retracted by knob / lever from either side unless outside is locked by inside thumbturn or outside coin turn. Operating inside knob / lever, closing door, rotating inside thumbturn or rotating outside coin turn unlocks outside knob / lever. Inside knob / lever is always free for immediate exit.
		SC8440 SC8440HL SC8440LG	Privacy with Deadbolt	F19	Latch bolt retracted by knob / lever from either side. Deadbolt thrown or retracted by inside thumbturn. Throwing deadbolt locks outside knob / lever. Rotating inside knob / lever simultaneously retracts deadbolt and latch bolt, and unlocks outside knob / lever. To unlock from outside, remove emergency button, insert emergency thumbturn in access hole and rotate. Inside knob / lever is always free for immediate egress.
		SC8049 SC8049HL SC8049LG	Privacy Bedroom / Bath	F22	Latch bolt operated by lever from either side except when outside lever is locked by inside turn or button. Operating inside lever, closing door or operating outside emergency release unlocks outside lever. Inside lever is always free for immediate exit.

OUTSIDE	INSIDE	SERIES/FUNCTION	TYPE	ANSI	FUNCTION DESCRIPTION
		SC8444	Privacy w/ Deadbolt and Coin Turn Outside	F19A	Latch bolt retracted by knob / lever from either side. Deadbolt thrown or retracted by inside thumbturn or outside coin turn. Throwing deadbolt locks outside knob / lever. Rotating inside knob / lever simultaneously retracts deadbolt and latch bolt, and unlocks outside knob / lever. Rotating outside coin turn retracts deadbolt and unlocks outside knob / lever. Inside knob / lever is always free for immediate egress.
		SC8445	Privacy w/ Deadbolt, Coin Turn Outside and "OCCUPIED" Indicator	F19B	Latch bolt retracted by knob / lever from either side. Deadbolt thrown or retracted by inside thumbturn or outside coin turn. Throwing deadbolt locks outside knob / lever and displays "OCCUPIED" plate. Rotating inside knob / lever simultaneously retracts deadbolt and latch bolt, and unlocks outside knob / lever. Rotating outside coin turn retracts deadbolt and unlocks outside knob / lever. Inside knob lever is always free for immediate egress.
		SC8495	Privacy with "OCCUPIED" Indicator	---	Knob / lever retracts latch bolt form either side. Deadbolt thrown or retracted by key outside (retraction by key required in the event of an emergency) or inside thumbturn. Throwing deadbolt locks outside knob / lever and displays "OCCUPIED" plate. Rotating inside knob / lever simultaneously retracts both deadbolt and latch bolt and unlocks outside knob / lever. Inside lever is always free for immediate egress.
		SC8485	Faculty Restroom Lock	---	Latch bolt retracted by key outside or by knob / lever inside. Outside knob / lever is always fixed. Deadbolt thrown or retracted by inside thumbturn. When dead bolt is thrown, all keys become inoperable except emergency or display keys. Turning inside knob / lever retracts both deadbolt and latch bolt simultaneously. Auxiliary latch deadlocks latch bolt when door is closed. Inside knob / lever is always free for immediate egress.
		SC8486	SC8485 with "OCCUPIED" Indicator	---	Latch bolt retracted by key outside or by knob / lever inside. Outside knob / lever always fixed. Deadbolt thrown or retracted by inside thumbturn. When deadbolt is thrown, "OCCUPIED" plate is displayed and all keys become inoperative except emergency keys. Turning inside knob / lever simultaneously retracts both deadbolt and latch bolt. Auxiliary latch deadlocks latch bolt when door is locked. Inside knob / lever is always free for immediate egress.
		SC8411HL SC8411LG	Dormitory / Exit Lock	F11	Latch bolt retracted by lever from either side unless outside lever is made inoperative by operating toggle button. Dead bolt projected by key from either side. Dead bolt retracted by key outside. Operating inside lever retracts both dead bolt and latch bolt simultaneously and outside lever remains locked.
		SC8010 SC8010HL SC8010LG	Passage	F01	Latch bolt operated by lever from either side at all times. Inside lever is always free for immediate exit.
		SC8170	Single Fixed Dummy	---	Lever on one side fixed by mounting bar is always rigid. Lever is used as door pull only.
		SC8172	Double Fixed Dummy	---	Lever on both sides fixed by mounting bar is always rigid. Lever is used as door pull only.
		SC8175	Single Dummy Trim with Lock Case	---	Lever on one side fixed on door surface is always rigid. Includes lock case and armored front.
		SC8176	Double Dummy Trim with Lock Case	---	Lever on both sides fixed on door surface and are always rigid. Includes lock case and blank armor front.
		SC8080EL	Electrically Locked (Fail Safe)	---	Outside knob / lever continuously locked by 12 or 24V AC or DC. Latch bolt retracted by key outside or by knob / lever inside. Switch or power failure allows outside knob / lever to retract latch bolt. Auxiliary latch deadlocks latch bolt when door is locked. Inside knob / lever is always free for immediate egress.

OUTSIDE	INSIDE	SERIES/FUNCTION	TYPE	ANSI	FUNCTION DESCRIPTION
		SC8080EU	Electrically Unlocked (Fail Secure)	---	Outside knob / lever unlocked by 12 or 24V AC or DC. Latch bolt retracted by key outside or knob / lever inside. Auxiliary latch deadlocks latch bolt when door is locked. Inside knob / lever is always free for immediate egress.
		SC8080EU-RX SC8080EL-RX	Request to Exit (RE) Electrified Lock	---	Same as SC8080EL and SC8080EU functions. In addition, a micro switch positioned inside the lock case monitors the retractor crank, and is actuated when rotation of the inside or outside knob / lever rotates the retractor hub. The switch signals the use of that opening to security systems, allowing a non-disruptive means of immediate egress.
		SC8082EL SC8082EU	SC8082 Electrically locked or Electrically Unlocked Both Sides	---	EL: Outside and inside knob or lever continually locked electrically. Latch bolt retracted by key either side. Switch or power failure allows outside and inside knob / lever to retract latch bolt. Auxiliary latch deadlocks latch bolt when door is closed. EU: Outside and inside knob / lever unlocked electrically. Latch bolt retracted by key either side. Switch or power failure keeps inside and outside knob / lever locked. Auxiliary latch deadlocks latch bolt when door is locked.
		SC8026LG	Supervisor Office or Privacy Room (Institutional Privacy)	F26	Outside key retracts latch bolt, with override of inside thumbturn when held in locked position. Outside lever retracts latch bolt except when locked by thumbturn. Free exit at all times. Inside lever can be rotated at any time.
		SC8031LG (Asylum-1)	Asylum w/o Inside Cylinder	---	Only outside key retracts latch bolt. Inside and Outside Lever are clutch, free-wheeling.
		SC8032LG (Asylum-2)	Asylum w/ Double Cylinder w/o Inside Lever	---	Outside or inside key retracts latch bolt. Outside Lever is clutch, free-wheeling.
		SC8033LG (Asylum-3)	Asylum w/o Inside Cylinder w/o Inside Lever	---	Only outside key retracts latch bolt. Outside lever is clutch, freewheeling.
		SC8467LG (Asylum-5)	Asylum w/ Deadbolt w/o Inside Cylinder	---	Outside lever retracts both latch bolt and deadbolt simultaneously. Outside key operates deadbolt. Outside lever is operable. Inside lever is clutch, freewheeling.
		SC8468LG (Asylum-6)	Asylum w/ Deadbolt & Double Cylinder w/o Inside Lever	---	Outside or inside key operates deadbolt. Outside Lever is operable unless deadbolted.
		SC8469LG (Asylum-7)	Asylum w/ Deadbolt w/o Inside Cylinder & Inside Lever	---	Outside lever retracts latch bolt. Outside key operates deadbolt. Outside lever can open door except when deadbolted.
		SC8055LG	Female Patient Room-1	---	Outside lever can be turned for entry when unlocked by key. Free exit at all times. Remains locked if exiting. Outside lever is lockable. Inside lever can be rotated at any time.
		SC8056LG	Female Patient Room-2	---	Outside lever can be turned for entry when unlocked by key. Free exit at all times. Remains unlocked if exiting. Inside lever can be rotated at any time.

HOSPP SERIES

Grade 1 Heavy Duty Hospital Latch



MEETS
The Buy American Act

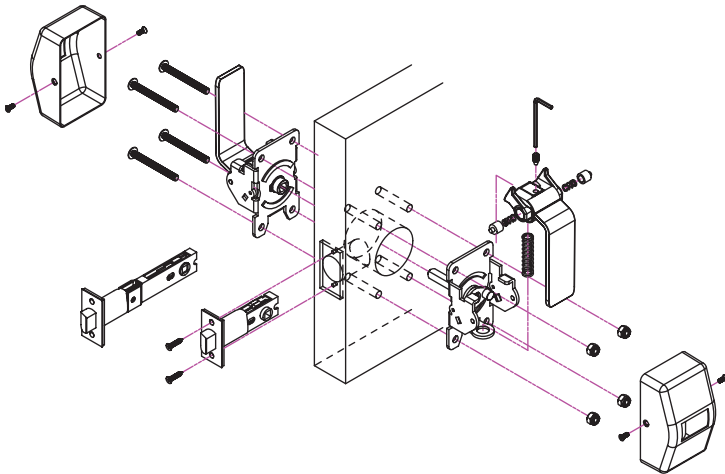


HOSPP-30

FEATURES

- UL-listed for use on all fire doors
- Meets ADA requirements
- Ideal for use in hospitals, washrooms or public buildings
- Can be installed in 6 different mounting positions
- Covers and paddles are made of stainless steel
- Non-Handed
- Standard T-Strike and Plastic Dust Box
- 1 3/4" door thickness
- 2 3/4" backset standard, face plate 1 1/8" x 2 1/4"
- Optional 5" backsets
- 2 5/8" x 4 3/8" Covers
- 2 5/8" Handle Projection, Anti-microbial coating option available
- Lead lining option available for doors with lead lining
- Optional ASA ANSI Strike

MODEL#	FUNCTION	FINISH
HOS-PP20	PRIVACY	US32D
HOS-PP30	PASSAGE	



The hospital push / pull latch allows for easy opening of doors with an easy push or pull action using elbows or hips when hands are not free.

Ideal for use in commercial applications, institutions, hospitals, washrooms or public buildings.

HORIZONTAL WITH 5" BACKSET

HORIZONTAL WITH 2-3/4" or 5" BACKSET

VERTICAL UP (INSIDE) UP (OUTSIDE)

VERTICAL DOWN (INSIDE) DOWN (OUTSIDE)

VERTICAL UP (INSIDE) DOWN (OUTSIDE)

VERTICAL DOWN (INSIDE) UP (OUTSIDE)

INSTALLATION OPTIONS

GENESYS

CLUTCH MECHANISM

FIXED THRU BOLT INSTALLATION

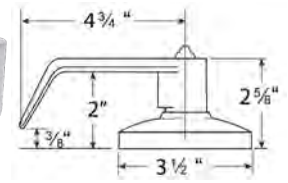
Interchangeable Core for BEST, FALCON & ARROW



Meets ADA requirements
Specially designed for
Barrier Free Application
Conforms with BHMA / ANSI A156.2
Series 4000, Grade 1 requirements
Exceeds 1,000,000 cycles

CLUTCH

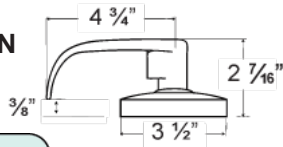
Free turning handle in the locked position, without retracting the latch to help prevent breaking of handle



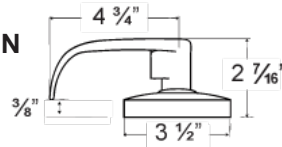
GN DESIGN



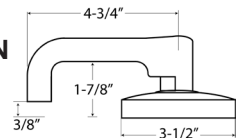
SPA DESIGN



AT DESIGN



TUB DESIGN



SPECIFICATIONS

GENERAL

Full length 4 3/4" lever handle with 3/8" return on GN and SPA Design. Rose diameter 3 1/2". Key removable outside lever for fast re-keying. Non-handed levers. Concealed mounting screws.

CLUTCH

Free turning handle in the lock position without retracting the latch, to deter breaking of handle.

APPLICATIONS

For offices, schools, hospitals, apartments, hotel / motel, residential, commercial and public buildings.

DOOR RANGES

1 3/8" to 1 3/4" thickness. 2" to 2 1/4" thickness also available on request.

ANSI STANDARDS

Meets or exceeds BHMA / ANSI A 156.2 Series 4000, grade 1 requirements.

LATCH FACEPLATE

Standard 2 1/4" x 1 1/8" for 2 3/4" backset. Optional 2 1/4" x 1" for 2 3/8" backset.

STRIKES

ASA 1 1/4" x 4 7/8" standard. Other strikes available upon request.

CYLINDER & KEYWAYS

6 pin solid brass "C" keyway standard. Schlage E, Schlage C-K, Russwin D1-2-3-4, Corbin 59/60, Corbin-Russwin L4, Sargent LA-LB-LC, Falcon / Weiser E, Arrow A, Yale 8, Yale GA and Kwikset. Can also accept Medeco, Assa, Kaba and Cal-Royal (HSK) High Security Cylinders.

TRIM

Thru-bolted assembly through door with separate spring cage for each lever.

HOUSING

Cold Rolled Steel and Zinc Dichromate finish for rust resistance with precision cast steel retractor. 2 1/8" diameter bore.

INTERCHANGEABLE CORE (IC)

Interchangeable Core locks will accept compatible 6 or 7 pin cores with BEST, FALCON and ARROW. Also available with SCHLAGE, CORBIN / RUSSWIN, SARGENT and YALE large format cylinders. For Schlage, Corbin / Russwin, Sargent and Yale format specifications, refer to next page.

LATCH OPTIONS

2 3/4" standard, brass with 1/2" throw. 2 3/8", 3 3/4" and 5" backset optional. GND750 deadlatch reversible for flat and beveled door. 3/4" throw anti-friction deadlatch for pair of fire doors.

ELECTRIFIED LOCKS, TACTILE & LEAD LINING available upon request.

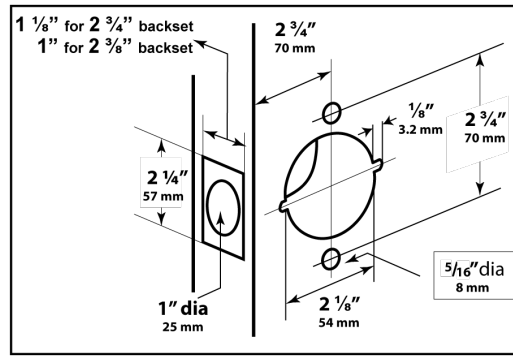
GENESYS SERIES FINISHES AND FUNCTIONS



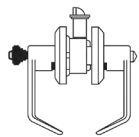
FINISHES AVAILABLE		
BHMA SYMBOL	US CODE	DESCRIPTION
605	US3	Polished Brass
606	US4	Satin Brass
609	US5	Antique Brass
612	US10	Satin Bronze
613	US10B	Oil Rubbed Bronze
619	US15	Satin Nickel
625	US26	Polished Chrome
626	US26D	Satin Chrome

Refer to price list for stock finishes and functions

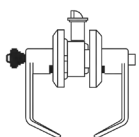
DOOR PREPARATION



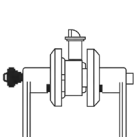
- CGN00**
ICCGN00
 ANSI: F109
 FED#161A



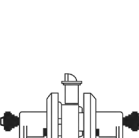
ENTRANCE / OFFICE LOCK
 Turn / Push button locking. Pushing and turning button locks outside lever requiring use of key until button is manually unlocked. Pushing button locks outside lever until unlocked with key or inside lever is turned.
- CGN01**
ICCGN01
 ANSI: F82
 FED#161B



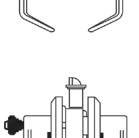
ENTRANCE LOCK PUSH BUTTON
 Pushing button in inside lever locks outside lever. Turning inside lever or operating key in outside lever releases button automatically. Closing door does not release button. Button cannot be fixed in lock position. Inside lever always free. Latch bolt automatically deadlocks when door is closed.
- GN101**
 ANSI: F90
 FED#161T



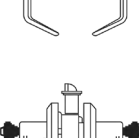
DORMITORY NON-CLUTCH
 Deadlocking latch bolt operated by lever from either side except when outside lever is locked by key or by push button on inside lever. Key in outside lever locks or unlocks outside lever. Outside key releases push button when locked from inside. Rotating inside lever or closing the door releases push button. (Non Clutch)
- GN02**
ICGN02
 ANSI: F91
 FED#161G



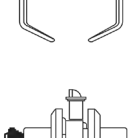
STORE LOCK NON-CLUTCH
 Deadlocking latch bolt operated by lever from either side, except when both levers are locked by key in lever from either side. (Non Clutch)
- CGN03**
ICCGN03
 ANSI: F84
 FED#161R



CLASSROOM LOCK
 Deadlocking latch bolt operated by lever from either side except when outside lever is locked from outside by key. When outside lever is locked, latch bolt is operated by turning inside lever.
- CGN04**
ICCGN04
 ANSI: F80
 FED#161S

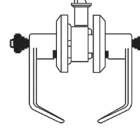


COMMUNICATING LOCK
 Deadlocking latch bolt operated by lever from either side. Turning key in either lever locks or unlocks its own lever independently.
- CGN05**
ICCGN05
 ANSI: F86
 FED#161D

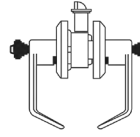


STOREROOM LOCK
 Deadlocking latch bolt operated by key in outside lever or by rotating inside lever. Outside lever is always locked.

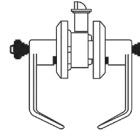
- CGN06**
ICCGN06
 ANSI: F88
 FED#161C



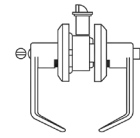
VESTIBULE
 Deadlocking latch bolt operated by lever from either side except when outside lever is locked by key from inside. Latch bolt may be retracted by key in outside lever or by rotating inside lever.
- CGN07**
ICCGN07
 ANSI: F110



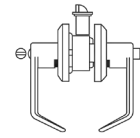
CLASSROOM / INTRUDER
 Latch bolt is operated by rotating the inside lever, or rotating the outside lever only when not locked from the inside or outside key.
- CGN09**
ICCGN09
 ANSI: F87
 FED#161W



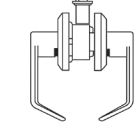
INSTITUTION
 Deadlocking latch bolt operated by key in lever from either side. Both lever always fixed.
- CGN20**
 ANSI: F76
 FED#161L




PRIVACY LOCK
 Latch bolt operated by lever from either side. Outside lever is locked by push button inside and unlocked by emergency release outside. Turning inside lever or closing door releases push button.
- HCGN20**



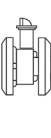
HOSPITAL PRIVACY LOCK
 Latch bolt operated by lever from either side. Outside lever is locked by push button inside and unlocked by turning turn button. Turning inside lever or closing door releases push button.
- GN30**
 ANSI: F75
 FED#161N



PASSAGE SET
 Latch bolt operated by lever from either side at all times.
- GN40**



DUMMY LEVER
 Single dummy trim for one side of door. Pull only.
- GN50**
 ANSI: F89



EXIT LOCK
 Blank plate outside. Inside lever always unlocked.

HOW TO ORDER:
 For "AT", "SPA" or "TUB" designs, replace design name. Example: CGN00 entrance in "AT" is CAT00.

● Indicates function available with BEST, FALCON & ARROW Interchangeable Core.
OTHER FUNCTIONS NOT LISTED AVAILABLE UPON REQUEST

GENESYS

CLUTCH MECHANISM

LIFETIME WARRANTY

BHMATM
CERTIFIED
Be Safe. Be Secure. Look for the Mark.

MEETS
The Buy American Act

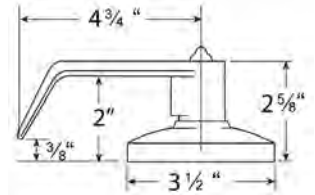
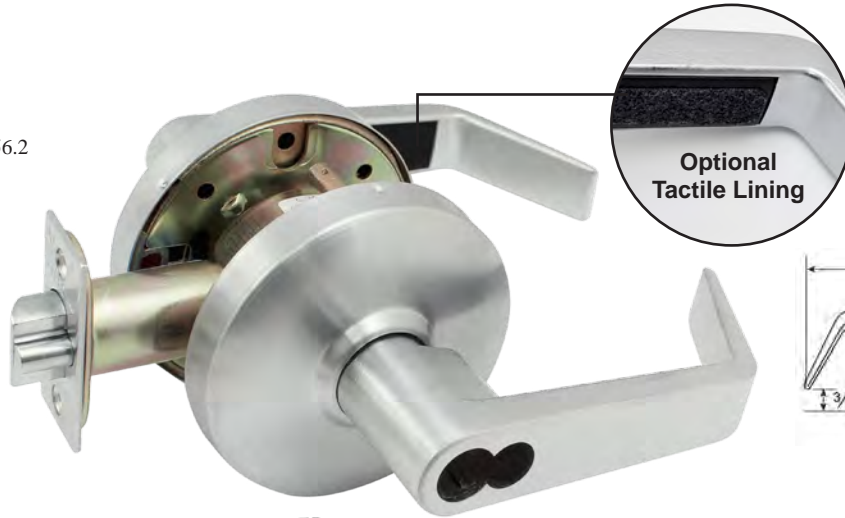
FIXED THRU BOLT INSTALLATION

**Interchangeable Core for SCHLAGE,
CORBIN / RUSSWIN, SARGENT and YALE**



Meets ADA requirements
Specially designed for
Barrier Free Application
Conforms with BHMA / ANSI A156.2
Series 4000, Grade 1 requirements
Exceeds 1,000,000 cycles

CLUTCH
Free turning handle in the locked position, without retracting the latch to help prevent breaking of handle



GN DESIGN



CORBIN / RUSSWIN



SARGENT



YALE

SPECIFICATIONS

GENERAL

Full length 4 3/4" lever handle with 3/8" return on GN Design. Rose diameter 3 1/2". Key removable outside lever for fast re-keying. Non-handed levers. Concealed mounting screws.

CLUTCH

Free turning handle in the lock position without retracting the latch, to deter breaking of handle.

APPLICATIONS

For offices, schools, hospitals, apartments, hotel / motel, residential, commercial and public buildings.

DOOR RANGES

1 3/8" to 1 3/4" thickness. 2" to 2 1/4" thickness also available on request.

HOUSING

Cold Rolled Steel and Zinc Dichromate finish for rust resistance with precision cast steel retractor. 2 1/8" diameter bore.

ANSI STANDARDS

Meets or exceeds BHMA / ANSI A 156.2 Series 4000, grade 1 requirements.

TRIM

Thru-bolted assembly through door with separate spring cage for each lever.

● LARGE FORMAT INTERCHANGEABLE CORE (IC)

Interchangeable Core locks will accept compatible 6 or 7 pin cores with CORBIN /RUSSWIN and 6 pin cores with SARGENT, YALE and SCHLAGE large format cylinders.

LATCH OPTIONS

2 3/4" standard, brass with 1/2" throw. 2 5/8", 3 3/4" and 5" backset optional. GND750 deadlatch reversible for flat and beveled door. 3/4" throw anti-friction deadlatch for pair of fire doors.

LATCH FACEPLATE

Standard 2 1/4" x 1 1/8" for 2 3/4" backset.
Optional 2 1/4" x 1" for 2 5/8" backset.

STRIKES

ASA 1 1/4" x 4 7/8" standard. Other strikes available upon request.

ELECTRIFIED LOCKS, TACTILE & LEAD LINING available upon request.

See reverse page on how to order

GENESYS SERIES FINISHES AND FUNCTIONS



FINISHES AVAILABLE		
BHMA SYMBOL	US CODE	DESCRIPTION
605	US3	Polished Brass
606	US4	Satin Brass
609	US5	Antique Brass
612	US10	Satin Bronze
613	US10B	Oil Rubbed Bronze
619	US15	Satin Nickel
625	US26	Polished Chrome
626	US26D	Satin Chrome

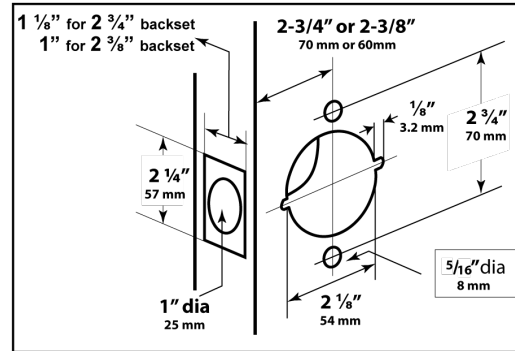
Refer to price list for stock finishes and functions

HOW TO ORDER

- ICGYS** - Schlage Large Format IC
- RUSICGN** - Russwin / Corbin Large Format IC
- SARICGN** - Sargent Large Format IC
- YALICGN** - Yale Large Format IC



DOOR PREPARATION



ICGYS00
RUSICGN00
SARICGN00
YALICGN00
 ANSI: F109
 FED#161A

ENTRANCE / OFFICE LOCK
 Turn / Push button locking. Pushing and turning button locks outside lever requiring use of key until button is manually unlocked. Pushing button locks outside lever until unlocked with key or inside lever is turned.

ICGYS04
RUSICGN04
SARICGN04
YALICGN04
 ANSI: F80
 FED#161S

COMMUNICATING LOCK
 Deadlocking latch bolt operated by lever from either side. Turning key in either lever locks or unlocks its own lever independently.

ICGYS01
RUSICGN01
SARICGN01
YALICGN01
 ANSI: F82
 FED#161A

ENTRANCE LOCK PUSH BUTTON
 Pushing button in inside lever locks outside lever. Turning inside lever or operating key in outside lever releases button automatically. Closing door does not release button. Button cannot be fixed in lock position. Inside lever always free. Latch bolt automatically deadlocks when door is closed.

ICGYS05
RUSICGN05
SARICGN05
YALICGN05
 ANSI: F86
 FED#161D

STOREROOM LOCK
 Deadlocking latch bolt operated by key in outside lever or by rotating inside lever. Outside lever is always fixed.

ICGYS101
RUSICGN101
SARICGN101
YALICGN101
 ANSI: F90
 FED#161T

DORMITORY NON-CLUTCH
 Deadlocking latch bolt operated by lever from either side except when outside lever is locked by key or by push button on inside lever. Key in outside lever locks or unlocks outside lever. Outside key releases push button when locked from inside. Rotating inside lever or closing the door releases push button. (Non Clutch)

ICGYS06
RUSICGN06
SARICGN06
YALICGN06
 ANSI: F88
 FED#161C

VESTIBULE
 Deadlocking latch bolt operated by lever from either side except when outside lever is locked by key from inside. Latch bolt may be retracted by key in outside lever or by rotating inside lever.

ICGYS02
RUSICGN02
SARICGN02
YALICGN02
 ANSI: F91
 FED#161G

STORE LOCK NON-CLUTCH
 Deadlocking latch bolt operated by lever from either side, except when both levers are locked by key in lever from either side. (Non Clutch)

ICGYS07
RUSICGN07
SARICGN07
YALICGN07
 ANSI: F110

CLASSROOM / INTRUDER
 Latch bolt is operated by rotating the inside lever, or rotating the outside lever only when not locked from the inside or outside key.

ICGYS03
RUSICGN03
SARICGN03
YALICGN03
 ANSI: F84
 FED#161R

CLASSROOM LOCK
 Deadlocking latch bolt operated by lever from either side except when outside lever is locked from outside by key. When outside lever is locked, latch bolt is operated by turning inside lever.

ICGYS09
RUSICGN09
SARICGN09
YALICGN09
 ANSI: F87
 FED#161W

INSTITUTION
 Deadlocking latch bolt operated by key in lever from either side. Both lever always fixed.

Indicates function available with SCHLAGE, CORBIN / RUSSWIN, SARGENT and YALE Interchangeable Core.

OTHER FUNCTIONS NOT LISTED AVAILABLE UPON REQUEST
 SEE PAGE 100 FOR SPECIFICATION ON CYLINDERS

CALYPSO

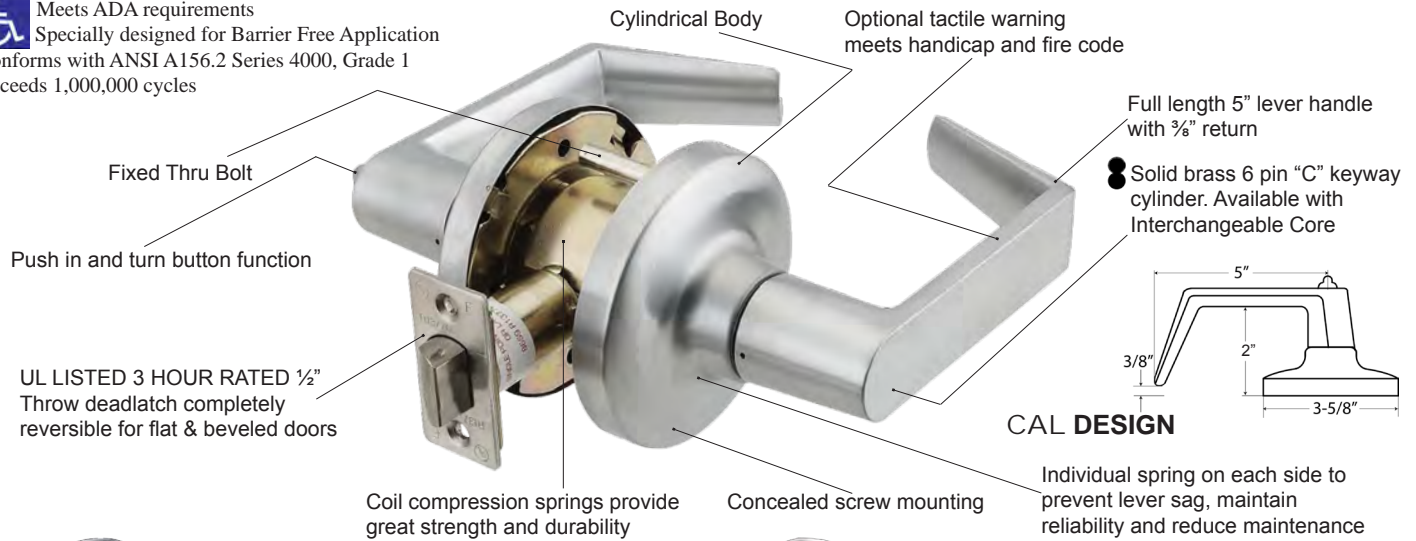
CLUTCH MECHANISM FIXED THRU BOLT INSTALLATION



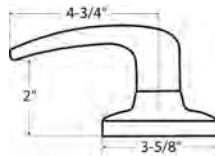
**LIFETIME
WARRANTY**

MEETS
The Buy American Act

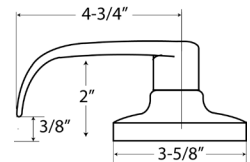
Meets ADA requirements
Specially designed for Barrier Free Application
Conforms with ANSI A156.2 Series 4000, Grade 1
Exceeds 1,000,000 cycles



MHM DESIGN



SAN DESIGN



SPECIFICATIONS

APPLICATIONS

For offices, schools, hospitals, apartments, hotel / motel, residential, commercial and public buildings.

DOOR RANGES

1 3/8" to 2" thickness doors.

BACKSET

2 3/4" Standard, 2 3/8", 3 3/4", 5" and 2 3/4" anti-friction latch with 3/4" throw for pair of fire doors optional.

LATCH BOLT

1/2" Throw solid brass, reversible for RH or LH applications. UL Listed.

LATCH FACEPLATE

2 1/4" x 1 1/8", adjustable for flat or beveled doors 1/8" in 2", for 2 3/4" backset.
Optional 2 1/4" x 1 1/8" for 2 3/8" backset.

STRIKES

ASA strike standard, "T" and full lip strike available on request.

EXPOSED TRIM

Wrought brass, bronze or stainless steel, levers are zinc casting, plated to match trim finish.

CYLINDER & KEYWAYS

6 pin solid brass "C" keyway standard. Schlage E, Schlage C-K, Russwin D1-2-3-4, Corbin 59 / 60, Corbin-Russwin L4, Sargent LA-LB-LC, Falcon / Weiser E, Arrow A, Yale 8, Yale GA and Kwikset. Can also accept Medeco, Assa, Kaba and Cal-Royal (HSK) High Security Cylinders.

INTERCHANGEABLE CORE

Interchangeable Core locks will accept compatible 6 or 7 pin cores with BEST, FALCON and ARROW. Prefix "IC" before part number. Available combined or uncombined. Temporary construction cores available. Factory keying with control key and master key available.

ANSI STANDARDS

Meets or exceeds requirements of BHMA / ANSI A156.2 Series 4000, Grade 1

TACTILE & LEAD LINING available upon request.

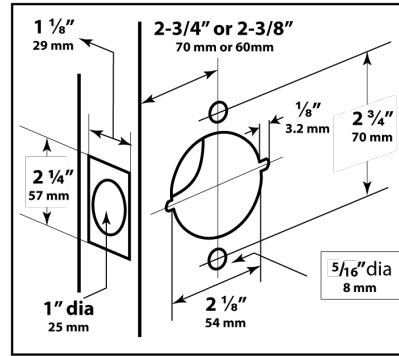
CALYPSO CAL SERIES FINISHES AND FUNCTIONS



FINISHES AVAILABLE		
BHMA SYMBOL	US CODE	DESCRIPTION
605	US3	Polished Brass
606	US4	Satin Brass
609	US5	Antique Brass
612	US10	Satin Bronze
613	US10B	Oil Rubbed Bronze
619	US15	Satin Nickel
625	US26	Polished Chrome
626	US26D	Satin Chrome

Refer to price list for stock finishes and functions

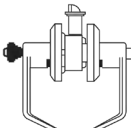
DOOR PREPARATION



LIFETIME WARRANTY

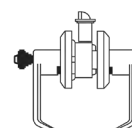


CAL00
ICCAL00
 ANSI: F109
 FED#161A



ENTRANCE / OFFICE LOCK
 Turn / Push button locking. Pushing and turning button locks outside lever requiring use of key until button is manually unlocked. Pushing button locks outside lever until unlocked with key or inside lever is turned.

CAL07
ICCAL07
 ANSI: F110



CLASSROOM INTRUDER
 Latch bolt is operated by rotating the inside lever, or rotating the outside lever only when not locked from the inside or outside key. Outside lever is locked and unlocked by turning the key inside or outside lever. Inside lever cannot be locked.

CAL02
ICCAL02
 ANSI: F91
 FED#161G



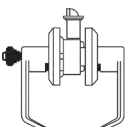
STORELOCK
 Dead locking latch bolt operated by lever from either side, except when both levers are locked by key in lever from either side.

CAL09
ICCAL09
 ANSI: F87
 FED#161W



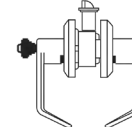
INSTITUTION
 Dead locking latch bolt operated by key in lever from either side. Both lever always fixed.

CAL03
ICCAL03
 ANSI: F84
 FED#161R



CLASSROOM
 Dead locking latch bolt operated by lever from either side except when outside lever is locked from outside by key. When outside lever is locked, latch bolt is operated by turning inside lever.

CAL101
ICCAL101
 ANSI: F90
 FED#161T



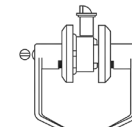
DORMITORY
 Dead locking latch bolt operated by lever from either side except when outside lever is locked by key or by push button on inside lever. Key in outside lever locks or unlocks outside lever. Outside key releases push button when locked from inside. Rotating inside lever or closing the door releases push button.

CAL04
ICCAL04
 ANSI: F80
 FED#161S



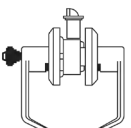
COMMUNICATING
 Dead locking latch bolt operated by lever from either side. Turning key in either lever locks or unlocks its own lever independently.

CAL20
 ANSI: F76
 FED#161L



PRIVACY LOCK
 Latch bolt operated by lever from either side. Outside lever is locked by push button inside and unlocked by emergency release outside. Turning inside lever or closing door releases push button.

CAL05
ICCAL05
 ANSI: F86
 FED#161D



STOREROOM
 Dead locking latch bolt operated by key in outside lever or by rotating inside lever. Outside lever is always fixed.

CAL30
 ANSI: F75
 FED#161N



PASSAGE SET
 Latch bolt operated by lever from either side at all times.

CAL06
ICCAL06
 ANSI: F88
 FED#161C



VESTIBULE
 Dead locking latch bolt operated by lever from either side except when outside lever is locked by key from inside. Latch bolt may be retracted by key in outside lever or by rotating inside lever.

CAL40



DUMMY LEVER
 Single dummy trim for one side of door. Pull only.

“IC” Indicates function available with BEST, FALCON & ARROW Interchangeable Core.

HOW TO ORDER: For “SPA” or “MHM” designs, replace design name.
 Example: CAL00 Entrance in “SAN” is SAN00.

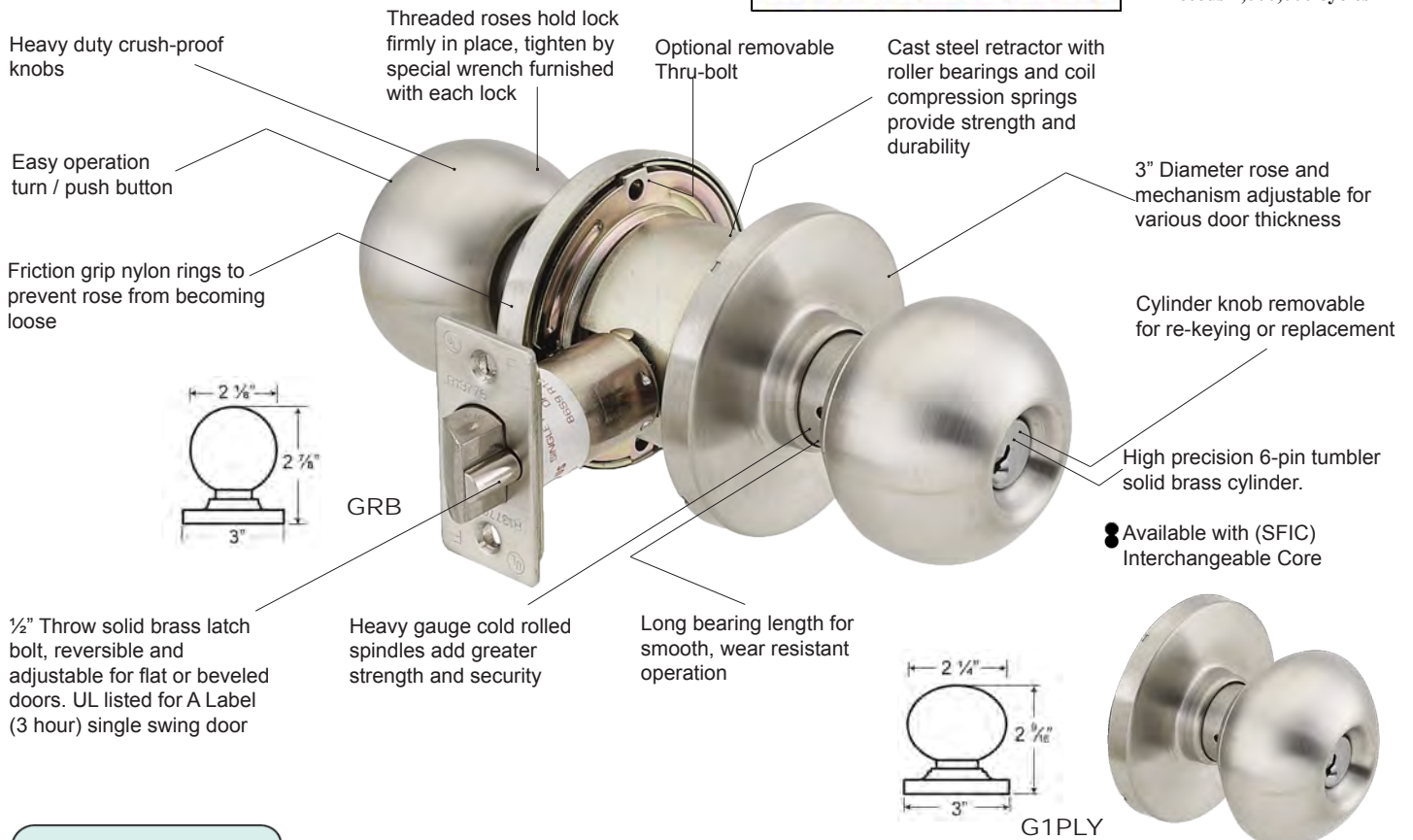
OTHER FUNCTIONS NOT LISTED AVAILABLE UPON REQUEST

OMEGA

QUALITY DESIGNED AND ENGINEERED
FOR COMMERCIAL BUILDINGS
OPTIONAL THRU BOLT INSTALLATION



Conforms with
BHMA/ANSI A156.2
Series 4000, Grade 1
Exceeds 1,000,000 cycles



SPECIFICATIONS

DOOR RANGES

Adjustable 1 3/8" to 2" door thickness.

BACKSET

2 3/4" Standard, 2 5/8", 3 3/4", 5" and 2 3/4" anti-friction latch with 3/4" throw for pair of fire doors optional.

LATCH FACEPLATE

Standard 2 1/4" x 1 1/8" for 2 3/4" backset.
Optional 2 1/4" x 1 1/8" for 2 5/8" backset.

STRIKES

ASA strike standard, 4 7/8" x 1 1/4". Optional "T" and full lip strike available on request.

KEYWAY

6-pin "C" keyway cylinder, 2 keys per lock.

BORE DIAMETER

1" for latch. 2 1/8" for lock housing.

HANDING

Completely reversible.

ADDITIONAL KEYWAYS

6 pin solid brass "C" keyway standard. Schlage E, Schlage C-K, Russwin D1-2-3-4, Corbin 59 / 60, Corbin-Russwin L4, Sargent LA-LB-LC, Falcon / Weiser E, Arrow A, Yale 8, Yale GA and Kwikset. Can also accept Medeco, Assa, Kaba and Cal-Royal (HSK) High Security Cylinders.

ELECTRIFIED LOCKS, TACTILE & LEAD LINING

Available upon request.

INTERCHANGEABLE CORE

Interchangeable Core locks will accept compatible 6 or 7 pin cores with BEST, FALCON and ARROW. Prefix "IC" before part number. Available combined or uncombined. Temporary construction cores available. Factory keying with control key and master key available.

EXPOSED TRIM

Wrought brass, bronze or stainless steel.

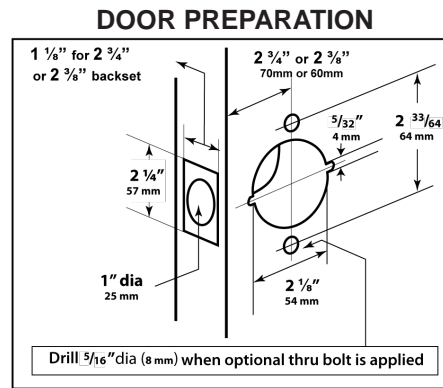
ANSI STANDARDS

Meets or exceeds requirements of BHMA / ANSI A156.2 Series 4000 for Grade 1 (FF-H-106C)

OMEGA GRB SERIES FINISHES AND FUNCTIONS



FINISHES AVAILABLE		
BHMA SYMBOL	US CODE	DESCRIPTION
605	US3	Polished Brass
606	US4	Satin Brass
609	US5	Antique Brass
612	US10	Satin Bronze
613	US10B	Oil Rubbed Bronze
619	US15	Satin Nickel
625	US26	Polished Chrome
626	US26D	Satin Chrome
630	US32D	Satin Stainless Steel



Refer to price list for stock finishes and functions

GRB00
ICGRB00
ANSI F109

ENTRANCE / OFFICE LOCK
 Turn / Push button locking. Pushing and turning button locks outside knob requiring use of key until button is manually unlocked. Pushing button locks outside knob until unlocked with key or inside knob is turned.

GRB09
ICGRB09
ANSI F87

INSTITUTION
 Deadlocking latch bolt operated by key in knob from either side. Both knobs are always fixed.

GRB01
ICGRB01
ANSI F82

ENTRANCE / PUSH BUTTON LOCK
 Pushing button in inside knob locks outside knob. Turning inside knob or operating key in outside knob releases button automatically. Closing door does not release button. Button cannot be fixed in lock position. Inside knob always free. Latch bolt automatically deadlocks when door is closed.

GRB80
ICGRB80

EXIT LOCK / CONNECTING ROOM
 Deadlocking latch bolt operated with key from inside only. Blank plate outside.

GRB02
ICGRB02
ANSI F91

STORELOCK
 Deadlocking latch bolt operated by knob from either side, except when both knobs are locked by key in knob from either side.

GRB10
ANSI F77

PATIO LOCK
 Deadlocking latch bolt operated by knob from either side. Outside knob is locked by push button inside and unlocked by rotating inside knob or closing door.

GRB03
ICGRB03
ANSI F84

CLASSROOM
 Deadlocking latch bolt operated by knob from either side except when outside knob is locked from outside by key. When outside knob is locked, latch bolt is operated by turning inside knob.

GRB20
ANSI F76

PRIVACY LOCK
 Latch bolt operated by knob from either side. Outside knob is locked by push button inside and unlocked by emergency release outside. Turning inside knob or closing door releases push button.

GRB04
ICGRB04
ANSI F80

COMMUNICATING
 Deadlocking latch bolt operated by knob from either side. Turning key in either knob locks or unlocks its own knob independently.

GRB30
ANSI F75

PASSAGE SET
 Latch bolt operated by knob from either side at all times.

GRB05
ICGRB05
ANSI F86

STOREROOM
 Deadlocking latch bolt operated by key in outside knob or by rotating inside knob. Outside knob is always fixed.

GRB40

DUMMY LEVER
 Single dummy trim for one side of door. Pull only.

GRB06
ICGRB06
ANSI F88

VESTIBULE
 Deadlocking latch bolt operated by knob from either side except when outside knob is locked by key from inside. Latch bolt may be retracted by key in outside knob or by rotating inside knob.

GRB50
ANSI F89

EXIT LOCK
 Deadlocking latch bolt by inside knob. Outside plate only.

“IC” Indicates function available with BEST, FALCON & ARROW Interchangeable Core.

**HOW TO ORDER: For “G1PLY” Designs, replace design name.
 Example: GRB00 entrance in “G1PLY” is G1PLY00.**

OTHER FUNCTIONS NOT LISTED AVAILABLE UPON REQUEST

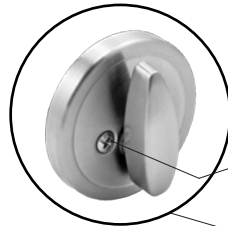
**CRB800 SERIES GRADE 1
HEAVY DUTY DEADBOLTS
FOR COMMERCIAL AND
RESIDENTIAL APPLICATIONS**



MEETS
The Buy American Act



Meets ADA requirements
Specially designed for
Barrier Free Application
Conforms with BHMA / ANSI A156.5
Series 4000, Grade 1 requirements
Exceeds 40,000 cycles



ADA Ergonomic
Thumb Turn

Exposed mounting screws
on single cylinder deadbolt

Steel mounting plate

Anti-pry shield
(Zinc Alloy)

Free turning,
wrench-resistant
tapered cylinder ring

Sturdy, all steel latch
case and mechanism

3HR UL Fire rated,
1" (25mm) throw
high-strength steel
alloy deadbolt with
anti-saw pin

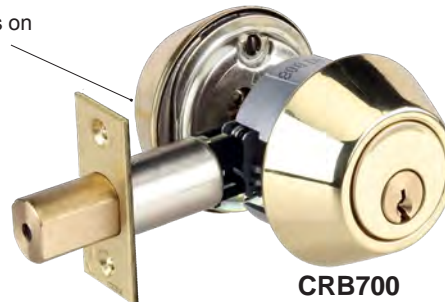
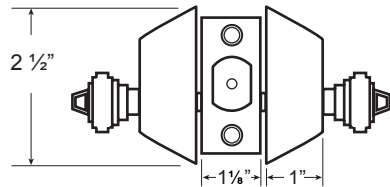


**CRB800
SINGLE CYLINDER**

Exposed mounting screws on
double cylinder deadbolt

Removable Solid Brass
Standard "C" 6-pin cylinder.

- Available with Small Format Interchangeable Core
- Full Size Interchangeable Core for Schlage Available for Single Cylinder and Classroom only.



**CRB700
DOUBLE CYLINDER**

SPECIFICATIONS

TRIM

Wrought Brass or Stainless Steel.

DOOR RANGES

Adjustable 1 3/8" (40mm) to 2" (51mm) door thickness.

BACKSET

UL Listed 3 Hour Fire Rating 2 3/4" latch bolt.
2 3/8" optional.

DEADBOLT FACEPLATE

Standard 2 1/4" x 1 1/8" for 2 3/4" backset.
Optional 2 1/4" x 1" for 2 3/8" backset.

STRIKE

1 1/8" x 2 3/4" square corner. Extra security 1" throw bolt with 1/4" free spinning anti-cut through pin. 2 pcs x 3" screws with wood frame reinforcer greatly strengthens door frames.

BORE DIAMETER

1" for latch, 2 1/8" for lock housing.

KEYWAYS

6 pin solid brass "C" keyway standard. Schlage E, Schlage C-K, Russwin D1-2-3-4, Corbin 59 / 60, Corbin-Russwin L4, Sargent LA-LB-LC, Falcon / Weiser E, Arrow A, Yale 8, Yale GA and Kwikset. Can also accept Medeco, Assa, Kaba and Cal-Royal (HSK) High Security Cylinders.

●● **INTERCHANGEABLE CORE (IC)**

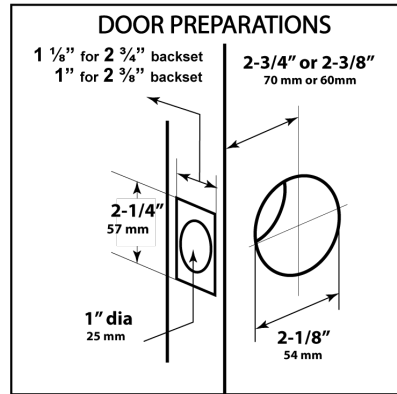
Interchangeable Core locks will accept compatible 6 or 7 pin cores with BEST, FALCON and ARROW. Also available with SCHLAGE large format cylinders.

CRB800 SERIES FINISHES AND FUNCTIONS

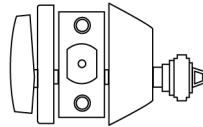


FINISHES AVAILABLE		
BHMA SYMBOL	US CODE	DESCRIPTION
605	US3	Polished Brass
606	US4	Satin Brass
609	US5	Antique Brass
612	US10	Satin Bronze
613	US10B	Oil Rubbed Bronze
619	US15	Satin Nickel
625	US26	Polished Chrome
626	US26D	Satin Chrome

Refer to price list for stock finishes and functions

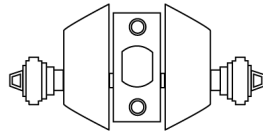


- CRB800
- ICCRB800
- ICSCRB800
- ANSI E0152



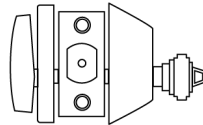
Heavy Duty Single Cylinder Deadbolt
Deadbolt thrown or retracted by key from outside or by inside turn unit. Bolt automatically deadlocks when fully thrown.

- CRB700
- ICCRB700
- ANSI E0142



Heavy Duty Double Cylinder Deadbolt
Deadbolt thrown or retracted by key from either side. Bolt automatically deadlocks when fully thrown.

- CRB600
- ICCRB600
- ICSCRB600




Classroom Deadbolt Lock
Deadbolt thrown or retracted by key outside. Inside turn unit will retract bolt only. Bolt automatically deadlocks when fully thrown.

OTHER FUNCTIONS NOT LISTED ARE AVAILABLE UPON REQUEST

- "IC" Indicates functions available with Interchangeable Core compatible with 6 or 7 pin cores by Best, Falcon and Arrow.
- Full Size Interchangeable Core for Schlage Available for Single Cylinder and Classroom only.

CRCODE200 SERIES

GRADE 2 MECHANICAL STAND ALONE PUSH BUTTON LOCK AND EXIT DEVICE TRIM WITH BREAKAWAY LEVER FEATURE

 Meets ADA requirements
Specially designed for
Barrier Free Application
Conforms with ANSI A156.2
Series 4000, Grade 2 requirements

- ✓ EASY INSTALLATION COVERS
- ✓ 1 - 12 DIGIT CODE
- ✓ SINGLE CODE USER
- ✓ KEY OVERRIDE
- ✓ EASY ON-THE-DOOR CODE
- ✓ CODE-FREE OPTION (PASSAGE)
- ✓ BREAKAWAY LEVER DESIGN
- ✓ CLUTCH-FREE MECHANISM
- ✓ WEATHER RESISTANT
- ✓ NON-HANDED
- ✓ MORE THAN 8000 NON-SEQUENTIAL POSSIBLE CODE COMBINATIONS
- ✓ APPLICATIONS:
OFFICES, SCHOOLS, HOSPITALS,
APARTMENTS, HOTELS / MOTELS,
RESIDENTIAL, COMMERCIAL
AND PUBLIC BUILDINGS



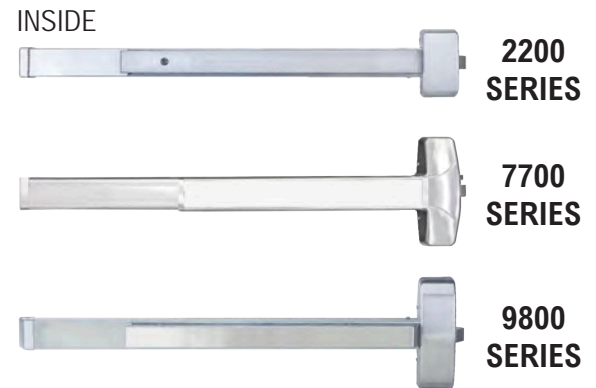
CRCODE202
Standard (Storeroom Function)
Optional (Passage Mode)



CRCODE203
Standard (Institution Function)
Optional (Storeroom, Passage Mode
on both sides)



CRCODE204 Universal Trim
2200, 7700 and 9800 Series Rim and Surface Vertical Rods
Standard (Storeroom Function) Optional (Passage Mode)



SPECIFICATIONS

GENERAL

Full length 5 1/2" lever handle with 7/8" return. Escutcheon dimension 3 1/2" x 8 1/8". Key removable outside lever for all models for fast re-keying. Non-handed levers. 2 1/8" diameter bore.

BREAKAWAY LEVER DESIGN

Lever will stay at the 5 o'clock position when forced down without retracting the latch, to prevent breaking of handle and giving the impression of the handle being broken to discourage or scare off vandals.

DOOR RANGES

1 3/8" - 2 1/4" for CRCODE202, 1 3/8" - 1 3/4" for CRCODE203, 1 3/4" - 2" for CRCODE204

ANSI STANDARDS

Meets or exceeds ANSI A 156.2, Series 4000 Grade 2 requirements.

LATCH FACEPLATE

Standard 2 1/4" x 1 1/8" for 2 3/4" backset for CRCODE202 and CRCODE203 only.

STRIKES

ASA 1 1/4" x 4 7/8" standard for CRCODE202 and CRCODE203 only. Other strikes available upon request. Strikes for CRCODE204 comes standard with exit device ordered.

CYLINDER & KEYWAYS

6 pin solid brass "C" keyway standard. Schlage E, Schlage C-K, Russwin D1-2-3-4, Corbin 59 / 60, Corbin-Russwin L4, Sargent LA-LB-LC, Falcon / Weiser E, Arrow A, Yale 8, Yale GA and Kwikset. Can also accept Medeco, Assa, Kaba and Cal-Royal (HSK) High Security Cylinders.

TRIM

Thru-bolted assembly through door with separate spring cage for each lever.

LATCH OPTIONS

2 3/4" standard, brass with 1/2" throw (with optional 2 3/8" backset, 2 1/4" x 1" faceplate) for CRCODE202 and CRCODE203.

Note: CRCODE202 and CRCODE203 for non-fire application only.

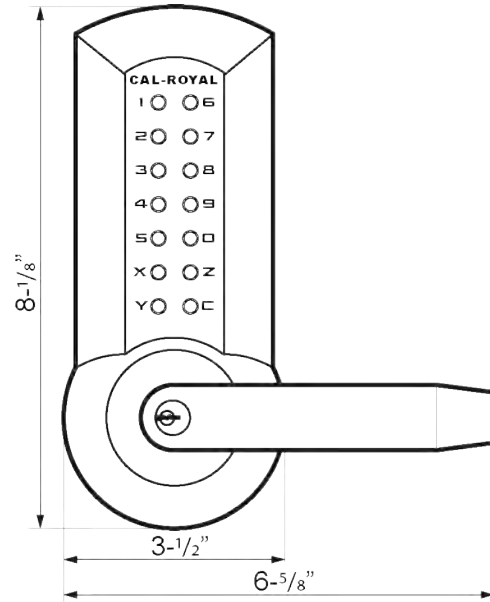
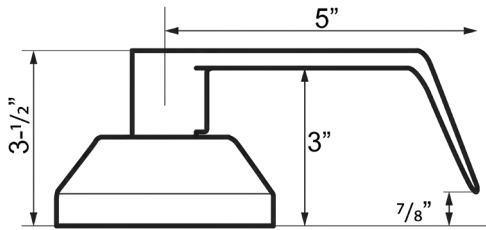
CRCODE200 SERIES

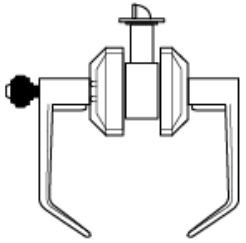
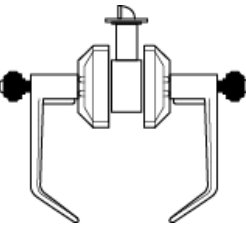
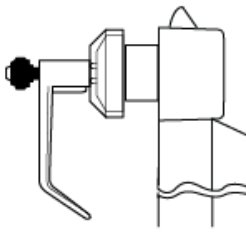
FINISHES, FUNCTIONS & FEATURES



FINISHES AVAILABLE		
BHMA SYMBOL	US CODE	DESCRIPTION
626	US26D	Satin Chrome
613	US10B	Oil Rubbed Bronze

Refer to price list for stock finishes and availability




FUNCTIONS	
<p>CRCODE202</p> 	<p>Latch bolt operated by lever from either side, except outside has to enter a pre-programmed code on the keypad in order to retract the latch upon turning the lever.</p> <p>Default Function: Storeroom Optional Function: Passage Mode Door Thickness: 1 3/8" - 2 1/4"</p>
<p>CRCODE203</p> 	<p>Latch bolt operated by lever from either side by entering a pre-programmed code on the keypad in order to retract the latch upon turning the lever. Both lever always locked, unless one or both sides are set to passage mode. If one side is set to passage, function can be storeroom. If both sides are set to code-free, function becomes passage.</p> <p>Default Function: Institution Optional Functions: Storeroom, Passage Mode Door Thickness: 1 3/4"</p>
<p>CRCODE204</p> 	<p>Operated by lever from outside and when push pad is depressed, except outside has to enter a pre-programmed code on the keypad in order to retract the latch upon turning the lever. For use with 2200, 7700 and 9800 Series Rim and Surface Vertical Rods.</p> <p>Universal Trim Default Function: Storeroom Optional Function: Passage Mode Door Thickness: 1 3/4" - 2"</p>

FEATURES

- ✓ **SINGLE CODE USER**
Only one code combination chosen from thousands of combinations can be set at a time to deter code breakers. Code length is from 1 to 12 digits, and can be permuted with a non-repeating digit up to over 5000 combinations.
- ✓ **EASY ON-DOOR CODE CHANGE**
Code can be changed without removing the lock from the door and using only a "code change" key.
- ✓ **1-12 DIGIT CODE**
An entry code can be a combination of 1 to 12 digits long. The digits can be entered in any order. For example, if the chosen 6-digit code is "5283XZ" it can be entered as "ZX3825" or "3X8Z25" or in any other combination of the 6-digit code.
- ✓ **BREAKAWAY LEVER DESIGN**
Lever will stay at the 5 o'clock position when forced down without retracting the latch, to prevent breaking of handle and giving the impression of the handle being broken to discourage or scare off vandals.
- ✓ **CODE-FREE OPTION (PASSAGE MODE)**
Once enabled, the lock remains unlocked until disable PASSAGE MODE is initiated. (For CRCODE203, inside and outside locks must be set)
- ✓ **WEATHER RESISTANT**
Can resist above or below normal weather conditions without compromising security.
- ✓ **NON-HANDED**
Easily field reversible handing.

PIONEER
SL SERIES (NON-CLUTCH MECHANISM)
CSL SERIES (CLUTCH MECHANISM)
OPTIONAL THRU BOLT INSTALLATION

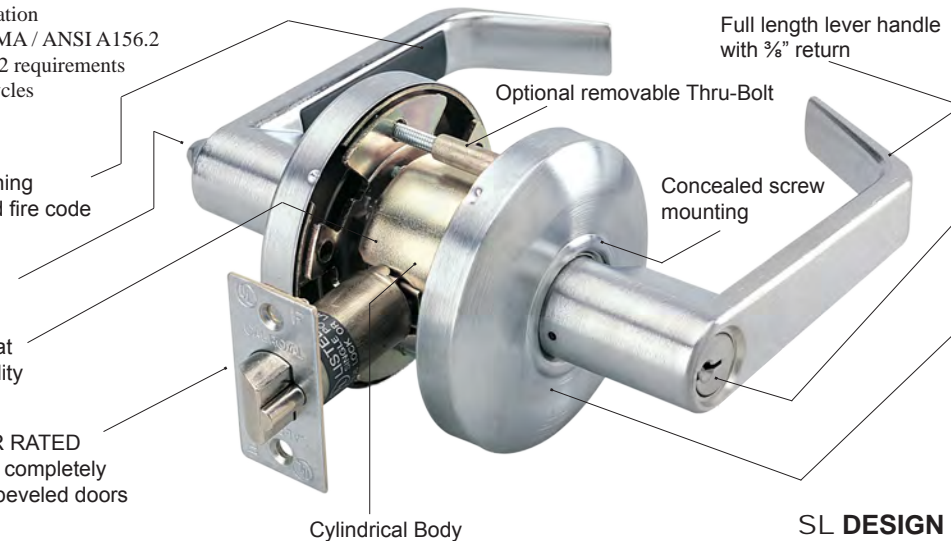
 Meets ADA requirements
Specially designed for
Barrier Free Application
Conforms with BHMA / ANSI A156.2
Series 4000, Grade 2 requirements
Exceeds 400,000 cycles

Optional tactile warning
meets handicap and fire code

Push in and
turn button function

Coil compression
springs provide great
strength and durability

UL LISTED 3 HOUR RATED
1/2" Throw deadlatch completely
reversible for flat & beveled doors



Full length lever handle
with 3/8" return

Optional removable Thru-Bolt

Concealed screw
mounting

Solid brass 6 pin "C"
keyway cylinder.

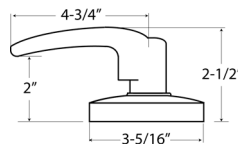
Available with Small Format
Interchangeable Core

Individual spring on each
side to prevent lever sag,
maintain reliability and reduce
maintenance

Cylindrical Body



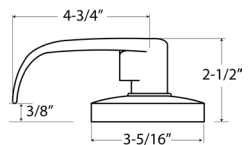
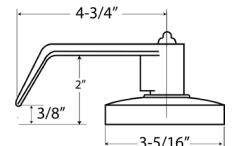
AG DESIGN



SL DESIGN



RL DESIGN



SPECIFICATIONS

APPLICATIONS

For offices, schools, hospitals, apartments, hotel / motel, residential, commercial and public buildings.

DOOR RANGES

1 3/8" to 1 3/4" thickness doors.

BACKSET

2 3/4" Standard, 2 3/8", 3 3/4" and 5" optional.

LATCH BOLT

1/2" Throw solid brass, reversible for RH or LH applications. UL Listed.

LATCH FACEPLATE

2 1/4" x 1 1/8", adjustable for flat or beveled doors 1/8" in 2", for 2 3/4" backset. Optional 2 1/4" x 1" for 2 3/8" backset.

ANSI STANDARDS

Meets or exceeds requirements of BHMA / ANSI A156.2 Series 4000, Grade 2 (FF-H 106C), 400,000 cycles.

EXPOSED TRIM

Wrought brass, bronze or stainless steel, levers are Zinc casting, plated to match trim finish.

KEYING

6-pin "C" keyway cylinder, 2 keys per lock. Keying as per individual job requirement.

CYLINDER & KEYWAYS

6 pin solid brass "C" keyway standard. Schlage E, Schlage C-K, Russwin D1-2-3-4, Corbin 59 / 60, Corbin-Russwin L4, Sargent LA-LB-LC, Falcon / Weiser E, Arrow A, Yale 8, Yale GA and Kwikset. Can also accept Medeco, Assa, Kaba and Cal-Royal (HSK) High Security Cylinders.

CLUTCH

Clutch available on all keyed locks and privacy functions. Prefix "C" before part number.

INTERCHANGEABLE CORE

Interchangeable Core locks will accept compatible 6 or 7 pin cores with BEST, FALCON and ARROW. Prefix "IC" before part number. Available combined or uncombined. Temporary construction cores available. Factory keying with control key and master key available.

STRIKES

ASA strike standard, "T" and full lip strike available on request.

TACTILE & LEAD LINING available upon request.

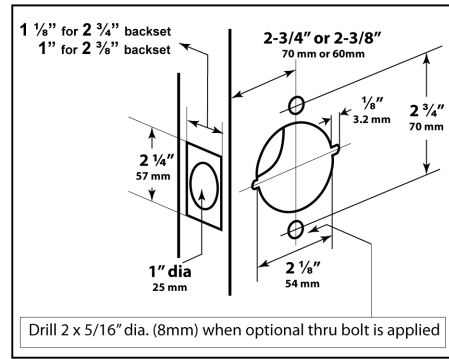
PIONEER SL SERIES FINISHES AND FUNCTIONS



FINISHES AVAILABLE		
BHMA SYMBOL	US CODE	DESCRIPTION
605	US3	Polished Brass
606	US4	Satin Brass
609	US5	Antique Brass
612	US10	Satin Bronze
613	US10BE	Dark Oxidized Satin Bronze, Equivalent
619	US15	Satin Nickel
625	US26	Polished Chrome
626	US26D	Satin Chrome

Refer to price list for stock finishes and functions

DOOR PREPARATION



SL00
ICSL00
CSL00
ANSI: F109

ENTRANCE / OFFICE LOCK
 Turn / Push button locking. Pushing and turning button locks outside lever requiring use of key until button is manually unlocked. Pushing button locks outside lever until unlocked with key or inside lever is turned.

SL101
ICSL101
CSL101
ANSI: F90

DORMITORY / ASSISTED LIVING
 Deadlocking latch bolt operated by lever from either side except when outside lever is locked by key or by push button on inside lever. Key in outside lever locks or unlocks outside lever. Outside key releases push button when locked from inside. Rotating inside lever or closing the door releases push button.

SL00/T220

COMBINATION ENTRANCE / OFFICE LOCK AND SINGLE CYLINDER DEADBOLT -- KA / 2 PACKED TOGETHER
 Turn / Push button locking. Pushing and turning button locks outside lever requiring use of key until button is manually unlocked. Pushing button locks outside lever until unlocked with key or inside lever is turned. Dead locking latch bolt retracted by key from outside or by thumb turn on inside. Adjustable 2 3/8" or 2 3/4" backset.

SL10
CSL10
ANSI: F77

PATIO
 Deadlocking latch bolt operated by lever from either side. Outside lever is locked by push button inside and unlocked by rotating inside lever or closing door.

SL01
ICSL01
CSL01
ANSI: F82

ENTRANCE LOCK PUSH BUTTON
 Pushing button in inside lever locks outside lever. Turning inside lever or operating key in outside lever releases button automatically. Closing door does not release button. Button cannot be fixed in lock position. Inside lever always free. Latch bolt automatically deadlocks when door is closed.

SL20
CSL20
ANSI: F76

PRIVACY LOCK
 Latch bolt operated by lever from either side. Outside lever is locked by push button inside and unlocked by emergency release outside. Turning inside lever or closing door releases push button.

SL03
ICSL03
CSL03
ANSI: F84

CLASSROOM LOCK
 Dead locking latch bolt operated by lever from either side except when outside lever is locked from outside by key. When outside lever is locked, latch bolt is operated by turning inside lever.

SL30
ANSI: F75

PASSAGE SET
 Latch bolt operated by lever from either side at all times.

SL05
ICSL05
CSL05
ANSI: F86

STOREROOM LOCK
 Dead locking latch bolt operated by key in outside lever or by rotating inside lever. Outside lever is always fixed.

SL40

DUMMY LEVER
 Single dummy trim for one side of door. Pull only.

SL80
ICSL80
CSL80
ANSI: F89

EXIT LOCK
CONNECTING ROOM WITH KEY
 Deadlocking latch bolt operated with key from inside only. Blank plate outside.

SL50
ANSI: F89

EXIT LOCK
 Blank plate outside. Inside lever always unlocked.

HOW TO ORDER:
 For "AG" or "RL" designs, replace design name.
 Example: SL00 entrance in "AG" is AG00.

● "IC" Indicates function available with BEST, FALCON & ARROW Interchangeable Core.
 ● "CSL" Indicates function available with clutch
OTHER FUNCTIONS NOT LISTED AVAILABLE UPON REQUEST

COMMANDER
CLUTCH MECHANISM
INTERCHANGEABLE CORE FOR SCHLAGE
OPTIONAL THRU BOLT INSTALLATION

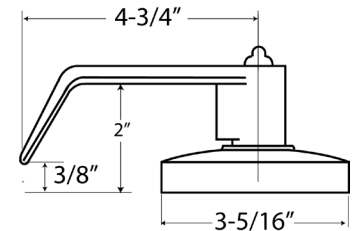
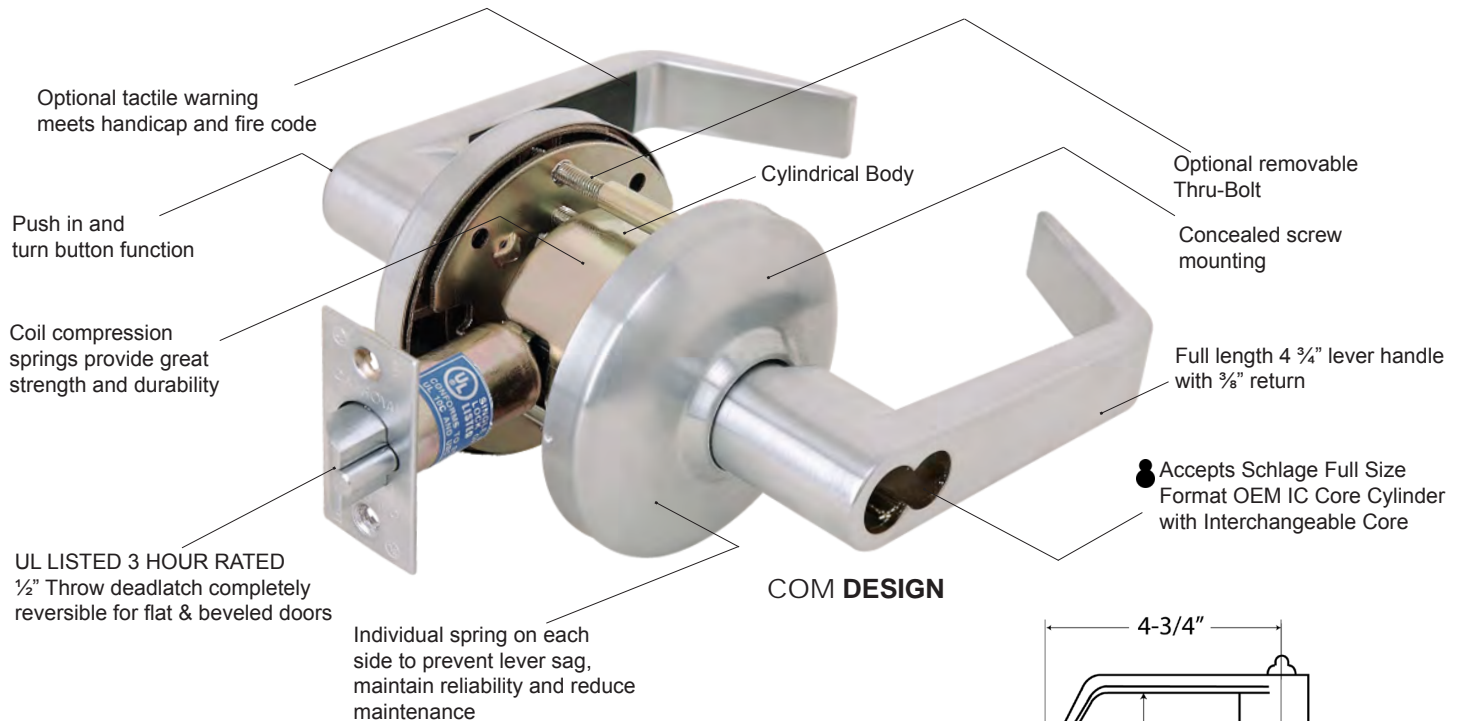


LIFETIME WARRANTY

MEETS
The Buy American Act



Meets ADA requirements
Specially designed for Barrier Free Application
Conforms with ANSI A156.2 Series 4000, Grade 2
Exceeds 400,000 cycles



SPECIFICATIONS

APPLICATIONS

For offices, schools, hospitals, apartments, hotel / motel, residential, commercial and public buildings.

DOOR RANGES

1 3/8" to 1 3/4" thickness doors.

BACKSET

2 3/4" Standard, 2 3/8", 3 3/4" and 5" optional.

LATCH FACEPLATE

2 1/4" x 1 1/8", adjustable for flat or beveled doors 1/8" in 2", for 2 3/4" backset.

Optional 2 1/4" x 1" for 2 3/8" backset.

EXPOSED TRIM

Wrought brass, bronze or stainless steel, levers are Zinc casting, plated to match trim finish.

STRIKES

ASA strike standard, "T" and full lip strike available on request.

LATCH BOLT

1/2" Throw solid brass, reversible for RH or LH applications. UL Listed.

ANSI STANDARDS

Meets or exceeds requirements of BHMA / ANSI A156.2 Series 4000, Grade 2 (FF-H 106C), 400,000 cycles.

TACTILE & LEAD LINING available upon request.

● **INTERCHANGEABLE CORE (IC)**

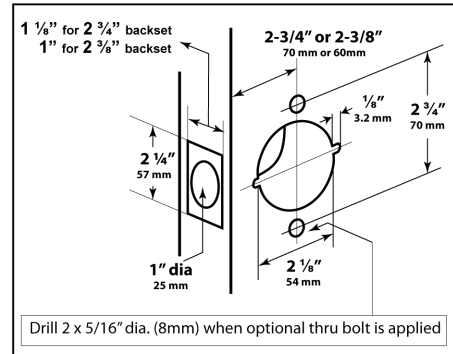
Interchangeable Core locks will accept Schlage full size format OEM Interchangeable core cylinder, and compatible Schlage 6-pin Interchangeable Core. Interchangeable Core offered by Cal-Royal. See reverse page.



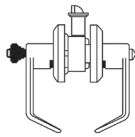
FINISHES AVAILABLE		
BHMA SYMBOL	US CODE	DESCRIPTION
605	US3	Polished Brass
606	US4	Satin Brass
609	US5	Antique Brass
612	US10	Satin Bronze
613	US10B	Oil Rubbed Bronze
619	US15	Satin Nickel
625	US26	Polished Chrome
626	US26D	Satin Chrome

Refer to price list for stock finishes and functions

DOOR PREPARATION



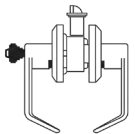
ICCOM00 ANSI: F109



ENTRANCE / OFFICE LOCK

Turn / Push button locking. Pushing and turning button locks outside lever requiring use of key until button is manually unlocked. Pushing button locks outside lever until unlocked with key or inside lever is turned.

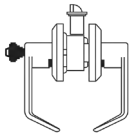
ICCOM03 ANSI: F84



CLASSROOM LOCK

Dead locking latch bolt operated by lever from either side except when outside lever is locked from outside by key. When outside lever is locked, latch bolt is operated by turning inside lever.

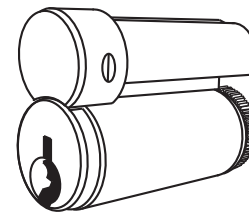
ICCOM05 ANSI: F86



STOREROOM LOCK

Dead locking latch bolt operated by key in outside lever or by rotating inside lever. Outside lever is always fixed.

Large Format 6 Pin Interchangeable Cores compatible to SCHLAGE 6 Pin Interchangeable Core



ITEM #	DESCRIPTION
3000ICC	6 Pin "C" keyway combined SCHLAGE large format IC core cylinder KA# 111111 with "C" key blanks
4000ICCK	6 Pin "C-K" keyway combined SCHLAGE large format IC core cylinder KA# 111111 with "E" key blanks
5000ICE	6 Pin "E" Keyway combined SCHLAGE large format IC core cylinder KA# 111111 with "E" key blanks
1000ICC	6 Pin "C" Keyway combined SCHLAGE large format IC core cylinder KD and MK
2000ICCC	Temporary Construction Cores (Keyed alike)


Available Finishes: US3, US26D

(IC) Accepts Schlage Full Size Format OEM IC Core Cylinders with Interchangeable Core.

OTHER FUNCTIONS NOT LISTED AVAILABLE UPON REQUEST

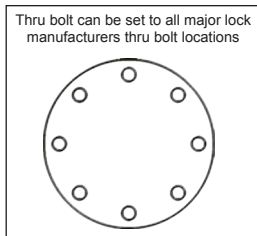
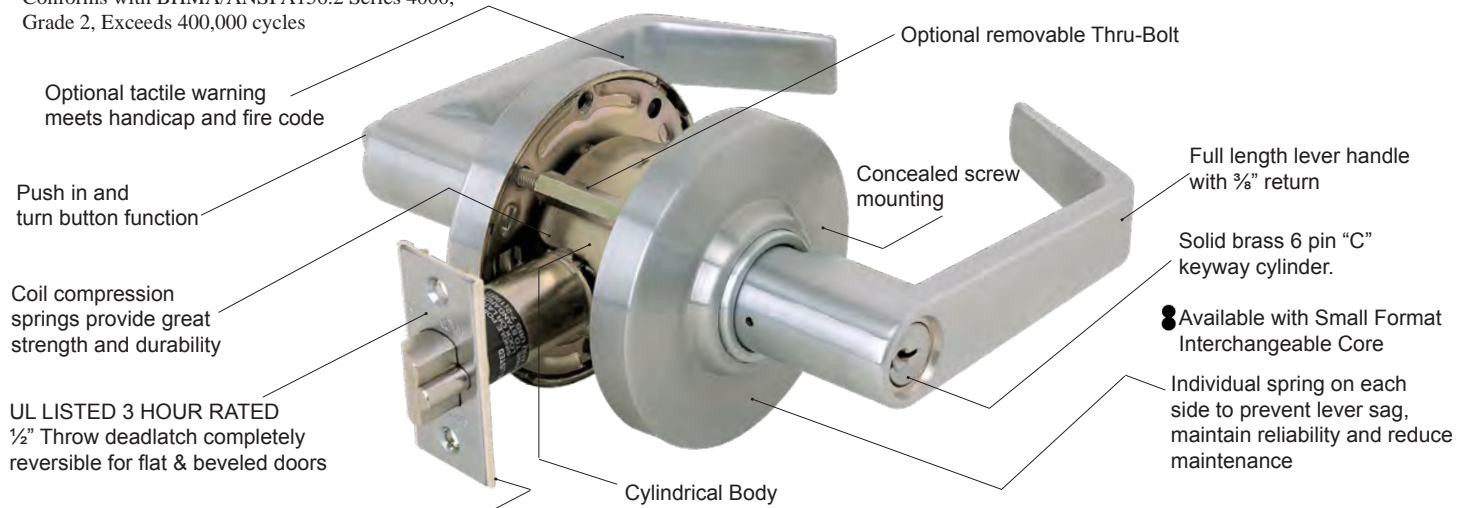
EXPLORER

XP SERIES (NON CLUTCH MECHANISM)
CXP SERIES (CLUTCH MECHANISM)
OPTIONAL THRU BOLT INSTALLATION

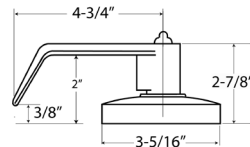
 Meets ADA requirements
Specially designed for Barrier Free Application
Conforms with BHMA/ANSI A156.2 Series 4000,
Grade 2, Exceeds 400,000 cycles



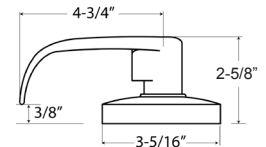
MEETS
The Buy American Act



Plastic filler for use on 1 1/8\"



XP DESIGN



XPRL DESIGN

SPECIFICATIONS

APPLICATIONS

For offices, schools, hospitals, apartments, hotel / motel, residential, commercial and public buildings.

DOOR RANGES

1 3/8\"

BACKSET

2 3/4\"

LATCH BOLT

1/2\"

LATCH FACEPLATE

2 1/4\"

ANSI STANDARDS

Meets or exceeds requirements of BHMA/ANSI A156.2 Series 4000, Grade 2 (FF-H 106C), 400,000 cycles.

EXPOSED TRIM

Wrought brass, bronze or stainless steel, levers are Zinc casting, plated to match trim finish.

KEYING

6-pin \"C\" keyway cylinder, 2 keys per lock. Keying as per individual job requirement.

CYLINDER & KEYWAYS

6 pin solid brass \"C\" keyway standard. Schlage E, Schlage C-K, Russwin D1-2-3-4, Corbin 59 / 60, Corbin-Russwin L4, Sargent LA-LB-LC, Falcon / Weiser E, Arrow A, Yale 8, Yale GA and Kwikset. Can also accept Medeco, Assa, Kaba and Cal-Royal (HSK) High Security Cylinders.

INTERCHANGEABLE CORE (IC)

Interchangeable Core locks will accept compatible 6 or 7 pin cores with BEST, FALCON and ARROW. Prefix \"IC\" before part number. Available combined or uncombined. Temporary construction cores available. Factory keying with control key and master key available.

STRIKES

ASA strike standard, \"T\" and full lip strike available on request.

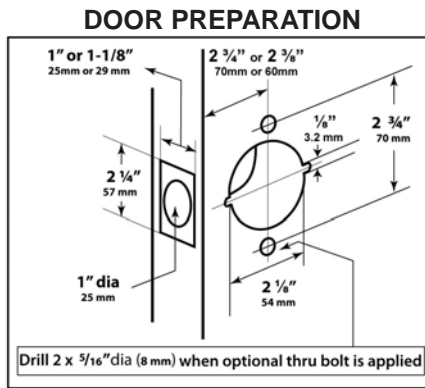
TACTILE & LEAD LINING available upon request.

EXPLORER XP SERIES FINISHES AND FUNCTIONS

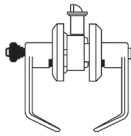


FINISHES AVAILABLE		
BHMA SYMBOL	US CODE	DESCRIPTION
605	US3	Polished Brass
606	US4	Satin Brass
609	US5	Antique Brass
612	US10	Satin Bronze
613	US10B	Oil Rubbed Bronze
619	US15	Satin Nickel
625	US26	Polished Chrome
626	US26D	Satin Chrome

Refer to price list for stock finishes and functions

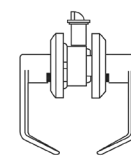


XP00
ICXP00
CXP00
ANSI: F109



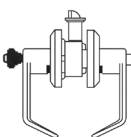
ENTRANCE / OFFICE LOCK
 Turn / Push button locking. Pushing and turning button locks outside lever requiring use of key until button is manually unlocked. Pushing button locks outside lever until unlocked with key or inside lever is turned.

XP10
CXP10
ANSI: F77



PATIO
 Deadlocking latch bolt operated by lever from either side. Outside lever is locked by push button inside and unlocked by rotating inside lever or closing door.

XP01
ICXP01
CXP01
ANSI: F82



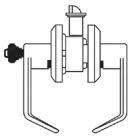
ENTRANCE LOCK PUSH BUTTON
 Pushing button in inside lever locks outside lever. Turning inside lever or operating key in outside lever releases button automatically. Closing door does not release button. Button cannot be fixed in lock position. Inside lever always free. Latch bolt automatically deadlocks when door is closed.

XP20
CXP20
ANSI: F76



PRIVACY LOCK
 Latch bolt operated by lever from either side. Outside lever is locked by push button inside and unlocked by emergency release outside. Turning inside lever or closing door releases push button.

XP03
ICXP03
CXP03
ANSI: F84



CLASSROOM LOCK
 Dead locking latch bolt operated by lever from either side except when outside lever is locked from outside by key. When outside lever is locked, latch bolt is operated by turning inside lever.

HXP20
HCXP20



HOSPITAL PRIVACY LOCK
 Latch bolt operated by lever from either side. Outside lever is locked by push button inside and unlocked by turning turn button. Turning inside lever or closing door releases push button.

XP05
ICXP05
CXP05
ANSI: F86



STOREROOM LOCK
 Dead locking latch bolt operated by key in outside lever or by rotating inside lever. Outside lever is always fixed.

XP30
ANSI: F75



PASSAGE SET
 Latch bolt operated by lever from either side at all times.

XP80
ICXP80
CXP80
ANSI: F89



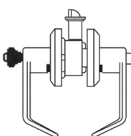
EXIT LOCK
CONNECTING ROOM WITH KEY
 Deadlocking latch bolt operated with key from inside only. Blank plate outside.

XP40



DUMMY LEVER
 Single dummy trim for one side of door. Pull only.

XP101
ICXP101
CXP101
ANSI: F90



DORMITORY / ASSISTED LIVING
 Deadlocking latch bolt operated by lever from either side except when outside lever is locked by key or by push button on inside lever. Key in outside lever locks or unlocks outside lever. Outside key releases push button when locked from inside. Rotating inside lever or closing the door releases push button.

XP50
ANSI: F89



EXIT LOCK
 Blank plate outside. Inside lever always unlocked.

HOW TO ORDER:
 For "XPRL", replace design name.
 Example: XP00 entrance in "XPRL" is XPRL00.


● "IC" Indicates function available with BEST, FALCON & ARROW Interchangeable Core.

● "CXP" Indicates function available with clutch

OTHER FUNCTIONS NOT LISTED AVAILABLE UPON REQUEST

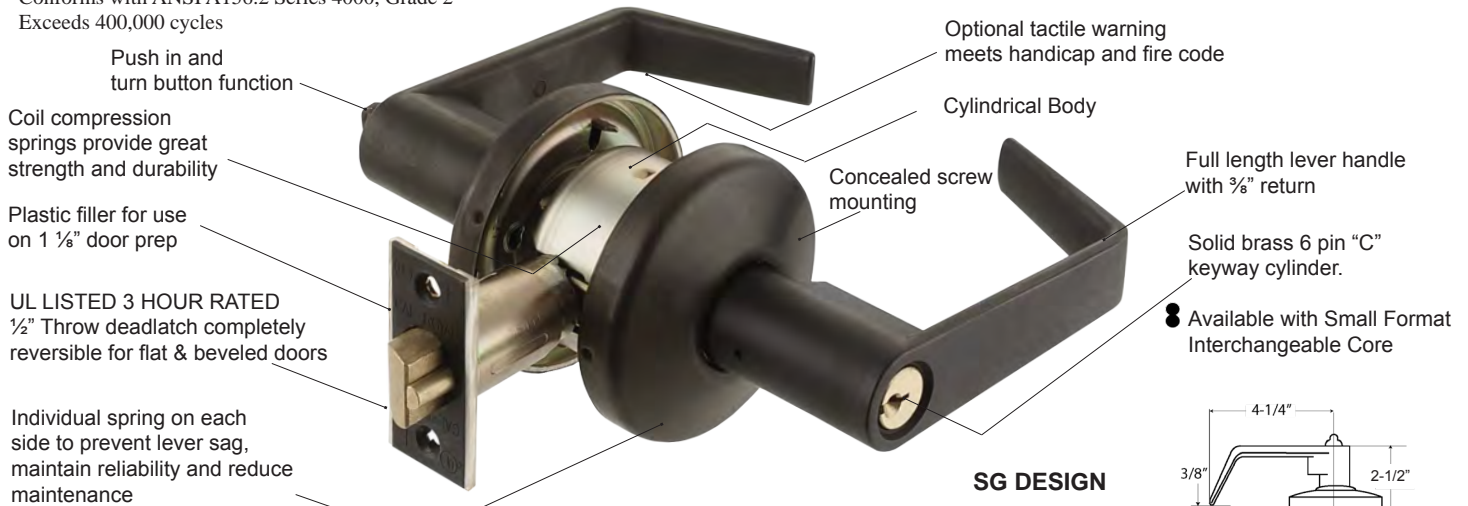
CHALLENGER

NON CLUTCH MECHANISM CYLINDRICAL LEVERSET

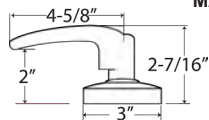
 Meets ADA requirements
Specially designed for Barrier Free Application
Conforms with ANSI A156.2 Series 4000, Grade 2
Exceeds 400,000 cycles



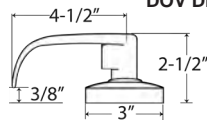
MEETS
The Buy American Act



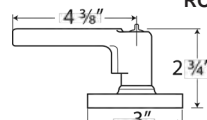
**MANHATTAN
MAN DESIGN**



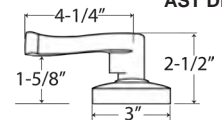
**DOVER
DOV DESIGN**



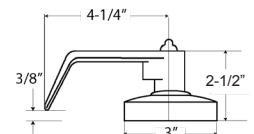
**ROCHESTER
ROC DESIGN**



**ASTOR
AST DESIGN**



SG DESIGN



SPECIFICATIONS

APPLICATIONS

For offices, schools, hospitals, apartments, hotel / motel, residential, commercial and public buildings.

DOOR RANGES

1 3/8" to 2" thickness.

BACKSET

2 3/4" Standard, 2 3/8", 3 3/4" and 5" optional.

LATCH BOLT

1/2" Throw solid brass, reversible for RH or LH applications. UL Listed.

LATCH FACEPLATE

2 1/4" x 1", square corner packed with 1/8" plastic filler for 1 1/8" width.

ANSI STANDARDS

Meets or exceeds requirements of BHMA / ANSI A156.2 Series 4000, Grade 2 (FF-H 106C), 400,000 cycles.

EXPOSED TRIM

Wrought brass, bronze or stainless steel, levers are Zinc casting, plated to match trim finish.

KEYING

6-pin "C" keyway cylinder, 2 keys per lock. Keying as per individual job requirement.

CYLINDER & KEYWAYS

6 pin solid brass "C" keyway standard. Schlage E, Schlage C-K, Russwin D1-2-3-4, Corbin 59 / 60, Corbin-Russwin L4, Sargent LA-LB-LC, Falcon / Weiser E, Arrow A, Yale 8, Yale GA and Kwikset. Can also accept Medeco, Assa, Kaba and Cal-Royal (HSK) High Security Cylinders.

INTERCHANGEABLE CORE

Interchangeable Core locks will accept compatible 6 or 7 pin cores with BEST, FALCON and ARROW. Prefix "IC" before part number. Available combined or uncombined. Temporary construction cores available. Factory keying with control key and master key available.

STRIKES

ASA strike standard, "T" and full lip strike available on request.

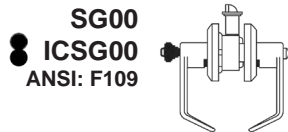
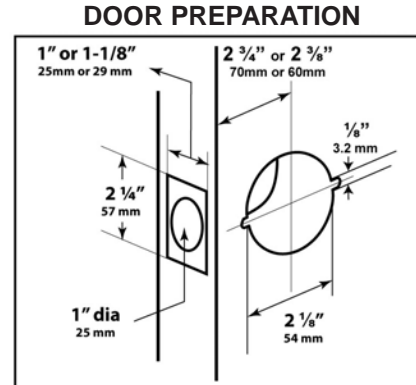
TACTILE & LEAD LINING available upon request.

CHALLENGER SERIES FINISHES AND FUNCTIONS



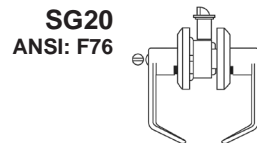
FINISHES AVAILABLE		
BHMA SYMBOL	US CODE	DESCRIPTION
605	US3	Polished Brass
606	US4	Satin Brass
609	US5	Antique Brass
612	US10	Satin Bronze
613	US10B	Oil Rubbed Bronze
619	US15	Satin Nickel
625	US26	Polished Chrome
626	US26D	Satin Chrome

Refer to price list for stock finishes and functions



SG00
ICSG00
ANSI: F109

ENTRANCE / OFFICE LOCK
Turn / Push button locking. Pushing and turning button locks outside lever requiring use of key until button is manually unlocked. Pushing button locks outside lever until unlocked with key or inside lever is turned.



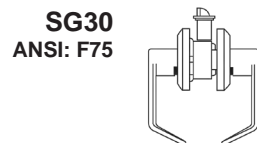
SG20
ANSI: F76

PRIVACY LOCK
Latch bolt operated by lever from either side. Outside lever is locked by push button inside and unlocked by emergency release outside. Turning inside lever or closing door releases push button.



SG03
ICSG03
ANSI: F84

CLASSROOM LOCK
Dead locking latch bolt operated by lever from either side except when outside lever is locked from outside by key. When outside lever is locked, latch bolt is operated by turning inside lever.



SG30
ANSI: F75

PASSAGE SET
Latch bolt operated by lever from either side at all times.



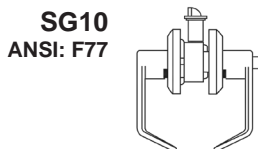
SG05
ICSG05
ANSI: F86

STOREROOM LOCK
Dead locking latch bolt operated by key in outside lever or by rotating inside lever. Outside lever is always fixed.



SG40

DUMMY LEVER
Single dummy trim for one side of door. Pull only.



SG10
ANSI: F77

PATIO
Deadlocking latch bolt operated by lever from either side. Outside lever is locked by push button inside and unlocked by rotating inside lever or closing door.



SG50
ANSI: F89

EXIT LOCK
Blank plate outside. Inside lever always unlocked.

HOW TO ORDER:
For "MAN", "AST", "ROC" or "DOV" designs, replace design name.
Example: SG00 entrance in "AST" is AST00.

● "IC" Indicates function available with BEST, FALCON & ARROW Interchangeable Core.

OTHER FUNCTIONS NOT LISTED ARE AVAILABLE UPON REQUEST

TUSCANY

CLUTCH MECHANISM

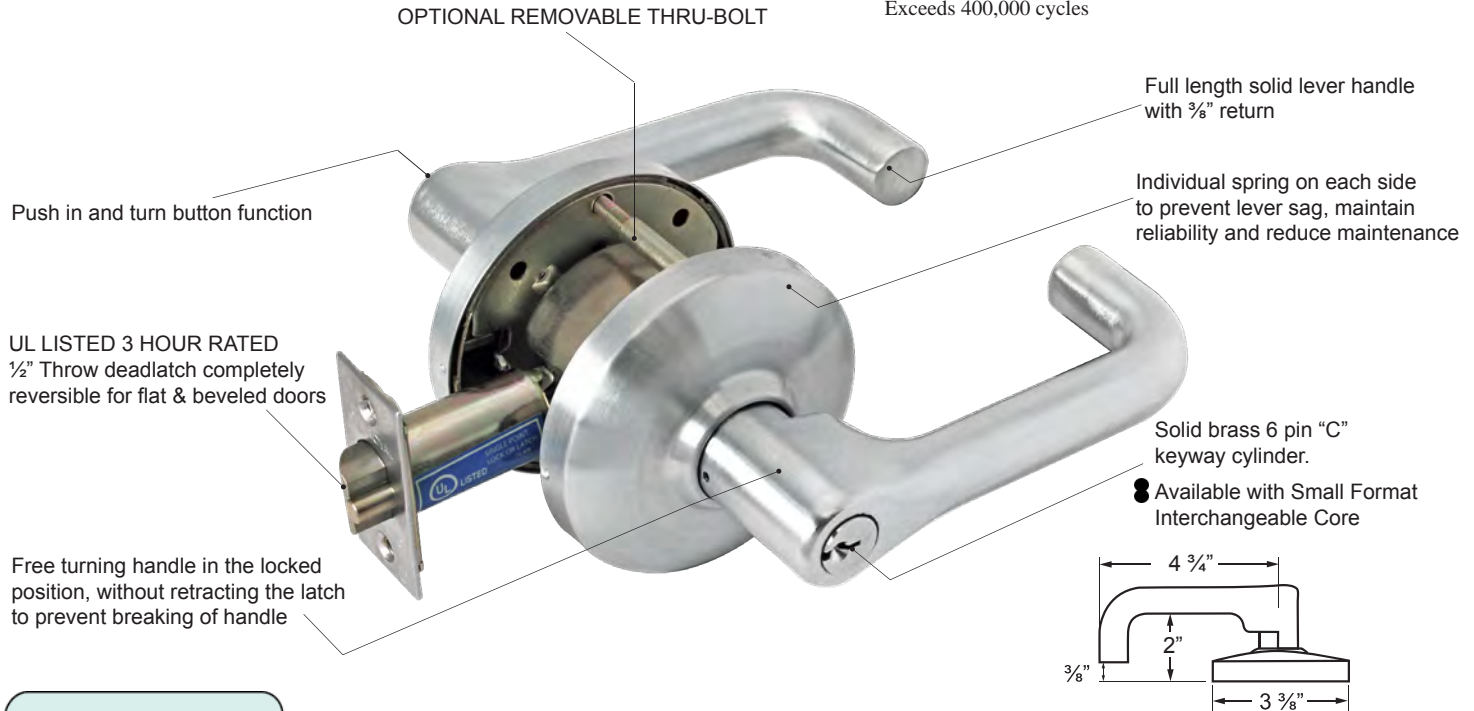
OPTIONAL THRU BOLT INSTALLATION



MEETS
The Buy American Act



Meets ADA requirements
Specially designed for Barrier Free Application
Conforms with ANSI A156.2 Series 4000, Grade 2
Exceeds 400,000 cycles



SPECIFICATIONS

GENERAL

Full length 4 3/4" lever handle with 3/8" return . Rose diameter 3 3/8". Key removable outside lever for fast re-keying. Non-handed levers. Concealed mounting screws.

CLUTCH

Free turning handle in the lock position without retracting the latch, to deter breaking of handle.

APPLICATIONS

For offices, schools, hospitals, apartments, hotel / motel, residential, commercial and public buildings.

DOOR RANGES

1 3/8" to 1 3/4" thickness. 2" to 2 1/4" thickness also available upon request.

ANSI STANDARDS

Meets or exceeds BHMA/ANSI A 156.2 Series 4000, Grade 2 (FF-H 106C)

LATCH FACEPLATE

Standard 2 1/4" x 1 1/8" for 2 3/4" backset.

TRIM

Optional thru-bolted assembly through door with separate spring cage for each lever.

STRIKES

ASA 1 1/4" x 4 7/8" standard. Other strikes available upon request.

CYLINDER & KEYWAYS

6 pin solid brass "C" keyway standard. Schlage E, Schlage C-K, Russwin D1-2-3-4, Corbin 59 / 60, Corbin-Russwin L4, Sargent LA-LB-LC, Falcon / Weiser E, Arrow A, Yale 8, Yale GA and Kwikset. Can also accept Medeco, Assa, Kaba and Cal-Royal (HSK) High Security Cylinders.

HOUSING

Cold Rolled Steel and Zinc Dichromate finish for rust resistance with precision cast steel retractor. 2 1/8" diameter bore.

INTERCHANGEABLE CORE (IC)

Interchangeable Core locks will accept compatible 6 or 7 pin cores with BEST, FALCON and ARROW. Prefix "IC" before part number. Available combined or uncombined. Temporary construction cores available. Factory keying with control key and master key available.

LATCH OPTIONS

2 3/4" standard, brass with 1/2" throw. 2 3/8", 3 3/4" and 5" backset optional. GND750 deadlatch reversible for flat and beveled door. 3/4" throw anti-friction deadlatch for pair of fire doors.

TUSCANY "TUSL" SERIES FINISHES AND FUNCTIONS

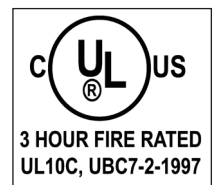
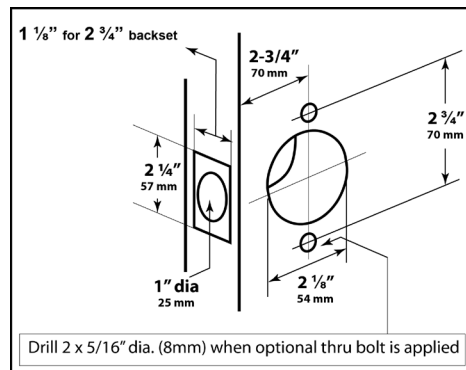


FINISHES AVAILABLE

BHMA SYMBOL	US CODE	DESCRIPTION
605	US3	Polished Brass
606	US4	Satin Brass
609	US5	Antique Brass
612	US10	Satin Bronze
613	US10B	Oil Rubbed Bronze
619	US15	Satin Nickel
626	US26D	Satin Chrome

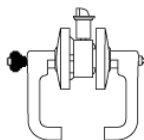
Refer to price list for stock finishes and functions

DOOR PREPARATION



CTUSL00

ICCTUSL00
ANSI: F109
FED#161A/160A

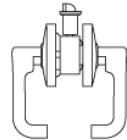


ENTRANCE / OFFICE LOCK

Turn / Push button locking. Pushing and turning button locks outside lever requiring use of key until button is manually unlocked. Pushing button locks outside lever until unlocked with key or inside lever is turned.

TUSL20

CTUSL20
ANSI: F76

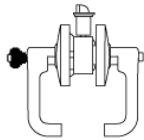


PRIVACY LOCK

Latch bolt operated by lever from either side. Outside lever is locked by push button inside and unlocked by emergency release outside. Turning inside lever or closing door releases push button.

CTUSL01

ICCTUSL01
ANSI: F82
FED#161B/160B

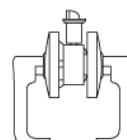


ENTRANCE LOCK PUSH BUTTON

Pushing button in inside lever locks outside lever. Turning inside lever or operating key in outside lever releases button automatically. Closing door does not release button. Button cannot be fixed in lock position. Inside lever always free. Latch bolt automatically deadlocks when door is closed.

TUSL30

ANSI: F75

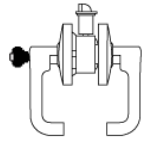


PASSAGE SET

Latch bolt operated by lever from either side at all times.

CTUSL03

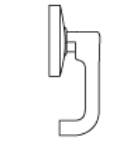
ICCTUSL03
ANSI: F84
FED#161R/160R



CLASSROOM LOCK

Dead locking latch bolt operated by lever from either side except when outside lever is locked from outside by key. When outside lever is locked, latch bolt is operated by turning inside lever.

TUSL40

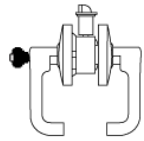


DUMMY LEVER

Single dummy trim for one side of door. Pull only.

CTUSL05

ICCTUSL05
ANSI: F86
FED#161D/160D

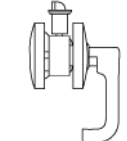


STOREROOM LOCK

Dead locking latch bolt operated by key in outside lever or by rotating inside lever. Outside lever is always fixed.

TUSL50

ANSI: F89



EXIT LOCK

Blank plate outside. Inside lever always unlocked.

⦿ "IC" Indicates function available with BEST, FALCON & ARROW Interchangeable Core.

ALL OTHER FUNCTIONS NOT LISTED ARE AVAILABLE ON SPECIAL ORDER

BARRINGTON
QUALITY DESIGNED AND ENGINEERED
FOR COMMERCIAL BUILDINGS



LIFETIME WARRANTY

MEETS
The Buy American Act

Conforms with ANSI A156.2
Series 4000, Grade 2 (FF-H-106C)
Exceeds 400,000 cycles

Button push in and turn button function

Knob cannot slip or pull off. Both kept in position by positive spring catch

Internal mechanism heavy gauge cold rolled steel. All parts are zinc plated and dichromated to assure protection from rust or corrosion. Special lubricant applied for smoother operation

Throw bolt affords a high degree of security. Standard with solid, rustless, pressure cast. #300 series anti-magnetic stainless steel or brass latch bolt available with UL listed latch bolt for 3 hour rated door 4' x 8' or non UL latch bolt

Guard bolt dead locks latch bolt automatically

Latch case sturdy all steel mechanism

Inside rose, threaded 3" diameter large rose adjustable for various door thickness

Cylindrical housing 2 1/8" diameter provides great strength and durability

Outside rose, threaded 3" diameter large rose adjustable for various door thickness

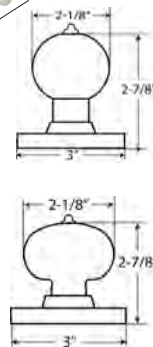
Long spindle hub eliminates hub wobble

Solid brass 6 pin "C" keyway cylinder.

Available with Best / Falcon Style (SFIC) Interchangeable Core

Cylinder precision solid brass. Pick resistant 6-pin tumbler. Must turn key one-quarter to remove and replace cylinder. Can be construction keyed and master keyed as required

Cylinder knob demountable for quick re-keying and replacement: reversible for either left or right hand door swinging in or out



BA DESIGN

PLG DESIGN

SPECIFICATIONS

DOOR RANGES

1 3/8" to 1 3/4" thickness doors.

BACKSET

2 3/4" Standard, 2 5/8", 3 3/4" and 5" extension available.

LATCH FACEPLATE

2 1/4" x 1 1/8" for 2 3/4" backset, 2 1/4" x 1" for 2 5/8" backset.

STRIKES

ANSI strike standard, 4 7/8" x 1 1/4". Optional "T" and full lip strike available on request.

KEYING

6-pin "C" keyway cylinder, 2 keys per lock.

EXPOSED TRIM

Wrought brass, bronze or stainless steel.

ADDITIONAL KEYWAYS

6 pin solid brass "C" keyway standard. Schlage E, Schlage C-K, Russwin D1-2-3-4, Corbin 59 / 60, Corbin-Russwin L4, Sargent LA-LB-LC, Falcon / Weiser E, Arrow A, Yale 8, Yale GA and Kwikset. Can also accept Medeco, Assa, Kaba and Cal-Royal (HSK) High Security Cylinders.

BORE DIAMETER

1" for latch. 2 1/8" for lock housing.

INTERCHANGEABLE CORE

Interchangeable Core locks will accept compatible 6 or 7 pin cores with BEST, FALCON and ARROW. Prefix "IC" before part number. Available combined or uncombined. Temporary construction cores available. Factory keying with control key and master-key available.

ANSI STANDARDS

Meets or exceeds requirements of BHMA / ANSI A156.2 series 4000 for Grade 2 (FF-H-106C).

BARRINGTON BA SERIES FINISHES AND FUNCTIONS

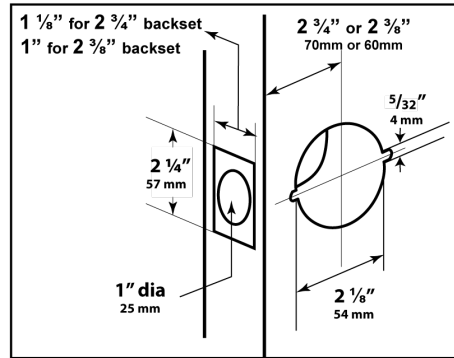


FINISHES AVAILABLE

BHMA SYMBOL	US CODE	DESCRIPTION
605	US3	Polished Brass
606	US4	Satin Brass
609	US5	Antique Brass
612	US10	Satin Bronze
613	US10B	Oil Rubbed Bronze
619	US15	Satin Nickel
625	US26	Polished Chrome
626	US26D	Satin Chrome

Refer to price list for stock finishes and functions

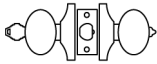
DOOR PREPARATION



LIFETIME WARRANTY



BA00
ICBA00
PLG00
ANSI F109
FED# 161A / 160A



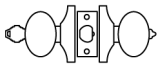
ENTRANCE / OFFICE LOCK
Turn / Push button locking. Pushing and turning button locks outside knob requiring use of key until button is manually unlocked. Pushing button locks outside knob until unlocked with key or inside knob is turned.

BA09
ICBA09
PLG09
ANSI F87



INSTITUTION
Deadlocking latch bolt operated by key in knob from either side. Both knobs are always fixed.

COMBINATION ENTRANCE / OFFICE LOCK AND SINGLE CYLINDER DEADBOLT -- KA / 2 PACKED TOGETHER



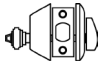
Turn / Push button locking. Pushing and turning button locks outside knob requiring use of key until button is manually unlocked. Pushing button locks outside knob until unlocked with key or inside knob is turned.

BA80
ICBA80
PLG50



EXIT LOCK / CONNECTING ROOM
Deadlocking latch bolt operated with key from inside only. Blank plate outside.

BA00 / T220



Dead locking latch bolt retracted by key from outside or by thumb turn on inside. Adjustable 2 3/8" or 2 3/4" backset.

BA101
ICBA101
ANSI: F90-2



CORRIDOR LOCK / DORMITORY
Deadlocking latch bolt operated by knob from either side except when outside knob is locked by key or by push button on inside. Key in outside knob locks or unlocks outside knob. Rotating inside knob releases push button. Inside knob always operates.

BA01
ICBA01
ANSI: F82
FED#161A/160A



ENTRANCE / PUSH BUTTON LOCK
Pushing button in inside knob locks outside knob. Turning inside knob or operating key in outside knob releases button automatically. Closing door does not release button. Button cannot be fixed in lock position. Inside knob always free. Latch bolt automatically deadlocks when door is closed.

BA10
ANSI F77
FED# 161P / 160P



PATIO LOCK
Deadlocking latch bolt operated by knob from either side. Outside knob is locked by push button inside and unlocked by rotating inside knob or closing door.

BA02
ICBA02
PLG02
ANSI F91



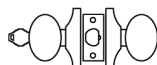
STORE LOCK
Deadlocking latch bolt operated by knob from either side, except when both knobs are locked by key in knob from either side.

BA20
PLG20
ANSI F76
FED#161L / 160L



PRIVACY LOCK
Latch bolt operated by knob from either side. Outside knob is locked by push button inside and unlocked by emergency release outside. Turning inside knob or closing door releases push button.

BA03
ICBA03
PLG03
ANSI F84



CLASSROOM
Deadlocking latch bolt operated by knob from either side except when outside knob is locked from outside by key. When outside knob is locked, latch bolt is operated by turning inside knob.

BA30
PLG30
ANSI F75
FED#161N / 160N



PASSAGE SET
Latch bolt operated by knob from either side at all times.

BA04
ICBA04
PLG04
ANSI F80



COMMUNICATING
Deadlocking latch bolt operated by knob from either side. Turning key in either knob locks or unlocks its own knob independently.

BA40
PLG40



DUMMY LEVER
Single dummy trim for one side of door. Pull only.

BA05
ICBA05
PLG05
ANSI F86



STOREROOM
Deadlocking latch bolt operated by key in outside knob or by rotating inside knob. Outside knob is always fixed.

BA50
ANSI F89



EXIT LOCK
Deadlocking latch bolt by inside knob. Outside plate only.

BA06
ICBA06
ANSI F88



VESTIBULE
Deadlocking latch bolt operated by knob from either side except when outside knob is locked by key from inside. Latch bolt may be retracted by key in outside knob or by rotating inside knob.

HOW TO ORDER:
For "PLG" designs, replace design name.
Example: BA00 entrance in "PLG" is PLG00.


(IC) Indicates function available with BEST, FALCON & ARROW Interchangeable Core.

ALL OTHER FUNCTIONS NOT LISTED ARE AVAILABLE ON SPECIAL ORDER

HIL SERIES
INTERCONNECTED LOCKS

4" CTC BORE

ANSI A156.12 GRADE 2

 Meets ADA requirements
Specially designed for Barrier Free Application
Conforms with BHMA/ANSI A156.12 Series 5000,
Grade 2, Exceeds 400,000 cycles



MEETS
The Buy American Act

1" (25mm) Throw deadbolt with
concealed hardened steel roller

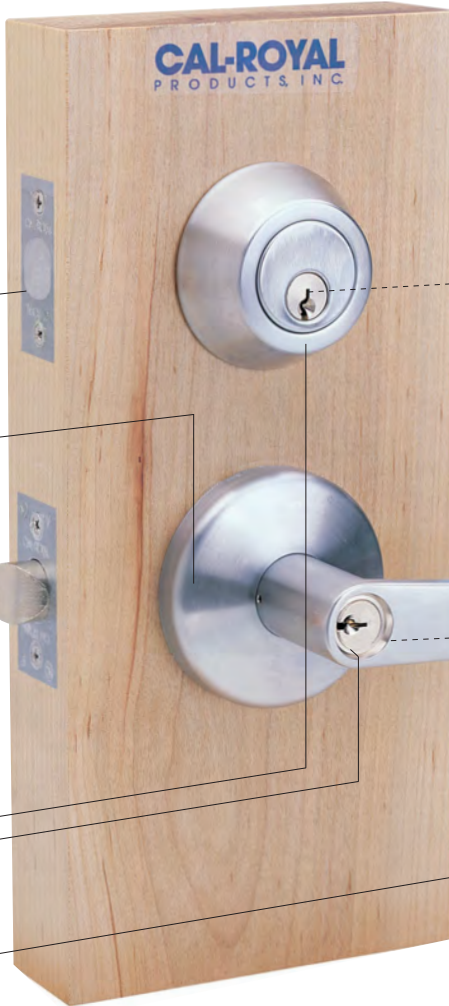
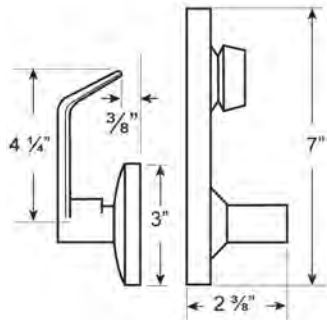
Unique individual spring on exterior
and interior side of lever to prevent
lever sag

1/2" (13mm) Throw universal
deadlatch reversible RH / LH,
adjustable front for flat or beveled
doors. UL Listed 3 Hour Rated

Precision solid brass 6-pin "C" keyway.

Available with Small Format
Interchangeable Core
on deadbolt and lever

Key removable diecast lever for quick
re-keying or cylinder replacement



4" CTC



Available with Interchangeable Core
on deadbolt and lever.



Available with Interchangeable Core
on deadbolt and lever.



Available with Interchangeable Core
on deadbolt and lever.

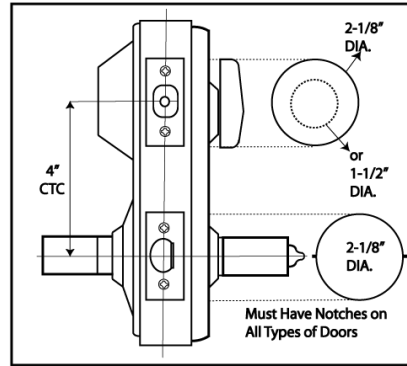
HIL SERIES FINISHES, FUNCTIONS AND SPECIFICATIONS



FINISHES AVAILABLE		
BHMA SYMBOL	US CODE	DESCRIPTION
605	US3	Polished Brass
606	US4	Satin Brass
609	US5	Antique Brass
612	US10	Satin Bronze
613	US10B	Oil Rubbed Bronze
619	US15	Satin Nickel
625	US26	Polished Chrome
626	US26D	Satin Chrome

Refer to price list for stock finishes and functions

DOOR PREPARATION



SPECIFICATIONS

GENERAL SPECIFICATIONS: Simultaneous retraction on both latch and deadbolts from inside by turning the lever in a panic-proof exit situation. Top lock is heavy duty deadbolt with the bottom lock having a cylindrical body. High security with a double locking point using the keyed lock function.

ANSI STANDARDS: Meet ANSI A 156.12 Series 5000 Grade 2 Requirements.

CYLINDER & KEYWAY: 6 pin solid brass "C" keyway, Schlage E, Schlage C-K, Russwin D1-2-3-4, Corbin 59 / 60, Sargent LA-LB-LC, Falcon / Weiser E, Arrow A, Yale 8, Yale GA and Kwikset. Can also accept Medeco, Assa, Kaba and Cal-Royal (HSK) High security Cylinders.

INTERCHANGEABLE CORE: Interchangeable Core Locks will accept compatible 6 or 7 pin cores with BEST, FALCON & ARROW. Prefix "IC" before part number. Available combined or uncombined. Temporary construction cores and factory keying with control key & master key available.

TRIM: HIL, ASTOR, DOVER and MANHATTAN designs. Refer to picture in front page. Lever length is 4 1/4".

STRIKES: Standard "T" strike furnished with lockset. 2 3/4" x 1 1/8" square strike with deadbolt.

ESCUTCHEON: 2 11/16" x 7" brass plated. Packed with interior escutcheon. Optional external escutcheon available.

FUNCTIONS: Classroom, Storeroom and Dummy available upon request.

DEADBOLT: 1" Throw. Brass with hardened steel pin. Adjustable 2 3/4" or 2 3/8", front 2 1/4" x 1 1/8" square face.

LATCH BOLT: "UL" Listed for 3 hour doors. 2 3/4" standard backset, 1/2" throw.

LATCH FACEPLATE: Standard 2 1/4" x 1 1/8" for 2 3/4" backset. 2 1/4" x 1" for 2 3/8" backset optional.

DOOR RANGE: 1 3/8" - 1 3/4" door thickness.

HOUSING: Steel and Zinc dichromate finish for rust resistance.

HIL30

● ICHIL30
ANSI: F95

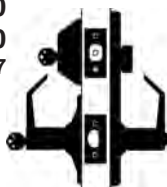


SINGLE LOCKING, PASSAGE LEVER

Deadbolt thrown or retracted by key in upper lock from outside or by inside turn unit. Latch bolt retracted by lever from either side. Lever retracts deadbolt and latch bolt simultaneously for immediate exit.

HIL00

●● ICHIL00
ANSI: F97



DOUBLE LOCKING, ENTRANCE LEVER

Deadbolt thrown or retracted by key in upper lock from outside or by inside turn unit. Dead latch retracted by key in outer when locked by pushing turn button in inner lever. Outer lever may be fixed in locked position by rotating turn button. Turning inside lever retracts deadbolt and latch bolt simultaneously for immediate exit.

HOW TO ORDER:

When ordering HIL AST design, replace design name.

Example:

HIL00 in AST is HILAST00

OTHER FUNCTIONS NOT LISTED ARE AVAILABLE UPON REQUEST

● Indicates deadbolts that are available with Interchangeable Core. Interchangeable Core deadbolts will accept compatible 6 or 7 pin Core with Best, Falcon and Arrow. Prefix "IC" before part number.

●● Available with Small Format Interchangeable Core on deadbolt and lever.

JHIL SERIES
INTERCONNECTED LOCKS

OPTIONAL 4" or 5 1/2" CTC BORE
ANSI A156.12 GRADE 2



LIFETIME WARRANTY

MEETS
The Buy American Act



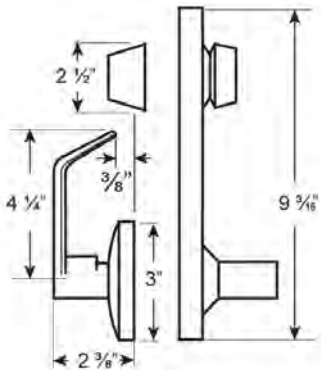
Meets ADA requirements
Specially designed for Barrier Free Application
Conforms with ANSI A156.12 Series 5000, Grade 2
Exceeds 400,000 cycles

1" (25mm) Throw. Adjustable
2 3/8" - 2 3/4" deadbolt latch
with concealed hardened
steel roller

Standard 2 1/4" x 1". Packed
with 1/8" plastic filler to convert
1" face plate to 1 1/8" wide
door preparations

1/2" (13mm) Throw universal
deadlatch reversible RH / LH,
adjustable front for flat or
beveled doors. UL Listed
3 Hour Rated

Unique individual spring on
exterior and interior side of
lever to prevent lever sag



ADA
Thumbturn
Design

4" or 5 1/2"
CTC



Interconnecting mechanism
Optional CTC 4" and 5 1/2"



Precision solid brass 6-pin "C" keyway.

Available with Small Format Interchangeable Core on deadbolt and lever



Available with Interchangeable Core on deadbolt and lever.
Available with Schlage Large Format Interchangeable Core on deadbolt only.



Available with Interchangeable Core on deadbolt and lever.
Available with Schlage Large Format Interchangeable Core on deadbolt only.



Available with Interchangeable Core on deadbolt and lever.
Available with Schlage Large Format Interchangeable Core on deadbolt only.

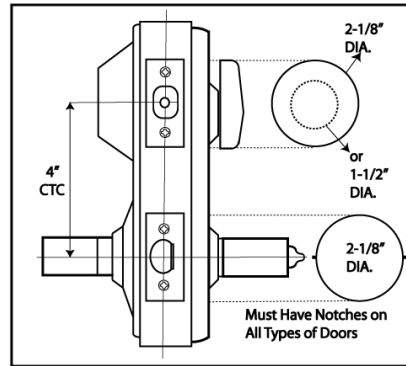
JHIL SERIES FINISHES, FUNCTIONS AND SPECIFICATIONS



FINISHES AVAILABLE		
BHMA SYMBOL	US CODE	DESCRIPTION
605	US3	Polished Brass
606	US4	Satin Brass
609	US5	Antique Brass
612	US10	Satin Bronze
613	US10B	Oil Rubbed Bronze
619	US15	Satin Nickel
625	US26	Polished Chrome
626	US26D	Satin Chrome

Refer to price list for stock finishes and functions

DOOR PREPARATION



LIFETIME WARRANTY



SPECIFICATIONS

GENERAL SPECIFICATIONS: Simultaneous retraction on both latch and deadbolts from inside by turning the lever in a panic-proof exit situation. Top lock is heavy duty deadbolt with the bottom lock having a cylindrical body. High security with a double locking point using the keyed lock function.

ANSI STANDARDS: Meet ANSI A 156.12 Series 5000 Grade 2 Requirements.

CYLINDER & KEYWAY: 6 pin solid brass "C" keyway, Schlage E, Schlage C-K, Russwin D1-2-3-4, Corbin 59 / 60, Sargent LA-LB-LC, Falcon / Weiser E, Arrow A, Yale 8, Yale GA and Kwikset. Can also accept Medeco, Assa, Kaba and Cal-Royal (HSK) High security Cylinders.

INTERCHANGEABLE CORE: Interchangeable Core Locks will accept compatible 6 or 7 pin cores with BEST, FALCON & ARROW. Prefix "IC" before part number. Available combined or uncombined. Temporary construction cores and factory keying with control key & master key available.

LARGE FORMAT INTERCHANGEABLE CORE: Interchangeable Core Locks for Schlage. Prefix "ICSC" before part number.

HOUSING: Steel and Zinc dichromate finish for rust resistance.

STRIKES: Standard "T" strike furnished with lockset. 2 3/4" x 1 1/8" square strike with deadbolt.

ESCUTCHEON: 9 3/16" x 3 3/16" brass plated. Packed with interior escutcheon. Optional external escutcheon available.

FUNCTIONS: Entrance (Double Locking), Classroom, Storeroom and Dummy available upon request.

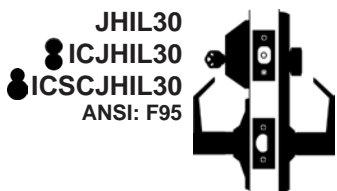
DEADBOLT: 1" Throw. Adjustable 2 3/4" or 2 3/8" Brass with hardened steel pin. Standard 2 1/4" x 1" face plate, packed with 1/8" plastic filler for 1 1/8" door prep.

LATCH BOLT: 1/2" Throw. "UL" Listed for 3 hour doors. 2 3/4" standard backset with 2 3/8" optional.

LATCH FACEPLATE: Standard 2 1/4" x 1" face plate, packed with 1/8" plastic filler for 1 1/8" door preparations.

DOOR RANGE: 1 3/8" – 1 3/4"

TRIM: JHIL, DOVER, MANHATTAN and ROCHESTER designs. Refer to picture in front page. Lever length is 4 1/4".



SINGLE LOCKING, PASSAGE LEVER

Deadbolt thrown or retracted by key in upper lock from outside or by inside turn unit. Latch bolt retracted by lever from either side. Lever retracts deadbolt and latch bolt simultaneously for immediate exit.



DOUBLE LOCKING, ENTRANCE LEVER

Deadbolt thrown or retracted by key in upper lock from outside or by inside turn unit. Dead latch retracted by key in outer when locked by pushing turn button in inner lever. Outer lever may be fixed in locked position by rotating turn button. Turning inside lever retracts deadbolt and latch bolt simultaneously for immediate exit.

HOW TO ORDER:
When ordering JHIL DOV design, replace design name.
Example:
JHIL00 in DOV is JHILDOV00

OTHER FUNCTIONS NOT LISTED ARE AVAILABLE UPON REQUEST

● Indicates **deadbolts** that are available with a Small Format Interchangeable Core. Interchangeable Core deadbolts will accept compatible 6 or 7 pin Core with Best, Falcon and Arrow. Prefix "IC" before part number.

● Indicates **deadbolts** that are available with Large Format Interchangeable Core. Large Format Interchangeable Core deadbolts for Schlage. Prefix "ICSC" before part number.

JHIL SERIES

INTERCONNECTED ENTRANCE LEVER SERIES

ANSI A156.12 SERIES 5000, GRADE 2, UL LISTED

WITH OPTIONAL LARGE FORMAT

INTERCHANGEABLE FOR SCHLAGE



LIFETIME WARRANTY

MEETS
The Buy American Act



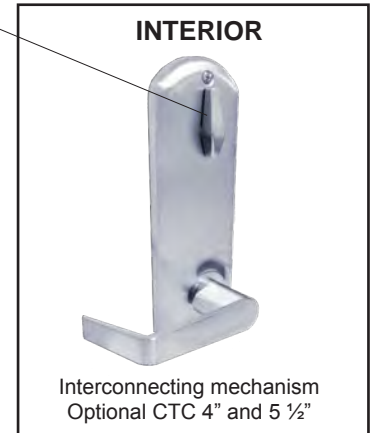
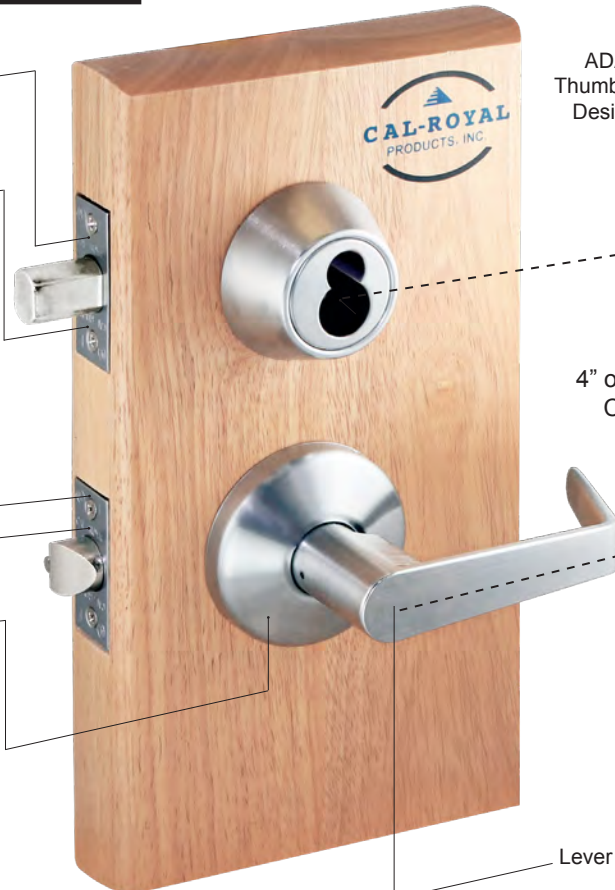
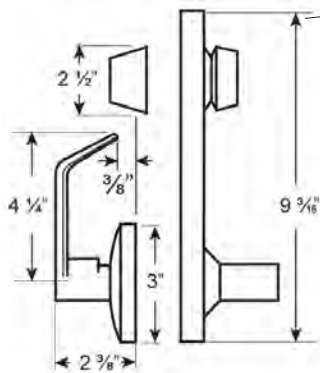
Meets ADA requirements
Specially designed for Barrier Free Application
Conforms with ANSI A156.12 Series 5000, Grade 2
Exceeds 400,000 cycles

1" (25mm) Throw. Adjustable
2 $\frac{3}{8}$ " - 2 $\frac{3}{4}$ " deadbolt latch with
concealed hardened steel
roller

Standard 2 $\frac{1}{4}$ " x 1". Packed
with $\frac{1}{8}$ " plastic filler to
convert 1" face plate to 1 $\frac{1}{8}$ "
wide door preparations

$\frac{1}{2}$ " (13mm) Throw universal
deadlatch reversible RH /
LH, adjustable front for flat or
beveled doors. UL Listed 3
Hour Rated

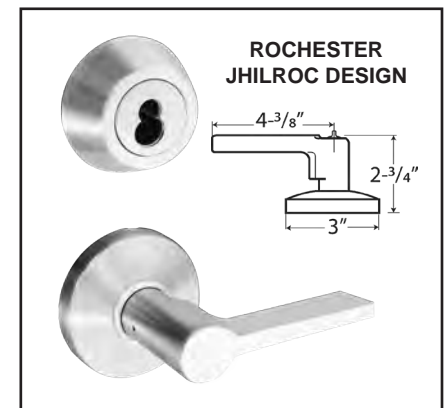
Unique individual spring on
exterior and interior side of
lever to prevent lever sag



Available with Schlage Large Format Interchangeable Core on deadbolt only.



Available with Schlage Large Format Interchangeable Core on deadbolt only.



Available with Schlage Large Format Interchangeable Core on deadbolt only.

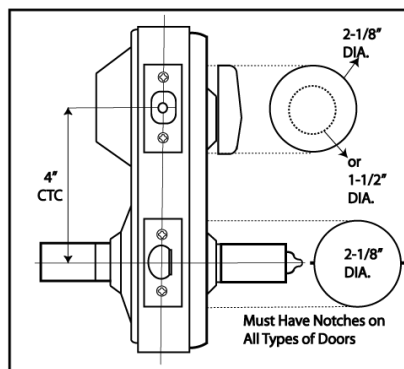
JHIL SERIES FINISHES, FUNCTIONS AND SPECIFICATIONS



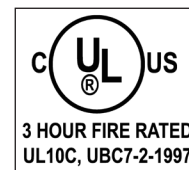
FINISHES AVAILABLE		
BHMA SYMBOL	US CODE	DESCRIPTION
605	US3	Polished Brass
606	US4	Satin Brass
609	US5	Antique Brass
612	US10	Satin Bronze
613	US10B	Oil Rubbed Bronze
619	US15	Satin Nickel
625	US26	Polished Chrome
626	US26D	Satin Chrome

Refer to price list for stock finishes and functions

DOOR PREPARATION



LIFETIME WARRANTY



SPECIFICATIONS

GENERAL SPECIFICATIONS: Simultaneous retraction on both latch and deadbolts from inside by turning the lever in a panic-proof exit situation. Top lock is heavy duty deadbolt with the bottom lock having a cylindrical body. High security with a double locking point using the keyed lock function.

ANSI STANDARDS: Meet ANSI A 156.12 Series 5000 Grade 2 Requirements.

CYLINDER & KEYWAY: 6 pin solid brass "C" keyway, Schlage E, Schlage C-K, Russwin D1-2-3-4, Corbin 59 / 60, Sargent LA-LB-LC, Falcon / Weiser E, Arrow A, Yale 8, Yale GA and Kwikset. Can also accept Medeco, Assa, Kaba and Cal-Royal (HSK) High security Cylinders.

LARGE FORMAT INTERCHANGEABLE CORE: Interchangeable Core Locks for Schlage. Prefix "ICSC" before part number.

HOUSING: Steel and Zinc dichromate finish for rust resistance.

STRIKES: Standard "T" strike furnished with lockset. 2 3/4" x 1 1/8" square strike with deadbolt.

ESCUTCHEON: 9 3/16" x 3 3/16" brass plated. Packed with interior escutcheon. Optional external escutcheon available.

FUNCTIONS: Classroom, Storeroom and Dummy available upon request.

DEADBOLT: 1" Throw. Adjustable 2 3/4" or 2 5/8" Brass with hardened steel pin. Standard 2 1/4" x 1" face plate, packed with 1/8" plastic filler for 1 1/8" door prep.

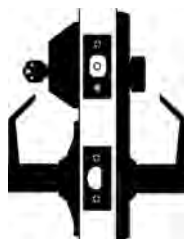
LATCH BOLT: 1/2" Throw. "UL" Listed for 3 hour doors. 2 3/4" standard backset with 2 3/8" optional.

LATCH FACEPLATE: Standard 2 1/4" x 1" face plate, packed with 1/8" plastic filler for 1 1/8" door preparations.

DOOR RANGE: 1 3/8" – 1 3/4"

TRIM: JHIL, DOVER, MANHATTAN and ROCHESTER designs. Refer to picture in front page. Lever length is 4 1/4".

ICSCJHIL30
ANSI: F95



SINGLE LOCKING, PASSAGE LEVER

Deadbolt thrown or retracted by key in upper lock from outside or by inside turn unit. Latch bolt retracted by lever from either side. Lever retracts deadbolt and latch bolt simultaneously for immediate exit.

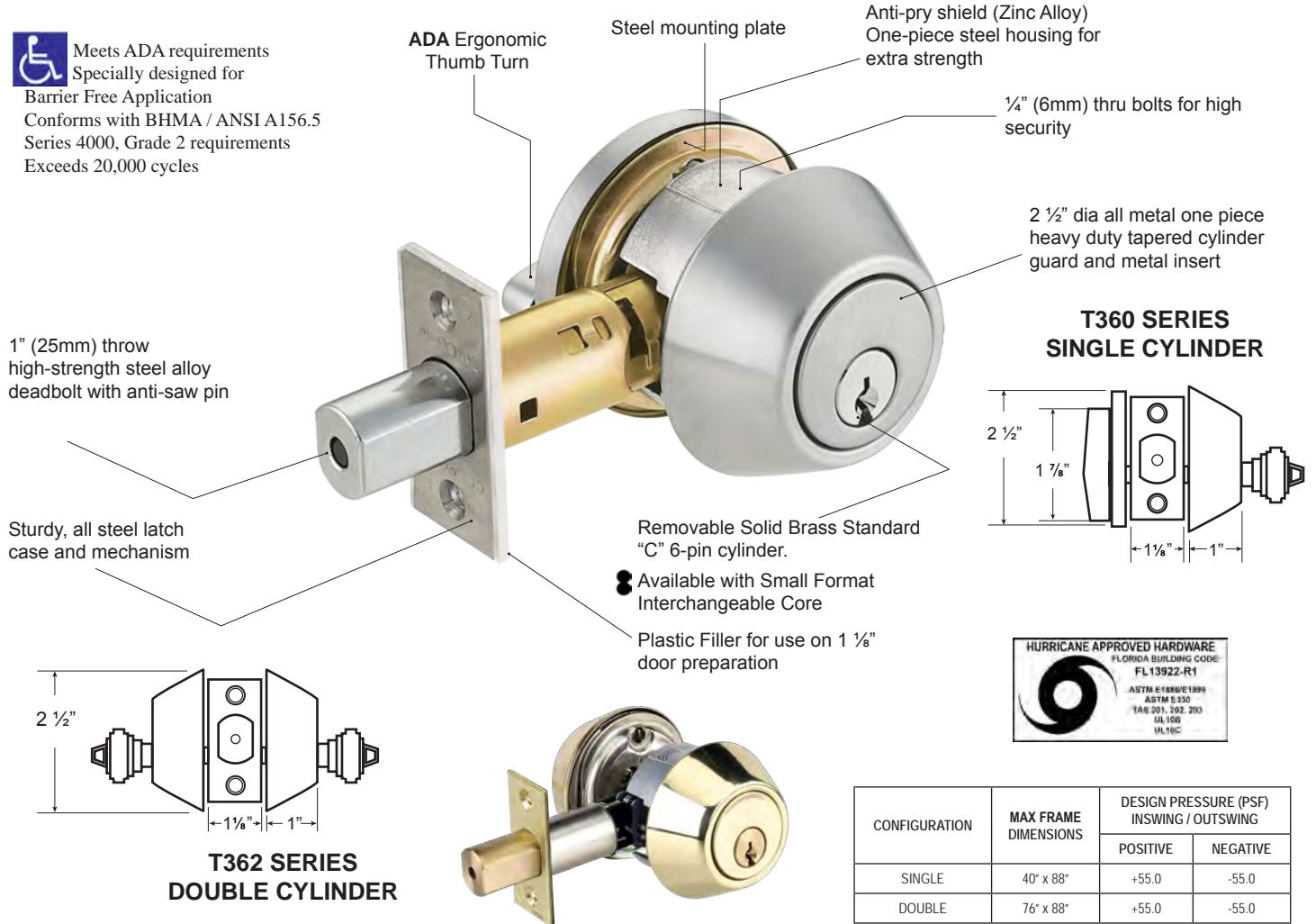
OTHER FUNCTIONS NOT LISTED ARE AVAILABLE UPON REQUEST

ICSC Indicates **deadbolts** that are available with Large Format Interchangeable Core. Large Format Interchangeable Core deadbolts for Schlage. Prefix "ICSC" before part number.

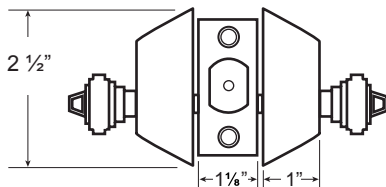
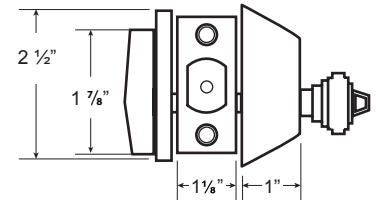
**T300 MAXIMUM SECURITY
HEAVY DUTY DEADBOLTS
FOR COMMERCIAL AND
RESIDENTIAL APPLICATIONS**



Meets ADA requirements
Specially designed for
Barrier Free Application
Conforms with BHMA / ANSI A156.5
Series 4000, Grade 2 requirements
Exceeds 20,000 cycles



**T360 SERIES
SINGLE CYLINDER**



**T362 SERIES
DOUBLE CYLINDER**

CONFIGURATION	MAX FRAME DIMENSIONS	DESIGN PRESSURE (PSF) INSWING / OUTSWING	
		POSITIVE	NEGATIVE
SINGLE	40" x 88"	+55.0	-55.0
DOUBLE	76" x 88"	+55.0	-55.0

SPECIFICATIONS

TRIM

Wrought Brass or Stainless Steel.

DOOR RANGES

Adjustable 1 3/8" (35mm) to 1 3/4" (45mm) door thickness. Optional 2 1/4" thick doors. Specify conversion kit for single (CONV T360) or double (CONV T362) Cylinder.

BACKSET

Adjustable UL Listed 3 Hour Fire Rating 2 3/8" or 2 3/4" latch bolt.

DEADBOLT FACEPLATE

Standard 2 1/4" X 1" packed with 1/8" plastic filler to convert 1" face plate to 1 1/8" wide door preparations.

BORE DIAMETER

1" for latch, 2 1/8" for lock housing.

STRIKE

1 1/8" X 2 3/4" square corner. Extra security 1" throw bolt with 1/4" free spinning anti-cut through pin. 2 pcs x 3" screws with wood frame reinforcer greatly strengthens door frames.

KEYWAYS

6 pin solid brass "C" keyway standard. Schlage E, Schlage C-K, Russwin D1-2-3-4, Corbin 59 / 60, Corbin-Russwin L4, Sargent LA-LB-LC, Falcon / Weiser E, Arrow A, Yale 8, Yale GA and Kwikset. Can also accept Medeco, Assa, Kaba and Cal-Royal (HSK) High Security Cylinders.

INTERCHANGEABLE CORE

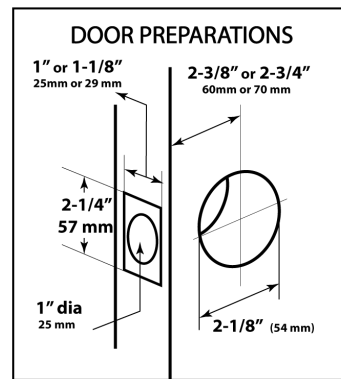
Interchangeable Core locks will accept compatible 6 or 7 pin cores with Best, Falcon and Arrow. Prefix "IC" before part number. Available combined or uncombined. Temporary construction cores available. Factory keying with control key and master key available.

T300 SERIES FINISHES AND FUNCTIONS



FINISHES AVAILABLE		
BHMA SYMBOL	US CODE	DESCRIPTION
605	US3	Polished Brass
606	US4	Satin Brass
609	US5	Antique Brass
612	US10	Satin Bronze
613	US10B	Oil Rubbed Bronze
619	US15	Satin Nickel
625	US26	Polished Chrome
626	US26D	Satin Chrome

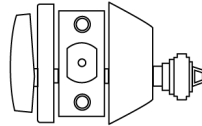
Refer to price list for stock finishes and functions



CONFIGURATION	MAX FRAME DIMENSIONS	DESIGN PRESSURE (PSF) INSWING / OUTSWING	
		POSITIVE	NEGATIVE
SINGLE	40" x 88"	+55.0	-55.0
DOUBLE	76" x 88"	+55.0	-55.0



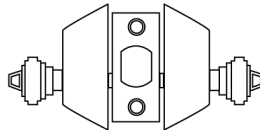
ULT360
ICULT360
ANSI E0152



Heavy Duty Single Cylinder Deadbolt

Deadbolt thrown or retracted by key from outside or by inside turn unit. Bolt automatically deadlocks when fully thrown.

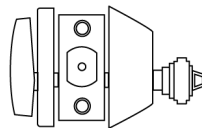
ULT362
ICULT362
ANSI E0142



Heavy Duty Double Cylinder Deadbolt

Deadbolt thrown or retracted by key from either side. Bolt automatically deadlocks when fully thrown.

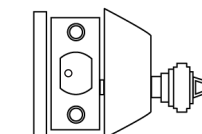
CL600
ICCL600
ANSI E0172



Classroom Deadbolt Lock

Deadbolt thrown or retracted by key from outside. Inside turn unit will retract bolt only. Bolt automatically deadlocks when fully thrown.
(fixed 2 3/4" latch bolt standard; specify 2 3/8" backset option)

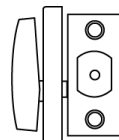
ULT700
ICULT700
ANSI E1161



One Way Dead Bolt WITH INTERNAL PLATE

Deadbolt thrown or retracted by key only. Bolt automatically deadlocks when fully thrown. Blank plate inside (exposed screws).

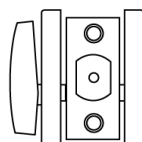
ULID363



One Sided Dead Bolt

Deadbolt thrown or retracted by turn unit only. No outside trim. Bore halfway through door for installation visible from one side of door only.

ULID365



One Sided Dead Bolt WITH EXTERNAL PLATE


Deadbolt thrown or retracted by turn unit only. Blank plate is on external trim to be used on bore holes 2 1/2" wide.

OTHER FUNCTIONS NOT LISTED ARE AVAILABLE UPON REQUEST

IC "IC" Indicates functions available with Interchangeable Core compatible with 6 or 7 pin cores by Best, Falcon and Arrow.

**LIFETIME
WARRANTY**

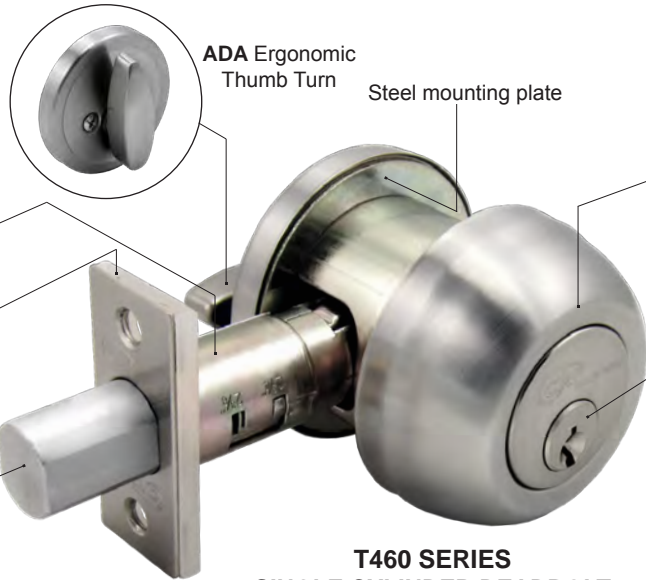
**T400 MAXIMUM SECURITY HEAVY DUTY DEADBOLTS
FOR COMMERCIAL AND RESIDENTIAL APPLICATIONS
GRADE 2**

 Meets ADA requirements
Specially designed for
Barrier Free Application
Conforms with ANSI A156.5
Series 4000, Grade 2 requirements
Exceeds 20,000 cycles

Sturdy, all steel latch
case and mechanism,
adjustable 2 3/8" or 2 3/4"

1/8" Plastic Filler to convert
1" face plate to 1 1/8" wide door
preparations

1" (25mm) throw
high-strength steel
alloy deadbolt with
anti-saw pin

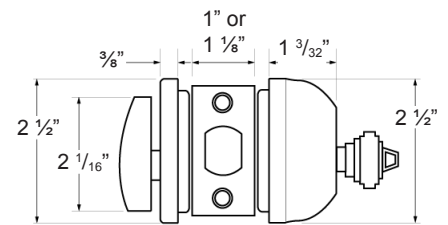


**T460 SERIES
SINGLE CYLINDER DEADBOLT**

2 1/2" dia all metal one piece
heavy duty tapered cylinder
guard and metal insert, turns
free with any removal attempt

Removable Solid Brass
Standard "C" 6-pin
or 5-pin Kwikset KW1
cylinder

T460 DEADBOLT



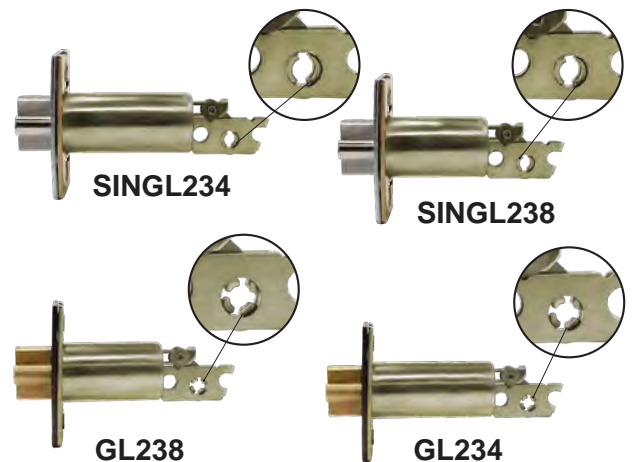
**T460 GATE LATCH
SINGLE CYLINDER**



**GL462 GATE LATCH
DOUBLE CYLINDER**



SINGL238 - 2 3/8" backset gate latch and for single cylinder deadbolt
SINGL234 - 2 3/4" backset gate latch and for single cylinder deadbolt
GL238 - 2 3/8" backset gate latch and for double cylinder deadbolt
GL234 - 2 3/4" backset gate latch and for double cylinder deadbolt



SPECIFICATIONS

TRIM

Wrought Brass or Stainless Steel.

DOOR RANGES

Adjustable 1 3/8" (35mm) to 2" (50.75mm) door thickness.

BACKSET

Adjustable 2 3/8" or 2 3/4" latch bolt. Gate latch available
in 2 3/8" and 2 3/4".

DEADBOLT FACEPLATE

Latch bolt: Standard 2 1/4" x 1" packed with 1/8" plastic filler
to convert 1" face plate to 1 1/8" wide door preparations.
Gate latch: 2 1/4" x 1 1/8" face plate for both 2 3/8" and 2 3/4".

BORE DIAMETER

1" for latch, 2 1/8" or 1 1/2" for lock housing.

STRIKE

1 1/8" x 2 3/4" square corner. Extra security 1" throw bolt.
3" screws with wood frame reinforcer greatly strengthens door
frames.

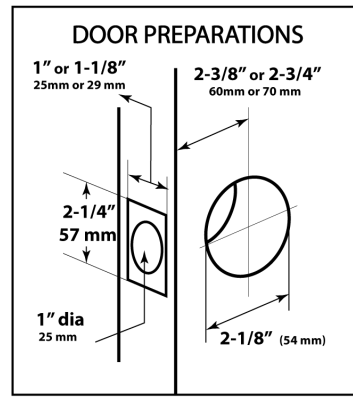
KEYWAYS

Optional 6-pin solid brass "C" or 5-pin Kwikset KW1 keyways
standard. Schlage E, Schlage C-K, Russwin D1-2-3-4,
Corbin 59 / 60, Corbin-Russwin L4, Sargent LA-LB-LC, Falcon /
Weiser E, Arrow A, Yale 8 and Yale GA. Can also accept Medeco,
Assa, Kaba and Cal-Royal (HSK) High Security Cylinders.

T400 SERIES FINISHES AND FUNCTIONS



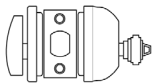
FINISHES AVAILABLE		
BHMA SYMBOL	US CODE	DESCRIPTION
605	US3	Polished Brass
606	US4	Satin Brass
609	US5	Antique Brass
612	US10	Satin Bronze
613	US10B	Oil Rubbed Bronze
619	US15	Satin Nickel
625	US26	Polished Chrome
626	US26D	Satin Chrome
---	VB	Venetian Bronze



LIFETIME WARRANTY

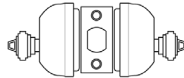
Refer to price list for stock finishes and functions

T460
ANSI E152



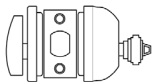
Heavy Duty Single Cylinder Deadbolt
(6 pin "C" Keyway Cylinder)
Deadbolt thrown or retracted by key from outside or by inside turn unit. Bolt automatically deadlocks when fully thrown.

T462
ANSI E0142



Heavy Duty Double Cylinder Deadbolt
(6 pin "C" Keyway Cylinder)
Deadbolt thrown or retracted by key from either side. Bolt automatically deadlocks when fully thrown.

KWT460
ANSI E0152



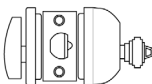
Heavy Duty Single Cylinder Deadbolt
(5 pin Kwikset KW1 Cylinder)
Deadbolt thrown or retracted by key from outside or by inside turn unit. Bolt automatically deadlocks when fully thrown.

KWT462
ANSI E0142



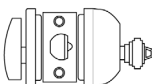
Heavy Duty Double Cylinder Deadbolt
(5 pin Kwikset KW1 Cylinder)
Deadbolt thrown or retracted by key from either side. Bolt automatically deadlocks when fully thrown.

GL460
ANSI E0152



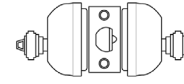
Heavy Duty Single Cylinder Gate Latch
(6 pin "C" Keyway Cylinder)
2 3/8" Backset
Gate Latch thrown or retracted by key from outside or by inside turn unit. Latch automatically deadlocks when fully thrown.

GL460 / 234
ANSI E0152



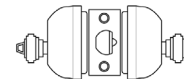
Heavy Duty Single Cylinder Gate Latch
(6 pin "C" Keyway Cylinder)
2 3/4" Backset
Gate Latch thrown or retracted by key from outside or by inside turn unit. Latch automatically deadlocks when fully thrown.

GL462
ANSI E0142



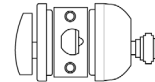
Heavy Duty Double Cylinder Gate Latch
(6 pin "C" Keyway Cylinder)
2 3/8" Backset
Gate Latch thrown or retracted by key from either side. Latch automatically deadlocks when fully thrown.

GL462 / 234
ANSI E0142



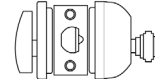
Heavy Duty Double Cylinder Gate Latch
(6 pin "C" Keyway Cylinder)
2 3/4" Backset
Gate Latch thrown or retracted by key from either side. Latch automatically deadlocks when fully thrown.

GLKW460
ANSI E0152



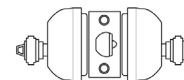
Heavy Duty Single Cylinder Gate Latch
(5 pin Kwikset KW1 Cylinder)
2 3/8" Backset
Gate Latch thrown or retracted by key from outside or by inside turn unit. Latch automatically deadlocks when fully thrown.

GLKW460 / 234
ANSI E0152



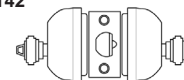
Heavy Duty Single Cylinder Gate Latch
(5 pin Kwikset KW1 Cylinder)
2 3/4" Backset
Gate Latch thrown or retracted by key from outside or by inside turn unit. Latch automatically deadlocks when fully thrown.

GLKW462
ANSI E0142

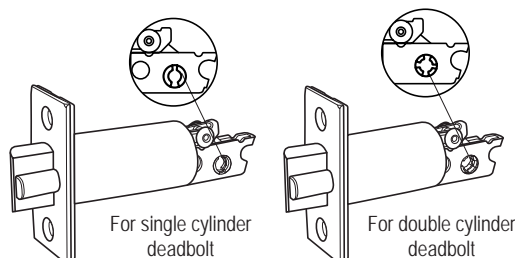


Heavy Duty Double Cylinder Gate Latch
(5 pin Kwikset KW1 Cylinder)
2 3/8" Backset
Gate Latch thrown or retracted by key from either side. Latch automatically deadlocks when fully thrown.

GLKW462 / 234
ANSI E0142



Heavy Duty Double Cylinder Gate Latch
(5 pin Kwikset KW1 Cylinder)
2 3/4" Backset
Gate Latch thrown or retracted by key from either side. Latch automatically deadlocks when fully thrown.



ADDITIONAL PARTS	
SINGL238	2 3/8" backset gate latch (1 1/8" x 2 1/4") for single cylinder deadbolt
SINGL234	2 3/4" backset gate latch (1 1/8" x 2 1/4") for single cylinder deadbolt
GL238	2 3/8" backset gate latch (1 1/8" x 2 1/4") for double cylinder deadbolt
GL234	2 3/4" backset gate latch (1 1/8" x 2 1/4") for double cylinder deadbolt

OTHER FUNCTIONS NOT LISTED ARE AVAILABLE UPON REQUEST

CB160 STANDARD DUTY DEADBOLTS
GL160 STANDARD DUTY GATE LATCHES
FOR STANDARD COMMERCIAL AND RESIDENTIAL APPLICATIONS

LIFETIME WARRANTY

Conforms with ANSI A156.5
Series 4000, Grade 2
Exceeds 20,000 cycles

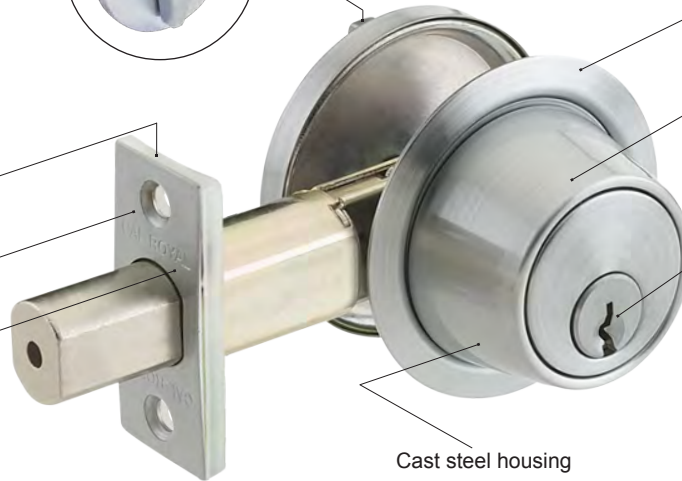
Latch front adapter to
convert 1" face plate
to 1 1/8" wide door
preparations

Latch bolt adjustable
2 3/8" - 2 3/4"

Sturdy, all steel latch
case and mechanism



ADA Ergonomic thumb turn

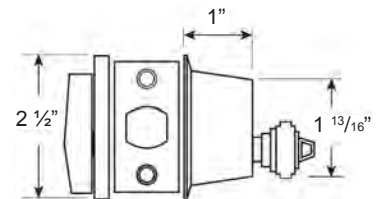


2 5/8" diameter Adapter Ring for
2 1/8" door preparations

2" diameter tapered
cylinder guard and metal
insert, turns free with any
removal attempt

Removable Solid Brass
Standard "C" 6-pin
cylinder

CB160
SINGLE CYLINDER



Cast steel housing

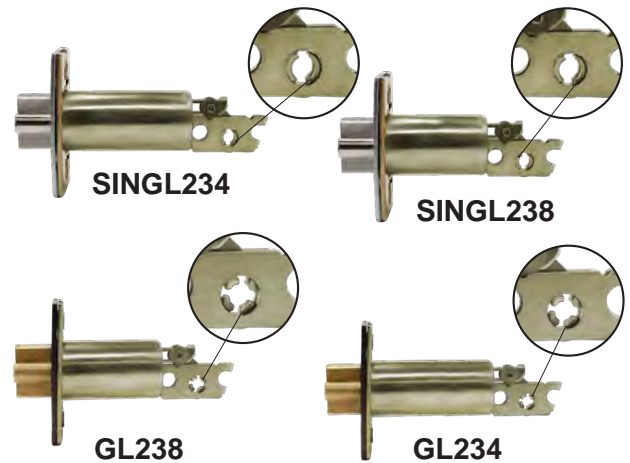
GL162 GATE LATCH
DOUBLE CYLINDER



GL160 GATE LATCH
SINGLE CYLINDER



SINGL238 - 2 3/8" backset gate latch and for single cylinder deadbolt
SINGL234 - 2 3/4" backset gate latch and for single cylinder deadbolt
GL238 - 2 3/8" backset gate latch and for double cylinder deadbolt
GL234 - 2 3/4" backset gate latch and for double cylinder deadbolt



SINGL234

SINGL238

GL238

GL234

SPECIFICATIONS

TRIM

Wrought Brass or Stainless Steel.

DOOR RANGES

Adjustable 1 3/8" (35mm) to 1 3/4" (45mm) door thickness.

BACKSET

Adjustable 2 3/8" or 2 3/4".

DEADBOLT FACEPLATE

Latch bolt: Standard 2 1/4" x 1" packed with 1/8" plastic filler to convert 1" face plate to 1 1/8" wide door preparations.

BORE DIAMETER

1" for latch, 1 1/2" or 2 1/8" for lock housing.

STRIKE

1 1/8" x 2 3/4" square corner.

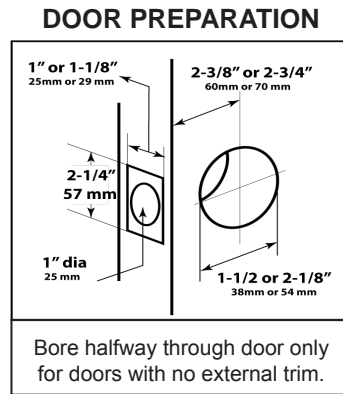
KEYWAYS

Standard 6-pin solid brass "C" keyway. Optional Schlage C-K composite with "E" keys, Schlage "E", Russwin D1-2-3-4, Corbin 59 / 60, Corbin-Russwin L4, Sargent LA-LB-LC, Falcon / Weiser E, Kwikset, Arrow A, Yale GA and Yale 8.

CB160 SERIES FINISHES AND FUNCTIONS

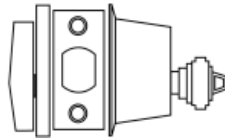
FINISHES AVAILABLE		
BHMA SYMBOL	US CODE	DESCRIPTION
605	US3	Polished Brass
606	US4	Satin Brass
609	US5	Antique Brass
612	US10	Satin Bronze
613	US10B	Oil Rubbed Bronze
619	US15	Satin Nickel
625	US26	Polished Chrome
626	US26D	Satin Chrome

Refer to price list for stock finishes and functions



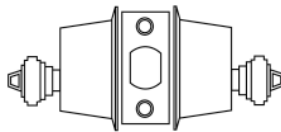
LIFETIME WARRANTY

CB160
ANSI E0152



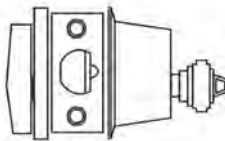
Standard Duty Single Cylinder Deadbolt
Deadbolt thrown or retracted by key from outside or by inside turn unit. Bolt automatically deadlocks when fully thrown.

CB162
ANSI E0142



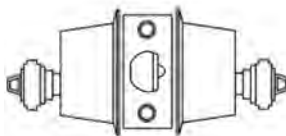
Standard Duty Double Cylinder Deadbolt
Deadbolt thrown or retracted by key from either side. Bolt automatically deadlocks when fully thrown.

GL160
ANSI E0152



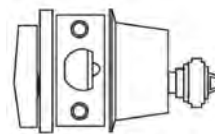
Single Cylinder Gate Latch (2 3/8" backset)
Dead locking latch bolt retracted by key from outside and thumb turn on inside. Otherwise always locked.

GL162
ANSI E0142



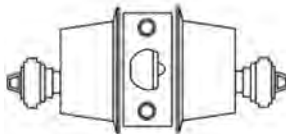
Double Cylinder Gate Latch (2 3/8" backset)
Dead locking latch bolt retracted by key from either side. Otherwise always locked.

GL160 / 234
ANSI E0152

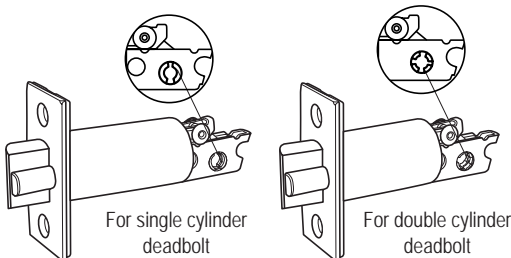


Single Cylinder Gate Latch (2 3/4" backset)
Dead locking latch bolt retracted by key from outside and thumb turn on inside. Otherwise always locked.

GL162234
ANSI E0142



Double Cylinder Gate Latch (2 3/4" backset)
Dead locking latch bolt retracted by key from either side. Otherwise always locked.



ADDITIONAL PARTS	
SINGL238	2 3/8" backset gate latch (1 1/8" x 2 1/4") for single cylinder deadbolt
SINGL234	2 3/4" backset gate latch (1 1/8" x 2 1/4") for single cylinder deadbolt
GL238	2 3/8" backset gate latch (1 1/8" x 2 1/4") for double cylinder deadbolt
GL234	2 3/4" backset gate latch (1 1/8" x 2 1/4") for double cylinder deadbolt

OTHER FUNCTIONS NOT LISTED ARE AVAILABLE UPON REQUEST
HOLD BACK FEATURE ON DEADBOLT WITH GATE LATCH NOT AVAILABLE

LEVERSET / DEADBOLT COMBO PACK

6-PIN "C" KEYWAY CYLINDER, KEYED ALIKE

PIONEER SL / T220 (SL00 / T220)

**SL SERIES (NON CLUTCH MECHANISM), OPTIONAL THRU BOLT
INSTALLATION FOR COMMERCIAL AND RESIDENTIAL APPLICATIONS**

MEETS
The Buy American Act



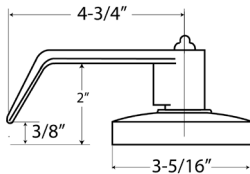
**PACKAGED TOGETHER
IN THE SAME BOX**

Concealed screw mounting

UL LISTED 3 HOUR RATED
1/2" Throw deadlatch completely reversible for flat & beveled doors

Individual spring on each side to prevent lever sag, maintain reliability and reduce maintenance

Full length lever handle with 3/8" return



SL DESIGN

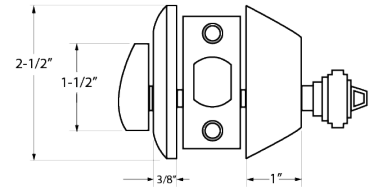


Sturdy, all steel latch case and mechanism

2 1/2" diameter tapered cylinder guard and metal insert, turns free with any removal attempt

Cast iron solid housing

Solid brass 6 pin "C" keyway cylinder; Keyed alike



T220 DEADBOLT

SPECIFICATIONS

PIONEER SL

DOOR RANGES

1 3/8" to 1 3/4" thickness doors

BACKSET

2 3/4" Standard, 2 3/8" Optional

LATCH BOLT

1/2" Throw solid brass, reversible for RH or LH applications. UL Listed

LATCH FACEPLATE

2 1/4" x 1 1/8", adjustable for flat or beveled doors 1/8" in 2", for 2 3/4" backset. Optional 2 1/4" x 1" for 2 3/8" backset

STRIKES

ASA strike standard, "T" and full lip strike available on request

EXPOSED TRIM

Wrought brass, bronze or stainless steel, levers are Zinc casting, plated to match trim finish

ANSI STANDARDS

Meets or exceeds requirements of BHMA / ANSI A156.2 Series 4000, Grade 2 (FF-H 106C), 400,000 cycles

T220

DOOR RANGES

1 3/8" to 1 3/4" thickness doors

BACKSET

Adjustable 2 3/8" or 2 3/4"

DEADBOLT FACEPLATE

Latch bolt: Standard 2 1/4" x 1" packed with 1/8" plastic filler to convert 1" face plate to 1 1/8" wide door preparations

TRIM

Wrought Brass or Stainless Steel

BORE DIAMETER

1" for latch, 1 1/2" or 2 1/8" for lock housing

STRIKE

1 1/8" x 2 3/4" Square Corner

KNOBSET / DEADBOLT COMBO PACK

6-PIN "C" KEYWAY CYLINDER, KEYED ALIKE

BARRINGTON / T220 (BA00 / T220)

**QUALITY DESIGNED AND ENGINEERED FOR
COMMERCIAL AND RESIDENTIAL APPLICATIONS**

MEETS
The Buy American Act



**LIFETIME
WARRANTY**

For Barrington Series

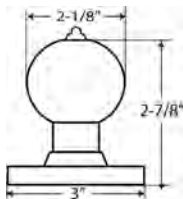
**PACKAGED TOGETHER
IN THE SAME BOX**

Outside rose, threaded 3" diameter large rose adjustable for various door thickness

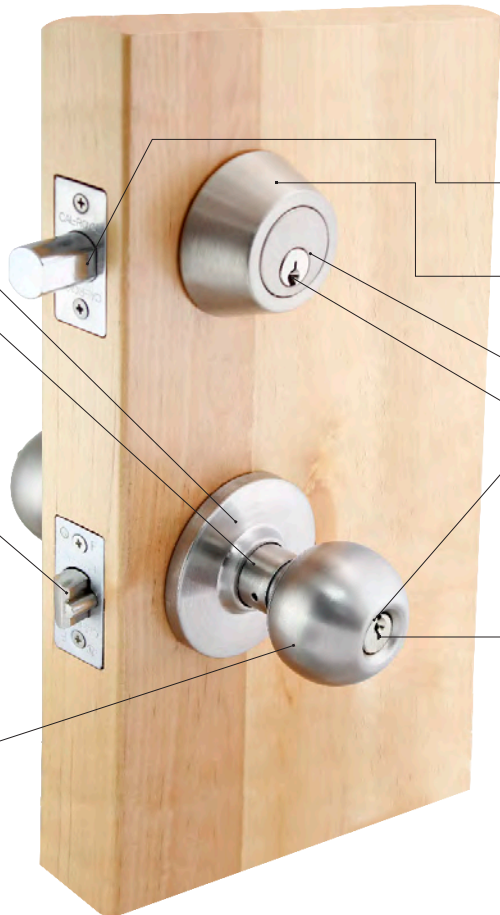
Long spindle hub eliminates hub wobble

Deadlatch affords a high degree of security. Standard with solid, rustless, pressure cast. #300 series anti-magnetic stainless steel or brass latch bolt available with UL listed latch bolt for 3 hour rated door 4' x 8' or non-UL latch bolt

Cylinder knob demountable for quick re-keying and replacement: reversible for either left or right hand door swinging in or out



BA DESIGN



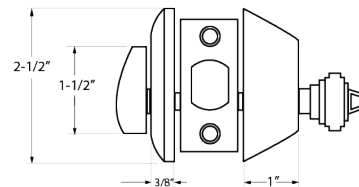
Sturdy, all steel latch case and mechanism

2 1/2" diameter tapered cylinder guard and metal insert, turns free with any removal attempt

Cast iron solid housing

Solid brass 6 pin "C" keyway cylinder; Keyed alike

Cylinder precision solid brass. Pick resistant 6-pin tumbler. Must turn key one-quarter to remove and replace cylinder. Can be construction keyed and master keyed as required



T220 DEADBOLT

SPECIFICATIONS

BARRINGTON

DOOR RANGES

1 3/8" to 1 3/4" thickness doors

BACKSET

2 3/4" Standard, 2 5/8" Optional

LATCH FACEPLATE

2 1/4" x 1 1/8" for 2 3/4" backset, 2 1/4" x 1" for 2 5/8" backset

STRIKES

ANSI strike standard, 4 7/8" x 1 1/4". Optional "T" and full lip strike available on request

EXPOSED TRIM

Wrought Brass, Bronze or Stainless Steel

BORE DIAMETER

1" for latch. 2 1/8" for lock housing

ANSI STANDARDS

Meets or exceeds requirements of BHMA / ANSI A156.2 Series 4000 for Grade 2 (FF-H-106C)

T220

DOOR RANGES

1 3/8" to 1 3/4" thickness doors

BACKSET

Adjustable 2 3/8" or 2 1/2"

DEADBOLT FACEPLATE

Latch bolt: Standard 2 1/4" x 1" packed with 1/8" plastic filler to convert 1" face plate to 1 1/8" wide door preparations

TRIM

Wrought Brass or Stainless Steel

BORE DIAMETER

1" for latch, 1 1/2" or 2 1/8" for lock housing

STRIKE

1 1/8" x 2 3/4" Square Corner

COLUMBUS

QUALITY DESIGNED AND ENGINEERED FOR
LIGHT COMMERCIAL AND RESIDENTIAL APPLICATIONS

**LIFETIME
WARRANTY**

Conforms with ANSI A 156.2
Series 4000, Grade 3
Exceeds 200,000 cycles

Internal mechanism heavy gauge cold rolled steel. All parts are zinc plated and dichromated to assure protection from rust or corrosion. Special lubricant applied for smoother operation.

Threaded inside rose conceals mounting plate and screws

Button push in and turn button function

Knobs cannot slip or pull off. Both kept in position by positive spring catch

Adjustable 2 3/8" - 2 3/4" backset

Latch faceplate standard 2 1/4" x 1"

Deadlatch affords a high degree of security. Standard with solid, rustless, pressure cast. #300 series anti-magnetic stainless steel or brass latch bolt

Guard bolt deadlocks latch bolt automatically

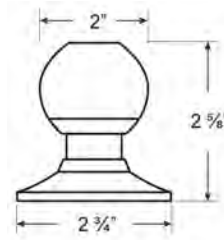
Latch case sturdy all steel mechanism

Cylindrical housing 2 1/8" diameter provides great strength and durability

Outside rose threaded 2 3/4" diameter large rose adjustable for various door thickness

Cylinder knob demountable for quick re-keying and replacement; reversible for either right or left-hand doors swinging in or out

Solid Brass 5-pin "C" keyway. Can be construction keyed and master keyed as required



7500 SERIES

SPECIFICATIONS

DOOR RANGES

Adjustable for 1 3/8" to 1 3/4" door thickness.

BACKSET

Standard 2 3/8" and 2 3/4" adjustable.

LATCH FACEPLATE

2 1/4" x 1" standard.

STRIKES

T strike standard. Optional ANSI or full lip strike available.

KEYING: 5-pin "C" keyway cylinder, 2 keys per lock.

BORE DIAMETER: 1" for latch. 2 1/8" for lock housing.

ADDITIONAL KEYWAYS

6 pin solid brass "C" keyway standard. Schlage E, Schlage C-K, Russwin D1-2-3-4, Corbin 59 / 60, Corbin-Russwin L4, Sargent LA-LB-LC, Falcon / Weiser E, Arrow A, Yale 8, Yale GA and Kwikset. Can also accept Medeco, Assa, Kaba and Cal-Royal (HSK) High Security Cylinders.

EXPOSED TRIM

Wrought brass, bronze or stainless steel.

ANSI STANDARDS

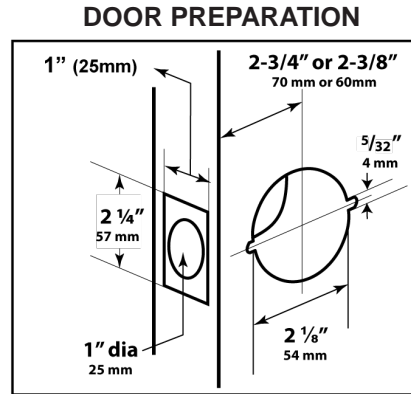
Meets or exceeds requirements of BHMA / ANSI A156.2 Series 4000 for Grade 3 (FF-H-106C).

COLUMBUS SERIES FINISHES AND FUNCTIONS



FINISHES AVAILABLE		
BHMA SYMBOL	US CODE	DESCRIPTION
605	US3	Polished Brass
606	US4	Satin Brass
609	US5	Antique Brass
612	US10	Satin Bronze
613	US10B	Oil Rubbed Bronze
619	US15	Satin Nickel
625	US26	Polished Chrome
626	US26D	Satin Chrome
630	US32D	Satin Stainless Steel

Refer to price list for stock finishes and functions



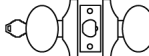
LIFETIME WARRANTY

7500
ANSI F109
FED #161A / 160A



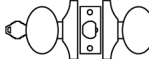
ENTRANCE / OFFICE LOCK
Turn / Push button locking. Pushing and turning button locks outside knob requiring use of key until button is manually unlocked. Pushing button locks outside knob until unlocked with key or inside knob is turned.

7503
ANSI F84



CLASSROOM
Deadlocking latch bolt operated by knob from either side except when outside knob is locked from outside by key. When outside knob is locked, latch bolt is operated by turning inside knob.

7505
ANSI F86



STOREROOM
Deadlocking latch bolt operated by key in outside knob or by rotating inside knob. Outside knob is always fixed.

7520
ANSI F76
FED # 161L / 160L



PRIVACY LOCK
Latch bolt operated by knob from either side. Outside knob is locked by push button inside and unlocked by emergency release outside. Turning inside knob or closing door releases push button.

7530
ANSI F75
FED # 161N / 160N



PASSAGE SET
Latch bolt operated by knob from either side at all times.


7540

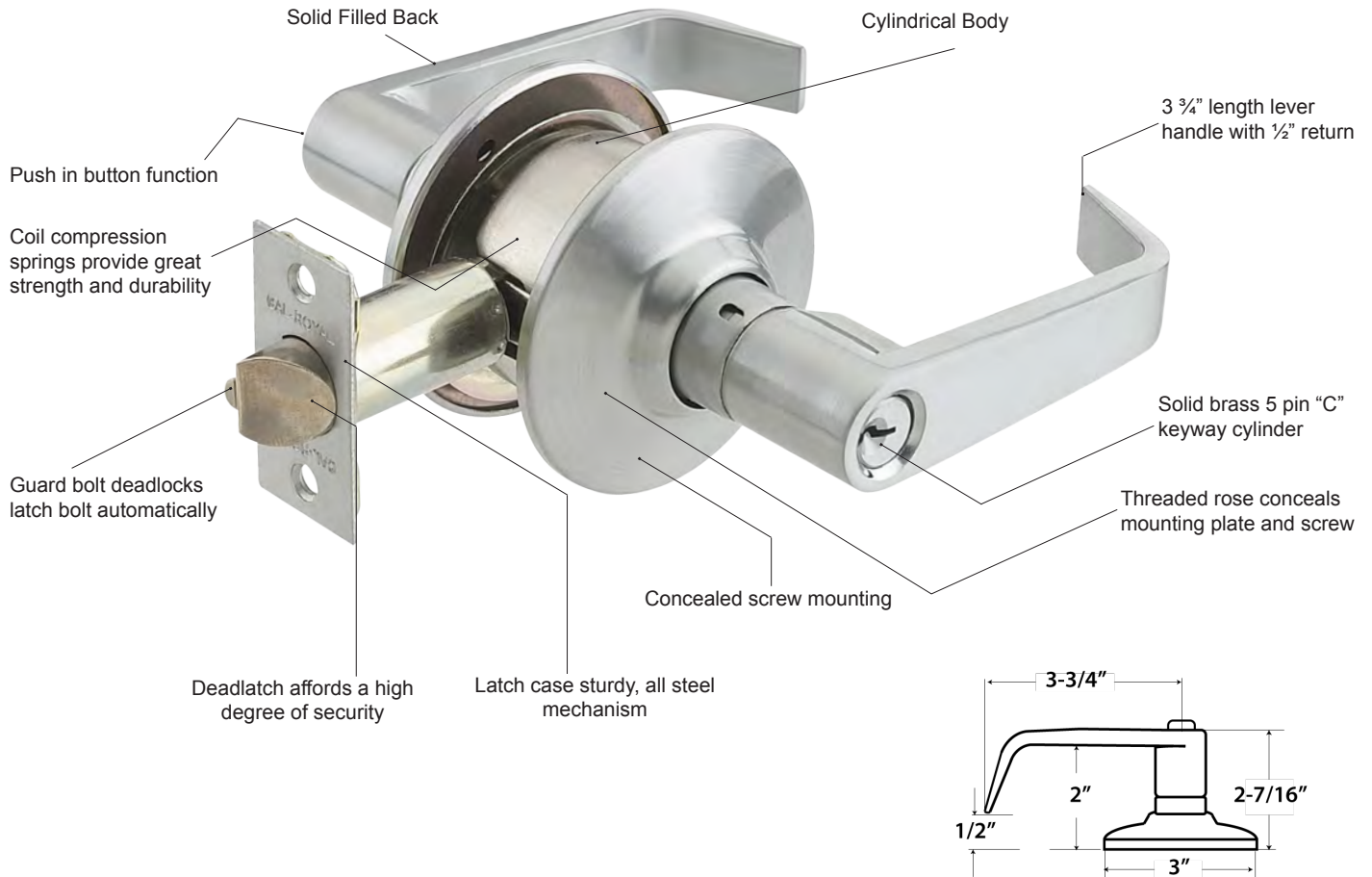


DUMMY LEVER
Single dummy trim for one side of door. Pull only.

OTHER FUNCTIONS NOT LISTED ARE AVAILABLE UPON REQUEST

EPIC
FOR LIGHT COMMERCIAL AND RESIDENTIAL APPLICATIONS
CYLINDRICAL LEVERSET
MEETS ANSI STANDARD A156.2, GRADE 3

 Meets ADA requirements
Specially designed for
Barrier Free Application
Conforms with ANSI A156.2
Series 4000, Grade 3
Exceeds 200,000 cycles



SPECIFICATIONS

APPLICATIONS

For residential or light commercial applications.

DOOR RANGES

1 3/8" to 2" thickness doors.

BACKSET

2 3/8" or 2 3/4" backset.

LATCH BOLT

Diecast Zinc, Brass, Chrome or Brass plated 7/16"
(11mm) Throw Latch Bolt.

LATCH FACEPLATE

2 1/4" x 1 1/8" for 2 3/4" backset. 2 1/4" x 1" for 2 3/8" backset.

EXPOSED TRIM

Wrought brass, bronze or stainless steel, levers are zinc casting, plated to match trim finish.

STRIKES

Optional "T", full lip or ASA strike.

ANSI STANDARDS

Meets or exceeds requirements of BHMA/ANSI A156.2 Series 4000, Grade 3.

CYLINDER & KEYWAYS

5 pin solid brass Schlage "C" keyway standard.

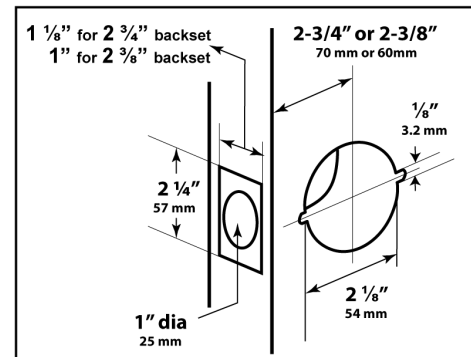
LATCH & STRIKE SCREWS

8-32 x 1" FPH Dual Purpose.

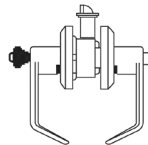
FINISHES AVAILABLE		
BHMA SYMBOL	US CODE	DESCRIPTION
605	US3	Polished Brass
606	US4	Satin Brass
609	US5	Antique Brass
612	US10	Satin Bronze
613	US10B	Oil Rubbed Bronze
619	US15	Satin Nickel
625	US26	Polished Chrome
626	US26D	Satin Chrome

Refer to price list for stock finishes and functions

DOOR PREPARATION



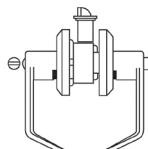
800 ANSI: F82



ENTRANCE / OFFICE LOCK

Turn / Push button locking. Pushing and turning button locks outside lever requiring use of key until button is manually unlocked. Pushing button locks outside lever until unlocked with key or inside lever is turned.

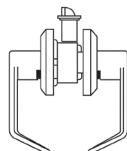
802 ANSI: F76



PRIVACY LOCK

Latch bolt operated by lever from either side. Outside lever is locked by push button inside and unlocked by emergency release outside. Turning inside lever or closing door releases push button.

803 ANSI: F75



PASSAGE SET

Latch bolt operated by lever from either side at all times.

805



DUMMY LEVER

Single dummy trim for one side of door. Pull only.

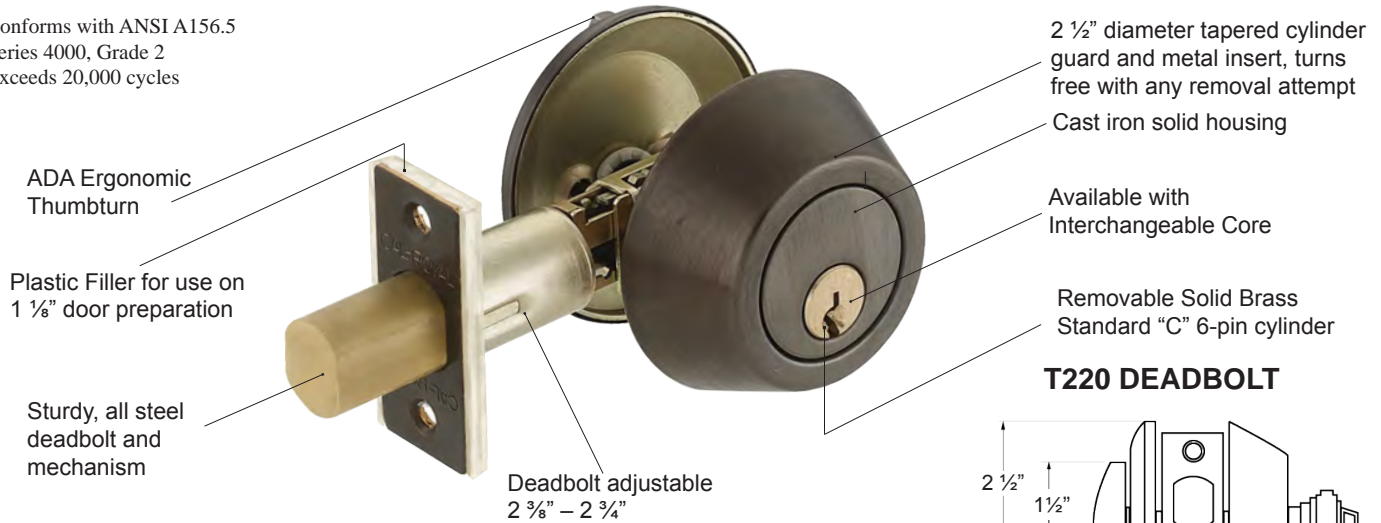
OTHER FUNCTIONS NOT LISTED ARE AVAILABLE UPON REQUEST

- Available with Interchangeable Core for Best, Falcon & Arrow
- Available with Interchangeable Core for Schlage Full Size Format OEM Cylinders

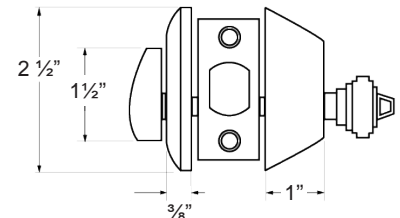
**T220 STANDARD DUTY DEADBOLTS
GL220 STANDARD DUTY GATE LATCHES
FOR LIGHT COMMERCIAL AND RESIDENTIAL APPLICATIONS**

MEETS
The Buy American Act

Conforms with ANSI A156.5
Series 4000, Grade 2
Exceeds 20,000 cycles



T220 DEADBOLT

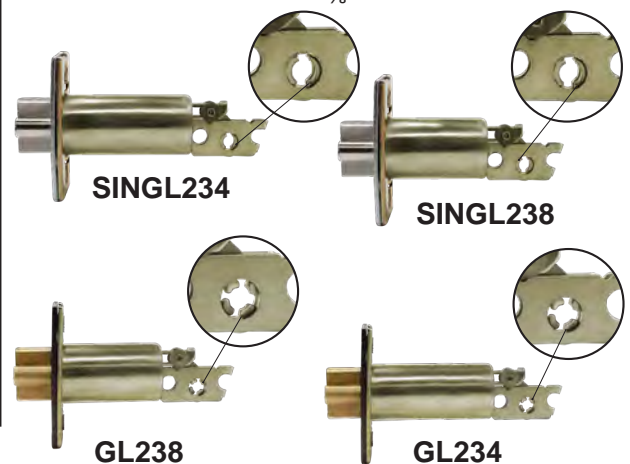


**GL330 GATE LATCH
DOUBLE CYLINDER**

**GL220 GATE LATCH
SINGLE CYLINDER**



- SINGL238** - 2 3/8" backset gate latch and for single cylinder deadbolt
- SINGL234** - 2 3/4" backset gate latch and for single cylinder deadbolt
- GL238** - 2 3/8" backset gate latch and for double cylinder deadbolt
- GL234** - 2 3/4" backset gate latch and for double cylinder deadbolt



SPECIFICATIONS

TRIM

Wrought Brass or Stainless Steel.

DOOR RANGES

Adjustable 1 3/8" (35mm) to 1 3/4" (45mm) door thickness.

BACKSET

Adjustable 2 3/8" or 2 3/4" for T220 and T330.
For GL220 and GL330 specify backset.

DEADBOLT FACEPLATE

Latch bolt: Standard 2 1/4" x 1" packed with 1/8" plastic filler to convert 1" face plate to 1 1/8" wide door preparations.

BORE DIAMETER

1" for latch, 1 1/2" or 2 1/8" for lock housing.

STRIKE

1 1/8" X 2 3/4" square corner.

● **INTERCHANGEABLE CORE**

Interchangeable Core locks will accept compatible 6 or 7 pin cores with BEST, FALCON and ARROW.

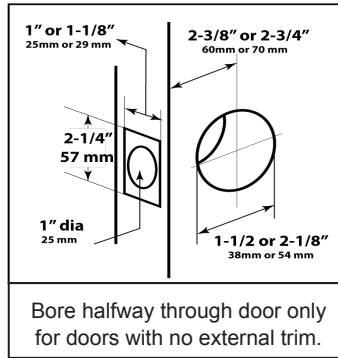
● Interchangeable Core locks will also accept SCHLAGE full size format OEM interchangeable core cylinders and compatible Schlage 6-pin Interchangeable Core. Interchangeable Core offered by Cal-Royal Products, Inc.

T220 / GL220 SERIES FINISHES AND FUNCTIONS



FINISHES AVAILABLE		
BHMA SYMBOL	US CODE	DESCRIPTION
605	US3	Polished Brass
606	US4	Satin Brass
609	US5	Antique Brass
612	US10	Satin Bronze
613	US10BE	Dark Oxidized Satin Bronze, Equivalent
619	US15	Satin Nickel
625	US26	Polished Chrome
626	US26D	Satin Chrome

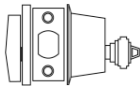
DOOR PREPARATION



MEETS
The Buy American Act

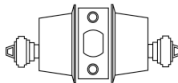
Refer to price list for stock finishes and functions

T220
● **ICT220**
● **SCICT220**
ANSI E0153



Single Cylinder Deadbolt
Dead locking latch bolt retracted by key from outside or by thumb turn on inside. Adjustable 2 3/8" or 2 3/4" backset.

T330
● **ICT330**
● **SCICT330**
ANSI E0143



Double Cylinder Deadbolt
Dead locking deadbolt retracted by key from either side. Adjustable 2 3/8" or 2 3/4" backset.

ID58



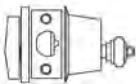
One Sided Deadbolt
Deadbolt thrown or retracted by turn unit only. No outside trim. Bore halfway through door for installation visible from one side of door only.

ID60



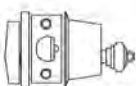
One Sided Deadbolt
Deadbolt thrown or retracted by turn unit only. Blank plate is on external trim to be used on bore holes 1 5/8" and 2 1/8" wide.

GL220
● **ICGL220**
ANSI E0153



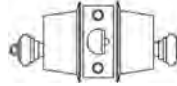
Single Cylinder Gate Latch
Dead locking latch bolt retracted by key from outside or by thumb turn on inside. Otherwise always locked (2 3/8" backset)

GL220234
● **ICGL220234**
ANSI E0142



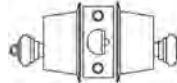
Single Cylinder Gate Latch
Dead locking latch bolt retracted by key from outside or by thumb turn on inside. Otherwise always locked (2 3/4" backset)

GL330
● **ICGL330**
ANSI E0143



Double Cylinder Gate Latch
Dead locking latch bolt retracted by key from either side. Otherwise, always locked. (2 3/8" backset)

GL330234
● **ICGL330234**
ANSI E0142



Double Cylinder Gate Latch
Dead locking latch bolt retracted by key from either side. Otherwise, always locked. (2 3/4" backset)

GL58



One Sided Latch Bolt
Dead latch retracted by thumb turn, no outside trim. Visible from one side of door only. Otherwise always locked.

GL60



One Sided Latch Bolt
Dead latch retracted by thumb turn unit. Blank plate on external trim to be used on bore holes 1 5/8" and 2 1/8" diameter. Otherwise, always locked.

GL58234

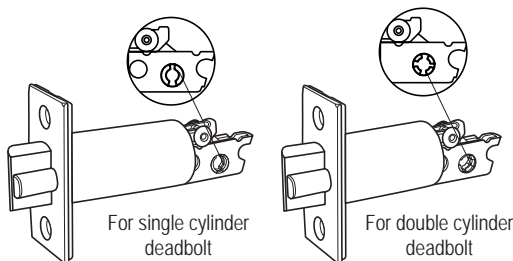


One Sided Latch Bolt
Dead latch retracted by thumb turn, no outside trim. Visible from one side of door only. Otherwise always locked.

GL60234



One Sided Latch Bolt
Dead latch retracted by turn unit. Blank plate on external trim to be used on bore holes 1 5/8" and 2 1/8" diameter. Otherwise, always locked.



ADDITIONAL PARTS

SINGL238	2 3/8" backset gate latch (1 1/8" x 2 1/4") for single cylinder deadbolt
SINGL234	2 3/4" backset gate latch (1 1/8" x 2 1/4") for single cylinder deadbolt
GL238	2 3/8" backset gate latch (1 1/8" x 2 1/4") for double cylinder deadbolt
GL234	2 3/4" backset gate latch (1 1/8" x 2 1/4") for double cylinder deadbolt

● "IC" Indicates function available with BEST, FALCON & ARROW Interchangeable Core.

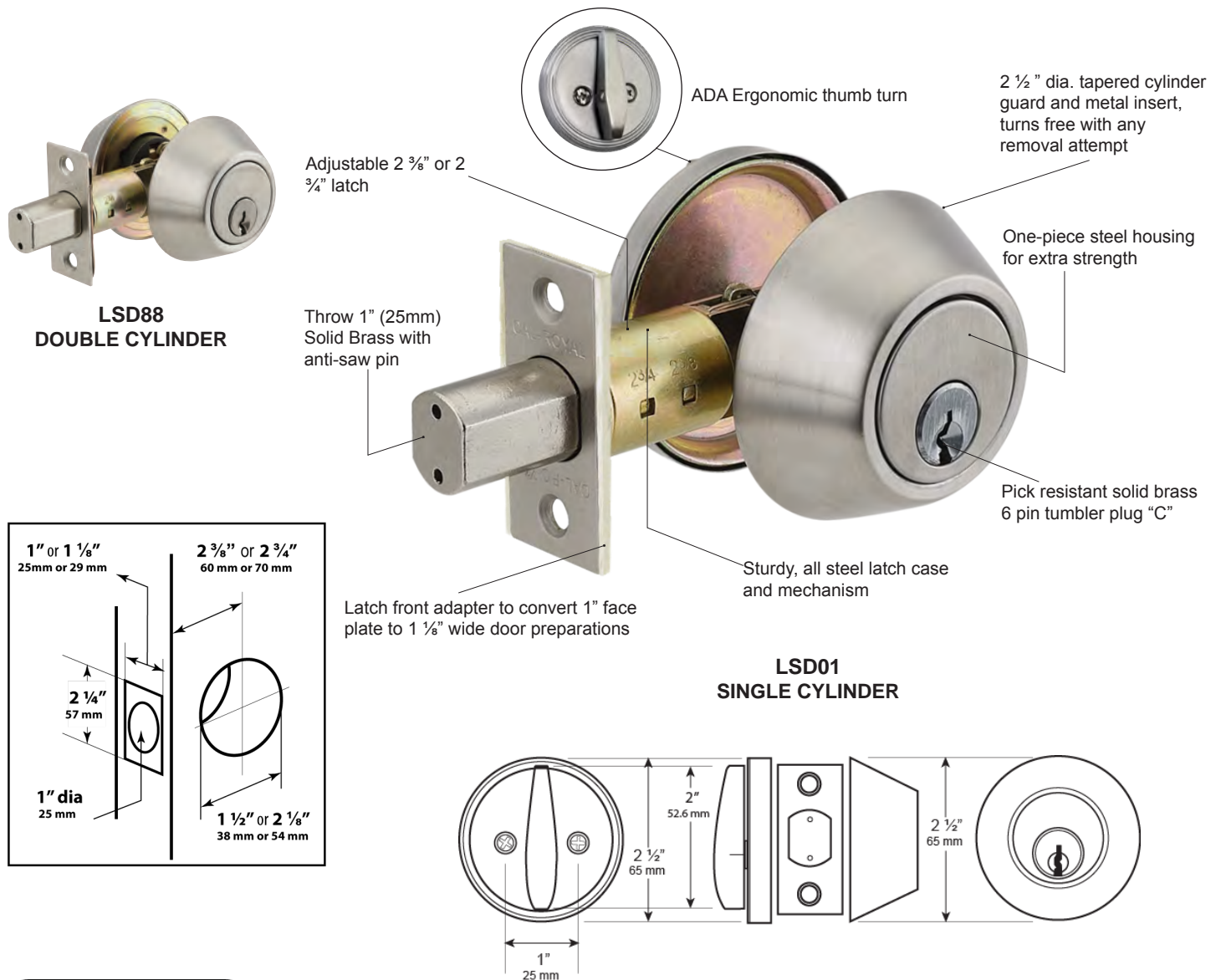
● "SCIC" Indicates function available with SCHLAGE full size format Interchangeable Core.

OTHER FUNCTIONS NOT LISTED ARE AVAILABLE UPON REQUEST

HOLD BACK FEATURE ON DEADBOLT WITH GATE LATCH NOT AVAILABLE

LSD STANDARD DUTY DEADBOLTS
FOR LIGHT COMMERCIAL AND RESIDENTIAL APPLICATIONS

Conforms with ANSI A156.5
Series 4000, Grade 3
Exceeds 10,000 cycles



SPECIFICATIONS

TRIM

Wrought Brass or Stainless Steel.

BACKSET

Adjustable 2 3/8" or 2 3/4".

DEADBOLT FACEPLATE

Standard 2 1/4" x 1". Packed with 1/8" plastic filler to convert 1" face plate to 1 1/8" wide door preparations.

DOOR RANGES

Adjustable 1 3/8" (35mm) to 1 3/4" (45mm) door thickness.

BORE DIAMETER

1" for latch, 1 1/2" or 2 1/8" for lock housing.

KEYWAYS

6 pin solid brass "C" keyway standard. Optional Schlage E, Schlage C-K, Russwin D1-2-3-4, Corbin 59 / 60, Corbin-Russwin L4, Sargent LA-LB-LC, Falcon / Weiser E, Arrow A, Yale 8, Yale GA and Kwikset. Can also accept Medeco, Assa, Kaba and Cal-Royal (HSK) High Security Cylinders.

STRIKE

1 1/8" x 2 3/4" square corner.

FINISHES

LSD SERIES is available in stock in US32D, 26, 26D, 10B, US3 and US15 finishes. Refer to price list for other stock finishes and functions.

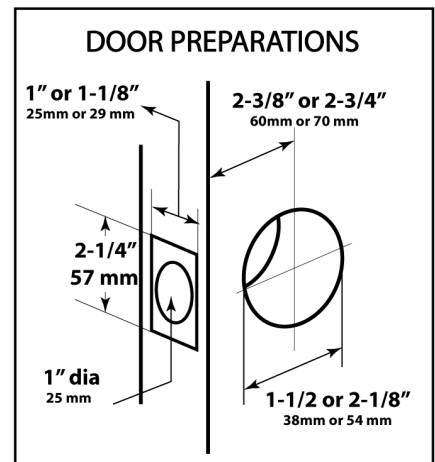
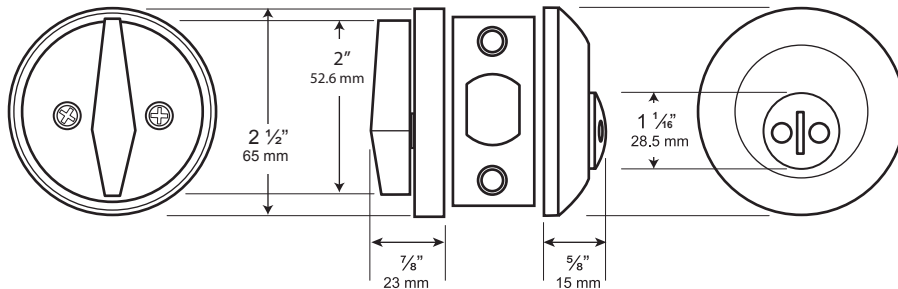
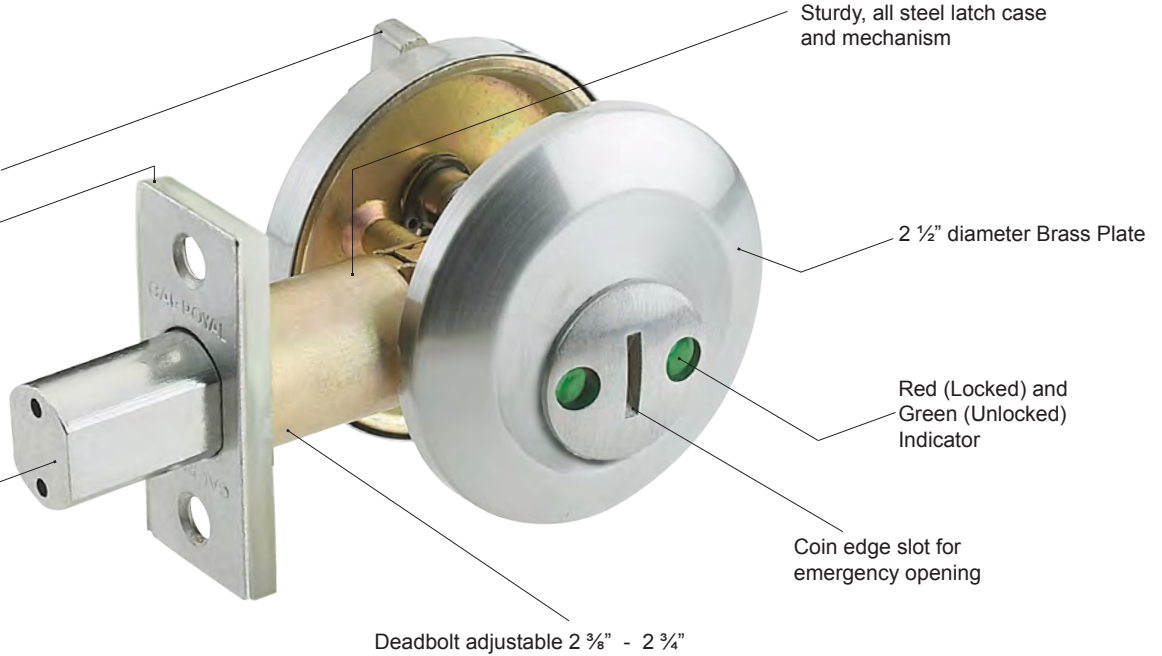
IND84 INDICATOR DEADBOLTS FOR COMMERCIAL AND RESIDENTIAL APPLICATIONS

Conforms with ANSI A156.5
Series 4000, Grade 3
Exceeds 10,000 cycles

ADA Ergonomic thumb turn

Latch front adapter to
convert 1" face plate to 1 1/8"
wide door preparations

Throw 1" (25mm)
Solid Brass with
anti-saw pin



SPECIFICATIONS

TRIM

Wrought Brass or Stainless Steel.

DOOR RANGES

Adjustable 1 3/8" (35mm) to 1 3/4" (45mm) door thickness.

BACKSET

Adjustable 2 3/8" or 2 3/4".

DEADBOLT FACEPLATE

Standard 2 1/4" x 1" packed with 1/8" plastic filler to convert 1" face plate to 1 1/8" wide door preparations.

BORE DIAMETER

1" for latch, 1 1/2" or 2 1/8" for lock housing.

STRIKE

1 1/8" x 2 3/4" square corner.

FINISHES

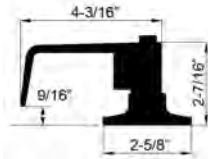
IND84 is available in stock in US26D, 3, 4 and 10B finishes. Refer to price list for other stock finishes and functions.

LEGACY SERIES LEVERSETS WITH PUSH BUTTON LOCKING MECHANISM

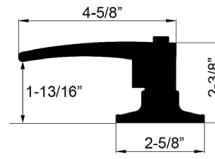
MEETS
The Buy American Act



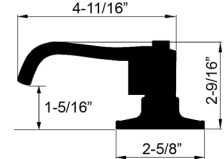
CABERNET "CAB" SERIES



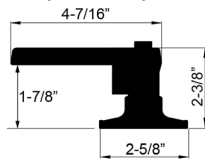
ZULATTI "ZUL" SERIES



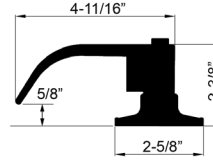
DUCATI "DUC" SERIES



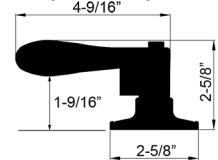
**VIARGENTO "VIA" SERIES
(HANDED)**



DENMARK "DEN" SERIES



**NAPA "NAP" SERIES
(HANDED)**



FEATURES & SPECIFICATIONS

- ◆ Meets ADA requirements. Specially designed for Barrier Free Applications
- ◆ Keyed entry with lever / lever for exterior & interior
- ◆ Kwikset keyway. Re-keyable for master and construction keying
- ◆ Weiser and Schlage "C" keyway available
- ◆ Brass and stainless steel trims. Levers are plated
- ◆ **Handed, Reversible levers for Napa & Viargento Series Only**
- ◆ **Screw Guiding Posts for easy screw alignment and tightening making installation fast and easy**
- ◆ **Push button release on entrance & privacy from inside by turning lever**
- ◆ **2 3/8" or 2 3/4" 4-way adjustable backset, size 1" x 2 1/4" round corner standard, convertible to drive in latch.**
Square corner face plate and 5" round corner backsets optional
- ◆ Optional 3 Hour Fire Rated UL Listed Latch
- ◆ ANSI Standard A156.2 Grade 3
- ◆ Fits 1 3/8" to 1 3/4" wood or metal doors
- ◆ Round corner full lip strike is standard

FUNCTIONS

- 00 - Entry (Push Button)
- 20 - Privacy (Bed & Bath, Push Button)
- 30 - Passage (Hall & Closet)
- 40 - Dummy
- 05 - Storeroom (Vestibule)

FINISHES

- ◆ US15 - Satin Nickel
- ◆ US11P - Venetian Bronze
- ◆ US3 - Polished Brass
- ◆ US5 - Antique Brass
- ◆ US26D - Satin Chrome
- ◆ US26 - Polished Chrome
- ◆ US15A - Antique Nickel
- ◆ **Refer to price list for stock finishes**
- ◆ Other finishes available upon request based on quantity with factory lead time

SPECIAL FEATURES



CLIPPER SERIES DEADBOLTS

TO BE USED WITH LEGACY SERIES LEVERSETS

MEETS
The Buy American Act

OPTIONAL
UL
3 HOUR FIRE RATED

ADA



CLP500
SINGLE CYLINDER DEADBOLT



CLP400
DOUBLE CYLINDER DEADBOLT



CLP801
ONE-SIDED DEADBOLT WITH PLATE



CLP701
ONE-SIDED DEADBOLT

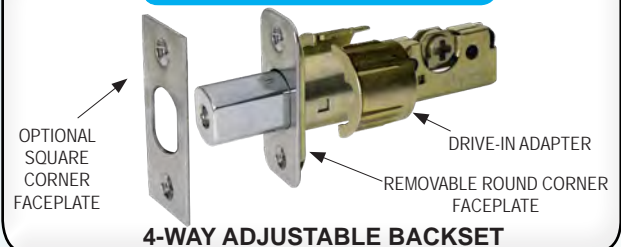
FEATURES & SPECIFICATIONS

- ◆ ANSI Standard A156.5, Grade 3
- ◆ Meets ADA Requirements. Specially Designed for Barrier Free Applications
- ◆ Kwikset Keyway. Re-keyable for Master and Construction Keying
- ◆ Weiser and Schlage "C" Keyway Available
- ◆ Optional 3 Hour Fire Rated UL Listed Latch
- ◆ Reversible for Right and Left Handed Doors
- ◆ Full 1" Throw Deadbolt with Hardened Steel Pin to Prevent Saw Cutting
- ◆ **2 3/8" or 2 3/4" 4-way Adjustable Backset, Size 1" x 2 1/4" Round Corner Standard, Convertible to Drive-In latch. Square Corner Face Plate and 5" Round Corner Backsets Optional**
- ◆ All Metal Body & Cylinder Construction
- ◆ Fits 1 3/8" to 1 3/4" wood or metal doors
- ◆ 1" x 2 1/4" Square Corner Strike Standard, Optional Round Corner Full Lip Strike. Optional 1 1/4" x 3 5/8" Security Strike with 3" Screws also Available
- ◆ Easy installation

FINISHES

- ◆ US15 - Satin Nickel
- ◆ US11P - Venetian Bronze
- ◆ US3 - Polished Brass
- ◆ US5 - Antique Brass
- ◆ US26D - Satin Chrome
- ◆ US26 - Polished Chrome
- ◆ US15A - Antique Nickel
- ◆ **Refer to price list for stock finishes**
- ◆ Other finishes available upon request based on quantity with factory lead time

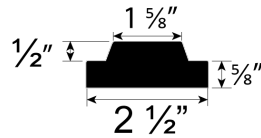
SPECIAL FEATURE



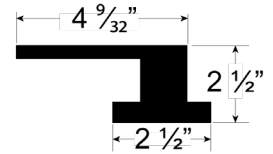
CONTEMPORARY SERIES LEVERSETS & DEADBOLTS



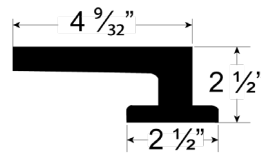
**ESQUIRE DESIGN
"ESQ" SERIES**



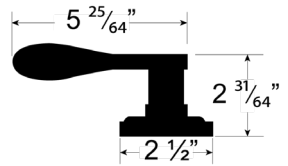
**HOLLAND DESIGN
"HOL" SERIES**



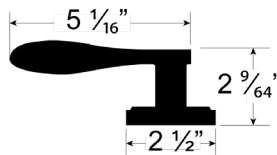
**ATLAS DESIGN
"ATL" SERIES**



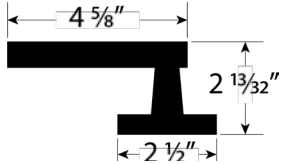
**JUPITER DESIGN
"JUP" SERIES**



**PHOENIX DESIGN
"PHO" SERIES**



**VANITY DESIGN
"VAN" SERIES**



FEATURES & SPECIFICATIONS

- ◆ Grade 3, ANSI Standard A156.2 Leversets and A156.5 Deadbolt
- ◆ Trim and Levers are Zinc Plated
- ◆ Tubular Body, Exposed Screws,
- ◆ Easy Installation
- ◆ Kwikset 5-Pin Keyway. Re-keyable for Master and Construction Keying
- ◆ For Wood and Metal Doors, Fits 1 3/8" to 1 3/4" Thick Doors
- ◆ 2 3/8" or 2 3/4" Adjustable Backset, Size 1" x 2 1/4" Round Corner Standard
- ◆ Square Corner Option and Drive-In Latch bolt also Available on Special Factory Order
- ◆ Round Corner Full Lip Strike: 1 3/4" x 2 1/4", Optional T-Strike
- ◆ Keyed Entry Comes with Lever / Lever for Exterior and Interior
- ◆ **Atlas, Phoenix and Vanity Designs have Auto Release for Immediate Egress on Privacy Functions**
- ◆ 1" Bore Diameter for Latch, 2 1/8" Diameter for Lock Housing

FINISHES

- ◆ US3 - Bright Brass
- ◆ US5 - Antique Brass
- ◆ US15 - Satin Nickel
- ◆ US15A - Antique Nickel
- ◆ US10B - Oil Rubbed Bronze
- ◆ US26D - Satin Chrome
- ◆ US26 - Polished Chrome
- ◆ PVD - Physical Vapor Deposition Coating
- ◆ **Refer to price list for stock finishes**

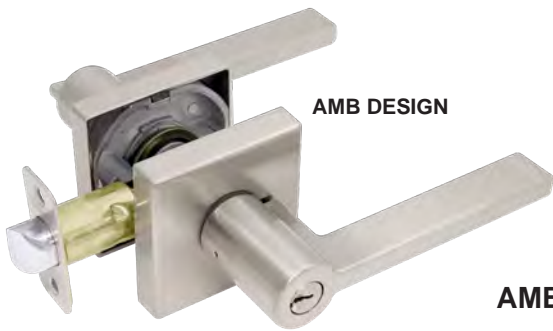
FUNCTIONS

- 00 - Entrance (Push Button)
- 20 - Privacy (Bed & Bath)
- 30 - Passage (Hall & Closet)
- 40 - Dummy

5 Year Finish Warranty
25 Year Mechanical Warranty

SUMMIT SERIES LEVERSETS

WITH PUSH BUTTON LOCKING MECHANISM & AUTO RELEASE FEATURE

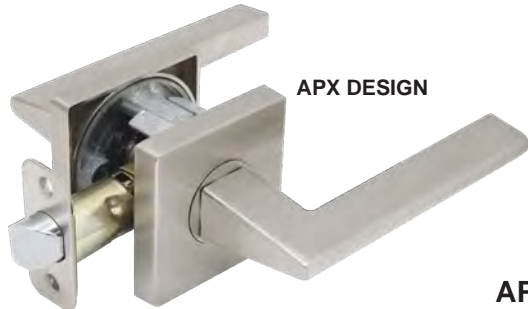
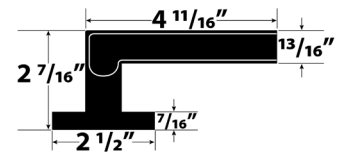


AMB DESIGN



AMB-R DESIGN

AMBER "AMB" SERIES (NON-HANDED)
CONCEALED SCREW

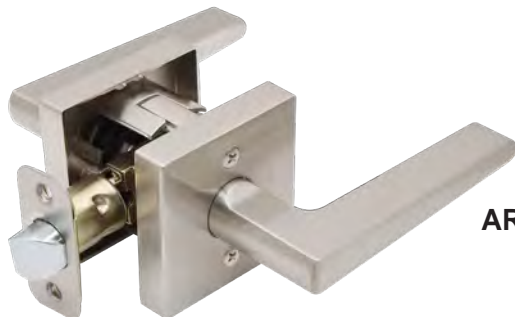
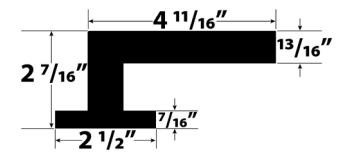


APX DESIGN

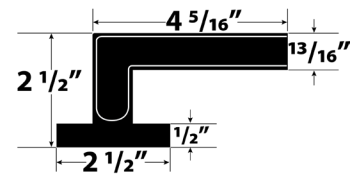


APX-R DESIGN

APEX "APX" SERIES (NON-HANDED)
CONCEALED SCREW



ARGO "ARG" SERIES (NON-HANDED)
EXPOSED SCREW



FEATURES & SPECIFICATIONS

- ◆ Grade 3, ANSI Standard A156.2
- ◆ Keyed Entry on Amber Design Only, Re-keyable Kwikset 5-Pin
- ◆ Trim and Levers are Zinc Plated, Square Rose is Standard
- ◆ Round Rose Option for Amber and Apex Designs only
- ◆ Tubular Body, Concealed Screws for Amber and Apex Series, and Exposed Screws for Argo Series
- ◆ Fits 1 3/8" to 1 3/4" Wood or Metal Doors
- ◆ 2 3/8" or 2 3/4" Adjustable Backset, Size 1" x 2 1/4" Round Corner Standard
- ◆ Square Corner Option and Drive-in Latch bolt also Available (4DRIVP2-2) on Special Factory Order
- ◆ Round Corner Full Lip Strike: 1 3/4" x 2 1/4", Optional T-Strike
- ◆ **Push Button Release on Privacy from Inside by Turning Lever**
- ◆ **All Designs have Auto Release for Immediate Egress, Panic Exit Structure on Privacy Functions**
- ◆ 1" Bore Diameter for Latch, 2 1/8" Diameter for Lock Housing

FINISHES

- ◆ US3 - Bright Brass
- ◆ US5 - Antique Brass
- ◆ US15 - Satin Nickel
- ◆ US15A - Antique Nickel
- ◆ US10B - Oil Rubbed Bronze
- ◆ US26D - Satin Chrome
- ◆ US26 - Polished Chrome
- ◆ **Refer to price list for stock finishes**

FUNCTIONS

- 20 - Privacy (Bed & Bath)
- 30 - Passage (Hall & Closet)
- 40 - Dummy

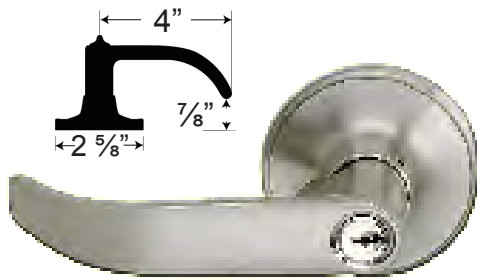
5 Year Finish Warranty
25 Year Mechanical Warranty

CHELSIE SERIES LEVERSETS

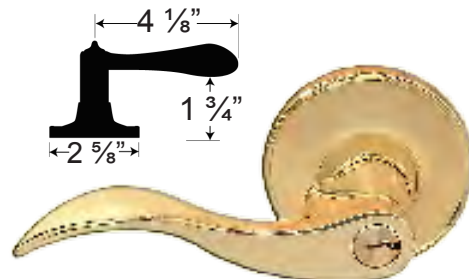
OPTIONAL



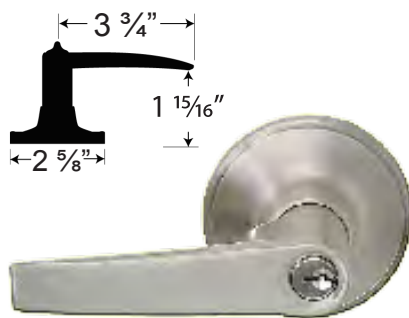
ADA



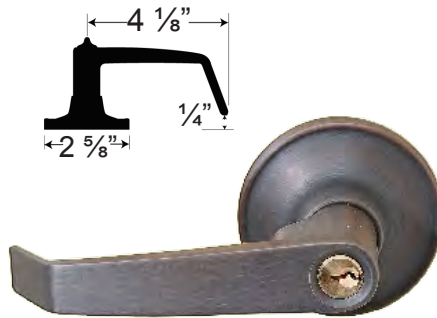
**SOPHIA "SOP" SERIES
(NON-HANDED)**



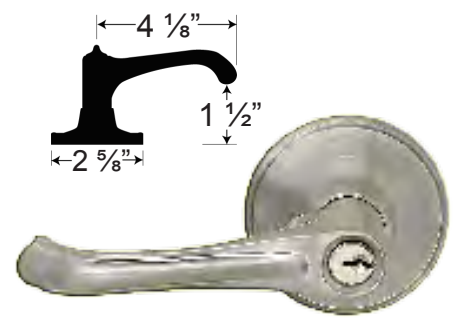
**MAYFAIR "MAY" SERIES
(HANDED)**



**LENOX "LEN" SERIES
(NON-HANDED)**



**BRISTOL "BRI" SERIES
(NON-HANDED)**



**AUSTIN "AUS" SERIES
(NON-HANDED)**

FEATURES & SPECIFICATIONS

- ◆ Grade 3, ANSI Standard A156.2
- ◆ Brass Trim. Levers are Brass Plated
- ◆ Kwikset Keyway. Re-keyable for Master and Construction Keying
- ◆ Weiser and Schlage "C" Keyway Available on Special Factory Order
- ◆ For Wood and Metal Doors, Fits 1 3/8" to 1 3/4" Thick Doors
- ◆ 2 3/8" or 2 3/4" Adjustable Backset, Size 1" x 2 1/4" Round Corner Standard
- ◆ Square Corner Option and Drive-in Adjustable Backset is also Available
- ◆ Round Corner Full Lip Strike is Standard. Other Strike Options are also Available
- ◆ Keyed Entry Comes with Lever / Lever for Exterior and Interior
- ◆ 1" Bore Diameter for Latch, 2 1/8" Diameter for Lock Housing
- ◆ Easy Installation
- ◆ When ordering prefix Series Design to function number:
(ex: **LEN-00** Entry).

FUNCTIONS

- 00 - Entry
- 20 - Privacy (Bed & Bath)
- 30 - Passage (Hall & Closet)
- 40 - Dummy (Active Dummy, not rigid)
- 05 - Storeroom (Vestibule)



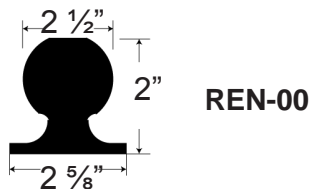
FINISHES

- ◆ US3 - Polished Brass
- ◆ US5 - Antique Brass
- ◆ US15 - Satin Nickel
- ◆ US15A - Antique Nickel
- ◆ US10B - Oil Rubbed Bronze
- ◆ US26D - Satin Chrome
- ◆ US26 - Polished Chrome
- ◆ Other finishes available upon request based on quantity with factory lead time.
- ◆ **Refer to pricelist for stock finishes**
- ◆ For **EXCEL LIFETIME FINISH** on polished brass, prefix "**LIF**" before part #, with factory lead time



CHELSIE SERIES TUBULAR LOCKSETS

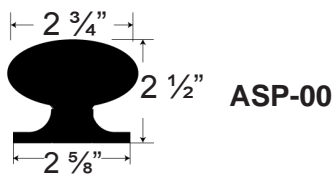
OPTIONAL



REN-00



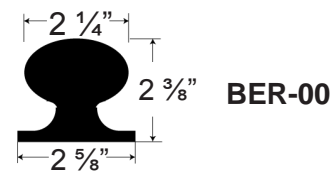
RENO DESIGN
"REN" SERIES



ASP-00



ASPEN DESIGN
"ASP" SERIES



BER-00



BERMUDA DESIGN
"BER" SERIES

FEATURES & SPECIFICATIONS

- ◆ Grade 3, ANSI Standard A156.2
- ◆ Brass Trim. Levers and Handles are Brass Plated
- ◆ Kwikset Keyway. Re-keyable for Master and Construction Keying
- ◆ Weiser and Schlage "C" Keyway Available on Special Factory Order
- ◆ For Wood and Metal Doors
- ◆ Fits 1 3/8" to 1 3/4" Thick Doors
- ◆ Reversible for Right and Left Handed Doors
- ◆ 2 3/8" or 2 3/4" Adjustable Backset, Size 1" x 2 1/4" Round Corner Standard
- ◆ Square Corner Option is also Available
- ◆ Drive-in Adjustable Backset is also Available
- ◆ Round Corner Full Lip Strike is Standard
- ◆ Other Strike Options are also Available
- ◆ Easy Installation
- ◆ When ordering prefix Series Design to function number:
(ex: **REN-00 Entry**).

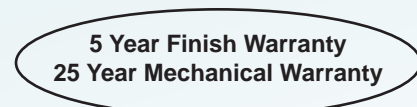
FUNCTIONS

- 00 - Entry
- 20 - Privacy (Bed & Bath)
- 30 - Passage (Hall & Closet)
- 40 - Dummy (Active Dummy, not rigid)
- 05 - Storeroom (Vestibule)

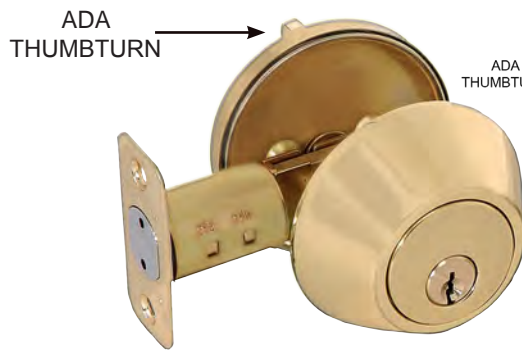


FINISHES

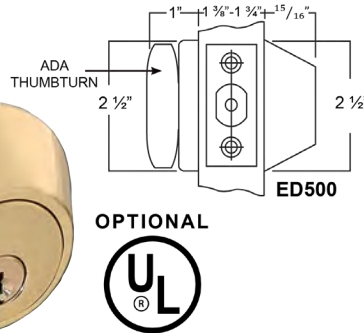
- ◆ US3 - Polished Brass
- ◆ US5 - Antique Brass
- ◆ US15 - Satin Nickel
- ◆ US15A - Antique Nickel
- ◆ US10B - Oil Rubbed Bronze
- ◆ US26D - Satin Chrome
- ◆ US26 - Polished Chrome
- ◆ Other finishes available upon request based on quantity with factory lead time.
- ◆ **Refer to pricelist for stock functions and finishes**
- ◆ For **EXCEL LIFETIME FINISH** on polished brass, prefix "**LIF**" before part #, with factory lead time



CHELSIE SERIES DEADBOLTS



**ED-500
SINGLE CYLINDER DEADBOLT**



**EDD-400
DOUBLE CYLINDER DEADBOLT**



**ID-701
ONE SIDED BOLT**



**ID-801
ONE SIDED BOLT WITH COVER**

FEATURES & SPECIFICATIONS

- ◆ Grade 3, ANSI Standard A156.5
- ◆ Kwikset Keyway. Re-keyable for Master and Construction Keying
- ◆ Weiser and Schlage "C" Keyway Available on Special Factory Order Only
- ◆ For Wood and Metal Doors, Fits 1 3/8" to 1 3/4" Thick Doors
- ◆ Reversible for Right and Left Handed Doors
- ◆ 2 3/8" or 2 3/4" Adjustable Backset, Size 1" x 2 1/4" Round Corner Standard Square Corner and Drive-in Adjustable Backset is also Available
- ◆ All Metal Body and Cylinder Construction
- ◆ All Exterior Parts are Brass
- ◆ Full 1" Throw Deadbolt and Hardened Steel Pin to Prevent Saw Cutting
- ◆ 1" x 2 1/4" Strike, Round Corner and Full Lip Strike Round Corner Standard. Square Corner Option also Available. Optional 1 1/4" x 3 5/8" Security Strike with 3" Screws also Available.
- ◆ Easy Installation

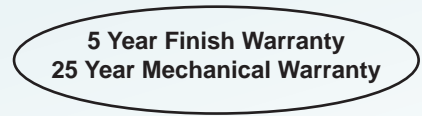
FUNCTIONS

- ED-500 - Single Cylinder Deadbolt
- EDD-400 - Double Cylinder Deadbolt
- ID-701 - One Sided Deadbolt
- ID-801 - One Sided Deadbolt with Cover Plate



FINISHES

- ◆ US3 - Polished Brass
- ◆ US5 - Antique Brass
- ◆ US15 - Satin Nickel
- ◆ US15A - Antique Nickel
- ◆ US10B - Oil Rubbed Bronze
- ◆ US26D - Satin Chrome
- ◆ US26 - Polished Chrome
- ◆ Other finishes available upon request based on quantity with factory lead time.
- ◆ **Refer to pricelist for stock functions and finishes**
- ◆ For **EXCEL LIFETIME FINISH** on polished brass, prefix "LIF" before part #, with factory lead time



CHELSIE SERIES HANDLESETS



**MERIDIAN DESIGN
"MER" SERIES**



**BAYBRIDGE DESIGN
"BAB" SERIES**



**SAVANNAH DESIGN
"SAV" SERIES**



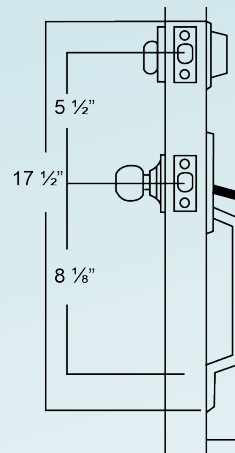
**DEERFIELD DESIGN
"DEE" SERIES**



**CAMBRIDGE DESIGN
"CAM" SERIES**

FEATURES & SPECIFICATIONS

- ◆ Grade 3, ANSI Standard A156.2, Light Duty Handlesets
- ◆ 5 Year Finish Warranty., 25 Year Mechanical Warranty
- ◆ All Metal Body and Parts
- ◆ All Solid Brass Forged Body
- ◆ Solid Filled Handle Grip
- ◆ Non-Locking Knob or Lever Operates Latch from Interior
- ◆ Thumb Piece Operates Handleset Latch from Exterior
- ◆ Interior Leverset see Chelsie Series
- ◆ Strikes and Latchbolts Same as Knob & Leversets
- ◆ Reversible for Right and Left Handed Doors Except Mayfair
- ◆ "KW" 5-Pin Kwikset Keyway Standard
- ◆ Re-keyable for Master and Construction Keying
- ◆ Weiser and Schlage "C" Keyway Available on Special Factory Request
- ◆ For Wood and Metal Doors
- ◆ 2 3/8" or 2 3/4" Backset, Size 1" x 2 1/4" Round Corner Standard. Square Corner and Drive-in Adjustable Backset Option also Available on Special Factory Order
- ◆ Round Corner Full Lip Strike: 1 3/4" x 2 1/4". Optional T-strike
- ◆ Round Corner Deadbolt Strike: 1" x 2 1/4"
- ◆ 1" Bore Diameter for Latch, 2 1/8" Diameter for Lock Housing
- ◆ Architectural Finishes



FINISHES

- ◆ US3 - Polished Brass
- ◆ US5 - Antique Brass
- ◆ US15 - Satin Nickel
- ◆ US15A - Antique Nickel
- ◆ US10B - Oil Rubbed Bronze
- ◆ US26D - Satin Chrome
- ◆ US26 - Polished Chrome
- ◆ PVD - Physical Vapor Deposition Coating
- ◆ Refer to pricelist for stock functions and finishes

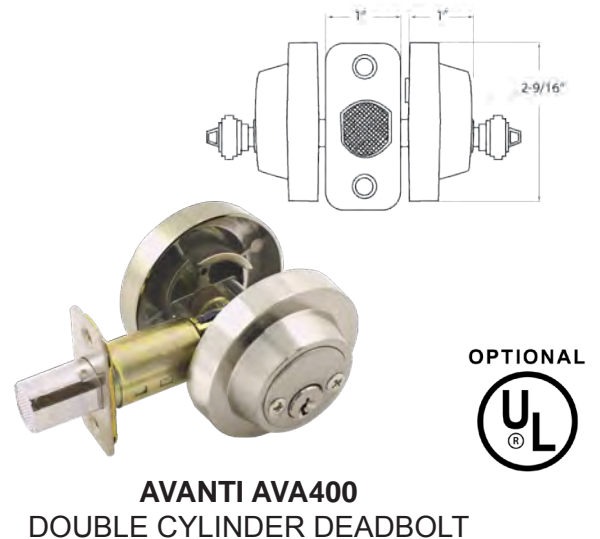
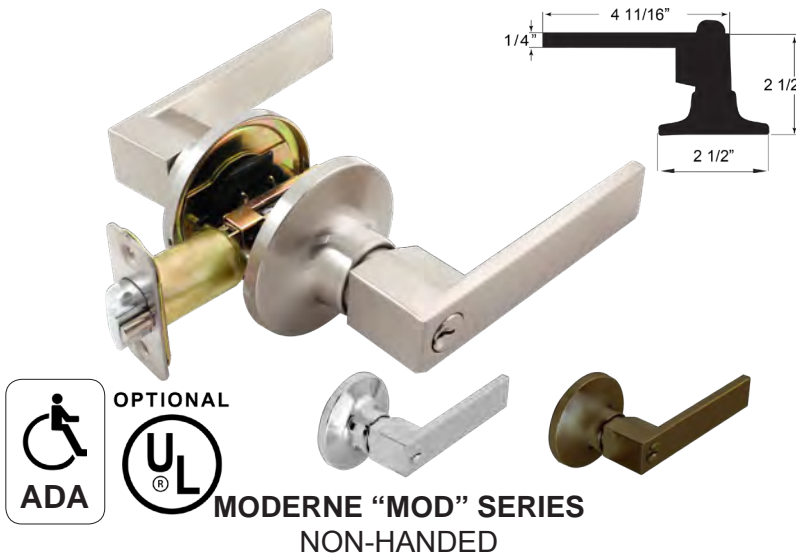
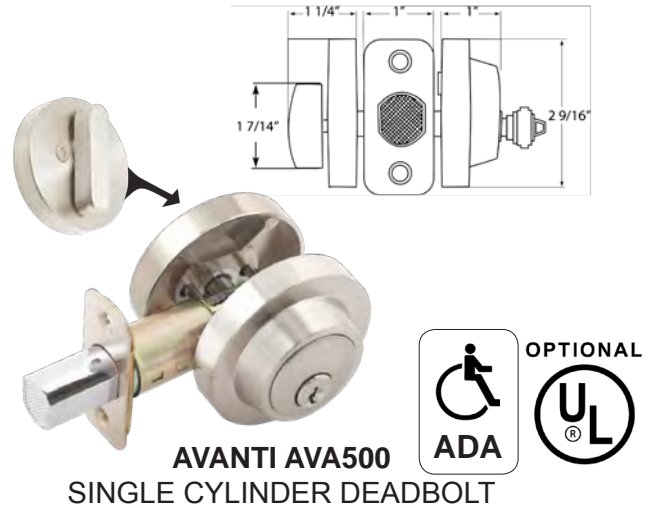
FUNCTIONS

- 00 - Handle with Single Cylinder Deadbolt
- 40 - Complete Dummy Trim

**5 Year Finish Warranty
25 Year Mechanical Warranty**

**EXCEL LIFETIME
ANTI-TARNISH
FINISH AVAILABLE**

VANGUARD SERIES LEVERSETS & DEADBOLTS



FEATURES & SPECIFICATIONS

- ◆ ANSI Standard A156.2 Leversets and A156.5 Deadbolts, Grade 3
- ◆ Kwikset Keyway. Re-keyable for Master and Construction Keying
- ◆ Optional Weiser and Schlage "C" Keyway Available
- ◆ Optional 3-Hour Fire Rated UL Listed Latch
- ◆ Fits 1 3/8" to 1 3/4" Wood or Metal doors
- ◆ Reversible for Right and Left Handed Doors
- ◆ All Metal Body & Cylinder Construction
- ◆ Full 1" Throw Deadbolt with Hardened Steel Pin to Prevent Saw Cutting
- ◆ Deadbolt Comes with 2 3/8" or 2 3/4" Adjustable Backset, Size 1" x 2 1/4" Round Corner Standard; Square Corner and Drive-in Latch bolt Also Available
- ◆ Optional 1 1/4" x 3 5/8" Security Strike with 3" Screws Also Available
- ◆ Lever Comes with Round Corner Full Lip Strike
- ◆ Lever Comes with **6-way** 2 3/8" or 2 3/4" Adjustable Backset Convertible to Drive-In, Size 1" x 2 1/4" Round Corner Standard
- ◆ Square Corner Option also Available on Special Factory Order
- ◆ Easy Installation

FINISHES

- ◆ US15 - Satin Nickel
- ◆ US11P - Venetian Bronze
- ◆ US3 - Polished Brass
- ◆ US5 - Antique Brass
- ◆ US26D - Satin Chrome
- ◆ US26 - Polished Chrome
- ◆ US15A - Antique Nickel
- ◆ **Refer to price list for stock finishes**
- ◆ Other finishes available upon request based on quantity with factory lead time

FUNCTIONS

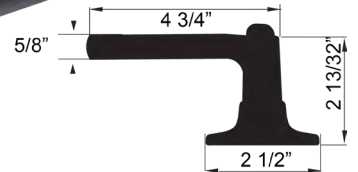
- 00 - Entry (turn button)
- 05 - Storeroom (vestibule)
- 20 - Privacy (bed & bath, turn button)
- 30 - Passage (hall & closet)
- 40 - Active Dummy

**5 Year Finish Warranty
25 Year Mechanical Warranty**

HERITAGE SERIES LEVERSETS



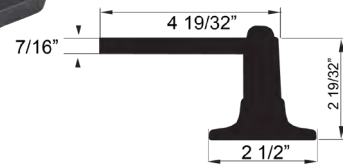
AZURE "AZU" SERIES (NON-HANDED)



OPTIONAL



ALLURE "ALL" SERIES (NON-HANDED)



OPTIONAL



FEATURES & SPECIFICATIONS

- ◆ ANSI Standard A156.2 Grade 3
- ◆ Keyed Entry with Lever / Lever for Exterior & interior
- ◆ Kwikset Keyway; Re-keyable for Master and Construction Keying
- ◆ Optional Weiser and Schlage "C" Keyway Available
- ◆ Brass and Stainless Steel Trims; Levers are Plated
- ◆ 2 3/8" or 2 3/4" Adjustable Backset, Size 1" x 2 1/4" Round Corner Standard; Square Corner Option and Drive-In Latch bolt also Available on Special Factory Order.
- ◆ Optional 3-Hour Fire Rated UL Listed Latch
- ◆ Reversible for Right and Left Handed Doors
- ◆ Round Corner Full Lip Strike is Standard
- ◆ Fits 1 3/8" to 1 3/4" Wood or Metal Doors

5 Year Finish Warranty
25 Year Mechanical Warranty

FINISHES

- ◆ US3 - Bright Brass
- ◆ US5 - Antique Brass
- ◆ US15 - Satin Nickel
- ◆ US15A - Antique Nickel
- ◆ US11P - Venetian Bronze
- ◆ US26D - Satin Chrome
- ◆ US26 - Polished Chrome
- ◆ Refer to pricelist for stock finishes

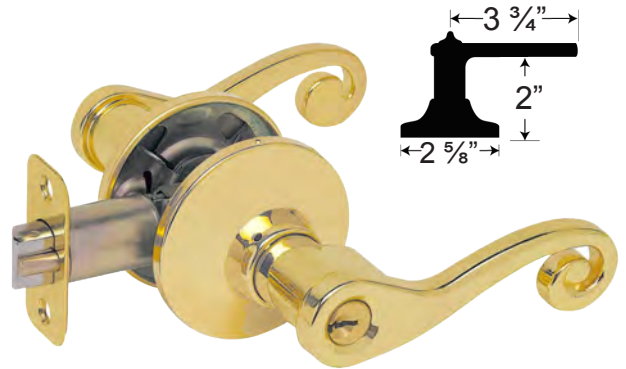
FUNCTIONS

- 00 - Entry (Turn Button)
- 05 - Storeroom (Vestibule)
- 20 - Privacy (Bed & Bath, Turn Button)
- 30 - Passage (Hall & Closet)
- 40 - Active Dummy

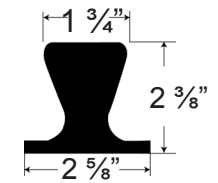
ASHLEY SERIES TUBULAR LOCKSETS / LEVERSETS



LEPRE00 (HANDED)
SPECIFY
PREMIER SERIES



LESIG00 (HANDED)
SPECIFY
SIGNATURE SERIES



RIZ00
RITZ SERIES

FEATURES & SPECIFICATIONS

- ◆ Grade 3, ANSI Standard A156.2
- ◆ Brass Trim and Knob. Levers and Handles are Brass Plated
- ◆ Kwikset Keyway. Re-keyable for Master and Construction Keying
- ◆ Weiser and Keyway Available on Special Factory Order Only
- ◆ For Wood and Metal Doors, Fits $1 \frac{3}{8}$ " to $1 \frac{3}{4}$ " Thick Doors
- ◆ Reversible for Right and Left Handed Doors
- ◆ $2 \frac{3}{8}$ " or $2 \frac{3}{4}$ " Adjustable Backset, Size $1" \times 2 \frac{1}{4}"$ Round Corner Standard
- ◆ Square Corner Option and Drive-in Adjustable Backset is also Available
- ◆ Round Corner Full Lip Strike is Standard. Other Strike Options are also Available
- ◆ Keyed Entry Comes with Lever / Lever for Exterior and Interior
- ◆ Easy Installation
- ◆ When ordering prefix Series Design to function number:
(ex: **RIZ00 Entry**).

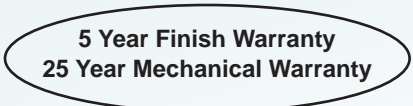
FUNCTIONS

- 00 - Entry
- 20 - Privacy (Bed & Bath)
- 30 - Passage (Hall & Closet)
- 40 - Dummy (Active Dummy, not rigid)
- 05 - Storeroom (Vestibule)



FINISHES

- ◆ New Powder Coated
- ◆ US3 - Polished Brass
- ◆ US5 - Antique Brass
- ◆ US15 - Satin Nickel
- ◆ US15A - Antique Nickel
- ◆ US10B - Oil Rubbed Bronze
- ◆ US26D - Satin Chrome
- ◆ US26 - Polished Chrome
- ◆ Other finishes available upon request based on quantity with factory lead time.
- ◆ **Refer to pricelist for stock functions and finishes**
- ◆ For **EXCEL LIFETIME FINISH** on polished brass, prefix "LIF" before part #, with factory lead time



ITALIA SERIES

STAINLESS STEEL LEVERSETS, KNOBSETS, ESCUTCHEON, DEADBOLTS

ANSI STANDARD A156.2, GRADE 3 (Optional Grade 2)
LEVERS / KNOBS COMPATIBLE WITH NM SERIES GRADE 1 MORTISE LOCKS



ESCUTCHEON



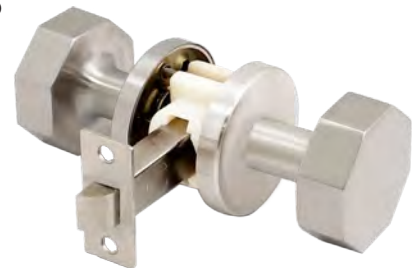
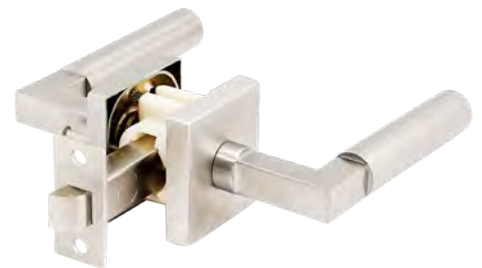
MORTISE LOCK



LEVERSETS



DEADBOLTS



KNOBSETS


ITALIA SERIES


DESIGN YOUR OWN.....	85
LEVER DESIGN	86
LEVER / KNOB DESIGN	87
ROSE DESIGN	87
HOW TO ORDER	88
TUBULAR LATCHSET	88
TUBULAR ENTRY SET	88
ROSE AND ESCUTCHEON DESIGN	89
DOOR PREPARATION	89
NM SERIES MORTISE LOCK	90
LATCHES	91
STRIKES	91
DEADBOLTS	92
DOOR PREPARATION DEADBOLT	92
EXPLODED DIAGRAM - ROSE WITH TUBULAR LATCH.....	93
EXPLODED DIAGRAM - ROSE WITH NM SERIES MORTISE LOCK.....	93
EXPLODED DIAGRAM - ESCUTCHEON WITH TUBULAR LATCH.....	94
EXPLODED DIAGRAM - SINGLE CYLINDER WITH DEADBOLT.....	95
EXPLODED DIAGRAM - DOUBLE CYLINDER WITH DEADBOLT.....	95
CARE AND MAINTENANCE	96
PRODUCT WARRANTY.....	96

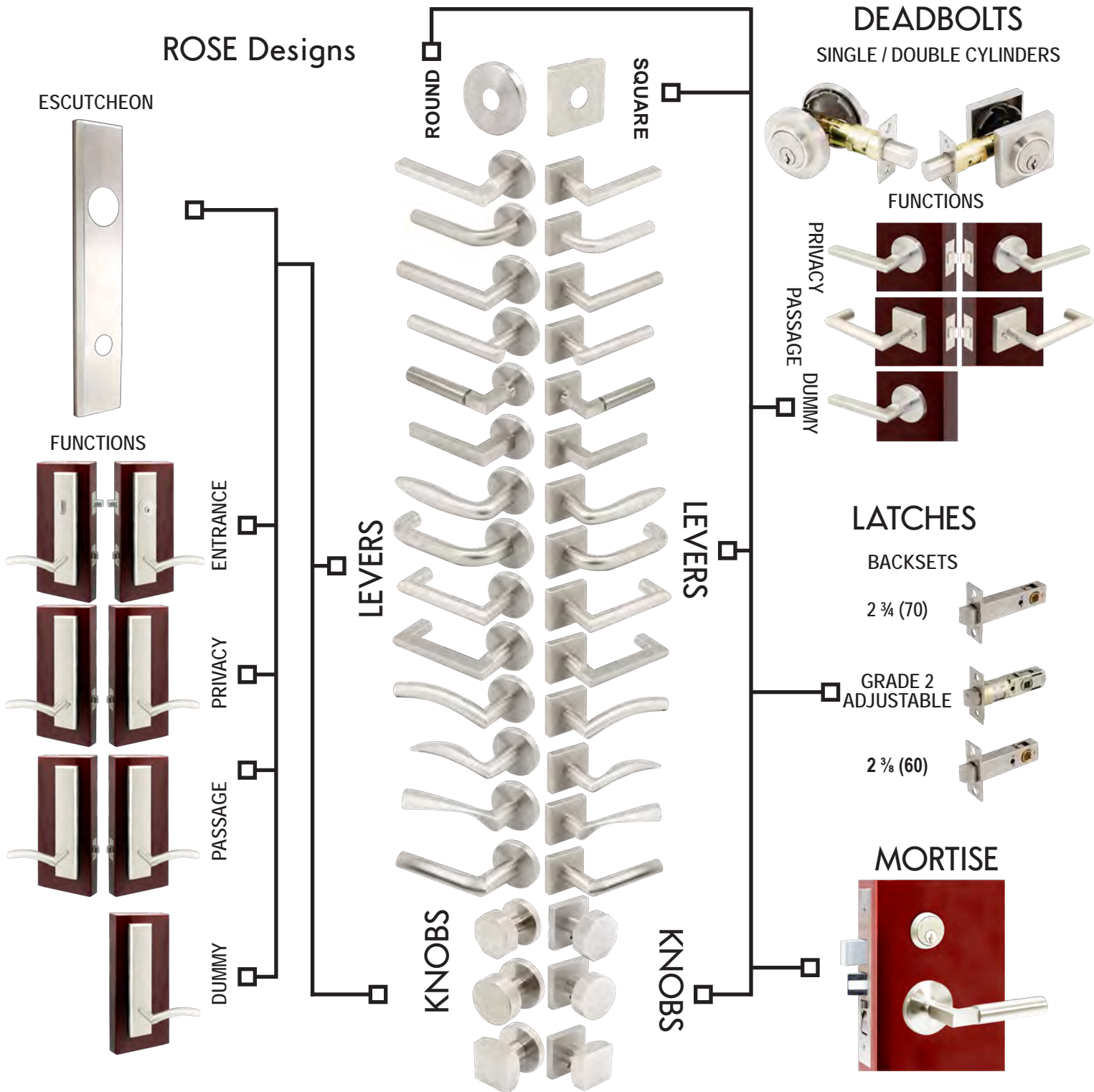


ITALIA SERIES

DESIGN YOUR OWN

DESIGN YOUR OWN

1. CHOOSE A ROSE TYPE
2. SELECT LEVER OR KNOB
3. SPECIFY A FUNCTION
4. SPECIFY LATCH



LEVER DESIGNS

HANDED
 H - HOLLOW
 S - SOLID

LUCCA - LUC

PERUVIA - PER

RAVENNA - RAV

SALERNO - SAL

FERRARA - FER

SYRACUSE - SYR

PISA - PIS

VENICE - VEN

POMPEI - POM

TURIN - TUR

BRESCIA - BRE

VICENZA - VIC

LEVER / KNOB DESIGNS

- HANDED
 - HOLLOW
 - SOLID

SIENA - SIE

LIVORNO - LIV

PADERNO - PAD

PALERMO - PAL

PAVIA - PAV

GIRO - G

QUADRO - Q

SCUDO - S

HOW TO ORDER

NOTE:
 Standard Backset is 2 3/8"

Entrance Function is only available for SCUDO rose design (escutcheon).

Privacy Function for SCUDO rose design specify handing.

HOW TO ORDER					
ddd-FFb-R[H] US32[X]					
DESIGN (ddd)	FUNCTION (FF)	BACKSET (b)	ROSE (R)	HANDING (H)	FINISH (US32X)
See Lever / Knob Designs	00 - Entrance 20 - Privacy 30 - Passage 40 - Single Dummy	8 - 2 3/8" 4 - 2 3/4" 2 - Grade 2 (4-way) 2H - Gr 2 (L/R) 2V - Gr 2 (LHR/RHR)	G - Giro Q - Quadro S - Scudo	L - Left Hand R - Right Hand	US32D - Satin SS US32 - Polished SS

For Example:

To order Privacy function Left Handed, SIENA lever design with QUADRO style rose and Grade 2 4-way backset in US32D finish:

ORDER PART# : SIE-202-QL US32D

TUBULAR LATCH SET

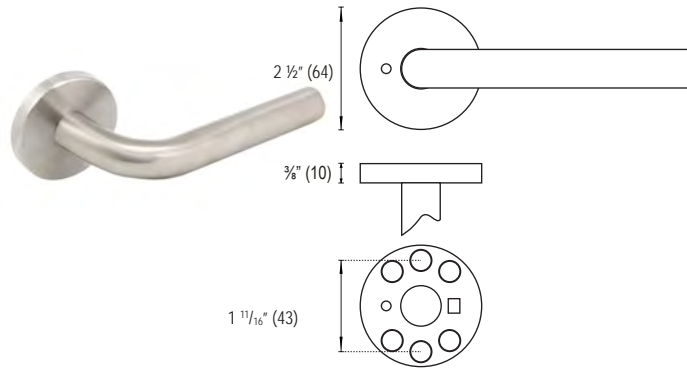
APPLICATION	FUNCTION: NON-KEYED		
For residential and commercial interior doors with privacy, passage and dummy function		Passage Inside and Outside levers always unlocked	
MATERIAL Stainless Steel Levers, Knobs and Rose			
SPECIFICATIONS		Dummy Left or right lever are always inactive	
<ul style="list-style-type: none"> Door thickness: 1 3/8" (35) to 1 3/4" (44) Latch Backset: 2 3/8" (60) standard, 2 3/4" (70) optional Grade 2 Latch: CTG2 Adjustable 2 3/8" (60) and 2 3/4" (70) (optional) Handing: Most lever designs are non-handed, Handed designs are marked accordingly. Specify handing upon ordering Latch Faceplate: 1" x 2 1/4" (25 x 57) square corner Emergency Pin: Available as standard for privacy function Strike: FLS Full Lip Strike 1" x 2 1/4", 1/4" round corner (standard) TS T-Strike 1 1/8" x 2" square corner (standard) ASA478 US32D ANSI Strike 4 7/8" x 1 1/4" (optional) 			

TUBULAR ENTRY SET

APPLICATION	FUNCTION: KEYED AND NON-KEYED		
For residential and commercial exterior and interior doors with entrance, privacy, passage and dummy function		Entrance Key outside and thumb-turn inside locks or unlocks cylinder. Inside and outside levers always unlocked	
MATERIAL Stainless Steel Levers, Knobs and Escutcheons			
SPECIFICATIONS		Privacy Privacy pin from inside, locks the lever. Turning inside lever releases pin or by emergency release pin outside. Specify Handing when ordering.	
<ul style="list-style-type: none"> Door thickness: 1 9/16" (40) - 2 (50) Latch Backset: 2 3/8" (60) standard 2 3/4" (70) optional Handing: Field reversible for passage and privacy function Latch Faceplate: 1" x 2 1/4" (25 x 57) square corner Strike: FLS Full Lip Strike 1" x 2 1/4", 1/4" round corner (standard) TS T-Strike 1 1/8" x 2" square corner (standard) ASA478 US32D ANSI Strike 4 7/8" x 1 1/4" (optional) <p>Entrance Function</p> <ul style="list-style-type: none"> Cylinder and Keys: Schlage C Keyway Cylinder 5-pin with 2 keys Keying service available Deadbolt: Latch Bolt: Grade 1, 4-way Drive-In, Brass bolt Adjustable 2 3/8" (60) and 2 3/4" (70) Deadbolt Strike: 1 1/8" x 2 3/4" (29 x 70) square corner standard <p>Privacy Function</p> <ul style="list-style-type: none"> Emergency Pin: Available as standard for privacy function <p>Grade 2 Latch Upgrade</p> <ul style="list-style-type: none"> Available for Entrance, Privacy and Passage functions of lever / knob 			
		Dummy Left or right lever are always inactive	

GIRO ROSE

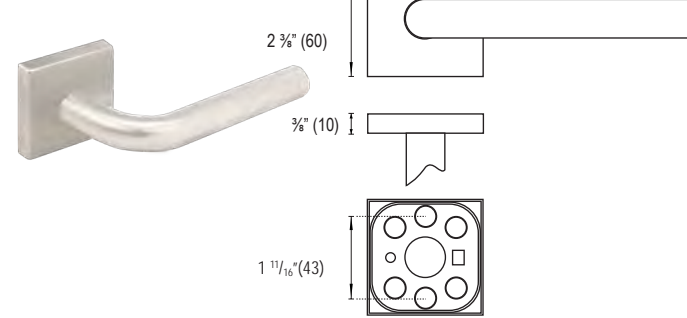
Material: Stainless Steel



UNITS: in (mm)

QUADRO ROSE

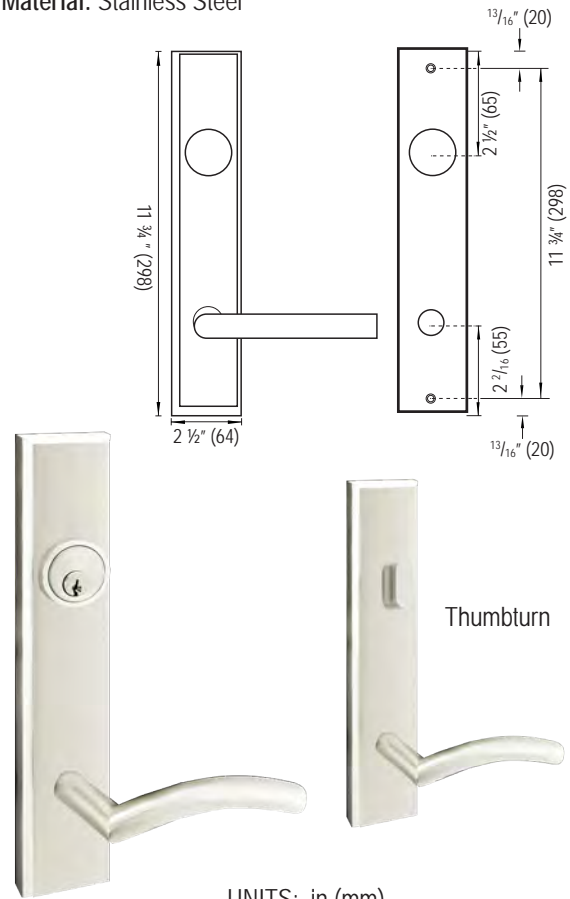
Material: Stainless Steel



UNITS: in (mm)

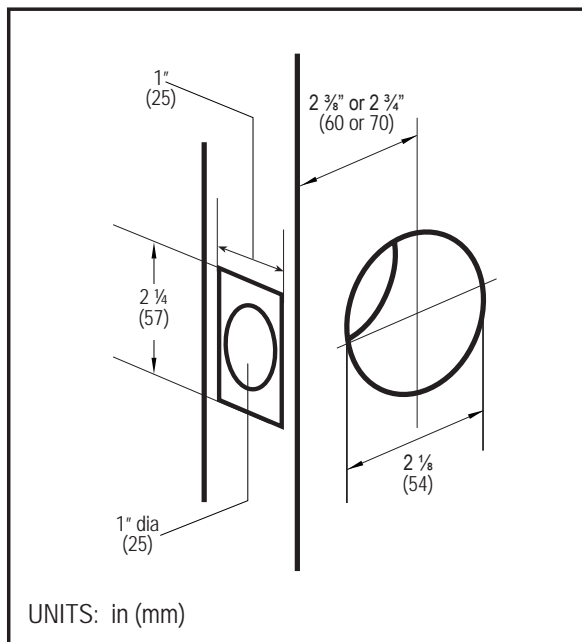
SCUDO ESCUTCHEON

Material: Stainless Steel

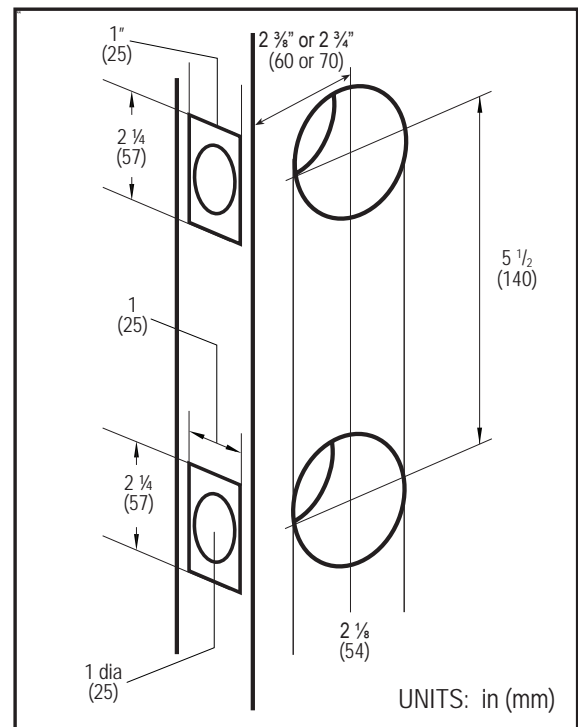


UNITS: in (mm)

DOOR PREPARATION



UNITS: in (mm)



UNITS: in (mm)



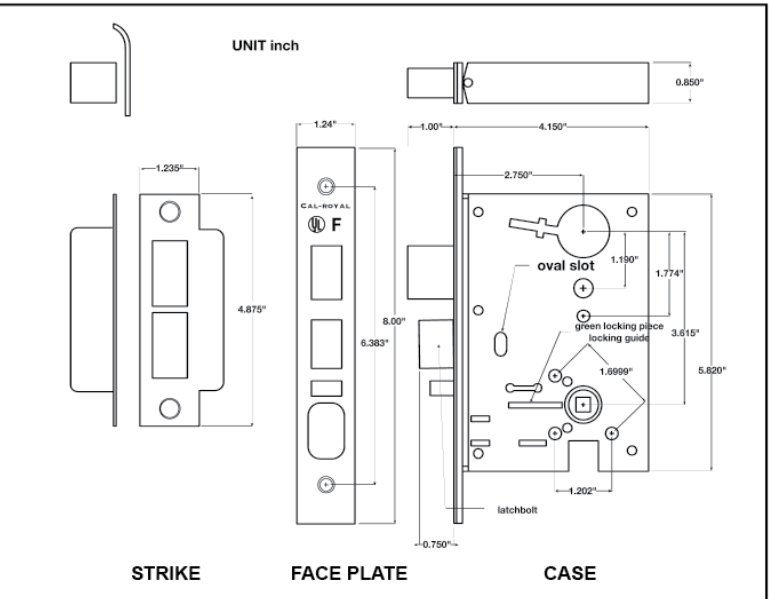
NM SERIES GRADE 1 MORTISE LOCK

FEATURES & SPECIFICATIONS

For Doors..... 1 ¼"
 Backset..... 2 ¾"
 Lockcase..... Heavy gauge zinc chromate steel
 Front..... Heavy gauge steel 8" x 1 ¼" x 3/32".
 Accommodates flat doors and doors beveled 1/8" in 2"
 Armored Front..... Wrought brass attached by machine screws to lock case front
 Deadbolt..... 1" throw, brass chrome-plated with hardened steel rollers
 Guard-bolt..... Extruded brass, chrome plated
 Stop-works..... Rocker type, brass, chrome-plated
 Strikes..... Brass, non-handed curve strike 4 7/8" x 1/4".
 Curved-up strike available upon request
 Handing..... Handed. Easily field-reversible
 Trim..... See Lever / Knob Designs, Giro / Quadro rose (Page 2)
 Cylinder..... As specified
 Keyway..... As specified
 Finishes..... As specified
 UL Listing..... UL Listed "A" Label (3 hours), for use on fire doors, single or pair of doors. "F" mark stamped on strike
 ANSI..... Lock body conforms to Federal specification Type 86; and to all dimensional and operational performances of ANSI A156.13, Series 1000 Grade 1, exceeds 1,000,000 cycles

	MODEL	ANSI	AVAILABLE FUNCTIONS
	NM8050	F04	Office
	NM8070	F05	Classroom
	NM8080	F07	Storeroom
	NM8453	F20	Entrance
	NM8010	F01	Passage
	NM8040	F02 F19 F22	Privacy with Deadbolt
	NM8456	F13	Corridor / Exit
	NM8465	F65	Closet / Storeroom
	NM8473	F21	Dormitory / Bedroom

Other functions available with factory lead time and subject to minimum order




HOW TO ORDER:

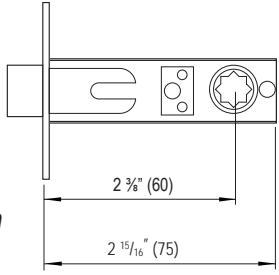
MODEL NUMBER + HANDING + LEVER DESIGN + ROSE DESIGN + FINISH

REFER TO PAGES 86-87 FOR ROSE AND LEVER DESIGNS


LATCHES



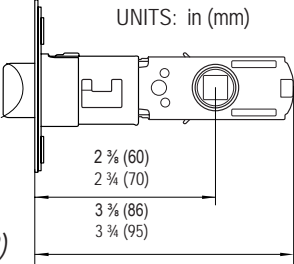
CTPAS238 (Passage)
CTPRI238 (Privacy)
45 Degree Latch Retraction
 (Grade 3)
 Backset: 2 3/8" (60)
 Function: Passage, Privacy
 Faceplate: 1" x 2 1/4" (25 x 57)
 Material: Stainless Steel




2 3/8" (60)
 2 15/16" (75)



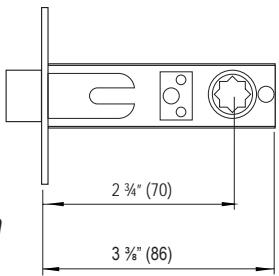
G2PAS (Passage)
G2PRIIR (Privacy LR)
G2PRIIO (Privacy LHR)
45 Degree Latch Retraction
 (Grade 2)
 Backset: Adjustable 2 3/8" (60) and 2 3/4" (70)
 Function: Passage, Privacy
 Faceplate: 1" x 2 1/4", Stainless Steel
 Material: Stainless Steel Latch



UNITS: in (mm)
 2 3/8" (60)
 2 3/4" (70)
 3 3/8" (86)
 3 3/4" (95)




CTPAS234 (Passage)
CTPRI234 (Privacy)
45 Degree Latch Retraction
 (Grade 3)
 Backset: 2 3/4" (70)
 Function: Passage, Privacy
 Faceplate: 1" x 2 1/4" (25 x 57)
 Material: Stainless Steel




2 3/4" (70)
 3 3/8" (86)

UNITS: in (mm)




APS PVC
Anti-Pry Shield (PVC)
 (Optional)
 Backset: 2 3/8" (60) standard, 2 3/4" (70) optional
 Door Thickness: 1 3/8" (35) and 1 3/4" (44)
 Material: Heat Resistant PVC



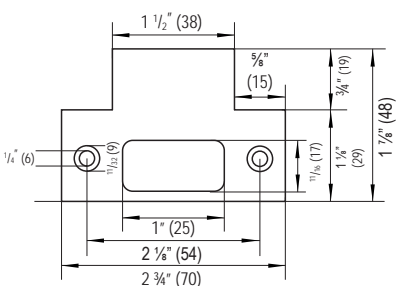
APS ZINC
Anti-Pry Shield (Zinc Alloy)
 (Optional)
 Backset: 2 3/8" (60) standard, 2 3/4" (70) optional
 Door Thickness: 1 3/8" (35) and 1 3/4" (44)
 Material: Zinc Alloy

STRIKES

All latches come with both T-Strike and Full-lip Strike standard




TS
T-Strike
 1 1/8" x 2 3/4", with lip 1 1/2" x 1/2"

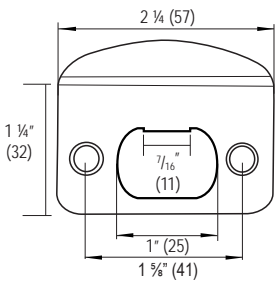


1 1/2" (38)
 5/8" (15)
 3/4" (19)
 1 1/8" (29)
 1 7/8" (48)
 1" (25)
 2 1/8" (54)
 2 3/4" (70)

UNITS: in (mm)




FLS
Full-lip Strike 1/4" Corner
 1 3/4" x 2 1/4"

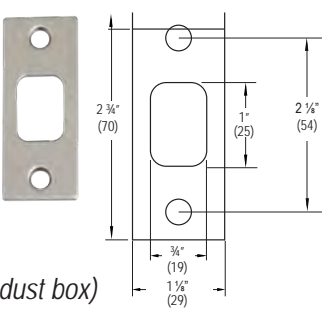


2 1/4" (57)
 1 1/4" (32)
 7/16" (11)
 1" (25)
 1 5/8" (41)

UNITS: in (mm)




T2STRK
Deadbolt Strike 1/8" Corner
 (with reinforcement plate and dust box)
 1 1/8" x 2 3/4" (29 x 70)

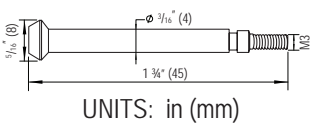


2 3/4" (70)
 1" (25)
 2 1/4" (54)
 3/4" (19)
 1 1/8" (29)

UNITS: in (mm)




CTPRIPIN
Privacy Pin
 Comes with all privacy latches



3/16" (8)
 3/16" (4)
 1 3/4" (45)

UNITS: in (mm)



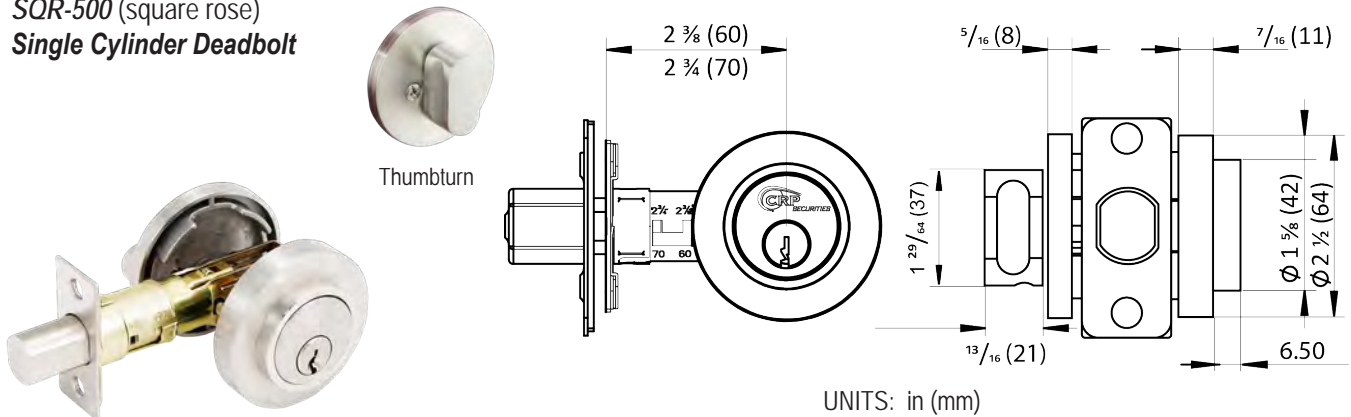
ALLENKEY
Allen Key
 Comes with all locksets



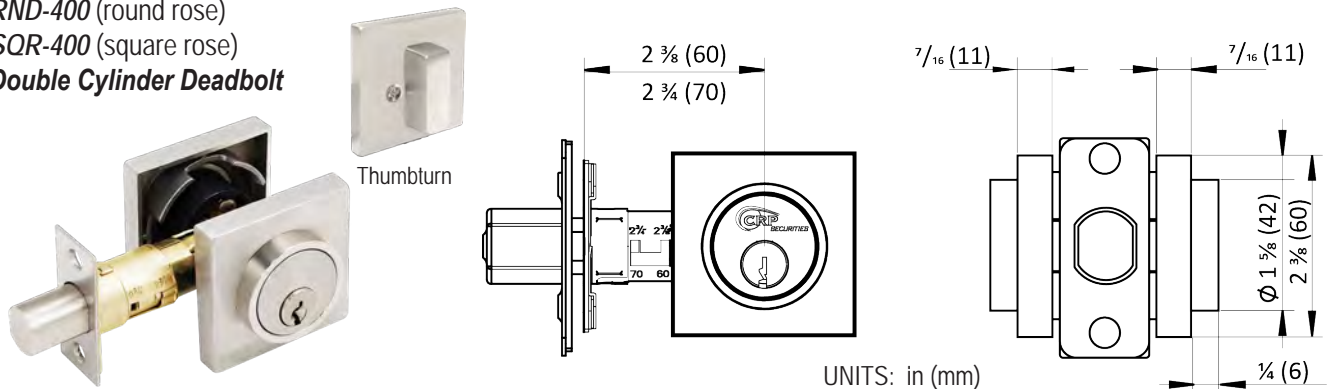
EMRELPIN
Emergency Release Pin
 Comes with all privacy latches

DEADBOLTS

RND-500 (round rose)
SQR-500 (square rose)
Single Cylinder Deadbolt



RND-400 (round rose)
SQR-400 (square rose)
Double Cylinder Deadbolt



APPLICATION

For residential and commercial exterior and interior doors

MATERIAL

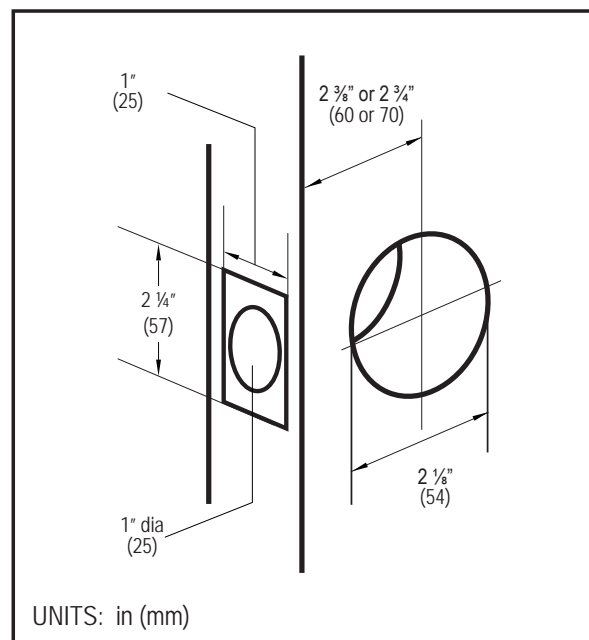
Stainless Steel

SPECIFICATIONS

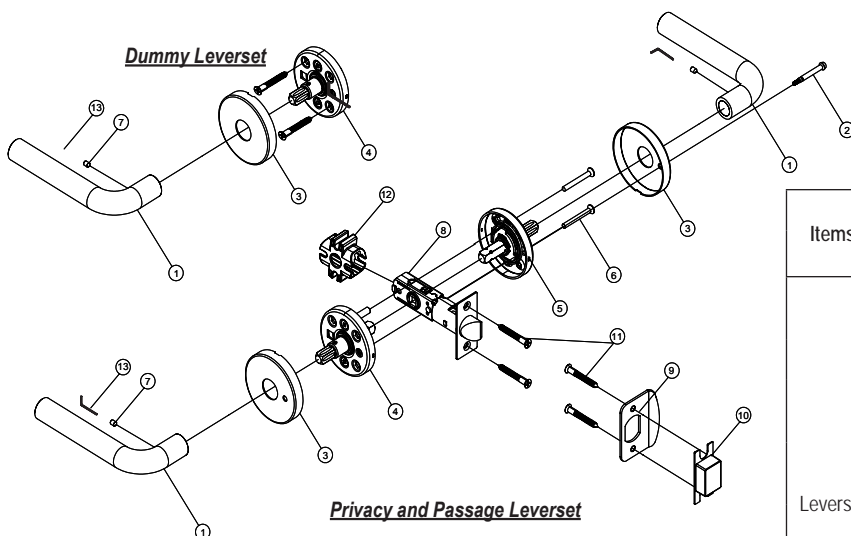
- Latch Bolt: Grade 1, 4-way Drive-In, Brass, Satin Nickel bolt
- Latch Backset: Adjustable 2 3/8 (60) and 2 3/4 (70)
- Handing: Non-Handed
- Latch Faceplate: 1" x 2 1/4" (25 x 57)
- Deadbolt Strike: 1 1/8" x 2 3/4" (29 x 70) square corner (standard)
- Security Strike: 1 1/8" x 2 3/4" x 3/32" (29 x 70 x 2) (standard)
- Cylinder and Keys: Schlage C Keyway, Cylinder 5-pin with 2 keys
Keying service available

MODEL	DESCRIPTION	DOOR THICKNESS
RND-508	SINGLE CYLINDER ROUND ROSE	1 3/8" (35) - 1 3/4" (45)
RND-504	SINGLE CYLINDER ROUND ROSE	1 3/4" (45) - 2" (50)
SQR-508	SINGLE CYLINDER SQUARE ROSE	1 3/8" (35) - 1 3/4" (45)
SQR-504	SINGLE CYLINDER SQUARE ROSE	1 3/4" (45) - 2" (50)
RND-404	DOUBLE CYLINDER ROUND ROSE	1 3/4" (45) - 2" (50)
SQR-404	DOUBLE CYLINDER SQUARE ROSE	1 3/4" (45) - 2" (50)

DOOR PREPARATION

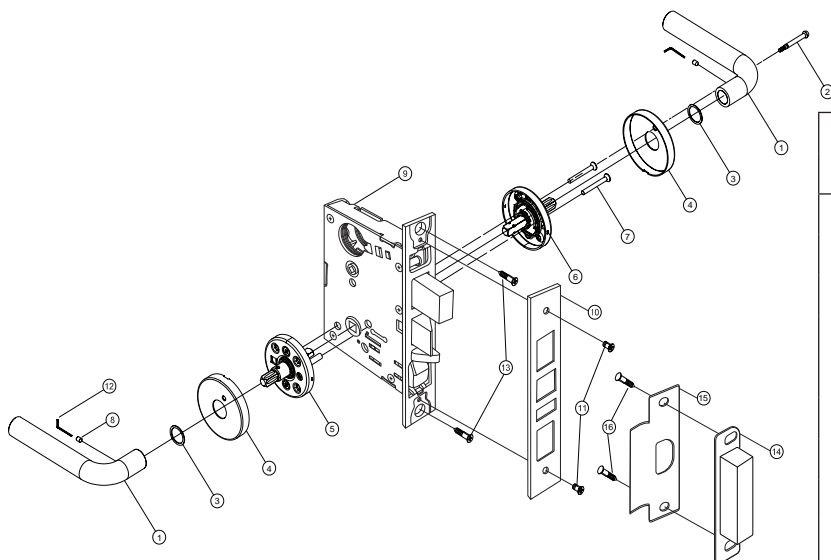


EXPLODED DIAGRAM ROSE WITH TUBULAR LATCH



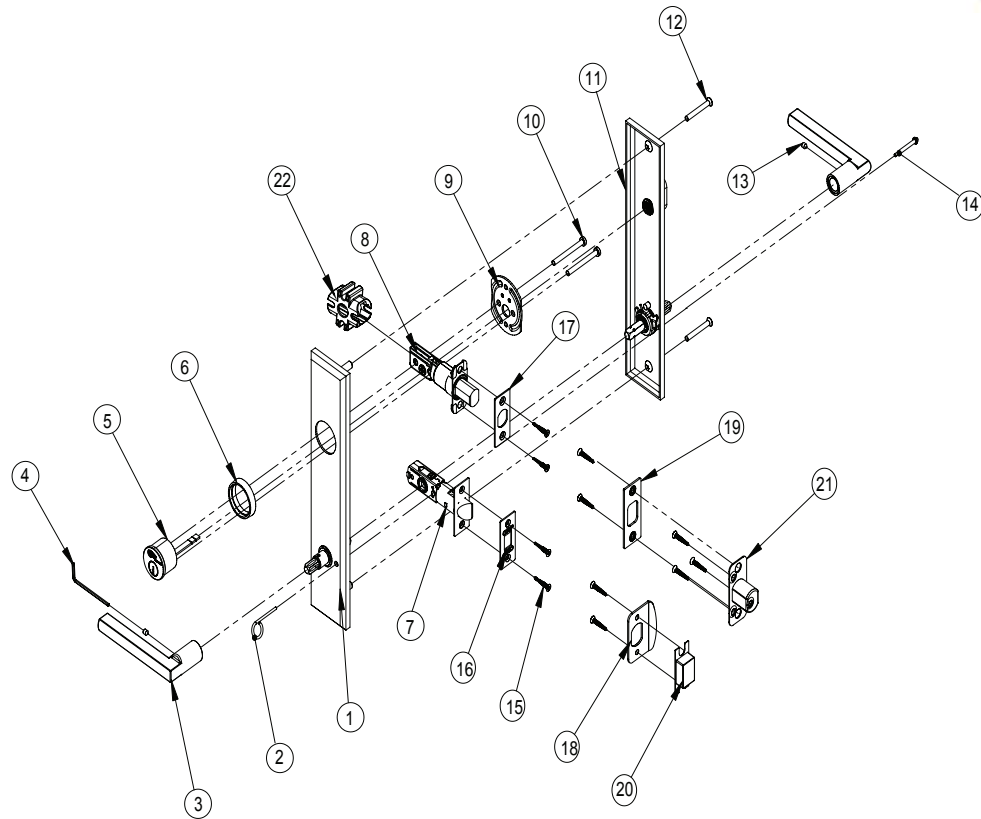
Items	No.	Parts Description	Function		
			Privacy	Passage	Dummy
Leverset	1	Outside / Inside Lever / Knob	2 ea	2 ea	1 ea
	2	Privacy Pin	1 ea	—	—
	3	Giro / Quadro Outside / Inside Rose Cover	2 ea	2 ea	1 ea
	4	Giro / Quadro Outside Inner Rose	1 ea	1 ea	—
	5	Giro / Quadro Inside Inner Rose	1 ea	1 ea	1 ea
	6	8U32*40 Screw	2 ea	2 ea	—
	7	M5x6 Set Screws	2 ea	2 ea	1 ea
	-	4*25 Wood Screw	—	—	4 ea
	13	Hex Key	1 ea	1 ea	1 ea
Locks	8	Tubular Latch	1 ea	1 ea	—
	9	Tubular Latch Striking Plate	1 ea	1 ea	—
	10	Tubular Latch Dust Box	1 ea	1 ea	—
	11	8U32x25 Combination Screws / 3.5x20 Wood Screws	4 ea	4 ea	—
	12	Anti-Pry Shield	1 ea	1 ea	—

EXPLODED DIAGRAM ROSE WITH NM SERIES MORTISE LOCKS



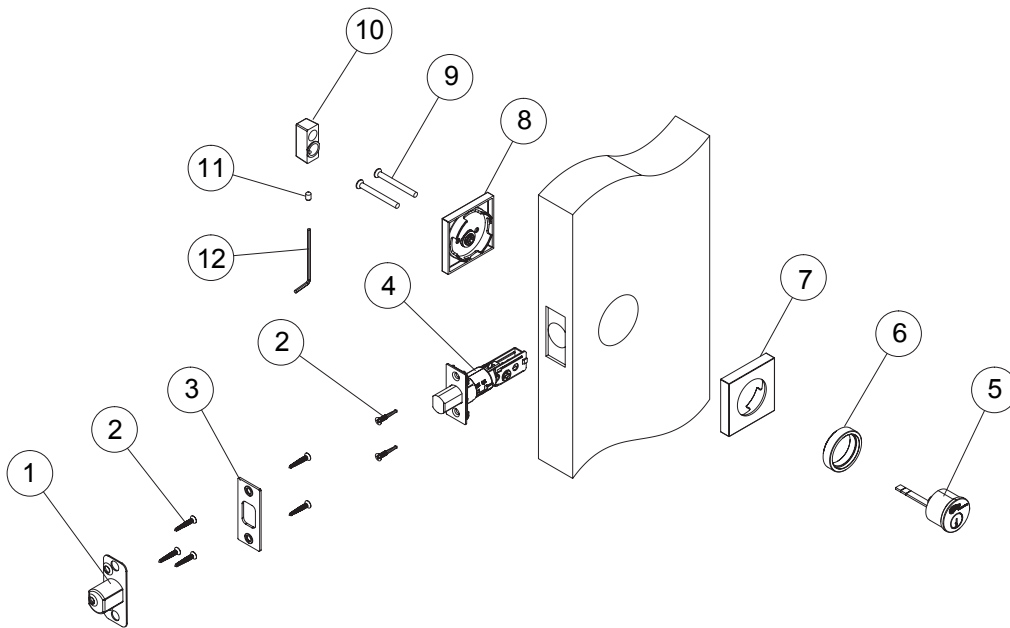
Items	No.	Parts Description	Function
			Mortise
Leverset	1	Outside / Inside Lever / Knob	2 ea
	2	Privacy Pin	1 ea
	3	Giro / Quadro Outside / Inside Rose Cover	2 ea
	4	Giro / Quadro Outside Inner Rose	1 ea
	5	Giro / Quadro Inside Inner Rose	1 ea
	6	8U32*40 Screw	2 ea
	7	M5x6 Set Screws	2 ea
	-	4*25 Wood Screw	—
	12	Hex Key	1 ea
	9	Mortise Lock body	1 ea
	10	Mortise Lock Face Plate	1 ea
	11	Face Plate screws with Mortise Lock	2 ea
	13	Mortise Lock Body screws	2 ea

EXPLODED DIAGRAM ESCUTCHEON WITH TUBULAR LATCH



Items	No.	Parts Description	Function			
			Entrance	Privacy	Passage	Dummy
Escutcheon Parts	1	Front Plate	1 ea	1 ea	1 ea	—
	2	Privacy Push Pin Release	—	1 ea	—	—
	3	Lever	2 ea	2 ea	2 ea	1 ea
	4	Hex Key	1 ea	1 ea	1 ea	1 ea
	5	Cylinder	1 ea	—	—	—
	6	Cylinder Ring	1 ea	—	—	—
	9	Cylinder Protective Plate	1 ea	—	—	—
	10	M5 x 50 Screws	2 ea	—	—	—
	11	Back Plate	1 ea	1 ea	1 ea	1 ea
	12	M6 x 40 Screws / 5*38 Wood Screws	2 ea	2 ea	2 ea	2 ea
	13	M5x6 Set Screws	2 ea	2 ea	2 ea	1 ea
	14	Privacy Pin	—	1 ea	—	—
Locks	7	Tubular Latch	1 ea	1 ea	1 ea	—
	8	Deadbolt	1 ea	—	—	—
	15	8U32x25 Combination Screws / 3.5x20 Wood Screws	8 ea	4 ea	4 ea	—
	16	Tubular Latch Striking Plate	1 ea	1 ea	1 ea	—
	17	Deadbolt Face Plate	1 ea	1 ea	1 ea	1 ea
	18	Tabular Latch Striking Plate	1 ea	1 ea	1 ea	—
	19	Deadbolt Striking Plate	1 ea	—	—	—
	20	Tubular Latch Dust Box	1 ea	1 ea	1 ea	—
	21	Deadbolt Dust Box	1 ea	—	—	—
	22	Anti-Pry Shield	1 ea	1 ea	1 ea	—

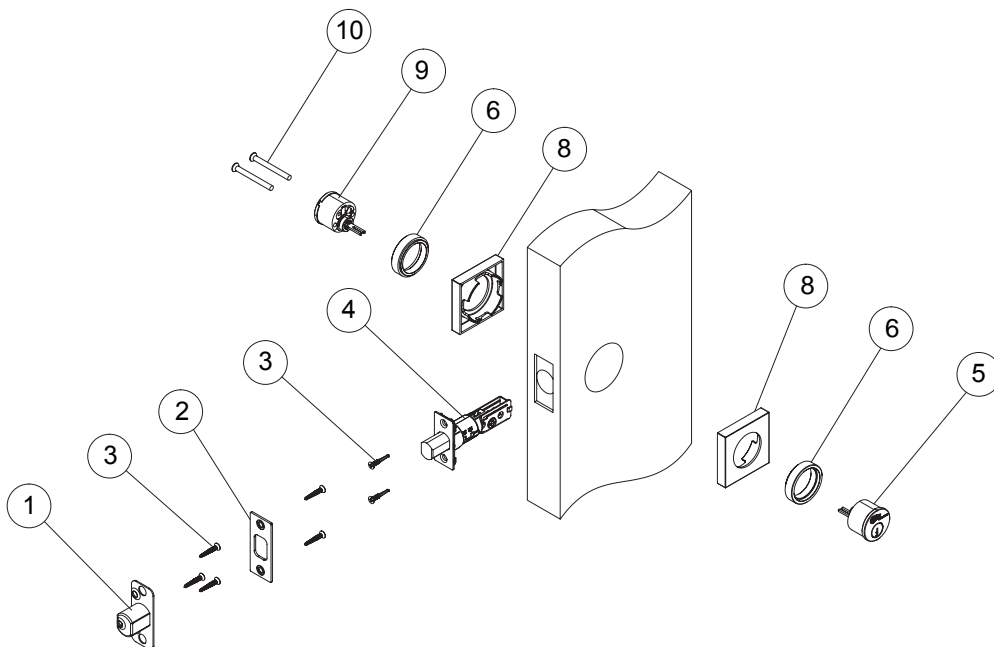
EXPLODED DIAGRAM SINGLE CYLINDER WITH DEADBOLT



Part List

1.	Deadbolt Dust Box
2.	5 x 76 Screws (2 ea)
3.	Deadbolt Striking Plate
4.	Deadbolt
5.	Outside Cylinder w/ Tailpiece
6.	Cylinder Ring
7.	Outside Cylinder Escutcheon
8.	Inside Deadbolt Escutcheon
9.	M5 x 65 Screw (2 ea)
10.	Thumbturn
11.	M5 x 6 Set Screw
12.	Hex Key

EXPLODED DIAGRAM DOUBLE CYLINDER WITH DEADBOLT



Part List

1.	Deadbolt Dust Box
2.	5 x 76 Screws (2 ea)
3.	Deadbolt Striking Plate
4.	Deadbolt
5.	Outside Cylinder w/ Tailpiece
6.	Cylinder Ring
7.	Outside Cylinder Escutcheon
8.	Inside Deadbolt Escutcheon
9.	Inside Cylinder w/ Tailpiece
10.	M5 x 6 Set Screw

MAINTENANCE

Cal-Royal Locksets were designed and manufactured to be maintenance-free under normal operating conditions and environments. Exposure to extremely heavy traffic and / or particularly dusty and dirty environmental conditions, however, may eventually cause unsatisfactory operation due to slow-moving parts or sticking cylinders. In this case, it may be necessary to clean and re-lubricate the lockset to maintain optimum performance.

Locksets

- To clean the lockset mechanism, use a non-corrosive substance or a penetrating or solvent type lubricant to loosen sticking components, then lubricate with lithium grease, silicone or teflon based lubricant
- Do not use lubricant in cylinder (oil or aerosol type)

Cylinders

- When a key becomes "sticky" in a cylinder, you may sprinkle a small amount of graphite onto the key and then insert the key inside the cylinder
- To free up sticking or jade cylinders, lubricate with graphite or a non-oily lubricant (such as Lock-EZE)
- Do not use petroleum-based lubricants in the cylinder keyway. WD-40 or oil will collect dirt over time, and a liquid might even freeze in the lock if weather is cold enough. Graphite is the coon choice, the powdered version of molybdenum disulfide would work as well
- Do not use lubricant in cylinder (oil or aerosol type)

STAINLESS STEEL - CARE & MAINTENANCE GUIDE

Stainless steel is a high class material which guarantees longevity and minimal wear. However, stainless steel does not mean "stain" free. It can weather a lot of corrosive environment, but will inevitably succumb to some form of corrosion, including patch rusts.

The main difference between a stainless steel and carbon steel is the amount of chromium present. Carbon steel rusts immediately when exposed to air and moisture. It may take longer for stainless steel to corrode, but it will definitely do if not properly maintained.

We recommend cleaning with available commercial cleansing agents. Avoid using steel wool, steel brushes or similar accessories when cleaning as these harm the protective surface and extraneous rust may arise from the abrasion.

Some commercial products are also available that provides a non-stick protective coating that seals the surface, allowing for easier cleaning and maintenance like:

- EnduroShield Stainless Steel Coating
- Sprayon Stainless Steel Protective Coating
- ProtectaClear, by Everbrite

NOTE: Cal-Royal does not sell these products.

PRODUCT WARRANTY

MERCHANDISE WARRANTY

Goods are warranted against defects in manufacture for one year. The company makes no other warranty, and all implied warranties including any warranty of merchantability or fitness for a particular purpose are limited to the duration of the expressed warranty period as set forth above.

The company's maximum liability hereunder is limited to the purchase price of the products, in no event shall the company be liable for any consequential, indirect, incidental or special damages of any nature arising from the sale or use of this product, whether in contract, tort, strict liability or otherwise.

Products will not be accepted for repair or replacement under this warranty unless we have given prior authorization for their return. Upon receipt of products returned for repair or replacement we will determine whether products qualify for repair or replacement under this warranty; if they do not, we will notify our customer of estimated costs of repair or replacement involved and will obtain authorization prior to proceeding. We have no liability to pay any costs of repair performed by anyone other than us, unless in each instance we have given prior written approval of such repair in which case we will pay what we consider to be the reasonable cost thereof.








Replacement Cylinders

Features:

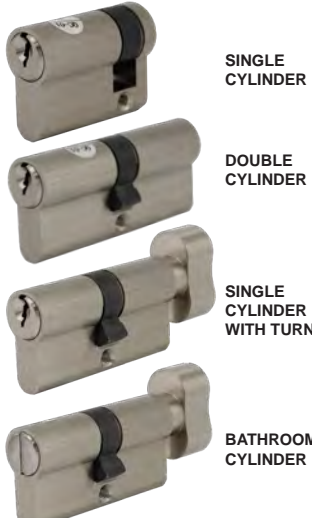
- Made to Original Manufacturers' Keying Specifications
- Can be keyed with original pins
- All Cylinders drilled for 6-Pins
- Packed with appropriate accessories

KEY-IN-KNOB / LEVER & DEADBOLT CYLINDER (Packed with tailpiece assortment pack)				
ILLUSTRATION	ITEM#	DESCRIPTION	KEYED	FINISH
	KKARA-4	6-Pin Arrow "A"	5-Pin	US26D
	KKC59-4	6-Pin Corbin 60 Russwin 59	5-Pin	
	KKCL4-4	6-Pin Corbin L1 thru L4	6-Pin	
	KKKW5-4	6-Pin Kwikset	5-Pin	
	KKR-D1-4	6-Pin Russwin D-1 thru 4	6-Pin	
	KKSCC-4	6-Pin Schlage "C"	6-Pin	
	KKSCE-4	6-Pin Schlage "E"	6-Pin	
	KKSCF-4	6-Pin Schlage "F"	6-Pin	
	KKSCP-4	6-Pin Schlage C-K	5-Pin	
	KKSLA-4	6-Pin Sargent "LA" thru "LC"	6-Pin	
	KKSRA-4	6-Pin Sargent "RA"	6-Pin	
	KKWFE-4	6-Pin Weiser / Falcon "E"	5-Pin	
	KKYA8-4	6-Pin Yale 8 (E1R)	5-Pin	
	KKYGA-4	6-Pin Yale "GA"	6-Pin	
1-1/4" MORTISE CYLINDERS (Packed with Adams Rite and Yale Cams)				
	KMARA-4	6-Pin Arrow "A"	5-Pin	US26D
	KMC59-4	6-Pin Corbin 60 Russwin 59	5-Pin	
	KMCL4-4	6-Pin Corbin L1 thru L4	6-Pin	
	KMKW5-4	6-Pin Kwikset	5-Pin	
	KMRD1-4	6-Pin Russwin D-1 thru 4	6-Pin	
	KMSCC-4	6-Pin Schlage "C"	6-Pin	
	KMSCE-4	6-Pin Schlage "E"	6-Pin	
	KMSCF-4	6-Pin Schlage "F"	6-Pin	
	KMSCP-4	6-Pin Schlage C-K	5-Pin	
	KMSLA-4	6-Pin Sargent "LA" thru "LC"	6-Pin	
	KMSRA-4	6-Pin Sargent "RA"	6-Pin	
	KMWFE-4	6-Pin Weiser / Falcon "E"	5-Pin	
	KMYA8-4	6-Pin Yale 8 (E1R)	5-Pin	
	KMYGA-4	6-Pin Yale "GA"	6-Pin	
RIM CYLINDERS				
	KR-AR-A	Arrow "A"	5-Pin	US26D
	KR-C-59	Corbin 60 Russwin 59	5-Pin	
	KR-C-L4	Corbin L1 thru L4	6-Pin	
	KR-KW-5	Kwikset	5-Pin	
	KR-R-D1	Russwin D-1 thru 4	6-Pin	
	KR-SC-C	Schlage "C"	6-Pin	
	KR-SC-E	Schlage "E"	6-Pin	
	KR-SC-F	Schlage "F"	6-Pin	
	KR-SC-P	Schlage C-K	5-Pin	
	KR-S-LA	Sargent "LA" thru "LC"	6-Pin	
	KR-S-RA	Sargent "RA"	6-Pin	
	KR-WF-E	Weiser / Falcon "E"	5-Pin	
	KR-YA-8	Yale 8 (E1R)	5-Pin	
	KR-Y-GA	Yale "GA"	6-Pin	

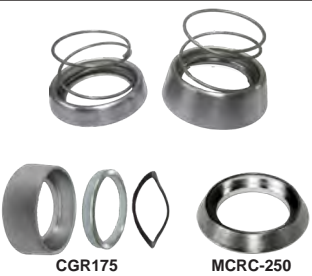
6 PIN SCHLAGE "C" KEYWAY MORTISE AND RIM CYLINDERS

ILLUSTRATION	ITEM NO	DESCRIPTION	FINISH
	CX96RIM	6-Pin SCHLAGE "C" keyway 1 1/8" Rim Cylinder with mounting plate & screws	US26D, US10B, 3
	AMORTCYL118	6-Pin SCHLAGE "C" Keyway Mortise Cylinder 1 1/8" length, with Adams Rite Cam	
	AMORTCYL114	6-Pin SCHLAGE "C" Keyway Mortise Cylinder 1 1/4" length, with Adams Rite Cam	
	CMORTCYL118	6-Pin SCHLAGE "C" Keyway Mortise Cylinder 1 1/8" length, with CLOVER LEAF cam	
	CMORTCYL114	6-Pin SCHLAGE "C" Keyway Mortise Cylinder 1 1/4" length, with CLOVER LEAF cam	
	THMBMORT100	1" Mortise Cylinder with Thumbturn	
	BLNKMORT100	1" Blank Mortise Cylinder	

6 PIN SCHLAGE "C" KEYWAY EUROPEAN PROFILE MORTISE CYLINDERS

 <p>SINGLE CYLINDER</p> <p>DOUBLE CYLINDER</p> <p>SINGLE CYLINDER WITH TURN</p> <p>BATHROOM CYLINDER</p>	KE-SCC-S-A	Single Cylinder 45mm Schlage "C", 6-pin rekeyable	US15
	KE-SCC-D-C	Double Cylinder 60mm Schlage "C", 6-pin rekeyable	
	KE-SCC-D-D	Double Cylinder 70mm Schlage "C", 6-pin rekeyable	
	KE-SCC-C-C	Single Cylinder with turn 60mm Schlage "C", 6-pin rekeyable	
	KE-SCC-C-D	Single Cylinder with turn 70mm Schlage "C", 6-pin rekeyable	
	KE-P-C	Bathroom Cylinder 60mm	
	KE-P-D	Bathroom Cylinder 70mm	

MORTISE CYLINDER ACCESSORIES

 <p>MCCR1814</p> <p>MCCR3812</p> <p>CGR175</p> <p>MCRC-250</p>	MCCR1814	Mortise Cylinder Compression Ring 1/8" to 1/4"	US26D, US10B, 3
	MCCR3812	Mortise Cylinder Compression Ring 3/8" to 1/2"	
	CGR175	Cylinder Guard Ring 1 3/4" base and 1/2" projection with Wave Washer and Spacing Collar	US26D, US10B, US3, 4
	MCRC-250	Free-Spinning Cylinder Guard Ring 1/4"	US3, 15, US26D, US10B

STANDARD MORTISE CAMS

												
KC-C1 ADAMS RITE	KC-C3 YALE	KC-C4 RUSSWIN	KC-C5 NM SERIES	KC-C8 SCHLAGE L	KC-C9 SARGENT	KC-S1 ADAMS RITE	KC-S3 YALE MORTISE	KC-S4 RUSSWIN	KC-S5 FALCON	KC-S6 CRP PANIC TRIM	KC-S7 SC SERIES	KC-S9 SARGENT

Best / Falcon 6 & 7 Pin Small Format Interchangeable Cores and Key Blanks (SFIC) Key Sections (A, B, C, D, E, F, G, H, J, K, L, M, Q, TB)

*All above Keyways in stock for immediate shipment

Features:


- Operates on **Best / Falcon small format interchangeable cores** locksets, deadbolts, rim and mortise cylinders
 - Operates on all of Cal-Royal's keyed locksets prepared for small format
- Best/ Falcon A, B, C, D, E, F, G, H, J, K, L, M, Q, TB Keyways**


BEST / FALCON 6 & 7 PIN SMALL FORMAT INTERCHANGEABLE CORES & KEY BLANK					
ILLUSTRATION	KEY SECTIONS	UNCOMBINATED	MASTER KEYED	KEY BLANKS	FINISH
6 PIN MASTER KEYED 6 PIN UNCOMBINATED 7 PIN MASTER KEYED 7 PIN UNCOMBINATED 		*6PUC A (6-Pins)	6PCCA-MK (6-Pins)	KBSF-A	US26D, US4
		*7PUC A (7-Pins)	7PCC A-MK (7-Pins)	KBSF-A	
		7PUC B (7-Pins)	7PCC B-MK (7-Pins)	KBSF-B	
		7PUC C (7-Pins)	7PCC C-MK (7-Pins)	KBSF-C	
		7PUC D (7-Pins)	7PCC D-MK (7-Pins)	KBSF-D	
		7PUC E (7-Pins)	7PCC E-MK (7-Pins)	KBSF-E	
		7PUC F (7-Pins)	7PCC F-MK (7-Pins)	KBSF-F	
		7PUC G (7-Pins)	7PCC G-MK (7-Pins)	KBSF-G	
		7PUC H (7-Pins)	7PCC H-MK (7-Pins)	KBSF-H	
		7PUC J (7-Pins)	7PCC J-MK (7-Pins)	KBSF-J	
		7PUC K (7-Pins)	7PCC K-MK (7-Pins)	KBSF-K	
		7PUC L (7-Pins)	7PCC L-MK (7-Pins)	KBSF-L	
7PUC M (7-Pins)		7PCC M-MK (7-Pins)	KBSF-M		
7PUC Q (7-Pins)		7PCC Q-MK (7-Pins)	KBSF-Q		
		7PUC TB (7-Pins)	7PCC TB-MK (7-Pins)	KBSF-TB	
	6PCC-KD	Best, Falcon and Arrow Small Format. 6-Pin Interchangeable Core, Rim and Mortise Cylinder.		US26D, US4	
	7PCC-KD	Best, Falcon and Arrow Small Format. 7-Pin Interchangeable Core, Rim and Mortise Cylinder.			
	ICCC	Temporary 6-Pin construction cores			
	ICCC7	Temporary 7-Pin construction cores			
	ICPTT	Plastic thumbturns available for non-secured areas			BLACK
BEST, FALCON AND ARROW 6 / 7 PIN SMALL FORMAT INTERCHANGEABLE CORE MORTISE AND RIM CYLINDER					
	308-602	Best, Falcon and Arrow 6 / 7-Pin Small Format Interchangeable Core Rim Cylinder with mounting plate & screws			US26D, US10B, US3
	307-601	Best, Falcon and Arrow 6 / 7-Pin Small Format Interchangeable Core Mortise Cylinder with Adams Rite Cam, 1 1/4" length			
	ICH961387	Best, Falcon and Arrow 6 / 7-Pin Small Format Interchangeable Core Mortise Cylinder, Cloverleaf Cam 1 1/4" length, To be used with Cal-Royal NM Series Mortise locks			

Large Format 6 Pin Interchangeable Core and Housing (LFIC)

Features:

- Operates on all Schlage, Sargent LA-LB-LC, Russwin D1-D2-D3-D4, Yale GA large format interchangeable cores locksets, deadbolts, rim and mortise cylinders.

LARGE FORMAT 6 PIN INTERCHANGEABLE CORE CYLINDERS			
ILLUSTRATION	ITEM#	DESCRIPTION	FINISH
	3000 ICC	6-Pin "C" keyway combined SCHLAGE large format IC core cylinder KA# 111111 with "C" key blanks	US26D, 4
	4000 ICCK	6-Pin "C-K" keyway combined SCHLAGE large format IC core cylinder KA# 111111 with "E" key blanks	
	5000 ICE	6-Pin "E" keyway combined SCHLAGE large format IC core cylinder KA# 111111 with "E" key blanks	
	1000 ICC	6-Pin "C" keyway combined SCHLAGE large format IC core cylinder KD and MK	
	2000 ICC	Temporary 6-Pin Construction Cores (Keyed Alike) will be charged on a separate memo billing for 6 months. On return to the factory credit will be issued.	
	KL-LAD-SA	SARGENT LA-LB-LC LFIC 6-Pin Uncombined	
	KL-RD1-CR	RUSSWIN / CORBIN D1-D2-D3-D4 LFIC 6-Pin Uncombined	
	KL-YGA-YA	YALE GA LFIC 6-Pin Uncombined	

LARGE FORMAT 6 PIN INTERCHANGEABLE CORE MORTISE AND RIM CYLINDER HOUSING			
	6000 ICMA	SCHLAGE Large format Interchangeable Core Mortise cylinder housing with Adams Rite Cam 1 1/2" long	US26D, US10B, 3
	7000 ICMC	SCHLAGE Large format Interchangeable Core Mortise cylinder housing with Cloverleaf Cam 1 1/2" long. To be used with Cal-Royal NM Series Mortise locks	
	8000 ICRIM	SCHLAGE Large format Interchangeable Core rim cylinder housing with mounting plate and screw	
	KM-LFH-SA	SARGENT Large format Interchangeable Core Mortise cylinder housing with Adams Rite Cam 1 1/2" long. Optional rim pack, 26D only (See Price Book page L106)	
	KM-LFH-CR	CORBIN/RUSSWIN Large format Interchangeable Core Mortise cylinder housing with Adams Rite Cam 1 1/2" long. Optional rim pack, 26D only (See Price Book page L106)	
	KM-LFH-YA	YALE Large format Interchangeable Core Mortise cylinder housing with Adams Rite Cam 1 1/2" long. Optional rim pack, 26D only (See Price Book page L106)	

RESTRICTED KEY CONTROL USING CONVENTIONAL REPLACEMENT CYLINDERS (TIER 3)

Tier 3 Conventional Replacement Cylinders

Provide restricted key control by utilizing the HSK Patented key system, without the cost of anti pick drill and bump features. Tier 3 cylinders can be incorporated into HSK Tier 1 & 2 Master Key and Key systems. HSK Tier 1 & 2 keys will work in Tier 3 cylinders however Tier 3 keys will not work in Tier 1 & 2 HSK Cylinders. Tier 3 keys are covered under our patented key system.

Tier 2 High Security Cylinders

Have anti-pick, anti-drill and anti-bump features without the UL 437 Certification. See HSK Section.

Tier 1 (UL 437) High Security Cylinders

Have anti pick, anti drill and anti bump features incorporated and have the UL 437 Certification. See HSK Section.

RESTRICTED KEY CONTROL REPLACEMENT CYLINDERS		
KEY-IN-KNOB-LEVER CYLINDERS	SMALL FORMAT IC CYLINDERS	MORTISE CYLINDERS
		
<p>KKCRL-6 Key-In-Knob / Lever Replacement Cylinder 6-Pin "0 Bitted" Includes:</p> <ul style="list-style-type: none"> Standard Key / Lever Tailpiece (other tailpieces available) 2 keys (See Note B) 	<p>7PUCRS Uncombined Small Format Interchangeable Core Conventional SFIC, 7-Pin</p> <ul style="list-style-type: none"> Does not include keys See Note C 	<p>KMCRL-4 1 1/4" 6-Pin "0 Bitted" Mortise Cylinder.</p> <ul style="list-style-type: none"> Cylinder comes with Adams Rite Cam - other cams are available as HSK. 2 keys Optional Rim Conversion Package Available See Note B & Note E
SINGLE CYLINDER DEADBOLT KITS	DOUBLE CYLINDER DEADBOLT KITS	MORTISE / RIM COMBO CYLINDER KITS
		
<p>KKCRLSD-6 Single Cylinder Deadbolt Replacement Cylinder 6-Pin "0 Bitted" Includes:</p> <ul style="list-style-type: none"> 2 keys (See Note B) 	<p>KKCRLDD-6 Double Cylinder Deadbolt Replacement Cylinder (2 required) 6-Pin "0 Bitted" Includes:</p> <ul style="list-style-type: none"> 2 keys (See Note B) 	<p>KRCRL-6 1 1/4", 6-Pin "0 Bitted" Mortise Cylinder w/ Rim Conversion Package Cylinder comes with Adams Rite Cam Includes:</p> <ul style="list-style-type: none"> 2 keys (See Note B)
KEY BLANKS	NOTES	
 <p>KBCRL-6 Key blanks for use with Full Size replacement cylinders</p> <p>KBCRS-7 Key blanks for use with 7PUCRS Small Format Interchangeable Cores.</p>	<p>Notes</p> <ol style="list-style-type: none"> HSK Tier 1 and 2 Keys will operate with Tier 3 Replacement Cylinders, however the Tier 3 keys will not operate in the Tier 1 and Tier 2 High Security Cylinders. Pinning on Full Size Cylinders (CRL) is the same as Schlage, Pins, Depths & Spacing. No special pinning kits required. For pin spacing, use Scorpion HPC CX5 Card. See page 102 for Scorpion Card. Pinning on SFIC Cores (7PUC) is the same as Best, Falcon, Pins and Depth. No special pinning kits required. Cutting keys will have to be done on code machines or duplicators. These keys cannot be cut on punches. Tier 1, 2 & 3 Mortise Cylinders use the same Cams. To order other cams see HSK Cam Sheet. Optional Rim Pack is also sold separately. Part # is "Rim Pack." (Converts Mortise Cylinder to Rim Cylinder) 	

The CRP Securities High Security Key (HSK) System utilizes the innovative Sidebar technology to bring superior and manageable Key Control. Together with distinct keyways and controlled means of key blank distribution, the Sidebar offers a superior level of Key Control Management. Keys can be cut on any standard duplicating and code cutting machines. All cylinders can be master keyed (MK), keyed-alike (KA) and keyed-different (KD). Schlage pins and depths for spacing use HPC CX5 Scorpion Card. On SFIC Cards use Best, Falcon, Pins, Depths and Spacing.

The HSK System is designed for use in institutions, schools, hospitals, banks and all commercial and residential applications. The Sidebar series keyway is a proprietary design that is distributed in a controlled manner. Card control is implemented which requires authorized signature for valid duplication. We offer a cost-effective level of security comparable to other expensive high security control systems.

Maximum pick resistance is assured in HSK Systems with the utilization of anti-picking side pins and random mushroom top pins secured by cap screws. Standard cylinders are equipped with 2 hardened steel pins (up to 10 for UL-Listed) in the cylinder plug face for the ultimate in drill resistance. This protects the top and bottom pins and the sidebar from drilling attack.

MEETS
The Buy American Act

EXCLUSIVE SIDE BAR TECHNOLOGY			
Unique floating side bar pins Exclusive Keyways Patented Cylinder and Key		Pick-Resistant Spool Pins Anti-Drill Hardened Steel Pins Hardened Silver Nickel Side Bar	
KEY-IN-KNOB-LEVER CYLINDERS	SMALL FORMAT IC CYLINDERS	LARGE FORMAT IC CYLINDERS	MORTISE / RIM COMBO CYLINDERS
KIKL5 / KIKL6 Deadbolt/Knob/Lever, 5-Pin and 6-Pin, Universal tailpieces for locksets and deadbolts ULKIKL UL 437- Listed for 6-Pin, Universal tailpieces for locksets and deadbolts	SFIC7 Small Format, 7-Pin ANSFIC7 ANSI/BHMA A156.30 Certified Small Format, 7-Pin	LFIC6 Schlage Large Format 6-Pin ULLFIC6 UL 437- Listed Schlage Large Format 6-Pin	MRC118 - 1 1/8", 6-Pin ULMRC118 - UL 437- Listed, 1 1/8", 6-Pin MRC114 - 1 1/4", 6-Pin ULMRC114 - UL 437- Listed, 1 1/4", 6-Pin Mortise-Rim combination
Optional Keyed Different (KD), Keyed Alike (KA), Master Keyed (MK) and 0-bitted (0B)			
KEY BLANKS AND CONTROL KEYS	SFIC HOUSING	LFIC HOUSING	
KBL6 - 6-Pin Key Blank, Standard & Large Format KBLSF7 - 7-Pin Small Format Key Blank (SFIC) KCK6 - 6-Pin Large Format IC control key (LFIC)	<p>HPC CX5 Scorpion Card</p>	MRCSFIC-1-H Small Format IC Housing for SFIC7 and ULSFIC7 MRCLFIC-2-H Large Format IC Housing For Schlage Large Format IC LFIC6 and ULLFIC6	

KEY-IN-KNOB / LEVER (KIKL)

MEETS
The Buy American Act

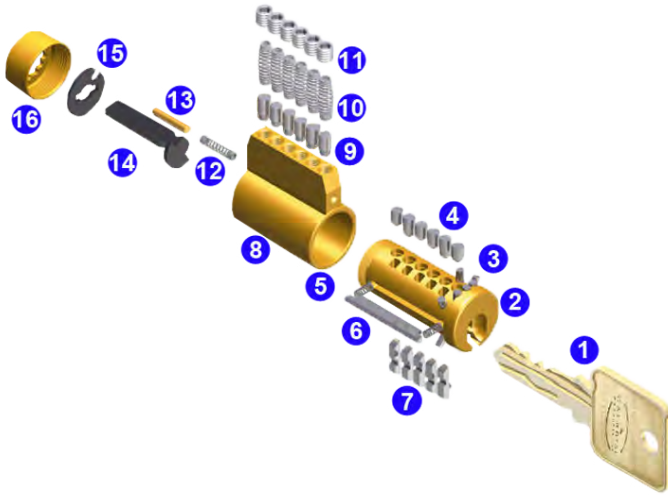
- ANSI / BHMA A156.30 Certified
- UL 437 – Listed
- Retrofits all CRP-Securities cylindrical locksets and deadbolts including other popular brand names
- Unique floating sidebar pins

- Patented Cylinder plug and Key
- Exclusive Keyways
- Pick-Resistant Spool Pins
- Hardened Silver Nickel Side Bar

- 0-Bitted or Keyed Different
- Anti-Drill Hardened Steel Pins (2 – Standard, 9 – UL)
- Comes standard with different tailpieces for universal application and 2 keys

ITEM CODE	DESCRIPTION
KIKL5	Universal 5-Pin Grade 3 Key-In-Knob-Lever Cylinder
KIKL6	Universal 6-Pin Key-In-Knob-Lever Cylinder
ULKIKL6	UL 437- Listed Universal 6-Pin Key-In-Knob-Lever Cylinder

PART NO	PARTS DESCRIPTION	QTY		PART NO	PARTS DESCRIPTION	QTY
		KIKL	MRCC			
1	Key	2	2	17	Cylinder Cover	-
2	Plug	1	1	18	Sleeve	-
3	Anti-Drill Pin	*	*	19	Snap Ring	-
4	Bottom Pin	6	6	20	Plug Control Pin	-
5	Sidebar Pin	2	2	21	Pin Cover	-
6	Sidebar	1	1	22	Operation Hang Pin	-
7	Side Pin	5***	5	23	Cylinder Control Pin	-
8	Cylinder Housing	1	1	24	Operation Pin Spring	-
9	Top Pin	6**	6	25	Operation Spring	-
10	Top Pin Spring	6**	6	26	Cam	1
11	Cap Set Screw	6**	6	27	Cam Screw	1
12	Screw Cap Spring	1	-	28	Plate	1
13	Screw Cap Pin	1	-	29	Steel Ball	2
14	Tail Piece	9	1	30	Bolt	2
15	Washer	1	1	31	Screw	2
16	Screw Cap	2	-			



* Number of Anti-Drill Pins dependent on cylinder type (2 for Standard, 9 for UL)
 ** 5 for KIKL5
 *** 4 for KIKL5

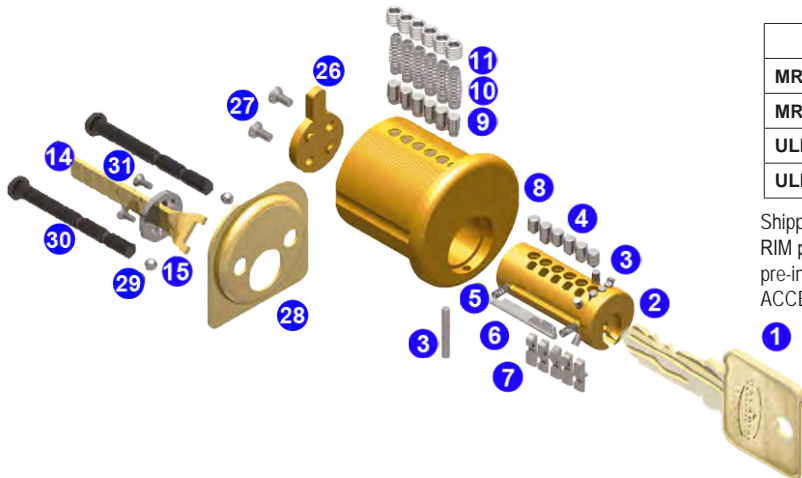
MORTISE-RIM COMBO CYLINDER (MRCC)

MEETS
The Buy American Act

- ANSI / BHMA A156.30 Certified
- UL 437 – Listed
- 1 1/8" and 1 1/4" Mortise and Rim combination saves stocking space and inventory
- Hardened Silver Nickel Side Bar
- Pick-Resistant Spool Pins

- Cylinder rings available for 1" cylinder requirements using MRCC114 or MRC118
- Unique floating sidebar pins
- Exclusive Keyways

- 0-Bitted or Keyed Different
- Anti-Drill Hardened Steel Pins (3 – Standard, 10 – UL)
- Comes standard with 2 keys
- Patented Cylinder and Key



ITEM CODE	DESCRIPTION
MRC114	6-Pin 1 1/4" Mortise-Rim Combination Cylinder
MRC118	6-Pin 1 1/8" Mortise-Rim Combination Cylinder
ULMRC114	UL 437 - Listed 6-Pin 1 1/4" Mortise-Rim Combination Cylinder
ULMRC118	UL 437 - Listed 6-Pin 1 1/8" Mortise-Rim Combination Cylinder

Shipped as a mortise cylinder this is convertible to a RIM cylinder with the standard RIM pack included with the 1 1/4" and 1 1/8" mortise cylinder. An "Adams Rite" cam is pre-installed on all mortise cylinders. Other cam options are available in the KITS & ACCESSORIES section.

SMALL FORMAT INTERCHANGEABLE CORE (SFIC) CYLINDERS

MEETS
The Buy American Act

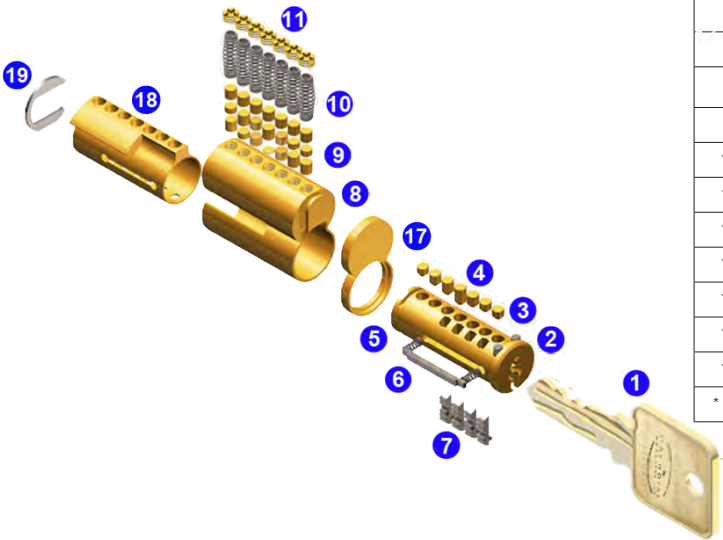
The Small Format Interchangeable Core (SFIC) cylinders are comparable to other popular SFIC in the market such as “BEST” when it comes to functionality, but with the added security of the sidebar mechanism. The location of the sidebar mechanism is inside the plug of the core, so there is no need to dismantle it to combine or pin the cylinder.

- ANSI / BHMA A156.30 Certified
- Retrofits all CRP-Securities cylindrical locksets and deadbolts including other popular brand names
- Unique floating sidebar pins
- Patented Cylinder and Key
- Exclusive Keyways
- Pick-Resistant Spool Pins
- Hardened Silver Nickel Side Bar
- 0-Bitted or Keyed Different
- Anti-Drill Hardened Steel Pins
- (2 – Standard, 4 – UL)
- Comes standard with 2 keys

ITEM CODE	DESCRIPTION
SFIC7	7-Pin Small Format Interchangeable Core Cylinder
ANSFIC7	ANSI / BHMA A156.30 Certified 7-Pin Small Format Interchangeable Core Cylinder

PART NO	PARTS DESCRIPTION	QTY		PART NO	PARTS DESCRIPTION	QTY	
		SFIC	LFIC			SFIC	LFIC
1	Key	2	2	17	Cylinder Cover	1	1
2	Plug	1	1	18	Sleeve	1	-
3	Anti-Drill Pin	*	*	19	Snap Ring	1	-
4	Bottom Pin	7	6	20	Plug Control Pin	-	1
5	Side Bar Pin	2	2	21	Pin Cover	-	1
6	Side Bar	1	1	22	Operation Hang Pin	-	1
7	Side Pin	4	5	23	Cylinder Control Pin	-	1
8	Cylinder Housing	1	1	24	Operation Pin Spring	-	1
9	Top Pin	21	6	25	Operation Spring	-	1
10	Top Pin Spring	7	6	26	Cam	-	-
11	Cap Set Screw	7	-	27	Cam Screw	-	-
12	Screw Cap Spring	-	1	28	Plate	-	-
13	Screw Cap Pin	-	1	29	Steel Ball	-	-
14	Tail Piece	-	-	30	Bolt	-	-
15	Washer	-	-	31	Screw	-	-
16	Screw Cap	-	1				

* Number of Anti-Drill Pins dependent on cylinder type (2 for Standard, 4 for UL)

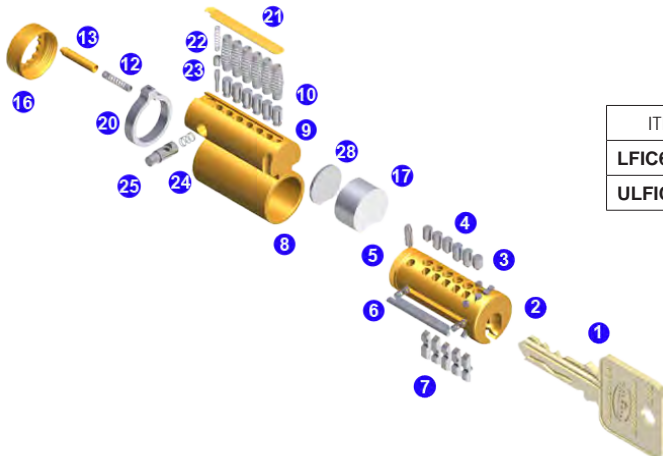


LARGE FORMAT INTERCHANGEABLE CORE (LFIC) CYLINDERS

MEETS
The Buy American Act

The Large Format Interchangeable Core (LFIC) cylinders are configured as “Schlage” format. It comes in a 6-Pin configuration.

- UL 437 – Listed
- Retrofits all CRP-Securities cylindrical locksets and deadbolts including other popular brand names
- Hardened Silver Nickel Side Bar
- Exclusive Keyways
- Pick-Resistant Spool Pins
- Patented Cylinder and Key
- Unique floating side bar pins
- 0-Bitted or Keyed Different
- Anti-Drill Hardened Steel Pins
- (2 – Standard, 9 – UL)
- Comes standard with 2 keys



ITEM CODE	DESCRIPTION
LFIC6	6-Pin Schlage Large Format Interchangeable Core Cylinder
ULFIC6	UL 437 - Listed 6-Pin Schlage Large Format Interchangeable Core Cylinder

SMALL FORMAT AND LARGE FORMAT INTERCHANGEABLE CORE CYLINDER HOUSING

MEETS
The Buy American Act



MRCSFIC-1-H
Small Format IC Housing
for SFIC7 and ULSFIC7



MRCLFIC-2-H
Large Format IC Housing
for Schlage LFIC6 and ULSFIC7

HSCRB800 AND HSCRB700 SERIES GRADE 1 HEAVY DUTY HIGH SECURITY DEADBOLT

MEETS
The Buy American Act

- Commercial and Residential Application
- Meets ADA requirements specially designed for Barrier Free Application
- Exceeds BHMA / ANSI A156.5 Series 4000, Grade 1 requirements
- ADA Ergonomic Thumbturn
- Available as Single or Double Cylinder
- Free turning, wrench-resistant tapered cylinder ring
- 1" (25mm) throw high-strength steel alloy deadbolt with anti-saw
- Steel mounting plate
- TRIM: Wrought Brass or Stainless Steel
- FACE PLATE: Standard 2 1/4" X 1 1/8"
- DOOR RANGES: Adjustable 1 3/8" (40mm) to 2" (51mm) door thickness
- BORE DIAMETER: 1" for latch, 2 1/8" for lock housing
- STRIKE: 1/8" X 2 3/4" square corner
- Extra security 1" throw bolt with 1/4" free spinning anti-cut through pin
- 2 pcs x 3" screws with wood frame reinforcer greatly strengthens door frames



HSCRB800
SINGLE CYLINDER DEADBOLT



HSCRB700
DOUBLE CYLINDER DEADBOLT

ALSO AVAILABLE FOR GRADE 2 DEADBOLT CYLINDERS



HSULT360



HSULT362



HSCB160



HSCB162

KEY BLANKS AND CONTROL KEYS

ITEM CODE	DESCRIPTION
KBL5	5-Pin key blank
KBL6	6-Pin key blank
KBLSF7	7-Pin Small Format IC key blank
KCK6	6-Pin Large Format IC control key



MEETS
The Buy American Act



KZHSK COT
Drive Pin Cut Off Tool

ACCESSORIES

MORTISE AND KIKL COMPONENTS (UL - LISTED)

	ULCAMADAM-1	ULCAMYALE-2	ULCAMYALE-2A	ULCAMRUSS-3	ULCAMFLCN-4	ULCAMSCHL-7	ULCAMSGNT-8	ULMSHRMTPIN	ALLNSCRW-SS
SSBPIN0	SSBPIN1	SSBPIN2	SSBPIN3	SSBPIN4	SSBPIN5	SSBPIN6	SSBPIN7	SSBPIN8	SSBPIN9

MORTISE AND KIKL COMPONENTS (NON-UL)

SPIN1	SPIN2	SPIN3	SPIN4	SIDEBAR-1	SIDEBARSPRING	LZTPSD-01	LZTPDD-01	LZTPDD-02
KIKLZTP-01	KIKLZTP-02	KIKLZTP-03	KIKLZTP-04	KIKLZTP-05	KIKLZTP-06	TPWASHER	MSHRMTPIN	
KIKLCAP-01	KIKLCAP-02	KIKPIN	KIKPINSRING	RIMPACK	ALLNSCRW-BLK	KIKSPRING	MRTPINSRING	
CAMADAM-1	CAMYALE-2	CAMYALE-2A	CAMRUSS-3	CAMFLCN-4	CAMSCHL-7	CAMSGNT-8	CAMSCREW	

LFC COMPONENTS

LFCAMADAM-1	LFCAMYALE-2	LFCAMYALE-2A	LFCAMRUSS-3	LFCAMFLCN-4	LFCAMSCHL-7	LFCAMSCRW

SFIC COMPONENTS

SFICWPIN1	SFICSPIN2	SFICSPIN3	SFICSIDEBAR	SFICBSBSPR	SFICCLIP	SFICALLNSCRW	SFICSPR

CRP COMBINATION “COMBI” KEY CONTROL CYLINDER PROGRAM

COMBI is a new key system developed by Cal-Royal Products, Inc. and CRP Securities to resolve key systems using different lock manufacturers’ products to work together. Using patented keyway design, it allows for existing keying systems of different lock manufacturers to be integrated into one keyway, while maintaining existing hierarchy of key control and key combinations.

CRP COMBI CYLINDER PROGRAM			
KEY-IN-KNOB-LEVER CYLINDERS	SMALL FORMAT IC CYLINDERS	MORTISE CYLINDERS	
			
<p>KK-COS-NS Key-In-Knob / Lever Replacement Cylinder 6-Pin “0-bitted” Includes:</p> <ul style="list-style-type: none"> • Standard Key / Lever Tailpiece (other tailpieces available) • 2 keys • See Note A below for pinning info 	<p>6PUC0-COS Uncombined Small Format Interchangeable Core Conventional SFIC, 6-Pin</p> <ul style="list-style-type: none"> • Does not include keys See Note B below for pinning info 	<p>KM-COS-4 1 ¼” 6-Pin “0-bitted” Mortise Cylinder.</p> <ul style="list-style-type: none"> • Cylinder comes with Adams Rite Cam - other cams are available as HSK. • 2 keys • Optional Rim Conversion Package Available • See Note A below for pinning info 	
LARGE FORMAT INTERCHANGEABLE CORES			
SCHLAGE	YALE	SARGENT	CORBIN/RUSSWIN
			
<p>KL-COS-SC Schlage Large Format 6-Pin “0-bitted” Includes:</p> <ul style="list-style-type: none"> • 2 keys • See Note A below for pinning info 	<p>KL-COS-YA Yale Large Format 6-Pin “0-bitted” Includes:</p> <ul style="list-style-type: none"> • 2 keys • See Note A below for pinning info 	<p>KL-COS-SA Sargent Large Format 6-Pin “0-bitted” Includes:</p> <ul style="list-style-type: none"> • 2 keys • See Note A below for pinning info 	<p>KL-COS-CR Corbin / Russwin Large Format 6-Pin “0-bitted” Includes:</p> <ul style="list-style-type: none"> • 2 keys • See Note A below for pinning info
EUROPEAN PROFILE CYLINDERS			
HALF CYLINDER	DOUBLE CYLINDER	CYLINDER X THUMBTURN	
			
<p>KE-COS-S</p> <ul style="list-style-type: none"> • 1 ¾” (45mm) length, 6-Pin standard • Base material: Brass <p>Includes:</p> <ul style="list-style-type: none"> • 2 keys • See Note A below for pinning info 	<p>KE-COS-D</p> <ul style="list-style-type: none"> • 2 ¼” (70mm) length, 6-Pin standard • Base material: Brass <p>Includes:</p> <ul style="list-style-type: none"> • 2 keys • See Note A below for pinning info 	<p>KE-COS-C</p> <ul style="list-style-type: none"> • 2 ¼” (70mm) length, 6-Pin standard • Base material: Brass <p>Includes:</p> <ul style="list-style-type: none"> • 2 keys • See Note A below for pinning info 	

NOTES
<p>A. Use Combi C2 or C4 full size pins for all COMBI Cylinders except SFIC. See page 109.</p> <p>B. Keys must be cut on code machine with Best, Falcon, Depths and Spacing. Keys cannot be punched.</p>



CRP COMBI PINNING KITS

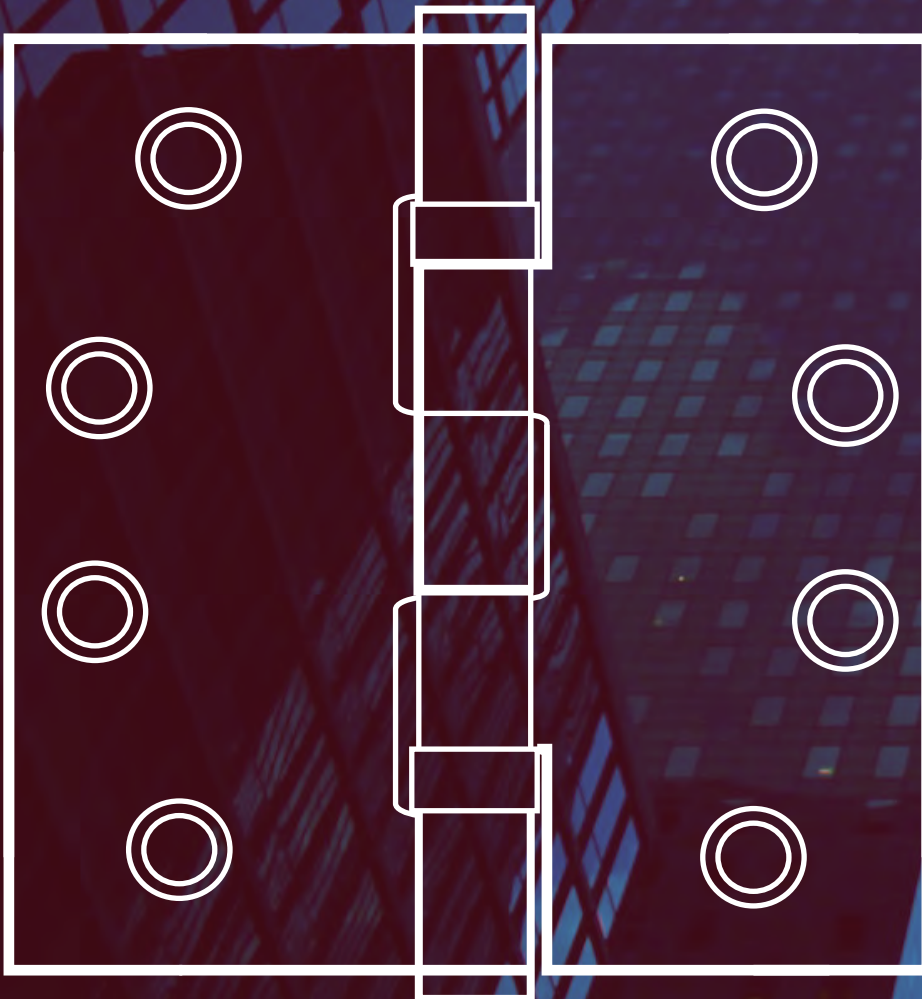
COMBI C2 / C4 Full Size Pinning Kit
DUAL COMBI A2 / A4 / C2 / C4
Small Format & Full Size Pinning Kit

ACCESSORIES			
A2 SFIC PINS	A4 SFIC PINS	C2 FULL SIZE PINS	C4 FULL SIZE PINS
(2-19) Master Pins 	(1-11) Master Pins 	(2-9) Master Pins 	(1-5) Master Pins
<ul style="list-style-type: none"> • KP-I-2M • KP-I-8M • KP-I-14M • KP-I-3M • KP-I-9M • KP-I-15M • KP-I-4M • KP-I-10M • KP-I-16M • KP-I-5M • KP-I-11M • KP-I-17M • KP-I-6M • KP-I-12M • KP-I-18M • KP-I-7M • KP-I-13M • KP-I-19M 	<ul style="list-style-type: none"> • KP-I4-1M • KP-I4-6M • KP-I4-2M • KP-I4-8M • KP-I4-3M • KP-I4-9M • KP-I4-4M • KP-I4-10M • KP-I4-5M • KP-I4-11M 	<ul style="list-style-type: none"> • KP-C2-2M • KP-C2-6M • KP-C2-3M • KP-C2-7M • KP-C2-4M • KP-C2-8M • KP-C2-5M • KP-C2-9M 	<ul style="list-style-type: none"> • KP-C4-1M • KP-C4-4M • KP-C4-2M • KP-C4-5M • KP-C4-3M
(0-9) Bottom Pins 	(0-5) Bottom Pins 	(0-9) Bottom Pins 	(0-5) Bottom Pins
<ul style="list-style-type: none"> • KP-I-0B • KP-I-5B • KP-I-1B • KP-I-6B • KP-I-2B • KP-I-7B • KP-I-3B • KP-I-8B • KP-I-4B • KP-I-9B 	<ul style="list-style-type: none"> • KP-I4-0B • KP-I4-3B • KP-I4-1B • KP-I4-4B • KP-I4-2B • KP-I4-5B 	<ul style="list-style-type: none"> • KP-C2-0B • KP-C2-5B • KP-C2-1B • KP-C2-6B • KP-C2-2B • KP-C2-7B • KP-C2-3B • KP-C2-8B • KP-C2-4B • KP-C2-9B 	<ul style="list-style-type: none"> • KP-C4-0B • KP-C4-3B • KP-C4-1B • KP-C4-4B • KP-C4-2B • KP-C4-5B
KP-I <ul style="list-style-type: none"> • SFIC pins for keying (same as BEST A2) 	KP-I4 <ul style="list-style-type: none"> • SFIC pins for keying (same as BEST A4) 	KP-C2 <ul style="list-style-type: none"> • Full size pins C2 large diameter cylinders 	KP-C4 <ul style="list-style-type: none"> • Full size pins C4 large format diameter cylinders

PARTS KIT FOR KK-COS-NS	KEYS	
<p>KIKLCAP-01 KIKLCAP-02 LZTPSD-01 LZTPDD-01 LZTPDD-02 TPWASHER</p> <p>KIKLZTP-01 KIKLZTP-02 KIKLZTP-03 KIKLZTP-04 KIKLZTP-05 KIKLZTP-06</p>		
KT-H-PK <ul style="list-style-type: none"> • KIKLCAP-01 • LZTPDD-01 • KIKLZTP-01 • KIKLZTP-04 • KIKLCAP-02 • LZTPDD-02 • KIKLZTP-02 • KIKLZTP-05 • LZTPSD-01 • TPWASHER • KIKLZTP-03 • KIKLZTP-06 	KBCOS6 COMBI 6-Pin key blank	COSCK COMBI 6-Pin Large Format IC control key

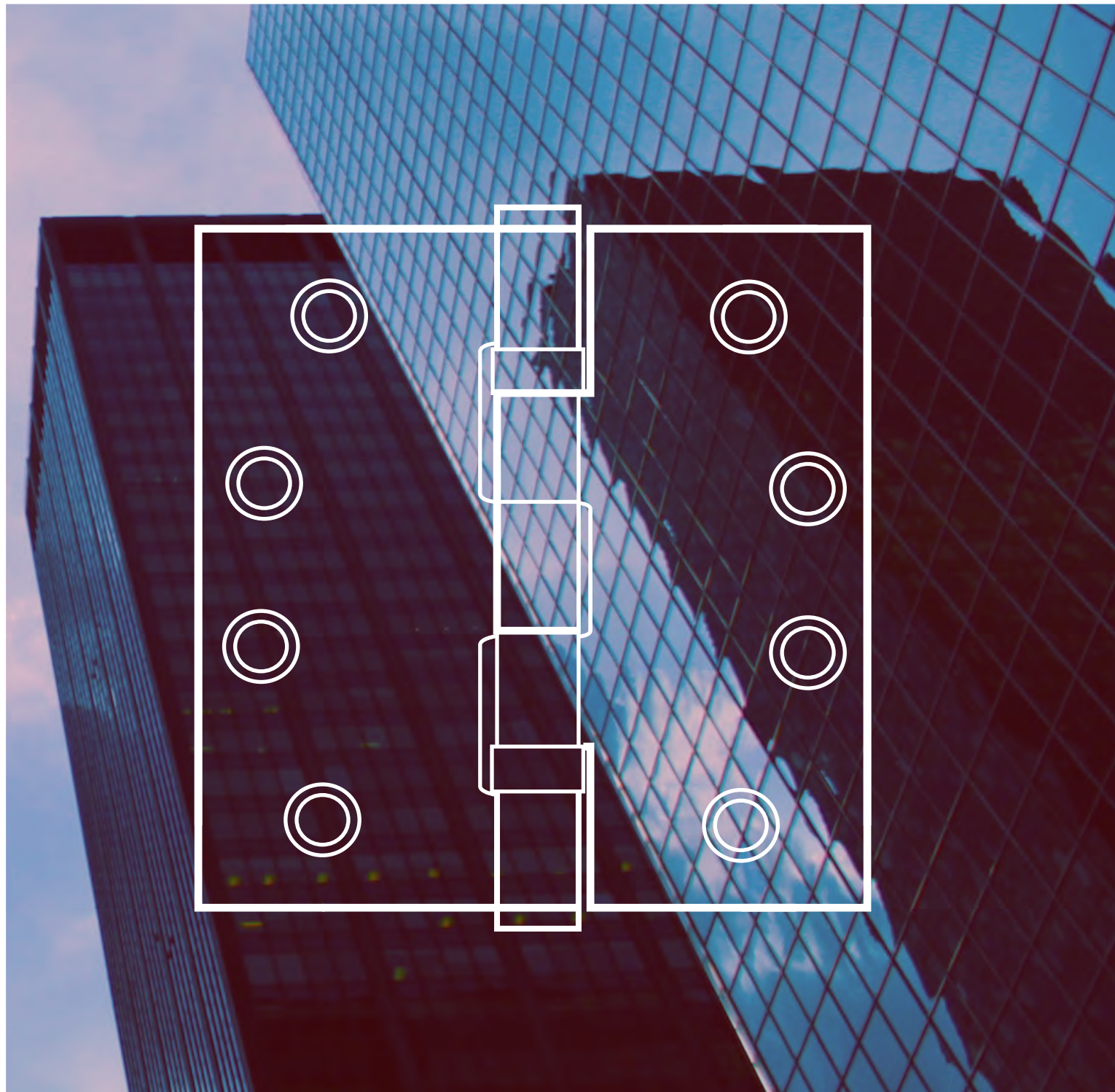


HINGES





HINGES



HINGES



**LIFETIME
WARRANTY**

**BHMATM
CERTIFIED**
Be Safe, Be Secure. Look for the Mark.

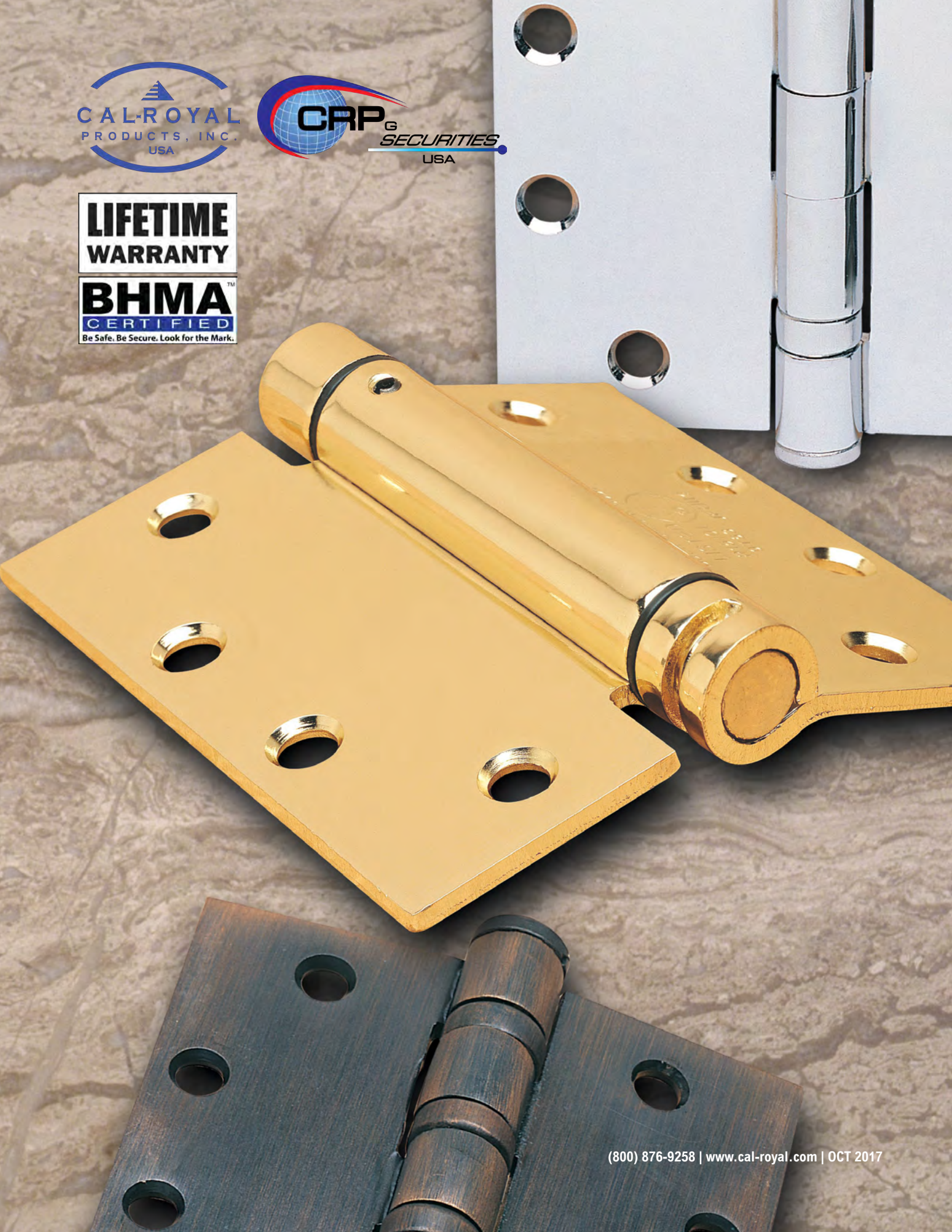


TABLE OF CONTENTS

I. BASIC INFORMATION

Types of Hinges.....	2
Determining the Number of Hinges Needed.....	2
Determining the Height of Hinges Needed.....	2
Determining the Width of Hinges Needed.....	2
Determining Handing.....	3
Guidelines for Frequency of Door Usage.....	3
Minimum Architectural Hinge Requirements.....	3
Type of Materials.....	3
Guidelines for Estimating Door Weight.....	4
Types of Finishes.....	4
Anti-Rust Finishes.....	4
Electrified Hinges.....	4

II. COMMERCIAL HINGES

Heavy Weight • Four Ball Bearing.....	5
Standard Weight • Two Ball Bearing.....	5
Standard Weight • Plain Bearing.....	5
Standard Weight • Template.....	6

III. MADE IN TAIWAN HINGES THAT MEET THE BUY AMERICAN ACT

Standard Weight • Two Ball Bearing.....	5
Heavy Weight • Four Ball Bearing.....	5

IV. SPECIALTY HINGES

CONCEALED BALL BEARING

Standard Weight • Ball Bearing.....	6
Heavy Weight • Ball Bearing.....	6

FULL SURFACE TYPE

Standard Weight • Ball Bearing.....	6
-------------------------------------	---

HALF MORTISE TYPE

Standard Weight • Ball Bearing.....	6
-------------------------------------	---

HALF SURFACE TYPE

Standard Weight • Ball Bearing.....	7
-------------------------------------	---

SWING CLEAR

Standard Weight • Two Ball Bearing.....	7
Heavy Weight • Four Ball Bearing.....	7

HOSPITAL TIP

Standard Weight • Two Ball Bearing.....	7
Heavy Weight • Four Ball Bearing.....	7

WIDE THROW HINGES

Standard Weight • Two Ball Bearing.....	7
---	---

V. SPRING HINGES

Commercial.....	8
Combination.....	8
Residential.....	8

VI. EXTRUDED SOLID BRASS HINGES

Full Mortise Type • Two Ball Bearing.....	9
---	---

VII. CASTLEGATE COMBINATION HINGES.....

VIII. RESIDENTIAL HINGES

Swing Clear • Two Ball Bearing.....	7
Two Ball Bearing • 5 Knuckles.....	9
Plain Bearing • 5 Knuckles.....	9
Benchmark • Timely, Reddi Frame.....	10
Plain Bearing • 6 Knuckles • Bulk Unassembled.....	10
Plain Bearing.....	10

IX. PARLIAMENT HINGES

Full Mortise Type • Plain Bearing.....	11
--	----

X. SOLID BRASS CABINET HINGES.....

XI. REINFORCING PIVOT HINGES.....

XII. HINGE SCREWS.....

XIII. STEEL, BRASS & STAINLESS STEEL TYPE HINGES.....

XIV. INTERTEK CERTIFICATION.....

XV. BHMA CERTIFIED WITH LIFETIME WARRANTY HINGES

Standard Weight • Plain Bearing.....	14
Standard Weight • Ball Bearing.....	14
Heavy Weight • Ball Bearing.....	15
Heavy Weight • Concealed Ball Bearing.....	16
Standard Weight • Concealed Ball Bearing.....	16

XVI. GEARED ALUMINUM CONTINUOUS HINGES

Basic Information.....	19
------------------------	----

Dimensioning Door and Frame

Full Concealed Mortised Models.....	20, 22
Full Surface Models.....	21, 23
Half Surface Models.....	21, 24

XVII. GEARED ALUMINUM CONTINUOUS HINGE MODEL CROSS REFERENCE.....

CAL-ROYAL

P R O D U C T S, I N C.

Lifetime Warranty on Commercial Grade Hinges

BHMA CERTIFIED

CAL-ROYAL'S complete line of Commercial, Residential and Continuous Gear Hinges offer unsurpassed value, quality and service. Engineered to meet or exceed industry standards that customers have come to expect.

GENERAL INFORMATION

ANSI Products Standards

CAL-ROYAL HINGES complies with ANSI A156.1 (Butts and Hinges), A156.7 (Template hinge dimensions), A156.17 (Self Closing Hinges and Pivots), A 156.18 (materials and Finishes).

Plain Bearing Standard Weight

For Standard weight doors receiving low frequency service. Template hinges are furnished with all machine and wood screws.

Ball Bearing Standard Weight

For Standard weight doors receiving average frequency service. Template hinges are furnished with all machine and wood screws.

Ball Bearing Heavy Weight

For Heavy Doors (such as entrance and corridors) or doors receiving high frequency service. Inner edges are beveled to conform the shape of barrel and to make close fitting joints. Heavy weight template hinges are equipped with all machine and one half screws.

Half Surface

One leaf is mortised in the frame and the other is surface applied to the face of the door (wood door with wood frame or metal core door with hollow metal frame).

Half Mortise

One leaf is mortised in the door and the other is surface applied to the frame (hollow metal door with channel iron frame).

Swing Clear

For use where conditions require a completely clear opening when door is opened to 90° angle. Inner edges of leaves are beveled to conform to shape of barrel and to make close fitting joints. Phillips head threaded plug permits hinge to be reversed to suit application.

Full Mortise

Both leaves are mortised. One leaf in the door and one leaf in the frame (wood door or hollow metal door with channel iron frame).

Full Surface

Both leaves are applied to the surface, one to the door and the other to the frame (metal core door or hollow metal door with channel iron frame).

Materials and Finishes

Wrought Steel: Satin finishes or highly polished and plated. All plated finishes have a clear baked finish.

Wrought Stainless Steel:

Satin finish non-ferrous, non-corrosive grade 304.

Stock Finishes:

Refer to our price list for stock finishes. Materials such as solid brass are available on request. Prefix SB before part #.

Tips

Button: All hinges have flat button tip, except concealed ball bearing hinges which are flush.

Non-removable Pins: Removable threaded set screw in barrel prevent pin from being removed when door is closed. Available on all hinges. Use N.R.P. for ordering.

Special Pins: Solid brass pins, stainless steel pins and Hospital Tips are available on request. Decorative tips are also available on 4 1/2" x 4 1/2", 4" x 4", 3 1/2" x 3 1/2" commercial hinges and 4" x 4" and 3 1/2" x 3 1/2" residential hinges. Add BT (Ball Tip), ST (Steeple Tip) before part number for specification. Other Size Hinge tips also available based on factory order.



STEEPLE TIP



BALL TIP



HOSPITAL TIP



ACORN TIP



URN TIP

Packaging

All hinges are individually wrapped to protect the finish. Commercial grade hinges are packed 3 pieces per inner box with all machine and all wood screws. Residential hinges are packed one pair per box, bulk assembled or unassembled. Spring hinges are packed 2 pieces per box. Refer to price list for carton quantities.

BASIC INFORMATION

Types of Hinges:

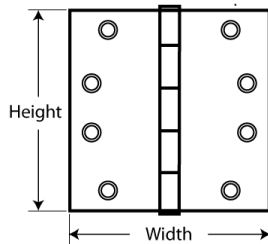
Full Mortise – Both leaves are mortised. One leaf on the frame and one on the door.

Half Mortise – One leaf is mortised in the door and the other is surface applied to the frame.

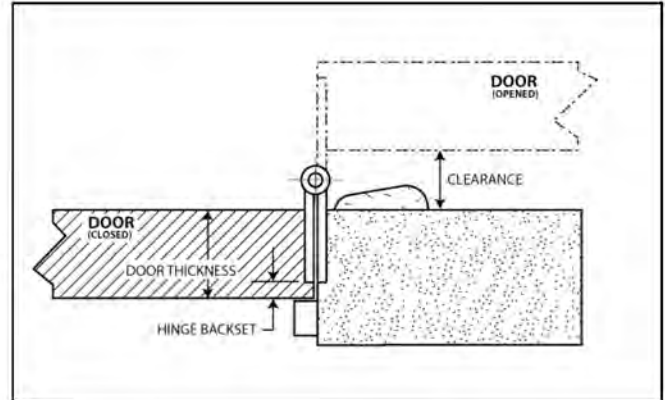
Full Surface – Both leaves are applied to the surface. One to the door and the other to the frame which may be a metal core door or hollow metal door with channel iron frame.

Half Surface – One leaf is mortised to the frame and the other is surface applied to the face of the door which may be a wood door with wood frame or a metal core door with hollow metal frame.

Hinge Size Configuration - Hinges are measured by its height and its width. The first dimension is the height and the second is the width. Width is measured when the hinge is in the open position as shown in the figure below



Determining the width of hinges needed:



$$WIDTH = DT - HB \times 2 + CR$$

DT - DOOR THICKNESS
HB - HINGE BACKSET
CR - CLEARANCE REQUIRED

Determining the number of hinges needed:

Generally there should be 1 hinge for every 30" of door height. Refer to table below for quick reference.

HEIGHT OF DOOR	NUMBER OF HINGES
60" or below	2
61" – 90"	3
91" – 120"	4

If the result of the formula above would correspond to a non standard hinge, then go to the next larger hinge width.

RECOMMENDED HINGE BACKSET:

For doors 2 1/4" thick and below, 1/4" (6.4 mm) backset is recommended.
For doors over 2 1/4", 3/8" (9.5 mm) backset is recommended.

Determining the height of hinges needed:

GUIDELINES FOR HINGE HEIGHT SELECTION			
DOOR WEIGHT, lbs.	DOOR WIDTH	DOOR THICKNESS	FULL MORTISE HINGE HEIGHT
75	32"	1 3/8"	3 1/2"
	36"	1 3/8"	4"
150	32"	1 3/8"	4"
	36"	1 3/8"	4"
150	32"	1 3/4"	4 1/2"
	36"	1 3/4"	4 1/2"
175	32"	1 3/8"	5"
	36"	1 3/8"	5"
175	36"	1 3/4"	5"
	48"	1 3/4"	5"
230	36"	1 3/8"	6"
	48"	1 3/8"	6"
230	36"	1 3/4"	6"
	48"	1 3/4"	6"

Selecting the Proper weight and Bearing Type:

Standard Weight - Plain Bearing
Standard Weight - Ball Bearing, Concealed bearing
Heavy Weight - Ball Bearing, Concealed bearing

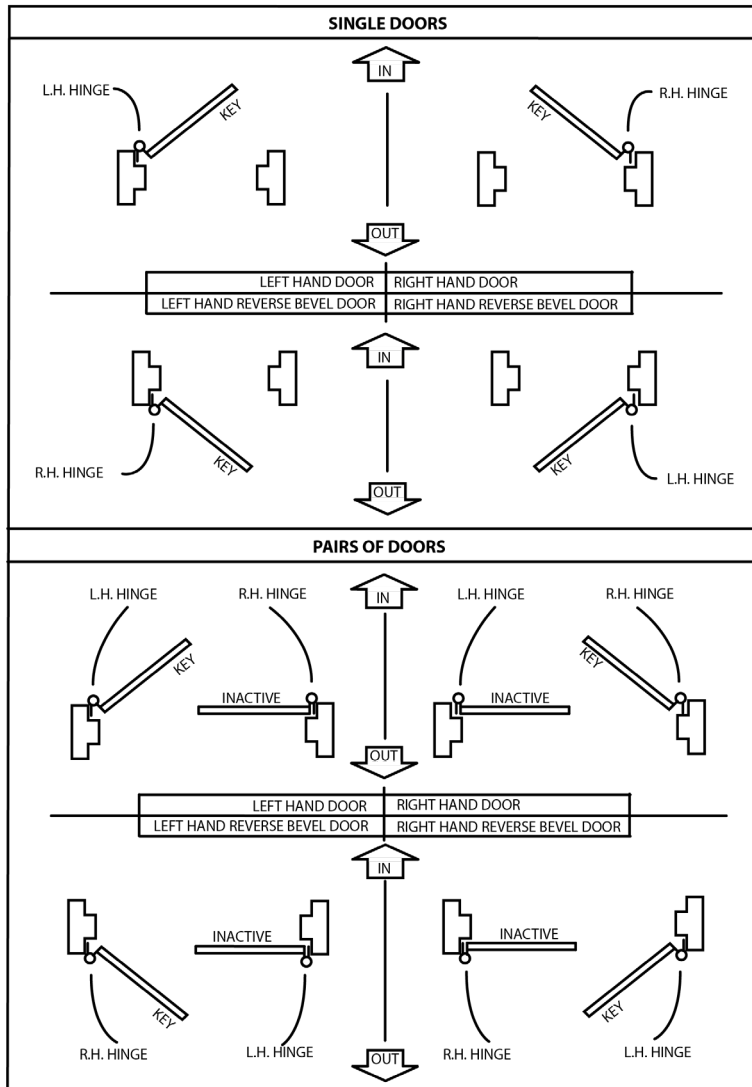
Considerations in determining Weight and Bearing type:

- 1) Weight of Door
 - 2) Frequency of Use
 - 3) Frame
 - 4) Door Hardware
- ▶ Always use ball bearing or concealed bearing hinges for doors with door closers and in all fire rated openings. Heavy Weight doors and high frequency doors should use heavy weight ball bearing or concealed bearing hinges.
 - ▶ Use ball bearing or concealed bearing hinge with spring hinges.

BASIC INFORMATION

Determining handing:

Some hinge applications require correct hinge handing. It is therefore necessary to distinguish what type of hinge handing a particular application may require. Shown in the illustration below, the suffix L.H. (left hand) and R.H. (right hand) would classify their handing.



The hand of a hinge is determined from the outside of the door to which it is applied. This is usually the keyed side. When standing outside, if the door opens away to the right, it requires a right-hand hinge also referred to as RH. If it opens away to the left, then it requires a left-hand hinge also termed as LH.

When standing outside, if the door opens towards the right, it requires a left-hand hinge, also referred to as right hand reverse bevel or RHRB. If it opens towards the left, it will require a right-hand hinge, also referred to as left hand reversed bevel or LHRB.

Guidelines for Frequency of Door Usage:

BUILD TYPE	DAILY USAGE	YEARLY USAGE	HINGE TYPE
High Frequency/ Heavy Weight Door			<i>Heavy Weight</i>
Large Department Store Entrance	5,000	1,825,000	
Hospital Corridor and Surgical Doors	5,000	1,825,000	
Large Office Building Entrance	4,000	1,460,000	
School Entrance	1,250	356,200	
School Toilet Door	1,250	356,200	
Office Stairwell	500	182,500	
Office Building Toilet Door	400	118,000	
Medium Frequency/ Medium Weight Door			<i>Standard Weight</i>
School Corridor Door	100	36,500	
Hospital Consultation Rooms	100	36,500	
Office Building Corridor Door	80	15,000	
Store Toilet Door	60	15,000	
Storage Room	50	18,250	
Low Frequency/ Light Weight Door			<i>Plain bearing</i>
Residential Entrance	30	10,950	
Interior Residential	20	7,300	

Minimum Architectural Hinge Requirements:

Grade 1:	2,500,000	Heavy Weight Ball and Concealed Bearing
Grade 2:	1,500,000	Standard Weight Ball & Concealed Bearing
Grade 3:	350,000	Light Weight Plain Bearing

Type of materials:

Steel – Durable, has great strength but is highly corrosive. Rusting will result if the material is used in an uncontrolled environment, like places near the sea where the atmosphere is salty. Steel is best to use in a stable contained surroundings such as inside a building where the temperature and humidity are controlled. Steel hinges can be used on listed fire rated or labeled door openings.

Stainless Steel – This material is also durable and has great strength, but does not corrode like steel. This is best to use on highly corrosive areas. A 316 grade stainless steel or clear coat over 304L is recommended. Stainless steel can also be polished to a satin or bright finish. Stainless steel hinges can also be used on listed fire rated or labeled door openings.

Brass – Like stainless steel, brass is also non-corrosive and rust resistant. And although brass has less strength compared to steel and stainless steel, it is very decorative. It is often used in applications where appearance is taken into consideration over strength as it can be polished and plated in various finishes. But due to its low melting point, brass may not be used on listed fire rated door openings.

BASIC INFORMATION

Guidelines for Estimating Door Weight:
(Weight in Pounds per Square Foot)

DOOR THICKNESS	1 3/8"	1 3/4"	2"	2 1/4"	2 1/2"
Material					
Hollow Metal 18 gauge	4.3	4.6			
Hollow Metal 16 gauge	5.4	5.8			
Hollow Metal 15 gauge	6.2	6.5			
Hollow Metal 14 gauge	7.0	7.3			
Hollow Metal 13 gauge	8.3	8.7			
Hollow Metal 12 gauge	9.9	10.2			
Hollow Metal 11 gauge	11.2	11.6			
Hollow Metal 10 gauge	12.8	13.0			
Ash	4.5	5.3	6.0	6.8	7.5
Birch	3.8	4.3	5.0	5.6	6.3
Fir	3.0	3.5	4.0	4.5	5.0
Mahogany	4.5	5.3	6.0	6.8	7.5
Oak	6.0	7.3	8.0	9.0	10.0
White Pine	3.0	3.5	4.0	4.0	5.0
Mineral Core		4.0			

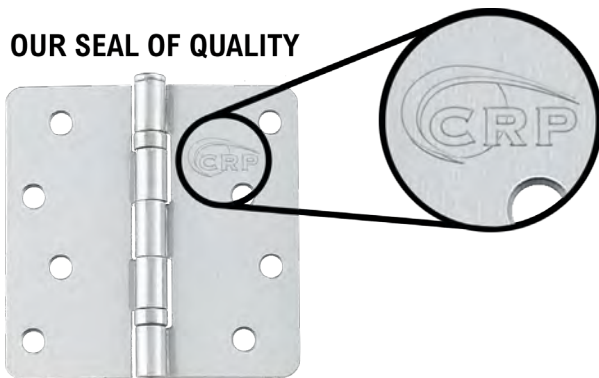
Types of Finishes:

All steel and brass material hinges can be plated to match the available finishes that are listed in the American National Standards Institute or ANSI, standard ANSI/BHMA A156.18 Materials and Finishes.

Anti-rust finishes:

When using steel based materials hinges, special finishing procedures can be done which will improve and add protection to the product. A nickel undercoat may be applied prior to plating. But although this will give added protection and make it rust resistant, it is still not considered rust proof. Stainless steel or brass which is a non-ferrous material may be used if a true rust-resisting hinge is needed.

OUR SEAL OF QUALITY



ALL HINGES ARE STAMPED WITH CRP LOGO. ALSO AVAILABLE W/O LOGO. PREFIX "UN" WHEN ORDERING. REFER TO PRICE LIST FOR STOCK ITEMS.

Electrified Hinges:

The Electrified Hinge made door wiring easy, safe and reliable. Power can now be transferred from the frame into the door either exposed or concealed.

With the introduction of electrified hinges, we are now able to monitor the position of the door, transfer power and incorporate both functions into a single hinge. More so, we now have the ability to electrify other hardware items such as exit devices, electric strikes and electrified locks.

Full mortise hinges are highly recommended for modification purposes. However, monitoring can be supplied on a half surface hinge if the need arises. It is also recommended that the Center Hinge Location be used with all electrically modified hinges.

The maximum voltage that is allowed in electrified hinges is 48 volts. Higher voltage is not allowed because of potential dangers. The current (amperes) should also be taken into consideration.



FOR QUICK CONNECT OPTION ON 8-WIRE & 12-WIRE ELECTRIFICATION, PREFIX "ELQC" BEFORE ITEM #.



molex
MICRO-FIT 3.0™ INTERCONNECT SYSTEM AVAILABLE TO RETROFIT COMMON QUICK CONNECTION SYSTEMS SUCH AS ELECTROLYNX® OR ALLEGION CONNECT®.

4-, 6- and 8-wire available on all standard weight, heavy weight and concealed ball bearing hinges in all sizes. Specify Hinge.

ENERGY TRANSFER HINGES FOR CYLINDRICAL LOCKS, MORTISE LOCKS AND PANIC TRIMS

Prefix **ELE** + (**No. of wires**) before **ITEM #**

- ELE4: 4 Wires** - 26 gauge - 1A@24V (per pair)
- ELE6: 6 Wires** - 28 gauge - 1A@24V (per pair)
- ELE8: 8 Wires** - 28 gauge - 1A@24V (per pair) - **ELQC8:** (For QC Option)
- ELE12: 12 Wires** - 28 gauge - 1A@24V (per pair) - **ELQC12:** (For QC Option)

ENERGY TRANSFER HINGES FOR ELECTRIFIED PANIC BAR (ELR)

Prefix **ELELR** + (**No. of wires**) before **ITEM #**

- ELELR4: 2 Wire** -18 gauge, 5A (16A in-rush for 300 ms.) + **2 Wire** -26 gauge
- ELELR6: 2 Wire** -18 gauge, 5A (16A in-rush for 300 ms.) + **4 Wire** -28 gauge
- ELELR8: 2 Wire** -18 gauge, 5A (16A in-rush for 300 ms.) + **6 Wire** -28 gauge
- ELELR12: 2 Wire** -18 gauge, 5A (16A in-rush for 300 ms.) + **10 Wire** -28 gauge

NOTE: All hinges are sold with a minimum order quantity (MOQ) equal to or exactly divisible by the inner box quantity specified in the catalog or price book.





	FULL MORTISE TYPE HINGES Heavy Weight • Four Ball Bearing • Template			
	ITEM #	SIZE	GAUGE	
	BB5500	5" x 5"	.190	
	BB5210	5 x 4 1/2"	.190	
	BB5254	5" x 4"	.190	
	BB5200	4 1/2" x 4 1/2"	.180	
	BB52454	4 1/2" x 4"	.180	
BBRC5835	3 1/2" x 3 1/2"	.123		
Size: Maximum of 8" x 8" available upon request		Material: Steel, Stainless Steel, Brass		
Size of FH Screws		Pieces Per Box	Pieces Per Carton	
Machine	Wood	3	48	
1/2" x 12 - 24	1" x 12			

	FULL MORTISE TYPE HINGES Standard • Two Ball Bearing • Template			
	Two Ball Bearing, 1/4" Radius Round Corner			
	ITEM #	SIZE	GAUGE	
	RCBB31 N.R.P.	4 1/2" x 4 1/2"	.134	
	Two Ball Bearing, 1/8" Radius Round Corner			
	RCBB454 N.R.P.	4 1/2" x 4"	.190	
	Two Ball Bearing, Square Corner			
	BB55	5" x 5"	.146	
	BB545	5 x 4 1/2"	.146	
	BB54	5" x 4"	.146	
	BB31	4 1/2" x 4 1/2"	.134	
	BB454	4 1/2" x 4"	.134	
	BBSC56	4" x 4"	.130	
	BBSC77*	3 1/2" x 3 1/2"	.123	
BBSC33*	3" x 3"	.123		
Size: Maximum of 6" x 6" available upon request		Material: Steel, Stainless Steel, Brass		
Size of FH Screws		Pieces Per Box	Pieces Per Carton	
Machine	Wood	3	48	
1/2" x 12 - 24	1 1/4" x 12			
*Supplied with 1/2" x 10-24 machine screws and 1 x 9 wood screws, 2 pieces/inner box 100 pieces/carton				





	MADE IN TAIWAN HINGES THAT MEET THE BUY AMERICAN ACT Full Mortise Type			
	Two Ball bearing • Standard Weight			
	ITEM #	SIZE	GAUGE	
	TABB31	4 1/2" x 4 1/2"	.134	
	TABB545	5" x 4 1/2"	.146	
	Four Ball bearing • Heavy Weight			
	TABB5200	4 1/2" x 4 1/2"	.180	
	Material: Steel, Stainless Steel			
	Size of FH Screws		Pieces Per Box	Pieces Per Carton
	Machine	Wood	3	48
1/2" x 12 - 24	1 1/4" x 12			

	FULL MORTISE TYPE HINGES Standard Weight • Plain Bearing • Template			
	ITEM #	SIZE	GAUGE	
	TBH55	5" x 5"	.146	
	TBH30	4 1/2" x 4 1/2"	.134	
	TBH454	4 1/2" x 4"	.134	
	TBHSC55	4" x 4"	.130	
	TBHSC77*	3 1/2" x 3 1/2"	.123	
	TBHSC33*	3" x 3"	.123	
	Size: Maximum of 6" x 6" available upon request		Material: Steel, Stainless Steel, Brass	
	Size of FH Screws		Pieces Per Box	Pieces Per Carton
	Machine	Wood	3	48
1/2" x 12 - 24	1 1/4" x 12			
*Supplied with 1/2" x 10-24 machine screws and 1 x 9 wood screws, 2 pieces/inner box 100 pieces/carton				

NOTE: All hinges are sold with a minimum order quantity (MOQ) equal to or exactly divisible by the inner box quantity specified in the catalog or price book.

	FULL MORTISE TYPE HINGES • Standard Weight • Template				
	1/4" Radius • Plain Bearing				
	ITEM #	SIZE		GAUGE	
	TBHRC44	4" x 4"		.130	
	TBHRC66*	3 1/2" x 3 1/2"		.123	
	5/8" Radius • Plain Bearing • Non Template				
	TBHRC5844	4" x 4"		.130	
	1/4" Radius • Ball Bearing				
	BBRC45	4" x 4"		.130	
	5/8" Radius • Ball Bearing • Non Template				
BBRC5844	4" x 4"		.130		
BBRC5835	3 1/2" x 3 1/2"		.123		
Material: Steel, Stainless Steel, Brass					
Size of FH Screws		Pieces Per Box	Pieces Per Carton		
Machine	Wood	3	48		
1/2" x 12 - 24	1" x 12				
* Supplied with 1/2" x 10-24 machine screws and 1" x 9 wood screws, 2 pieces/inner box 100 pieces/carton					
	CONCEALED BALL BEARING HINGES • Full Mortise Type • Template				
	Standard Weight Hinges				
	ITEM #	SIZE		GAUGE	
	BB2255	5" x 5"		.145	
	BB2200	4 1/2" x 4 1/2"		.134	
	BB22454	4 1/2" x 4"		.134	
	Heavy Weight Hinges				
	BB7755	5" x 5"		.190	
	BB3300	4 1/2" x 4 1/2"		.190	
	BB1000	4 1/2" x 4"		.190	
Special sizes available upon request		Material: Steel, Stainless Steel, Brass			
Size of FH Screws		Pieces Per Box	Pieces Per Carton		
Machine	Wood	3	48		
1/2" x 12 - 24	1 1/4" x 12				
	FULL SURFACE TYPE HINGES				
	Standard Weight Ball Bearing • Template				
	ITEM #	SIZE		GAUGE	
	FSHBB45 N.R.P.	4 1/2"		.134	
	Non-Removable Pin		Material: Steel, Stainless Steel		
	Size of FH Screws		Pieces Per Box	Pieces Per Carton	
	Jamb	Door	2	24	
1/2" x 12 - 24OH	2 x 1/4" - 20 OH				
	HALF MORTISE TYPE HINGES				
	Standard Weight • Ball Bearing • Template				
	ITEM #	SIZE		GAUGE	
	HMBB4100 N.R.P.	4 1/2"		.134	
	Size: Available up to 5" upon request		Material: Steel, Stainless Steel Non-Removable Pin		
	Size of FH Screws		Pieces Per Box	Pieces Per Carton	
	Jamb	Wood	3	48	
1/2" x 12 - 24OH	1/2" x 12 - 24MS				
	1 1/4" x 12WS				


NOTE: All hinges are sold with a minimum order quantity (MOQ) equal to or exactly divisible by the inner box quantity specified in the catalog or price book.

	HALF SURFACE TYPE • Standard Weight Hinges Ball Bearing • Template				
	ITEM #		SIZE	GAUGE	
	HSBB4900 N.R.P.		4 ½"	.134	
	Size: Available up to 5" upon request		Material: Steel, Stainless Steel Non-Removable Pin		
	Size of FH Screws		Pieces Per Box	Pieces Per Carton	
	Jamb ½" x 12 - 24 FH	Door 2" x ¼" - 20 OS	3	48	
	SWING CLEAR • Full Mortise Type • Ball Bearing • Template				
	Two Ball Bearing, 5/8" Radius Round Corner				
	ITEM #		SIZE	GAUGE	
	BB40058		4"	.130	
	BB35058		3 ½"	.123	
	Two Ball Bearing, Square Corner				
	BB600		4 ½"	.134	
	BB400		4"	.130	
	BB350		3 ½"	.123	
	Hinge Size	Size of Screws		Pieces Per Box	Pieces Per Carton
		Machine	Wood		
	3 ½"	10-24 x ½"	10 x 1 F.H.	2	50
4"	12-24 x ½"	12 x 1 F.H.			
Four Ball Bearing Heavy Weight Hinges					
BB800		4 ½"	.190		
Size: Available up to 5" upon request		Material: Steel, Stainless Steel			
Hinge Size	Size of FH Screws		Pieces Per Box	Pieces Per Carton	
	Jamb	Door			
4 ½"	½" x 12 - 24	½" x 12 - 24MS 1 ¼" x 12WS	3	48	
	HOSPITAL TIP Full Mortise Type • Ball Bearing • Template				
	Two Ball Bearing Standard Weight				
	ITEM #		SIZE	GAUGE	
	HOSBB31 N.R.P.		4 ½" x 4 ½"	.134	
	Four Ball Bearing Heavy Weight				
	HOSBB5200 N.R.P.		4 ½" x 4 ½"	.180	
HOSBB5210 N.R.P.		5" x 4 ½"	.190		
Size: Maximum of 6" x 6" available upon request		Material: Steel, Stainless Steel			
Size of FH Screws		Pieces Per Box	Pieces Per Carton		
Machine	Wood				
½" x 12 - 24	1 ¼" x 12	3	48		
	WIDE THROW HINGES Full Mortise Type • Standard Weight • Two Ball Bearing • Template				
	ITEM #		SIZE	GAUGE	
	WTHBB456		4 ½" x 6"	.134	
	Size: Maximum of 6" x 6" available upon request		Material: Steel, Stainless Steel		
	Size of FH Screws		Pieces Per Box	Pieces Per Carton	
	Machine	Wood			
½" x 12 - 24	1 ¼" x 12	3	48		

NOTE: All hinges are sold with a minimum order quantity (MOQ) equal to or exactly divisible by the inner box quantity specified in the catalog or price book.

	SPRING HINGES (Commercial) Full Mortise Type • Template • Single Acting			
	ITEM #	SIZE	GAUGE	
	NEWSH140	4 1/2" x 4 1/2"	.134	
	NEWSH454	4 1/2" x 4"	.134	
	Size: 4" x 4" and 3 1/2" x 3 1/2", available upon request		Material: Steel, Stainless Steel	
	Size of FH Screws		Pieces Per Box	Pieces Per Carton
	Machine	Wood	2	48
1/2" x 12 - 24	1 1/4" x 12			
	COMBINATION HINGES • Full Mortise Type Set of 2 pcs Spring Hinges (SH140) and 1 pc 2-Ball Bearing Hinges (BB31)			
	ITEM #	SIZE	GAUGE	
	BB14031 (SOLD per set)	4 1/2" x 4 1/2" (2 pcs) Spring Hinges	.134	
		4 1/2" x 4 1/2" (1 pc) 2-Ball Bearing Hinge	.134	
	Material: Steel, Stainless Steel			
	Size of FH Screws		Set Per Box	Sets Per Carton
	Machine	Wood	1	16
1/2" x 12 - 24	1 1/4" x 12			
1 set per inner box				
	SPRING HINGES (RESIDENTIAL) Full Mortise Type Template • Single Acting			
	Round Corner, 1/4" Radius (Template)			
	ITEM #	SIZE	GAUGE	
	NEWSH44R	4" x 4"	.110	
	NEWSH35R	3 1/2" x 3 1/2"	.110	
	Round Corner, 5/8" Radius (4"x4" Non Template)			
	NEWSH4458R	4" x 4"	.110	
	NEWSH3558R	3 1/2" x 3 1/2"	.110	
	Square Corner, (Template)			
	NEWSCSH35	3 1/2" x 3 1/2"	.110	
	Material: Steel, Stainless Steel, Brass			
	Size of FH Screws		Pieces Per Box	Pieces Per Carton
	Machine	Wood	2	48
	1/2" x 12 - 24 w/ #10 Head (4"x4")	1" x 10		
1/2" x 10 - 24 w/ #10 Head (3 1/2"x 3 1/2")	1" x 10			
	Castlegate Combination Square-Round Corner			
	CSH4458RSLH (Left Hand)	4" x 4"	.110	
	CSH4458RSLRH (Right Hand)	4" x 4"	.110	
	Size of FH Screws		Pieces Per Box	Pieces Per Carton
	Machine	Wood	2	48
	1/2" x 10 - 24 w/ #10 Head	1" x 10		
	Benchmark Round Corner, 5/8" Radius			
	NBENSH4458R	4" x 4"	.110	
	Material: Steel, Stainless Steel			
	Size of FH Screws		Pieces Per Box	Pieces Per Carton
Machine	Wood	2	48	
1/2" x 12 - 24 w/ #10 Head	1" x 10			

NOTE: All hinges are sold with a minimum order quantity (MOQ) equal to or exactly divisible by the inner box quantity specified in the catalog or price book.

EXTRUDED SOLID BRASS HINGES							
Full Mortise Type • Two Ball Bearing • Template							
							
				LIFE TIME FINISH			
				ITEM #	SIZE	GAUGE	
				LIFSBBH45	4 1/2" x 4 1/2"	.134	
				LIFSBBH44	4" x 4"	.130	
				LIFSBBH35	3 1/2" x 3 1/2"	.123	
				STANDARD FINISH			
				SBBH45	4 1/2" x 4 1/2"	.134	
				SBBH44	4" x 4"	.130	
				SBBH35	3 1/2" x 3 1/2"	.123	
FULL MORTISE, PLAIN BEARING							
SBH45	4 1/2" x 4 1/2"	.134					
SBH44	4" x 4"	.130					
SBH35	3 1/2" x 3 1/2"	.123					
Material: Steel, Stainless Steel, Brass							
DECORATIVE TIPS FOR EXTRUDED HINGES (BRASS)							
Ball Tip (BL), Steeple Tip (ST), Acorn Tip (AC), Urn Tip (UR)			Unit Ea Per Hinge				
			1				
Size of Wood Screws	3 1/2" - 1" x 10	Pieces Per Box	Pieces Per Carton				
	4" - 1" x 12	2	60				
	4 1/2" - 1 1/4" x 12						
CASTLEGATE COMBINATION SQUARE-ROUND CORNER PLAIN BEARING HINGES							
ITEM #	SIZE	GAUGE					
CAS44R (Right Hand)	4"x4"	.098					
CAS44L (Left Hand)	4"x4"	.098					
Material: Steel, Stainless Steel							
Size of Screws		Pieces Per Box	Pieces Per Carton				
Machine	Wood	2	48				
1/2" x 12 - 24 w/ #10 Head	1" x 9						
RESIDENTIAL WEIGHT HINGES							
Full Mortise Type • Two Ball Bearing • 5 Knuckles							
1/4" Radius							
ITEM #	SIZE	GAUGE					
BBRH60	4" x 4"	.097					
BBRH61	3 1/2" x 3 1/2"	.085					
5/8" Radius							
BBRH40	4" x 4"	.097					
BBRH35	3 1/2" x 3 1/2"	.085					
4" x 4" Non Template Type, 3 1/2" x 3 1/2" Template Type		Material: Steel, Stainless Steel, Brass					
Size of Wood Screws		Pieces Per Box	Pieces Per Carton				
4" x 4"	1" x 9	2, Assembled	100				
3 1/2" x 3 1/2"	3/4" x 9						
RESIDENTIAL WEIGHT HINGES							
Full Mortise Type • Plain Bearing • 5 Knuckles							
1/4" Radius							
ITEM #	SIZE	GAUGE					
RH60	4" x 4"	.097					
RH61	3 1/2" x 3 1/2"	.085					
5/8" Radius							
RH40	4" x 4"	.097					
RH35	3 1/2" x 3 1/2"	.085					
10RH35*							
Square Corner							
RH91	4" x 4"	.097					
RH90	3 1/2" x 3 1/2"	.085					
RH33	3" x 3"	.085					
4" x 4" Non Template Type, 3 1/2" x 3 1/2" Template Type		Material: Steel, Stainless Steel, Brass					
Size of Wood Screws		Pieces Per Box	Pieces Per Carton				
4" x 4"	1" x 9	2, Assembled	100				
3 1/2" x 3 1/2"	3/4" x 9						
3 1/2" x 3 1/2"*	1" x 9						

NOTE: All hinges are sold with a minimum order quantity (MOQ) equal to or exactly divisible by the inner box quantity specified in the catalog or price book.

	RESIDENTIAL WEIGHT HINGES Benchmark • Hole Pattern • Bulk Assembled			
	5/8" Radius			
	ITEM #	SIZE		GAUGE
	BENRH40B	4" x 4"		.085
	Material:??			
	Size of Screws		Pieces Per Box	Pieces Per Carton
Machine	Wood	---	100	
1/2" x 10-24 per hinge (4)	3/4" x #10 (3), #10 x 2" (1)			
	RESIDENTIAL WEIGHT HINGES Full Mortise Type • Plain Bearing • 6 Knuckles • Bulk Unassembled			
	5/8" Radius			
	ITEM #	SIZE		GAUGE
	UARH356	3 1/2" x 3 1/2"		.085
	Material: Steel, Stainless Steel, Brass			
	4" x 4" Non Template Type, 3 1/2" x 3 1/2" Template Type			
Size of Wood Screws		Pieces Per Box	Pieces Per Carton	
3 1/2" x 3 1/2"	3/4" x 9	---	100	
	TIMELY, REDDI FRAME RESIDENTIAL WEIGHT HINGES Plain Bearing • Template			
	1/4" Radius			
	ITEM #	SIZE		GAUGE
	TBHRC33	4" x 4"		.097
	For use on Metal Frames and Wood Doors			
	Material: Steel, Stainless Steel, Brass			
Size of Screws		Pieces Per Box	Pieces Per Carton	
Machine	Wood	3	48	
1/2" x 12 - 24 with #10 Head	1" x 10			
	TIMELY, REDDI FRAME RESIDENTIAL WEIGHT HINGES Plain Bearing • Template			
	1/4" Radius			
	ITEM #	SIZE		GAUGE
	TBHRC45	3 1/2" x 3 1/2"		.085
	For use on Metal Frames and Wood Doors			
	Material: Steel, Stainless Steel, Brass			
Size of Wood Screws		Pieces Per Box	Pieces Per Carton	
Machine	Wood	2	100	
1/2" x 10 - 24 with #10 Head	3/4" x 10			
	RESIDENTIAL STAINLESS STEEL HINGES, SQUARE CORNER Full Mortise Type • Residential Weight • Plain Bearing			
	ITEM #	SIZE		GAUGE
	LTBHSC55	4" x 4"		.080
	LTBHSC77	3 1/2" x 3 1/2"		.080
	LTBHSC77	3" x 3"		.080
	Material: Stainless Steel			
Size of Wood Screws		Pieces Per Box	Pieces Per Carton	
Machine	Wood	2	100	
N/A	3/4" x 9			




NOTE: All hinges are sold with a minimum order quantity (MOQ) equal to or exactly divisible by the inner box quantity specified in the catalog or price book.



PARLIAMENT HINGES Full Mortise Type • Plain Bearing • Template			
ITEM #	SIZE	GAUGE	
PARH458C	4 5/8" x 2 1/2"	.093	
PARH4B	4" x 2 1/2"	.093	
PARH3A	3" x 2 1/4"	.093	
Material: Brass			
Size of FH Screws		Pieces Per Box	Pieces Per Carton
Machine	Wood	2	100
N/A	3/4" x 9		






SOLID BRASS CABINET HINGES			
ITEM #	SIZE	GAUGE	
CABH-2015	2" x 1 1/2"	.093	
CABH-2517	2 1/2" x 1.700"	.093	
Size of FH Screws		Pieces Per Box	Pieces Per Carton
Machine	Wood	2	100
N/A	3/4" x 6		

REINFORCING PIVOT HINGES			
ITEM #	SIZE	GAUGE	
RPH45	4 1/2"	.187	
RPH45SHIM	1/8" Shim plate for RPH45 (Used for doors with 1/8" Reveal)		
Material: Steel			
Size of Wood Screws		Pieces Per Box	Pieces Per Carton
Machine	Wood	2	100
1/2" x 10 - 24	3/4" x 10		

HINGE SCREWS

STEEL SCREWS FOR CONTRACT GRADE SIZE 4", 4.5" and 5"		
ITEM #	FINISH	
	MACHINE 1/2" x 12-24 FPHM	
	MSC1224	USP, US26D, US10A, US10B, US10, US4, US3, US26, DURO, US32D
	WOOD 1 1/4" x 12 FPHW	
	WSC11412	USP, US26D, US10A, US10B, US10, US4, US3, US26, DURO, US32D
	WOOD 1" x 12 FPHW	
	WSC11299	USP, US26D, US10A, US10B, US10, US4, US3, US26, US15, DURO

STEEL SCREWS FOR RESIDENTIAL HINGES (4" x 4" and 3 1/2" x 3 1/2")		
ITEM #	FINISH	
	WOOD 1" x 9 With flycut (4" x 4" Size Hinge)	
	TWSC19	US26D, US10A, US4, US3, US26
	WOOD 3/4" x 9 With flycut (3 1/2" x 3 1/2" Size Hinge)	
	RESWC349	US26D, US10A, US4, US3, US26

STEEL SCREWS FOR TBHRC33 AND TBHRC45, 4" x 4" and 3 1/2" x 3 1/2" TIMELY HINGES, 4" x 4" and 3 1/2" x 3 1/2" SPRING HINGES, 3 1/2" x 3 1/2" CONTRACT GRADE HINGES		
ITEM #	FINISH	
	MACHINE 1/2" x 12-24 with #10 head FPHM (4" x 4" Size Hinge, 1/4" radius)	
	TMC1224	USP, US26D, US10A, US4, US3, US26, US28, US15, US10B, DURO
	MACHINE 1/2" x 10-24 with #10 head FPHM (4" x 4" Size Hinge, 5/8" radius)	
	TMC10244458R	USP, US26D, US10A, US4, US3, US26, US10B, DURO
	WOOD 1" x 10 FPHW (4" x 4" size hinge)	
	TWSC110	USP, US26D, US10A, US4, US3, US26, US15, US10B, US15A, USP, DURO
	MACHINE 1/2" x 10-24 No. 9 HEAD FPHM (3 1/2" x 3 1/2" Size Hinge)	
	TMC121024	USP, US26D, US10A, US4, US3, US26, US10B, US32D, DURO
	WOOD 1" x 9 FPHW (3 1/2" x 3 1/2" size hinge)	
	TWSC19	USP, US26D, US10A, US4, US3, US26, US28, US10B, US15, US15A, DURO

NOTE: All hinges are sold with a minimum order quantity (MOQ) equal to or exactly divisible by the inner box quantity specified in the catalog or price book.

TYPE	CAL-ROYAL	ANSI	HAGER	STANLEY	MCKINNEY	PBB	
Steel / Stainless 2 Ball Bearings	BB55	5" x 5"	A8112 A5112 (Stainless Steel)	BB1279 BB1191 (Stainless Steel)	FBB179 FBB191 (Stainless Steel)	TB2714 TB2314 (Stainless Steel)	BB81 BB51 (Stainless Steel)
	BB545	5" x 4 1/2"					
	BB54	5" x 4"					
	BB31	4 1/2" x 4 1/2"					
	BB454	4 1/2" x 4"					
	BBSC56	4" x 4"					
	BBRC45	4" x 4" (1/4" Rad.)					
	BBSC77	3 1/2" x 3 1/2"					
Stainless Steel, add 32D after part#							
Steel / Stainless Plain Bearing	TBH30	4 1/2" x 4 1/2"	A8133 A5133 (Stainless Steel)	1279 1191 (Stainless Steel)	F179 F191 (Stainless Steel)	T2714 T2314 (Stainless Steel)	PB81 PB51 (Stainless Steel)
	TBH454	4 1/2" x 4"					
	TBHSC55	4" x 4"					
	TBHRC44	4" x 4" (1/4" Rad.)					
	TBHSC77	3 1/2" x 3 1/2"					
	TBHRC66	3 1/2" x 3 1/2" (1/4" Rad.)					
Stainless Steel, add 32D after part#							
Brass, 2 Ball Bearings	SBBB31	4 1/2" x 4 1/2"	A2112	BB1191	FBB191	TB2314	BB21
Brass, Plain Bearing	SBTBH30	4 1/2" x 4 1/2"	A2133	1191	F191	T2314	PB21
Steel, Half Mortise, 2 Ball Bearings	HMBB4100	4 1/2"	A8212	BB1129	FBB167	TB2774	BB82
Stainless Steel, add 32D after part#							
Steel, Half Surface, 2 Ball Bearings	HSBB4900	4 1/2"	A8412	BB1173	FBB173	TB2772	BB84
Stainless Steel, add 32D after part#							
Steel, Swing Clear, 2 Ball Bearings	BB600	4 1/2"	A8122	BB1260	FBB248	TB2895	SC81
Steel, Bearing Concealed	BB2200	4 1/2" x 4 1/2"	A8112	BB700	CB1900	TA714	CB81
Stainless Steel, add 32D after part#							
"UL" Spring Hinge, Commercial	SH140 SH454	4 1/2" x 4 1/2" 4 1/2" x 4"	K8107-IF	1250	2060	1502	SP81
Stainless Steel, add 32D after part#							
"UL" Spring Hinge, Commercial / Residential	SH4458R SH44R SH35R SH3558R	4" x 4", (5/8" Rad.) 4" x 4", (1/4" Rad.) 3 1/2" x 3 1/2" (1/4" Rad.) 3 1/2" x 3 1/2" (5/8" Rad.)	K8107IF	1251	2060	1502	RS81
Steel, 4 Ball Bearings, Heavy Gauge	BB5210 BB5254 BB5200 BB52454	5" x 4 1/2" 5" x 4" 4 1/2" x 4 1/2" 4 1/2" x 4"	A8111 A5111 (Stainless Steel)	BB1168 BB1199 (Stainless Steel)	FBB168 FBB199 (Stainless Steel)	T4B3786 T4B3386 (Stainless Steel)	4B81 4B51 (Stainless Steel)
Stainless Steel, add 32D after part#							

◇◇◇ All hinges above are available in steel, brass and stainless steel. Brass base prefix "SB" before part #. Stainless steel add US32D after part #. Consult factory for more information on hinge comparisons not shown.

Intertek ETL SEMKO

September 24, 2003

Mr. Kaye Yashar
Cal-Royal Products, Inc.
6605 Flotilla St.,
City of Commerce, CA 90040

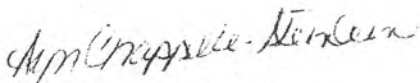
Dear Mr. Yashar:

Per your request the following is a summary of the results of testing on various model hinges:

Model	ANSI/BHMA Standard	Grade	Test Result	Intertek Report No.	Report Date
BB-31	A156.1-1997	2	COMPLIANT	3006833	11/15/01
TBH-30	A156.1-1997	3	COMPLIANT	3006833	04/05/01
BB5200	A156.1-2000	1	COMPLIANT	3038274-001	08/22/03

Thank you for turning to Intertek with your testing needs. If you have any questions or further needs, please contact us.

Sincerely,



Ayn Chappelle-Steinlein
Project Manager – Hardware
Building Products Group
Intertek



Intertek Testing Services NA, Inc.

8431 Murphy Drive, Middleton, WI 53562

Telephone: 608-836-4400 Fax: 608-831-9279 Web: www.intertek-etlsemko.com



Five knuckle non-rising removable pin, button tip and plug.

FULL MORTISE TEMPLATE HINGES
Plain Bearing . Standard Weight
 Brass ANSI A2133
 Stainless Steel ANSI A5133
 with stainless steel pin
 Steel with steel pin ANSI A8133

Cal-Royal Part #	Size Open (Inches)	Gauge of Metal	Number of Holes	Machine Screw Size	Wood Screw Size	Inner Box Quantity	Pieces/ Case
TBHSC33	3 x 3	.119	6	½ x 12-24	1 x 9	2 Ea.	100
TBHSC77 TBHRC66 (RC) ¼" Rad	3½ x 3½	.119	6	½ x 10-24	1 x 9	2 Ea.	100
TBHSC55 TBHRC44 (RC) ¼" Rad TBHRC5844 (RC) ⅝" Rad	4 x 4	.129	8	½ x 12-24	1 x 12	3 Ea.	48
TBHSC435	4 x 3½	.119	8	½ x 12-24	1 x 12	3 Ea.	48
TBH30	4½ x 4½	.134	8	½ x 12-24	1¼ x 12	3 Ea.	48
TBH454	4½ x 4	.134	8	½ x 12-24	1¼ x 12	3 Ea.	48
TBH54	5 x 4	.145	8	½ x 12-24	1¼ x 12	3 Ea.	24
TBH545	5 x 4½	.145	8	½ x 12-24	1¼ x 12	3 Ea.	24
TBH55	5 x 5	.145	8	½ x 12-24	1¼ x 12	3 Ea.	24
TBH645	6 x 4½	.160	10	½ x ¼-20	1½ x 14	3 Ea.	24
TBH65	6 x 5	.160	10	½ x ¼-20	1½ x 14	3 Ea.	24
TBH66	6 x 6	.160	10	½ x ¼-20	1½ x 14	3 Ea.	24

CAL-ROYAL PRODUCTS, INC. Template hinges are manufactured to close tolerances and meet all specifications and requirements set by the American National Standards Institute (ANSI A156.7). **All hinges are ANSI templates. All hinges above are available in steel, brass and stainless steel base. Brass base prefix "SB" before part #. Stainless steel add 32D after part #. All hinges above are packed with all wood and machine screws.**



Five knuckle two ball bearings, non-rising removable pin, button tip and plug.

FULL MORTISE TEMPLATE HINGES
Ball Bearing . Standard Weight
 Brass ANSI A2112
 Stainless Steel ANSI A5111
 with stainless steel pin
 Steel with steel pin ANSI A8112

Cal-Royal Part #	Size Open (Inches)	Gauge of Metal	Number of Holes	Machine Screw Size	Wood Screw Size	Inner Box Quantity	Pieces/ Case
BBSC33	3" x 3"	.123	6	½ x 10-24	1 x 9	2 Ea.	100
BBSC77	3½ x 3½	.123	6	½ x 10-24	1 x 9	2 Ea.	100
BBRC5835	3½ x 3½	.123	6	½ x 10-24	1 x 9	2 Ea.	100
BBSC56 BBRC45 (RC) ¼" Rad BBRC5844 (RC) ⅝" Rad	4 x 4	.129	8	½ x 12-24	1 x 12	3 Ea.	48
BBSC435	4 x 3½	.119	8	½ x 12-24	1 x 12	3 Ea.	48
BB454	4½ x 4	.134	8	½ x 12-24	1¼ x 12	3 Ea.	48
BB31	4½ x 4½	.134	8	½ x 12-24	1¼ x 12	3 Ea.	48
BB54	5 x 4	.145	8	½ x 12-24	1¼ x 12	3 Ea.	24
BB545	5 x 4½	.145	8	½ x 12-24	1¼ x 12	3 Ea.	24
BB55	5 x 5	.145	8	½ x 12-24	1¼ x 12	3 Ea.	24
BB645	6 x 4½	.160	10	½ x ¼-20	1½ x 14	3 Ea.	24
BB65	6 x 5	.160	10	½ x ¼-20	1½ x 14	3 Ea.	24
BB66	6 x 6	.160	10	½ x ¼-20	1½ x 14	3 Ea.	24

CAL-ROYAL PRODUCTS, INC. Template hinges are manufactured to close tolerances and meet all specifications and requirements set by the American National Standards Institute (ANSI A156.7). **All hinges are ANSI templates. All above hinges are available in steel, brass and stainless steel base. Brass base prefix "SB" before part #. Stainless steel add 32D after part #. All hinges above are packed with all wood and machine screws.**





LIFETIME WARRANTY

BHMA
CERTIFIED
Be Safe. Be Secure. Look for the Mark.



FULL MORTISE TEMPLATE HINGES
Ball Bearing . Heavy Weight
 Brass ANSI A2111
 Stainless Steel ANSI A5111
 with stainless steel pin
 Steel with steel pin ANSI A8111

Five knuckle four ball bearings, non-rising removable pin, button tip and plug.

Cal-Royal Part #	Size Open (Inches)	Gauge of Metal	Number of Holes	Machine Screw Size	Wood Screw Size	Inner Box Quantity	Pieces/Case
BB52454	4½ x 4	.180	8	½ x 12-24	1¼ x 12	3 Ea.	24
BB5200	4½ x 4½	.180	8	½ x 12-24	1¼ x 12	3 Ea.	24
BB5254	5 x 4	.190	8	½ x 12-24	1¼ x 12	3 Ea.	24
BB5210	5 x 4½	.190	8	½ x 12-24	1¼ x 12	3 Ea.	24
BB5500	5 x 5	.190	8	½ x 12-24	1¼ x 12	3 Ea.	24
BB6450	6 x 4½	.190 Stainless Steel .203 Steel & Brass	10	½ x ¼-20	1½ x 14	3 Ea.	24
BB6500	6 x 5	.190 Stainless Steel .203 Steel & Brass	10	½ x ¼-20	1½ x 14	3 Ea.	24
BB6600	6 x 6	.190 Stainless Steel .203 Steel & Brass	10	½ x ¼-20	1½ x 14	3 Ea.	24
BB8600	8 x 6	.190 Stainless Steel .203 Steel & Brass	16	½ x ¼-20	1½ x 14	3 Ea.	12
BB8800	8 x 8	.190 Stainless Steel .203 Steel & Brass	16	½ x ¼-20	1½ x 14	3 Ea.	12

CAL-ROYAL PRODUCTS, INC. Template hinges are manufactured to close tolerances and meet all specifications and requirements set by the American National Standards Institute (ANSI A156.7) **All hinges are ANSI templates. Hinge testing conforms to ANSI A156.1. All hinges above are available in steel, brass, and stainless steel base. Brass base prefix "SB" before part #. Stainless steel and 32D after part #. All hinges above are packed all wood and machine screws.**





FULL MORTISE TEMPLATE HINGES
Concealed Ball Bearing . Heavy Weight
 Brass ANSI A2111
 Stainless Steel ANSI A5111
 with stainless steel pin
 Steel with steel pin ANSI A8111

Three knuckles with concealed ball bearings, non-rising removable pin, concealed pin head and plug

Cal-Royal Part #	Size Open (Inches)	Gauge of Metal	Number of Holes	Machine Screw Size	Wood Screw Size	Inner Box Quantity	Pieces/Case
BB1000	4½ x 4	.180	8	½ x 12-24	1¼ x 12	3 Ea.	24
BB3300	4½ x 4½	.180	8	½ x 12-24	1¼ x 12	3 Ea.	24
BB7754	5 x 4	.190	8	½ x 12-24	1¼ x 12	3 Ea.	24
BB77545	5 x 4½	.190	8	½ x 12-24	1¼ x 12	3 Ea.	24
BB7755	5 x 5	.190	8	½ x 12-24	1¼ x 12	3 Ea.	24
BB77645	6 x 4½	.190 Stainless Steel .203 Steel & Brass	10	½ x ¼-20	1½ x 14	3 Ea.	24
BB7765	6 x 5	.190 Stainless Steel .203 Steel & Brass	10	½ x ¼-20	1½ x 14	3 Ea.	24
BB7766	6 x 6	.190 Stainless Steel .203 Steel & Brass	10	½ x ¼-20	1½ x 14	3 Ea.	24

CAL-ROYAL PRODUCTS, INC. Template hinges are manufactured to close tolerances and meet all specifications and requirements set by the American National Standards Institute (ANSI A156.7). **All hinges are ANSI templates. Hinge testing conforms to ANSI A156.1. All hinges above are available in steel, brass and stainless steel base. Brass base prefix "SB" before part #. Stainless steel and 32D after part #. All hinges above are packed with all wood and machine screws.**



FULL MORTISE TEMPLATE HINGES
Concealed Ball Bearing . Standard Weight
 Brass ANSI A2112
 Stainless Steel ANSI A5112
 with stainless steel pin
 Steel with steel pin ANSI A8112

Three knuckles with concealed ball bearings, non-rising removable pin, concealed pin head and plug

Cal-Royal Part #	Size Open (Inches)	Gauge of Metal	Number of Holes	Machine Screw Size	Wood Screw Size	Inner Box Quantity	Pieces/Case
BB223535	3½ x 3½	.119	6	½ x 10-24	1 x 9	2	100
BB224040	4 x 4	.129	8	½ x 12-24	1¼ x 12	3	48
BB22454	4½ x 4	.134	8	½ x 12-24	1¼ x 12	3	48
BB2200	4½ x 4½	.134	8	½ x 12-24	1¼ x 12	3	48
BB2254	5 x 4	.145	8	½ x 12-24	1¼ x 12	3	24
BB22545	5 x 4½	.145	8	½ x 12-24	1¼ x 12	3	24
BB2255	5 x 5	.145	8	½ x 12-24	1¼ x 12	3	24

CAL-ROYAL PRODUCTS, INC. Template hinges are manufactured to close tolerances and meet all specifications and requirements set by the American National Standards Institute (ANSI A156.7). **All hinges are ANSI templates. All hinges above are available in steel, brass and stainless steel base. Brass base prefix "SB" before part #. Stainless steel add 32D after part #. All hinges above are packed with all wood and machine screws.**



SPRING HINGE
Full Mortise . Template . Single Acting
 Steel ANSI K81071F



SH-35R-3.5 X 3.5



SH-4458R



SH-44R-4 X 4



SH-140-4.5 X 4.5

Cal-Royal Part #	Size Open (Inches)	Gauge of Metal	Number of Holes	Machine Screw Size	Wood Screw Size	Inner Box Quantity	Pieces/Case
SH35R (RC) ¼" Rad	3½ x 3½	.115	6	½ x 10-24	1 x 9	2	48
SH3558R (RC) ⅝" Rad	3½ x 3½	.115	6	½ x 10-24	1 x 9	2	48
SCSH35	3½ x 3½	.115	6	½ x 10-24	1 x 9	2	48
SH44R (RC) ¼" Rad Template	4 x 4	.115	8	½ x 12-24 with #10 head	1 x 10	2	48
SH4458R (RC) ⅝" Rad Non Template	4 x 4	.115	8	½ x 12-24 with #10 head	1 x 10	2	48
BENSH4458R (RC) ⅝" Rad (Benchmark)	4 x 4	.115	8	½ x 12-24 with #10 head	1 x 10	2	48
SH454	4½ x 4	.134	8	½ x 12-24	1¼ x 12	2	48
SH140	4½ x 4½	.134	8	½ x 12-24	1¼ x 12	2	48

CAL-ROYAL PRODUCTS, INC. Template hinges are manufactured to close tolerances and meet all specifications and requirements set by the American National Standards Institute (ANSI A156.7). **All hinges are ANSI templates. Hinge testing conforms to ANSI A156.1. All hinges above are available in steel and stainless steel base. Add 32D after part # for stainless steel hinges. All hinges above are packed with all wood and machine screws.**

Maximum Door Sizes & Weights

Size	Recommended Max Door Weight (Lbs)	*Spring Hinges	Butt Hinges Labeled Doors Require Ball Bearing Hinges
3 ½" (Full Mortise)	50	2 Ea.	1 Ea.
	70	2 Ea.	1 Ea.
	90	3 Ea.	-----
4" (Full Mortise)	60	2 Ea.	1 Ea.
	85	2 Ea.	1 Ea.
	110	3 Ea.	-----
4 ½" (Full Mortise)	70	2 Ea.	1 Ea.
	115	2 Ea.	1 Ea.
	150	3 Ea.	-----

HINGE SELECTION

***Notes:** Wind conditions, excessive air pressure on one side of opening, or other adverse job conditions may require the use of all spring hinges. For maximum versatility use all spring hinges. U/L listed spring hinges are not available with reverse springs.





**LIFETIME
WARRANTY**

Standard Lengths

Cal-Royal continuous hinge length provides for actual threshold clearance, head clearance and door height allowances for carpeting. Other lengths may be ordered as non-standard items. Our standard actual lengths are 83" (7'0" opening), 95" (7'2" to 8'0" opening).

Special Lengths

Special lengths are considered non-standard items and may not be grouped with standard items or other Cal-Royal Products, to achieve a lower discount. Any Changes to the special length products may be subject to charges for work in process. Templates available on request and on website.

Field Modifications

Cal-Royal continuous hinges can be cut in the field, however, any product modifications may void all warranties. If field modifications must be made, cut only the underside or bottom of the hinge.

Standard Finishes

Cal-Royal continuous hinges are available in either Clear Anodized Aluminum (US28) or Dark Bronze Anodized (Duranodic 313 or equivalent). Special finishes are available subject to quantity & factory lead time

Fire Ratings - Underwriters Laboratory Fire Rating			
FIRE RATED CAL-ROYAL	FULL CONCEALED	HALF SURFACE	FULL SURFACE
SURFACE	FULL	U/L---FF	U/L---FF
SURFACE	U/L---FF	U/L---FF	U/L---FF
90 Minute Fire Rated Wood Door x Fire Rated Hollow Metal Frame	* U/L---Stud	U/L---Stud	U/L---Stud
90 Minute Fire Rated Metal Door x Fire Rated Hollow Metal Frame	U/L---FF	U/L---FF	U/L---FF
3 Hour Fire Rated Hollow Metal Door x Fire Rated Hollow Metal Frame	*U/L---Stud	U/L---Stud	U/L---Stud
Maximum Size of Single Rated Door Leaf 4'0" Wide x 10'0" High			
Maximum Rated Opening Size for Single Door 4'0" Wide x 10'0" High			

* Devices for which Studs are required

Cal-Royal continuous hinges are approved for use on swing type doors of hollow metal, tinclad, sheet-metal and steel covered composite type rated up to and including 3 hours. Wood composite doors rated up to and including 1½ hours.

Fully Concealed - These models are concealed between the rabbet of the frame and the hinge edge of the door.

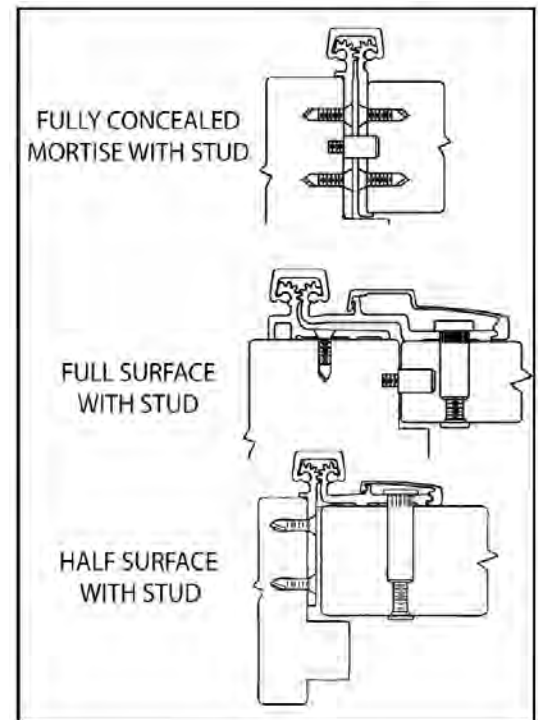
Models available: *CRHD781110, CRHD781120, CRHD782240*

Full Surface - These models have the frame leaf mounted to the face of the frame and the face of the door. The door leaf is mounted to the door with through bolts.

Models available: *CRHD780570, CRHD781570, CRHD782100*

Half Surface – These models have the frame leaf concealed between the rabbet of the frame and the edge of the door. The door leaf is mounted to the face of the door with sex bolts or screws.

Models available: *CRHD780530*

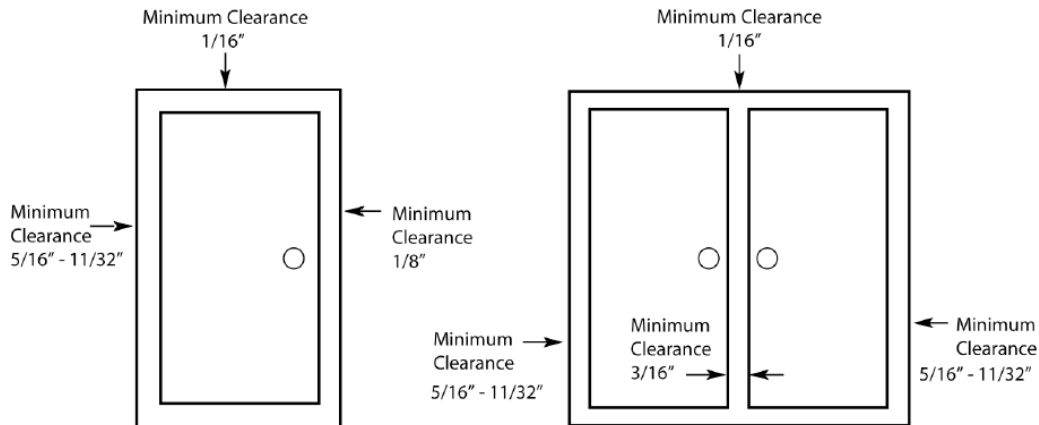


**Dimensioning Door and Frame ---- Full Concealed Mortised Models
CRHD781110, CRHD781120, CRHD782240**

The Above models are primarily used for new doors and frames. Both leaves are fully Mortised. They can also be used on renovations for a new door with an existing frame or an existing door with a new frame. These hinges will cover existing standard full Mortise hinge preps.

Required Clearance

Single Doors (Square Edged)	STANDARD		METRIC
A. Thickness of Hinge	5/16"	(10/32")	8.0 mm
B. Allowances for frame irregularities	1/32"	(1/32")	0.8 mm
C. Single Door Clearance on lock side	1/8"	(4/32")	3.2 mm
	Total	15/32"	12.0 mm
Single Doors (Beveled Edged)			
A. Thickness of Hinge	5/16"	(10/32")	8.0 mm
B. Allowances for frame irregularities	1/32"	(1/32")	0.8 mm
C. Single Door Clearance on lock side	1/8"	(4/32")	3.2 mm
D. Allowance for beveled edge	1/32"	(1/32")	0.8 mm
	Total	16/32"	12.8 mm
Pairs of Doors (Square Edged)			
A. Thickness of Hinge	5/16"	(10/32")	8.0 mm
B. Allowances for frame irregularities	1/32"	(1/32")	0.8 mm
C. Recommended Edge to Edge clearance	3/16"	(6/32")	4.8 mm
D. Second allowance for frame irregularities	1/32"	(1/32")	0.8 mm
E. Second hinge thickness	5/16"	(10/32")	8.0 mm
	Total	28/32"	22.4 mm
Pairs of Doors (Beveled Edge)			
A. Thickness of Hinge	5/16"	(10/32")	8.0 mm
B. Beveled Edge allowance	1/32"	(1/32")	0.8 mm
C. Allowances for frame irregularities	1/32"	(1/32")	0.8 mm
D. Recommended Edge to Edge clearance	3/16"	(6/32")	4.8 mm
E. Second allowance for frame irregularities	1/32"	(1/32")	0.8 mm
F. Second allowance for beveled edge	1/32"	(1/32")	0.8 mm
G. Second hinge thickness	5/16"	(10/32")	8.0 mm
	Total	30/32"	24.0 mm



Determining Door & Frame Dimensions - Full Surface Models
CRHD780570, CRHD781570, CRHD782100

The Above models require no special dimensioning, they are designed for retrofit applications. Full Surface models are designed to be mounted to the exposed surface of the door and frame. Additional clearance is not needed except for door and frame painting.

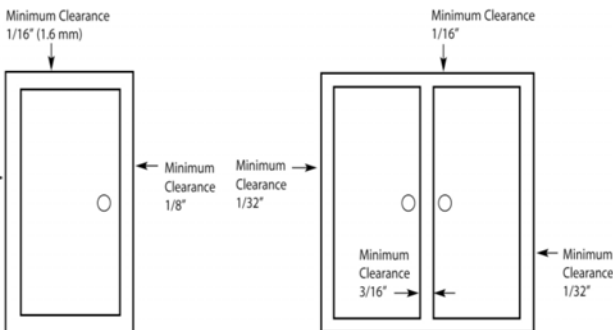
Required Clearance

Single Doors (Square & Beveled Edge)	STANDARD		METRIC
A. Thickness of Hinge	0"	(0")	0.0 mm
B. Additional allowance for door and frame painting (optional)	1/32"	(1/32")	0.8 mm
C. Clearance for Single Door Lock side	1/8"	(4/32")	3.2 mm
	TOTAL	5/32"	4.0 mm

Required Clearance

Single Doors (Square & Beveled Edge)	STANDARD		METRIC
A. Thickness of Hinge	0"	(0")	0.0 mm
B. Frame Irregularities, additional allowance	1/32"	(1/32")	0.8 mm
C. Recommended clearance, edge to edge	3/16"	(6/32")	4.8 mm
D. Frame irregularities, second allowance	1/32"	(1/32")	0.8 mm
E. Second hinge thickness	0"	(0")	0.0 mm
	TOTAL	8/32"	6.4 mm

Note: Additional clearance may be required for paint or weatherstripping



Determining Door & Frame Dimensions - Half Surface Models
CRHD780530

The Above model is designed for use in new doors and frames wherein one leaf is concealed and one leaf is surface mounted. This can also be used in retrofit applications in cases where a new door is installed on an existing frame. Half Surface models are designed for one leaf to be mounted to the exposed surface of the door and the other leaf is concealed on the frame.

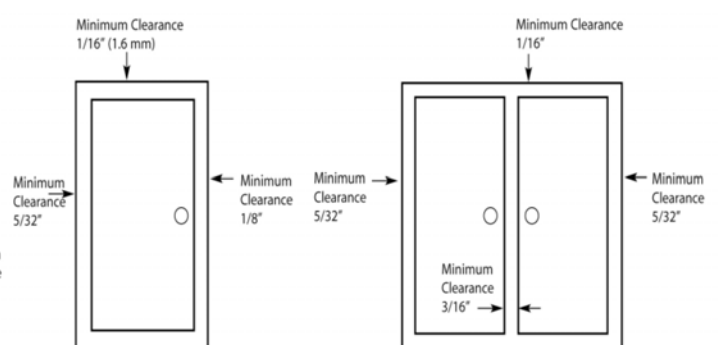
Required Clearance

Single Doors (Square & Beveled Edge)	STANDARD		METRIC
A. Thickness of Hinge	1/8"	(4/32")	3.2 mm
B. Additional allowance for door and frame painting (optional)	1/32"	(1/32")	0.8 mm
C. Clearance for Single Door Lock side	1/8"	(4/32")	3.2 mm
	TOTAL	9/32"	7.2 mm

Required Clearance

Single Doors (Square & Beveled Edge)	STANDARD		METRIC
A. Thickness of Hinge	1/8"	(4/32")	3.2 mm
B. Frame Irregularities, additional allowance	1/32"	(1/32")	0.8 mm
C. Recommended clearance, edge to edge	3/16"	(6/32")	4.8 mm
D. Frame irregularities, second allowance	1/32"	(1/32")	0.8 mm
E. Second hinge thickness	1/8"	(4/32")	3.2 mm
	TOTAL	8/32"	12.8 mm

Note: Additional clearance may be required for paint or weatherstripping



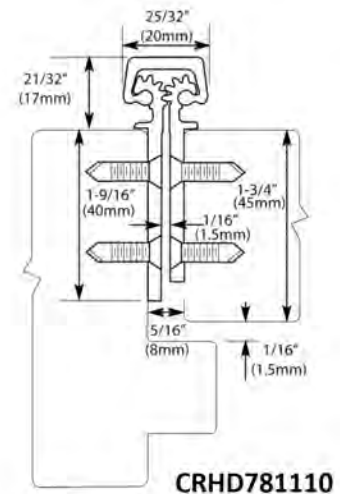
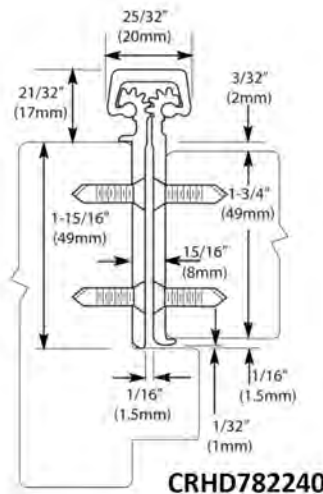
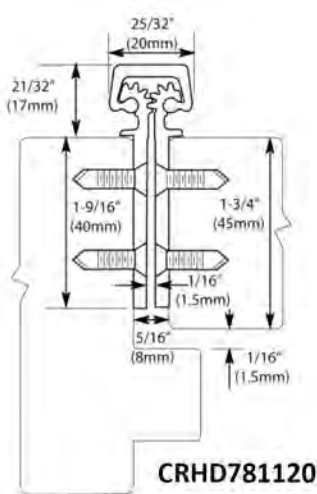
Concealed / Mortise Leaf • Any Door Material • Heavy Duty

Heavy Duty for high frequency 1 3/4" doors or heavy medium frequency doors up to 450 lbs.

CRHD781110 (Heavy Duty), CRHD781120 (Heavy Duty), CHRHD782240 (Heavy Duty)

MODEL#	LENGTH		SCREW COUNT		CLEARANCE
	IN	CM	DOOR	JAMB	
CRHD781110	83	210.8	19	19	5/16" (8mm) hinge side plus standard lockside clearance
CRHD781110	95	241.3	19	19	
CRHD781120	83	210.8	19	19	
CRHD781120	95	241.3	19	19	
CRHD782240	83	210.8	19	19	
CRHD782240	95	241.3	19	19	

- FASTENERS:** Self-Tapping screws
Full Mortise Hinges
 - All fasteners are No. 12-24 x 1/16" Type C, FHUC
 - Heavy Duty Hinges - 10 required for each leaf
 - Wood Screw - on request (specify on order)
- LENGTH OPTIONS:** 83" & 95"
- DOOR REINFORCEMENT:** None needed to 200lbs.
Use 16 gauge channel over 200 lbs.
- FIRE RATING:** Up to 3 Hours
- SPECIAL FEATURES:** For new construction
For renovation with new doors and/or frames
No mortising of doors or frames required
Will cover hinge cut outs in frames
Flush mount no inset
Frame and door leaf alignment ribs for proper hinge location
- ELECTRIFICATION:** Available. See page 25



Full Surface • Any Door Material • Heavy Duty

Heavy Duty for high frequency 1 3/4" doors or heavy medium frequency doors up to 450 lbs.

CRHD781570 (Heavy Duty), CRHD782100 (Heavy Duty), CRHD780570 (Heavy Duty)

MODEL#	LENGTH		SCREW COUNT		CLEARANCE
	IN	CM	DOOR	JAMB	
CRHD781570	83	210.8	19	19	1/32" (1mm) minimum recommended for hinge side plus standard lock case clearance
CRHD781570	95	241.3	20	20	
CRHD782100	83	210.8	19	19	1/32" (1mm) minimum recommended for hinge side plus standard lock case clearance 1 5/8" (41mm) minimum frame face required plus 3/16" (5mm) rotational clearance
CRHD782100	95	241.3	20	20	
CRHD780570	83	210.8	8	8	1/32" (1mm) minimum required between doors
CRHD780570	95	241.3	9	9	

FASTENERS:

Self-Tapping screws

Full Surface Hinges

<p>1) Frame Portion</p> <p>a) All fasteners are No. 12-24 x 1/16" Type C, FHUC</p> <p>i) Heavy Duty Hinges - 10 required for each leaf</p> <p>ii) Wood Screw - on request (specify on order)</p>	<p>2) Door Portion</p> <p>a) Thrubolt 1/4 -20 x 1 5/8" PCH</p> <p>i) Heavy Duty Hinges – 6 required for each leaf</p> <p>b) Shoulder bolt 1/4 -20 x 1" PCH</p> <p>i) Heavy Duty Hinges – 6 required</p> <p>c) Pan Head Self Drilling No. 12 x 3/4"</p> <p>i) Heavy Duty Hinges – 4 required</p>
--	---

LENGTH OPTIONS:

83" & 95"

DOOR REINFORCEMENT:

None needed

FRAME REINFORCEMENT:

None needed to 200 lbs.

Use 16 gauge channel over 200 lbs

FIRE RATING:

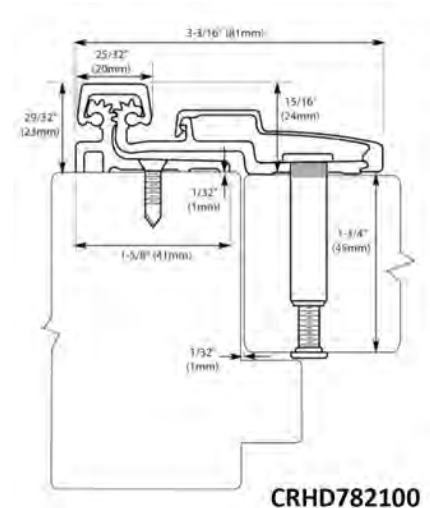
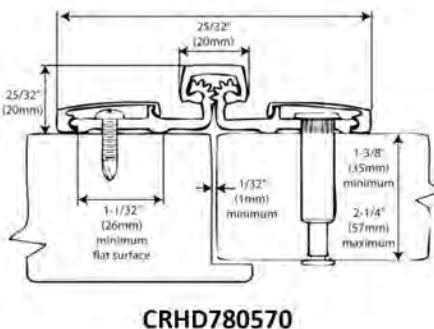
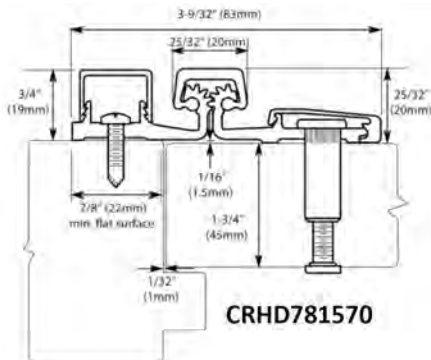
Up to 3 Hours.

SPECIAL FEATURES:

Replacement for existing doors and frames

7/8" minimum frame

1/16" inset



Half Surface • Any Door Material • Heavy Duty

Heavy Duty for high frequency 1 3/4" doors or heavy medium frequency doors up to 450 lbs.

CRHD780530 (Heavy Duty)

MODEL#	LENGTH		SCREW COUNT		CLEARANCE
	IN	CM	DOOR	JAMB	
CRHD780530	83	210.8	8	9	5/32" (4mm) minimum recommended hinge side plus standard lockside clearance
CRHD780530	95	241.3	19	19	

FASTENERS:

Self-Tapping screws

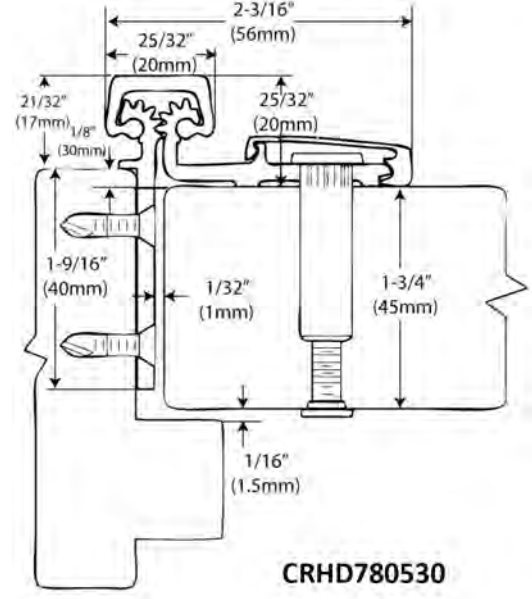
Full Surface Hinges

1) Frame Portion

- a) All fasteners are No. 12-24 x 1/16" Type C, FHUC
 - i) Heavy Duty Hinges - 10 required for each leaf
 - ii) Wood Screw - on request (specify on order)

2) Door Portion

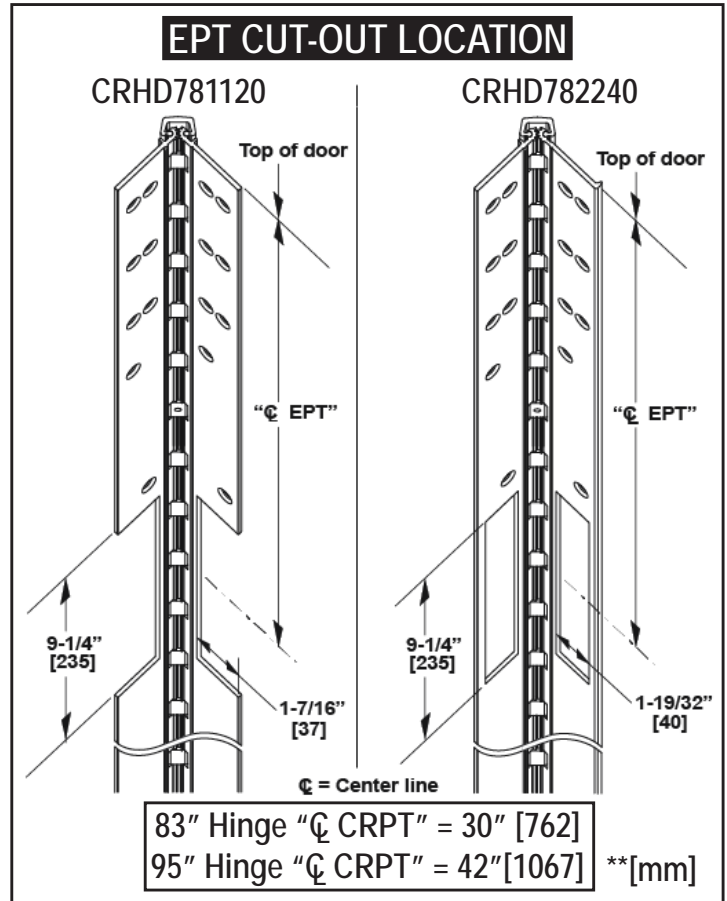
- a) Thru-bolt 1/4 -20 x 1 5/8" PCH
 - i) Heavy Duty Hinges – 6 required for each leaf
- b) Shoulder bolt 1/4 -20 x 1" PCH
 - i) Heavy Duty Hinges – 6 required
- c) Pan Head Self Drilling No. 12 x 3/4"
 - i) Heavy Duty Hinges – 4 required



- **LENGTH OPTIONS:** 83" & 95"
- **DOOR REINFORCEMENT:** None needed
- **FRAME REINFORCEMENT:** None needed to 200 lbs. Use 16 gauge channel over 200 lbs
- **FIRE RATING:** Up to 3 Hours.
- **SPECIAL FEATURES:**
 - For new construction
 - For renovation with new doors and / or frames
 - No mortising of doors or frames required
 - Will cover hinge cut outs in frames
 - Flush mount no inset
 - Frame and door leaf alignment ribs for proper hinge location

► **Electrification**

ITEM#	NO. OF WIRES	CONTINUOUS HINGE ELECTRIFICATION MODIFICATIONS FOR CRHD781120 AND CRHD782240 ONLY
CET8CRHD781120 CLR	8	Removable 12" Aluminum Gear Hinge Can easily be removed for adjustment and service.
CET8CRHD781120 DB		
CET8CRHD782240 CLR		
CET8CRHD782240 DB		
EPT	--	Cut-out according to Von Duprin Part # EPT-10 and Cal-Royal CRPT-10, CRPT-10C and CRPT-2 location



◆◆FOR OTHER LOCATIONS CONSULT FACTORY◆◆



CET8CRHD782240



CET8CRHD781120



CONTINUOUS HINGE MODEL CROSS REFERENCE

CAL-ROYAL	ROTON	PEMKO	MARKAR	MCKINNEY	ZERO	STANLEY	ABH	SELECT
CRHD781120	780-112HD	FMSLFHD	FM2000	MCK12HD	910DB	661HD	A110HD	SL11HD
CRHD782240	780-224HD	FMHD	FM2001	MCK25HD	914DB	662HD	A240HD	SL24HD
CRHD781570	780-157HD	FSCPHD	---	MCK58HD	935DB	664HD	A570HD	SL57HD
CRHD782100	780-210HD	FSHD	FM2009	MCK22HD	930DB	665HD	A210HD	SL21HD
CRHD781110	780-111HD	FMSLIHD	---	MCK-14HD	---	---	A111HD	SL18HD
CRHD780530	780-053HD	---	---	---	925DB	---	A530HD	SL53HD
CRHD780570	---	---	FS 2002	---	---	---	A571HD	SL60HD

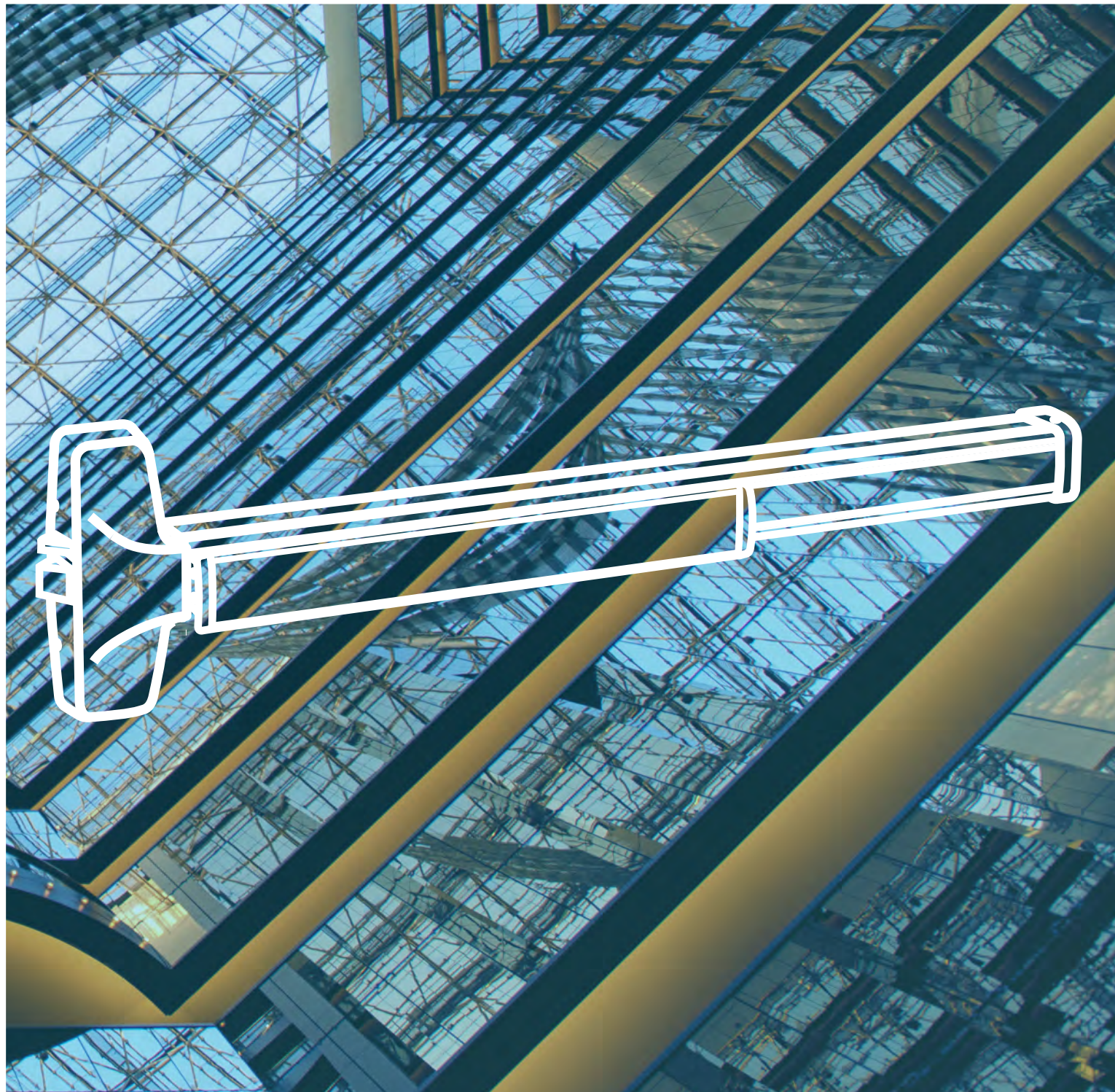


EXIT DEVICES





EXIT DEVICES



EXIT DEVICES

TABLE OF CONTENTS

I. 7700 SERIES

RIM AND SURFACE VERTICAL RODS

7700 & F7700 Rim Type Panic and Fire Exit Devices	
7760 & F7760 Vertical Rod Panic and Fire Exit Devices.....	1
7700 & F7700 Series.....	2
7760V & F7760V Series.....	3
LBR7760V & F7760V Series.....	4
Alarm Exit Hardware.....	7
7700 Rim and Surface Vertical Rods Trim Selection.....	8

CONCEALED VERTICAL RODS

MCVR7700 & FMCVR7700 Series.....	16
WCVR7700 & FWCVR7700 Series.....	17
7700 Concealed Vertical Rods Trim Selection.....	18

MORTISE RIMS

MR7700 & FMR7700 Series.....	19
7700 Mortise Rim Trim Selection.....	20

GLASS / NARROW STILES

GLS7700 Series.....	21
GLSCVR7700 & FGLSCVR7700 Series.....	22
7700 Glass / Narrow Stiles Trim Selection.....	23

DELAYED EGRESS

DE7700 Series Delayed Egress.....	5
7700 Series Delayed Egress Models.....	6

ELECTRIFICATIONS

Electrified Lever Trim.....	12
(ELR) Electric Latch Retraction.....	13
Signal Switch RX and LX.....	13
Power Supplies For Electrified Exit Devices.....	15

HEAVY DUTY DIGITAL EXIT TRIMS.....

STRIKES & ACCESSORIES.....

FIRE EXIT HARDWARE SELECTOR.....

EXIT DEVICES COMPARISON CHART.....

II. 9800 SERIES

RIM AND SURFACE VERTICAL RODS

9800 & F9800 Rim Type Panic and Fire Exit Devices (ADA Optional) / 9860 & F9860 Vertical Rod Panic and Fire Exit Devices (ADA Optional).....	29
9800 & F9800 Series	
A9800 & AF9800 ADA Series.....	30
9860V & F9860V Series	
A9860V & AF9860V ADA Series.....	31
LBR9860V & LBRF9860V Series	
ALBR9860V & ALBRF9860V ADA Series.....	32
Alarm Exit Hardware.....	33
9800 Rim and Surface Vertical Rods Trim Selection.....	34

CONCEALED VERTICAL RODS

MCVR9800 & FMCVR9800 Series.....	42
WCVR9800 & FWCVR9800 Series.....	43
9800 Concealed Vertical Rods Trim Selection.....	44

MORTISE RIMS

MR9800 & FMR9800 Series	
AMR9800 & AFMR9800 ADA Series.....	45
9800 Mortise Rim Trim Selection.....	46

GLASS / NARROW STILES

GLS9800 Series.....	47
GLSCVR9800 & FGLSCVR9800 Series.....	48
9800 Glass / Narrow Stiles Trim Selection.....	49

ELECTRIFICATIONS

Electrified Lever Trim.....	38
(ELR) Electric Latch Retraction.....	39
Signal Switch RX and LX.....	39
Power Supplies for Electrified Exit Devices.....	41

HEAVY DUTY DIGITAL EXIT TRIMS.....

STRIKES & ACCESSORIES.....

FIRE EXIT HARDWARE SELECTOR.....

EXIT DEVICES COMPARISON CHART.....

III. 2200 SERIES

RIM AND SURFACE VERTICAL RODS

2200 & F2200 Rim Type Panic And Fire Exit Devices (ADA Optional) / 2260 & F2260 Vertical Rod Panic And Fire Exit Devices (ADA Optional).....	56
2200 & F2200 Series	
A2200 & AF2200 ADA Series.....	57
2260V & F2260V Series	
A2260V & F2260V ADA Series.....	58
LBR2260V & LBRF2260V Series	
ALBR2260V & ALBRF2260V ADA Series.....	59
Alarm Exit Hardware.....	60
2200 Rim and Surface Vertical Rods Trim Selection..	61

ELECTRIFICATIONS

Electrified Lever Trim.....	64
(ELR) Electric Latch Retraction.....	65
Signal Switch RX and LX.....	65
Power Supplies for Electrified Exit Devices.....	66

HEAVY DUTY MECHANICAL PUSH BUTTON LOCK..

KABA® - CAL-ROYAL COMBINATION.....

STRIKES & ACCESSORIES.....

FIRE EXIT HARDWARE SELECTOR.....

EXIT DEVICES COMPARISON CHART.....

IV. 4400 SERIES

4400 SERIES RIM TYPE PANIC EXIT DEVICE.....	82
4400 Trim Selection.....	83

V. 5000 SERIES

RIM AND SURFACE VERTICAL RODS

5000 & F5000 Rim Type Panic and Fire Exit Devices.	72
5000 & F5000 Series.....	73
T5000 & TF5000 Rim Type Panic And Fire Exit Devices / T5000V & TF5000V Vertical Rod Panic And Fire Exit Devices.....	74
T5000 & TF5000 Series.....	75
T5000V & TF5000V Series.....	76
5000 Rim And Surface Vertical Rods Trim Selection..	77

STRIKES & ACCESSORIES.....

FIRE EXIT HARDWARE SELECTOR.....

VI. MULLIONS

REMOVABLE AND LOCKABLE MULLIONS.....	84
---	----

7700 & F7700 Rim Type Panic And Fire Exit Devices 7760 & F7760 Vertical Rod Panic And Fire Exit Devices ANSI A156.3, Grade 1



CONFIGURATION	MAX FRAME DIMENSIONS	LOCK TYPE	DESIGN PRESSURE (PSF) INSWING / OUTSWING	
			POSITIVE	NEGATIVE
SINGLE	40" X 88"	7700V SERIES 7700 SERIES	+70.0	-70.0
DOUBLE	76" x 88"	7700V SERIES	+70.0	-70.0

Features & Construction

- ◆ **Retrofits Von Duprin 99 & 98 Series using 7700 Escutcheon Trim**
- ◆ For use in institutions, schools, universities, commercial buildings where heavy duty reliable operation is a requirement
- ◆ ANSI A156.3, Grade 1 heavy duty exit device in surface vertical rod and rim designs
- ◆ Rail assemblies are heavy duty extruded aluminum body with Stainless Steel push pad and end caps are made of brass, bronze or stainless steel. Rail travels in direction of the door swing
- ◆ Trims are thru-bolted for additional security
- ◆ Conforms & Meets ADA Regulations
- ◆ UL Listed for Panic and ULC10C, UBC 7-2-1997 codes
- ◆ UL Listed for Fire Exit Hardware. 3 hours
- ◆ (A) label rating on pairs of doors up to 8'0" x 8'0" swinging in same or opposite directions
- ◆ Uncompromising security and safety in single and double fire exit doors
- ◆ Chassis mounted unit construction. Rim and vertical rod devices are non-handed and easily reversible
- ◆ Available in many different functions. Lever and escutcheon trims are grade 1 construction with clutch on rose trims. Escutcheon trims are rigid and covers 161 cut out

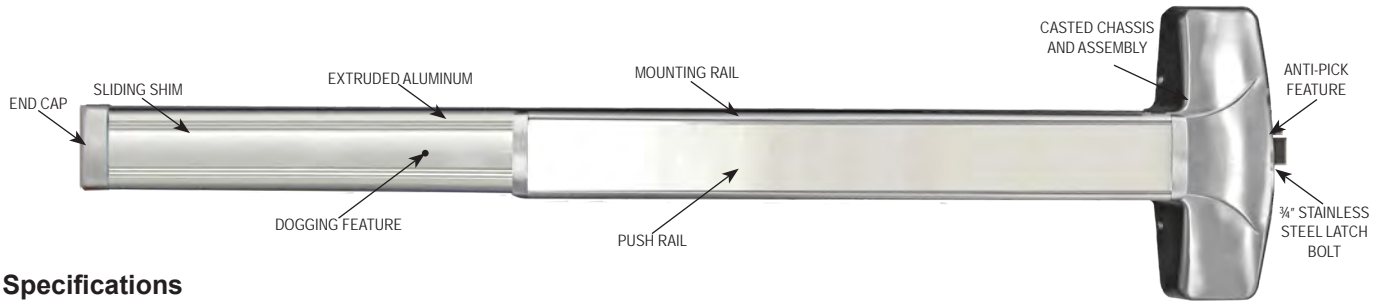
Suggested Architect's Specifications

- ◆ All exit devices shall be of touch bar design with smooth operation and be operative over 2/3 of the door's clear opening width
- ◆ All exit devices must be listed under "Panic Hardware" in the Accident Equipment List of Underwriters' Laboratories, Inc. Where labeled doors are used as exits, they must be equipped with labeled Fire Exit Hardware and UL10C, UBC 7-2-1997 codes
- ◆ All springs shall be of Stainless Steel throughout
- ◆ All exit devices shall be of chassis mounted unit construction.
- ◆ All exit devices shall be ANSI A156.3, Grade 1

7700 & F7700 Series



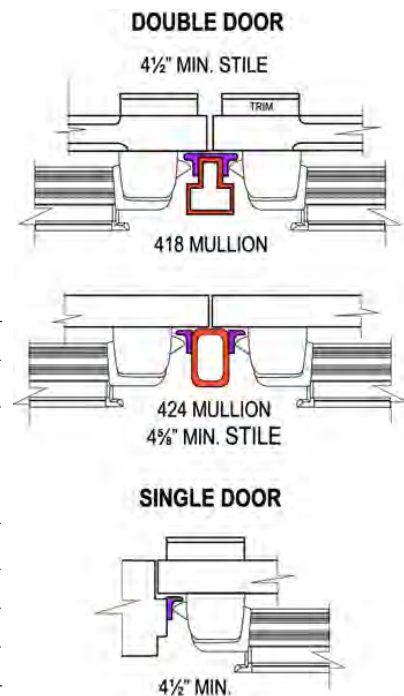
GRADE 1 Rim Type Exit Device



Specifications

For Doors.....	1 3/4" thick standard optional 2 1/4" thick. 4 1/2" minimum stile width for single or double door application using standard 938 strike and pull lever, thumbpiece and escutcheon trims. 2 3/4" backset
Chassis.....	Non-ferrous Alloy (Panic Grade), Steel (Fire Grade)
Cover.....	Non-ferrous plated material. Covers stock hollow metal doors with 161 cut out
Mounting.....	Furnished with wood and machine screws. Available thru-bolts on request. Thru-bolts are included and standard packaging on fire rated devices
End Cap.....	Brass, Bronze or Stainless Steel construction
Alarm.....	Available. Prefix "NALRM" before MODEL #
Hand.....	Non-handed, center hub for 2 3/4" backset
Latch Bolt.....	Stainless Steel 3/4" throw with anti-pick feature
Spring.....	Stainless Steel throughout
ANSI Standard.....	A156.3, Grade 1
Rail Assembly.....	Heavy gauge extruded aluminum body with Stainless Steel push pad
Strike.....	938 packed standard (See strike page)
Dogging Feature.....	Allen-type key furnished standard on non-fire labeled devices
Mullion.....	Available
UL and ULC Listed.....	7700 Series for panic. F7700 Series for fire exit hardware for all types of 4' x 8' single doors and 8' x 8' double doors for up to 3 hour fire labeled installations. Conforms to standards UL10C and UBC 7-2-1997 codes
Finish.....	Architectural plated finishes
Electronic Functions.....	(ELR) Electrical Latch Retraction and RX & LX Signal Switch available

4 1/2" Minimum Stile Requirements



DIMENSIONS

Touchbar height to finished floor 41" (1041 mm) at center

Touchbar projection

Neutral 3 5/8" (92 mm)

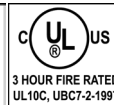
Depressed 2 7/8" (73 mm)

Center case 8 1/16" x 2 3/4" x 2 1/2" (205 mm x 70 mm x 63 mm)

MODEL	ACTUAL LENGTH	MAX CUT DOWN	DOOR SIZE
7700EO36 and F7700EO36	32"	6"	30" to 36" door width
7720EO48 and F7720EO48	44"	10"	38" to 48" door width

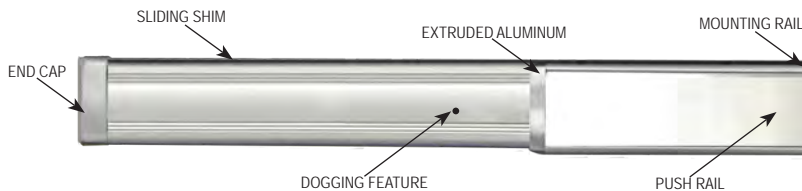
7760V & F7760V Series

GRADE 1 Vertical Rod Type Exit Device



Specifications

For Doors.....	1 3/4" thick standard optional 2 1/4" thick. 3 3/4" minimum stile width required for single door application. 3 1/2" minimum stile width required for double door application. Lever, thumb piece and escutcheon trims available. 2 3/4" backset
Top & Bottom Chassis.....	Non-ferrous Alloy (Panic Grade), Steel (Fire Grade)
Cover.....	Non-ferrous plated material. Covers stock hollow metal doors with 161 cut out.
Mounting.....	Furnished with wood and machine screws. Thru-bolts are included and standard packaging on fire rated devices.
End Cap.....	Brass, Bronze or Stainless Steel construction
Alarm.....	Available. Prefix "NALRM" before MODEL #
Hand.....	Handed. Easily field reversible. Specify at time of order LHR, RHR for convenience



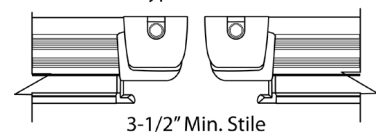
Latch Bolt & Spring.....	Stainless Steel
Spring.....	Stainless Steel throughout
ANSI Standard.....	A156.3, Grade 1
Rail Assembly.....	Heavy gauge extruded aluminum body with Stainless Steel push pad
Strike.....	See strike page
Dogging Feature.....	Allen-type key furnished standard on non-fire labeled devices
UL and ULC Listed.....	7760 Series for panic. F7760 Series for fire exit hardware for all types of 8' x 10' double doors for up to 3 hour fire labeled installations. Conforms to standards UL10C and UBC 7-2-1997 codes
Finish.....	Architectural plated finishes
Electronic Functions.....	(ELR) Electrical Latch Retraction and RX & LX Signal Switch available

DIMENSIONS

Touch bar height to finished floor	41" (1041 mm) at center
Touch bar projection	
Neutral	3 5/8" (92 mm)
Depressed	2 7/8" (73 mm)
Center case	8 1/16" x 2 3/4" x 2 1/2" (205 mm x 68 mm x 62 mm)
Panic grade top & bottom latch case	3 15/16" x 2 1/8" x 1 3/8" (100 mm x 52 mm x 42 mm)
Fire grade top latch case	3 15/16" x 2 9/16" x 2 1/16" (100 mm x 68 mm x 53 mm)
Fire grade bottom latch case	3 15/16" x 2 1/8" x 1 3/8" (100 mm x 52 mm x 42 mm)
Top and bottom rod length for 36" x 84" doors	Top rod 37 1/2" (955 mm), bottom rod 35 5/8" (905 mm)
Top and bottom rod length for 48" x 96" doors	Top rod 49 5/8" (1260 mm), bottom rod 35 5/8" (905 mm)
Vertical Rods	1/2" (13 mm) Round tubing

MINIMUM STILE REQUIREMENTS

Double Door with Two Vertical Rod Type Exit Devices



MODEL	ACTUAL SIZE	MAXIMUM CUT DOWN	DOOR SIZE
7760V3684, F7760V3684, 7790V3696, F7790V3696, 7750V36120, F7750V36120	32"	6"	30" to 36" door width
7780V4896, F7780V4896, 7740V48120, F7740V48120	44"	10"	38" to 48" door width

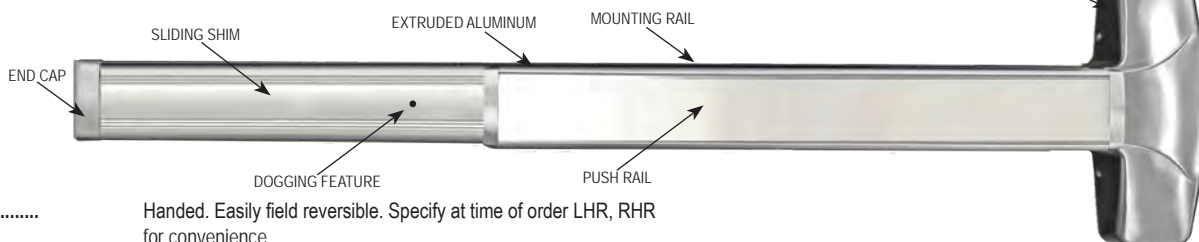
LBR7760V & LBRF7760V Series

GRADE 1 Vertical Rod Exit Device Less Bottom Rod (LBR)



Specifications

For Doors.....	1 3/4" thick standard optional 2 1/4" thick. 3 3/4" minimum stile width required for single door application. 3 1/2" minimum stile width required for double door application. Lever, thumb piece and escutcheon trims available. 2 3/4" backset
Top Chassis.....	Non-ferrous Alloy (Panic Grade), Steel (Fire Grade)
Cover.....	Non-ferrous plated material. Covers stock hollow metal doors with 161 cut out
Mounting.....	Furnished with wood and machine screws. Thru-bolts are included and standard packaging on fire rated devices
End Cap.....	Brass, Bronze or Stainless Steel construction
Alarm.....	Available. Prefix "NALRM" before MODEL #



CASTED CHASSIS AND ASSEMBLY

Hand.....	Handed. Easily field reversible. Specify at time of order LHR, RHR for convenience
Latch Bolt & Spring.....	Stainless Steel
Spring.....	Stainless Steel throughout
ANSI Standard.....	A156.3, Grade 1
Rail Assembly.....	Heavy gauge extruded aluminum body with Stainless Steel push pad
Strike.....	See strike page
Dogging Feature.....	Allen-type key furnished standard on non-fire labeled devices
UL and ULC Listed.....	7760 Series for panic. F7760 Series for fire exit hardware for all types of 8' x 8' double doors for up to 3 hour fire labeled installations. Conforms to standards UL10C and UBC 7-2-1997 codes
Finish.....	Architectural plated finishes
Electronic Functions.....	(ELR) Electrical Latch Retraction and RX & LX Signal Switch available

AUXILLIARY FIRE LATCH ASSEMBLY INCLUDED



DIMENSIONS

Touch bar height to finished floor	41" (1041 mm) at center
Touch bar projection	
Neutral	3 5/8" (92 mm)
Depressed	2 7/8" (73 mm)
Center case	8 1/16" x 2 3/4" x 2 1/2" (205 mm x 68 mm x 62 mm)
Panic grade top & bottom latch case	3 15/16" x 2 1/8" x 1 3/8" (100 mm x 52 mm x 42 mm)
Fire grade top latch case	3 15/16" x 2 9/16" x 2 1/16" (100 mm x 68 mm x 53 mm)
Fire grade bottom latch case	3 15/16" x 2 1/8" x 1 3/8" (100 mm x 52 mm x 42 mm)
Top rod length for 36" x 84" doors	Top rod 37 1/2" (955 mm)
Top rod length for 48" x 96" doors	Top rod 49 5/8" (1260 mm)
Vertical Rods	1/2" (13 mm) Round tubing

MINIMUM STILE REQUIREMENTS

Double Door with Two Vertical Rod Type Exit Devices

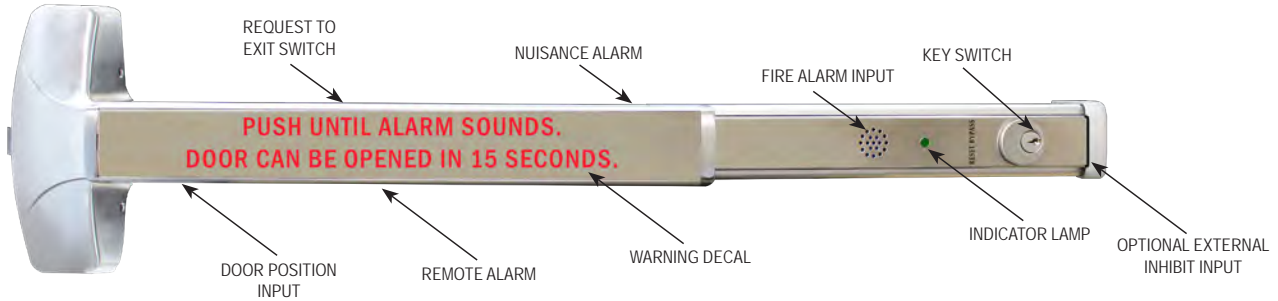


MODEL	ACTUAL SIZE	MAXIMUM CUT DOWN	DOOR SIZE
LBR7760V3684, LBRF7760V3684, LBR7790V3696, LBRF7790V3696, LBR7750V36120	32"	6"	30" to 36" door width
LBR7780V4896, LBRF7780V4896, LBR7740V48120	44"	10"	38" to 48" door width

DE7700 Series



GRADE 1 Delayed Egress All in One Exit Device

ANSI BHMA A156.24 Delayed Egress Locking System Approved



FEATURES		
EGRESS DELAY	BUILT-IN ANNUNCIATION	CODE COMPLIANCE
<ul style="list-style-type: none"> All in One Device 15 or 30 second exit delay (Factory set to 15 secs) 1 or 2 second nuisance delay Alarm and Lock reset 1 to 30 second momentary bypass Sustained bypass 	<ul style="list-style-type: none"> Armed mode Nuisance mode Irreversible egress mode Release mode <p><u>Optional External Inhibit Input</u></p> <ul style="list-style-type: none"> Remote override Remote reset 	<ul style="list-style-type: none"> IFC International Fire Code IBC International Building Code NFPA 101 Life Safety Code NFPA 1 Uniform Fire Code California Building Code Field selectable automatic or manual power up after emergency release or power loss
CONTROL INPUTS	TRIGGER MODES	MONITORING OUTPUTS
<ul style="list-style-type: none"> 1 to 30 second request-to-exit and bypass input with anti-tailgate and jumper selectable door prop alarm Reset 	<ul style="list-style-type: none"> Egress Alarm triggered by Push Bar Trigger input from external device field selectable (N/O or N/C) 	<ul style="list-style-type: none"> Armed mode Nuisance mode Release status

MUST ORDER CR602RF or CR631RF POWER SUPPLY TO HONOR WARRANTY AND UL MARKING

TECHNICAL SPECIFICATIONS	APPLICATION
<ul style="list-style-type: none"> 24VDC @ 430mA 24VDC @ 250mA Slave <p>Power Supply CR602RF 1 Amp / CR631RF 1.5 Amp</p> <div style="display: flex; justify-content: space-around;"> <div style="text-align: center;">  <p>CR631RF</p> </div> <div style="text-align: center;">  <p>CR602RF</p> </div> </div> <ul style="list-style-type: none"> Field selectable 12 or 24V DC, regulated and filtered Auto resetting output circuit protection Isolated 13.5/27V DC battery charger Low battery disconnect Emergency release input Field selectable UBC & California compliant manual power up Input, output and battery status LED's CR631RF - 16" x 14" x 6.5", CR602RF - 12" x 12" x 4" enclosure Choice of output and door control modules CR631RF - 1.5 Amp, CR602RF - 1.0 Amp Batteries not included 	<p>When unauthorized egress is initiated the device delays egress through the door for 15 seconds (or 30 seconds). Meanwhile, the person exiting must wait while personnel or security responds. The door unlocks after 15 seconds have elapsed permitting egress. When powered by a fire control supervised power supply, the lock will release immediately in an emergency.</p> <p>FOR USE WITH: (FIRE AND NON-FIRE)</p> <ul style="list-style-type: none"> DE7700 Rim Panic Exit Device DEF7700 Rim Panic Exit Device DEMCVR7700 Concealed Vertical Rod (metal doors) DEWCVR7700 Concealed Vertical Rod (wood doors) DEFMVCVR7700 Concealed Vertical Rod (metal doors) DEFWCVR7700 Concealed Vertical Rod (wood doors) DE7700V Surface Vertical Rod Exit Device¹ DEF7700V Surface Vertical Rod Exit Device¹ DEM7700 Mortise Exit Device DEFMR7700 Mortise Exit Device <p>¹Recommends use of rod and latch guards and strike monitor for surface vertical rods</p>

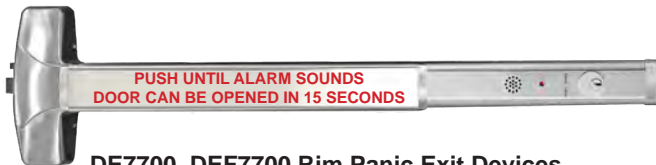
7700 Series Delayed Egress Models



GRADE 1 Delayed Egress All in One Exit Device

ANSI BHMA A156.24 Delayed Egress Locking System Approved

For use in institutions, schools, universities, commercial buildings where heavy duty reliable operation is a requirement. 7700 Series Delayed Egress can also be used for fire exit hardware for all types of 4' x 8' single doors and 8' x 8' double doors for up to 3 hour fire labeled installations, it conforms to standards UL10C and UBC 7-2-1997 codes.

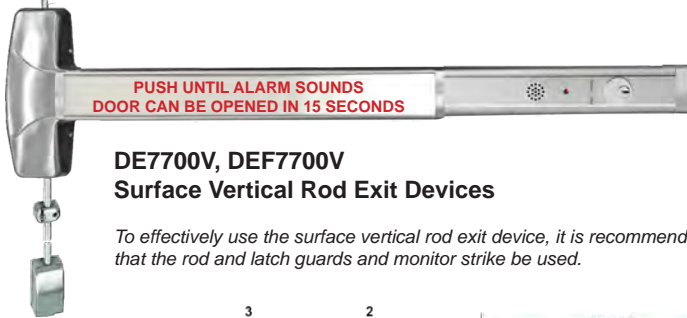


DE7700, DEF7700 Rim Panic Exit Devices



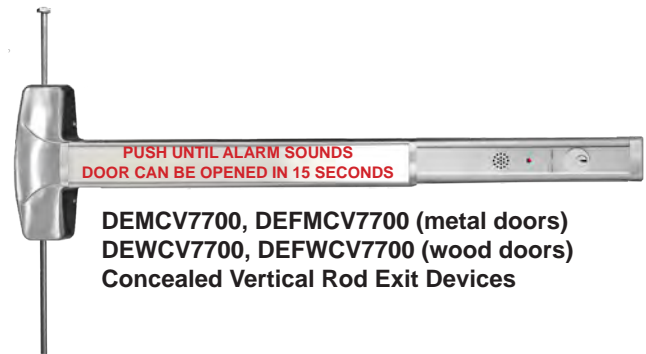
DEMR7700, DEFMR7700 Mortise Exit Devices

If a door position switch is not used, the outside trim will operate the door without affecting the armed setting of the device.

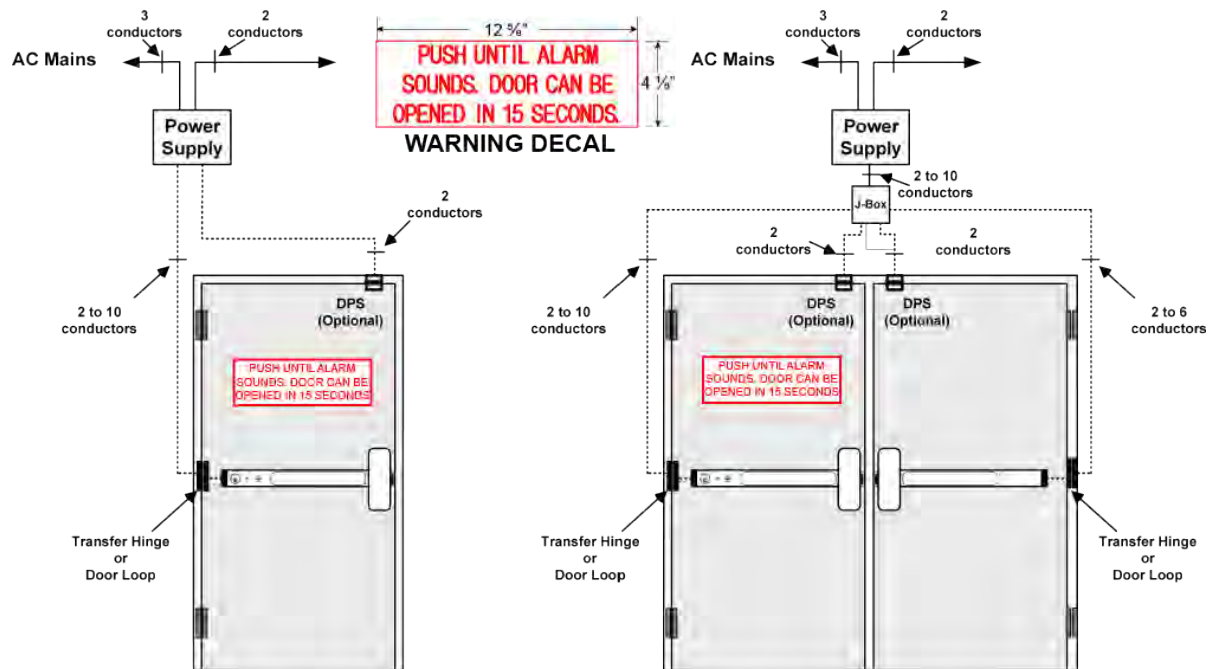


DE7700V, DEF7700V Surface Vertical Rod Exit Devices

To effectively use the surface vertical rod exit device, it is recommended that the rod and latch guards and monitor strike be used.



DEMCV7700, DEFMCV7700 (metal doors)
DEWCV7700, DEFWCV7700 (wood doors)
Concealed Vertical Rod Exit Devices



Single Door

Pair of Doors

MUST ORDER CR602RF OR CR631RF POWER SUPPLY TO HONOR WARRANTY AND UL MARKING

Alarm Exit Hardware



Rim Type Exit Devices

NALRM770036	Alarm Rim Type 36" Door (Panic Grade)
NALRM772048	Alarm Rim Type 48" Door (Panic Grade)
FNALRM770036	Alarm Rim Type 36" Door (Fire Grade)
FNALRM772048	Alarm Rim Type 48" Door (Fire Grade)

Vertical Rod Type Exit Devices

Prefix "NALRM" before PART #

Features

- 1, 3, 5-minute and continuous alarm type settings available
- ON and OFF power switch
- Alarm sound frequency is 120 db
- Alarm unit has internal horn. When the push rail is depressed, the horn sounds to provide an audible means of signaling that the door has been opened and breached.
- The key switch to turn alarm off is a standard 1 1/4" cylinder with "C" keyway. The alarm operates on one standard 9-volt transistor battery. When battery is weak the horn will emit an intermittent signal.
- Alarmed units are supplied with a micro switch, which monitors the push rail and the latch bolt for foolproof security on rim devices.
- Alarm unit has a signal OC output that can be linked to external alarm control systems.
- Unit includes "EMERGENCY EXIT ONLY • ALARM WILL SOUND" decal for application on door or unit.

Cylinder Dogging Kit

TO ORDER: Prefix "CD" before PART #. Available for all 7700 Series devices except fire exit hardware. To order **KIT ONLY:** use PART # 36CD7700 for 36" and 48CD7700 for 48" devices. Specify finish.



Finishes (Refer to Price List for Stock Finishes)

Cal-Royal	Description	BHMA	US Finish	Material
10B	Oil Rubbed Bronze	613	US10B	Bronze
32D	Satin Stainless	630	US32D	Stainless Steel

- (IC) **INTERCHANGEABLE CORE:** Interchangeable Core locks will accept compatible 6 or 7-Pin cores with BEST, FALCON and ARROW
- (ICSC) **INTERCHANGEABLE CORE:** Indicates function available with **Schlage Full Size Format** Interchangeable Core. Corbin, Sargent and Yale format also available.

Trim Selection



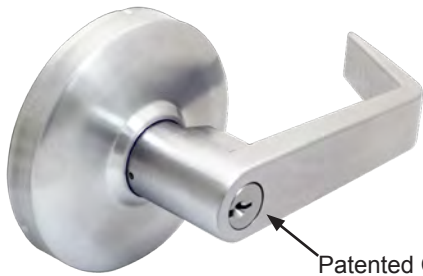
CLUTCH CYLINDRICAL LEVER

Non-handed Grade 1 (Clutch Style)

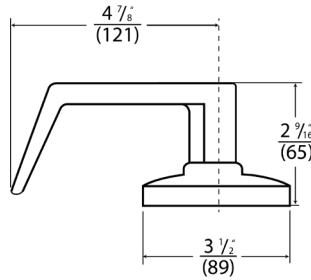
Cylindrical body hardened steel heavy duty tailpiece. For 1 3/4" and 2 1/4" doors. Prefix "THI" before Part # for 2 1/4" door thickness. Available for fire and non-fire rated rim and vertical rod exit devices.

Rose diameter 3 1/2", lever length 4 3/4". Fits and covers 161 cutout.

Finishes: Architectural plated finishes.



Patented Clutch Freewheeling



- ENT00L or
- ICENT00L or
- ICSCENT00L4
- SARICENT00L (Sargent)
- RUSICENT00L (Corbin / Russwin)
- YALICENT00L (Yale)
- 8000K

- ENTRANCE**
Key locks and unlocks lever. Operates as CLASSROOM FUNCTION.
ANSI Function – 08
Ball Knob Keylock

- STR05L or
- ICSTR05L or
- ICSCSTR05L4
- SARICSTR05L (Sargent)
- RUSICSTR05L (Corbin / Russwin)
- YALICSTR05L (Yale)

- STOREROOM**
Key operates lever, otherwise always locked.
ANSI Function – 04

PAS30L

- PASSAGE**
Trim always operable and free.
ANSI Function - 15

DUM40L

- DUMMY**
Dummy trim. One sided
ANSI Function – 10

When ordering "AT" and "SPA" designs, prefix design name before Part #. Example: ENT00L in "AT" is **ATENT00L**.

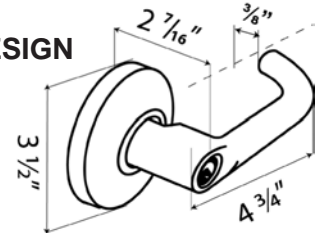
KEYWAY: 6-Pin solid brass "C" keyway standard. Optional: Schlage E, Schlage C-K, Russwin D1-2-3-4, Corbin 59/60, Sargent LA-LB-LC, Falcon/Weiser E, Arrow A, Yale 8, Yale GA and Kwikset. Can also accept Medeco, Assa, Kaba and **Cal-Royal HSK** High Security Cylinders.

- **(IC) INTERCHANGEABLE CORE:** Interchangeable Core locks will accept compatible 6 or 7-Pin cores with BEST, FALCON and ARROW
- **(ICSC) INTERCHANGEABLE CORE:** Indicates function available with
- **Schlage Full Size Format** Interchangeable Core. Corbin, Sargent and Yale format also available.

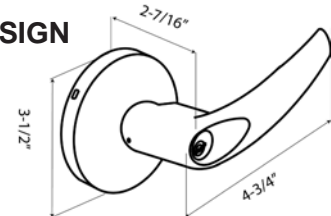
Other Lever Trim Designs



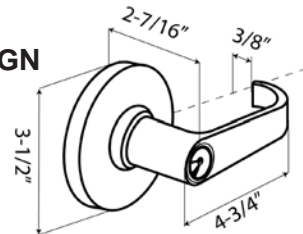
TUB DESIGN



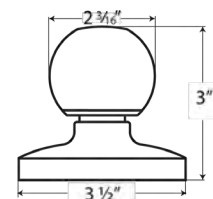
AT DESIGN



SPA DESIGN



8000K

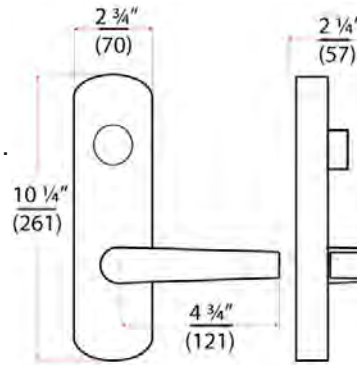


Trim Selection

RIGID LEVER ESCUTCHEON

CONSTRUCTION

- Rigid, non-clutch mechanism
- Double heavy duty spring support to prevent sagging and enhance operation
- Grade 1, thru-bolted design. Non-handed design. Easily field reversible
- Hardened steel heavy duty tailpiece. Available for fire and non-fire rated rim and vertical rod exit devices
- Standard 6-Pin Schlage "C" Mortise Cylinder included



DOOR THICKNESS

Standard 1 3/4". For 2 1/4" thick door use additional Part # TAIL3

ESCUTCHEON DIMENSIONS

2 3/4" width X 10 1/4" length. Lever length: 4 3/4". Fits and covers 2 1/8" 161 cutout

ESC7700 or

- ICESC7700 or
- ICSCESC7700

ENTRANCE

Rigid Entrance, key locks or unlocks escutcheon trim ANSI FUNCTION (63) Operates as classroom function

ESC7705 or

- ICESC7705 or
- ICSCESC7705

STOREROOM

Rigid Storeroom, key unlocks lever, lever retracts latch bolt, otherwise always locked ANSI FUNCTION (04)

ESC7730

PASSAGE

Trim always operable and free ANSI Function (62)

ESC7740

DUMMY

Dummy Escutcheon trim ANSI FUNCTION (10)

TO ORDER other lever design insert "AT" or "RL" before "ESC":
e.g. **ATESC7700** for ESC7700 with AT design or **RLESC7700** for ESC7700

KEYWAY: 6-Pin solid brass "C" keyway Mortise Cylinder standard. Optional: Schlage E, Schlage C-K, Russwin D1-2-3-4, Corbin 59/60, Sargent LA-LB-LC, Falcon/Weiser E, Arrow A, Yale 8, Yale GA and Kwikset. Can also accept Medeco, Assa, Kaba and **Cal-Royal HSK** High Security Cylinders.

FOR ELECTRIFIED TRIM OPTIONS SEE PAGE 12

- **(IC) INTERCHANGEABLE CORE:** Interchangeable Core locks will accept compatible 6 or 7-Pin cores with BEST, FALCON and ARROW
- **(ICSC) INTERCHANGEABLE CORE:** Indicates function available with **Schlage Full Size Format** Interchangeable Core. Corbin, Sargent and Yale format also available.

Lever Trim Designs



NESC



ATESC



RLESC



TUBESC

Trim Selection



HEAVY DUTY STAINLESS STEEL CLUTCH LEVER ESCUTCHEON (High Frequency Abusive Situation such as Schools, Hospitals, Industrial / Institutional)

CONSTRUCTION

- Clutch mechanism
- Double heavy duty spring support to prevent sagging and enhance operation
- Grade 1, thru-bolted design. Non-handed design. Easily field reversible
- All Stainless Steel heavy duty tailpiece.
Available for fire and non-fire rated rim and vertical rod exit devices
- Standard 6-Pin Schlage "C" Mortise Cylinder included

DOOR THICKNESS

Standard 1 3/4" to 2". For 2" or 2 1/2" thick door use additional Part # TAIL9

ESCUTCHEON DIMENSIONS

2 5/8" width X 10 5/8" length. Lever length: 4 5/8".
Fits and covers 2 1/8" 161 cutout

HDESC-00 or	ENTRANCE
ICHDESC-00	Clutch Entrance, key locks or unlocks escutcheon trim
ICSCHDESC-00	ANSI FUNCTION (63) Operates as classroom function
HDTSESC-00	
ICHDTSESC-00	
ICSCHDTSESC-00	
HDESC-05 or	STOREROOM
ICHDESC-05	Clutch Storeroom, key unlocks lever, lever retracts
ICSCHDESC-05	latch bolt, otherwise always locked
HDTSESC-05	ANSI FUNCTION (04)
ICHDTSESC-05	
ICSCHDTSESC-05	
HDESC-30	PASSAGE
HDTSESC-30	Trim always operable and free
	ANSI Function (62)
HDESC-40	DUMMY
HDTSESC-40	Dummy Escutcheon trim ANSI FUNCTION (10)

KEYWAY: 6-Pin solid brass "C" keyway Mortise Cylinder standard. Optional: Schlage E, Schlage C-K, Russwin D1-2-3-4, Corbin 59/60, Sargent LA-LB-LC, Falcon/Weiser E, Arrow A, Yale 8, Yale GA and Kwikset. Can also accept Medeco, Assa, Kaba and **Cal-Royal HSK** High Security Cylinders.

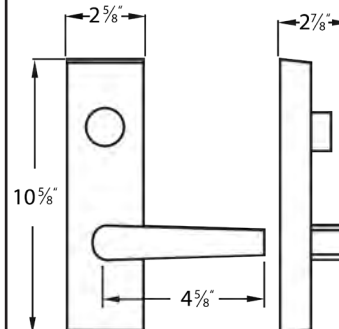
FOR ELECTRIFIED TRIM OPTIONS SEE PAGE 12

- **(IC) INTERCHANGEABLE CORE:** Interchangeable Core locks will accept compatible 6 or 7-Pin cores with BEST, FALCON and ARROW
- **(ICSC) INTERCHANGEABLE CORE:** Indicates function available with **Schlage Full Size Format** Interchangeable Core. Corbin, Sargent and Yale format also available.

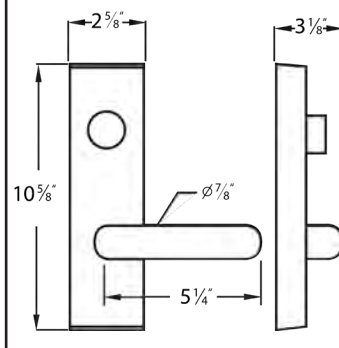
Lever Trim Designs



HDESC



HDTSESC



Trim Selection

PULL DESIGN

- 7700 NL
- IC7700NL
- ICSC7700NL

FOR RIM DEVICES ONLY

Outside by pull and key.
Key retracts latch bolt.
ANSI function – 03
Covers 161 cutout

KEYWAY

Standard 6-Pin solid brass “C” keyway Rim Cylinder included.

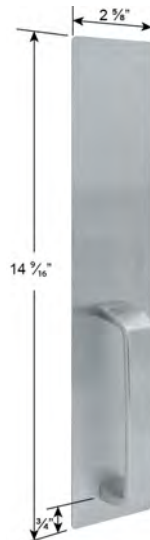
FINISHES

Architectural plated finishes.



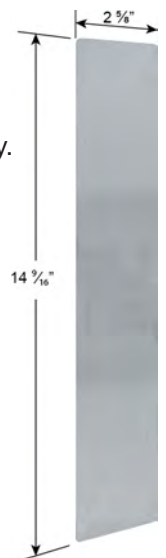
7700 DTP

Outside by pull only.
Pull when dogged.
ANSI function – 02
Covers 161 cutout.



7700 EOP

Outside by plate only.
ANSI function – 10
Covers 161 cutout



- 77TP00 or
- IC77TP00
- ICSC77TP00

ENTRANCE

Key locks or unlocks thumbpiece.
(Operates as classroom function)
ANSI Function – 63

- 77TP05 or
- IC77TP05
- ICSC77TP05

STOREROOM

Key unlocks thumbpiece, thumbpiece retracts latch bolt, otherwise always locked.
ANSI Function-04

77TP30

PASSAGE

Trim always operable and free.
ANSI Function – 62

77TP40

DUMMY

Dummy trim. **Includes blank Mortise dummy cylinder.** One sided.
ANSI function – 10

KEYED



DUMMY



KEYWAY: 6-Pin solid brass “C” keyway Mortise Cylinder standard. Optional: Schlage E, Schlage C-K, Russwin D1-2-3-4, Corbin 59/60, Sargent LA-LB-LC, Falcon/Weiser E, Arrow A, Yale 8, Yale GA and Kwikset. Can also accept Medeco, Assa, Kaba and **Cal-Royal HSK** High Security Cylinders.

● (IC) INTERCHANGEABLE CORE

Interchangeable Core locks will accept compatible 6 or 7-Pin cores with BEST, FALCON and ARROW.

- (ICSC) INTERCHANGEABLE CORE: Indicates function available with **Schlage Full Size Format** Interchangeable Core. Corbin, Sargent and Yale format also available.

FINISHES

Architectural plated finishes.

Electrified Lever Trim

Cal-Royal's electrified lever trim provides remote locking and unlocking capabilities using industry safety standards. The 24V DC solenoid can be energized from a distant controller, thus allowing access control of the opening.

The control of stairwells in high-rise buildings is a common application for this trim, where electric pullback of the exit device's latch bolt is cost prohibitive or not required. This is especially practical in applications where fire/life safety codes require a "fail-safe" condition which is not an option with electrified latch pullback devices. Because the current draw is quite low there is no need for a more expensive power supply to provide the surge current.

Features

- Continuous duty solenoids used to insure trouble-free operation
- Internally mounted solenoid to ease installation (no special door prep required)
- No hassle 3-year warranty

Options

- Available Fail Safe (Electrically Locked) or Fail Secure (Electrically Unlocked)
- Voltage options – 12V or 24V (AC/DC)
- Request to Enter Switch (REE)
- CRU2 – Current Reduction Unit to improve solenoid life in "continuously on" applications

Specifications

Solenoid..... Continuous Duty 24VDC

Operating Voltage.... 12 or 24VAC/DC + OR – 10%
(must specify 12 or 24 volts when ordering)

Amperage.....260mA@12V / 160mA@24V

Coil Resistance.....12V=49Ω / 24V=159Ω

To order, Specify:

OPTIONS: FAIL SAFE (FS)
FAIL SECURE (FSE)

ITEM#	DESCRIPTION
FS12	FS12 FAIL-SAFE OPTION 12V AC/DC
FS24	FS24 FAIL-SAFE OPTION 24V AC/DC
FSE12	FSE12 FAIL-SECURE OPTION 12V AC/DC
FSE24	FSE24 FAIL-SECURE OPTION 24V AC/DC

TO ORDER other design add "ESC77", "ATESC77", "RLESC77", "TUBESC77"
e.g. FSE24**ATESC77** for ESC77 in AT design or FSE24**RLESC77** for ESC77 in RL design

TO ORDER heavy duty design add **HD** or **TS** to Item#
e.g. FS12**HD** or FS12**TS**



(ELR) Electric Latch Retraction



Our motor driven electrified latch pullback exit device allows for remote keyless access control in high occupancy / high traffic conditions where exit devices are required. Common applications include conditions such as hospitals, airports, schools, churches and they are commonly specified in applications that require automatic door openers. The device may be continuously energized allowing for a push / pull condition if desired.

Features:

- Available on 7700 Series, including rim, vertical rod, concealed vertical rod fire-rated devices
- MM3 Smart Module: On board diagnostics with audible feedback for adjustment and power issues
- “PTS” (Push to Set Technology): 5 second electronic adjustment for easy post installation adjustment
- Electric dogging rated for continuous duty - Auto retraction if dogged push pad is pulled from position
- Low current draw
- Up to 500’ wire run with (2) 18ga wire - Long wire runs provides installer with convenience of placing the locking device power supply in a centralized location; i.e. the same closet as the access panel
- 6’ cable with Quick Connect for MM3 module to easily connect to power supply lead
- 3-year “No Hassle” warranty

**FOR FIELD INSTALLATION
USE FLR7700 KIT**

Specifications:

- Voltage – 22 to 28 VDC
- System protection – unit shutdown when voltage exceeds 28VDC
- Average In-rush Current – 1A; Average Hold Current -180mA
- PTS adjustment – approx. 1/4”
- Wire run: 500’ with 18ga wire; 700’ with 16ga wire



To order, specify:

- Prefix **ELR** before PART #

**MUST USE CRP POWER SUPPLIES
TO HONOR WARRANTY (see page 15)**

Signal Switch RX and LX

RX (request to exit) signal switch is used to signal the use of an opening from the push side. When the push pad is depressed, the switch is activated. These devices are equipped with an internal SPDT (single pole double throw) switch that monitors the touch bar.

LX (latch bolt monitoring) signal switch monitors both egress and access of an opening. When the latch bolt is retracted, the switch is activated. These devices are equipped with an internal SPDT (single pole double throw) switch that monitors the latch bolt position.

LX and RX switches can be combined.

LX, RX switches can be used in combination with ELR (electric latch retraction) option.

Specifications

RX or LX.....Switch rated 0.5 amps @ 24VAC/DC resistive
Low current RX or LX.Switch rated 0.5 amps @ 24VAC/DC resistive
For Factory Installed:

To Order, Specify:

- Prefix: - **RX7700**.....Request to Exit switch for field installation
- LX7700**.....Latch bolt Monitoring switch for field installation
- LXR7700**.....Latch bolt Monitoring/Request to Exit Combination

Heavy Duty Digital Exit Trims



MECHANICAL CRCODE101

Features

- Heavy Duty
- Designed for 7700 and 9800 Series
- Grade 1 Panic Exit Device
- Single code (up to 8000 code combinations)
- Weather-resistant finish
- Code can be changed anytime without dismounting
- Full size, non-handed lever handle
- Easy Installation
- Reversible Handing

ELECTRONIC CRCODE007

Features

- Dual mode for code free entry either mechanically by key or electronically thru the keypad
- Designed for 7700 and 9800 Series
- Can store up to 90 different numeric user codes in 4, 5 or 6 digits
- Settings remain in memory when batteries are removed
- Audible alarm sounds after 3 incorrect attempts
- Connections available for remote release switch and automatic lock activation when linked to Fire alarm system
- Can be used as STOREROOM or CLASSROOM function
- Factory default set as STOREROOM function
- Fast and easy programming via master code

CR5000 TRILOGY® KEYLESS EXIT TRIM

Features

- Clutch mechanism insures long life and durability
- Fingertip and/or Windows programmable
- 2000 User Codes: Master, manager, supervisor and users
- Real Time Clock for up to 40,000 Event Time/Date-Stamped Audit Trail
- Up to 500 Lock/Unlock Schedules (with Time Zone Support)
- Rugged 12-Button Metal Keypad
- Non-Handed; Fully Field Reversible
- Adaptable to most major manufacturers of standard RIM and IC RIM Cylinders
- Battery operated; uses 5 AA batteries
- Optional Interchangeable Core available with Best, Falcon, Arrow Small Format and Schlage Full Size Format IC Cores

MECHANICAL CRCODE 204

Features

- Breakaway Lever Design
- Easy On-Door Code Change
- Weather Resistant
- Code-Free Option (Passage)
- Non-Handed
- 1 - 12 digit Length Code
- Thousands of Possible Code Combinations
- Single Code User
- Applications: Offices, Schools, Hospitals, Apartments, Hotels/Motels, Residential, Commerical and Public Buildings
- Door Thickness: 1 3/4" - 2"

NEW ITEM

KABA® - Cal-Royal Combination

Cal-Royal's Exit hardware devices combined with Kaba InSync CP provide a variety of alternatives when addressing community access control. Recommended for applications such as controlling building entry openings, common area rooms and doors with exit devices. InSync CP are available as stand-alone battery operated door locks designed to work in conjunction with Cal-Royal's Exit Hardware Devices.

KABA InSync CP is not sold through CAL-ROYAL. For inquiries and information on InSync line of products please visit www.kabamultihousing.com



POWER SUPPLIES FOR ELECTRIFIED EXIT DEVICES

The CRPS1N is a heavy duty, high quality, low cost solution for powering a single latch retracting exit device. The solid-state design insures years of trouble-free operation. The power supply delivers raw, unregulated DC current which is ideal for the extreme in-rush requirement of most motor driven electric latch retracting exit devices. The power supply comes housed in a sturdy, yet compact metal enclosure.

CRPS1N



Features:

- Power supply delivers the necessary high current in-rush for a single exit device
- Solid-state design eliminates problems associated with mechanical relays
- Single input/output
- No hassle 2-year warranty



Specifications:

- Input voltage – 120 VAC
- Output voltage – 24 VDC unregulated @ 1A
- Temperature range – 0 to 120°F
- 1 Solid-State input/output (input triggered by dry contact)
- LEDs – RED = Power indicator
GREEN = Channel on
- Enclosure dimensions: 10" x 10" x 4"

The CRPS2 Series power supplies are high quality, cost effective solution for powering two electric latch-retracting exit devices. These power supplies provide the necessary surge current that most latch-retracting exit devices require. The CRPS2 Series offers features found on power supplies costing much more; and the solid-state design and careful attention to detail make the CRPS2 Series ideal choice for the discerning user who requires a power supply that can offer years of trouble-free operation.

CRPS2 CRPS2BB



Features:

- Delivers the necessary in-rush current to power two latch pullback exit devices.
- Two independent inputs/outputs
- Solid-state design eliminates Mechanical problems associated with relays
- Thermal overload sensing reduces risk of failure due to overheating
- Fire alarm disconnect link
- Inputs triggered by dry contact
- Intelligent short circuit detection detects shorts much faster than fuses and isolates the short to the individual output
- Removable Euro-style terminal blocks allow for easy installation
- UL Pending at time of print
- No hassle 2-year warranty

Additional Features (CRPS2BB Only):

- Efficient battery backup/charging circuitry with zero voltage drop at power loss
- Solid state reverse polarity protection for battery connections
- Audible alert when sensing AC power failure & low battery (batteries not included)
- Output Voltage – 24 VDC unregulated @ 2.3A
- Enclosure dimensions: 12.5" x 15" x 4"

Specifications:

- Input Voltage – 120 VAC
 - Output Voltage – 24 VDC unregulated @ 2A**
 - Temperature Range – 0° to 120°F
 - 1 Solid-State input/output (input triggered by dry contact)
 - LEDs – RED = Power indicator
GREEN = Channel on
 - Enclosure dimensions: 10" x 10" x 4" **
- **CRPS2 only**

The CRSW3 power supply is a low cost, regulated switching power supply. It is designed specifically to supply power to low current DC devices such as mortise locks, cylindrical locks and electric strikes. The CRSW3 supplies 2.4A @ 27VDC and provides (3) non-fused outputs. The CRSW3 comes housed in a 10" x 10" x 4" sturdy metal enclosure.



CRSW3

Features:

- Adjustable output voltage (22-27V under load)
- No hassle 2-year warranty

Specifications:

- Input voltage – 110 or 240VAC
- Output voltage – 2.4A @ 27VDC
- (3) Non-fused outputs
- Enclosure dimensions : 10" x 10" x 4"

CRPS202/202B linear design makes it a perfect match for electric locks, motor driven exit devices, electric strikes, and mag locks.

CRPS202 CRPS202B



Features:

- Built to run up to 2 locks, exit trim and LP Motor Kits
- Interruption-free battery back-up
- Door mounted LED Power Indicator
- Over-voltage protection
- Regulated, independent battery charging
- Fire alarm link
- No hassle 2-year warranty

Specifications:

- Input voltage – 120 VAC, 60 Hz
- Input Fuse: 2 Amp Fuse @ 250VAC
- Output voltage – 2A @ 24VDC
- Temperature range: 0 to 49° C; 32 to 120° F
- Maximum humidity: 85%

The CRPS5 power supply is a regulated, linear power supply rated at 5 Amps @ 24VDC. Its state-of-the-art, solid-state design offers a flexible and cost effective solution to powering and controlling low current DC locking devices. It is available in 4, 6, and 8 I/O models.

CRPS5 (5 Amps, 1 I/O)

OPTIONS:

- CRPS5-4 (1.25 Amps, 4 I/O)
- CRPS5-6 (0.83 Amps, 6 I/O)
- CRPS5-8 (0.625 Amps, 8 I/O)



Features:

- Adjustable output voltage from 24-27VDC
- Independent, Battery backup charging circuit at 27.6V with Solid-state design and very low voltage loss
- No hassle 2-year warranty

Specifications:

- Input voltage - 110 VAC
- Output voltage - 24VDC @ 5A continuous current
- Up to (8) Solid-state inputs (specify dry contact or voltage trigger)
- Up to (8) Solid-state outputs
- Thermal auto-resettable fuses



MCVR7700 & FMCVR7700 Series



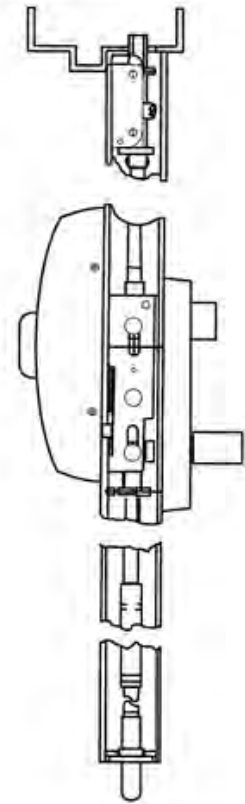
Optional Less Bottom Rod (LBR)

Grade 1 Concealed Vertical Rod Exit Device for Metal Doors

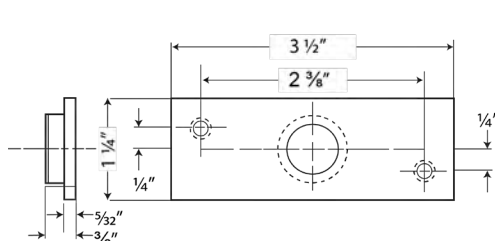


Specifications

LBR (Optional)	No bottom strike. Free access for wheel chairs, stretchers and carts which eliminates tripping potential and disfiguration of floors due to dragging of bottom bolts.
For Doors	Metal. 1 3/4" (44.5 mm) minimum thickness 4 1/2" (114 mm) minimum stile width
Top Chassis	Non-ferrous Alloy (Panic Grade), Steel (Fire Grade)
Chassis Cover	Non-ferrous plated material
Mounting	Furnished standard with machine screws
End Cap	Brass, Bronze or Stainless Steel construction
Hand	Handed. Easily field reversible. Specify at time of order LHR, RHR for convenience
ANSI Standard	A156.3, Grade 1
Strikes	260 top and 265 bottom
Top and Bottom Bolts	Stainless Steel . Top and bottom bolt travel 7/16" (11 mm) Projection adjustable up to 1" (25 mm)
Fire Exit Hardware	FMCVR7700 Series for fire exit hardware for all types of 8' x 10' double doors , LBR Series for fire exit hardware for all types of 8' x 8' double doors for up to 3 hour fire labeled installations. Conforms to standards UL10C and UBC 7-2-1997 co
Rail Height	Specify door opening and mounting height of center line of rail when ordering a Vertical Rod Exit Device 41" from floor
Trim	See Trim Designs section
Electronic Functions	(ELR) Electrical Latch Retraction and RX & LX Signal Switch available
Alarm	Prefix "NALRM" before PART #
Dogging Feature	Cylinder dogging available for non-rated applications

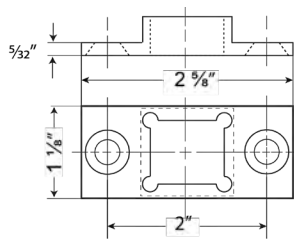


MODEL SIZE	ACTUAL LENGTH	MAX CUT DOWN	DOOR SIZE
M77CVR3684, FM77CVR3684, M77CVR3696, FM77CVR3696, M77CVR36120, FM77CVR36120	32"	6"	30" to 36" door width
M77CVR4896, FM77CVR4896, M77CVR48120, FM77CVR48120	44"	10"	38" to 48" door width



260 TOP STRIKE

- For applications metal frames
- Stainless Steel



265 BOTTOM STRIKE

- Furnished with expansion shields
- Mortised into floor
- Stainless Steel

WCVR7700 & FWCVR7700 Series



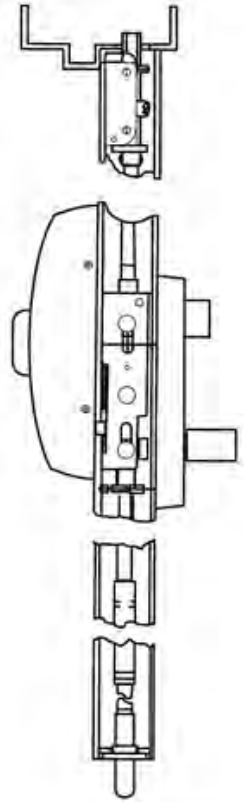
Optional Less Bottom Rod (LBR)

GRADE 1 Concealed Vertical Rod Exit Device for Wood Doors

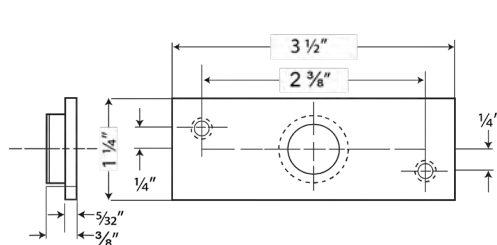


Specifications

LBR (Optional)	No Bottom Strike. Free access for wheel chairs, stretchers and carts which eliminates tripping potential and disfiguration of floors due to dragging of bottom bolts.
For Doors	Wood. 1 3/4" (44.5 mm) minimum thickness 4 1/2" (114 mm) minimum stile width
Top Chassis	Non-ferrous Alloy (Panic Grade), Steel (Fire Grade)
Chassis Cover	Non-ferrous plated material
Mounting	Furnished standard with machine screws
End Cap	Brass, Bronze or Stainless Steel construction
Hand	Handed. Easily field reversible. Specify at time of order LHR, RHR for convenience
ANSI Standard	A156.3, Grade 1
Strikes	260 top and 265 bottom
Top and Bottom Bolts	Stainless Steel . Top and bottom bolt travel 7/16" (11 mm) Projection adjustable up to 1" (25 mm)
Fire Exit Hardware	FWCVR7700 Series for fire exit hardware for all types of 8' x 10' double doors, LBR Series for fire exit hardware for all types of 8' x 8' double doors for up to 3 hour fire labeled installations. Conforms to standards UL10C and UBC 7-2-1997 code;
Rail Height	Specify door opening and mounting height of center line of rail when ordering a Vertical Rod Exit Device 41" from floor
Trim	See Trim Designs section
Electronic Functions	(ELR) Electrical Latch Retraction and RX & LX Signal Switch available
Alarm	Prefix "NALRM" before PART #
Dogging Feature	Cylinder dogging available for non-rated applications

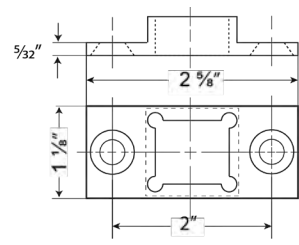


MODEL SIZE	ACTUAL LENGTH	MAX CUT DOWN	DOOR SIZE
W77CVR3684, FW77CVR3684, W77CVR3696, FW77CVR3696, W77CVR36120, FW77CVR36120	32"	6"	30" to 36" door width
W77CVR4896, FW77CVR4896, W77CVR48120, FW77CVR48120	44"	10"	38" to 48" door width



260 TOP STRIKE

- For applications metal frames
- Stainless Steel



265 BOTTOM STRIKE

- Furnished with expansion shields
- Mortised into floor
- Stainless Steel

MCVR7700, FMCVR7700, WCVR7700 & FWCVR7700 Concealed Vertical Rod Exit Devices For Wood and Metal Doors



Trim Selection

ESCUTCHEON LEVER DESIGN

CONSTRUCTION

- Free-wheeling clutch mechanism
- Grade 1, thru-bolted design
- Non-handed design. Easily field reversible.

FINISHES

Architectural plated finishes

DOOR THICKNESS

Standard 1 3/4"

ESCUTCHEON DIMENSIONS

2 5/16" width X 8 1/2" length. Lever length: 4 3/4".
Fits and covers 2 1/8" 161 cutout



CVRESC00 or
ICCVRESC00 or
ICSCCVRESC00

ENTRANCE
 Clutch Entrance, key locks or unlocks escutcheon trim
 ANSI FUNCTION (63) Operates as classroom function

CVRESC05 or
ICCVRESC05 or
ICSCCVRESC05

STOREROOM
 Clutch Storeroom, key unlocks lever, lever retracts
 latch bolt, otherwise always locked, ANSI FUNCTION (04)

CVRESC30
 Trim always operable and free, ANSI Function (62)

PASSAGE
 Trim always operable and free, ANSI Function (62)

CVRESC40
 Dummy Escutcheon trim, ANSI FUNCTION (10)

DUMMY
 Dummy Escutcheon trim, ANSI FUNCTION (10)

KEYWAY: 6-Pin solid brass "C" keyway Mortise Cylinder standard. Optional: Schlage E, Schlage C-K, Russwin D1-2-3-4, Corbin 59/60, Sargent LA-LB-LC, Falcon/Weiser E, Arrow A, Yale 8, Yale GA and Kwikset. Can also accept Medeco, Assa, Kaba and **Cal-Royal HSK** High Security Cylinders.

(IC) INTERCHANGEABLE CORE: Interchangeable Core locks will accept compatible 6 or 7-Pin cores with BEST, FALCON and ARROW

(ICSC) INTERCHANGEABLE CORE: Indicates function available with **Schlage Full Size Format** Interchangeable Core. Corbin, Sargent and Yale format also available.

**FOR ELECTRIFICATION OPTION:
 SPECIFY ITEM# UPON ORDERING
 FOR ENTRANCE, STOREROOM, AND
 PASSAGE ESCUTCHEON LEVER TRIMS**

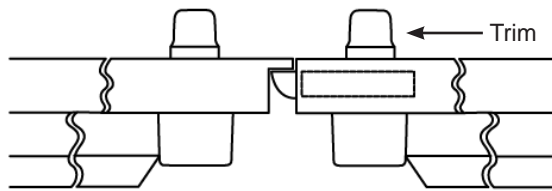
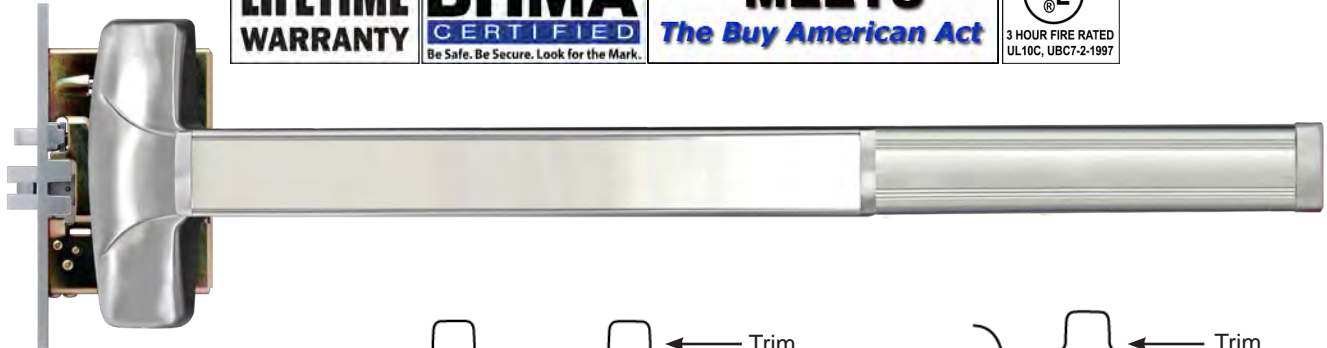
ITEM#	DESCRIPTION
FS12CVR	FAIL-SAFE (FS) OPTION 12V AC/DC
FS24CVR	FAIL-SAFE (FS) OPTION 24V AC/DC
FSE12CVR	FAIL-SECURE (FSE) OPTION 12V AC/DC
FSE24CVR	FAIL-SECURE (FSE) OPTION 24V AC/DC

MR7700 & FMR7700 Series

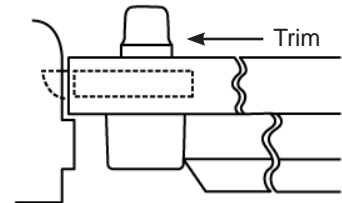


GRADE 1 Mortise Lock Exit Device

LIFETIME WARRANTY	BHMA™ CERTIFIED Be Safe. Be Secure. Look for the Mark.	MEETS <i>The Buy American Act</i>	UL 3 HOUR FIRE RATED UL10C, UBC7-2-1997
--------------------------	--	---	--



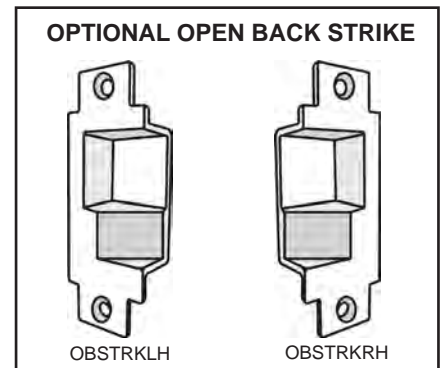
Pair of Doors



Single Doors

Specifications

For Doors.....	Wood/Metal 1 3/4" (44.5 mm) minimum thickness 4 1/2" (114 mm) minimum stile width
Chassis.....	Non-ferrous Alloy
Chassis Cover.....	Non-ferrous plated material
Mounting.....	Furnished standard with wood and machine screws
End Cap.....	Brass, Bronze or Stainless Steel construction
Handing.....	Handed. Non-Reversible. Specify RHR or LHR for convenience
ANSI Standard.....	A156.3, Grade 1
Strikes.....	Standard ANSI strike
Fire Exit Hardware.....	FMR7700 Series for fire exit hardware for all types of 8' x 8' double doors for up to 3 hour fire labeled installations. Conforms to standards UL10C and UBC 7-2-1997 codes.
Mortise Lock.....	Grade (1) for 1 3/4" (44.5mm) thick doors. Handed (Non-Reversible). Specify RHR or LHR. Fits door prepared for ANSI Standard A115.1
Trim.....	See Trim Designs section
Electronic Functions.....	(ELR) Electrical Latch Retraction and RX & LX Signal Switch available
Alarm.....	Prefix "NALRM" before PART #
Dogging Feature.....	Cylinder dogging available for non-fire rated applications



MODEL SIZE	ACTUAL LENGTH	MAX CUT DOWN	DOOR SIZE
MR7700EO36, FMR7700EO36 MR7705EO36, FMR7705EO36	32"	6"	30" to 36" door width
MR7700EO48, FMR7700EO48 MR7705EO48, FMR7705EO48	44"	12"	36" to 48" door width

MR7700 & FMR7700 Series

GRADE 1 Mortise Lock Exit Device

Trim Selection



ESCUTCHEON LEVER DESIGN

FINISHES

Architectural plated finishes

DOOR THICKNESS

Standard 1 3/4"

HANDING

Non-Handed Trim

ESCUTCHEON DIMENSIONS

2" width X 8 1/2" length. Lever length: 4 3/4".



Also available
in TS Trim

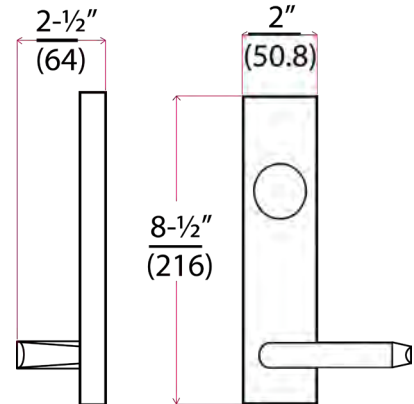
- MRESC-00 or MRESC00TS or
- ICMRESC-00 or
- ICSCMRESC-00
- ICMRESC-00TS

ENTRANCE
Key locks or unlocks lever
Operates as classroom function
ANSI FUNCTION (63)

IMPORTANT: MR7700 and FMR7700 Mortise Lock case comes standard with exit device. (TRIMS SOLD SEPARATELY)

- MRESC-05 or MRESC05TS or
- ICMRESC-05 or
- ICSCMRESC-05 or
- ICMRESC-05TS

STOREROOM
Key retracts latch bolt, otherwise always locked
ANSI FUNCTION (04)
*MUST USE MR7705EO36/48 Mortise Rim Exit



- MRESC-30
- MRESC30TS

PASSAGE
Trim always operable and free
ANSI FUNCTION (62)
*MUST USE MR7705EO36/48 Mortise Rim Exit

KEYWAY: 6-Pin solid brass "C" keyway Mortise Cylinder standard. Optional: Schlage E, Schlage C-K, Russwin D1-2-3-4, Corbin 59/60, Sargent LA-LB-LC, Falcon/Weiser E, Arrow A, Yale 8, Yale GA and Kwikset. Can also accept Medeco, Assa, Kaba and **Cal-Royal HSK** High Security Cylinders.

●(IC) **INTERCHANGEABLE CORE:** Interchangeable Core locks will accept compatible 6 or 7-Pin cores with BEST, FALCON and ARROW

●(ICSC) **INTERCHANGEABLE CORE:** Indicates function available with **Schlage Full Size Format** Interchangeable Core. Corbin, Sargent and Yale format also available.

**MORTISE LOCK CASE ELECTRIFICATION OPTION:
SPECIFY ITEM# UPON ORDERING**

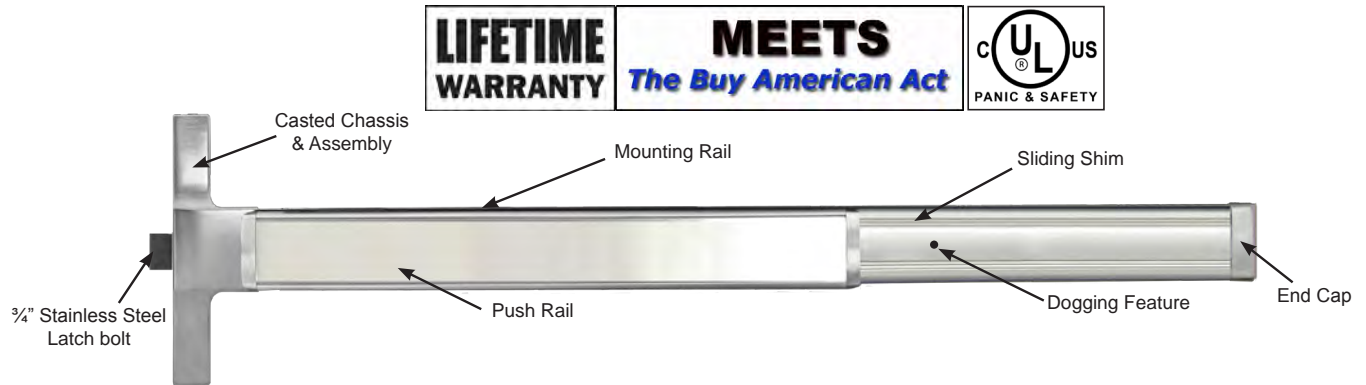
(MORTISE LOCK CASE COMES STANDARD WITH EXIT DEVICE)

ITEM#	DESCRIPTION
FS12MR	FAIL-SAFE (FS) OPTION 12V AC/DC
FS24MR	FAIL-SAFE (FS) OPTION 24V AC/DC
FSE12MR	FAIL-SECURE (FSE) OPTION 12V AC/DC
FSE24MR	FAIL-SECURE (FSE) OPTION 24V AC/DC

*Must be used with MRESC00 Trim.

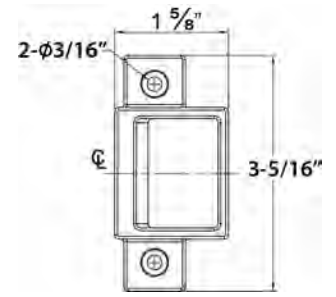
GLS7700 Series

GRADE 1 Rim Type Narrow Stile Exit Device

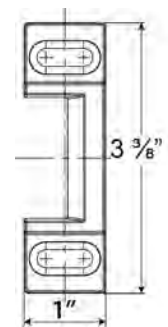


Specifications

For Doors	Wood, Metal or Aluminum Glass doors with 1 3/4" minimum stile width, 1 3/4" thickness for single or double door application
Chassis	Non-ferrous Alloy (Panic Grade)
Cover	Non-ferrous plated material.
Mounting	Furnished with wood and machine screws. Thru-bolts available upon request.
End Cap	Brass, Bronze or Stainless Steel construction
Alarm	Available on 36" bar only. Prefix "NALRM" before PART #
Hand	Non-handed
Latch Bolt	Stainless Steel 3/4" throw
Spring	Stainless Steel throughout
ANSI Standard	A156.3, Grade 1
Rail Assembly	Heavy gauge extruded aluminum body with Stainless Steel push pad
Strike	246 packed standard. Optional 247 strike. (See strike page)
Dogging Feature	Allen-type key furnished standard
Mullion	Available
UL and ULC Listed	GLS7700 Series for Panic & Safety for all types of 4' x 8' single doors and 8' x 8' double doors
Finish	Architectural plated finishes
Electronic Functions	(ELR) Electrical Latch Retraction and RX & LX Signal Switch available



246 STRIKE



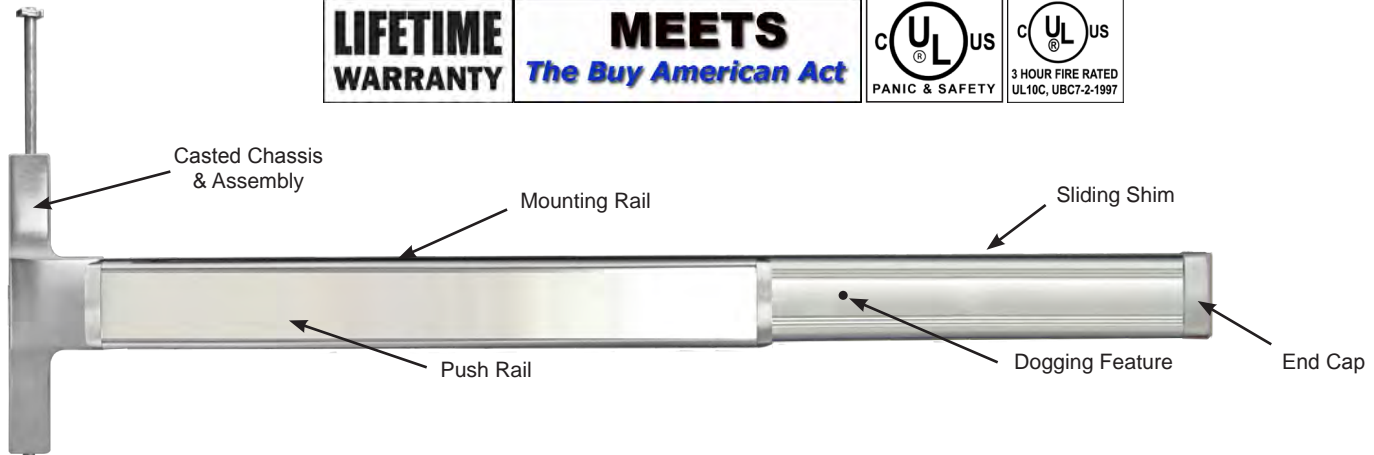
247 STRIKE (OPTIONAL)

DIMENSIONS

Push Rail height to finished floor	41" (1041 mm) at center		
Push Rail projection			
Neutral	3 5/8" (92 mm)		
Depressed	2 7/8" (73 mm)		
Center case	8 1/16" x 1 1/8" x 2 3/8" (205 mm x 29 mm x 60 mm)		
MODEL	ACTUAL LENGTH	MAX CUT DOWN	DOOR SIZE
GLS7700EO36	34 9/64"	10"	26" to 36" width
GLS7700EO48	45 29/32"	12"	36" to 48" width

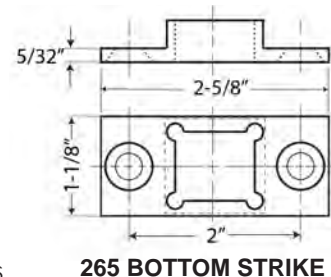
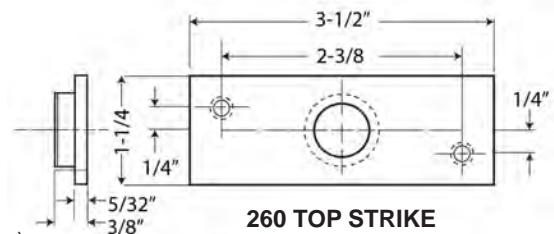
GLSCVR7700 & FGLSCVR7700 Series

GRADE 1 Concealed Vertical Type, Narrow Stile Exit Device Optional Less Bottom Rod (LBR)



Specifications

For Doors.....	Metal or Aluminum Glass doors with 1 3/4" minimum stile width, 1 3/4" thickness for single or double door application
Top Chassis.....	Non-ferrous Alloy (Panic Grade)
Cover.....	Non-ferrous plated material
Mounting.....	Furnished with wood and machine screws
End Cap.....	Brass, Bronze or Stainless Steel construction
Hand.....	Handed. Specify RHR or LHR
Top and Bottom Bolts.....	Stainless Steel. Top and bottom bolt travel 7/16" (11 mm) Stainless Steel. Adjustable to 1" (25 mm)
Spring.....	Stainless Steel throughout
ANSI Standard.....	A156.3, Grade 1
Rail Assembly.....	Heavy gauge extruded aluminum body with Stainless Steel push pad
Strike.....	260 Top and 265 Bottom strikes packed standard (See strike page)
Dogging Feature.....	Allen-type key furnished standard
Mullion.....	Available
UL and ULC Listed.....	GLSCVR7700 Series for Panic & Safety for all types of 4' x 8' single doors and 8' x 8' double doors for Panic & Safety. FGLSCVR7700 Series for all types of 6' x 7' pair of doors for up to 3 hour fire labelled installations. Conforms to standards UL10C and UBC 7-2-1997 codes.
Finish.....	Architectural plated finishes
Electronic Functions.....	(ELR) Electrical Latch Retraction and RX & LX Signal Switch available



DIMENSIONS

Push Rail height to finished floor	41" (1041 mm) at center		
Push Rail projection			
Neutral	3 5/8" (92 mm)		
Depressed	2 7/8" (73 mm)		
Center case	8 1/16" x 1 1/8" x 2 3/8" (205 mm x 29 mm x 60 mm)		
MODEL	ACTUAL LENGTH	MAX CUT DOWN	DOOR SIZE
GLSCVR773684, FGLSCVR773684	34 9/64"	10"	26" to 36" width
GLSCVR774884	45 29/32"	12"	36" to 48" width

Trim Selection

ESCUTCHEON LEVER DESIGN

CONSTRUCTION

- Free-wheeling clutch mechanism.
- Grade 1, thru-bolted design. Reversible design
- Hardened steel heavy duty tailpiece. Available for rim and concealed vertical rod exit devices

DOOR THICKNESS

Standard 1 3/4"

ESCUTCHEON DIMENSIONS

1 13/16" width X 8" length

Lever length: 5"



IMPORTANT: GLS7700 and GLSCVR7700 Trims are interchangeable with GLS9800 and GLSCVR9800 Trims

ELECTRIFICATION NOT AVAILABLE FOR TRIM.

Electrical Latch Retraction (ELR), Request to Exit (RX) and Latchbolt Monitoring (LX) available for Exit Device only.

GLSRIM9800
GLSCVR9800
⌘ ICGLSRIM9800
⌘ ICSCGLSRIM9800
⌘ ICGLSCVR9800
⌘ ICSCGLSCVR9800

ENTRANCE
 Clutch free-wheeling Entrance, key locks or unlocks escutcheon trim ANSI FUNCTION (63) Operates as classroom function
 CVR is used for Concealed Vertical Rod Exit Device
 RIM is used for Rim Type Exit Device

GLSRIM9805
GLSCVR9805
⌘ ICGLSRIM9805
⌘ ICSCGLSRIM9805
⌘ ICGLSCVR9805
⌘ ICSCGLSCVR9805

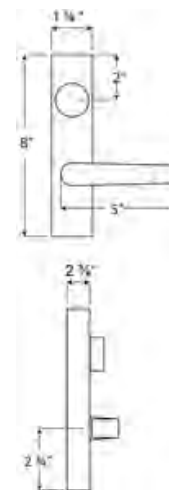
STOREROOM
 Clutch free-wheeling Storeroom, key unlocks lever, lever retracts latch bolt, otherwise always locked
 ANSI FUNCTION (04)
 CVR is used for Concealed Vertical Rod Exit Device
 RIM is used for Rim Type Exit Device

GLSRIM9830
GLSCVR9830

PASSAGE
 Trim always operable and free
 ANSI FUNCTION (62)
 CVR is used for Concealed Vertical Rod Exit Device
 RIM is used for Rim Type Exit Device

GLSRIM9840
GLSCVR9840

DUMMY
 Dummy Escutcheon trim ANSI FUNCTION (10)
 CVR is used for Concealed Vertical Rod Exit Device
 RIM is used for Rim Type Exit Device



AVAILABLE UPON REQUEST

AT, RL, TUB Lever Design

KEYWAY: 6-Pin solid brass "C" keyway Rim Cylinder standard. Optional: Schlage E, Schlage C-K, Russwin D1-2-3-4, Corbin 59/60, Sargent LA-LB-LC, Falcon/Weiser E, Arrow A, Yale 8, Yale GA and Kwikset. Can also accept Medeco, Assa, Kaba and **Cal-Royal HSK** High Security Cylinders.

⌘ (IC) INTERCHANGEABLE CORE: Interchangeable Core locks will accept compatible 6 or 7-Pin cores with BEST, FALCON and ARROW

⌘ (ICSC) INTERCHANGEABLE CORE: Indicates function available with **Schlage Full Size Format** Interchangeable Core. Corbin, Sargent and Yale format also available.

Trim Selection

PULL DESIGN - FOR GLS7700 RIM EXIT DEVICE ONLY



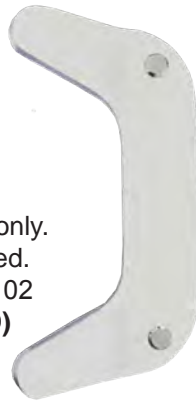
98GLSNL
⊗ IC98GLSNL
⊗ ICSC98GLSNL

Outside by pull and key.
 Key retracts latch bolt.
 ANSI function – 03
(SPECIFY HANDING)



98GLSUP

Outside by pull only.
 Pull when dogged.
 ANSI function – 02
(NON-HANDED)



GLSRIMEOP

Outside cover plate only.
ANSI function – 10

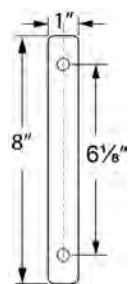
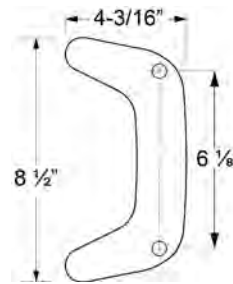
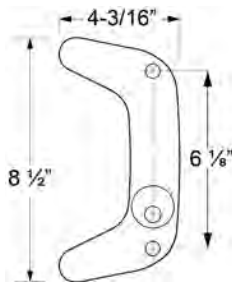


KEYWAY

Standard 6-Pin solid brass “C” keyway Rim Cylinder included.

FINISHES

Architectural plated finishes.



IMPORTANT: GLS7700 and GLSCVR7700 Trims are interchangeable with GLS9800 and GLSCVR9800 Trims



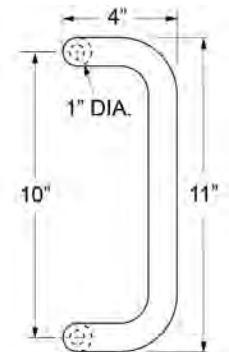
98GLSCYL-1



⊗ IC98GLSCYL-1
⊗ ICSC98GLSCYL-1



OFSTPUL-10
(REVERSIBLE)



KEYWAY: 6-Pin solid brass “C” keyway Rim Cylinder standard. Optional: Schlage E, Schlage C-K, Russwin D1-2-3-4, Corbin 59/60, Sargent LA-LB-LC, Falcon/Weiser E, Arrow A, Yale 8, Yale GA and Kwikset. Can also accept Medeco, Assa, Kaba and **Cal-Royal HSK** High Security Cylinders.

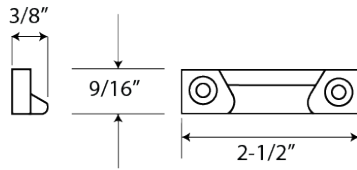
⊗ (IC) INTERCHANGEABLE CORE: Interchangeable Core locks will accept compatible 6 or 7-Pin cores with BEST, FALCON and ARROW

⊗ (ICSC) INTERCHANGEABLE CORE: Indicates function available with **Schlage Full Size Format** Interchangeable Core. Corbin, Sargent and Yale format also available.

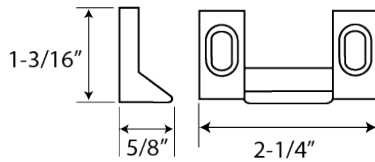
Strikes & Accessories

Strikes for use with 7760 vertical rod exit device

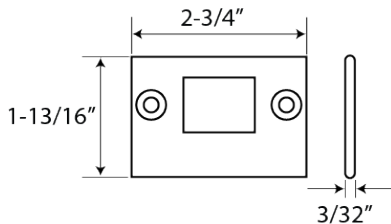
All strikes are black nylon coated



221
Standard for 7760. Applied to surface of floor or to a flat threshold. Standard packaging.

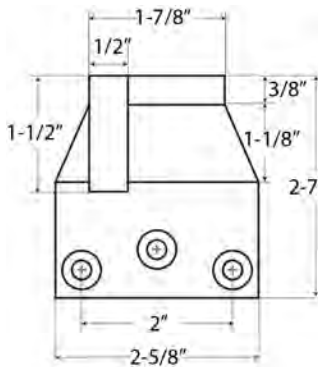


227
Applied to surface of stop. No mortise required. Standard packaging.



233
Bottom strike. Alternate bottom strike. Flush mounting stainless steel. Furnished with expansion shields. Requires mortise in the floor.

Overlapping Strikes

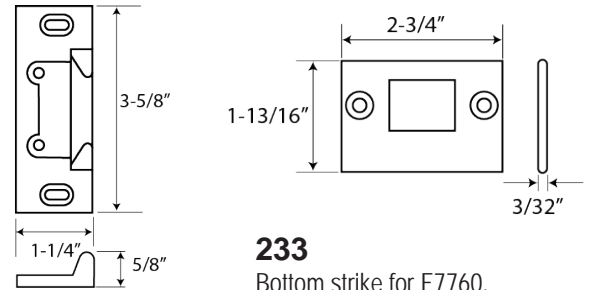


951
Surface applied. Used on inactive leaf for device on active leaf of pair of doors without mullion.

Additional Rods

Vertical rod for 10 feet high doors available on non-fire rated vertical rod devices only. Use Part # VRRD-10.

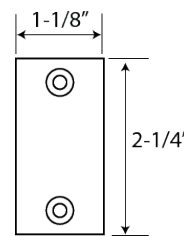
Strikes for use with 7760 vertical rod fire exit device



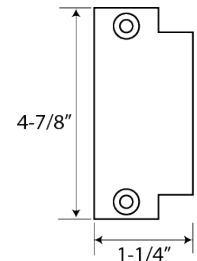
245
Surface applied for F7760. Standard packaging.

233
Bottom strike for F7760. Flush mounting stainless steel. Furnished with expansion shields. Requires mortise in the floor. Standard packaging.

Additional Accessories

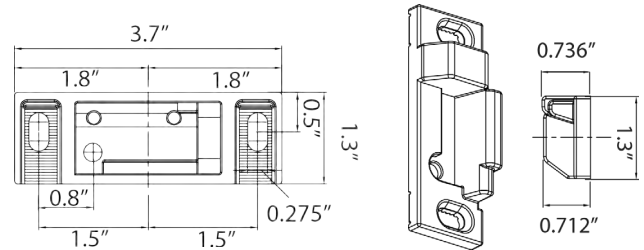


LFF
Lock front filler



SF
Strike filler

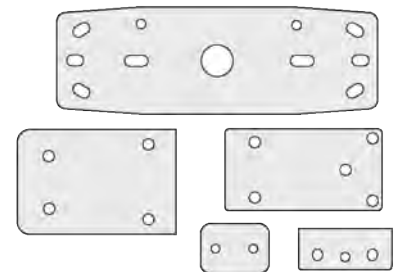
Strikes for use with 7700 rim type exit device



938
For 7700 surface applied. Standard packaging.

GLASS BEAD SHIM KITS

- 901** – For rim type, 1/8" thick
- 906** – For vertical type, 1/8" thick
- 912** – For fire rated type, 1/8" thick



Fire Exit Hardware Selector



FIRE EXIT HARDWARE RATING			UL DOOR RATING
APPLICATION	MODEL #	MAXIMUM DOOR OPENING	(A) 3 HOUR
SINGLE DOORS Rim type	F7700EO36 F7720EO48	4'0" X 8'0"	✓
PAIRS OF DOORS Two surface mounted standard vertical rod type or less bottom rod (LBR) application. Prefix LBR before Part # a) Swinging in same direction b) Swinging in opposite direction (double egress)	F7760V3684 X F7760V3684	8'0" X 7'2"	✓
	F7790V3696 X F7790V3696 F7780V4896 X F7780V4896	8'0" X 8'0"	✓
PAIRS OF DOORS Two rim type with Mullion	F7700EO36 F7720EO48	8'0" X 8'0"	✓

All fire rated exit devices in all applications, are also labeled for (B) 1 ½ hour, (C) ¾ hour, (D) 1 hour, (E) ¾ hour.
All fire exit hardware meet UL10C and UBC 7-2-1997 codes.

HOW TO ORDER INFORMATION

Exit device model number

Panic grade

7700 EO36 Rim type 36" door
7720 EO48 Rim type 48" door
7760 V3684 Vertical rod type 36" x 84"
7790 V3696 Vertical rod type 36" x 96"
7780 V4896 Vertical rod type 48" x 96"
VRRD10 – Rod for 10' non-rated door
7750 V36120 Vertical rod type 36" x 120"
7740 V48120 Vertical rod type 48" x 120"

Fire grade

F7700 EO36 Rim type 36" door
F7720 EO48 Rim type 48" door
F7760 V3684 Vertical rod type 36" x 84"
F7790 V3696 Vertical rod type 36" x 96"
F7780 V4896 Vertical rod type 48" x 96"
F7750 V36120 Vertical rod type 36" x 120"
F7740 V48120 Vertical rod type 48" x 120"

- 1) Specify exit device model number according to size of door.
- 2) Specify trim selection. For Interchangeable Core prefix "IC" before Part #. See trim selection pages.
- 3) For vertical rod devices specify LHR (Left Hand Reverse) or RHR (Right Hand Reverse) for convenience easily field reversible, otherwise shipped as LHR.
- 4) Specify finish:
US10B, 32D. See Page 7
- 5) On thru-bolt applications, fire rated vertical rod devices are packed with thru-bolts as standard feature. Thru-bolts are also available for other devices. To order thru-bolts add "SBN" to trim pack.

When ordering separately use following Part #

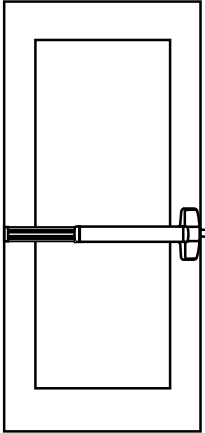
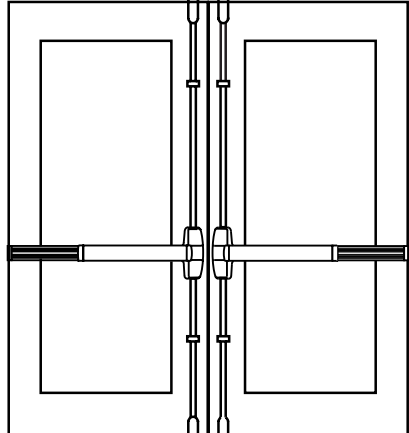
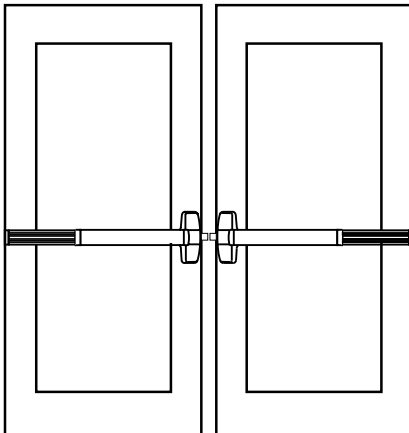
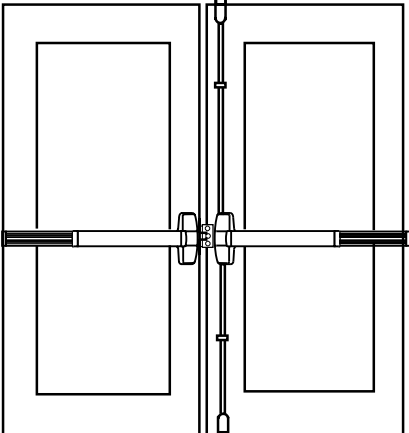
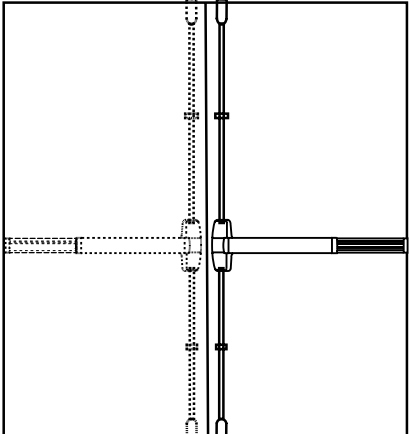
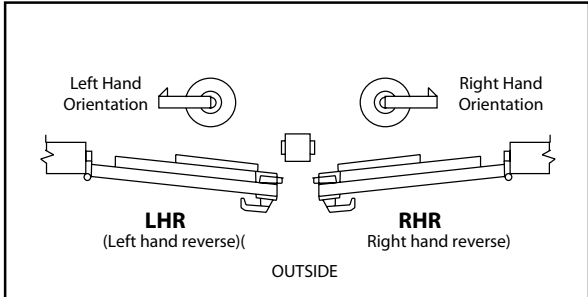
Cal-Royal Part # 357 — Thru-bolts for rim devices, 6 pcs / pack.
Cal-Royal Part # 369 — Thru-bolts for vertical rod devices, 14 pcs / pack.
Cal-Royal Part # 363 — Thru-bolts for rim devices, 6 pcs / pack for 2 ¼" thick doors.
Cal-Royal Part # 375 — Thru-bolts for vertical rod devices, 14 pcs / pack for 2 ¼" thick doors.

Ordering example: 7700EO36 ALUM X SBN X ENT00L 26D
F7780V4896 10B X ICSTR05L 10B

7700 Series

Fire and Non-Fire Exit Devices ANSI A156.3 Grade 1 Selector Chart



<p style="text-align: center;">SINGLE DOOR</p>  <p>Vertical rod type or Rim type</p> <p>Surface applied 2 point lock. Surface application</p>	<p style="text-align: center;">PAIR OF DOORS WITHOUT MULLION</p>  <p>2 Vertical rod type</p> <p>Surface applied 2 point locking both doors. Each door active same direction. Do not use with overlapping astragal.</p>
<p style="text-align: center;">PAIR OF DOORS WITH MULLION</p>  <p>2 Rim type with mullion</p> <p>Two independent active doors with full double door openings when required. Same direction.</p>	<p style="text-align: center;">PAIR OF DOORS WITHOUT MULLION</p>  <p>1 Vertical rod and 1 Rim type</p> <p>Both devices are surface applied. A coordinator and overlapping strike is recommended.</p>
<p style="text-align: center;">PAIR OF DOORS WITHOUT MULLION</p>  <p>2 Vertical rod type</p> <p>Double egress surface applied. 2 point locking both doors opposite directions.</p>	<p style="text-align: center;">HANDING</p>  <p>Left Hand Orientation Right Hand Orientation</p> <p>LHR RHR (Left hand reverse) (Right hand reverse)</p> <p style="text-align: center;">OUTSIDE</p> <p>CAL-ROYAL PRODUCTS, INC. 6605 FLOTILLA ST., COMMERCE, CA 90040 U.S.A. TEL: (323) 888-6601 FAX: (323) 888-6699 Website: cal-royal.com * Email: sales@cal-royal.com</p>

Exit Devices

Comparison Chart

RIM EXIT DEVICE CONVERSIONS	RIM	VERTICAL ROD	RIM	VERTICAL ROD	CONCEALED VERTICAL ROD	MORTISE RIM	NARROW STILE RIM	NARROW STILE CVR
ARROW	S1200	S1100	S3800 / 1800	S3700	S3600	S3900	S4803	S4601
CAL-ROYAL	9800 / 7700	9860 / 7760	2200 / 4400	2260	MCVR9800 / WCVR9800 / MCVR7700 / WCVR7700	MR9800 / MR7700	GLS9800 / GLS7700	GLSCVR9800 / GLSCVR7700
CORBIN / RUSSWIN	ED8200	ED8400	ED5400 / ED6000	ED4750	ED5800	ED5600	ED4200	ED4800
DETEX	V4000	---	10	20	70	30	V40NS	60
DORMA	8300	8400	9300	9400	9100	9500	AD4300	AD4100
PRECISION	5100	5200	2100 / 100	9800 / 200	2800	2300	2400	2600
SARGENT	2828	2727	8800 / 9898	8700	MD8600 / WD8600	8900	AD8500	AD8410
VON DUPRIN	98 / 99	9827 / 9927	98	9827	9947EO	9975EO	33A	3348
YALE	2100	2110	7100 / 1500	7110 / 1510	7120	7130	7250	7220



Distributed by:

9800 & F9800 Rim Type Panic and Fire Exit Devices (ADA Optional) 9860 & F9860 Vertical Rod Panic and Fire Exit Devices (ADA Optional) ANSI A156.3, Grade 1



Features & Construction

- ◆ **Retrofits Sargent 8800 Series using 9800 Escutcheon Trim**
- ◆ Americans with Disability Act (ADA) compliant. 5lbs opening force on ADA product only
- ◆ ANSI A156.3, Grade 1 heavy duty exit device in surface vertical rod and rim designs
- ◆ Rail assemblies and end caps are brass, bronze or stainless steel and rail travels in direction of the door swing
- ◆ Trims are thru-bolted for additional security
- ◆ Conforms & meets ADA Regulations (ADA products only)
- ◆ UL Listed for Panic and UL10C, UBC 7-2-1997 codes
- ◆ UL Listed for Fire Exit Hardware. 3 hours
- ◆ (A) label rating on pairs of doors up to 8'0" x 8'0" swinging in same or opposite directions
- ◆ Uncompromising security and safety in single and double fire exit doors
- ◆ Chassis mounted unit construction. Rim and vertical rod devices are non-handed and easily reversible.
- ◆ Available in many different functions. Lever and escutcheon trims are grade 1 construction with clutch on rose trims. Escutcheon trims are rigid and covers 161 cut out.
- ◆ For use in institutions, schools, universities, commercial buildings where heavy duty reliable operation is a requirement

Suggested Architect's Specifications

- ◆ All exit devices shall be of touch bar design with smooth operation and be operative over $\frac{2}{3}$ of the door's clear opening width
- ◆ All exit devices must be listed under "Panic Hardware" in the Accident Equipment List of Underwriter' Laboratories, Inc. Where labeled doors are used as exits, they must be equipped with labeled Fire Exit Hardware and UL10C
- ◆ UBC 7-2-1997 codes
- ◆ All springs shall be of stainless steel throughout
- ◆ All exit devices shall be of chassis mounted unit construction.
- ◆ All exit devices shall be ANSI A156.3, Grade 1, ADA option

9800 & F9800 Series A9800 & AF9800 ADA Series

GRADE 1, Rim Type Exit Device



**Americans with Disability Act (ADA) compliant
5 lbs opening force on ADA Series only*

**Refer to the Price List for Stock Sizes and Finishes*

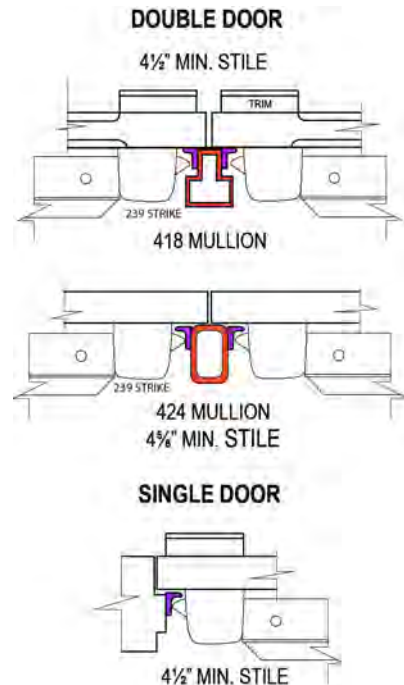
Specifications

- For Doors.....** 1 3/4" thick standard optional 2 1/4" thick. 4 1/2" minimum stile width required for single or double door application using standard 239 strike and pull or lever, thumbpiece and escutcheon trims.
2 3/4" backset
- ADA Series.....** Prefix "A" before the MODEL #
- Chassis.....** Non-ferrous Alloy (Panic Grade), Steel (Fire Grade)
- Cover.....** Brass, Bronze or Stainless Steel. Covers stock hollow metal doors with 161 cutout
- Mounting.....** Furnished with wood and machine screws. Available with thru-bolts on request. **Thru-bolts are included and standard packaging on fire rated devices**
- Dogging Feature.....** Allen-type key furnished standard on non-fire labeled devices. Cylinder dogging available
- Mullion.....** Available
- UL and ULC Listed...** 9800 Series for panic. F9800 Series for fire exit hardware for all types of 4' x 8' single doors and 8' x 8' double doors for up to 3-hour fire labeled installations, conforms to standards UL10C and UBC 7-2-1997 codes
- Finish.....** Architectural plated finishes. See page 33
- Electronic Functions...** (ELR) Electrical Latch Retraction and RX & LX Signal Switch available

- End Cap.....** Brass, Bronze or Stainless Steel construction
- Alarm.....** Available. See page 33
- Hand.....** Non handed, center hub
- Latch Bolt.....** Stainless Steel 3/4" throw
- Spring.....** Stainless Steel throughout
- ANSI Standard.....** A156.3, Grade 1
- Strike.....** 239 packed standard (See strike page)
- Trim.....** See Trim Designs section

Minimum Stile Requirements

4" escutcheon trims and
4 1/2" for thumbpiece and rose trim



DIMENSIONS

Touchbar height to finished floor	41" (1041 mm) at center		
Touchbar Projection			
Neutral	2 1/2" (64 mm)		
Depressed	1 3/4" (45 mm)		
Center case	8 1/2" x 2 1/2" x 2" (216 mm x 64 mm x 51 mm)		
MODEL	ACTUAL SIZE	MAX CUT DOWN	DOOR SIZE
9800EO24, F9800EO24,	20"	2"	22" to 24" door width
9800EO32, F9800EO32	28"	6"	26" to 32" door width
9800EO36, F9800EO36	32"	6"	30" to 36" door width
9820EO48, F9820EO48	44"	12"	36" to 48" door width

**Add prefix "A" before MODEL # for ADA Exit Devices.*

9860V & F9860V Series A9860V & AF9860V ADA Series GRADE 1, Vertical Rod Type Exit Device



LIFETIME WARRANTY	BHMA™ CERTIFIED Be Safe. Be Secure. Look for the Mark.	MEETS The Buy American Act	ADA COMPLIANT	UL US 3 HOUR FIRE RATED UL10C, UBC7-2-1997
--------------------------	--	--------------------------------------	---------------	---

Specifications



For Doors.....	1 3/4" thick standard optional 2 1/4" thick. 3 3/4" minimum stile width required for single door application. 3 1/2" minimum stile width required for double door application. Lever, thumbpiece and escutcheon trims available. 2 3/4" backset
ADA Series.....	Prefix "A" before the MODEL #
Top & Bottom Chassis.....	Non-ferrous Alloy (Panic Grade), Steel (Fire Grade)
Cover.....	Brass, Bronze or Stainless Steel. Covers stock hollow metal doors with 161 cutout.
Mounting.....	Furnished with wood and machine screws. Thru-bolts are standard packaging on fire rated devices
Alarm.....	Available. Prefix "NALRM" before MODEL #
End Cap.....	Brass, Bronze or Stainless Steel Construction
Hand.....	Handed. Easily field reversible. Specify at time of order LHR, RHR for convenience
Latch Bolt, Spring.....	Stainless Steel
ANSI Standard.....	A156.3, Grade 1
Rail Assembly.....	Heavy gauge brass, bronze or stainless steel
Strike.....	See strike page
Dogging Feature.....	Allen-type key furnished standard on non-fire labeled devices. Cylinder dogging available
Electronic Functions.....	(ELR) Electrical Latch Retraction and RX & LX Signal Switch available
UL and ULC Listed.....	9860 Series for panic. F9860 Series for fire exit hardware for all types of 8' x 10' double doors for up to 3-hour fire labeled installations, conforms to standards UL10C and UBC 7-2-1997 codes
Finish.....	Architectural plated finishes. See page 33

***Americans with Disability Act (ADA) compliant
5 lbs opening force on ADA Series only**

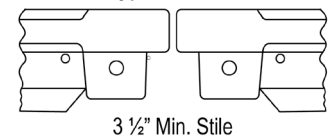
***Refer to the Price List for Stock Sizes and Finishes**

DIMENSIONS

Touchbar height to finish floor	41" (1041 mm) at center
Touchbar Projection	
Neutral	2 1/2" (64 mm)
Depressed	1 3/4" (45 mm)
Panic grade top & bottom latch case	3 15/16" x 2 1/8" x 1 3/8" (100 mm x 54 mm x 35 mm)
Fire grade top latch case	3 15/16" x 2 11/16" x 2 1/16" (100 mm x 68 mm x 52 mm)
Fire grade bottom latch case	3 15/16" x 2 1/8" x 1 3/8" (100 mm x 54 mm x 35 mm)
Top and bottom rod length for 36" x 84"	Top rod 37 1/2" (953 mm), bottom rod 35 5/8" (905 mm) ADA Top rod 35 1/4" (895 mm), bottom rod 34 1/4" (867 mm)
Top and bottom rod length for 48" x 96"	Top rod 49 5/8" (1260 mm), bottom rod 35 5/8" (905 mm)
Vertical rods	1/2" (13 mm) Round tubing

Minimum Stile Requirements

Double Door with Two Vertical Rod Type Exit Devices



MODEL	ACTUAL SIZE	MAX CUT DOWN	DOOR SIZE
9810V2484, F9810V2484	20"	2"	22" to 24" door width
9860V3684, F9860V3684, 9890V3696, F9890V3696, 9850V36120, F9850V36120, 9870V3284, F9870V3284	32"	6"	30" to 36" door width
9880V4896, F9880V4896, 9840V48120, F9840V48120	44"	12"	36" to 48" door width

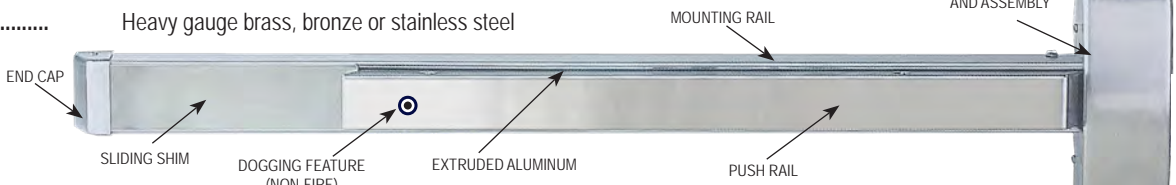
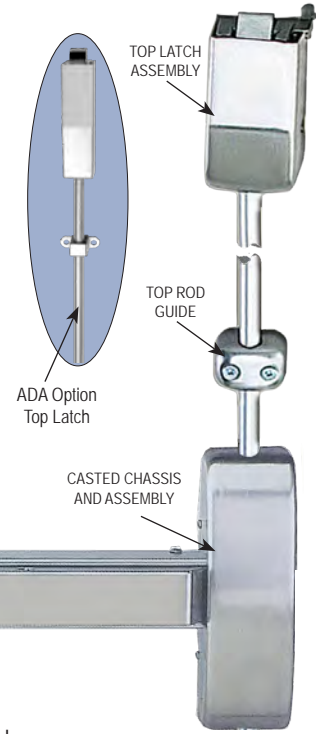
***Add prefix "A" before MODEL # for ADA Exit Devices.**

LBR9860V & LBRF9860V Series ALBR9860V & ALBRF9860V ADA Series GRADE 1, Vertical Rod Exit Device Less Bottom Rod

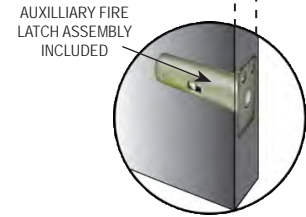


Specifications

For Doors.....	1 3/4" thick standard optional 2 1/4" thick. 3 3/4" minimum stile width required for single door application. 3 1/2" minimum stile width required for double door application. Lever, thumbpiece and escutcheon trims available. 2 3/4" backset
ADA Series.....	Prefix "A" before the MODEL #
Top Chassis.....	Non-ferrous Alloy (Panic Grade), Steel (Fire Grade)
Cover.....	Brass, Bronze or Stainless Steel. Covers stock hollow metal doors with 161 cutout.
Mounting.....	Furnished with wood and machine screws. Thru-bolts are standard packaging on fire rated devices
Alarm.....	Available. Prefix "NALRM" before MODEL #
End Cap.....	Brass, Bronze or Stainless Steel Construction
Hand.....	Handed. Easily field reversible. Specify at time of order LHR, RHR for convenience
Latch Bolt, Spring.....	Stainless Steel
Auxiliary Spring Latch.....	Auxiliary spring loaded latchbolt is installed in the lower edge of the door, when exposed to fire, latchbolt releases keeping the door closed and regulated. Comes standard on Fire-Rated device only.
ANSI Standard.....	A156.3, Grade 1
Rail Assembly.....	Heavy gauge brass, bronze or stainless steel



Strike.....	See strike page
Dogging Feature.....	Allen-type key furnished standard on non-fire labeled devices. Cylinder dogging available
Electronic Functions.....	(ELR) Electrical Latch Retraction and RX & LX Signal Switch available
UL and ULC Listed.....	9860 Series for panic. F9860 Series for fire exit hardware for all types of 8' x 8' double doors for up to 3-hour fire labeled installations. Conforms to standards UL10C and UBC 7-2-1997 codes.
Finish.....	Architectural plated finishes. See page 33



***Americans with Disability Act (ADA) compliant
5 lbs opening force on ADA Series only**

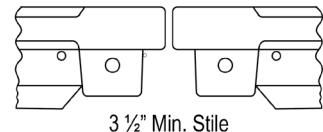
***Refer to the Price List for Stock Sizes and Finishes**

DIMENSIONS

Touchbar height to finish floor	41" (1041 mm) at center
Touchbar Projection	
Neutral	2 1/2" (64 mm)
Depressed	1 3/4" (45 mm)
Panic grade top & bottom latch case	3 15/16" x 2 1/8" x 1 3/8" (100 mm x 54 mm x 35 mm)
Fire grade top latch case	3 15/16" x 2 11/16" x 2 1/16" (100 mm x 68 mm x 52 mm)
Fire grade bottom latch case	3 15/16" x 2 1/8" x 1 3/8" (100 mm x 54 mm x 35 mm)
Top and bottom rod length for 36" x 84"	Top rod 37 1/2" (953 mm)
Top and bottom rod length for 48" x 96"	Top rod 49 5/8" (1260 mm)
Vertical rods	1/2" (13 mm) Round tubing

Minimum Stile Requirements

Double Door with Two Vertical Rod Type Exit Devices



MODEL	ACTUAL SIZE	MAX CUT DOWN	DOOR SIZE
LBR9810V2484, LBRF9810V2484	20"	2"	22" to 24" door width
LBR9870V3284, LBRF9870V3284	28"	6"	26" to 32" door width
LBR9860V3684, LBRF9860V3684, LBR9890V3696, LBRF9890V3696, LBR9850V36120	32"	6"	30" to 36" door width
LBR9880V4896, LBRF9880V4896, LBR9840V48120	44"	12"	36" to 48" door width

***Add prefix "A" before MODEL # for ADA Exit Devices.**

Alarm Exit Hardware

GRADE 1 Rim Type Exit Device



Rim Type Exit Devices

- NALRM9800EO36 Alarm Rim Type 36" Door (Panic Grade)
- NALRM9820EO48 Alarm Rim Type 48" Door (Panic Grade)
- FNALRM980036 Alarm Rim Type 36" Door (Fire Grade)
- FNALRM982048 Alarm Rim Type 48" Door (Fire Grade)

Also available on ADA Series

Vertical Rod Type Exit Devices

Prefix "NALRM" before MODEL #

Features

- 1, 3, 5-minute and continuous alarm type settings available 3 1/2"
- ON and OFF power switch
- Alarm sound frequency is 120 db
- Alarm unit has an internal horn. When the push rail is depressed, the horn sounds to provide an audible means of signaling that the door has been opened and breached
- The key switch to turn alarm off is a standard 1 1/4" cylinder with "C" keyway. The alarm operates on one standard 9-volt transistor battery. When battery is weak the horn will emit an intermittent signal.
- Alarmed units are supplied with a micro switch, which monitors the push rail and the latch bolt for foolproof security on rim devices
- Alarm unit has a signal OC output that can be linked to external alarm control systems
- Easy removal of the alarm unit without the need to dismount the exit device for battery maintenance
- Unit includes "EMERGENCY EXIT ONLY ALARM WILL SOUND" decal for application on door or unit

Finishes

Cal-Royal	Description	BHMA	US Finish	Material
P	Prime Coat	600	USP	Steel
3	Polished Brass, Clear Powder Coat	605	US3	Brass
4	Satin Brass, Clear Powder Coat	606	US4	Brass
9	Polished Bright Bronze	611	US9	Bronze
10	Satin Bronze, Clear Powder Coat	612	US10	Bronze
10B	Oil Rubbed Bronze	613	US10B	Bronze
26	Polished Bright Chrome	625	US26	Brass
26D	Satin Chrome	626	US26D	Brass
32	Polished Bright Stainless	628	US32	Stainless Steel
32D	Satin Stainless	630	US32D	Stainless Steel

Trim Selection

CLUTCH CYLINDRICAL LEVER

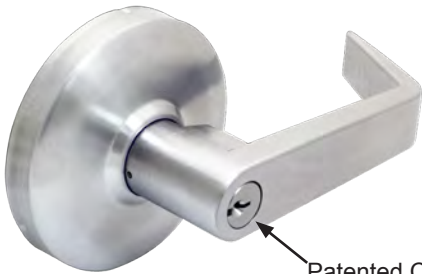


Non-handed Grade 1 (Clutch Style)

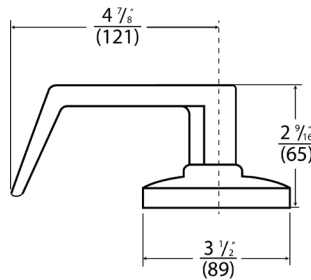
Cylindrical body hardened steel heavy duty tailpiece. For 1 3/4" and 2 1/4" doors. Prefix THI before Part # for 2 1/4" door thickness. Available for fire and non fire rated rim and vertical rod exit devices.

Rose diameter 3 1/2", lever length 4 3/4". Fits and covers 161 cutout.

Finishes: Architectural plated finishes.



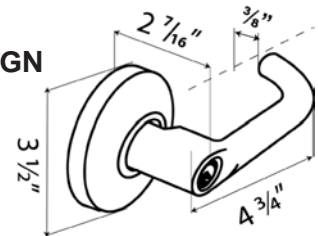
Patented Clutch Freewheeling



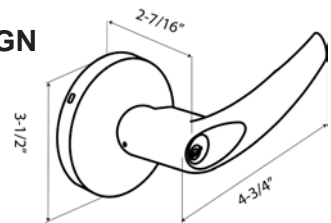
Other Lever Trim Designs



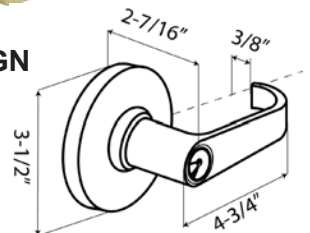
TUB DESIGN



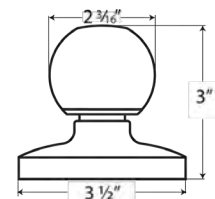
AT DESIGN



SPA DESIGN



8000K



- ENT00L or
- ICENT00L or
- ICSCENT00L4
- SARICENT00L (Sargent)
- RUSICENT00L (Corbin/Ruswin)
- YALICENT00L (Yale)
- 8000K

ENTRANCE
Key locks and unlocks lever. Operates as CLASSROOM FUNCTION. ANSI Function – 08

Ball Knob Keylock

- STR05L or
- ICSTR05L or
- ICSCSTR05L4
- SARICSTR05L (Sargent)
- RUSICSTR05L (Corbin/Ruswin)
- YALICSTR05L (Yale)

STOREROOM
Key operates lever, otherwise always locked. ANSI Function – 04

PAS30L

PASSAGE
Trim always operable and free. ANSI Function - 15

DUM40L

DUMMY
Dummy trim. One sided ANSI Function – 10

When ordering "AT" and "SPA" designs, prefix design name before Part #. Example: ENT00L in "AT" is **ATENT00L**.

KEYWAY: 6-Pin solid brass "C" keyway standard. Optional: Schlage E, Schlage C-K, Ruswin D1-2-3-4, Corbin 59/60, Sargent LA-LB-LC, Falcon/Weiser E, Arrow A, Yale 8, Yale GA and Kwikset. Can also accept Medeco, Assa, Kaba and **Cal-Royal HSK** High Security Cylinders.

- **(IC) INTERCHANGEABLE CORE:** Interchangeable Core locks will accept compatible 6 or 7-Pin cores with BEST, FALCON and ARROW.
- **(ICSC) INTERCHANGEABLE CORE:** Indicates function available with Schlage Full Size Format Interchangeable Core. Corbin, Sargent and Yale format also available.

Trim Selection

HEAVY DUTY STAINLESS STEEL CLUTCH LEVER ESCUTCHEON (High Frequency Abusive Situation such as Schools, Hospitals, Industrial / Institutions)

CONSTRUCTION

- Clutch mechanism
- Double heavy duty spring support to prevent sagging and enhance operation
- Grade 1, thru-bolted design. Non-handed design. Easily field reversible
- All Stainless Steel heavy duty tailpiece.
Available for fire and non fire rated rim and vertical rod exit devices
- Standard 6-Pin Schlage "C" Mortise Cylinder included

DOOR THICKNESS

Standard 1 3/4" to 2". For 2 or 2 1/2" thick door use additional Part # TAIL9

ESCUTCHEON DIMENSIONS

2 5/8" width X 10 5/8" length. Lever length: 4 5/8"

Fits and covers 2 1/8" 161 cutout

HDESC-00 or

- ICHDESC-00
- ICCHDESC-00
- HDTSESC-00
- ICHDTSESC-00
- ICCHDTSESC-00

ENTRANCE

Clutch Entrance, key locks or unlocks escutcheon trim
ANSI FUNCTION (63) Operates as classroom function

HDESC-05 or

- ICHDESC-05
- ICCHDESC-05
- HDTSESC-05
- ICHDTSESC-05
- ICCHDTSESC-05

STOREROOM

Clutch Storeroom, key unlocks lever, lever retracts
latch bolt, otherwise always locked
ANSI FUNCTION (04)

HDESC-30

HDTSESC-30

PASSAGE

Trim always operable and free
ANSI Function (62)

HDESC-40

HDTSESC-40

DUMMY

Dummy Escutcheon trim ANSI FUNCTION (10)

KEYWAY: 6-Pin solid brass "C" keyway Mortise Cylinder standard. Optional: Schlage E, Schlage C-K, Russwin D1-2-3-4, Corbin 59/60, Sargent LA-LB-LC, Falcon/Weiser E, Arrow A, Yale 8, Yale GA and Kwikset. Can also accept Medeco, Assa, Kaba and *Cal-Royal HSK* High Security Cylinders.

FOR ELECTRIFIED TRIM OPTIONS SEE PAGE 38

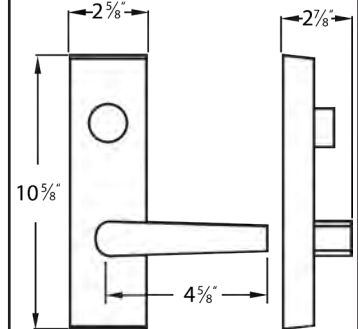
• **(IC) INTERCHANGEABLE CORE:** Interchangeable Core locks will accept compatible 6 or 7-Pin cores with BEST, FALCON and ARROW

• **(ICSC) INTERCHANGEABLE CORE:** Indicates function available with **Schlage Full size format** Interchangeable Core. Corbin, Sargent and Yale format also available.

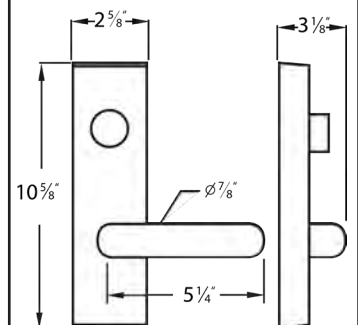
Lever Trim Designs



HDESC



HDTSESC



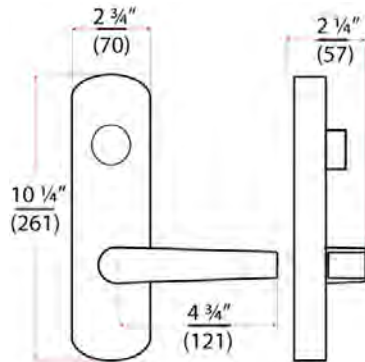
Trim Selection

RIGID LEVER ESCUTCHEON



CONSTRUCTION

- Rigid, non clutch mechanism.
- Double heavy duty spring support to prevent sagging and enhance operation.
- Grade 1, thru-bolted design. Non-handed design. Easily field reversible.
- Hardened steel heavy duty tailpiece. Available for fire and non fire rated rim and vertical rod exit devices.
- Standard 6-Pin Schlage "C" Mortise Cylinder included



DOOR THICKNESS

Standard 1 3/4". For 2 1/4" thick door use additional Part # TAIL3

ESCUTCHEON DIMENSIONS

2 3/4" width X 10 1/4" length. Lever length: 4 3/4". Fits and covers 2 1/8" 161 cutout

<p>NESC9800 or ICNESC9800 or ICSCNESC9800</p> <p>NESC9805 or ICNESC9805 or ICSCNESC9805</p> <p>NESC9830</p> <p>NESC9840</p>	<p>ENTRANCE Rigid Entrance, key locks or unlocks escutcheon trim ANSI FUNCTION (63) Operates as classroom function</p> <p>STOREROOM Rigid Storeroom, key unlocks lever, lever retracts latch bolt, otherwise always locked ANSI FUNCTION (04)</p> <p>PASSAGE Trim always operable and free ANSI Function (62)</p> <p>DUMMY Dummy Escutcheon trim ANSI FUNCTION (10)</p>
---	---

TO ORDER other lever design insert "AT" or "RL" before "ESC":
e.g. **ATESC9800** for ESC9800 with AT design or **RLESC9800** for ESC9800

KEYWAY: 6-Pin solid brass "C" keyway Mortise Cylinder standard. Optional: Schlage E, Schlage C-K, Russwin D1-2-3-4, Corbin 59/60, Sargent LA-LB-LC, Falcon/Weiser E, Arrow A, Yale 8, Yale GA and Kwikset. Can also accept Medeco, Assa, Kaba and **Cal-Royal HSK** High Security Cylinders.

FOR ELECTRIFIED TRIM OPTIONS SEE PAGE 38

- **(IC) INTERCHANGEABLE CORE:** Interchangeable Core locks will accept compatible 6 or 7-Pin cores with BEST, FALCON and ARROW.
- **(ICSC) INTERCHANGEABLE CORE:** Indicates function available with **Schlage Full Size Format** Interchangeable Core. Corbin, Sargent and Yale format also available.

Lever Trim Designs



NESC



ATESC



RLESC



TUBESC

Trim Selection

PULL DESIGN



9800 NL
IC9800NL
ICSC9800NL

FOR RIM DEVICES ONLY

Outside by pull and key.
Key retracts latch bolt.
ANSI function – 03
Covers 161 cutout

KEYWAY

Standard 6-Pin solid brass “C” keyway Rim Cylinder included.

FINISHES

Architectural plated finishes.



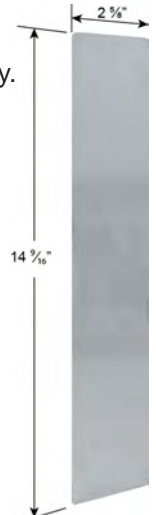
9800 DTP

Outside by pull only.
Pull when dogged.
ANSI function – 02
Covers 161 cutout.



9800 EOP

Outside by plate only.
ANSI function – 10
Covers 161 cutout



THUMBPIECE TRIM

(OPERATES ON RIM & VERTICAL ROD DEVICES)

- 98TP-00 or
- IC98TP00
- ICSC98TP00

ENTRANCE

Key locks or unlocks thumbpiece.
(Operates as classroom function)
ANSI Function – 63

- 98TP-05 or
- IC98TP05
- ICSC98TP05

STOREROOM

Key unlocks thumbpiece, thumbpiece retracts latch bolt, otherwise always locked.
ANSI Function-04

98TP-30

PASSAGE

Trim always operable and free.
ANSI Function – 62

98TP-40

DUMMY

Dummy trim. **Includes blank Mortise dummy cylinder.** One sided.
ANSI function – 10

KEYED



DUMMY



KEYWAY: 6-Pin solid brass “C” keyway Mortise Cylinder standard. Optional: Schlage E, Schlage C-K, Russwin D1-2-3-4, Corbin 59/60, Sargent LA-LB-LC, Falcon/Weiser E, Arrow A, Yale 8, Yale GA and Kwikset. Can also accept Medeco, Assa, Kaba and **Cal-Royal HSK** High Security Cylinders.

● **(IC) INTERCHANGEABLE CORE**

Interchangeable Core locks will accept compatible 6 or 7-Pin cores with BEST, FALCON and ARROW.

● **(ICSC) INTERCHANGEABLE CORE:** Indicates function available with **Schlage Full Size Format** Interchangeable Core. Corbin, Sargent and Yale format also available.

FINISHES

Architectural plated finishes.

Electrified Lever Trim

GRADE 1 Rim and Vertical Rod Type Exit Device



Cal-Royal's electrified lever trim provides remote locking and unlocking capabilities using industry safety standards. The 24V DC solenoid can be energized from a distant controller, thus allowing access control of the opening.

The control of stairwells in high-rise buildings is a common application for this trim, where electric pullback of the exit device's latch bolt is cost prohibitive or not required. This is especially practical in applications where fire/life safety codes require a "fail-safe" condition which is not an option with electrified latch pullback devices. Because the current draw is quite low there is no need for a more expensive power supply to provide the surge current.

Features

- Continuous duty solenoids used to insure trouble-free operation
- Internally mounted solenoid to ease installation (no special door prep required)
- No hassle 3-year warranty

Options

- Available Fail Safe (Electrically Locked) or Fail Secure (Electrically Unlocked)
- Voltage options – 12V or 24V (AC/DC)
- Request to Enter Switch (REE) available
- CRU2 – Current Reduction Unit to improve solenoid life in "continuously on" applications

Specifications

Solenoid.....Continuous Duty 24VDC

Operating Voltage....12 or 24VAC/DC + OR – 10%
(must specify 12 or 24 volts when ordering)

Amperage.....260mA@12V / 160mA@24V

Coil Resistance.....12V=49Ω / 24V=159Ω

To order, Specify:

OPTIONS: FAIL SAFE (FS)

FAIL SECURE (FSE)

ITEM#	DESCRIPTION
FS12	FS12 FAIL-SAFE OPTION 12V AC/DC
FS24	FS24 FAIL-SAFE OPTION 24V AC/DC
FSE12	FSE12 FAIL-SECURE OPTION 12V AC/DC
FSE24	FSE24 FAIL-SECURE OPTION 24V AC/DC

TO ORDER other design add "ESC98", "ATESC98", "RLESC98", "TUBESC98"
e.g. FSE24**ATESC98** for ESC98 in AT design or FSE24**RLESC98** for ESC98 in RL design

TO ORDER heavy duty design add **HD** or **TS** to Item#
e.g. FS12**HD** or FS12**TS**

Lever Trim Designs



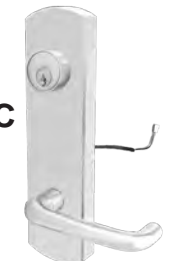
NESC



ATESC



RLESC

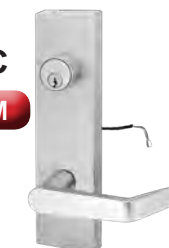


TUBESC



NEW ITEM

HDTSESC



HDESC

NEW ITEM

(ELR) Electric Latch Retraction

Our motor driven electrified latch pullback exit device allows for remote keyless access control in high occupancy / high traffic conditions where exit devices are required. Common applications include conditions such as hospitals, airports, schools, churches and they are commonly specified in applications that require automatic door openers. The device may be continuously energized allowing for a push / pull condition if desired.

Features:

- Available on 9800 Series, including rim, vertical rod, concealed vertical rod fire-rated devices
- MM3 Smart Module: On board diagnostics with audible feedback for adjustment and power issues
- “PTS” (Push to Set Technology): 5 second electronic adjustment for easy post installation adjustment
- Electric dogging rated for continuous duty - Auto retraction if dogged push pad is pulled from position
- Low current draw
- Up to 500’ wire run with 2-18ga wire - Long wire runs provides installer with convenience of placing the locking device power supply in a centralized location; i.e. the same closet as the access panel
- 6’ cable with Quick Connect for MM3 module to easily connect to power supply lead
- 3-year “No Hassle” warranty

Specifications:

- Voltage – 22 to 28 VDC
- System protection – unit shutdown when voltage exceeds 28VDC
- Average In-rush Current – 1A; Average Hold Current -180mA
- PTS adjustment – approx. 1/4”
- Wire run: 500’ with 18ga wire; 700’ with 16ga wire

To order, specify:

- Prefix **ELR** before PART #

Note: When using electrified hinge, you must use prefix ELELRn + hinge item code, where “n” is equal to number of wires. For example: ELELR4 + BB31.



**FOR FIELD INSTALLATION
USE FLR2298 KIT**

**MUST USE CRP POWER SUPPLIES
TO HONOR WARRANTY (see page 15)**

Signal Switch RX and LX

RX (request to exit) signal switch is used to signal the use of an opening from the push side. When the push pad is depressed, the switch is activated. These devices are equipped with an internal SPDT (single pole double throw) switch that monitors the touch bar.

LX (latch bolt monitoring) signal switch monitors both egress and access of an opening. When the latch bolt is retracted, the switch is activated. These devices are equipped with an internal SPDT (single pole double throw) switch that monitors the latch bolt position.

LX and **RX** switches can be combined.

LX, RX switches can be used in combination with ELR (electric latch retraction) option.

Specifications

RX or **LX**.....Switch rated 0.5 amps @ 24VAC/DC resistive
 Low current **RX** or **LX**.Switch rated 0.5 amps @ 24VAC/DC resistive
 For Factory Installed:

To Order, Specify:

- Prefix: - **RX9800**.....Request to Exit switch for field installation
- LX9800**.....Latch bolt Monitoring switch for field installation
- LXR9800**.....Latch bolt Monitoring/Request to Exit Combination

Heavy Duty Digital Exit Trims

MECHANICAL CRCODE101

Features

- Heavy Duty
- Designed for 7700 and 9800 Series
- Single code (up to 8000 code combinations)
- Weather-resistant finish
- Code can be changed anytime without dismounting
- Full size, non-handed lever handle
- Easy Installation
- Reversible Handing

ELECTRONIC CRCODE007

Features

- Dual mode for code free entry either mechanically by key or electronically thru the keypad
- Designed for 7700 and 9800 Series
- Can store up to 90 different numeric user codes in 4, 5 or 6 digits
- Settings remain in memory when batteries are removed
- Audible alarm sounds after 3 incorrect attempts
- Connections available for remote release switch and automatic lock activation when linked to fire alarm system
- Can be used as STOREROOM or CLASSROOM function
- Factory default set as STOREROOM function
- Fast and easy programming via master code

CR4000 TRILOGY® KEYLESS EXIT TRIM

Features

- Clutch mechanism insures long life and durability
- Fingertip and/or Windows Programmable
- 2000 User Codes: Master, manager, supervisor and users
- Real Time Clock for up to 40,000 Event Time/Date-Stamped Audit Trail
- Up to 500 Lock/Unlock Schedules (with Time Zone Support)
- Rugged 12-Button Metal Keypad
- Non-Handed; Fully Field Reversible
- Adaptable to most major manufacturers of standard RIM and IC RIM Cylinders
- Battery operated; uses 5 AA batteries
- Optional Interchangeable Core available with Best, Falcon, Arrow Small Format and Schlage Full Size Format IC Cores

MECHANICAL CRCODE204

Features

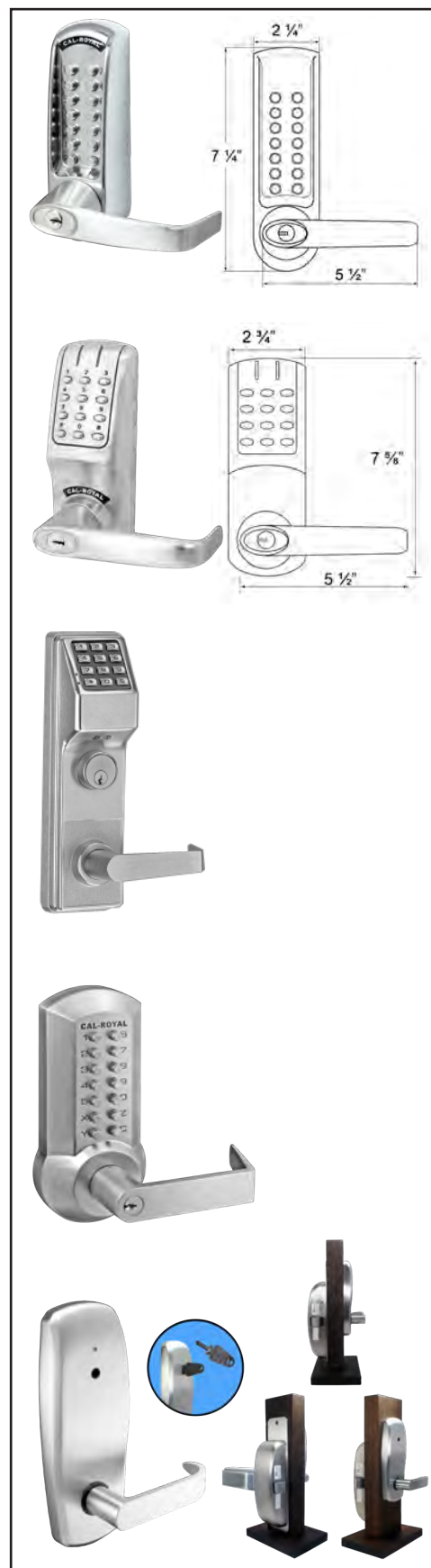
- Breakaway Lever Design
- Easy On-Door Code Change
- Weather Resistant
- Code-Free Option (Passage)
- Non-Handed
- 1 - 12 digit Length Code
- Thousands of Possible Code Combinations
- Single Code User
- Applications: Offices, Schools, Hospitals, Apartments, Hotels/Motels, Residential, Commercial and Public Buildings
- Door Thickness: 1 3/4" - 2"

NEW ITEM

KABA® - Cal-Royal Combination

Cal-Royal's Exit hardware devices combined with Kaba InSync CP provide a variety of alternatives when addressing community access control. Recommended for applications such as controlling building entry openings, common area rooms and doors with exit devices. InSync CP are available as stand-alone battery operated door locks designed to work in conjunction with Cal-Royal's Exit Hardware Devices.

KABA InSync CP is not sold through CAL ROYAL. For inquiries and information on InSync line of products please visit www.kabamultihousing.com



Power Supplies for Electrified Exit Devices



The CRPS1N is a heavy duty, high quality, low cost solution for powering a single latch retracting exit device. The solid-state design insures years of trouble-free operation. The power supply delivers raw, unregulated DC current which is ideal for the extreme in-rush requirement of most motor driven electric latch retracting exit devices. The power supply comes housed in a sturdy, yet compact metal enclosure.

CRPS1N



Features:

- Power supply delivers the necessary high current in-rush for a single exit device
- Solid-state design eliminates problems associated with mechanical relays
- Single input/output
- No hassle 2-year warranty



Specifications:

- Input voltage – 120 VAC
- Output voltage – 24 VDC unregulated @ 1A
- Temperature range – 0 to 120°F
- 1 Solid-State input/output (input triggered by dry contact)
- LEDs – RED = Power indicator
- GREEN = Channel on
- Enclosure dimensions: 10" x 10" x 4"

The CRPS2 Series power supplies are high quality, cost effective solution for powering two electric latch-retracting exit devices. These power supplies provide the necessary surge current that most latch-retracting exit devices require. The CRPS2 Series offers features found on power supplies costing much more; and the solid-state design and careful attention to detail make the CRPS2 Series ideal choice for the discerning user who requires a power supply that can offer years of trouble-free operation.

CRPS2 CRPS2BB



Features:

- Delivers the necessary in-rush current to power two latch pullback exit devices.
- Two independent inputs/outputs
- Solid-state design eliminates Mechanical problems associated with relays
- Thermal overload sensing reduces risk of failure due to overheating
- Fire alarm disconnect link
- Inputs triggered by dry contact
- Intelligent short circuit detection detects shorts much faster than fuses and isolates the short to the individual output
- Removable Euro-style terminal blocks allow for easy installation
- UL Pending at time of print
- No hassle 2-year warranty

Additional Features (CRPS2BB Only):

- Efficient battery backup/charging circuitry with zero voltage drop at power loss
- Solid state reverse polarity protection for battery connections
- Audible alert when sensing AC power failure & low battery (batteries not included)
- Output Voltage – 24 VDC unregulated @ 2.3A
- Enclosure dimensions: 12.5" x 15" x 4"

Specifications:

- Input Voltage – 120 VAC
 - Output Voltage – 24 VDC unregulated @ 2A**
 - Temperature Range – 0° to 120°F
 - 1 Solid-State input/output (input triggered by dry contact)
 - LEDs – RED = Power indicator
 - GREEN = Channel on
 - Enclosure dimensions: 10" x 10" x 4" **
- **CRPS2 only**

The CRSW3 power supply is a low cost, regulated switching power supply. It is designed specifically to supply power to low current DC devices such as mortise locks, cylindrical locks and electric strikes. The CRSW3 supplies 2.4A @ 27VDC and provides (3) non-fused outputs. The CRSW3 comes housed in a 10" x 10" x 4" sturdy metal enclosure.



CRSW3

Features:

- Adjustable output voltage (22-27V under load)
- No hassle 2-year warranty

Specifications:

- Input voltage – 110 or 240VAC
- Output voltage – 2.4A @ 27VDC
- (3) Non-fused outputs
- Enclosure dimensions : 10" x 10" x 4"

CRPS202/202B linear design makes it a perfect match for electric locks, motor driven exit devices, electric strikes, and mag locks.

CRPS202 CRPS202B



Features:

- Built to run up to 2 locks, exit trim and LP Motor Kits
- Interruption-free battery back-up
- Door mounted LED Power Indicator
- Over-voltage protection
- Regulated, independent battery charging
- Fire alarm link
- No hassle 2-year warranty

Specifications:

- Input voltage – 120 VAC, 60 Hz
- Input Fuse: 2 Amp Fuse @ 250VAC
- Output voltage – 2A @ 24VDC
- Temperature range: 0 to 49° C; 32 to 120° F
- Maximum humidity: 85%

The CRPS5 power supply is a regulated, linear power supply rated at 5 Amps @ 24VDC. Its state-of-the-art, solid-state design offers a flexible and cost effective solution to powering and controlling low current DC locking devices. It is available in 4, 6, and 8 I/O models.

CRPS5 (5 Amps, 1 I/O)

OPTIONS:

- CRPS5-4 (1.25 Amps, 4 I/O)
- CRPS5-6 (0.83 Amps, 6 I/O)
- CRPS5-8 (0.625 Amps, 8 I/O)



Features:

- Adjustable output voltage from 24-27VDC
- Independent, Battery backup charging circuit at 27.6V with Solid-state design and very low voltage loss
- No hassle 2-year warranty

Specifications:

- Input voltage - 110 VAC
- Output voltage - 24VDC @ 5A continuous current
- Up to (8) Solid-state inputs (specify dry contact or voltage trigger)
- Up to (8) Solid-state outputs
- Thermal auto-resettable fuses



MCVR9800 & FMCVR9800 Series

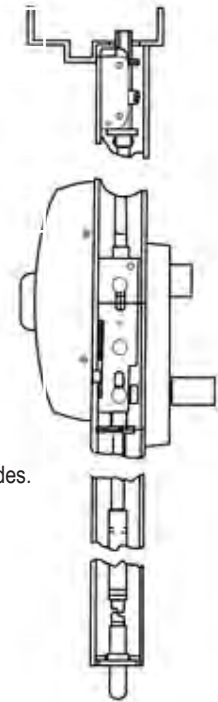
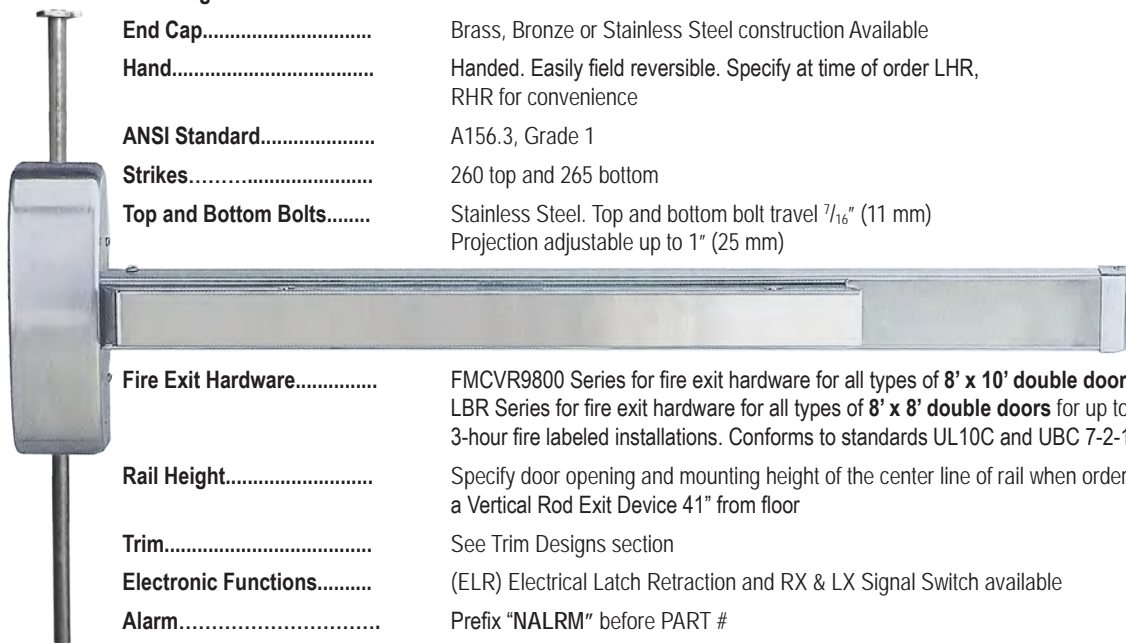
Optional Less Bottom Rod (LBR)

GRADE 1, Concealed Vertical Rod Exit Device for Metal Doors



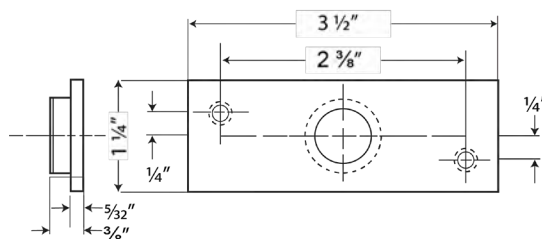
Specifications

LBR (Optional)	No Bottom Strike. Free access for wheel chairs, stretchers and carts which eliminates tripping potential and disfiguration of floors due to dragging of bottom bolts.
For Doors	Metal. 1 3/4" (44.5 mm) minimum thickness 4 1/2" (114 mm) minimum stile width
Top Chassis	Steel
Chassis Cover	Stainless Steel or Non-ferrous plated material
Mounting	Furnished standard with machine screws
End Cap	Brass, Bronze or Stainless Steel construction Available
Hand	Handed. Easily field reversible. Specify at time of order LHR, RHR for convenience
ANSI Standard	A156.3, Grade 1
Strikes	260 top and 265 bottom
Top and Bottom Bolts	Stainless Steel. Top and bottom bolt travel 7/16" (11 mm) Projection adjustable up to 1" (25 mm)



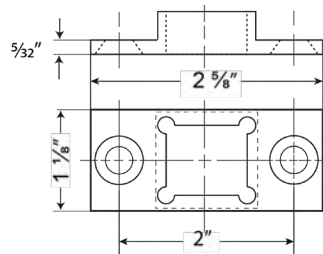
Fire Exit Hardware	FMCVR9800 Series for fire exit hardware for all types of 8' x 10' double doors , LBR Series for fire exit hardware for all types of 8' x 8' double doors for up to 3-hour fire labeled installations. Conforms to standards UL10C and UBC 7-2-1997 codes.
Rail Height	Specify door opening and mounting height of the center line of rail when ordering a Vertical Rod Exit Device 41" from floor
Trim	See Trim Designs section
Electronic Functions	(ELR) Electrical Latch Retraction and RX & LX Signal Switch available
Alarm	Prefix "NALRM" before PART #
Dogging Feature	Cylinder dogging available for non-rated applications

MODEL	ACTUAL LENGTH	MAX CUT DOWN	DOOR SIZE
M98CVR3684, FM98CVR3684, M98CVR3696, FM98CVR3696, M98CVR36120, FM98CVR36120	32"	6"	30" to 36" door width
M98CVR4896, FM98CVR4896, M98CVR48120, FM98CVR48120	44"	12"	36" to 48" door width



260 TOP STRIKE

- For applications metal frames
- Stainless Steel



265 BOTTOM STRIKE

- Furnished with expansion shields
- Mortised into floor
- Stainless Steel

WCVR9800 & FWCVR9800 Series

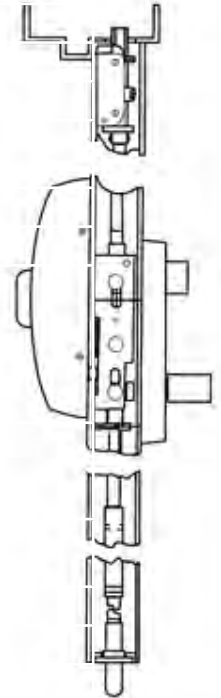
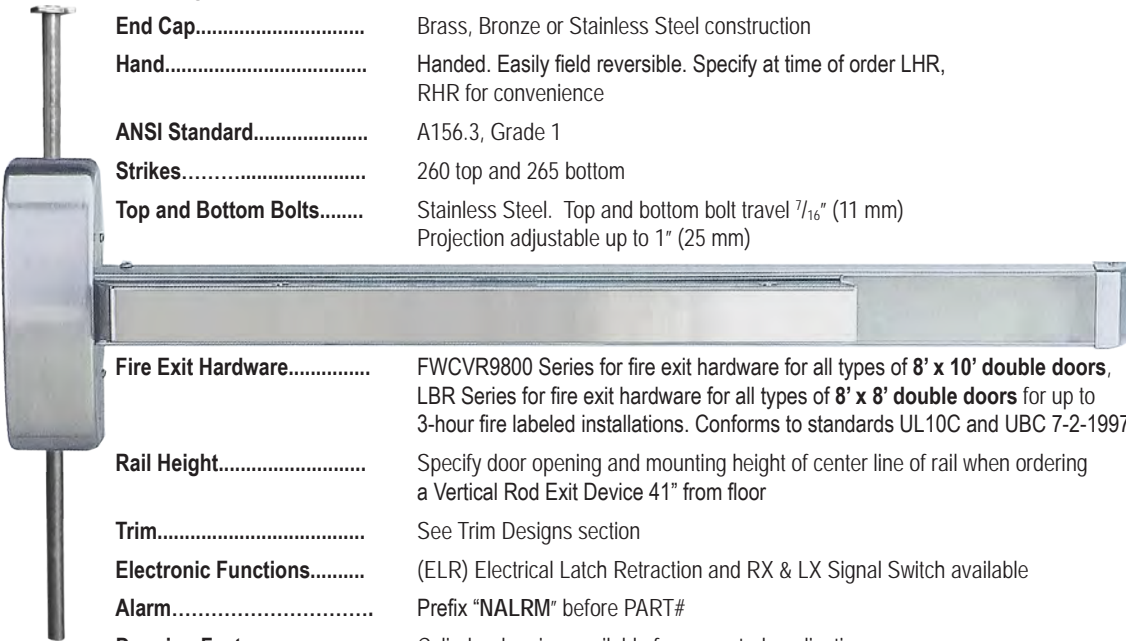
Optional Less Bottom Rod (LBR)

GRADE 1, Concealed Vertical Rod Exit Device for Wood Doors

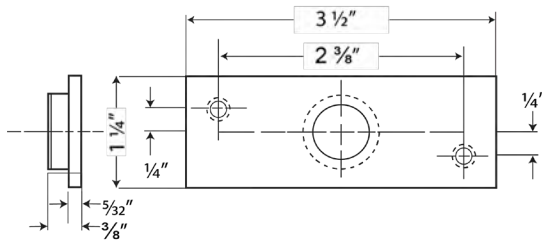


Specifications

LBR (Optional)	No Bottom Strike. Free access for wheel chairs, stretchers and carts which eliminates tripping potential and disfiguration of floors due to dragging of bottom bolts.
For Doors	Wood. 1 3/4" (44.5 mm) minimum thickness 4 1/2" (114 mm) minimum stile width
Top Chassis	Steel
Chassis Cover	Stainless Steel or Non-ferrous plated material
Mounting	Furnished standard with machine screws
End Cap	Brass, Bronze or Stainless Steel construction
Hand	Handed. Easily field reversible. Specify at time of order LHR, RHR for convenience
ANSI Standard	A156.3, Grade 1
Strikes	260 top and 265 bottom
Top and Bottom Bolts	Stainless Steel. Top and bottom bolt travel 7/16" (11 mm) Projection adjustable up to 1" (25 mm)
Fire Exit Hardware	FWCVR9800 Series for fire exit hardware for all types of 8' x 10' double doors, LBR Series for fire exit hardware for all types of 8' x 8' double doors for up to 3-hour fire labeled installations. Conforms to standards UL10C and UBC 7-2-1997 codes.
Rail Height	Specify door opening and mounting height of center line of rail when ordering a Vertical Rod Exit Device 41" from floor
Trim	See Trim Designs section
Electronic Functions	(ELR) Electrical Latch Retraction and RX & LX Signal Switch available
Alarm	Prefix "NALRM" before PART#
Dogging Feature	Cylinder dogging available for non-rated applications

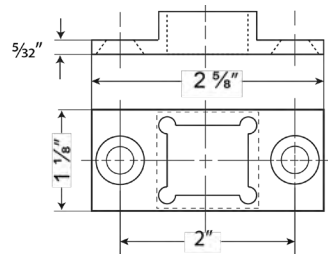


MODEL	ACTUAL LENGTH	MAX CUT DOWN	DOOR SIZE
W98CVR3684, FW98CVR3684, W98CVR3696, FW98CVR3696, W98CVR36120, FW98CVR36120	32"	6"	30" to 36" door width
W98CVR4896, FW98CVR4896, W98CVR48120, FW98CVR48120	44"	12"	36" to 48" door width



260 TOP STRIKE

- For applications metal frames
- Stainless Steel



265 BOTTOM STRIKE

- Furnished with expansion shields
- Mortised into floor
- Stainless Steel

MCVR9800, FMCVR9800, WCVR9800 & FWCVR9800

Concealed Vertical Rod Exit Devices For Wood and Metal Doors



Trim Selection

ESCUTCHEON LEVER DESIGN

CONSTRUCTION

- Free-wheeling clutch mechanism
- Grade 1, thru-bolted design
- Non-handed design. Easily field reversible.

FINISHES

Architectural plated finishes

DOOR THICKNESS

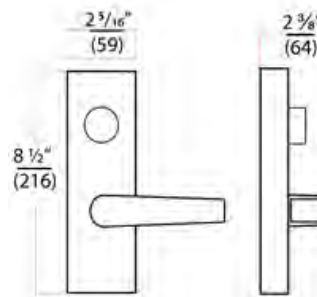
Standard 1 3/4"

ESCUTCHEON DIMENSIONS

2 5/16" width X 8 1/2" length. Lever length: 4 3/4".
Fits and covers 2 1/8" 161 cutout



CVRESC



Lever Trim Designs



RLCVRESC



ATCVRESC



TUBCVRESC

- CVRESC00 or
- ICCVRESC00 or
- ICSCCVRESC00

ENTRANCE

Clutch Entrance, key locks or unlocks escutcheon trim
ANSI FUNCTION (63) Operates as classroom function

- CVRESC05 or
- ICCVRESC05 or
- ICSCCVRESC05

STOREROOM

Clutch Storeroom, key unlocks lever, lever retracts
latch bolt, otherwise always locked, ANSI FUNCTION (04)

CVRESC30

PASSAGE

Trim always operable and free, ANSI Function (62)

CVRESC40

DUMMY

Dummy Escutcheon trim, ANSI FUNCTION (10)

KEYWAY: 6-Pin solid brass "C" keyway Mortise Cylinder standard. Optional: Schlage E, Schlage C-K, Russwin D1-2-3-4, Corbin 59/60, Sargent LA-LB-LC, Falcon/Weiser E, Arrow A, Yale 8, Yale GA and Kwikset. Can also accept Medeco, Assa, Kaba and **Cal-Royal HSK** High Security Cylinders.

• **(IC) INTERCHANGEABLE CORE:** Interchangeable Core locks will accept compatible 6 or 7-Pin cores with BEST, FALCON and ARROW

• **(ICSC) INTERCHANGEABLE CORE:** Indicates function available with **Schlage Full Size Format** Interchangeable Core. Corbin, Sargent and Yale formats also available.

**FOR ELECTRIFICATION OPTION:
SPECIFY ITEM# UPON ORDERING
FOR ENTRANCE, STOREROOM, AND
PASSAGE ESCUTCHEON LEVER TRIMS**

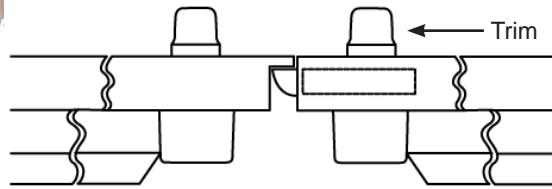
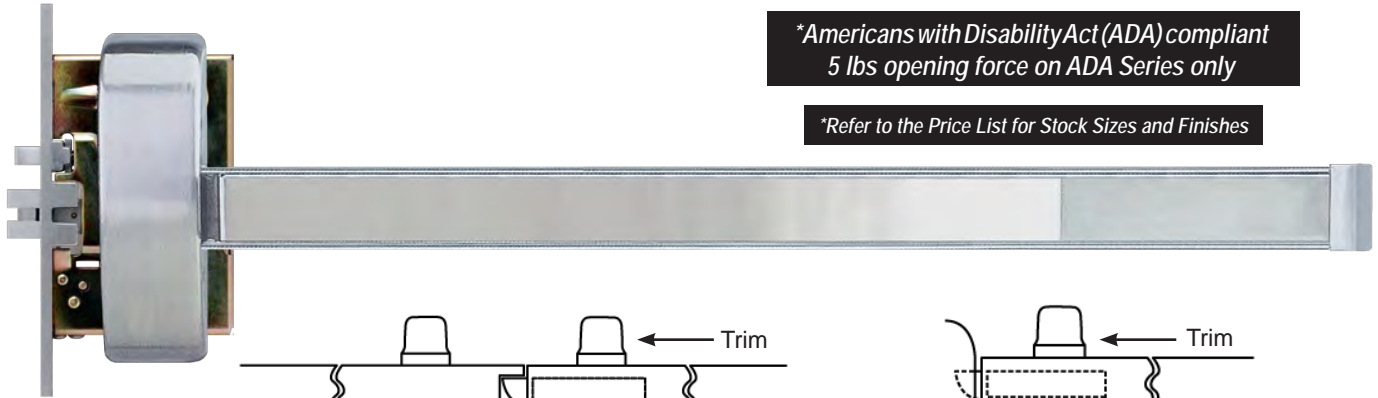
ITEM#	DESCRIPTION
FS12CVR	FAIL-SAFE (FS) OPTION 12V AC/DC
FS24CVR	FAIL-SAFE (FS) OPTION 24V AC/DC
FSE12CVR	FAIL-SECURE (FSE) OPTION 12V AC/DC
FSE24CVR	FAIL-SECURE (FSE) OPTION 24V AC/DC

MR9800 & FMR9800 Series AMR9800 & AFMR9800 ADA Series GRADE 1, Mortise Lock Exit Device

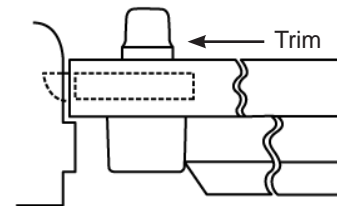


**Americans with Disability Act (ADA) compliant
5 lbs opening force on ADA Series only*

**Refer to the Price List for Stock Sizes and Finishes*



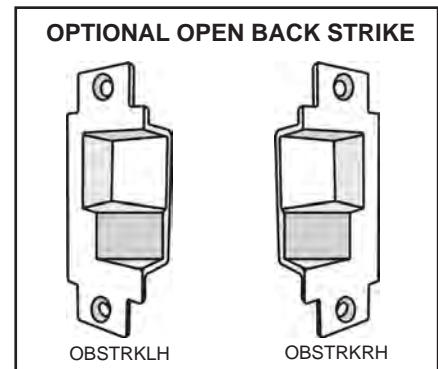
Pair of Doors



Single Doors

Specifications

For Doors	Wood / Metal 1 3/4" (44.5 mm) minimum thickness 4 1/2" (114 mm) minimum stile width
ADA Series	Prefix "A" before the MODEL #
Chassis	Non-ferrous Alloy (Panic Grade), Steel (Fire Grade)
Chassis Cover	Non-ferrous plated material
Mounting	Furnished standard with wood and machine screws
End Cap	Brass, Bronze or Stainless Steel construction
Handing	Handed. Non-Reversible. Specify RHR or LHR
ANSI Standard	A156.3, Grade 1
Strikes	Standard ANSI strike
Fire Exit Hardware	FMR9800 Series for fire exit hardware for all types of 8' x 8' double doors for up to 3-hour fire labeled installations. Conforms to standards UL10C and UBC 7-2-1997 codes
Mortise Lock	Grade (1) for 1 3/4" (44.5 mm) thick doors. Handed (Non-reversible). Specify RHR or LHR. Fits door prepared for ANSI Standard A115.1
Trim	See Trim Designs section
Electronic Functions	(ELR) Electrical Latch Retraction and RX & LX Signal Switch available
Alarm	Prefix "NALRM" before PART #
Dogging Feature	Cylinder dogging available for non-fire rated applications



MODEL SIZE	ACTUAL LENGTH	MAX CUT DOWN	DOOR SIZE
MR9800EO36, FMR9800EO36 MR9805EO36, FMR9805EO36	32"	6"	30" to 36" door width
MR9800EO48, FMR9800EO48 MR9805EO48, FMR9805EO48	44"	12"	36" to 48" door width

**Add prefix "A" before MODEL # for ADA Exit Devices.*

MR9800 & FMR9800 Series GRADE 1 Mortise Lock Exit Device



Trim Selection

Escutcheon Lever Design

FINISHES

Architectural plated finishes

DOOR THICKNESS

Standard 1 3/4"

ESCUTCHEON DIMENSIONS

2" width X 8 1/2" length. Lever length: 4 3/4".



Also available
in TS Trim

**MRESC-00 or
MRESC00TS or**

- **ICMRESC-00 or**
- **ICSCMRESC-00**
- **ICMRESC-00TS**

ENTRANCE

Key locks or unlocks lever
Operates as classroom function
ANSI FUNCTION (63)

**IMPORTANT: MR9800 and FMR9800 Mortise
Lock case comes standard with exit device.
(TRIMS SOLD SEPARATELY)**

**MRESC-05 or
MRESC05TS or**

- **ICMRESC-05 or**
- **ICSCMRESC-05 or**
- **ICMRESC-05TS**

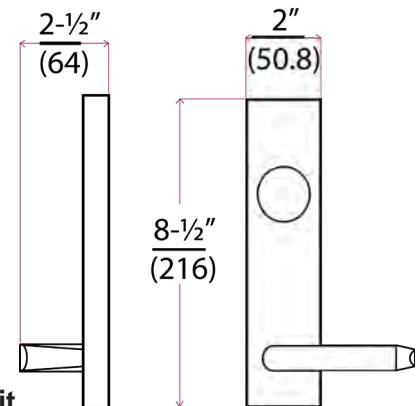
STOREROOM

Key retracts latch bolt, otherwise always locked
ANSI FUNCTION (04)
*MUST USE MR98005EO36/48 Mortise Rim Exit

**MRESC-30
MRESC30TS**

PASSAGE

Trim always operable and free
ANSI FUNCTION (62)
*MUST USE MR98005EO36/48 Mortise Rim Exit



KEYWAY: 6-Pin solid brass "C" keyway Mortise Cylinder standard. Optional: Schlage E, Schlage C-K, Russwin D1-2-3-4, Corbin 59/60, Sargent LA-LB-LC, Falcon/Weiser E, Arrow A, Yale 8, Yale GA and Kwikset. Can also accept Medeco, Assa, Kaba and **Cal-Royal HSK** High Security Cylinders.

• **(IC) INTERCHANGEABLE CORE:** Interchangeable Core locks will accept compatible 6 or 7-Pin cores with BEST, FALCON and ARROW

• **(ICSC) INTERCHANGEABLE CORE:** Indicates function available with **Schlage Full Size Format** Interchangeable Core. Corbin, Sargent and Yale format also available.

**MORTISE LOCK CASE ELECTRIFICATION OPTION:
SPECIFY ITEM# UPON ORDERING**

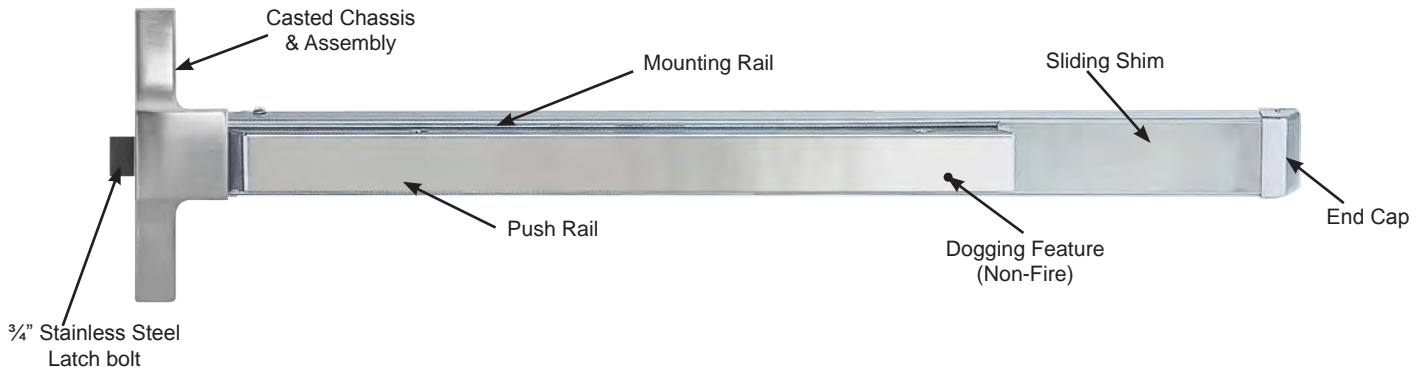
(MORTISE LOCK CASE COMES STANDARD WITH EXIT DEVICE)

ITEM#	DESCRIPTION
FS12MR	FAIL-SAFE (FS) OPTION 12V AC/DC
FS24MR	FAIL-SAFE (FS) OPTION 24V AC/DC
FSE12MR	FAIL-SECURE (FSE) OPTION 12V AC/DC
FSE24MR	FAIL-SECURE (FSE) OPTION 24V AC/DC

*Must be used with MRESC-00 Trim.

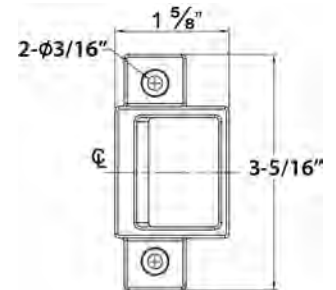
GLS9800 Series

GRADE 1, Rim Type Narrow Stile Exit Device

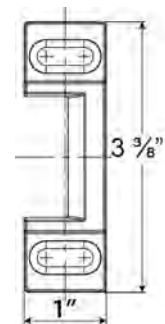


Specifications

For Doors.....	Wood, Metal or Aluminum Glass doors with 1 3/4" minimum stile width, 1 3/4" thickness for single or double door application
Chassis.....	Non-ferrous Alloy (Panic Grade)
Cover.....	Non-ferrous plated material.
Mounting.....	Furnished with wood and machine screws. Thru-bolts available upon request.
End Cap.....	Brass, Bronze or Stainless Steel construction
Alarm.....	Available for 36" bar only. Prefix "NALRM" before PART #
Hand.....	Non-handed
Latch Bolt.....	Stainless Steel 3/4" throw
Spring.....	Stainless Steel throughout
ANSI Standard.....	A156.3, Grade 1
Rail Assembly.....	Heavy gauge extruded aluminum body with Stainless Steel push pad
Strike.....	246 packed standard. Optional 247 strike. (See strike page)
Dogging Feature.....	Allen-type key furnished standard
Mullion.....	Available
UL and ULC Listed.....	GLS9800 Series for Panic & Safety for all types of 4' x 8' single doors and 8' x 8' double doors
Finish.....	Architectural plated finishes
Electronic Functions.....	(ELR) Electrical Latch Retraction and RX & LX Signal Switch available



246 STRIKE



247 STRIKE (OPTIONAL)

DIMENSIONS

Push Rail height to finished floor	41" (1041 mm) at center		
Push Rail projection			
Neutral	2 3/4" (70 mm)		
Depressed	1 7/8" (48 mm)		
Center case	8 1/16" x 1 1/8" x 2" (205 mm x 29 mm x 51 mm)		
MODEL	ACTUAL LENGTH	MAX CUT DOWN	DOOR SIZE
GLS9800EO36	34 17/32"	10"	30" to 36" width
GLS9800EO48	46 11/32"	12"	36" to 48" width

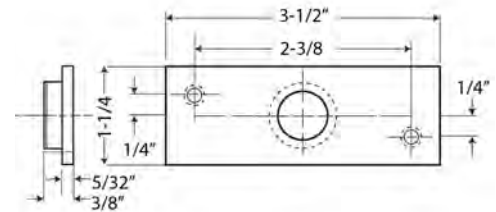
GLSCVR9800 & FGLSCVR9800 Series

GRADE 1 Concealed Vertical Type, Narrow Stile Exit Device
Optional Less Bottom Rod (LBR)

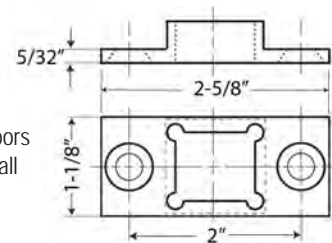


Specifications

For Doors.....	Metal or Aluminum Glass doors with 1 3/4" minimum stile width, 1 3/4" thickness for single or double door application
Top Chassis.....	Non-ferrous Alloy (Panic Grade)
Cover.....	Non-ferrous plated material
Mounting.....	Furnished with wood and machine screws
End Cap.....	Brass, Bronze or Stainless Steel construction
Hand.....	Handed. Specify RHR or LHR
Top and Bottom Bolts.....	Stainless Steel. Top and bottom bolt travel 7/16" (11 mm) Stainless Steel adjustable to 1" (25 mm)
Spring.....	Stainless Steel throughout
ANSI Standard.....	A156.3, Grade 1
Rail Assembly.....	Heavy gauge extruded aluminum body with Stainless Steel push pad
Strike.....	260 Top and 265 Bottom strikes packed standard (See strike page)
Dogging Feature.....	Allen-type key furnished standard
Mullion.....	Available
UL and ULC Listed.....	GLSCVR9800 Series for Panic & Safety for all types of 4' x 8' single doors and 8' x 8' double doors for Panic & Safety. FGLSCVR9800 Series for all types 6' x 7' pair of doors for up to 3 hour fire labelled installations. Conforms to standards UL10C and UBC-7-2-1997
Finish.....	Architectural plated finishes
Electronic Functions.....	(ELR) Electrical Latch Retraction and RX & LX Signal Switch available



260 TOP STRIKE



265 BOTTOM STRIKE

DIMENSIONS

Push Rail height to finished floor	41" (1041 mm) at center
Push Rail projection	
Neutral	2 3/4" (70 mm)
Depressed	1 7/8" (48 mm)

Center case 8 1/16" x 1 1/8" x 2" (205 mm x 29 mm x 51 mm)

MODEL	ACTUAL LENGTH	MAX CUT DOWN	DOOR SIZE
GLSCVR983684, FGLSCVR983684	34 17/32"	6"	30" to 36" width
GLSCVR984884	46 11/32"	18"	30" to 48" width

Trim Selection

ESCUTCHEON LEVER DESIGN

CONSTRUCTION

- Free-wheeling clutch mechanism.
- Grade 1, thru-bolted design. Reversible design
- Hardened steel heavy duty tailpiece. Available for rim and concealed vertical rod exit devices
- Standard 6-Pin Schlage "C" Mortise Cylinder included

DOOR THICKNESS

Standard 1 3/4"

ESCUTCHEON DIMENSIONS

1-13/16" width X 8" length

Lever length: 5"



IMPORTANT: GLS7700 and GLSCVR7700 Trims are interchangeable with GLS9800 and GLSCVR9800 Trims

ELECTRIFICATION NOT AVAILABLE FOR TRIM.
Electrical Latch Retraction (ELR), Request to Exit (RX) and Latchbolt Monitoring (LX) available for Exit Device only.

GLSRIM9800

GLSCVR9800

Ⓢ ICGLSRIM9800

Ⓢ ICSCGLSRIM9800

Ⓢ ICGLSCVR9800

Ⓢ ICSCGLSCVR9800

ENTRANCE

Clutch free-wheeling Entrance, key locks or unlocks escutcheon trim ANSI FUNCTION (63) Operates as classroom function

CVR is used for Concealed Vertical Rod Exit Device
RIM is used for Rim Type Exit Device

GLSRIM9805

GLSCVR9805

Ⓢ ICGLSRIM9805

Ⓢ ICSCGLSRIM9805

Ⓢ ICGLSCVR9805

Ⓢ ICSCGLSCVR9805

STOREROOM

Clutch free-wheeling Storeroom, key unlocks lever, lever retracts latch bolt, otherwise always locked ANSI FUNCTION (04)

CVR is used for Concealed Vertical Rod Exit Device
RIM is used for Rim Type Exit Device

GLSRIM9830

GLSCVR9830

PASSAGE

Trim always operable and free ANSI FUNCTION (62)

CVR is used for Concealed Vertical Rod Exit Device
RIM is used for Rim Type Exit Device

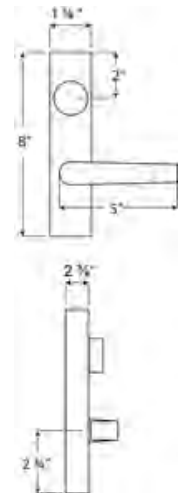
GLSRIM9840

GLSCVR9840

DUMMY

Dummy Escutcheon trim ANSI FUNCTION (10)

CVR is used for Concealed Vertical Rod Exit Device
RIM is used for Rim Type Exit Device



AVAILABLE UPON REQUEST
AT, RL, TUB Lever Design

KEYWAY: 6-Pin solid brass "C" keyway Rim Cylinder standard. Optional: Schlage E, Schlage C-K, Russwin D1-2-3-4, Corbin 59/60, Sargent LA-LB-LC, Falcon/Weiser E, Arrow A, Yale 8, Yale GA and Kwikset. Can also accept Medeco, Assa, Kaba and **Cal-Royal HSK** High Security Cylinders.

Ⓢ(IC) **INTERCHANGEABLE CORE:** Interchangeable Core locks will accept compatible 6 or 7-Pin cores with BEST, FALCON and ARROW

Ⓢ(ICSC) **INTERCHANGEABLE CORE:** Indicates function available with **Schlage Full Size Format** Interchangeable Core. Corbin, Sargent and Yale format also available.

Trim Selection

PULL DESIGN - FOR GLS9800 RIM EXIT DEVICE ONLY



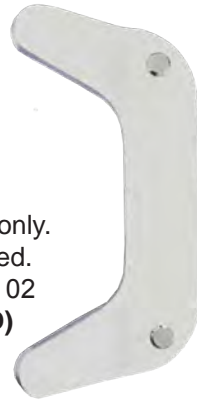
98GLSNL
Ⓜ IC98GLSNL
Ⓜ ICSC98GLSNL

Outside by pull and key.
 Key retracts latch bolt.
 ANSI function – 03
(SPECIFY HANDING)



98GLSUP

Outside by pull only.
 Pull when dogged.
 ANSI function – 02
(NON-HANDED)



GLSRIMEOP

Outside cover plate
 only.
 ANSI function – 10

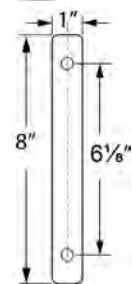
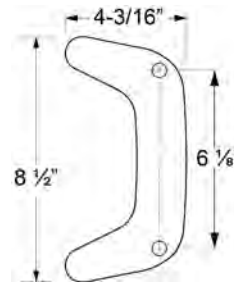
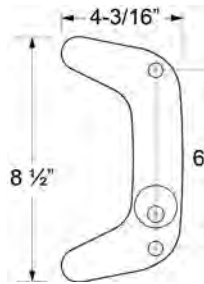


KEYWAY

Standard 6-Pin solid brass "C"
 keyway Rim Cylinder included.

FINISHES

Architectural plated finishes.



IMPORTANT: GLS7700 and GLSCVR7700 Trims are interchangeable with GLS9800 and GLSCVR9800 Trims



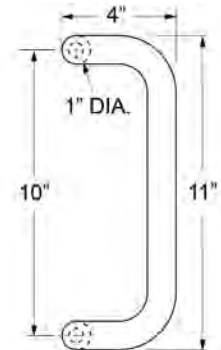
98GLSCYL-1



Ⓜ IC98GLSCYL-1
Ⓜ ICSC98GLSCYL-1



OFSTPUL-10
(REVERSIBLE)



KEYWAY: 6-Pin solid brass "C" keyway Rim Cylinder standard. Optional: Schlage E, Schlage C-K, Russwin D1-2-3-4, Corbin 59/60, Sargent LA-LB-LC, Falcon/Weiser E, Arrow A, Yale 8, Yale GA and Kwikset. Can also accept Medeco, Assa, Kaba and **Cal-Royal HSK** High Security Cylinders.

Ⓜ (IC) INTERCHANGEABLE CORE: Interchangeable Core locks will accept compatible 6 or 7-Pin cores with BEST, FALCON and ARROW

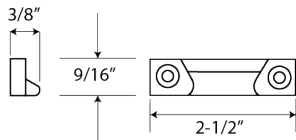
Ⓜ (ICSC) INTERCHANGEABLE CORE: Indicates function available with **Schlage Full Size Format** Interchangeable Core. Corbin, Sargent and Yale format also available.

Strikes & Accessories

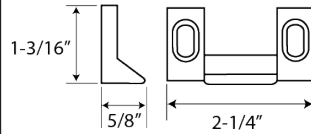


Strikes for use with 9860 vertical rod exit device All strikes are black nylon coated

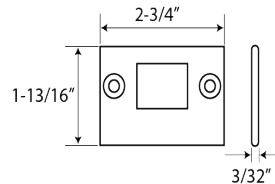
221
Standard for 9860. Applied to surface of floor or to a flat threshold. Standard packaging.



227
Applied to surface of stop. No mortise required. Standard packaging.

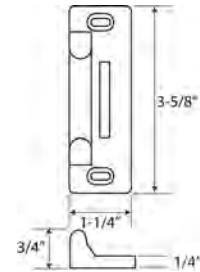


233
Bottom stike. Alternate bottom strike. Flush mounting, stainless steel. Furnished with expansion shields. Requires mortise on the floor.



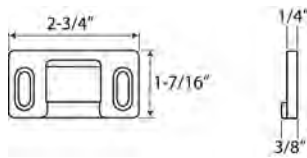
Strikes for use with 9800 rim type exit device

239
For 9800 & F9800 surface applied. Standard packaging.



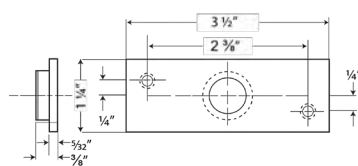
RIM238

Strike for 2 3/8" Backset Application

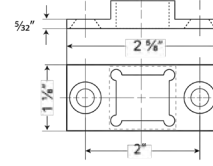


Strikes for FMCVR9800, MCVR9800, WCVR9800, FWCVR9800, GLSCVR9800 fire and non-fire exit device

260 TOP STRIKE

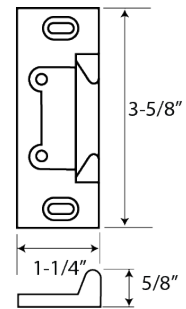


265 BOTTOM STRIKE



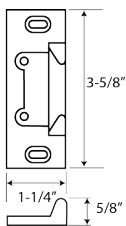
Strike for use with F9800 rim fire exit device

245
For F9800 surface applied. Standard packaging.



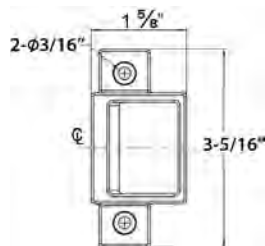
Strikes for use with F9860 vertical rod fire exit device

245
For F9800 surface applied. Standard packaging.

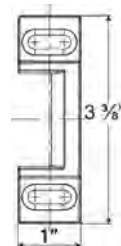


Strikes for use with GLS9800 Narrow Stile Exit Device

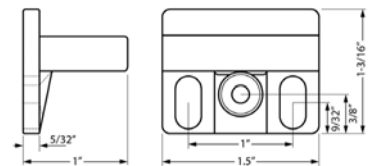
246
Used on frames with blade stop or integral stop. Surfaced applied or mortised. Standard packaging.



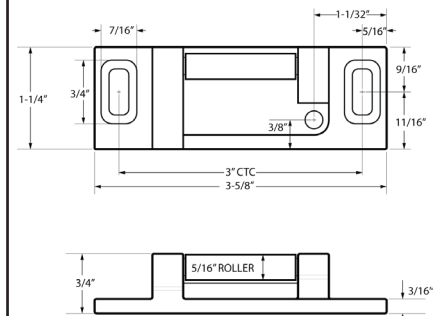
247
Applied to surface of stop. No mortise required.



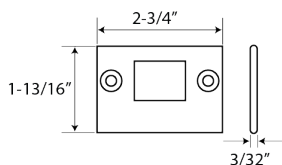
Strike for ADA9800 exit devices



ADA Roller Strike for 2200 and 9800 exit devices

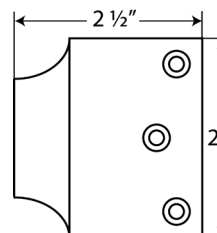


233
Bottom strike for F9860. Flush mounting stainless steel. Furnished with expansion shields. Requires mortise in the floor. Standard packaging



Overlapping Strikes

N251
Surface applied. Used on inactive leaf for device on active leaf of pair of doors without mullion.



Accessories

LFF	
<p>Lock front filler</p>	
SF	
<p>Strike filler</p>	
GLASS BEAD SHIM KITS	
<p>801 – For rim type, 1/8" thick 806 – For vertical type, 1/8" thick 812 – For fire rated type, 1/8" thick</p>	
CYLINDER DOGGING KITS	
<p>TO ORDER: Prefix "CD" before PART #. Available for all 9800 Series devices except fire exit hardware. Cylinder dogging with mortise cylinder is located on the mounting insert lock bolt in retracted position.</p> <p>KIT ONLY: Use PART # 36CD9800 for 36" and 48CD9800 for 48" devices. Specify finish.</p>	<p style="text-align: center;">CYLINDER DOGGING KIT</p> <p> (IC) INTERCHANGEABLE CORE: Interchangeable Core locks will accept compatible 6 or 7-Pin cores with BEST, FALCON and ARROW (ICSC) INTERCHANGEABLE CORE: Indicates function available with Schlage Full Size Format Interchangeable Core. Corbin, Sargent and Yale format also available. </p>

Fire Exit Hardware Selector



FIRE EXIT HARDWARE RATING			UL DOOR RATING
APPLICATION	MODEL #	MAXIMUM DOOR OPENING	(A) 3 HOUR
SINGLE DOORS Rim type	F9800EO36 F9820EO48	4'0" X 8'0"	✓
PAIRS OF DOORS Two surface mounted standard vertical rod type or less bottom rod (LBR) application. Prefix LBR before Part # a) Swinging in same direction b) Swinging in opposite direction (double egress)	F9860V3684 X F9860V3684	8'0" X 7'2"	✓
	F9890V3696 X F9890V3696 F9880V4896 X F9880V4896	8'0" X 8'0"	✓
PAIRS OF DOORS Two rim type with Mullion	F9800EO36 F9820EO48	8'0" X 8'0"	✓

All fire rated exit devices in all applications, are also labeled for (B) 1 ½ hour, (C) ¾ hour, (D) 1 hour, (E) ¾ hour.

All fire exit hardware meet UL10C and UBC 7-2-1997 codes.

Includes ADA Series.

HOW TO ORDER INFORMATION

Exit device model number

Panic grade

9800 EO36 Rim type 36" door
 9820 EO48 Rim type 48" door
 9860 V3684 Vertical rod type 36" x 84"
 9890 V3696 Vertical rod type 36" x 96"
 9880 V4896 Vertical rod type 48" x 96"
 VRRD10 – Rod for 10' non-rated door
 9850 V36120 Vertical rod type 36" x 120"
 9840 V48120 Vertical rod type 48" x 120"

Fire grade

F9800 EO36 Rim type 36" door
 F9820 EO48 Rim type 48" door
 F9860 V3684 Vertical rod type 36" x 84"
 F9890 V3696 Vertical rod type 36" x 96"
 F9880 V4896 Vertical rod type 48" x 96"
 F9850 V36120 Vertical rod type 36" x 120"
 F9840 V48120 Vertical rod type 48" x 120"

- 1) Specify exit device model number according to size of door.
- 2) Specify ADA option if needed.
- 2) Specify trim selection. For interchangeable core prefix "IC" before Part #. See trim selection pages.
- 3) For vertical rod devices specify LHR (Left Hand Reverse) or RHR (Right Hand Reverse) for convenience easily field reversible, otherwise shipped as LHR.
- 4) Specify finish:
US10B, 32D. See Page 33
- 5) On thru-bolt applications, fire rated vertical rod devices are packed with thru-bolts as standard feature. Thru-bolts are also available for other devices. To order thru-bolts add "SBN" to trim pack.

When ordering separately use following Part #

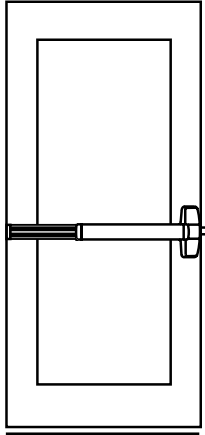
Cal-Royal Part # 357 — Thru-bolts for rim devices, 6 pcs / pack.
 Cal-Royal Part # 369 — Thru-bolts for vertical rod devices, 14 pcs / pack.
 Cal-Royal Part # 363 — Thru-bolts for rim devices, 6 pcs / pack for 2 ¼" thick doors.
 Cal-Royal Part # 375 — Thru-bolts for vertical rod devices, 14 pcs / pack for 2 ¼" thick doors.

Ordering example: 9800E036 ALUM X SBN X ENT00L 26D
 F9880V4896 10B X ICSTR05L 10B

Fire and Non-Fire Exit Devices

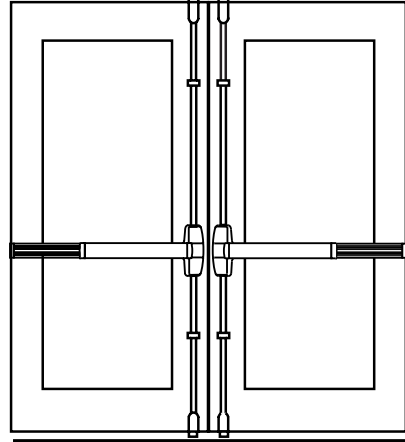
ANSI A156.3 Grade 1 Selector Chart

SINGLE DOOR



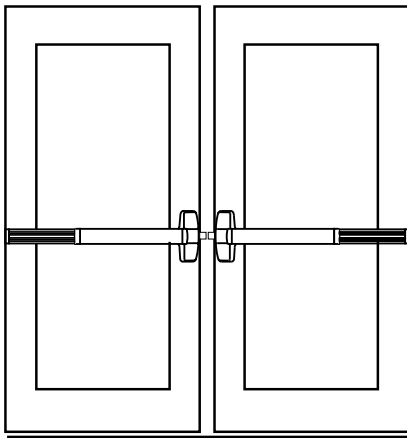
Vertical rod type or Rim type Surface applied 2 point lock. Surface application.

PAIR OF DOORS WITHOUT MULLION



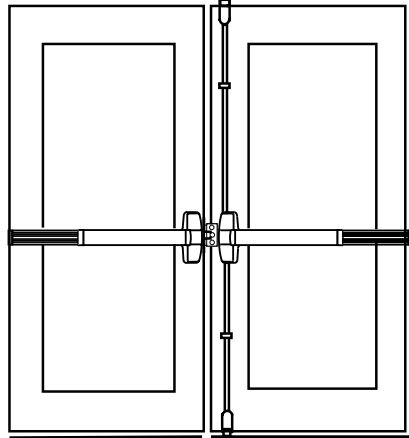
2 Vertical rod type Surface applied 2 point locking both doors. Each door active same direction. Do not use with overlapping astragal.

PAIR OF DOORS WITH MULLION



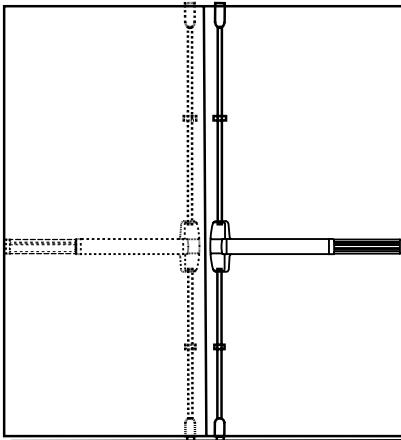
2 Rim type with mullion Two independent active doors with full double door openings when required. Same direction.

PAIR OF DOORS WITHOUT MULLION



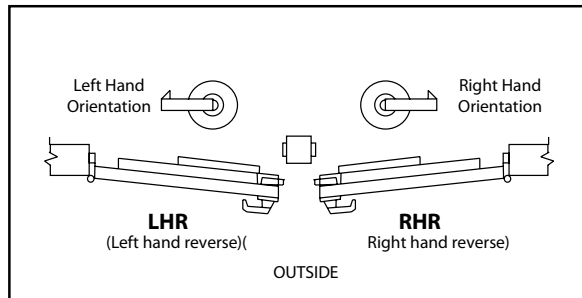
1 Vertical rod and 1 rim type Both devices are surface applied. A coordinator and overlapping strike is recommended.

PAIR OF DOORS WITHOUT MULLION



2 Vertical rod type Double egress surface applied. 2 point locking both doors opposite directions.

HANDING



CAL-ROYAL PRODUCTS, INC.

6605 FLOTILLA ST., COMMERCE, CA 90040 U.S.A.

TEL: (323) 888-6601 FAX: (323) 888-6699

Website: cal-royal.com * Email: sales@cal-royal.com

Exit Devices Comparison Chart



RIM EXIT DEVICE CONVERSIONS	RIM	VERTICAL ROD	RIM	VERTICAL ROD	CONCEALED VERTICAL ROD	MORTISE RIM	NARROW STILE RIM	NARROW STILE CVR
ARROW	S1200	S1100	S3800 / 1800	S3700	S3600	S3900	S4803	S4601
CAL-ROYAL	9800 / 7700	9860 / 7760	2200 / 4400	2260	MCVR9800 / WCVR9800 / MCVR7700 / WCVR7700	MR9800 / MR7700	GLS9800 / GLS7700	GLSCVR9800 / GLSCVR7700
CORBIN/RUSSWIN	ED8200	ED8400	ED5400 / ED6000	ED4750	ED5800	ED5600	ED4200	ED4800
DETEX	V4000	---	10	20	70	30	V40NS	60
DORMA	8300	8400	9300	9400	9100	9500	AD4300	AD4100
PRECISION	5100	5200	2100 / 100	9800 / 200	2800	2300	2400	2600
SARGENT	2828	2727	8800 / 9898	8700	MD8600 / WD8600	8900	AD8500	AD8410
VON DUPRIN	98 / 99	9827 / 9927	98	9827	9947EO	9975EO	33A	3348
YALE	2100	2110	7100 / 1500	7110 / 1510	7120	7130	7250	7220



2200 & F2200 Rim Type Panic And Fire Exit Devices (ADA Optional)

2260 & F2260 Vertical Rod Panic And Fire Exit Devices (ADA Optional) ANSI A156.3, Grade 1



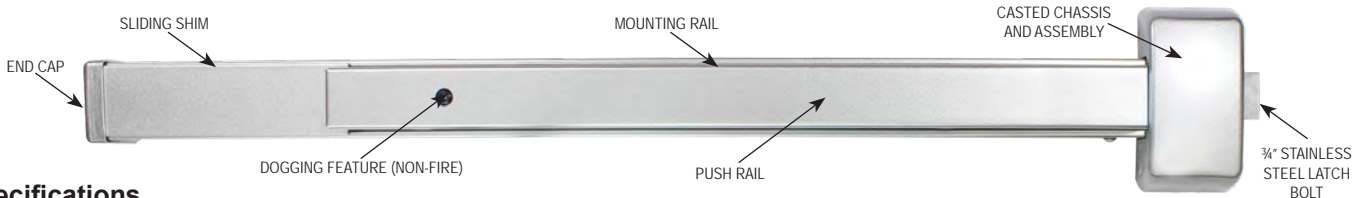
Features & Construction

- ◆ **Retrofits Sargent 12-2828 & 12-2838 Series**
- ◆ Americans with Disability Act (ADA) compliant. 5 lbs opening force on ADA product only
- ◆ ANSI A156.3, Grade 1 heavy duty exit device in surface vertical rod and rim designs
- ◆ UL Listed for Panic and UL10C, UBC 7-2-1997 codes
- ◆ UL Listed for Fire Exit Hardware. 3 Hours
- ◆ Conforms & Meets ADA Regulations (ADA products only)
- ◆ (A) label rating in pairs of doors up to 8'0" x 8'0" swinging in same or opposite directions
- ◆ Uncompromising security and safety in single and double fire exit doors
- ◆ Chassis mounted unit construction
- ◆ Available in many different functions. Lever and escutcheon trims are grade 1 construction with clutch on rose trims. Escutcheon trims are rigid and covers 161 cut out.

Suggested Architect's Specifications

- ◆ All exit devices shall be of touch bar design with smooth operation and be operative over $\frac{2}{3}$ of the door's clear opening width
- ◆ All exit devices must be listed under "Panic Hardware" in the Accident Equipment List of Underwriters' Laboratories, Inc. Where labeled doors are used as exits, they must be equipped with labeled Fire Exit Hardware and UL10C, UBC 7-2-1997 codes
- ◆ All springs shall be of Stainless Steel throughout
- ◆ All exit devices shall be of chassis mounted unit construction.
- ◆ All exit devices shall be ANSI A156.3, Grade 1

2200 & F2200 Series A2200 & AF2200 ADA Series GRADE 1 Rim Type Exit Device



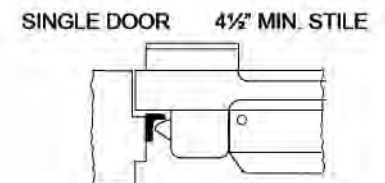
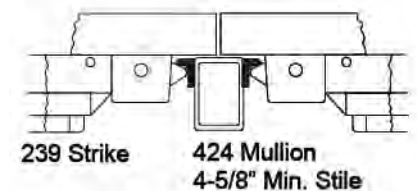
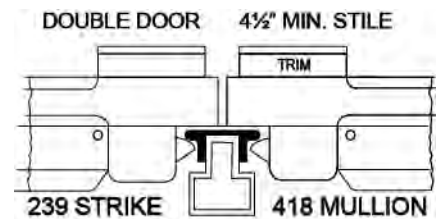
Specifications

For Doors	1 3/4" thick standard optional 2 1/4" thick. 4 1/2" minimum stile width required for single or double door application using standard 239 strike and pull or lever trims
ADA Series	Prefix "A" before the MODEL #
Chassis	Non-ferrous Alloy (Panic Grade), Steel (Fire Grade)
Cover	Non-ferrous Alloy. Covers stock hollow metal doors with 161 cutout
Mounting	Furnished standard with wood and machine screws. Available with thru-bolts on request. Thru-bolts are standard packaging on fire rated devices.
End Cap	Steel construction
Alarm	Available. See page 59
Hand	Non handed, center hub. 2 3/4" backset
Latch Bolt	Stainless Steel 3/4" throw
Spring	Stainless Steel throughout
ANSI Standard	A156.3, Grade 1
Rail Assembly	Heavy gauge steel, painted
Strike	239 packed standard (See strike page)
Dogging Feature	Allen-type key furnished standard on non-fire labeled devices. Cylinder dogging available
Mullion	Available
UL and ULC Listed	2200 Series for panic. F2200 Series for fire exit hardware for all types of 4' x 8' single doors and 8' x 8' double doors for up to 3-hour fire labeled installations. Conforms to standards UL10C and UBC 7-2-1997 codes.
Finish	Aluminum (Alum), Dark Bronze Duranodic (Duro), Gold
Electronic Functions	(ELR) Electrical Latch Retraction and RX & LX Signal Switch available

***Americans with Disability Act (ADA) compliant
5 lbs opening force on ADA Series only**

**Refer to the Price List for Stock Sizes and Finishes*

Minimum Stile Requirements 4" escutcheon trims & 4 1/2" for Thumbpiece and rose trims



DIMENSIONS

Touchbar height to finished floor	41" (1041 mm) at center
Touchbar projection	
Neutral	2 1/2" (64 mm)
Depressed	1 3/4" (45 mm)

MODEL	ACTUAL LENGTH	MAX CUT DOWN	DOOR SIZE
2200EO24 and F2200EO24	20"	2"	22" to 24" door width
2200EO32 and F2200EO32	28"	6"	26" to 32" door width
2200EO36 and F2200EO36	32"	6"	30" to 36" door width
2220EO48 and F2220EO48	44"	12"	36" to 48" door width

***Add prefix "A" before MODEL # for ADA Exit Devices.**

2260V & F2260V Series A2260V & F2260V ADA Series GRADE 1 Vertical Rod Type Exit Device



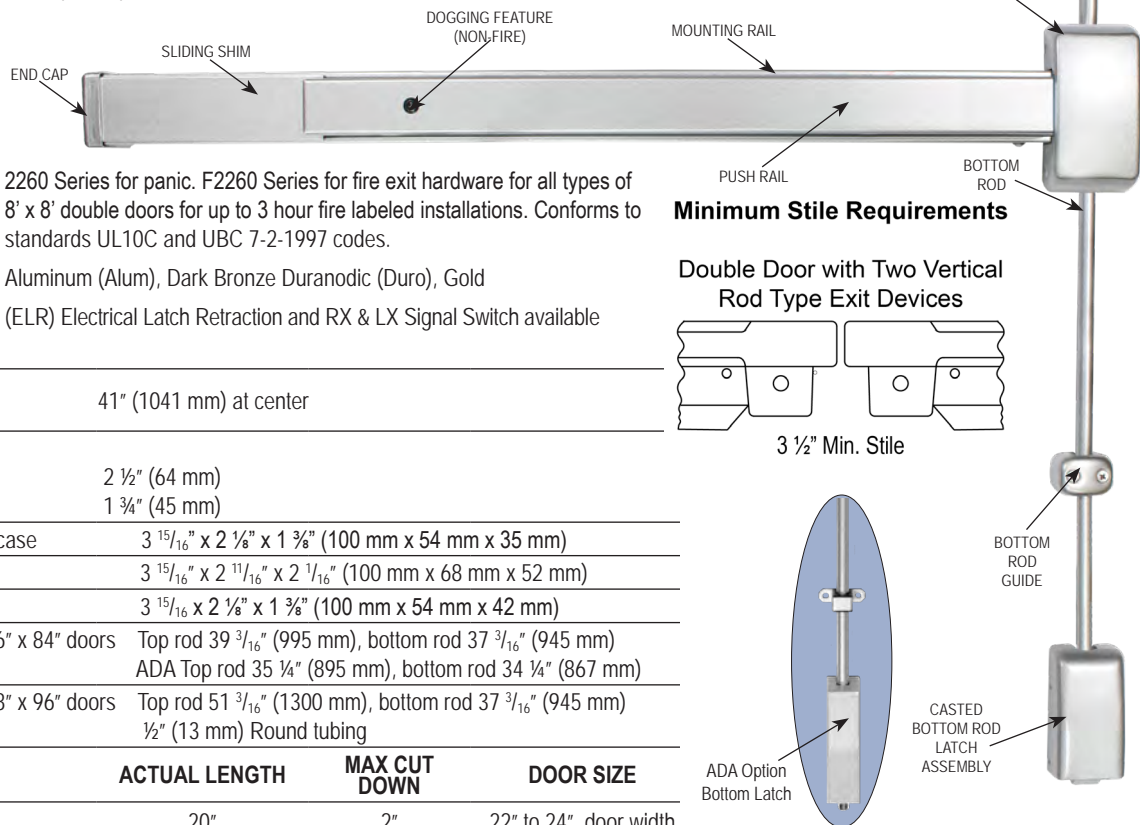
LIFETIME WARRANTY	BHMA CERTIFIED Be Safe. Be Secure. Look for the Mark.	MEETS <i>The Buy American Act</i>		 3 HOUR FIRE RATED UL10C, UBC7-2-1997
--------------------------	---	---	--	---

Specifications

- For Doors.....** 1 3/4" thick standard optional 2 1/4" thick. 3 3/4" minimum stile width required for single door application. 3 1/2" minimum stile width required for double door application. Lever trims available. 2 3/4" backset
- ADA Series.....** Prefix "A" before the MODEL #
- Top & Bottom Chassis.....** Non-ferrous Alloy (Panic Grade), Steel (Fire Grade)
- Cover.....** Non-ferrous plated material. Covers stock hollow metal doors with 161 cut out
- Mounting.....** Furnished standard with wood and machine screws. Thru-bolts are standard packaging on fire rated devices
- End Cap.....** Steel construction
- Alarm.....** Available. Prefix "NALRM" before MODEL #
- Hand.....** Handed. Easily field reversible. Specify at time of order LHR, RHR for convenience
- Latch Bolt & Spring.....** Stainless steel
- ANSI Standard.....** A156.3, Grade 1
- Rail Assembly.....** Heavy gauge steel, painted
- Strike.....** See strike page
- Dogging Feature.....** Allen-type key furnished standard on non-fire labeled devices

**Americans with Disability Act (ADA) compliant
5 lbs opening force on ADA Series only*

**Refer to the Price List for Stock Sizes and Finishes*



UL and ULC Listed..... 2260 Series for panic. F2260 Series for fire exit hardware for all types of 8' x 8' double doors for up to 3 hour fire labeled installations. Conforms to standards UL10C and UBC 7-2-1997 codes.

Finish..... Aluminum (Alum), Dark Bronze Duranodic (Duro), Gold

Electronic Functions..... (ELR) Electrical Latch Retraction and RX & LX Signal Switch available

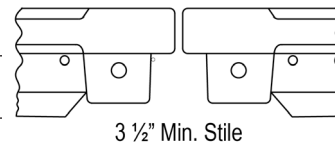
DIMENSIONS

Touchbar height to finished floor	41" (1041 mm) at center
Touchbar projection	
Neutral	2 1/2" (64 mm)
Depressed	1 3/4" (45 mm)
Panic grade top & bottom latch case	3 15/16" x 2 1/8" x 1 3/8" (100 mm x 54 mm x 35 mm)
Fire grade top latch case	3 15/16" x 2 11/16" x 2 1/16" (100 mm x 68 mm x 52 mm)
Fire grade bottom latch case	3 15/16" x 2 1/8" x 1 3/8" (100 mm x 54 mm x 42 mm)
Top and bottom rod length for 36" x 84" doors	Top rod 39 3/16" (995 mm), bottom rod 37 3/16" (945 mm) ADA Top rod 35 1/4" (895 mm), bottom rod 34 1/4" (867 mm)
Top and bottom rod length for 48" x 96" doors	Top rod 51 3/16" (1300 mm), bottom rod 37 3/16" (945 mm)
Vertical Rods	1/2" (13 mm) Round tubing

MODEL	ACTUAL LENGTH	MAX CUT DOWN	DOOR SIZE
2210V2484, F2210V2484	20"	2"	22" to 24" door width
2260V3684, F2260V3684, 2270V3284, F2270V3284, 2290V3696, F2290V3696, 2250V36120	32"	6"	30" to 36" door width
2280V4896, F2280V4896, 2240V48120	44"	12"	36" to 48" door width

Minimum Stile Requirements

Double Door with Two Vertical Rod Type Exit Devices



***Add prefix "A" before MODEL # for ADA Exit Devices.**

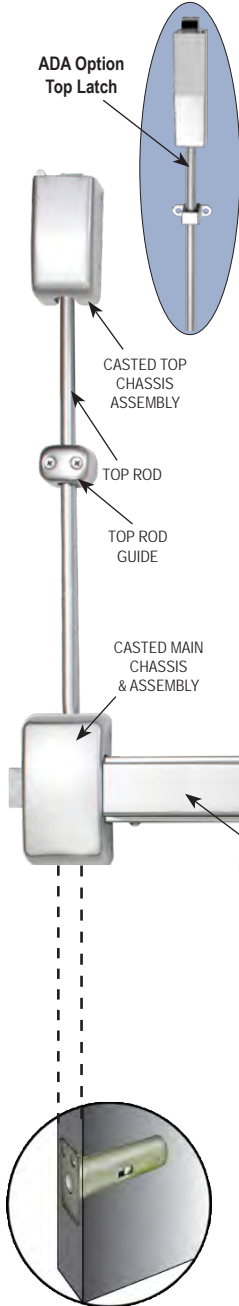
LBR2260V & LBRF2260V Series ALBR2260V & ALBRF2260V ADA Series GRADE 1 Vertical Rod Exit Device Less Bottom Rod



LIFETIME WARRANTY

BHMA CERTIFIED
Be Safe. Be Secure. Look for the Mark.

MEETS
The Buy American Act



Specifications

LBR	No Bottom Strike. Free access for wheel chairs, stretcher and carts therefore eliminates tripping potential and disfiguration of floors due to dragging of bottom bolts
For Doors	1 3/4" thick standard. 3 3/4" minimum stile width required for single door application. 3 1/2" minimum stile width required for double door application. Lever trims available. 2 3/4" backset
Top Chassis	Non-ferrous Alloy (Panic Grade), Steel (Fire Grade)
ADA Series	Prefix "A" before the MODEL #
Cover	Non-ferrous Alloy. Covers stock hollow metal doors with 161 cutout
Mounting	Furnished standard with wood and machine screws. Thru-bolts are standard packaging on fire rated devices
Alarm	Available. Prefix "NALRM" before MODEL #
End Cap	Steel Construction
Hand	Handed. Easily field reversible. Specify at time of order LHR, RHR for convenience
Latch Bolt, Spring	Stainless Steel
Auxiliary Spring Latch	Auxiliary spring loaded latchbolt is installed in the lower edge of the door, when exposed to fire latchbolt releases keeping the door closed and regulated
ANSI Standard	A156.3, Grade 1
Rail Assembly	Heavy gauge steel, painted
Strike	See strike page
Dogging Feature	Allen-type key furnished standard on non-fire labeled devices
Electronic Functions	(ELR) Electrical Latch Retraction and RX & LX Signal Switch available

***Americans with Disability Act (ADA) compliant
5 lbs opening force on ADA Series only**

***Refer to the Price List for Stock Sizes and Finishes**

UL and ULC Listed..... All Series for panic. LBR Series for fire exit hardware for all types of 8' x 8' double doors including double egress for up to 3-hour metal, 1 1/2 hour wood doors fire labeled installations. Conforms to standards UL10C and UBC 7-2-1997 codes

DIMENSIONS

Touchbar height to finished floor	41" (1041 mm) at center
Touchbar projection	
Neutral	2 1/2" (64 mm)
Depressed	1 3/4" (45 mm)
Panic grade top & bottom latch case	3 15/16" x 2 1/8" x 1 3/8" (100 mm x 54 mm x 35 mm)
Fire grade top latch case	3 15/16" x 2 11/16" x 2 1/16" (100 mm x 68 mm x 52 mm)
Fire grade bottom latch case	3 15/16" x 2 1/8" x 1 3/8" (100 mm x 54 mm x 42 mm)
Top and bottom rod length for 36" x 84" doors	Top rod 39 3/16" (995 mm) ADA Top rod 35 1/4" (895 mm), bottom rod 34 1/4" (867 mm)
Top and bottom rod length for 48" x 96" doors	Top rod 51 3/16" (1300 mm)
Vertical Rods	1/2" (13 mm) Round tubing

Auxiliary Fire Latch Assembly Included

MODEL	ACTUAL LENGTH	MAX CUT DOWN	DOOR SIZE
LBR2210V2484, LBRF2210V2484	20"	2"	22" to 24" door width
LBR2270V3284, LBRF2270V3284	28"	6"	26" to 32" door width
LBR2260V3684, LBRF2260V3684, LBR2290V3696, LBRF2290V3696, LBR2250V36120	32"	6"	30" to 36" door width
LBR2280V4896, LBRF2280V4896, LBR2240V48120	44"	12"	36" to 48" door width

***Add prefix "A" before MODEL # for ADA Exit Devices.**

Alarm Exit Hardware



Features

- 1, 3, 5-minute and continuous alarm type settings available
- ON and OFF power switch
- Alarm sound frequency is 120 db
- Alarm unit has an internal horn. When the push rail is depressed, the horn sounds to provide an audible means of signaling that the door has been opened and breached.
- The key switch to turn alarm off is a standard 1 ¼" cylinder with "C" keyway. The alarm operates on one standard 9-volt transistor battery. When battery is weak the horn will emit an intermittent signal.
- Alarmed units are supplied with a micro switch, which monitors the push rail and the latch bolt and outside trim (if available) for foolproof security on rim devices
- Alarm unit has a signal OC output that can be linked to external alarm control systems
- Easy removal of the alarm unit without the need to dismount the exit device for battery maintenance
- Unit includes "EMERGENCY EXIT ONLY ALARM WILL SOUND" decal for application on door or unit

Rim Type Exit Devices

NALRM2200EO36 Alarm rim type 36" door (panic grade)

NALRM222048 Alarm rim type 48" door (panic grade)

FNALRM220036 Alarm rim type 36" door (fire grade)

FNALRM222048 Alarm rim type 48" door (fire grade)

Also available on ADA Series

Vertical Rod Type Exit Devices

Prefix "NALRM" before MODEL #.

Power Supplies

Power supplies for electrified exit devices are available.
See page 65.

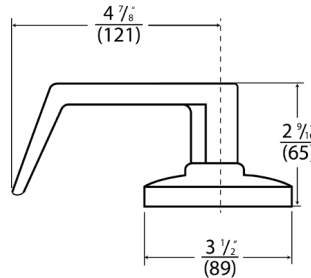
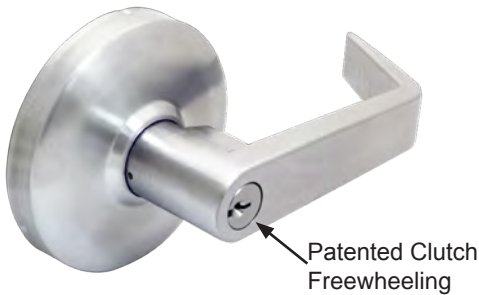
Trim Selection

CLUTCH CYLINDRICAL LEVER

Non-handed Grade 1 (Clutch Style)

Cylindrical body hardened steel heavy duty tailpiece. For 1 3/4" and 2 1/4" doors. Prefix THI before part # for 2 1/4" door thickness. Available for fire and non fire rated rim and vertical rod exit devices. Rose diameter 3 1/2", lever length 4 3/4". Fits and covers 161 cutout.

Finishes: Architectural plated finishes.



- ENT00L or
- ICENT00L or
- ICSCENT00L4
- SARICENT00L (Sargent)
- RUSICENT00L (Corbin / Russwin)
- YALICENT00L (Yale)
- 8000K (Non-Clutch)

- ENTRANCE**
Key locks and unlocks lever. Operates as CLASSROOM FUNCTION. ANSI Function – 08
Ball Knob Keylock

- STR05L or
- ICSTR05L or
- ICSCSTR05L4
- SARICSTR05L (Sargent)
- RUSICSTR05L (Corbin / Russwin)
- YALICSTR05L (Yale)

- STOREROOM**
Key operates lever, otherwise always locked. ANSI Function – 04

PAS30L

- PASSAGE**
Trim always operable and free. ANSI Function – 15

DUM40L

- DUMMY**
Dummy trim. One sided ANSI Function – 10

When ordering "AT" and "SPA" designs, prefix design name before part #. Example: ENT00L in "AT" is **ATENT00L**.

KEYWAY: 6-Pin solid brass "C" keyway standard. Optional: Schlage E, Schlage C-K, Russwin D1-2-3-4, Corbin 59/60, Sargent LA-LB-LC, Falcon/Weiser E, Arrow A, Yale 8, Yale GA and Kwikset. Can also accept Medeco, Assa, Kaba and **Cal-Royal HSK** High Security Cylinders.

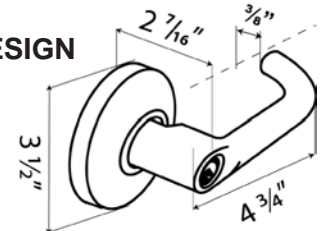
● (IC) **INTERCHANGEABLE CORE:** Interchangeable Core locks will accept compatible 6 or 7-Pin cores with BEST, FALCON and ARROW

● (ICSC) **INTERCHANGEABLE CORE:** Indicates function available with Schlage Full Size Format Interchangeable Core. Corbin, Sargent and Yale format also available.

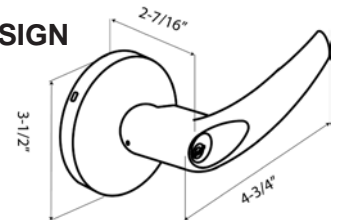
Other Lever Trim Designs



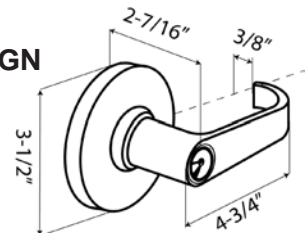
TUB DESIGN



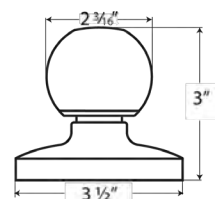
AT DESIGN



SPA DESIGN



8000K



Trim Selection

RIGID LEVER ESCUTCHEON



CONSTRUCTION

- Grade 1, thrubolted design, rigid non-clutch, Non handed design.
- Easily field reversible.
- Hardened steel heavy duty tailpiece. Available for fire and non-fire rated rim and vertical rod exit devices.
- Standard 6-Pin Schlage "C" Mortise Cylinder included

FINISHES

- Powder coated aluminum (alum)
- Powder coated dark bronze duranodic (duro)
- Powder coated gold

DOOR THICKNESS

Standard 1 3/4". For 2 1/4" thick door use additional PART # TAIL3.

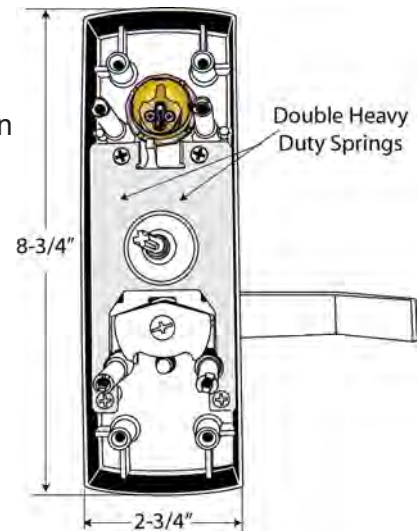
ESCUTCHEON DIMENSIONS

2 3/4" width X 8 3/4" length. Lever length: 4 3/4".

Fits and covers 2 1/8" 161 cutout



NESC2200 or • ICNESC2200 or • ICSCNESC2200	ENTRANCE Rigid Entrance, key locks or unlocks escutcheon trim ANSI FUNCTION (63) Operates as classroom function
NESC2205 or • ICNESC2205 or • ICSCNESC2205	STOREROOM Rigid Storeroom, key unlocks lever, lever retracts latch bolt, otherwise always locked ANSI FUNCTION (04)
NESC2230	PASSAGE Trim always operable and free ANSI Function (62)
NESC2240	DUMMY Dummy Escutcheon trim ANSI FUNCTION (10)



KEYWAY: 6 pin solid brass "C" keyway Mortise Cylinder standard. Optional: Schlage E, Schlage C-K, Russwin D1-2-3-4, Corbin 59/60, Sargent LA-LB-LC, Falcon/Weiser E, Arrow A, Yale 8, Yale GA and Kwikset. Can also accept Medeco, Assa, Kaba and **Cal-Royal HSK** High Security Cylinders.

• **(IC) INTERCHANGEABLE CORE:** Interchangeable Core locks will accept compatible 6 or 7-Pin cores with BEST, FALCON and ARROW

• **(ICSC) INTERCHANGEABLE CORE:** Indicates function available with **Schlage Full Size Format** Interchangeable Core. Corbin, Sargent and Yale format also available.

FOR ELECTRIFIED TRIM OPTIONS SEE PAGE 64

Trim Selection

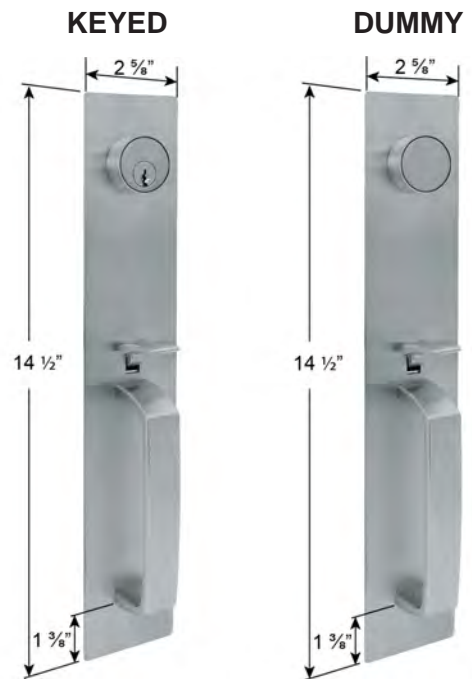
PULL DESIGN



<p>2200PULNL IC2200PULNL ICSC2200PULNL</p> <p>FOR RIM DEVICES ONLY Outside by pull and key. Key retracts latch bolt. ANSI function – 03. Covers 161 cutout. Standard Rim Cylinder available in "C" 6-Pin and optional Kwikset KW keyways included.</p>	<p>2200 NL IC2200NL ICSC2200NL</p> <p>FOR RIM DEVICES ONLY Outside by pull and key. Key retracts latch bolt. ANSI function – 03. Covers 161 cutout. Standard Rim Cylinder available in "C" 6-Pin and optional Kwikset KW keyways included.</p>	<p>2200DTP</p> <p>Outside by pull only. Pull when dogged. ANSI function - 02 Covers 161 cutout.</p>	<p>2200EOP</p> <p>Outside by plate only. ANSI function - 10 Covers 161 cutout.</p>	<p>8000K ENTRANCE</p> <p>Key locks and unlocks knob. Operates as classroom function. ANSI Function - 08</p>
---	---	--	---	---

THUMBPIECE TRIM (OPERATES ON RIM & VERTICAL ROD DEVICES)

<p>THP00 or ● ICTHP00 ● ICSCTHP00</p>	<p>ENTRANCE Key locks or unlocks thumbpiece. (Operates as classroom function) ANSI Function – 63</p>
<p>THP05 or ● ICTHP05 ● ICSCTHP05</p>	<p>STOREROOM Key unlocks thumbpiece, thumbpiece retracts latch bolt, otherwise always locked. ANSI Function-04</p>
<p>THP30</p>	<p>PASSAGE Trim always operable and free. ANSI Function – 62</p>
<p>THP40</p>	<p>DUMMY Dummy trim. Includes blank Mortise dummy cylinder. ANSI function – 10</p>



FINISHES

Powder coated Aluminum, Dark Bronze (DURO), Gold for PULL and THUMBPIECE TRIMS.
US32D,3,10B for 8000K knob trim.

KEYWAY: 6 pin solid brass "C" keyway Mortise Cylinder standard. Optional: Schlage E, Schlage C-K, Russwin D1-2-3-4, Corbin 59/60, Sargent LA-LB-LC, Falcon/Weiser E, Arrow A, Yale 8, Yale GA and Kwikset. Can also accept Medeco, Assa, Kaba and **Cal-Royal HSK** High Security Cylinders.

● (IC) INTERCHANGEABLE CORE

Interchangeable Core locks will accept compatible 6 or 7-Pin cores with BEST, FALCON and ARROW.

● (ICSC) INTERCHANGEABLE CORE

Indicates function available with **Schlage Full size format** Interchangeable Core. Corbin, Sargent and Yale format also available.

DOOR THICKNESS

Standard 1 3/4". For 2 1/4" thick door use additional PART # TAIL 7.

Heavy Duty Mechanical Push Button Lock



MECHANICAL CRCODE204

Features

- Breakaway Lever Design
- Easy On-Door Code Change
- Weather Resistant
- Code-Free Option (Passage)
- Non-Handed
- 1 - 12 digit Length Code
- Thousands of Possible Code Combinations
- Single Code User
- Applications: Offices, Schools, Hospitals, Apartments, Hotels/Motels, Residential, Commercial and Public Buildings
- Door Thickness: 1 3/4" - 2"
- 2-year limited warranty

NEW ITEM



Electrified Lever Trim

Cal-Royal's electrified lever trim provides remote locking and unlocking capabilities using industry safety standards. The 24V DC solenoid can be energized from a distant controller, thus allowing access control of the opening.

The control of stairwells in high-rise buildings is a common application for this trim, where electric pullback of the exit device's latch bolt is cost prohibitive or not required. This is especially practical in applications where fire / life safety codes require a "fail-safe" condition which is not an option with electrified latch pullback devices. Because the current draw is quite low there is no need for a more expensive power supply to provide the surge current.

Features

- Continuous duty solenoids used to insure trouble-free operation
- No hassle 3-Year Warranty
- Requires additional door prep

Options

- Available Fail Safe (Electrically Locked) or Fail Secure (Electrically Unlocked)
- Voltage options – 12V or 24V (AC/DC)
- Request to Enter Switch (REE) available
- CRU2 – Current Reduction Unit to improve solenoid life in "continuously on" applications



Specifications

Solenoid.....Continuous Duty 24VDC

Operating Voltage....12 or 24VAC/DC + OR – 10%
(must specify 12 or 24 volts when ordering)

Amperage.....260mA@12V / 160mA@24V

Coil Resistance.....12V=49Ω / 24V=159Ω

To order, Specify:

OPTIONS: FAIL SAFE (FS)
FAIL SECURE (FSE)

ITEM#	DESCRIPTION
FS12 ESC22	FS12 FAIL-SAFE OPTION 12V AC/DC
FS24 ESC22	FS24 FAIL-SAFE OPTION 24V AC/DC
FSE12 ESC22	FSE12 FAIL-SECURE OPTION 12V AC/DC
FSE24 ESC22	FSE24 FAIL-SECURE OPTION 24V AC/DC

(ELR) Electric Latch Retraction

Our electrified latch pullback exit device allows for remote keyless access control in high occupancy / high traffic conditions where exit devices are required. Common applications include conditions such as hospitals, airports, schools, churches and they are commonly specified in applications that require automatic door openers. The device may be continuously energized allowing for a push / pull condition if desired.

Features:

- Available on 2200 Series, including rim, vertical rod, concealed vertical rod, fire and non-fire-rated devices.
- MM3 Smart Module: On board diagnostics with audible feedback for adjustment and power issues
- "PTS": 5 second electronic adjustment for easy post installation adjustment
- Electric dogging rated for continuous duty - Auto retraction if dogged push pad is pulled from position
- Low current draw
- Up to 500' wire - Long wire runs provides installer with convenience of placing the locking device power supply in a centralized location; i.e. the same closet as the access panel
- 6' cable with Quick Connect for MM3 module to easily connect to power supply lead
- No hassle 3-year warranty

Specifications

- Voltage – 22 to 28 VDC
- System protection – unit shutdown when voltage exceeds 28VDC
- Average In-rush Current – 1A; Average Hold Current -180mA
- PTS adjustment – approx. 1/4"
- Wire run: 500' with 18ga wire; 700' with 16ga wire

**FOR FIELD INSTALLATION
USE FLR2298 KIT**



**MUST USE CRP POWER SUPPLIES
TO HONOR WARRANTY (see page 15)**

To order, specify:

- Prefix **ELR** before PART #

Signal Switch RX and LX

RX (request to exit) signal switch is used to signal the use of an opening from the push side. When the push pad is depressed, the switch is activated. These devices are equipped with an internal SPDT (single pole double throw) switch that monitors the touch bar.

LX (latch bolt monitoring) signal switch monitors both egress and access of an opening. When the latch bolt is retracted, the switch is activated. These devices are equipped with an internal SPDT (single pole double throw) switch that monitors the latch bolt position.

LX and **RX** switches can be combined.

LX, RX switches can be used in combination with ELR (electric latch retraction) option.

Specifications

RX or **LX**.....Switch rated 0.5 amps @ 24VAC/DC resistive
Low current **RX** or **LX**.Switch rated 0.5 amps @ 24VAC/DC resistive
For Factory Installed:

To Order, Specify:

- Prefix: - **RX2200**.....Request to Exit switch for field installation
- LX2200**.....Latch bolt Monitoring switch for field installation
- LXRX2200**.....Latch bolt Monitoring/Request to Exit Combination

KABA® - Cal-Royal Combination

Cal-Royal's Exit hardware devices combined with **Kaba InSync CP** provide a variety of alternatives when addressing community access control. Recommended for applications such as controlling building entry openings, common area rooms and doors with exit devices. **InSync CP** are available as stand-alone battery operated door locks designed to work in conjunction with **Cal-Royal's Exit Hardware Devices**.



KABA InSync CP is not sold through CAL-ROYAL. For inquiries and information on InSync line of products please visit www.kabamultihousing.com

Power Supplies for Electrified Exit Devices



The CRPS1N is a heavy duty, high quality, low cost solution for powering a single latch retracting exit device. The solid-state design insures years of trouble-free operation. The power supply delivers raw, unregulated DC current which is ideal for the extreme in-rush requirement of most motor driven electric latch retracting exit devices. The power supply comes housed in a sturdy, yet compact metal enclosure.

CRPS1N



Features:

- Power supply delivers the necessary high current in-rush for a single exit device
- Solid-state design eliminates problems associated with mechanical relays
- Single input/output
- No hassle 2-year warranty



Specifications:

- Input voltage – 120 VAC
- Output voltage – 24 VDC unregulated @ 1A
- Temperature range – 0 to 120F
- 1 Solid-State input/output (input triggered by dry contact)
- LEDs – RED = Power indicator
- GREEN = Channel on
- Enclosure dimensions: 10" x 10" x 4"

The CRPS2 Series power supplies are high quality, cost effective solution for powering two electric latch-retracting exit devices. These power supplies provide the necessary surge current that most latch-retracting exit devices require. The CRPS2 Series offers features found on power supplies costing much more; and the solid-state design and careful attention to detail make the CRPS2 Series ideal choice for the discerning user who requires a power supply that can offer years of trouble-free operation.

CRPS2 CRPS2BB



Features:

- Delivers the necessary in-rush current to power two latch pullback exit devices.
- Two independent inputs/outputs
- Solid-state design eliminates Mechanical problems associated with relays
- Thermal overload sensing reduces risk of failure due to overheating
- Fire alarm disconnect link
- Inputs triggered by dry contact
- Intelligent short circuit detection detects shorts much faster than fuses and isolates the short to the individual output
- Removable Euro-style terminal blocks allow for easy installation
- UL Pending at time of print
- No hassle 2-year warranty

Additional Features (CRPS2BB Only):

- Efficient battery backup/charging circuitry with zero voltage drop at power loss
- Solid state reverse polarity protection for battery connections
- Audible alert when sensing AC power failure & low battery (batteries not included)
- Output Voltage – 24 VDC unregulated @ 2.3A
- Enclosure dimensions: 12.5" x 15" x 4"

Specifications:

- Input Voltage – 120 VAC
- Output Voltage – 24 VDC unregulated @ 2A**
- Temperature Range – 0° to 120°F
- 1 Solid-State input/output (input triggered by dry contact)
- LEDs – RED = Power indicator
- GREEN = Channel on
- Enclosure dimensions: 10" x 10" x 4" **

**CRPS2 only

The CRSW3 power supply is a low cost, regulated switching power supply. It is designed specifically to supply power to low current DC devices such as mortise locks, cylindrical locks and electric strikes. The CRSW3 supplies 2.4A @ 27VDC and provides (3) non-fused outputs. The CRSW3 comes housed in a 10" x 10" x 4" sturdy metal enclosure.



CRSW3

Features:

- Adjustable output voltage (22-27V under load)
- No hassle 2-year warranty

Specifications:

- Input voltage – 110 or 240VAC
- Output voltage – 2.4A @ 27VDC
- (3) Non-fused outputs
- Enclosure dimensions : 10" x 10" x 4"

CRPS202/202B linear design makes it a perfect match for electric locks, motor driven exit devices, electric strikes, and mag locks.

CRPS202 CRPS202B



Features:

- Built to run up to 2 locks, exit trim and LP Motor Kits
- Interruption-free battery back-up
- Door mounted LED Power Indicator
- Over-voltage protection
- Regulated, independent battery charging
- Fire alarm link
- No hassle 2-year warranty

Specifications:

- Input voltage – 120 VAC, 60 Hz
- Input Fuse: 2 Amp Fuse @ 250VAC
- Output voltage – 2A @ 24VDC
- Temperature range: 0 to 49° C; 32 to 120° F
- Maximum humidity: 85%

The CRPS5 power supply is a regulated, linear power supply rated at 5 Amps @ 24VDC. Its state-of-the-art, solid-state design offers a flexible and cost effective solution to powering and controlling low current DC locking devices. It is available in 4, 6, and 8 I/O models.

CRPS5 (5 Amps, 1 I/O)

OPTIONS:

- CRPS5-4 (1.25 Amps, 4 I/O)
- CRPS5-6 (0.83 Amps, 6 I/O)
- CRPS5-8 (0.625 Amps, 8 I/O)



Features:

- Adjustable output voltage from 24-27VDC
- Independent, Battery backup charging circuit at 27.6V with Solid-state design and very low voltage loss
- No hassle 2-year warranty

Specifications:

- Input voltage - 110 VAC
- Output voltage - 24VDC @ 5A continuous current
- Up to (8) Solid-state inputs (specify dry contact or voltage trigger)
- Up to (8) Solid-state outputs
- Thermal auto-resettable fuses



Strikes & Accessories



Strikes for use with 2260 vertical rod exit device All strikes are black nylon coated

221
Standard for 2260.
Applied to surface of floor or to a flat threshold.
Standard packaging.

227
Applied to surface of stop.
No mortise required.
Standard packaging.

233
Bottom strike. Alternate bottom strike. Flush mounting stainless steel. Furnished with expansion shields.
Requires mortise in the floor.

RIM238
Strike for 2 3/8" Backset Application

Overlapping Strikes

N251
Surface applied. Used on inactive leaf for device on active leaf of pair of doors without mullion

Additional Rods

Vertical rod for 10 feet high doors available on non-fire rated vertical rod devices only. Use Part # VRRD-10

CYLINDER DOGGING KITS

TO ORDER: Prefix "CD" before PART #. Available for all 2200 Series devices except fire exit hardware. Cylinder dogging with mortise cylinder is located on the mounting insert lock bolt in retracted position.
To order KIT ONLY: use PART # 36CD2200 for 36" and 48CD2200 for 48" devices. Specify finish.



KEYWAYS: 6-Pin solid brass "C" keyway standard. Optional: Schlage E, Schlage C-K, Russwin D1-2-3-4, Corbin 59/60, Sargent LA-LB-LC, Falcon/Weiser E, Arrow A, Yale 8, Yale GA and Kwikset. Can also accept Medeco, Assa, Kaba and **Cal-Royal HSK** High Security Cylinders.

Strikes for use with F2260V vertical rod fire exit device

245
Surface applied for F2260.
Standard packaging.

233
Bottom strike for F2260. Flush mounting stainless steel. Furnished with expansion shields. Requires mortise in the floor.
Standard packaging.

Additional Accessories

LFF
Lock front filler

SF
Strike filler

Strikes for use with 2200 rim type exit device | Strikes for use with F2200 rim type fire exit device

239
For 2200 surface applied.
Standard packaging

245
For F2200 surface applied.
Standard packaging.

ADA Strike for 2200 exit device

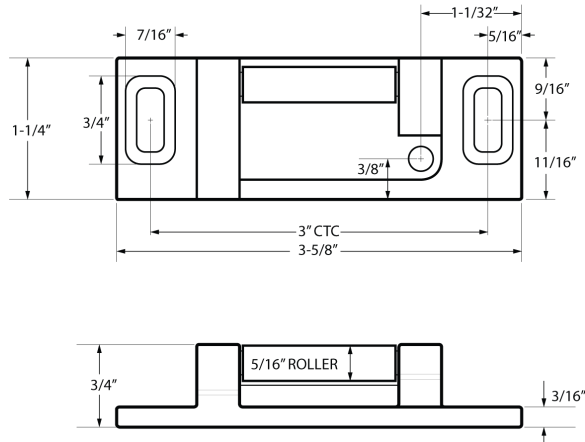
TOP STRIKE

BOTTOM STRIKE

Strikes & Accessories



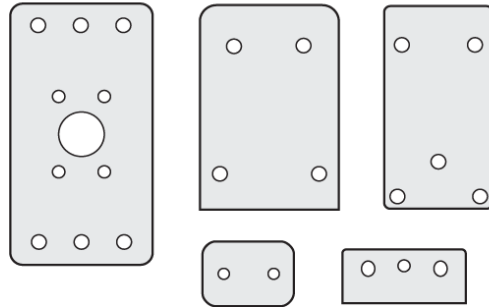
Roller Strike for Rim Device



GLASS BEAD SHIM KITS

- 401** – For rim type, 1/8" thick
- 406** – For vertical type, 1/8" thick
- 412** – For fire rated type, 1/8" thick

When exit devices are used with shim kits with outside trim, spindle length thumbpiece and thru bolt length must be increased accordingly.



STANDARD HEX DOGGING KIT



(For non-rated Panic Bar)
PART # **DOGGINGKIT** (2200 Series)

Fire Exit Hardware Selector



FIRE EXIT HARDWARE RATING			UL DOOR RATING
APPLICATION	MODEL #	MAXIMUM DOOR OPENING	(A) 3 HOUR
SINGLE DOORS Rim type	F2200EO36 F2220EO48	4'0" X 8'0"	✓
PAIRS OF DOORS Two surface mounted standard vertical rod type or less bottom rod (LBR) application. Prefix LBR before Part # a) Swinging in same direction b) Swinging in opposite direction (double egress)	F2260V3684 X F2260V3684	8'0" X 7'2"	✓
	F2290V3696 X F2290V3696 F2280V4896 X F2280V4896	8'0" X 8'0"	✓
PAIRS OF DOORS Two rim type with Mullion	F2200EO36 F2220EO48	8'0" X 8'0"	✓

All fire rated exit devices in all applications, are also labeled for (B) 1 ½ hour, (C) ¾ hour, (D) 1 hour, (E) ¾ hour.

All fire exit hardware meet UL10C and UBC 7-2-1997 codes.

Includes ADA Series.

HOW TO ORDER INFORMATION

Exit device model number

Panic grade

2200 EO36 Rim type 36" door
 2220 EO48 Rim type 48" door
 2260 V3684 Vertical rod type 36" x 84"
 2290 V3696 Vertical rod type 36" x 96"
 2280 V4896 Vertical rod type 48" x 96"
 VRRD10 – Rod for 10' non-rated door
 2250 V36120 Vertical rod type 36" x 120"
 2240 V48120 Vertical rod type 48" x 120"

Fire grade

F2200 EO36 Rim type 36" door
 F2220 EO48 Rim type 48" door
 F2260 V3684 Vertical rod type 36" x 84"
 F2290 V3696 Vertical rod type 36" x 96"
 F2280 V4896 Vertical rod type 48" x 96"

- 1) Specify exit device model number according to size of door.
- 2) Specify ADA option if needed.
- 3) Specify trim selection. For interchangeable core prefix "IC" before part #.
- 4) For vertical rod devices specify LHR (Left Hand Reverse) or RHR (Right Hand Reverse) for convenience easily field reversible, otherwise shipped as LHR.
- 5) Specify finish:
 Alum - Powder coated to match US26D
 Duro - Powder coated to match US10B
 Gold - Powder coated to match US4, US3
- 6) On thru bolt applications, fire rated vertical rod devices are packed with thru-bolts as standard feature. Thru-bolts are also available for other devices. To order thru-bolts add "SBN" to trim pack.

When ordering separately use following part #

Cal-Royal Part # 357 — Thru-bolts for rim devices, 6 pcs / pack.

Cal-Royal Part # 369 — Thru-bolts for vertical rod devices, 14 pcs / pack.

Cal-Royal Part # 363 — Thru-bolts for rim devices, 6 pcs / pack for 2 ¼" thick doors.

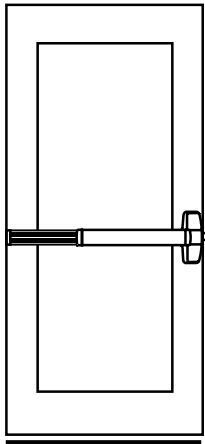
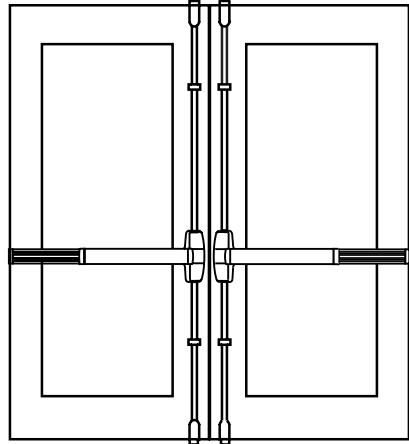
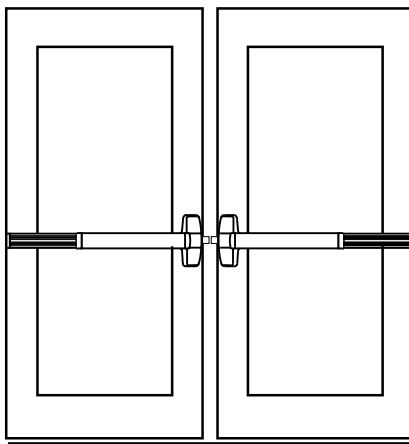
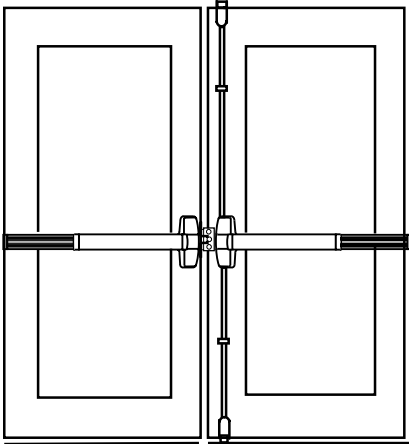
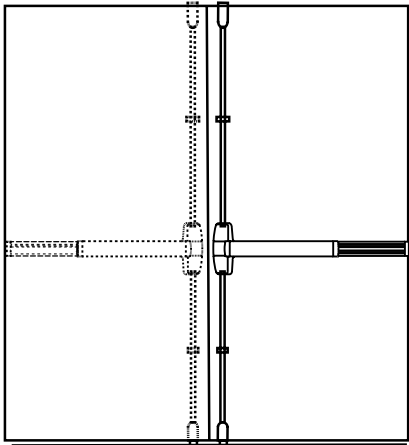
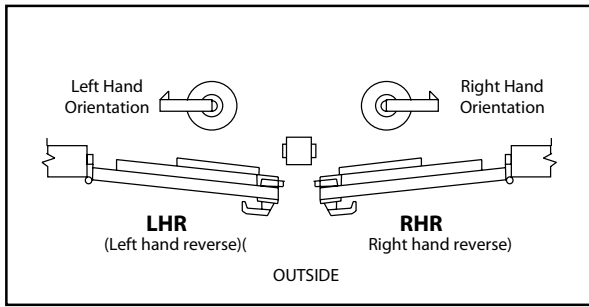
Cal-Royal Part # 375 — Thru-bolts for vertical rod devices, 14 pcs / pack for 2 ¼" thick doors.

Ordering example: 2200EO36 ALUM X SBN X ENT00L 26D
 F2280V4896 DURO X ICSTR05L 10B

2200 & F2200 Rim Type and Fire Exit Devices 2260V & F2260V Vertical Rod Fire Exit Devices

ANSI A156.3 Grade 1 Selector Chart



<p style="text-align: center;">SINGLE DOOR</p>  <p>Vertical rod type or Rim type Surface applied 2 point lock. Surface application.</p>	<p style="text-align: center;">PAIR OF DOORS WITHOUT MULLION</p>  <p>2 Vertical rod type Surface applied 2 point locking both doors. Each door active same direction. Do not use with overlapping astragal.</p>
<p style="text-align: center;">PAIR OF DOORS WITH MULLION</p>  <p>2 Rim type with mullion Two independent active doors with full double door openings when required. Same direction.</p>	<p style="text-align: center;">PAIR OF DOORS WITHOUT MULLION</p>  <p>1 Vertical rod and 1 rim type Both devices are surface applied. A coordinator and overlapping strike is recommended.</p>
<p style="text-align: center;">PAIR OF DOORS WITHOUT MULLION</p>  <p>2 Vertical rod type Double egress surface applied. 2 point locking both doors opposite directions.</p>	<p style="text-align: center;">HANDING</p>  <p style="text-align: center;">LHR (Left hand reverse) RHR (Right hand reverse) OUTSIDE</p> <p>CAL-ROYAL PRODUCTS, INC. 6605 FLOTILLA ST., COMMERCE, CA 90040 U.S.A. TEL: (323) 888-6601 FAX: (323) 888-6699 Website: cal-royal.com * Email: sales@cal-royal.com</p>

Exit Devices Comparison Chart



RIM EXIT DEVICE CONVERSIONS	RIM	VERTICAL ROD	RIM	VERTICAL ROD
ARROW	S1200	S1100	S3800	S3700
CAL-ROYAL	2200	2260	9800	9860
CORBIN/RUSSWIN	ED8200	ED8400	ED5400	ED4750
DORMA	8300	8400	9300	9400
PRECISION	5100	5200	2100	2200
SARGENT	2828	2727	8800	8700
VON DUPRIN	22	2227	98	9827
YALE	2100	2110	7100	7110

RIM EXIT DEVICE CONVERSIONS	RIM	VERTICAL ROD	RIM	VERTICAL ROD
ARROW	---	---	1800	---
CAL-ROYAL	7700	7760	4400	---
CORBIN/RUSSWIN	---	---	ED6000	---
DETEX	---	---	---	---
DORMA	---	---	---	---
PRECISION	---	---	100	200
SARGENT	---	---	9898	---
VON DUPRIN	99	9927	---	---
YALE	---	---	1500	1510



Distributed by:

5000 & F5000 Rim Type Panic And Fire Exit Devices ANSI A156.3, Grade 2



Features & Construction

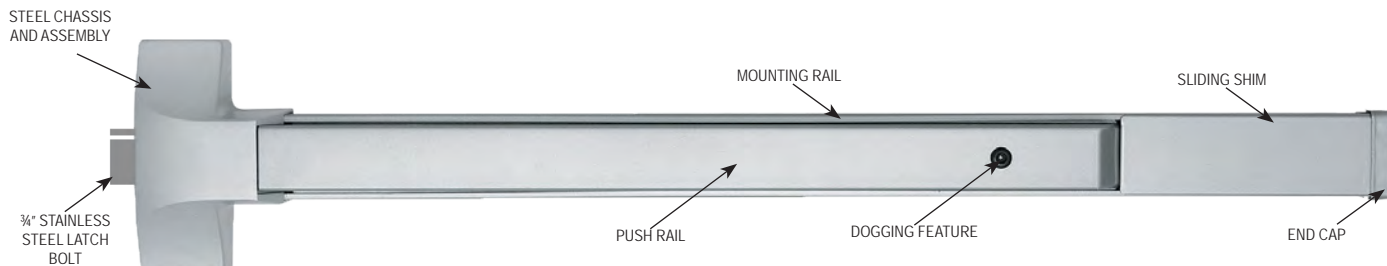
- ◆ ANSI A156.3, Grade 2 heavy duty exit device in surface vertical rod and rim designs
- ◆ UL Listed for Panic and ULC10C, UBC 7-2-1997 codes
- ◆ UL Listed for Fire Exit Hardware. 3 hours
- ◆ Conforms and Meets ADA Regulations
- ◆ (A) label rating on pairs of doors up to 8'0" x 8'0" swinging in same or opposite directions
- ◆ Uncompromising security and safety in single and double fire exit doors
- ◆ Chassis mounted unit construction
- ◆ Available in standard functions. Lever and knob trims are grade 2 construction with optional clutch freewheeling mechanism. Rose covers 161 cut out

Suggested Architect's Specifications

- ◆ All exit devices shall be of touch bar design with smooth operation and be operative over $\frac{2}{3}$ of the door's clear opening width
- ◆ All exit devices must be listed under "Panic Hardware" in the Accident Equipment List of Underwriters' Laboratories, Inc. Where labeled doors are used as exits, they must be equipped with labeled Fire Exit Hardware and UL10C, UBC 7-2-1997 codes
- ◆ All exit devices shall be of chassis mounted unit construction

5000 & F5000 Series

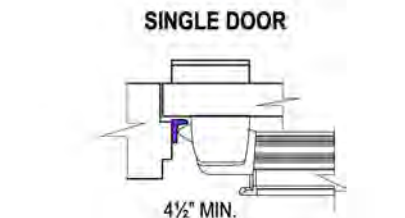
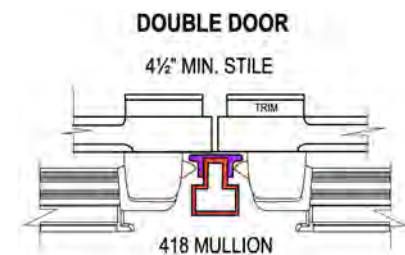
GRADE 2 Rim Type Exit Device



Specifications

For Doors.....	1 3/4" thick standard 3 3/4" minimum stile width required for single or double door application using standard 938 strike and pull or lever trims
Chassis.....	Steel (Panic Grade), steel (Fire Grade)
Cover.....	Covers stock hollow metal doors with 161-cutout
Mounting.....	Furnished standard with wood and machine screws. Available with thru-bolts on request. Thru-bolts are standard packaging on fire rated devices
End Cap.....	Steel construction
Hand.....	Non-handed, center hub
Latch Bolt.....	Stainless steel 3/4" throw
Spring.....	Steel throughout
ANSI Standard.....	A156.3, Grade 2
Rail Assembly.....	Heavy gauge steel, painted
Strike.....	938 packed standard (See strike page)
Dogging Feature.....	Allen-type key furnished standard on non-fire labeled devices
Mullion.....	Available
UL and ULC Listed.....	5000 Series for panic. F5000 Series for fire exit hardware for all types of 3' x 7' single doors and 6' x 7' double doors for up to 3 hour fire labeled installations. Conforms to standards UL10C and UBC 7-2-1997 codes
Finish.....	Aluminum (ALUM), Stainless Steel (US32D)

Minimum Stile Requirements
 4" escutcheon trims and
 4 1/2" for thimbpiece and rose trims



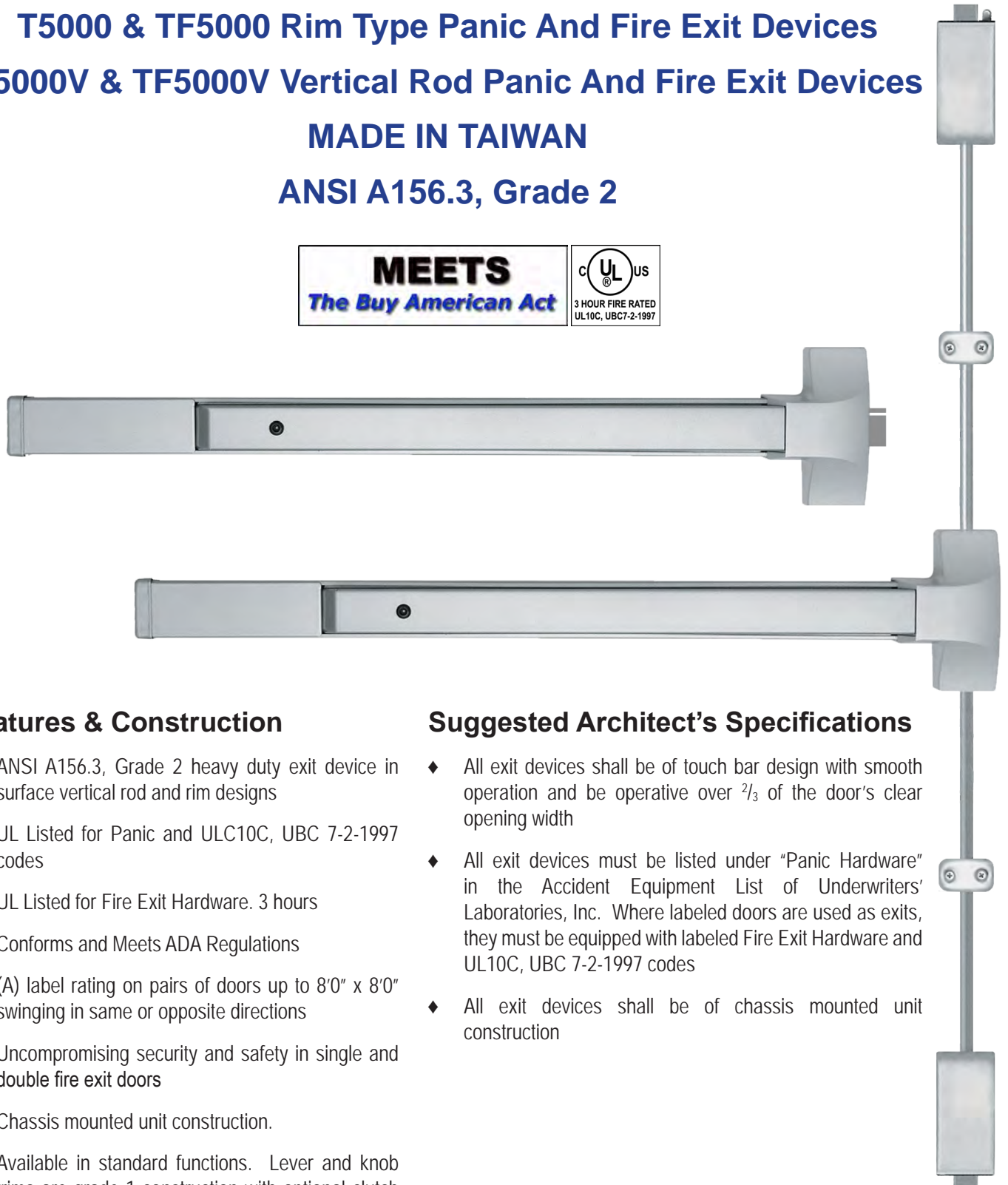
DIMENSIONS

Touchbar height to finished floor	41" (1041 mm) at center
Touchbar projection	
Neutral	2 1/2" (64 mm)
Depressed	1 3/4" (45 mm)

MODEL	ACTUAL LENGTH	MAX CUT DOWN	DOOR SIZE
5000EO36 and F5000EO36	32"	6"	30" to 36" door width
5500EO48 and F5500EO48	39"	12"	31" to 48" door width

T5000 & TF5000 Rim Type Panic And Fire Exit Devices T5000V & TF5000V Vertical Rod Panic And Fire Exit Devices

MADE IN TAIWAN
ANSI A156.3, Grade 2



Features & Construction

- ◆ ANSI A156.3, Grade 2 heavy duty exit device in surface vertical rod and rim designs
- ◆ UL Listed for Panic and ULC10C, UBC 7-2-1997 codes
- ◆ UL Listed for Fire Exit Hardware. 3 hours
- ◆ Conforms and Meets ADA Regulations
- ◆ (A) label rating on pairs of doors up to 8'0" x 8'0" swinging in same or opposite directions
- ◆ Uncompromising security and safety in single and double fire exit doors
- ◆ Chassis mounted unit construction.
- ◆ Available in standard functions. Lever and knob trims are grade 1 construction with optional clutch freewheeling mechanism. Rose covers 161 cut out

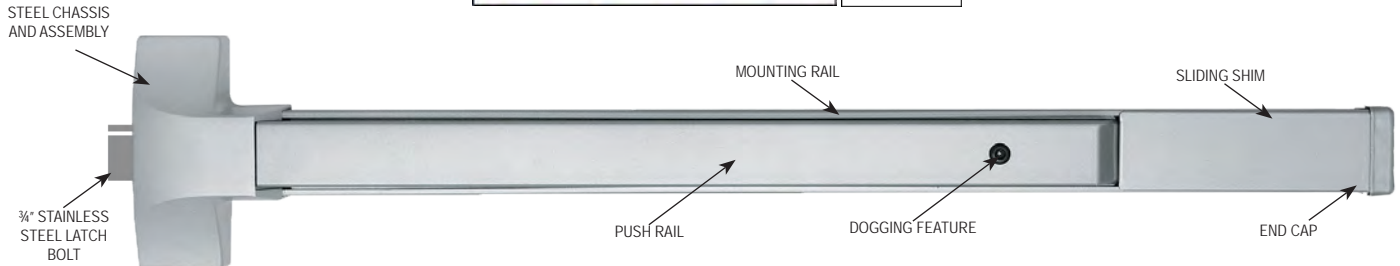
Suggested Architect's Specifications

- ◆ All exit devices shall be of touch bar design with smooth operation and be operative over $\frac{2}{3}$ of the door's clear opening width
- ◆ All exit devices must be listed under "Panic Hardware" in the Accident Equipment List of Underwriters' Laboratories, Inc. Where labeled doors are used as exits, they must be equipped with labeled Fire Exit Hardware and UL10C, UBC 7-2-1997 codes
- ◆ All exit devices shall be of chassis mounted unit construction

T5000 & TF5000 Series

MADE IN TAIWAN

GRADE 2 Rim Type Exit Device



Specifications

For Doors.....	1 3/4" thick standard. 3 3/4" minimum stile width required for single or double door application using standard 938 strike and pull or lever trims
Chassis.....	Steel (Panic Grade), Steel (Fire Grade)
Cover.....	Covers stock hollow metal doors with 161-cutout
Mounting.....	Furnished standard with wood and machine screws. Available with thru-bolts on request. Thru-bolts are standard packaging on fire rated devices
End Cap.....	Steel construction
Hand.....	Non-handed, center hub
Latch Bolt.....	Stainless Steel 3/4" throw
Spring.....	Steel throughout
ANSI Standard.....	A156.3, Grade 2
Rail Assembly.....	Heavy gauge steel, painted
Strike.....	938 packed standard (See strike page)
Dogging Feature.....	Allen-type key furnished standard on non-fire labeled devices
Mullion.....	Available
UL and ULC Listed.....	T5000 Series for panic. TF5000 Series for fire exit hardware for all types of 3' x 7' single doors and 6' x 7' double doors for up to 3 hour fire labeled installations. Conforms to standards UL10C and UBC 7-2-1997 codes
Finish.....	Aluminum (ALUM), Stainless Steel (US32D)

DIMENSIONS

Touchbar height to finished floor	41" (1041 mm) at center
Touchbar projection	
Neutral	2 1/2" (64 mm)
Depressed	1 3/4" (45 mm)

MODEL	ACTUAL LENGTH	MAX CUT DOWN	DOOR SIZE
T5000EO36 and TF5000EO36	32"	6"	30" to 36" door width
T5500EO48 and TF5500EO48	39"	12"	31" to 48" door width

Minimum Stile Requirements
4" escutcheon trims and
4 1/2" for thumbpiece and rose trims

SINGLE DOOR 4 1/2" MIN. STILE

Minimum Stile Requirements
Double Door with Two Vertical
Rod Type Exit Devices

3 1/2 MIN. STILE

T5000V & TF5000V Series

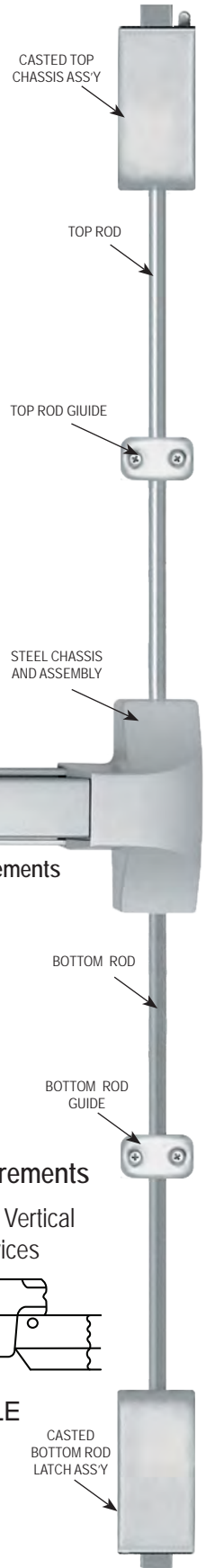
MADE IN TAIWAN

GRADE 2 Vertical Rod Type Exit Device



Specifications

For Doors.....	1 3/4" thick standard. 3 3/4" minimum stile width required for single door application. 3 1/2" minimum stile width required for double door application. Lever and knob trims available
Top & Bottom Chassis.....	Steel (Panic Grade), Steel (Fire Grade)
Cover.....	Covers stock hollow metal doors with 161 cutout
Mounting.....	Furnished standard with wood and machine screws. Thru-bolts are standard packaging on fire rated devices
End Cap.....	Steel construction
Hand.....	Non-Handed
Latch Bolt & Spring.....	Stainless steel
ANSI Standard.....	A156.3, Grade 2
Rail Assembly.....	Heavy gauge steel, painted
Strike.....	See strike page
Dogging Feature.....	5mm Allen-type key furnished standard on non-fire labeled devices



UL and ULC Listed..... T5000V Series for panic. TF5000V Series for fire exit hardware for all types of 6' x 7' double doors for up to 3 hour fire labeled installations. Conforms to standards UL10C and UBC 7-2-1997 codes.

Finish..... Aluminum (Alum), US32D Stainless Steel
 Door size..... T5000V3684 and TF5000V3684 for 36" x 84" doors

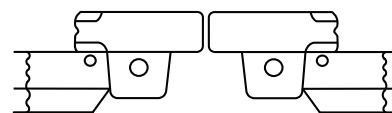
DIMENSIONS

Touchbar height to finished floor	41" (1041 mm) at center
Touchbar projection	
Neutral	2 1/2" (64 mm)
Depressed	1 3/4" (45 mm)
Panic grade top & bottom latch case	8 1/16" x 2 3/4" x 2 1/2" (205 mm x 70 mm x 63 mm)
Fire grade top latch case	3 15/16" x 2 11/16" x 2 1/16" (100 mm x 68 mm x 52 mm)
Fire grade bottom latch case	3 15/16" x 2 1/8" x 1 3/8" (100 mm x 54 mm x 35 mm)
Top and bottom rod length for 36" x 84" doors	Top rod 38" (965 mm), Bottom rod 37 1/2" (953 mm)
Vertical rods	1/2" (13 mm) Round tubing

MODEL	ACTUAL LENGTH	MAX CUT DOWN	DOOR SIZE
T5000V3684	32"	6"	36" to 84" door width
TF5000V3684			

Minimum Stile Requirements

Double Door with Two Vertical Rod Type Exit Devices



3 1/2 MIN. STILE

Trim Selection



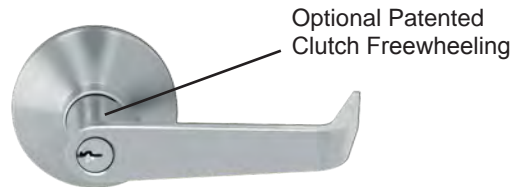
LEVER DESIGN

Non handed (Optional Clutch)

Tubular body hardened steel heavy duty tailpiece. For 1 3/4" doors. Available for fire and non-fire rated rim and vertical rod exit devices.

Rose diameter 3 1/2", lever length 4 3/4". Fits and covers 161 cutout.

Finishes: US26D, 10B, 3



KNOB DESIGN

Non handed

Tubular body hardened steel heavy duty tailpiece. For 1 3/4" doors. Available for fire and non-fire rated rim and vertical rod exit devices.

Rose diameter 3 1/2". Fits and covers 161 cutout.

Finishes: US32D, 10B, 3



8000L ENTRANCE
Key locks and unlocks lever.
Operates as classroom function.
ANSI Function - 08

CLU5000L CLUTCH FREE WHEELING (ENTRANCE)
Key locks and unlocks lever.
Operates as classroom function.
ANSI function - 08

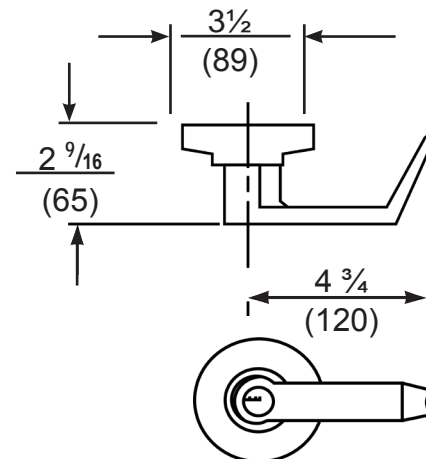
8000S STOREROOM
Key retracts latchbolt, otherwise always locked.
ANSI function - 04

8000PAS PASSAGE
Lever always operable and free.
ANSI function - 15

8000DUM DUMMY
Dummy trim. One sided.
ANSI function - 10

8000K ENTRANCE
Key locks and unlocks lever.
Operates as classroom function.
ANSI Function - 08

8000KSTR STOREROOM
Key retracts latchbolt, otherwise always locked.
ANSI function - 04



KEYWAY: 6-Pin solid brass "C" keyway standard. Optional: Schlage E, Schlage C-K, Russwin D1-2-3-4, Corbin 59/60, Sargent LA-LB-LC, Falcon/Weiser E, Arrow A, Yale 8, Yale GA and Kwikset. Can also accept Medeco, Assa, Kaba and **Cal-Royal HSK** High Security Cylinders.

PULL DESIGN

FOR RIM DEVICES ONLY

Outside by pull and key.
Key retracts latchbolt.
ANSI function - 03
Covers 161 cutout.

FINISHES

Powder Coated Aluminum (ALUM)

5000NL



5000DTP



Outside by pull only.
Pull when dogged.
ANSI function - 02
Covers 161 cutout.

5000EOP



Outside by plate only.
ANSI function - 10
Covers 161 cutout.

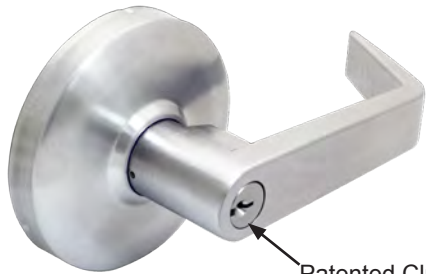
Optional Grade 1 Trims



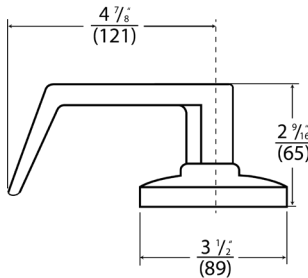
Non-handed Grade 1 (Clutch Style)

Cylindrical body hardened steel heavy duty tailpiece. For 1 3/4" and 2 1/4" doors. Prefix THI before part # for 2 1/4" door thickness. Available for fire and non fire rated rim and vertical rod exit devices. Rose diameter 3 1/2", lever length 4 3/4". Fits and covers 161 cutout.

Finishes: Architectural plated finishes.



Patented Clutch Freewheeling



- ENT00L or
- ICENT00L or
- ICSCENT00L4
- SARICENT00L (Sargent)
- RUSICENT00L (Corbin/Ruswin)
- YALICENT00L (Yale)
- 8000K

- ENTRANCE**
Key locks and unlocks lever. Operates as CLASSROOM FUNCTION. ANSI Function – 08
Ball Knob Keylock

- STR05L or
- ICSTR05L or
- ICSCSTR05L4
- SARICSTR05L (Sargent)
- RUSICSTR05L (Corbin/Ruswin)
- YALICSTR05L (Yale)

- STOREROOM**
Key operates lever, otherwise always locked. ANSI Function – 04

PAS30L

- PASSAGE**
Trim always operable and free. ANSI Function - 15

DUM40L

- DUMMY**
Dummy trim. One sided ANSI Function – 10

When ordering "AT" and "SPA" designs, prefix design name before part #. Example: ENT00L in "AT" is **ATENT00L**.

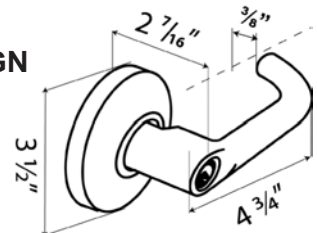
KEYWAY: 6 pin solid brass "C" keyway standard. Optional: Schlage E, Schlage C-K, Ruswin D1-2-3-4, Corbin 59/60, Sargent LA-LB-LC, Falcon/Weiser E, Arrow A, Yale 8, Yale GA and Kwikset. Can also accept Medeco, Assa, Kaba and **Cal-Royal HSK** High Security Cylinders.

- (IC) **INTERCHANGEABLE CORE:** Interchangeable Core locks will accept compatible 6 or 7 pin cores with BEST, FALCON and ARROW
- (ICSC) **INTERCHANGEABLE CORE:** Indicates function available with Schlage Full size format Interchangeable Core

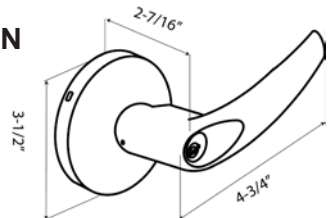
Other Lever Trim Designs



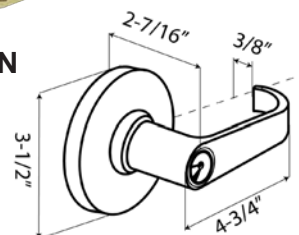
TUB DESIGN



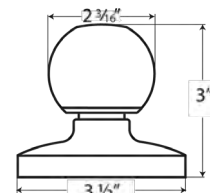
AT DESIGN



SPA DESIGN



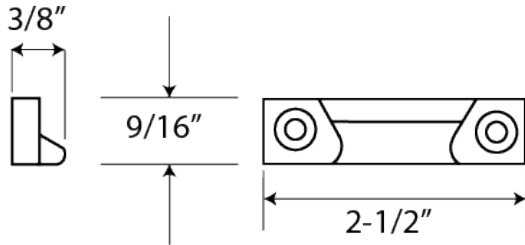
8000K / 8000KSTR



Strikes & Accessories

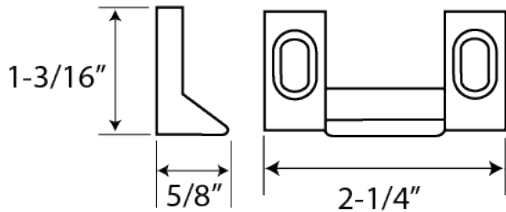


Strikes for use with T5000V vertical rod exit device All strikes are black nylon coated



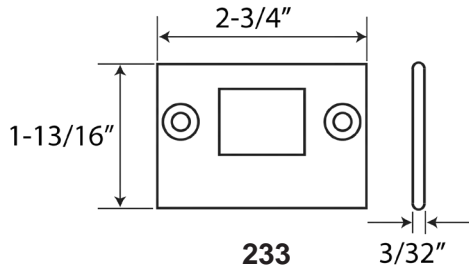
221

Standard for T5000V. Applied to surface of floor or to a flat threshold.
Standard packaging.



227

Applied to surface of stop. No mortise required. Standard packaging.



233

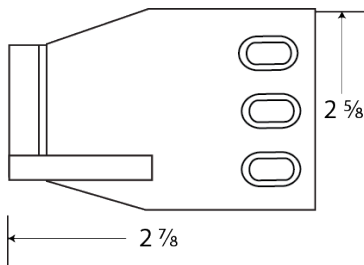
Bottom strike for TF5000V.

Flush mounting stainless steel. Furnished with expansion shields.
Requires mortise in the floor. Standard packaging.

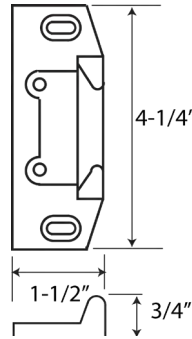
Overlapping Strikes

254

Surface applied. Used on inactive leaf for device on active leaf of pair of doors without mullion.

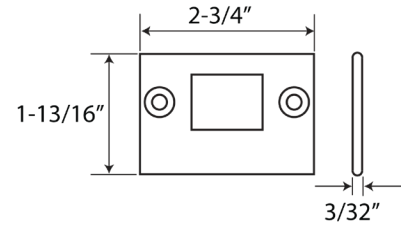


Strikes for use with TF5000V vertical rod fire exit device



245

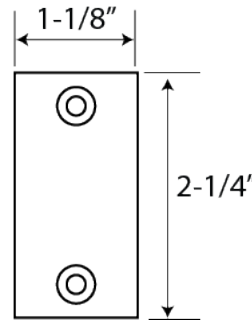
Surface applied for TF5000V.
Standard packaging.



233

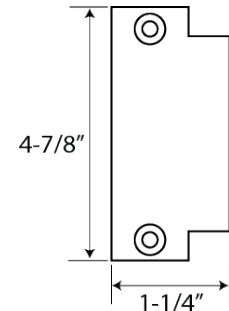
Bottom strike for TF5000V. Flush mounting stainless steel. Furnished with expansion shields. Requires mortise in the floor.
Standard packaging.

Additional Accessories



LFF

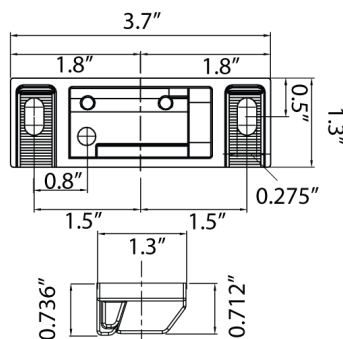
Lock front filler



SF

Strike filler

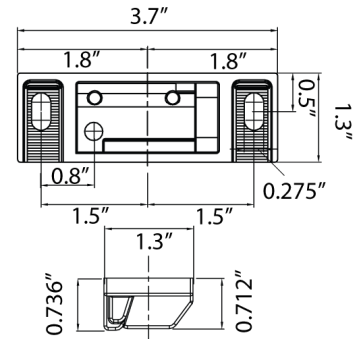
Strike for use with T5000 rim type exit device



938

For T5000 surface applied.
Standard packaging

Strike for use with TF5000 rim type fire exit device



938

For TF5000 surface applied.
Standard packaging.

Fire Exit Hardware Selector



FIRE EXIT HARDWARE RATING			UL FIRE DOOR RATING
APPLICATION	MODEL #	MAXIMUM DOOR OPENING	(A) 3 HOUR
SINGLE DOORS Rim type	TF5000EO36	3'0" X 7'0"	✓
PAIRS OF DOORS Two surface mounted standard vertical rod type	TF5000V3684 X TF5000V3684	6'0" X 7'0"	✓
	a) Swinging in same direction b) Swinging in opposite direction (double egress)	TF5000V3684 X TF5000V3684	6'0" X 7'0"
PAIRS OF DOORS Two rim type with Mullion	TF5000EO36	6'0" X 7'0"	✓

All fire rated exit devices in all applications, are also labeled for (B) 1 ½ hour, (C) ¾ hour, (D) 1 hour, (E) ¾ hour. All fire exit hardware meet UL10C and UBC 7-2-1997 codes.

HOW TO ORDER INFORMATION

Exit device model number

Panic grade

T5000 E036 Rim type 36" door

T5000 V3684 Vertical rod type 36" x 84"

Fire grade

TF5000 E036 Rim type 36" door

TF5000 V3684 Vertical rod type 36" x 84"

- 1) Specify exit device model number according to size of door.
- 2) Specify trim selection.
- 3) Non-Handed
- 4) Specify finish:
Alum - Powder coated to match US26D
US32D Stainless Steel
- 5) On thru-bolt applications, fire rated vertical rod devices are packed with thru-bolts as standard feature. Thru-bolts are also available for other devices. To order thru-bolts add "SBN" to trim pack.

When ordering separately use following part #

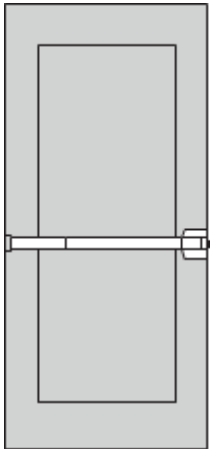
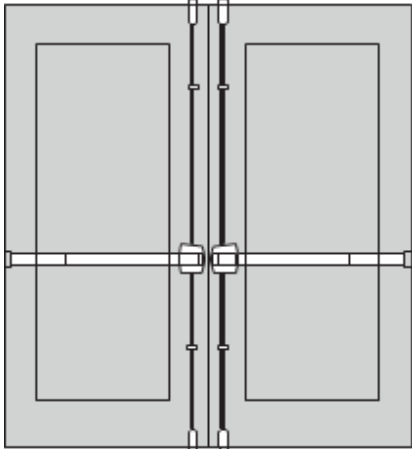
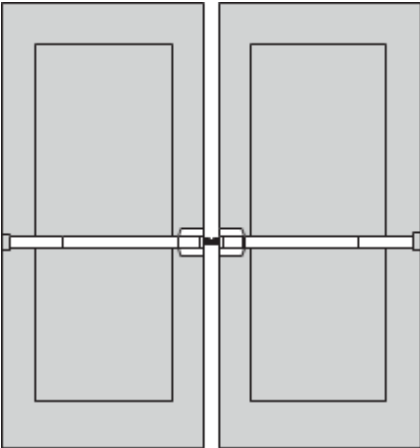
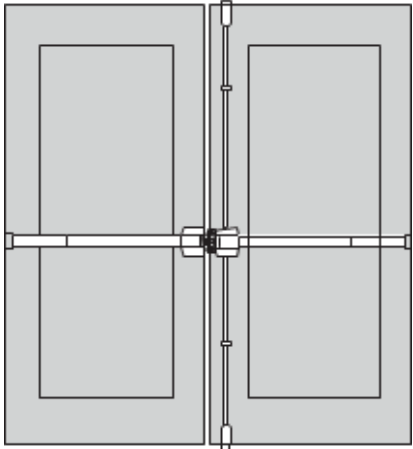
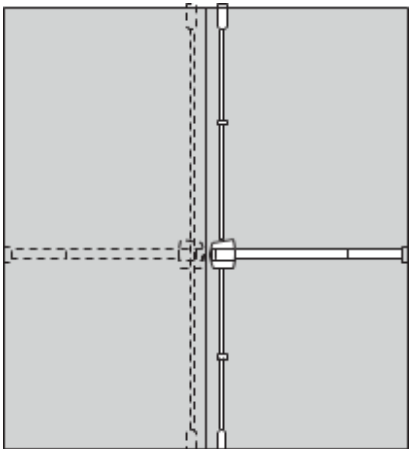
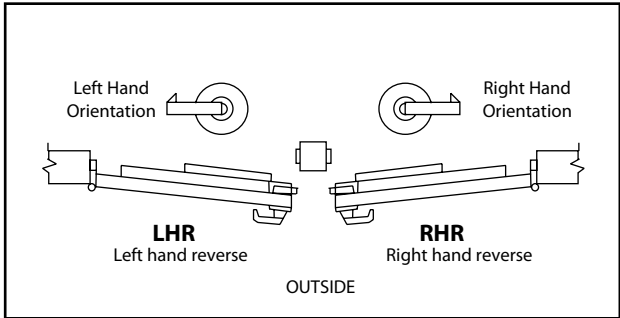
Cal-Royal Part # 357 — Thru-bolts for rim devices, 6 pcs / pack.

Cal-Royal Part # 369 — Thru-bolts for vertical rod devices, 14 pcs / pack.

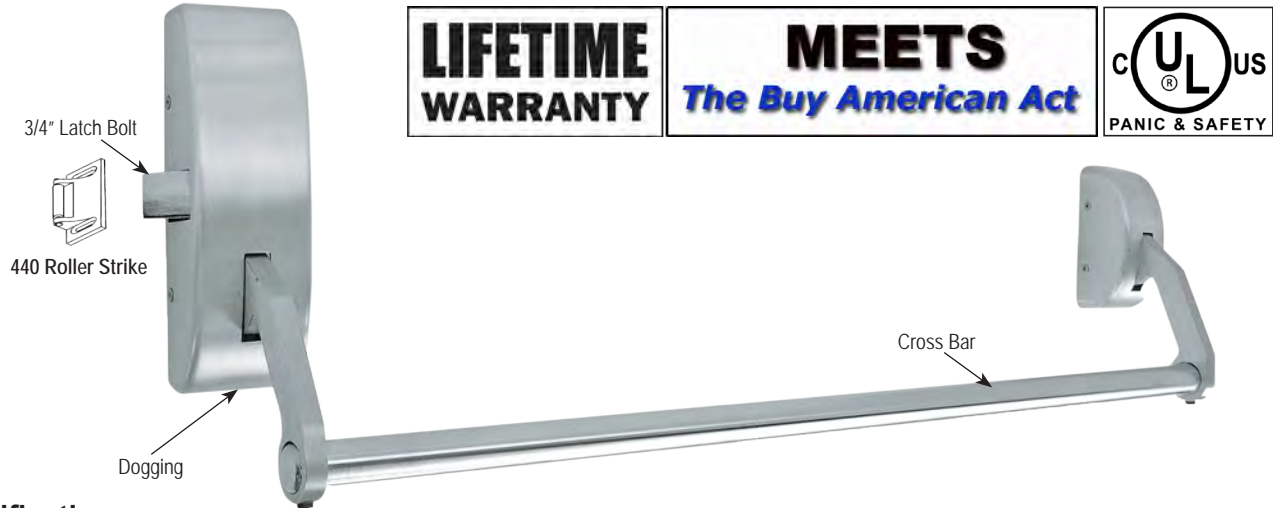
Ordering example: T5000E036 ALUM X 8000L 26D
T5000V 3684 32D X CLU5000L 26D

T5000 & TF5000 Rim Type
 T5000V & TF5000V Vertical Rod
Fire and Non-Fire Exit Devices
 ANSI A156.3 Grade 2 Selector Chart



<p style="text-align: center;">SINGLE DOOR</p>  <p>Vertical rod type or Rim type Surface applied 2 point lock. Surface application.</p>	<p style="text-align: center;">PAIRS OF DOORS WITHOUT MULLION</p>  <p>2 Vertical rod type Surface applied 2 point locking both doors. Each door active same direction. Do not use with overlapping astragal.</p>
<p style="text-align: center;">PAIRS OF DOORS WITH MULLION</p>  <p>2 Rim type with mullion Two independent active doors with full double door openings when required. Same direction.</p>	<p style="text-align: center;">PAIRS OF DOORS WITHOUT MULLION</p>  <p>1 Vertical rod and 1 rim type Both devices are surface applied. A coordinator and overlapping strike is recommended.</p>
<p style="text-align: center;">PAIRS OF DOORS WITHOUT MULLION</p>  <p>2 Vertical rod type Double egress surface applied. 2 point locking both doors opposite directions.</p>	<p style="text-align: center;">HANDING</p>  <p>CAL-ROYAL PRODUCTS, INC. 6605 FLOTILLA ST, COMMERCE, CA 90040 U.S.A. TEL: (323) 888-6601 FAX: (323) 888-6699 Website: cal-royal.com • Email: sales@cal-royal.com</p>

4400 Series Rim Type Panic Exit Device



LIFETIME WARRANTY

MEETS
The Buy American Act



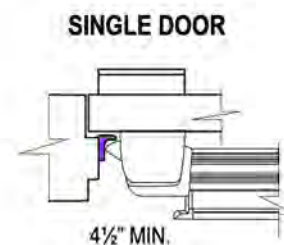
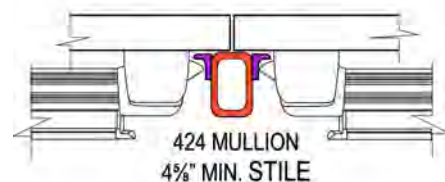
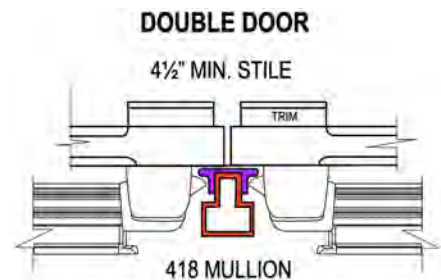
Specifications

For Doors.....	1 3/4" thick standard. 4 1/2" minimum stile width required for single or double door application using standard 440 strike and pull lever, thumbpiece and escutcheon trims
Chassis.....	Non-ferrous Alloy. (Panic Grade)
Cover.....	Non-ferrous Alloy. Covers stock hollow metal doors with 161 cut out
Mounting.....	Furnished with wood and machine screws. Available thru-bolts on request
Hand.....	Handed, Reversible, Specify handing for convenience
Latch Bolt.....	Stainless Steel 3/4" throw
Spring.....	Stainless Steel throughout
ANSI Standard.....	A156.3, Grade 2
Cross Bar.....	1" Dia. Steel, 0.058" thick for 36" or 48" wide doors
Strike.....	Roller type
Dogging Feature.....	Allen-type key furnished standard
Mullion.....	Available
UL and ULC Listed.....	4400 Series for panic
Finish.....	US26D Satin Chrome, Dark Bonze Duranodic (DURO)
Door Size.....	4400EO36 for 36" doors 4420EO48 for 48" doors

DIMENSIONS

Touchbar height to finished floor	36 1/2" (927 mm) at center
Latch height to finished floor	41" (1041 mm)
Touchbar projection	
Neutral	4 3/4" (121 mm)
Depressed	3" (76 mm)
Main case	8 1/2" x 2 5/8" x 2" (216 mm x 67 mm x 51 mm)
End case	4 7/8" x 2 1/8" (124 mm x 54 mm)
Cross Bar Length	30" for 36" door, 42" for 48" door

4 1/2" Minimum Stile Requirements



Trim Selection

ESCUTCHEON LEVER DESIGN

CONSTRUCTION

- Rigid, non clutch mechanism.
- Thrubolted design.
- Non-handed design. Easily field reversible.
- Hardened steel heavy duty tailpiece.
- Standard 6-Pin Schlage "C" keyway rim cylinder included.



ESCUTCHEON DIMENSIONS

2 3/4" width X 8 1/2" length. Lever length: 4 3/4".

Fits and covers 2 1/8" 161 cutout



ESC44-00 or
ICESC4400 or
ICSCESC4400

ENTRANCE
 Rigid Entrance, key locks
 or unlocks escutcheon trim
ANSI FUNCTION (63)
 Operates as classroom function

ESC44-30

PASSAGE
 Trim always operable and free
ANSI FUNCTION (62)

ESC44-40

DUMMY
 Dummy Escutcheon trim
ANSI FUNCTION (10)

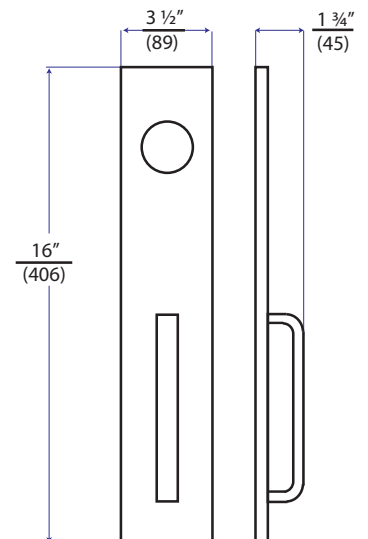
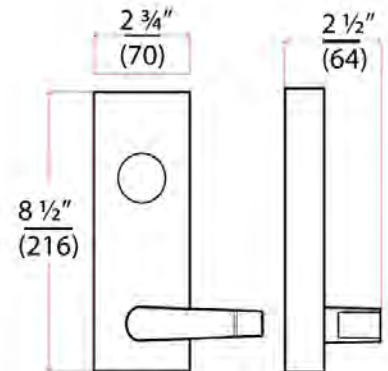
THUMBPIECE TRIM

THP4400 or
ICTHP4400
ICSCTHP4400

ENTRANCE
 Key locks or unlocks thumbpiece.
 (Operates as classroom function)
ANSI Function – 63

THP4430

PASSAGE
 Trim always operable and free
ANSI FUNCTION (62)



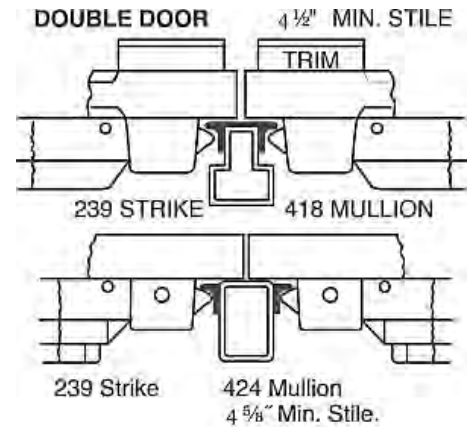
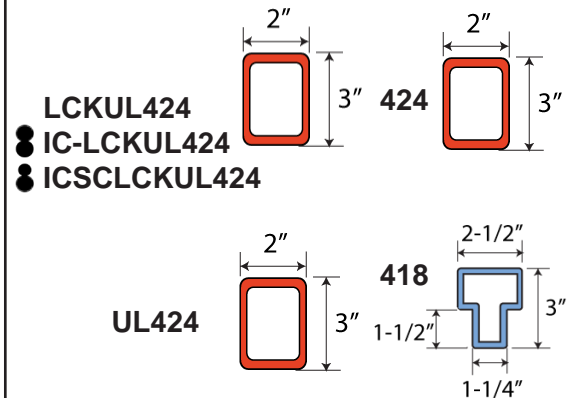
❖ ESCUTCHEON AND THUMBPIECE ❖

DOOR THICKNESS: Standard 1 3/4"
FINISHES: US26D Satin Chrome, DURO

KEYWAY: 6 pin solid brass "C" keyway Rim Cylinder standard.
 Optional: Sargent LA-LB-LC and Kwikset.

- **(IC) INTERCHANGEABLE CORE:** Interchangeable Core locks will accept compatible 6 or 7 pin cores with BEST, FALCON and ARROW.
- **(ICSC) INTERCHANGEABLE CORE:** Indicates function available with Schlage Full Size Format Interchangeable Core.

Removable and Lockable Mullions



MODEL #	DESCRIPTION
NON-FIRE RATED APPLICATIONS	
418	Removable extruded aluminum mullion includes top and bottom retainer supplied as a stock 96" for non-fire rated applications.
FIRE-RATED APPLICATIONS	
424	Fire Exit Mullion. 2" x 3" x 8' steel tubing round corner, iron construction with iron top and bottom retainers. To be used with two rim type devices on two independent active doors with full double door openings.
UL424	UL-Listed Fire Exit Mullion. 2" x 3" x 8' steel tubing round corner, iron construction with iron top and bottom retainers. To be used with two rim type devices on two independent active doors with full double door openings.
LCKUL424	Lockable. UL-Listed Fire Exit Mullion. 2" x 3" x 8' steel tubing round corner, iron construction with iron top and bottom retainers. To be used with two rim type devices on two independent active doors with full double door openings. Schlage C keyway.
IC-LCKUL424	Lockable. UL-Listed Fire Exit Mullion. 2" x 3" x 8' steel tubing round corner, iron construction with iron top and bottom retainers. To be used with two rim type devices on two independent active doors with full double door openings. Interchangeable core locks will accept compatible 6 or 7 pin cores with BEST, FALCON and ARROW .
ICSCCLKUL424	Lockable. UL-Listed Fire Exit Mullion. 2" x 3" x 8' steel tubing round corner, iron construction with iron top and bottom retainers. To be used with two rim type devices on two independent active doors with full double door openings. Function available with Full size format, Schlage Interchangeable Core.
ACCESSORIES	
418 BRACKETS	Top and bottom brackets with screw for 418 mullion
424 BRACKETS	Top and bottom brackets with screw for 424 mullion
UL424 BRACKETS	Top and bottom brackets with screw for UL424 mullion

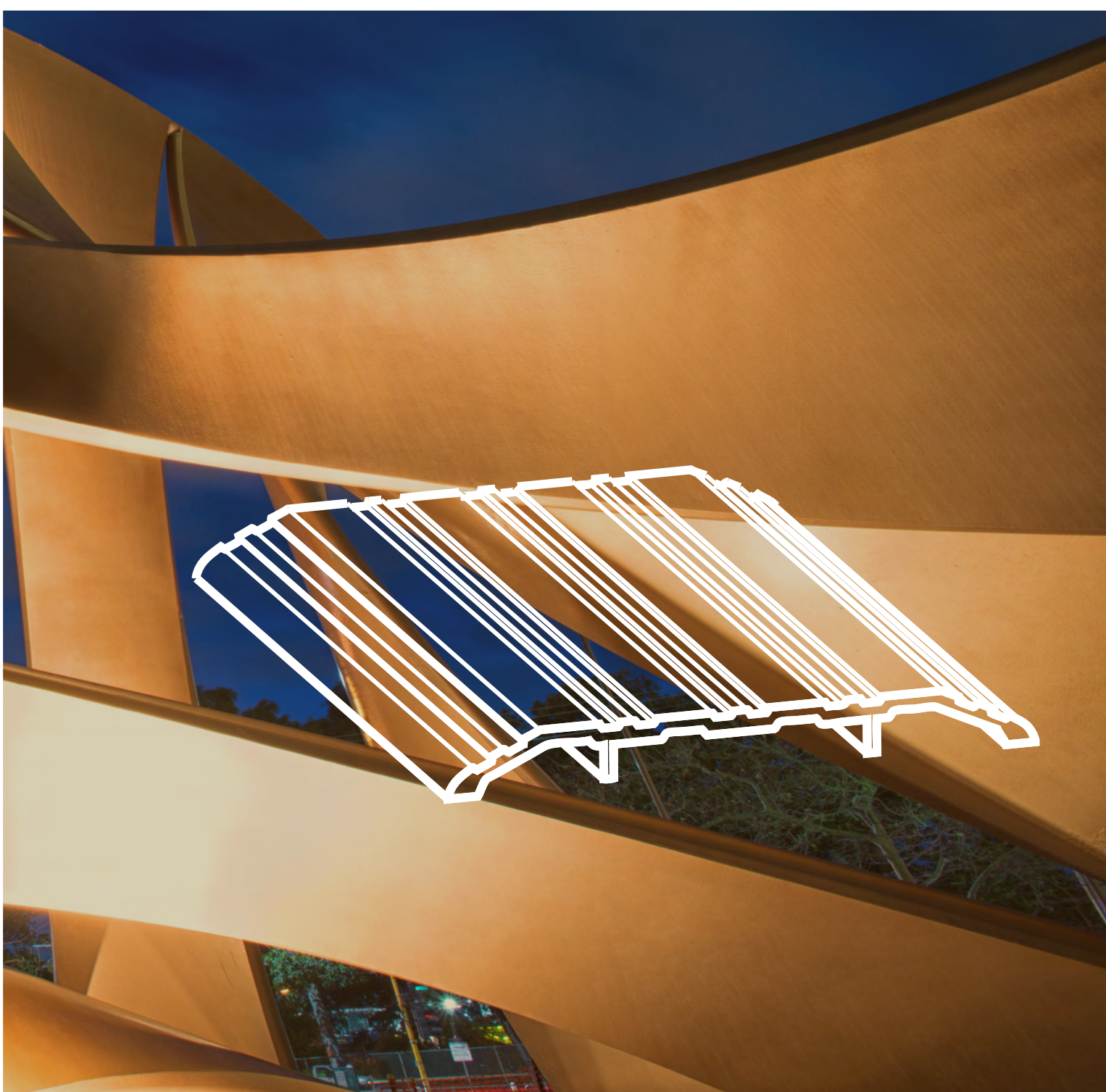


THRESHOLDS





THRESHOLDS



THRESHOLDS



TABLE OF CONTENTS

I. CARPET THRESHOLDS

7/16" H x 1-3/4" W.....	1
7/16" H x 4" W.....	1

II. DOOR TOP WEATHER STRIP

2-1/2".....	1
-------------	---

III. SADDLE THRESHOLDS

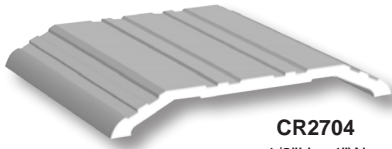
1/2"H x 4"W.....	1
1/2"H x 5"W.....	1
1/2"H x 6"W.....	1
1/2"H x 7"W.....	1
1/4"H x 4"W.....	1
1/4"H x 5"W.....	1
1/4"H x 6"W.....	1
1/4"H x 7"W.....	1

IV. SPECIAL PURPOSE THRESHOLDS

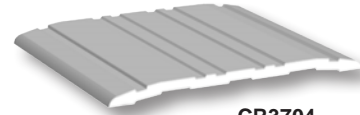
3-1/2".....	1
-------------	---

V. THRESHOLD COMPARATIVE CHART..... 2

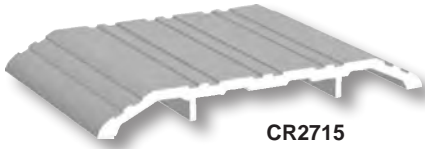
SADDLE THRESHOLDS



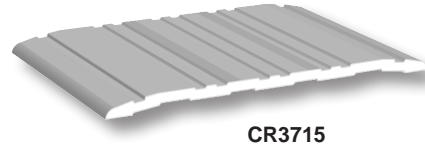
CR2704
1/2"H x 4"W



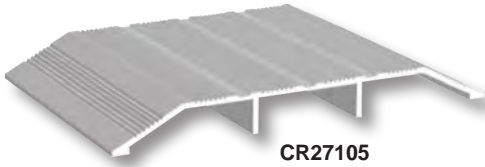
CR3704
1/4"H x 4"W



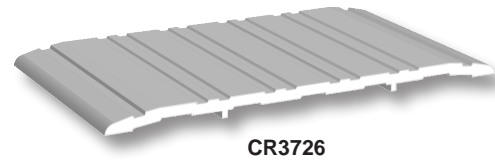
CR2715
1/2"H x 5"W



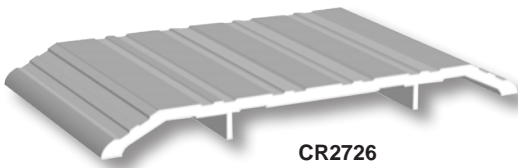
CR3715
1/4"H x 5"W



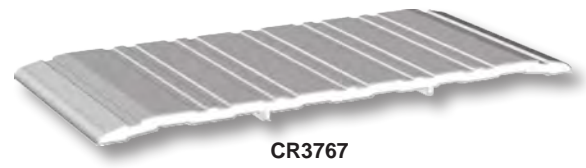
CR27105
1/2"H x 5"W



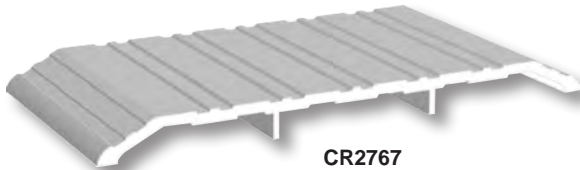
CR3726
1/4"H x 6"W



CR2726
1/2"H x 6"W



CR3767
1/4"H x 7"W



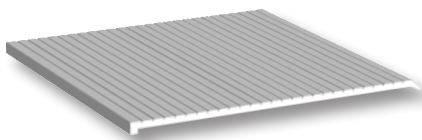
CR2767
1/2"H x 7"W



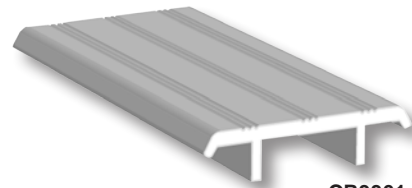
Barrier-free
over carpet

3 HR POSITIVE
PRESSURE

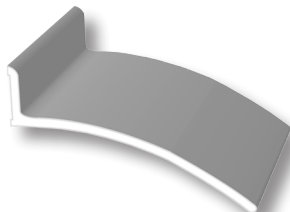
CARPET / SPECIAL PURPOSE THRESHOLDS / DOOR TOP WEATHERSTRIP



CR4243
3-1/2" WIDE SILL NOSING



CR3361
7/16" H x 1-3/4" W CARPET THRESHOLD



CR4462
2-1/2" DOOR TOP WEATHER STRIP



CR33641
7/16" H x 4" W CARPET THRESHOLD

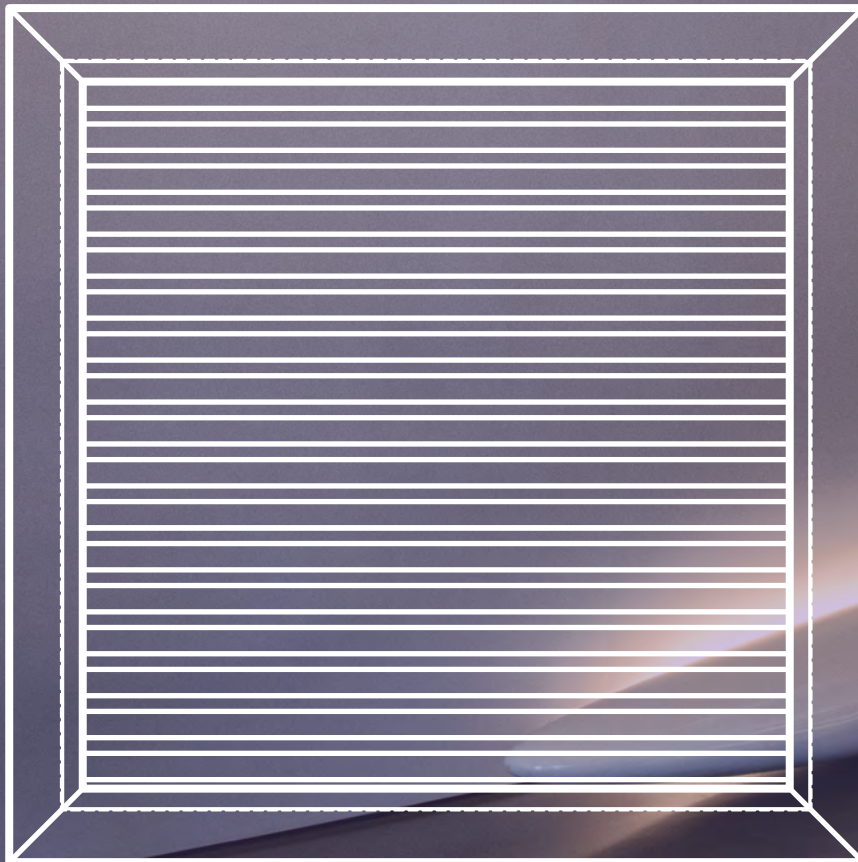
Finishes: Aluminum, Dark Bronze. Other finishes available upon request.

THRESHOLD COMPARATIVE CHART

SIZE	CAL-ROYAL	HAGER	REESE	NATIONAL	PEMKO	ZERO
SADDLE THRESHOLDS						
1/2"H X 4"W	CR2704	404S	S424A/D	424E	170A	654
1/2"H X 5"W	CR27105	412S	S425A/D	325	1710A	655
1/2"H X 5"W	CR2715	412S	S425A/D	325	171A	655
1/2"H X 6"W	CD2726	405S	S426A/D	426E	172A	656
1/2"H X 7"W	CR2767	416S	S427A/D	427E	176A	657
1/4"H X 4"W	CR3704	403S	S404A/D	413	270A	544
1/4"H X 5"W	CR3715	413S	S405A/D	513	271A	545
1/4"H X 6"W	CR3726	417S	S406A/D	613	272A	546
1/4"H X 7"W	CR3767	430S	S407A/D	713	276A	547
CARPET SPECIAL PURPOSE THRESHOLD						
7/16"H X 1 3/4"W	CR3361	505S	S565A/D	414	236A	1682
7/16"H X 4"W	CR33641	506S	S563A/D	404	2364A	1684
OVERHEAD RAIN DRIP WEATHERSTRIP 2 1/2"W	CR4462	810S	R201A/D	16A	346C	142
SILL NOSING	CR4243				324A	



LITES + LOUVERS





LITES + LOUVERS



LITES + LOUVERS



TABLE OF CONTENTS

I. GLASS

TEMP, Tempered Glass	2
WS, PROTECT3™ Wired Safety Glass, Fire-Rated	2
PPF, Pyran® Platinum F, Fire and Safety Rated.....	2

II. LITES / KITS

*45-180 MINUTE FIRE-RATED STEEL VISION KITS**

10VL, Vision Lite Standard Profile for 1" Thick Glass

Frames..... 1

SVL, Vision Lite Low Profile..... 1

VL, Vision Lite Standard Profile for 3/16" to 1/4" Thick Glass

Frames..... 1

III. LOUVERS

*60-90 MINUTE FIRE-RATED FUSIBLE LINK LOUVERS**

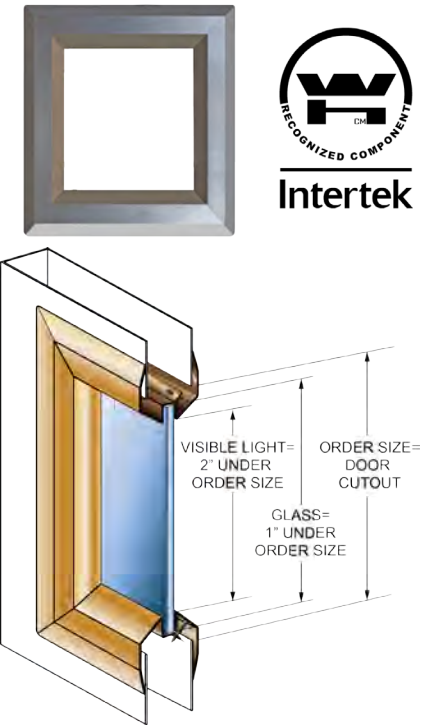
FLLV, Adjustable Fusible Link Louvers..... 4

*90 MINUTE FIRE-RATED STEEL LOUVERS**

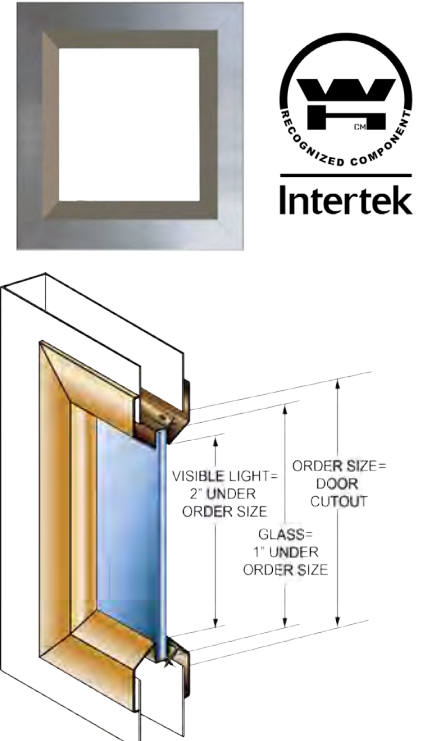
VLV, Inverted Y-Blade Louvers..... 3

YLV, Divided Reverse "Y" Blade Louvers..... 3

45-180 Minute Fire-Rated Steel Vision Kits*
SVL , Vision Lite Low Profile

ILLUSTRATION	SPECIFICATIONS
	<p>For use in fire rated door applications under positive and neutral pressure. Intertek testing certification in compliance to NFPA 252 (2000), UL 10C (2009), CAN / ULS104 (2010), NFPA (201) and CSI CODE 0870 00.</p> <p>Specifications:</p> <ul style="list-style-type: none"> - Low Profile Beveled Vision Lite - 20 Gauge Cold Rolled Steel - Mitered welded corners with counter sunk mounting holes - Single side attaching with matching mounting screws included - For use with $\frac{3}{16}$" to $\frac{1}{4}$" glass thickness - Designed for use with 1 $\frac{3}{4}$" doors only - Baked on powder coat finish - Color: Standard Bronze - Fastener: # 8 x $\frac{7}{8}$" flathead phillips head SMS <p>Kit Options:</p> <ul style="list-style-type: none"> - Also available as a KIT or bundle which comes with the Frame, Glass and Glazing Tape. - Available glass types are Non-Fire Rated Tempered ($\frac{1}{4}$"), Fire Rated PROTECT3™ Wired Safety ($\frac{1}{4}$") and Pyran® Platinum F Glass ($\frac{3}{16}$") <p>Notes:</p> <ul style="list-style-type: none"> - Order size is equal to opening size - Visible vision opening is 2" under order size - Glass size dimension is 1" under complete order size - Follow all door manufacturer's instructions for use and installation of all products <p>* Refer to price list for list of fire rated sizes * Custom sizes are available. See price list.</p>

VL , Vision Lite Standard Profile for $\frac{3}{16}$ " to $\frac{1}{4}$ " Thick Glass Frames
10VL , Vision Lite Standard Profile for 1" Thick Glass Frames

ILLUSTRATION	SPECIFICATIONS
	<p>For use in fire rated door applications under positive and neutral pressure. Intertek testing certification in compliance to NFPA 252 (2000), UL 10C (2009), CAN/ULS104 (2010), NFPA (201) and CSI CODE 0870 00.</p> <p>Specifications:</p> <ul style="list-style-type: none"> - Standard Profile Beveled Vision Lite - 20 Gauge Cold Rolled Steel - Mitered welded corners with counter sunk mounting holes - Single side attaching with matching mounting screws included - For use with $\frac{3}{16}$" to $\frac{1}{4}$" glass thickness - Also available for 1" glass thickness (10VL Series) - Designed for use with 1 $\frac{3}{4}$" doors only - Baked on powder coat finish - Color: Standard Bronze - Fastener: # 8 x $\frac{7}{8}$" flathead phillips head SMS <p>Kit Options:</p> <ul style="list-style-type: none"> - Also available as a KIT or bundle which comes with the Frame, Glass and Glazing Tape. - Available glass types are Non-Fire Rated Tempered ($\frac{1}{4}$"), Fire Rated PROTECT3™ Wired Safety ($\frac{1}{4}$") and Pyran® Platinum F Glass ($\frac{3}{16}$") <p>Notes:</p> <ul style="list-style-type: none"> - Order size is equal to opening size - Visible vision opening is 2" under order size - Glass size dimension is 1" under complete order size - Follow all door manufacturer's instructions for use and installation of all products <p>* Refer to price list for list of fire rated sizes * Custom sizes are available. See price list.</p>

Tempered, Pyran and Wire Shield

Glass for Low & Standard Profile Lite Kits

Tempered Glass (TEMP)

- Clear wire free glass recommended for non-fire rated applications
- Heat treated clear safety glass that breaks into small particles. Glass cannot be cut after manufacturing.
- Thickness: ¼" (6mm)
- Light transmission: 86% approx
- Minimum size: 2" x 2"
- Maximum sheet size: 88" x 118"
- Fire Rating: Non-Fire Rated

WireShield (WS)

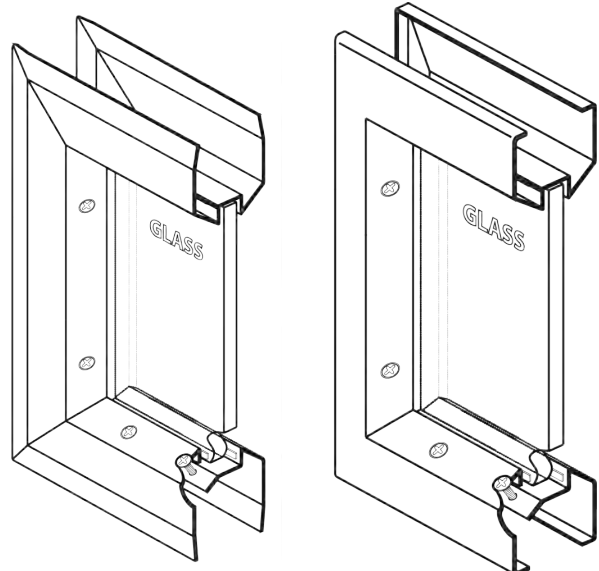
(PROTECT3™ Wired Safety Glass, Fire-Rated)

- Fire-Rated up to 90 minutes with hose stream
- UL classified and UL labeled
- Impact-Safety rated to ANSI Z97.1 and CPSC 16CFR1201 CAT I and II
- Passes 400 ft-lb impact tests
- Annealed single glazing with safety film applied to one side
- Passes air blast testing - minimum Level 3 @ 4.0PSI
- Embedded ¾" x ¾" wire mesh
- Light Transmission: 86% approx
- Thickness: ¼" (6 mm)
- Minimum size: 4" x 4"
- Maximum sheet size: 36" x 84"

Pyran (PPF)

(PYRAN® PLATINUM F, Fire & Safety Rated)



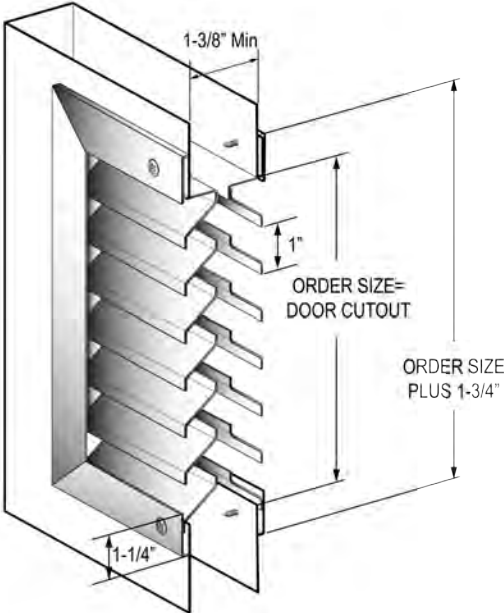
- Fire-Rated up to 90 minutes (180 minutes in doors) with required hose stream test
- Fire and Safety-Rated Glass Impact / Safety Rated to ANSI Z97.1 and CPSC 16CFR1201 CAT II
- Thickness: 3/16" (5mm). Weight: 2.5 lbs / ft²
- UL labeled standard, 3/16" thick glass ceramic.
- Surface applied heavy duty safety film. Install in fire listed and labeled vision lite frames.
- Light transmission: 80% approx.
- Minimum size: 4" x 6"
- Maximum sheet size: 43" x 77"





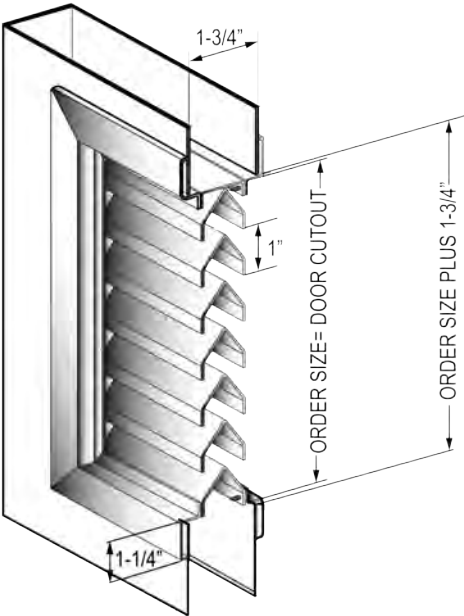
LISTINGS	Product	Rating	Application	Max Sq In (in ²)	Max Width (in)	Max Height (in)	Stop Height (in)
WS	PROTECT3™ SAFETY WIRED GLASS (WireShield)	Up to 45 min	Doors, Metal	2856	34	84	5/8
		Up to 90 min	Doors, Metal	552	12	46	5/8
		Up to 60 min	Doors, Wood	960	12	80	5/8
		Up to 45 min	Window and Sidelites	4608	48	96	5/8
		Up to 45 min	Transom Lites	3456	96	36	5/8
PPF	Platinum F	Up to 90 min	Other than doors	3422	76	76	5/8
		Up to 90 min	Doors (Non-Temp Rise)	2736	36	76	5/8
		180 min	Doors	100	12	33	1/2

90 Minute Fire-Rated Steel Louvers*

YLV, Divided Reverse "Y" Blade, Inverted Louvers

ILLUSTRATION	SPECIFICATIONS	DIMENSIONS
 	<p>For use in fire-rated door applications under positive and neutral pressure Intertek testing certification in compliance to NFPA 252 (2000), UL 10C (2009), NFPA 252 (2012), CSI CODE 08 90 00 Louvers and Vents</p> <p>Specifications:</p> <ul style="list-style-type: none"> - 18 Gauge cold rolled steel frame and blades - Mitered welded corner frame construction - Divided row "Y" blades spaced at 1" increments with blocked vision design - Counter sunk mounting holes with screws for each side of doors - Minimum door size thickness 1 3/8" - Baked on powder coat finish - Color: Standard Bronze - Fasteners: Phillips pan head screw # 8 x 3/4" <p>Notes:</p> <ul style="list-style-type: none"> - Order size equal to opening size - Follow all door manufacturer's instructions for use and installation of all louver products - Optional Insect screen, see price list <p>* Refer to pricelist for list of fire rated sizes</p>	

VLV, Inverted Y-Blade Louvers

ILLUSTRATION	SPECIFICATIONS	DIMENSIONS
 	<p>For use in fire rated door applications under positive and neutral pressure Intertek testing certification in compliance to NFPA 252 (2000), UL 10C (2009), NFPA 252 (2012), CSI CODE 08 90 00 Louvers and Vents</p> <p>Specifications:</p> <ul style="list-style-type: none"> - 18 Gauge cold rolled steel frame and blades - Mitered welded corner frame construction - Reverse "Y" blades are frame supported at 1" increments, with blocked vision design - Single side mounting for non-corridor exposure with fastening screws included - Designed for use on 1 3/4" doors only - Baked on powder coat finish - Color: Standard Bronze - Fasteners: Phillips pan head screw # 8 x 3/4" <p>Notes:</p> <ul style="list-style-type: none"> - Order size equal to opening size - Follow all door manufacturer's instructions for use and installation of all louver products - Optional Insect screen, see price list <p>* Refer to pricelist for list of fire rated sizes</p>	

60-90 Minute Fire-Rated Fusible Link Louvers

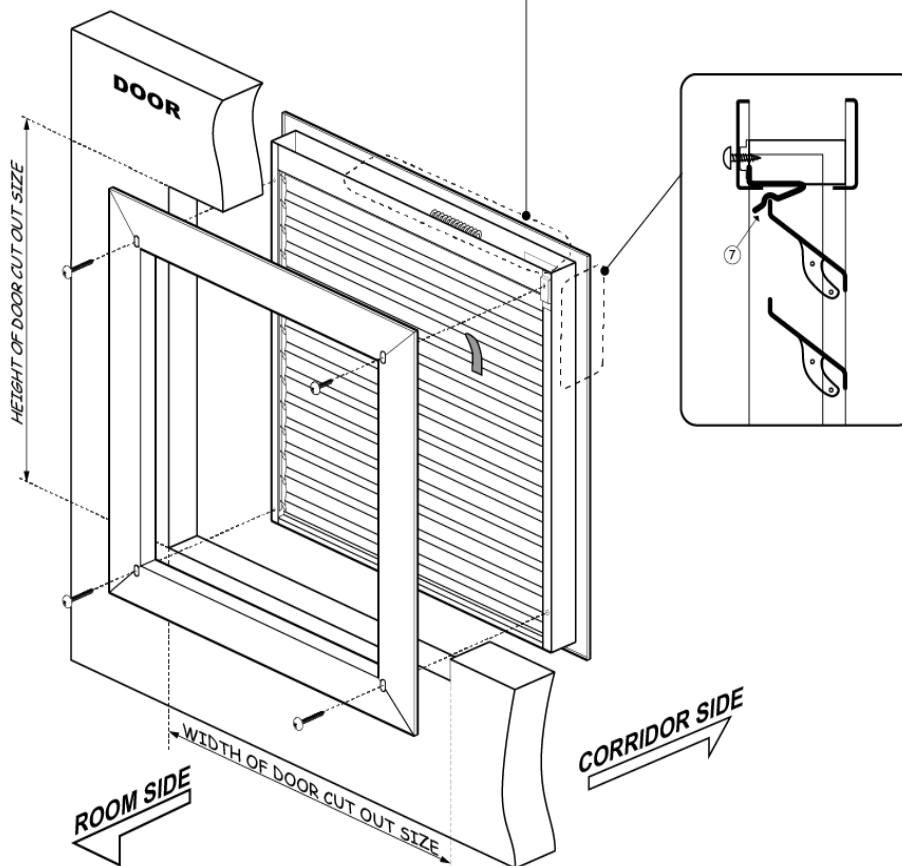
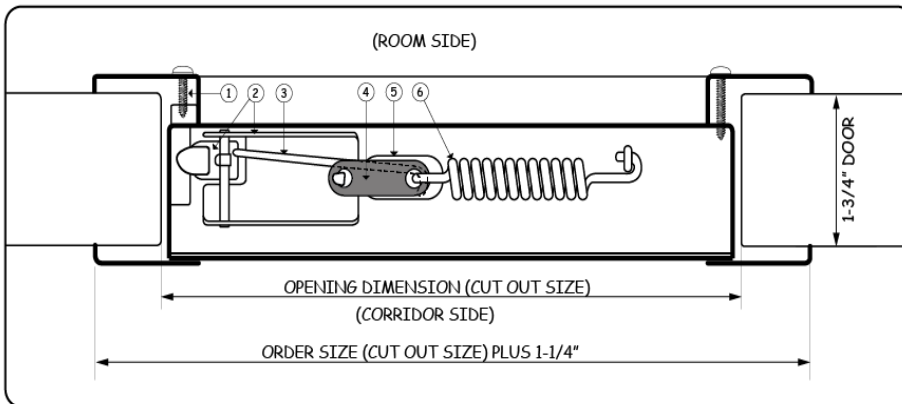
FLLV, Adjustable Fusible Link Louvers

Adjustable Fusible Link Louvers are recommended for use in rooms where ventilation is needed and at the same time isolating the room whenever fire is present. When louver is exposed to heat at 165°F, the fusible link trips and the spring loaded louver blades shut to form an air tight fire and smoke seal.

WHI Listing Mark with a 60-90 Minutes Fire Rating is stamped on the frame of the louvers.

Installation is easy. No need to drill holes for fasteners. All screws are mounted on the room side leaving the corridor side free of fasteners for security purposes.

Fuses are replaceable.



- ① Mounting Screws - # 8 phillips head
(3 x 3/4" LG & 1 x 1/2" LG)
- ② Rocker Arm, Closing Bar and housing
- ③ "S" Hook - .080" Cadmium plated steel
- ④ Fusible link - Design temperature 165° F max
- ⑤ Heat opening - 1/2" x 1"
- ⑥ Tension spring - 3" LG x 1/2" dia x .063" thick Cadmium plated steel.
- ⑦ Flat Spring Clip

Standard Features:

Material: 16 Gauge CRS Frame & Louver Blades

Door: for 1 3/4" Doors only

Fasteners: 3 x 3/4" LG & 1 x 1/2" LG

Finish: Standard Bronze

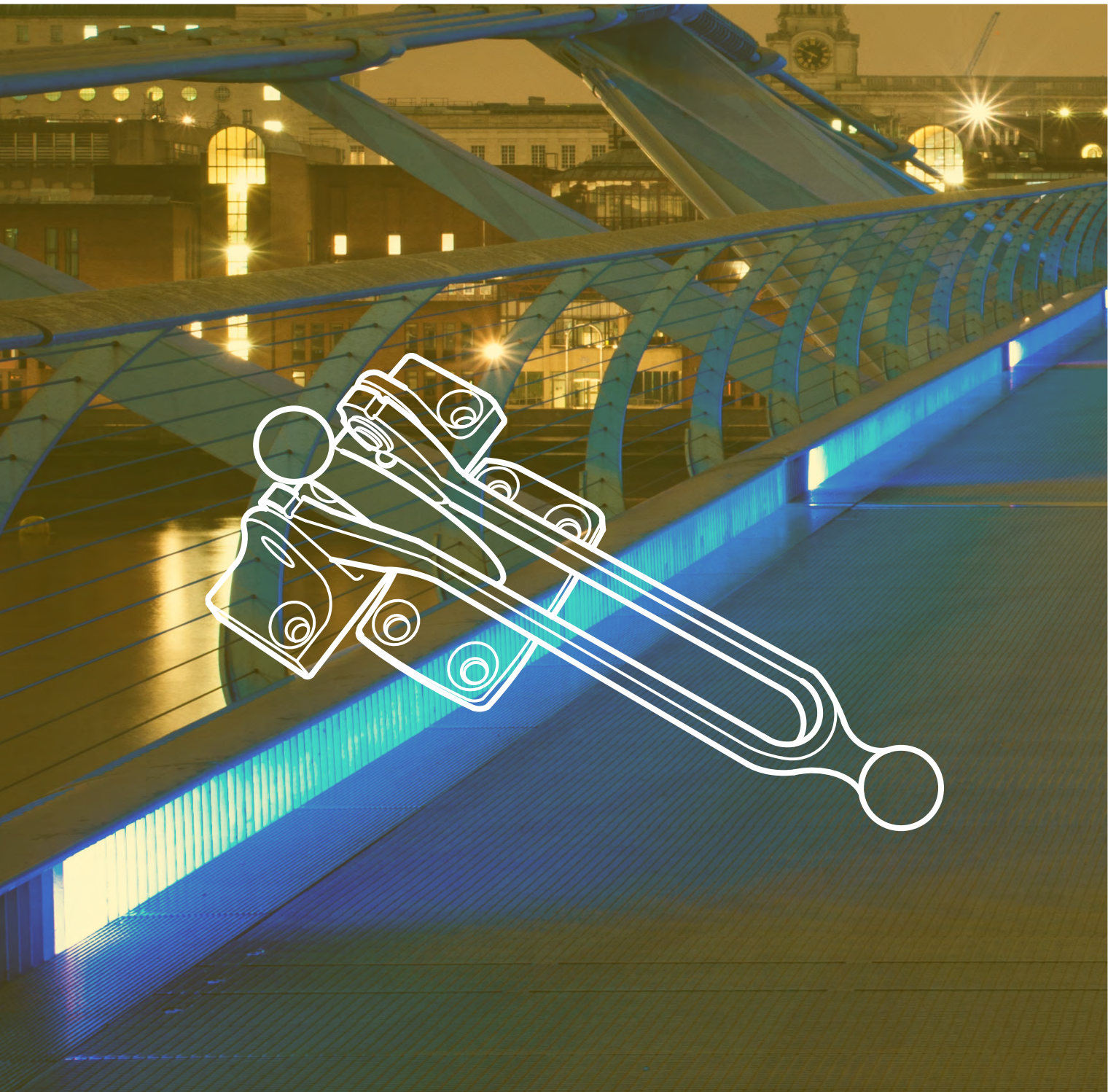
Free Flow Area: 45% free

Construction:

- Welded & mitered corners
- Adjustable blades of 16-gauge CRS
- Cadmium plated steel rivets
- Cadmium plated steel tension spring
- 1 9/16" deep louver assembly
- Optional Insect screens, see price list



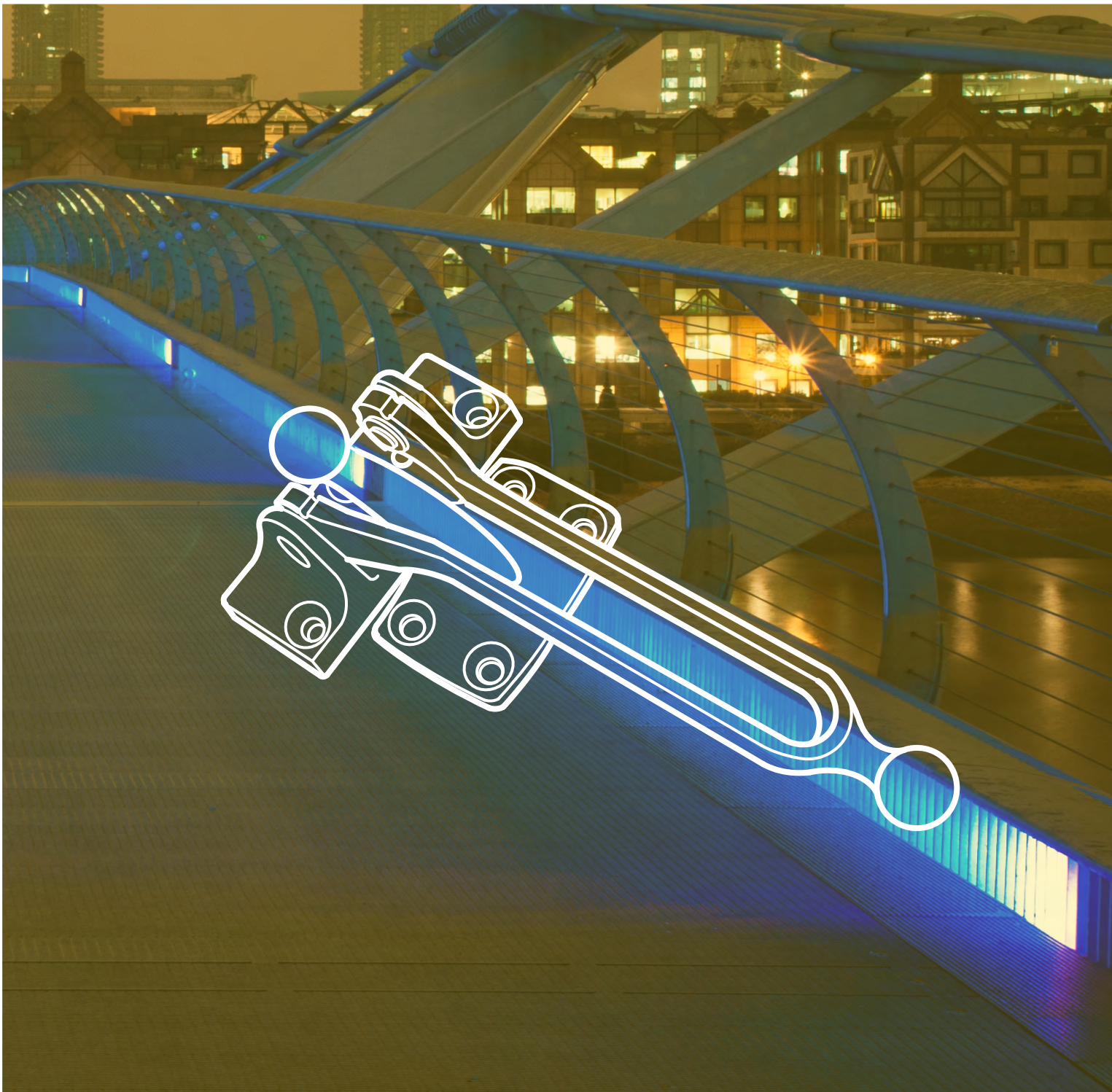
BUILDERS HARDWARE



BUILDERS
HARDWARE



BUILDERS HARDWARE



BUILDERS
HARDWARE

TABLE OF CONTENTS

I. NUMBERS AND LETTERS

Letters, Diecast.....	1
Numbers, Diecast.....	1
Letters A-F, Solid Brass.....	1
Letters, Solid Brass.....	1
Numbers, Solid Brass.....	1

II. MISCELLANEOUS DOOR AND WINDOW HARDWARE

Window Casement Fasteners.....	2
ASA Blank Filler Plate.....	
Door Silencers.....	3
Latch Guard Protectors.....	3
Heavy Duty Roller Catch.....	4

III. STRIKES

Template ASA Strikes.....	2
Extended Lip ANSI Strikes.....	2
Flat Strikes.....	2
Optional T-Strike for ARL-1338.....	4
Security Strikes, Heavy Duty.....	2
Security Strikes, Deadbolts.....	2
Drive in Thimble Strikes.....	3
Strike Filler.....	3
Brass Dust Proof Strikes.....	3
Strike for Privacy SDL.....	11
Strike for MB85R and MB86S.....	13
Strike for FBG6 and FBGEX12.....	14
Strike for MF6341.....	15

IV. KICK / ARMOR AND PUSH/PULL PLATES

Armor Plates.....	4
Kick Plates.....	4
Push Plates.....	4-5
Pull Plates.....	5

V. DOOR PULLS

Solid Bar Round Pulls.....	6
Solid Bar Handle Pulls.....	6
Solid Bar Handle Pulls, Ellipse.....	6
Door Pulls, Heavy Cast Aluminum.....	6

VI. DOOR KNOCKERS, DOOR VIEWERS

Door Knockers, Solid Brass.....	7
Door Knocker with Viewers.....	7
Door Viewers, Brass.....	8
Door Viewers, UL.....	8
Door Viewers, Glass Lens.....	8
Door Viewer Covers.....	9
Electronic Digital Door Viewers.....	9

VII. DOOR GUARDS

Privacy Door Latch.....	9
Solid Brass Chain Door Guards.....	10
Swing Bar Door Guards, Zinc Diecast.....	10
Swing Bar Door Guards, Diecast.....	10
Swing Bar Door Guards, Solid Brass w/ Angle Protector.....	10

VII. DOOR GUARDS

Door Angle Protector.....	10
Door Guard Shim.....	10

VIII. SLIDING DOOR LOCKS

Privacy Sliding Door Locks, Heavy Duty.....	11
Passage Sliding Door Locks, Heavy Duty.....	11
Privacy Sliding Door Locks.....	11-12
Passage Sliding Door Locks.....	11-12
Pocket Door Locks, Privacy.....	12
Pocket Door Locks, Dummy.....	12

IX. SECURITY BOLTS

Decorative Dutch Door Bolts, Solid Brass.....	13
Surface Bolts, Brass.....	13
Surface Bolts, Decorative.....	13
Surface Bolts, Decorative Heavy Duty Angle Strike.....	13
Surface Bolt, UL-Listed 8".....	15
Surface Mounted, UL-Listed 8", 12".....	15

X. FLUSH BOLTS

AUTO FLUSH BOLTS

Metal Door Automatic Flush Bolts.....	16
Wood Door Automatic Flush Bolts.....	16

COMBINATION FLUSH BOLTS

Metal Door Self-Latching Flush Bolts.....	16
Wood Door Self-Latching Flush Bolts.....	16

SECURITY FLUSH BOLT

Solid Brass Flush Bolt, Round Ends.....	13
Solid Brass Flush Bolt, Square Ends.....	13
Flip Style Mortise Flush Bolt, 18" Extension Rods.....	14
Flip Style Mortise Flush Bolts.....	14
Residential Flush Bolts.....	14
Single Route Extension Flush Bolt, Solid Brass.....	14
Single Route Flush Bolt, Solid Brass.....	14
Lever Extension Flush Bolts, UL-Listed Solid Brass.....	15
Commercial Manual Flush Bolt, Stamped Brass.....	15

UNIVERSAL FLUSH BOLTS.....

	17
--	----

XI. DOOR COORDINATORS

Coordinators with Filler Bars, UL.....	18
Gravity Coordinators, UL.....	18
Carry Bars.....	18
Mounting Brackets.....	18

XII. HANDRAIL BRACKETS

Handrail Brackets, Jumbo Heavy Duty.....	19
Handrail Brackets, Diecast.....	19
Handrail Brackets, Heavy Duty Cast Aluminum.....	19
Handrail Brackets, Heavy Duty Cast.....	19
ADA-Approved, Handrail Bracket, Heavy Duty Cast.....	19

XIII. DOOR STOPS

WALL DOOR STOPS / BUMPERS

Concave Wall Stops, Stainless Steel.....	20
Convex Wall Stops, Stainless Steel.....	20



TABLE OF CONTENTS

XIII. DOOR STOPS

WALL DOOR STOPS / BUMPERS

Convex Wall Stops, Solid Brass.....	20
Commercial Grade Wall Door Stops.....	20
Roller Stops, Solid Brass.....	20
Rigid Door Stops, Solid Brass.....	21
Flexible Door Stops.....	21
Rigid Door Stops, Cast.....	21
Flexible Snap on Door Stops, Heavy Duty.....	21
Flexible Door Stops, Heavy Duty.....	21
Rigid Door Stops, Diecast Jumbo.....	21
Wall Door Stops, Stainless Steel.....	21-22

FLOOR DOOR STOPS

Commercial Grade Floor Door Stops, Heavy Duty.....	22
Security Door Stops.....	22
Goose Neck Floor Stops.....	22-23
Small Goose Neck Floor Stops.....	23
Dome Stops, Floor.....	23
Dome Stops, Heavy Duty Cast Brass.....	23
Risers for Dome Stops.....	23
Stainless Steel, Floor Stops.....	24

DOOR HOLDER/STOPS

Kick Down Door Holders, Zinc Diecast.....	24
Kick Down Door Holders, Solid Brass.....	24-25
Vinyl Rubber Stops.....	24-25
Kick Down Door Holders, Cast Iron.....	25
Commercial Grade Door Stops, Heavy Duty.....	25

HINGE PIN DOOR STOPS

Hinge Pin Stops, Heavy Duty.....	26
Hinge Pin Stops, Light Duty.....	26
Hinge Pin Door Stops, Deluxe.....	26
Hinge Pin Door Stops, Jumbo.....	26
Hinge Pin Door Stops, Jumbo Heavy Duty.....	26
Hinge Pin Door Stops, Residential.....	26

XIV. CLOSET HARDWARE

CLOSET RODS & SUPPORTS

Adjustable Closet Rods.....	27
Adjustable Shelf and Rod Support.....	27
Adjustable Shelf Support Only.....	27
Heavy Duty Shelf & Rod Support.....	27
Single Shelf & Rod Support.....	27
Oval Closet Rods.....	27

POLE SOCKETS

Closet Pole Sockets.....	28
Steel Closet Pole Sockets.....	28
Wood Closet Pole Sockets.....	28

CATCH AND LATCHES

Adjustable Ball Catch with Full Lip.....	28
Adjustable Ball Catch, Solid Brass.....	28
Adjustable Drive-In Ball Catches.....	29
Jumbo Roller Catch.....	28
Adjustable Roller Catch.....	29
Bullet Catches.....	29

XIV. CLOSET HARDWARE

CATCH AND LATCHES

Magnetic Dual Triple Pole Catch, Heavy Duty.....	30
Magnetic Triple Pole Catch.....	30
T-Strike for Bullet Catch.....	29

PULLS

Solid Brass Drawer Pulls.....	29
Bi-Fold Ball Knob Pulls.....	30
Bi-Fold Ball Knob Back Plates.....	30
Bi-Fold Concave Knob Beveled Edge Pulls.....	30
Drive in Finger Pulls.....	30

COAT AND HAT HOOKS.....

XV. DOUBLE-ACTING FLOOR SPRING HINGE..... 31

XVI. CRASH CHAIN AND BOLTS

Single Spring Crash Chain Doors.....	31
Super Heavy Duty Chain Doors.....	31
24" Chain Bolt Hardened Steels.....	31

XVII. SURFACE OVERHEAD DOOR HOLDER & STOPS

CR550 Series.....	32
-------------------	----

XVIII. SIGNS

HANDICAP RESTROOM SIGNS (ADA) W/ BRAILLE

Boys Signs.....	33-34
Girls Signs.....	33-34
Men Signs.....	33-34
No Smoking Signs.....	33-34
Unisex Restroom Signs.....	33-34
Women Signs.....	33-34
Exit Signs.....	33
Restroom Signs.....	33

DECALS AND STICKERS

Blue insignia handicap logos.....	34
Blue square plastic sign & handicap logos.....	34
These doors ... unlocked during business hours.....	34
These doors ... unlocked when building is occupied..	34
This door... unlocked during business hours.....	34
This door ... unlocked when building is occupied.....	34

CALIFORNIA-APPROVED RESTROOM SIGNS W/ BRAILLE

Exit Signs.....	35
Handicap Accessible Signs.....	35
Men Signs.....	35
Restroom Signs.....	35
Unisex Restroom Handicap Signs.....	35
Women Signs.....	35

XIX. SLIDING DOOR HARDWARE

STAINLESS STEEL DOOR HARDWARE (SDH SERIES)

SDH Series for Wood Doors.....	36
SDH Series for Wood and Glass Doors.....	36

BLACK BARN DOOR HARDWARE (BDH SERIES)

BDH Series for Wood Doors.....	37
--------------------------------	----

NUMBERS AND LETTERS

ILLUSTRATION	ITEM	SIZE	ITEM #	FINISH
	Solid Brass Numbers	Height: 2" Thickness: 3/16" Width: Varies	SBN2	US3
		Height: 3" Thickness: 3/16" Width: Varies	SBN3	US15, 3, US10B
		Height: 4" Thickness: 3/16" Width: Varies	SBN4	US15, 3, US10B, 26
		Height: 8" Thickness: 9/32" Width: Varies	SBN8	US3
	Diecast Numbers	Height: 5" Thickness: 7/32" Width: Varies	ZN5	US3, 15, US10B
	Solid Brass Letters	Height: 2" Thickness: 7/32" Width: Varies	SBL2	US3
		Height: 2" Thickness: 7/32" Width: Varies	SBL3	US3 (A-Z), US15(A-H), 10B (A-F)
		Height: 4" Thickness: 7/32" Width: Varies	SBL4	US3 (A-Z), US15,10B, 26 (A-F)
	Diecast Numbers (0-9) and Letters (A-F)	Height: 4" Thickness: 3/32" Width: Varies	PN20BK	Black
			PN20US3	US3

Individually Poly-bagged. Packed with Flat Head Screws

Specification Sheets available for submittal purposes at www.cal-royal.com. Click on "Specification Sheets Image"

MISCELLANEOUS DOOR AND WINDOW HARDWARE

ILLUSTRATION	ITEM	SIZE	ITEM #	FINISH
	<p>Window Casement Fasteners, Solid Brass</p> <ul style="list-style-type: none"> ▶ Packed with screws and two strikes ▶ Conforms to ANSI / BHMA 156.16 ▶ Architectural finishes available 	<p>1 5/8" x 7/8" Projection: 1 3/8"</p>	SBCF222	US3, 26, 19, US15, 5, US15A, 10B, US26D
		<p>2 1/16" x 1 1/16" Projection: 1 7/8"</p>	SBCF333	
	<p>Door / Window Casement Security Latch Lock</p>	<p>Bolt Projection: 1/2" Escutcheon Dimension: 7/8" x 1 11/16" Thumbturn: 5/8" x 1" Strike: 7/8" x 1 3/4"</p>	DL402361	US10B, 26, US15, 26D, US3, 5
	<p>Template ASA Strike</p>	<p>4 7/8" x 3 3/8" x 1 1/4"</p>	ASA478	US32D US26, 10, US3, 10B
	<p>Stainless Steel</p>		ASAST	US26D, 26, US10, 3, US10B
	<p>Template ASA Strike, Steel Base</p>			
	<p>Extended Lip ANSI Strike, Stainless Steel</p>	<p>4 7/8" x 3 3/8" x 1 1/4", 1 3/4" Lip Extension from Screw Center Line</p>	EXASA-175	US32D, Duro
	<p>Flat Strike, Stainless Steel</p> <ul style="list-style-type: none"> ▶ To be used for pair of doors on inactive door, not to cut out the flat astragal ▶ Packed with screws 	<p>4 7/8" x 3 3/8" x 1 1/4", 4 1/8" CTC</p>	FLAST-46	US32D, 10B
	<p>Heavy Duty Security Strike</p> <ul style="list-style-type: none"> ▶ Includes: 2 pcs #10 x 2 1/2" and 2 pcs #10 x 3/4" Wood Screws 	<p>3 5/8" x 1 7/8"</p>	SDTP3625	US3, 26, 15, US10B, 15A
	<p>Deadbolt Security Strike</p> <ul style="list-style-type: none"> ▶ Includes: 2 pcs #12 x 3" 2 pcs #12 x 1 1/4" wood screws 	<p>3 5/8" x 1 1/4"</p>	SS114358	US3

Specification Sheets available for submittal purposes at www.cal-royal.com. Click on "Specification Sheets Image"

MISCELLANEOUS DOOR AND WINDOW HARDWARE

ILLUSTRATION	ITEM	SIZE	ITEM #	FINISH
	Drive In Thimble Strike <ul style="list-style-type: none"> ▶ Steel Construction ▶ ZINC Plated ▶ With 1 1/4" Screw 	Length: 1 1/8" Diameter: 1"	DTS80	Zinc
	ASA Blank Filler Plate Used for Door Frames	1 1/4" x 4 7/8"	ASA-FP	---
	Strike Filler Used for Door Frames	1 1/4" x 4 7/8" 1 5/8" at Lip Thickness: 10 Ga.	SF	---
	Door Silencer for Metal Frames <ul style="list-style-type: none"> ▶ Absorb Shock and Reduce Noise of Door Closing ▶ Prevents door rattling ▶ Provides tension for door latches / locks ▶ Conforms to ANSI / BHMA 156.16, L03011 	Length: 1/2" Diameter: 1/2"	DSM21	Rubber
	Door Silencer for Wood Frames <ul style="list-style-type: none"> ▶ Absorb Shock and Reduce Noise of Door Closing ▶ Prevents door rattling ▶ Provides tension for door latches / locks ▶ Conforms to ANSI / BHMA 156.16, L03021 	Length: 3/4" Base: 3/8" x 3/4"	DSW85	Rubber
 LPG2 GJLPG2	Latch Guard Protector <ul style="list-style-type: none"> ▶ Universal latch guard for out-opening doors ▶ Fits most single, double and mortise locks ▶ Conforms with ANSI / BHMA 156.2 Series 4000 	2 7/8" x 11"	LPG2	USP, Alum Duro, Gold
		3" x 11 1/2"	GJLPG2	US32D
	Brass Dust Proof Strike <ul style="list-style-type: none"> ▶ Spring tension calibrated for positive closing and eliminates binding ▶ Can be locked in up position ▶ Conforms to ANSI / BHMA 156.16 L14011 	Face Plate: 1 3/8" x 2 7/8" Barrel: 1" diameter Depth: 2 1/4"	DPSTRK1	US26D, 26, US3, 10B

Specification Sheets available for submittal purposes at www.cal-royal.com. Click on "Specification Sheets Image"

MISCELLANEOUS DOOR AND WINDOW HARDWARE

ILLUSTRATION	ITEM	SIZE	ITEM #	FINISH
	<p>Heavy Duty Roller Catch</p> <ul style="list-style-type: none"> ▶ Adjustable Nylon Roller with Square Heavy Duty Cast 2 ¼" Full-lip Strike ▶ Conforms to ANSI / BHMA A156.16, E19091 	<p>Face Plate: 1" x 3 ¾"</p> <p>Full Lip Strike: 1/8" x 1" x 3 ¾"</p> <p>Depth: 1 13/16"</p>	ARL-1338	US3, 26, 19, US15, 5, US15A, 10B, US26D
	<p>Optional T-Strike for Heavy Duty Roller Catch ARL1338</p> <ul style="list-style-type: none"> ▶ Architectural finishes available ▶ Packed with screws 	2 ¾" x 1 ½" x 1 ¾"	ARLSTRK62	US26D, 26, US19, 15, 5, US3, 15A, US10B

KICK / ARMOR PLATES

	<p>Metal Kick Plates</p> <ul style="list-style-type: none"> ▶ Conforms to ANSI / BHMA A156.6 ▶ Packed with #6 x 5/8" screws 	0.050" x 8" x 34"	BKICK834	US32D
			KICK834	US10B
		0.040" x 8" x 34"	AKICK834	US32D
		0.050" x 10" x 34"	BKICK1034	US32D
		KICK1034	US10B	
	0.040" x 10" x 34"	AKICK1034	US32D	
	<p>Stainless Steel Kick Plates</p> <ul style="list-style-type: none"> ▶ Conforms to ANSI / BHMA J102 ▶ Packed with #6 x 5/8" screws 	0.050" x 10" x 46"	BKICK1046	US32D
		<p>Stainless Steel Kick Plates</p> <ul style="list-style-type: none"> ▶ Conforms to ANSI / BHMA J102 ▶ Packed with #6 x 5/8" screws 	0.050" x 12" x 34"	BKICK1234
	<p>Aluminum Kick Plate</p> <ul style="list-style-type: none"> ▶ Conforms to ANSI / BHMA A156.6 ▶ Anodized Aluminum finish ▶ Packed with #6 x 5/8" screws 		0.032" x 6" x 34"	ANO634
		0.032" x 8" x 34"	ANO834	
0.032" x 10" x 34"		ANO1034		
<p>Stainless Steel Armor Plates</p> <ul style="list-style-type: none"> ▶ Conforms to ANSI / BHMA J101 ▶ Packed with #6 x 5/8" screws 	0.050" x 34" x 34"	BARM3434	US32D	
	0.050" x 34" x 36"	BARM3436	US32D	

PUSH / PULL PLATES

	<p>Push Plate</p> <ul style="list-style-type: none"> ▶ Individually packed with protective film and screws ▶ Easy installation ▶ Conforms to ANSI / BHMA A156.6 ▶ Architectural finishes available 	0.050" x 3 ½" x 15"	PSPL3515	US32D, US10B, 10, US5, 4, 3, US26
		0.050" x 4" x 16"	PSPL4016	

Specification Sheets available for submittal purposes at www.cal-royal.com. Click on "Specification Sheets Image"

PUSH / PULL PLATES








ILLUSTRATION	ITEM	SIZE	ITEM #	FINISH			
	<p style="text-align: center;">Pull Plate</p> <ul style="list-style-type: none"> ▶ One piece mounted ▶ Conforms to ANSI / BHMA A156.6 ▶ Architectural finishes available 	0.050" x 3 1/2" x 15"	PULPL3515	US32D, US26, 10, US5, 4, 3, US10B			
		0.050" x 4" x 16"	PULPL4016				
<p>NEW ITEM</p>	<p style="text-align: center;">Stainless Steel Push / Pull Plate</p> <ul style="list-style-type: none"> ▶ BHMA: J303 ▶ Fasteners: Six (6) #6 x 5/8" OPH tapping screws 	Plate: 3 9/16" X 16 5/16" Projection: 1 1/8" (29 mm) Gauge: 0.125" (3.5 mm)	CMBOPUL3516	US32D			
	<p style="text-align: center;">Pull Plate Solid Bar Round 1000 Series</p> <ul style="list-style-type: none"> ▶ Meets ANSI 156.6 for J401 Pulls ▶ 18 Gauge (0.050") Plate ▶ Clearance from plate to handle: <p style="text-align: right;">ADA: 1 7/8" Non-ADA: 1 1/2"</p> <p style="text-align: center;">*ADA - Americans with Disabilities Act Approved</p>	3/4" dia. 6"CTC	2 1/4" Proj. 3.5" x 15" 4" x 16" 2 5/8" Proj. 1001ADA*	1000 1001 1001ADA*	US32D, US10B, 3 US32D		
		3/4" dia. 8"CTC	2 1/4" Proj. 3.5" x 15" 4" x 16" 2 5/8" Proj. 1003ADA*	1002 1003 1003ADA*	US32D, 10B, 3 US32D		
		1" dia. 8"CTC	2 1/2" Proj. 3.5" x 15" 4" x 16" 2 7/8" Proj. 1005ADA*	1004 1005 1005ADA*	US32D, 10B, 3 US32D		
		1" dia. 10"CTC	2 1/2" Proj. 3.5" x 15" 4" x 16" 2 7/8" Proj. 1007ADA*	1006 1007 1007ADA*	US32D, 10B, 3 US32D		
		<p>NEW ITEM</p>	<p style="text-align: center;">Stainless Steel Pull Plate</p> <ul style="list-style-type: none"> ▶ With 3/4" "PULL" engraved in black color ▶ BHMA: J401 ▶ Fasteners: <p>a. Round Pull Bar Plates:</p> <ul style="list-style-type: none"> » (6) #6 x 1/2" SS screws; » (2) # 1/4"-20 x 2 1/2" Steel screws; » (2) Steel washers <p>b. Ellipse Pull Bar Plates:</p> <ul style="list-style-type: none"> » (6) #6 x 1/2" SS screws; » (2) # 10-32 x 2 1/4" Steel screws; » (2) Steel washers <p style="text-align: center;">*ADA - Americans with Disabilities Act Approved</p>	3/4" dia. 6"CTC	3 1/2" x 15" Projection: 2 1/4" 4" x 16" Projection: 2 5/8"	PULL1000 PULL1001ADA* PULL1003ADA*	US32D
				3/4" dia. 8"CTC	4" x 16" Projection: 2 5/8"	PULL1005ADA*	
				1" dia. 8"CTC	4" x 16" Projection: 2 7/8"	PULL1007ADA*	
				1" dia. 10"CTC	4" x 16" Projection: 2 7/8"	PULL1007ADA*	
ELLIPSE BAR 6"CTC	3 1/2" x 15" Projection: 1 3/4"			PULL001			
	4" x 16" Projection: 1 3/4"			PULL002			
<p>NEW ITEM</p>	<p style="text-align: center;">Stainless Steel Push Plate</p> <ul style="list-style-type: none"> ▶ ANSI / BHMA A156.6 ▶ With 3/4" "PUSH" engraved in black color 	3 1/2" x 15"	PUSH003	US32D			
		4" x 16"	PUSH004				

Specification Sheets available for submittal purposes at www.cal-royal.com. Click on "Specification Sheets Image"

DOOR PULLS				
ILLUSTRATION	ITEM	SIZE	ITEM #	FINISH
	Solid Bar Round Pull <ul style="list-style-type: none"> ▶ <i>Stainless Steel, Brass and Aluminum material</i> ▶ <i>Type 1 Thru-Bolt Mount for 1 3/4" thick doors</i> ▶ <i>Individually packed</i> ▶ <i>Easy installation</i> ▶ <i>Architectural finishes available</i> 	1" diameter, 10" CTC Projection: 2 1/2"	PUL200	US3, 32D
		1" Diameter, 8" CTC Projection: 2 1/2"	PUL201	
	Solid Bar Round Pull <ul style="list-style-type: none"> ▶ <i>Stainless Steel, Brass and Aluminum material</i> ▶ <i>Type 1 Thru-Bolt Mount for 1 3/4" thick doors</i> ▶ <i>Individually packed</i> ▶ <i>Easy installation</i> ▶ <i>Architectural finishes available</i> 	3/4" Diameter, 10" CTC Projection: 2 1/4"	PUL202	US3, 32D
		3/4" Diameter, 8" CTC Projection: 2 1/4"	PUL203	US3, 10B, US32D, ALUM
		3/4" Diameter, 6" CTC Projection: 2 1/4"	PUL204	US3, 10B, US32D, ALUM
		3/4" Diameter, 5 1/2" CTC Projection: 2 1/4"	PUL205	US3, 15, 10B, US32D, Alum
		5/8" Diameter, 5 1/2" CTC Projection: 2"	PUL206	US3, 10B, US32D, Alum
	Solid Bar Pull Handle <ul style="list-style-type: none"> ▶ <i>Stainless Steel, Brass and Aluminum material</i> ▶ <i>Type 1 Thru-Bolt Mount for 1 3/4" thick doors</i> ▶ <i>Individually packed</i> ▶ <i>Easy installation</i> ▶ <i>Architectural finishes available</i> 	3/8" x 1 1/4", 10" CTC Projection: 2"	PUL207	US3, 10B, US15, 28
		3/8" x 1 1/4", 8" CTC Projection: 2"	PUL208	US3, 10B, US15, 28
		3/8" x 1 1/4", 6" CTC Projection: 2"	PUL209	US3, 10B, US15, 26, 28
	Solid Ellipse Pull Handle <ul style="list-style-type: none"> ▶ <i>Stainless Steel, Brass and Aluminum material</i> ▶ <i>Type 1 Thru-Bolt Mount for 1 3/4" thick doors</i> ▶ <i>Individually packed</i> ▶ <i>Easy installation</i> ▶ <i>Architectural finishes available</i> 	7/8" x 1/2" Ellipse, 5 1/8" CTC Projection: 1 3/4"	PUL210	US3, 28
		3/4" x 1/2" Ellipse, 5 1/2" CTC Projection: 1 3/4"	PUL211	US3, 10B, US15, 15A, 26, US26D, 32D
<p>NEW ITEM</p>	Heavy Cast Aluminum Door Pull <ul style="list-style-type: none"> ▶ <i>Exposed Screws</i> ▶ <i>Thru-Bolt option included for heavy duty installation</i> 	7 3/8" x 1 1/2" Projection: 2 1/16"	PULL715	Alum, Duro

Specification Sheets available for submittal purposes at www.cal-royal.com. Click on "Specification Sheets Image"

DOOR KNOCKERS AND VIEWERS

ILLUSTRATION	ITEM	SIZE	ITEM #	FINISH
	<p>Solid Brass Door Knocker</p> <ul style="list-style-type: none"> ▶ <i>Conforms to ANSI / BHMA A156.16 L23151</i> ▶ <i>Architectural finishes available</i> ▶ <i>Similar to IVES #3125</i> 	<p>Dimensions: 3" x 6 3/8" Screw Holes: 4 1/8" CTC</p>	SBDK356	US3, 5, US10B, US26, 26D, 15, US15A
	<p>Solid Brass Door Knocker With 180° Door Viewer</p> <ul style="list-style-type: none"> ▶ <i>Conforms to ANSI / BHMA A156.16 L23151</i> 	<p>Bore: 9/16" Size: 3" x 6 3/8" Screw Holes: 4 1/8" CTC For Doors: 1 3/8" - 1 3/4" thick</p>	SBDK / DV180	US3
	<p>Solid Brass Door Knocker</p> <ul style="list-style-type: none"> ▶ <i>Conforms to ANSI / BHMA A156.16 L23151</i> ▶ <i>Similar to IVES #3102</i> 	<p>Dimensions: 2 1/8" x 3 3/4" Screw Holes: 3 3/8" CTC</p>	SSBDK234	US3, 10B, US15
<p>OPTIONAL</p>  	<p>Door Knocker With 160° Viewer</p> <ul style="list-style-type: none"> ▶ <i>Conforms to ANSI / BHMA A156.16 L23151</i> ▶ <i>Diecast material</i> ▶ <i>ULDK93 is UL Listed for 90-minute doors</i> ▶ <i>Architectural finishes available</i> ▶ <i>UL Listed</i> 	<p>For Doors: 1 3/8" - 1 3/4" thick Dimensions: 1 3/4" x 4" Screw Holes: 2 1/2" CTC</p>	DK93 (Non-UL)	US3, 5, 26D, US10B, 15, 15A
	<p>Door Knocker With 180° Viewer</p> <ul style="list-style-type: none"> ▶ <i>Conforms to ANSI / BHMA A156.16 L23151</i> ▶ <i>Diecast material</i> ▶ <i>Architectural finishes available</i> 	<p>Bore: 9/16" Size: 2 3/8" x 5 1/2" For Doors: 1 3/8" - 1 3/4" thick Screw Holes: 3 3/8" CTC Non UL</p>	DK94	US3, 5, 26D, US10B, 15, 15A
	<p>Door Knocker With 160° Viewer w/ Name Card</p> <ul style="list-style-type: none"> ▶ <i>Conforms to ANSI / BHMA A156.16 L23151</i> ▶ <i>Diecast material</i> ▶ <i>Architectural finishes available</i> 	<p>1/2" Bore Size: 2" x 4 3/4" For Doors: 1" - 1 3/4" thick Screw Holes: 3 3/8" CTC</p>	DKN95	US3, 5

(US5) AVAILABLE WHILE SUPPLIES LAST



Specification Sheets available for submittal purposes at www.cal-royal.com. Click on "Specification Sheets Image"

DOOR VIEWERS


ILLUSTRATION	ITEM	SIZE	ITEM #	FINISH
	<p style="text-align: center;">Brass Door Viewer, 160° Plastic Lens</p> <ul style="list-style-type: none"> ▶ <i>Conforms to ANSI / BHMA A156,16 L23172</i> ▶ <i>Architectural finishes available</i> 	<p>Bore: 1/2" For Doors: 1 3/8" - 2 1/4" thick</p>	DV90	US3, 5, 26, US26D, 15, US10B
	<p style="text-align: center;">Brass Door Viewer, 180° Plastic Lens</p> <ul style="list-style-type: none"> ▶ <i>Conforms to ANSI / BHMA A156,16 L23172</i> ▶ <i>Architectural finishes available</i> 	<p>Bore: 1/2" For doors: 1 3/8" - 2" thick</p>	DV91	US3, 5, 26, US26D, 15, US10B
		<p>Bore: 9/16" For doors: 1 3/8" - 2" thick</p>	DV180	US3, 5, 26, US26D, 15, US10B, 15A
	<p style="text-align: center;">Door Viewer, 160° Glass Lens</p> <ul style="list-style-type: none"> ▶ <i>UL Listed For 90-Minute Doors</i> ▶ <i>Conforms to ANSI / BHMA A156,16 L23172</i> ▶ <i>Architectural finishes available</i> 	<p>Bore: 1/2" For doors: 1 3/8" - 2" thick</p>	ULDV160	US3, 15, 26, US26D, 10A, US10B
	<p style="text-align: center;">Door Viewer, 200° Glass Lens</p> <ul style="list-style-type: none"> ▶ <i>UL Listed For 90-Minute Doors</i> ▶ <i>Conforms to ANSI / BHMA A156,16 L23172</i> ▶ <i>Architectural finishes available</i> 	<p>Bore : 9/16" For doors: 1 3/8" - 2 1/4" thick</p>	ULDV200	US3, 15, 26, US26D, 10A, US10B
		<p>Bore : 9/16" For doors: 1" - 1 3/8" thick</p>	10ULDV201	US3, 15, US26D, 10B

Specification Sheets available for submittal purposes at www.cal-royal.com. Click on "Specification Sheets Image"


DOOR VIEWERS

ILLUSTRATION	ITEM	SIZE	ITEM #	FINISH
 <p>NEW ITEM</p>	<p>200° Door Viewer with Heavy Duty Privacy Cover</p> <ul style="list-style-type: none"> ▶ <i>UL Listed for 20 minutes</i> ▶ <i>Architectural finishes available</i> 	<p>1" Head diameter Bore: 9/16" For doors: 1 3/8" - 2 1/4" thick</p>	PRIULDV200	US3, 10B, US15, 26, US26D
 <p>COV160 COV200</p>	<p>Door Viewer Cover</p>	<p>Cover: 1/2" To be used with: DV90, DV91, ULDV160 door viewers</p>	COV160	US3, 15, US10B, US26D
		<p>Cover: 9/16" To be used with: DV180, ULDV200, ULDV201</p>	COV200	

ELECTRONIC DIGITAL DOOR VIEWER

	<p>Electronic Digital Door Viewer</p> <ul style="list-style-type: none"> ▶ <i>Supported Existing Door Bores</i> ▶ <i>Fully Integrated Digital Camera and LCD Display</i> ▶ <i>Quick and Easy Installation</i> ▶ <i>Clear Large Image 0.3 Mega Pixels CMOS Resolution</i> ▶ <i>Easy Operation</i> ▶ <i>Convenient for children and elderly</i> ▶ <i>Provides additional privacy</i> ▶ <i>3 x AA Batteries</i> 	<ul style="list-style-type: none"> • 1/2" - 1 1/8" Diameter (13mm - 29mm) • 3.5" TFT, (90mm) • 320x240 resolution LCD Viewer Screen size • 8.5oz (240g) Net Weight 	ELDVBEL150	Silver, Duro, Gold
---	---	--	------------	--------------------

DOOR GUARDS

 <p>NEW ITEM</p>	<p>Privacy Door Latch</p> <ul style="list-style-type: none"> ▶ <i>Zinc Diecast material</i> ▶ <i>Architectural finishes available</i> 	<p>Height: 2 1/8" Width (Base): 1 1/2" Weight: 0.65 lbs/unit Opening Angle: 87°</p>	HPDL258	US26D, 26, US3, 4, 10B
--	--	---	---------	---------------------------

Specification Sheets available for submittal purposes at www.cal-royal.com. Click on "Specification Sheets Image"

DOOR GUARDS				
ILLUSTRATION	ITEM	SIZE	ITEM #	FINISH
	Solid Brass Chain Door Guard <ul style="list-style-type: none"> ▶ Welded solid steel chains to prevent forced entry ▶ Conforms to ANSI / BHMA 156.16 ▶ Architectural finishes available 	Chain: 6 3/4"	DG22	US3, US5, US26
	Zinc Diecast Swing Bar Door Guard <ul style="list-style-type: none"> ▶ Ball Bearing Stop Guide ▶ Diecast material ▶ Architectural finishes available 	2 1/16" x 4 1/4"	BBDHG88	US3, 4, 5, US26, 26D, US10B
	Diecast Swing Bar Door Guard <ul style="list-style-type: none"> ▶ Protective rubber insert on both sides of arm ▶ Architectural finishes available 	2 1/2" x 4 1/2"	PDG88	US3, 4, 10B, US26, 26D
	Solid Brass Door Guard Packed With Angle Protector <ul style="list-style-type: none"> ▶ Ball Bearing stop guide ▶ Packed with Door Angle Protector to avoid scarring the door or frame ▶ Conforms to ANSI / BHMA 156.16 ▶ Architectural finishes available 	Arm length: 4 3/4"	SBDG00	US26D, 3, 4, US26, 10B
	Door Angle Protector <ul style="list-style-type: none"> ▶ Door angle protector comes with adhesive and individual screw for secure mounting ▶ Designed for use with BBDHG88 and PDG88 ▶ Architectural finishes available 	Thickness: 0.036" Dimensions: 1/2" x 1" x 1 1/8"	DAP77	US26D, 26, US3, 4, 5, US10B
	Door Guard Shim <ul style="list-style-type: none"> ▶ To be used when face of door is recessed from face of jamb ▶ Fits under Door Guard ▶ Use with BBDHG88 and PDG88 	Dimensions: 5/8" x 2 5/16" Thickness: 1/8"	DGS39	Black
	Door Guard Shim <ul style="list-style-type: none"> ▶ To be used when face of door is recessed from face of jamb. ▶ Fits under Door Guard sector which attaches to door ▶ Use with SBDG00 	Dimensions: 1 1/8" x 1 11/16" Thickness: 1/8"	DGS100	Black

Specification Sheets available for submittal purposes at www.cal-royal.com. Click on "Specification Sheets Image"

SLIDING DOOR LOCKS

ILLUSTRATION	ITEM	SIZE	ITEM #	FINISH
	<p style="text-align: center;">Heavy Duty Privacy Sliding Door Lock Function</p> <ul style="list-style-type: none"> ▶ <i>Heavy Duty</i> ▶ <i>Privacy sliding door lock function</i> ▶ <i>Easy installation onto pocket-type interior doors with just a simple cut in door edge</i> ▶ <i>Architectural finishes available</i> 	<p>Standard Door Prep: 2 7/8" (L) x 1 3/4" (W) can be used on: 1 3/8" and 1 3/4" door thickness</p>	<p style="text-align: center;">PRIPDL21</p>	<p>US3, 5, 26, US26D, 15, US15A, 10B</p>
	<p style="text-align: center;">Heavy Duty Passage Sliding Door Lock Function</p> <ul style="list-style-type: none"> ▶ <i>Heavy Duty</i> ▶ <i>Passage sliding door lock function</i> ▶ <i>Architectural finishes available</i> 	<p>Standard Door Prep: 2 7/8" (L) x 1 3/4" (W) can be used on: 1 3/8" and 1 3/4" door thickness</p>	<p style="text-align: center;">PASPDL34</p>	<p>US3, 5, 26, US26D, 15, US15A, 10B</p>
	<p style="text-align: center;">Privacy Sliding Door Lock</p> <ul style="list-style-type: none"> ▶ <i>Comparable to Quality No. 101</i> ▶ <i>Sliding door lock and pull for passageway (pocket) doors</i> ▶ <i>Decorative Coined Edges</i> ▶ <i>Reversible (Non-Handed)</i> 	<p>Standard Door Prep: 2 1/4" (L) x 1 3/4" (W) For use on doors: 1 3/8" - 1 3/4" thick Use SDLPIN for 1 3/4" doors</p>	<p style="text-align: center;">SDL16</p>	<p>US3, 5, 10B US19, 26, US26D, 15, US15A, US5/26 US3/26</p>
	<p style="text-align: center;">Passage Sliding Door Lock</p> <ul style="list-style-type: none"> ▶ <i>Comparable to Quality No. 100</i> ▶ <i>Sliding door lock and pull for passageway (pocket) doors</i> ▶ <i>Easy installation onto pocket-type interior doors with just a simple cut in door edge</i> 	<p>Standard Door Prep: 2 1/4" (L) x 1 3/4" (W) For use on doors: 1 3/8" and 1 3/4" thick</p>	<p style="text-align: center;">SDL17</p>	<p>US3, 5, 10B US19, 26, US26D, 15, US15A, US3/26</p>
	<p style="text-align: center;">Strike</p> <ul style="list-style-type: none"> ▶ <i>Strike for privacy SDL</i> ▶ <i>Architectural finishes available</i> 	<p>Dimensions: 0.046" x 1" x 2 1/4"</p>	<p style="text-align: center;">STRKSDL</p>	<p>US3, 5, 26, US26D, 15, US15A, 10B</p>

Specification Sheets available for submittal purposes at www.cal-royal.com. Click on "Specification Sheets Image"

SLIDING DOOR LOCKS

ILLUSTRATION	ITEM	SIZE	ITEM #	FINISH
 <p style="text-align: center;">NEW ITEM</p>	<p>Privacy Sliding Door Lock</p> <ul style="list-style-type: none"> ▶ 2 3/8" Backset ▶ With easy pop-up finger pull ▶ Easy installation onto pocket-type interior doors 	1 3/8" to 1 3/4" Door Thickness	18SDLR	US10B, 15 US26, 26D
	<p>Privacy Sliding Door Lock</p> <ul style="list-style-type: none"> ▶ 2 3/4" Backset ▶ With easy pop-up finger pull ▶ Easy installation onto pocket-type interior doors 	1 3/8" to 1 3/4" Door Thickness	20SDLR	US26D
 <p style="text-align: center;">NEW ITEM</p>	<p>Passage Sliding Door Lock</p> <ul style="list-style-type: none"> ▶ 2 3/8" Backset ▶ With easy pop-up finger pull ▶ Easy installation onto pocket-type interior doors 	1 3/8" to 1 3/4" Door Thickness	14SDLR	US10B, 15 US26, 26D
	<p>Passage Sliding Door Lock</p> <ul style="list-style-type: none"> ▶ 2 3/4" Backset ▶ With easy pop-up finger pull ▶ Easy installation onto pocket-type interior doors 	1 3/8" to 1 3/4" Door Thickness	30SDLR	US26D
	<p>Privacy Pocket Door Lock</p> <ul style="list-style-type: none"> ▶ Auto-catch Lock Mechanism ▶ Fits standard 2 1/8" Door Prep ▶ Easy installation onto pocket-type interior doors 	1 3/8" Door Thickness	RSDL20	US3, 5, US10B, 15, US15A, 19, US26, 26D
		1 3/4" Door Thickness	134RSDL20	
	<p>Dummy Pocket Door Lock</p> <ul style="list-style-type: none"> ▶ Fits standard 2 1/8" Door Prep ▶ Easy installation onto pocket-type interior doors 	1 3/8" Door Thickness	RSDL40	US3, 5, US10B, 15, US15A, 19, US26, 26D
		1 3/4" Door Thickness	134RSDL40	

Specification Sheets available for submittal purposes at www.cal-royal.com. Click on "Specification Sheets Image"

SECURITY BOLTS				
ILLUSTRATION	ITEM	SIZE	ITEM #	FINISH
	<p>Solid Brass Decorative Dutch Door Bolt</p> <ul style="list-style-type: none"> ▶ Heavy Duty with decorative design adapts to any decor ▶ Packed with mortise and universal strikes ▶ 1 1/4" diameter decorative knob ▶ Conforms to ANSI / BHMA 156.16 ▶ Architectural finishes available 	4"	DDSB4	US3, 5, 26, US15, 15A, US10B
		8"	DDSB8	
		12"	DDSB12	
		18"	DDSB18	
		24"	DDSB24	
	<p>Angle Strike</p> <ul style="list-style-type: none"> ▶ Solid Brass Base ▶ Packed with screws ▶ Architectural finishes available 	Screw Holes: 1 3/8" CTC	ANGSTRK	US3, 5, 26, US15, 15A, US10B
	<p>Brass Surface Bolt</p> <ul style="list-style-type: none"> ▶ Brass construction ▶ Packed individually ▶ Poly-bagged with 2 strikes and screws ▶ Architectural finishes available ▶ BHMA LO4151 	3"	SB873	US3, 5, 26, US15, 15A, US10B
		4"	SB874	
		6"	SB876	
		12"	SB8712	
	<p>Decorative Surface Bolt</p> <ul style="list-style-type: none"> ▶ Packed individually ▶ Poly-bagged with 2 strikes and screws ▶ Comparable to IVES #043 ▶ Conforms to ANSI / BHMA 156.16 ▶ Architectural finishes available 	4"	DCSB4	US3, 5, 15, US15A, 10B, US26, 26D
		6"	DCSB6	
<p>MB85R</p> <p>MB86S</p>	<p>Solid Brass Flush Bolts</p> <ul style="list-style-type: none"> ▶ Designed for superior strength and smooth operation ▶ Deep cup finger hole and double action spring combine to assure ease of operation and automatic holding of bolt in either projected or retracted position ▶ Includes strike and fastener ▶ Architectural finishes available ▶ BHMA LO4201 	Bolt Head: Diameter: 1/2" Throw: 1" Length: 6" Width: 3/4"	MB85R (Round Edge)	US3, 5, 10B US15, 15A, US26, 26D
	MB86S (Square Edge)			
	<p>Strike for MB85R and MB85S</p> <ul style="list-style-type: none"> ▶ Individually poly-bagged ▶ Packed with 2 screws ▶ Architectural finishes available 	Size: 1" x 2" Screw holes: 1 3/8" CTC	STRKMB85R	US3, 5, 15, US15A, 26, US26D, 10B

Specification Sheets available for submittal purposes at www.cal-royal.com. Click on "Specification Sheets Image"

SECURITY BOLTS

ILLUSTRATION	ITEM	SIZE	ITEM #	FINISH
	<p style="text-align: center;">Solid Brass Single Route Flush Bolt</p> <ul style="list-style-type: none"> ▶ Designed for superior strength and smooth operation ▶ Individually poly-bagged ▶ Packed with strike and 2 sets of screws ▶ Architectural finishes available 	<p>Dimensions Length: 7" Width: 3/4" Bolt Head Diameter: 5/16" Throw: 3/4"</p>	FBG6	US3, 5, 26, US26D, 15, US15A, 10B
	<p style="text-align: center;">Strike for FBG6 and FBGEX12</p> <ul style="list-style-type: none"> ▶ Individually poly-bagged ▶ Packed with screws ▶ Architectural finishes available 	<p>Dimensions 1 1/2" x 5/8" Screw Holes 1" CTC</p>	STRKFBG6	US3, 5, 26, US26D, 15, US15A, 10B
	<p style="text-align: center;">Solid Brass Single Route Extension Flush Bolt</p> <ul style="list-style-type: none"> ▶ Rounded at both ends ▶ Designed for superior strength and smooth operation ▶ Individually poly-bagged ▶ Packed with strike and 2 sets of screws ▶ Architectural finishes available 	<p>Dimensions Length: 7 1/2" Width: 3/4" Bolt Head Diameter: 5/16" Throw: 7/8" Rod Length: 18"</p>	FBGEX12	US3, 5, 26, US26D, 15, US15A, 10B
	<p style="text-align: center;">Flip Style Mortise Flush Bolt</p> <ul style="list-style-type: none"> ▶ Designed for superior strength and smooth operation ▶ Individually poly-bagged ▶ Packed with strike and 2 sets of screws ▶ Architectural finishes available 	<p>Dimensions Length: 7" Width: 3/4" Throw: 3/4" Strike 1 1/2" L x 5/8" W</p>	FLPFB400	US3, US5, US10B, 15, US15A, 26, US26D
	<p style="text-align: center;">Flip Style Mortise Flush Bolt with 18" Extension Rod</p> <ul style="list-style-type: none"> ▶ Designed for superior strength and smooth operation ▶ Individually poly-bagged, packed per pair ▶ Packed with strike and 2 sets of screws ▶ Architectural finishes available 	<p>Dimensions: Length: 7 7/16" Width: 3/4" Throw: 11/16"; Strike 1 1/2" L x 5/8" W</p>	EXTFB-1	US3, US5, US10B, 15, US15A, 26, US26D
	<p style="text-align: center;">Solid Brass Single Route Flush Bolt</p> <ul style="list-style-type: none"> ▶ Designed for superior strength and smooth operation ▶ Deep cup finger hole and double action spring combine to assure ease of operation and automatic holding of bolt in either projected or retracted position ▶ Includes strike and screws ▶ Architectural finishes available 	<p>Dimensions Length: 6 3/4" Width: 3/4" Bolt Head Diameter: 5/16" Throw: 3/4"</p>	ZDFB800	US3, 5, US26, 26D, US15, 10B

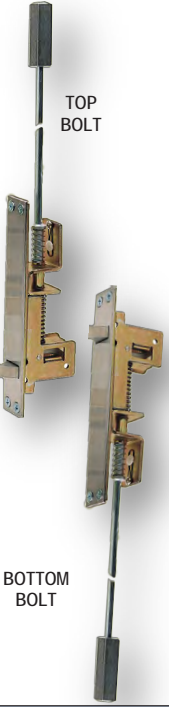
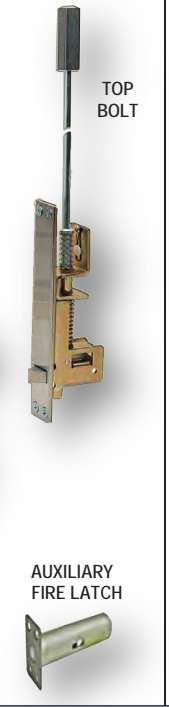
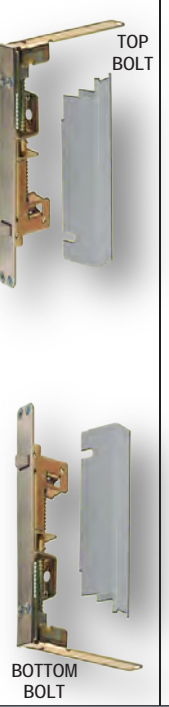
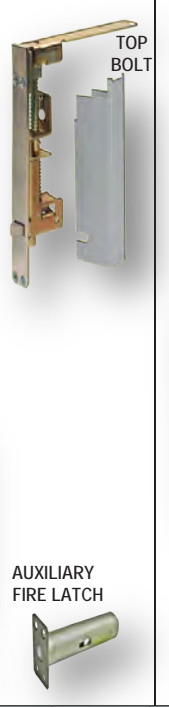
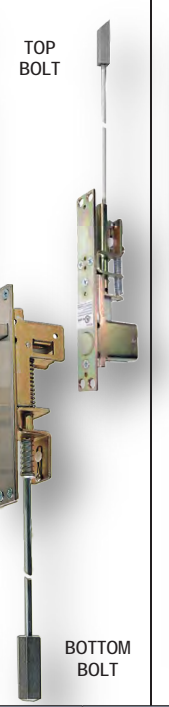
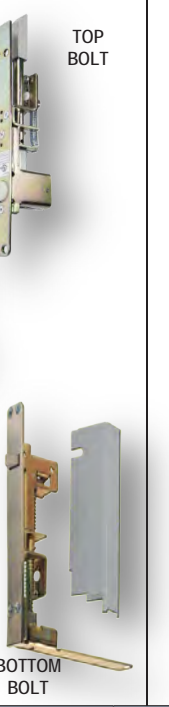
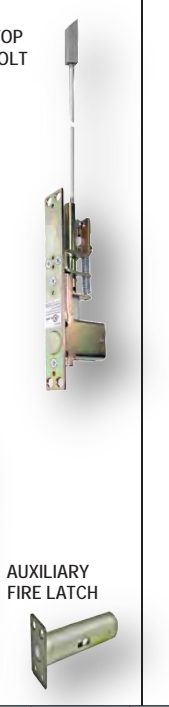
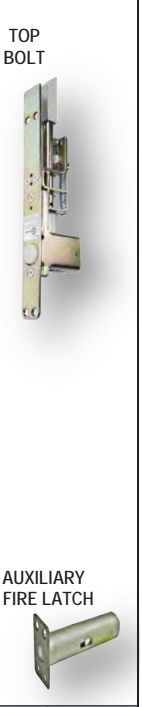
Specification Sheets available for submittal purposes at www.cal-royal.com. Click on "Specification Sheets Image"

SECURITY BOLTS





ILLUSTRATION	ITEM	SIZE	ITEM #	FINISH
	<p>Commercial Surface Bolts</p> <ul style="list-style-type: none"> ▶ Offers tamper-resistant mounting ▶ Can be used for both in-swinging and out-swinging doors ▶ Available with both mortise and universal strikes ▶ Conforms to ANSI / BHMA A156.16, L84161 	<p>Dimensions Length: 8"; Width: 1" Bolt Head Diameter: $\frac{5}{16}$" Throw: 1" Projection: $1\frac{5}{8}$"</p>	<p>UL453 (SBUL8 before)</p>	<p>US26D</p>
	<p>Heavy Duty Commercial Surface Bolts</p> <ul style="list-style-type: none"> ▶ Offers tamper-resistant mounting ▶ Can be used for both in-swinging and out-swinging doors ▶ Available with both mortise and versal strikes ▶ Conforms to ANSI / BHMA A156.16, L84161 	<p>Length: 8"; Width: $\frac{3}{4}$" Projection: $1\frac{5}{16}$" Bolt Throw: 1"</p>	<p>UL831 (ESBUL50 before)</p>	<p>US26D</p>
		<p>Length: 12"; Width: $\frac{3}{4}$" Projection: $1\frac{5}{16}$" Bolt Throw: 1"</p>	<p>UL831-12 (ESBUL12 before)</p>	
	<p>Solid Brass Lever Extension Flush Bolt (UL Listed)</p> <ul style="list-style-type: none"> ▶ Non-handed ▶ UL Listed for fire-rated metal doors ▶ Bolt tip is $\frac{1}{2}$" Diameter ▶ Conforms to ANSI / BHMA A156.6, L14081 ▶ Optional Rod lengths available: 12", 18", 24", 36", 48" ▶ Architectural finishes available 	<p>Body Length: $6\frac{3}{4}$"; Width: 1" Depth: $1\frac{1}{8}$" Guide Length: 2"; Width: 1" Thickness: $\frac{5}{64}$" Strike Length: $2\frac{1}{4}$"; Width: $\frac{15}{16}$" Thickness: $\frac{3}{32}$" Rod: $\frac{1}{4}$" - 20 Threaded</p>	<p>MF6341</p>	<p>US3, 4, 5, US10, 10B, US15, 15A, US26, 26D Almond, White, L1</p>
	<p>Strike for MF6341</p> <ul style="list-style-type: none"> ▶ Individually poly-bagged ▶ Packed with screws ▶ Architectural finishes available 	<p>Dimensions: $2\frac{1}{4}$" x $\frac{15}{16}$" Thickness: $\frac{3}{32}$" Screw Holes $1\frac{5}{8}$" CTC</p>	<p>STRKMF</p>	<p>US3, 10B, US15, 26, US26D</p>
	<p>Solid Brass Commercial Wood Lever Extension Flush Bolt</p> <ul style="list-style-type: none"> ▶ Commercial Type ▶ $\frac{5}{8}$" Throw ▶ Especially designed for wood or composite doors ▶ Conforms to ANSI / BHMA A156.6, L14081 ▶ Architectural finishes available 	<p>Body Length: $6\frac{3}{4}$"; Width: 1" Depth: $1\frac{1}{4}$" Guide Length: $2\frac{1}{2}$"; Width: 1" Thickness: $\frac{5}{64}$" Strike Length: $2\frac{1}{4}$"; Width: 1" Thickness: $\frac{5}{64}$"</p>	<p>WF6341</p>	<p>US3, 10B, US26, 26D, US15, 15A</p>
	<p>Stamped Brass Commercial Manual Flush Bolt</p> <ul style="list-style-type: none"> ▶ Non-handed ▶ Stamped Brass Design ▶ Bolt tip is $\frac{1}{2}$" Diameter ▶ Optional Rod lengths available 18", 24", 36", 48" ▶ Architectural finishes available 	<p>Body Length: $6\frac{3}{4}$"; Width: 1" Depth: $1\frac{1}{4}$" Guide Length: 2"; Width: 1" Thickness: $\frac{5}{64}$" Strike Length: $2\frac{1}{4}$"; Width: 1" Thickness: $\frac{5}{64}$"</p>	<p>SBFB825</p>	<p>US3, 10B, US15, 26D</p>

Specification Sheets available for submittal purposes at www.cal-royal.com. Click on "Specification Sheets Image"

AUTO FLUSH BOLTS

AUTOFLM1	AUXAUTOFLM1	AUTOFLW22	AUXAUTOFLW22	SLAUTOFLM3	SLAUTOFLW4	AUXSLAFLM3	AUXSLAFLW4					
												
FEATURES AND CONSTRUCTION				AUTOFLM1	AUXAUTOFLM1	AUTOFLW22	AUXAUTOFLW22	SLAUTOFLM3	SLAUTOFLW4	AUXSLAFLM3	AUXSLAFLW4	
UL Listed for (A, B, C, D and E Label) metal fire doors, maximum 8' in height. Conforms to UL10C and UBC 7-2-1997.				✓	✓			✓		✓		
UL Listed for (B, C, D and E Label) wood composite core fire doors, maximum 8' in height. Conforms to UL10C and UBC 7-2-1997.						✓	✓		✓		✓	
Fits standard and ANSI preparation for wood doors.						✓	✓		✓		✓	
Fits standard and ANSI preparation for metal doors.				✓	✓			✓		✓		
Override feature, prevents damage to doors of frame in case the strike and bolt are not aligned.				✓	✓	✓	✓	✓	✓	✓	✓	
Reversible, Non-Handed.				✓	✓	✓	✓	✓	✓	✓	✓	
Steel body with stainless steel components, especially designed thermal lock automatically locks inactive door in case of fire.				✓	✓	✓	✓	✓	✓	✓	✓	
Smooth easy action, requires 5 lbs of force to actuate cam and piston mechanism, therefore meeting ADA regulations.				✓	✓	✓	✓	✓	✓	✓	✓	
Fully automatic, when active door is opened top and bottom bolts are automatically retracted for easy egress. When active door is closed 3/4" bolt projects into the frame, securing latching of inactive leaf.				✓	✓	✓	✓	✓	✓	✓	✓	
Bolts have 1" vertical adjustment without removing door from frame for unusual conditions.						✓	✓		✓		✓	
Bolts have 3/4" vertical adjustment without removing door from frame for unusual conditions.				✓	✓			✓		✓		
Available in Architectural Finishes. Packed 2 bolts per box with composite installation template.				✓		✓		✓	✓	✓		
Available in Architectural Finishes. Packed 1 top bolt and 1 auxiliary fire latch per box with composite installation template. Used where a fire-rating application without a bottom bolt is required. The auxiliary fire latch, mounted in the door edge, releases under extremely high temperatures to keep the doors in alignment during a fire.					✓		✓				✓	✓

UNIVERSAL FLUSH BOLTS






UNIVERSAL AUTOMATIC FLUSH BOLT	UNIVERSAL SELF-LATCHING FLUSH BOLT	UNIVERSAL FLUSH BOLT & BOTTOM FIRE LATCH BOLT			
UNIFB820	UNIFB780	UNIFB930	UNIFB540		
 <p style="text-align: center;">UNIFB810 TOP BOLT</p> <p style="text-align: center;">UNIFB810 BOTTOM BOLT</p>	 <p style="text-align: center;">UNIFB710 TOP BOLT</p> <p style="text-align: center;">UNIFB810 BOTTOM BOLT</p>	 <p style="text-align: center;">UNIFB710 TOP BOLT</p> <p style="text-align: center;">UNIFL001 BOTTOM FIRE LATCH BOLT</p>	 <p style="text-align: center;">UNIFB810 TOP BOLT</p> <p style="text-align: center;">UNIFL001 BOTTOM FIRE LATCH BOLT</p>		
FEATURES & CONSTRUCTION		UNIFB820	UNIFB780	UNIFB930	UNIFB540
UL Listed for (A, B, C, D and E Label) metal fire doors, maximum 8' in height. Conforms to UL10C and UBC 7-2-1997.		✓	✓	✓	✓
UL Listed for (B, C, D and E Label) wood composite core fire doors, maximum 8' in height. Conforms to UL10C and UBC 7-2-1997.		✓	✓	✓	✓
Fits standard and ANSI preparation for wood doors.		✓	✓	✓	✓
Fits standard and ANSI preparation for metal doors.		✓	✓	✓	✓
Override feature, prevents damage to doors of frame in case the strike and bolt are not aligned.		✓	✓	✓	✓
Reversible, non-handed.		✓	✓	✓	✓
Steel body with stainless steel components, especially designed thermal lock automatically locks inactive door in case of fire.		✓	✓ (bottom only)		✓
Fully automatic, when active door is opened top and bottom bolts are automatically retracted for easy egress. When active door is closed 3/4" bolt projects into the frame, securing latching of inactive leaf.		✓	✓ (bottom only)		✓
Bolts have 5/8" vertical adjustment without removing door from frame for unusual conditions.		✓	✓	✓	✓
Available in Architectural Finishes. Packed 2 bolts per box with composite installation template.		✓	✓		
Available in Architectural Finishes. Packed 1 top bolt and 1 auxiliary fire latch per box with composite installation template. Used where a fire-rating application without a bottom bolt is required. The auxiliary fire latch, mounted in the door edge, releases under extremely high temperatures to keep the doors in alignment during a fire.				✓	✓

DOOR COORDINATORS

ILLUSTRATION	ITEM	SIZE	ITEM #	FINISH	
	<p>UL-Gravity Coordinator</p> <ul style="list-style-type: none"> ▶ Used on pairs of doors with or without an astragal ▶ Adjustable for ease of installation ▶ It features a Nylon Roller to enable the inactive door to easily operate the coordinating device ▶ Base Material: Forged Brass ▶ Architectural finishes available ▶ BHMA: 4.1.1 Type 25 	Projection: 7"	FRGCO65	US26D, 10B, US3, 4, 5, US10, 26	
		Projection: 8"	FRGCO085		
	<p>Door Coordinator</p> <ul style="list-style-type: none"> ▶ Door coordinator for fire labeled doors ▶ Automatic coordinating device for sequential closing of paired doors with or without astragal ▶ Non-handed. ▶ For use with frame openings 60", 72" or 84". ▶ Material: All Metal construction ▶ Conforms to ANSI / BHMA A156.3, Type 21A 	Frame Openings: 60" and 72"	DORCO1	Black Prime Coat, Alum	
		Filler Bar	18 ⁵ / ₈ " for up to 72" door		FB1858
		Filler Bar	32 ⁵ / ₈ " for up to 96" door		FB3258
	<p>Carry Bar</p> <ul style="list-style-type: none"> ▶ Used on pair of doors with astragal ▶ For situations when the inactive door can be opened first. 	Plate: 1 ³ / ₄ " x 2 ¹ / ₄ " Fasteners: 1/4" x 20 Sex Bolts	CBO-1	Black Prime Coat, Alum	
	Mounting Brackets	Jamb Depth: 4 ¹ / ₄ " Stop Height: ⁵ / ₈ " Stop Width: 2 ¹ / ₄ " and over	MB4250	Black Prime Coat	
		Jamb Depth: 4 ³ / ₄ " Stop Height: ⁵ / ₈ " Stop Width: 7/8" to 2 ¹ / ₄ " and over	MB4750		

Specification Sheets available for submittal purposes at www.cal-royal.com. Click on "Specification Sheets Image"

HANDRAIL BRACKETS

ILLUSTRATION	ITEM	SIZE	ITEM #	FINISH
	<p style="text-align: center;">Jumbo Heavy Duty Handrail Bracket</p> <ul style="list-style-type: none"> ▶ Diecast Aluminum material ▶ Contemporary design ▶ Single screw wall mount for minimal damage to wall ▶ Individually poly-bagged ▶ Packed with mounting screws ▶ Easy installation ▶ Conforms to ANSI / BHMA A156.16 L13061 ▶ Architectural finishes available 	<p>Wall Mount: 2 1/8" dia. Height: 2 7/8" Width: 2 1/8" Projection: 2 7/8"</p>	JUHB-28	US3, 5, US15, 15A, US26, 10B
	<p style="text-align: center;">Handrail Bracket</p> <ul style="list-style-type: none"> ▶ Diecast material ▶ Individually poly-bagged with screws ▶ Conforms to ANSI / BHMA A156.16 L33061 ▶ Architectural finishes available 	<p>Height: 2 7/8" Width: 1 3/16" Projection: 2 7/8"</p>	HB96	US3, 5, US15, 15A, US26, 10B, US26D
	<p style="text-align: center;">Heavy Duty Cast Aluminum Handrail Bracket</p> <ul style="list-style-type: none"> ▶ Diecast material ▶ Individually poly-bagged with screws ▶ Conforms to ANSI / BHMA A156.16 L33061 ▶ Architectural finishes available 	<p>Height: 3 1/4" Width: 1 7/16" Projection: 3 1/4"</p>	HDHB40	US3, 5, US15, 15A, US26, 26D, US10B
	<p style="text-align: center;">Heavy Duty Handrail Bracket</p> <ul style="list-style-type: none"> ▶ Diecast material ▶ Contemporary design ▶ Individually poly-bagged with screws ▶ Easy installation ▶ Conforms to ANSI / BHMA A156.16 L13061 ▶ Architectural finishes available 	<p>Height: 2 3/4" Width: 1 3/8" Projection: 3 1/4"</p>	DMHB83	US3, 10B, US15, 15A, US26D, 26
	<p style="text-align: center;">ADA-APPROVED Heavy Duty Cast Handrail Bracket</p> <ul style="list-style-type: none"> ▶ Conforms and Meets ADA Regulations ▶ Conforms to ANSI / BHMA A156.16 L13061 ▶ Diecast material ▶ Contemporary design ▶ Individually poly-bagged with screws ▶ Easy installation 	<p>Height: 3 1/2" Width: 1 5/16" Projection: 4"</p>	ADAHB-4	US3, 5, US10B, 15, US15A, 26, US26D

Specification Sheets available for submittal purposes at www.cal-royal.com. Click on "Specification Sheets Image"

WALL DOOR STOPS / BUMPERS

ILLUSTRATION	ITEM	SIZE	ITEM #	FINISH
	<p style="text-align: center;">Stainless Steel Concave Wall Stop</p> <ul style="list-style-type: none"> ▶ Manufactured using Stainless Steel or Solid Brass ▶ Conforms to ANSI / BHMA 156.16 L22251 for Brass and L52251 for Stainless Steel ▶ Architectural finishes available 	<p>Base Diameter: 2 1/2" Base Thickness: 3/8" Overall Proj.: 1 3/16"</p>	WB26	US32D, 3, 4, US5, 15A, US26, 10, US10B, 19
	<p style="text-align: center;">Stainless Steel Convex Wall Stop</p> <ul style="list-style-type: none"> ▶ Manufactured using Stainless Steel or Solid Brass ▶ Conforms to ANSI / BHMA 156.16 L22201 for Brass and L52101 for Stainless Steel ▶ Architectural finishes available 	<p>Base Diameter: 2 1/2" Base Thickness: 3/8" Overall Proj.: 1 3/16"</p>	CONWB42	US32D, 3, US4, 26, 10, US10B
	<p style="text-align: center;">Solid Brass Convex Wall Stop</p> <ul style="list-style-type: none"> ▶ Constructed of Solid Brass ▶ Tamper-proof mounting ▶ Included with grey convex rubber bumper that absorbs impact ▶ Comparable to IVES #WS404CVX ▶ Architectural finishes available 	<p>Base Diameter: 1" Overall Proj.: 1/2"</p>	SWB	US3, 4, 15, US15A, 26, US26D, 10B, US19
	<p style="text-align: center;">Commercial Grade Wall Door Stop</p> <ul style="list-style-type: none"> ▶ For high traffic conditions ▶ Solid Cast Brass or Bronze heavy duty construction ▶ Rubber tip does not scar nor mark surface of door ▶ Conforms to ANSI: A156.16, BHMA: L12021, FED SPEC:1320E ▶ Architectural finishes available 	<p>Base Diameter: 2" Overall Proj: 3 5/8"</p>	CWS18	US3,26D, US10B
	<p style="text-align: center;">Commercial Grade Wall Door Stop</p> <ul style="list-style-type: none"> ▶ For high traffic conditions ▶ Solid Cast Brass Conforms to ANSI: A156.16, BHMA: L12021, FED SPEC:1320E ▶ Architectural finishes available ▶ With 3 mounting holes <p style="text-align: center;">NEW ITEM</p>	<p>Base Diameter: 2 1/8" Overall Proj: 3 5/8" Fastener: #10 x 1" OPHWS w/ plastic anchor</p>	4CWS-21	US26D, US10B




Specification Sheets available for submittal purposes at www.cal-royal.com. Click on "Specification Sheets Image"

WALL DOOR STOPS / BUMPERS




ILLUSTRATION	ITEM	SIZE	ITEM #	FINISH
 <p>CURB19</p> <p>SRB82</p>	<p>Solid Brass Roller Stop</p> <ul style="list-style-type: none"> ▶ Constructed in heavy duty Cast Brass ▶ CURB19 is used where two doors open against each other to prevent damage to the door or hardware ▶ CURB19 conforms to ANSI / BHMA 156.16, L12212 	Base: 1 3/4" x 2 1/8" Overall Proj: 2 3/4"	CURB19	US3, 4, US10B, US26D
		Base Dia: 2" Overall Height: 4 1/4"	SRB82	
	<p>Solid Brass Rigid Door Stop with Molded Screw</p> <ul style="list-style-type: none"> ▶ Easy installation ▶ Packed with both white and black rubber tip ▶ Available in architectural finishes 	Mounting Screw: 1" Projection: 3"	SBRS3	US3, 5, 26, US26D, 15, US15A, US10B
		Mounting Screw: 1" Projection: 4"	SBRS4	
	<p>Flexible Door Stop with Fixed Screw</p> <ul style="list-style-type: none"> ▶ Diecast base ▶ One Piece Style ▶ Packed with white rubber tip ▶ Available in architectural finishes 	Mounting Screw: 3/4" Projection: 3"	FS89	US3, 5, 15, US15A, 26, US10B
	<p>Cast Rigid Door Stop with Molded Screw</p> <ul style="list-style-type: none"> ▶ Easy installation ▶ Diecast material ▶ Available in architectural finishes 	Mounting Screw: 5/8" Projection: 3"	RS92	US3, 5, 26, US26D, 15, US15A, US10B
	<p>Heavy Duty Flexible Snap On Door Stop 3 Pieces</p> <ul style="list-style-type: none"> ▶ Steel Base ▶ White Rubber Tip ▶ Available in architectural finishes ▶ Comparable to IVES #060 	Mounting Screw: 1 1/2" Projection: 3"	SOFS3	US3, 5, 26, US10B, US15A, 15
	<p>Heavy Duty Flexible Door Stop with Screw and Metal Base</p> <ul style="list-style-type: none"> ▶ Easy installation ▶ Available in architectural finishes 	Mounting Screw: 3/4" Projection: 3 1/8"	HDFS3	US3, 5, 26, US15, 15A, US10B
		Mounting Screw: 3/4" Projection: 3 3/4"	JFS13	
	<p>4" Diecast Jumbo Rigid Stop with Molded Screw</p> <ul style="list-style-type: none"> ▶ Diecast material ▶ Conforms to ANSI / BHMA A156.16 	Mounting Screw: 3/4" Projection: 4"	JRS34	US3, 5, 26, US15, 15A, US10B
 <p>NEW ITEM</p>	<p>Wall Stop with Plate, Round</p> <ul style="list-style-type: none"> ▶ Stainless Steel wall mount ▶ Easy installation ▶ It can also be used as coat hook ▶ Durable rubber tip ▶ Residential and light commercial use 	Wood Screw w/ plastic plug: #4 x 1" Projection: 3 1/8"	WSPR-02	US32D, US32

Specification Sheets available for submittal purposes at www.cal-royal.com. Click on "Specification Sheets Image"

WALL DOOR STOPS / BUMPERS

ILLUSTRATION	ITEM	SIZE	ITEM #	FINISH
 <p style="text-align: right;">NEW ITEM</p>	<p style="text-align: center;">Wall Stop No Plate</p> <ul style="list-style-type: none"> ▶ <i>Stainless Steel</i> ▶ <i>Wall mount</i> ▶ <i>Easy installation</i> ▶ <i>Durable rubber tip</i> ▶ <i>Residential and light commercial use</i> 	<p>Wood Screw w/ plastic plug: #10 x 1 1/2" Projection: 2 7/8"</p>	WSNP-04	US32D, US32
 <p style="text-align: right;">NEW ITEM</p>	<p style="text-align: center;">Wall Stop with Plate, Square</p> <ul style="list-style-type: none"> ▶ <i>Stainless Steel</i> ▶ <i>Wall mount</i> ▶ <i>Easy installation</i> ▶ <i>It can also be used as coat hook</i> ▶ <i>Durable rubber tip</i> ▶ <i>Residential and light commercial use</i> 	<p>Wood Screw w/ plastic plug: #6 x 1" Projection: 3 1/8"</p>	WSPS-01	US32D, US32
 <p style="text-align: right;">NEW ITEM</p>	<p style="text-align: center;">Wall Bumper Concave</p> <ul style="list-style-type: none"> ▶ <i>Stainless Steel</i> ▶ <i>Wall mount</i> ▶ <i>Easy installation</i> ▶ <i>Durable rubber tip</i> ▶ <i>Residential and light commercial use</i> 	<p>Wood Screw w/ plastic plug: #8 x 1" Projection: 1 9/16"</p>	WBC-06	US32D, US32

FLOOR DOOR STOPS

	<p style="text-align: center;">Floor Stops</p> <ul style="list-style-type: none"> ▶ <i>Commercial grade wall floor stop for high traffic conditions. Solid Cast Brass or Bronze heavy duty construction</i> ▶ <i>Architectural finishes available</i> ▶ <i>Conforms to ANSI: A156.16, BHMA:L12131, FED SPEC:1328E</i> 	<p>Base Diameter: 2" Overall Height: 3"</p>	CFS20	US3, 26D, US10B
 <p style="text-align: right;">NEW ITEM</p>	<p style="text-align: center;">Floor Stops</p> <ul style="list-style-type: none"> ▶ <i>Commercial grade wall floor stop for high traffic conditions. Solid Cast Brass.</i> ▶ <i>Architectural finishes available</i> ▶ <i>Conforms to ANSI: A156.16, BHMA:L12131, FED SPEC:1328E</i> ▶ <i>With 3 mounting holes</i> 	<p>Base Diameter: 2 1/4" Overall Height: 3 1/8" Fastener: #10 x 1" OPHWS w/ plastic anchor</p>	3CFS-85	US26D, US10B
 <p style="text-align: right;">NEW ITEM</p> <p>LSDC-315 SDC-115</p>	<p style="text-align: center;">Security Door Stops</p> <ul style="list-style-type: none"> ▶ <i>Designed for high traffic, abusive and security applications</i> ▶ <i>Flame resistant, resilient material molded around a heavy duty stud</i> 	<p>Stud Dimensions: 5/8" x 2 1/2" Bumpers: 2" dia. x 3 1/2" h</p>	LSDC-315	Black
		<p>Stud Dimensions: 5/8" x 2 1/2" Bumpers: 2" dia. x 1 1/2" h</p>	SDC-115	

Specification Sheets available for submittal purposes at www.cal-royal.com. Click on "Specification Sheets Image"

FLOOR DOOR STOPS

ILLUSTRATION	ITEM	SIZE	ITEM #	FINISH
	<p>Goose Neck Floor Stop</p> <ul style="list-style-type: none"> ▶ Heavy Duty Cast Brass floor stop ▶ Smooth and aerodynamic design provides minimum obstruction to cleaning efforts ▶ Conforms to ANSI / BHMA 156.16, L12131 for Brass ▶ Architectural finishes available 	<p>Base Depth: 1 3/4"</p> <p>Overall Height: 2 1/8"</p> <p>Overall Length: 2 1/4"</p>	GS118	<p>US3, 4, 5</p> <p>US26, 26D,</p> <p>US10,10B,</p> <p>US15, 15A</p>
	<p>Goose Neck Floor Stop</p> <ul style="list-style-type: none"> ▶ Heavy Duty Cast Brass floor stop ▶ Smooth and aerodynamic design provides minimum obstruction to cleaning efforts ▶ Conforms to ANSI / BHMA 156.16, L12131 for Brass ▶ Architectural finishes available 	<p>Base Depth: 1 3/8"</p> <p>Overall Height: 2 3/4"</p> <p>Overall Length: 2 1/2"</p>	GS119	<p>US3, 4, 5,</p> <p>US26, 26D,</p> <p>US10,10B,</p> <p>US15, 15A</p>
	<p>Small Goose Neck Floor Stops</p> <ul style="list-style-type: none"> ▶ For light to medium duty doors ▶ Easy installation ▶ Durable vinyl rubber stops that comes in black or grey ▶ Solid Brass material ▶ Architectural finishes available 	<p>Height: 1 1/4";</p> <p>Base: 1 1/8";</p> <p>Projection: 1 1/4"</p>	SMGNS-1	<p>US3, US5,</p> <p>US10B, 15,</p> <p>US15A, 26,</p> <p>US26D</p>
 <p style="text-align: center;">DSHP18 DSLP4</p>	<p>Floor Dome Stops</p> <ul style="list-style-type: none"> ▶ For doors with threshold or undercut doors ▶ Heavy Duty Cast Dome Stops constructed of Solid Brass ▶ DSLP4 conforms to ANSI / BHMA 156.6, L12141 Low profile ▶ DSHP18 conforms to ANSI / BHMA 156.6, L12161 High Profile ▶ Architectural finishes available 	<p>Base Height: 3/8"</p> <p>Overall Height: 1 3/8"</p> <p>Base Diameter: 1 3/4"</p>	DSHP18	<p>US3, 4, 5,</p> <p>US10, 10B,</p> <p>US15, 15A,</p> <p>US26, 26D,</p> <p>US32D</p>
		<p>Base Height: 1/8"</p> <p>Overall Height: 1"</p> <p>Base Diameter: 1 3/4"</p>	DSLP4	
	<p>Heavy Duty Dome Stop</p> <ul style="list-style-type: none"> ▶ Heavy Duty Cast Brass dome stop designed for both low and high profiles. ▶ Meets ANSI / BHMA 156.1, L12161 when used as DSLP4 	<p>Base Diameter: 1 3/4"</p> <p>Base: 1/4"</p> <p>Height: 1 5/8"</p> <p>Fastener: #14 x 1 1/2" wood screw w/ plastic shield and 1/4" - 20 x 3/4" machine screw with lead anchor</p>	UNDS14	<p>US3, 4, 5,</p> <p>US10,10B,</p> <p>US15, 26,</p> <p>US26D</p>
 <p style="text-align: center;">RIS375 RIS625</p>	<p>Risers</p> <ul style="list-style-type: none"> ▶ Extruded Aluminum, mill finish ▶ For conversion of DSLP4 or DSHP18 Dome Stop for carpet installation ▶ Available in 3/8" and 5/8" height 	<p>Length: 1 3/4"</p> <p>Width: 1 1/8"</p> <p>Height: 3/8"</p>	RIS375	<p>US26D</p>
		<p>Length: 1 3/4"</p> <p>Width: 1 1/8"</p> <p>Height: 5/8"</p>	RIS625	

Specification Sheets available for submittal purposes at www.cal-royal.com. Click on "Specification Sheets Image"

FLOOR DOOR STOPS				
ILLUSTRATION	ITEM	SIZE	ITEM #	FINISH
	<p>Risers</p> <ul style="list-style-type: none"> ▶ Heavy Duty Diecast construction ▶ For conversion of DSLP4 or DSHP18 Dome Stop for carpet installation or adapting to threshold use ▶ Conforms to ANSI / BHMA 156.1, L12161 when used with DSLP4 ▶ Architectural finishes available 	<p>Base Diameter: 1 3/4"</p> <p>Height: 5/16"</p>	NEWRIS3750	US3, 4, 5, US10, 10B, US15, 15A, US26, 26D
 NEW ITEM	<p>Cylindrical Floor Mount Door Stop</p> <ul style="list-style-type: none"> ▶ Stainless Steel ▶ Floor mount ▶ Easy installation ▶ Durable rubber tip ▶ Residential and light commercial use 	<p>Wood Screw w/ plastic plug: #4 x 1 1/2"</p> <p>Projection: 1 9/16"</p>	EUS-03	US32D, US32
 NEW ITEM	<p>Square Floor Mount Door Stop</p> <ul style="list-style-type: none"> ▶ Stainless Steel ▶ Floor mount ▶ Easy installation ▶ Durable rubber tip ▶ Residential and light commercial use 	<p>Wood Screw w/ plastic plug: #4 x 1 1/2"</p> <p>Projection: 1 9/16"</p>	EUS-05	US32D, US32
 NEW ITEM	<p>Floor Mount or Wall Mount Door Stop</p> <ul style="list-style-type: none"> ▶ Stainless Steel ▶ Floor mount or wall mount ▶ Easy installation ▶ Durable rubber tip ▶ Residential and light commercial use 	<p>Wood Screw w/ plastic plug: #8 x 1 1/4"</p> <p>Projection: 2"</p>	EUS-07	US32D, US32
 NEW ITEM	<p>Door Stop Flat Top</p> <ul style="list-style-type: none"> ▶ Stainless Steel door stop ▶ Floor Mount ▶ Easy installation ▶ Durable rubber tip ▶ Residential and light commercial use 	<p>Wood Screw w/ plastic plug: #10 x 1 1/4"</p> <p>Projection: 13/16"</p>	DSFT-5	US32D, US32
DOOR HOLDER / STOPS				
	<p>Solid Brass Kick Down Door Holder</p> <ul style="list-style-type: none"> ▶ Black / Grey Vinyl rubber stop with concentric groove design for maximum non-slide grip (#RUBSBDH) ▶ Conforms to ANSI / BHMA 156.16, L11383 ▶ Available in architectural finishes 	<p>Arm: 5"</p> <p>Base: 1 1/4" x 2"</p>	SBDH41300	US26, 3, 4, US26D, 10, US10B
	<p>Vinyl Rubber Stop for SBDH41300 and SBDH5</p> <ul style="list-style-type: none"> ▶ Vinyl rubber stop with concentric groove design for maximum non-slide grip ▶ For use as replacement tip for SBDH41300 and SBDH5 	<p>Base Dia: 1 1/8"</p>	RUBSBDH	Grey

Specification Sheets available for submittal purposes at www.cal-royal.com. Click on "Specification Sheets Image"

DOOR HOLDER / STOPS

ILLUSTRATION	ITEM	SIZE	ITEM #	FINISH
	<p style="text-align: center;">Zinc Diecast Kick Down Door Holder</p> <ul style="list-style-type: none"> ▶ Vinyl rubber stop with concentric groove design for maximum non-slide grip (#RUBDH25) ▶ Architectural finishes available 	Arm: 4" Base: 7/8" x 1 3/4"	DH25	US3, 26, US26D, Duro
	<p style="text-align: center;">Vinyl Rubber Stop for DH25</p> <ul style="list-style-type: none"> ▶ Vinyl rubber stop with concentric groove design for maximum non-slide grip ▶ For use as replacement tip for DH25 	Base Dia: 1 1/8"	RUBDH25	Grey
<div style="display: flex; justify-content: space-around; width: 100%;"> IRODH4 IRODH5 </div>	<p style="text-align: center;">Cast Iron Kick Down Door Holder</p> <ul style="list-style-type: none"> ▶ Black / Grey Vinyl rubber stop with concentric groove design for maximum non-slide grip ▶ Conforms to ANSI / BHMA 156.16, L11383 	Arm: 4" Arm: 5"	IRODH-4 IRODH-5	Alum, Duro
	<p style="text-align: center;">Solid Brass Kick Down Door Holder</p> <ul style="list-style-type: none"> ▶ Vinyl rubber stop with concentric groove design for maximum non-slide grip (#RUBSBDH) ▶ Conforms to ANSI / BHMA 156.16, L11382 ▶ Comparable to IVES #FS455 ▶ Architectural finishes available 	Arm: 5" Base: 7/8" x 1 3/4"	SBDH5	US3, 26D, US10, 10B, US26
	<p style="text-align: center;">Heavy Duty Commercial Grade Wall Door Stop</p> <ul style="list-style-type: none"> ▶ For high traffic conditions ▶ Solid Cast Brass or Bronze heavy duty construction ▶ Unit functions as stop but serves as a Hold-Open device when hook is manually engaged in strike ▶ Conforms to ANSI / BHMA 156.16, BHMA:L11351 for Brass, FED SPEC:1321E ▶ Architectural finishes available 	Base Diameter: 2 1/4" Projection: 3 5/8" Strike Height: 1 1/2" Strike Width: 1 3/16" Strike Projection: 1" Hook: 2 3/4" Eye: 1 3/8" x 1 1/8"	HDWDS99	US3, 26, US26D, US10B
	<p style="text-align: center;">Floor Door Stop & Manual Holder</p> <ul style="list-style-type: none"> ▶ Solid Cast Brass or Bronze heavy duty construction ▶ Unit functions as stop but serves as a Hold-Open device when hook is manually engaged in strike ▶ Conforms to ANSI / BHMA 156.16, BHMA:L11371, FED SPEC:1329E ▶ Architectural finishes available 	Base Diameter: 2" Height from floor to stop centerline: 2 5/8" Stop Dia: 1" Hook: 2 5/8" Eye: 1" x 1 1/2" Overall Height: 3 5/8"	HDFDSH66	US3,26D, US10B,26

Specification Sheets available for submittal purposes at www.cal-royal.com. Click on "Specification Sheets Image"

HINGE PIN DOOR STOPS

ILLUSTRATION	ITEM	SIZE	ITEM #	FINISH
	<p>Jumbo Heavy Duty Hinge Pin Door Stop with Removable Nylon Bushing</p> <ul style="list-style-type: none"> ▶ Adjustable angle setting ▶ For commercial and residential grade hinges ▶ Comparable to IVES #69, 69F 	<p>Hinge Pin Diameter 1/4" or 5/16"</p> <p>HINGE SIZES: 3 1/2" x 3 1/2", 4" x 4", 4 1/2" x 4 1/2"</p>	<p>IVHP23 (Commercial and Residential use)</p>	<p>US3, 5, 26, US26D, 15, US15A, 10B</p>
	<p>Jumbo Hinge Pin Door Stop with Removable Nylon Bushing</p> <ul style="list-style-type: none"> ▶ Easy installation ▶ For use with commercial and residential door hinges ▶ Architectural finishes available 	<p>Hinge Pin Diameter 1/4" or 5/16"</p> <p>HINGE SIZES: 3 1/2" x 3 1/2", 4" x 4", 4 1/2" x 4 1/2"</p>	<p>JHP11 (Commercial and Residential use)</p>	<p>US3, 5, 26, US15, 15A, US10B</p>
	<p>Deluxe Hinge Pin Door Stop with Removable Nylon Bushing</p> <ul style="list-style-type: none"> ▶ Easy installation ▶ For use with residential door hinges ▶ Architectural finishes available 	<p>Hinge Pin Diameter: 1/4"</p> <p>HINGE SIZES: 3 1/2" x 3 1/2", 4" x 4"</p>	<p>NHP78 (Recommended for Residential use)</p>	<p>US3, 5, 26, US26D, 15, US15A, 10B</p>
<p>DSL81</p> <p>DSHD105</p>	<p>Hinge Pin Stop with Removable Nylon Bushing</p> <ul style="list-style-type: none"> ▶ Adjustable angle setting ▶ Comparable to IVES #69, 69F ▶ Architectural finishes available 	<p>Hinge Pin Diameter 1/4" or 5/16"</p> <p>HINGE SIZES: 3 1/2" x 3 1/2", 4" x 4"</p>	<p>DSL81 (Recommended for Residential use)</p>	<p>US3, 5, 10B, US15, 15A, US26, 26D</p>
		<p>Hinge Pin Diameter 1/4" or 5/16"</p> <p>HINGE SIZES: 3 1/2" x 3 1/2", 4" x 4", 1/2" x 4 1/2"</p>	<p>DSHD105 (Recommended for Commercial use)</p>	
	<p>Residential Hinge Pin Door Stop with Removable Nylon Bushing</p> <ul style="list-style-type: none"> ▶ Easy installation ▶ For use on residential hinges ▶ Architectural finishes available 	<p>Hinge Pin Diameter: 1/4"</p> <p>HINGE SIZES: 3 1/2" x 3 1/2", 4" x 4"</p>	<p>HP95 (Recommended for Residential use)</p>	<p>US3, 5, 26, US15, 15A, US10B</p>

Specification Sheets available for submittal purposes at www.cal-royal.com. Click on "Specification Sheets Image"

CLOSET HARDWARE

ILLUSTRATION	ITEM	SIZE	ITEM #	FINISH
 <p>Labels in illustration: OVLCLRH-20, OVLCLR-408 / OVLCLR-5012, OVLCLRB-10</p> <p>NEW ITEM</p>	<p style="text-align: center;">Oval Closet Rod</p> <ul style="list-style-type: none"> ▶ Steel material ▶ Available in 2 lengths ▶ Individually poly-bagged 	<p>8' Closet Rod Dimensions: 5/8" x 1 3/16"</p>	OVLCLR-408	US26
		<p>12' Closet Rod Dimensions: 5/8" x 1 3/16"</p>	OVLCLR-5012	US26
	<p style="text-align: center;">Closet Rod Bracket</p> <ul style="list-style-type: none"> ▶ Zinc Alloy material ▶ Packed 2 pieces in nylon bag with screws 	<p>Dim: 1 1/4" CTC Projection: 1/2" Fasteners: #6 x 1" Wood Screws</p>	OVLCLRB-10	US26
	<p style="text-align: center;">Closet Rod Holder</p> <ul style="list-style-type: none"> ▶ Zinc Alloy material ▶ Individually packed in nylon bag with screws 	<p>Dim: 1 1/4" CTC Projection: 3" Fasteners: #6 x 1" Wood Screws</p>	OVLCLRH-20	US26
	<p style="text-align: center;">Adjustable Closet Rod</p> <ul style="list-style-type: none"> ▶ Sturdy Steel material ▶ Individually poly-bagged with installation screws ▶ Gauge: 0.050" ▶ Adjustable rods in various lengths ▶ Zinc finish 	10" to 30"	ACR1830	Bright Zinc
		30" to 48"	ACR3048	
		48" to 72"	ACR4872	
		72" to 96"	ACR7296	
		72" to 120"	ACR72120	
		96" to 150"	ACR96150	
	<p style="text-align: center;">Adjustable Shelf and Rod Support</p> <ul style="list-style-type: none"> ▶ Sturdy Steel material ▶ Individually poly-bagged ▶ Screws packed individually with bracket 	<p>Support shelf up to 14" wide Rod up to 1 1/2" dia.</p>	ASR-41	White
	<p style="text-align: center;">Adjustable Shelf Support</p> <ul style="list-style-type: none"> ▶ Sturdy Steel material ▶ Individually poly-bagged ▶ Screws packed individually with bracket 	<p>Support shelf up to 14" wide</p>	ADJ42	White
	<p style="text-align: center;">Single Shelf and Rod Support</p> <ul style="list-style-type: none"> ▶ Sturdy Steel material ▶ Individually poly-bagged ▶ Screws packed individually with bracket 	<p>Support shelf up to 14" wide Rod up to 1 1/2" dia.</p>	SR27	White

Specification Sheets available for submittal purposes at www.cal-royal.com. Click on "Specification Sheets Image"

CLOSET HARDWARE

ILLUSTRATION	ITEM	SIZE	ITEM #	FINISH
	<p style="text-align: center;">Heavy Duty Shelf and Rod Support</p> <ul style="list-style-type: none"> ▶ Easy installation ▶ Individually poly-bagged ▶ Architectural finishes available 	Support shelf up to 14" wide Rod up to 1 1/2" dia.	FSR123	White
	<p style="text-align: center;">Closet Pole Socket</p> <ul style="list-style-type: none"> ▶ Nylon material ▶ Paired Set 	1 3/8" Pole	PS99	White
	<p style="text-align: center;">Steel Closet Pole Socket</p> <ul style="list-style-type: none"> ▶ Sturdy Steel material ▶ Paired Set 	1 3/8" Pole	MPS3	US3, 26
	<p style="text-align: center;">Wood Closet Pole Socket</p> <ul style="list-style-type: none"> ▶ Natural Wood material ▶ Paired Set 	1 3/8" dia.	WDPS 82	Wood Grain
	<p style="text-align: center;">Jumbo Roller Catch</p> <ul style="list-style-type: none"> ▶ Steel Construction ▶ Conforms to ANSI / BHMA A156.9 B83112 	Size 2" Strike: 1 1/4" x 7/8" Square Corner	RC88	US3, 10B, Zinc
	<p style="text-align: center;">Solid Brass Adjustable Ball Catches</p> <ul style="list-style-type: none"> ▶ Manufactured from Wrought Brass ▶ Adjustable threaded barrel for accommodating various door clearances ▶ Conforms to ANSI / BHMA A156.9 B23013 ▶ Architectural finishes available 	Face Plate: 2 1/8" x 1" Round Corner Bore: 3/4" x 1 1/4" Square Lip Strike: 1 3/8" x 2 1/8" Lip to Center: 7/8"	SBBC58 (Brass)	US3, 5, 10B US15, 15A, US26, 26D
<p>BC97</p> <p>STRKBC97</p>	<p style="text-align: center;">Adjustable Ball Catch</p> <ul style="list-style-type: none"> ▶ Manufactured from Wrought Brass ▶ Adjustable threaded barrel for accommodating various door clearances ▶ Conforms to ANSI / BHMA A156.9 B23013 ▶ Architectural finishes available 	Face Plate: 2 1/4" x 1" Square Corner Bore: 7/8" x 1 1/4" Round Corner Strike: 1 3/8" x 2 1/4" Lip to Center: 7/8"	BC97 (Diecast)	US3, 5, 10B US15, 15A, US26, 26D
		Full Lip Strike Plate Round Corner for BC97 and DIB1 Size: 1 3/8" x 2 1/4"	STRKBC97	

Specification Sheets available for submittal purposes at www.cal-royal.com. Click on "Specification Sheets Image"

CLOSET HARDWARE

ILLUSTRATION	ITEM	SIZE	ITEM #	FINISH
	<p>Adjustable Drive-In Ball Catches</p> <ul style="list-style-type: none"> ▶ Generally used on closet doors where latch is not used or needed ▶ Diecast material ▶ Jamb-mounted lip strike ▶ Conforms to ANSI / BHMA A156.9 B23013 ▶ Architectural finishes available 	<p>$1\frac{5}{16}$" Bore Strike Size: $1\frac{3}{8}$" x $2\frac{1}{4}$" Round Corner</p>	DIB1	<p>US3, 5, 26, US26D, 15, US15A, 10B</p>
			BLKDIB777 (Bulk Packed)	
	<p>Adjustable Roller Catch</p> <ul style="list-style-type: none"> ▶ Soft latching action. Speed nylon roller for maximum performance ▶ Adjustable tension 4 – 17 lbs of holding power. Installs easily on thin doors. Includes Brass full lip strike ▶ Conforms to ANSI / BHMA A156.16 L27081 for Brass and L87081 for Steel 	<p>Face Plate: $2\frac{1}{4}$" x $\frac{7}{8}$" Bore: $1\frac{3}{16}$" x $1\frac{3}{4}$" Strike: $2\frac{1}{4}$" x $1\frac{3}{4}$" Lip to Center: $1\frac{3}{16}$"</p>	ARCT3350	<p>US3, 26D, 15, US10B</p>
	<p>Bullet Catch</p> <ul style="list-style-type: none"> ▶ Ideal for cabinets and small door installations ▶ Made from Wrought Brass ▶ Architectural finishes available 	<p>Hole (door): $\frac{1}{2}$" dia. X $1\frac{1}{8}$" Strikes (Square): $\frac{5}{8}$" x $1\frac{1}{4}$" Strikes (Round): $1\frac{3}{8}$" x $2\frac{1}{4}$"</p>	BULCAT11	<p>US3, 5, 26, US15, 10B</p>
	<p>T-Strike for BULCAT11</p> <ul style="list-style-type: none"> ▶ Natural Wood material ▶ Paired Set 	<p>T-Strikes (optional): $\frac{7}{8}$" x $2\frac{1}{4}$"</p>	TCAT108	<p>US3, 5, 26, US15, 10B</p>
	<p>Solid Brass Drawer Pull</p> <ul style="list-style-type: none"> ▶ Includes Screws for $\frac{3}{4}$" – $1\frac{3}{8}$" thick drawers or doors ▶ Conforms to ANSI / BHMA A156.9 B22011 ▶ Architectural finishes available 	<p>Dia. of Rod : 3", $\frac{5}{16}$"</p>	WP300	<p>US3, 26, 26D, US10B</p>
		<p>Dia. of Rod: $3\frac{1}{2}$", $\frac{5}{16}$"</p>	WP350	
		<p>Dia. of Rod: 4", $\frac{5}{16}$"</p>	WP400	

Specification Sheets available for submittal purposes at www.cal-royal.com. Click on "Specification Sheets Image"

CLOSET HARDWARE

ILLUSTRATION	ITEM	SIZE	ITEM #	FINISH
	<p>Heavy Duty Magnetic Catch</p> <ul style="list-style-type: none"> ▶ <i>Dual triple pole. Self-aligning magnets for maximum pull surface or mortise mounted steel case</i> ▶ <i>Individually packed with sheet metal screws, 3 strikes</i> ▶ <i>Conforms to ANSI / BHMA A156.9 B4316</i> 	<p>Length: 3 1/8" Thickness: 7/8" Depth: 1" Load Capacity: 14 lbs.</p>	HDMC3270	Aluminum
	<p>Triple Pole Magnetic Catch</p> <ul style="list-style-type: none"> ▶ <i>Triple pole. Self-aligning magnets for maximum pull. Adjustable steel case</i> ▶ <i>Individually packed with sheet metal screws, 1 strike size</i> ▶ <i>Conforms to ANSI / BHMA A156.9</i> 	<p>Length: 2 1/16" Thickness: 7/8" Depth: 1 5/32" Load Capacity: 6 lbs.</p>	TPMC3230	Aluminum
	<p>Bi-Fold Ball Knob</p> <ul style="list-style-type: none"> ▶ <i>Diecast material</i> ▶ <i>Packed with 1 breakaway screw to accommodate different cabinet thickness (from 1 5/8" to 2") and one 1 3/4" screw</i> ▶ <i>Architectural finishes available</i> 	<p>Diameter: 1 1/4" Height: 1 3/8"</p>	BK14	US3, 5, 26, US26D, 15, US15A, 10B
	<p>Back Plate for BK14 Bi-fold Ball Knob</p> <ul style="list-style-type: none"> ▶ <i>Diecast material</i> ▶ <i>Conforms to ANSI / BHMA A156.9 B221181</i> ▶ <i>Architectural finishes available</i> 	<p>Diameter: 1 3/4"</p>	PLA2	US3, 5, 26, US26D, 15, US15A, 10B
	<p>Coat and Hat Hook</p> <ul style="list-style-type: none"> ▶ <i>Diecast material</i> ▶ <i>Individually poly-bagged</i> ▶ <i>Conforms to ANSI / BHMA A156.16 B221181</i> 	<p>Projection: 2 7/8" Base dimension: 1" (W) x 1 1/2" (L)</p>	CH28	US3, 26
	<p>Bi-Fold Concave Knob</p> <ul style="list-style-type: none"> ▶ <i>Beveled edge</i> ▶ <i>Packed with 1" screw</i> ▶ <i>Cast material</i> 	<p>Diameter: 1 3/8"</p>	CK130	US3, 5, 26D
 <p style="text-align: center;">DIFP218 FP98</p>	<p>Drive In Finger Pull</p> <ul style="list-style-type: none"> ▶ <i>Individually poly-bagged</i> ▶ <i>Ideal for sliding doors</i> ▶ <i>Conforms to ANSI / BHMA A156.16 B22201 and A156.14 D2781</i> 	<p>Diameter: 2 1/8"</p>	DIFP218 (Without Nail) FP98 (With Nail)	US3, 5, 10B, US15, 15A, US26, 26D

Specification Sheets available for submittal purposes at www.cal-royal.com. Click on "Specification Sheets Image"

DOUBLE-ACTING FLOOR SPRING HINGE

ILLUSTRATION	ITEM	SIZE	ITEM #	FINISH
	<p style="text-align: center;">Double-Acting Residential Floor Spring Hinge</p> <ul style="list-style-type: none"> ▶ Double acting, spring tension ▶ Steel trim ▶ Heavy Duty ball bearing type with 90° Hold Open ▶ Can hold doors up to 90 lbs. ▶ Door Range 1 1/8" – 1 3/4" 	<p style="text-align: center;">Door Range 1 1/8" – 1 3/4" Door Prep: 8 1/8"(L) x 1 1/2"(H)</p>	DAFH8	US3, 5, 15, US10B, US26D

CRASH CHAINS AND BOLTS

	<p style="text-align: center;">Single Spring Crash Chain Door Guard</p> <ul style="list-style-type: none"> ▶ Protects doors, hinges and glass from wind damage ▶ Made with heavy gauge zinc brackets and steel chain 13/16" diameter spring ▶ Individually poly-bagged with mounting screws 	<p style="text-align: center;">Chain: 21 3/4" Spring Dia: 13/16"</p>	CCD30	Zinc
--	---	--	-------	------

	<p style="text-align: center;">Single Spring Crash Chain Door Guard (with VINYL)</p> <ul style="list-style-type: none"> ▶ Protects doors, hinges and glass from wind damage ▶ Made with heavy gauge zinc brackets and steel chain 13/16" diameter spring ▶ Individually poly-bagged with mounting screws ▶ Weather and rip resistant vinyl cover 	<p style="text-align: center;">Chain: 21 3/4" Spring Dia: 13/16"</p>	CDV24	Zinc
--	---	--	-------	------

	<p style="text-align: center;">Super Heavy Duty Adjustable Chain Door Stop with Vinyl Cover</p> <ul style="list-style-type: none"> ▶ Heavy Duty compression spring on both ends of chain and end brackets ▶ Thick gauge steel brackets ▶ Welded solid steel chains ▶ Conforms to ANSI / BHMA A156.16 L12231 (Grade 1) ▶ Weather and rip resistant vinyl cover ▶ Comparable to IVES #115 	<p style="text-align: center;">Adjustable 20" to 30 1/2" Spring Dia: 13/16"</p>	HDCDV-48	US26D
--	--	---	----------	-------

	<p style="text-align: center;">24" Chain Bolt Hardened Steel</p> <ul style="list-style-type: none"> ▶ Supplement to a regular door lock for added security on cabinet, double screen, garage and industrial doors ▶ Zinc plated ▶ Can be used on doors opening in by reversing the square bolt ▶ Equipped with a strong hard-drawn wire spring which throws the bolt automatically when chain is released ▶ Individually poly-bagged with strike and screws 	<p style="text-align: center;">Full 24" Chain</p>	CB6	Zinc Chromium
--	---	---	-----	------------------

Specification Sheets available for submittal purposes at www.cal-royal.com. Click on "Specification Sheets Image"

SURFACE OVERHEAD DOOR HOLDER AND STOPS

Cal-Royal CR550 Series holders and stops are designed to give dependable surface-mounted overhead door control for medium to light duty applications. They come in a wide assortment of architectural finishes. The CR550 series holders and stops can be installed in almost all types of doors and frames including doors with conventional butt hinges, offset pivots, continuous hinges, swing clear hinges and other specialty hinges. They can be mounted to accommodate 85° - 110° door opening. Each door holder and stop models come in four different sizes.

CR550 SERIES

- Limits door swing
- Non-Handed / Reversible
- Built-in cushioned stop
- Available stop only or stop / hold
- Automatic hold-open and release by push and pull on door
- Hold-open can be disengaged to act as stop only
- Heavy shock absorber spring provides compression before dead stop
- Screw packet included to allow for installation in wood or metal door and frame
- Maximum opening 110°, minimum door thickness 1 3/8"
- Available in architectural finishes
- ANSI A.156.8 UL Listed as STOP Function



ITEM NUMBER	SIZE	DOOR OPENING	FUNCTION	Cal-Royal CR550 series holders and stops are designed for medium to light-duty applications. Generally used for openings that are subject to normal traffic activity, thus extending the life of doors, frames, hinges and walls or obstructions.
CR552S	2	23 1/16" - 27"	STOP ONLY	Material: Channel is made of steel or stainless steel 3/4" deep, 3/4" wide and 0.050" thick; arm is made of steel or stainless steel 3/4" wide, 3/16" thick; standard jamb bracket is made of steel or stainless steel 3/4" wide, 2 7/8" long, 3/16" thick. Finish: Available in architectural finishes. UL Listed for STOP only function.
CR553S	3	27 1/16" - 33"		
CR554S	4	33 1/16" - 39"		
CR555S	5	39 1/16" - 45"		
CR552H	2	23 1/16" - 27"	HOLD OPEN	
CR553H	3	27 1/16" - 33"		
CR554H	4	33 1/16" - 39"		
CR555H	5	39 1/16" - 45"		

OVERHEAD STOPS AND HOLDERS CROSS-REFERENCE CHART

CAL-ROYAL	GLYNN JOHNSON	ABH	ROCKWOOD	RIXSON	DORMA
STOP ONLY					
CR552S	452S	4421	14421	10-236	701S
CR553S	453S	4422	14422	10-336	702S
CR554S	454S	4423	14423	10-436	703S
CR555S	455S	4424	14424	10-536	
HOLDER					
CR552H	452H	4411	14411	10-226	701H
CR553H	453H	4412	14412	10-326	702H
CR554H	454H	4413	14413	10-426	703H
CR555H	455H	4414	14414	10-526	

HANDICAP RESTROOM SIGNS (ADA) WITH BRAILLE

- ▶ Includes Tactile Characters & Grade 2 Braille
- ▶ Meets Size and Placement Specifications
- ▶ Double Faced Tape for Easy Installation

- ▶ Individually Poly-bagged
- ▶ Packed 10pcs. per Inner Box, 100 pcs. per Master Carton

ITEM	SIZE	ITEM #	FINISH
Men, with Braille, pictogram, text	6" x 9"	M68	Blue or Black
Men Handicap, with Braille, pictogram, text	6" x 9"	MH68	
Boys Handicap, with Braille, pictogram, text	6" x 9"	BOYH68	
Women, with Braille, pictogram, text	6" x 9"	W68	
Women Handicap, with Braille, pictogram, text	6" x 9"	WH68	
Girls Handicap, with Braille, pictogram, text	6" x 9"	GIRH68	
Unisex Restroom, with Braille, pictogram, text	6" x 9"	RS68	
Unisex Handicap Restroom, with Braille, pictogram, text	6" x 9"	RSH68	
No Smoking, with Braille, pictogram, text	6" x 9"	NS68	
Exit, with Braille, pictogram, text	6" x 9"	CAEXT69	
Exit Route, with Braille, text	6" x 6"	CAEXRT4534	
Men, with Braille, text	1 3/4" x 6"	M1346	
Women, with Braille, text	1 3/4" x 6"	W1346	
Restroom, with Braille, text	1 3/4" x 6"	RS1346	

Specification Sheets available for submittal purposes at www.cal-royal.com. Click on "Specification Sheets Image"



GIRH68



M68



W68



RS68



NS68



BOYH68



MH68



WH68



RSH68



CAEXT69



M1346



W1346



RS1346



CAEXRT4534

HANDICAP RESTROOM SIGNS (ADA) WITH BRAILLE

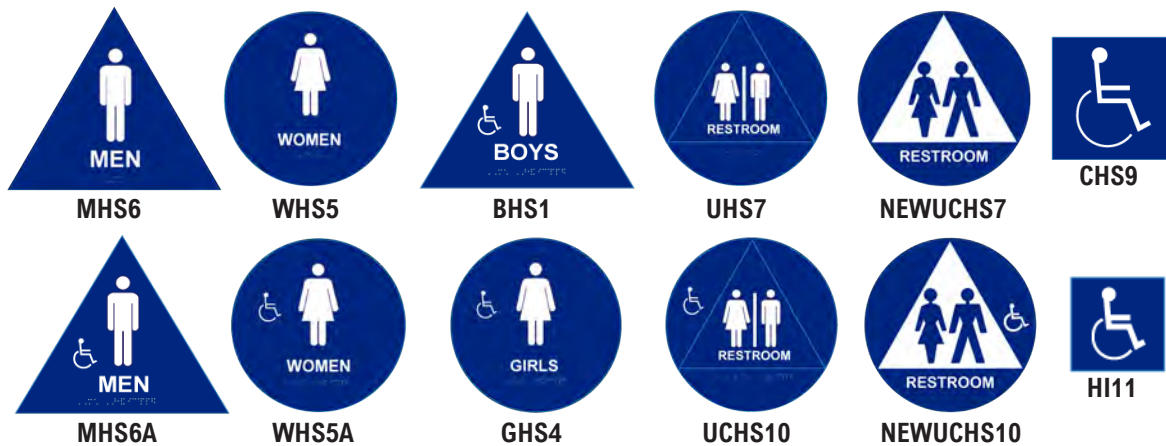
- ▶ *Complies to Exterior and Interior Handicap Accessible Restrooms and International Symbol of Signs*
- ▶ *Packed 10 pcs. per Inner Box, 100 pcs. per Master Carton (may vary depending on customers request)*
- ▶ *Raised Letters and Symbols*
- ▶ *Brailled for the Blind*
- ▶ *Double Faced Tape for Easy Installation*
- ▶ *Individually Poly-bagged*

ITEM	SIZE	ITEM #	FINISH
Women Sign, Raised and Braille	12" Circle	WHS5	Blue Only
Girls Sign, Raised and Braille	12" Circle	GHS4	
Men Sign, Raised and Braille	10 ½" High Triangle	MHS6	
Boys Sign, Raised and Braille	10 ½" High Triangle	BHS1	
Women Sign, Raised and Braille, and Handicap Logo	12" Circle	WHS5A	Blue or Black
Men Sign, Raised and Braille, and Handicap Logo	10 ½" High Triangle	MHS6A	
Unisex, Raised and Braille	12" Circle	UHS7	
Unisex, Raised and Braille, and Handicap Logo	12" Circle	UCHS10	
Unisex, Raised and Braille	12" Circle	NEWUCHS7	
Unisex, Raised and Braille, and Handicap Logo	12" Circle	NEWUCHS10	

DECALS AND STICKERS

Blue Square Plastic Sign and Handicap Logo	8" x 8"	CHS9	Blue
Blue Insignia Handicap Logo	4" x 4"	HI11	White on Blue
This door to remain unlocked during business hours	1 ½" x 24"	WDC13	White on Black
This door to remain unlocked during business hours	1 ½" x 24"	BDC12	Black on Clear
These doors to remain unlocked during business hours	1 ½" x 24"	TDUW8	White on Black
These doors to remain unlocked during business hours	1 ½" x 24"	TDUB1	Black on Clear
This door to remain unlocked when building is occupied	1 ½" x 27 ½"	BDO-5	Black on Clear
This door to remain unlocked when building is occupied	1 ½" x 27 ½"	WDO-11	White on Black
These doors to remain unlocked when building is occupied	1 ½" x 27 ½"	TWOC-14	White on Black
These doors to remain unlocked when building is occupied	1 ½" x 27 ½"	TBOC-19	Black on Clear

Specification Sheets available for submittal purposes at www.cal-royal.com. Click on "Specification Sheets Image"



THIS DOOR TO REMAIN UNLOCKED DURING BUSINESS HOURS
WDC13

THIS DOOR TO REMAIN UNLOCKED DURING BUSINESS HOURS
BDC12

THESE DOORS TO REMAIN UNLOCKED DURING BUSINESS HOURS
TDUW8

THESE DOORS TO REMAIN UNLOCKED DURING BUSINESS HOURS
TDUB1

THIS DOOR TO REMAIN UNLOCKED WHEN BUILDING IS OCCUPIED
WDO-11

THIS DOOR TO REMAIN UNLOCKED WHEN BUILDING IS OCCUPIED
BDO-5

THESE DOORS TO REMAIN UNLOCKED WHEN BUILDING IS OCCUPIED
TWOC-14

THESE DOORS TO REMAIN UNLOCKED WHEN BUILDING IS OCCUPIED
TBOC-19

CALIFORNIA-APPROVED RESTROOM SIGNS WITH BRAILLE

- ▶ Includes Tactile Characters & Contracted Grade 2 Braille
- ▶ Meets Size and Placement Specifications
- ▶ Double Faced Tape for Easy Installation
- ▶ Individually Poly-bagged
- ▶ Packed 10pcs. per Inner Box, 100 pcs. per Master Carton

ITEM	SIZE	ITEM #	FINISH
Men Handicap, with Braille, pictogram, text	6" x 9"	CAMH69	Blue
Women Handicap, with Braille, pictogram, text	6" x 9"	CAWH69	
Unisex Restroom Handicap, with Braille, pictogram, text	6" x 9"	CARSH69	
Handicap Accessible, with Braille, pictogram, text	6" x 9"	CACCS69	
Exit, with Braille, text	6" x 9"	CAEXT69	Blue or Black
Men, with Braille, text	1 3/4" x 8"	CAM1348	Blue
Women, with Braille, text	1 3/4" x 8"	CAW1348	
Restroom, with Braille, text	1 3/4" x 8"	CARS1348	

Specification Sheets available for submittal purposes at www.cal-royal.com. Click on "Specification Sheets Image"



CAMH69



CAWH69



CARSH69



CAEXT69



CACCS69



CAM1348



CAW1348



CARS1348

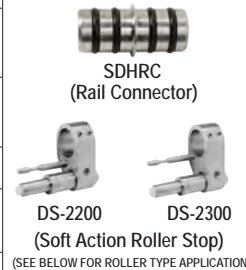
SLIDING DOOR HARDWARE

- ▶ Adds modern look to ordinary doors and doorways
- ▶ Ultra-quiet rollers and ball bearing wheels
- ▶ Excellent solution to create beautiful living spaces
- ▶ 304 Grade Stainless Steel

- ▶ Easy to assemble
- ▶ Includes standard bumpers on both sides
- ▶ **Optional Soft Action Stop or Soft Close System**
- ▶ Door & door handle not included

SPECIFICATIONS		
Max Weight for Wood and Glass Doors	200 lbs (90kg)	
Wood Door Thickness	1 3/8" - 1 9/16" (35 - 40 mm)	1 9/16" - 1 3/4" (40 - 45 mm)
Glass Door Thickness	5/16" - 3/8" (8 - 10 mm)	3/8" - 1/2" (10 - 12 mm)
Finish	Satin Stainless Steel (US32D)	
Sliding Rod Length	6' 6"	8' 2"
Max Door Opening	36"	48"

ACCESSORIES



SCSDH (Soft Close System)
Pair of Soft Close System at both ends. Comes as a complete set with door track and components. Easy installation on prefabricated roller track without the need to mortise on door. Can also be purchased as accessory only.



TYPE	MIN DOOR WT	MAX DOOR WT
SCS40	44 LBS (20 KG)	88 LBS (40 KG)
SCS80 *STANDARD	88 LBS (40 KG)	176 LBS (80 KG)

Select correct type of closer for maximum smooth closing operation. Refer to table for door weight limits.

SDH SERIES - STAINLESS STEEL SLIDING DOOR HARDWARE

FOR WOOD DOORS



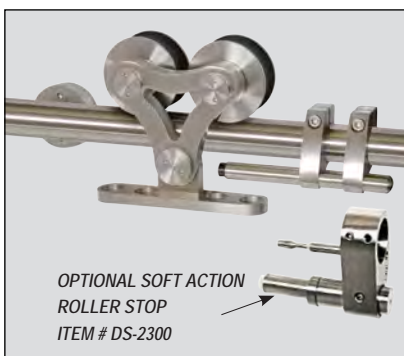
SDH10 (Track w/ Regular Stop)
SDH13 (Track w/ Soft Stop)
SCS8016 (Track w/ Soft Close System with SCS80)
SCS4016 (Track w/ Soft Close System with SCS40)

Finish: US32D
Mounting Style: Top
Design: Single Wheel



SDH11 (Track w/ Regular Stop)
SDH14 (Track w/ Soft Stop)
SCS8017 (Track w/ Soft Close System with SCS80)
SCS4017 (Track w/ Soft Close System with SCS40)

Finish: US32D
Mounting Style: Top
Design: Spoke Wheel



SDH12 (Track w/ Regular Stop)
SDH15 (Track w/ Soft Stop)
SCS8018 (Track w/ Soft Close System with SCS80)
SCS4018 (Track w/ Soft Close System with SCS40)

Finish: US32D
Mounting Style: Top
Design: Dual Wheel

FOR WOOD AND GLASS DOORS



FOR GLASS DOORS
SDH20 (Track w/ Regular Stop)
SDH23 (Track w/ Soft Stop)
SCS8025 (Track w/ Soft Close System with SCS80)
SCS4025 (Track w/ Soft Close System with SCS40)

FOR WOOD DOORS
SDH30 (Track w/ Regular Stop)
SDH33 (Track w/ Soft Stop)
SCS8035 (Track w/ Soft Close System with SCS80)
SCS4035 (Track w/ Soft Close System with SCS40)

Finish: US32D
Mounting Style: Surface
Design: Strap Single Wheel



FOR GLASS DOORS
SDH21 (Track w/ Regular Stop)
SDH24 (Track w/ Soft Stop)
SCS8026 (Track w/ Soft Close System with SCS80)
SCS4026 (Track w/ Soft Close System with SCS40)

FOR WOOD DOORS
SDH31 (Track w/ Regular Stop)
SDH34 (Track w/ Soft Stop)
SCS8036 (Track w/ Soft Close System)
SCS4036 (Track w/ Soft Close System with SCS40)

Finish: US32D
Mounting Style: Surface
Design: Strap Dual Wheel

SLIDING DOOR HARDWARE

- ▶ Blends seamlessly with modern, rustic, classic, or contemporary interior designs.
- ▶ **With optional Soft Close System**
- ▶ Provides a unique and clean look to any interior doorway or room divider
- ▶ Contains ultra-quiet rollers for smoother operation

- ▶ Includes standard bumpers on both sides
- ▶ Has a durable Powder Coated Matte Black finish
- ▶ Includes all mounting accessories for easy assembly
- ▶ **DOOR NOT INCLUDED.**

SPECIFICATIONS

Max Weight for Wood Door	265 lbs (120kg)	
Wood Door Thickness	1 3/8" - 1 9/16" (35 - 40 mm)	1 3/4" - 2" (45 - 50 mm)
Glass Door Thickness	5/16" - 3/8" (8 - 10 mm)	3/8" - 1/2" (10 - 12 mm)
Finish	Powder Coated Matte Black	
Sliding Rod Length	6' 6"	8' 0"
Max Door Opening	39"	47"
Included In Set	1 Sliding Rod, 2 Rollers, 2 Stoppers, 1 Floor Guide, and Complete Mounting Screws. Optional Soft Closer System.	

ACCESSORIES

BDHCP (Track Connector)
Securely connects 2 door tracks with easy installation.



SCSBDH (Soft Close System)
Pair of Soft Close System at both ends. Comes as a complete set with door track and components. Easy installation on roller track without the need to mortise on door.



BDH SERIES - BLACK BARN DOOR HARDWARE



Item: **BDH3166 (6 ft.)**
BDH3180 (8 ft.)

Tracks with Soft Close System:
SCSBDH3166 (6 ft.)
SCSBDH3180 (8 ft.)

Mounting Style: Top
Design: Single Wheel



Item: **BDH3366 (6 ft.)**
BDH3380 (8 ft.)

Tracks with Soft Close System:
SCSBDH3366 (6 ft.)
SCSBDH3380 (8 ft.)

Mounting Style: Surface
Design: Diamond



Item: **BDH3066 (6 ft.)**
BDH3080 (8 ft.)

Tracks with Soft Close System:
SCSBDH3066 (6 ft.)
SCSBDH3080 (8 ft.)

Mounting Style: Surface
Design: Strap Wheel



Item: **BDH3466 (6 ft.)**
BDH3480 (8 ft.)

Tracks with Soft Close System:
SCSBDH3466 (6 ft.)
SCSBDH3480 (8 ft.)

Mounting Style: Surface
Design: Horseshoe



Item: **BDH3266 (6 ft.)**
BDH3280 (8 ft.)

Tracks with Soft Close System:
SCSBDH3266 (6 ft.)
SCSBDH3280 (8 ft.)

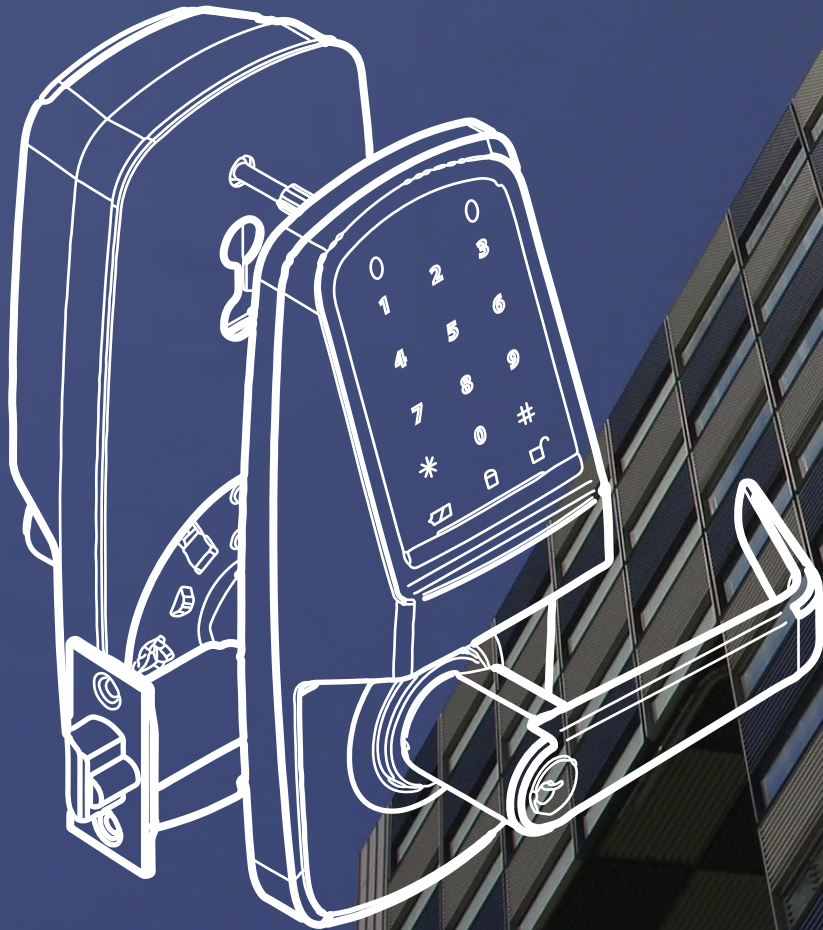
Mounting Style: Surface
Design: Arrowhead



Item: **BDPUL6000**
Flat Type Door Handle



ELECTRONIC + ELECTRIFIED





ELECTRONIC + ELECTRIFIED



ELECTRONIC AND ELECTRIFIED HARDWARE



GRADE 1



GRADE 2



DEADBOLTS



POWER TRANSFERS



POWER SUPPLIES



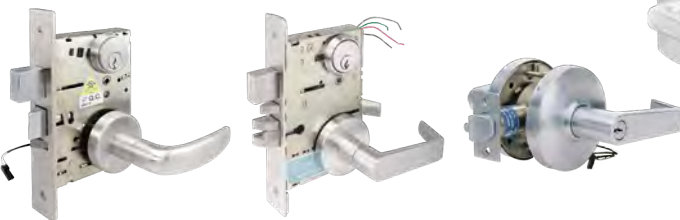
EXIT DEVICES



DOOR HOLDERS



EXIT TRIMS



MORTISE AND CYLINDRICAL LOCKS

TABLE OF CONTENTS

I. ELECTRONIC LOCKS

GRADE 1

CR3000..... 1
 CR6000..... 3
 PL7100..... 5

GRADE 2

RS2100..... 7
 CR9000..... 9

II. ELECTRONIC DEADBOLTS

GRADE 2

DB5000..... 11
 DB9000..... 13

MEETS GRADE 3 STANDARDS

ZWDB-10..... 15

III. ELECTRIFIED LOCKS

Mortise Locks..... 17
 Cylindrical Levers..... 18

IV. EXIT DEVICES & TRIMS

Delayed Egress..... 19
 Electrified Trims..... 21
 Electrical Latch Retraction (ELR)..... 24
 Switches..... 25

ELECTRONIC TRIMS

CRCODE-007..... 22
 CR4000..... 22
 CR5000..... 22
 Power Supplies..... 23

V. POWER TRANSFER

Electrified Hinges..... 26
 Continuous Geared Hinges..... 26
 CRPT Series..... 27

VI. ELECTRONIC DOOR HOLDERS

Magnetic Door Holders..... 28
 CR441EHO..... 29

CR3000

DIGITAL KEYPAD DOOR LOCK HEAVY DUTY GRADE 1

Available with Interchangeable Core

FEATURES

- MASTER CODE
- 10 MANAGER CODES
- 1 SUB-MASTER CODE
- 90 USER CODES
- 5 SERVICE CODES
- PASSAGE MODE
- WEATHER RESISTANT
- BUZZER & LED INDICATORS
- ANTI-TAMPER LOCKOUT
- LONG-LIFE BATTERY OPERATION
- 2 REMOTE SWITCHES
- INTERCHANGEABLE CORE
- CLUTCH TECHNOLOGY
- NON-HANDED, REVERSIBLE
- ENABLE & DISABLE USERS MODE
- TACTILE METAL KEYPAD
- USER FRIENDLY
- EASY INSTALLATION & PROGRAMMING
- 2 YEAR WARRANTY



Meets ADA requirements
Specially designed for Barrier Free Application
Conforms with ANSI A156.2 Series 4000, Grade 1
Exceeds 1,000,000 cycles



INTERIOR

SPECIFICATIONS

APPLICATIONS

For offices, schools, hospitals, apartments, hotel / motel, residential, commercial and public buildings.

DOOR RANGES

1 3/8" to 2" thickness.

BACKSET

2 3/4" Standard, 2 3/8", 3 3/4", 5" and 2 3/4" anti-friction latch with 3/4" throw for pair of fire doors optional.

LATCH FACEPLATE

Standard 2 1/4" x 1 1/8" for 2 3/4" backset.
Optional 2 1/4" x 1 1/8" for 2 3/8" backset.

STRIKES

ASA strike standard, "T" and full lip strike available on request.

ANSI STANDARDS

Meets or exceeds BHMA / ANSI A 156.2 Series 4000 Grade 1 requirements.

POWER SUPPLY

4 AA Batteries (comes standard in packing)

CLUTCH

Clutch technology allows turning of lever without retracting latch, thus prolonging the life of the lock by reducing stress on the spindle and other parts.

CYLINDER & KEYWAYS

6 pin solid brass "C" keyway standard. Schlage E, Schlage C-K, Russwin D1-2-3-4, Corbin-Russwin L4, Sargent LA-LB-LC, Falcon / Weiser E, Arrow A, Yale 8, Yale GA and Kwikset. Can also accept Medeco, Assa, Kaba and Cal-Royal (HSK) High Security Cylinders.

INTERCHANGEABLE CORE (IC)

Interchangeable Core locks will accept compatible 6 or 7 pin cores with BEST, FALCON and ARROW. Prefix "IC" before part number.

WEATHER RESISTANT

All models are weather resistant for temperature ranges of +158°F to -22°F (+70°C to -30°C).

KEYPAD

12 programmable buttons for multi-level access functions including group or individual user codes, master and management codes, passage and emergency or service codes.

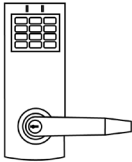
FINISHES AVAILABLE		
BHMA SYMBOL	US CODE	DESCRIPTION
626	US26D	Satin Chrome
613	US10B	Oil Rubbed Bronze



Refer to price list for stock finishes and functions

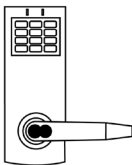
FUNCTIONS

CR3000



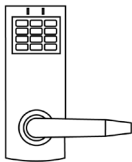
Latch bolt operated by lever from either side, except outside has to enter a pre-programmed code in the keypad in order to retract the latch upon turning the lever. Key overrides the use of the keypad.

ICCR3000



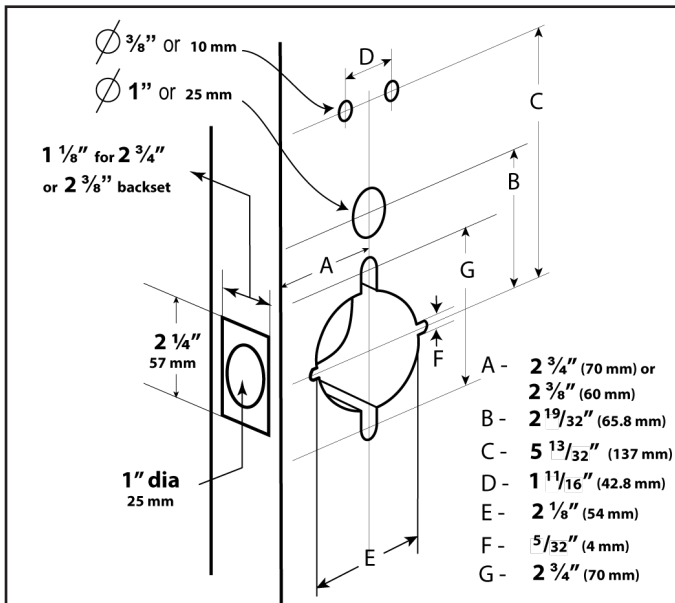
Latch bolt operated by lever from either side, except outside has to enter a pre-programmed code in the keypad in order to retract the latch upon turning the lever. Key overrides the use of the keypad. Available with Interchangeable Core.

CR3030



Latch bolt operated by lever from either side, except outside has to enter a pre-programmed code in the keypad in order to retract the latch upon turning the lever.

DOOR PREPARATION



FEATURES

- **Master Code** – performs all programming functions.
- **Sub-Master Code** – performs all programming functions except delete or change Master Code.
- **Manager Codes** – CR3000 can accommodate 10 Managers each having different codes and under each Manager has 9 Users (1 Manager + 9 Users = 1 Bank). Managers are capable of programming / adding and deleting User codes under his Bank. Managers are also capable of accessing the next higher Bank until another Manager Code appears.
- **Service Codes (5)** – are one-time codes only. It cannot be used again. Once a Service Code is entered, the unit will unlock but will automatically delete the code.
- **Passage Mode** – once enabled, the unit is unlocked continuously until "Disable Passage Mode" is initiated.
- **Tones and LED Indicators** – can be programmed for different settings. Making sure that every key pressed is confirmed by an accompanying LED and / or tone.
- **Next Free Code Location Finder** – no need of guessing what free location is available in entering a new code. CR3000 can pin point and tell you where the next available location is.
- **Code Locator Function** – CR3000 can tell you the exact location of a certain code. Making it easy to determine as to what manager a user code is under.
- **Keypad Anti-Tamper Lockout** – if an invalid code is entered 3 times in succession, the unit will turn off for 30 seconds to prevent tampering.
- **Remote Switch / Release** – CR3000 provides 2 Remote Switches. Either can be used for an emergency push button switch, or connected to alarm systems such as fire alarms.
- **Weather Resistant** – CR3000 are manufactured making sure that internal electronic parts are protected from moisture, dust, water and corrosion. All models are weather resistant for temperature ranges of +158°F to -22°F (+70°C to -30°C).
- **Clutch Technology** – the outside lever of the CR3000 is a free-wheeling lever. If no valid code is entered, the lever will just turn freely without moving any parts inside, thus preventing breaking or tampering.
- **Non-Handed** – CR3000 can be installed for both left and right door opening.

Ⓢ(IC) Indicates function available with BEST, FALCON & ARROW Interchangeable Core.

CR6000

DIGITAL TOUCH SCREEN DOOR LOCK
WITH CLUTCH TECHNOLOGY & RFID PROXIMITY CARD

Optional Interchangeable Core for Best, Falcon and Arrow

FEATURES

- MASTER CODE
- 3 MANAGER CODES
- 1,000 USER CODES (COMBINED RFID & USER PIN CODE)
- 3 SERVICE CODES
- PASSAGE MODE
- 4-6 DIGIT CODE COMBINATION
- WEATHER RESISTANT
- 9V BATTERY
- ANTI-TAMPER LOCKOUT
- LOCK-OUT MODE
- CLUTCH TECHNOLOGY
- NON-HANDED, REVERSIBLE
- TOUCH SCREEN
- WAKE-UP BUTTON
- PROXIMITY CARD (13.56 MHz)
- RFID KEYFOB
- EASY INSTALLATION AND PROGRAMMING
- USER FRIENDLY
- 2 YEAR WARRANTY



GN DESIGN
CR6000
ICCR6000

AT DESIGN
AT6000
ICAT6000



SPA DESIGN
SPA6000
ICSPA6000



PROXIMITY RFID CARD



RFID KEYFOB (optional)



9V EMERGENCY BATTERY PORT



INSIDE UNIT



SPECIFICATIONS

APPLICATIONS

For offices, schools, hospitals, apartments, condo units, hotel / motel, residential, commercial and public buildings.

DOOR RANGES

1 3/8" to 2".

BACKSET

2 3/4" standard or 2 3/8" optional backset.

LATCH FACEPLATE

Standard 1 1/8" x 2 1/4" for 2 3/4" backset.
Optional 1" x 2 1/4" for 2 3/8" backset.

STRIKES

ASA Strike standard, T and full lip strike available on request.

ANSI STANDARDS

Certified ANSI / BHMA A 156.2 Series 4000 Grade 1 requirements.

CLUTCH

Clutch technology allows turning of lever without retracting latch, thus prolonging the life of the lock by reducing stress on the spindle and other parts.

PROXIMITY CARD (STANDARD)

Compatible with existing MIFARE infrastructures. Operates at 13.56 MHz in accordance with ISO 14443A. Inductive distance up to 1 3/16".

CYLINDER

6-pin solid brass "Schlage C" keyway standard with two brass keys per lock.

RFID KEYFOB (OPTIONAL)

Operates at 13.56 MHz in accordance with ISO 14443A. Inductive distance up to 1 3/16".

INTERCHANGEABLE CORE (IC)

Interchangeable Core locks will accept compatible 6 or 7 pin cores with BEST and FALCON. Prefix "IC" before part number.

WEATHER RESISTANT

All models are weather resistant for temperature ranges of -30°F ~ 150°F (-35°C ~ 66°C).

TOUCH SCREEN

Responds to human touch enabling convenient entrance or access to programming menu. After operation has been completed, the lock reverts to sleep mode.

FINISHES AVAILABLE		
BHMA SYMBOL	US CODE	DESCRIPTION
626	US26D	Satin Chrome
613	US10B	Oil Rubbed Bronze
606	US4	Satin Brass
605	US3	Bright Brass
625	US26	Bright Chrome



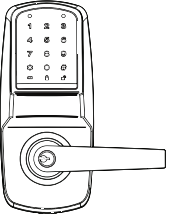
FEATURES

- **Master PIN Code** - Use for programming the lock and entering Manager and User PIN codes. Can also be use to open the lock and reset to factory settings.
- **Manager PIN Code** - Use to open the door with lock out mode. Also functions like a User PIN code. This feature can also program 3 one-time user codes.
- **User PIN Code** - This feature only opens the lock by entering the code on the touch pad. It won't be able to program or change settings. This lock can accommodate up to 1000, 3 to 6 digits combined RFID and User PIN codes.
- **One-Time User PIN Code** - Can only be used once. This lock can store up to 3 one-time User PIN code simultaneously.
- **Passage Mode** - Enabling passage mode allows continuous entry for non-restricted traffic. Passage mode can either be enabled or disabled by the Master Pin code. When in passage mode, the unlocked padlock icon will appear on the screen.
- **Beep & LED Indicators** - This indicators can either be programmed for different settings. This feature is useful in making sure that every keypress was successfully entered.
- **Lock-Out Mode** - This feature can either be enabled by the Master or Manager PIN Codes. When enabled, it restricts all User PIN codes access except Master and Manager PIN codes.
- **SMART Card**
 - Compatible with existing MIFARE infrastructures
 - Operates at 13.56 MHz in accordance with ISO14443A
 - Inductive distance up to 1 ³/₁₆"
- **Touch Screen Anti-Tamper Lock Out** - This function will auto shut off the lock if an invalid code is entered 5 times in succession to prevent tampering.
- **Weather Resistant** - CR6000 are manufactured making sure that internal electronic parts are protected form moisture, dust water and corrosion. All models are weather resistant for temperature ranges of -30°F ~ 150°F (-35°C ~ +66°C).
- **Wake-Up Button** - Pressing this button activates the number pad. Enter the PIN code when while the number pad is illuminated. This button is also used to quit programming mode.

FUNCTIONS

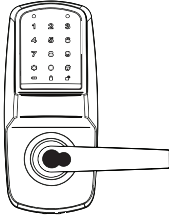
CR6000

Latch bolt operated by lever from either side. Outside would need to enter pre-programmed code on the touch screen in order to retract the latch upon turning lever. Key overrides the use of the touch screen.

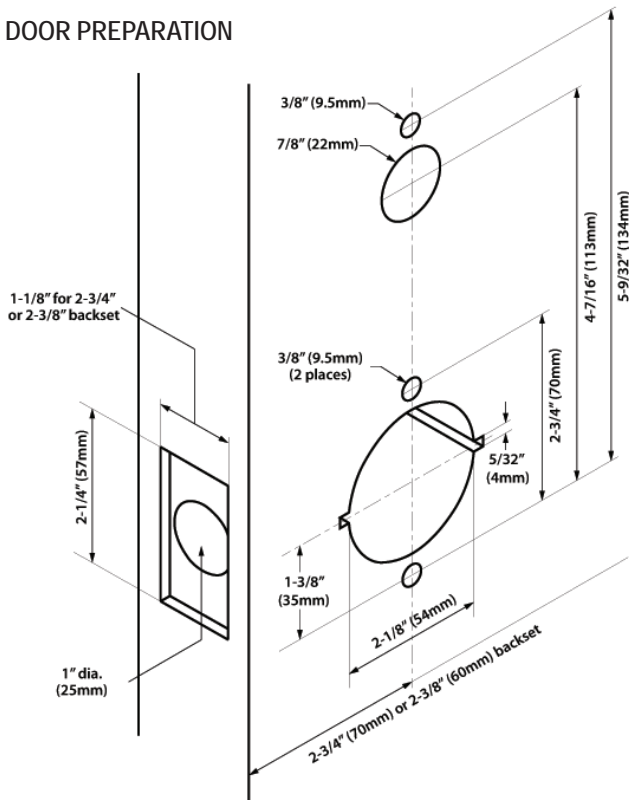


ICCR6000

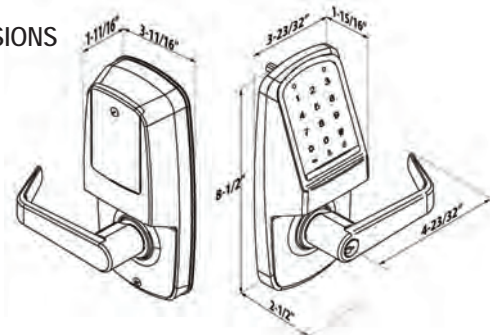
Latch bolt operated by lever from either side. Outside would need to enter pre-programmed code on the touch screen in order to retract the latch upon turning lever. Key overrides the use of the touch screen. Available with Small Format Interchangeable Core



DOOR PREPARATION



DIMENSIONS



HOW TO ORDER: For "AT" and "SPA" design, replace design name. Example, "AT6000". Prefix "IC" for Interchangeable Core.

PL7100
HEAVY DUTY GRADE 1



MEETS
The Buy American Act



COMMERCIAL PHONE LOCK WITH CLUTCH
COMPATIBLE WITH APPLE AND ANDROID PHONES

- ✓ APPLE AND ANDROID COMPATIBLE
- ✓ BLE (BLUETOOTH LOW ENERGY) MANAGEMENT
- ✓ OPTIONAL GATEWAY CONNECTIVITY
(REMOTE MANAGEMENT THROUGH THE INTERNET)
- ✓ PROXIMITY RFID CARD (13.56 MHz) STANDARD
- ✓ DIGITAL TOUCHSCREEN
- ✓ TIMESTAMPED ACCESS LOG (AUDIT TRAIL)
- ✓ RFID KEY FOB (OPTIONAL)
- ✓ 1 ADMIN PHONE, 49 CLIENT PHONES PER LOCK
- ✓ 50 DIGITAL TOUCHSCREEN COMBINATIONS PER LOCK
- ✓ 50 RFID CARDS / KEY FOBs PER LOCK
- ✓ 1 ADMIN PHONE CAN MANAGE UP TO 250 LOCKS
- ✓ 10,000 AUDIT TRAIL ENTRIES
- ✓ REMOTE SWITCH CONNECTOR
- ✓ EMERGENCY KEY OVERRIDE
- ✓ ALARM SYSTEM CONNECTOR
- ✓ INDIVIDUAL USER ACCESS MODE
- ✓ PASSAGE MODE
- ✓ WEATHER RESISTANT
- ✓ BUZZER & LED INDICATORS
- ✓ ANTI-TAMPER LOCKOUT
- ✓ LOW BATTERY WARNING
- ✓ EMERGENCY CHARGE INTERFACE
- ✓ CLUTCH TECHNOLOGY
- ✓ NON-HANDED, REVERSIBLE
- ✓ 2 YEAR WARRANTY



RFID CARD



RFID KEY FOB (optional)

CLUTCH



BLEGW-99 (optional) Internet to Bluetooth signal converter (BRIDGE)



9V EMERGENCY BATTERY PORT



Meets ADA requirements
Specially designed for
Barrier Free Application
Conforms with ANSI A156.2
Series 4000, Grade 1 requirements
Exceeds 1,000,000 cycles

SPECIFICATIONS

APPLICATIONS

For offices, schools, hospitals, apartments, hotel / motel, residential, commercial and public buildings.

ANSI STANDARDS

Meets or exceeds BHMA / ANSI A 156.2 Series 4000 Grade 1 requirements.

DOOR RANGES

1 3/8" to 1 3/4" thickness.

BACKSET

2 3/4" Standard, 2 3/8", 3 3/4", 5" and 2 3/4" anti-friction latch with 3/4" throw for pair of fire doors optional.

LATCH FACEPLATE

Standard 2 1/4" x 1 1/8" for 2 3/4" backset.
Optional 2 1/4" x 1 1/8" for 2 3/8" backset.

PROXIMITY (RFID) CARD (STANDARD)

2 pcs. included. Compatible with existing MIFARE infrastructure. Operates at 13.56 MHz in accordance with ISO 14443A. Inductive distance up to 1 3/16".

RFID KEYFOB (OPTIONAL)

Operates at 13.56 MHz in accordance with ISO 14443A. Inductive distance up to 1 3/16".

POWER SUPPLY

4 AA 1.5V Alkaline Batteries (comes standard in packing).

CLUTCH

Clutch technology allows turning of lever without retracting the latch. Thus prolonging the life of the lock by reducing stress on the spindle and other parts.

CYLINDER & KEYWAYS

6 pin solid brass "C" keyway standard. Schlage E, Schlage C-K, Russwin D1-2-3-4, Corbin 59/60, Corbin-Russwin L4, Sargent LA-LB-LC, Falcon/Weiser E, Arrow A, Yale 8, Yale GA and Kwikset. Can also accept Medeco, Assa, Kaba and Cal-Royal (HSK) High Security Cylinders.

WEATHER RESISTANT

All models are weather resistant for operating temperature ranges of +149°F to -4°F (+65°C to -20°C) and storage temperature ranges of +176°F to -22°F (+80°C to -30°C).

BLUETOOTH CONNECTIVITY

Lock can be managed / synced using the K3 (Apple) and K3+ (Android) app.

ACCESS LOG (AUDIT TRAIL)

The K3 app features a 24 / 7 activity log, so you can keep track of who accessed the lock. A timestamped access log can be shared by the Admin phone via email. 10,000 audit trail entries.

STRIKES

ASA strike standard, "T" and full lip strikes available on request.

BLE GATEWAY CONNECTIVITY

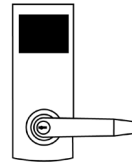
Remote access / management of locks through the internet.



MEETS
The Buy American Act



PL7100



FUNCTIONS

Latch bolt operated by lever from either side, except outside has to use a pre-programmed RFID card or a registered smart phone to touch the face of the face lock in order to retract the latch upon turning the lever. Key overrides the use of the RFID card and smartphone.

FEATURES

- **Apple and Android Compatible** – iPhone 4S or above with iOS 8.0 and above. Android 4.3 or above with Bluetooth Low Energy capability.
- **Gateway Connectivity** – optional gateway device to connect compatible locks to the internet, so users can manage locks remotely.
- **Bluetooth Connectivity** – lock can be managed / synced using the K3 (Apple) and K3 (Android phones without NFC), and K3+ (Android phones with NFC) app.
- **NFC (Near Field Communication) Interface** – NFC compatible for android phones. For the complete list of phones, please go to link: www.nfcworld.com/nfc-phones-list/#available
- **Admin Phone** – a lock can only have one Administrator phone at a time. Only smartphones are used as Administrator. One admin phone can manage up to 250 locks.
- **Access Log (Audit Trail)** – the K3 app features a 24 / 7 activity log, so you can keep track of who accessed the lock. A timestamped access log can be shared by the Admin phone via email. 10,000 audit trail entries.
- **Passage Mode** – once enabled by the Admin, the unit is unlocked continuously until "Disable Passage Mode" is initiated.
- **Tones and LED Indicators** – indicates the operating status of the lock accompanied by the corresponding tones / beeps.
- **Restricted Access Right** – PL7100 can be programmed to specify the access period or intervals of users.
- **Keypad Anti-Tamper Lockout** – if an invalid code is entered 3 times consecutively, the unit will alarm 10 beeps and stay idle for 1 minute.
- **Remote Switch / Release** – PL7100 provides 2 remote switches. Either can be used for an emergency push button switch, or can be connected to alarm systems / fire alarms.
- **RFID Card (Standard)** – compatible with existing MIFARE infrastructure. Operates at 13.56 MHz in accordance with ISO 14443A. Inductive distance up to 1 3/16".
- **RFID KEY FOB (Optional)** – compatible with existing MIFARE infrastructure. Operates at 13.56 MHz in accordance with ISO 14443A. Inductive distance up to 1 3/16".
- **Weather Resistant** – the PL7100 is designed to make sure that internal electronic parts are protected from moisture, dust, water and corrosion. All models are weather resistant with operating temperature of +149°F to -4°F (+65°C to -20°C) and storage temperature of +176°F to -22°F (+80°C to -30°C).
- **Low Battery Warning** – when voltage is lower than safety power, PL7100 gives beep sound warnings after unlocking the device.
- **Clutch Technology** – the outside lever of the PL7100 is a free-wheeling lever. If no valid code is entered, the lever will just turn freely without moving any parts inside. Thus, preventing breaking or tampering.
- **Non-Handed** – PL7100 is reversible for left and right hand openings.

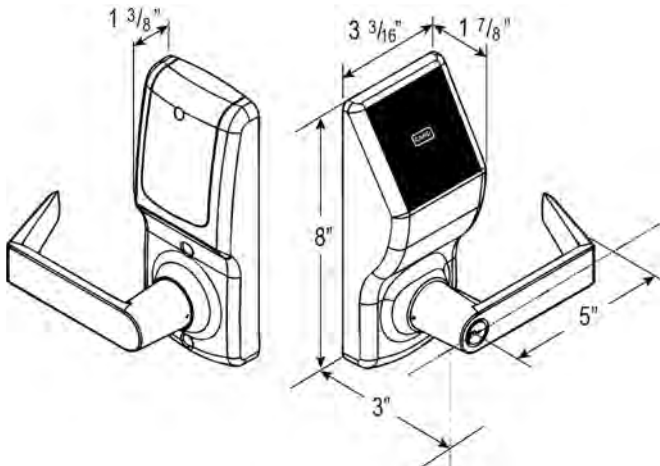
FINISHES AVAILABLE

BHMA SYMBOL	US CODE	DESCRIPTION
626	US26D	Satin Chrome
613	US10B	Oil Rubbed Bronze
606	US4	Satin Brass
605	US3	Bright Brass
625	US26	Bright Chrome

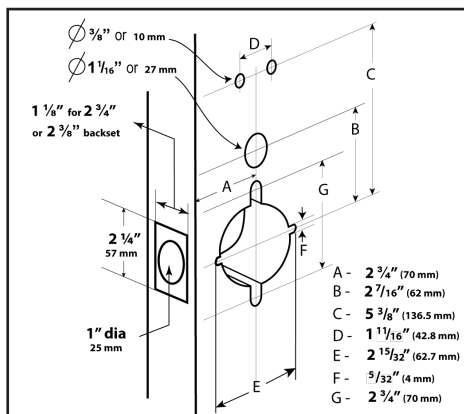
Refer to price list for stock finishes and functions

TECHNICAL SPECS

Operating Voltage	4x AA 1.5V Alkaline
Operating Temperature	+149°F to -4°F (+65°C to -20°C)
Storage Temperature	+176°F to -22°F (+80°C to -30°C)
Operating Humidity	5% to 95% relative humidity; non-condensing
Transmit Frequency	13.56 MHz
User ID Capacity	1 Admin + 49 Client Phones + 50 Digital Touch Screen Combinations + 50 (Cards / Key Fobs)



DOOR PREPARATION



RS2100

STANDARD DUTY GRADE 2

RESIDENTIAL / COMMERCIAL PHONE LOCK

COMPATIBLE WITH APPLE AND ANDROID PHONES



Meets ADA requirements
Specially designed for Barrier Free Application
Conforms with ANSI A156.2, Series 4000, Grade 2 requirements, Exceeds 1,000,000 cycles

- ✓ APPLE AND ANDROID COMPATIBLE
- ✓ BLE (BLUETOOTH LOW ENERGY) MANAGEMENT
- ✓ OPTIONAL GATEWAY CONNECTIVITY
(REMOTE MANAGEMENT THROUGH THE INTERNET)
- ✓ PROXIMITY RFID CARD (13.56 MHz) STANDARD
- ✓ DIGITAL TOUCHSCREEN
- ✓ TIMESTAMPED ACCESS LOG (AUDIT TRAIL)
- ✓ RFID KEY FOB (OPTIONAL)
- ✓ 1 ADMIN PHONE, 49 CLIENT PHONES PER LOCK
- ✓ 50 DIGITAL TOUCHSCREEN COMBINATIONS PER LOCK
- ✓ 50 RFID CARDS / KEY FOBs PER LOCK
- ✓ 10,000 AUDIT TRAIL ENTRIES
- ✓ 1 ADMIN PHONE CAN MANAGE UP TO 250 LOCKS
- ✓ EMERGENCY KEY OVERRIDE
- ✓ INDIVIDUAL USER ACCESS MODE
- ✓ PASSAGE MODE
- ✓ WEATHER RESISTANT
- ✓ BUZZER & LED INDICATORS
- ✓ ANTI-TAMPER LOCKOUT
- ✓ LOW BATTERY WARNING
- ✓ EMERGENCY CHARGE INTERFACE
- ✓ CLUTCH TECHNOLOGY
- ✓ NON-HANDED, REVERSIBLE
- ✓ 2 YEAR WARRANTY



BLEGW-99 (optional) Internet to Bluetooth signal converter (BRIDGE)

9V EMERGENCY BATTERY PORT

RFID CARD

SPECIFICATIONS

APPLICATIONS

For residential and standard duty commercial applications.

DOOR RANGES

1 3/8" to 1 3/4" thickness.

BACKSET

2 3/8" Standard, optional 2 3/4"

LATCH FACEPLATE

Standard 2 1/4" x 1" for 2 3/8" backset.

Optional 2 1/4" x 1 1/8" for 2 3/4" backset.

PROXIMITY CARD (STANDARD)

2 pcs. included. Compatible with existing MIFARE infrastructure. Operates at 13.56 MHz in accordance with ISO 14443A.

Inductive distance up to 1 3/16".

RFID KEY FOB (OPTIONAL)

Operates at 13.56 MHz in accordance with ISO 14443A.

Inductive distance up to 1 3/16".

POWER SUPPLY

4 AA 1.5V Alkaline Batteries (comes standard in packing).

BLE GATEWAY CONNECTIVITY

Optional BLE Gateway connectivity for remote lock management.

CLUTCH

Clutch technology allows turning of lever without retracting latch. Thus prolonging the life of the lock by reducing stress on the spindle and other parts.

CYLINDER & KEYWAYS

5 pin solid brass "C" keyway standard. Schlage E, Schlage C-K, Russwin D1-2-3-4, Corbin 59 /60, Corbin-Russwin L4, Sargent LA-LB-LC, Falcon / Weiser E, Arrow A, Yale 8, Yale GA and Kwikset. Can also accept Medeco, Assa, Kaba and Cal-Royal (HSK) High Security Cylinders.

WEATHER RESISTANT

All models are weather resistant for operating temperature ranges of +149°F to -4°F (+65°C to -20°C) and storage temperature ranges of +176°F to -22°F (+80°C to -30°C).

BLUETOOTH CONNECTIVITY

Lock can be managed / synced using the K3 (Apple) and K3+ (Android) app.

ACCESS LOG (AUDIT TRAIL)

The K3 app features a 24 / 7 activity log, so you can keep track of who accessed the lock. A timestamped access log can be shared by the Admin phone via email. 10,000 audit trail entries.

STRIKES

Full lip strike standard. ASA strike available on request.



FEATURES

- **Apple and Android Compatible** – iPhone 4S or above with iOS 8.0 and above. Android 4.3 or above with Bluetooth Low Energy capability.
- **Gateway Connectivity** – optional gateway device to connect compatible locks to the internet, so users can manage locks remotely.
- **Bluetooth Connectivity** – lock can be managed / synced using the K3 (Apple) and K3 (Android phones without NFC), and K3+ (Android phones with NFC) app.
- **NFC (Near Field Communication) Interface** – NFC compatible for android phones. For the complete list of phones, please go to link: www.nfcworld.com/nfc-phones-list/#available
- **Admin Phone** – a lock can only have one Administrator phone at a time. Only smartphones are used as Administrator. One admin phone can manage up to 250 locks.
- **Access Log (Audit Trail)** – the K3 app features a 24 / 7 activity log, so you can keep track of who accessed the lock. A timestamped access log can be shared by the Admin phone via email. 10,000 audit trail entries.
- **Passage Mode** – once enabled by the Admin, the unit is unlocked continuously until “Disable Passage Mode” is initiated.
- **Tones and LED Indicators** – indicates the operating status of the lock accompanied by the corresponding tones / beeps.
- **Restricted Access Right** – RS2100 can be programmed to specify the access period or intervals of users.
- **Keypad Anti-Tamper Lockout** – if an invalid code is entered 3 times consecutively, the unit will alarm 10 beeps and stay idle for 1 minute.
- **RFID Card (Standard)** – compatible with existing MIFARE infrastructure. Operates at 13.56 MHz in accordance with ISO 14443A. Inductive distance up to 1 3/16”.
- **RFID KEY FOB (Optional)** – compatible with existing MIFARE infrastructure. Operates at 13.56 MHz in accordance with ISO 14443A. Inductive distance up to 1 3/16”.
- **Weather Resistant** - the RS2100 is designed to ensure that internal electronic parts are protected from moisture, dust, water and corrosion. All models are weather resistant with operating temperature of +149°F to -4°F (+65°C to -20°C) and storage temperature of +176°F to -22°F (+80°C to -30°
- **Low Battery Warning** – when voltage is lower than safety power, RS2100 gives beep sound warning after unlocking the device.
- **Clutch Technology** – the outside lever of the RS2100 is a free-wheeling lever. If no valid code is entered, the lever will just turn freely without moving any parts inside. Thus, preventing breaking or tampering.
- **Non- Handed** – RS2100 is reversible for left and right hand openings.

FINISHES AVAILABLE		
BHMA SYMBOL	US CODE	DESCRIPTION
605	US3	Polished Brass
613	US10B	Oil Rubbed Bronze
619	US15	Satin Nickel
626	US26D	Satin Chrome

Refer to price list for stock finishes and functions

FUNCTIONS

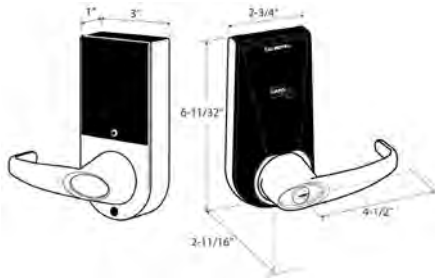
RS2100



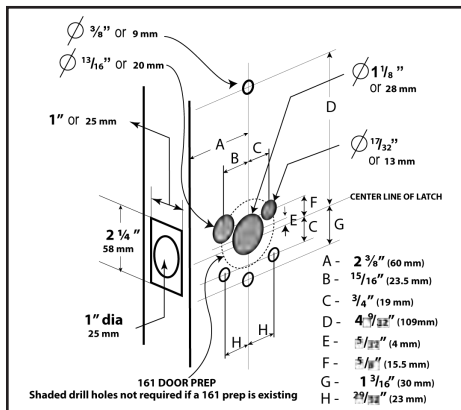
Latch bolt operated by lever from either side, except outside has to use a pre-programmed RFID card or a registered smart phone to touch the face of the face lock in order to retract the latch upon turning the lever. Key overrides the use of the RFID card and smartphone.

TECHNICAL SPECS

Operating Voltage	4x AA 1.5V Alkaline
Operating Temperature	+149°F to -4°F (+65°C to -20°C)
Storage Temperature	+176°F to -22°F (+80°C to -30°C)
Operating Humidity	5% to 95% relative humidity; non-condensing
Transmit Frequency	13.56 MHz
User ID Capacity	1 Admin + 49 Client Phones + 50 Digital Touch screen Combinations + 50 (Cards / Key Fobs)



DOOR PREPARATION



CR9000

COMMERCIAL, GRADE 2 DIGITAL TOUCH SCREEN DOOR LOCK WITH CLUTCH TECHNOLOGY

Optional Interchangeable Core for Best, Falcon and Arrow



FEATURES

- MASTER CODE
- USER PIN CODE UP TO 50 CODES, 4 - 6 DIGITS
- ONE-TIME USER PIN CODE UP TO 2 DIFFERENT CODES, 4 - 6 DIGITS
- NON-HANDED, FIELD REVERSIBLE LEVERS
- UL / cUL LISTED UP TO 20-MINUTE RATING
- CONFORMED TO ADA REQUIREMENT FOR BARRIER-FREE ACCESSIBILITY
- ENABLES LOCK-OUT MODE
- ENABLES PASSAGE MODE
- STAND-ALONE TOUCHSCREEN FEATURE
- TOUCH TO WAKE-UP
- LOW BATTERY INDICATOR
- AUTO RE-LOCK TIME
- SOUND ON / OFF
- 2 YEAR WARRANTY



Optional Lever Designs are Available in Non-IC Core Locks Only
Prefix **Lever Design** before PART# when ordering.
Example: To order **MAN Design in US26D**, Use **"MAN9000 US26D"**

SPECIFICATIONS

APPLICATIONS

For offices, schools, hospitals, apartments, condo units, hotel / motel, residential, commercial and public buildings.

DOOR THICKNESS

1 3/8" (35mm) ~ 1 3/4" (45mm) standard.

BACKSET

2 3/4" (70mm) standard or 2 5/8" (60mm) optional backset

LATCH FACEPLATE

1 1/8" x 2 1/4" (28mm x 57mm) square corner, beveled, for 2 3/4" (70mm) backset standard

1" x 2 1/4" (25mm x 57mm) square corner, beveled, for 2 5/8" (60mm) backset optional

STRIKES

ANSI Curved lip strike 1 1/4" x 4 7/8" x 1 3/16" (32mm x 124mm x 30mm) lip to center standard. Optional ("T", "Full-lip") strikes available on request, lip lengths and strike box available.

ANSI STANDARDS

Meets ANSI / BHMA A156.2 Series 4000, Grade 2 strength and operational requirements.

LATCH BOLT

1/2" (13mm) throw solid brass, deadlocking on keyed and non-keyed function.

CYLINDER

6-pin solid brass "Schlage C" keyway standard with two brass keys per lock.

LEVER MECHANISM

Free wheeling lever mechanism. When the outside lever is locked, it will rotate freely up and down while remaining securely locked.

INTERCHANGEABLE CORE (IC)

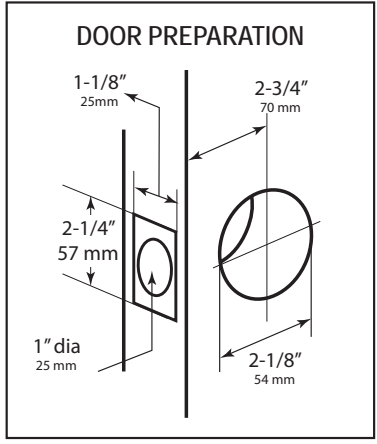
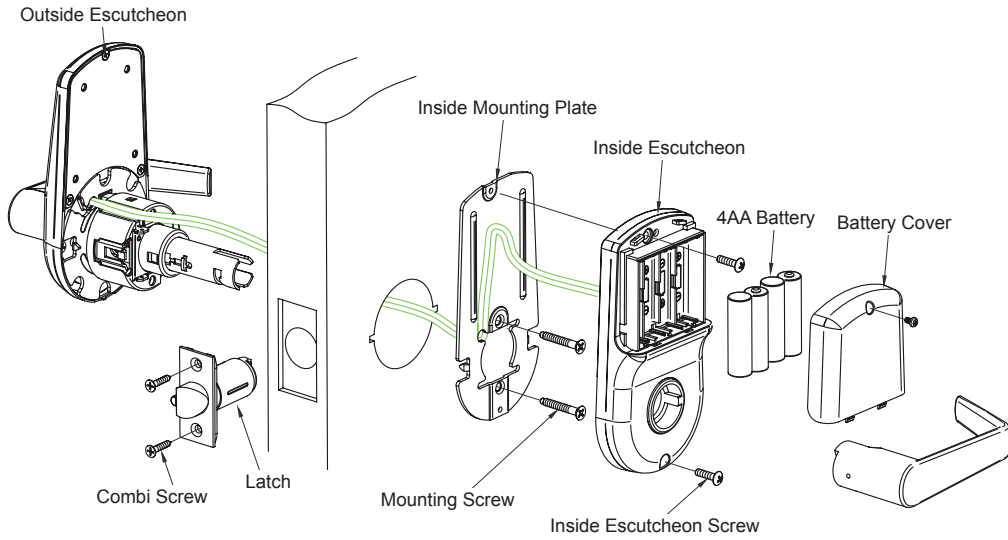
SFIC Interchangeable Core security cylinder. Compatible 6 or 7 pin cores with Best and Master. Prefix "IC" before part number.

POWER SOURCE

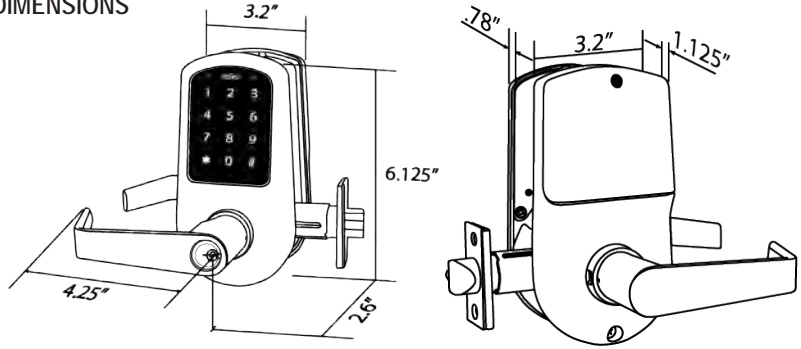
Powered by 4 AA Alkaline batteries.

WEATHER RESISTANT

All models are weather resistant for temperature ranges of -30°F ~ 150°F (-35°C ~ +66°C) at 85% relative humidity.



DIMENSIONS

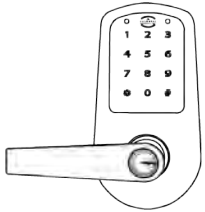


FINISHES AVAILABLE		
BHMA SYMBOL	US CODE	DESCRIPTION
626	US26D	Satin Chrome
613	US10B	Oil Rubbed Bronze
605	US3	Polished Brass
606	US4	Satin Brass
625	US26	Bright Chrome

Refer to Price List for stock finishes & functions

FUNCTIONS

CR9000



Latch bolt operated by lever from either side. Outside would need to enter pre-programmed code on the touch screen in order to retract the latch upon turning lever. Key overrides the use of the touch screen.

ICCR9000



Latch bolt operated by lever from either side. Outside would need to enter pre-programmed code on the touch screen in order to retract the latch upon turning lever. Key overrides the use of the touch screen. Available with Interchangeable Core.

FEATURES

Stand-alone Touchscreen

Responds to human touch enabling convenient entrance or access to programming menu. After operation has been completed, the lock reverts back to sleep mode.

Master PIN Code

Use for programming the lock and entering Master and User PIN codes. Can also be used to open the lock and reset to factory settings. (6 digits)

User PIN Code

This feature only opens the lock by entering the code on the touch pad. It won't be able to program or change the settings. This lock can accommodate up to 50 user codes, 4 to 6 digits combined RFID and User PIN codes.

One-Time User PIN Code

Can only be used once. This lock can store up to 2 one-time User PIN code simultaneously.

Auto Re-lock Time

After successful code entry and unit unlock, it will automatically re-lock in default for five (5) seconds. It can be change by Master PIN code.

Passage Mode

Enabling passage mode allows continuous entry for non-restricted traffic. Passage mode can either be enabled or disabled by the Master Pin code. When in passage mode, the green LED light is blinking.

Lock-Out Mode

This feature can be enabled by Master PIN Code. When enabled, it restricts all User PIN codes access except Master PIN code.

Low Battery Indicator

The blinking action signals internal 4 AA alkaline batteries are low.

Weather Resistant

CR9000 are manufactured making sure that internal electronic parts are protected from moisture, dust water and corrosion. All models are weather resistant for temperature ranges of -30°F - 150°F (-35°C - +66°C) at 85% relative humidity.

Touch to Wake-up

Touching the screen activates the touchscreen. Enter the PIN code while the number pad is illuminated.

DB5000

GRADE 2 ELECTRONIC DEADBOLT

COMPATIBLE WITH APPLE AND ANDROID PHONES



- APPLE AND ANDROID COMPATIBLE
- BLE (BLUETOOTH LOW ENERGY) MANAGEMENT
- OPTIONAL GATEWAY CONNECTIVITY (REMOTE MANAGEMENT THROUGH THE INTERNET)
- TIMESTAMPED ACCESS LOG (AUDIT TRAIL)
- 1 ADMIN PHONE PER DEADBOLT
- 49 CLIENT PHONES PER DEADBOLT
- 10,000 AUDIT TRAIL ENTRIES
- INDIVIDUAL USER ACCESS MODE
- OPTIONAL AUTO RE-LOCKING
- DOOR JAM PROTECTOR
- SMART L / R HANDING LEARNING
- KEY / THUMB-TURN TURNING DETECTOR
- ONE ADMIN PHONE CAN MANAGE UP TO 250 DEADBOLTS
- WEATHER RESISTANT
- ANTI-TAMPER LOCKOUT
- LOW BATTERY WARNING
- EASY INSTALLATION & PROGRAMMING
- 1 YEAR ELECTRONIC WARRANTY



EXTERIOR



INTERIOR



BLEGW-99 (optional)
Internet to Bluetooth signal
converter (BRIDGE)

SPECIFICATIONS

APPLICATIONS

For residential and standard duty commercial applications.

DOOR RANGES

1 3/8" to 1 3/4" thickness

BACKSET

Adjustable 2 3/8" (60mm) or 2 3/4" (70mm)

LATCH FACEPLATE

2 1/4" x 1"

STRIKES

Deadbolt strike 1 1/8" x 2 3/4". Optional strikes available.

POWER SUPPLY

4 AA 1.5V Alkaline Batteries (comes standard in packing).

RADIO FREQUENCY

Bluetooth radio frequency: 2.4 GHz

OPTIONAL GATEWAY CONNECTIVITY

Optional BLE Gateway connectivity for remote lock management.

CYLINDER & KEYWAYS

6 pin solid brass "C" keyway standard. Schlage E, Schlage C-K, Russwin D1-2-3-4, Corbin 59 / 60, Corbin-Russwin L4, Sargent LA-LB-LC, Falcon / Weiser E, Arrow A, Yale 8, Yale GA and Kwikset. Can also accept Medeco, Assa, Kaba and Cal-Royal (HSK) High Security Cylinders.

WEATHER RESISTANT

All models are weather resistant for operating temperature ranges of +149°F to -4°F (+65°C to -20°C) and storage temperature ranges of +176°F to -22°F (+80°C to -30°C).

BLUETOOTH CONNECTIVITY

Lock can be managed / synced using the K3 (Apple) and K3+ (Android) app.

ACCESS LOG (AUDIT TRAIL)

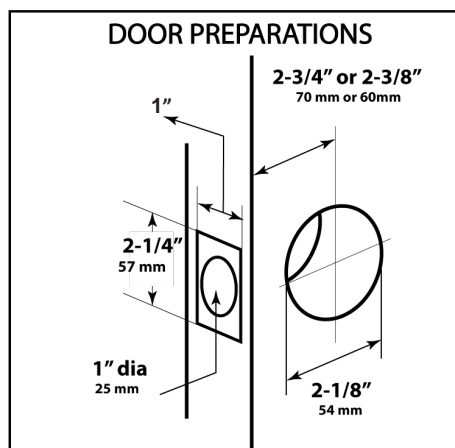
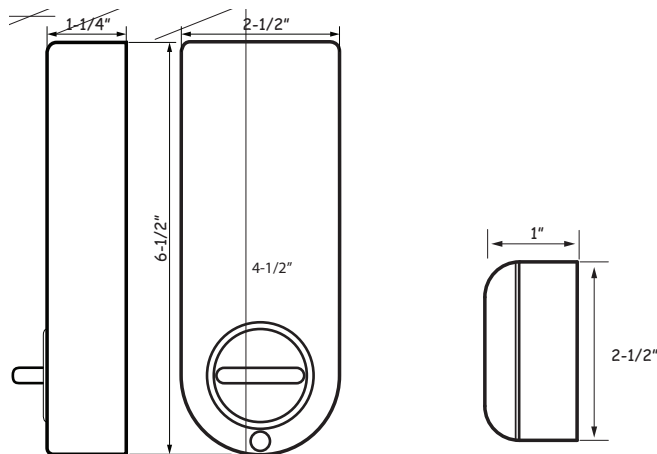
The K3 app features a 24 / 7 activity log, so you can keep track which client accessed the lock. A time stamped access log can be shared by the Admin phone via email. 10,000 audit trail entries.

FEATURES

FINISHES AVAILABLE		
BHMA SYMBOL	US CODE	DESCRIPTION
626	US26D	Satin Chrome
619	US15	Satin Nickel
613	US10B	Oil Rubbed Bronze
605	US3	Polished Brass

Refer to price list for stock finishes and functions

TECHNICAL SPECS	
Operating Voltage	4x AA 1.5V Alkaline
Operating Temperature	+149°F to -4°F (+65°C to -20°C)
Storage Temperature	+176°F to -22°F (+80°C to -30°C)
User ID Capacity	1 Admin + 49 Client Phones



- **Apple and Android Compatible** – iPhone 4S or above with iOS 8.0 and above. Android 4.3 or above with Bluetooth Low Energy capability.
- **Gateway Connectivity** – optional gateway device to connect compatible locks to the internet, so users can manage locks remotely.
- **Bluetooth Connectivity** – lock can be managed / synced using the K3 (Apple) and K3 (Android phones without NFC) and K3+ (Android phones with NFC) app.
- **Admin Phone** – a lock can only have one Administrator Phone at a time. Only smartphones are used as an Administrator. One admin phone can manage up to 250 deadbolts.
- **Access Log (Audit Trail)** – the K3 app features a 24 / 7 activity log, so you can keep track of who accessed the lock. A timestamped access log can be shared by the Admin phone via email. 10,000 audit trail entries.
- **Optional Auto Re-locking** – Admin has the option to set time for deadbolt to automatically re-lock, from 10-250 seconds.
- **Passage Mode** – disable auto re-locking feature.
- **Restricted Access Right** – DB5000 can be programmed to specify the access period or intervals of users
- **Weather Resistant** – the DB5000 is designed to ensure that the internal electronic parts are protected from moisture, dust, water and corrosion. All models are weather resistant with operating temperature of +149°F to -4°F (+65°C to -20°C) and storage temperature of +176°F to -22°F (+80°C to -30°C).
- **Low Battery Warning** – when voltage is lower than safety power, the deadbolt gives warning beeps after successfully unlocking the device.
- **Smart L / R Learning** – DB5000 can test and learn the handing of the door.
- **Door Jam Protector** – if the bolt fails to retract or project, due to any obstacles (e.g. door frame is not aligned with the door), DB will detect it and will stop turning the motor after a few tries. This is to prevent it from over-heating which could cause permanent damage to the circuit boards.
- **Key / Thumb-turn Turning Detector** – when operating the deadbolt by mechanical ways such as using keys or turning the thumb-turn, DB will detect it and include it in the access log.

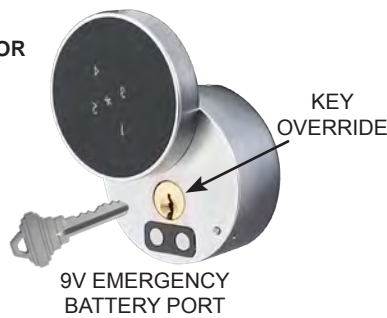


DB9000

GRADE 2 ELECTRONIC TOUCHSCREEN DEADBOLT COMPATIBLE WITH APPLE AND ANDROID PHONES



- APPLE AND ANDROID COMPATIBLE
- BLE (BLUETOOTH LOW ENERGY) MANAGEMENT
- OPTIONAL GATEWAY CONNECTIVITY (REMOTE MANAGEMENT THROUGH THE INTERNET)
- PROXIMITY RFID CARD (13.56 MHz) STANDARD
- DIGITAL TOUCHSCREEN
- TIMESTAMPED ACCESS LOG (AUDIT TRAIL)
- 1 ADMIN PHONE, 49 CLIENT PHONES PER DEADBOLT
- 50 DIGITAL COMBINATIONS PER DEADBOLT
- 50 RFID CARDS / KEY FOBs PER DEADBOLT
- 10,000 AUDIT TRAIL ENTRIES
- 1 ADMIN PHONE CAN MANAGE UP TO 250 DEADBOLTS
- EMERGENCY KEY OVERRIDE
- RFID KEY FOB (OPTIONAL)
- INDIVIDUAL USER ACCESS MODE
- OPTIONAL AUTO RE-LOCKING
- DOOR JAM PROTECTOR
- SMART L / R HANDING LEARNING
- KEY / THUMB-TURN TURNING DETECTOR
- ONE-TAP LOCKING
- WEATHER RESISTANT
- BUZZER & LED INDICATORS
- ANTI-TAMPER LOCKOUT
- LOW BATTERY WARNING
- EMERGENCY CHARGE INTERFACE
- 1 YEAR ELECTRONIC WARRANTY



SPECIFICATIONS

APPLICATIONS

For residential and standard duty commercial applications.

DOOR RANGES

1 3/8" to 1 3/4" thickness

BACKSET

Adjustable 2 3/8" (60mm) or 2 3/4" (70mm)

LATCH FACEPLATE

2 1/4" x 1".

PROXIMITY CARD (STANDARD)

2pcs. included. Compatible with existing MIFARE Infrastructure. Operates at 13.56 MHz in accordance with ISO 14443A. Inductive distance up to 1 3/16".

RFID KEY FOB (OPTIONAL)

Operates at 13.56 MHz in accordance with ISO 14443A. Inductive distance up to 1 3/16".

POWER SUPPLY

4 AA 1.5V Alkaline Batteries (comes standard in packing).

RADIO FREQUENCY

Bluetooth radio frequency: 2.4 GHz

CYLINDER & KEYWAYS

6 pin solid brass "C" keyway standard. Schlage E, Schlage C-K, Russwin D1-2-3-4, Corbin 59 / 60, Corbin-Russwin L4, Sargent LA-LB-LC, Falcon / Weiser E, Arrow A, Yale 8, Yale GA and Kwikset. Can also accept Medeco, Assa, Kaba and Cal-Royal (HSK) High Security Cylinders.

WEATHER RESISTANT

All models are weather resistant for operating temperature ranges of +158°F to -4°F (+70°C to -20°C) and storage temperature ranges of +176°F to -22°F (+80°C to -30°C).

BLUETOOTH CONNECTIVITY

Lock can be managed / synced using the K3 (Apple) and K3+ (Android) app.

ACCESS LOG (AUDIT TRAIL)

The K3 app features a 24 / 7 activity log, so you can keep track which client accessed the lock. A timestamped access log can be shared by the Admin phone via email. 10,000 audit trail entries.

STRIKE

Deadbolt strike 1 1/8" x 2 3/4". Optional strikes available.

OPTIONAL GATEWAY CONNECTIVITY

Optional BLE Gateway connectivity for remote lock management.

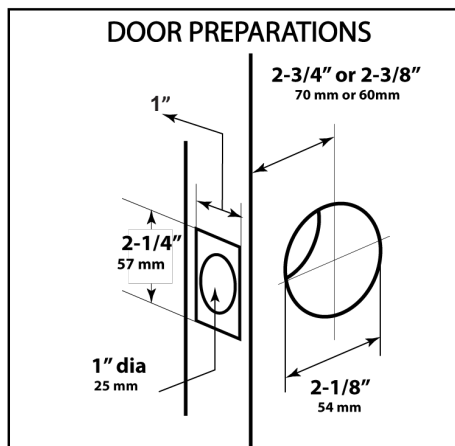
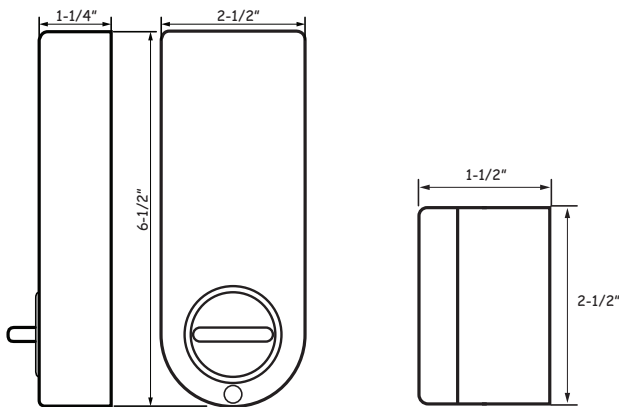


FEATURES

FINISHES AVAILABLE		
BHMA SYMBOL	US CODE	DESCRIPTION
626	US26D	Satin Chrome
619	US15	Satin Nickel
613	US10B	Oil Rubbed Bronze
605	US3	Polished Brass

Refer to price list for stock finishes and functions

TECHNICAL SPECS	
Operating Voltage	4 x AA 1.5V Alkaline
Operating Temperature	+149°F to -4°F (+65°C to -20°C)
Storage Temperature	+176°F to -22°F (+80°C to -30°C)
Transmit Frequency	13.56 MHz
User ID Capacity	1 Admin + 49 Client Phones + 50 Digital Touchscreen Combinations + 50 (Cards / Key Fobs)



- **Apple and Android Compatible** – iPhone 4S or above with iOS 8.0 and above. Android 4.3 or above with Bluetooth Low Energy capability.
- **Gateway Connectivity** – optional gateway device to connect compatible locks to the internet, so users can manage locks remotely.
- **Bluetooth Connectivity** – lock can be managed / synced using the K3 (Apple) and K3 (Android phones without NFC), and K3+ (Android phones with NFC) app.
- **NFC (Near Field Communication) Interface** – NFC compatible for android phones. For the complete list of phones, please go to link: www.nfcworld.com/nfc-phones-list/#available
- **Admin Phone** – a lock can only have one Administrator phone at a time. Only smartphones are used as Administrator. One admin phone can manage up to 250 deadbolts.
- **Access Log (Audit Trail)** - the K3 app features a 24 / 7 activity log, so you can keep track of who accessed the lock. A timestamped access log can be shared by the Admin phone via email. 10,000 audit trail entries.
- **Smart L / R Handing Learning** – DB9000 can be installed on a left handed or right handed door. The deadbolt can automatically learn the handing of the door when this feature is set up.
- **Key / Thumb-turn Turning Detector** – when operating DB9000 mechanically (key override) or manually (turning the thumb-turn from the inside), the deadbolt detects it and the event will be registered in the access log.
- **Door Jam Protector** – if the bolt fails to retract or project, due to any obstacles (e.g. door frame is not aligned with the door), the deadbolt will detect it and will stop turning the motor after a few tries. This feature is to prevent it from over-heating which could cause permanent damage to the circuit boards.
- **Optional Auto Re-locking** – Admin has the option to set time for deadbolt to automatically re-lock, from 10-250 seconds.
- **Passage Mode** – disable auto re-locking feature for passage mode.
- **Tones and LED Indicators** – indicates the operating status of the lock accompanied by the corresponding tones / beeps.
- **Restricted Access Right** – DB9000 can be programmed to specify the access period or intervals of users.
- **Keypad Anti-Tamper Lockout** – if an invalid code is entered 3 times consecutively, the unit will alarm 10 beeps and stay idle for 1 minute.
- **Remote Switch / Release** – DB9000 provides 2 remote switches. Either can be used for an emergency push button switch, or can be connected to alarm systems IE fire alarms.
- **RFID Card (Standard)** – compatible with existing MIFARE infrastructure. Operates at 13.56 MHz in accordance with ISO 14443A. Inductive distance up to 1 3/16".
- **RFID KEY FOB (Optional)** – compatible with existing MIFARE infrastructure. Operates at 13.56 MHz in accordance with ISO 14443A. Inductive distance up to 1 3/16".
- **Weather Resistant** – the DB9000 is designed to ensure that the internal electronic parts are protected from moisture, dust, water and corrosion. All models are weather resistant with operating temperature of +149°F to -4°F (+65°C to -20°C) and storage temperature of +176°F to -22°F (+80°C to -30°C).
- **Low Battery Warning** – when voltage is lower than safety power, DB9000 gives beep sound warning after unlocking the device.
- **Clutch Technology** – the outside lever of the DB9000 is a free-wheeling lever. If no valid code is entered, the lever will just turn freely without moving any parts inside. Thus preventing breaking or tampering.

ZWDB-10

TOUCH SCREEN ELECTRONIC DEADBOLT, MEETS ANSI GRADE 3 STANDARDS



- BUILT-IN Z-WAVE TECHNOLOGY TO CONNECT TO A Z-WAVE COMPATIBLE CONTROLLER WITH GATEWAY FREQUENCY OF 908.4 MHz
- ELECTRONIC LOCK WITH KEYLESS ACCESS
- 1 ADMINISTRATOR CODE, 4-10 DIGITS
- 30 SETS OF USER CODE, 4-10 DIGITS
- DIGITAL TOUCH SCREEN
- RANDOM PRE-ENTRY CODE TO PREVENT CODE DECIPHERING
- SERVICE CODE FOR TEMPORARY ACCESS
- ADD / DELETE USER'S CODE INDIVIDUALLY
- AUTO-LOCKING FUNCTION
- FITS REGULAR DOOR PREPARATION
- POWER EFFICIENT DESIGN AND LOW BATTERY ALARM
- 1 YEAR ELECTRONIC WARRANTY
- EMERGENCY KEY OVERRIDE
- USER FRIENDLY DESIGN
- EASY INSTALLATION & PROGRAMMING
- NON-HANDED



DIGITAL TOUCH SCREEN



INTERIOR

SPECIFICATIONS

APPLICATIONS

For Residential and Standard Duty Commercial Applications

DOOR RANGES

1 3/8" (35mm) to 1 3/4" (45mm) Thickness

MATERIAL

Zinc Alloy and Steel

BACKSET

2 3/8" (60mm) or 2 3/4" (70mm) 2-Way Adjustable Backset

LATCH FACEPLATE

1" (25.4mm) x 2 1/4" (57mm) Square Corner

STRIKE

1" (25.4mm) x 2 1/4" (57mm) Square Corner Strike

DEADBOLT

1" Throw High-Strength Deadbolt with Anti-Saw Pin

POWER SUPPLY

4 AA 1.5V Alkaline Batteries (comes standard in packing)

DOOR PREPARATION

1" (25.4mm) Diameter for Edge Bore

2 1/8" (54mm) Cross Bore

DIMENSIONS

Exterior Trim: 5 1/4" (133mm) x 2 5/8" (67mm) x 11/16" (23mm)

Interior Trim: 7 7/16" (189mm) x 2 7/8" (73mm) x 1 1/8" (28mm)

CYLINDER & KEYWAYS

5-Pin, Kwikset KW1 Keyway.

FINISHES

US3 - Bright Brass

US15 - Satin Nickel

US26 - Bright Chrome

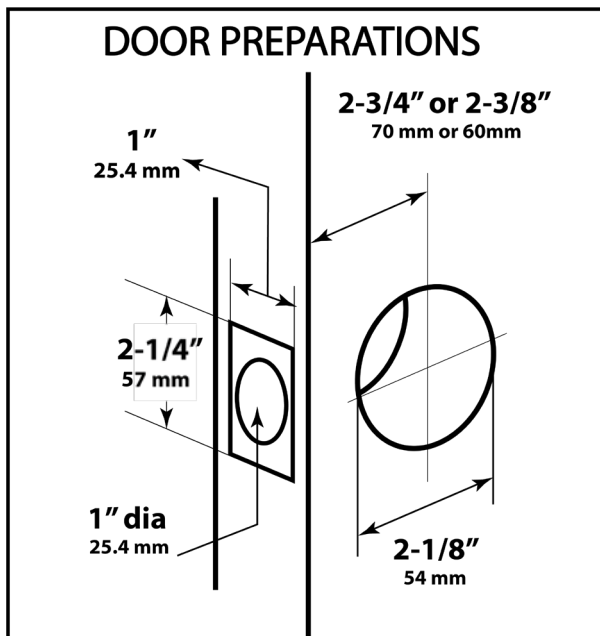
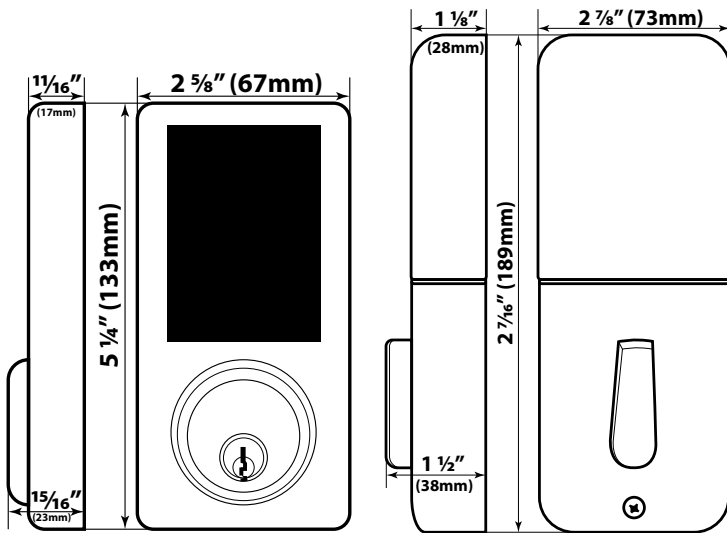
US26D - Satin Chrome

US12P - Tuscany Bronze



FINISHES AVAILABLE		
BHMA SYMBOL	US CODE	DESCRIPTION
605	US3	Bright Brass
619	US15	Satin Nickel
625	US26	Bright Chrome
626	US26D	Satin Chrome
---	US12P	Tuscany Bronze

Refer to price list for stock finishes and functions



• FEATURES

- **Administrator Code** – 1 group administrator password, 4-10 digits. It is used for managing all codes. Add / delete user's code individually.
- **User Codes** – this feature only opens the lock by entering the code on the touchpad. It can accommodate up to 30 sets of passcode, 4-10 digits.
- **Pre-Entry Codes** – random pre-entry code prevents deciphering of user code. It is also useful to remove remaining fingerprint smudges and prevent exposure of password.
- **Disposable Code** – one-time user code is available for temporary access.
- **Touch screen panel** – this feature helps ease of operating in the dark. It is useful in making sure that every key pressed is successfully entered by an accompanying beep / tone.
- **Auto-Locking Function** – when the door is unlocked, it automatically locks within just a few seconds for security and convenience.
- **Low Battery Warning** – when voltage is lower than safety power, the low battery indicator will turn on until the low battery alarm goes off, then you have to change the batteries.
- **User Friendly Design** – simplifies your access management.
- **Z-Wave Technology** – it has a built-in 500 Series Z-WAVE module to connect with compatible controller / hub with gateway frequency of 908.4 MHz. By using an existing controller, you could use app and / or mobile phone to manage all compatible devices such as control lights, security systems, and home automation in one tap.
- **High-Strength Deadbolt** – 1" throw high-strength deadbolt with anti-saw pin.
- **Deadbolt Detection** – touchpad deadbolt with auto latch bolt locking detection prevents any incomplete door locking.
- **Non-Handed** – ZWDB-10 Series can be installed for both left and right door opening.

TECHNICAL SPECS	
Operating Voltage	DC6V, 4x AA (1.5V, LR6) Alkaline
Operating Temperature	0°C to 70°C (Battery Excluded)
Operating Humidity	30% to 90% Relative Humidity; Non-Condensing
User ID Capacity	4-10 Digits 1 Admin Password 30 Sets of User Code

NM / SC SERIES

Electrified Mortise Locks

► **Electrified Part #ELEC**

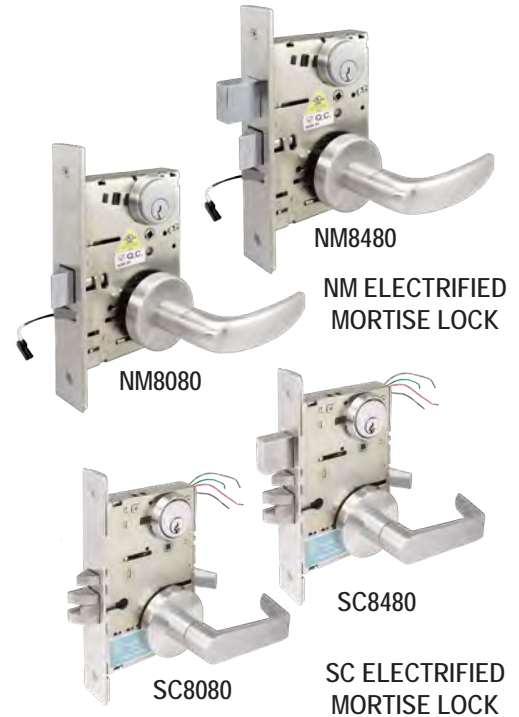
(Specify Options)

FEATURES:

- UL and CSFM Listings
- Continuous duty solenoids for cooler operation during “continuously ON” applications
- Standard plug-in rectifier allows for an AC or DC power source
- Low current draw
- Numerous switch options
- 3 year “No Hassle” warranty

OPTIONS:

- Voltage requirement - 12V (AC / DC) or 24V (AC / DC)
- Amperage – 700mA @ 12V or 350mA @ 24V
- Solenoid coil resistance - 12V = 18 Ω or 24V = 69 Ω
- Power consumption - 8 watts
- Function – available “Fail Safe” (FS) or “Fail Secure” (FSE)



ELECTRIFIED	
ITEM #	DESCRIPTION
NM8080FS • Available on NM8080 and NM8480 functions only	Request to Exit (REX) Electrically Locked FS (Fail Safe) <ul style="list-style-type: none"> • Outside knob / lever continuously locked by 24V AC or DC • Latch bolt retracted by key outside or knob / lever inside • Switch or power failure allows outside knob / lever to retract latch bolt • Auxiliary latch deadlocks latch bolt when door is locked • Inside knob / lever is always free for immediate egress
SC8080FS • Available on SC8080 and SC8480 functions only	
NM8080FSE	Electrically Unlocked FSE (Fail Secure) <ul style="list-style-type: none"> • Outside knob / lever unlocked by 24V AC or DC • Latch bolt retracted by key outside or knob / lever inside • Auxiliary latch deadlocks latch bolt when door is locked • Inside lever is always free for immediate egress
SC8080FSE	
NM8082FS	Electrically Locked or Electrically Unlocked Both Sides <ul style="list-style-type: none"> • Outside and inside knob / lever continually locked electrically • Latch bolt retracted by key either side • Switch or power failure allows outside and inside knob / lever to retract latch bolt • Auxiliary latch deadlocks latch bolt when door is closed
SC8082FS	
NM8082FSE	<ul style="list-style-type: none"> • Outside and inside knob / lever unlocked electrically • Latch bolt retracted by key either side • Switch or power failure keeps outside and inside knob / lever locked • Auxiliary latch deadlocks latch bolt when door is locked
SC8082FSE	
NM8080FSE-RX / NM8080FS-RX • Same as NM8080EL and NM8080EU functions	Request to Exit (RX) Electrified Lock <ul style="list-style-type: none"> • A micro switch positioned inside the lock case monitors the retractor crank, and is actuated when rotation of the inside or outside knob / lever rotates the retractor hub • The switch signals the use of that opening to security systems, allowing a non-disruptive means of immediate egress
SC8080FSE-RX / SC8080FS-RX • Same as SC8080EL and SC8080EU functions	

GENESYS SERIES

Electrified Cylindrical Lock

► **Electrified Part #ELEC**
(Specify Options)

FEATURES:

- UL Listed
- Continuous duty solenoids for cooler operation during “*continuously ON*” applications
- Standard plug-in rectifier allows for an AC/DC power source
- Low current draw
- 3 year “No Hassle” warranty



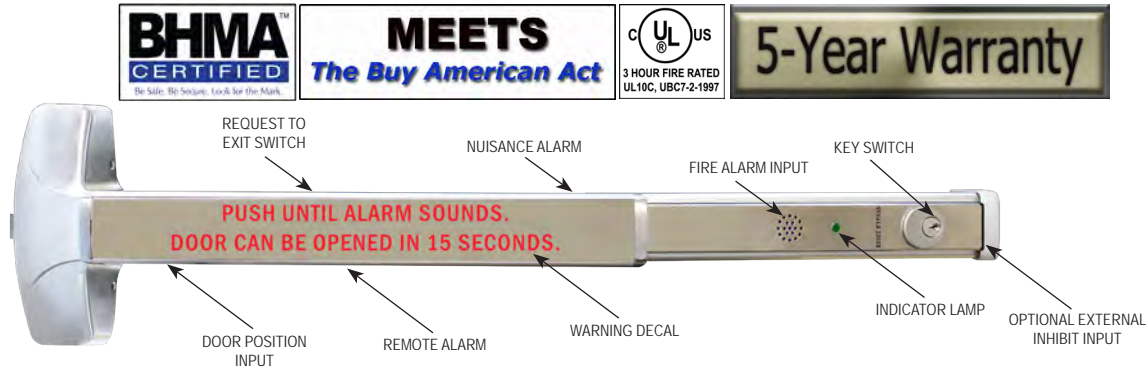
GENESYS ELECTRIFIED CYLINDRICAL LOCK

OPTIONS:

- Voltage requirement - 12V (AC/DC) or 24V (AC/DC)
- Amperage – 250mA @ 12V or 150mA @ 24V
- Solenoid coil resistance - 12V = 49 Ω or 24V = 159 Ω
- Power consumption - 3 watts
- Function – available “Fail Safe” (FS) or “Fail Secure” (FSE)

ELECTRIFIED	
ITEM #	DESCRIPTION
ECGN0512SAF	FAIL SAFE OPTION 12V AC / DC
⌘ EICGN0512SAF	
⌘ EICGYS0512SAF	
ECGN0512SEC	FAIL SECURE OPTION 12V AC / DC
⌘ EICGN0512SEC	
⌘ EICGYS0512SEC	
ECGN0524SAF	FAIL SAFE OPTION 24V AC / DC
⌘ EICGN0524SAF	
⌘ EICGYS0524SAF	
ECGN0524SEC	FAIL SECURE OPTION 24V AC / DC
⌘ EICGN0524SEC	
⌘ EICGYS0524SEC	

GRADE 1 Delayed Egress All in One Exit Device
ANSI BHMA A156.24 Delayed Egress Locking System



FEATURES		
<p>EGRESS DELAY</p> <ul style="list-style-type: none"> All in One Device 15 or 30 second exit delay (Factory set to 15 secs) 1 or 2 second nuisance delay Alarm and Lock reset 1 to 30 second momentary bypass Sustained bypass 	<p>BUILT-IN ANNUNCIATION</p> <ul style="list-style-type: none"> Armed mode Nuisance mode Irreversible egress mode Release mode <p><i>Optional External Inhibit Input</i></p> <ul style="list-style-type: none"> Remote override Remote reset 	<p>CODE COMPLIANCE</p> <ul style="list-style-type: none"> IFC International Fire Code IBC International Building Code NFPA 101 Life Safety Code NFPA 1 Uniform Fire Code California Building Code Field selectable automatic or manual power up after emergency release or power loss
<p>CONTROL INPUTS</p> <ul style="list-style-type: none"> 1 to 30 second request-to-exit and bypass input with anti-tailgate and jumper selectable door prop alarm Reset 	<p>TRIGGER MODES</p> <ul style="list-style-type: none"> Egress Alarm triggered by Push Bar Trigger input from external device field selectable (N / O or N / C) 	<p>MONITORING OUTPUTS</p> <ul style="list-style-type: none"> Armed mode Nuisance mode Release status

MUST ORDER CR602RF or CR631RF POWER SUPPLY TO HONOR WARRANTY AND UL MARKING

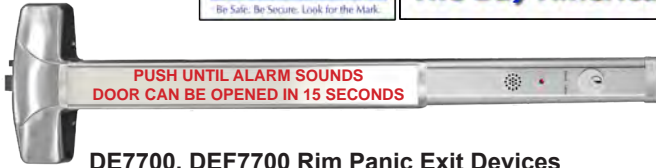
TECHNICAL SPECIFICATIONS	APPLICATION
<ul style="list-style-type: none"> 24VDC @ 430mA 24VDC @ 250mA Slave <p>Power Supply CR602RF 1 Amp / CR631RF 1.5 Amp</p> <ul style="list-style-type: none"> Field selectable 12 or 24V DC, regulated and filtered Auto resetting output circuit protection Isolated 13.5 / 27V DC battery charger Low battery disconnect Emergency release input Field selectable UBC & California compliant manual power up Input, output and battery status LED's 12" x 12 1/4" x 3 7/8" enclosure Choice of output and door control modules Batteries not included 	<p>When unauthorized egress is initiated the device delays egress through the door for 15 seconds (or 30 seconds). Meanwhile, the person exiting must wait while personnel or security responds. The door unlocks after 15 seconds have elapsed permitting egress. When powered by a fire control supervised power supply, the lock will release immediately in an emergency.</p> <p>FOR USE WITH: (FIRE AND NON-FIRE)</p> <ul style="list-style-type: none"> DE7700 Rim Panic Exit Device DEF7700 Rim Panic Exit Device DEMCVR7700 Concealed Vertical Rod (metal doors) DEWCVR7700 Concealed Vertical Rod (wood doors) DEFMCVR7700 Concealed Vertical Rod (metal doors) DEFWCVR7700 Concealed Vertical Rod (wood doors) DE7700V Surface Vertical Rod Exit Device¹ DEF7700V Surface Vertical Rod Exit Device¹ DEMR7700 Mortise Exit Device DEFMR7700 Mortise Exit Device <p>¹Recommends use of rod and latch guards and strike monitor for surface vertical rods</p>

7700 Series Delayed Egress Models

GRADE 1 Delayed Egress All in One Exit Device

ANSI BHMA A156.24 Delayed Egress Locking System

For use in institutions, schools, universities, commercial buildings where heavy duty reliable operation is a requirement. 7700 Series Delayed Egress can also be used for fire exit hardware for all types of 4' x 8' single doors and 8' x 8' double doors for up to 3 hour fire labeled installations, it conforms to standards UL10C and UBC 7-2-1997 codes.

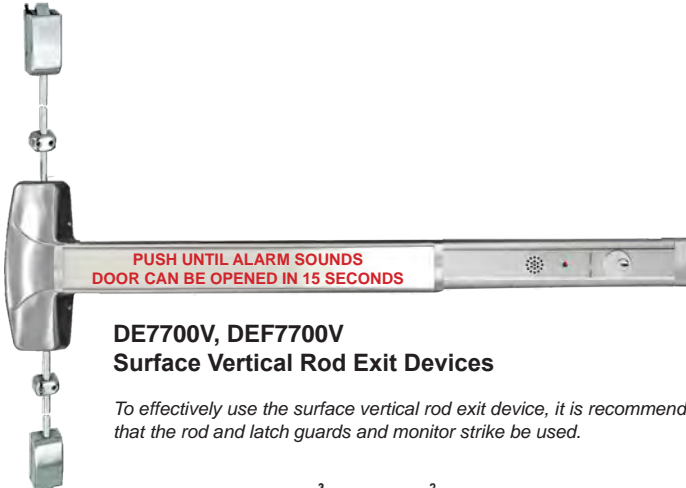


DE7700, DEF7700 Rim Panic Exit Devices



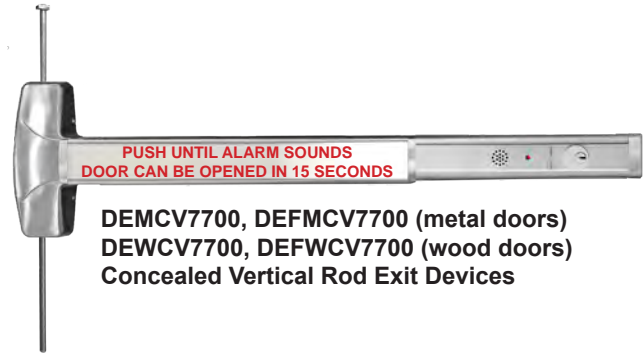
DEMR7700, DEFMR7700 Mortise Exit Devices

If a door position switch is not used, the outside trim will operate the door without affecting the armed setting of the device.

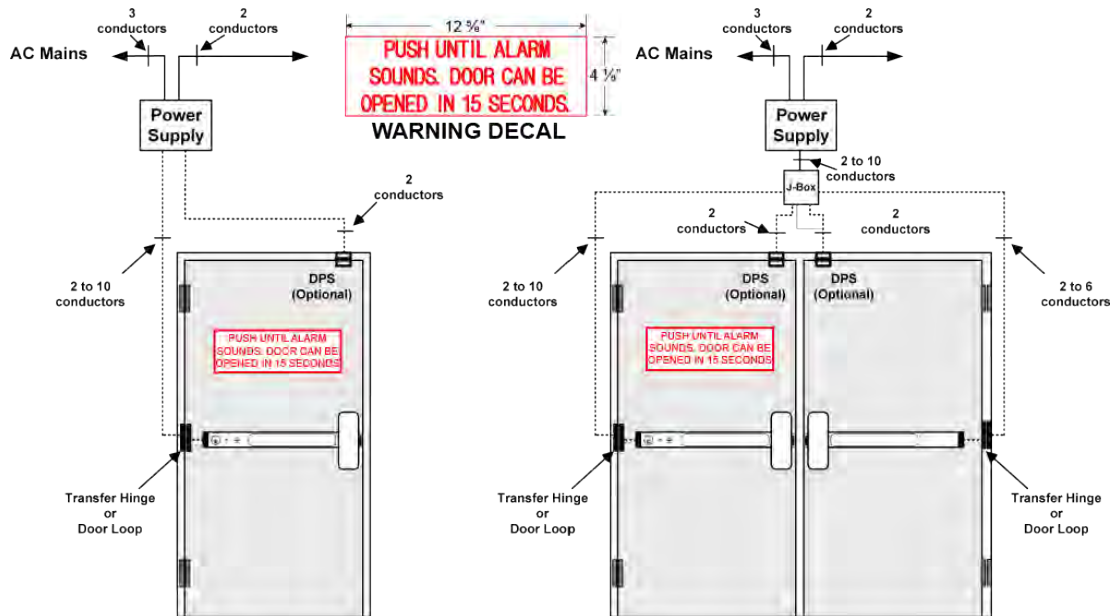


**DE7700V, DEF7700V
Surface Vertical Rod Exit Devices**

To effectively use the surface vertical rod exit device, it is recommended that the rod and latch guards and monitor strike be used.



**DEMCV7700, DEFMCV7700 (metal doors)
DEWCV7700, DEFWCV7700 (wood doors)
Concealed Vertical Rod Exit Devices**



Single Door

Pair of Doors

MUST ORDER CR602RF OR CR631RF POWER SUPPLY TO HONOR WARRANTY AND UL MARKING

Cal-Royal's electrified lever trim provides remote locking and unlocking capabilities using industry safety standards. The 24V DC solenoid can be energized from a distant controller, thus allowing access control of the opening.

The control of stairwells in high-rise buildings is a common application for this trim, where electric pullback of the exit device's latch bolt is cost prohibitive or not required. This is especially practical in applications where fire / life safety codes require a "fail-safe" condition which is not an option with electrified latch pullback devices. Because the current draw is quite low there is no need for a more expensive power supply to provide the surge current.

Features

- Continuous duty solenoids used to insure trouble-free operation
- Internally mounted solenoid to ease installation (no special door prep required)
- Field Reversible
- Low current draw
- 3 Year "No Hassle" Warranty

Options

- Available Fail Safe (electrically locked) or Fail Secure (Electrically Unlocked)
- Voltage options – 12V or 24V (AC / DC)
- Request to Enter Switch (REE) available
- CRU2 – Current Reduction Unit to improve solenoid life in "continuously on" applications

Specifications

Solenoid.....Continuous Duty 24VDC
 Operating Voltage....12 or 24VAC / DC + OR – 10% (must specify 12 or 24 volts when ordering)
 Amperage.....250mA@12V / 150mA@24V
 Coil Resistance.....12V=49Ω / 24V=159Ω

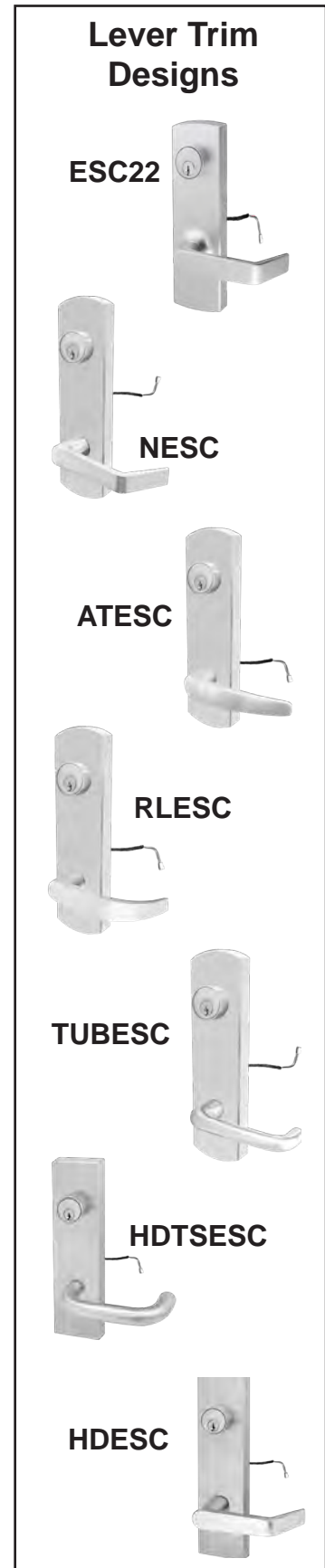
To order, Specify:

OPTIONS: FAIL SAFE (FS)
 FAIL SECURE (FSE)

ITEM#	DESCRIPTION
FS12	FS12 FAIL-SAFE OPTION 12V AC / DC
FS24	FS24 FAIL-SAFE OPTION 24V AC / DC
FSE12	FSE12 FAIL-SECURE OPTION 12V AC / DC
FSE24	FSE24 FAIL-SECURE OPTION 24V AC / DC

TO ORDER other design add "ESC22", "ESC77", "ATESC77", "RLESC77", "TUBESC77", "ESC98", "ATESC98", "RLESC98", "TUBESC98" to ITEM#
 e.g. FSE24ATESC77 for ESC77 in AT design or FSE24RLESC77 for ESC77 in RL design

TO ORDER heavy duty design add **HD** or **TS** to Item#
 e.g. FS12HD or FS12TS



ELECTRONIC CRCODE007

Features

- Dual mode for code free entry either mechanically by key or electronically thru the keypad
- Designed for 7700 and 9800 Series
- Can store up to 90 different numeric user codes in 4, 5 or 6 digits
- Settings remain in memory when batteries are removed
- Audible alarm sounds after 3 incorrect attempts
- Connections available for remote release switch and automatic lock activation when linked to Fire alarm system
- Can be used as STOREROOM or CLASSROOM function
- Factory default set as STOREROOM function
- Fast and easy programming via master code



CR4000 and CR5000 TRILOGY® KEYLESS EXIT TRIM

(for 9800 Series)

(for 7700 Series)

Features

- Clutch mechanism insures long life and durability
- Fingertip and / or Windows Programmable
- 2000 User Codes: Master, manager, supervisor and users
- Real Time Clock for up to 40,000 Event Time / Date-Stamped Audit Trail
- Up to 500 Lock / Unlock Schedules (with Time Zone Support)
- Rugged 12-Button Metal Keypad
- Non-Handed; Fully Field Reversible
- Adaptable to most major manufacturers of standard RIM and IC RIM Cylinders
- Battery operated; uses 5 AA batteries

- • Optional Interchangeable Core available with Best, Falcon, Arrow Small Format and Schlage Full Size Format IC Cores



KABA® - Cal-Royal Combination

Cal-Royal's Exit hardware devices combined with **Kaba InSync CP** provide a variety of alternatives when addressing community access control. Recommended for applications such as controlling building entry openings, common area rooms and doors with exit devices. **InSync CP** are available as stand-alone battery operated door locks designed to work in conjunction with *Cal-Royal's Exit Hardware Devices*.



KABA InSync CP is not sold through CAL-ROYAL. For inquiries and information on InSync line of products please visit www.kabamultihousing.com

The CRPS1N is a heavy duty, high quality, low cost solution for powering a single latch retracting exit device. The solid-state design insures years of trouble-free operation. The power supply delivers raw, unregulated DC current which is ideal for the extreme in-rush requirement of most motor driven electric latch retracting exit devices. The power supply comes housed in a sturdy, yet compact metal enclosure.

CRPS1N



Features:

- Power supply delivers the necessary high current in-rush for a single exit device
- Solid-state design eliminates problems associated with mechanical relays
- Single input/output
- No hassle 2-year warranty



Specifications:

- Input voltage – 120 VAC
- Output voltage – 24 VDC unregulated @ 1A
- Temperature range – 0 to 120F
- 1 Solid-State input/output (input triggered by dry contact)
- LEDs – RED = Power indicator
GREEN = Channel on
- Enclosure dimensions: 10" x 10" x 4"

The CRPS2 Series power supplies are high quality, cost effective solution for powering two electric latch-retracting exit devices. These power supplies provide the necessary surge current that most latch-retracting exit devices require. The CRPS2 Series offers features found on power supplies costing much more; and the solid-state design and careful attention to detail make the CRPS2 Series ideal choice for the discerning user who requires a power supply that can offer years of trouble-free operation.

**CRPS2
CRPS2BB**



Features:

- Delivers the necessary in-rush current to power two latch pullback exit devices.
- Two independent inputs/outputs
- Solid-state design eliminates mechanical problems associated with relays
- Thermal overload sensing reduces risk of failure due to overheating
- Fire alarm disconnect link
- Inputs triggered by dry contact
- Intelligent short circuit detection detects shorts much faster than fuses and isolates the short to the individual output
- Removable Euro-style terminal blocks allow for easy installation
- UL Pending at time of print
- No hassle 2-year warranty

Additional Features (CRPS2BB Only):

- Efficient battery backup/charging circuitry with zero voltage drop at power loss
- Solid state reverse polarity protection for battery connections
- Audible alert when sensing AC power failure & low battery (batteries not included)
- Output Voltage – 24 VDC unregulated @ 2.3A
- Enclosure dimensions: 12.5" x 15" x 4"

Specifications:

- Input Voltage – 120 VAC
 - Output Voltage – 24 VDC unregulated @ 2A**
 - Temperature Range – 0° to 120°F
 - 1 Solid-State input/output (input triggered by dry contact)
 - LEDs – RED = Power indicator
GREEN = Channel on
 - Enclosure dimensions: 10" x 10" x 4" **
- **CRPS2 only**

The CRSW3 power supply is a low cost, regulated switching power supply. It is designed specifically to supply power to low current DC devices such as mortise locks, cylindrical locks and electric strikes. The CRSW3 supplies 2.4A @ 27VDC and provides (3) non-fused outputs. The CRSW3 comes housed in a 10" x 10" x 4" sturdy metal enclosure.



CRSW3

Features:

- Adjustable output voltage (22-27V under load)
- No hassle 2-year warranty

Specifications:

- Input voltage – 110 or 240VAC
- Output voltage – 2.4A @ 27VDC
- (3) Non-fused outputs
- Enclosure dimensions : 10" x 10" x 4"

CRPS202/202B linear design makes it a perfect match for electric locks, motor driven exit devices, electric strikes, and mag locks.

**CRPS202
CRPS202B**



Features:

- Built to run up to 2 locks, exit trim and LP Motor Kits
- Interruption-free battery back-up
- Door mounted LED Power Indicator
- Over-voltage protection
- Regulated, independent battery charging
- Fire alarm link
- No hassle 2-year warranty

Specifications:

- Input voltage – 120 VAC, 60 Hz
- Input Fuse: 2 Amp Fuse @ 250VAC
- Output voltage – 2A @ 24VDC
- Temperature range: 0 to 49° C; 32 to 120° F
- Maximum humidity: 85%

The CRPS5 power supply is a regulated, linear power supply rated at 5 Amps @ 24VDC. Its state-of-the-art, solid-state design offers a flexible and cost effective solution to powering and controlling low current DC locking devices. It is available in 4, 6, and 8 I/O models.

CRPS5 (5 Amps, 1 I/O)

OPTIONS:

CRPS5-4 (1.25 Amps, 4 I/O)

CRPS5-6 (0.83 Amps, 6 I/O)

CRPS5-8 (0.625 Amps, 8 I/O)



Features:

- Adjustable output voltage from 24-27VDC
- Independent, Battery backup charging circuit at 27.6V with Solid-state design and very low voltage loss
- No hassle 2-year warranty

Specifications:

- Input voltage - 110 VAC
- Output voltage - 24VDC @ 5A continuous current
- Up to (8) Solid-state inputs (specify dry contact or voltage trigger)
- Up to (8) Solid-state outputs
- Thermal auto-resettable fuses



Electrical Latch Retraction

Our electrified latch pullback exit device allows for remote keyless access control in high occupancy / high traffic conditions where exit devices are required. Common applications include conditions such as hospitals, airports, schools, churches and they are commonly specified in applications that require automatic door openers. The device may be continuously energized allowing for a push / pull condition if desired.

Features:

- Available on 7700 / 9800 / 2200 Series, including rim, vertical rod, concealed vertical rod fire-rated devices
- MM3 Smart Module: On board diagnostics with audible feedback for adjustment and power issues
- "PTS" (Push to Set Technology): 5 second electronic adjustment for easy post installation adjustment
- Electric dogging rated for continuous duty - Auto retraction if dogged push pad is pulled from position
- Low current draw
- Up to 500' wire run with (2) 18ga wire - Long wire runs provides installer with convenience of placing the locking device power supply in a centralized location; i.e. the same closet as the access panel
- 6' cable with Quick Connect for MM3 module to easily connect to power supply lead
- 3-year "No Hassle" warranty

Specifications:

- Voltage – 22 to 28 VDC
- System protection – unit shutdown when voltage exceeds 28VDC
- Average In-rush Current – 1A; Average Hold Current -180mA
- PTS adjustment – approx. ¼"
- Wire run: 500' with 18ga wire; 700' with 16ga wire

To order, specify:

- Prefix ELR before PART#

FOR FIELD INSTALLATION
USE FLR7700 KIT (FOR 7700 SERIES),
FLR2298 KIT (FOR 9800 / 2200 SERIES)

**MUST USE CRP POWER SUPPLIES
TO HONOR WARRANTY**

FLR2298 & FLR7700 KIT

(FOR 9800 & 2200 SERIES EXIT DEVICES)

(FOR 7700 SERIES EXIT DEVICES)

MOTORIZED LATCH PULL BACK KIT

FEATURES

- FAST QUIET AND SMOOTH OPERATION
- LOW SURGE CURRENT DRAW
- MM3 MODULE IS COMPATIBLE WITH MOST 24VDC, 1A (OR GREATER) REGULATED POWER SUPPLIES
- ELECTRONIC DOGGING
- IF PUSH PAD IS PULLED FROM OPENING POSITION, MM3 WILL RE-SET ITSELF & PULL BACK THE LATCH WITHOUT FAIL
- PUSH TO SET (PTS) ELECTRONIC ADJUSTMENT FOR LATCHBOLT TRAVEL
- ON-BOARD SELF DIAGNOSTICS FOR FAST, EASY TROUBLE-SHOOTING AT THE OPENING
- 6' CABLE WITH QUICK CONNECT FOR MM3 MODULE
- UP TO 700' WIRE RUN WITH 18½ WIRE TO POWER SUPPLY, SAVES COST
- 3-YEAR "NO HASSLE" WARRANTY ISSUES RELIABILITY TO THE OWNER



Tested to 2,000,000 Cycles



FLR2298 & FLR7700 KIT
(fail secure)

Complete accessory kit to convert 36" & 48" devices. Door is secure without power. Door is unlatched electronically. Latchbolt retracted by pushpad inside or electronically by adding power.

SPECIFICATIONS

- ◆ Operating Voltage Range - 22 to 30VDC
- ◆ System Protection - Unit shutdown when voltage exceeds 31VDC
- ◆ Current Peak - 1A
- ◆ Current Hold - 125mA

OPTIONS

- REX - Request to Exit switch available factory installed
- VDREXKIT-ED - Field Installable Request to Exit kit available
- LBM - Latch Bolt Monitor switch available factory installed
- Power Supplies - PS1 for single door or two door simultaneous operation, PS2 / PS2BB for up to two independently operated doors, PS5 Series for up to eight independently operated doors or most 1A or greater regulated power supplies.

MAXIMUM WIRE RUNS

- ◆ 700' with 18ga wire
- ◆ 1000' with 16ga wire
- ◆ 1250' with 14ga wire
- ◆ 1500' with 12ga wire

Signal Switch RX and LX

RX (request to exit) signal switch is used to signal the use of an opening from the push side. When the push pad is depressed, the switch is activated. These devices are equipped with an internal SPDT (single pole double throw) switch that monitors the touch bar.

LX (latch bolt monitoring) signal switch monitors both egress and access of an opening. When the latch bolt is retracted, the switch is activated. These devices are equipped with an internal SPDT (single pole double throw) switch that monitors the latch bolt position.

LX and **RX** switches can be combined.

LX, RX switches can be used in combination with ELR (electric latch retraction) option.

Specifications

RX or **LX**.....Switch rated 0.5 amps @ 24VAC / DC resistive
Low current **RX** or **LX**. Switch rated 0.5 amps @ 24VAC / DC resistive
For Factory Installed:

To Order, Specify:

Prefix: **RX7700**.....Request to Exit switch for field installation
LX7700.....Latch bolt Monitoring switch for field installation
LXRX7700.....Latch bolt Monitoring / Request to Exit Combination

RX9800-M & RX7700-M

REQUEST TO EXIT SWITCH KIT FOR FLR2298 KIT, FLR7700 KIT

FEATURES

- APPLICABLE FOR 9800, 7700 AND 2200 SERIES EXIT DEVICE
- **RX (REQUEST TO EXIT) SIGNAL SWITCH FEATURE IS USED TO SIGNAL THE USE OF AN OPENING FROM THE PUSH SIDE**
- **WHEN THE PUSH PAD IS DEPRESSED, THE SWITCH IS ACTIVATED**
- **THESE DEVICES ARE EQUIPPED WITH AN INTERNAL SPDT (SINGLE PULL, DOUBLE THROW) SWITCH THAT MONITORS THE TOUCH BAR**
- **FIELD INSTALL**



SPECIFICATIONS

- Rating - 5A @ 120VAC
- Configuration - Green - Common (C)
Blue - Normally Open (NO)
Gray - Normally Closed (NC)

KIT INCLUDES

- 1 - Rex Sticker
- 2 - Phillips Head Screws
- 2 - Washers
- 1 - Cable Tie Mount
- 1 - REX Switch with 4' Lead
- 1- Cable Tie

ELECTRIFIED HINGES

FEATURES

- The Electrified Hinge makes door wiring easy, safe and reliable
- Power can now be transferred from the frame into the door either concealed or exposed
- We are now able to monitor the position of the door, transfer power and incorporate both functions into a single hinge
- We now have the ability to electrify other hardware items such as Exit Devices, Electric Strikes and Electrified Locks
- Full Mortise Hinges are highly recommended for modification purposes
- Monitoring can be supplied on a half surface hinge if the need arises
- It is recommended that the center hinge location be used with all electrically modified hinges
- The maximum voltage allowed in electrified hinges is 48 volts. The current (amperes) should also be taken into consideration

ITEM#	NO. OF WIRES	CONTINUOUS HINGE ELECTRIFICATION MODIFICATIONS FOR CRHD781120 AND CRHD782240 ONLY
CET8CRHD781120 CLR	8	Removable 12" Aluminum Gear Hinge Can easily be removed for adjustment and service.
CET8CRHD781120 DB		
CET8CRHD782240 CLR		
CET8CRHD782240 DB		
EPT	--	Cut-out according to Von Duprin Part # EPT-10 and Cal-Royal CRPT-10, CRPT-10C and CRPT-2 location



FOR QUICK CONNECT OPTION ON 8-WIRE & 12-WIRE ELECTRIFICATION, PREFIX "ELQC" BEFORE ITEM #.



molex
MICRO-FIT 3.0" INTERCONNECT SYSTEM AVAILABLE TO RETROFIT COMMON QUICK CONNECTION SYSTEMS SUCH AS ELECTROLYNX® OR ALLEGION CONNECT®.



CET8CRHD782240



CET8CRHD781120

4, 6 and 8-wire available on all standard weight, heavy weight and concealed ball bearing hinges in all sizes. Specify Hinge.

ENERGY TRANSFER HINGES FOR CYLINDRICAL LOCKS, MORTISE LOCKS AND PANIC TRIMS

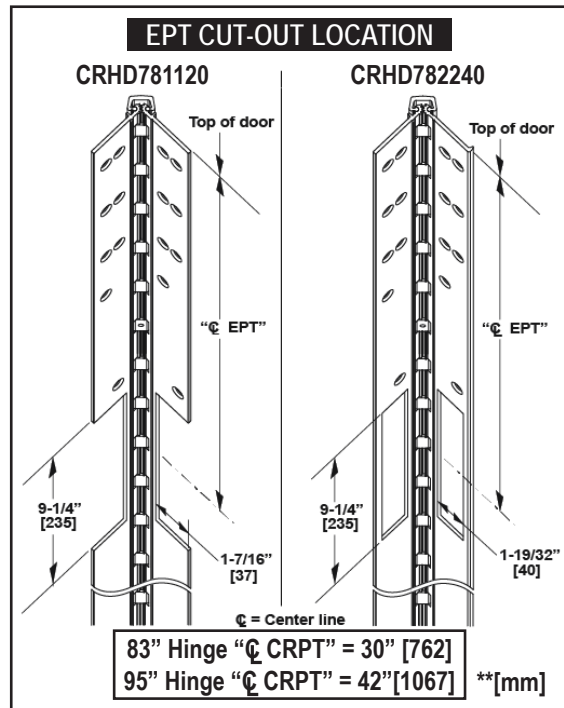
Prefix **ELE** + (**No. of wires**) before **ITEM #**

- ELE4: 4 Wires** - 26 gauge - 1A @ 24V (per pair)
- ELE6: 6 Wires** - 28 gauge - 1A @ 24V (per pair)
- ELE8: 8 Wires** - 28 gauge - 1A @ 24V (per pair) - **ELQC8:** (For QC Option)
- ELE12: 12 Wires** - 28 gauge - 1A @ 24V (per pair) - **ELQC12:** (For QC Option)

ENERGY TRANSFER HINGES FOR ELECTRIFIED PANIC BAR (ELR)

Prefix **ELELR** + (**No. of wires**) before **ITEM #**

- ELELR4: 2 Wire** -18 gauge, 5A (16A in-rush for 300 ms.) + **2 Wire** -26 gauge
- ELELR6: 2 Wire** -18 gauge, 5A (16A in-rush for 300 ms.) + **4 Wire** -28 gauge
- ELELR8: 2 Wire** -18 gauge, 5A (16A in-rush for 300 ms.) + **6 Wire** -28 gauge
- ELELR12: 2 Wire** -18 gauge, 5A (16A in-rush for 300 ms.) + **10 Wire** -28 gauge



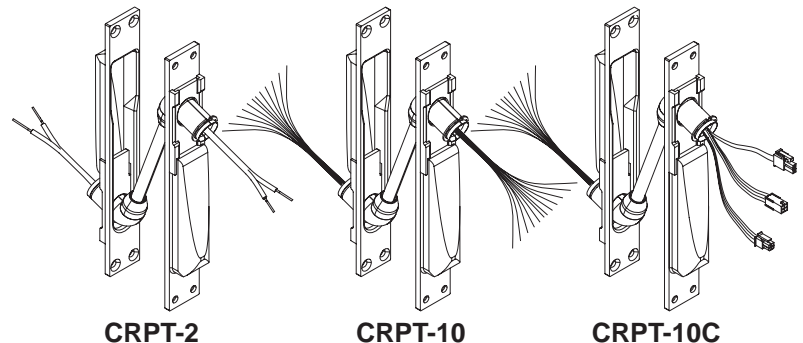
◆◆◆FOR OTHER LOCATIONS CONSULT FACTORY◆◆◆

CRPT-2, CRPT-10, CRPT-10C CONCEALED POWER TRANSFER UNITS



Features:

- **CRPT-2, CRPT-10** and **CRPT-10C** are designed to transfer electrical power from the frame to the door in a very secure manner
- **UL 10C-Listed** for up to 3 hours for Fire Rated doors and frames **Standard 7-2**, "Fire Test of Door Assemblies" (1997)
- **UL-Listed** as Miscellaneous Fire Door Accessories
- Classified according to Uniform Building Code (UBC)
- Unit is mortised into the edges of the door and frame and is completely concealed when door is in the close position
- Designed for use in high traffic openings
- Packaged individually with fasteners for wood, steel or aluminum doors and frames
- All parts are made of metal including back boxes - no plastic parts
- Crimp connectors are supplied for a more secure and clean connection
- Housing Dimensions: 9" H x 1 1/4" W x 1 5/8" D (229mm x 32mm x 41mm)
- Minimum door thickness - 1 3/4"
- Approximate shipping weight: 2.25 lbs.
- Standard Finishes:
 - AL - Aluminum
 - DU - DURO
- *Not for use with swing-clear hinges, pocket pivots, butt hinges larger than 6", 1 1/2" offset pivots or center hung doors*



Can be used in combination with the following hinges:

HINGE TYPE	MAXIMUM DOOR SWING
Butt Hinges up to 5"	180°
5 1/2" butt hinges	130°
6" butt hinges	110°
Up to 3/4" offset pivots	180°

WARNING: Not for use with swing-clear hinges, pocket pivots, butt hinges larger than 6", 1 1/2" offset pivots or center hung doors

TECHNICAL SPECIFICATIONS

CRPT-2	- (2) 18 AWG Wires - Max. Rating: Up to 2 AMPS @ 24 VDC, 2A or 120 VAC NEC Class 3
CRPT-10	- (10) 24 AWG Wires - Max. Rating: Up to 1 AMP @ 24 VDC, 1A
CRPT-10C	- (10) 24 AWG Wires - Max. Rating: Up to 1 AMP @ 24 VDC, 1A - 3 separate quick-link connectors for a more organized connection

MANUFACTURER CROSS REFERENCE

CAL-ROYAL	Von Duprin*	Securiton*	ABH*	SDC*
CRPT-2	EPT2	CEPT-2	PT200	PTM-2
CRPT-10	EPT10	CEPT-10	PT1000	PTM-10
CRPT-10C	EPT-10C	EL-CPT-10C	-	-

*Brand names are trademarks or registered trademarks of their respective companies.

MAGNETIC DOOR HOLDER

Features

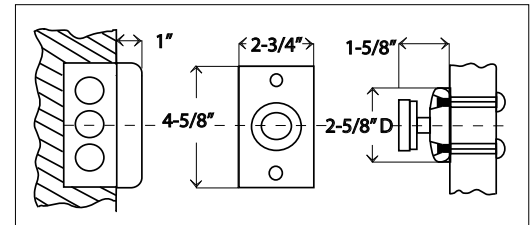
- Tri-voltage (Can be wired 12V DC, 24V AC / DC or 120V AC)
- Can be used on Fire or Smoke Barrier doors Held-Open until released by a Remote Switching device
- Used alternatively as Hold-Open system
- Thru-bolted Armature for Security
- 30-45 Pound Holding Power
- Underwriters US and Canada Listed
- ANSI / BHMA 156.15
- Available in US28 (Brushed Aluminum), Duro and Gold finishes



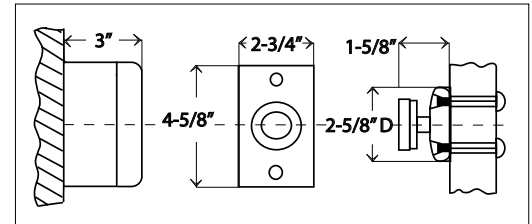
Approved by the California Department of Forestry & Fire in accordance with printed instructions, applicable codes and ordinances in a manner acceptable to the authority having jurisdiction.

MDHR-1 RECESSED WALL MOUNT

PACKED WITH 1" EXTENSION BOLT



MDHS-2 SURFACE WALL MOUNT



PERFORMANCE DATA			
MODEL	VOLTS	mAmps	VA
MDHR-1	12 DC	60	72
MDHS-2			

ITEM #	DESCRIPTION	FINISH	PCS /MC	UNIT
MDHR-1	Magnetic door holder recessed wall mount with 1" extension bolt	US28 DURO GOLD	1	Ea.
MDHS-2	Magnetic door holder surface wall mount			
MDHEXT-3	Additional 1" Extension Bolt	US28		

CROSS REFERENCE									
FUNCTION	CAL-ROYAL	ABH	DORMA	RIXSON	NORTON	YALE	SARGENT	CORBIN RUSSWIN	LCN
RECESSED WALL MOUNTED 3 5/8" TOTAL PROJECTION	MDHR-1	2100* with 1" extension	EM-F24120	FM-998	6933	5933	1560	MA 204 MA 244	SEM 7850
RECESSED WALL MOUNTED 2 5/8" TOTAL PROJECTION	MDHR-1	2100	EM-F24120	FM-997	6934	5934	1560	MA 203 MA 243	SEM 7840
SURFACE WALL MOUNTED 4 5/8" TOTAL PROJECTION	MDHS-2	2300	EM-S24120	FM-996 FM-999	6935	5935	-	-	SEM 7830

CR441EHO - CR441 WITH ELECTRONIC HOLD-OPEN TRACK

- Full Cover Multi-size
- Full Feature Closer
- ANSI 156.4 Grade 1
- UL Listed, Conforms to Standards
- UL10C and UBC7-2-1997
- BHMA Certified Lifetime Warranty
- Electronic Hold Open Track



FEATURES

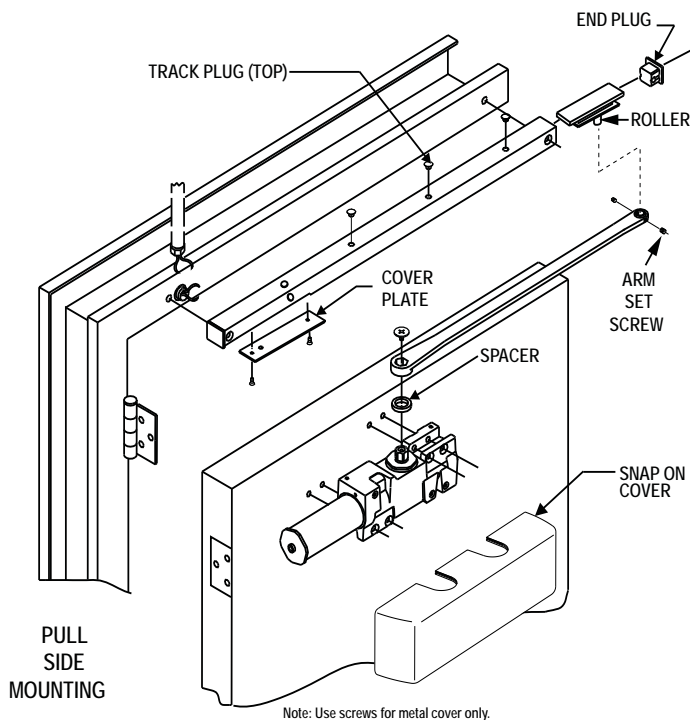
- Heavy Duty Electronic Closer / Holder Track for CR441 Door Closers
- Designed for Single Point Hold-Open for Fire and Smoke Barrier Doors
- Designed to Hold Doors Open in Normal Use and Close Under Fire Conditions
- Adjustable Hold-Open Force
- Functions as a Full Rack and Pinion Closer when Hold-Open is Not Engaged or Current is Interrupted
- Door Opening can be Adjusted on the Track Arm
- Concealed or Surface Wiring
- Interfaces with Alarm Systems
- Mounts on Either Head Frame or Stop
- Non-Handed
- Non-Sized
- 24V AC / DC Input for Holding Solenoid
- Includes Test Switch for Integrity Cycle Test

The **CR441EHO** is a Grade 1 heavy duty door closer with electrically controlled hold-open track arm. It is designed to provide adjustable hold-open for fire and smoke barrier doors.

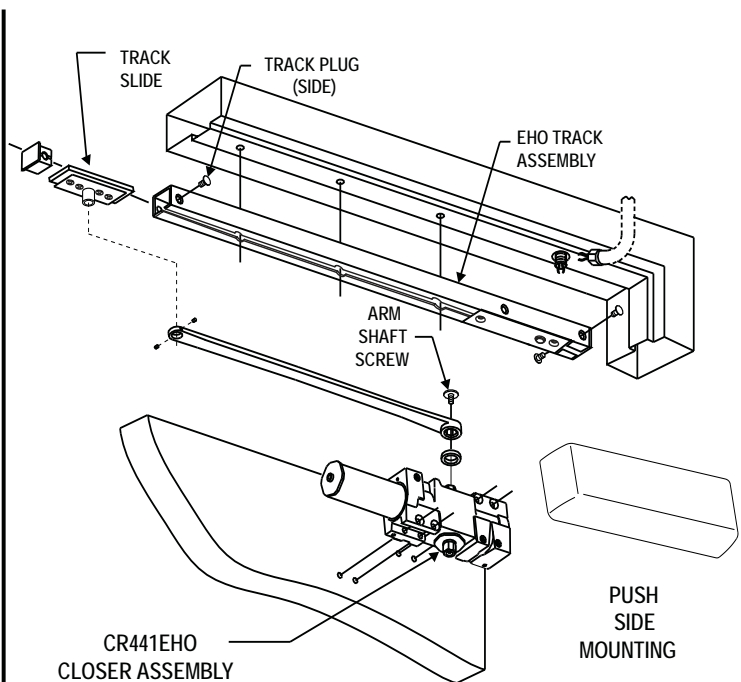
Door is held open until current interruption releases mechanism and the door closes. It can also be interfaced to any alarm systems and has a built-in switch for integrity cycle testing.

Single lever (track) arm closer is specifically designed for interior doors.

The **CR441EHO** Series door closer body is UL & cUL listed for smoke barrier or labeled fire doors. Tested and certified under ANSI Standard A156.15. Conforms to life safety code, NFPA 101. BHMA Certified Lifetime Warranty.



Note: Use screws for metal cover only.



Note: Use screws for metal cover only.

