



ADVANTEC ADVANTAGE

WE ARE PASSIONATE ABOUT DELIVERING



3 YEAR  
HASSLE-FREE  
WARRANTY

RELIABLE *SOLUTIONS*  
SUPERIOR *QUALITY*  
WORLD-CLASS *SUPPORT*

# RAISING THE BAR ON YACHT CRANE PERFORMANCE

OUR COMPLETE LINE OF HIGH PERFORMANCE YACHT EQUIPMENT



Proudly part of the **AdvanTec** family of brands



ADVANTEC GLOBAL INNOVATIONS



ADVANTECGLOBAL



ADVANTEC MARINE

WWW.ADVANTECGLOBAL.COM

**ADVANTEC ADVANTAGE**



**3 YEAR**  
HASSLE-FREE  
WARRANTY

WE ARE PASSIONATE ABOUT DELIVERING

RELIABLE **SOLUTIONS**  
SUPERIOR **QUALITY**  
WORLD-CLASS **SUPPORT**

# ABOUT US

**RAISING THE BAR ON YACHT CRANE PERFORMANCE**

## **ABOUT STEELHEAD MARINE**

*High Performance Yacht Equipment*

Steelhead Marine's elegantly designed, high-tech cranes are renowned across the yachting industry, but their ambitions stretch even higher. Through persistence, innovation, and hard work they are aiming to become the leader in advancing hydraulic solutions for the yachting world.

With strong leadership and a dynamic workforce, Steelhead is working to take their innovative products to the next level of sophistication. A diligent sales, engineering, design and build process combined with a close working relationship with their clients ensures Steelhead products will be at the forefront of innovation in the global yacht market.

## **ABOUT ADVANTEC:**

Advantec is a collaboration of brands that specializes in the design, engineering, and manufacturing of a wide variety of marine products. As one of the largest marine manufacturers in the world, with over 150 years of experience collectively from their brands, they have been one of the leaders in innovation and creative manufacturing systems.

# BENEFITS OF STEELHEAD MARINE

## Engineered for Performance

- Greater lift capacity with less crane weight
- Superior engineering and advanced materials
- Durability, strength and reliability
- Compact and attractive design that puts less space and weight demands on your yacht
- Whisper quiet linear winches use composite rope which is quieter and stronger than steel cable
- Our cranes are proof tested to minimum 110% capacity
- All ES and CT series cranes provided with wireless controls

## OUR WARRANTY

HASSLE-FREE



We are committed to delivering solutions that meet our customer's requirements. We offer after-sales service and commissioning support for all products sold.

### All Non-Powered Equipment:

- Platinum Warranty - 3 years from date of shipment

### All Powered Equipment:

- Standard Warranty - 2 years from date of shipment
- 1 year extension - Onsite commissioning required by AdvanTec Marine or certified technician

---

Scan for more information



# HIGH PERFORMANCE YACHT CRANES

## LW Series

These cranes provide the functionality to easily lift small tenders and equipment on or off your vessel or dock with ease. They can be folded down for storage giving it a streamlined appearance.



## WD Series

Whisper-quiet, low lift requirements, compact, sleek, and dual function davits.



## E Series

Lightweight aluminum crane with standard two function (luffing & lifting) operation, lifting capacity 1000 to 1750 pounds. Optional upgrades for wireless controller with three or a full four function operation.



## ES Series

Lightweight, super efficient, low profile European design with four-function hydraulics.



## CT Series

Heavy duty four function hydraulic cranes with live telescoping boom extension and proportional controls.



*Steelhead Marine cranes are found on the finest yachts and superyachts around the world*

# HIGH PERFORMANCE YACHT CRANE LINES

SERIES	HYDRAULIC FUNCTIONS	OPTIONS	MODEL	CAPACITY		REACH		HOIST		RETRACTED LENGTH		WEIGHT		IDEALLY SUITED FOR VESSELS	
				LBS	KG	FT	M	FT	M	FT	M	LBS	KG	FT	M
<b>LW SERIES</b>	NA	Manual Hand Crank Electric Winch 12v Standard Clear Anodized Finish Powder Coat Finish Wired Pendant Controller Wireless Controller	LW250	250	113	5.3	1.6	8	2.4	NA	NA	59.2l Manual version	26.85 Manual version	<50	<15
													72 Electric Version	32.66 Electric Version	
<b>WD SERIES</b>	Hoisting Power Luffing	Pedestal Base Standpipe Mount 12 or 24V DC power	WD600	600	363	8	2.4	17	5.2	NA	NA	215	98	< 50	< 15
			WD800	800	363	8	2.4	17	5.2	NA	NA	215	98	< 50	< 15
			WD1000	1000	454	8	2.4	17	5.2	NA	NA	235	107	< 50	< 15
<b>E SERIES</b>	Hoisting Luffing	Power Rotation Power Extension Pedestal Base Standpipe Mount	E1000	1000	454	10	3.0	16	4.9	6	1.8	384	174	<55	<17
			E1100	1100	500	10	3.0	16	4.9	6	1.8	369	167	<55	< 17
			E1500	1500	680	12	3.7	20	6.1	7	2.1	582	263	55 – 70	17 – 21
			E1750	1750	794	12	3.6	20	6	7	2.1	610	276	> 70	> 21.3
<b>ES SERIES</b>	Hoisting Luffing Rotation Extension	Radio Controlled Pedestal Base Standpipe Mount	ES1000	1000	454	10	3.0	16	4.9	6	1.8	384	174	< 55	< 17
			ES1100	1100	500	10	3.0	16	4.9	6	1.8	384	174	<55	< 17
			ES1500	1500	680	12	3.7	20	6.1	7	2.1	602	273	55 – 70	17 – 21
			ES1750	1750	794	12	3.6	20	6	7	2.1	630	285	> 70	> 21.3
			ES2200	2200	1000	14	4.3	22	6.7	8	2.4	1150	521	> 70	20
			ES2500	2500	1131	14	4.3	22	6.7	8	2.4	1150	521	>70	20
<b>CT SERIES</b>	Hoisting Luffing Rotation Extension	Radio Controlled Fixed Boom 230V AC Power or Ship's Hydraulics Pedestal Base Standpipe Mount Custom Reach Available	CT2000	2000	907	18	5.5	24	7.3	12	3.7	1050	476	> 70	> 21
			CT2500	2500	1134	18	5.5	24	7.3	12	3.7	1150	522	> 70	> 21
			CT3000	3000	1361	16	4.9	24	7.3	11	3.4	1150	522	> 70	> 21
			CT3500	3500	1588	20	6.1	24	7.3	13	4.0	1700	771	>70	> 21
			CT4000	4000	1814	20	6.1	30	9.1	12.5	3.8	2100	953	>70	> 21
			CT5000	5000	2268	20	6.1	30	9.1	12.5	3.8	2400	1089	>70	> 21
			CT6000	6000	2722	20	6.1	30	9.1	12.5	3.8	2600	1179	>70	> 21

# CRANE REMOTES

## WD CONTROLLER



## NON-PROPORTIONAL



## PROPORTIONAL



## LW CONTROLLER



FEATURES

- WIRED
- 6' LANYARD
- 2 FUNCTION CONTROLLER
- ROPE, LUFFING

- WIRED
- 15' LEAD
- 4 FUNCTION CONTROLLER
- ROPE, ROTATION, LUFFING, EXTENSION

- WIRED
- 15' LEAD OR 20' LEAD
- 4 FUNCTION CONTROLLER
- ROPE, ROTATION, LUFFING, EXTENSION

- WIRELESS
- 2 CONTROLLERS
- DUAL ACTING SOLENOID
- RANGE UP TO 50'

APPLICATION

WD600, WD800, WD1000

E1000, E1100, ES1000, ES1100

ES1500, ES1750, CT2000, CT2500, CT3500, CT4000, CT5000, CT6000

LW250

## SM-1



HEIGHT 2.75"

WIDTH 5.12"

## PORPORTIONAL GUIDER



HEIGHT 8.60"

WIDTH 4.90"

## MACRO CONTROLLER



HEIGHT 4.70"

WIDTH 2.59"

## MICRO CONTROLLER



HEIGHT 2.80"

WIDTH 1.75"

FEATURES

- WIRELESS
- 4 FUNCTION CONTROLLER
- ROPE, ROTATION, LUFFING, EXTENSION
- IP67 RATED
- AAA BATTERIES
- RANGE UP TO 100'

- WIRELESS
- 4 FUNCTION CONTROLLER
- ROPE, ROTATION, LUFFING, EXTENSION
- PROPORTIONAL TRIGGER CONTROLLED
- TWIST TO RELEASE E-STOP SAFE SHUTDOWN
- RANGE UP TO 1000'
- RECHARGEABLE BATTERY

- WIRELESS
  - 4 FUNCTION CONTROLLER
  - ROPE, ROTATION, LUFFING, EXTENSION
  - BATTERY LIFE 40 HOURS
  - MICRO USB CHARGER
  - RANGE UP TO 600'
  - CLONEABLE TRANSMITTER
- (CAN HAVE MORE THAN ONE CONTROLLER PER RECEIVER)

- WIRELESS
  - 4 FUNCTION CONTROLLER
  - ROPE, ROTATION, LUFFING, EXTENSION
  - BATTERY LIFE 40 HOURS
  - MICRO USB CHARGER
  - RANGE UP TO 600'
  - CLONEABLE TRANSMITTER
- (CAN HAVE MORE THAN ONE CONTROLLER PER RECEIVER)

APPLICATION

ALL E, ES & CT CRANES

ES1500, ES1750, ES2200, ES2500, ALL CT CRANES

ES1000 & ES1100

ES1000 & ES1100



# SPEC SHEETS

## STEELHEAD MARINE

## LW Series 250 Crane

### PRODUCT DESCRIPTION:

"LW250" Cranes provide the functionality to easily lift small tenders and equipment on or off your vessel or dock with ease.

The Crane can be folded down for storage giving it a streamlined appearance.

Custom mounting options will be discussed at time of request.



EXTENDED  
TALL BASE  
FOR STAND ALONE  
MOUNTING

SHORT BASE  
REQUIRES ADDITIONAL  
TOP BUSHING

WIRED  
CONTROLLER  
12' LEAD



WIRELESS  
CONTROLLER

## FEATURES

Features:

- 360 Manual Rotation
- 12VDC Electric Winch
- Amsteel rope
- Proof tested to 110% capacity
- Reach: 64"
- Height: 97" Extended
- Marine grade Aluminum

Options:

- Manual hand crank
- Manual or Electric Winch
- Anodized or Powder coated finish
- Wired or Wireless controllers

Proudly part of the **Advantec Marine** family of brands





43676 Progress Way, Chilliwack, BC CANADA V2R 0C3  
 28336 Hunter Creek Rd., Gold Beach, OR, 97444, USA  
 info@advantecglobal.com | www.advantecglobal.com  
 604.607.0091 | Toll Free: 1.800.770.0455

WE ARE PASSIONATE ABOUT DELIVERING  
 RELIABLE **SOLUTIONS**  
 SUPERIOR **QUALITY**  
 WORLD-CLASS **SUPPORT**

# WD Series 800/1000



The Whisper Davit series offers a high strength, lightweight crane at an affordable price. It identifies as the Whisper Davit for its whisper-quiet operation while it performs dual functions. Its compact design uses less deck space and is easy to operate.

<b>APPLICATION</b>	Recreational, Light Commercial	
<b>STANDARD FEATURES</b>	<ul style="list-style-type: none"> <li>• 355° Manual Rotation</li> <li>• Smooth Quiet Operation</li> <li>• Linear Winch</li> <li>• Easy Installation</li> <li>• Composite Rope (Not Steel Cable)</li> </ul>	<ul style="list-style-type: none"> <li>• Proof Tested to 110% of Capacity</li> <li>• Yacht Quality Paint Finish</li> <li>• 12 or 24 Volt DC Power Unit</li> <li>• Power Luffing</li> </ul>
<b>OPTIONAL FEATURES</b>	<ul style="list-style-type: none"> <li>• Wireless Control</li> <li>• Custom Specifications Available Upon Request</li> </ul>	
<b>MOUNTING OPTIONS</b>	<ul style="list-style-type: none"> <li>• Standpipe - WD 800 4.5" OD, WD 1000 5.25" OD</li> </ul>	<ul style="list-style-type: none"> <li>• Pedestal Base</li> <li>• FRP HPU Base</li> </ul>
<b>HOSES</b>	16' Standard - Available in 5', 8', 22', and Custom Length	

Proudly part of the **Advantec Marine** family of brands



PROUDLY MADE IN NORTH AMERICA  
**ADVANTEC ADVANTAGE**



**3 YEAR**  
 HASSLE-FREE  
 WARRANTY



43676 Progress Way, Chilliwack, BC CANADA V2R 0C3  
 28336 Hunter Creek Rd., Gold Beach, OR, 97444, USA  
 info@advantecglobal.com | www.advantecglobal.com  
 604.607.0091 | Toll Free: 1.800.770.0455

WE ARE PASSIONATE ABOUT DELIVERING  
 RELIABLE **SOLUTIONS**  
 SUPERIOR **QUALITY**  
 WORLD-CLASS **SUPPORT**

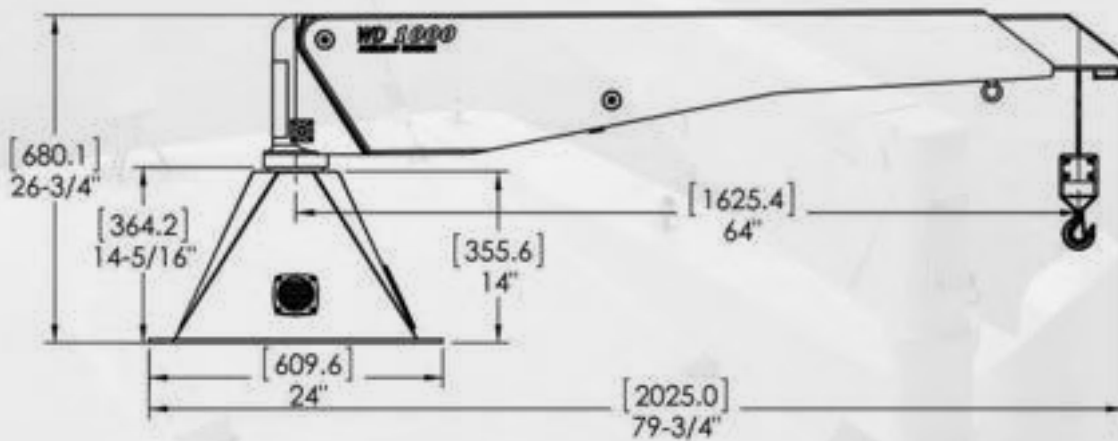
# WD Series 800/1000

## WD 800

CAPACITY	REACH	WEIGHT	HOIST CABLE	CABLE SAFETY FACTOR	HOIST TRAVEL	WINCH TYPE	FOURFUNCTION HYDRAULICS
800 lbs 364 kg	8' 244 m	215 lbs 98 kg	1/4" Amsteel	10:1	17' 518 cm	Linear	Luffing Winch

## WD 1000

CAPACITY	REACH	WEIGHT	HOIST CABLE	CABLE SAFETY FACTOR	HOIST TRAVEL	WINCH TYPE	FOURFUNCTION HYDRAULICS
1000 lbs 455 kg	8' 244 m	215 lbs 98 kg	1/4" Amsteel	8:1	17' 518 cm	Linear	Luffing Winch



Proudly part of the **Advantec Marine** family of brands

PROUDLY MADE IN NORTH AMERICA

ADVANTEC ADVANTAGE



**3 YEAR**  
HASSLE-FREE  
WARRANTY



43676 Progress Way, Chilliwack, BC CANADA V2R 0C3  
 28336 Hunter Creek Rd., Gold Beach, OR, 97444, USA  
 info@advantecglobal.com | www.advantecglobal.com  
 604.607.0091 | Toll Free: 1.800.770.0455

WE ARE PASSIONATE ABOUT DELIVERING  
 RELIABLE **SOLUTIONS**  
 SUPERIOR **QUALITY**  
 WORLD-CLASS **SUPPORT**

# E Series 1000 Crane



Commercial/recreational series. Built on the ES Series design, with the ability to option certain functionality and features to accommodate the needs for a quality crane when budget is a prime consideration. Offers the same specifications of the ES Series but without some of the options to make this a more economical choice when aesthetics is not the top priority. Ideal for a commercial vessel.

<b>APPLICATION</b>	Recreational, Light Commercial	
<b>STANDARD FEATURES</b>	<ul style="list-style-type: none"> <li>• 350° Manual Rotation</li> <li>• Smooth Quiet Operation</li> <li>• Low Profile Design</li> <li>• 2 Function Hydraulics (Luffing, Winch)</li> <li>• 12 or 24 Volt DC Power Units</li> </ul>	<ul style="list-style-type: none"> <li>• ALEXSEAL Yacht Coating</li> <li>• Amsteel Blue™ Synthetic Rope</li> <li>• Proof Tested to 110% Capacity</li> <li>• Wireless Control</li> </ul>
<b>OPTIONAL FEATURES</b>	<ul style="list-style-type: none"> <li>• Power Rotation, Power Extension</li> <li>• Wired Control</li> <li>• 230V AC Power</li> </ul>	<ul style="list-style-type: none"> <li>• Color Match Finish</li> <li>• Custom Specifications Available Upon Request</li> </ul>
<b>MOUNTING OPTIONS</b>	<ul style="list-style-type: none"> <li>• Standpipe 5.25" OD Aluminum</li> <li>• 16" x 19" Aluminum Round Base</li> <li>• FRP HPU Base</li> </ul>	<ul style="list-style-type: none"> <li>• 24" x 24" Aluminum Square Base (16" and 22" High)</li> </ul>
<b>HOSES</b>	16' Standard - Available in 5', 8', 22', and Custom Length	

Proudly part of the **Advantec Marine** family of brands



PROUDLY MADE IN NORTH AMERICA  
**ADVANTEC ADVANTAGE**



**3 YEAR**  
 HASSLE-FREE  
 WARRANTY



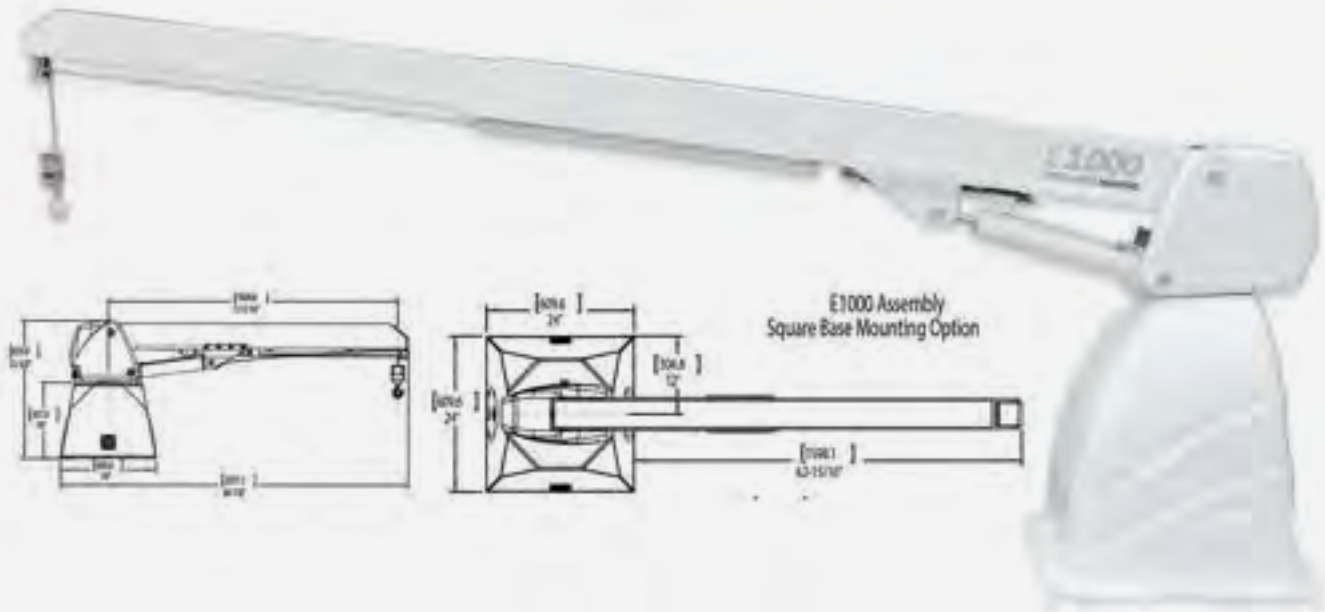
43676 Progress Way, Chilliwack, BC CANADA V2R 0C3  
 28336 Hunter Creek Rd., Gold Beach, OR, 97444, USA  
 info@advantecglobal.com | www.advantecglobal.com  
 604.607.0091 | Toll Free: 1.800.770.0455

WE ARE PASSIONATE ABOUT DELIVERING  
 RELIABLE **SOLUTIONS**  
 SUPERIOR **QUALITY**  
 WORLD-CLASS **SUPPORT**

# E Series 1000 Crane

MODEL	MAXIMUM LIFT	EXTENDED REACH	HOIST HEIGHT	WEIGHT	RETRACTED LENGTH	IDEAL FOR VESSELS
E1000	1000 lbs 454 kg	10' 3.0 m	16' 4.88 m	348 lbs 174 kg	6' 1.83 m	Less 55' 16.8 m

CAPACITY	REACH	WEIGHT	HOIST CABLE	CABLE SAFETY FACTOR	HOIST TRAVEL	WINCH TYPE	OPTIONAL HYDRAULICS
1000 lbs 455 kg	6 - 10' 1.8 - 3 m	Dependent on Options	5/16" Amsteel	9:1	16' 4.9 m	Less 55' 16.8 m	Extension Rotation



Proudly part of the **Advantec Marine** family of brands



ADVANTEC ADVANTAGE



**3 YEAR**  
HASSLE-FREE  
WARRANTY



43676 Progress Way, Chilliwack, BC CANADA V2R 0C3  
 28336 Hunter Creek Rd., Gold Beach, OR, 97444, USA  
 info@advantecglobal.com | www.advantecglobal.com  
 604.607.0091 | Toll Free: 1.800.770.0455

WE ARE PASSIONATE ABOUT DELIVERING  
 RELIABLE **SOLUTIONS**  
 SUPERIOR **QUALITY**  
 WORLD-CLASS **SUPPORT**

# ES Series 1000 Crane



Our lightweight and super efficient ES Series crane offers a low profile European design with four-function hydraulics.

<b>APPLICATION</b>	Recreational, Light Commercial	
<b>STANDARD FEATURES</b>	<ul style="list-style-type: none"> <li>• 350° Power Rotation</li> <li>• Smooth Quiet Operation</li> <li>• Linear Winch</li> <li>• 4 Function Hydraulics (Luffing, Boom Extension, Rotation, Winch)</li> <li>• 12/24V Hydraulic Power Unit</li> </ul>	<ul style="list-style-type: none"> <li>• Low Profile Design</li> <li>• Proof Tested to 110% Capacity</li> <li>• ALEXSEAL Yacht Coating</li> <li>• Amsteel Blue™ Synthetic Rope</li> <li>• Wireless Control</li> </ul>
<b>OPTIONAL FEATURES</b>	<ul style="list-style-type: none"> <li>• Wired Control</li> <li>• 230V AC Power Unit</li> </ul>	<ul style="list-style-type: none"> <li>• Custom Specifications Available Upon Request</li> </ul>
<b>MOUNTING OPTIONS</b>	<ul style="list-style-type: none"> <li>• Standpipe 5.25" OD Aluminum</li> <li>• 16" x 19" Aluminum Round Base</li> <li>• FRP HPU Base</li> </ul>	<ul style="list-style-type: none"> <li>• 24" x 24" Aluminum Square Base (16" and 22" High)</li> </ul>
<b>HOSES</b>	16' Standard - Available in 5', 8', 22', and Custom Length	

Proudly part of the **Advantec Marine** family of brands



 PROUDLY MADE IN NORTH AMERICA  
**ADVANTEC ADVANTAGE**



**3 YEAR**  
 HASSLE-FREE  
 WARRANTY



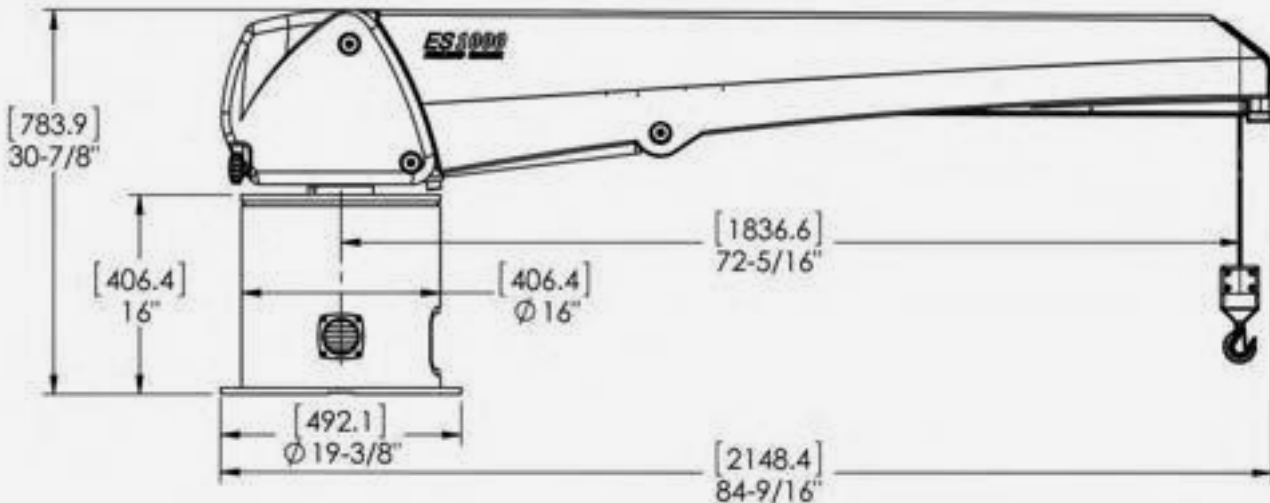
43676 Progress Way, Chilliwack, BC CANADA V2R 0C3  
 28336 Hunter Creek Rd., Gold Beach, OR, 97444, USA  
 info@advantecglobal.com | www.advantecglobal.com  
 604.607.0091 | Toll Free: 1.800.770.0455

WE ARE PASSIONATE ABOUT DELIVERING  
 RELIABLE **SOLUTIONS**  
 SUPERIOR **QUALITY**  
 WORLD-CLASS **SUPPORT**

# ES Series 1000 Crane

MODEL	MAXIMUM LIFT	EXTENDED REACH	HOIST HEIGHT	WEIGHT	RETRACTED LENGTH	IDEAL FOR VESSELS
ES1000	1000 lbs 454 kg	10' 3.0 m	16' 4.88 m	348 lbs 174 kg	6' 1.83 m	Less 55' 16.8 m

CAPACITY	REACH	WEIGHT	HOIST CABLE	CABLE SAFETY FACTOR	HOIST TRAVEL	WINCH TYPE	OPTIONAL HYDRAULICS
1000 lbs 455 kg	6 - 10' 1.8 - 3 m	384 lbs 175 kg	1/4" Amsteel	9:1	16' 4.9 m	Linear	Luffing Extension Rotation Winch



Proudly part of the **Advantec Marine** family of brands



ADVANTEC ADVANTAGE



**3 YEAR**  
HASSLE-FREE  
WARRANTY



43676 Progress Way, Chilliwack, BC CANADA V2R 0C3  
 28336 Hunter Creek Rd., Gold Beach, OR, 97444, USA  
 info@advantecglobal.com | www.advantecglobal.com  
 604.607.0091 | Toll Free: 1.800.770.0455

WE ARE PASSIONATE ABOUT DELIVERING  
 RELIABLE **SOLUTIONS**  
 SUPERIOR **QUALITY**  
 WORLD-CLASS **SUPPORT**

# E Series 1100 Crane



Commercial/recreational series. Built on the ES Series design, with the ability to option certain functionality and features to accommodate the needs for a quality crane when budget is a prime consideration. Offers the same specifications of the ES Series but without some of the options to make this a more economical choice when aesthetics is not the top priority. Ideal for a commercial vessel.

<b>APPLICATION</b>	Recreational, Light Commercial	
<b>STANDARD FEATURES</b>	<ul style="list-style-type: none"> <li>• 350° Manual Rotation</li> <li>• Smooth Quiet Operation</li> <li>• Low Profile Design</li> <li>• 2 Function Hydraulics (Luffing, Winch)</li> <li>• 12 or 24 Volt DC Power Units</li> </ul>	<ul style="list-style-type: none"> <li>• ALEXSEAL Yacht Coating</li> <li>• Amsteel Blue™ Synthetic Rope</li> <li>• Proof Tested to 110% Capacity</li> <li>• Wireless Control</li> </ul>
<b>OPTIONAL FEATURES</b>	<ul style="list-style-type: none"> <li>• Power Rotation, Power Extension</li> <li>• Wired Control</li> <li>• 230V AC Power</li> </ul>	<ul style="list-style-type: none"> <li>• Color Match Finish</li> <li>• Custom Specifications Available Upon Request</li> </ul>
<b>MOUNTING OPTIONS</b>	<ul style="list-style-type: none"> <li>• Standpipe 6.625" OD Aluminum</li> <li>• 16" x 19" Aluminum Round Base</li> <li>• FRP HPU Base</li> </ul>	<ul style="list-style-type: none"> <li>• 24" x 24" Aluminum Square Base (16" and 22" High)</li> </ul>
<b>HOSES</b>	16' Standard - Available in 5', 8', 22', and Custom Length	

Proudly part of the **Advantec Marine** family of brands



 PROUDLY MADE IN NORTH AMERICA  
**ADVANTEC ADVANTAGE**



**3 YEAR**  
 HASSLE-FREE  
 WARRANTY



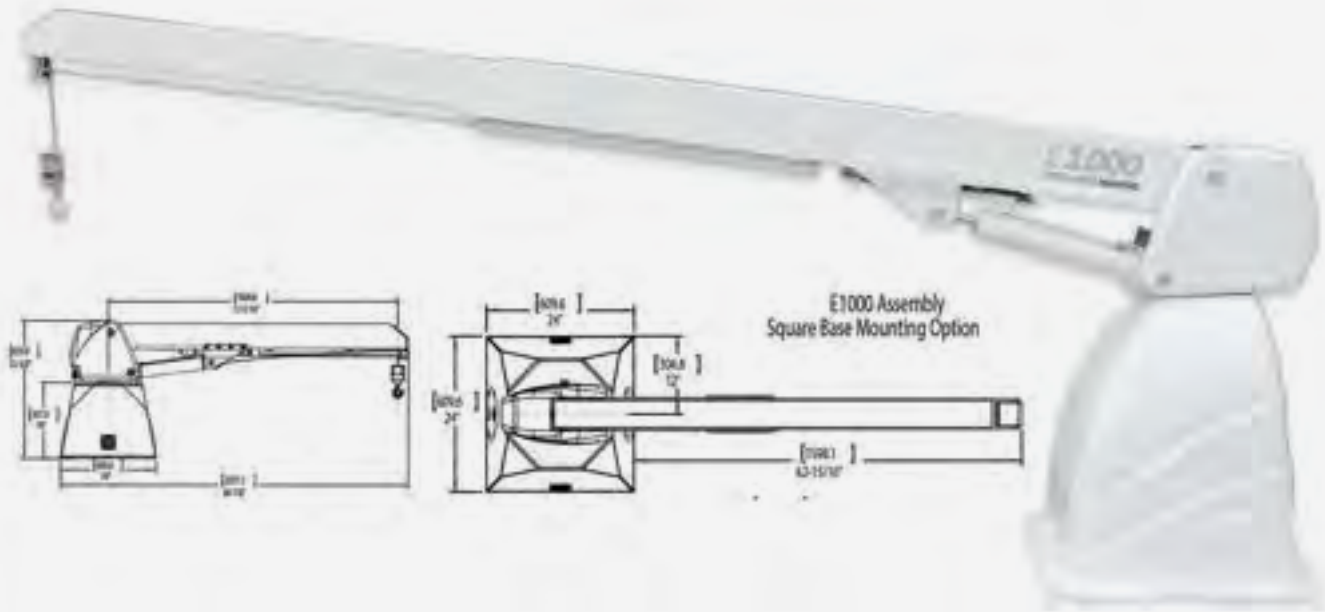
43676 Progress Way, Chilliwack, BC CANADA V2R 0C3  
 28336 Hunter Creek Rd., Gold Beach, OR, 97444, USA  
 info@advantecglobal.com | www.advantecglobal.com  
 604.607.0091 | Toll Free: 1.800.770.0455

WE ARE PASSIONATE ABOUT DELIVERING  
 RELIABLE **SOLUTIONS**  
 SUPERIOR **QUALITY**  
 WORLD-CLASS **SUPPORT**

# E Series 1100 Crane

MODEL	MAXIMUM LIFT	EXTENDED REACH	HOIST HEIGHT	WEIGHT	RETRACTED LENGTH	IDEAL FOR VESSELS
E1100	1100 lbs 498 kg	10' 3.0 m	16' 4.88 m	348 lbs 174 kg	6' 1.83 m	Less 55' 16.8 m

CAPACITY	REACH	WEIGHT	HOIST CABLE	CABLE SAFETY FACTOR	HOIST TRAVEL	WINCH TYPE	OPTIONAL HYDRAULICS
1100 lbs 498 kg	6 - 10' 1.8 - 3 m	Dependent on Options	5/16" Amsteel	9:1	16' 4.9 m	Less 55' 16.8 m	Extension Rotation



Proudly part of the **Advantec Marine** family of brands

PROUDLY MADE IN NORTH AMERICA

ADVANTEC ADVANTAGE



**3 YEAR**  
HASSLE-FREE  
WARRANTY





43676 Progress Way, Chilliwack, BC CANADA V2R 0C3  
 28336 Hunter Creek Rd., Gold Beach, OR, 97444, USA  
 info@advantecglobal.com | www.advantecglobal.com  
 604.607.0091 | Toll Free: 1.800.770.0455

WE ARE PASSIONATE ABOUT DELIVERING  
 RELIABLE **SOLUTIONS**  
 SUPERIOR **QUALITY**  
 WORLD-CLASS **SUPPORT**

# ES Series 1100 Crane



Our lightweight and super efficient ES Series crane offers a low profile European design with four-function hydraulics.

<b>APPLICATION</b>	Recreational, Light Commercial	
<b>STANDARD FEATURES</b>	<ul style="list-style-type: none"> <li>• 350° Power Rotation</li> <li>• Smooth Quiet Operation</li> <li>• Linear Winch</li> <li>• 4 Function Hydraulics (Luffing, Boom Extension, Rotation, Winch)</li> <li>• 12/24V Hydraulic Power Unit</li> </ul>	<ul style="list-style-type: none"> <li>• Low Profile Design</li> <li>• Proof Tested to 110% Capacity</li> <li>• ALEXSEAL Yacht Coating</li> <li>• Amsteel Blue™ Synthetic Rope</li> <li>• Wireless Control</li> </ul>
<b>OPTIONAL FEATURES</b>	<ul style="list-style-type: none"> <li>• Wired Control</li> <li>• 230V AC Power Unit</li> </ul>	<ul style="list-style-type: none"> <li>• Custom Specifications Available Upon Request</li> </ul>
<b>MOUNTING OPTIONS</b>	<ul style="list-style-type: none"> <li>• Standpipe 6.625" OD Aluminum</li> <li>• 16" x 19" Aluminum Round Base</li> <li>• FRP HPU Base</li> </ul>	<ul style="list-style-type: none"> <li>• 24" x 24" Aluminum Square Base (16" and 22" High)</li> </ul>
<b>HOSES</b>	16' Standard - Available in 5', 8', 22', and Custom Length	

Proudly part of the **Advantec Marine** family of brands



 PROUDLY MADE IN NORTH AMERICA  
**ADVANTEC ADVANTAGE**



**3 YEAR**  
 HASSLE-FREE  
 WARRANTY



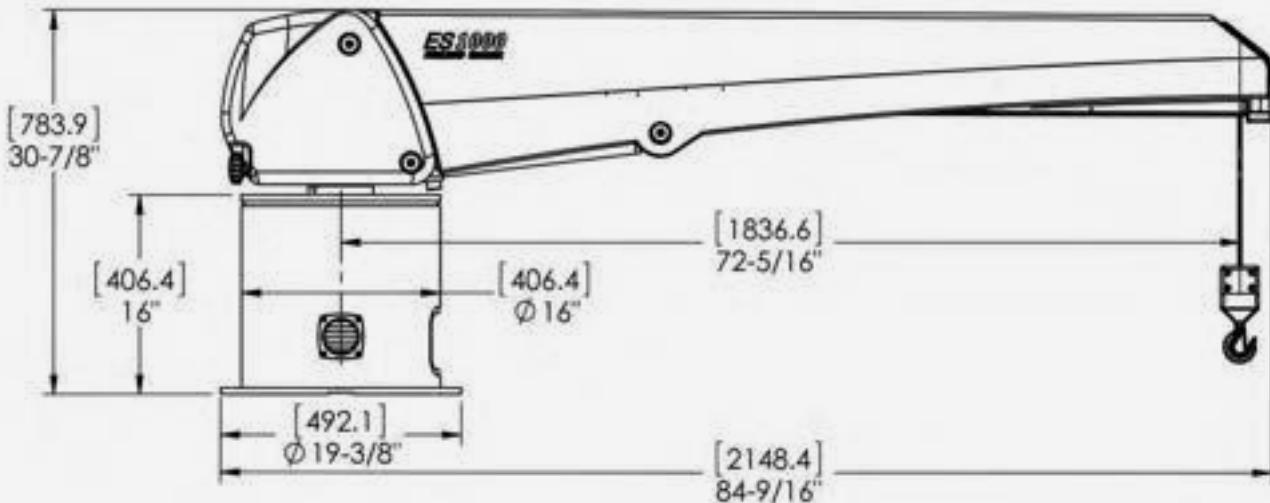
43676 Progress Way, Chilliwack, BC CANADA V2R 0C3  
 28336 Hunter Creek Rd., Gold Beach, OR, 97444, USA  
 info@advantecglobal.com | www.advantecglobal.com  
 604.607.0091 | Toll Free: 1.800.770.0455

WE ARE PASSIONATE ABOUT DELIVERING  
 RELIABLE **SOLUTIONS**  
 SUPERIOR **QUALITY**  
 WORLD-CLASS **SUPPORT**

# ES Series 1100 Crane

MODEL	MAXIMUM LIFT	EXTENDED REACH	HOIST HEIGHT	WEIGHT	RETRACTED LENGTH	IDEAL FOR VESSELS
ES1100	1100 lbs 498 kg	10' 3.0 m	16' 4.88 m	348 lbs 174 kg	6' 1.83 m	Less 55' 16.8 m

CAPACITY	REACH	WEIGHT	HOIST CABLE	CABLE SAFETY FACTOR	HOIST TRAVEL	WINCH TYPE	OPTIONAL HYDRAULICS
1100 lbs 498 kg	6 - 10' 1.8 - 3 m	384 lbs 175 kg	1/4" Amsteel	9:1	16' 4.9 m	Linear	Luffing Extension Rotation Winch



Proudly part of the **Advantec Marine** family of brands

PROUDLY MADE IN NORTH AMERICA

ADVANTEC ADVANTAGE



**3 YEAR**  
HASSLE-FREE  
WARRANTY



43676 Progress Way, Chilliwack, BC CANADA V2R 0C3  
 28336 Hunter Creek Rd., Gold Beach, OR, 97444, USA  
 info@advantecglobal.com | www.advantecglobal.com  
 604.607.0091 | Toll Free: 1.800.770.0455

WE ARE PASSIONATE ABOUT DELIVERING  
 RELIABLE **SOLUTIONS**  
 SUPERIOR **QUALITY**  
 WORLD-CLASS **SUPPORT**

# ES Series 1500 Crane



Our lightweight and super efficient ES Series crane offers a low profile European design with four-function hydraulics.

<b>APPLICATION</b>	Recreational, Light Commercial	
<b>STANDARD FEATURES</b>	<ul style="list-style-type: none"> <li>• Low Profile Design</li> <li>• 4 Function Hydraulics (Luffing, Boom Extension, Rotation, Winch)</li> </ul>	<ul style="list-style-type: none"> <li>• Wireless Control</li> <li>• 24V DC Power Unit</li> <li>• Smooth Quiet Operation</li> </ul>
<b>OPTIONAL FEATURES</b>	<ul style="list-style-type: none"> <li>• Wired Control</li> <li>• Color Match Finish</li> </ul>	<ul style="list-style-type: none"> <li>• Custom Specifications Available Upon Request</li> </ul>
<b>MOUNTING OPTIONS</b>	<ul style="list-style-type: none"> <li>• Standpipe 9' Standard</li> <li>• Round Base</li> </ul>	<ul style="list-style-type: none"> <li>• 24" x 24" Square Base</li> <li>• 24" x 30" Aluminum HPU Base</li> </ul>
<b>HOSES</b>	16' Standard - Available in 5', 8', 22', and Custom Length	

Proudly part of the **AdvanTec Marine** family of brands



**ADVANTEC ADVANTAGE**



**3 YEAR**  
 HASSLE-FREE  
 WARRANTY



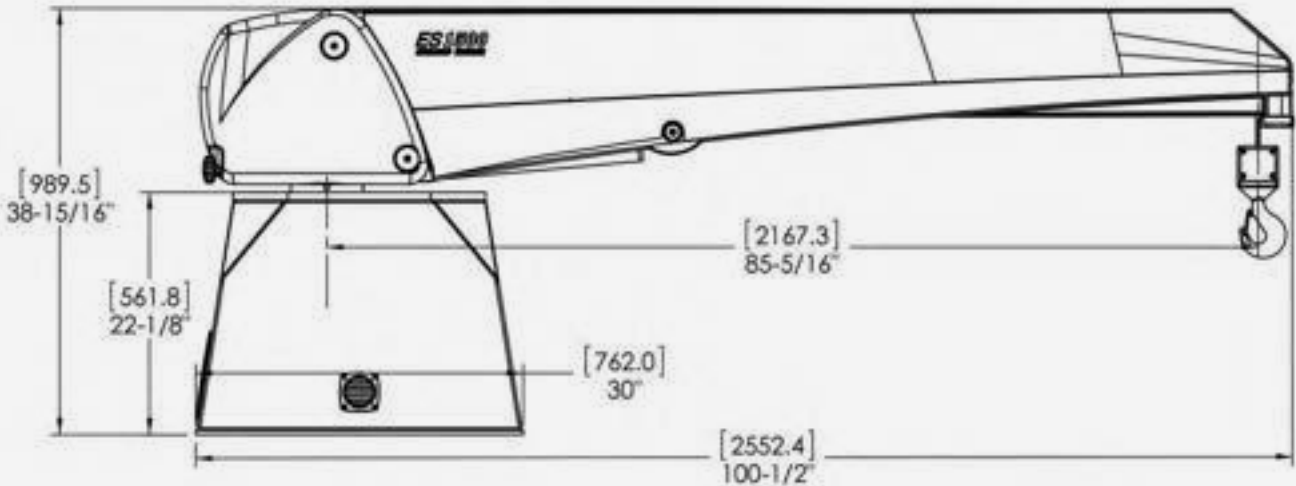
43676 Progress Way, Chilliwack, BC CANADA V2R 0C3  
 28336 Hunter Creek Rd., Gold Beach, OR, 97444, USA  
 info@advantecglobal.com | www.advantecglobal.com  
 604.607.0091 | Toll Free: 1.800.770.0455

WE ARE PASSIONATE ABOUT DELIVERING  
 RELIABLE **SOLUTIONS**  
 SUPERIOR **QUALITY**  
 WORLD-CLASS **SUPPORT**

# ES Series 1500 Crane

MODEL	MAXIMUM LIFT	EXTENDED REACH	HOIST HEIGHT	WEIGHT	RETRACTED LENGTH	IDEAL FOR VESSELS
ES1500	1500 lbs 680 kg	12' 3.7 m	20' 6.0 m	202 lbs 273 kg	7' 2.13 m	55' to 70' 16.8 m to 21.3 m

CAPACITY	REACH	WEIGHT	HOIST CABLE	CABLE SAFETY FACTOR	HOIST TRAVEL	WINCH TYPE	OPTIONAL HYDRAULICS
1500 lbs 682 kg	7 - 12' 2.1 - 3.7 m	602 lbs 273 kg	5/16" Amsteel	9:1	20' 6 m	Linear	Luffing Extension Rotation Winch



Proudly part of the **Advantec Marine** family of brands

PROUDLY MADE IN NORTH AMERICA

ADVANTEC ADVANTAGE



**3 YEAR**  
HASSLE-FREE  
WARRANTY



43676 Progress Way, Chilliwack, BC CANADA V2R 0C3  
 28336 Hunter Creek Rd., Gold Beach, OR, 97444, USA  
 info@advantecglobal.com | www.advantecglobal.com  
 604.607.0091 | Toll Free: 1.800.770.0455

WE ARE PASSIONATE ABOUT DELIVERING  
 RELIABLE **SOLUTIONS**  
 SUPERIOR **QUALITY**  
 WORLD-CLASS **SUPPORT**

# ES Series 1750 Crane



Our lightweight and super efficient ES Series crane offers a low profile European design with four-function hydraulics.

<b>APPLICATION</b>	Recreational, Light Commercial	
<b>STANDARD FEATURES</b>	<ul style="list-style-type: none"> <li>• Low Profile Design</li> <li>• Smooth Quiet Operation</li> <li>• 4 Function Hydraulics (Luffing, Boom Extension, Rotation, Winch)</li> <li>• 24V DC Power Unit</li> </ul>	<ul style="list-style-type: none"> <li>• Wireless Control</li> <li>• Proof Tested to 110% Capacity</li> <li>• ALEXSEAL Yacht Coating</li> <li>• Amsteel Blue™ Synthetic Rope</li> </ul>
<b>OPTIONAL FEATURES</b>	<ul style="list-style-type: none"> <li>• Wired Control</li> <li>• Color Match Finish</li> </ul>	<ul style="list-style-type: none"> <li>• Custom Specifications Available Upon Request</li> </ul>
<b>MOUNTING OPTIONS</b>	<ul style="list-style-type: none"> <li>• Standpipe 9' Standard</li> <li>• 16" x 19" Round Base</li> </ul>	<ul style="list-style-type: none"> <li>• 24" x 24" Square Base</li> <li>• 24" x 30" Aluminum HPU Base</li> </ul>
<b>HOSES</b>	16' Standard - Available in 5', 8', 22', and Custom Length	

Proudly part of the **Advantec Marine** family of brands



 PROUDLY MADE IN NORTH AMERICA  
**ADVANTEC ADVANTAGE**



**3 YEAR**  
 HASSLE-FREE  
 WARRANTY



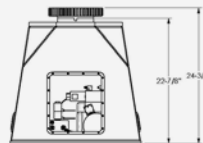
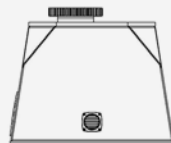
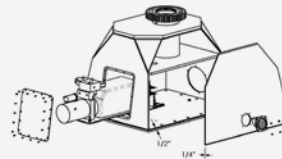
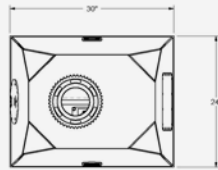
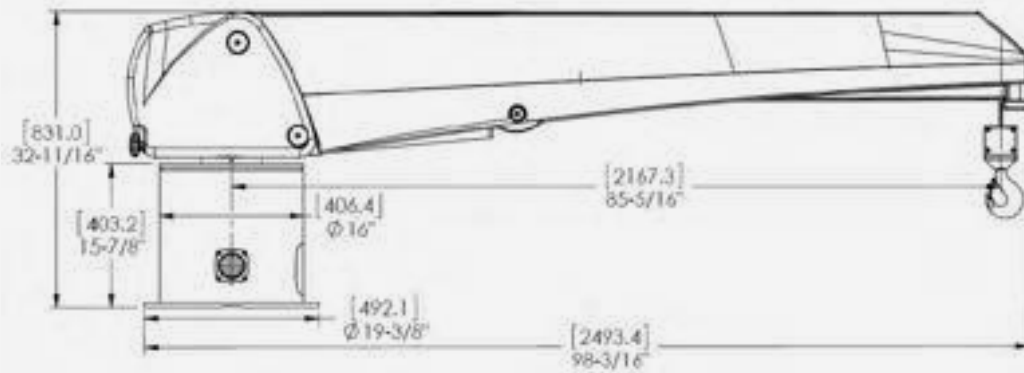
43676 Progress Way, Chilliwack, BC CANADA V2R 0C3  
 28336 Hunter Creek Rd., Gold Beach, OR, 97444, USA  
 info@advantecglobal.com | www.advantecglobal.com  
 604.607.0091 | Toll Free: 1.800.770.0455

WE ARE PASSIONATE ABOUT DELIVERING  
 RELIABLE **SOLUTIONS**  
 SUPERIOR **QUALITY**  
 WORLD-CLASS **SUPPORT**

# ES Series 1750 Crane

MODEL	MAXIMUM LIFT	EXTENDED REACH	HOIST HEIGHT	WEIGHT	RETRACTED LENGTH	IDEAL FOR VESSELS
ES1750	1750 lbs 794 kg	12' 3.7 m	20' 6.0 m	650 lbs 295 kg	7' 2.13 m	70' Plus 21.3 m Plus

CAPACITY	REACH	WEIGHT	HOIST CABLE	CABLE SAFETY FACTOR	HOIST TRAVEL	WINCH TYPE	OPTIONAL HYDRAULICS
1750 lbs 794 kg	12' 3.6 m	630 lbs 285 kg	5/16" Amsteel	9:1	20' 6 m	Linear	Luffing Extension Rotation Winch



Proudly part of the **Advantec Marine** family of brands

PROUDLY MADE IN NORTH AMERICA

ADVANTEC ADVANTAGE



**3 YEAR**  
HASSLE-FREE  
WARRANTY



43676 Progress Way, Chilliwack, BC V2R 0C3  
 43676 Progress Way, Chilliwack, BC CANADA V2R 0C3  
 28336 Hunter Creek Road, Chilliwack, BC V2R 0C3  
 info@advantecglobal.com | www.advantecglobal.com  
 info@advantecglobal.com | www.advantecglobal.com

Toll Free: 1-800-776-0455  
 RELIABLE SOLUTIONS  
 SUPERIOR QUALITY  
 SUPPORT

## ES 2200

### PRODUCT DESCRIPTION:

- Power Rotation: Infinite rotation only
- Quiet Operation
- Boom Reach: Telescoping Powered Extension  
 – 8' (2.43m) to 14' (4.26m)
- Functions: 4 Powered functions (Luffing, Winch, Extension & Rotation)
- Finish: Alexseal Yacht Coating
- 1/2" Amsteel Blue™ Synthetic Rope
- Proof tested to 125% Capacity
- Proportional Wireless Controls
- Power Requirements: 24V DC, 230 V AC, 110 V AC  
 (Single Phase 50Hz or 60Hz)



CAPACITY	REACH	WEIGHT	HOIST CABLE
<b>2200 LBS 1000 KG</b>	<b>8-14 FT</b>	<b>1150LB WITH BASE</b>	<b>1/2" AMSTEEL BLUE™</b>
CABLE SAFETY FACTOR	HOIST TRAVEL	WINCH TYPE	IDEAL FOR VESSELS
<b>8:1</b>	<b>22 FT</b>	<b>LINEAR</b>	<b>70' + 20M</b>

### OPTIONAL FEATURES

- Controller: Detachable Wired Pendant
- Mounting Configurations:
  - Standpipe
  - Round Base
  - Square Base



Proudly part of the **Advantec Marine** family of brands



PROUDLY MADE IN NORTH AMERICA  
**ADVANTEC ADVANTAGE**



**3 YEAR  
HASSLE-FREE  
WARRANTY**



43676 Progress Way, Chilliwack, BC CANADA V2R 0C3  
 28336 Hunter Creek Rd., Gold Beach, OR, 97444, USA  
 info@advantecglobal.com | www.advantecglobal.com  
 604.607.0091 | Toll Free: 1.800.770.0455

WE ARE PASSIONATE ABOUT DELIVERING  
 RELIABLE **SOLUTIONS**  
 SUPERIOR **QUALITY**  
 WORLD-CLASS **SUPPORT**

## ES 2500

### PRODUCT DESCRIPTION:

- Power Rotation: Infinite rotation only
- Quiet Operation
- Boom Reach: Telescoping Powered Extension  
 – 8' (2.43m) to 14' (4.26m)
- Functions: 4 Powered functions (Luffing, Winch, Extension & Rotation)
- Finish: Alexseal Yacht Coating
- 1/2" Amsteel Blue™ Synthetic Rope
- Proof tested to 125% Capacity
- Proportional Wireless Controls
- Power Requirements: 24V DC, 230 V AC, 110 V AC  
 (Single Phase 50Hz or 60Hz)



CAPACITY	REACH	WEIGHT	HOIST CABLE
<b>2500 LBS</b> 1131 KG	<b>8-14 FT</b>	<b>1150LB</b> <b>WITH BASE</b>	<b>1/2"</b> <b>AMSTEEL BLUE™</b>
CABLE SAFETY FACTOR	HOIST TRAVEL	WINCH TYPE	IDEAL FOR VESSELS
<b>8:1</b>	<b>22 FT</b>	<b>LINEAR</b>	<b>70' +</b> <b>20M</b>

## OPTIONAL FEATURES

- Controller: Detachable Wired Pendant
- Mounting Configurations:
  - Standpipe
  - Round Base
  - Square Base



Proudly part of the **Advantec Marine** family of brands



ADVANTEC ADVANTAGE



**3 YEAR**  
HASSLE-FREE  
WARRANTY





43676 Progress Way, Chilliwack, BC CANADA V2R 0C3  
 28336 Hunter Creek Rd., Gold Beach, OR, 97444, USA  
 info@advantecglobal.com | www.advantecglobal.com  
 604.607.0091 | Toll Free: 1.800.770.0455

WE ARE PASSIONATE ABOUT DELIVERING  
 RELIABLE **SOLUTIONS**  
 SUPERIOR **QUALITY**  
 WORLD-CLASS **SUPPORT**

# CT Series 2000/2500



Our CT Series cranes are built for heavy duty yacht functionality. They have four function hydraulic cranes with live telescoping boom extension and proportional controls.

<b>APPLICATION</b>	Heavy Duty Yacht, Light Commercial	
<b>STANDARD FEATURES</b>	<ul style="list-style-type: none"> <li>• Infinite 360° Power Rotation</li> <li>• Low Profile Design</li> <li>• Smooth Quiet Operation</li> <li>• Power Extending 6061 Aluminum Boom with Internal Linear Winch</li> </ul>	<ul style="list-style-type: none"> <li>• ALEXSEAL Yacht Coating</li> <li>• Amsteel Blue™ Synthetic Rope</li> <li>• Proof Tested to 125% Capacity</li> <li>• Proportional Wireless Controls</li> </ul>
<b>OPTIONAL FEATURES</b>	<ul style="list-style-type: none"> <li>• Wired Control</li> <li>• 24V HPU, 230V Power Units Available</li> </ul>	<ul style="list-style-type: none"> <li>• Custom Reaches Available</li> </ul>
<b>MOUNTING OPTIONS</b>	<ul style="list-style-type: none"> <li>• Standpipe</li> <li>• Round Base</li> </ul>	<ul style="list-style-type: none"> <li>• Square Base</li> </ul>

Proudly part of the **Advantec Marine** family of brands



**ADVANTEC ADVANTAGE**



**3 YEAR**  
 HASSLE-FREE  
 WARRANTY



43676 Progress Way, Chilliwack, BC CANADA V2R 0C3  
 28336 Hunter Creek Rd., Gold Beach, OR, 97444, USA  
 info@advantecglobal.com | www.advantecglobal.com  
 604.607.0091 | Toll Free: 1.800.770.0455

WE ARE PASSIONATE ABOUT DELIVERING  
 RELIABLE **SOLUTIONS**  
 SUPERIOR **QUALITY**  
 WORLD-CLASS **SUPPORT**

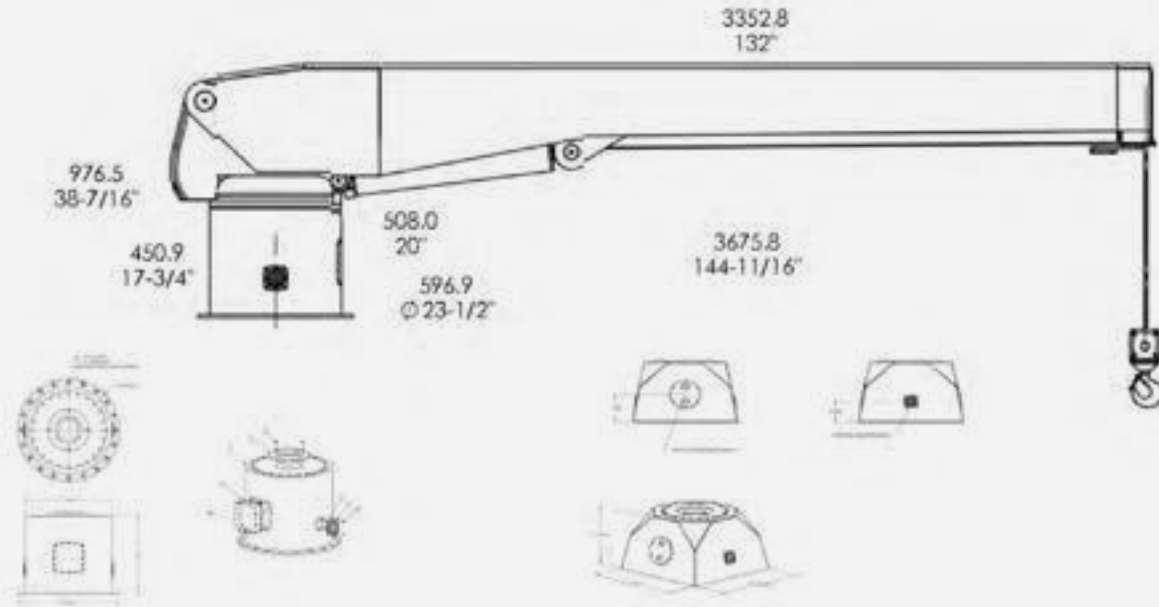
# CT Series 2000/2500

## CT 2000

CAPACITY	REACH	WEIGHT	HOIST CABLE	CABLE SAFETY FACTOR	HOIST TRAVEL	WINCH TYPE	IDEAL FOR VESSELS
2000 lbs 909 kg	12 - 18' 3.7 - 5.5 m or 13 - 20'	1150 lbs 522 kg	3/8" Amsteel	10:1	24' 732 cm	Linear	70' Plus 21 m

## CT 2500

CAPACITY	REACH	WEIGHT	HOIST CABLE	CABLE SAFETY FACTOR	HOIST TRAVEL	WINCH TYPE	IDEAL FOR VESSELS
2500 lbs 1136 kg	12 - 18' 3.7 - 5.5 m 13 - 20'	1150 lbs 522 kg	1/2" Amsteel	13:1	24' 732 cm	Linear	70' Plus 21 m



Proudly part of the **Advantec Marine** family of brands

PROUDLY MADE IN  
NORTH AMERICA

ADVANTEC ADVANTAGE



**3 YEAR**  
HASSLE-FREE  
WARRANTY



43676 Progress Way, Chilliwack, BC CANADA V2R 0C3  
 28336 Hunter Creek Rd., Gold Beach, OR, 97444, USA  
 info@advantecglobal.com | www.advantecglobal.com  
 604.607.0091 | Toll Free: 1.800.770.0455

WE ARE PASSIONATE ABOUT DELIVERING  
 RELIABLE **SOLUTIONS**  
 SUPERIOR **QUALITY**  
 WORLD-CLASS **SUPPORT**

# CT Series 3000/3500



Our CT Series cranes are built for heavy duty yacht functionality. They have four function hydraulic cranes with live telescoping boom extension and proportional controls.

<b>APPLICATION</b>	Recreational, Light Commercial	
<b>STANDARD FEATURES</b>	<ul style="list-style-type: none"> <li>• Infinite 360° Power Rotation</li> <li>• Low Profile Design</li> <li>• Smooth Quiet Operation</li> <li>• Power Extending 6061 Aluminum Boom with Internal Linear Winch</li> </ul>	<ul style="list-style-type: none"> <li>• ALEXSEAL Yacht Coating</li> <li>• Amsteel Blue™ Synthetic Rope</li> <li>• Proof Tested to 125% Capacity</li> <li>• Proportional Wireless Controls</li> </ul>
<b>OPTIONAL FEATURES</b>	<ul style="list-style-type: none"> <li>• Wired Control</li> <li>• 24V, 230V Power Units Available</li> <li>• Standpipe or Pedestal Base Mounting</li> </ul>	<ul style="list-style-type: none"> <li>• Custom Reaches Available</li> <li>• SOLAS/MED Certifications Available (3500 Only)</li> </ul>
<b>MOUNTING OPTIONS</b>	<ul style="list-style-type: none"> <li>• Standpipe</li> <li>• Round Base</li> </ul>	<ul style="list-style-type: none"> <li>• Square Base</li> </ul>

Proudly part of the **Advantec Marine** family of brands



 PROUDLY MADE IN NORTH AMERICA  
**ADVANTEC ADVANTAGE**



**3 YEAR**  
 HASSLE-FREE  
 WARRANTY



43676 Progress Way, Chilliwack, BC CANADA V2R 0C3  
 28336 Hunter Creek Rd., Gold Beach, OR, 97444, USA  
 info@advantecglobal.com | www.advantecglobal.com  
 604.607.0091 | Toll Free: 1.800.770.0455

WE ARE PASSIONATE ABOUT DELIVERING  
 RELIABLE **SOLUTIONS**  
 SUPERIOR **QUALITY**  
 WORLD-CLASS **SUPPORT**

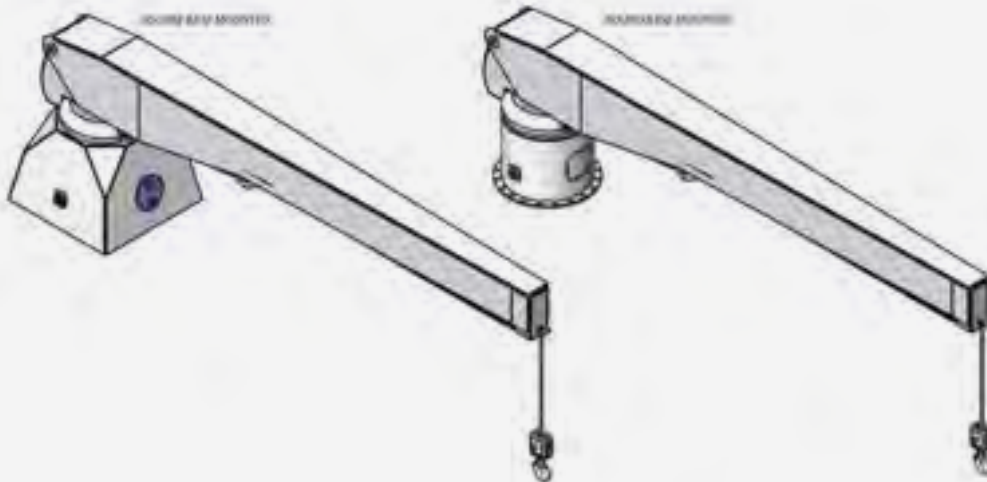
# CT Series 3000/3500

## CT 3000

CAPACITY	REACH	WEIGHT	HOIST CABLE	CABLE SAFETY FACTOR	HOIST TRAVEL	WINCH TYPE	IDEAL FOR VESSELS
3000 lbs 1364 kg	11 - 16' 3.4 - 4.9 m	1150 lbs 522 kg	1/2" Amsteel	10.8:1	24' 7.3 m	Linear	70' Plus 21 m

## CT 3500

CAPACITY	REACH	WEIGHT	HOIST CABLE	CABLE SAFETY FACTOR	HOIST TRAVEL	WINCH TYPE	IDEAL FOR VESSELS
3500 lbs 1587 kg	13 - 20' 4 - 6.1 m	1700 lbs 771 kg	1/2" Amsteel	9.3:1	24' 7.3 m	Linear	70' Plus 21 m



Proudly part of the **Advantec Marine** family of brands

PROUDLY MADE IN NORTH AMERICA

ADVANTEC ADVANTAGE



**3 YEAR**  
HASSLE-FREE  
WARRANTY



43676 Progress Way, Chilliwack, BC CANADA V2R 0C3  
 28336 Hunter Creek Rd., Gold Beach, OR, 97444, USA  
 info@advantecglobal.com | www.advantecglobal.com  
 604.607.0091 | Toll Free: 1.800.770.0455

WE ARE PASSIONATE ABOUT DELIVERING  
 RELIABLE **SOLUTIONS**  
 SUPERIOR **QUALITY**  
 WORLD-CLASS **SUPPORT**

# CT Series 4000/4500/5000



Our CT Series cranes are built for heavy duty yacht functionality. They have four function hydraulic cranes with live telescoping boom extension and proportional controls.

<b>APPLICATION</b>	Recreational, Light Commercial	
<b>STANDARD FEATURES</b>	<ul style="list-style-type: none"> <li>• Infinite 360° Power Rotation</li> <li>• Low Profile Design</li> <li>• Smooth Quiet Operation</li> <li>• Power Extending 6061 Aluminum Boom with Internal Linear Winch</li> </ul>	<ul style="list-style-type: none"> <li>• ALEXSEAL Yacht Coating</li> <li>• Amsteel Blue™ Synthetic Rope</li> <li>• Proof Tested to 125% Capacity</li> <li>• Proportional Wireless Controls</li> </ul>
<b>OPTIONAL FEATURES</b>	<ul style="list-style-type: none"> <li>• Wired Control</li> <li>• 230V 60Hz AC, 208-440V 3PH 50/60 Hz AC and 24V DC Hydraulic Power Units Available</li> </ul>	<ul style="list-style-type: none"> <li>• Standpipe or Pedestal Base Mounting</li> <li>• Custom Specifications Available Upon Request</li> </ul>

Proudly part of the **Advantec Marine** family of brands



 PROUDLY MADE IN NORTH AMERICA  
**ADVANTEC ADVANTAGE**



**3 YEAR**  
 HASSLE-FREE  
 WARRANTY



43676 Progress Way, Chilliwack, BC CANADA V2R 0C3  
 28336 Hunter Creek Rd., Gold Beach, OR, 97444, USA  
 info@advantecglobal.com | www.advantecglobal.com  
 604.607.0091 | Toll Free: 1.800.770.0455

WE ARE PASSIONATE ABOUT DELIVERING  
 RELIABLE **SOLUTIONS**  
 SUPERIOR **QUALITY**  
 WORLD-CLASS **SUPPORT**

# CT Series 4000/4500/5000

## CT 4000

CAPACITY	REACH	WEIGHT	HOIST CABLE	CABLE SAFETY FACTOR	HOIST TRAVEL	WINCH TYPE	IDEAL FOR VESSELS
4000 lbs 1818 kg	13 - 20' 4 - 6.1 m	2075 lbs 943 kg	5/8" Amsteel	13:1	30' 7.6 m	Linear	70' Plus 21 m

## CT 4500

CAPACITY	REACH	WEIGHT	HOIST CABLE	CABLE SAFETY FACTOR	HOIST TRAVEL	WINCH TYPE	IDEAL FOR VESSELS
4500 lbs 2045 kg	13 - 20' 4 - 6.1 m	2100 lbs 953 kg	5/8" Amsteel	12:1	30' 7.6 m	Linear	70' Plus 21 m

## CT 5000

CAPACITY	REACH	WEIGHT	HOIST CABLE	CABLE SAFETY FACTOR	HOIST TRAVEL	WINCH TYPE	IDEAL FOR VESSELS
5000 lbs 2273 kg	13 - 20' 4 - 6.1 m	2400 lbs 1089 kg	5/8" Amsteel	10.5:1	30' 7.6 m	Linear	70' Plus 21 m

Proudly part of the Advantec Marine family of brands



ADVANTEC ADVANTAGE



**3 YEAR**  
HASSLE-FREE  
WARRANTY



43676 Progress Way, Chilliwack, BC CANADA V2R 0C3  
 28336 Hunter Creek Rd., Gold Beach, OR, 97444, USA  
 info@advantecglobal.com | www.advantecglobal.com  
 604.607.0091 | Toll Free: 1.800.770.0455

WE ARE PASSIONATE ABOUT DELIVERING  
 RELIABLE **SOLUTIONS**  
 SUPERIOR **QUALITY**  
 WORLD-CLASS **SUPPORT**

# CT Series 6000



Our CT Series cranes are built for heavy duty yacht functionality. They have four function hydraulic cranes with live telescoping boom extension and proportional controls.

<b>APPLICATION</b>	Recreational, Light Commercial	
<b>STANDARD FEATURES</b>	<ul style="list-style-type: none"> <li>• Infinite 360° Power Rotation</li> <li>• Low Profile Design</li> <li>• Smooth Quiet Operation</li> <li>• Power Extending 6061 Aluminum Boom with Internal Linear Winch</li> </ul>	<ul style="list-style-type: none"> <li>• ALEXSEAL Yacht Coating</li> <li>• Amsteel Blue™ Synthetic Rope</li> <li>• Proof Tested to 125% Capacity</li> <li>• 250,000 ft-lb Max Capacity</li> <li>• Proportional Wireless Controls</li> </ul>
<b>OPTIONAL FEATURES</b>	<ul style="list-style-type: none"> <li>• Wired Control</li> <li>• 230V 60Hz AC, 208-440V 3PH 50/60 Hz AC and 24V DC Hydraulic Power Units Available</li> </ul>	<ul style="list-style-type: none"> <li>• Standpipe or Pedestal Base Mounting</li> <li>• Custom Specifications Available Upon Request</li> </ul>

Proudly part of the **Advantec Marine** family of brands

PROUDLY MADE IN NORTH AMERICA

**ADVANTEC ADVANTAGE**



**3 YEAR**  
 HASSLE-FREE  
 WARRANTY



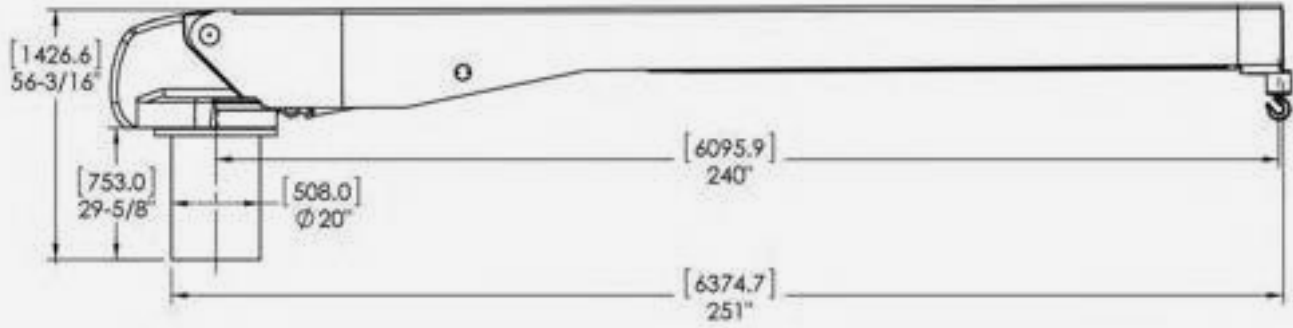
43676 Progress Way, Chilliwack, BC CANADA V2R 0C3  
 28336 Hunter Creek Rd., Gold Beach, OR, 97444, USA  
 info@advantecglobal.com | www.advantecglobal.com  
 604.607.0091 | Toll Free: 1.800.770.0455

WE ARE PASSIONATE ABOUT DELIVERING  
 RELIABLE **SOLUTIONS**  
 SUPERIOR **QUALITY**  
 WORLD-CLASS **SUPPORT**

# CT Series 6000

## CT 6000

CAPACITY	REACH	WEIGHT	HOIST CABLE	CABLE SAFETY FACTOR	HOIST TRAVEL	WINCH TYPE	IDEAL FOR VESSELS
6000 lbs 2722 kg	12.5 - 20' 3.8 - 6.1 m	2600 lbs 1179 kg	5/8" Amsteel	9:1	30' 9.1 m	Linear	70' Plus 21 m



Proudly part of the **Advantec Marine** family of brands

PROUDLY MADE IN NORTH AMERICA

ADVANTEC ADVANTAGE



**3 YEAR**  
HASSLE-FREE  
WARRANTY



# WORLD-WIDE SALES & SUPPORT

## AdvanTec Marine

Chilliwack BC, Canada | [sales@advantecglobal.com](mailto:sales@advantecglobal.com) | +1-800-770-0455 | [www.advantecglobal.com](http://www.advantecglobal.com)

### **Morton Marine Services**

San Diego CA USA  
[MortonMarineServices.com](http://MortonMarineServices.com)

### **Channel Coast Marine**

Oxnard CA USA  
[ChannelCoastMarine.com](http://ChannelCoastMarine.com)

### **Basin Marine Inc.**

Newport Beach CA USA  
[Basinmarine.com](http://Basinmarine.com)

### **Deltaville Boatyard**

Deltaville, VA USA  
[Deltavilleboatyard.com](http://Deltavilleboatyard.com)

### **NW Explorations**

Bellingham WA USA  
[NWExplorations.com](http://NWExplorations.com)

### **Pacific Yacht Management**

Seattle WA USA  
[pacificyachtmanagement.com](http://pacificyachtmanagement.com)

### **S3 Maritime**

Seattle WA USA  
[s3maritime.com](http://s3maritime.com)

### **Nordlund Boat Co.**

Tacoma WA 98422  
[Nordlundboat.com](http://Nordlundboat.com)

### **Bullhead Marine**

Fort Pierce, FL USA  
[bullheadmarineinc.net](http://bullheadmarineinc.net)

### **Escardo Marine**

Saint Petersburg, FL USA  
[escardomarine.com](http://escardomarine.com)

### **Magna Marine**

Dania Beach FL USA  
[magnamarineservices.com](http://magnamarineservices.com)

### **Navalex International, Inc.**

Miami FL USA  
[navalex.com](http://navalex.com)

### **All Points Boats**

Fort Lauderdale FL USA  
[apb1.com](http://apb1.com)

### **Sterling Marine**

Fort Lauderdale FL USA  
[sterlingmarine.com](http://sterlingmarine.com)

### **Philbrooks Boatyard Ltd.**

Sydney BC Canada  
[philbrooks.com](http://philbrooks.com)

### **AW Yacht Services**

[awyachtservice@shaw.ca](mailto:awyachtservice@shaw.ca)

### **Tri-Shore Yacht Services Ltd.**

Port Moody BC Canada  
[trishoreyachts.com](http://trishoreyachts.com)

### **West Coast Yacht Systems**

Sidney, BC Canada  
[westcoastyachtsystems.com](http://westcoastyachtsystems.com)

### **Lankhorst / Taselaar**

Lelystad, Netherlands  
[lankhorst-taselaar.nl](http://lankhorst-taselaar.nl)

### **Sailtec GmbH**

Hasselbinnen, Schenefeld  
Germany  
[sailtec.de](http://sailtec.de)

### **Geetech**

Le Panorama, Grimaldi, Monaco  
[geetech.mc](http://geetech.mc)

### **Halyard (M&I Limited)**

Ferndown, Wimborne UK  
[halyard.eu.com](http://halyard.eu.com)

### **Motocraft S.A**

Alimos, Greece  
[motocraft.gr](http://motocraft.gr)

### **BTS MARIN**

Tuzla, Istanbul Turkey  
[btsmarin.com.tr](http://btsmarin.com.tr)

### **Marine Cranes Australia Pty Ltd.**

[marinecranesaustralia.com.au](http://marinecranesaustralia.com.au)

### **Lusty & Blundell Ltd.**

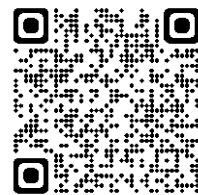
Auckland New Zealand  
[lusty-blundell.co.nz](http://lusty-blundell.co.nz)

### **So-Pac Marine**

North Shore New Zealand  
[sopac.co.nz](http://sopac.co.nz)

### **Asia Marine**

Kaohsiung City Taiwan  
[asiamarine.com.tw](http://asiamarine.com.tw)



SCAN FOR MORE  
SALES & SERVICES  
INFORMATION

# How Can We Help You?

For more details about our cranes and our Distributor Network visit:  
[www.SteelheadMarine.net](http://www.SteelheadMarine.net)

To request a quote or to talk to a product specialist please call:  
Tel 604-607-0091 | Toll Free: (North America) 1-800-770-0455



## SCAN FOR MORE STEELHEAD MARINE PRODUCTS



**ADVANTEC ADVANTAGE**



**3 YEAR  
HASSLE-FREE  
WARRANTY**

WE ARE PASSIONATE ABOUT DELIVERING

RELIABLE **SOLUTIONS**  
SUPERIOR **QUALITY**  
WORLD-CLASS **SUPPORT**

Proudly part of the **AdvanTec** family of brands



AdvanTec Manufacturing Canada  
43676 Progress Way, Chilliwack,  
BC, V2R 0C3, Canada

Phone: 1.800.770.0455  
Email: [info@advantecglobal.com](mailto:info@advantecglobal.com)  
[www.advantecglobal.com](http://www.advantecglobal.com)

AdvanTec Manufacturing USA  
28336 Hunter Creek Rd., Gold  
Beach, OR, 97444, USA