

As people worldwide became aware of environmental problems, decrease of burden on the environment has been desired in recent years.

In HPLC analysis, reduction in usage of organic solvent for mobile phase, such as acetonitrile and methanol, has been

promoted. The typical approach is to use columns with small inner diameters with low flow rate.

In this note, a convenient apparatus for recycling mobile phase in isocratic elution is described.

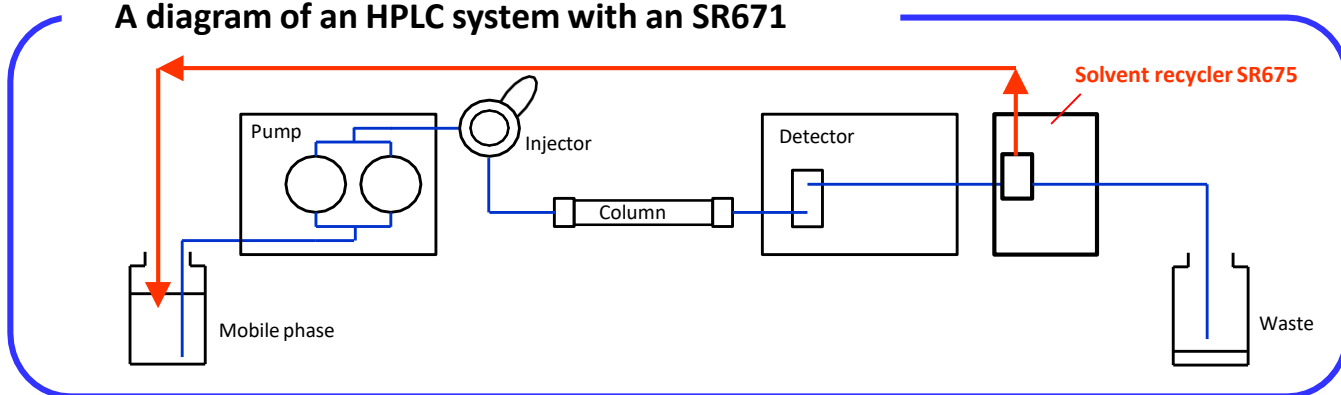
(T.Tamura)

## Solvent Recycler, SR671

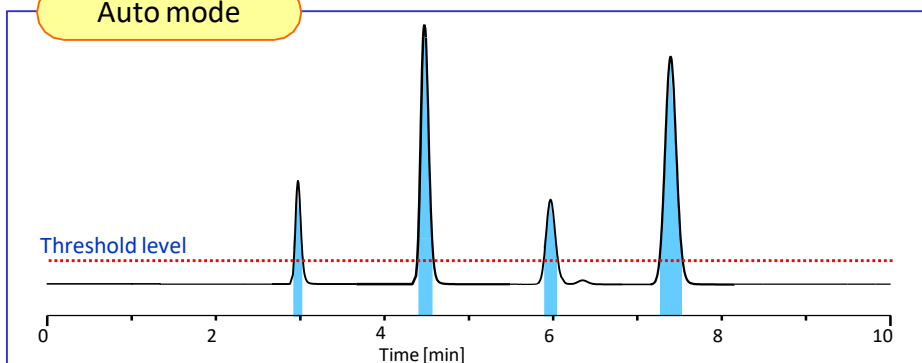
This apparatus should be installed downstream of detectors in HPLC systems and enables us to reuse the mobile phase using a solenoid valve. The eluent from the detector is sent back to the bottle of mobile phase while

no peak is detected. When peaks are detected, the valve is activated, and the eluent of the peak fraction flows to waste line. As a result, actual solvent consumption can be reduced.

### A diagram of an HPLC system with an SR671

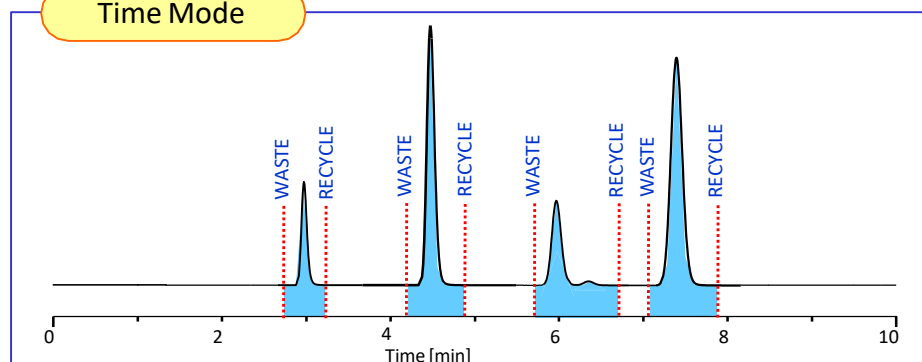


#### Auto mode



In auto mode, peaks were automatically detected by setting a threshold level. Only when the signal from the detector exceeds the threshold (Blue area (■)), the eluent is sent to waste line.

#### Time Mode



In time mode, the valve is operated according to a preset time program. The valve is switched repeatedly, and the eluent in arbitrary times (■) is sent to waste.

\* Manual mode, in which the valve is controlled by manual keyboard operation, and remote mode, in which the valve was switched by an external contact signal, are also available.

## Specifications

Modes	AUTO, TIME, REMOTE, MANUAL
Input	Signal from detector (10 mV or 1 V), remote start signal
Valve	3-way solenoid valve (wetted material: PTFE)
Dimensions / weight	120 (W) x 260 (D) x 140 (H) mm (except for a solenoid valve) / 2.5 kg
Power requirements	AC 100 - 240 V 50 / 60 Hz
Cat. No.	6001-67100



GL Sciences disclaims any and all responsibility for any injury or damage which may be caused by this data directly or indirectly. We reserve the right to amend this information or data at any time and without any prior announcement.

### **GL Sciences, Inc. Japan**

22-1 Nishishinjuku 6-Chome  
Shinjuku-ku, Tokyo,  
163-1130, Japan  
Phone: +81-3-5323-6620  
Fax: +81-3-5323-6621  
Email: [world@gls.co.jp](mailto:world@gls.co.jp)  
Web: [www.glsciences.com](http://www.glsciences.com)

### **GL Sciences B.V.**

De Sleutel 9  
5652 AS Eindhoven  
The Netherlands  
Phone: +31 (0)40 254 95 31  
Email: [info@glscienc.es.eu](mailto:info@glscienc.es.eu)  
Web: [www.glsciences.eu](http://www.glsciences.eu)

### **GL Sciences (ShangHai) Ltd.**

Tower B, Room 2003,  
Far East International Plaza,  
NO,317 Xianxia Road,  
Changning District.  
Shanghai, China P.C. 200032  
Phone: +86 (0)21-6278-2272  
Email: [contact@glscienc.es.com.cn](mailto:contact@glscienc.es.com.cn)  
Web: [www.glsciences.com.cn](http://www.glsciences.com.cn)

### **GL Sciences, Inc. USA**

4733 Torrance Blvd. Suite 255  
Torrance, CA 90503  
Phone: 310-265-4424  
Fax: 310-265-4425  
Email: [info@glscienc.esinc.com](mailto:info@glscienc.esinc.com)  
Web: [www.glscienc.esinc.com](http://www.glscienc.esinc.com)

### **International Distributors**

Visit our Website at:

<https://www.glsciences.com/company/distributor.html>