



PRODUCT CATALOGUE

AUSTRALIA - NEW ZEALAND

2026



PENTAIRPOOL.COM.AU

PROWLER 930

ROBOTIC INGROUND POOL CLEANER

The Prowler 930W Robotic Cleaner has all the easy, drop-in-and-go intelligence of all the Prowler family. But with the 930W's WiFi connectivity, all you need is the Pentair Home app to make pool cleaning truly hands-off and effortless.



INTELLICENTER PNP

POOL/SPA AUTOMATION SYSTEM

The new IntelliCenter makes it easier and more intuitive than ever for customers to control their pool/spa with their familiar iOS® or Android® mobile devices from anywhere in the world.



INTELLIFLO 3

VARIABLE SPEED & FLOW PUMP

Innovative flow technology and a quiet operation, representing the future of efficient pool maintenance and ownership.



PURASHIELD

UV & OZONE SANITISERS

The new PuraShield® UV from Pentair harnesses the power of ultraviolet light to assist with the elimination of organic matter like bacteria and viruses that lead to the reduction in chloramines and the amount of chlorine needed to maintain clean pool water.

TABLE OF CONTENTS

PRODUCT SELECTION GUIDE 2

POOL PUMPS

IntelliFlo 3 VSF.....	4
IntelliFlo 2 VSF.....	6
EnviroMax.....	8
Max-E-Pro.....	10
SilentFlo.....	12
WhisperFlo.....	14
Pantera Eco VS.....	16
Pantera Evolution.....	18
Pantera.....	19
LeisureTime.....	20
LeisureTime Solar.....	21
Max-Boost.....	22
Spa Blower.....	23

Pool Pumps - Commercial

IntelliFlo XF / WhisperFlo XF.....	26
Max-E-Pro XF VS 5HP.....	28
5PSP Series.....	30

POOL FILTERS

Clean & ClearPlus Filter.....	34
Posi-Clear RP Filter.....	36
FreeFlo Cartridge Filter.....	38
Triton II Sand Filter.....	40
Tagelus Sand Filter.....	42
Pantera Sand Filter.....	44
LeisureTime II Sand Filter.....	46
FreeFlo Sand Filter.....	48

Pool Filters - Commercial

FullFlo XF Filter.....	52
PWT-V Commercial Filter.....	54
PWT-S Commercial Filter.....	55
PWT-SDB Commercial Filter.....	56
PWT-E & K Commercial Filter.....	58
PWT-H Commercial Filter.....	60

POOL HEATING

MasterTemp Heater.....	66
MasterTemp 125.....	68
UltraTemp HXI.....	70
UltraTemp VXi.....	72

Pool Heating - Commercial

PWT Commercial Heat Pumps.....	75
--------------------------------	----

AUTOMATIC POOL CLEANERS

Prowler 930.....	78
Prowler 920.....	79
Rebel 2.....	80
Mako Shark.....	81
HammerHead.....	81
Great White II.....	82

POOL SANITISERS

Posi-Chlor.....	84
SR Series Chlorinator.....	85
FreeFlo Chlorinator.....	86
IntelliChem.....	87
PuraShield.....	88
Rainbow.....	89

Pool Sanitisers - Commercial

BioShield.....	92
PWT-MPUV.....	94

POOL AUTOMATION

IntelliCenter.....	96
IntelliCenter PNP.....	97
IntelliCenter Accessories.....	98
IntelliChlor Plus.....	99
IntelliValve.....	100

POOL LIGHTS & WATER FEATURES

IntelliBrite Compatible LED Lights.....	102
MagicStream Laminar.....	103
ColorVision LED Light Bubbler.....	104
Deck Jet & Deck Jet II.....	105
Pool Lighting Transformers.....	106

WHITE GOODS & VALVES

MegaSkim Skimmer.....	108
U-3 Skimmers.....	111
StarGuard Main Drains.....	112
Onga Main Drain.....	113
HydroStatic Valves.....	113
Suction Covers & Return Eyeballs.....	114
Pool Return Fittings.....	115
Automatic Water Fillers.....	116
Valves & Actuators.....	117
Pool Specialty Fittings.....	118

POOL MAINTENANCE EQUIPMENT

Value Range.....	120
Rainbow Range.....	121
Miscellaneous Parts.....	122
Handover Kit.....	123

REPLACEMENT PARTS

Pool Pumps Replacement Parts

IntelliFlo Pumps.....	126
IntelliFlo XF Pump.....	128
WhisperFlo XF Pump.....	129
EVMX800 & ECO800 Pumps.....	130
EnviroMax 1100 & 1500 Pumps.....	131
Max-E-Pro Series Pump.....	132
SilentFlo Pump.....	134
WhisperFlo Pump.....	136
SuperFlo Pump.....	138
FreeFlo Pump.....	139
Pantera Eco VS & Evo 2-Speed Pump.....	140
Pantera High Performance Pump.....	141
LeisureTime Pump.....	142
LeisureTime Solar & AGP Pumps.....	143
Max-Boost Booster Pump.....	144
Spa Pool Blower.....	145
5PSP- 3,5- 4,5- 5,5HP.....	146
5PSP- 7,5- 10HP.....	147
5PSP- 7,5- 10- 12,5HP V2.....	148
Motors.....	149

Pool Filters Replacement Parts

Clean & ClearPlus Filter.....	152
Posi-Clear RP Filter.....	153
FreeFlo Cartridge Filter.....	154
Pantera, Pantera II Cartridge Filter.....	155
Triton II Sand Filter.....	156
Tagelus Sand Filter.....	157

CristalFlo Sand Filter.....	158
Pantera Sand Filter.....	159
LeisureTime II Sand Filter.....	160
LSFII-32-50 & PWT-V Sand Filters.....	161
FreeFlo Sand Filter.....	162
PWT-SDB Sand Filter.....	163
PWT-NL/E/K Sand Filters.....	164
PWT-S Sand Filter.....	165
FullFlo XF Cartridge Filter.....	166
System:2 & 3 Modular D.E. Filter.....	167
MultiPort Valves.....	168

Pool Heating Replacement Parts

MasterTemp Heater.....	174
MasterTemp 125 Spa Heater.....	177
UltraTemp HX Heat Pump.....	180
UltraTemp VX Heat Pump.....	181
UltraTemp HXi Heat Pump.....	182
UltraTemp VXi Heat Pump.....	184

Automatic Pool Cleaner Parts

Prowler 930.....	188
Prowler 920.....	189
Rebel.....	190
HammerHead.....	191
Mako Shark.....	192
SandShark.....	193
Pool Shark.....	194
'Lil Shark.....	195
Great White II.....	196
Rainbow Leaf Trap.....	197
Small Leaf Trap.....	197

Sanitiser Replacement Parts

FreeFlo Chlorinator.....	200
SR Series Chlorinator.....	201
Solenoid Dosing System.....	201
IntelliChem Chemical Controller.....	202
IntelliChlor Plus.....	203
Rainbow Chemical Feeder.....	204
Posi-Chlor.....	205
PuraShield UV & Ozone.....	206

Pool Automation Replacement Parts

IntelliCenter.....	208
IntelliCenter PNP.....	209
IntelliTouch Automation.....	210
EasyTouch Control Systems.....	211
SunTouch Control Systems.....	212

Pool Lights & Water Features Parts

GloBrite LED Lights.....	214
ColorCascade Bubbler.....	214
Deck Jet II.....	215
MagicStream Laminar.....	215
ColorVision Bubbler.....	216

White Goods & Valves Replacement Parts

MegaSkim Pool Skimmer.....	218
'Quiptron' Skimmer.....	219
SK1000 Skimmer.....	220
U-3 Skimmer.....	221
Automatic Water Fillers.....	222

PRODUCT SELECTION GUIDE

CHOOSING THE BEST PRODUCTS FOR YOUR SPECIFIC REQUIREMENTS.

STEP 1 IDENTIFY POOL SIZE

POOL SIZE (L)	FLOW 6HR TURNOVER (LPM)
20,000	55
30,000	83
40,000	111
50,000	138
60,000	166

POOL SIZE (L)	FLOW 6HR TURNOVER (LPM)
70,000	194
80,000	222
100,000	277
120,000	333
150,000	416

STEP 2 SELECT PUMP

PUMPS	LPM @12M
Pantera 550	100
Pantera 750	160
Pantera 1100	220
Pantera 1500	250
SilentFlo 750	140
SilentFlo 1100	250
SilentFlo 1500	350

PUMPS	LPM @12M
WhisperFlo 750	175
WhisperFlo 1100	275
WhisperFlo 1500	330
WhisperFlo 2100	425
WhisperFlo XF	620

PUMPS	LPM @12M
LTP400	75
LTP550	100
LTP750	150
LTP1100	220

PUMPS	LPM @12M
Max-E-Pro 730	180
Max-E-Pro 1100	260
Max-E-Pro 1500	375
Max-E-Pro 2200	440

STEP 3 SELECT FILTER

SAND FILTERS					
FILTER	FLOW (LPM)		FILTER	FLOW (LPM)	
	Min*	Max		Min*	Max
LSFII-21-40	120	190	Pantera 21"	125	165
LSFII-25-40	180	260	Pantera 25"	175	235
LSFII-25-50	180	280	Pantera 29"	240	320
LSFII-28-50	230	350	Pantera 33"	310	415
LSFII-32-50	270	415			
Triton 30"	275	371	Tagelus 24"	170	230
Triton 36"	395	534	Tagelus 30"	280	380

CARTRIDGE FILTERS			
FILTER	MAX FLOW (LPM)	FILTER	MAX FLOW (LPM)
FFCF-100	380	CNC320	454
FFCF-150	550	CNC420	568
FFCF-200	550	CNC520	568
RP100	380		
RP150	570		
RP200	570		

*Minimum flow required to backwash.

STEP 4 SELECT CHLORINATOR

Chlorinator	MAX POOL SIZE (L)		
	Mild	Temperate	Tropical
FFCL-15-RPQ	40,000	30,000	20,000
FFCL-25-RPQ	80,000	60,000	50,000
FFCL-35-RPQ	120,000	90,000	70,000
SR-20	60,000	45,000	35,000
SR-30	100,000	75,000	60,000
SR-45	140,000	110,000	90,000
SR-60	200,000	150,000	120,000

STEP 5 SELECT VARIABLE SPEED

PUMP	MAX POOL SIZE (L)
Pantera Eco VS	50,000
EnviroMax 800	75,000
EnviroMax 1500	100,000
IntelliFlo VSF	150,000
IntelliFlo XF	200,000





POOL PUMPS

INTELLIFLO 3 VSF - COMING SOON

VARIABLE SPEED & FLOW PUMP



FEATURED HIGHLIGHTS:

- Proprietary flow technology maintains the pool's optimal flow, adjusting to pool conditions and helping pool owners save up to 90% in energy consumption**
- Only pump with Wi-Fi enabled automation; unlocks the ability to connect two additional pool products for more streamlined pool management
- Optional touchscreen adds a modern touch and easy local operation for on-site professionals and pool owners
- Quieter performance compared to single speed pumps, ensuring a more desirable backyard pool experience
- Available in two horsepower options: 1.5 and 3.0 HP to suit a variety of pools
- 5 year limited warranty.*

The award-winning IntelliFlo3 VSF Pump is the pinnacle of new Pentair Pool technology, connecting with the Pentair Pool and Pro apps to allow pool owners and professionals to monitor and control anytime, anywhere. With the ability to connect two additional pool equipment products

with Wi-Fi enabled automation, the IntelliFlo3 pump boasts innovative flow technology and a quiet operation, representing the future of efficient pool maintenance and ownership.

ORDERING INFORMATION

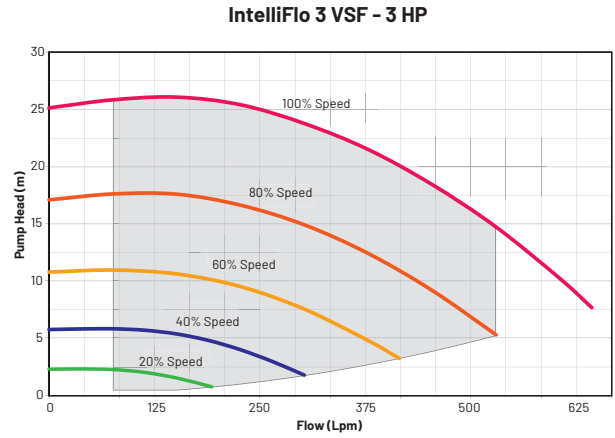
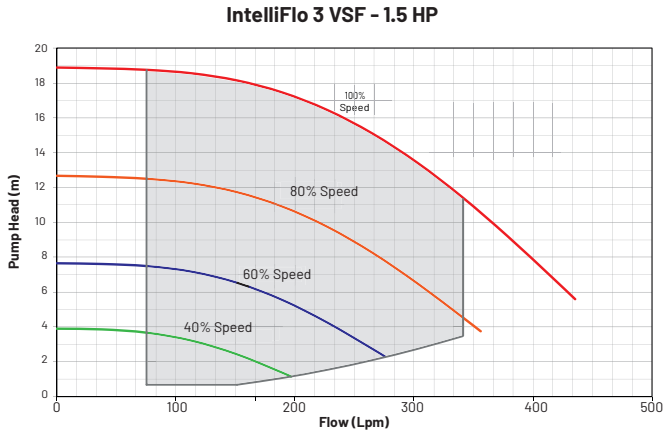
Part	Model	Voltage (VAC)	Speed (RPM)	Full Load (A)	Power Input (P1,W)	kW Power Output (P2,W)	Nominal Power (hp)	Carton Dim(mm).	Carton Weight (Kg.)	Pallet Qty.
IntelliFlo 3 Pumps for IntelliCenter Systems										
011076-AU	IntelliFlo 3 VSF 3.0hp	230-240VAC	1000-3450	12.4	2.5kW	2.2kW	3	725x325x390	25	12
011066-AU	IntelliFlo 3 VSF 1.5hp	230-240VAC	1000-3450	12.4	2.5kW	2.2kW	3	725x325x390	25	12
IntelliFlo 3 Pumps with Touchscreen and 2x Outlets										
011078-AU	IntelliFlo 3 VSF 3.0hp	230-240VAC	1000-3450	6.4	1.3kW	1.1kW	1.5	725x325x390	22	12
011068-AU	IntelliFlo 3 VSF 1.5hp	230-240VAC	1000-3450	6.4	1.3kW	1.1kW	1.5	725x325x390	22	12

*Terms and conditions apply

INTELLIFLO 3 VSF

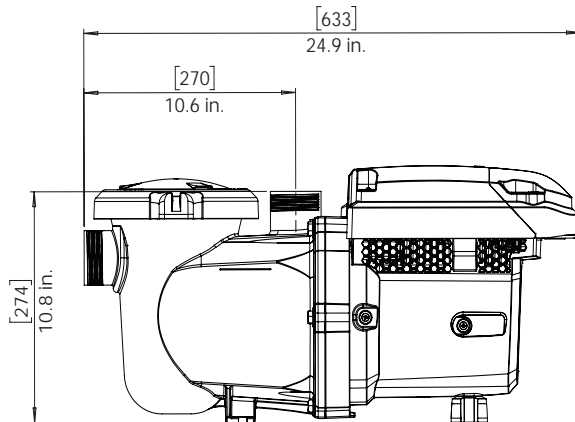
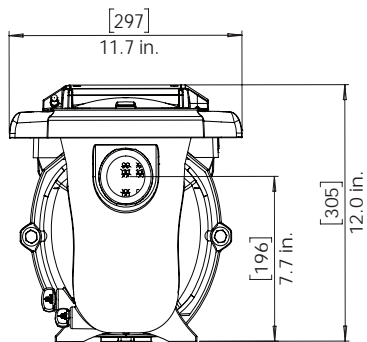
VARIABLE SPEED & FLOW PUMP

PERFORMANCE

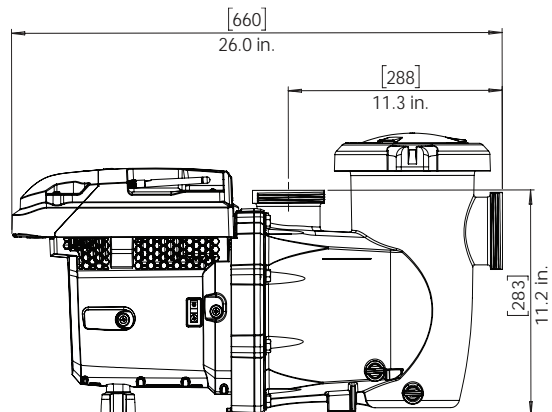
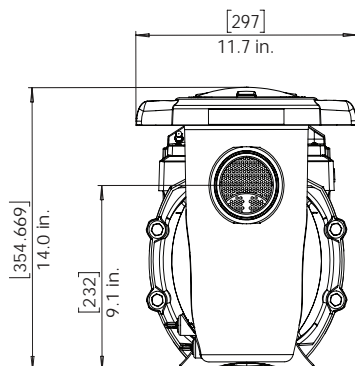


DIMENSIONS*

1.5 HP Models



3 HP Models



INTELLIFLO 2 VSF

VARIABLE SPEED & FLOW PUMP



FEATURED HIGHLIGHTS:

- Ability to program exact pump speeds or flows for specific operations – filtering, heating, cleaning, spa jets, water features and more. Reduces energy costs up to 90%.
- 50mm /2" barrel unions included.
- 8 speed and/or flow settings and on-board scheduling with timers.
- LCD screen with keypad for easy programming.
- Ultra-efficient permanent magnet motor design reduces noise and vibration for greater efficiency and longer pump life.
- Built-in diagnostics protect the IntelliFlo2 VSF pump from the most common causes of premature failure—loss of prime, overheating, freezing, and voltage irregularities .
- Fully compatible with IntelliCenter®, EasyTouch®, and some other pool control systems.
- Robust On Board Power Factor Correction .
- 5 year limited warranty.*

The world's first variable speed and flow pump that delivers the highest available efficiency and peak performance. The IntelliFlo® 2 VSF pump is the first to adjust to changes in flow conditions to maintain its preprogrammed flow rate to run optimally throughout

the entire filtration cycle. It's like having cruise control for your pump. Since the IntelliFlo® 2 VSF pump is ultra energy efficient, you can experience increased energy savings, up to 90%, when compared to conventional single speed pumps.

ORDERING INFORMATION

Part	Model	Voltage (VAC)	Energy Star Rating	Speed (RPM)	Full Load (A)	Power Input (P1,W)	kW Power Output (P2,W)	Nominal Power (hp)	Carton Dim(mm).	Carton Weight (Kg.)	Pallet Qty.
IntelliFlo2 VSF VARIABLE SPEED / VARIABLE FLOW PUMP											
011056-AU	IntelliFlo® 2 VSF	230-240	5.5	3450	9.6A	3.2kW	2.2kW	2.0	725x325x390	23	12

ACCESSORIES

Part	Model	Input Voltage	Carton Dim (mm).	Carton Weight (Kg.)
EXTERNAL CONTROL INTERFACES				
521109	IntelliComm II Interface Adaptor	9-24VAC, 9-24VDC	150x75x75	0.5

*Terms and conditions apply

INTELLIFLO 2 VSF

VARIABLE SPEED & FLOW PUMP

ACCESSORIES

The IntelliComm II interface allows you to control the IntelliFlo pump with an alternative or custom control. The IntelliComm II has low voltage inputs up to 9-24V DC and controls the IntelliFlo via the communication cable.

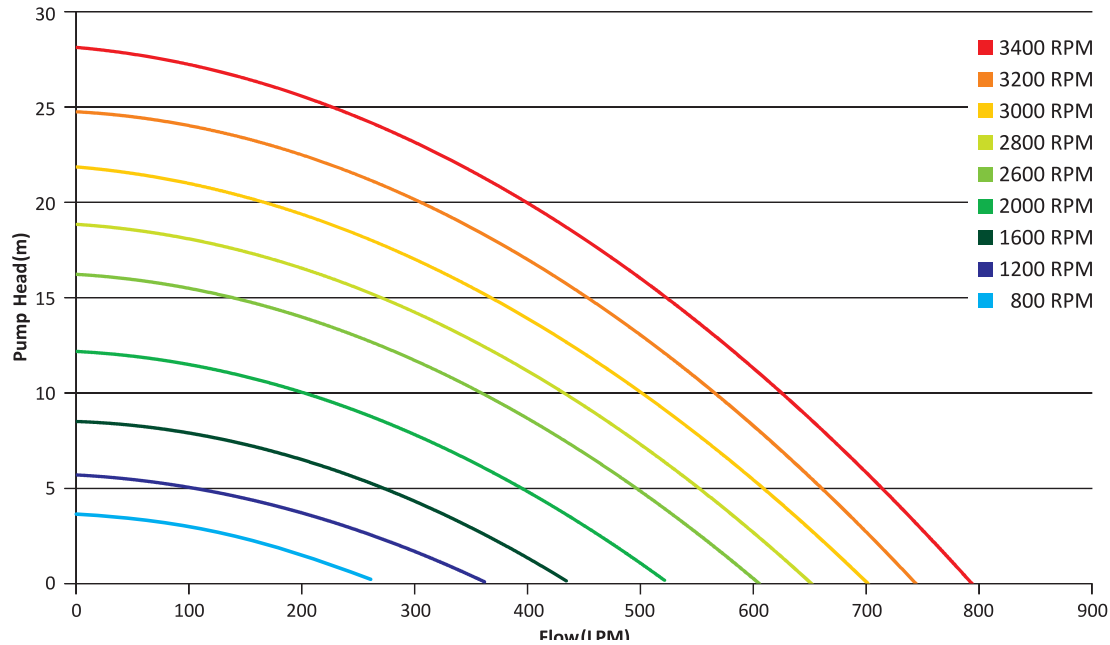
Note:

the IntelliComm II is not required to connect an IntelliFlo pump to a Pentair automation system.

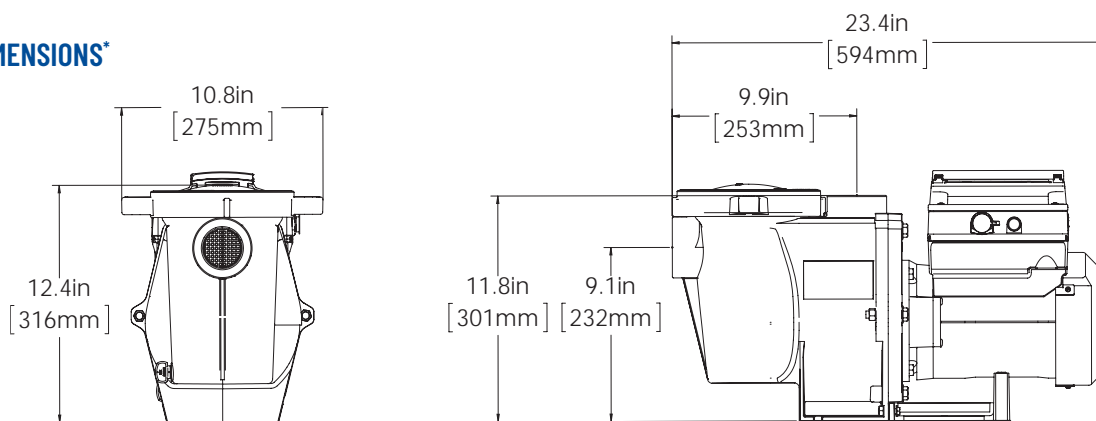


IntelliComm II

PERFORMANCE



DIMENSIONS*



SOUND PRESSURE LEVEL

Pump Model	INTELLIFLO 2 VSF
MAX SPEED (3450 RPM)	69dB @ 1m
HIGH SPEED (2760 RPM)	63dB @ 1m
LOW SPEED (1140 RPM)	39dB @ 1m

ENVIROMAX

ENERGY EFFICIENT VARIABLE SPEED PUMP



FEATURED HIGHLIGHTS:

- EnviroMax 1500 features a built in time-clock (which can be disabled) that allows the pump to operate independently of a salt chlorinator.
- EnviroMax 1500 features an auto advance feature, which allows the pump to automatically change speeds when running from a conventional salt chlorinator.
- Powerful Head and Flow - Increased head and flow makes pump suitable for spa jets, in-floor cleaning and other high demand applications.
- Adjustable Priming - Set desired priming speed or deactivate altogether.
- Power Factor Correction - EnviroMAX® 1500 has a power factor >0.9 which means the power consumption shown on our energy label, is what you are actually charged for.
- Digital Control Input - For connection to automation systems.
- Tough and Durable - Pump made from Dura-Glas™ composite, reinforced, resin. UV and weather resistant.
- Quiet Operation - Our quietest EnviroMAX® yet.
- Precision Fit Components - Precision engineering for quality, reliability and efficiency.
- 3 Year Warranty.

New EnviroMAX® Variable Speed Pumps bring the remarkable energy cost savings of variable speed technology to everyday pools that require up to a 2.0-HP pump. They dramatically reduce energy costs by moving water more efficiently at lower speeds.

Building on the success of previous EnviroMAX® pool pumps, the new EnviroMAX® 1500 and 800 models add higher output so you can do more; filtration, spa jets, water features and even in-floor cleaning.

ORDERING INFORMATION

Part	Model	Voltage (VAC)	Energy Star Rating	Speed (RPM)	Full Load (A)	Power Input (P1,W)	Power Output (P2,W)	Nominal Power (hp)	Carton Dim(mm).	Carton Weight (Kg.)	Pallet Qty.
ENVIROMAX VARIABLE SPEED PUMP											
EVMX 1500	EnviroMAX 1500	230-240	5.0	600-3150	9.6A	2100	1700	2.0	725x325x390	22	12
EVMX 800	EnviroMAX 800	230-240	5.5	1000-2850	6.5A	975	800	1.0	725x325x390	22	12

SOUND PRESSURE LEVEL

Pump Model	EVMX800		EVMX1500	
MAX SPEED	2850 RPM	59dB @ 1m	3150RPM	63dB @ 1m
HIGH SPEED	2275RPM	57dB @ 1m	2510 RPM	54dB @ 1m
LOW SPEED	1375 RPM	51dB @ 1m	1250 RPM	46dB @ 1m

ACCESSORIES

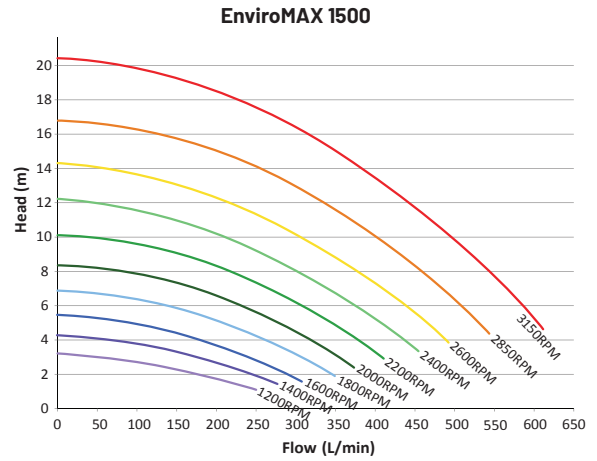
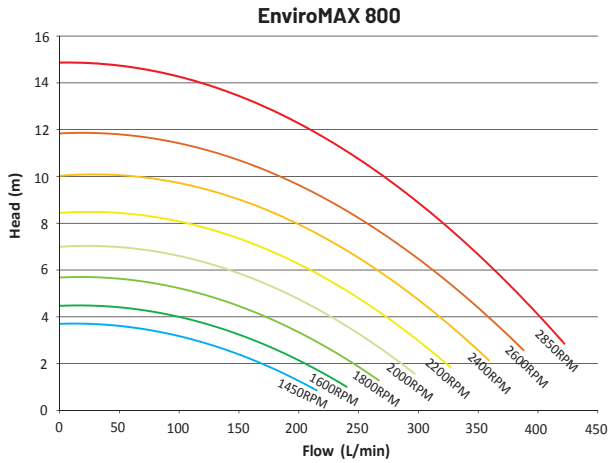
Part	Model
ENVIROMAX VARIABLE SPEED PUMP	
800018	Enviromax 800 Automation Cable
356324Z	EnviroMax 1500 Automation Cable

*Terms and conditions apply

ENVIROMAX

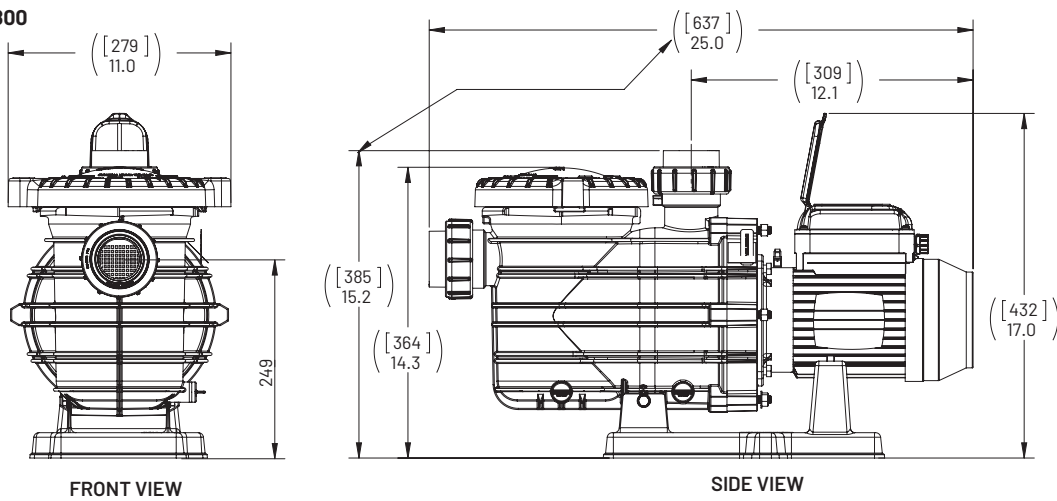
ENERGY EFFICIENT VARIABLE SPEED PUMP

PERFORMANCE

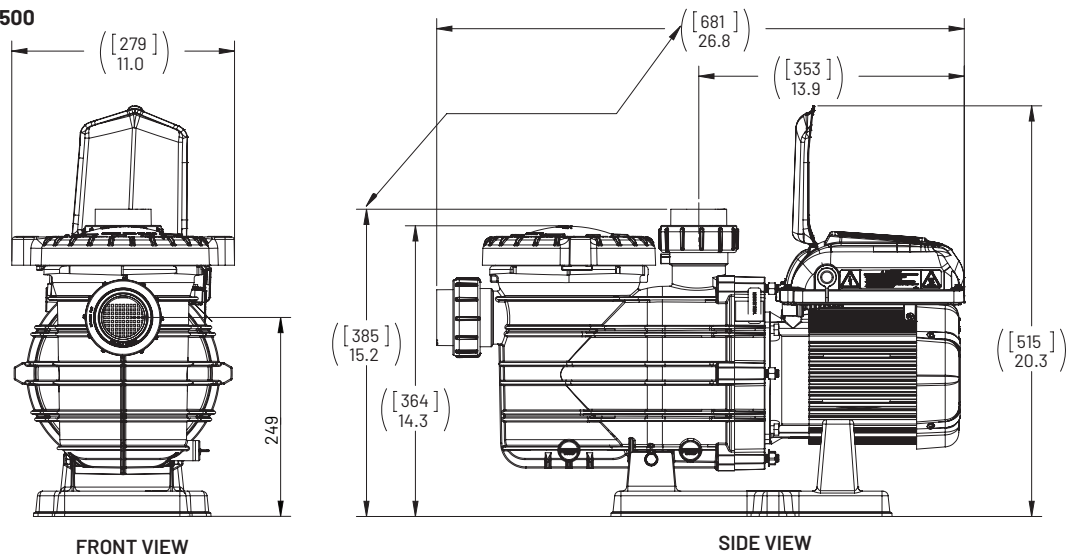


DIMENSIONS*

EnviroMAX 800



EnviroMAX 1500



MAX-E-PRO

HIGH-PERFORMANCE POOL/SPA PUMPS



FEATURED HIGHLIGHTS:

- Typical Installation - Inground pools, pool/spa combinations, inground spas, fountains and water features.
- Self-priming - Suction lift up to 4.5m above water level.
- Easy-to-Install - 2"/50mm ports include external and internal threads for more plumbing options.
- Superior Hydraulic Design - Moves larger volumes of water, resulting in lower operating costs
- Impeller Manufactured with PPO Resin - Withstands the toughest water environments.
- Fluoroelastomer Rubber Shaft Seal - Longer-lasting seal stands up to the harshest environments.
- Self-lubricating Lid O-ring - Does not require lubricant.
- 3 years limited warranty.*

Max-E-Pro - High efficiency, low maintenance and maximum performance—all the features demanded by today’s pool professionals. The Max-E-Pro pump has our new Quick-Lock™ trap cover ring and the 50mm / 2 in. ports incorporate internal and external threads. Available in single and three phase models, with ratings from 1 to 3 HP. Built with quality construction using a durable one-piece

pump housing constructed of Dura-Glas™—Pentair’s industry leading glass-reinforced composite resin. Fast cleaning with a Quick-Lock trap cover ring permits fast access to strainer basket. Large “see-thru” lid makes it simple to check for debris. A strong, sturdy, specially-designed base dampens sound and vibration, making the Max-E-Pro pump one of the quietest pumps in its class.

ORDERING INFORMATION

Part No.	Model	Voltage (VAC)	Full Load (A)	Energy Star Rating	Power Input (P1,W)	Power Output (P2,W)	Power (hp)	Locked Rotor Current (A)	Capacitor (uF)	Carton Dim(mm).	Carton Weight (Kg.)	Pallet Qty.
HIGH PERFORMANCE SINGLE PHASE												
MP730100	Max-E-Pro 730	230-240	4.1	1.0	925	690	1	14	30	725x325x390	16.5	12
MP1100100	Max-E-Pro 1100	230-240	6.0	1.0	1330	1000	1.5	22	25	725x325x390	19.5	12
MP1500100	Max-E-Pro 1500	230-240	7.9	-	1800	1350	2	28	35	725x325x390	22.5	12
MP2201100	Max-E-Pro 2200	230-240 [^]	10.7	-	2435	1950	3	42	2x25	725x325x390	27.5	12
HIGH PERFORMANCE 3-PHASE												
MP1508100	Max-E-Pro 1500	400-415	4.2	-	2100	1690	2	23	-	725x325x390	28	12
MP2208100	Max-E-Pro 2200	400-415	4.4	-	2420	1980	3	38	-	725x325x390	30	12

SOUND PRESSURE LEVEL

Pump Model	MP730100	MP1100100
AS5102 Test Point	57dB @ 1m	58dB @ 1m

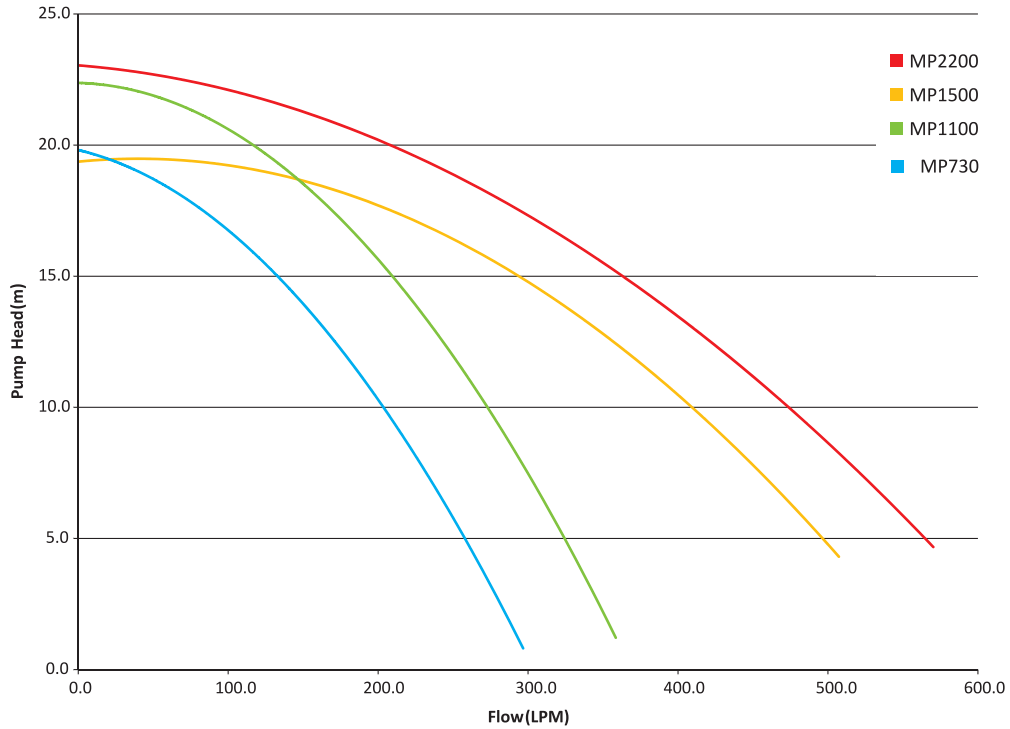
*Terms and conditions apply

[^]MP2201100 is equipped with a 15A lead

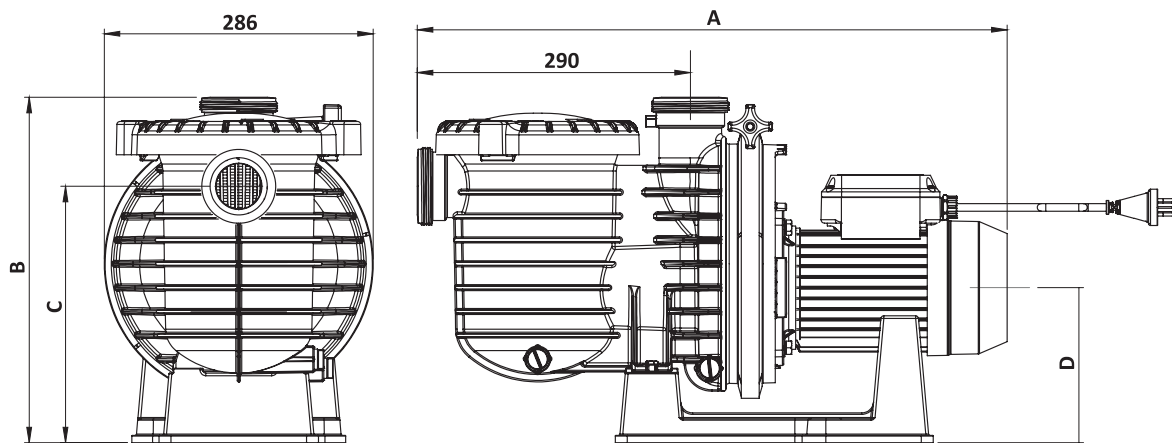
MAX-E-PRO

HIGH-PERFORMANCE POOL/SPA PUMPS

PERFORMANCE



DIMENSIONS*



Pump Model	MP730100	MP1100100	MP1500100	MP1508100	MP2200100	MP2208100
A (mm)	629	650	690	694	694	694
B (mm)	374	374	374	374	374	374
C (mm)	280	280	280	280	280	280
D (mm)	165	171	171	181	181	181

*All dimensions in mm.

SILENTFLO

ULTRA QUIET - HIGH EFFICIENCY PUMPS



FEATURED HIGHLIGHTS:

- Quiet operation - A specially designed sound-dampening pump casing and base make pump operation incredibly quiet, enabling you to run the pump at night without disturbing the neighbours and take advantage of the off-peak tariffs.
- High efficiency - Precision-fit internal components and superior hydraulic design deliver effortless performance, energy savings and extended pump life.
- Elevated base - Further dampens sound and vibration for even quieter operation and keeps the pump above sitting water which minimises corrosion.
- Large volume Strainer basket Minimises the maintenance requirement by extending the time between strainer basket clean outs.
- Dual connections - 50mm thread or 50mm quick-disconnect barrel unions (included).
- Cam & Ramp™ lid - Easy to remove, locks in place with a quarter turn, making inspection and cleaning a breeze.
- 3 years limited warranty.*

The Sta-Rite SilentFlo is an ultra-quiet, high-efficiency, self-priming, medium head pump in 3/4 through 2hp with an extra large, integral hair and lint strainer. SilentFlo is precision moulded with Pentair's innovative thermoplastic composite resin that is not only tough and highly corrosion

resistant but is design to dampen the noise created by the pump giving ultra-quiet operation. Silentflo features a high quality mechanical seal, stainless steel shaft and fasteners which will ensure that this pump will give top performance and reliability for years to come.

ORDERING INFORMATION

Part	Model	Voltage (VAC)	Full Load (A)	Energy Star Rating	Power Input (P1,W)	Power Output (P2,W)	Nominal Power (hp)	Locked Rotor Current (A)	Capacitor (uF)	Carton Dim(mm).	Carton Weight (Kg.)	Pallet Qty.
ULTRA QUIET HIGH EFFICIENCY SINGLE PHASE												
SF550100	SilentFlo 550	230-240	2.6	2.0	600	450	0.75	14	30	725x325x390	16.5	12
SF750103	SilentFlo 750	230-240	3.3	1.5	740	550	1.0	14	30	725x325x390	16.5	12
SF1100100	SilentFlo 1100	230-240	5.0	1.5	1050	790	1.5	22	25	725x325x390	19.5	12
SF1500100	SilentFlo 1500	230-240	6.7	1.5	1590	1190	2.0	28	35	725x325x390	22	12

SOUND PRESSURE LEVEL

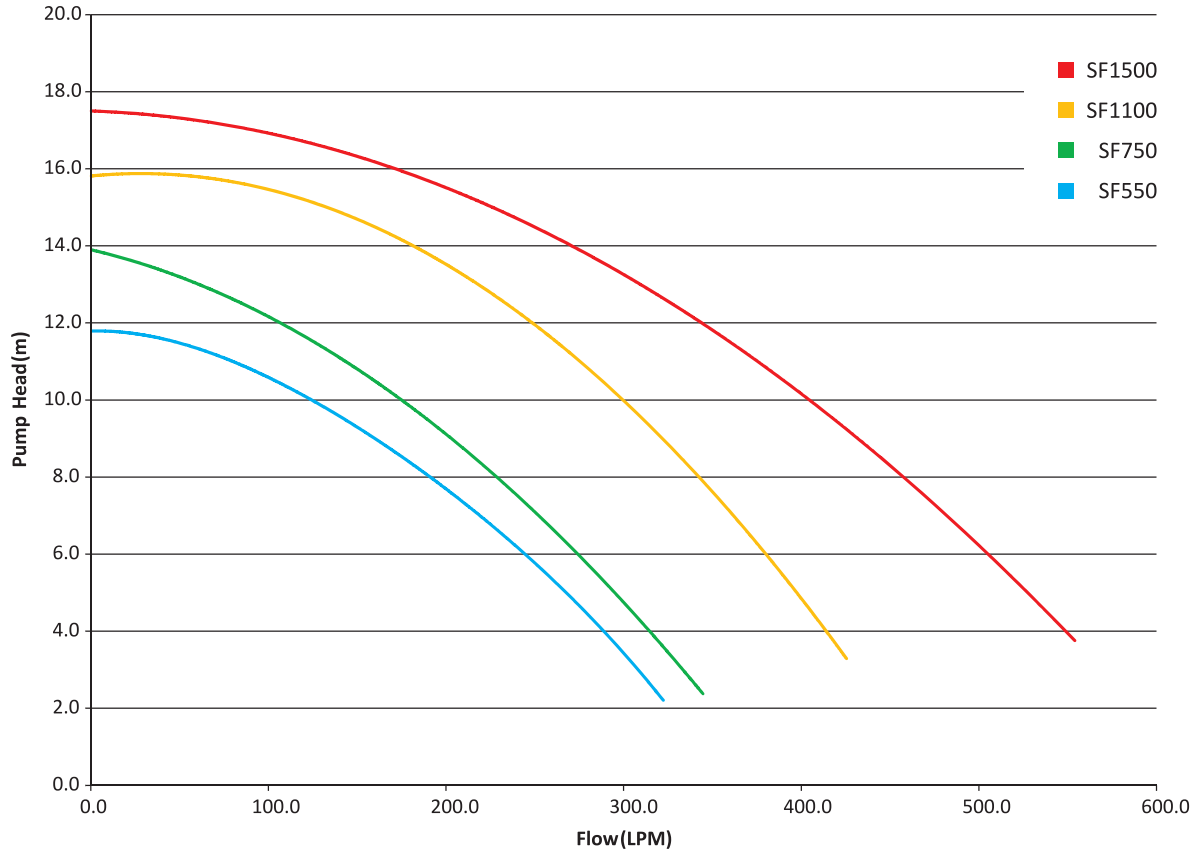
Pump Model	SF550	SF750	SF1100	SF1500
AS5102 Test Point	54dB @1m	54dB @1m	59dB @1m	59dB @1m

*Terms and conditions apply

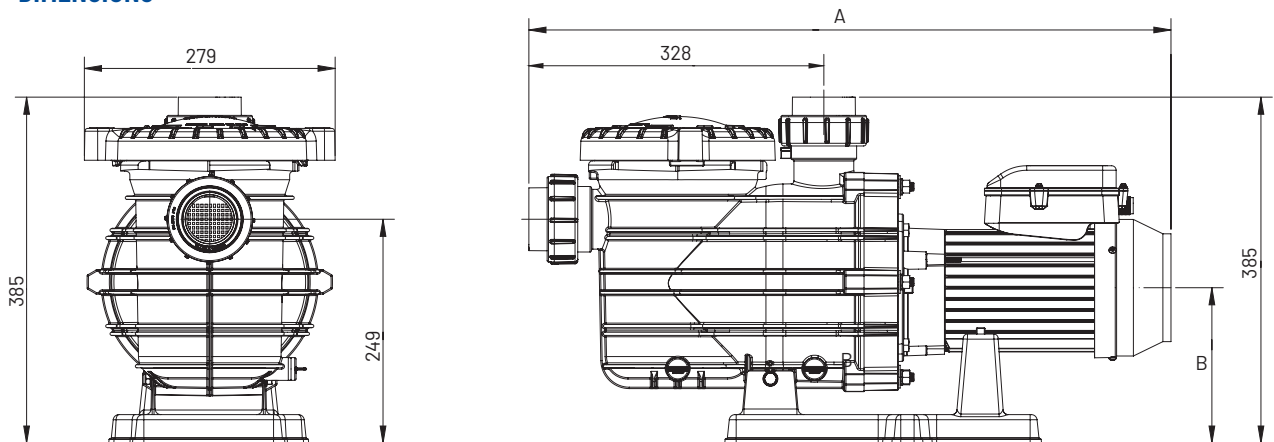
SILENTFLO

ULTRA QUIET - HIGH EFFICIENCY PUMPS

PERFORMANCE



DIMENSIONS*



Pump Model	SF550	SF750	SF1100	SF1500
A (mm)	616	616	637	677
B (mm)	173	173	179	179

*All dimensions in mm.

WHISPERFLO

HIGH PERFORMANCE PUMPS



FEATURED HIGHLIGHTS:

- Unique FunnelFlo™ diffuser and high-efficiency impeller maximise water flow and energy efficiency whilst minimising turbulence and noise.
- Specially engineered design assures whisper-quiet operation.
- Oversized strainer basket and volute extends time between cleaning.
- See-through lid makes inspection fast and easy and the engineered polymer will remain clear for years.
- Lower HP's deliver higher performance than industry standard.
- Compatible with all cleaning systems, various filters and jet action spas.
- Heavy-duty/durable construction is designed for long life.
- Designed for residential and commercial applications.
- User friendly Cam & Ramp™ lid is easy to remove and quickly locks in place with a quarter turn.
- 50mm /2" barrel unions included.
- 3 years limited warranty.*

We call it the WhisperFlo pump for good reasons. The innovative hydraulic design moves water more efficiently and more quietly than conventional pumps. Our legendary hydraulic design has been refined over 40 years for superior performance. Under typical operating conditions, WhisperFlo delivers high water flow with low electrical consumption.

WhisperFlo is designed to be a tireless workhorse, its engineered thermoplastic housing withstands extreme heat and resists corrosion. The commercial grade motor has a rust-resistant, stainless steel shaft and sealed bearings that never need lubrication. Engineered to provide optimum performance in any size pool and spa combination.

ORDERING INFORMATION

Part	Model	Voltage (VAC)	Full Load (A)	Energy Star Rating	Power Input (P1,W)	Power Output (P2,W)	Nominal Power (hp)	Locked Rotor Current (A)	Noise @1m	Capacitor (uF)	Carton Dim(mm).	Carton Weight (Kg.)	Pallet Qty.
HIGH PERFORMANCE SINGLE PHASE													
WHFL-750-1P	WhisperFlo 750	230-240	3.8	1.5	890	670	1	14	53dBm	30	725x325x390	15	12
WHFL-1100-1P	WhisperFlo 1100	230-240	5.5	1.5	1350	945	1.5	22	61dBm	25	725x325x390	19.5	12
WHFL-1500-1P	WhisperFlo 1500	230-240	6.3	1.5	1600	1120	2	28	62dBm	35	725x325x390	22	12
WHFL-2100-1P	WhisperFlo 2100	230-240	9.0 [†]	-	2020	1610	3	42	66dBm	2x25	725x325x390	27	12

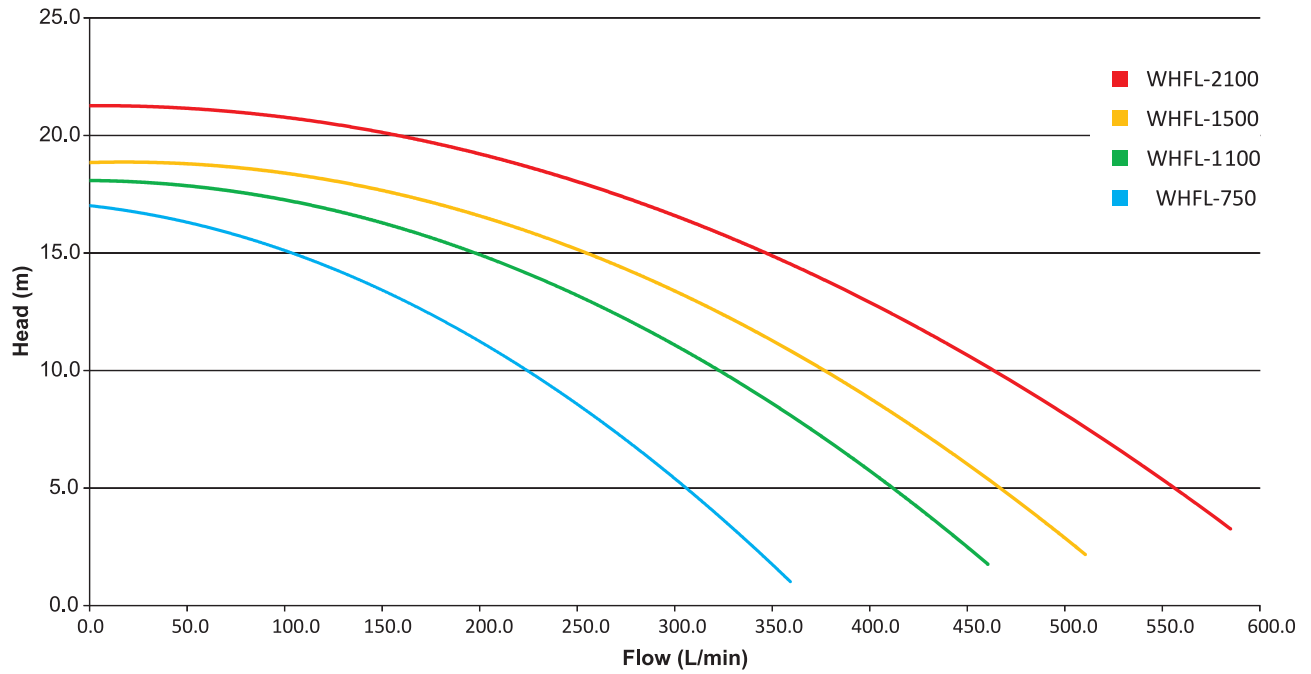
*Terms and conditions apply

[†]WhisperFlo 2100 is equipped with a 15A plug

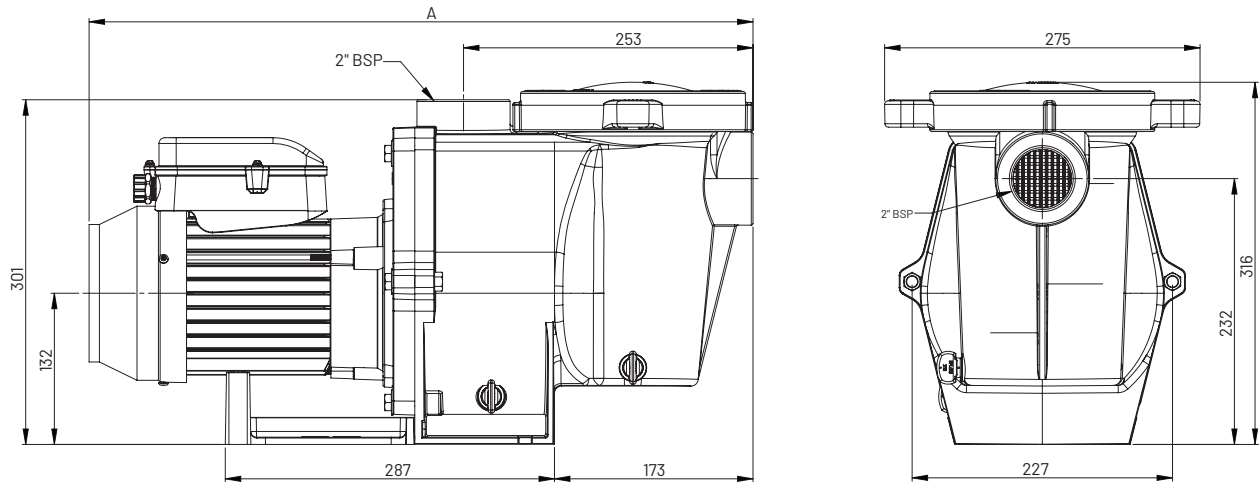
WHISPERFLO

HIGH PERFORMANCE PUMPS

PERFORMANCE



DIMENSIONS*



Pump Model	WHFL750	WHFL1100	WHFL1500	WHFL2100
A (mm)	570	580	620	620

*All dimensions in mm.

PANTERA ECO VS

ENERGY EFFICIENT VARIABLE SPEED PUMP



FEATURED HIGHLIGHTS:

- Variable speed pump, with 3 programmable speeds, allows you to effortlessly select the most efficient setting to meet your filtration, cleaning and water feature needs.
- Axial flux, brushless permanent magnet motor delivers high efficiency and low noise levels.
- Fault protected motor prevents damage by automatically shutting down the motor in the event of a locked rotor, under voltage, over voltage or over current condition and will automatically reduce the speed during an over temperature condition.
- ONGA Pantera® pumps are built with 5 levels of corrosion resistance including the plastic yoke and lip seal which protects the motor from water damage.
- A heavy-duty construction and a motor rated for continuous operation make the ONGA Pantera® Eco a tough, long-lasting performer.
- Unique self-aligning barrel unions fit to askew plumbing. 40mm internal / 50mm external spigot (AS/NZS PVC Pressure Pipe).
- Adjustable priming speed and duration up to 2 hours.

The Smart Pump Upgrade for Everyday Pools - Replace your traditional pump with Pentair's revolutionary variable speed technology and start saving now. ONGA Pantera® Eco Variable Speed Pumps bring the remarkable energy cost savings of variable speed technology to everyday pools.

Reduce energy costs by moving water more efficiently at lower speeds. You can save as much as 80% compared to conventional, single-speed pumps.

ORDERING INFORMATION

Part	Model	Speed (default)	Speed (RPM)	Full Load (A)	Power Input (P1,W)	Power Output (P2,W)	Noise dBA @1m	Nominal Power (hp)	Carton Dim(mm).	Carton Weight (Kg.)	Pallet Qty.
PANTERA VARIABLE SPEED PUMP											
PPP-VS-800	Pantera Eco VS 800	Full Range	1000-2850	6.0A	945	800	64	1.0	660x240x305	14	32
		LOW	1450	1.4	165	135	53				
		MEDIUM	2400	4.5	590	475	57				
		HIGH	2850	6.0	945	800	64				

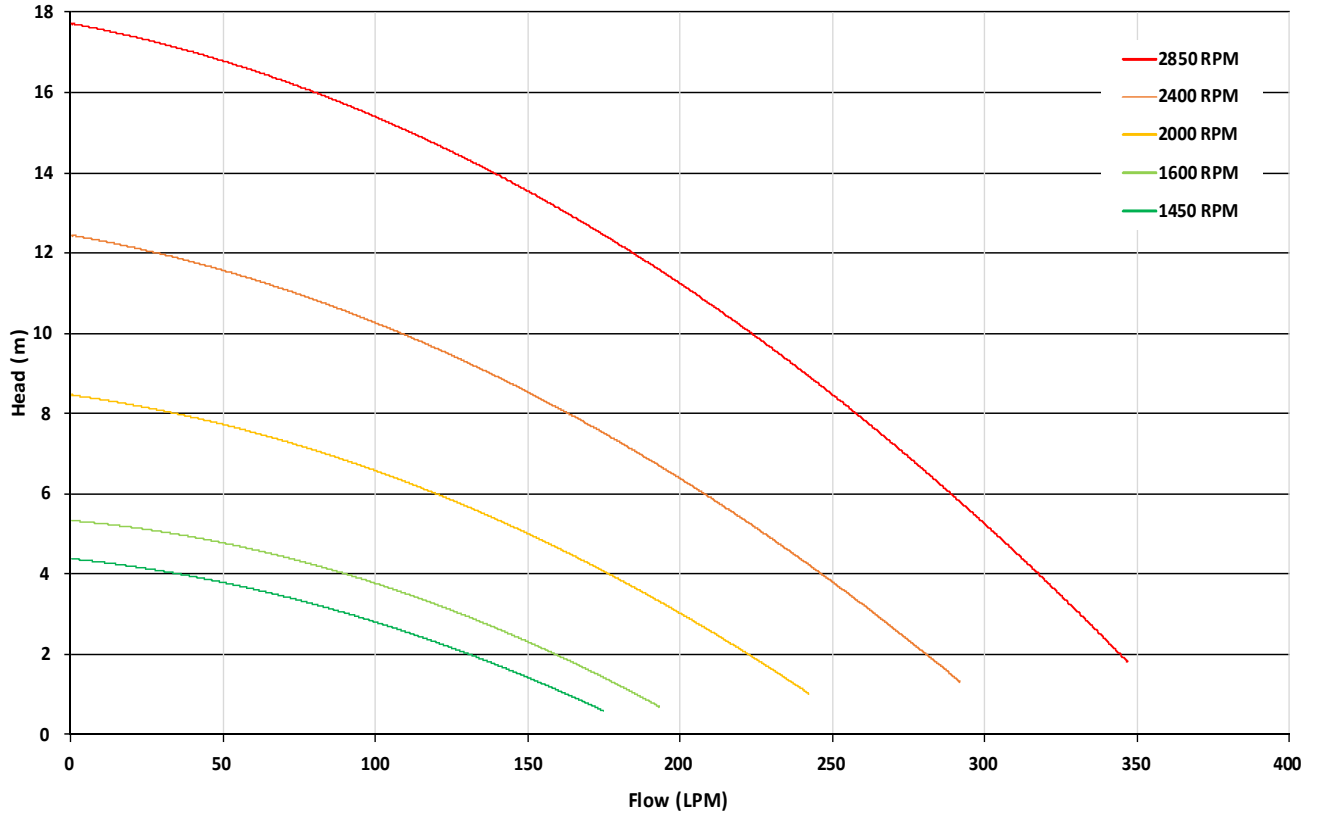
230-240VAC, 50Hz

*Terms and conditions apply

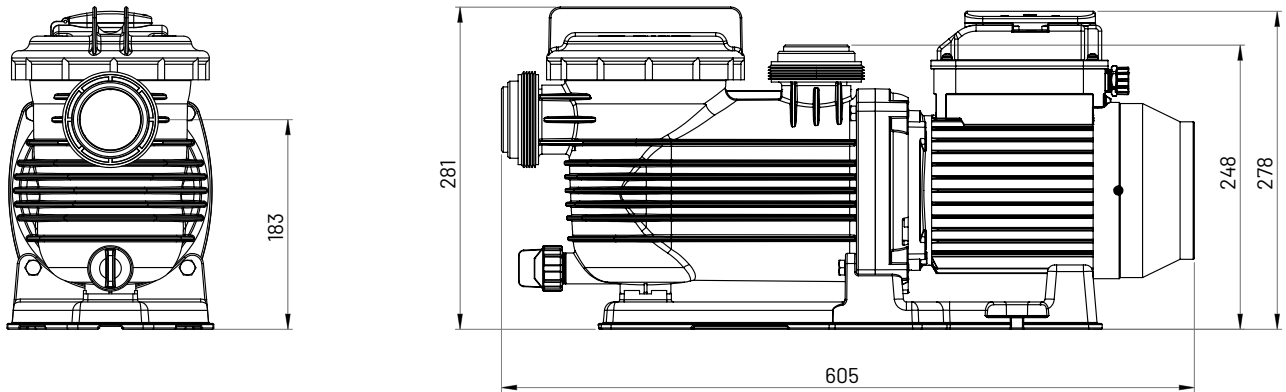
PANTERA ECO VS

ENERGY EFFICIENT VARIABLE SPEED PUMP

PERFORMANCE



DIMENSIONS*



*All dimensions in mm.

PANTERA EVOLUTION

HIGH EFFICIENCY 2-SPEED PUMP



FEATURED HIGHLIGHTS:

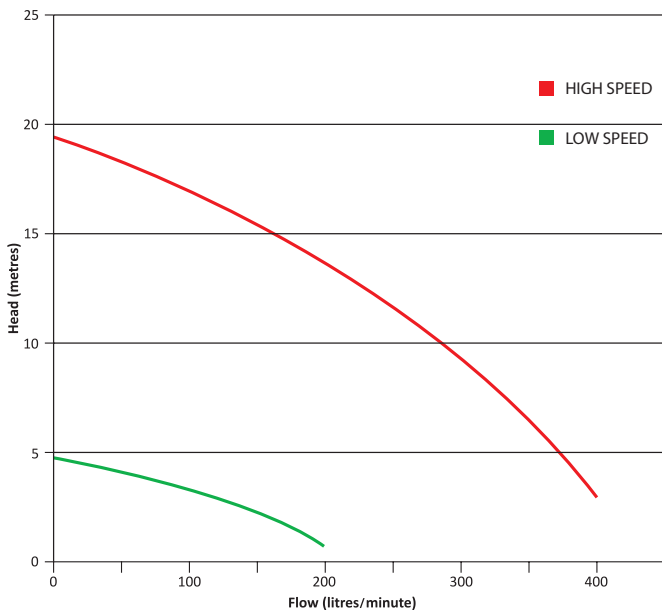
- Dual speed pump, with 2 fixed speeds, allows you to efficiently filter your pool, saving energy with the low speed mode and delivering extra power with the high speed mode for backwashing and vacuuming.
- 2 pole / 4 pole induction motor delivers high efficiency and low noise levels.
- Electronic control features high speed priming, 2 hour high speed boost mode and sync mode for added functionality
- Drop in replacement for all LeisureTime and PPP pool pumps.
- 3 years limited warranty.*

The Pantera Evolution utilise efficient hydraulic design and the latest technology in electronic control two speed motors. The Pantera Evo' delivers energy savings for a realistic cost outlay and the power when you need it.

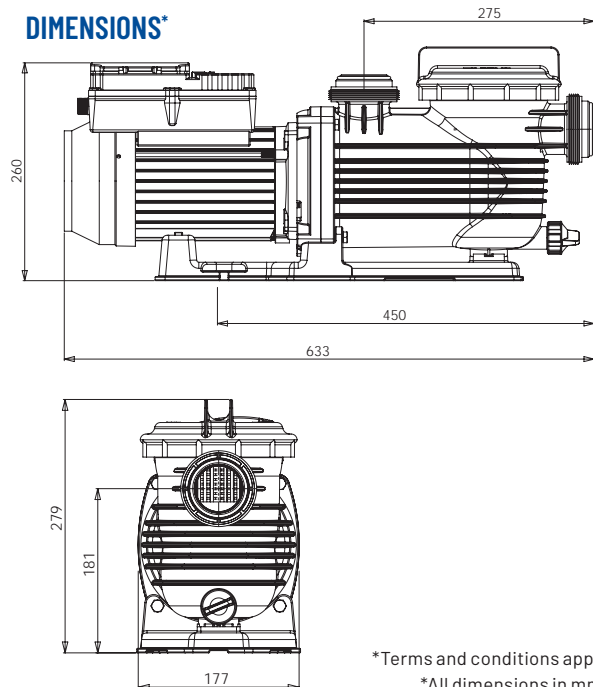
ORDERING INFORMATION

Part	Model	Voltage (VAC)	Speed	Speed (RPM)	Full Load (A)	Power Input (P1,W)	Power Output (P2,W)	Noise dBA @1m	Carton Dim(mm).	Carton Weight (Kg.)	Pallet Qty.
ENERGY EFFICIENT 2 SPEED											
PPP-950-2SP	Pantera Evo 2 Speed	230-240	LOW	1400	1.0	223	118	49	660x240x305	16	32
			HIGH	2850	5.2	1180	950	61			

PERFORMANCE



DIMENSIONS*



*Terms and conditions apply
*All dimensions in mm.

PANTERA

HIGH PERFORMANCE PUMPS



AS/NZS 60335.2.41



FEATURED HIGHLIGHTS:

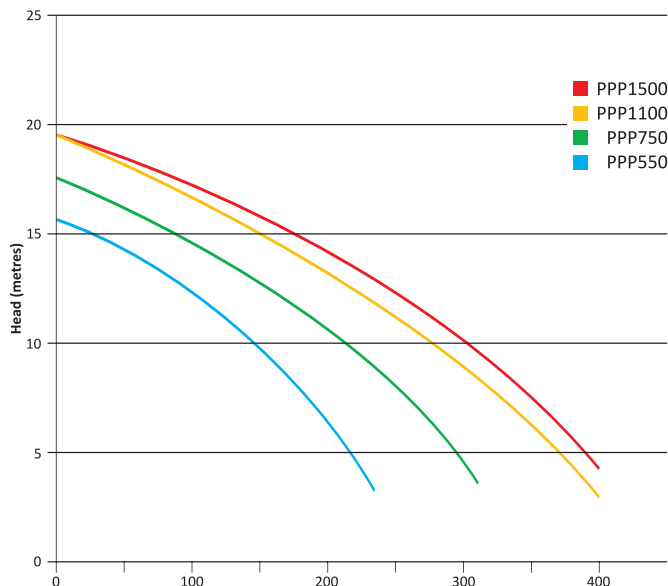
- Stainless steel motor shaft - A 5/8" 316 Stainless Steel shaft extends the life of the pump.
- Shaft Sleeve - A nylon shaft sleeve incorporating a flinger, adds additional water ingress protection.
- Mechanical Seal - A heavy-duty 3/4" 316 Stainless Steel mechanical seal (on all models) provides extended life and longer intervals between servicing.
- Plastic Yoke and Lip-Seal - The wet end design integrates a moulded end-shield cover and lip seal, protecting the motor from water damage.
- Self aligning barrel unions (40mm/50mm) included.
- 3 years limited warranty.*

Pantera pumps are high performance pumps with 5 levels of corrosion resistance.

ORDERING INFORMATION

Part	Model	Voltage (VAC)	Full Load (A)	Energy Star Rating	Power Input (P1,W)	Power Output (P2,W)	Nominal Power (hp)	Noise dBA @1m	Locked Rotor Current (A)	Capacitor (uF)	Carton Dim(mm).	Carton Weight (Kg.)	Pallet Qty.
HIGH PERFORMANCE SINGLE PHASE													
PPP-550-1P	Pantera 550	230-240	3.6	1.5	825	550	0.75	57	17	20	660x240x305	14	32
PPP-750-1P	Pantera 750	230-240	3.9	1.0	920	690	1.0	59	17	20	660x240x305	14	32
PPP-1100-1P	Pantera 1100	230-240	5.0	1.0	1200	900	1.25	65	21	25	660x240x305	15	32
PPP-1500-1P	Pantera 1500	230-240	6.1	1.0	1360	1020	1.5	63	21	25	660x240x305	15	32

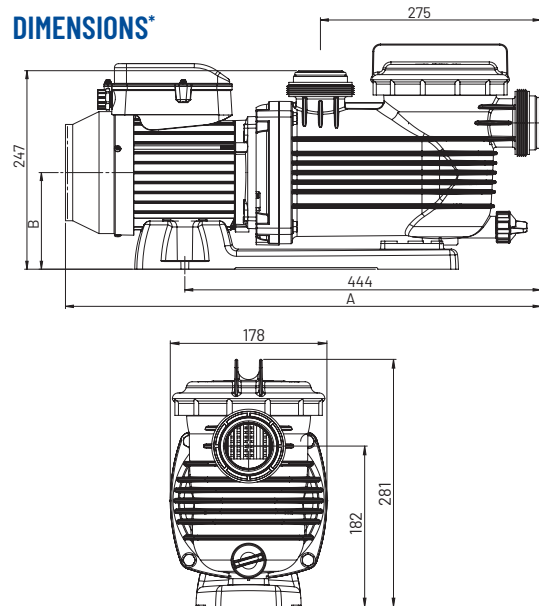
PERFORMANCE



*Terms and conditions apply

*All dimensions in mm.

DIMENSIONS*



Pump Model	PPP-550-1P	PPP-750-1P	PPP-1100-1P	PPP-1500-1P
A (mm)	575	575	593	593
B (mm)	121	121	121	121

LEISURETIME

HIGH PERFORMANCE PUMPS



FEATURED HIGHLIGHTS:

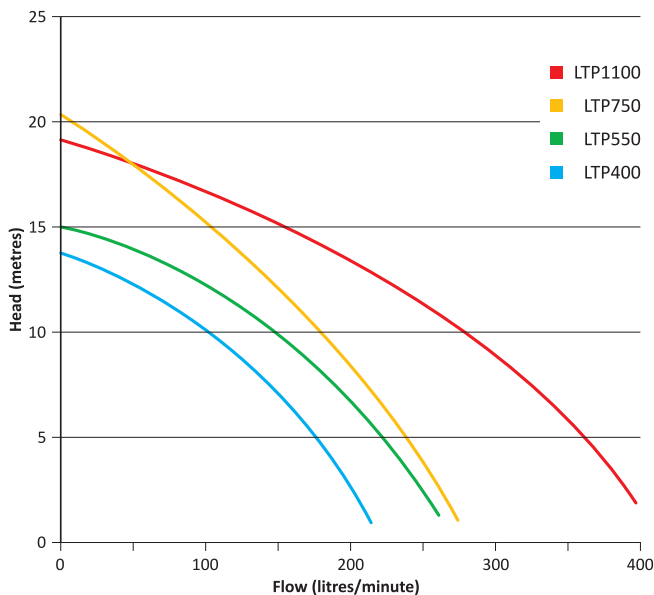
- New look casing, compatible with previous models.
- New tough impact and UV resistant casing.
- Epoxy coated end-shield.
- Stainless steel shaft and mechanical seal.
- Self aligning barrel unions - Onga's unique 5 degree self-aligning barrel unions make pipework connection a breeze.(40mm/50mm) included.
- IPX5 Totally Enclosed Fan Cooled Motor (TEFC) - protects against water and dust whilst keeping the motor cool.
- Self-priming.
- Built in on-winding thermal overload motor protection.
- Elevated motor foot.
- 2 years limited warranty.*

The LeisureTime range of in-ground ground pool pumps are great economical pumps ideal for small to medium in-ground pool systems. Sized from 1/2 to 1.5Hp they are purposefully designed to provide maximum performance at a realistic cost.

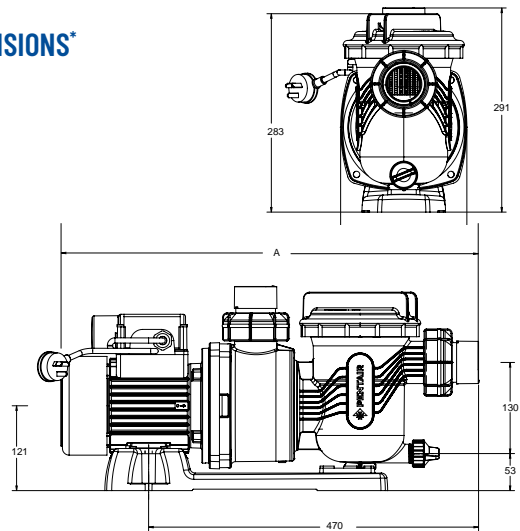
ORDERING INFORMATION

Part	Model	Voltage (VAC)	Full Load (A)	Energy Star Rating	Power Input (P1,W)	Power Output (P2,W)	Noise dBA @1m	Nominal Power (hp)	Locked Rotor Current (A)	Capacitor (uF)	Carton Dim(mm).	Carton Weight (Kg.)	Pallet Qty.
HIGH PERFORMANCE SINGLE PHASE													
LTP400	LeisureTime 400	230-240	2.7	-	585	400	-	0.5	10	12	610x320x200	11	48
LTP550	LeisureTime 550	230-240	3.5	1.5	785	550	61	0.75	17	20	610x320x200	14	48
LTP750	LeisureTime 750	230-240	4.3	1.0	930	700	59	1.0	17	20	610x320x200	14	48
LTP1100	LeisureTime 1100	230-240	5.4	1.5	1200	900	62	1.25	21	25	610x320x200	15	48

PERFORMANCE



DIMENSIONS*



Pump Model	LTP400	LTP550	LTP750	LTP1100
A (mm)	526	535	535	583

*Terms and conditions apply
*All dimensions in mm.

LEISURETIME SOLAR

SOLAR HEATING PUMPS



FEATURED HIGHLIGHTS:

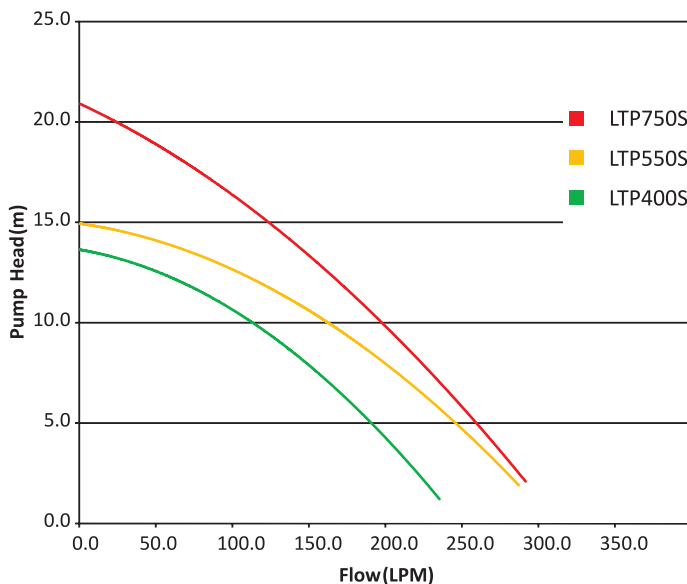
- IPX5 Totally Enclosed Fan Cooled Motor (TEFC) - protects against water and dust whilst keeping the motor cool.
- Self-priming.
- Built in on-winding thermal overload motor protection.
- Self aligning barrel unions - Onga's unique 5 degree self-aligning barrel unions make pipework connection a breeze (40mm/50mm included).
- Built in drain-down clacker.
- Electrophoretic coated end-shield.
- Stainless steel shaft and mechanical seal.
- 2 year limited warranty.*

Specially designed to handle hot water generated from solar heating banks. They offer unique corrosion protection with an electrophoretic coated end-shield. Sized from 1/2 to 1Hp to meet most solar heating requirements.

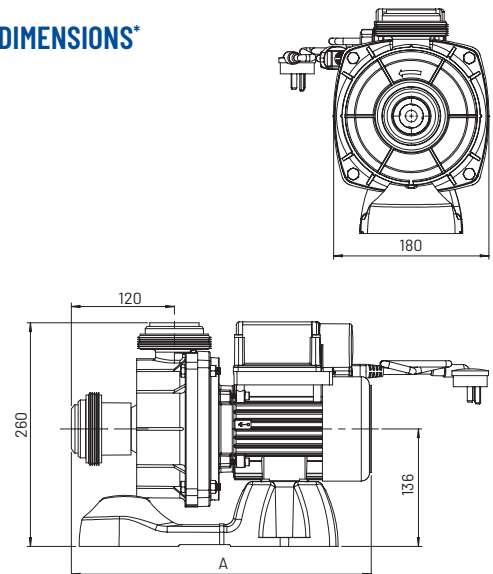
ORDERING INFORMATION

Part	Model	Voltage (VAC)	Full Load (A)	Power Input (P1,W)	Power Output (P2,W)	Nominal Power (hp)	Locked Rotor Current (A)	Capacitor (uF)	Carton Dim(mm.)	Carton Weight (Kg.)	Pallet Qty.
SOLAR PUMP SINGLE PHASE											
LTP400S	LeisureTime Solar 400	230-240	2.7	585	400	0.5	10	12	450x220x310	9.5	48
LTP550S	LeisureTime Solar 550	230-240	3.5	785	550	0.75	17	20	450x220x310	12.5	48
LTP750S	LeisureTime Solar 750	230-240	4.3	930	700	1	17	20	450x220x310	12.5	48

PERFORMANCE



DIMENSIONS*



Pump Model	LTP400S	LTP550S	LTP750S
A (mm)	347	356	356

*Terms and conditions apply

*All dimensions in mm.

MAX-BOOST

PRESSURE-SIDE CLEANER PUMP



FEATURED HIGHLIGHTS:

- Use with Legend & Racer Automatic Pool Cleaners.
- Single impeller design.
- Ideal replacement for pressure-side Booster pumps.
- Robust, high-strength thermo-plastic pump casing.
- Corrosion resistant stainless steel shaft.
- Elevated motor foot to protect from ground water and dampen noise.
- Includes barrel unions for connection to 40mm PVC or includes hose kit
- 2 year limited warranty.*

Combines ultimate performance with maximum efficiency for pressure-side pool cleaner ease. The 1300W booster pump is made from durable, corrosion-resistant materials, and provides ample pressure and flow.



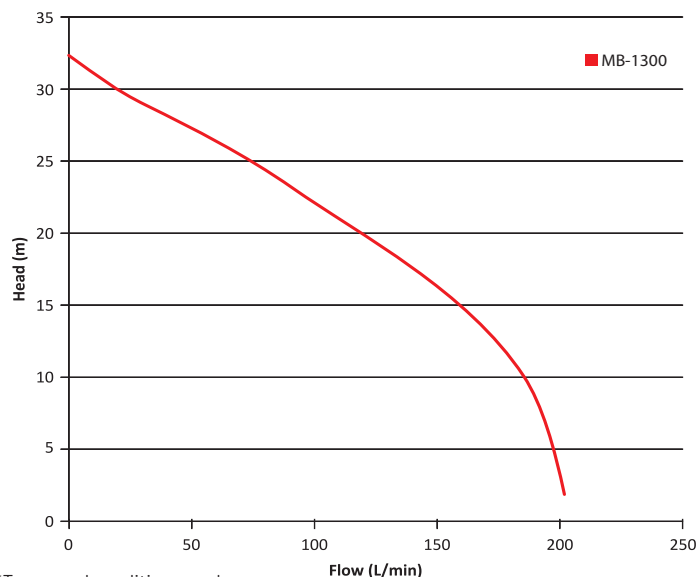
AS/NZS 60335.2.41



ORDERING INFORMATION

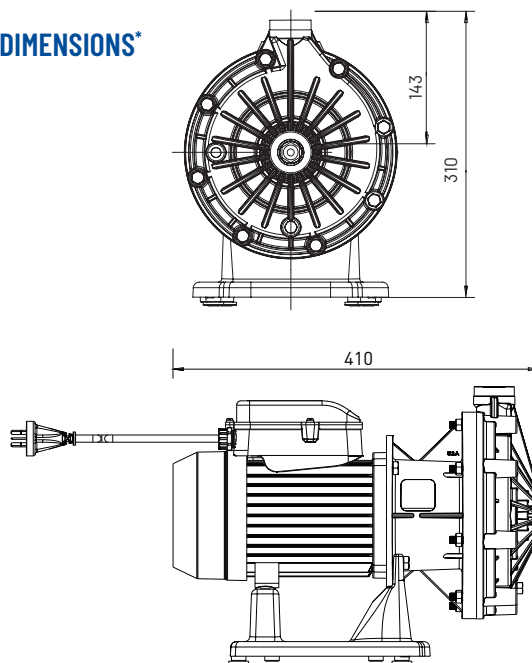
Part	Model	Voltage (VAC)	Full Load (A)	Power Input (P1,W)	Power Output (P2,W)	Nominal Power (hp)	Locked Rotor Current (A)	Capacitor (uF)	Carton Dim(mm)	Carton Weight (Kg.)	Pallet Qty.
PRESSURE-SIDE CLEANER PUMP PUMP SINGLE PHASE											
MB-1300-1P	Max-Boost 1300W w/ unions	230-240	8.0	1860	1300	1.75	22	25	452x242x330	13.5	36
MB-1300-1PT	Max-Boost 1300W w/ Hose Kit*	230-240	8.0	1860	1300	1.75	22	25	452x242x330	13.5	36

PERFORMANCE



*Terms and conditions apply

DIMENSIONS*



*All dimensions in mm.

SPA BLOWER

HIGH PERFORMANCE POOL BLOWER

onga®



AS/NZS 60335.2.41



FEATURED HIGHLIGHTS:

- High performance blower motor moves more energy with less effort.
- Optimised design using acoustic testing to minimise noise output.
- Incorporated sound deadening foam.
- Non-return valve to prevent returning water damage.
- Fits to standard 50mm PVC pipe.
- Includes free air button.
- 1 year limited warranty.**

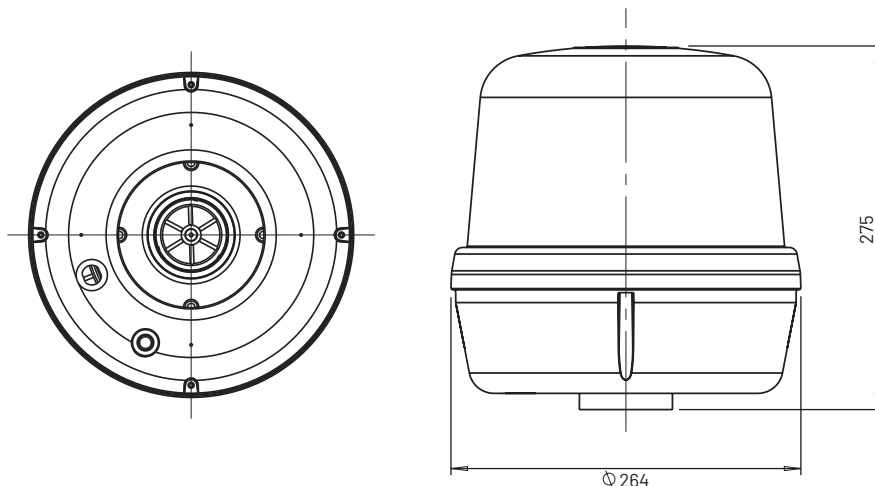
For greater levels of spa indulgence. The Onga blower adds the revitalising touch of warm swirling water enriched with millions of bubbles on your body in the ultimate therapeutic pleasure. In perfect harmony with your spa bath the Onga Spa Pool Blowers deliver a strong, reliable massage.

*Call for availability.

ORDERING INFORMATION

Part	Model	Voltage (VAC)	Full Load (A)	Carton Dim(mm).	Carton Weight (Kg.)	Pallet Qty.
HIGH PERFORMANCE SINGLE PHASE						
1043100	1200W Spa Pool Blower No Air Switch	230-240	6.3	280x270x310	4.7	64
1043000	1200W Spa Pool Blower + Air Switch	230-240	6.3	280x270x310	4.8	64

DIMENSIONS*



*All dimensions in mm.

NOTES:

A series of horizontal dotted lines for taking notes.



**PENTAIR
POOL**



POOL PUMPS

COMMERCIAL

INTELLIFLO XF / WHISPERFLO XF

HIGH PERFORMANCE PUMPS



IntelliFlo XF Pump



WhisperFlo XF Pump

FEATURED HIGHLIGHTS:

- Extremely quiet operation.
- Extra-large basket needs less emptying, with a smooth surface for easy debris removal.
- Self-priming for quick, easy start-up.
- User-friendly Cam & Ramp™ with see through lid, locks into place with a quarter turn for easy cleaning and maintenance.
- Diamond Seal, o-rings made from oxidation resistant EPDM rubber for superior long-lasting, leak-resistant performance.
- Integral volute and pot reduce hydraulic noise.
- Proprietary hydraulic isolator satisfies the competing priorities of smooth priming and optimally efficient operation.
- Union connectors included to connect directly to 80mm / 3" plumbing.
- 2 Years Commercial warranty



Now there's a pool pump for demanding high-capacity applications that's energy efficient, whisper-quiet and dependable. The WhisperFlo XF and IntelliFlo XF pumps bring best-in-class energy efficiency, near-silent operation and ultra-dependable performance to high-capacity pool pumps. Driven by innovation, when we developed this breakthrough pump, we relied on today's computer-aided design and manufacturing (CAD/CAM) plus computational fluid dynamics (CFD) to deliver the best WhisperFlo and IntelliFlo pump we've ever made.

The reward for our hard work is the WhispFlo XF and IntelliFlo XF pumps with energy efficiency that's unsurpassed by any pump in its class. A higher standard of performance, the WhisperFloXF and IntelliFlo XF pumps are the most efficient, technologically advanced high-capacity pump ever to wear the venerable Pentair badge. With outstanding performance from both a maximum-flow and mean-flow perspective, it's perfectly suited for small commercial pools as well as larger residential pools.

ORDERING INFORMATION

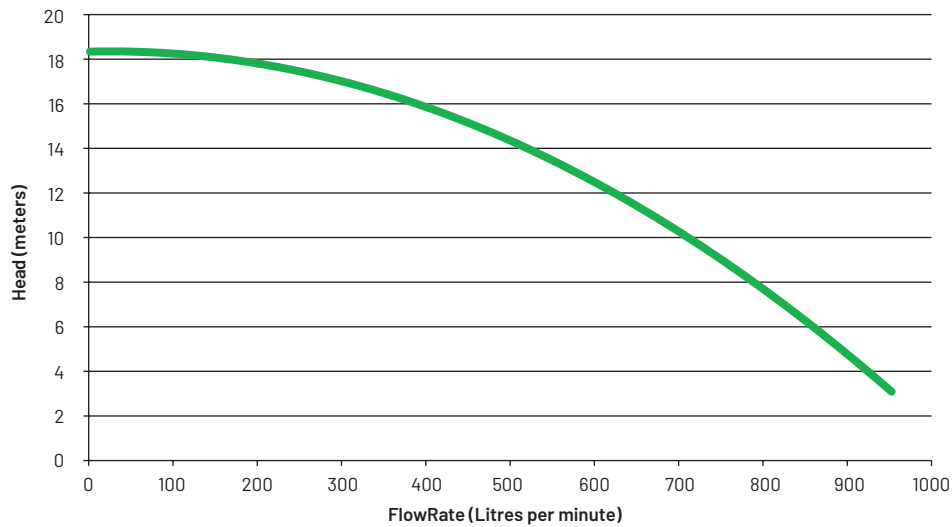
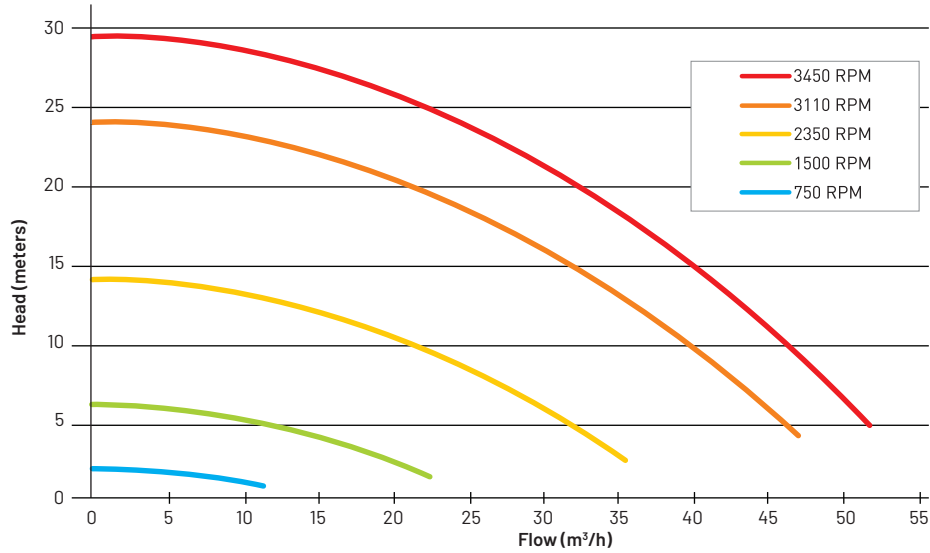
Part	Model	Voltage (VAC)	Full Load (A)	Power Input (P1,W)	Power Output (P2,W)	Nominal Power (hp)	Locked Rotor Current (A)	Capacitor (uF)	Carton Dim(mm).	Carton Weight (Kg.)	Pallet Qty.
HIGH PERFORMANCE SINGLE PHASE											
WHFL-2100-XF	WhisperFlo XF	230-240	10.5	2350	1950	3	42	2x25	725x325x390	29	12
022005	IntelliFlo XF	230-240	15	3200	2200	3	-	-	725x325x390	27	12

*Terms and conditions apply

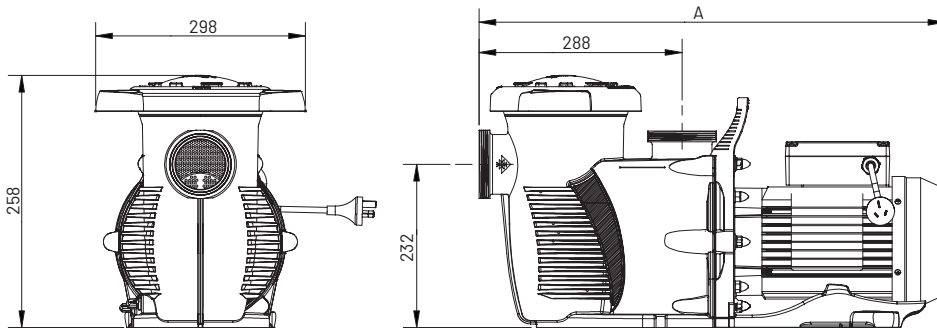
INTELLIFLO XF / WHISPERFLO XF

HIGH PERFORMANCE PUMPS

PERFORMANCE



DIMENSIONS*



Pump Model	WHISPERFLO XF	INTELLIFLO XF
A (mm)	662	633

*All dimensions in mm.

MAX-E-PRO XF VS 5HP

5HP COMMERCIAL VARIABLE SPEED POOL PUMP



FEATURED HIGHLIGHTS:

- Integrated 5HP motor/drive; no expensive external drive required.
- Versatile power input capability; runs off a wide range of single- or three-phase power.
- Speed or flow control for maximum efficiency and pool performance*.
- External control capability through automation systems or relays.
- Intuitive programming and operation.
- Meets commercial codes and agency requirements.

2 Years Commercial warranty

The Max-E-ProXF VS Commercial Pump is the first five-horsepower variable-speed pool pump that runs on single-phase or three-phase power. It's an economical, combined motor/drive solution for both HMC (hotel, motel, apartment, condominium) or large residential installations.

The Max-E-ProXF VS Commercial Pump provides sophisticated, energy-saving pump technology without the high costs typically associated with independent pump/external drive setups.

ORDERING INFORMATION

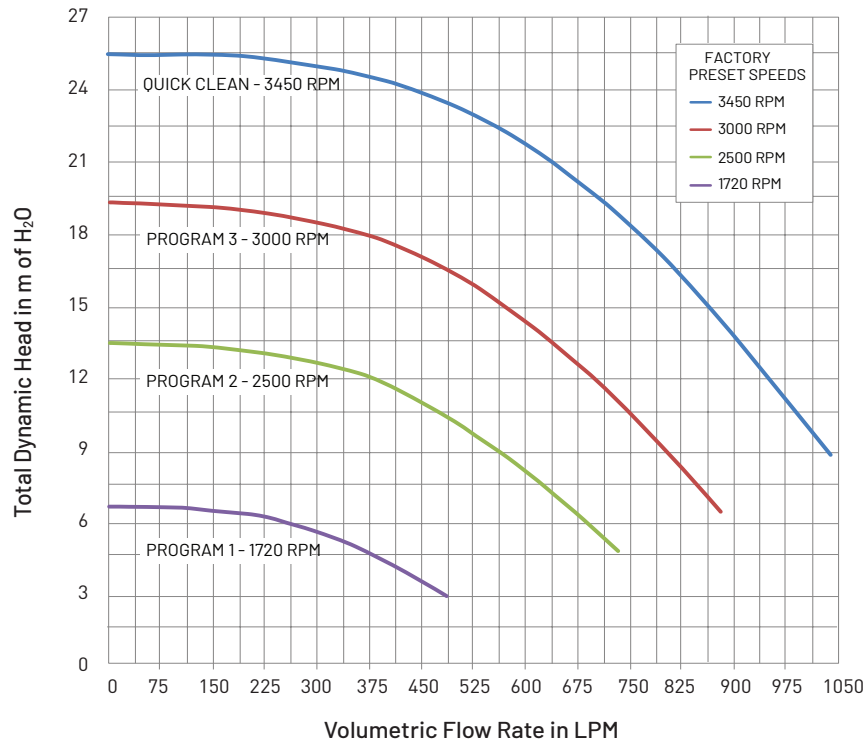
Part	Model	Voltage (VAC)	Full Load (A)	Power Input (P1,W)	Power Output (P2,W)	Nominal Power (hp)	Speed (RPM)	Sound PowerLevel (dBA @ 1m)	Carton Dim(mm).	Carton Weight (Kg.)	Pallet Qty.
HIGH PERFORMANCE SINGLE PHASE											
023035	Max-E-Pro XF VS	230-240, 1P, 50Hz or 400-415, 3P, 50Hz	20A (230,1~) 6A (415,3~)	5.0	3.75	5.0	300-3450	65	750x350x400	43	-

*Terms and conditions apply

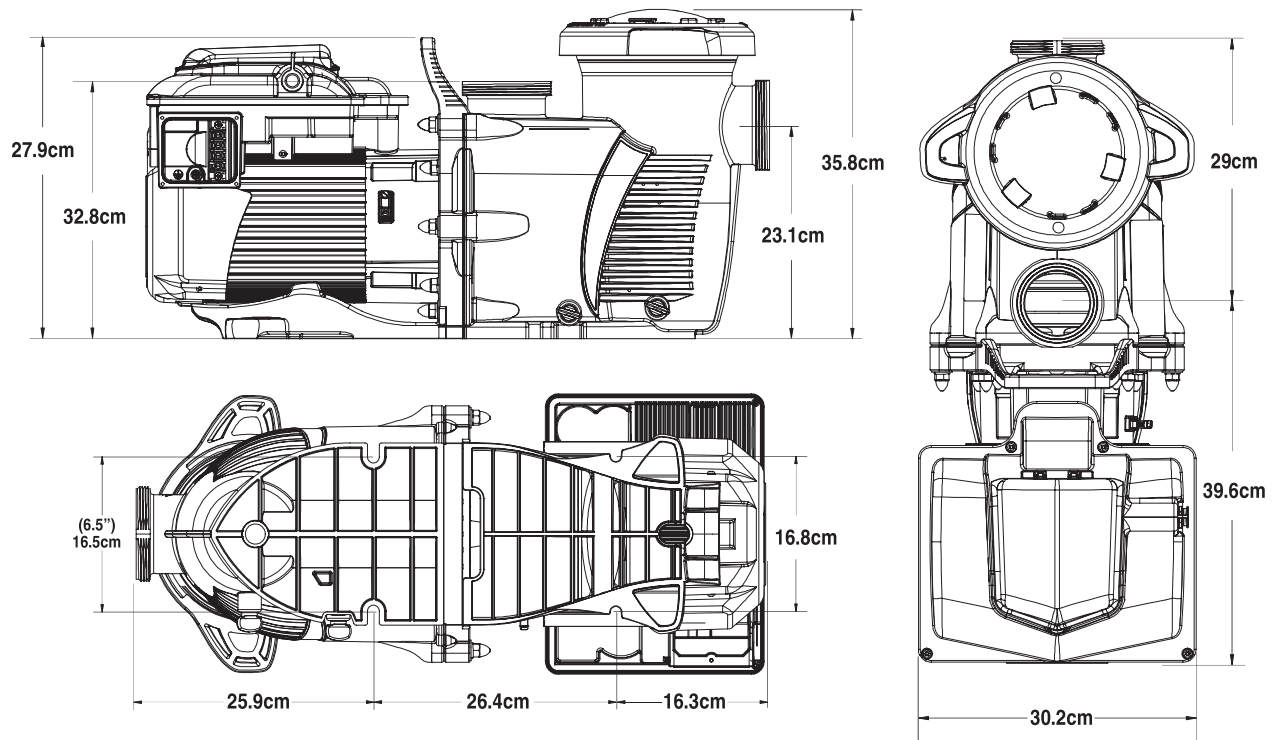
MAX-E-PRO XF VS 5HP

5HP COMMERCIAL VARIABLE SPEED POOL PUMP

PERFORMANCE



DIMENSIONS*



*All dimensions in mm.

5PSP SERIES

COMMERCIAL HIGH PERFORMANCE POOL PUMPS



FEATURED HIGHLIGHTS:

- New improved design and additional 12.5Hp model.
- Especially designed for swimming pool, aquatic and aquaculture applications.
- Seawater approved up to 4% salt concentration.
- Large pre-filter.
- Injection molded components of high quality glass-reinforced thermoplastic.
- CE & TUV Approved, IP55 protected, IE2 compliant TEFC motor.
- Corrosion resistant, high grade stainless steel motor shaft.
- Metric and imperial connections available.
- High chemical resistance with all metal internal components being stainless steel.
- 4"/100mm suction, 3"/80mm discharge (4"/100mm discharge on 7.5, 10 and 12hp).
- 1 year commercial warranty.*

PENTAIR Thermoplastic Centrifugal Pumps are self priming, single stage, close-coupled (Pump with built-in electric motor, with the motor drive and pump impeller on the same shaft), monoblock centrifugal pumps with closed impeller and mechanical seals.

These pumps are suitable for non-aggressive, non-explosive, clean or slightly contaminated liquids with low viscosity and specially designed for the pre-filtering and re-circulation of water in swimming pools, fish farming and other general purposes.

ORDERING INFORMATION

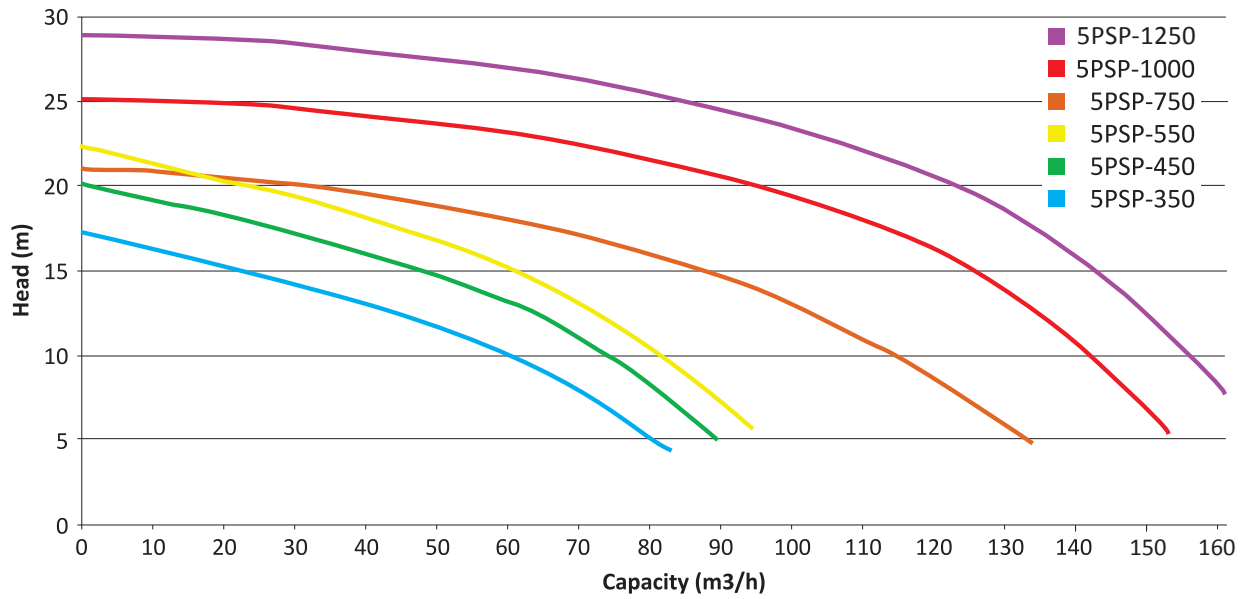
Part	Model	Voltage (VAC)	Max Phase Current (A)	Nominal Power (hp)	Input Power (P ₁ , kW)	Output Power (P ₂ , kW)	Noise dBA @1m	Carton Dim. (mm)	Carton Weight (Kg.)
3-PHASE Y CONFIGURATION WITH PRE-FILTER									
5PSP-350-3U	5PSP 3.5hp With Strainer	400-415	7.1	3.5	2.68	2.27	64	860x375x600	30
5PSP-450-3U	5PSP 4.5hp With Strainer	400-415	9.7	4.5	3.66	3.14	69	860x375x600	41
5PSP-550-3U	5PSP 5.5hp With Strainer	400-415	11.2	5.5	4.28	3.67	72	860x375x600	41
3-PHASE Y/DELTA CONFIGURATION WITH PRE-FILTER									
5PSP-750-3V2U	5PSP 7.5hp With Strainer	400-415	17.6	7.5	6.71	5.90	75	960x450x770	84
5PSP-1000-3V2U	5PSP 10hp With Strainer	400-415	22.7	10	8.65	7.56	76	960x450x770	90
5PSP-1250-3V2U	5PSP 12.5hp With Strainer	400-415	28.5	12.5	11.25	10.0	77	960x450x770	94

*Terms and conditions apply

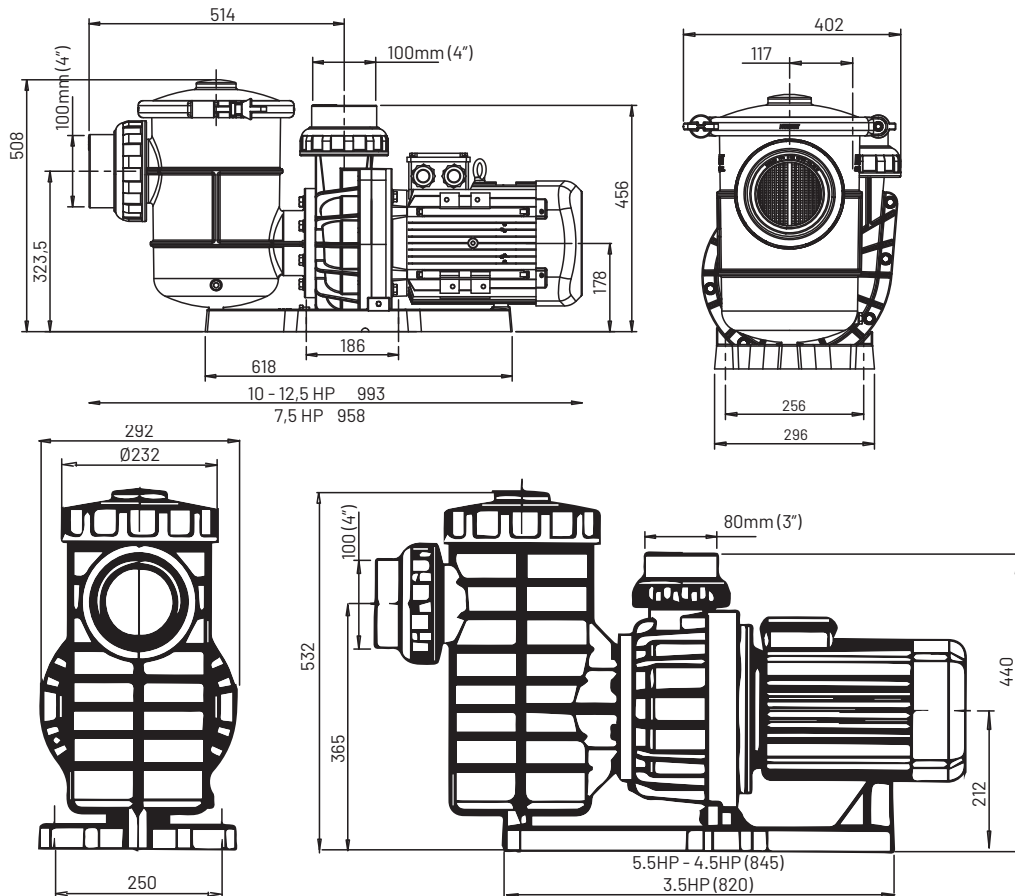
5PSP SERIES

COMMERCIAL HIGH PERFORMANCE POOL PUMPS

PERFORMANCE



DIMENSIONS*



*All dimensions in mm.

NOTES:

A series of horizontal dotted lines for taking notes.



POOL FILTERS

CLEAN & CLEAR PLUS FILTER

HIGH CAPACITY 'MEGA' CARTRIDGE FILTER



FEATURED HIGHLIGHTS:

- Large filter area for increased dirt capacity.
- 1-1/2 in, 100% drain clean-out port
- Continuous High Flow™ internal air relief.
- Injection molded, glass reinforced, polypropylene tank for superior strength.
- Balanced hydraulic flow
- Tension Control™ clamp
- 50mm barrel unions
- 1/4 Turn manual air relief valve with hose port.
- 10 year pro-rata warranty.*

Clean & Clear® Plus Filters have a corrosion resistant injection molded filter tank featuring superior strength and reliability. The cartridge assembly uses four easy to clean, non-woven, polyester cartridges. Each filter is supplied with a bulkhead union set for easy installation.

ORDERING INFORMATION

Model	Product	Effective Filtration Area (ft ² /m ²)	Max Flow Rate (LPM)	Turnover Capacity (In Litres)			Carton Dimensions (mm)	Carton Wt. (kg)	Pallet Qty.
				8 Hour	10 Hour	12 Hour			
CLEAN & CLEAR PLUS FILTERS									
160340	Clean and Clear Plus 320	320/31.6	454	218,040	272,550	327,060	558x571x990	31.8	8
160301	Clean and Clear Plus 420	420/39.0	568	272,550	340,687	408,825	558x571x1143	34.0	8
160332	Clean and Clear Plus 520	520/48.3	568	272,550	340,687	408,825	558x571x1270	37.6	4

REPLACEMENT CARTRIDGES

Product	Description	Carton Dim. (mm)	Carton Wt. (kg)	Pallet Qty
ACCESSORIES FOR CLEAN AND CLEAR PLUS FILTERS				
179134	Replacement Cartridge CNC Plus 320 4 pack	380x380x530mm	8	12
179135	Replacement Cartridge CNC Plus 420 4 pack	380x380x680mm	9.5	8
179136	Replacement Cartridge CNC Plus 520 4 pack	380x380x840mm	11	8

Integrated continuous High Flow internal air relief is operational only when there is unobstructed flow in the circulating system.

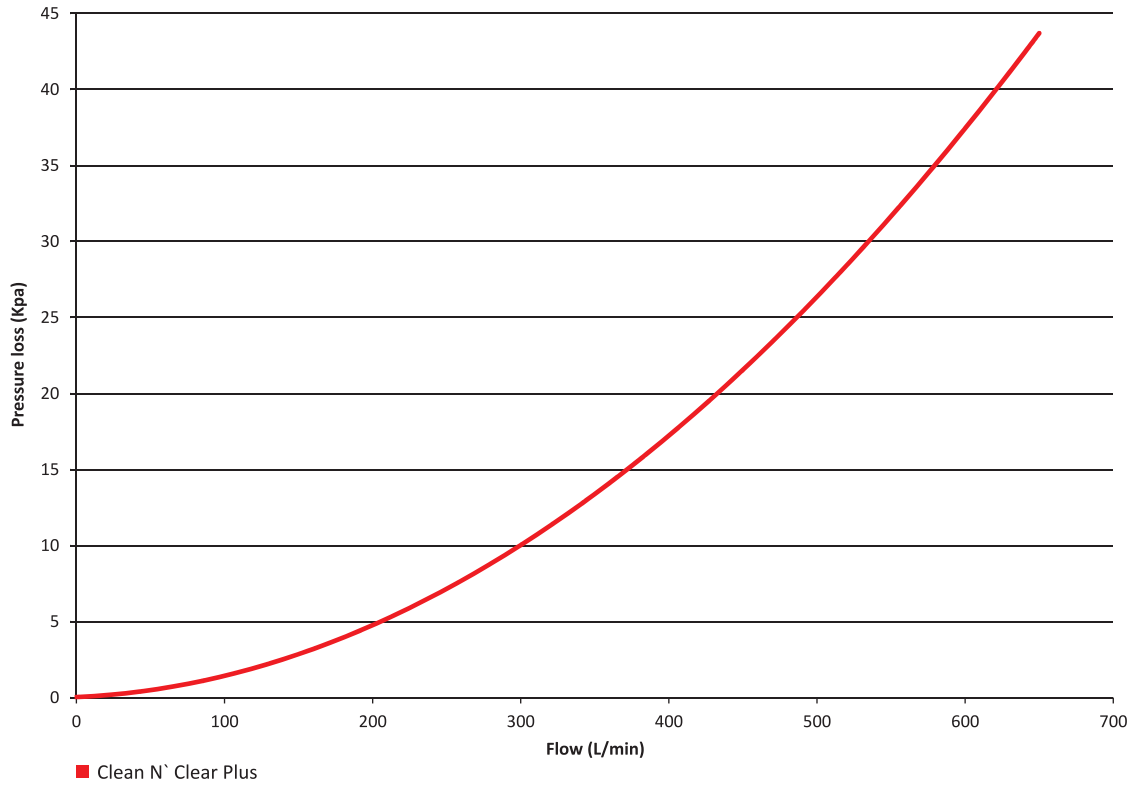
Note: Operating Limits – maximum continual operating pressure of 345kPa / 50psi. Pool/spa(bather) applications, maximum operating water temperature (internal filter) 40°C.

*Terms and conditions apply

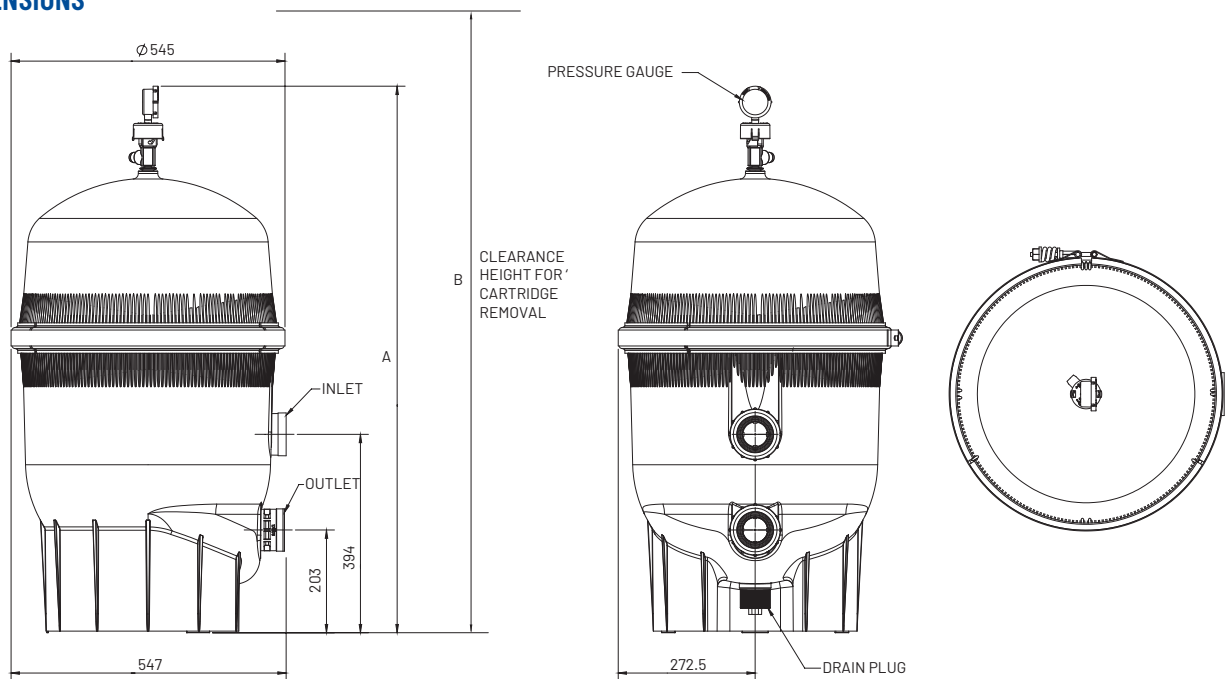
CLEAN & CLEAR PLUS FILTER

HIGH CAPACITY 'MEGA' CARTRIDGE FILTER

PERFORMANCE



DIMENSIONS*



Filter Model	160426	160427	160428	160429
A (mm)	940	1092	1245	1422
B (mm)	1422	1575	1727	1880

*All dimensions in mm.

POSI-CLEAR RP FILTER

RAISED PORT CARTRIDGE FILTER



FEATURED HIGHLIGHTS:

- Raised Port - Uses the whole height of cartridge.
- Raised Port - Cyclone effect flings larger particles out to simply drain away.
- Integrated continuous High Flow™ internal air relief.
- Chemical Resistant Tank Body.
- Lock ring with spring-loaded safety latches.
- Coreless cartridge for easy cleaning.
- 1" Drain and Wash Out.
- Single piece base and body design.
- 50mm / 2" unions included.
- Climate Care Certified
- 10 year pro-rata warranty.

The Posi-Clear RP filter is a pool filter which combines a cartridge and centrifugal energy filter into one package. The filter is designed with a raised and offset inlet port which creates a cyclone effect inside the filter that helps to move water through the filter element.

The inside of the filter body is fluted which helps to collect larger particles, which drop to the bottom of the filter tank, reducing the load on the element. This new design is up to 50% more efficient than standard cartridge filter, saving energy and requires less cleaning, saving water.

ORDERING INFORMATION

Model	Product	Effective Filtration Area (ft ² /m ²)	Max Flow Rate (LPM)	Turnover Capacity (In Litres)			Carton Dimensions (mm)	Carton Wt. (kg)	Pallet Qty.
				8 Hour	10 Hour	12 Hour			
CLEAN & CLEAR PLUS FILTERS									
160351	Posi-Clear RP 100 sq.ft.	100/9.3	380	182000	228000	273000	432x355x850	16.5	27
160352	Posi-Clear RP 150 sq.ft.	150/13.9	570	273000	342000	410000	432x355x1040	17.5	18
160350	Posi-Clear RP 200 sq.ft.	200/18.6	570	273000	342000	410000	432x355x1040	17.5	18

REPLACEMENT CARTRIDGES

Product	Description
ACCESSORIES	
ULTRA-C3	Replacement Cartridge Posi-Clear RP 100 sq ft
ULTRA-C4	Replacement Cartridge Posi-Clear RP 150 sq ft
ULTRA-C5	Replacement Cartridge Posi-Clear RP 200 sq ft

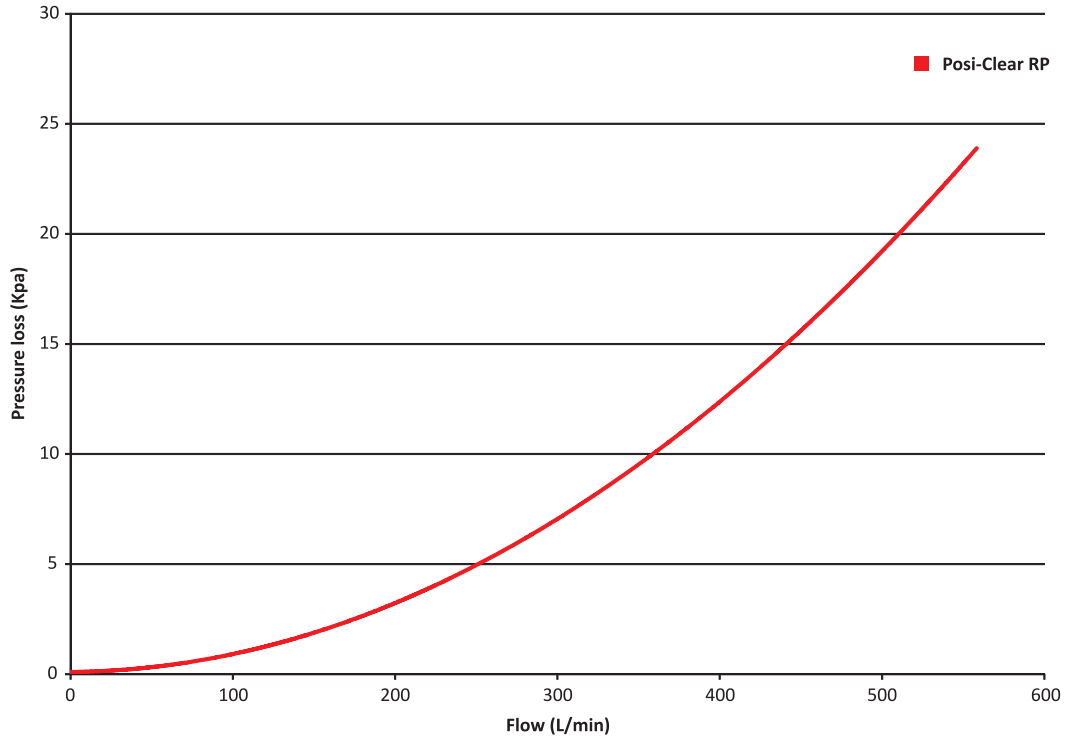
Note: Operating Limits – maximum continual operating pressure of 345kPa. Pool/spa (bather) applications, maximum operating water temperature (internal filter) 40°C.

*Terms and conditions apply

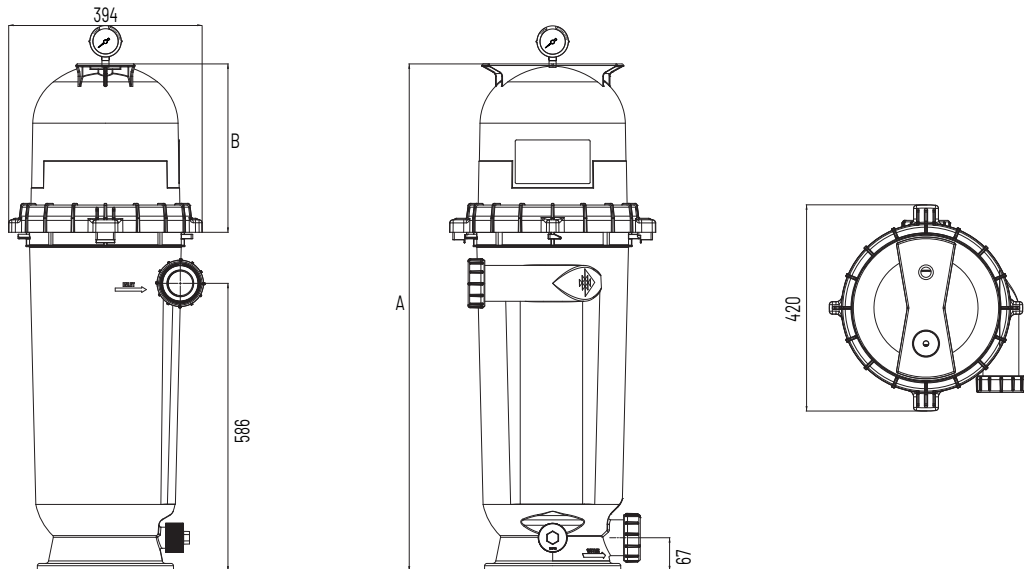
POSI-CLEAR RP FILTER

RAISED PORT CARTRIDGE FILTER

PERFORMANCE



DIMENSIONS*



Filter Model	160351	160352	160350
A (mm)	838	1029	1029
B (mm)	152	343	343
Clearance Required	1549	1930	1930

*All dimensions in mm.

FREEFLO CARTRIDGE FILTER

HIGH PERFORMANCE CARTRIDGE FILTER



FEATURED HIGHLIGHTS:

- Built from highly durable UV resistant plastics.
- Lid and locking ring have large handles for easy grip.
- 2 inlet ports and 2 outlet ports, 90 degrees opposed allows fitting to any plumbing configuration.
- 40mm and 50mm barrel unions included.
- Small footprint.
- Stainless steel, oil-filled, pressure gauge.
- Internal bypass valve prevents exceedingly high pressures.
- 5 year limited warranty*.

The FreeFlo Cartridge filter combines top-end filter performance with with low maintenance. This dependable design uses special filter elements to strip tiny particles from your pool water...particles as small as 8 microns. (An average grain of beach sand is 1,000 microns!) Plus, cleaning is a breeze. Open the top, remove the cartridge, hose it off and the FreeFlo filter is ready to go again.

ORDERING INFORMATION

Model	Product	Effective Filtration Area (ft ² /m ²)	Max Flow Rate (LPM)	Carton Dimensions (mm)	Carton Wt. (kg)	Pallet Qty.
FREEFLO FILTERS						
FFCF-075	FreeFlo Cartridge Filter 75 sq ft	75 / 7	280	320x320x900	10.2	12
FFCF-100	FreeFlo Cartridge Filter 100 sq ft	100 / 9.3	380	320x320x900	11.8	9
FFCF-150	FreeFlo Cartridge Filter 150 sq ft	150 / 13.9	550	320x320x1100	13.4	9
FFCF-200	FreeFlo Cartridge Filter 200 sq ft	200 / 18.6	680	320x320x1300	15.7	9

REPLACEMENT CARTRIDGES

Product	Description	Carton Dim(mm).	Carton Wt. (kg)	Ctn Qty.
ACCESSORIES FOR FREEFLO FILTERS				
800750	Replacement Cartridge FFCF 75 sq ft	185x185x545	3.2	1
800760	Replacement Cartridge FFCF 100 sq ft	185x185x545	4.8	1
800761	Replacement Cartridge FFCF 150 sq ft	185x185x725	6.4	1
800762	Replacement Cartridge FFCF 200 sq ft	185x185x905	7.7	1

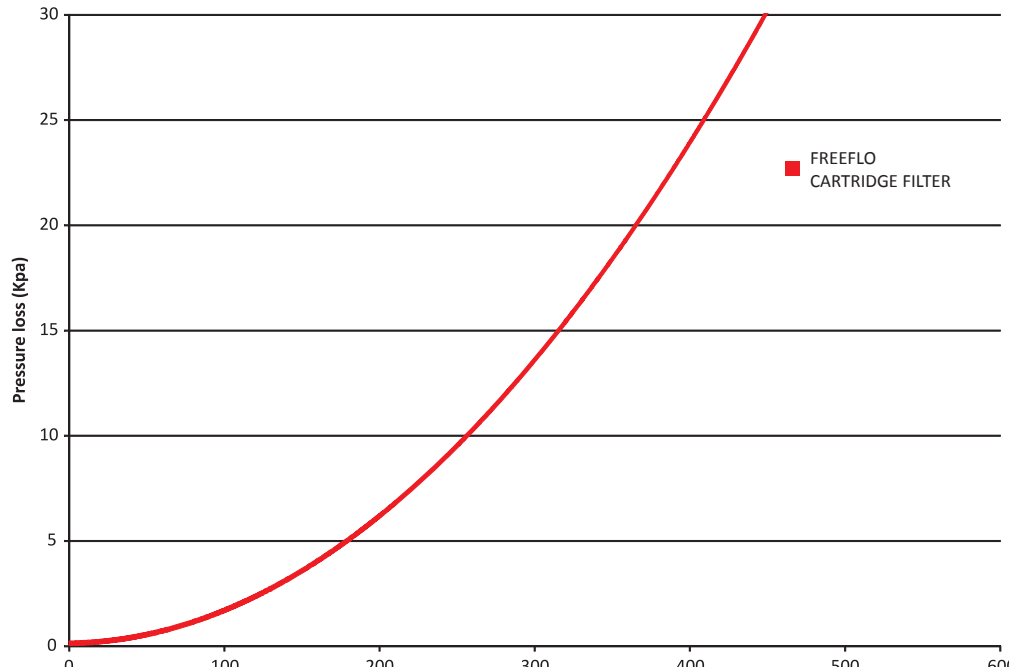
Note: Operating Limits – maximum continual operating pressure of 250kPa. Pool/spa (bather) applications, maximum operating water temperature (internal filter) 40°C.

*Terms and conditions apply

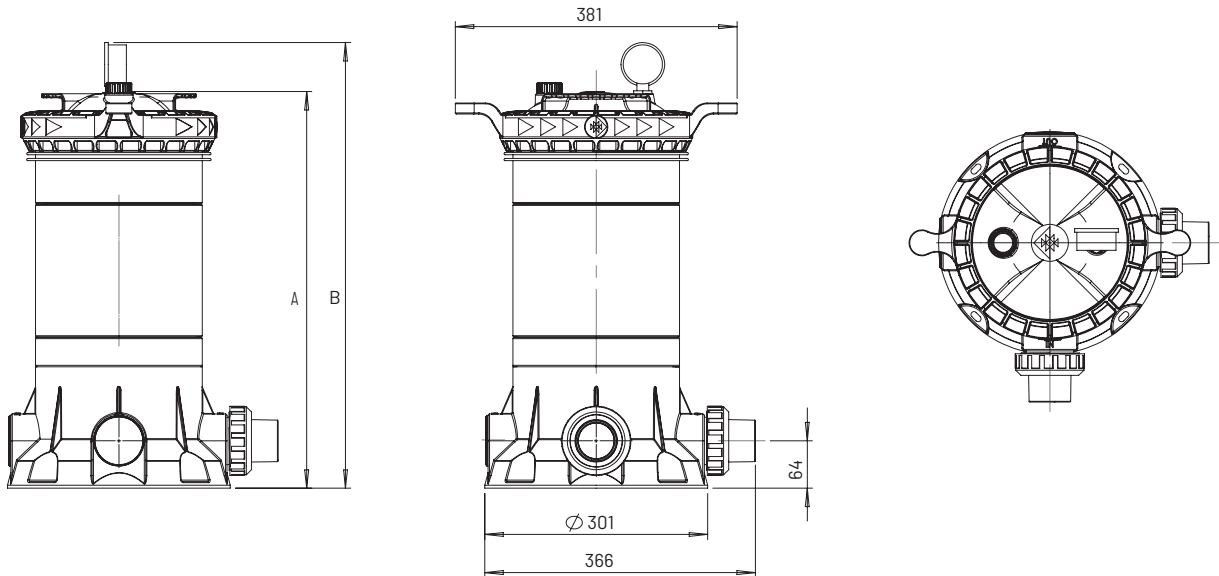
FREEFLO CARTRIDGE FILTER

HIGH PERFORMANCE CARTRIDGE FILTER

PERFORMANCE



DIMENSIONS*



Filter Model	FFCF-075	FFCF-100	FFCF-150	FFCF-200
A (mm)	715	715	895	1075
B (mm)	782	782	962	1142

*All dimensions in mm.

TRITON II SAND FILTER

FIBREGLASS TANK SAND FILTER SIDE-MOUNT MPV



FEATURED HIGHLIGHTS:

- Heavy-duty closure provides easy inspection, and features an easy-to-read pressure gauge with air relief valve
- Swing-away diffuser allows instant access to sand and all internal parts
- All internal parts are threaded for ease of service
- Internal air bleed
- Bulkhead connectors are threaded for easy installation and service
- Combination sand and water drain makes servicing and winterizing fast and easy
- Maximum Operating Pressure 345 kpa
- 10 year pro-rata warranty.*

The original and still the industry standard. Our process creates a one-piece, fiberglass reinforced tank with UV resistant surface finish for years of unequalled strength and durability. This method locks in fiberglass, preventing fibers from 'blooming' under harsh conditions.

ORDERING INFORMATION

Product	Model	Effective Filtration Area (Sq. M.)	Min Flow ¹ Rate (LPM)	Max Flow Rate (LPM Res)	Max Flow Rate (LPM Comm)	Turnover Capacity (In L - Res)			Ctn Dim. (mm)	Ctn Wt. (Kg.)	Pallet Qty.
						8 Hour	10 Hour	12 Hour			
TRITON II SAND FILTERS WITH HI FLOW MULTI-PORT VALVE											
140210V	TR100 Triton 30" Sand Filter	4.91 / 0.46	275	371	281	178,080	222,600	267,120	800x800x952	29.5	2
140243V	TR140 Triton 36" Sand Filter	7.06 / 0.66	395	534	402	256,320	320,400	384,480	1003x1003x1054	34	2

HIFLOW™ VALVE



Included with Triton filters, the side mounted HiFlow valve is designed for maximum performance and working pressures. Available in 50.8mm (2 in.) slip models.

FEATURED HIGHLIGHTS:

- PVC body
- Large, one-piece handle for trouble-free operation
- Six-position, positive-lock operation
- Noryl heavy-duty diverter
- 50mm (2 in.) ports for unrestricted flow
- Specific Valves for D.E. and sand applications
- Special winterizing position

¹ Minimum flow rate required to effectively backwash filter.

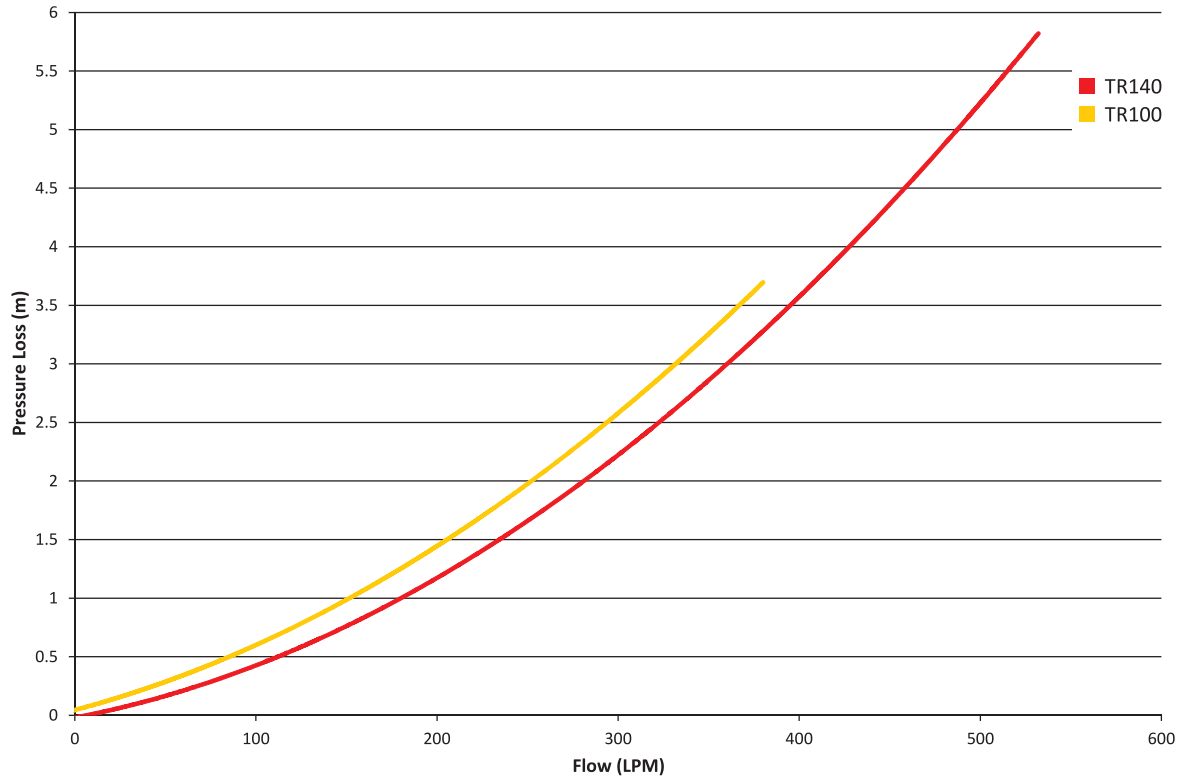
Note: Operating Limits - maximum continual operating pressure of 345kPa/50psi. Pool/spa (bather) applications, maximum operating water temperature (internal filter) 40°C.

*Terms and conditions apply

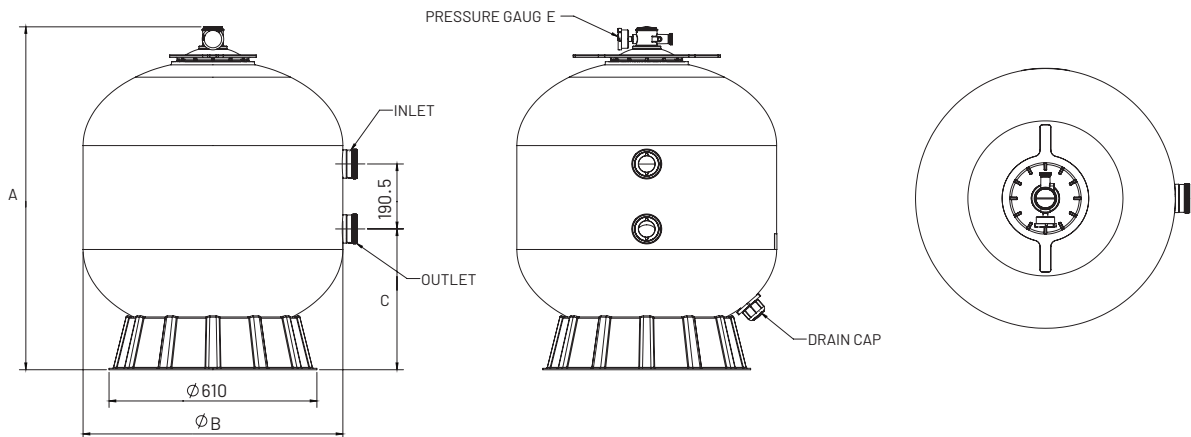
TRITON II SAND FILTER

FIBREGLASS TANK SAND FILTER SIDE-MOUNT MPV

PERFORMANCE



DIMENSIONS*



DIMENSIONS (mm)				
Model	A	B	C	Vertical Clearance
TR100	1010	775	413	1060
TR140	1150	927	476	1200

FILTER MEDIA (kg)					
Model	All Sand	Mixed		Glass	
		Sand	Pea Gravel	Fine	Coarse
TR100	273	205	68	150	90
TR140	420	68	125	240	135

*All dimensions in mm.

TAGELUS SAND FILTER

FIBREGLASS TANK SAND FILTER TOP MOUNT MPV



FEATURED HIGHLIGHTS:

- Special lateral design provides superior flow characteristics and long filter cycles for economical operation
- Maximum Operating Pressure 345kPa / 50psi
- Combination water and sand drain makes servicing and winterizing fast and easy
- 50 and 60D models standard with plastic clamp
- 10 year pro-rata warranty.*

Our process creates a one-piece, fibreglass reinforced tank with superior strength and durability. Tagelus® filters are equipped with a six-position, clamp style, top-mounted multiport valve and barrel unions.

ORDERING INFORMATION

Model	Product	Effective Filter Area (ft ² / m ²)	Min Flow Rate ¹ (LPM)	Max Flow Rate (LPM)	Turnover Capacity (In Litres)			Carton Dim. (mm)	Carton Wt. (kg)	Pallet Qty.
					8 Hour	10 Hour	12 Hour			
TAGELUS FILTERS										
140217	TA60D Tagelus Sand Filter 24"	3.1 / 0.3	170	228	109,440	136,275	163,530	635x635x1041	15.4	8
145284	TA60D Tagelus Sand Filter 24" with 2" MPV	3.1/0.3	170	250	120,000	150,000	180,000	635x635x1041	17.3	8
140218	TA100D Tagelus Sand Filter 30"	4.9 / 0.5	280	379	181,699	227,125	272,550	787x787x1193	31.3	2

¹ Minimum flow rate required to effectively backwash filter.

Product	Description	Carton Dim. (mm)	Carton Wt. (kg)	Pallet Qty.
ACCESSORIES FOR TAGELUS FILTERS				
262506	1.5" MPV for TA50D and TA60D Filters	228x406x215	2.7	125
261185	2.0" MPV for TA100D Filter	228x228x368	3.8	125

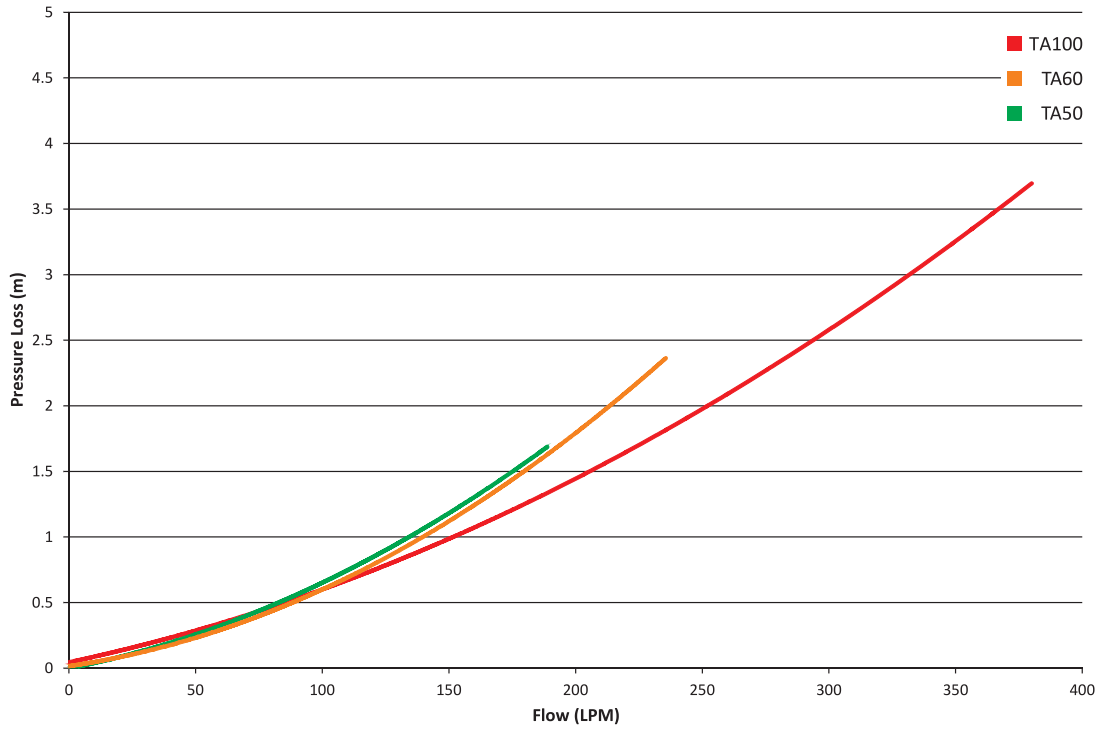
Note: Operating Limits – maximum continual operating pressure of 345kPa/50psi. Pool/spa (bather) applications, maximum operating water temperature (internal filter) 40°C.

*Terms and conditions apply

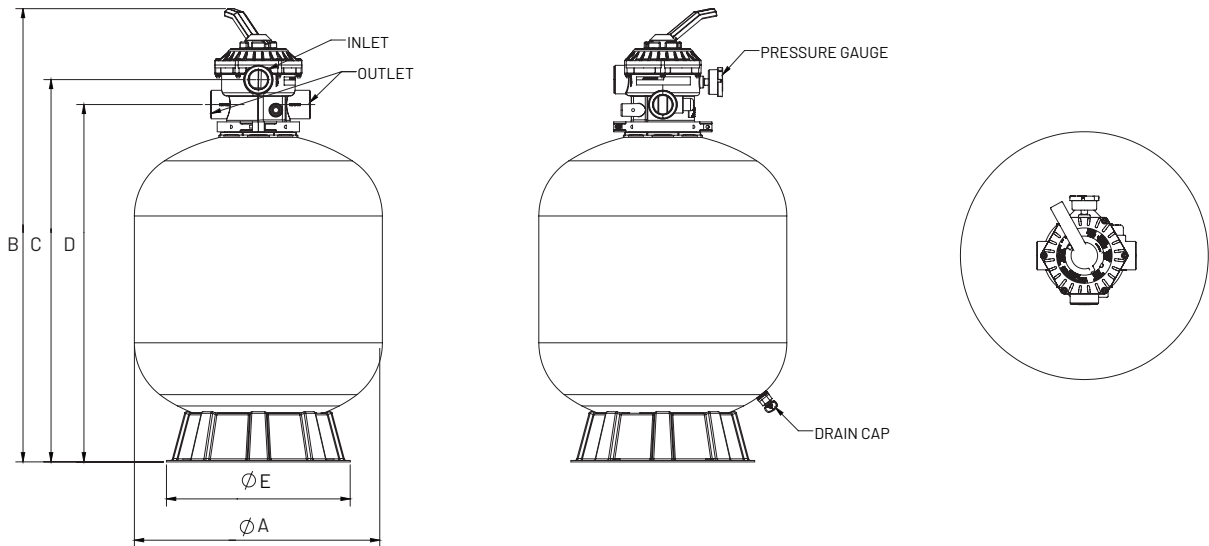
TAGELUS SAND FILTER

FIBREGLASS TANK SAND FILTER TOP MOUNT MPV

PERFORMANCE



DIMENSIONS*



DIMENSIONS (mm)					
Model	A	B	C	D	E
TA 60D	622	1080	925	896	400
TA 100D	775	1200	1068	987	610

FILTER MEDIA (kg)			
Model	Sand	Glass	
		Fine	Coarse
TA 60D	148	90	45
TA 100D	273	150	90

*All dimensions in mm.

PANTERA SAND FILTER

POLYMER TANK SAND FILTER TOP MOUNT MPV



FEATURED HIGHLIGHTS:

- Under-drain laterals - Designed to give you maximum performance, the water filters down through the entire bed of sand to give superior filtration for sparkling clean water.
- Stainless steel filter clamp.
- Large in-line sight glass.
- 6 position multi-port valve with durable seals and gaskets.
- Includes MPV and barrel unions.
- 10 year pro-rata warranty.*

Our process creates a one-piece, roto-moulded tank with superior strength and durability. Sizes from 21" up to 33" to meet any pool size. Pantera® filters are equipped with a six-position, clamp style, top-mounted multiport valve.

ORDERING INFORMATION

Model	Product	Effective Filter Area (ft ² / m ²)	Min Flow Rate ¹ (LPM)	Max Flow Rate (LPM)	Turnover Capacity (In Litres)			Carton Dim(mm).	Carton Wt. (Kg)	Pallet Qty.
					8 Hour	10 Hour	12 Hour			
PANTERA FILTERS										
P221100	P21 Pantera 21" Sand Filter 40mm MPV	2.2 / 0.2	125	165	79,200	99,000	118,800	560x560x650	17	8
P225100	P25 Pantera 25" Sand Filter 40mm MPV	3.2 / 0.3	175	235	112,800	141,000	169,200	660x660x770	24	8
P229200	P29 Pantera 29" Sand Filter 50mm MPV	4.3 / 0.4	240	320	153,600	192,000	230,400	770x760x830	35	4
P233200	P33 Pantera 33" Sand Filter 50mm MPV	5.6 / 0.5	310	415	199,200	249,000	298,800	860x860x920	42	2

¹ Minimum flow rate required to effectively backwash filter.

Product	Description	Carton Dim. (mm)	Carton Wt. (kg)	Pallet Qty.
ACCESSORIES FOR PANTERA SAND FILTERS				
SR14965-A003	1.5" MPV for Pantera 21" & 29" Filters	310x250x230	3.4	64
SR14971-TM-22-L	2.0" MPV for Pantera 29" & 33" Filters	330x240x240	3.3	52

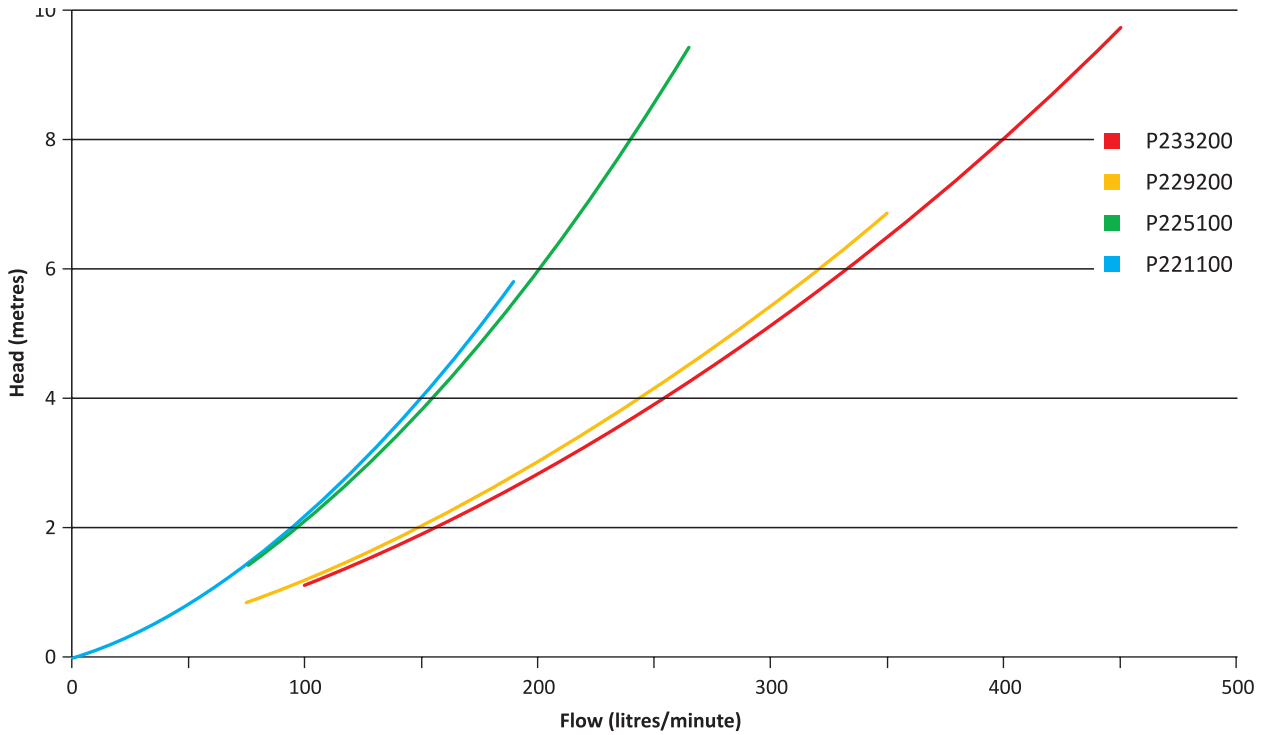
Note: Operating Limits - maximum continual Operating pressure of 280kPa.
Maximum operating water temperature (internal filter) 38°C

*Terms and conditions apply

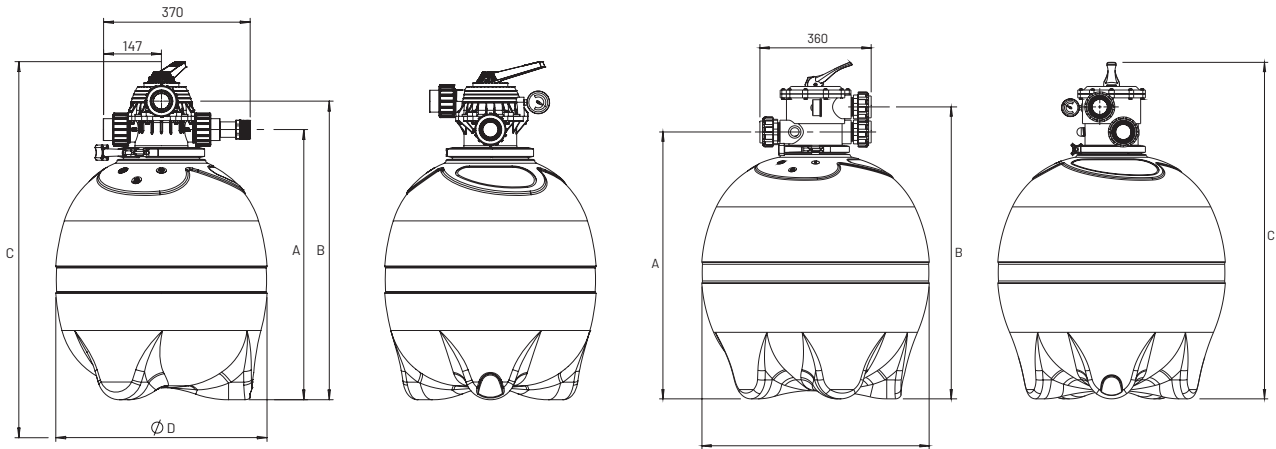
PANTERA SAND FILTER

POLYMER TANK SAND FILTER TOP MOUNT MPV

PERFORMANCE



DIMENSIONS*



DIMENSION (mm)				
Model	A	B	C	D
P221100	685	755	840	535
P225100	805	875	960	635
P229200	858	940	1090	735
P233200	938	1020	1170	835

FILTER MEDIA (kg)				
Model	Sand	Zeolite	Glass	
			Fine	Coarse
P221100	90	70	60	30
P225100	140	105	90	45
P229200	185	140	120	60
P233200	220	165	135	75

*All dimensions in mm.

LEISURETIME II SAND FILTER

FIBREGLASS TANK SAND FILTER TOP MOUNT MPV



FEATURED HIGHLIGHTS:

- Spun-woven, UV resistant fibreglass construction for exceptional strength, chemical resistance and long life.
- Six-function multi-port valve for easy control of all filter functions • Filter • Waste • Backwash • Closed • Rinse • Re-circulate
- Stainless Steel clamp for corrosion resistance and allows 360 degree rotation of multi-port valve to simplify installation.
- Includes MPV and barrel unions.
- New 40mm MPV with screw down lid
- 10 year pro-rata warranty.*

The Leisuretime II Fibreglass Sand Filter is the perfect high performance sand filter. It's incredibly simple to operate and maintain, and it's built with long-term reliability in mind. Plus, its highly efficient design provides all the clean, crystal clear water your pool requires year after year.

ORDERING INFORMATION

Model	Product	Effective Filter Area (ft ² / m ²)	Min Flow Rate ¹ (LPM)	Max Flow Rate (LPM)	Turnover Capacity (In Litres)			Carton Dim. (mm)	Carton Wt. (kg)	Pallet Qty.
					8 Hour	10 Hour	12 Hour			
LEISURETIME II FILTERS										
LSFII-21-40	Leisuretime II 21" Sand Filter 40mm MPV	2.1 / 0.22	120	185	88,800	111,000	133,200	540x540x890	16	8
LSFII-25-40	Leisuretime II 25" Sand Filter 40mm MPV	3.2 / 0.32	180	260	124,800	156,000	187,200	620x620x980	21.5	8
LSFII-25-50	Leisuretime II 25" Sand Filter 50mm MPV	3.2 / 0.32	180	270	129,600	162,000	194,400	620x620x1020	23	8
LSFII-28-50	Leisuretime II 28" Sand Filter 50mm MPV	4.1 / 0.41	230	345	165,600	207,000	248,400	730x730x830 + 290x290x400	27	2
LSFII-32-50	Leisuretime II 32" Sand Filter 50mm MPV	5.4 / 0.5	285	420	201,600	252,000	302,400	800x800x900 + 290x290x400	31	2

¹ Minimum flow rate required to effectively backwash filter.

Product	Description	Carton Dim.	Carton Wt. (kg)	Pallet Qty.
ACCESSORIES FOR LEISURETIME II SAND FILTERS				
88280150	1.5" MPV for Leisuretime II Sand Filters	290x290x400	3.5	48
88281506F	2.0" MPV for Leisuretime II Sand Filters	290x290x400	3.5	48

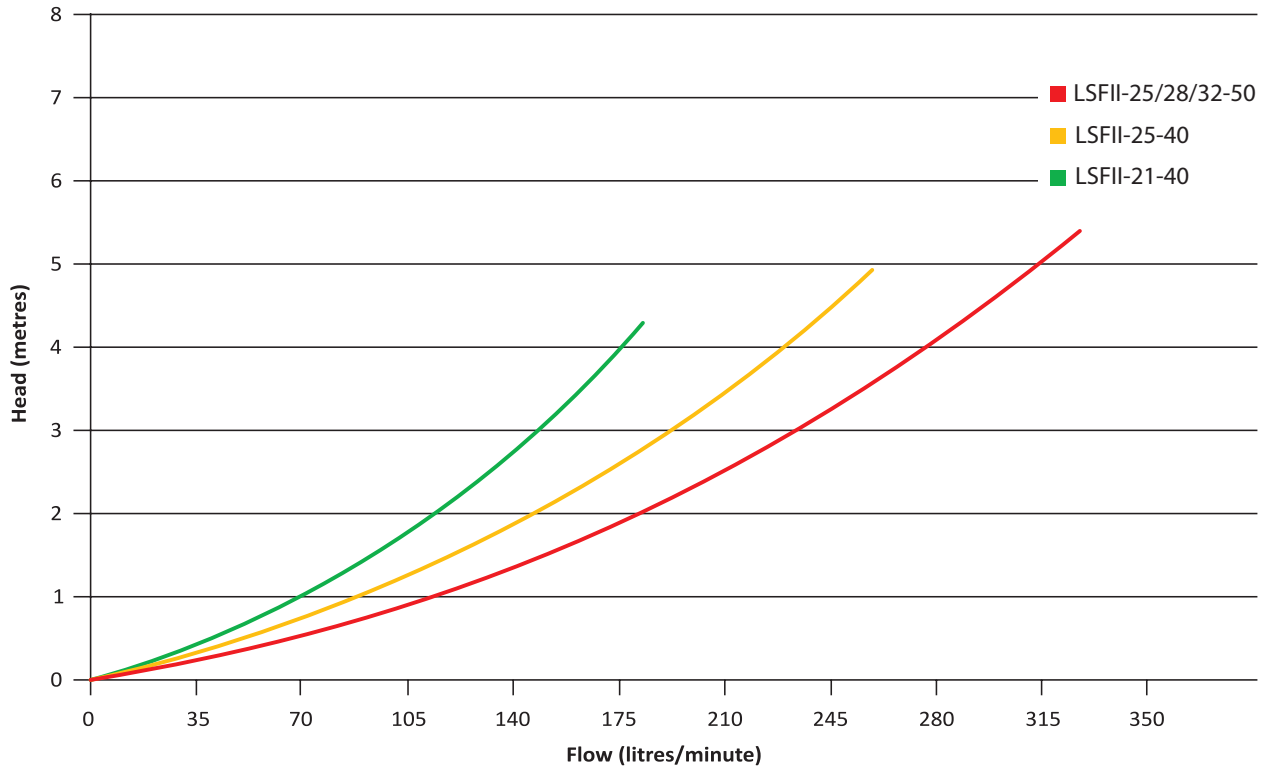
Note: Operating Limits - maximum continual Operating pressure of 250kPa. Maximum operating water temperature (internal filter) 43°C

*Terms and conditions apply

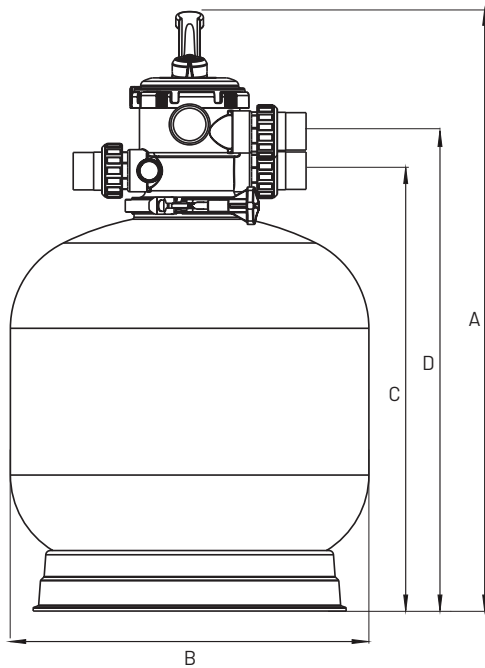
LEISURETIME II SAND FILTER

FIBREGLASS TANK SAND FILTER TOP MOUNT MPV

PERFORMANCE



DIMENSIONS*



DIMENSION				
Model	A	B	C	D
LSFII-21-40	875mm	535mm	670mm	730mm
LSFII-25-40	980mm	635mm	775mm	835mm
LSFII-25-50	985mm	635mm	780mm	840mm
LSFII-28-50	1050mm	723mm	877mm	960mm
LSFII-32-50	1200mm	800mm	1002mm	1085mm

FILTER MEDIA (kg)				
Model	Sand	Zeolite	Glass	
			Fine	Coarse
LSFII-21-40	85	70	45	30
LSFII-25-40	145	105	75	45
LSFII-25-50	145	105	75	45
LSFII-28-50	210	165	120	60
LSFII-32-50	355	270	225	90

*All dimensions in mm.

FREEFLO SAND FILTER

POLYMER TANK SAND FILTER TOP MOUNT MPV



FEATURED HIGHLIGHTS:

- UV resistant fibreglass construction for exceptional strength, chemical resistance and long life.
- Six-function multi-port valve for easy control of all filter functions • Filter • Waste • Backwash • Closed • Rinse • Re-circulate
- Includes MPV and barrel unions.
- 5 year pro-rata warranty.*

FreeFlo™ Sand Filters are made of tough, UV-resistant, polyethylene tanks for Australia's harsh conditions. Designed for high performance and durability, FreeFlo™ sand filters will deliver years of trustworthy service. FreeFlo™ sand filters offer exceptional value for money.

ORDERING INFORMATION

Model	Product	Effective Filter Area (ft ² / m ²)	Min Flow Rate ¹ (LPM)	Max Flow Rate (LPM)	Turnover Capacity (In Litres)			Carton Dim. (mm)	Carton Wt. (kg)	Pallet Qty.
					8 Hour	10 Hour	12 Hour			
LEISURETIME II FILTERS										
FFSF-21-40	FreeFlo 21" Sand Filter 40mm MPV	2.4 / 0.22	120	180	86,400	108,000	129,600	540x540x890	16	8
FFSF-25-40	FreeFlo 25" Sand Filter 40mm MPV	3.3 / 0.31	180	255	122,400	153,000	183,600	620x620x980	21.5	8
FFSF-25-50	FreeFlo 25" Sand Filter 50mm MPV	3.3 / 0.31	180	270	129,600	162,000	194,400	620x620x1020	23	8
FFSF-28-40	FreeFlo 28" Sand Filter 40mm MPV	4.2 / 0.39	230	320	153,600	192,000	230,400	730x730x830 + 290x290x400	25.5	2
FFSF-28-50	FreeFlo 28" Sand Filter 50mm MPV	4.2 / 0.39	230	340	163,200	204,000	244,800	730x730x830 + 290x290x400	27	2

¹ Minimum flow rate required to effectively backwash filter.

Product	Description	Carton Dim.	Carton Wt. (kg)	Pallet Qty.
ACCESSORIES FOR LEISURETIME II SAND FILTERS				
88280150	1.5" MPV for FreeFlo Sand Filters	290x290x400	3.5	48
88281506F	2.0" MPV for FreeFlo Sand Filters	290x290x400	3.5	48

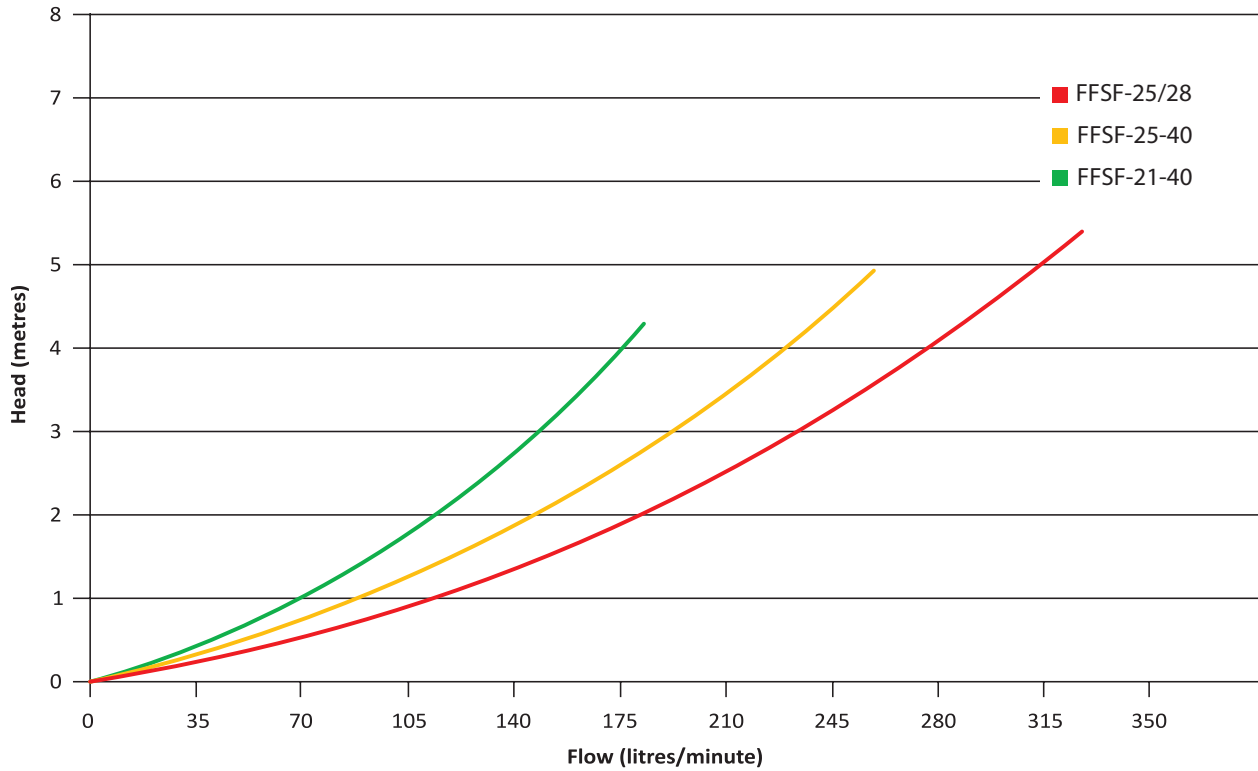
Note: Operating Limits - maximum continual Operating pressure of 250kPa. Maximum operating water temperature (internal filter) 35°C

*Terms and conditions apply

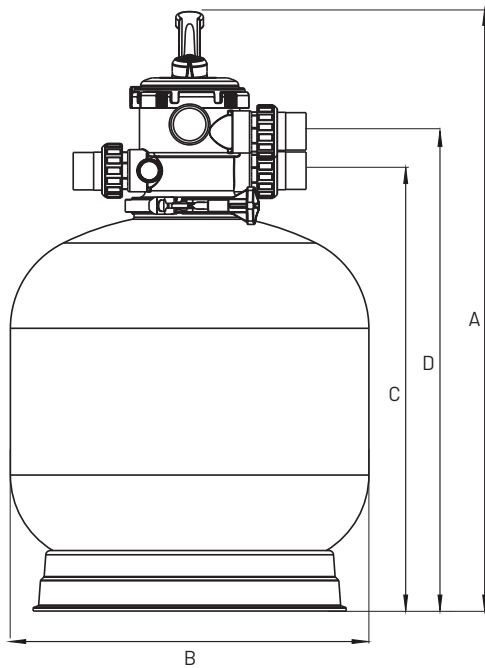
FREEFLO SAND FILTER

POLYMER TANK SAND FILTER TOP MOUNT MPV

PERFORMANCE



DIMENSIONS*



DIMENSION				
Model	A	B	C	D
FFSF-21-40	845	527	670	730
FFSF-25-40	950	627	775	835
FFSF-25-50	950	627	775	835
FFSF-28-40	1020	703	845	905
FFSF-28-50	1020	703	845	905

FILTER MEDIA (kg)				
Model	Sand	Zeolite	Glass	
			Fine	Coarse
FFSF-21-40	85	70	45	30
FFSF-25-40	145	105	75	45
FFSF-25-50	145	105	75	45
FFSF-28-40	210	165	120	60
FFSF-28-50	210	165	120	60

*All dimensions in mm.

NOTES:

A series of horizontal dotted lines for taking notes.



POOL FILTERS

COMMERCIAL

FULLFLO XF FILTER

COMMERCIAL QUAD CARTRIDGE FILTER



FEATURED HIGHLIGHTS:

- Large filter area for increased dirt capacity.
- Enhanced internal design and balanced flow enable 25% greater energy efficiency and lower operating cost.
- Injection molded, glass reinforced, polypropylene tank for superior strength.
- Balanced hydraulic flow
- Tension Control™ clamp
- 80mm barrel unions
- 1/4 Turn manual air relief valve with hose port.
- 10 year pro-rata warranty.*

Pools boasting more splash for the pad or more flair in the flow need filters that not just rise to the challenge, but geyser to it. Enter FullFlo: The FullFloXF commercial pool filters offer optimum filtration efficiency, easy maintenance and longer runs between cleanings—keeping even the largest, splashiest pools sparkling-clear at a lower operating cost.

ORDERING INFORMATION

Model	Product	Effective Filtration Area (ft ² /m ²)	Max Flow Rate (LPM)	Carton Dimensions (mm)	Carton Wt. (kg)	Pallet Qty.
FullFlo XF FILTERS						
160448	FullFlo XF C620 Cartridge Filter	620 / 57.6	681	570x570x1350	46.3	4
410009	Sweep Elbow for XF Pump connection	-	-	310x420x120	0.8	-

REPLACEMENT CARTRIDGES

Product	Description	Carton Dim. (mm)	Carton Wt. (kg)	Pallet Qty
ACCESSORIES FOR CLEAN AND CLEAR PLUS FILTERS				
170102Z	Replacement Cartridge XF C620			

Integrated continuous High Flow internal air relief is operational only when there is unobstructed flow in the circulating system.

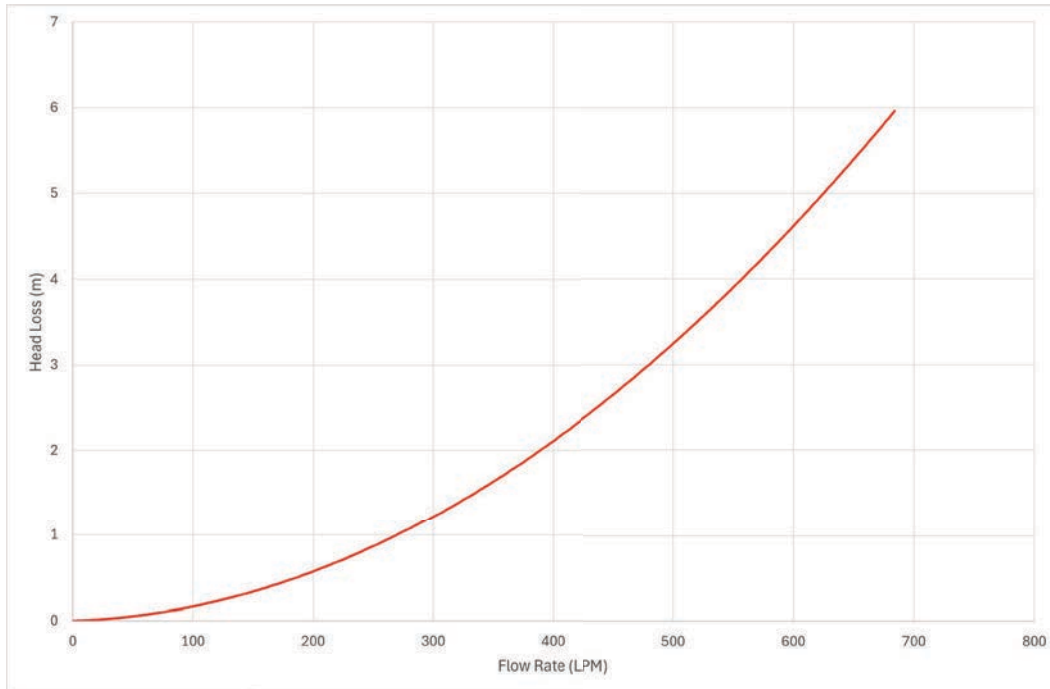
Note: Operating Limits – maximum continual operating pressure of 345kPa / 50psi. Pool/spa (bather) applications, maximum operating water temperature (internal filter) 40°C.

*Terms and conditions apply

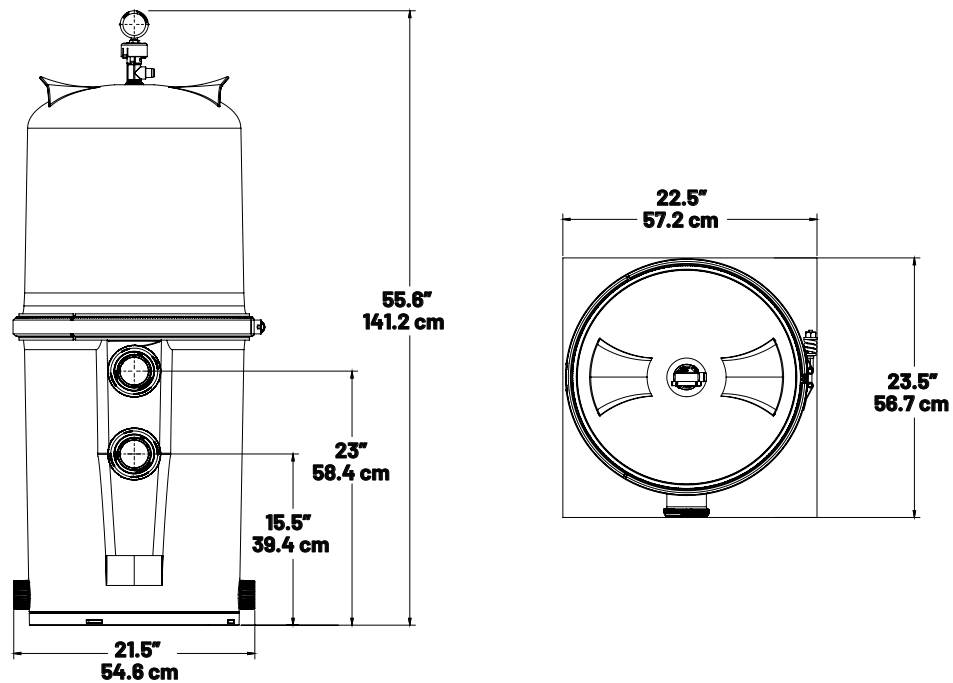
FULLFLO XF FILTER

COMMERCIAL QUAD CARTRIDGE FILTER

PERFORMANCE



DIMENSIONS*



*All dimensions in mm.

PWT-V COMMERCIAL FILTER

FIBREGLASS TANK WITH TOP MOUNT MPV



FEATURED HIGHLIGHTS:

- Spun-woven, UV resistant fiberglass construction for exceptional strength, chemical resistance and long life.
- Max Operating Pressure 250kPa.
- Dual layers of Laterals.
- Hybrid 65mm/2.5" MPV with 80mm/3" barrel unions.
- 5 year commercial warranty (pro-rata).*

The Pentair V Series satisfies the demand of different water treatment including pools installed with in-floor cleaning systems, spas, fountains and public swimming pools. The bobbin-wound fiberglass reinforced tank is the most popular standard in the industry. UV resistant and equipped with a six-position multi-port valve.

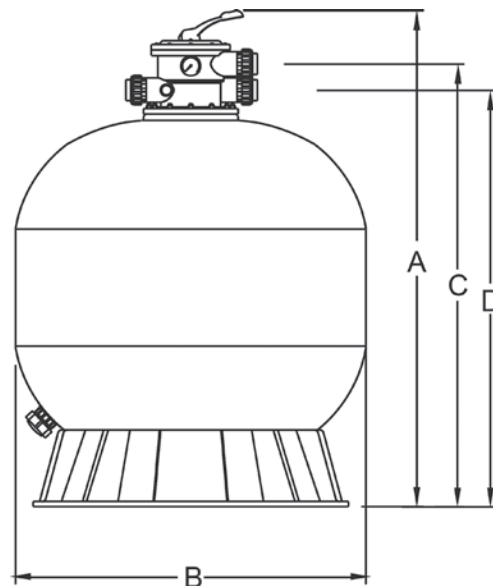
ORDERING INFORMATION

Model	Product	Effective Filter Area (m ²)	Valve Conn. (in.)	Max Flow Rate (m ³ /hr)	Backwash Flow Rate (m ³ /hr)	Sand Req'd (kg)	Gross Wt. (kg)
SIDE-MOUNT FLANGED FILTERS							
PWT-V-09-50	Vertical Filter Top-Mount Filter 0.9m dia. with MPV	0.64	2"/50mm	31.2	22.4	470	90
PWT-V-10-80	Vertical Filter Top-Mount Filter 1.0m dia. with MPV	0.79	3"/80mm	39.5	27.6	620	102
PWT-V-12-80	Vertical Filter Top-Mount Filter 1.2m dia. with MPV	1.13	3"/80mm	56.5	39.5	860	114

Model	Glass Fine (kg)	Glass Coarse (kg)
TOP-MOUNT MPV FILTERS		
PWT-V-09-50	315	105
PWT-V-10-80	420	135
PWT-V-12-80	570	195

DIMENSIONS

Model	A (mm)	B (mm)	C (mm)	D (mm)
TOP-MOUNT MPV FILTERS				
PWT-V-09-50	1300	900	1172	1090
PWT-V-10-80	1434	1000	1410	1160
PWT-V-12-80	1634	1200	1620	1368



*Terms and conditions apply

PWT-S COMMERCIAL FILTER

FIBREGLASS TANK WITH TOP MOUNT MPV



FEATURED HIGHLIGHTS:

- Spun-woven, UV resistant fibreglass construction for exceptional strength, chemical resistance and long life.
- Max Operating Pressure 250kPa.
- Dual layers of Laterals.
- 2.5" (65mm) Barrel union connections.
- 5 year commercial warranty (pro-rata).*

The Pentair S Series satisfies the demand of different water treatment including pools installed with in-floor cleaning systems, spas, fountains and public swimming pools. The bobbin-wound fibreglass reinforced tank is the most popular standard in the industry. UV resistant and equipped with a six-position multi-port valve.

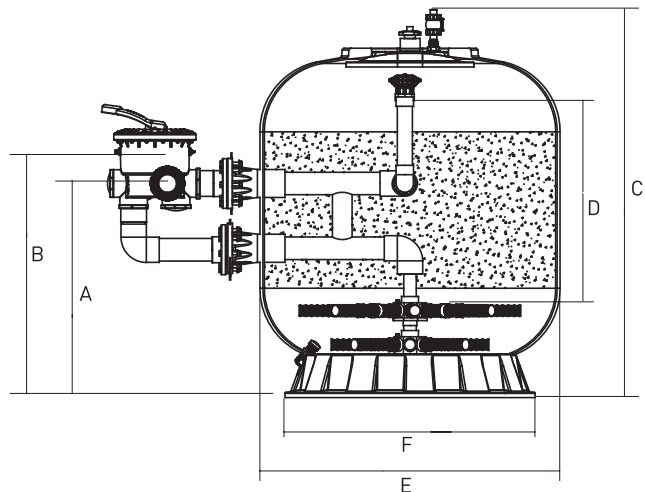
ORDERING INFORMATION

Model	Product	Effective Filter Area (m ²)	Valve Conn. (in.)	Max Flow Rate (m ³ /hr)	Backwash Flow Rate (m ³ /hr)	Sand Req'd (kg)	Gross Wt. (kg)
SIDE-MOUNT MPV FILTERS							
PWT-S-10-30	Side-Mount Filter 1.0m dia. 80mm MPV	0.82	3" /80mm	41	29	620	102
PWT-S-12-30	Side-Mount Filter 1.2m dia. 80mm MPV	1.17	3" /80mm	59	41	860	114

Model	Glass Fine (kg)	Glass Coarse (kg)
SIDE-MOUNT MPV FILTERS		
PWT-S-10-30	420	135
PWT-S-12-30	570	195

DIMENSIONS*

Model	A (mm)	B (mm)	C (mm)	D (mm)	E (mm)	F (mm)
SIDE-MOUNT MPV FILTERS						
PWT-S-10-30	773	844	1220	480	1020	780
PWT-S-12-30	836	1079	1410	640	1220	1000



*All dimensions in mm.

PWT-SDB COMMERCIAL FILTER

DEEP BED FIBREGLASS TANK WITH SIDE-MOUNT MULTIPORT VALVE



FEATURED HIGHLIGHTS:

- Spun-woven, UV resistant fiberglass construction for exceptional strength, chemical resistance and long life.
- Max Operating Pressure 250kPa.
- Dual layers of Laterals.
- 4" Sight Glass.
- Manhole for servicing.
- 50mm / 2" Drain.
- 5 year commercial warranty (pro-rata).*

The Pentair Deep Bed Filters offer a more thorough filtration with a standard 1.0m or 1.2m deep sand bed. Giving high filtration performance for large domestic and commercial swimming pools.

ORDERING INFORMATION

Model	Product	Effective Filter Area (m ²)	Valve Conn. (in.)	Max Flow Rate (LPM)	Backwash Flow Rate (LPM)	Sand Req. (kg)	Carton Wt. (kg)
SIDE-MOUNT DEEP BED FILTERS 1M SAND BED							
PWT-SDB-10-07-20	Side-Mount Deep Bed Filter - 0.7m dia \ 1m Sand Bed \ 2" Vlv	0.38	2"	253	205	580	135
PWT-SDB-10-08-20	Side-Mount Deep Bed Filter - 0.8m dia \ 1m Sand Bed \ 2" Vlv	0.5	2"	333	270	769	170
PWT-SDB-10-09-20	Side-Mount Deep Bed Filter - 0.9m dia \ 1m Sand Bed \ 2" Vlv	0.63	2"	420	340	957	235
PWT-SDB-10-09-25	Side-Mount Deep Bed Filter - 0.9m dia \ 1m Sand Bed \ 2.5" Vlv	0.63	2.5"	525	340	957	240
PWT-SDB-10-10-20	Side-Mount Deep Bed Filter - 1.0m dia \ 1m Sand Bed \ 2" Vlv	0.78	2"	520	420	1204	284
PWT-SDB-10-10-25	Side-Mount Deep Bed Filter - 1.0m dia \ 1m Sand Bed \ 2.5" Vlv	0.78	2.5"	650	420	1204	290
SIDE-MOUNT DEEP BED FILTERS 1.2M SAND BED							
PWT-SDB-12-07-20	Side-Mount Deep Bed Filter - 0.7m dia \ 1.2m Sand Bed \ 2" Vlv	0.38	2"	253	205	696	150
PWT-SDB-12-08-20	Side-Mount Deep Bed Filter - 0.8m dia \ 1.2m Sand Bed \ 2" Vlv	0.5	2"	333	270	914	188
PWT-SDB-12-09-20	Side-Mount Deep Bed Filter - 0.9m dia \ 1.2m Sand Bed \ 2" Vlv	0.63	2"	420	340	1146	258
PWT-SDB-12-09-25	Side-Mount Deep Bed Filter - 0.9m dia \ 1.2m Sand Bed \ 2.5" Vlv	0.63	2.5"	525	340	1146	263
PWT-SDB-12-10-20	Side-Mount Deep Bed Filter - 1.0m dia \ 1.2m Sand Bed \ 2" Vlv	0.78	2"	520	420	1436	330
PWT-SDB-12-10-25	Side-Mount Deep Bed Filter - 1.0m dia \ 1.2m Sand Bed \ 2.5" Vlv	0.78	2.5"	650	420	1436	336

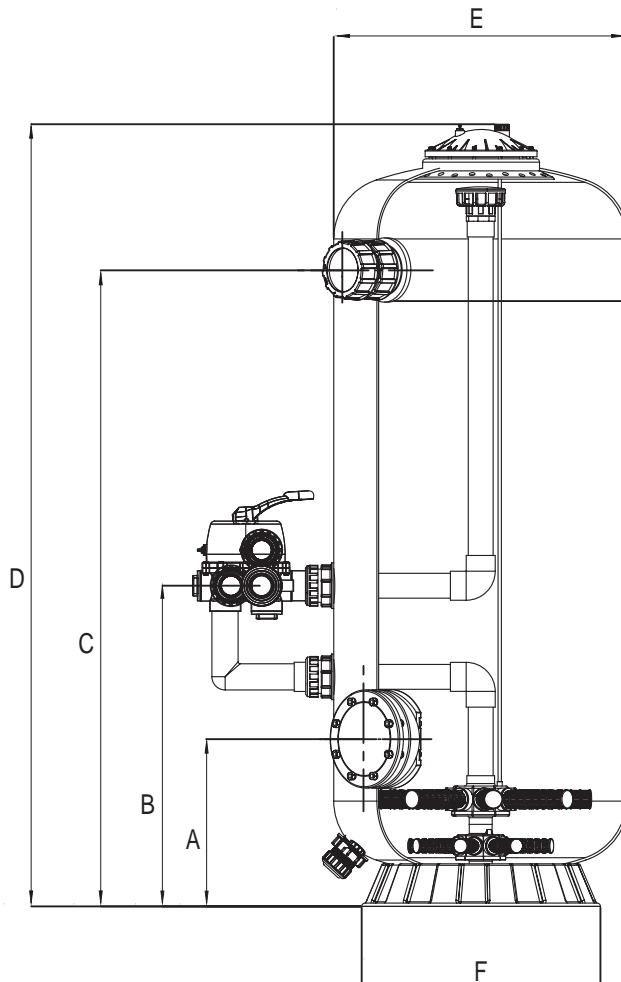
*Terms and conditions apply

PWT-SDB COMMERCIAL FILTER

DEEP BED FIBREGLASS TANK WITH SIDE-MOUNT MULTIPORT VALVE

Model	Glass Fine (kg)	Glass Coarse (kg)	A (mm)	B (mm)	C (mm)	D (mm)	E (mm)	F (mm)
SIDE-MOUNT DEEP BED FILTERS 1M SAND BED								
PWT-SDB-10-07-20	375	135	500	750	1270	1672	700	680
PWT-SDB-10-08-20	510	180	500	750	1270	1702	800	740
PWT-SDB-10-09-20	645	210	500	870	1270	1735	900	860
PWT-SDB-10-09-25	645	210	500	834	1270	1735	900	860
PWT-SDB-10-10-20	810	270	530	870	1270	1813	1000	960
PWT-SDB-10-10-25	810	270	530	1033	1270	1813	1000	960
SIDE-MOUNT DEEP BED FILTERS 1.2M SAND BED								
PWT-SDB-12-07-20	465	150	500	750	1470	1872	700	680
PWT-SDB-12-08-20	600	210	500	750	1470	1902	800	740
PWT-SDB-12-09-20	765	255	500	870	1470	1935	900	860
PWT-SDB-12-09-25	765	255	500	834	1470	1935	900	860
PWT-SDB-12-10-20	960	330	530	870	1470	2013	1000	960
PWT-SDB-12-10-25	960	330	530	1033	1470	2013	1000	960

DIMENSIONS*



*All dimensions in mm.

PWT-E & K COMMERCIAL FILTERS

FIBREGLASS TANK WITH SIDE-MOUNT FLANGES



FEATURED HIGHLIGHTS:

- Spun-woven, UV resistant fiberglass construction for exceptional strength, chemical resistance and long life.
- Max Operating Pressure 250kPa or 400kPa.
- Dual layers of Laterals.
- 4" Sight Glass.
- Available with lateral or nozzle system.
- Union Drain.
- 50m³/m²/hr filtration rate (40m³/m²/hr for deep bed).
- 5 year commercial warranty (pro-rata)*

The Pentair E&K Series satisfies the demand of different water treatment including pools installed with in-floor cleaning systems, spas, fountains and public swimming pools.

ORDERING INFORMATION

Model 250kPa (Laterals / Nozzles)	Model 400kPa (Latterals / Nozzles)	Product	Effective Filter Area (m ²)	Valve Conn. (in.)	Max Flow Rate (m ³ /hr)	Bckwsh Flow Rate (m ³ /hr)	Sand Req'd (kg)	Gravel Req'd (kg)
SIDE-MOUNT FLANGED FILTERS (1.0m Sand Bed Depth)								
PWT-E-10-25L	PWT-E-10-40L	Side-Mount Flanged Filter 1.0m dia.	0.86	3"	43	30	859	272
PWT-E-12-25(L/N)	PWT-E-12-40(L/N)	Side-Mount Flanged Filter 1.2m dia.	1.13	3"	56.5	40	1470	380
PWT-E-14-25(L/N)	PWT-E-14-40(L/N)	Side-Mount Flanged Filter 1.4m dia.	1.54	4"	77	54	1980	410
PWT-E-16-25(L/N)	PWT-E-16-40(L/N)	Side-Mount Flanged Filter 1.6m dia.	2.01	4"	100.5	70	2610	500
PWT-E-18-25(L/N)	PWT-E-18-40(L/N)	Side-Mount Flanged Filter 1.8m dia.	2.54	6"	127	89	3310	620
PWT-E-20-25(L/N)	PWT-E-20-40(L/N)	Side-Mount Flanged Filter 2.0m dia.	3.14	6"	157	110	4030	730
PWT-E-22-25(L/N)	PWT-E-22-40(L/N)	Side-Mount Flanged Filter 2.2m dia.	3.80	8"	190	133	4940	1440
SIDE-MOUNT DEEP BED FLANGED FILTERS (1.2m Sand Bed Depth)								
PWT-K-12-25(L/N)	PWT-K-12-40(L/N)	Side-Mount Deep Bed Flanged Filter 1.2m dia.	1.13	3"	45	40	1500	300
PWT-K-14-25(L/N)	PWT-K-14-40(L/N)	Side-Mount Deep Bed Flanged Filter 1.4m dia.	1.54	4"	61	54	2250	450
PWT-K-16-25(L/N)	PWT-K-16-40(L/N)	Side-Mount Deep Bed Flanged Filter 1.6m dia.	2.01	4"	80	70	2900	700
PWT-K-18-25(L/N)	PWT-K-18-40(L/N)	Side-Mount Deep Bed Flanged Filter 1.8m dia.	2.54	6"	101	89	3200	900
PWT-K-20-25(L/N)	PWT-K-20-40(L/N)	Side-Mount Deep Bed Flanged Filter 2.0m dia.	3.14	6"	125	110	4300	1100
PWT-K-23-25(L/N)	PWT-K-23-40(L/N)	Side-Mount Deep Bed Flanged Filter 2.3m dia.	4.43	8"	175	155	7600	1600
PWT-K-25-25(L/N)	PWT-K-25-40(L/N)	Side-Mount Deep Bed Flanged Filter 2.5m dia.	4.9	8"	200	171	8600	1800

*Terms and conditions apply

PWT-E & K COMMERCIAL FILTERS

FIBREGLASS TANK WITH SIDE-MOUNT FLANGES

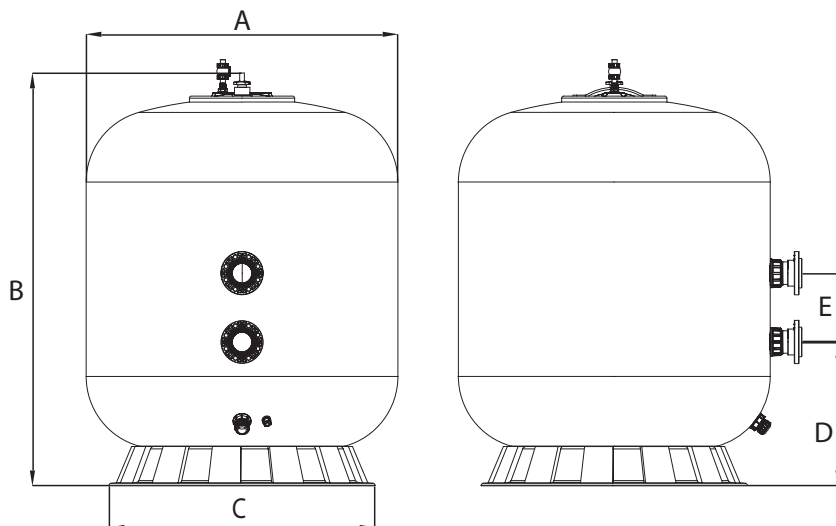


Product	Description
Multiport Valves for E and K Series Filters	
PWT-NBV-30-4	4-Way Butterfly Valve 3" Ports
PWT-NBV-40-4	4-Way Butterfly Valve 4" Ports
PWT-NBV-60-4	4-Way Butterfly Valve 6" Ports
PWT-NBV-80-4	4-Way Butterfly Valve 8" Ports
PWT-NBV-30-5	5-Way Butterfly Valve 3" Ports
PWT-NBV-40-5	5-Way Butterfly Valve 4" Ports
PWT-NBV-60-5	5-Way Butterfly Valve 6" Ports
PWT-NBV-80-5	5-Way Butterfly Valve 8" Ports
PWT-MPV-30-6	6-Way Multiport Valve 3" Ports
PWT-MPV-40-6	6-Way Multiport Valve 4" Ports
PWT-MPV-30-6P	6-Way Multiport Valve 3" Ports, (with piping)
PWT-MPV-40-6P	6-Way Multiport Valve 4" Ports, (with piping)

DIMENSIONS*

Model	A (mm)	B (mm)	C (mm)	D (mm)	E (mm)	Gross Weight (kg)
SIDE-MOUNT FLANGED FILTERS						
PWT-E-10	1050	1816	960	625	550	140
PWT-E-12	1200	1816	995	630	550	160
PWT-E-14	1400	1816	1220	630	550	237
PWT-E-16	1600	1916	1365	720	490	301
PWT-E-18	1800	1956	1630	750	440	377
PWT-E-20	2000	2060	1630	770	490	390
PWT-E-22	2200	2376	1800	940	500	509

Model	A (mm)	B (mm)	C (mm)	D (mm)	E (mm)	Gross Weight (kg)
SIDE-MOUNT DEEP BED FLANGED FILTERS						
PWT-K-12	1200	2080	995	565	350	307
PWT-K-14	1400	2175	1220	565	350	369
PWT-K-16	1600	2310	1365	650	350	494
PWT-K-18	1800	2320	1630	690	415	644
PWT-K-20	2000	2460	1630	770	415	746
PWT-K-23	2350	2720	1800	950	550	1078
PWT-K-25	2500	2750	1800	1050	550	1176



*All dimensions in mm.

PWT-H COMMERCIAL FILTER

HORIZONTAL FIBREGLASS TANK WITH SIDE FLANGES



FEATURED HIGHLIGHTS:

- Spun-woven, UV resistant fiberglass construction for exceptional strength, chemical resistance and long life.
- Max Operating Pressure 250kPa or 400kPa.
- Even spreads of laterals.
- 4" Sight Glass.
- Manhole for servicing.
- Union Drain.
- Air vent valve.
- In-built Manometer.
- 5 year commercial warranty (pro-rata).*

The Pentair Horizontal Filters are suitable for high demand in filtration surface area, especially for commercial purposes. With long life and minimal servicing. Suitable for large scale water features, aquarium and commercial pool.

ORDERING INFORMATION

Model (250kPa)	Model (400 kPa)	Product	Effective Filter Area (m ²)	Valve Conn.	Max Flow Rate (m ³ /hr)	Gravel 1-2mm (kg)	Sand 0.5-0.8mm (kg)
HORIZONTAL FILTERS 1.2M DIAMETER 0.6M SAND BED DEPTH							
PWT-H-12-19-4-25	PWT-H-12-19-4-40	Horizontal Fibreglass Filter 1.2m x 1.9m (4")	1.96	4"	39	425	1100
PWT-H-12-19-6-25	PWT-H-12-19-6-40	Horizontal Fibreglass Filter 1.2m x 1.9m (6")	1.96	6"	79	425	1100
PWT-H-12-23-4-25	PWT-H-12-23-4-40	Horizontal Fibreglass Filter 1.2m x 2.3m (4")	2.42	4"	48	550	1425
PWT-H-12-23-6-25	PWT-H-12-23-6-40	Horizontal Fibreglass Filter 1.2m x 2.3m (6")	2.42	6"	97	550	1425
PWT-H-12-25-4-25	PWT-H-12-25-4-40	Horizontal Fibreglass Filter 1.2m x 2.5m (4")	2.65	4"	53	700	1750
PWT-H-12-25-6-25	PWT-H-12-25-6-40	Horizontal Fibreglass Filter 1.2m x 2.5m (6")	2.65	6"	107	700	1750
PWT-H-12-27-4-25	PWT-H-12-27-4-40	Horizontal Fibreglass Filter 1.2m x 2.7m (4")	2.87	4"	57	825	2075
PWT-H-12-27-6-25	PWT-H-12-27-6-40	Horizontal Fibreglass Filter 1.2m x 2.7m (6")	2.87	6"	115	825	2075
PWT-H-12-30-4-25	PWT-H-12-30-4-40	Horizontal Fibreglass Filter 1.2m x 3.0m (4")	3.21	4"	64	925	2325
PWT-H-12-30-6-25	PWT-H-12-30-6-40	Horizontal Fibreglass Filter 1.2m x 3.0m (6")	3.21	6"	129	925	2325

*Terms and conditions apply

PWT-H COMMERCIAL FILTER

HORIZONTAL FIBREGLASS TANK WITH SIDE FLANGES

Model (250kPa)	Model (400 kPa)	Product	Effective Filter Area (m ²)	Valve Conn.	Max Flow Rate (m ³ /hr)	Gravel 1-2mm (kg)	Sand 0.5-0.8mm (kg)
HORIZONTAL FILTERS 1.4M DIAMETER 0.8M SAND BED DEPTH							
PWT-H-14-19-4-25	PWT-H-14-19-4-40	Horizontal Fibreglass Filter 1.4m x 1.9m (4")	2.23	4"	45	575	2100
PWT-H-14-19-6-25	PWT-H-14-19-6-40	Horizontal Fibreglass Filter 1.4m x 1.9m (6")	2.23	6"	89	575	2100
PWT-H-14-25-4-25	PWT-H-14-25-4-40	Horizontal Fibreglass Filter 1.4m x 2.5m (4")	3.02	4"	60	800	2825
PWT-H-14-25-6-25	PWT-H-14-25-6-40	Horizontal Fibreglass Filter 1.4m x 2.5m (6")	3.02	6"	121	800	2825
PWT-H-14-30-4-25	PWT-H-14-30-4-40	Horizontal Fibreglass Filter 1.4m x 3.0m (4")	3.67	4"	73	1000	3450
PWT-H-14-30-6-25	PWT-H-14-30-6-40	Horizontal Fibreglass Filter 1.4m x 3.0m (6")	3.67	6"	110	1000	3450
PWT-H-14-30-8-25	PWT-H-14-30-8-40	Horizontal Fibreglass Filter 1.4m x 3.0m (8")	3.67	8"	147	1000	3450
HORIZONTAL FILTERS 1.6M DIAMETER 1.0M SAND BED DEPTH							
PWT-H-16-19-4-25	PWT-H-16-19-4-40	Horizontal Fibreglass Filter 1.6m x 1.9m (4")	2.47	4"	49	600	2850
PWT-H-16-19-6-25	PWT-H-16-19-6-40	Horizontal Fibreglass Filter 1.6m x 1.9m (6")	2.47	6"	99	600	2850
PWT-H-16-25-6-25	PWT-H-16-25-6-40	Horizontal Fibreglass Filter 1.6m x 2.5m (6")	3.36	6"	101	850	3875
PWT-H-16-25-8-25	PWT-H-16-25-8-40	Horizontal Fibreglass Filter 1.6m x 2.5m (8")	3.36	8"	134	850	3875
PWT-H-16-30-6-25	PWT-H-16-30-6-40	Horizontal Fibreglass Filter 1.6m x 3.0m (6")	4.1	6"	123	1050	4750
PWT-H-16-30-8-25	PWT-H-16-30-8-40	Horizontal Fibreglass Filter 1.6m x 3.0m (8")	4.1	8"	164	1050	4750
HORIZONTAL FILTERS 1.8M DIAMETER 1.0M SAND BED DEPTH							
PWT-H-18-25-6-25	PWT-H-18-25-6-40	Horizontal Fibreglass Filter 1.8m x 2.5m (6")	3.74	6"	112	975	4850
PWT-H-18-25-8-25	PWT-H-18-25-8-40	Horizontal Fibreglass Filter 1.8m x 2.5m (8")	3.74	8"	150	975	4850
PWT-H-18-30-6-25	PWT-H-18-30-6-40	Horizontal Fibreglass Filter 1.8m x 3.0m (6")	4.58	6"	137	1225	5925
PWT-H-18-30-8-25	PWT-H-18-30-8-40	Horizontal Fibreglass Filter 1.8m x 3.0m (8")	4.58	8"	183	1225	5925
PWT-H-18-35-8-25	PWT-H-18-35-8-40	Horizontal Fibreglass Filter 1.8m x 3.5m (8")	5.41	8"	162	1475	7000
PWT-H-18-35-10-25	PWT-H-18-35-10-40	Horizontal Fibreglass Filter 1.8m x 3.5m (10")	5.41	10"	216	1475	7000
PWT-H-18-40-6-25	PWT-H-18-40-6-40	Horizontal Fibreglass Filter 1.8m x 4.0m (6")	6.25	6"	125	1700	8075
PWT-H-18-40-8-25	PWT-H-18-40-8-40	Horizontal Fibreglass Filter 1.8m x 4.0m (8")	6.25	8"	187	1700	8075
PWT-H-18-40-10-25	PWT-H-18-40-10-40	Horizontal Fibreglass Filter 1.8m x 4.0m (10")	6.25	10"	250	1700	8075
HORIZONTAL FILTERS 2.0M DIAMETER 1.2M SAND BED DEPTH							
PWT-H-20-25-6-25	PWT-H-20-25-6-40	Horizontal Fibreglass Filter 2.0m x 2.5m (6")	4.34	6"	130	1050	6575
PWT-H-20-25-8-25	PWT-H-20-25-8-40	Horizontal Fibreglass Filter 2.0m x 2.5m (8")	4.34	8"	174	1050	6575
PWT-H-20-30-6-25	PWT-H-20-30-6-40	Horizontal Fibreglass Filter 2.0m x 3.0m (6")	5.3	6"	159	1300	8025
PWT-H-20-30-8-25	PWT-H-20-30-8-40	Horizontal Fibreglass Filter 2.0m x 3.0m (8")	5.3	8"	212	1300	8025
PWT-H-20-35-6-25	PWT-H-20-35-6-40	Horizontal Fibreglass Filter 2.0m x 3.5m (6")	6.25	6"	125	1550	9475
PWT-H-20-35-8-25	PWT-H-20-35-8-40	Horizontal Fibreglass Filter 2.0m x 3.5m (8")	6.25	8"	187	1550	9475
PWT-H-20-35-10-25	PWT-H-20-35-10-40	Horizontal Fibreglass Filter 2.0m x 3.5m (10")	6.25	10"	250	1550	9475
PWT-H-20-40-6-25	PWT-H-20-40-6-40	Horizontal Fibreglass Filter 2.0m x 4.0m (6")	7.21	6"	144	1800	10925
PWT-H-20-40-8-25	PWT-H-20-40-8-40	Horizontal Fibreglass Filter 2.0m x 4.0m (8")	7.21	8"	216	1800	10925
PWT-H-20-40-10-25	PWT-H-20-40-10-40	Horizontal Fibreglass Filter 2.0m x 4.0m (10")	7.21	10"	288	1800	10925
PWT-H-20-45-8-25	PWT-H-20-45-8-40	Horizontal Fibreglass Filter 2.0m x 4.5m (8")	8.16	8"	163	2075	12375
PWT-H-20-45-10-25	PWT-H-20-45-10-40	Horizontal Fibreglass Filter 2.0m x 4.5m (10")	8.16	10"	326	2075	12375
PWT-H-20-50-10-25	PWT-H-20-50-10-40	"Horizontal Fibreglass Filter 2.0m x 5.0m (10")"	9.11	10"	364	2350	13825

*All dimensions in mm.

PWT-H COMMERCIAL FILTER

HORIZONTAL FIBREGLASS TANK WITH SIDE FLANGES

Model (250kPa)	Model (400 kPa)	Product	Effective Filter Area (m ²)	Valve Conn.	Max Flow Rate (m ³ /hr)	Gravel 1-2mm (kg)	Sand 0.5-0.8mm (kg)
HORIZONTAL FILTERS 2.35M DIAMETER 1.2M SAND BED DEPTH							
PWT-H-23-30-6-25	PWT-H-23-30-6-40	Horizontal Fibreglass Filter 2.35m x 3.0m (6")	5.94	6"	119	2575	9300
PWT-H-23-30-8-25	PWT-H-23-30-8-40	Horizontal Fibreglass Filter 2.35m x 3.0m (8")	5.94	8"	178	2575	9300
PWT-H-23-30-10-25	PWT-H-23-30-10-40	Horizontal Fibreglass Filter 2.35m x 3.0m (10")	5.94	10"	238	2575	9300
PWT-H-23-35-6-25	PWT-H-23-35-6-40	Horizontal Fibreglass Filter 2.35m x 3.5m (6")	7.06	6"	141	3125	11050
PWT-H-23-35-8-25	PWT-H-23-35-8-40	Horizontal Fibreglass Filter 2.35m x 3.5m (8")	7.06	8"	212	3125	11050
PWT-H-23-35-10-25	PWT-H-23-35-10-40	Horizontal Fibreglass Filter 2.35m x 3.5m (10")	7.06	10"	282	3125	11050
PWT-H-23-40-8-25	PWT-H-23-40-8-40	Horizontal Fibreglass Filter 2.35m x 4.0m (8")	8.17	8"	163	3650	12800
PWT-H-23-40-10-25	PWT-H-23-40-10-40	Horizontal Fibreglass Filter 2.35m x 4.0m (10")	8.17	10"	327	3650	12800
PWT-H-23-45-8-25	PWT-H-23-45-8-40	Horizontal Fibreglass Filter 2.35m x 4.5m (8")	9.28	8"	186	4200	14525
PWT-H-23-45-10-25	PWT-H-23-45-10-40	Horizontal Fibreglass Filter 2.35m x 4.5m (10")	9.28	10"	371	4200	14525
PWT-H-23-50-8-25	PWT-H-23-50-8-40	Horizontal Fibreglass Filter 2.35m x 5.0m (8")	10.4	8"	208	4750	16250
PWT-H-23-50-10-25	PWT-H-23-50-10-40	Horizontal Fibreglass Filter 2.35m x 5.0m (10")	10.4	10"	312	4750	16250
PWT-H-23-50-12-25	PWT-H-23-50-12-40	Horizontal Fibreglass Filter 2.35m x 5.0m (12")	10.4	12"	416	4750	16250
HORIZONTAL FILTERS 2.5M DIAMETER 1.3M SAND BED DEPTH							
PWT-H-25-35-6-25	PWT-H-25-35-6-40	Horizontal Fibreglass Filter 2.5m x 3.5m (6")	7.34	6"	149	3175	11675
PWT-H-25-35-8-25	PWT-H-25-35-8-40	Horizontal Fibreglass Filter 2.5m x 3.5m (8")	7.34	8"	223	3175	11675
PWT-H-25-35-10-25	PWT-H-25-35-10-40	Horizontal Fibreglass Filter 2.5m x 3.5m (10")	7.34	10"	297	3175	11675
PWT-H-25-40-8-25	PWT-H-25-40-8-40	Horizontal Fibreglass Filter 2.5m x 4.0m (8")	8.62	8"	172	3725	13500
PWT-H-25-40-10-25	PWT-H-25-40-10-40	Horizontal Fibreglass Filter 2.5m x 4.0m (10")	8.62	10"	345	3725	13500
PWT-H-25-45-8-25	PWT-H-25-45-8-40	Horizontal Fibreglass Filter 2.5m x 4.5m (8")	9.8	8"	196	4300	15350
PWT-H-25-45-10-25	PWT-H-25-45-10-40	Horizontal Fibreglass Filter 2.5m x 4.5m (10")	9.8	10"	294	4300	15350
PWT-H-25-45-12-25	PWT-H-25-45-12-40	Horizontal Fibreglass Filter 2.5m x 4.5m (12")	9.8	12"	392	4300	15350
PWT-H-25-50-8-25	PWT-H-25-50-8-40	Horizontal Fibreglass Filter 2.5m x 5.0m (8")	10.98	8"	220	4850	17200
PWT-H-25-50-10-25	PWT-H-25-50-10-40	Horizontal Fibreglass Filter 2.5m x 5.0m (10")	10.98	10"	329	4850	17200
PWT-H-25-50-12-25	PWT-H-25-50-12-40	Horizontal Fibreglass Filter 2.5m x 5.0m (12")	10.98	12"	439	4850	17200
HORIZONTAL FILTERS 3.0M DIAMETER 1.5M SAND BED DEPTH							
PWT-H-30-35-8-25	PWT-H-30-35-8-40	Horizontal Fibreglass Filter 3.0m x 3.5m (8")	8.98	8"	180	4525	17850
PWT-H-30-35-10-25	PWT-H-30-35-10-40	Horizontal Fibreglass Filter 3.0m x 3.5m (10")	8.98	10"	270	4525	17850
PWT-H-30-35-12-25	PWT-H-30-35-12-40	Horizontal Fibreglass Filter 3.0m x 3.5m (12")	8.98	12"	360	4525	17850
PWT-H-30-40-8-25	PWT-H-30-40-8-40	Horizontal Fibreglass Filter 3.0m x 4.0m (8")	10.4	8"	208	5300	20675
PWT-H-30-40-10-25	PWT-H-30-40-10-40	Horizontal Fibreglass Filter 3.0m x 4.0m (10")	10.4	10"	312	5300	20675
PWT-H-30-40-12-25	PWT-H-30-40-12-40	Horizontal Fibreglass Filter 3.0m x 4.0m (12")	10.4	12"	416	5300	20675
PWT-H-30-45-8-25	PWT-H-30-45-8-40	Horizontal Fibreglass Filter 3.0m x 4.5m (8")	11.82	8"	236	6100	23500
PWT-H-30-45-10-25	PWT-H-30-45-10-40	Horizontal Fibreglass Filter 3.0m x 4.5m (10")	11.82	10"	355	6100	23500
PWT-H-30-45-12-25	PWT-H-30-45-12-40	Horizontal Fibreglass Filter 3.0m x 4.5m (12")	11.82	12"	473	6100	23500
PWT-H-30-50-8-25	PWT-H-30-50-8-40	Horizontal Fibreglass Filter 3.0m x 5.0m (8")	13.24	8"	265	6875	26300
PWT-H-30-50-10-25	PWT-H-30-50-10-40	Horizontal Fibreglass Filter 3.0m x 5.0m (10")	13.24	10"	397	6875	26300
PWT-H-30-50-12-25	PWT-H-30-50-12-40	Horizontal Fibreglass Filter 3.0m x 5.0m (12")	13.24	12"	530	6875	26300

PWT-H COMMERCIAL FILTER

HORIZONTAL FIBREGLASS TANK WITH SIDE FLANGES

DIMENSIONS*

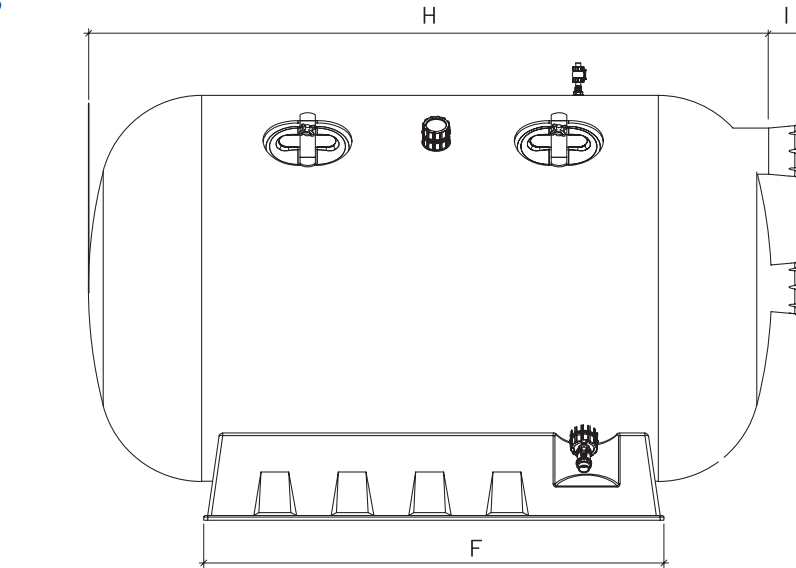
Model	B (mm)	C (mm)	D (mm)	E (mm)	F (mm)	H (mm)	J (mm)	2.5 bar Weight (kg)	4 bar Weight (kg)
HORIZONTAL FILTERS 1.2M DIAMETER 0.6M SAND BED DEPTH									
PWT-H-12-19	747	325	1200	1100	1190	1900	1500	270	353
PWT-H-12-23	747	325	1200	1100	1590	2300	1500	324	418
PWT-H-12-25	747	325	1200	1100	1790	2500	1500	354	453
PWT-H-12-27	747	325	1200	1100	1990	2700	1500	382	438
PWT-H-12-30	747	325	1200	1100	2290	3000	1500	431	542
HORIZONTAL FILTERS 1.4M DIAMETER 0.8M SAND BED DEPTH									
PWT-H-14-19	847	390	1400	1130	1340	1900	1700	360	461
PWT-H-14-25	847	390	1400	1130	1840	2500	1700	413	532
PWT-H-14-30	847	390	1400	1130	2340	3000	1700	522	657
HORIZONTAL FILTERS 1.6M DIAMETER 1.0M SAND BED DEPTH									
PWT-H-16-19	945	475	1600	1440	1210	1900	1900	414	535
PWT-H-16-25	945	475	1600	1440	1710	2500	1900	516	658
PWT-H-16-30	945	475	1800	1440	2210	3000	1900	611	771
HORIZONTAL FILTERS 1.8M DIAMETER 1.0M SAND BED DEPTH									
PWT-H-18-25	1100	550	1800	1380	1560	2500	2170	570	777
PWT-H-18-30	1100	550	1800	1380	2060	3000	2170	701	888
PWT-H-18-35	1100	550	1800	1380	2560	3500	2170	811	1020
PWT-H-18-40	1100	550	1800	1380	3060	4000	2170	912	1140
HORIZONTAL FILTERS 2.0M DIAMETER 1.2M SAND BED DEPTH									
PWT-H-20-25	1200	710	2000	1720	1380	2500	2370	710	906
PWT-H-20-30	1200	710	2000	1720	1880	3000	2370	804	1024
PWT-H-20-35	1200	710	2000	1720	2380	3500	2370	898	1140
PWT-H-20-40	1200	710	2000	1720	2880	4000	2370	1001	1265
PWT-H-20-45	1200	710	2000	1720	3380	4500	2370	1093	1380
PWT-H-20-50	1200	710	2000	1720	3880	5000	2370	1200	1500
HORIZONTAL FILTERS 2.35M DIAMETER 1.2M SAND BED DEPTH									
PWT-H-23-30	1390	710	2350	1950	1270	3000	2730	920	1195
PWT-H-23-35	1390	710	2350	1950	1770	3500	2730	1035	1335
PWT-H-23-40	1390	710	2350	1950	2270	4000	2730	1178	1505
PWT-H-23-45	1390	710	2350	1950	2770	4500	2730	1362	1715
PWT-H-23-50	1390	710	2350	1950	3270	5000	2730	1562	1942
HORIZONTAL FILTERS 2.5M DIAMETER 1.3M SAND BED DEPTH									
PWT-H-25-35	1480	710	2500	2120	1850	3500	2900	1075	1403
PWT-H-25-40	1480	710	2500	2120	2350	4000	2900	1363	1587
PWT-H-25-45	1480	710	2500	2120	2850	4500	2900	1442	1812
PWT-H-25-50	1480	710	2500	2120	3350	5000	2900	1610	2022
HORIZONTAL FILTERS 3.0M DIAMETER 1.5M SAND BED DEPTH									
PWT-H-30-35	1730	710	3000	2600	1880	3500	3410	1386	1783
PWT-H-30-40	1730	710	3000	2600	2380	4000	3410	1582	2012
PWT-H-30-45	1730	710	3000	2600	2880	4500	3410	1777	2240
PWT-H-30-50	1730	710	3000	2600	3380	5000	3410	1972	2470

*All dimensions in mm.

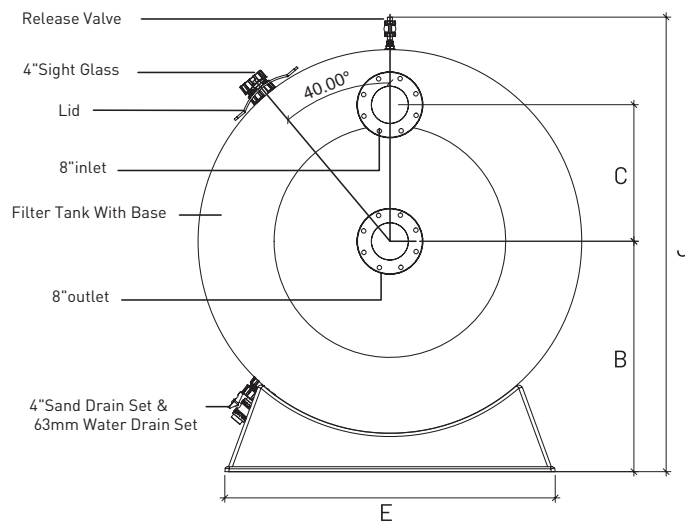
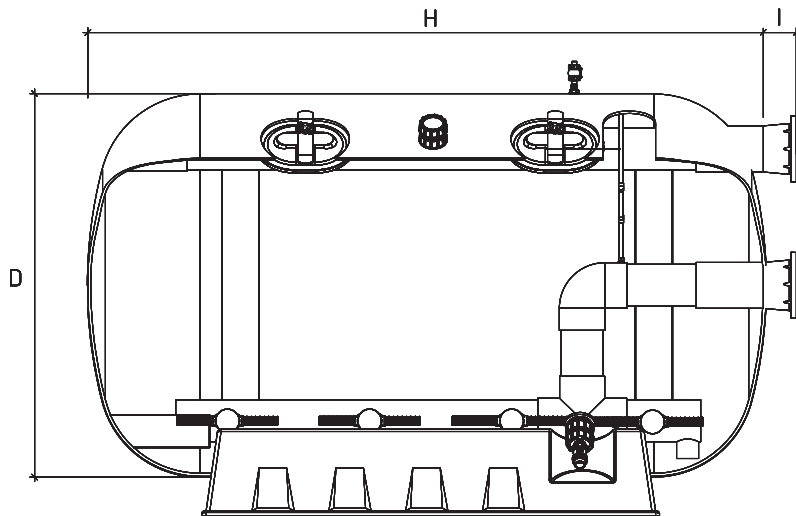
PWT-H COMMERCIAL FILTER

HORIZONTAL FIBREGLASS TANK WITH SIDE FLANGES

DIMENSIONS



Flange	I
8" (200mm)	180mm
4" (150mm)	160mm
8" (200mm)	180mm
10" (250mm)	180mm
12" (300mm)	180mm





POOL HEATING

MASTERTEMP HEATER

HIGH PERFORMANCE & EFFICIENT GAS HEATERS



FEATURED HIGHLIGHTS:

- Heats up fast so no long waits before enjoying your pool or spa
- Best-in-class energy efficiency*
- Improved connectivity with IntelliCenter automation systems.
- On-screen diagnostics.
- Control an automatic bypass valve (sold separately) to reduce flow through the heater when not in use.
- Eco-friendly MasterTemp® Heater is certified for low NOx emission and outperforms industry standards
- Rotating digital display allows for easy viewing
- Tough, rustproof exterior handles the heat and weathers the elements
- 2 year limited warranty.**

MasterTemp® heaters offer all the efficiency, convenience and reliability features you want in a pool heater, plus a lot more. As easy to use as your home heating system, plus, user-friendly indicator lights make system operation and monitoring a snap.

The compact design and super-quiet operation won't intrude on your poolside leisure time. Heavy-duty (HD) unit with cupro-nickel exchanger stands up to the harshest of applications, like low pH, high flow or heavy use.

ORDERING INFORMATION

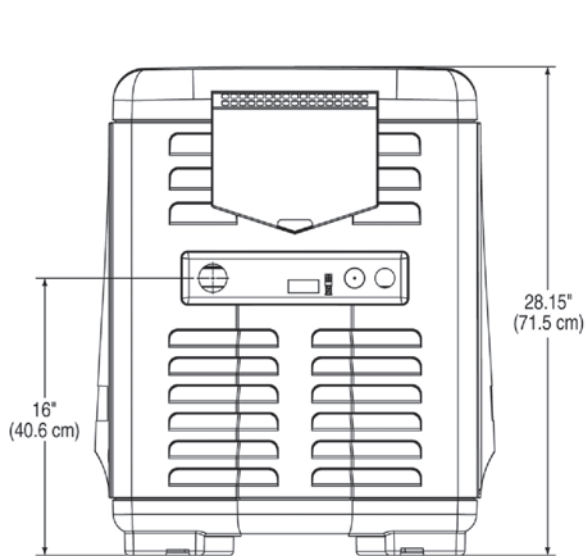
Product	Description	Gas Type	BTU (000's)	Carton Dim.	Carton Weight (Kgs.)	Pallet Qty.
MASTERTEMP HEATERS						
460946	MasterTemp Heavy Duty 200HD#	Natural	200	673x889x762	58	4
460945	MasterTemp Heavy Duty 300HD	Natural	300	673x889x762	61.7	4
460948	MasterTemp Heavy Duty 300HD	Propane / LPG	300	673x889x762	61.7	4
460944	MasterTemp Heavy Duty 400HD	Natural	400	673x889x762	63.5	4
460947	MasterTemp Heavy Duty 400HD	Propane / LPG	400	673x889x762	63.5	4
ACCESSORIES						
SF43-11-06	6" Flue Adaptor				-	-
SF43-11-08	8" Flue Adaptor				-	-
461031	Direct Air Intake Kit				-	-
801954	Flow Switch 50mm Spigot (requires 2 x 50mm F-F PVC couplings)				-	-
802010	External Inlet High Limit Switch Kit				-	-
801964	Sacrificial Anode (2" Saddle Clamp)				-	-

Note: The MasterTemp® Heater is certified for low NOx emissions. *Heavy Duty (HD) Cupro-Nickel Heat Exchanger 82% Efficient. #Propane / LPG available through purchase of Natural gas unit plus conversion kit. **Terms and conditions apply

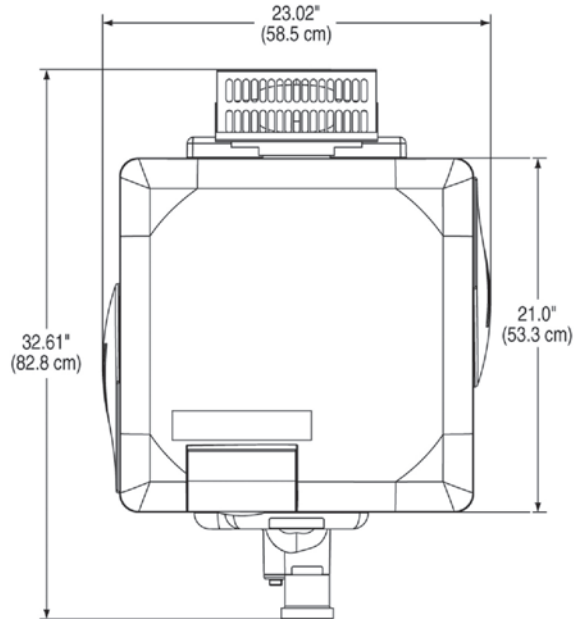
MASTERTEMP HEATER

HIGH PERFORMANCE & EFFICIENT GAS HEATERS

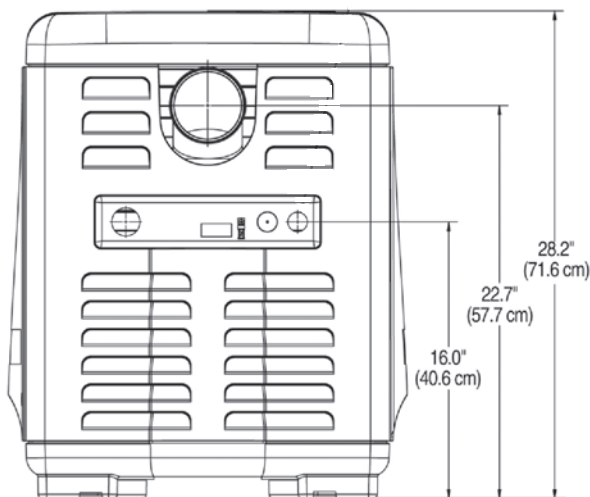
DIMENSIONS*



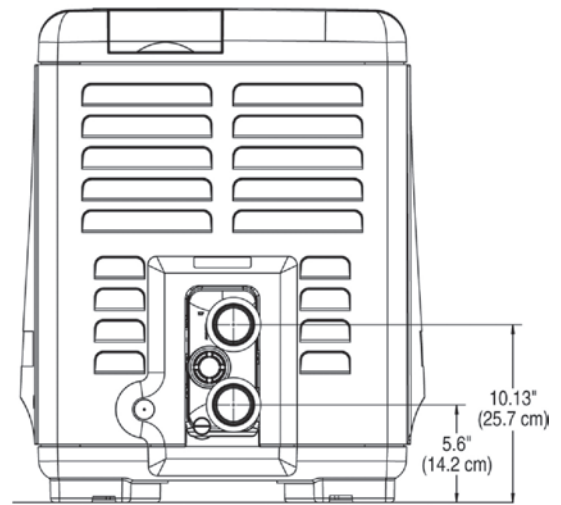
▲ EXHAUST SIDE
(COWL ON)



▲ TOP VIEW



▲ EXHAUST SIDE
(COWL OFF)



▲ PLUMBING SIDE

*All dimensions in mm.

MASTERTEMP 125

HIGH PERFORMANCE SPA HEATER



FEATURED HIGHLIGHTS:

- High-performance, affordable heater with premium features.
- Energy efficiency among the highest in its class.
- 40mm (1-1/2") plumbing connections - ideal for small bodies of water including above ground pools and spas.
- Pre-mixed combustion technology for fast heat up and low NOx emissions.
- Easy to use digital display/control.
- Lightweight, easy to handle and ship.

The MasterTemp 125 Heater provides energy-savings and advanced operating features that were only available from much larger heaters. With its revolutionary pre-mixed gas combustion technology, the MasterTemp 125 Heater offers high thermal efficiency, among the

best in its class. The advanced digital display/controller provides more information and better control. The MasterTemp 125 heater is also compact and lightweight, making it easy to handle and ship.

ORDERING INFORMATION

Product	Description	Gas Type	BTU (000's)	Carton Dim.	Carton Weight (Kgs.)	Pallet Qty.
MASTERTEMP HEATERS						
461092	MasterTemp 125#	Natural	125	930x570x625	45	4
ACCESSORIES						
SF43-11-06	6" Flue Adaptor				-	-
SF43-11-08	8" Flue Adaptor				-	-
474845	Direct Air Intake Kit				-	-
801953	Flow Switch 40mm				-	-
802011	External Inlet High Limit Switch Kit				-	-
801964	Sacrificial Anode (2" Saddle Clamp)				-	-

Note: The MasterTemp® Heater is certified for low NOx emissions.

* Heavy Duty (HD) Cupro-Nickel Heat Exchanger 82% Efficient.

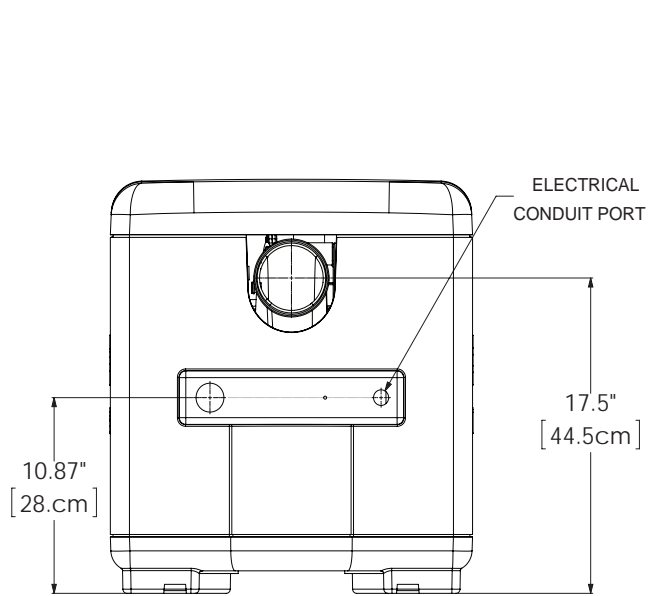
Propane / LPG available through purchase of Natural gas unit plus conversion kit.

*Terms and conditions apply

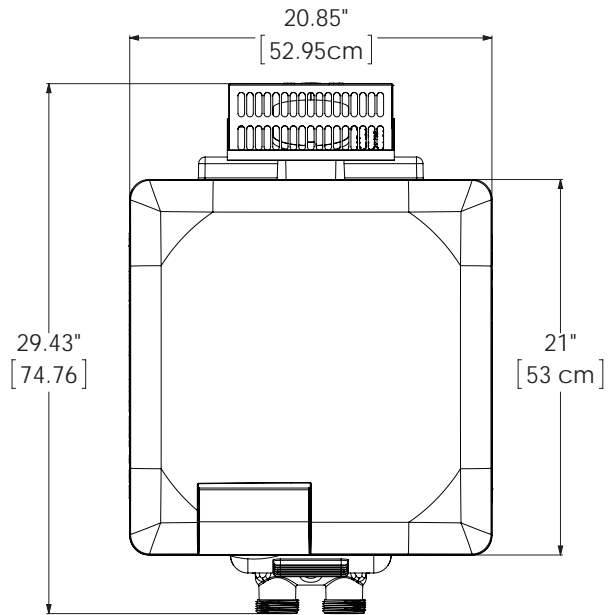
MASTERTEMP 125

HIGH PERFORMANCE SPA HEATER

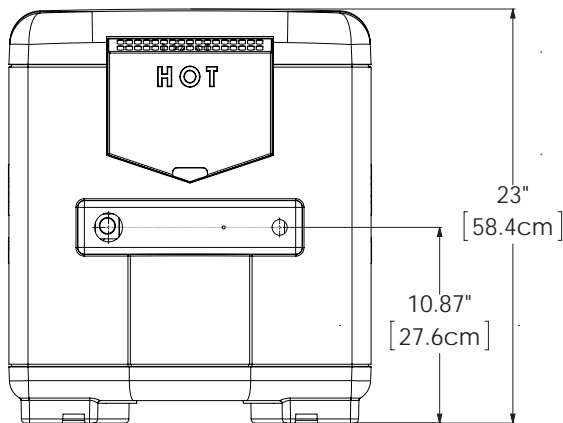
DIMENSIONS*



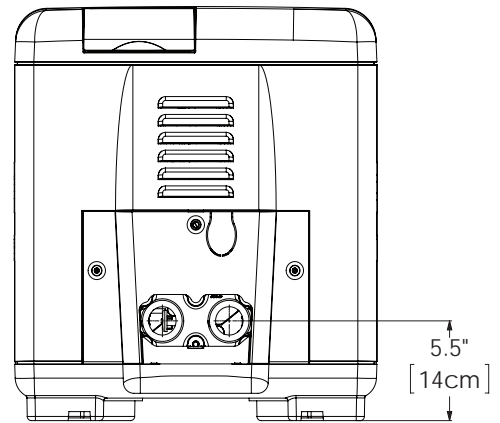
**EXHAUST SIDE
(COWL OFF)**



TOP VIEW



**EXHAUST SIDE
(COWL ON)**



PLUMBING SIDE

*All dimensions in mm.

ULTRATEMP™ HXi

INVERTER HEAT PUMP



FEATURED HIGHLIGHTS:

- Full inverter heat pump with variable speed compressor and fan motor.
- Wi-fi module included, compatible with app freely available on app store.
- Silent running mode, for neighbourhood peace and quiet.
- Energy efficiency among the highest in its class with COP ratings far in excess of standard heat pumps.
- Titanium threaded heat exchanger.
- Intuitive colour LCD touch screen.
- Heats, cools and offers auto defrost.
- 15 years warranty*

The Pentair UltraTemp™ HXi heat pump automatically heats or cools your pool according to the desired temperature. It adapts to outdoor conditions to ensure optimum bathing comfort while minimising energy consumption. Equipped with full-inverter technology, the new Pentair UltraTemp™

HXi heat pump delivers powerful, yet quiet, performance, thanks to the combination of a variable speed compressor and fan motor. They adjust their speed automatically following the operating mode selected by the user via the colour touchscreen or optional app.

ORDERING INFORMATION

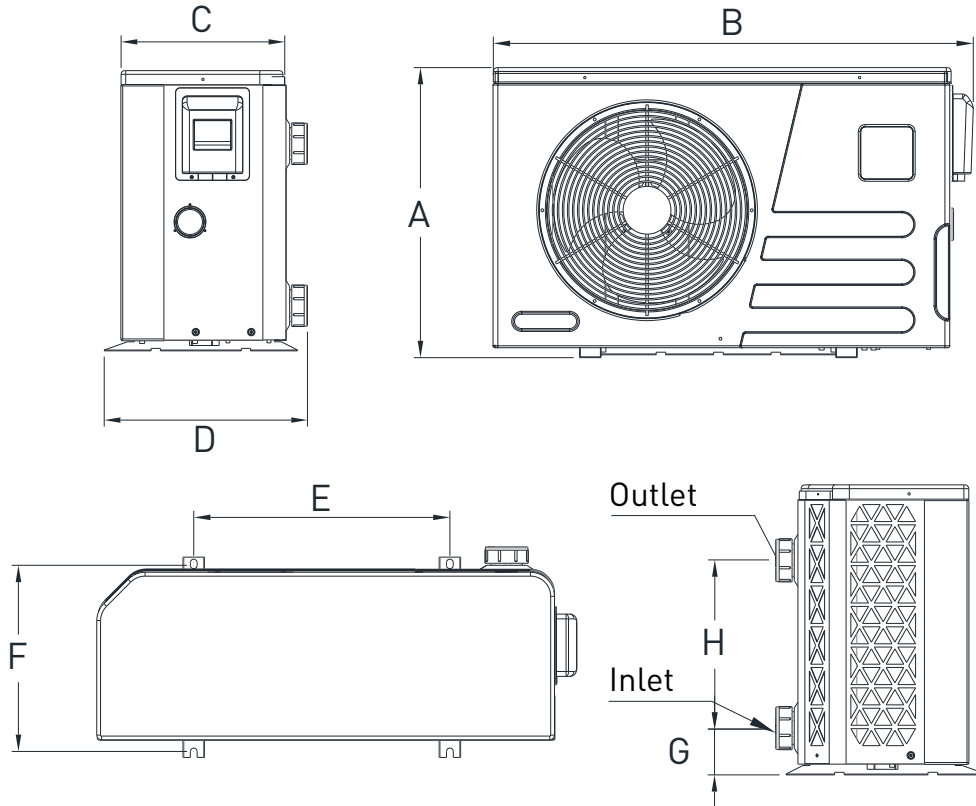
Product	Description	Capacity @27°C Air (kW)	COP	Min Flow (LPM)	Power Input (kW)	Voltage	Current (A)	Carton Dim. (mm)	Carton Wt (kg)	Pallet Qty.
ULTRATEMP HXi INVERTER HEAT PUMPS										
UTHP-9-HXi	UltraTemp HXi, 9kW	9	14.2-6.4	53	2.1	230-240V/50Hz	9.0	1030×470×745	54	3
UTHP-12-HXi	UltraTemp HXi, 12kW	12	14.1-6.3	66	2.5	230-240V/50Hz	10.9	1030×470×745	61	3
UTHP-16-HXi	UltraTemp HXi, 16kW	16	13.9-6.3	86	3.6	230-240V/50Hz	16.5	1100×500×910	74	2
UTHP-20-HXi	UltraTemp HXi, 20kW	20	13.8-6.2	100	3.8	230-240V/50Hz	17.5	1200×545×1010	86	2
UTHP-24-HXi	UltraTemp HXi, 24kW	24.3	14.5-6.5	141	4.9	230-240V/50Hz	22.7	1200×545×1010	98	2
UTHP-28-HXi	UltraTemp HXi, 28kW	28.2	14.3-6.4	158	6.3	400-415V/50Hz	10.8	1200×545×1010	104	2
UTHP-35-HXi	UltraTemp HXi, 35kW	35.1	14.3-6.8	230	7.2	400-415V/50Hz	11.7	1200×545×1010	104	2
ACCESSORIES										
803247	Control Pad Extension Kit								-	-

*Terms and conditions apply

ULTRATEMP™ HXi

INVERTER HEAT PUMP

DIMENSIONS*



Heat Pump Model	UTHP-9-HXi UTHP-12-HXi	UTHP-16-HXi	UTHP-20-HXi	UTHP-24-HXi UTHP-28-HXi UTHP-35-HXi
A (mm)	605MM	768MM	862MM	855MM
B (mm)	999MM	1044MM	1158MM	1159MM
C (mm)	350MM	385MM	428MM	435MM
D (mm)	439MM	483MM	514MM	490MM
E (mm)	535MM	615MM	758MM	738MM
F (mm)	395MM	428MM	467MM	467MM
G (mm)	98MM	101MM	96MM	97MM
H (mm)	350MM	350MM	466MM	465MM

*All dimensions in mm.

ULTRATEMP™ VXi

INVERTER HEAT PUMP



FEATURED HIGHLIGHTS:

- High-performance, affordable heat pump with premium features.
- Energy efficiency among the highest in its class with COP ratings far in excess of standard heat pumps.
- Titanium threaded heat exchanger.
- Intuitive LCD touch screen.
- Heats, cools and offers auto defrost.
- Corrosion protection Hydrophilic Evaporator Coating.
- Filter dryer eliminates ice and dirt block and also attenuates noise for quiet operation.
- 15 years warranty*

The swimming pool heat pump is one of the most economical ways of heating your swimming pool efficiently. Using the free renewable energy from the air, it is up to 14 times more efficient than traditional heating.

The swimming pool heat pump extends your swimming season and gives you comfort at high level. You could enjoy swimming not only in summer, but also in spring, autumn and even winter time.

ORDERING INFORMATION

Product	Description	Capacity @27°C Air (kW)	COP	Min Flow (LPM)	Power Input (kW)	Voltage	Current	Carton Dim. (mm)	Carton Wt (kg)	Pallet Qty.
ULTRATEMP VXi INVERTER HEAT PUMPS										
UTHP-13-VXi	ULTRATEMP VXi 13KW	13.5	6.5-13.5	108	2.13	230-240V	11.3	670×655×926	90	1
UTHP-17-VXi	ULTRATEMP VXi 17KW	17.5	6.4-13.8	133	2.78	230-240V	13.3	670×655×926	98	1
UTHP-20-VXi	ULTRATEMP VXi 20KW	20.6	6.5-13.6	158	3.29	230-240V	21.2	763×745×1090	137	1
UTHP-24-VXi	ULTRATEMP VXi 24KW	24	6.8-14.2	166	3.65	230-240V	22.8	763×745×1090	140	1
UTHP-28-VXi	ULTRATEMP VXi 28KW	28	6.5-14.2	200	4.31	230-240V	23.6	825×820×1257	160	1
UTHP-32-VXi	ULTRATEMP VXi 32KW 3P	32	6.5-13.5	250	5	400-415V	14.7	825×820×1257	165	1
ACCESSORIES										
803247	Control Pad Extention Kit								-	-

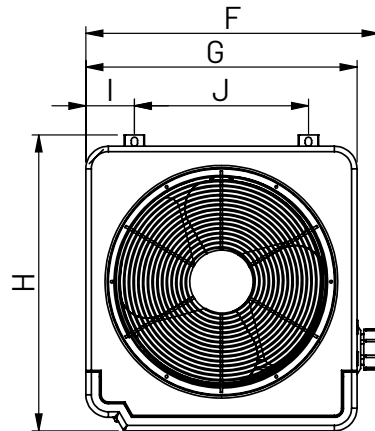
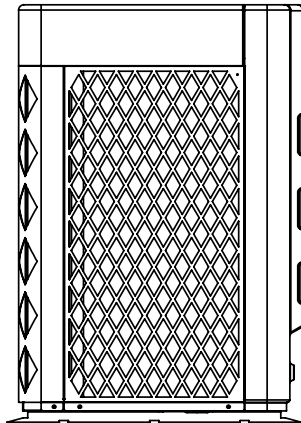
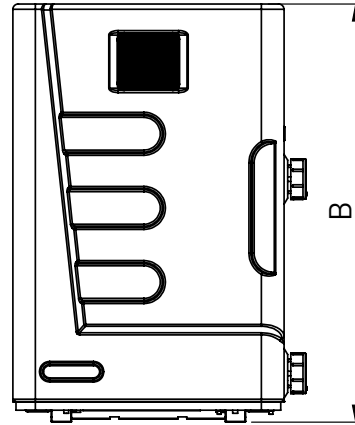
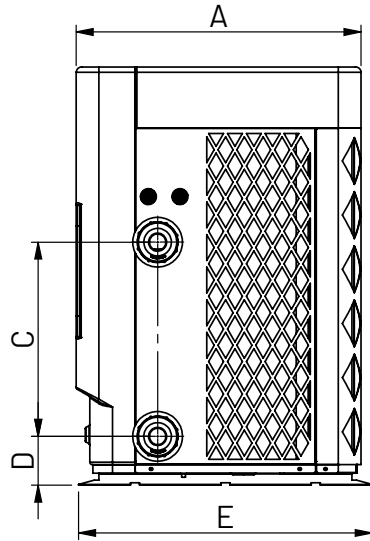
*Terms and conditions apply

*All dimensions in mm.

ULTRATEMP™ VXi

INVERTER HEAT PUMP

DIMENSIONS*



	UTHP-13-VXi, UTHP-17-VXi	UTHP-20-VXi, UTHP-24-VXi	UTHP-20-VXi, UTHP-24-VXi, UTHP-28-VXi
A	630	720	781
B	925.5	1090	1263
C	430	466	600
D	107.7	97.4	97.4
E	650	740	820
F	649	739	801
G	600	690	752
H	655	745	786
I	107.5	110	108.5
J	385	470	535

*All dimensions in mm.



POOL HEATING

COMMERCIAL

PWT COMMERCIAL HEAT PUMPS

HIGH PERFORMANCE HEAT PUMP



FEATURED HIGHLIGHTS:

- Dual Coil Titanium Heat Exchanger - Compared with normal single coil heat exchangers, enlarges the heat exchanging surface that increases efficiency.
- Copeland scroll compressors - Regarded in the industry as the best.
- Variable Speed Fan - The fan speed will be adjusted automatically to reduce the input power and noise level to achieve energy saving and silent running.
- Heats, cools and offers auto defrost.
- Corrosion protection Hydrophilic Evaporator Coating.
- Powder coated steel enclosure.
- New Inverter models available.

Pentair commercial heat pumps found around the world in resort, hotels, public swimming pools, schools and water parks. Wherever large bodies of water need to be reliably heated, you'll find Pentair. Pentair commercial heat pumps are equipped with a multi-unit integrated control that

centralises temperature control and fault diagnostics for a much easier and more practical interface. Incorporating a master-slave configuration into the design, multiple units can work seamlessly together.

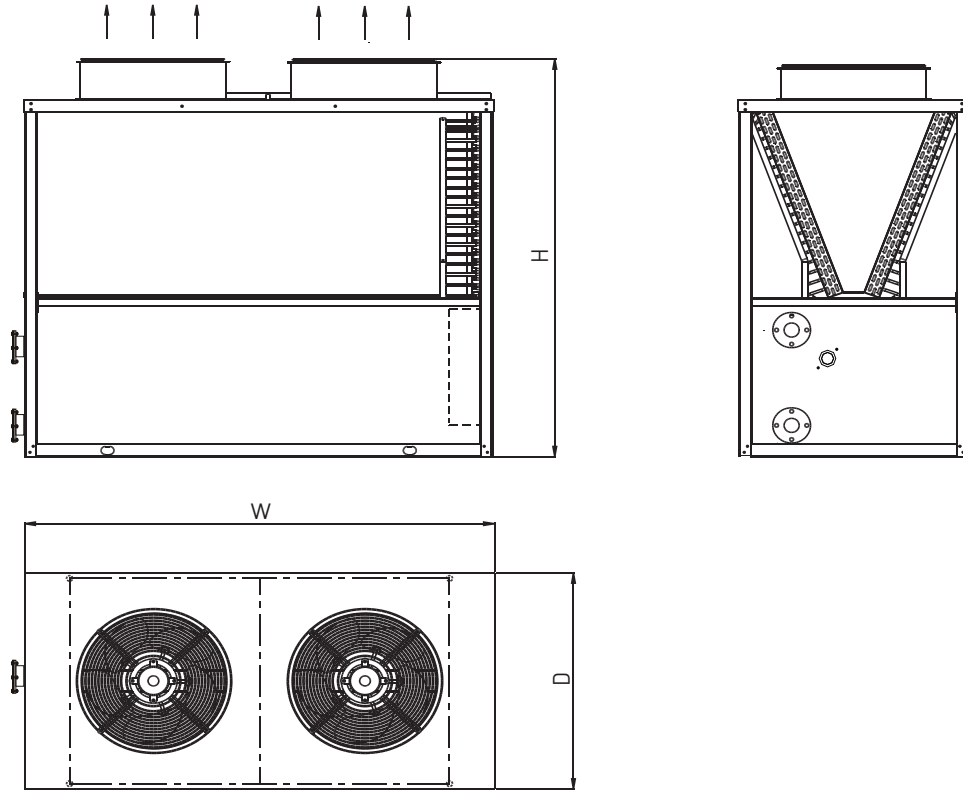
ORDERING INFORMATION

Product	Description	Capacity (kW)	COP	Min Flow (LPM)	Power Input (kW)	Voltage (AC-3P)	Current (A)	Carton Dim. (mm)	Carton Wt (kg)
PENTAIR COMMERCIAL HEAT PUMPS - VARIABLE SPEED (R32)									
PWT-HP-68i	Pentair Commercial Inverter Heat Pump 68kW	15-68	6-16	450	11.1	400-415V	18	1300x1100x2000	235
PWT-HP-135i	Pentair Commercial Inverter Heat Pump 135kW	30-135	6-16	900	22.1	400-415V	38	2335x1220x2230	698
PWT-HP-250i	Pentair Commercial Inverter Heat Pump 250kW	61-250	6-16	750	40.8	400-415V	76	2480x1330x2360	938
PENTAIR COMMERCIAL HEAT PUMPS - FIXED SPEED (R410A)									
PWT-HP-38	Pentair Commercial Heat Pump 38kW	38	5.4	200	7.1	400-415V	12	1520x800x1340	252
PWT-HP-57	Pentair Commercial Heat Pump 57kW	57	4.5	325	12.8	400-415V	19	1520x800x1340	272
PWT-HP-95	Pentair Commercial Heat Pump 95kW	95	5.5	485	17.3	400-415V	29	2270x1170x2040	644
PWT-HP-120	Pentair Commercial Heat Pump 120kW	120	5.7	585	21.0	400-415V	38	2330x1220x2200	648
PWT-HP-145	Pentair Commercial Heat Pump 145kW	145	5.7	1035	25.5	400-415V	50	2330x1220x2200	664
PWT-HP-190	Pentair Commercial Heat Pump 190kW	190	5.8	1000	32.8	400-415V	71	2335x1220x2230	908

PWT COMMERCIAL HEAT PUMPS

HIGH PERFORMANCE HEAT PUMPS

DIMENSIONS*



Heat Pump Model	PWT-HP-38	PWT-HP-57	PWT-HP-95	PWT-HP-120	PWT-HP-145	PWT-HP-190
W(mm)	1490	1490	2170	2175	2175	2180
D(mm)	735	735	1070	1070	1070	1070
H(mm)	1130	1130	1920	2030	2030	2060
PORTS	50MM	50MM	110MM	110MM	110MM	110MM

Heat Pump Model	PWT-HP-68I	PWT-HP-135I	PWT-HP-250I
W(mm)	1195	2260	2540
D(mm)	980	1150	1330
H(mm)	1900	2130	2430
PORTS	50MM	110MM	110MM

*All dimensions in mm.



AUTOMATIC POOL CLEANERS

PROWLER 930

ROBOTIC INGROUND POOL CLEANER

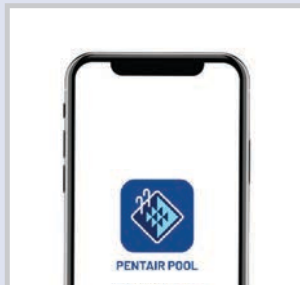


FEATURED HIGHLIGHTS:

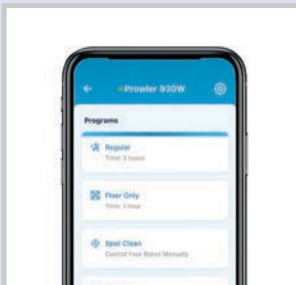
- WiFi control via the Pentair Home App for easy connectivity and smart-phone enablement.
- Easy access to top filtration basket that captures large and fine debris.
- A robust caddy for you to easily transport your pool cleaner from point A to point B.
- Customizable cleaning schedule so you're never overdue for a cleaning.
- Manual targeting of trouble spots for a truly pristine pool.
- Delayed start app feature allows you to clean now or clean later, so late-night swimmers won't be bothered.

The Prowler 930W Robotic Cleaner has all the easy, drop-in-and-go intelligence of all the Prowler family. But with the 930W's WiFi connectivity, all you need is the Pentair Home app to make pool cleaning truly hands-off and effortless.

SPECIAL FEATURES



Wifi Connectivity
Via the Pentair Pool App



Customisable Cleaning Features
Built-in weekly timer, fast-clean and delayed start features



Easy Access Top Basket
Capture small and large debris



Robust Caddy
Easily transports cleaner from pool to storage

ORDERING INFORMATION

Product	Description	Carton Dim. (mm).	Carton Wt. (Kg.)	Pallet Qty.
PROWLER 930				
360540-AU	Prowler 930W Robotic Pool Cleaner (Including Caddy)	600x500x500	18.7	8

*Terms and conditions apply

PROWLER 920

ROBOTIC INGROUND POOL CLEANER



FEATURED HIGHLIGHTS:

- All-surface deep cleaning with a powerful, high-speed scrubbing brush
- Fast and easy debris removal with a top access filtration basket
- Select from a large or fine debris filtration cartridges
- Programmable daily cleaning schedules with a built-in weekly timer

Pool walls and floor get deep-scrubbing and powerful vacuuming action, all the way up to the tile line. Prowler 920 comes with separate mesh baskets made for either large or fine debris, to customize the filtration level or do lightning-fast swap out for touchups.

SPECIAL FEATURES



All-Surface Deep Cleaning



Fast and Easy Debris Removal



Select From Large or Fine Debris Filtration Cartridges



Programmable Daily Cleaning Schedules

ORDERING INFORMATION

Product	Description	Carton Dim. (mm.)	Carton Wt. (Kg.)	Pallet Qty.
PROWLER 920				
360322-AU	Prowler 920 Robotic Inground Pool Cleaner	575x315x230	13.2	12
360141	Caddy Cart For Prowler Robotic Cleaner			

*Terms and conditions apply

REBEL[®] 2

AUTOMATIC VACUUM POOL CLEANER



FEATURED HIGHLIGHTS:

- Ideal for All Pool Types
- Easy Installation
- Clog-Free Cleaning
- More Cleaning Power
- Maneuvers Up and Over Obstacles
- More Thorough Cleaning Coverage
- 3 year limited warranty.*

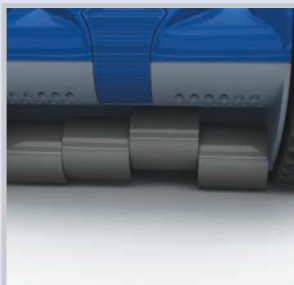
The Rebel[®] 2 cleaner's programmed steering and compact, two-wheeled design maneuvers from deep to shallow bottoms, up 90 degree floor-to-wall angles all the way to the water line, and into tight spaces that other cleaners miss.

A Sure-Flow Turbine passes dirt and debris, reducing the clogging that is common with other two-wheel cleaners. Installation is a snap—just set it and forget it.

SPECIAL FEATURES



Clog-Free Cleaning
Sure-Flow turbine design captures debris, large and small.



Maneuvers Up & Over Obstacles
Dual-action roller skirt and upgraded chassis design provide uninterrupted cleaning.



More Cleaning Power
Enhanced hydraulic design perfectly complements variable speed and flow pumps.



More Thorough Cleaning Coverage
SmartTrac[™] programmed steering and Steady-grip tyre traction for superior floor-to-wall cleaning.

ORDERING INFORMATION

Product	Description	Carton Dim. (mm)	Carton Wt. (Kg.)	Pallet Qty.
REBEL 2				
360473-AU	Rebel [®] 2 Automatic Vacuum Pool Cleaner	1067x387x229	6.5	25

*Terms and conditions apply

MAKO SHARK

AUTOMATIC INGROUND POOL CLEANER



Mako Shark features many design elements shared by one of the most popular suction-side cleaner in history, the Hammerhead™. Then we added performance features to make the Mako Shark relentless in its pursuit of dirt and debris, while keeping it affordable and sensationally dependable.



FEATURED HIGHLIGHTS:

- Superior vacuum power and extra-wide mouth capture large and small debris with ease
- Superior seal design includes specially engineered “fingers” to assure the unit won’t get stuck or thrown off course by main drains, tight corners, eyeball fittings, and lights
- Built-in bumper assures free movement around steps and ladders for total cleaning coverage and uninterrupted, hands-free operation
- Installs in minutes without tools to skimmer
- Sound dampening casing
- 3 year limited warranty.*

ORDERING INFORMATION

Product	Description	Carton Dim (mm).	Carton Wt. (Kg.)	Pallet Qty.
MAKO SHARK				
M0721BG	Mako Shark Inground Pool Cleaner	1025x365x165	6.5	41

*Terms and conditions apply.
^Not suitable for vinyl liner pools.

HAMMERHEAD

AUTOMATIC INGROUND POOL CLEANER



Hammerhead features a new, patented silent flapper design. This sole operational moving part creates the kinetic energy that powers the Hammerhead around the pool. Elegantly simple and highly reliable, this dependable design has been proven in more than 2 million pools worldwide.



FEATURED HIGHLIGHTS:

- Only one operational moving part.
- UV stable and chemical resistant.
- No bags or compartments to empty or replace, dirt and debris go right into your filtration equipment where it belongs.
- No booster pump required to operate.
- Sleek, compact design increases maneuverability for best cleaning performance.
- 3 year limited warranty.*

ORDERING INFORMATION

Product	Description	Carton Dim. (mm).	Carton Wt.(Kg.)	Pallet Qty.
HAMMERHEAD				
K0720	Hammerhead Inground Pool Cleaner	1020x280x210	6.5	32

*Terms and conditions apply

GREAT WHITE II

FOR INGROUND SWIMMING POOLS



FEATURED HIGHLIGHTS:

- 38cm wide cleaning path for faster cleaning
- Oversized vacuum inlet for picking up large debris
- SmartTrac™ programmed steering.
- Bristle-drive technology
- 3 year limited warranty.*

The new Great White II Suction-Side Inground Cleaner is the solution to getting your pool sparkling clean. Just attach the hose, and its unique Bristle-Drive™ Technology goes to work scrubbing tough dirt from pool surfaces. Both small and large debris disappear into the oversized vacuum inlet for a complete and uninterrupted cleaning.

SPECIAL FEATURES



Wide Cleaning Path
Captures more dirt and debris in a single pass for a faster clean.



Smarttrac Programmed Steering
Navigates around pool obstacles for uninterrupted cleaning.



Bristle-Drive Technology
Provides deep-cleaning scrubbing action.

ORDERING INFORMATION

Product	Description	Carton Dim. (mm).	Carton Wt. (Kg.)	Pallet Qty.
GREAT WHITE II				
360151-AU	Great White II Automatic Pool Cleaner for Inground Pools	1060x300x225	8	30

*Terms and conditions apply



PENTAIR
POOL

POOL SANITISERS

POSI-CHLOR

SALT WATER CHLORINATOR



FEATURED HIGHLIGHTS:

- Adjustment of chlorine production by switched mode power supply
- Power supply performance >90%
- Automatic switch-off owing to lack of water flow.
- Automatic switch-off owing to the accumulation of gas in the cell, with automatic restart once the water flow is restored.
- Automatic voltage adjustment depending on the concentration of salt and the temperature, keeping continuous chlorine production.
- Automatic and adjustable reverse polarity cleaning cycle.
- Automatic restart in the event of supply failure.
- 3-Year warranty.
- Available in three configurations; Basic - with convenient adjustment of chlorine output, pH - with an automatic probe-free adjustment of pH, and Advanced - with probes and full automatic control of pH and chlorine (ORP).

How the Posi-Chlor salt water chlorinator works:

Saline electrolysis is a reversible process, meaning that once active elements react with organisms present in the water, it reverts to common salt and water.

The equipment includes an electronic monitoring and regulation control and an electrolysis cell through which the pool water flows and which is installed in the filtration circuit.

ORDERING INFORMATION

Product	Description	Cl Output (g/hr)	Supply Voltage (VAC)	Output Voltage (VDC)	Output Current (A)	Carton Dim. (mm)	Carton Wt. (Kg)	Pallet Qty.
POSI-CHLOR SALT WATER CHLORINATOR								
PCL-15	POSI-CHLOR SALT CHLORINATOR 15G/HR	15	230-240	21VDC	3.75	570x420x260	10	24
PCL-25	POSI-CHLOR SALT CHLORINATOR 25G/HR	25	230-240	21VDC	5.75	570x420x260	10.5	24
PCL-35	POSI-CHLOR SALT CHLORINATOR 35G/HR	35	230-240	21VDC	8.75	570x420x260	11	24
POSI-CHLOR SALT WATER CHLORINATOR WITH ALGORITHM pH CONTROL								
PCL-15-PH	POSI-CHLOR SCG 15G/HR + PH PUMP	15	230-240	21VDC	3.75	570x420x260	11	24
PCL-25-PH	POSI-CHLOR SCG 25G/HR + PH PUMP	25	230-240	21VDC	5.75	570x420x260	11.5	24
PCL-35-PH	POSI-CHLOR SCG 35G/HR + PH PUMP	35	230-240	21VDC	8.75	570x420x260	12	24
POSI-CHLOR SALT WATER CHLORINATOR WITH AUTOMATIC pH/ORP CONTROL								
PCL-15-PHORP	POSI-CHLOR SCG 15G/HR + PH/ORP	15	230-240	21VDC	3.75	570x420x260	12	24
PCL-25-PHORP	POSI-CHLOR SCG 25G/HR + PH/ORP	25	230-240	21VDC	5.75	570x420x260	12.5	24
PCL-35-PHORP	POSI-CHLOR SCG 35G/HR + PH/ORP	35	230-240	21VDC	8.75	570x420x260	13	24

*Terms and conditions apply

*All dimensions in mm.

SR SERIES CHLORINATOR

SALT WATER CHLORINATOR



FEATURED HIGHLIGHTS:

- Fully Automated
- Optional pH system keeps the pH of your water in the correct range. This ensures that the sanitiser works with optimal efficiency and keeps your water balanced.
- Proudly manufactured in Australia.
- Intuitive touch-pad electronic control.
- Reverse-polarity, self-cleaning cell.
- Certified to Australian Standards.
- Additional timed power outlets for connecting pool lighting or other accessories (optional).
- Battery-backed up digital clock (all models).
- Self diagnostics including gas detection, dry-run, low water temperature and low/high salt alarms.
- 3-Year warranty.

The Sta-Rite® SR Series Salt Water Chlorinator is a fully automated system and is proudly made in Australia. Digital control, battery back-up and self cleaning (reverse polarity) as standard. It is available in two sizes – 20g/hr and 30g/hr – and is available with optional two additional timed power outlets.

The add on pH system maintains your pool water in the correct pH range – making the SR series one of the most efficient and smartest salt chlorinators on the market.

ORDERING INFORMATION

Product	Description	Cl Output (g/hr)	Cal. Hypo Equiv. (65%)	Sod. Hypo. Equiv. (12.5%)	Supply Voltage (VAC)	Carton Dim. (mm)	Carton Wt. (Kg)	Pallet Qty.
SR SALT WATER CHLORINATOR								
SR-20	SR Salt Chlorinator 20g/hr	20	31g	160ml	230-240	392x325x163	13	24
SR-30	SR Salt Chlorinator 30g/hr	30	46g	240ml	230-240	392x325x163	13	24
SR-20T	SR Salt Chlorinator 20g/hr light/Aux	20	31g	160ml	230-240	392x325x163	13	24
SR-30T	SR Salt Chlorinator 20g/hr light/Aux	30	46g	240ml	230-240	392x325x163	13	24
SR-PH	SR pH Upgrade	-	-	-	-	-	-	-
SR-45	SR Salt Chlorinator 45g/hr	45	69g	360ml	230-240	Call	Call	Call
SR-45-PH	SR Salt Chlorinator 45g/hr + pH doser	45	69g	360ml	230-240	Call	Call	Call
SR-60	SR Salt Chlorinator 60g/hr	60	92g	480ml	230-240	Call	Call	Call
SR-60-PH	SR Salt Chlorinator 60g/hr + pH doser	60	92g	480ml	230-240	Call	Call	Call

*All dimensions in mm.

FREEFLO CHLORINATOR

SALT WATER CHLORINATOR



MINERAL SALT COMPATIBLE



CHLORINE OUTPUT LEDS
EASY CHLORINE CONTROL
DIGITAL TIMER
ELECTROLYTIC CELL



FEATURED HIGHLIGHTS:

- "Simple but Reliable"
- Low salt operation: 3500-4500ppm (0.35% - 0.45%)
- Over temperature protection
- High efficiency toroidal transformer
- Premium grade titanium cell
- Over current protection
- Reverse-polarity, self-cleaning cell
- Silicon controlled rectification
- Very high chlorine production
- Acrylic weather shield
- High impact ABS plastic cell housing
- Digital timer with battery back up.
- Manufactured in Australia.
- 3-Year full replacement powerpack warranty.
5-Year pro-rata warranty on cell.

Electrolytic chlorine generation is the easiest, most effective and convenient way to keep pool water sparkling clean. Designed for the budget conscious pool owner, the FreeFlo series by Pentair live up to its motto "Simply Reliable".

The Freeflo salt chlorinator is engineered to stand up to the toughest pool conditions and provide years of dependable service. The FreeFlo chlorinator can be connected to Pentair's solenoid dosing system for a pH perfect pool.

ORDERING INFORMATION

Product	Description	Cl Output (g/hr)	Cal. Hypo. Equiv. (65%)	Sod. Hypo. Equiv. (12.5%)	Supply Voltage (VAC)	Output Voltage (VDC)	Output Current (A)	Carton Dim. (mm)	Carton Wt. (Kg)	Pallet Qty.
FREEFLO SALT WATER CHLORINATOR - QUARTZ TIMER (BATTERY BACKUP)										
FFCL-15-RPD	FreeFlo Salt Chlorinator 15g/hr	15	23g	120ml	230-240	8.5	15	410x370x250	12	32
FFCL-25-RPD	FreeFlo Salt Chlorinator 25g/hr	25	38g	200ml	230-240	8.5	25	410x370x250	13	32
FFCL-35-RPD	FreeFlo Salt Chlorinator 35g/hr	35	54g	280ml	230-240	8.5	35	410x370x250	14	32
FFCL-50-RPD	FreeFlo Salt Chlorinator 50g/hr	50	76g	400ml	230-240	9.5	25	410x370x250	14	32
FREEFLO SALT WATER CHLORINATOR - DUAL OUTLET										
FFCL-25-RP2	FreeFlo Salt Chlorinator 25g/hr	25	38g	200ml	230-240	8.5	25	410x370x250	13	32
FFCL-35-RP2	FreeFlo Salt Chlorinator 35g/hr	35	54g	280ml	230-240	8.5	35	410x370x250	14	32

*Terms and conditions apply

*All dimensions in mm.

INTELLICHEM

CHEMICAL CONTROLLER



FEATURED HIGHLIGHTS:

- Auto Setup/Configuration wizard makes start-up quick and easy
- Programmable chemical feed cycle and mix times for precise water balance
- Assures safe water conditions by preventing excess chemical addition.
- Built-in Langelier Saturation Index calculator lets you know when your water chemistry is perfectly in or out of balance
- Minimizes chemical costs by adding chemicals with precision
- Flow sensor ensures chemicals won't feed without system flow
- Password-protected access prevents tampering or accidental program change
- Seamless interface with IntelliTouch®, EasyTouch®, SunTouch® Automation Systems and ScreenLogic2™ Interface for superior chemical management
- Compatible with external dosing pumps, and CO2 systems.
- 2-Year limited warranty*

The IntelliChem Chemical Controller automatically monitors pool pH and sanitizing levels and delivers just the right amount of chemicals. IntelliChem Chemical Controller can work independently or in conjunction with other Pentair automation products. It's built-in Langelier Saturation Index

calculator lets pool owners know when the water is in or out of balance. IntelliChem Chemical Controller uses the same technology found in commercial installations, water parks, hotel and community pools.

ORDERING INFORMATION

Product	Description	Application	Supply Voltage (VAC)	Full Load Current (A)	Carton Dim. (mm)	Carton Weight (kg)	Pallet Qty.
INTELLICHEM CHEMICAL CONTROLLER							
521357-AU	IntelliChem with no pumps	For systems using external feed pumps, or external sanitation systems.	230-240	1.2	584x355x254	4	20
521489-AU	IntelliChem with 1 pump	For systems using salt chlorinator and acid.	230-240	1.2	584x355x254	4.2	20
521355-AU	IntelliChem with 2 pumps	For systems using liquid chlorine and acid.	230-240	1.2	584x355x254	4.85	20

*All dimensions in mm.

PURASHIELD

UV AND OZONE SANITISERS



Optional UV+Ozone unit



FEATURED HIGHLIGHTS:

- Neutralises harmful bacteria & pathogens instantly
- Reduces chlorine usage by up to 50%
- Commercial-grade sterilisation power
- Integrated flow switch with automatic start
- Digital countdown timer and lifetime meter
- Glow-through sight glass to check system operation
- Long-life UV-C lamps
- Mirror-polished stainless steel (AISI-316L)
- UV chamber increases efficiency up to 35%
- 2 year warranty

The new PuraShield® UV from Pentair harnesses the power of ultraviolet light to assist with the elimination of organic matter like bacteria and viruses that lead to the reduction in chloramines and the amount of chlorine needed to maintain clean pool water.

*40mJ/cm2 - Inactivation of Cryptosporidium and other chlorine tolerant pathogens.
 **60mJ/cm2 - Additional breakdown of Chloramines for great improved air and water quality.
 #UV working wavelength

KEY FEATURES



Digital countdown timer and lifetime meter



Integrated flow switch with automatic start



Glow-through sight glass to check system operation



Multi-way connectors

ORDERING INFORMATION

Product	Description	Output Power	Max Flow Rate (40mJ/cm2)*	Max Flow Rate (60mJ/cm2)**	Lamp Lifetime (hours)	Max Ozone Prod'n	Carton Dim. (mm)	Carton Wt. (Kg)	Pallet Qty.
PURASHIELD® UV									
PSUV-75	PuraShield® UV	75W	200	133	9,000	N/A	110X35X20CM	11kg	12
PSUV-130	PuraShield® UV	130W	275	183	12,000	N/A	110X35X20CM	11kg	12
PURASHIELD® UV + OZONE									
PSUV-87-03	PuraShield® UV +Ozone	87W	175	117	10,000	0.6g/hr	110X35X20CM	12kg	12

RAINBOW

AUTOMATIC CHLORINE/BROMINE FEEDERS



FEATURED HIGHLIGHTS:

- 300 and 320 series filters available in clear amber for easy tablet level monitoring
- Completely enclosed system – no special venting required
- No escaping gases
- 345kPa / 50psi maximum operating pressure

In-Line Feeders

- **320 Series.** For permanent installation in return line of new or existing pools or spas. Installs in return line on pressure side of pump downstream of all equipment. Standard with 2" slip PVC fittings and adapters for 1-1/2".

Off-Line Feeders

- **300 Series.** Retrofits into existing pools or spas. Operates on pressure side of pump. Uses 1/4" feeder hoses, control valve and fittings.
- 1-Year full replacement warranty.

Years of customer use and satisfaction have proven Rainbow feeders to be the performance leader in pool & spa chemical dispensers.

ORDERING INFORMATION

Product	Model	Description	Carton Qty.	Carton Wt. (kg)
IN-LINE FEEDERS				
R171096	320	Holds 11 large or 98 small Bromine or slow dissolving Trichlor tablets. Treats 25,000 to 100,000 litres bottom feed and 68,000 to 265,000 litres top feed.	1	15
R171218	320C	Holds 11 large or 98 small Bromine or slow dissolving Trichlor tablets. Treats 25,000 to 100,000 litres in a bottom feed configuration and 68,000 to 265,000 litres in a top feed configuration with see-through amber body.	1	15
OFF-LINE FEEDERS				
R171016	300	Holds 11 large or 98 small tablets. Treats 45,000 to 180,000 litres.	1	13
COMMERCIAL AND HIGH CAPACITY FEEDERS				
R171230	HC-3330	High capacity for 1 in. hard plumbing installations. Holds 15kg of tablets. Treats up to 150,000 litres with Bromine and up to 600,000 litres with Trichlor.	1	6
ACCESSORIES				
R172288		Corrosion Resistant Check Valve 40mm/1-1/2"		
R172323		Corrosion Resistant Check Valve 1/4" tube x tube		
R172324NS		Special check valve for outward flow on below water installations.		
R171099		Hi-Flo kit for 320 and 322.		
R172037		Spa Chamber for 300, 302, 320		
R172093		1/2" Tubing 100ft. Roll		
R172086		1/2" Control Valve		

*Terms and conditions apply

Note: Rainbow Automatic Chlorine/Bromine feeders are for use with slow dissolving trichlor or bromine tablets only.

NOTES:

A series of horizontal dotted lines for taking notes.

The background of the page is a photograph of a swimming pool. In the foreground, there is a dark blue diagonal graphic element. The pool water is visible, and a glass railing with black metal posts runs across the middle ground. In the background, a white building with a chimney is visible under a clear blue sky.

POOL SANITISERS

COMMERCIAL

BIOSHIELD

COMMERCIAL UV DISINFECTION SYSTEM



Establishing a bio-secure swimming facility begins at the pool design stage. Low-pressure UV systems are a proven solution to harmful water borne pathogen problems and irritating chloramines. Pentair BioShield Commercial UV systems provide instant protection against Cryptosporidium, Giardia and remove chloromines.

FEATURED HIGHLIGHTS:

- Energy efficient Low Pressure UV converts up to 30-40% energy into UV-C light
- Cost effective UV inhibited Schedule 80 PVC vessels stand up to UV degradation and corrosion caused by pool water
- Conserve free-chlorine by as much as 30% compared to Medium Pressure UV systems
- Quality American-made, low-pressure Amalgam UV lamps offer up to 12,000 hours of continuous operation
- Low temperature lamps conserve energy and negate the need for quartz sleeve wiper systems
- Single-end UV lamp and quartz sleeve access for easy servicing
- Choice of input / output piping connections
- Water-tight design protects all electrical hardware from water damage.
- Enhanced, state of the art electronic ballast, sized precisely to the lamp's power requirement, ensures optimal UV-C output and maximum useful lamp life
- Most effective and efficient UV-spectral power distribution

Bio-Shield Controller/Power Centre



All BioShield UV system models feature our user-friendly, microprocessor-based controller/ monitor. This sophisticated instrumentation features a menu driven digital interface with touch pad controls for easy command initiation.

Features:

- Menu-Driven, Digital Interface
- Power Enclosure Over-Temp. Safety Shut-Down
- Vessel Over-Temp. safety Shut-Down
- Individual Lamp Status and Re-settable Hour Meter
- Master System Hour Meter
- Low-High Voltage Set-points/Shut-down
- Output Alarm Relay
- RS232 Data Port
- UV Intensity Monitor (1% - 100% Scale)
- Thermoplastic NEMA 12X Enclosure
- External Power Switch
- 10 or 20 Foot Lamp Cables
- Enclosure Cooling Fan
- Optional Features:
 - ◊ Water Flow Meter
 - ◊ ORP Meter
 - ◊ pH Meter
 - ◊ Ethernet Port
 - ◊ 4-20 milliamp Output Port
 - ◊ UV Dose Tracking
 - ◊ Data Logging

BIOSHIELD

COMMERCIAL UV DISINFECTION SYSTEM

SIZING YOUR BIOSHIELD™ UV SYSTEM

- Establishing flow rate requirements** in LPM is critical to selecting the correct UV system for your application.
- Know your UVT and Target Dose.** Particles suspended in water will absorb or reflect UV, even if the water looks “clear”. UVT is a measure of how much UV-C (at 254nm) will pass through the specific water to be treated. Pentair has selected 90% UVT as a reasonably conservative value in our sizing charts. Other manufacturers may use a higher UVT% which will greatly overrate their flow capacity compared to that at 90% UVT. The best way to know your UVT is to measure it. Target Dose depends on the intended purpose of the UV reactor. While this can be complicated, the following rules-of-thumb are often used at minimum:

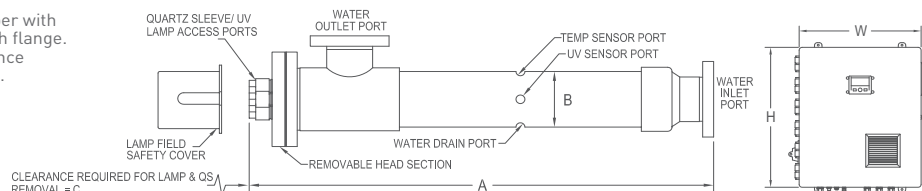
UV Dose	Commercial Application
40 mJ/cm ²	Inactivation of Cryptosporidium and other chlorine tolerant pathogens
60 mJ/cm ²	Additional breakdown of Chloramines for greatly improved air and water quality

- Choose your BioShield UV System model.** Select desired UV dose column below. Identify maximum flow rate that meets system flow rate requirement. Complete this step for model CLP4 or CLP6 and with provided vessel and power enclosure dimensions, choose the best model suited for the mechanical space. *Note: Small port size may restrict actual maximum flow rate.

Model ²	Lamps/Watts	UV-C Spectrum Output Watts	Max Flow Rate @ 90% UVT 40 mJ/cm ² (LPM)	Max Flow Rate @ 90% UVT 60 mJ/cm ² (LPM)	Port Size	Max Flow for Port Size (LPM)	Max Load @ 230 VAC (A)	UV Vessel Dimensions ³ (A x B x C)(CM)	Power Enclosure Dimensions (H x W x D) (CM)	Max (kPa)
CLP41A6-XN	1/130	40	185	125	2"	-	1.0	142 x 15 x 119	41 x 36 x 21	1000
CLP42A6-XN	2/130	80	340	227	2" 3"	*242 -	2.0	142 x 15 x 119	41 x 36 x 21	1000
CLP43A6-XN	3/130	120	473	314	3"	-	2.9	142 x 15 x 119	41 x 36 x 21	1000
CLP43A8-XN	3/130	120	632	420	3" 4"	*545 -	2.9	157 x 20 x 130	41 x 36 x 21	1000
CLP44A8-XN	4/130	160	859	572	3" 4"	*545 -	3.7	157 x 20 x 130	51 x 41 x 21	1000
CLP45A8-XN	5/130	200	1030	685	4" 6"	*950 -	4.7	157 x 20 x 130	62 x 51 x 27	1000
CLP46A10-XN	6/130	240	1382	924	4" 6"	*950 -	5.6	163 x 25 x 130	62 x 51 x 27	825
CLP47A10-XN	7/130	280	1628	1086	6"	-	6.5	163 x 25 x 130	62 x 51 x 27	825
CLP47A12-XN	7/130	280	1862	1242	6"	-	6.5	175 x 30 x 130	62 x 51 x 27	620
CLP48A12-XN	8/130	320	2101	1397	6"	-	7.5	175 x 30 x 130	77 x 61 x 32	620
CLP61A6-XN	1/320	98	428	284	2" 3"	*242 -	1.6	216 x 15 x 193	62 x 51 x 27	1000
CLP62A6-XN	2/320	196	757	503	3" 4"	*545 -	3.0	216 x 15 x 193	62 x 51 x 27	1000
CLP63A6-XN	3/320	294	1056	704	4" 6"	*950 -	4.5	216 x 15 x 193	62 x 51 x 27	1000
CLP63A8-XN	3/320	294	1408	935	4" 6"	*950 -	4.5	218 x 20 x 193	62 x 51 x 27	1000
CLP64A8-XN	4/320	392	1912	1272	6"	-	6.0	218 x 20 x 193	62 x 51 x 27	1000
CLP65A8-XN	5/320	490	2294	1526	6" 8"	*2154 -	7.5	218 x 20 x 193	62 x 51 x 27	1000
CLP66A10-XN	6/320	588	3081	2052	6" 8"	*2154 -	9.0	224 x 25 x 193	77 x 61 x 32	825
CLP67A10-XN	7/320	686	3607	2415	6" 8"	*2154 -	11.0	224 x 25 x 193	77 x 61 x 32	825
CLP67A12-XN	7/320	686	4145	2760	8" 10"	*3770 -	11.0	229 x 30 x 193	77 x 61 x 32	620
CLP68A12-XN	8/320	784	4675	3115	8" 10"	*3770 -	13.0	229 x 30 x 193	77 x 61 x 32	620
CLP69A14-XN	9/320	882	5534	3687	8" 10"	*3770 -	14.0	234 x 36 x 193	77 x 61 x 32	350
CLP610A16-XN	10/320	980	6397	4266	10" 12"	*5932 -	16.0	239 x 41 x 193	77 x 61 x 32	350
CLP611A18-XN	11/320	1078	7431	4951	10" 12"	*5932 -	17.0	239 x 46 x 193	103 x 83 x 32	350
CLP612A20-XN	12/320	1176	8839	5886	10" 12" 14"	*5932 *8396 -	19.0	249 x 51 x 193	103 x 83 x 32	350

² When ordering: Replace 'X' in part number with requested flange size; eg. '2' for two-inch flange.

³ Vessel dimension "C" represents clearance requirement for glassware maintenance.



PWT-MPUV

MEDIUM PRESSURE UV DISINFECTION SYSTEM



FEATURED HIGHLIGHTS:

- Significant reduction of chloramines for improved water quality.
- Medium-pressure UV lamps deliver superior oxidation performance.
- Advanced microprocessor control with integrated data logging.
- Connectivity to building management systems
- Standard automatic wiper system for optimal efficiency.
- Quick and easy lamp replacement for minimal downtime.
- Durable 316L stainless steel reactor vessel for long-lasting reliability.

Medium-pressure UV systems not only target harmful microorganisms like *Cryptosporidium parvum* and *Giardia lamblia*, which are resistant to standard chlorine levels, but they also play a crucial role in reducing chloramines. Chloramines form when chlorine reacts with organic

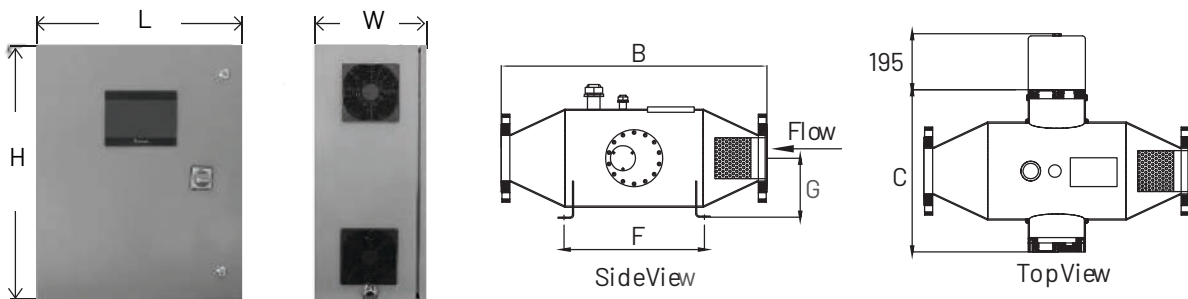
pollutants in pool water, leading to eye and skin irritation and unpleasant odors. By minimizing chloramine formation, UV treatment improves water quality, enhances swimmer comfort, and creates a safer, more enjoyable swimming environment.

ORDERING INFORMATION

Model	Description	Max. Flow Rate (m ³ /hr)*	Lamp Power (kW)	VOLTAGE (VAC)	Dimensions						
					L	W	H	B	C	F	G
PWT-MPUV-1000	Pentair Medium Pressure UV System 1kW	40	1.0		600	300	600	740	422	300	200
PWT-MPUV-1500	Pentair Medium Pressure UV System 1.5kW	60	1.5		600	300	700	740	422	300	200
PWT-MPUV-2000	Pentair Medium Pressure UV System 2.0kW	105	2.0		600	300	700	800	422	400	200
PWT-MPUV-2500	Pentair Medium Pressure UV System 2.5kW	145	2.5	230-240 ~1P	600	300	700	820	585	400	275
MWT-MPUV-3000	Pentair Medium Pressure UV System 3kW	170	3.0	OR	600	300	700	820	585	400	275
MWT-MPUV-4000	Pentair Medium Pressure UV System 4kW	220	4.0(2x 2.0)	400-415 ~3P	700	300	1100	890	422	450	225
MWT-MPUV-5000	Pentair Medium Pressure UV System 5kW	300	5.0(2x 2.5)		700	300	1100	890	585	450	275
MWT-MPUV-6000	Pentair Medium Pressure UV System 6kW	355	6.0(2x 3.0)		700	300	1100	890	585	450	275
MWT-MPUV-7000	Pentair Medium Pressure UV System 7kW	415	7.0(2x 3.5)		700	300	1100	890	585	450	275

*Maximum flow rate is for 60mJ/CM2 @90% UVT.

DIMENSIONS





POOL AUTOMATION

INTELLICENTER

POOL/SPA AUTOMATION SYSTEM



FEATURED HIGHLIGHTS:

- Easy to use, intuitive user interface on touchscreen interfaces with multiple controller options.
- Built-in connectivity for iOS and Android mobile digital devices, including the Apple Watch® wrist-wearable devices and Amazon Echo®.
- Controls pools remotely from anywhere in the world including at home, abroad or work.
- Pumps, heat pumps, chemical controllers, gas heaters and more can be controlled by IntelliCenter.
- Almost limitless control capability with multiple unit connection multi-body control. Connect up to 4 pools.
- Optional IntelliChlor chlorinator add-on for smart sanitizer control.
- 2-Year Warranty*

IntelliCenter features new color touchscreen interfaces at the equipment pad as well as via an optional wireless poolside remote. Its razor-sharp screen clarity and step-by-step instructions make operation a cinch. IntelliCenter also has enhanced voice command capabilities, has builtin connectivity for iOS and Android mobile digital devices and can even provide real-time email alerts when an issue requires attention.

ORDERING INFORMATION

Product	Description	High Voltage Circuits	Carton Dim. (mm)	Carton Weight (kg)	Pallet Qty.
INTELLICENTER POOL AUTOMATION SYSTEMS - HARD WIRED					
521904-AU	IntelliCenter i8PS - Pool Automation System for Pool/Spa Systems.	8	550x470x180	20	24
521915-AU	IntelliCenter i10D - Pool Automation System for Dual Body Pool & Spa Systems.	10	550x470x180	20.5	24
522034-AU	IntelliCenter i10X - Expansion System	10	550x470x180	20.5	24
521903-AU	IntelliCenter i8PS + IntelliChlor Power - Pool Automation System for Pool/Spa Systems	8	550x470x180	21	24

*Terms and conditions apply
 iPhone®, iPad®, and iPod Touch® are registered trademarks of Apple Inc.

INTELLICENTER PNP

POOL/SPA AUTOMATION SYSTEM



FEATURED HIGHLIGHTS:

- Easy to use, intuitive user interface on touchscreen interfaces with multiple controller options.
- Built-in connectivity for iOS and Android mobile digital devices, including the Apple Watch® wrist-wearable devices and Amazon Echo®.
- Controls pools remotely from anywhere in the world including at home, abroad or work.
- Pumps, heat pumps, chemical controllers, gas heaters and more can be controlled by IntelliCenter.
- Almost limitless control capability with multiple unit connection multi-body control. Connect up to 4 pools.
- Optional IntelliChlor chlorinator add-on for smart sanitizer control.
- 2-Year Warranty*

Give your customers the ultimate control over their backyard paradise with IntelliCenter Control System for Pool and Spa! The new IntelliCenter makes it easier and more intuitive than ever for customers to control their pool with their familiar iOS® or Android® mobile devices from anywhere in the world.

ORDERING INFORMATION

Product	Description	High Voltage Circuits	Carton Dim. (mm)	Carton Weight (kg)	Pallet Qty.
INTELLICENTER POOL AUTOMATION SYSTEMS - PLUG N PLAY					
521904-PNP	IntelliCenter i8PS - Pool Automation System for Pool/Spa Systems.	8	550x470x180	20	24
521903-PNP	IntelliCenter i8PS + IntelliChlor Power - Pool Automation System for Pool/Spa Systems	8	550x470x180	21	24

*All dimensions in mm.

INTELLICENTER

ACCESSORIES



Multiple selections of the following interfaces can be used with the IntelliCenter automation system.



Wireless Control



SpaCommand



iS4



IntelliValve



Indoor Control (wired)



Valve Expansion Module



Pool Cover Input Card



Standard CVA

Product	Description
INTELLICENTER CONTROL INTERFACES	
522036-AU	IntelliCenter Wireless Remote (incl. transceiver, charge cradle and wall mount)
522035	IntelliCenter Indoor Control Panel
SPA-SIDE REMOTES	
521178	SpaCommand Remote, White with 150 ft. cable
521177	SpaCommand Remote, Black with 250 ft. cable
521889	iS4 Remote with 250ft cable (White)
521890	iS4 Remote with 250ft cable (Grey)
521894	iS4 Remote with 250ft cable (Black)
VALVE ACTUATORS	
521485	IntelliValve Digital Valve Actuator
263045	Standard Valve Actuator (CVA)
ACCESSORIES	
522038Z	Valve expansion module (add 6 valve actuators)
522039Z	Pool cover input card
ES03	Emergency Shut-Off Switch w/Audible Alarm
520818	Com Port Expansion Module
RYALX	Adaptor to connect 2 relays off one auxiliary output
CRALX	Adaptor to run 1 relay off either of two auxiliary outputs
521180	Spa Command Mud Box
522101	Solar Temperature Sensor
RCS1	Stainless Steel Spa-side Jets Switch

*Terms and conditions apply

INTELLICHLOR PLUS

SALT CHLORINATOR FOR AUTOMATION



FEATURED HIGHLIGHTS:

- IntelliChlor™ cleans itself with an automatic reverse cycling feature that helps prevent scale build-up for longer cell life.
- Easily manage chlorine addition using your EasyTouch® system controller and automatically adjust chlorine output between pool and spa modes.
- All performance data is visually displayed on cell via LED lights, making it easy to maintain perfect water.
- Integrated sensors ensure water flow is adequate for safer chlorine generation. Automatic shut-off feature protects the unit and prolongs cell life.
- Optional IntelliChem chemical controller for fully automated, pH/ORP controlled water chemistry.
- 3-Year Warranty*

EasyTouch® and IntelliCenter® Pool Automation Systems are now available with built-in IntelliChlor™ power. The IntelliChlor™ is the most technologically advanced salt chlorine generator you can buy.

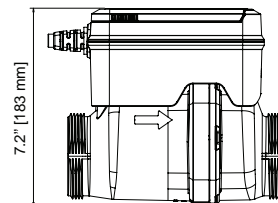
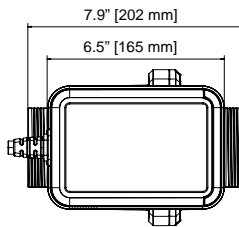
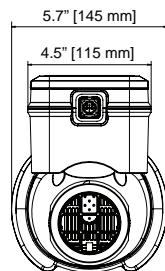
What's more, by adding an IntelliChlor™ salt chlorinator to your EasyTouch® system, you'll automate the sanitisation job for a much lower investment.

ORDERING INFORMATION

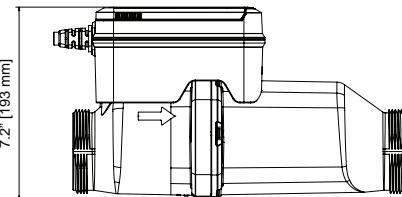
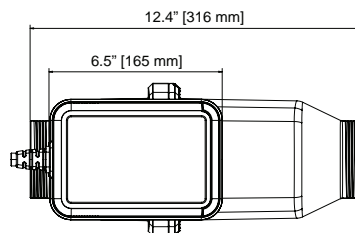
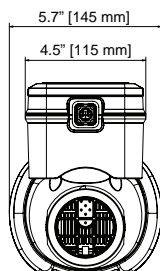
Product	Description	Cl Output (g/hr)	Cal. Hypo. Equiv. (65%)	Sod. Hypo. Equiv. (12.5%)	Carton Dim. (mm)	Carton Weight (kg)	Pallet Qty.
INTELLICHLOR SALT CHLORINATORS FOR INTELLICENTER							
523741	IntelliChlor Cell 10g/hr (IC15)	10	16g	80ml	315x165x190	2.7	105
523730	IntelliChlor Cell 20g/hr (IC30)	20	31g	160ml	315x165x190	2.7	105
523735	IntelliChlor Cell 30g/hr (IC40)	30	46g	240ml	315x165x190	6.3	105
523738	IntelliChlor Cell 40g/hr (IC60)	40	62g	320ml	315x165x190	7.3	105

DIMENSIONS*

LT15 / PLUS 30



PLUS 40 / PLUS 60



INTELLIVALVE

VALVE ACTUATOR



FEATURED HIGHLIGHTS:

- Exclusive thirteen (13) LEDs give precise, easy-to read indication of valve position.
- Built-in interface allows quick and simple set-up of water flow.
- Sleek, minimalist design is compact and fits easily within any equipment pad
- Sealed, maintenance-free design is weatherproofed for maximum reliability and extended service life
- Suitable for 1.5", 2", 2.5" and 3" valve sizes.
- 24-volt operation for use with standard automation systems.
- 750 mA max amp draw.
- Adjustable 3.75-degree increments within the maximum 180-degree swing
- 2 years limited warranty.

The revolutionary IntelliValve Valve Actuator lets you set just the right flow for water features. Its intuitive controls and LED position indicator lights make operation fast and push-button easy.

Thirteen (13) bright LEDs provide a clear visual indication of the valve position from fully open to fully closed and everywhere in between. Simply use the clockwise/anti-clockwise and save buttons to set the perfect flow rate in just seconds.

ORDERING INFORMATION

Product	Description	Carton Dim. (mm)	Carton Weight (Kgs.)	Carton Qty.
INTELLIVALVE VALVE ACTUATOR				
521485	IntelliValve Valve Actuator			8

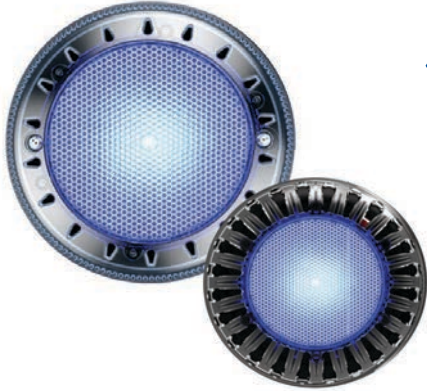
*Terms and conditions apply



POOL LIGHTS & WATER FEATURES

INTELLIBRITE COMPATIBLE LED LIGHTS

BY SPA ELECTRICS



IntelliBrite

Compatible LED lights

FEATURED HIGHLIGHTS:

- High intensity Ceramic light Engine (LED) technology
- Market leading brightness and efficiency
- Multi-Colour RGB light source
- Direct- Connection Patented detachable electrical connection
- Clear Rim Colour
- Suitable fo Concrete and Fibreglass pools
- IPX8 waterproof rating

IntelliBrite compatible LED lights from Spa Electrics represent a new generation in pool lighting. IntelliBrite lights feature 12 different operating modes and a RGB + White LED array, providing beautifully clean white illumination and sunning colour shows.

IntelliBrite lights are fully compatible with IntelliTouch® and EasyTouch® control systems, providing a range of options from indoor control panels to wireless remotes or screen logic on your computer or favourite mobile device. This allows you to operate your pool lights via the standard wall switch, control panel or mobile app.

ORDERING INFORMATION

Product	Description	Voltage (VAC)	Power (W)
INTELLIBRITE COMPATIBLE			
805000	Atom EMC Multi Plus LED Light + Concrete Niche + 20m Cable + LV25 Transformer (1 Pack)	12	12
805001	Atom EMC Multi Plus LED Light + Concrete Niche + 20m Cable + LV50 Transformer (2 Pack)	12	12
805002	Quantum WNC Multi Plus LED Light + Concrete Niche + 20m Cable + LV25 Transformer (1 Pack)	12	12
805003	Quantum WNC Multi Plus LED Light + Concrete Niche + 20m Cable + LV50 Transformer (2 Pack)	12	12
805004	Atom EMF Multi Plus LED Light + F/Glass Niche + 20m Cable + LV25 Transformer (1 Pack)	12	12
805005	Atom EMF Multi Plus LED Light + F/Glass Niche + 20m Cable + LV50 Transformer (2 Pack)	12	12
805006	Quantum WNF Multi Plus LED Light + F/Glass Niche + 20m Cable + LV25 Transformer (1 Pack)	12	12
805007	Quantum WNF Multi Plus LED Light + F/Glass Niche + 20m Cable + LV50 Transformer (2 Pack)	12	12

*Terms and conditions apply

MAGICSTREAM LAMINAR

LED WATER FEATURE



- The perfect complement to LED Pool Lighting for dynamic and synchronized coloured light shows
- Provides 5 brilliant fixed colours, 7 dazzling light shows
- Laminar water streams can reach up to 2m high and project outward up to 2.5m into your pool, spa, or other water feature
- Installation is made flush to your deck or other surface; no unsightly or unsafe edges, just the magic of water erupting from a hidden source.
- Water streams are easily adjusted in two ways - vertically from 62 degrees to 75 degrees to create different heights and arc shapes. Left and right direction can be adjusted up to 60 degrees total.
- Laminar deck lids are available in tan, black, and gray to match or complement pool deck or other installation surface
- Simply connect to a suitable transformer listed below, depending on number of laminars. Use only with Pentair Transformers.
- Lighting transformers sold separately. See page 115.

MagicStream® Laminars create totally clear, uniform arcs of moving water that originate from either your pool deck or surrounding landscape. At night, these translucent streams are brilliantly coloured with an LED

light source. The result is a water effect that adds an elegant bit of entertainment to your poolscape. It is fully compatible with the IntelliBrite line of LED pool lights and the EasyTouch® or IntelliTouch® Automation Systems.

ORDERING INFORMATION

Product	Description	Voltage (VAC)	Power (W)	Cord Length (m)	Carton Dims. (mm)	Carton Wt. (kg)	Pallet Qty.
MAGICSTREAM LAMINARS							
580001B	Laminar LED, Black Lid	12	16	30	350x350x570	11.5	18
580001G	Laminar LED, Grey Lid	12	16	30	350x350x570	11.5	18
580001T	Laminar LED, Tan Lid	12	16	30	350x350x570	11.5	18

PERFORMANCE

LAMINARS PERFORMANCE DATA			
Litres	22.7	28.3	32.1
Inlet Pressure (Kpa)	17.2	24.1	31
Height of jet (meters)	1.52	1.82	2.12

*All dimensions in mm.

COLORVISION LED LIGHT BUBBLER

LED WATER FEATURE



FEATURED HIGHLIGHTS:

- Energy efficient colour LED lights with vibrant colours
- Provides 5 brilliant fixed colors, 7 dazzling light shows
- Designed for 5 - 25cm of water depth
- Plume height up to 60cm.
- Low voltage operation of 12 VAC / 15W
- Low flow requirements allow for multiple units per pool
- PVC niche provides for flush mounting
- The perfect complement to IntelliBrite® LED Pool Lighting for dynamic & synchronized coloured light shows
- Lighting transformers sold separately.

The ColorVision® bubbler goes from a spectacular display of moving water to a lighted, magical escape with included GloBrite® LED colour changing lighting. Whether you're in the mood to relax or entertain, ColorVision® bubblers are the perfect way to showcase and enhance your pool features.

ORDERING INFORMATION

Product	Description	Voltage (VAC)	Power (W)	Cord Length (m)	Carton Dims. (mm)	Carton Wt. (kg)	Pallet Qty.
COLORVISION							
580037-AU	ColorVision Bubbler Kit, Concrete, LED, 15m cord	12	15	15	300x300x400	4.7	18
580037-AU-30	ColorVision Bubbler Kit, Concrete, LED, 30m cord	12	15	30	300x300x500	6.7	18
580036-AU	ColorVision Bubbler Kit, Fibreglass/Vinyl, LED, 15m cord	12	15	15	300x300x400	4.7	18
580036-AU-30	ColorVision Bubbler Kit, Fibreglass/Vinyl, LED, 30m cord	12	15	30	300x300x500	6.7	18
580037	ColorVision Bubbler Concrete Niche Only* <small>*Can be later fitted with a GloBrite LED light ordered separately.</small>	-	-	-	300x300x250	2.0	18

DIMENSIONS AND PERFORMANCE

LPM	WATER DEPTH					PLUME HEIGHT (CM)				
	Nozzle Diameter									
	1/2"	3/4"	1/2"	3/4"	1/2"	3/4"	1/2"	3/4"	1/2"	3/4"
60		30	60	20	40	18	30	13	23	10
80		50		33		30	48	18	38	15
100				53		38		25	60	20
120						58		38		30
140								43		35
160								53		43
180										50



*Terms and conditions apply

DECK JET & DECK JET II

WATER FEATURE



Deck Jet



Deck Jet II



FEATURED HIGHLIGHTS:

Deck Jet

- Deck Jet includes five interchangeable water effect eyeballs that are easy to remove and simple to change. Also Includes construction shield.
- Streams reach to eight feet, and direction can be easily adjusted
- Low water pressure requirement for minimum impact on pump performance

Deck Jet II

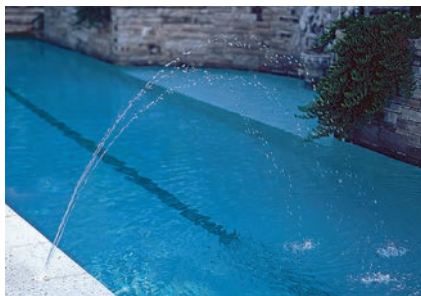
- Height is adjustable to a maximum of six feet. Water direction is adjustable up to 360 degrees.
- Easy-to adjust nozzles enable your creativity: concentrate all streams into a single entry point, overlap streams of different heights, or create a symmetrical, multi-stream archway...and more
- Quality design assures low water flow requirements and eliminates any concerns about standing water or unwanted debris collection
- Attractive installation with no unsightly or unsafe edges or screws

Deck Jet water effects can be cast into concrete decks and gunite pool walls, mounted in the sidewall of aboveground and vinyl-lined pools, or blended into surrounding landscapes.

MagicStream® Deck Jet II creates a graceful arc of water that enters the pool with a gentle splash. The stream seems to appear magically from the pool deck since the jet installs flush and out of sight.

ORDERING INFORMATION

Product	Description	Plumbing	Carton Dims. (mm)	Carton Wt. (kg)
DECK JETS				
580000	Deck Jet	40mm	180x105x105	0.6
580003	Magic Stream® Deck Jet II (4 jets included)	20mm	150x150x150	0.9
TRIPLE SPRAY				
1090100	Triple Spray 10pk (Includes wall sockets and nozzles)	20mm/25mm	100x100x200	1.5



*All dimensions in mm.

POOL LIGHTING TRANSFORMERS

MULTI-OUTPUT POOL LIGHTING TRANSFORMERS



FEATURED HIGHLIGHTS:

- The perfect complement to LED Pool Lighting for dynamic and synchronized coloured light shows
- Incorporates power outlet to allow daisy-chain of multiple lighting transformers.
- A single transformer powers up to 4 lights, each individually fused and electrically isolated.
- Complies with Australian Standards.

Pentair lighting transformers allow for easy connection of pool lighting. Available in one, two or four light versions and with an outlet for connecting additional transformers, you can connect all your lights from one GPO. Outputs are electrically isolated, complying with Australian safety standards.

ORDERING INFORMATION

Product	Description	Voltage (VAC)	Power (W)	Carton Dims. (mm)	Carton Wt. (kg)
MAGICSTREAM LAMINARS					
800130	LIGHTING TRANSFORMER 30VA 1-LIGHT	12	30	-	-
800131	LIGHTING TRANSFORMER 60VA 2-LIGHTS	12 x2	30 x2	-	-
800132	LIGHTING TRANSFORMER 120VA 4-LIGHTS	12 x4	30 x4	-	-

*Terms and conditions apply



**PENTAIR
POOL**



**WHITE GOODS
& VALVES**

MEGASKIM SKIMMER

SKIMMERS FOR IN-GROUND POOLS



FEATURED HIGHLIGHTS:

- Massive leaf basket (6.7L), for long intervals between cleaning.
- Patented child-safe lockable lid, locks with ¼ turn of Philips head screwdriver (no special tool required).
- Compliant to AS/NZS 1926.3.
- Single piece moulded body, for long-term strength.
- Ample points for securing to concrete reinforcement.
- Rear (standard) and Base (punch-out) plumbing ports. 50mm AS/NZS PVC, Slip fit sockets.
- Vacuum plate with flow control valve, included with every model.
- Multi-fit fibreglass flange screw pattern allows retrofit for Quiptron, Poolrite and Waterco skimmers.
- Available for concrete, fibreglass and vinyl liner pools.
- Available with extension throat and wide-mouth throat.

The Pentair MegaSkim is the ideal skimmer for every new pool. Designed with both the pool builder and pool owner in mind, the MegaSkim is easy to install and easy to use. For the pool builder, the skimmer body is constructed out of a single piece mould, with no glue joins for potential leaks. Plenty of attachment points for tying to reinforcement are included, as well as base and rear

plumbing ports to make installation easy. The MegaSkim is made from a tough UV stabilised thermoplastic, for years of use in the tough Australian climate. For the pool owner, the MegaSkim has a massive leaf basket for long intervals between cleaning. The MegaSkim is compliant to Australian Standards with a patented* child safe deck lid.

ORDERING INFORMATION

Product	Description	Skimmer			Lid		Carton Dim. (mm)	Pallet Qty.	Carton Wt. (kg)
		Pool	Extension	Colour	Shape	Colour			
CONCRETE POOL SKIMMERS									
810000	Skimmer Pool Megaskim Concrete (No lid)	Concrete	None	White	None	None	590x455x320	16	5.8
810001	Megaskim Concrete Square Lid (Tan)	Concrete	None	White	Square	Tan	590x455x320	16	6.0
810002	Megaskim Concrete Round Lid (Tan)	Concrete	None	White	Round	Tan	590x455x320	16	6.0
810003	Megaskim White Concrete Square Lid (Grey)	Concrete	None	White	Square	Grey	590x455x320	16	6.0
810004	Megaskim White Concrete Round Lid (Grey)	Concrete	None	White	Round	Grey	590x455x320	16	6.0
810100	Skimmer Pool Megaskim Con. W/ Mouth (No lid)	Concrete	Widemouth	White	None	None	660x590x545	8	8.4
810101	Megaskim Concrete W/ Mouth Sq. Lid	Concrete	Widemouth	White	Square	Tan	660x590x545	8	8.6
810102	Megaskim Concrete W/ Mouth Sq. Rnd	Concrete	Widemouth	White	Round	Tan	660x590x545	8	8.6
810200	Skimmer Pool Megaskim Con. Ext/Thr (No Lid)	Concrete	Ext. Throat	White	None	None	590x565x320	12	6.8
810201	Megaskim Concrete Ext/Thr Sq Lid	Concrete	Ext. Throat	White	Square	Tan	590x565x320	12	7.0
810202	Megaskim Concrete Ext/Thr Rnd Lid	Concrete	Ext. Throat	White	Round	Tan	590x565x320	12	7.0
810300	Skimmer Megaskim Conc Grey (No Lid)	Concrete	None	Grey	None	None	590x455x320	16	5.8
810301	Megaskim Grey Concrete Square Lid (Tan)	Concrete	None	Grey	Square	Tan	590x455x320	16	6.0
810302	Megaskim Grey Concrete Round Lid (Tan)	Concrete	None	Grey	Round	Tan	590x455x320	16	6.0
810303	Megaskim Grey Concrete Square Lid (Grey)	Concrete	None	Grey	Square	Grey	590x455x320	16	6.0
810304	Megaskim Grey Concrete Round Lid (Grey)	Concrete	None	Grey	Round	Grey	590x455x320	16	6.0

MEGASKIM SKIMMER

SKIMMERS FOR IN-GROUND POOLS

Product	Description	Skimmer			Lid		Carton Dim. (mm)	Pallet Qty.	Carton Wt. (kg)
		Pool	Extension	Colour	Shape	Colour			
FIBREGLASS POOL SKIMMERS									
810010	Megaskim F/Glass No Lid	Fibreglass	None	White	None	None	590x455x320	16	5.8
810011	Megaskim F/Glass Square Lid (Tan)	Fibreglass	None	White	Square	Tan	590x455x320	16	6.0
810012	Megaskim F/Glass Round Lid (Tan)	Fibreglass	None	White	Round	Tan	590x455x320	16	6.0
810110	Megaskim F/Glass W/ Mouth No Lid	Fibreglass	Widemouth	White	None	None	660x590x545	8	8.4
810111	Megaskim F/Glass W/ Mouth Square Lid	Fibreglass	Widemouth	White	Square	Tan	660x590x545	8	8.6
810112	Megaskim F/Glass W/ Mouth Round Lid	Fibreglass	Widemouth	White	Round	Tan	660x590x545	8	8.6
810210	Megaskim F/Glass Ext/ Throat No Lid	Fibreglass	Ext. Throat	White	None	None	590x565x320	12	6.8
810211	Megaskim F/Glass Ext/ Throat Square Lid	Fibreglass	Ext. Throat	White	Square	Tan	590x565x320	12	7.0
810212	Megaskim F/Glass Ext/ Throat Round Lid	Fibreglass	Ext. Throat	White	Round	Tan	590x565x320	12	7.0
810213	Megaskim FG Ext. Throat Round Lid	Fibreglass	Ext. Throat	White	None	None	590x565x320	12	7.0
810214	Megaskim F/G Ext. Throat Square Lid (Grey)	Fibreglass	Ext. Throat	White	Square	Grey	590x565x320	12	7.0
810215	Megaskim F/G Ext. Throat Round Lid (Grey)	Fibreglass	Ext. Throat	White	Round	Grey	590x565x320	12	7.0
810310	Grey Megaskim F/Glass No Lid	Fibreglass	None	Grey	None	None	590x455x320	16	5.8
810311	Grey Megaskim F/Glass Square Lid	Fibreglass	None	Grey	Square	Tan	590x455x320	16	6.0
810312	Grey Megaskim F/Glass Round Lid	Fibreglass	None	Grey	Round	Tan	590x455x320	16	6.0
810313	Grey Megaskim F/Glass Square Lid	Fibreglass	None	Grey	Square	Grey	590x455x320	16	6.0
810314	Grey Megaskim F/Glass Round Lid	Fibreglass	None	Grey	Round	Grey	590x455x320	16	6.0
810510	Skimmer Megaskim FG Ext. Throat Grey No Lid	Fibreglass	Ext. Throat	Grey	None	None	590x565x320	12	6.8
810511	Grey Megaskim F/G Ext. Throat Squarer Lid (Tan)	Fibreglass	Ext. Throat	Grey	Square	Tan	590x565x320	12	7.0
810512	Grey Megaskim F/G Ext. Throat Round Lid (Tan)	Fibreglass	Ext. Throat	Grey	Round	Tan	590x565x320	12	7.0
810513	Grey Megaskim F/G Ext. Throat Square Lid Grey	Fibreglass	Ext. Throat	Grey	Square	Grey	590x565x320	12	7.0
810514	Grey Megaskim F/G Ext. Throat Round Lid Grey	Fibreglass	Ext. Throat	Grey	Round	Grey	590x565x320	12	7.0
SOUTH AUSTRALIAN SKIMMER (WITH SIDE PORTS FOR SAFETY SUCTION)									
810005	Megaskim Concrete No Lid	Concrete	None	White	None	None	590x455x320	16	5.8
810011-SA	Megaskim F/Glass Square Lid (Tan)	Fibreglass	None	White	Square	Tan	590x455x320	16	6.0
810213	Megaskim F/Glass Ext. Throat No Lid	Fibreglass	Ext. Throat	White	None	None	590x565x320	12	6.8
810313-SA	Megaskim F/Glass Square Lid (Grey)	Fibreglass	None	White	Square	Grey	590x455x320	16	6.0
810515	Grey Megaskim F/Glass Ext. Throat No Lid	Fibreglass	Ext. Throat	Grey	None	None	590x565x320	12	6.8

FEATURES:



Vacuum Plate with Flow Control



Massive 6.7L Leaf Basket



Widemouth Throat



Extensive Throat

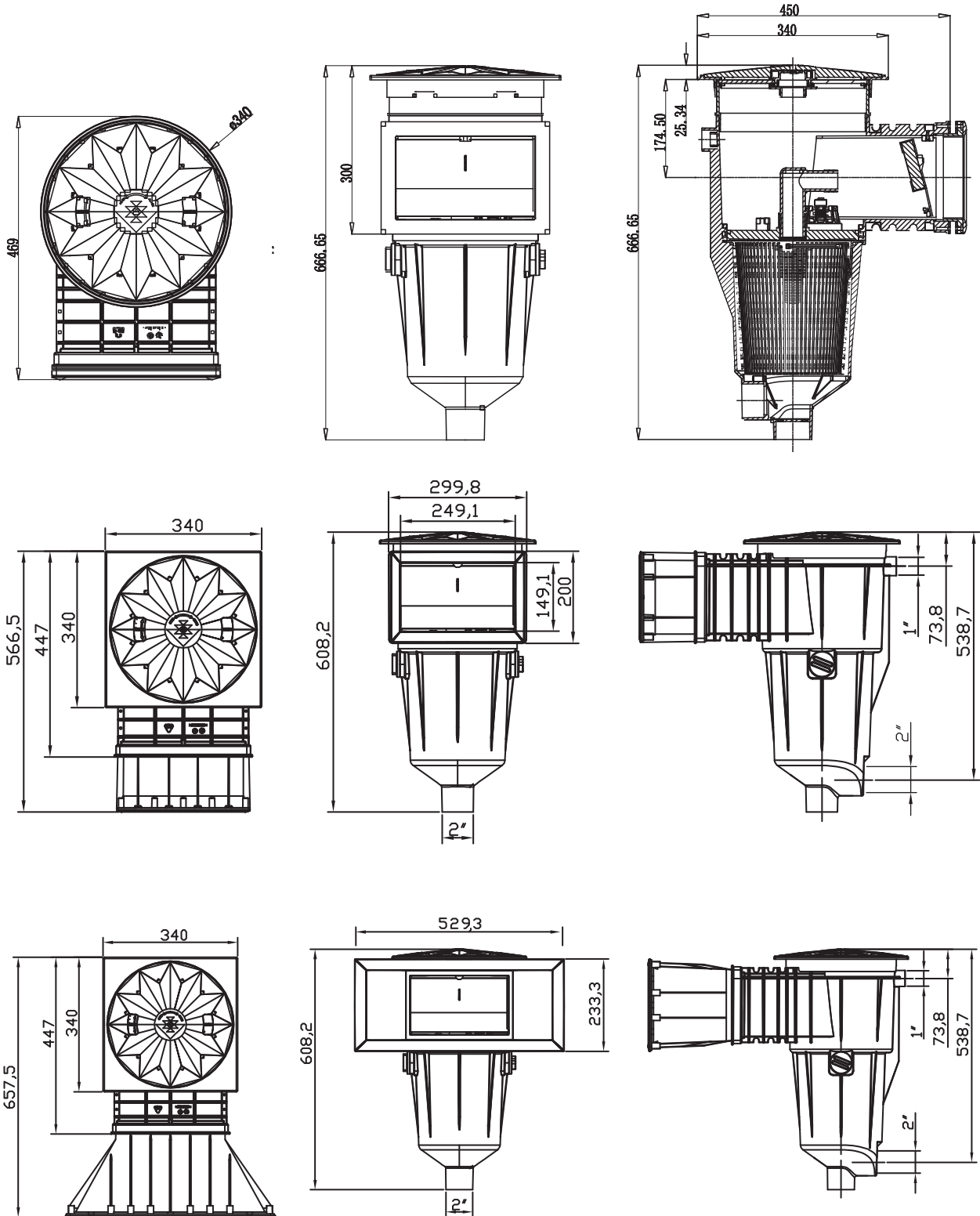


Square and Round Child Safe Lids

MEGASKIM SKIMMER

SKIMMERS FOR IN-GROUND POOLS

DIMENSIONS



*All dimensions in mm

U-3 SKIMMERS

SKIMMERS FOR IN-GROUND POOLS



FEATURED HIGHLIGHTS:

- Screw down lockable lid.
- 1-1/2"/40mm or 2"/50mm slip or threaded ports.
- Optional equalizer valve.
- Compliant to AS1926.3

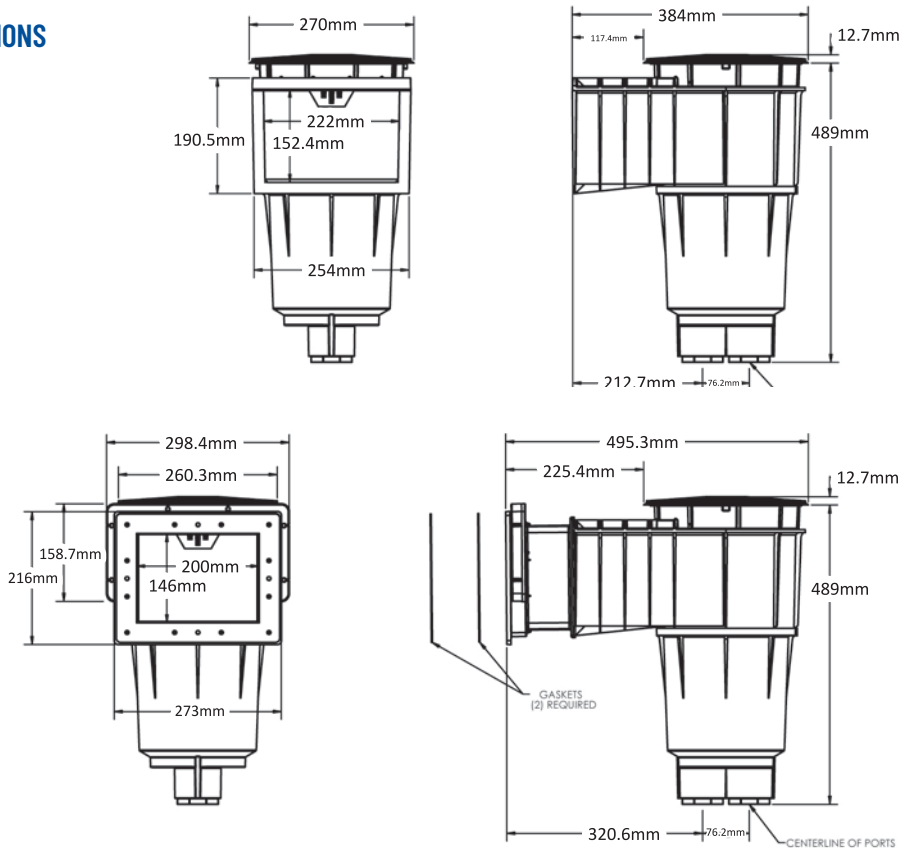
U-3 Skimmers feature a heavy-duty one-piece construction with sturdy external ribbing for superior strength. All U-3 Skimmers are made from high-strength ABS plastic.

ORDERING INFORMATION

Product	Description	Carton Dimensions (mm)	Pallet Qty.	Carton Wt. (kg)
SKIMMERS FOR CONCRETE POOLS				

08650-1404	U-3 Skimmer White w/White Lid & Frame, 2 in. Slip with 1-1/2 in. Slip Reducers; Incl. Float and Check Valve, Basket ¹	390x260x495	26	4
------------	--	-------------	----	---

DIMENSIONS



*All dimensions in mm

STARGUARD MAIN DRAINS

MAIN DRAIN FRAME AND GRATE



FEATURED HIGHLIGHTS:

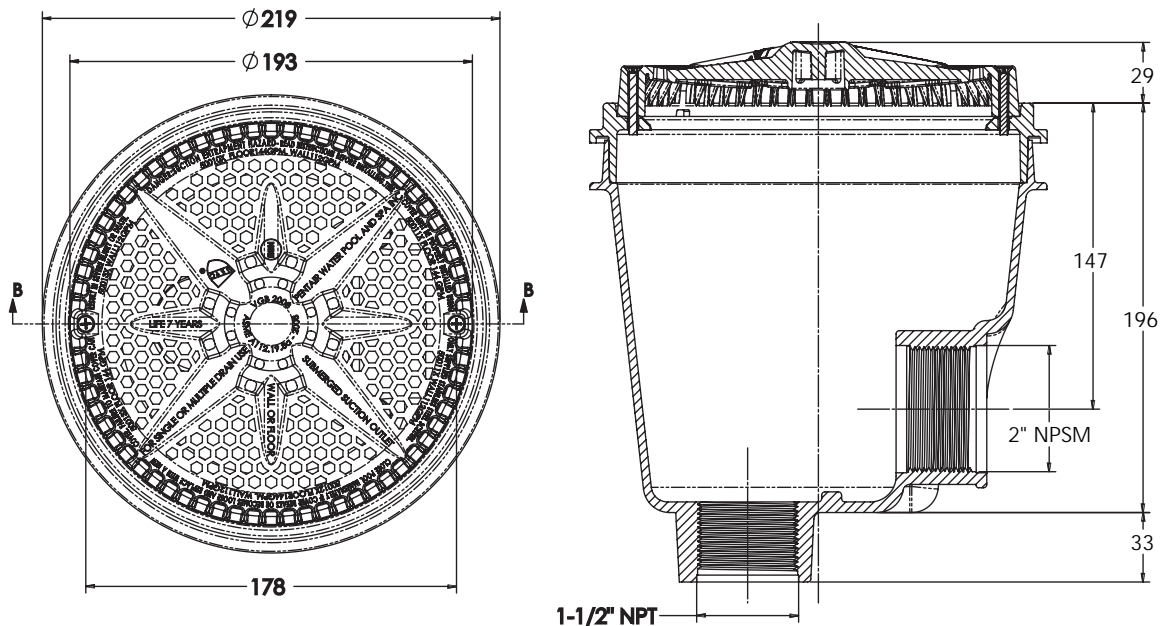
- Screw down lockable lid.
- Compliant to AS1926.3, ANSI/ASME A112.19.8 and VGBA.
- 1-Year Replacement Warranty

High quality StarGuard main drains are available in a variety of configurations to fit most residential inground pool or spa installations. StarGuard main drains have an industry leading 100 square centimeters of open area for water flow and allow flow rates up to 270 LPM.

ORDERING INFORMATION

Product	Description	Carton Dimensions (mm)	Pallet Qty.	Carton Wt. (kg)
8 IN. STARGUARD COVER WITH SHORT RING AND COVER				
500103-1	8 in. StarGuard cover w/short ring (single), white			
8 IN. STARGUARD DRAIN WITH 2 IN. SIDE AND 1-1/2 IN. BOTTOM PORTS ABS SUMP WITH RING AND COVER				
500110-1	8 in. StarGuard drain w/ 2 in. side & 1-1/2 in. bottom ports ABS sump w/ring & cover (2 pack), white			
500113	8 in. StarGuard drain w/ 2 in. side & 1-1/2 in. bottom ports ABS sump w/ring & cover (2 pack), dark gray			

DIMENSIONS



*All dimensions in mm

ONGA MAIN DRAIN

MAIN DRAIN FRAME, GRATE AND HYDROSTATIC VALVE

onga®



FEATURED HIGHLIGHTS:

- Screw down lockable lid.
- Includes hydrostatic valve and pilot tube.
- Compliant to AS1926.3.
- 1-Year Replacement Warranty

High quality Onga main drains incorporate dual ports, hydrostatic relief valve and pilot tube. High quality construction and a proven performer for over a decade.

ORDERING INFORMATION

Product	Description	Carton Dims (mm)	Pallet Qty.	Carton Wt. (kg)
ONGA MAIN DRAIN				
1022000	Main Drain & Hydrostatic Relief Valve with Pilot Tube and Cover	310x310x240	64	1.4



HYDROSTATIC VALVES

NICHE, GRATE AND HYDROSTATIC VALVE

FEATURED HIGHLIGHTS:

- Screw down lockable lid.
- 1-Year Replacement Warranty

Product	Description	Carton Dims (mm)	Pallet Qty.	Carton Wt. (kg)
HYDROSTATIC VALVES (NOT TO BE USED AS MAIN DRAINS)				
5317950	Small Niche & Hydrostatic Relief Valve with Pilot Tube and Cover for Concrete	210x200x190	150	0.8
5317900	Small Niche & Hydrostatic Relief Valve Only	210x200x190	150	0.7
HYDROSTATIC VALVE AND ONGA MAIN DRAIN ACCESSORIES				
5318000	Dress Ring & Cover for Small Niche/Hydrostatic - Concrete			
5132500	Hydrostatic Relief Valve Only 1-1/2"/40mm			
07017-0151	1-1/2 in. NPT hydrostatic valve for Starguard Main Drain			
5163900	Pilot Tube for Drains			
801016	Lid Main Drain			
5163400	Hydrostatic Relief Valve Only 2"/50mm			

SUCTION COVERS & RETURN EYEBALLS

POOL PLUMBING FITTINGS



800190/800210



800191/800211



800192/800212



800140/800160



800141/800161



800077



800078



800079

FEATURED HIGHLIGHTS:

- Suction covers compliant to AS1926.3.
- Repairable/replaceable components.
- UV/Chemical resistant plastics.
- White, grey and clear options available.

Pentair plumbing fittings are available in a wide variety of configurations. Specialty fittings such as the snap-lock return eye-balls are designed for ease of installation. These fittings are manufactured to Pentair's high standards.

ORDERING INFORMATION

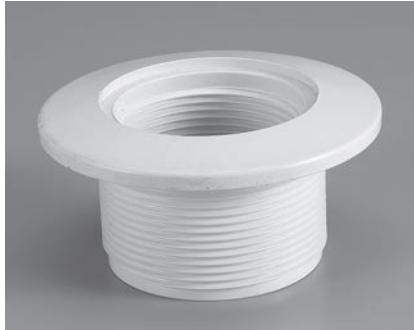
Part No.	Description
CONCRETE SUCTION COVERS	
800190	Suction Cover Concrete 50mm White
800190-20	Suction Cover Concrete 50mm White 20pk
800191	Suction Cover Concrete 50mm Grey
800191-20	Suction Cover Concrete 50mm Grey 20pk
800192	Suction Cover Concrete 50mm Clear
800192-20	Suction Cover Concrete 50mm Clear 20pk
FIBREGLASS SUCTION COVERS	
800210	Suction Cover Fibreglass 50mm White
800210-20	Suction Cover Fibreglass 50mm White 20pk
800211	Suction Cover Fibreglass 50mm Grey
800211-20	Suction Cover Fibreglass 50mm Grey 20pk
800212	Suction Cover Fibreglass 50mm Clear
800212-20	Suction Cover Fibreglass 50mm Clear 20pk

Part No.	Description
CONCRETE EYEBALL RETURNS	
800140	Eyeball Return Concrete 50mm White
800140-50	Eyeball Return Concrete 50mm White 50pk
800141	Eyeball Return Concrete 50mm Grey
800141-50	Eyeball Return Concrete 50mm Grey 50pk
800160	Eyeball Return Concrete 40mm White
800160-50	Eyeball Return Concrete 40mm White 50pk
800161	Eyeball Return Concrete 40mm Grey
800161-50	Eyeball Return Concrete 40mm Grey 50pk
FIBREGLASS EYEBALL RETURNS	
800077	Eyeball Return Fibreglass 40mm White
800077-50	Eyeball Return Fibreglass 40mm White 50pk
800078	Eyeball Return Fibreglass 40mm Grey
800078-50	Eyeball Return Fibreglass 40mm Grey 50pk
800079	Eyeball Return Fibreglass 40mm Clear
800079-50	Eyeball Return Fibreglass 40mm Clear 50pk

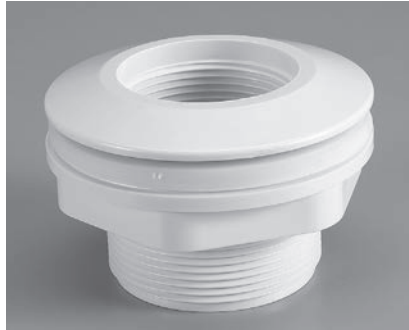
POOL RETURN FITTINGS

VERSATILE FITTING SYSTEM

STEP 1: SELECT WALL FITTING



542405



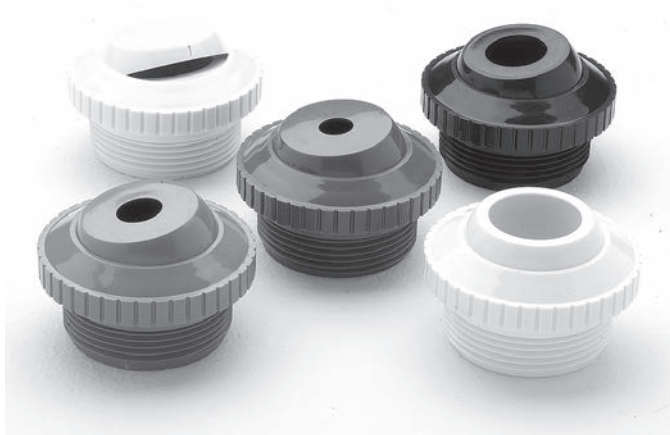
542411



542429

Product	Description	Carton Qty
WALL FITTINGS		
542405	CONCRETE Wall Fitting - 40mm Slip, 1-1/2" socket, white	50
542411	FIBREGLASS Wall Fitting - 40mm Slip, 1-1/2" socket, white	50
542429	CONCRETE/ VINYL LINER Wall Fitting - 40mm Slip, 1-1/2" socket, white	50

STEP 2: SELECT EYEBALLS



Product	Description	Carton Qty
EYEBALLS		
540000	Slotted Opening, white	50
540007	3/8" Opening, white	50
540014	1/2" Opening, white	50
540021	3/4" Opening, white	50
540028	1" Opening, white	50

AUTOMATIC WATER FILLERS

WATER LEVEL CONTROL



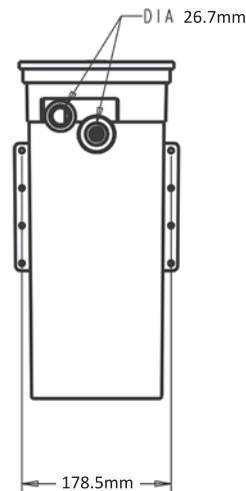
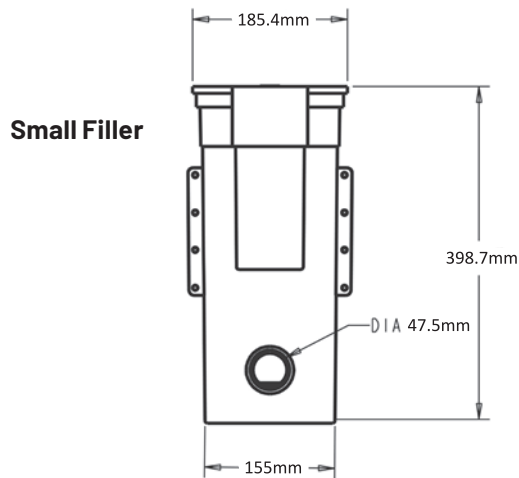
FEATURED HIGHLIGHTS:

- Available for standard in-ground and vanishing edge pools
- Prevents equipment damage due to low water levels
- No electronic controls
- Prevents water waste and landscape damage due to overfilling pool
- Available with white, black, grey, and almond colored lids

ORDERING INFORMATION

Product	Description	Carton Dimensions (mm)	Carton Wgt. (kg)	Pallet Qty.
FLUIDMASTER VALVE AUTOMATIC WATER FILLERS				
T40FB	AutoFill w/ Fluidmaster valve, almond	420x210x210	1.8	50
T40FG	AutoFill w/ Fluidmaster valve, grey	420x210x210	1.8	50
T40FW	AutoFill w/ Fluidmaster valve, white	420x210x210	1.8	50
STANDARD AUTOMATIC WATER FILLERS				
1023000	Onga Auto Refill Valve	310x310x240	2	36

DIMENSIONS

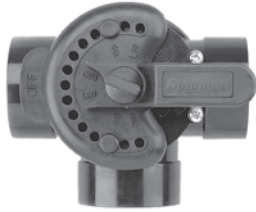


Fluidmaster Valve

*All dimensions in mm

VALVES & ACTUATORS

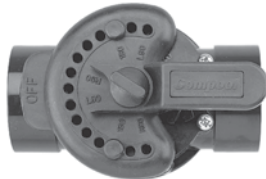
2-WAY, 3-WAY AND CHECK



263028



702480



263029



263059



263042



263045

FEATURED HIGHLIGHTS:

- Maintenance-free PTFE coated diverter seal
- Optimum positive-seal
- High Flow Rate
- Fibreglass reinforced handle
- Withstands pressure up to 1MPa.
- Chemical-resistant
- Used for diverting, shut-off or mixing applications
- Field-adjustable stop positions
- Plumbed with inlet at any port
- Designed to work with most industry standard actuators

ORDERING INFORMATION

Product	Description	Carton Dims (mm)	Carton Wt. (kg)	Carton Qty.
2-WAY AND 3-WAY DIVERTER VALVES				
263056	3-Way CPVC 2.5" Slip 80mm/3" Spigot (Use 3x 80mm Couplings)	250x250x240	1.7	1
263059	2-Way CPVC 2.5" Slip 80mm/3" Spigot (Use 2x 80mm Couplings)	250x250x240	1.7	1
263028	3-Way PVC 50mm/2"	600x400x400	6	12
263029	2-Way PVC 50mm/2"	600x400x400	6	12
263037	3-Way PVC 40mm/1-1/2"	600x400x400	6	12
263038	2-Way PVC 40mm/1-1/2"	600x400x400	6	12
263047	3-Way Solar Valve w/ drain-down, CPVC 50mm/2"	600x400x400	6	12
CHECK VALVES				
263060	Check Valve CPVC 2.5" Slip 80mm/3" Spigot (Use 2x 80mm Couplings)	250x250x240	1.7	1
263042	Check Valve CPVC 50mm/2"	600x400x400	6	12
702480	Check Valve PVC 40mm/1-1/2"	600x400x400	6	12
VALVE ACTUATORS				
263045	Valve Actuator CVA-24T 180 Degree	400x300x300	8	8

POOL SPECIALTY FITTINGS

INLETS, OUTLETS & UNIONS



800408



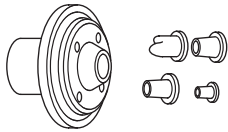
829801(09/10)



707634

FEATURED HIGHLIGHTS:

Pentair plumbing fittings are available in a wide variety of configurations. Specialty fittings such as the snap lock wall fitting are designed for ease of installation. These fittings are manufactured to Pentair's high standards.



08429-0000



801953/ 801954



5115000



5345000



5100000



08417-0000



190058 / 190059



801950/ 801951



89280705 / 5166700



801964

ORDERING INFORMATION

Product	Description
EYEBALL RETURN FITTINGS	
08429-0000	1-1/2 in. Slip, 3/16 in., 1/2 in., 3/4 in., 90° Nozzles, white
5115000	Eyeball 'Quipmaster'
5345000	Eyeball 40mm (F/GLASS & VINYL)
5100000	Eyeball Slip Fitting 40mm
INLETS	
08417-0000	Adjustable Floor Inlet
BARREL UNIONS	
800408	Self Aligning Barrel Union (40mm Internal / 50mm Slip)
707634	Barrel Union 40mm-40mm PVC (vinidex)
89280109	Barrell Union 1-1/2" BSP Thread to 40mm PVC
89280110	Barrell Union 2" BSP Thread to 50mm PVC
200-903	Barrell Union 2" NPT Thread to 50mm PVC

Product	Description
PRESSURE GAUGES	
190059	0-60psi/0-4bar, Air Filled, Rear Mount, with clean filter dial
190058	0-60psi/0-4bar, Air Filled, Bottom Mount, with clean filter dial
89280705	0-270kPa, Oil Filled, Rear Mount
5166700	0-270kPa, Oil Filled, Bottom Mount
FLOW METERS	
801950	Flow Meter 40mm 80-300LPM
801951	Flow Meter 50mm 120-500LPM
FLOW SWITCHES	
801953	Flow Switch 40mm Socket Fit
801954	Flow Switch 50mm Spigot Fit (requires 2x 50mm PVC F-F couplings)
SACRIFICIAL ANODES	
801964	Sacrificial Zinc Anode 50mm Saddle
801965	Sacrificial Anode Replacement Zinc



POOL

MAINTENANCE

EQUIPMENT

VALUE RANGE

POOL MAINTENANCE EQUIPMENT



R211036



5190450



5169450



5164050



5157550



K038BU



90697

FEATURED HIGHLIGHTS:

- Available with Nylon or Stainless Steel bristles.
- High quality, chemical resistant plastics.
- Tough hard-wearing bristles.
- Australian-style handle.

ORDERING INFORMATION

Product	Description	Handle Type	Carton Dim. (mm)	Carton Qty	Carton Wt. (kg)
BRUSHES					
K038BU	Brush 45cm (18") Cyclolac Nylon Bristles	Australian	510x320x340	12	4.3
Rakes and Skimmers					
5190450	Deluxe Deep Leaf Rake	Australian	440x420x530	12	8
5169450	Deluxe Leaf Skimmer	Australian	550x440x410	12	7
Vacuum Heads					
5164050	Vacuum Head Fibreglass/Vinyl Contour Shaped	Australian	360x300x290	12	8.5
5157550	Vacuum Head Concrete 35cm(14") Flexible	Australian	390x350x320	12	18.2
Venturi Vacuums					
R211036	Venturi Vacuum Leaf Eater with Wheels and Brush	Universal	775x395x400	6	6.3
Telescopic Poles					
90697	Pole Telescopic Aluminium 2.4m-4.8m	Australian	2620x160x130	12	13.5

RAINBOW RANGE

PROFESSIONAL PREMIUM QUALITY MAINTENANCE EQUIPMENT



R111046



R111626



R111358



R121196



802100 / 360476



R211084



R201296

R201286 /
R201276

FEATURED HIGHLIGHTS:

Rainbow is Pentair's premium portfolio of pool maintenance equipment and accessories. Our professional line features our toughest, most durable products that stand up to even the most rigorous service schedule.

INSTRUCTIONS: Universal Handle - Australian Pole



Simply remove the butterfly clip from the Australian style pole and insert the accessories universal handle in the end. The accessories butterfly clip will line up with the holes at the end of the pole.

ORDERING INFORMATION

Product	Description
BRUSHES	
R111626	Brush 23cm(9") Aluminium Back SS Bristles
R111046	Brush 45cm(18") Aluminium Back Nylon Bristles
R111358	Brush 45cm(18") Aluminium Back SS/Nylon Bristles
LEAF TRAPS	
802100	Small Leaf Trap for 38mm Hose
360476	Medium Leaf Trap for 38mm Hose
R211084	Large Leaf Trap for 38mm Hose
K21241B	Female-Female Hose Adaptor

Product	Description
RAKES AND SKIMMERS	
R121196	Skimmer Heavy Duty Aluminium Frame
VACUUM HEADS	
R201276	Pro Vac 36cm(14") Chrome Swivel Handle 6 Weighths
R201286	Pro Vac 55cm(22") Chrome Swivel Handle 8 Weighths
R201296	Pro Vac 73cm(29") Chrome Swivel Handle 10 Weighths

MISCELLANEOUS PARTS

POOL MAINTENANCE EQUIPMENT



R151716



R161568



AQ1014



R151226

ORDERING INFORMATION

Product	Description	Carton Dim. (mm)	Carton Qty	Carton Wt. (kg)
TEST KITS				
R161568	Test Strips 5-Way Cl-/Br - TCl - pH - TA - TH	CALL	12	1.5
AQ1014	DPD Test Kit 2 in 1	CALL	24	5.0
R151226	Cyanuric Acid Test Kit	CALL	1	0.5
R151716	PROII Professional Test Lab	CALL	6	6.5
TEST SOLUTION REFILLS				
R161593	DPD#1 Tablets 50pk	CALL	12	1.0

HANDOVER KIT

POOL MAINTENANCE EQUIPMENT



FEATURED HIGHLIGHTS:

- Vacuum head
- 450mm Deluxe brush
- Leaf Rake
- Thermometer
- 5-Way Test Strips
- CPR chart
- Choice between 9, 11 or 15m Vacuum hose
- 2.4-4.8m Telescopic Pole

ORDERING INFORMATION

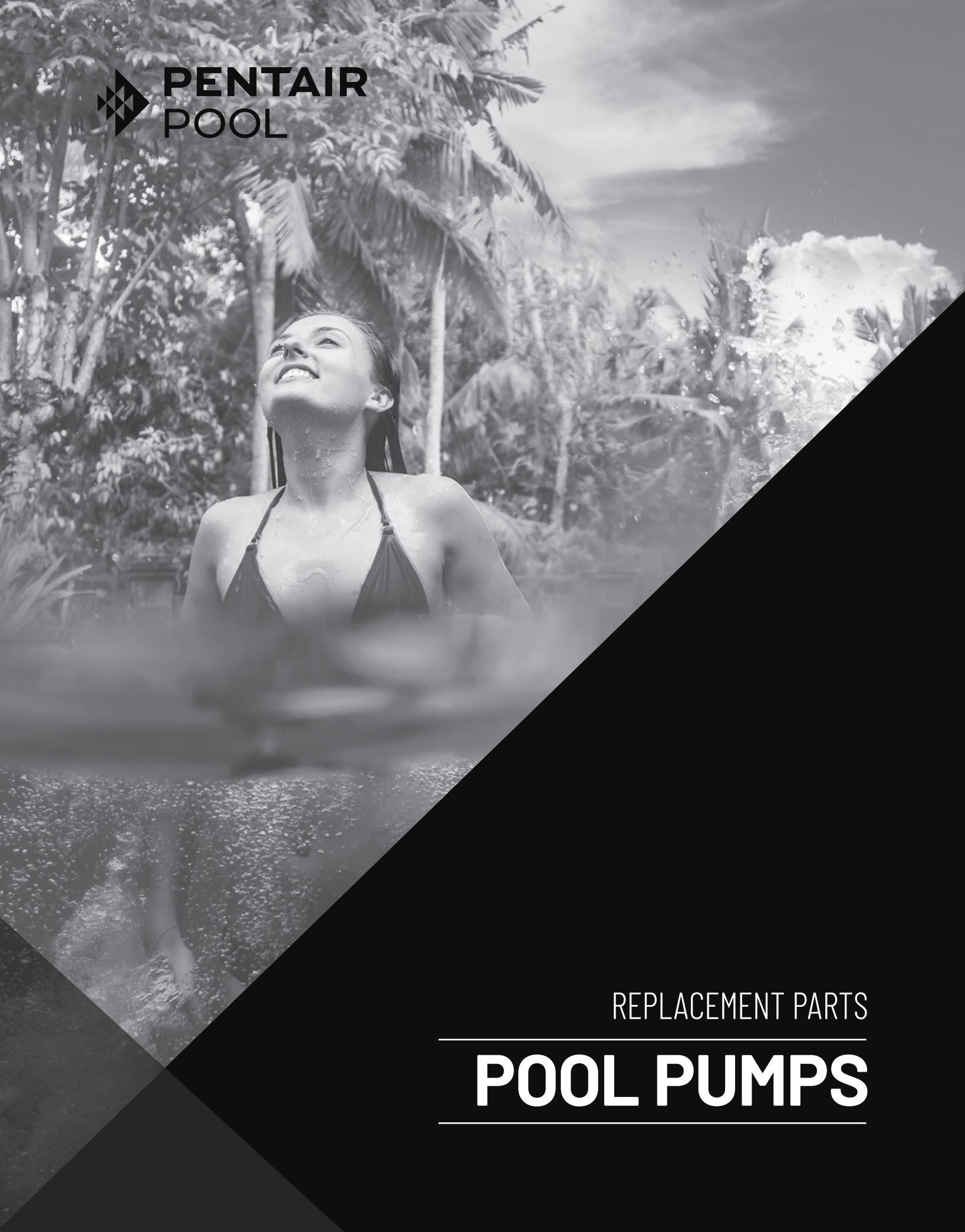
Product	Description	Hose Length (m)	Pallet Qty.	Pole
CONCRETE INGROUND POOL HANDOVER KITS				
HOKIT-CON-9M-1	Handover kit concrete no pole	9	24	excluded
HOKIT-CON-11M-1	Handover kit concrete no pole	11	24	excluded
HOKIT-CON-15M-1	Handover kit concrete no pole	15	24	excluded
HOKIT-CON-9M	Handover kit concrete with telescopic pole	9	24	included
HOKIT-CON-11M	Handover kit concrete with telescopic pole	11	24	included
HOKIT-CON-15M	Handover kit concrete with telescopic pole	15	24	included
FIBREGLASS / VINYL POOL HANDOVER KITS				
HOKIT-FG-11M-1	Handover kit fibreglass no pole	11	24	excluded
HOKIT-FG-11M	Handover kit fibreglass with telescopic pole	11	24	included

NOTES:

A series of horizontal dotted lines for taking notes.



PENTAIR
POOL

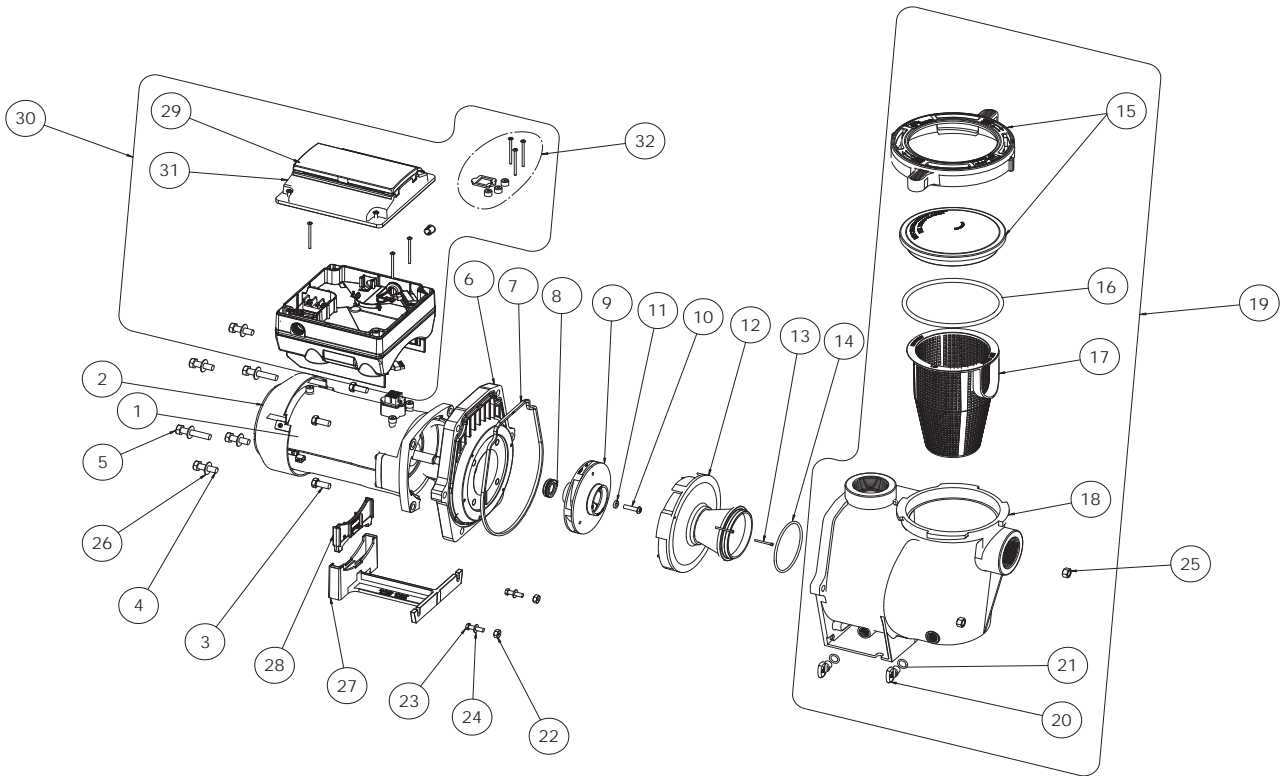


REPLACEMENT PARTS

POOL PUMPS

INTELLIFLO PUMPS

REPLACEMENT PARTS



Item	Description	Part No.	
		INTELLIFLO 2 VSF	INTELLIFLO (VS/VF/VF+SVRS)
1	Motor (Black)	350306	350306 + 800060
1	Motor (Almond)	-	350105
2	Motor Fan and Cowel Kit (Black)	352501	352501
2	Motor Fan and Cowel Kit (Almond)		352401
3	Bolt Hex 3/8-16 x 7/8 SS	See Fasteners Kit	See Fasteners Kit
4	Bolt 3/8-16 x 1-1/4 Hex Cap	See Fasteners Kit	See Fasteners Kit
5	Bolt 3/8-16 x 2" Hex Cap	See Fasteners Kit	See Fasteners Kit
	Fasteners Kit	801431	801431
6	Seal Plate (Black)	350101	350101
	Seal Plate (Almond)		350201
7	Gasket Sealpate	357100	357100
8	Mechanical Seal	071734S	071734S
9	Impeller Kit (includes 10 & 11)	073131K	073131K
10	Screw 1/4-20 x 1 LH Phillips Pan	071652	071652
11	Washer Rubber	075713	075713
12	Diffuser (includes 13 & 14)	072928K	072928K
13	Screw Set 4-40 x 1-1/8 (need 2)	071660	071660
14	O - RING 1/8" X 3 3/8" ID	355227	355227
	Seal Kit (Includes Items 7, 8 & 14)	071734K	071734K

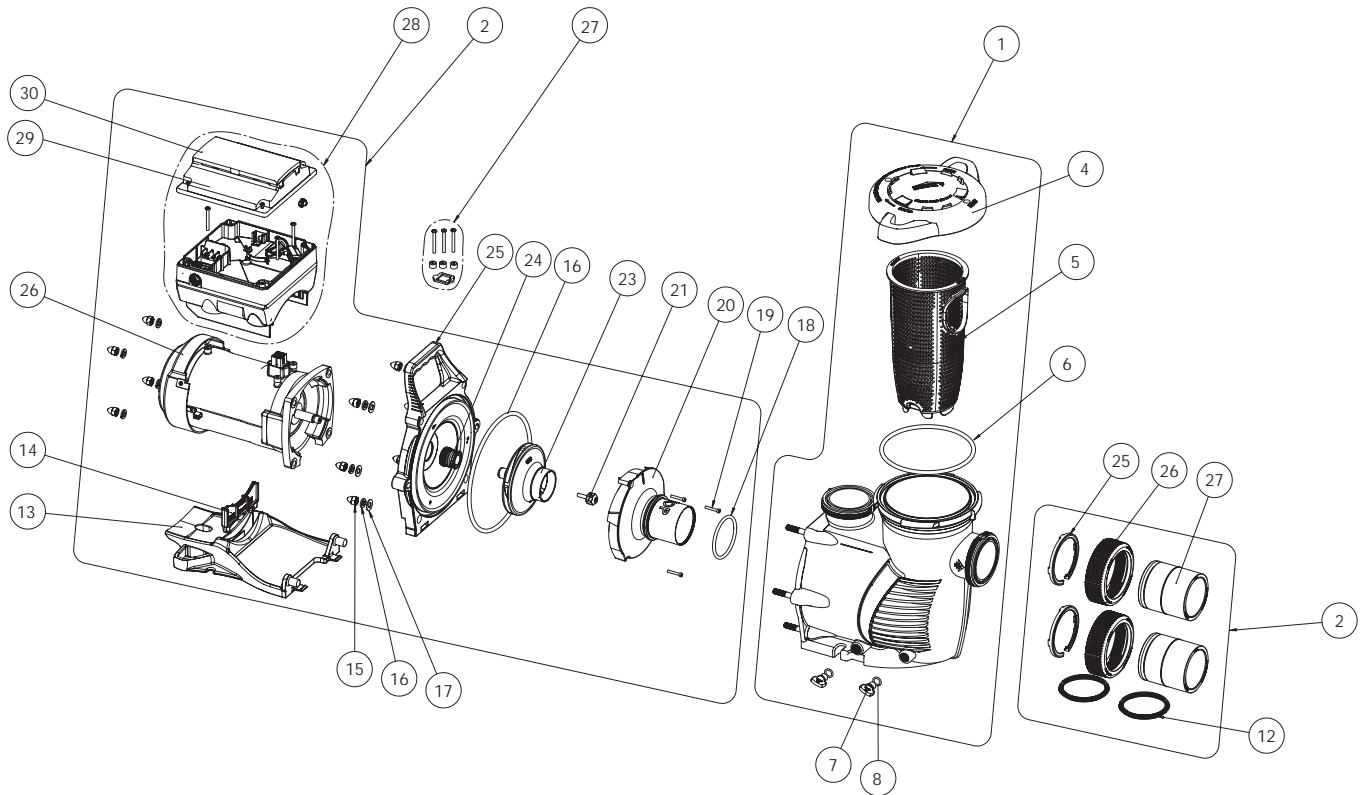
INTELLIFLO PUMPS

REPLACEMENT PARTS

Item	Description	Part No.	
		INTELLIFLO 2 VSF	INTELLIFLO (VS/VF/VS+SVRS)
15	LID KIT (Black) Includes Lid & O-Ring	357150K	357150K
16	O-RING LID	350013	350013
17	BASKET	070387	070387
18	PUMP CASING	See Tank and Trap Assembly	See Tank and Trap Assembly
19	TANK AND TRAP ASSEMBLY (BLACK) INCLUDES ITEMS 15, 16, 17, 18, 10 & 21	359541	359541
20	Drain Plug	See Drain Plug Kit	See Drain Plug Kit
21	O-ring Drain Plug	See Drain Plug Kit	See Drain Plug Kit
	DRAIN PLUG KIT (BLACK) Includes ITEMS 20, 21 x2	357161K	357161K
22	Nut 1/4-20 SS Hex	See Foot Kit	See Foot Kit
23	Screw 1/4-20 x 1 Hex Cap	See Foot Kit	See Foot Kit
24	Washer Flat 1/4 x 5/8 20 GA	See Foot Kit	See Foot Kit
25	Nut 3/8" SS 316 Coated	See Fasteners Kit	See Fasteners Kit
26	Washer 3/8 ID x 7/8 OD	See Fasteners Kit	See Fasteners Kit
27	Foot Black	See Foot Kit	See Foot Kit
28	Foot Insert Black	See Foot Kit	See Foot Kit
	Foot Kit (Black) Includes Items 22, 23, 24, 27, 28	357159K	357159K
	Foot (Almond) Items 27 and 29	-	Order 070927 and 070929
29	Control Cover Assembly (Black) pre 2014	-	357290
29	Control Cover Assembly (Black) 2014 onwards	401101	401101
30	Variable speed drive (Black)	800060 (includes keypad)	800060* *New VSF drive will retrofit to older model IntelliFlo pumps.
31	Terminal Cover (Black)	358526	353310
32	Kit Hardware / Gasket	350612	350612
33	Intellicom Communication Cable 50'	350122	350122
34	Barrel Unions (2 required)	89280110	89280110
35	Gasket - Terminal Cover	350313	350313
36	15A Power Supply Cable	707446	707446
37	Gland - Power Supply Cable	1300200	1300200
-	Union O-ring	02020016	02020016
-	Communication Port	355862	-

INTELLIFLO XF PUMP

REPLACEMENT PARTS

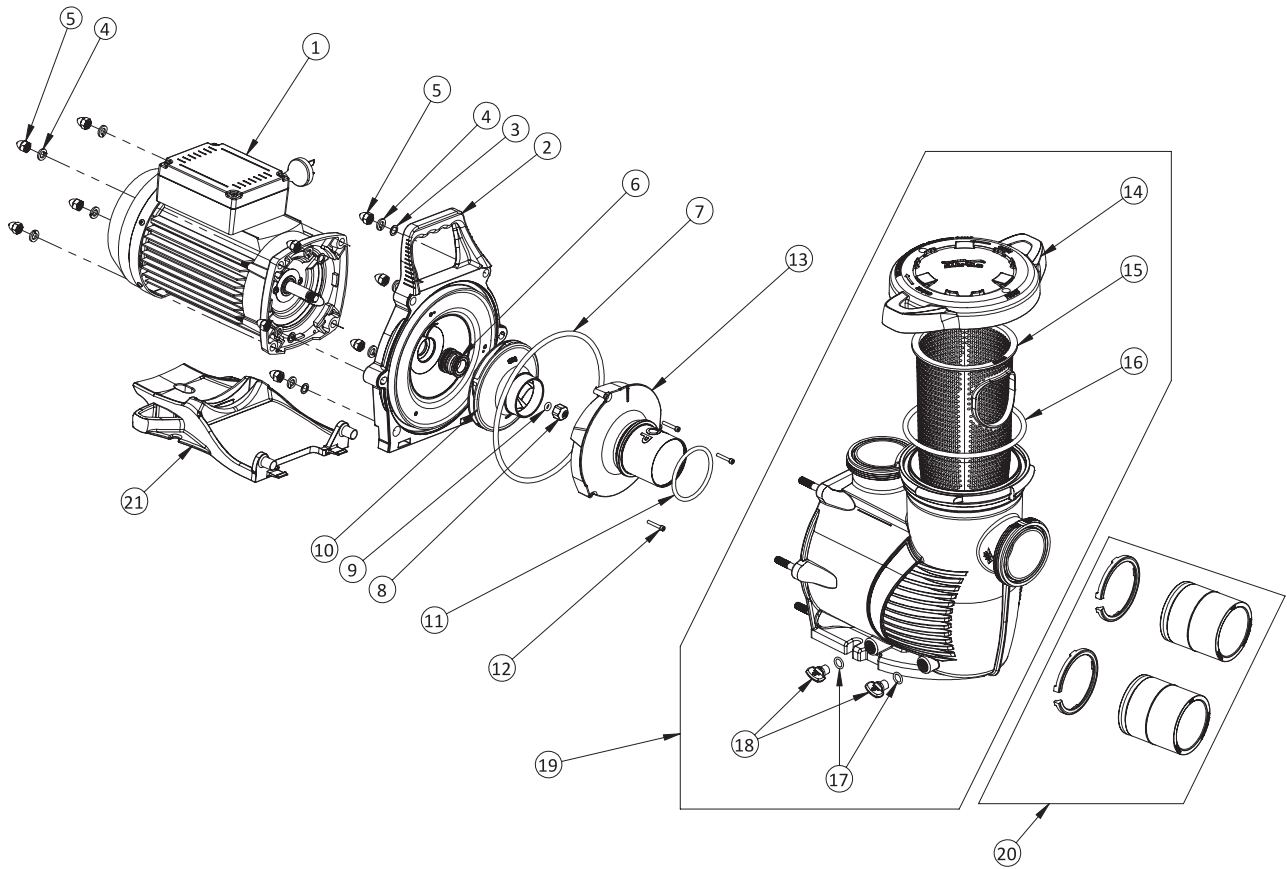


Item	Description	Part No.
INTELLIFLO XF PUMP		
1	Pump casing assembly	401000
2	Union Kit	707456
4	Lid/Locking Ring	401006
5	Basket	400007Z
6	O-Ring Pump Lid	35505-1440
7	Drain Plug	357161
8	O-Ring Drain Plug	192115
12	O-Ring Barrel Union Diamond Seal (inc. 2)	410016Z
13	Motor Base	401004
14	Motor Support Insert	357160
15	Nut Acorn	See Pump Fasteners Kit
16	Washer Split	See Pump Fasteners Kit
17	Washer Flat	See Pump Fasteners Kit
18	Diffuser O-Ring	350336
19	Screw Diffuser	353323
20	Diffuser Kit (18, 19, 20)	801292
21	Screw Impeller Locking	37337-6080

Item	Description	Part No.
22	O-Ring Impeller Locking Screw	33455-1047
23	Impeller Kit (includes 21, 22, 23)	801293
24	Mechanical Seal	37400-0028S
25	Seal Plate	401002
26	Motor	350306
27	Drive Hardware and Gasket Kit	350612
28	Variable Speed Drive	800060* *New VSF drive will retrofit to older model intelliflo pumps.
29	Terminal cover (pre 2019): Terminal cover (2019 onwards): 358526	353310
30	Control Cover	401101
NOT SHOWN		
-	Pump Fasteners Kit	801294
-	Power Supply Cable 15A	707446
-	IntelliComm Cable	350122
-	Gland Supply Cable	1300200

WHISPERFLO XF PUMP

REPLACEMENT PARTS

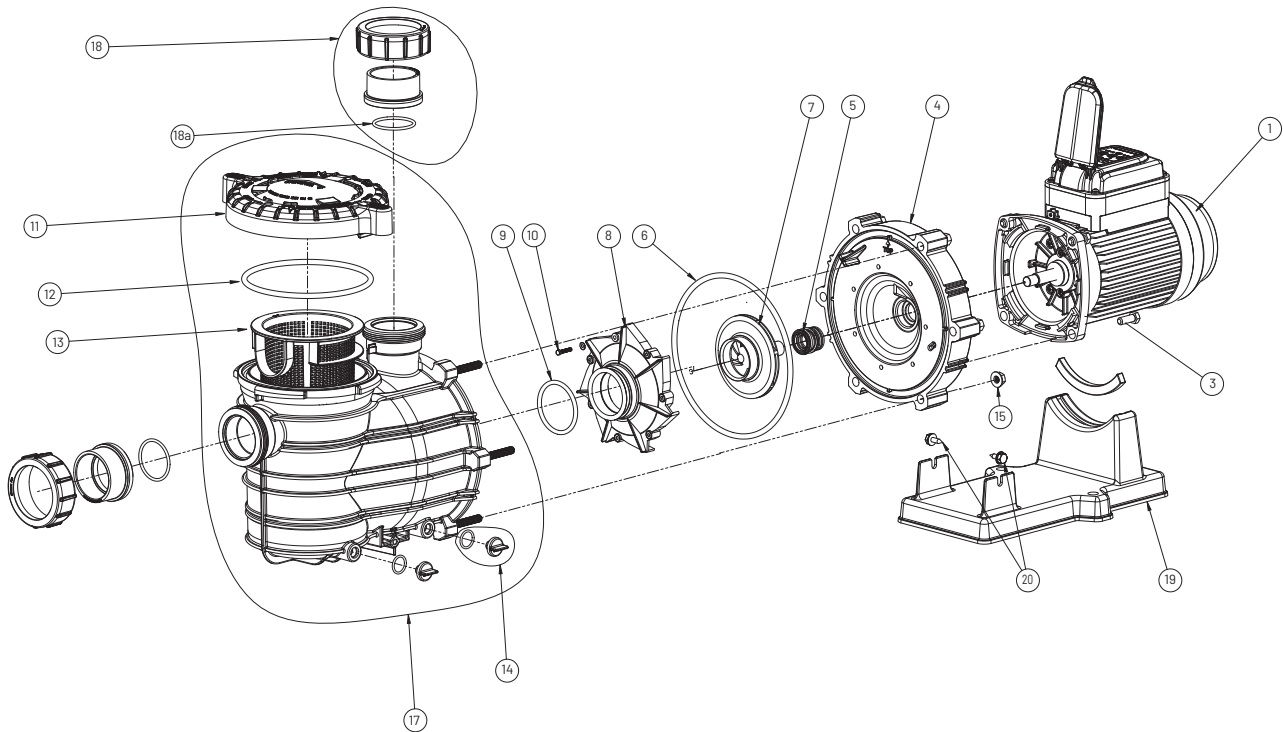


Item	Part No.	Description
WHISPERFLO XF PUMP		
1	801482 (405694)	MOTOR
2	401002	SEAL PLATE
3	See Pump Fasteners Kit	WASHER FLAT
4	See Pump Fasteners Kit	WASHER SPLIT
5	See Pump Fasteners Kit	NUT ACORN
	801294	PUMP FASTENERS KIT (INCLUDES 3, 4 & 5)x6
6	37400-0028s	MECHANICAL SEAL
7	351446	O-RING SEAL PLATE
8	See Impeller Kit	SCREW IMPELLER LOCKING
9	See Impeller Kit	O-RING IMPELLER LOCKING SCREW
10	See Impeller Kit	IMPELLER
	801293	IMPELLER KIT (INCLUDES ITEM 8, 9 & 10)
11	See Diffuser Kit	O-RING DIFFUSER
12	See Diffuser Kit	SCREW DIFFUSER
13	See Diffuser Kit	DIFFUSER

Item	Part No.	Description
13	801292	DIFFUSER KIT (INCLUDES ITEM 11, 12x2, 13)
14	401006	LID/LOCKING RING
15	400007z	BASKET
16	35505-1440	O-RING LID
17	192115	O-RING DRAIN PLUG
18	357161	DRAIN PLUG
19	401000	PUMP CASING ASSEMBLY
20	707456	BARREL UNION KIT
20a	410016Z	O-RING BARREL UNION
21	401004	MOTOR BASE

EVMX800 & EC0800 PUMPS

REPLACEMENT PARTS

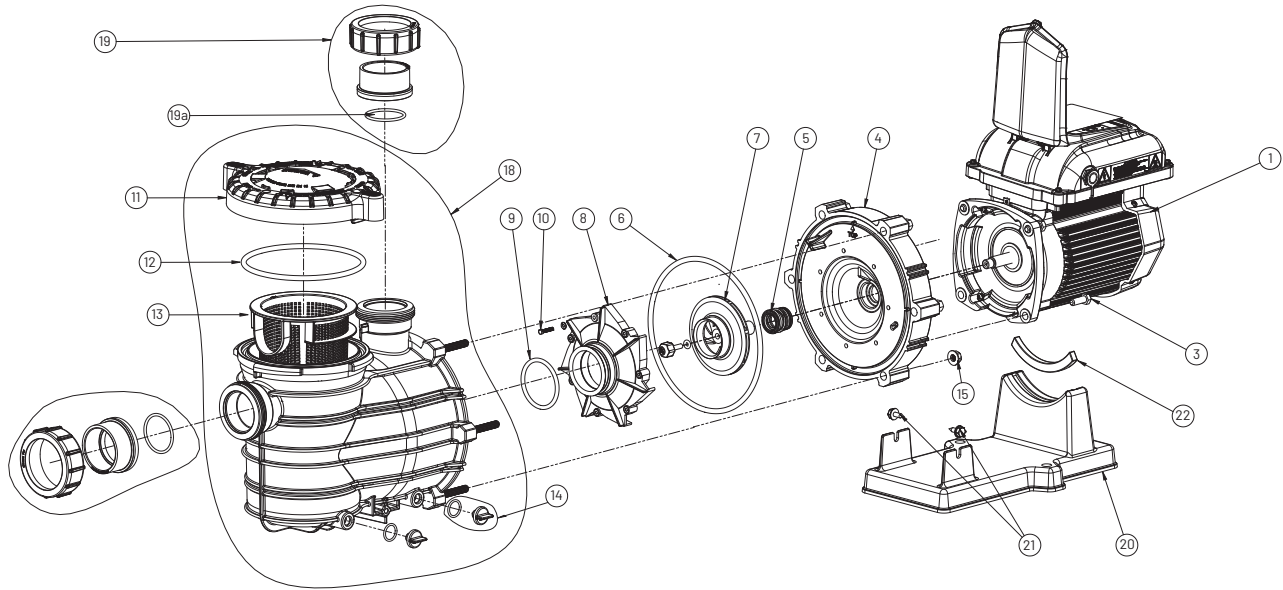


Item	Part No.	Description
ENVIROMAX PUMP		
1	801301	EVMX800 MOTOR
2	607290	SLINGER
3	See Fasteners Kit	SCREW 3/8"UNC x 1" HEX SS
	801431	FASTENERS KIT (INCL. ITEMS 3, 4, 15 & 16)
4	C3-184P	SEAL PLATE
5	801428	MECHANICAL SEAL
	800900	MECHANICAL SEAL (25 PACK)
6	U9-373	O-RING PUMP CASING
7	801426	IMPELLER
8	See Diffuser and O-Ring Kit	DIFFUSER
9	See Diffuser and O-Ring Kit	O-RING DIFFUSER
10	See Diffuser and O-Ring Kit	SCREW 8/32" x 22mm SS PHILLIPS HEAD
	801423	DIFFUSER & O-RING KIT (INCL. ITEMS 8,9&10)
11	17307-0111S	LID
12	35505-1440	O-RING LID
13	C8-58P	BASKET
14	U178-920P	DRAIN PLUG
15	See Fasteners Kit	NUT 3/8" SS

Item	Part No.	Description
16	See Fasteners Kit	WASHER SPRING M10 SS
17	C176-71P	PUMP CASING ASSEMBLY
18	801245K	BARREL UNION KIT, 2 required.
18c	702192	ORING-Collar Union
19	801281	BASE KIT (INCLUDES 19,20 & 21)
20	See Pump Base Kit	SCREW 5/16-14"x 1"
21	See Pump Base Kit	-
NOT SHOWN		
	801498	EC0800 CONTROL COVER
	800042	COVER TOP ENVIROMAX800
	800041	CONTROL BOARD REPLACEMENT KIT
	800043	ENVX800 KEY PAD COVER & PIN
	800018	AUTOMATION CABLE EVMX800

ENVIROMAX 1100 & 1500 PUMPS

REPLACEMENT PARTS

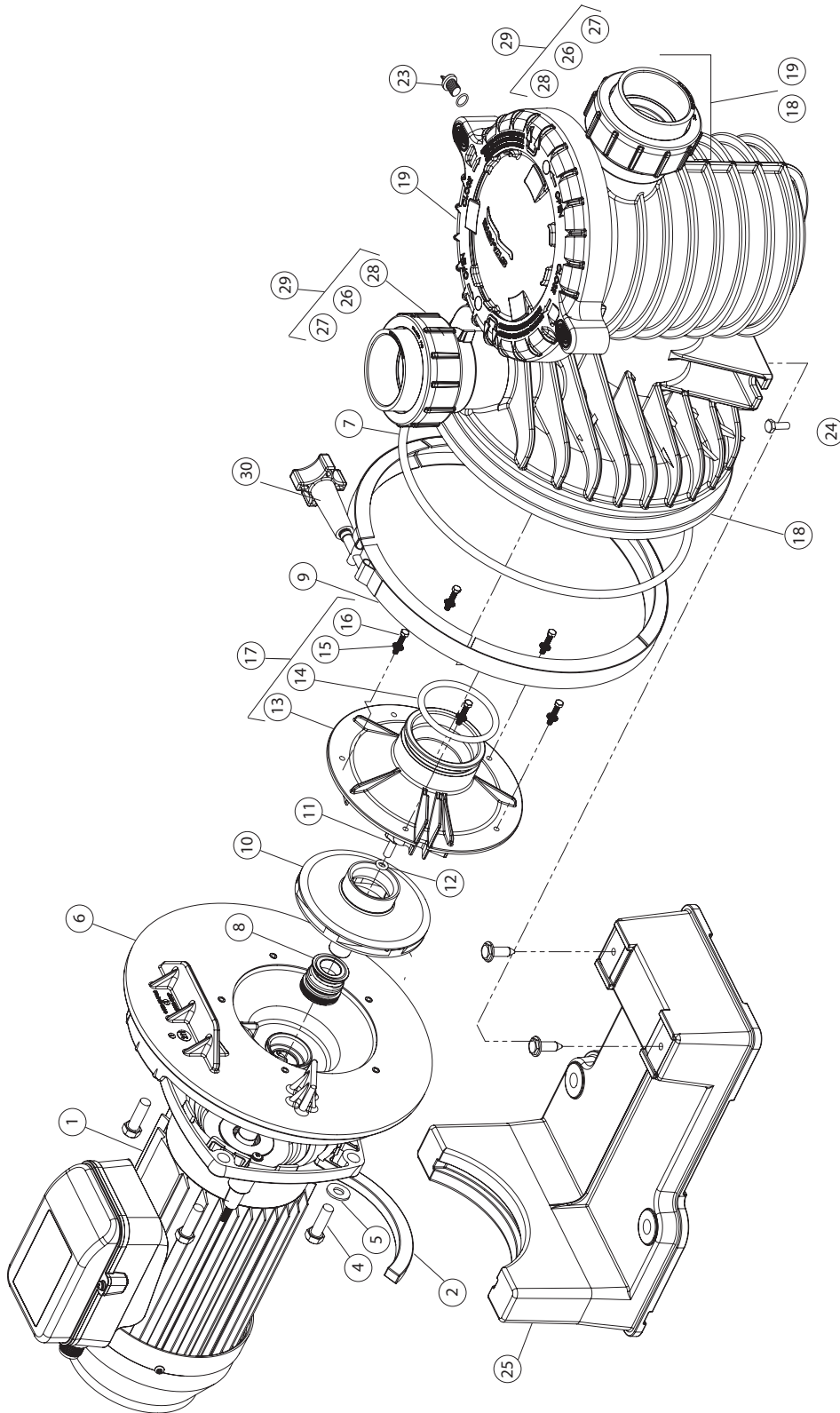


Item	Part No.	Description
ENVIROMAX 1500 PUMP		
1	800048*	Motor + Variable Speed Drive <small>*Enviromax 1500W motor can be used to replace earlier 1100W motors.</small>
3	See Fasteners Kit	Screw 3/8" UNC x 1" Hex SS
4	C3-184P	Seal Plate
5	801428	Mechanical Seal
6	U9-373	O-Rng Pump Casing
7	801426	Impeller
8	801423	Diffuser Kit
9	See Diffuser Kit	O-Ring Diffuser
10	See Diffuser Kit	Screw Diffuser
11	17307-0111S	Lid Pump Casing
12	35505-1440	O-Ring Lid
13	C8-58P	Basket
14	U178-920P	Drain Plug and O-Ring
15	See Fasteners Kit	Nut 3/8" SS
18	C176-71P	Pump Casing Assembly
19	801245K	Barrel Union Kit
19c	702192	O-Ring Barrel Union
20	801281	Pump Base Kit
21	See Base Kit	Screw 5/16-14" x 1" SS
22	See Base Kit	Motor Pad

Item	Part No.	Description
NOT SHOWN		
	801431	Fasteners Kit
	800047	EVMX1500 VS Drive
	801921	ENVIROMAX 1100 Motor Fan
	801924	ENVIROMAX 1100 Motor Cowl
	801925	ENVIROMAX 1100 Control Cover
	801919	ENVIROMAX 1100 Terminal Cover
	700888	Power Supply Cable 10A
	800050	ENVIROMAX 1500 Bearing Kit
	800053	ENVIROMAX 1500 Fan Cover
	800051	ENVIROMAX 1500 Fan Kit
	800049	ENVIROMAX 1500 Keypad Cover
	800046	ENVIROMAX 1500 Top Cover Kit (includes control)
	356324Z	Automation Cable EVMX1500
	1300200	Cable Gland

MAX-E-PRO SERIES PUMP

REPLACEMENT PARTS



⁵ Pumps built after 8/29/07.

⁶ Pumps built on or before 8/29/07.

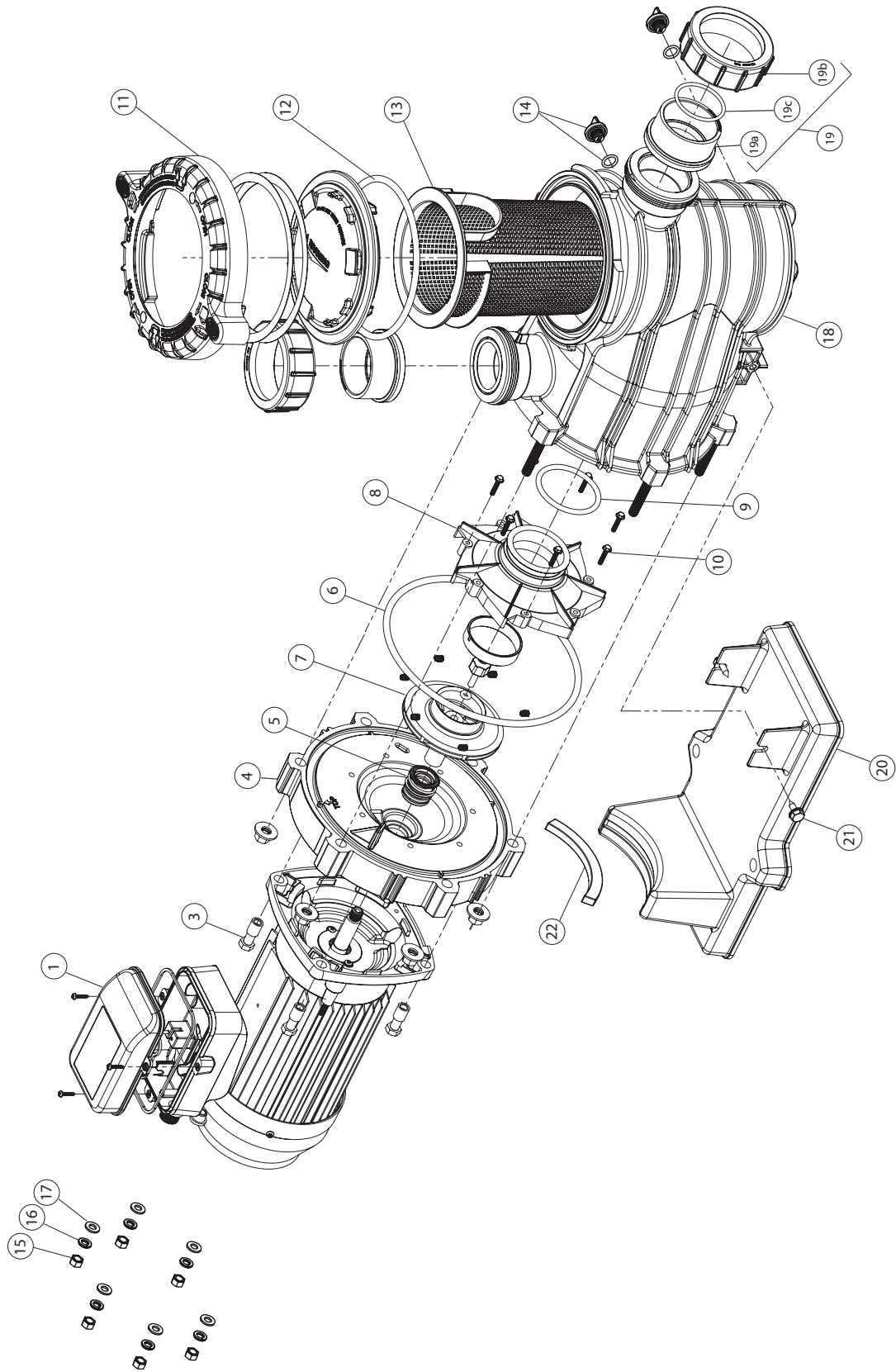
MAX-E-PRO SERIES PUMP

REPLACEMENT PARTS

Item	Description	Part No.	Part No.	Part No.	Part No.	Part No.	Part No.	Part No.	Part No.
1	MOTOR 1 Phase	MP730100	MP930100	MP110100	MP1108100	MP1500100	MP1508100	MP2201100	MP2208100
2	Motor Pad	801418	801419	801419	801366	801420	800565	801482	800565
3	Water Slinger	C35-44	C35-44	C35-44	C35-44	C35-44	C35-44	C35-44	C35-44
4	Screw 3/8inUNC x 1in Hex Hd S/St				801429				
5	Washer 3/8in x 3/4in x 18g St/St				801431 (Fasteners Kit)				
6	Seal Plate	C103-194PSSG	C103-194PSSG	C103-194PSSG	C103-194PSSG	C103-194PSSG	C103-194PSSG	C103-194PSSG	C103-194PSSG
7	O-ring - Body	U9-228A	U9-228A	U9-228A	U9-228A	U9-228A	U9-228A	U9-228A	U9-228A
8	Seal	801428	801428	801428	801428	801428	801428	801428	801428
9	Clamp	C19-37A	C19-37A	C19-37A	C19-37A	C19-37A	C19-37A	C19-37A	C19-37A
10	Impeller	C105-238PPB	C105-238PRB	C105-238PSB	800765	800766	800766	800767	800767
11	Impeller Screw (3 phase only)	-	-	-	37337-6080	37337-6080	37337-6080	37337-6080	37337-6080
12	O-RING Impeller Screw (3 phase only)	-	-	-	SR35505-1426	SR35505-1426	SR35505-1426	SR35505-1426	SR35505-1426
13	Diffuser	C1-271P1	C1-271P1	C1-271P1	C1-271P1	C1-271P1	C1-271P1	C1-271P1	C1-271P1
14	O-RING DIFFUSER	U9-374	U9-374	U9-374	U9-374	U9-374	U9-374	U9-374	U9-374
15	Lockwasher				No longer required				
16	Screw - Diffuser	707371	707371	707371	707371	707371	707371	707371	707371
17	Diffuser kit (Includes 13,14,15 and 16)	801273	801273	801273	801273	801274	801274	801274	801274
18	Tank Body Assembly	17307-0110W	17307-0110W	17307-0110W	17307-0110W	17307-0110W	17307-0110W	17307-0110W	17307-0110W
19	Trap Cover				17307-0111S				
20	O-ring - Trap Cover	35505-1440	35505-1440	35505-1440	35505-1440	35505-1440	35505-1440	35505-1440	35505-1440
22	Basket	C8-58P	C8-58P	C8-58P	C8-58P	C8-58P	C8-58P	C8-58P	C8-58P
23	Drain Plug & O-ring	U178-920P	U178-920P	U178-920P	U178-920P	U178-920P	U178-920P	U178-920P	U178-920P
24	Screw - Base	SRU30-918SS	SRU30-918SS	SRU30-918SS	SRU30-918SS	SRU30-918SS	SRU30-918SS	SRU30-918SS	SRU30-918SS
25	Base with Motor Pad and screws	C4-79P	C4-79P	C4-79P	C4-79P	C4-79P	C4-79P	C4-79P	C4-79P
26	O-RING - Barrel Union				702192				
27	Collar - Barrel Union Slip - 2"				U11-196PS				
28	Nut - Barrel Union				U11-200PS				
29	Union kit (Includes 26, 27 and 28)	801245K	801245K	801245K	801245K	801245K	801245K	801245K	801245K
30	Clamp Knob				WC 36-22				

SILENTFLO PUMP SERIES

REPLACEMENT PARTS



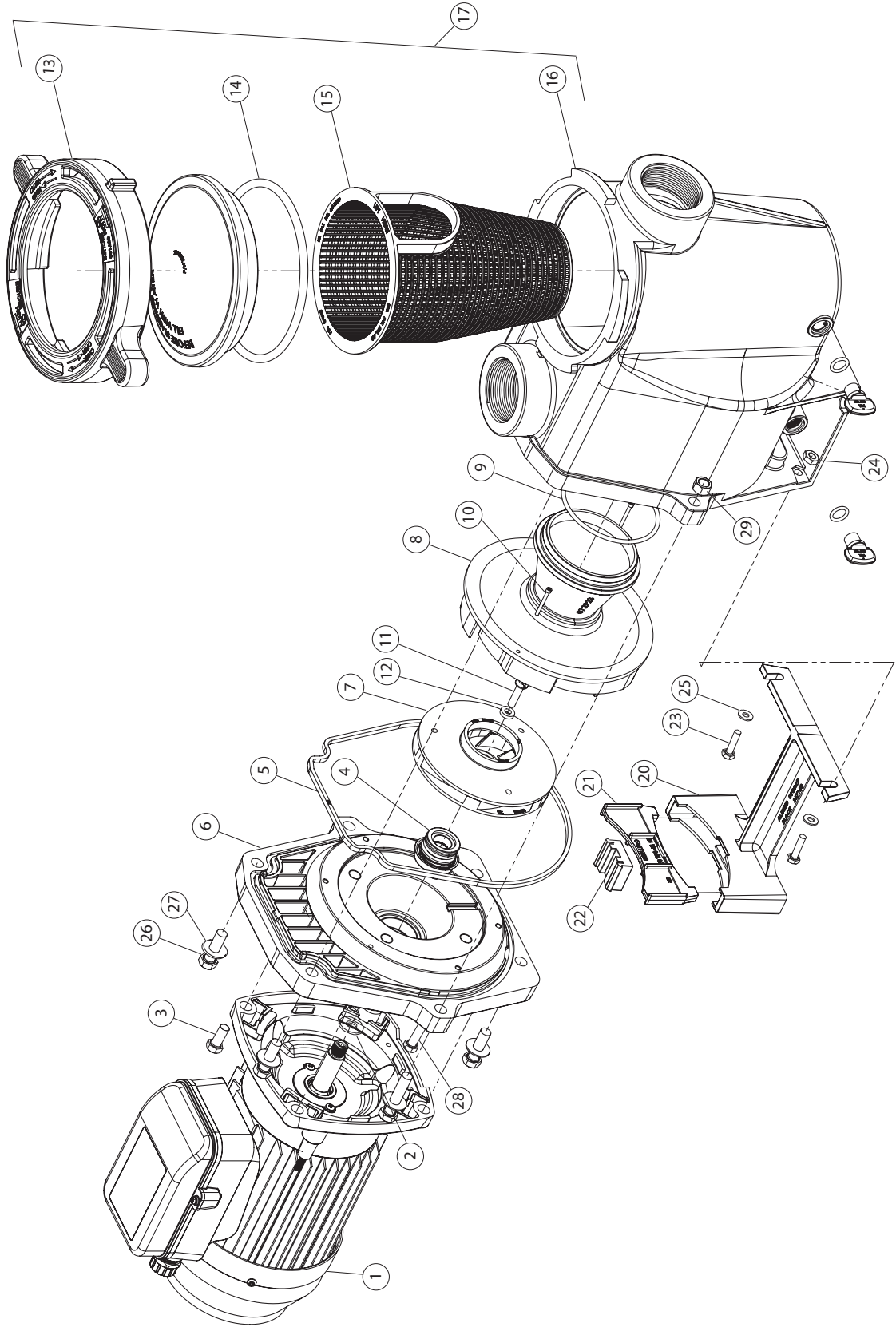
SILENTFLO PUMP SERIES

REPLACEMENT PARTS

Item	Description	Part No.	Part No.	Part No.	Part No.
		SF550100	SF750103	SF1100100	SF1500100
1	MOTOR	801418	801418	801419	801420
2	SLINGER		801429		
3	SCREW 3/8"UNC x 1" HEX SS		See Fasteners Kit		
	FASTENERS KIT (INCLUDES ITEM 3 x4, 17x4)		801431		
4	SEAL PLATE	C3-184P	C3-184P	C3-184P	C3-184P
5	MECHANICAL SEAL	801428	801428	801428	801428
	MECHANICAL SEAL (25 PACK)	800900	800900	800900	800900
6	O-RING PUMP CASING	U9-373	U9-373	U9-373	U9-373
7	IMPELLER	801424	801425	801426	801427
8	DIFFUSER		See Diffuser and O-Ring Kit		
9	O-RING DIFFUSER		See Diffuser and O-Ring Kit		
10	SCREW 8/32" x 22mm SS PHILLIPS HEAD		See Diffuser and O-Ring Kit		
	DIFFUSER & O-RING KIT (INCLUDES ITEM 8,9&10 x7)	801421	801422	801423	801423
11	LID (Before July 2010)	C3-185P	C3-185P	C3-185P	C3-185P
11	LID (After July 2010)	17307-0111S	17307-0111S	17307-0111S	17307-0111S
12	O-RING LID	35505-1440	35505-1440	35505-1440	35505-1440
13	BASKET	C8-58P	C8-58P	C8-58P	C8-58P
14	DRAIN PLUG & O-RING	U178-920P	U178-920P	U178-920P	U178-920P
15	NUT 3/8" SS		See Fasteners Kit		
16	WASHER SPRING M10 SS		See Fasteners Kit		
17	FLAT WASHER 3/8" x 3/4" x 18G		See Fasteners Kit		
18	PUMP CASING		See Pump Casing Assembly		
	PUMP CASING ASSEMBLY	C176-71P	C176-71P	C176-71P	C176-71P
19	BARREL UNION KIT (INCLUDES 19a, 19b & 19c) x2 required	801245K	801245K	801245K	801245K
19a	Collar - Barrel Union 2" SLIP		U11-196PS		
19b	NUT Barrel Union		U11-200PS		
19c	ORING - Barrel Union		702192		
20	BASE		See Pump Base Kit		
21	SCREW 5/16-14" x 1"		See Pump Base Kit		
22	MOTOR PAD		See Pump Base Kit		
	BASE KIT (INCLUDES 20, 21 & 22)	801281	801281	801281	801281

WHISPERFLO PUMP

REPLACEMENT PARTS



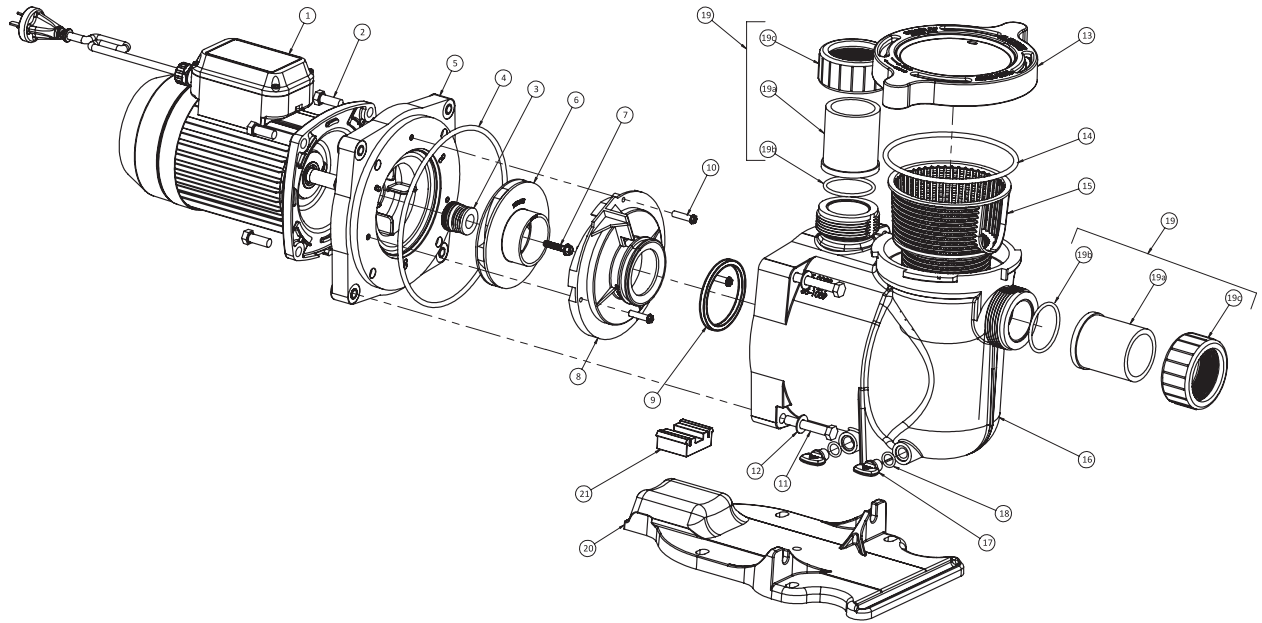
WHISPERFLO PUMP

REPLACEMENT PARTS

Item	Description	Part No.	Part No.	Part No.	Part No.	Part No.	Part No.
		WHFL-750-1P	WHFL-1100-1P	WHFL-1500-1P	WHFL-2100-1P	WHFL VS 800	WHFL VS 1500
1	MOTOR (INCLUDES 1,2&3)	801418	801419	801420	801482	801301	800048
2	SLINGER		801429				
3	BOLT 3/8" x 7/8 SS HEX		See Fasteners Kit				
	FASTENERS KIT		801431				
4	MECHANICAL SEAL		071734S				
5	ORING SEAL PLATE	357100	357100	357100	357100	357100	357100
6	SEAL PLATE		350101				
	SEAL PLATE KIT (INCLUDES ITEM 4,5&6)	350203K	350203K	350203K	350203K	350203K	350203K
7	IMPELLER (includes 11 & 12)	073127K	073129K	073130K	073131K	073128T	073130K
8	DIFFUSER (includes 8, 9 & 10)		072927K		072928K		
9	O-RING DIFFUSER			355227			
10	SCREW SET 4-40 11/8 WFE		See Diffuser Kit				
11	SCREW 1/4-20 X 1 LH PHIL PAN	N/A		See Impeller Kit		N/A	See Impeller Kit
12	RUBBER WASHER	N/A		See Impeller Kit		N/A	See Impeller Kit
13	LID	357150K	357150K	357150K	357150K	357150K	357150K
14	O-RING LID	350013	350013	350013	350013	350013	350013
15	BASKET	070387	070387	070387	070387	070387	070387
16	PUMP CASING		See Pump Casing Assembly				
17	PUMP CASING ASSEMBLY (INCLUDES 13,14,15&16)	359541	359541	359541	359541	359541	359541
18	BARREL UNION KIT (INCLUDES 18a,18b, 18c, 18d & 19)	89280110 (units manufactured May 2013 onwards) 700735 (units manufactured prior to May 2013)					
18a	BARREL UNION		See Barrel Union Kit				
18b	O-RING BARREL UNION		See Barrel Union Kit				
18c	TAIL PLAIN BARREL UNION		See Barrel Union Kit				
18d	NUT BARREL UNION		See Barrel Union Kit				
19	RUBBER WASHER BARREL UNION	See Barrel Union Kit (Not required for units manufactured May 2013 onwards)					
20	FOOT		See Foot Kit				
21	FOOT INSERT		See Foot Kit				
22	RUBBER MOTOR SUPPORT		See Foot Kit				
23	SCREW 1/4" x 1" HEX		See Foot Kit				
24	NUT 1/4" SS		See Foot Kit				
25	WASHER 1/4" x 5/8"		See Foot Kit				
	FOOT KIT (INCLUDES ITEMS 20-25)	357159K	357159K	357159K	357159K	357159K	357159K
26	BOLT 3/8" x 1 1/4 HEX		See Fasteners Kit				
27	WASHER 3/8 ID x 7/8 OD		See Fasteners Kit				
28	BOLT 3/8" x 2" HEX		See Fasteners Kit				
29	NUT 3/8" SS		See Fasteners Kit				
30	UNIONS	89280110	89280110	89280110	89280110	89280110	89280110
31	UNION O-RINGS	02020016	02020016	02020016	02020016	02020016	02020016

SUPERFLO PUMP

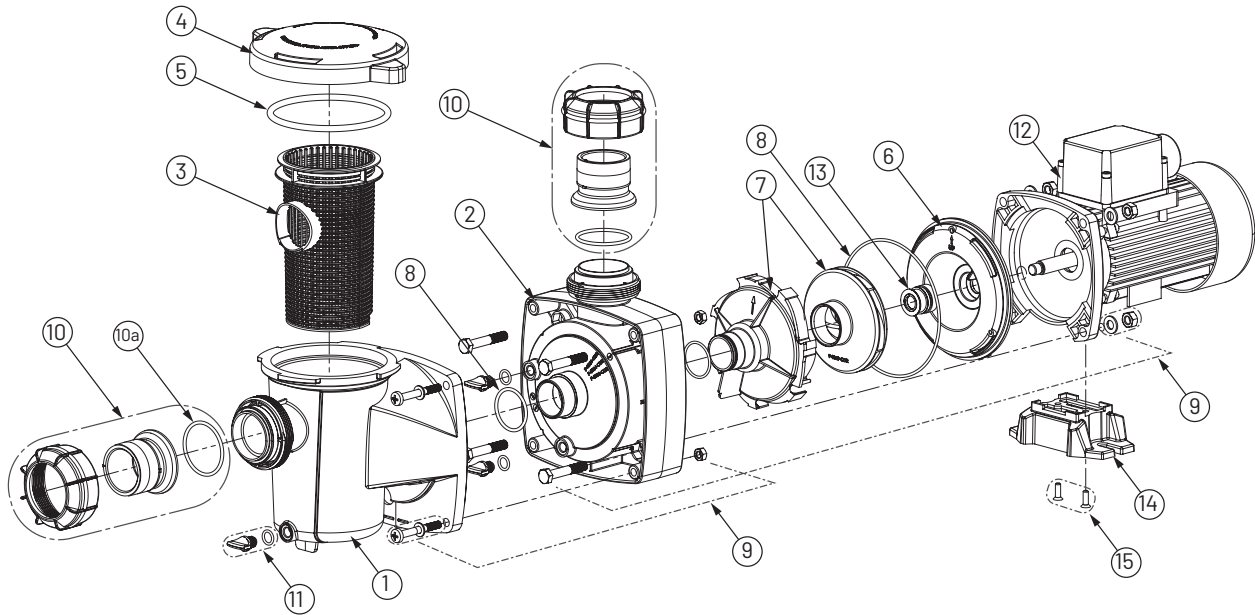
REPLACEMENT PARTS



Item	Description	Part No.	Part No.	Part No.
		SUFL-750-1P	SUFL-1100-1P	SUFL-1500-1P
1	MOTOR (INCLUDES 1,2&3)	801418	801419	801420
2	SCREW 3/8" UNC x1" HEX SS		See Motor Fasteners Kit	
	MOTOR FASTENERS KIT (INCLUDES ITEM 2x4)	801279	801279	801279
3	MECHANICAL SEAL		See Seal Kit	
4	ORING SEALPLATE		See Seal Kit	
	SEAL KIT (INCLUDES ITEM 3, 4 & 9)	354545K	354545K	354545K
5	SEAL PLATE	355612K	355612K	355612K
6	IMPELLER	355067K	355086K	355093K
8	DIFFUSER		See Diffuser Kit	
9	SEAL DIFFUSER		See Diffuser Kit	
10	SCREW 8-32 x 22mm SS PHILLIPS HEAD		See Diffuser Kit	
	DIFFUSER KIT (INCLUDES ITEM 8, 9 & 10x3)	355617K	355618K	350170K
11	SCREW 3/4-16 x 2.1/4 HEX HD		See Pump Fasteners Kit	
12	WASHER PUMP CASING		See Pump Fasteners Kit	
	PUMP FASTENERS KIT (INCLUDES ITEM 11 & 12)x4	801295	801295	801295
13	LID		See Lid and O-Ring Kit	
14	O-RING LID		See Lid and O-Ring Kit	
	LID AND O-RING KIT	350090K	350090K	350090K
15	BASKET	355667K	355667K	355667K
16	PUMP CASING		See Pump Casing Assembly	
17	DRAIN PLUG		See Drain Plug Kit	
18	O-RING DRAIN PLUG		See Drain Plug Kit	
	DRAIN PLUG KIT (INCLUDES ITEM 17 & 18)x2	357161K	357161K	357161K
	PUMP CASING ASSEMBLY (INCLUDES ITEM 13, 14, 15, 16, 17 & 18)	353110K	353110K	353110K
19	BARREL UNION KIT (INCLUDES 19a,19b & 19c)x2	351157	351157	351157
19b	O-RING BARREL UNION		6020018	
20	BASE		See Base Kit	
	BASE KIT (INCLUDES ITEM 20 & 21)	351094K	351094K	351094K

FREEFLO PUMP

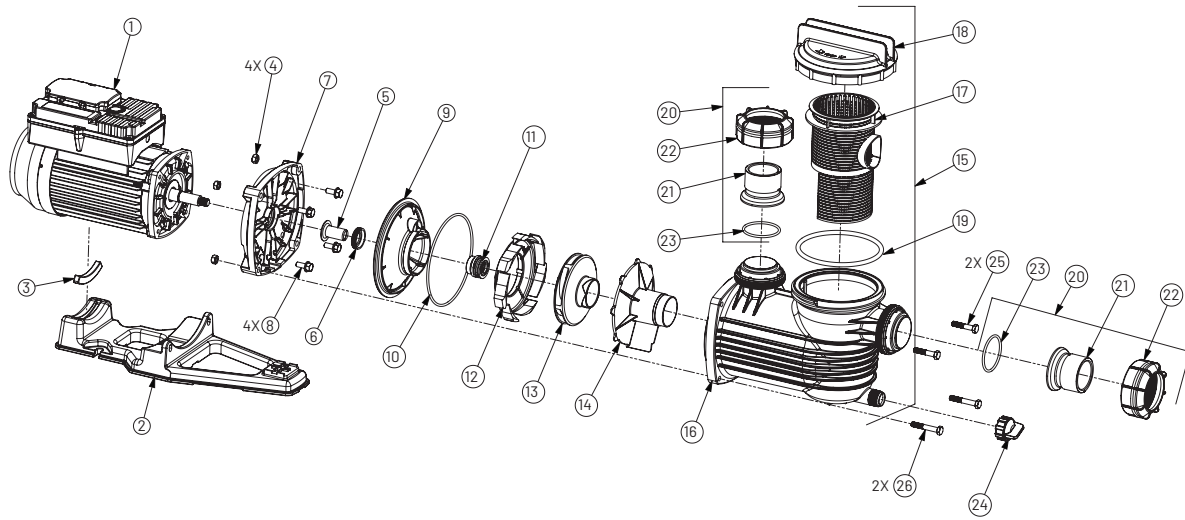
REPLACEMENT PARTS



Item	Description	Part No.			
		FFL-051-AU	FFL-071-AU	FFL-101-AU	FFL-151-AU
1	Pot Housing			R0001	
2	Pump Housing			R0004	
3	Basket			R0007	
4	Pump Lid			R0008	
5	O-Ring Pump Lid			R0009	
6	Seal Plate			R0010	
7	Diffuser	R0012	R0013	R0014	R0015
8	O-Ring Kit			R0016	
9	Fasteners Kit			R0007	
10	Union Kit			800714	
11	Drain Plug and O-Ring			R0020	
12	Motor			No longer available	
13	Mechanical Seal			R0025	
14	Motor Base			R0026	
15	Screw Motor Base			R0027	

PANTERA ECO VS & EVO 2-SPEED PUMPS

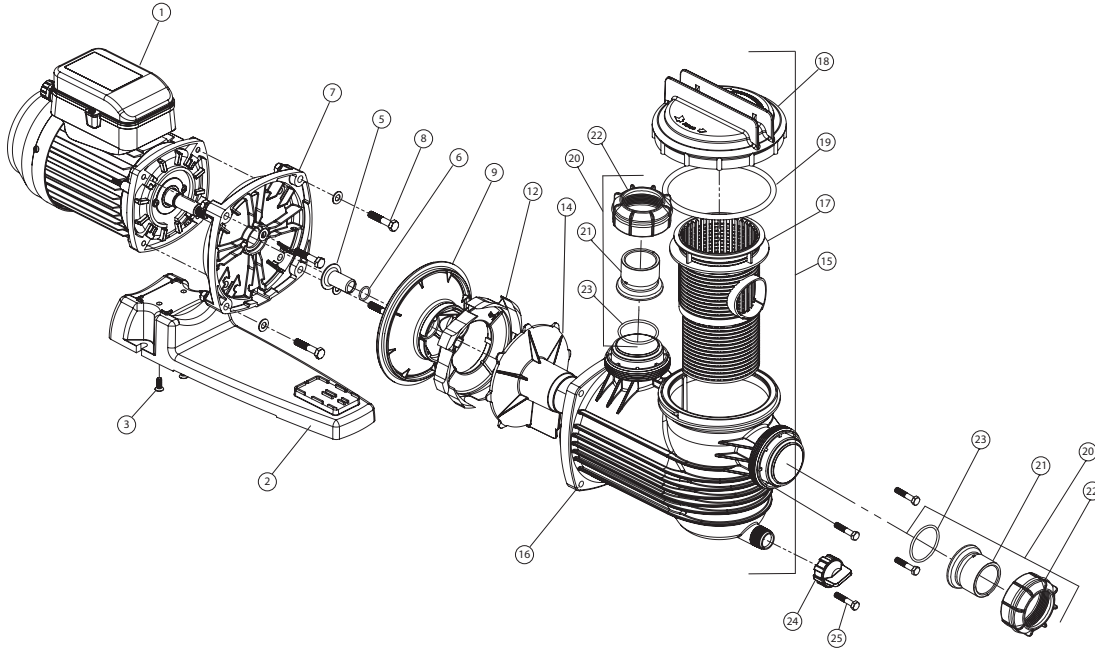
REPLACEMENT PARTS



Item	Description	Part No.	
		PPP-950-2SP	PPP-800-VS
1	MOTOR	800223	800145
2	BASE PANTERA EVOLUTION	702509	702509
4	NUT 5/16in W HEX ST/ST	SEE FASTENERS KIT	
5	SHAFT SLEEVE	800895K	700093
6	ORING SHAFT SLEEVE (PK10)	702218K	702218K
7	YOKE AND LIP SEAL	412050	
8	SCREW 5/16inW x 3/4in HWF S/S	SEE FASTENERS KIT	
9	BAFFLE	305300	
10	ORING CASING	702206K	
11	MECHANICAL SEAL	SEE SEAL KIT	707372K
	SEAL KIT (INCLUDES ITEMS 5,6,10&11)	800583K	N/A
	MECHANICAL SEAL (PACK OF 25)	801303	801303
12	DIFFUSER	303460K	305460K
13	IMPELLER	506840K	507530K
14	SEPERATOR PLATE	408730	
15	CASING ASSEMBLY (INCLUDES ITEMS 16,17,18&19)	801200K	
16	CASING PANTERA POOL PUMP	SEE CASING ASSEMBLY	
17	STRAINER BASKET	302310	
18	LID & O-RING KIT (INCLUDES ITEMS 18&19)	800897K	
19	O-RING LID (4PK)	702208K	
20	BARREL UNION KIT(INCLUDES ITEMS 21,22&23)	800714	
23	O-RING TAIL & NUT	702193	
24	DRAIN PLUG 3/4" BSP FEMALE	504605	
25	SCREW 5/16inW x 1.1/2in HWF SS	SEE FASTENERS KIT	
	FASTENERS KIT (INCLUDES ITEMS 4&25 x4)	801278	
NOT SHOWN			
	Keypad Cover	801317	
	PCB	800039	800042
	Cap Cover	801320	801498

PANTERA HIGH PERFORMANCE PUMP

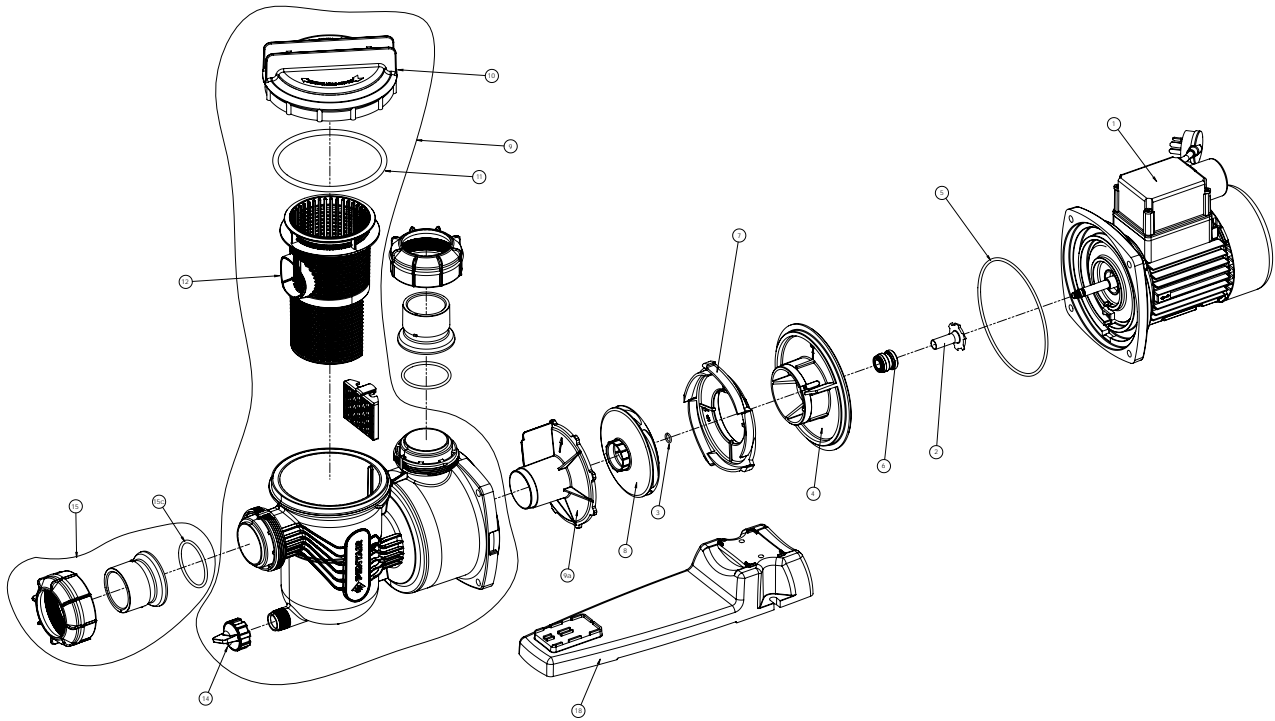
REPLACEMENT PARTS



Item	Description	Part No.	Part No.	Part No.	Part No.
		PPP-550-1P	PPP-750-1P	PPP-1100-1P	PPP-1500-1P
1	MOTOR	(405976)801210	(405976)801210	(405977)801277	(405977)801277
2	BASE & SCREW KIT (INCLUDES ITEMS 2&3)	800532	800532	800532	800532
2	BASE [2017onward]	702509	702509	702509	702509
4	NUT 5/16inW HEX ST/ST	SEE FASTENERS KIT			
5	SHAFT SLEEVE KIT (INCLUDES 5&6)	800895K			
7	YOKE AND LIP SEAL	412050	412050	412050	412050
8	SCREW 5/16inW x 3/4in HWF S/S	SEE FASTENERS KIT			
9	BAFFLE	305300	305300	305300	305300
10	ORING CASING	702206K			
11	MECHANICAL SEAL	SEE SEAL KIT			
	SEAL KIT (INCLUDES ITEMS 5,6,10&11)	800583K	800583K	800583K	800583K
	MECHANICAL SEAL (PACK OF 25)	801303	801303	801303	801303
12	DIFFUSER	305460K	305460K	303460K	303460K
13	IMPELLER	512750K	507530K *512700 for PPP750-02	506840K	506820K
14	SEPERATOR PLATE	408730	408730	408730	408730
15	CASING ASSEMBLY (INCLUDES ITEMS 16,17,18&19)	801200K	801200K	801200K	801200K
16	CASING PANTERA POOL	SEE CASING ASSEMBLY			
17	STRAINER BASKET	302310	302310	302310	302310
18	LID	SEE CASING ASSEMBLY / LID & O-RING KIT			
19	O-RING CASING & LID	SEE CASING ASSEMBLY / LID & O-RING KIT			
	LID & O-RING KIT (INCLUDES ITEMS 18&19)	800897K	800897K	800897K	800897K
20	BARREL UNION KIT (INCLUDES ITEMS 21,22&23)	800714	800714	800714	800714
23	O-RING TAIL & NUT	702193			
24	DRAIN PLUG 3/4" BSP FEMALE	504605	504605	504605	504605
25	SCREW 5/16inW x 1.1/2in HWF SS	SEE FASTNERES KIT			
	FASTENERS KIT (INCLUDES ITEMS 4, 8 & 25)	801278	801278	801278	801278

LEISURETIME HIGH PERFORMANCE PUMP

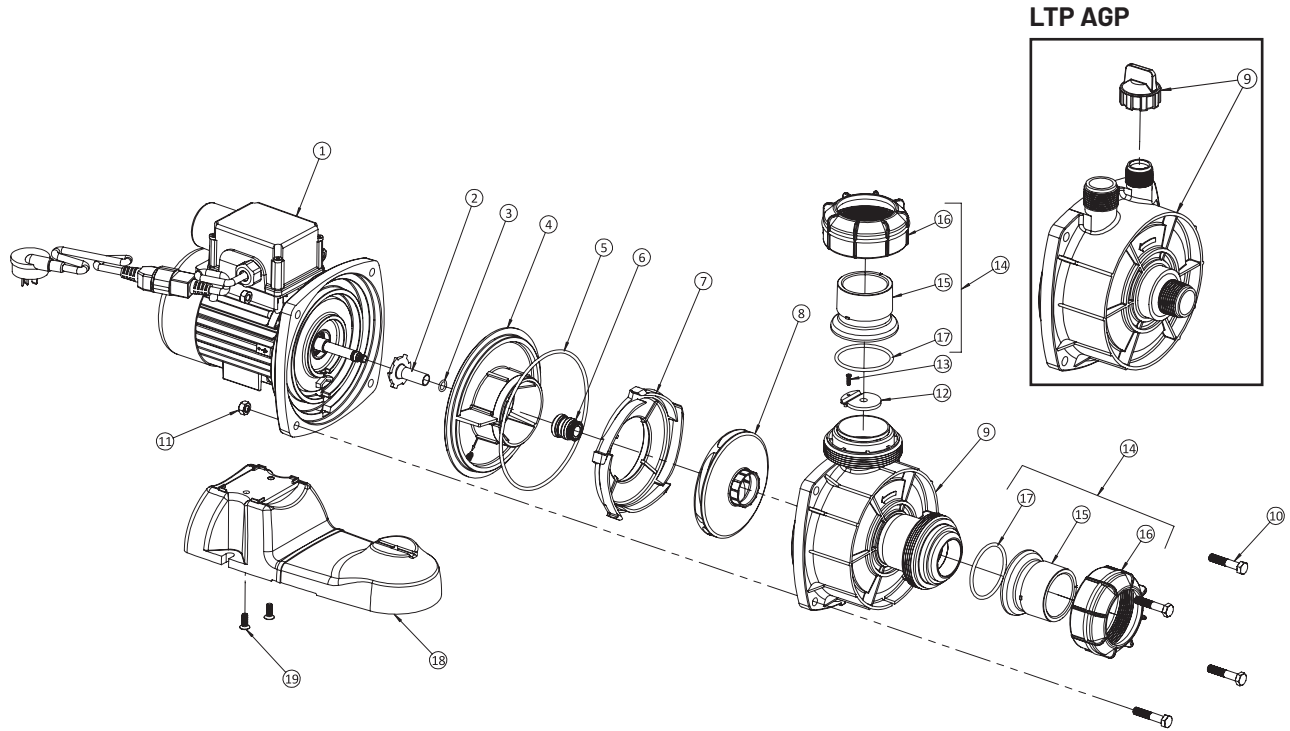
REPLACEMENT PARTS



Item	Description	Part No.	Part No.	Part No.	Part No.
		LTP400	LTP550	LTP750	LTP1100
1	MOTOR	800738	800442	800442	801211
2	SHAFT SLEEVE (INCLUDES ITEM 2&3)	800894K	800894K	800894K	800895K
3	O-RING SHAFT SLEEVE (10 Pack)		702196K		702218K
4	BAFFLE	302060K	302060K	302060K	305300
5	ORING-CASING	702206K	702206K	702206K	702206K
6	MECHANICAL SEAL (25 Pack)		702789K(800901)		700270K(800900)
	SEAL KIT (INCLUDES ITEM 2,3,5 & 6)	800582K	800582K	800582K	800583K
7	DIFFUSER	302200K	302200K	302190K	303460K
8	IMPELLER	504593K	510803K	504823K	506840K
9	CASING ASSEMBLY	800410	800410	800410	800410
9A	SEPERATOR PLATE	408610	408610	408610	412140
10	LID (INCLUDES O-RING)	800897K	800897K	800897K	800897K
11	ORING-LID (4 Pack)		702208(702208K)		
12	BASKET	302310	302310	302310	302310
13	FINGER GUARD	508210	508210	508210	508210
14	DRAIN PLUG	504605	504605	504605	504605
15	BARREL UNION KIT (2pk)	800714	800714	800714	800714
15c	ORING-SWIVEL BARREL UNION	702193	702193	702193	702193
18	BASE & SCREW KIT	800532	800532	800532	800532
	NON-RETURN CLACKER	604021K	604021K	604021K	604021K
	PUMP FASTENERS KIT	801278	801278	801278	801278

LEISURETIME SOLAR & AGP PUMPS

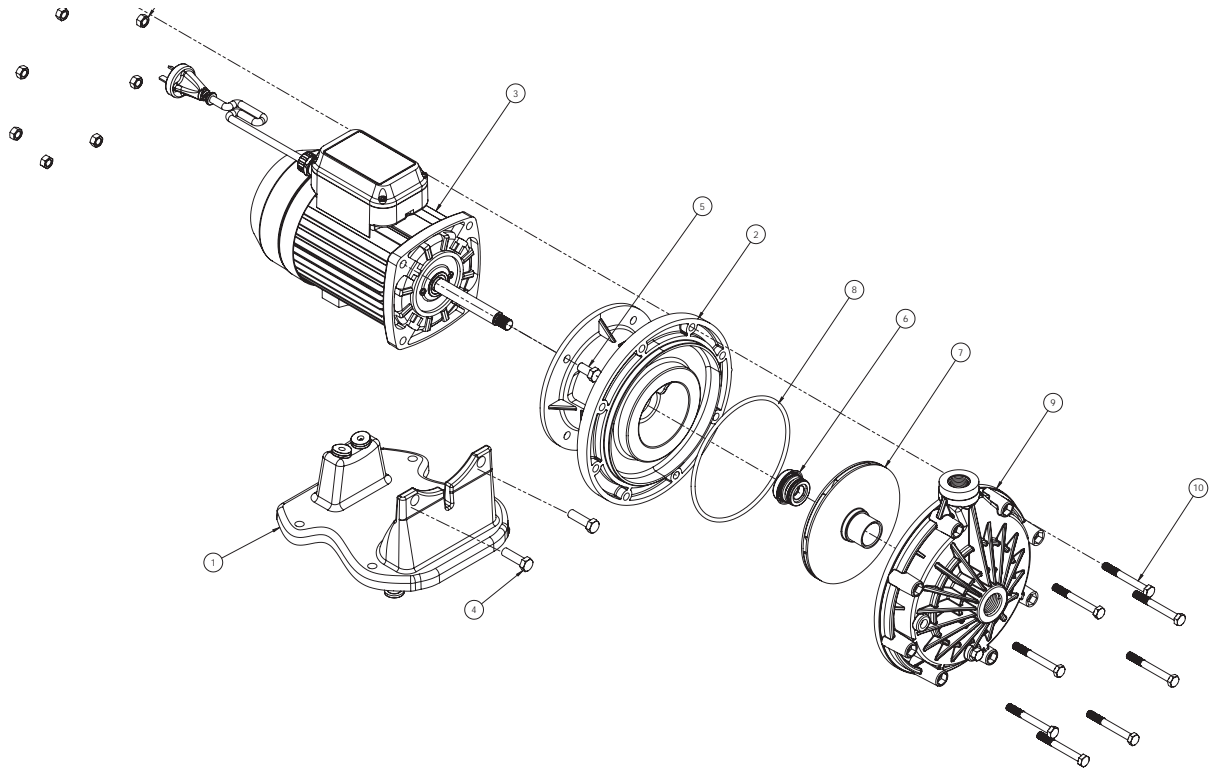
REPLACEMENT PARTS



Item	Description	Part No.	Part No.	Part No.
		LTP400S	LTP550S	LTP750S
1	MOTOR	800738	800442	800442
2	SHAFT SLEEVE & O-RING KIT (INCLUDES ITEM 2 & 3)	800894K	800894K	800894K
3	O-RING SHAFT SLEEVE (10 PACK)	702196K	702196K	702196K
4	BAFFLE	302060K	302060K	302060K
5	ORING-CASING	702206K	702206K	702206K
6	MECHANICAL SEAL	702789K	702789K	702789K
	SEAL KIT (INCLUDES ITEM 2,3,5 & 6)	800582K	800582K	800582K
	MECHANICAL SEAL (25 PACK)	800901	800901	800901
7	DIFFUSER	302200K	302200K	302190K
8	IMPELLER	504593K	510803K	504823K
9	CASING & B/UNION ASSEMBLY LTP SOLAR	707426	707426	707426
9	CASING ASSEMBLY LTP AGP	512646	512647	512647
10	SCREW 5/16inW x 1.1/2in HWF Hd		See Pump Fasteners Kit	
11	NUT 5/16inW HEX Steel		See Pump Fasteners Kit	
	PUMP FASTENERS KIT (INCLUDES ITEM 10 & 11)x4	801278	801278	801278
12	CLACKER ASSEMBLY (INCLUDES ITEM 12 & 13)	800904K	800904K	800904K
14	BARREL UNION ASSEMBLY(INCLUDES ITEM 15, 16 & 17)x2	800714	800714	800714
17	ORING -BARREL UNION	702193	702193	702193
18	BASE & SCREWS KIT (INCLUDES 18 & 19x2)	304600K	304600K	304600K
	PRIMING CAP (AGP ONLY)	504605	504605	504605

MAX-BOOST BOOSTER PUMP

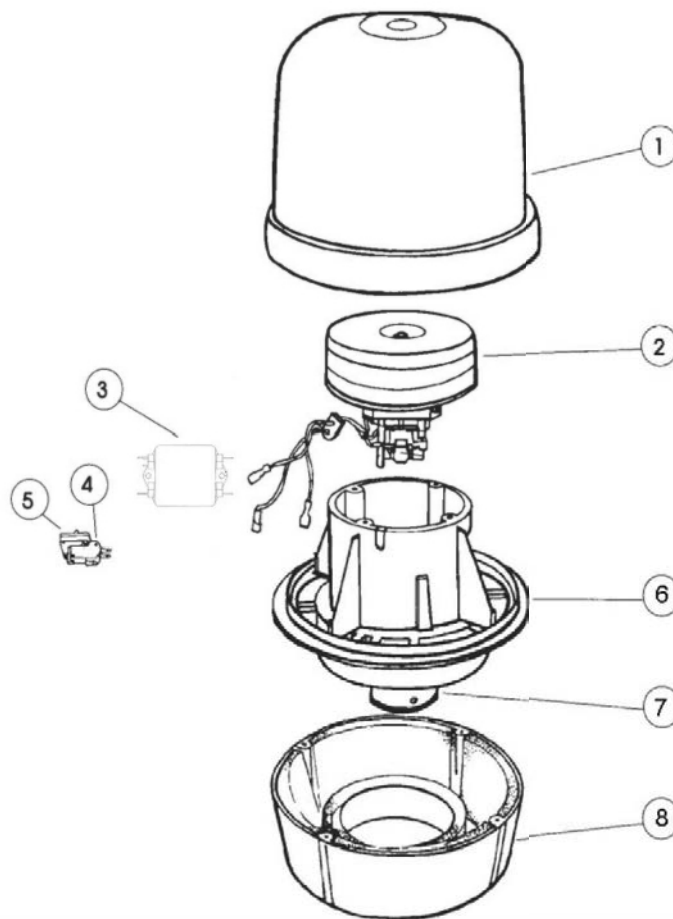
REPLACEMENT PARTS



Item	Part No.	Description
BOOSTER PUMP		
1	LA41APC	Pump stand 99, complete with rubber grommets
2	LA295	Seal bracket (Includes Mechanical Seal Bellows)
3	801493	Motor
4	See Fasteners Kit	Bolt 3/8-16 x 1-1/4 in., 2 req.
5	See Fasteners Kit	Bolt 3/8-16 x 3/4 in., 2 req.
-	801495	Fasteners Kit (Includes 4, 5, 10 & 11)
6	See Seal Kit	Mechanical Seal - Set includes both cap and bellows
-	800309	Seal Kit (Includes mechanical seal, all o-rings and drain plug)
7	LA02L5A	Impeller
8	See Seal Kit	O-ring for seal bracket
9	LA395N	Volute
10	See Fasteners Kit	Bolt Pump Casing
11	See Fasteners Kit	Nut Pump Casing
NOT SHOWN		
-	353040	NEW Hose kit
-	707634	Barrel Union PVC 40mm Slip - 40mm Slip
-	707631	Adaptor PVC 25mm Slip - 40mm Spigot
-	707626	Adaptor 1" NPT to 25mm PVC Spigot
-	353094	Host fitting to 1" NPT (2pk)

SPA POOL BLOWER

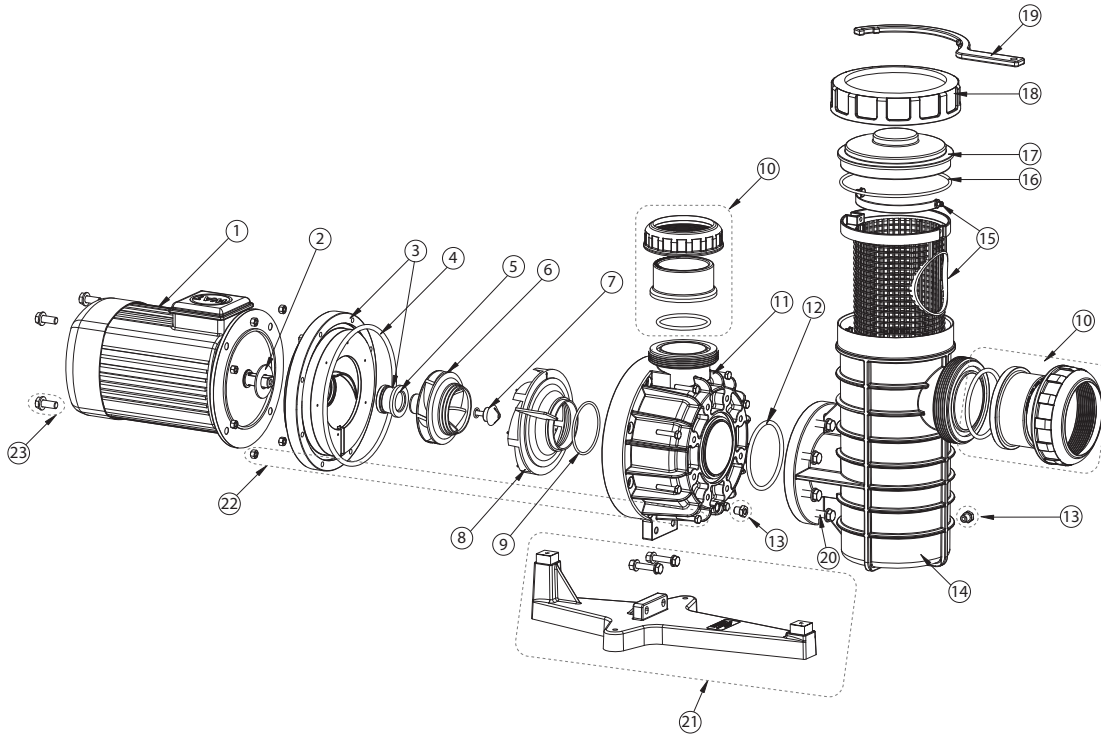
REPLACEMENT PARTS



Item	Part No.	Description
BOOSTER PUMP		
1	1100508	Cover
2	707431	Motor (1200 Watt)
3	707425	EMC Filter
4		Micro Switch
5		Air Switch Holder
-	302470	Air Sensor Assembly (Includes Items 4&5)
6		Motor Housing
7	1043300	Checkvalve (40mm-50mm)
-	707435	Motor Housing and Check -Valve Assembly (Includes Items 6&7)
8	707497	Cowl
NOT SHOWN		
-	707492	Plug & Cord (Air-Switch Model)
-	800193	Air Button 50mm (O.D.) x 30mm (Body) x 59mm (Length)

5PSP- 3,5- 4,5- 5,5HP

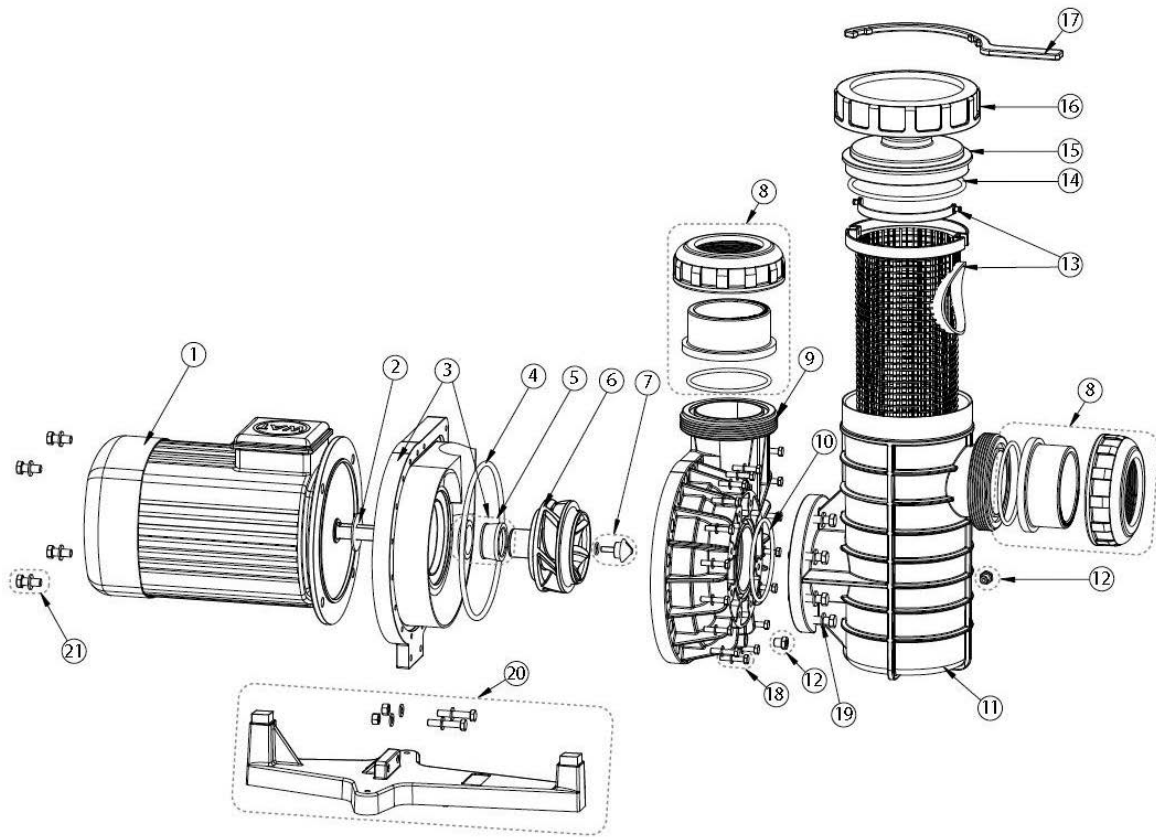
REPLACEMENT PARTS



Item	Part No.	Description
1	RPSP3531	Motor - Tri Phase 3,50HP
	RPSP4531	Motor - Tri Phase 4,50HP
	RPSP5531	Motor - Tri Phase 5,50HP
2	RPSP3530	Waterslinger
3	RPSP3529	Seal Plate incl. Mechanical Seal
4	See set.	O-ring
5	See seal set.	Mechanical Seal
6	RPSPS3526	Impeller 3,50HP
	RPSPS4526	Impeller 4,50HP
	RPSPS5526	Impeller 5,50HP
7	RPSP3524	Impeller Lock Screw incl. O-ring
8	RPSP3523	Diffuser
9	See seal set.	O-ring
10	PMP35-18 IPMP35-17 IPMP35-09 IPMP35-08	Union Nut Discharge Union Tail Discharge Union Nut Suction Union Tail Suction
11	RPSP3515	Pump Body
12	RPSP3514	O-ring
13	RPSP3510	Drain Plug
14	RPSP3511	Strainer Pot
15	RPSP3506	Basket
16	RPSP3504	O-ring
17	RPSP3503	Lid
18	RPSP3502	Locking Ring
19	RPSP3501	Wrench for locking ring
20	RPSP3512	Bolt Set
21	RPSP35201	Base 3,5HP
	RPSP35202	Base 4,5 - 5,5HP
22	RPSP3513	Bolt Set
23	RPSP3532	Bolt Set
	RPSPSETA	Seal Set (Partn° 2, 4, 5, 9, 12, 16)

5PSP-7,5-10HP

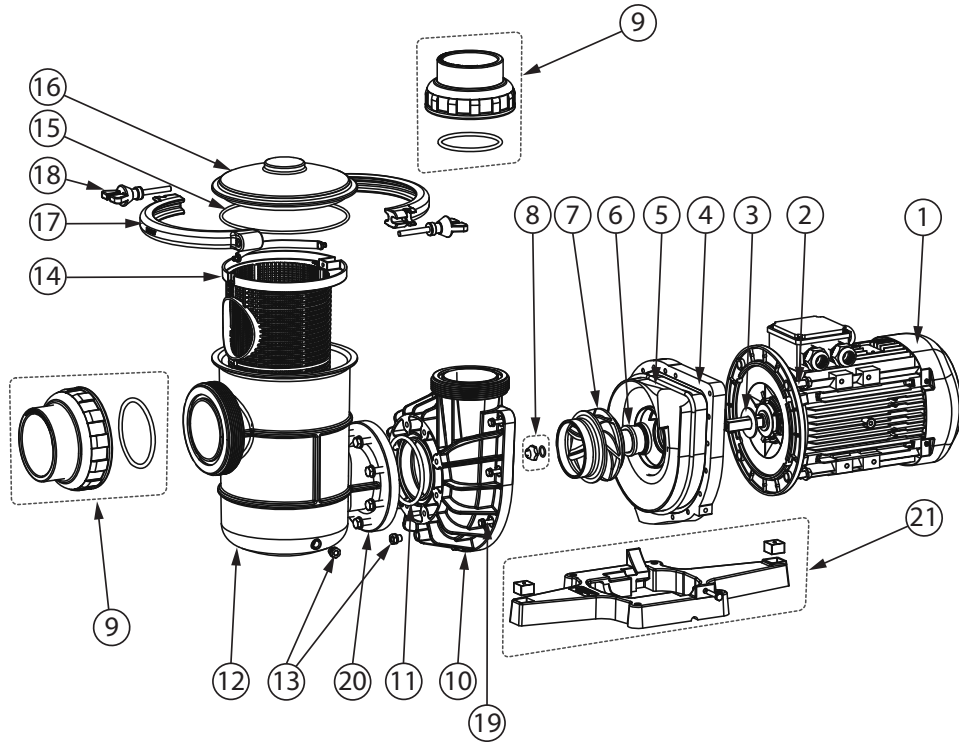
REPLACEMENT PARTS



Item	Part No.	Description
1	RPSP7531	Motor - Tri Phase 7,50HP
	RPSP1031	Motor - Tri Phase 10HP
2	RPSP7528	Waterslinger
3	RPSP7527	Seal Plate incl. Mechanical Seal
4	See seal set.	O-ring
5	See seal set.	Mechanical Seal
6	RPSP7524	Impeller 7,50HP
	RPSP1024	Impeller 10HP
7	RPSP7522	Impeller Lock Screw incl. O-ring
8	PMP35-09	Union Nut
	IPMP35-08	Union Tail
9	RPSP7515	Pump Body
10	See seal set.	O-ring
11	RPSP3511	Strainer Pot
12	RPSP3510	Drain Plug
13	RPSP3506	Basket
14	See seal set.	O-ring
15	RPSP3503	Lid
16	RPSP3502	Locking Ring
17	RPSP3501	Wrench for locking ring
18	RPSP3513	Bolt Set
19	RPSP3512	Bolt Set
20	RPSP3520	Base
21	RPSP7530	Bolt Set
	RPSPSETB	Seal Set (Partn° 2, 4, 5, 10, 14)

5PSP- 7,5 - 10 - 12,5HP V2

REPLACEMENT PARTS



Item	Part No.	Description
1	RPSPS7529	Motor - Tri Phase 7,50HP
	RPSPS1029	Motor - Tri Phase 10HP
	RPSPS1229	Motor - Tri Phase 12,5HP
2	RPSP7530	Bolt Set
3	RPSP7528	Waterslinger
4	RPSPS7527	Seal Plate incl. Mechanical Seal
5	See seal set.	O-ring
6	See seal set.	Mechanical Seal
7	RPSPS7524	Impeller 7,50HP
	RPSPS1024	Impeller 10HP
	RPSPS1224	Impeller 12,5HP
8	RPSP7522	Impeller Lock Screw incl. O-ring
9	IPMP35-08	Union Tail Discharge
	PMP35-09	Union Nut Discharge
	IPMP75-08	Union Tail Suction
	PMP75-09	Union Nut Suction
10	RPSP7514	Pump Body
11	See seal set.	O-ring
12	RPSP7507	Strainer Pot
13	RPSP3510	Drain Plug
14	RPSP3506	Basket
15	RPSP7503	O-ring
16	RPSP7501	Lid
17	RPSP7504	Locking Clamps
18	RPSP7502	Screws for Locking Clamps
19	RPSP3513	Bolt Set
20	RPSP3512	Bolt Set
21	RPSP7517	Base
	RPSPSETC	Seal Set (Partn° 3, 5, 6, 11, 15)

MOTORS

REPLACEMENT PARTS

Part No.	Description	For pumps:
		END-SHIELDS (DE = DRIVE END, NDE = NON DRIVE END)
704015	END-SHIELD NDE Motor 405914/405975	LTP550/LTP750/LTP1100
704018	END-SHIELD DE Motor 405914	LTP550/LTP750
801261	END-SHIELD DE Motor 405975	LTP1100 (use 800122 for end-shield without bearing retainer)
801906	END-SHIELD NDE Motor 405976/405977	PPP-550-1P/PPP-750-1P/PPP-1100-1P/PPP-1500-1P (prior 2017)
800026	END-SHIELD NDE Motor 405703	PPP-550-1P/PPP-750-1P (2017 onwards)
801262	END-SHIELD DE Motor 405977	PPP-1100-1P/PPP-1500-1P (prior 2017)
800027	END-SHIELD DE Motor	PPP-1100-1P/PPP-1500-1P (2017 onwards) PPP-950-2SP
801263	END-SHIELD DE Motor 405976	PPP-550-1P/PPP-750-1P (prior 2017)
800025	END-SHIELD DE Motor 405703	PPP-550-1P/PPP-750-1P (2017 onwards)
801306	END-SHIELD DE Motor 405691	SF550100/SF750103/SUFL-750-1P/WHFL-750-1P/MP730100
801307	END-SHIELD NDE Motor 405691	SF550100/SF750103/SUFL-750-1P/WHFL-750-1P/MP730100
801308	END-SHIELD DE Motor 405692	SF1100100/SUFL-1100-1P/WHFL-1100-1P/MP930100/MP1100100
801309	END-SHIELD NDE Motor 405692	SF1100100/SUFL-1100-1P/WHFL-1100-1P/MP930100/MP1100100
801310	END-SHIELD DE Motor 405693	SF1500100/SUFL-1500-1P/WHFL-1500-1P/MP1500100
801311	END-SHIELD NDE Motor 405693	SF1500100/SUFL-1500-1P/WHFL-1500-1P/MP1500100
801312	END-SHIELD DE Motor 405694	WHFL-2100-1P/MP2201100/WHFL-2100-XF
801313	END-SHIELD NDE Motor 405694	WHFL-2100-1P/MP2201100/WHFL-2100-XF
800120	END-SHIELD DE INTELLIFLO	INTELLIFLO
800121	END-SHIELD NDE INTELLIFLO	INTELLIFLO
FANS AND COWELS		
703721	FAN Motor 405906	LTP400
704087	FAN Motor 405914/975/976/977/857G	LTP550/LTP750/LTP1100/(PPP-550-1P/PPP-750-1P/PPP-1100-1P/PPP-1500-1P prior 2017)
410460	FAN COVER Motor 405914/405975/405976/405977	LTP550/LTP750/LTP1100/PPP-550-1P/(PPP-750-1P/PPP-1100-1P/PPP-1500-1P prior 2017)
703759	FAN COVER Motor 405789G 405906	LTP400
800224	FAN & COWL KIT 750W	SF550100/SF750103/SUFL-750-1P/WHFL-750-1P/MP730100/ (PPP-550/PPP-750 2017 onward)
800225	FAN & COWL KIT 1100W 1500W	SF1100100/SUFL-1100-1P/WHFL-1100-1P/MP930100/MP1100100 SF1500100/SUFL-1500-1P/WHFL-1500-1P/MP1500100/MB-1300-1P/(PPP-1100/ PPP-1500 2017 onward)
800226	FAN & COWL KIT 2100W	WHFL-2100-1P/MP2201100/WHFL-2100-XF
800227	FAN & COWL KIT EVMX800	EVMX800, WHFL-750-1P, PPP-800-VS
705978	FAN 405076/405078	MP1108100, MP1508100, MP2208100
705980	COWL 405076/405078	MP1108100, MP1508100, MP2208100
352501	FAN AND COWL KIT INTELLIFLO	011014U, 011017U, 011018U

MOTORS

REPLACEMENT PARTS

Part No.	Description	For pumps:
CAPACITORS		
801316	CAPACITOR 10uF P2	PPP-950-2SP
801314	CAPACITOR 12uF P2	LTP400
801315	CAPACITOR 20uF P2	LTP550/LTP750/(PPP-550-1P/PPP-750-1P prior to 2017)
707157	CAPACITOR 25uF P2	LTP1100/PPP-1100/SF1100100/SUFL-1100-1P/WHFL-1100-1P/MP930100/MP1100100/PPP-950-2SP/MP2201100(x2)/WHFL-2100-1P(x2)PPP1500
707158	CAPACITOR 30uF P2	SF550100/SF750103/SUFL-750-1P/WHFL-750-1P/MP730100/MB-1300-1P (PPP-550/PPP-750 2017 onward)
707447	CAPACITOR 35uF P2	SF1500100/SUFL-1500-1P/WHFL-1500-1P/MP1500100
802015	FLY LEADS	Set of 2 leads with connectors for connecting spare capacitors with tabs to replace leaded type capacitors.
TERMINAL COVERS		
305250	BASE-TERMINAL BOX MOTOR 405906	LTP400
304050	TERMINAL BOX MOTOR 405914/405975/405976/405977	LTP550/LTP750/LTP1100/PPP-550-1P/PPP-750-1P/PPP-1100-1P/PPP-1500-1P
801251	TERMINAL BOX MOTOR 405906	LTP400
707156	TERMINAL BOX MOTOR 405691/405692/405693	SF550100/SF750103/SUFL-750-1P/WHFL-750-1P/MP730100/SF1100100/SUFL-1100-1P/WHFL-1100-1P/MP930100/MP1100100/SF1500100/SUFL-1500-1P/WHFL-1500-1P/MP1500100
801485	TERMINAL BOX MOTOR 405694	WHFL-2100-1P/MP2201100/WHFL-2100-XF
705973	TERMINAL BOX MOTOR 405070/405072/405074/405076/405078	MP730100/MP930100/MP1100100/MP1500100/MP2201100 models produced prior to 2012
BEARINGS		
703609	BEARING 6201 Dbl Contact Seals	NDE (LTP400)
703610	BEARING 6202 Dbl Contact Seals	DE & NDE (LTP550/LTP750) NDE (LTP1100/ PPP-550-1P/PPP-750-1P/ PPP-1100-1P/PPP-1500-1P) DE (LTP400)
703611	BEARING 6203 Dbl Contact Seals	DE & NDE (SF550100/SF750103/SUFL-750-1P/WHFL-750-1P/MP730100 SF1100100/SUFL-1100-1P/WHFL-1100-1P/MP930100/MP1100100/EVMX1100) NDE (WHFL-2100-1P/MP2201100/WHFL-2100-XF/MP1108100/MP1508100/MP2208100)
703612	BEARING 6204 Dbl Contact Seals	DE (LTP1100/ PPP-550-1P/PPP-750-1P/ PPP-1100-1P/PPP-1500-1P) PPP prior 2017 DE (MP1108100/MP1508100/MP2208100)
801497	BEARING 6004 Dbl Contact Seals	DE&NDE (SF1500100/SUFL-1500-1P/WHFL-1500-1P/MP1500100/PPP-950-2SP) DE (WHFL-2100-1P/MP2201100/WHFL-2100-XF) PPP-1100/1500/750/550 2017 onward
700727	BEARING 6302 Dbl Contact Seals	DE (EVMX800/WHFL-800-VS/PPP-800-VS)
700089	BEARING 6304 Dbl Contact Seals	NDE (EVMX800/WHFL-800-VS/PPP-800-VS)
700089	BEARING 6304-2RSL	DE IntelliFlo, IntelliFlo XF
700090	BEARING 6205-2RSL	NDE IntelliFlo, IntelliFlo XF
800534	BEARING KIT 2x6202 Bearings	See 703610
801496	BEARING Retainer + Screw	All PPP pumps (2017 onward), All SUFL pumps, All WHFL pumps, All SilentFlo Pumps, All Max-E-Pro-IP pumps.
POWER SUPPLY CABLES		
707407	10A Supply Cable	All Pumps Except those Listed Below
700888	10A Supply Cable EnviroMax	EnviroMax EVFL1100, EVMX1500
707446	15A Supply Cable	IntelliFlo, WHFL-2100-1P, WHFL-2100-XF, MP2201100
OTHER		
700133	Slinger and Lip Seal Kit	Pantera, SilentFlo, SuperFlo, Max-E-Pro, WhisperFlo, EVMX800

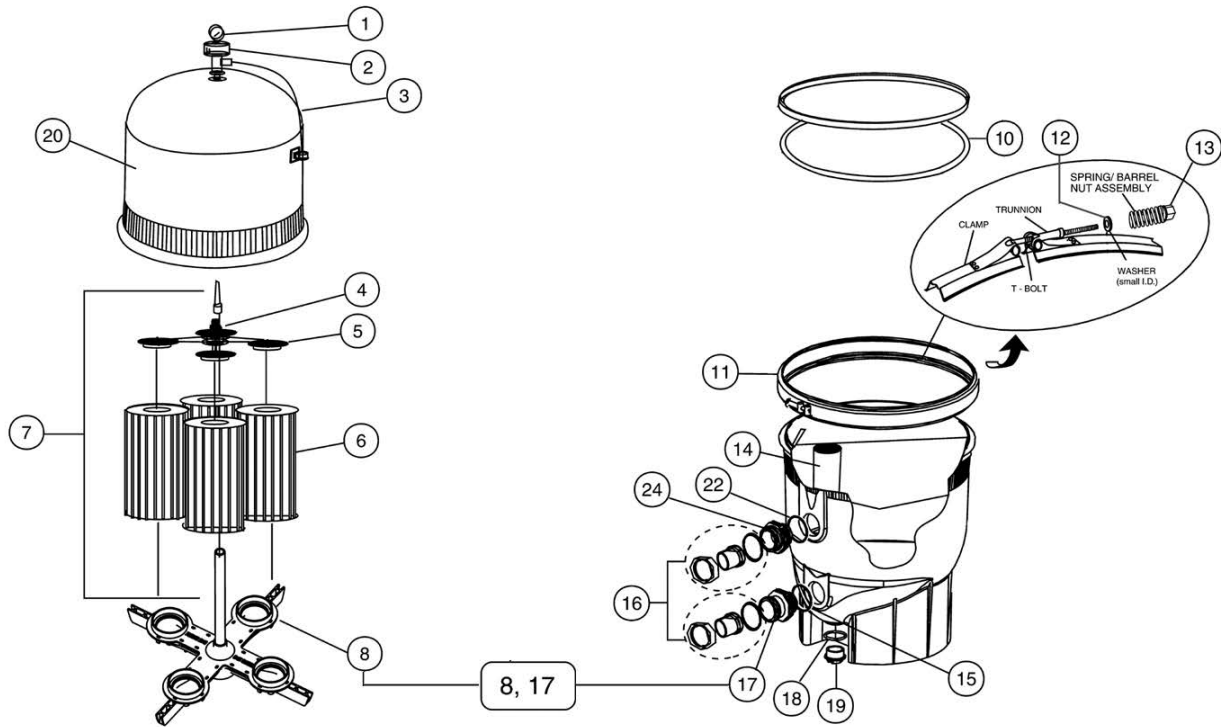


REPLACEMENT PARTS

POOL FILTERS

CLEAN & CLEAR PLUS FILTER

REPLACEMENT PARTS

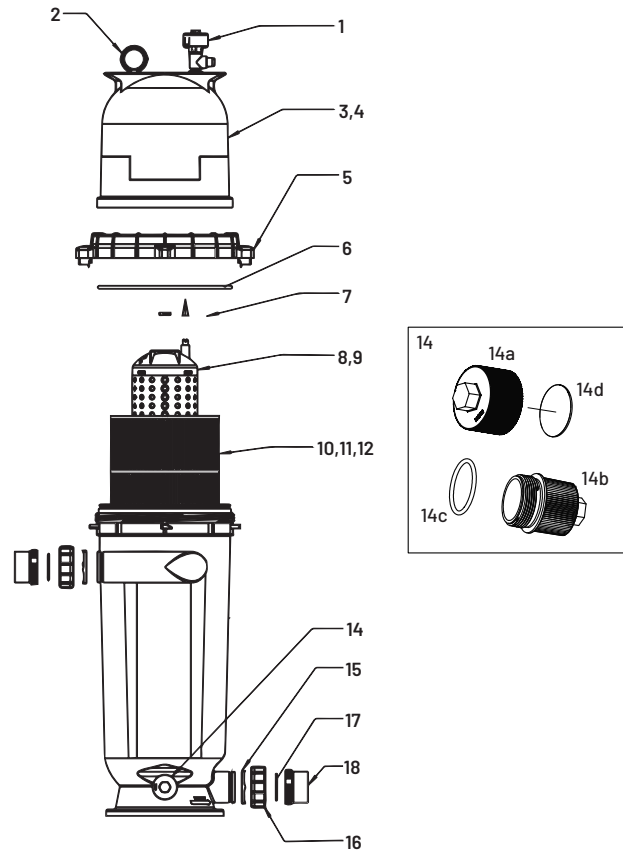


Item	Part No.	Description
CLEAN & CLEAR PLUS FILTERS		
1	190058	Gauge, pressure, 1/4 in.
2	98209800	High Flow manual air relief valve, HF MARV
4	178616	Spring, compression
5	170026	Manifold, top assembly, 240 sq. ft.
5	170027	Manifold, top assembly, 320, 420 & 520 sq. ft.
6	R173572	Cartridge Element, 240 sq. ft., Single
	179133	Cartridge Element, 240 sq. ft., 4 Pack
6	R173573	Cartridge Element, 320 sq. ft., Single
	179134	Cartridge Element, 320 sq. ft., 4 Pack
6	R173576	Cartridge Element, 420 sq. ft., Single
	179135	Cartridge Element, 420 sq. ft., 4 Pack
6	R173578	Cartridge Element, 520 sq. ft., Single
	179136	Cartridge Element, 520 sq. ft., 4 Pack
7	170030	Air bleed tube assembly, 240 sq. ft.
7	170029	Air bleed tube assembly, 320 sq. ft.
7	170028	Air bleed tube assembly, 420 sq. ft.
7	178583	Air bleed tube assembly, 520 sq. ft.
8	170040	Manifold, bottom
10	39010200	Tank body O-Ring
10	071439	Tank body O-Ring (0.5" Alternative)

Item	Part No.	Description
11	190003	Clamp kit, tension control
12	53006300Z	Washer, .325 i.d. for filter clamp
12	195610	Washer, sm. i.d.
13	53108900	Spring/barrel nut assembly
14	190039	Baffle, bulkhead assembly
15	86006900	O-ring, bulkhead, lower
16	270100	2 in. Adaptor kit, 2 in. x 2-1/2 in set, black
17	170035	Pipe assembly, outlet/manifold, bottom (includes bulkhead 178575 and O-rings 86006900 & 3544571)
18	51005000	O-ring for drain plug
18	191474	O-ring for drain plug
19	86202000	Plug, 1-1/2 in. drain with O-ring
19	190030	Cap plug
20	59020700	Tank, lid assembly, 240 sq. ft.
20	59055300	Tank, lid assembly, 320 sq. ft.
20	59055400	Tank, lid assembly, 420 sq. ft.
20	59055500	Tank, lid assembly, 520 sq. ft.
22	192320	O-ring, bulkhead, upper
22	86006900	O-ring, bulkhead, upper & lower
23	195339	SS back-up ring
24	194801	Bulkhead, 2-3/8, 8 buttress thread

POSI-CLEAR RP FILTER

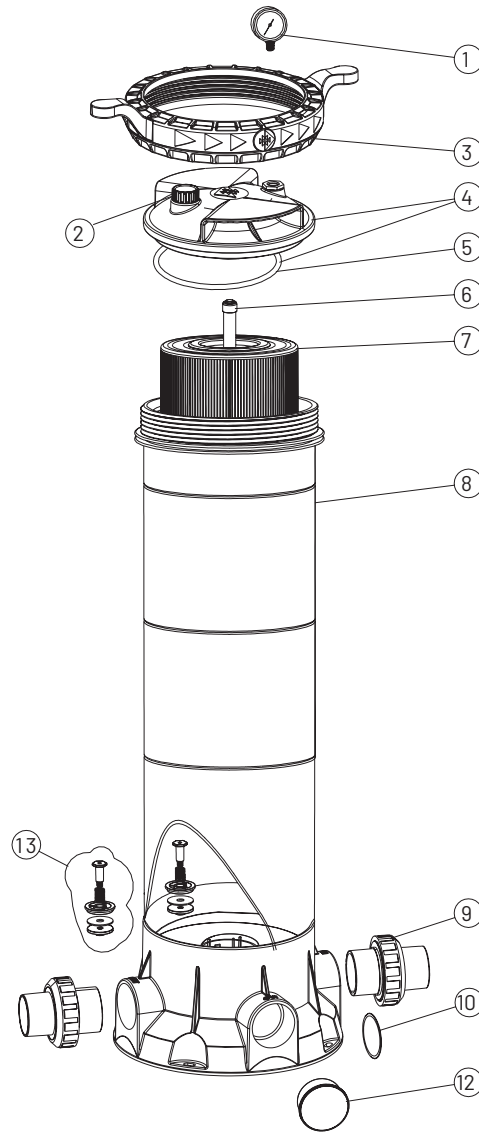
REPLACEMENT PARTS



Item	Part No.	Description
POSI-CLEAR RP FILTERS		
1	98209800	High flow manual air relief valve
2	190058	Pressure gauge
3	59053001Z	Lid, 100 sq. ft. filter
4	178745Z	Lid, 150, 200 sq. ft. filter
5	59052900	Locking ring assembly
6	87300400	Body O-ring
7	59016200	Air bleed sock kit
8	59053700	Center core, 100 sq. ft. filter
9	59053800	Center core, 150, 200 sq. ft. filter
10	R173215	Cartridge element, 100 sq. ft. filter
11	R173216	Cartridge element, 150 sq. ft. filter
12	R173217	Cartridge element, 200 sq. ft. filter
14a	154712	Drain cap (internal cap thread)
14b	190030	Drain cap (external cap thread)
14c	191474	O-ring drain cap (external cap thread)
14d	154715	Gasket drain cap (internal cap thread)
15	178732Z	Union nut "C" clip (2pk)
16	U11-200PS	Union nut
17	178746Z	Union diamond seal (2pk)
18	178733Z	Union Kit, threaded tail (Includes 15, 17 & 18) (2pk)

FREEFLO CARTRIDGE FILTER

REPLACEMENT PARTS

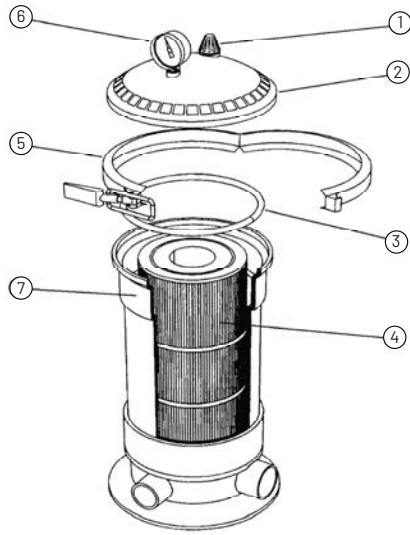


Item	Part No.	Description
FREEFLO CARTRIDGE FILTERS		
1	800741	Pressure Gauge With O-ring(40psi)plus adapter
2	800742	Air Release Valve with o-ring
3	800743	Ring Lock for cartridge filter
4	800744	Cartridge filter Lid
5	800745	O-Ring for Lid
6	800746	FFCF75 PVC Air Vent Pipe With Cover
6	800747	FFCF100 PVC Air Vent Pipe With Cover
6	800748	FFCF150 PVC Air Vent Pipe With Cover
6	800749	FFCF200 PVC Air Vent Pipe With Cover
7	800750	FFCF75 Element

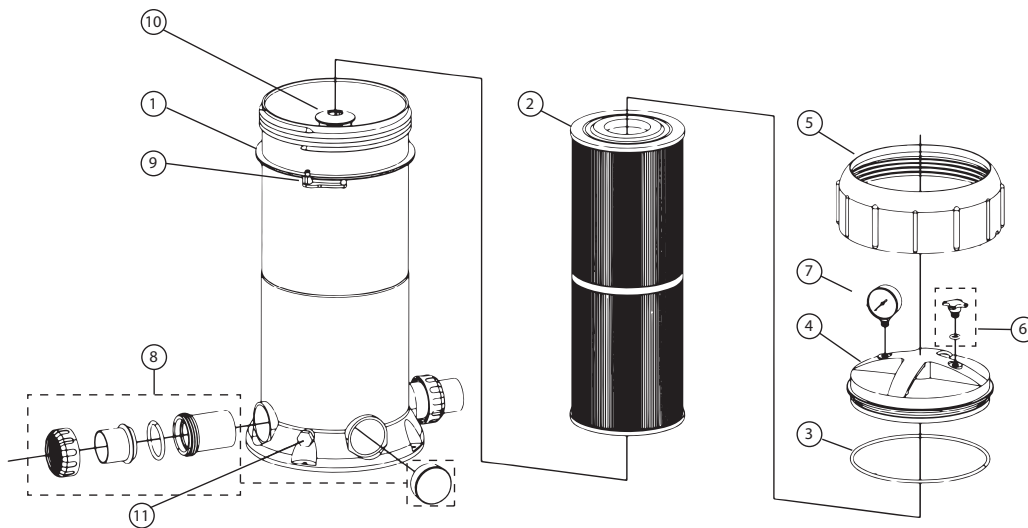
Item	Part No.	Description
7	800751	FFCF100 Element (prior to 2017)
7	800760	FFCF100 Element (2017 onwards)
7	800752	FFCF150 Element (prior to 2017)
7	800761	FFCF150 Element (2017 onwards)
7	800753	FFCF200 Element (prior to 2017)
7	800762	FFCF200 Element Kit(2017 onwards)
8		Cartridge filter body not available as spare part
9	800754	1.5" Union for Cartridge filters
11	800755	2.0" Union for Cartridge filters
12	800756	Plug
13	800757	Internal Pressure Relief Valve

PANTERA & PANTERA II CARTRIDGE FILTER

REPLACEMENT PARTS



Item	Part No.	Description
PANTERA CARTRIDGE FILTERS		
1	5131909	Air Release Valve
2	5310860	Tank Lid
3	5311400	O-Ring Tank Lid
4	5311450	Replacement Cartridge 50/60 sq.ft.
4	5311650	Replacement Cartridge 75 sq.ft. (for 150sq.ft. use 2)
4	5311750	Replacement Cartridge 100 sq.ft. (for 200sq.ft. use 2)
5	801490	Clamp (Replaces 5311250 and 5311209)
6	5166700	Pressure Gauge

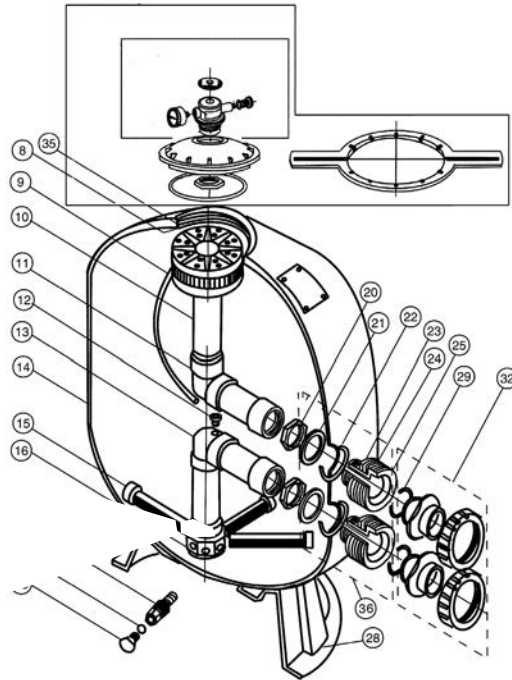


Item	Part No.	Description
PANTERA II CARTRIDGE FILTERS		
1	Not Avail.	Filter Body
2	PCFII-RC075	Filter Replacement Cartridge 75 sq.ft.
2	PCFII-RC100	Filter Replacement Cartridge 100 sq.ft.
2	PCFII-RC150	Filter Replacement Cartridge 150 sq.ft.
2	PCFII-RC200	Filter Replacement Cartridge 200 sq.ft.
3	100025	O-Ring Filter Tank Lid
4	93515	Lid Filter Tank
5	99191	Locking Ring

Item	Part No.	Description
6	97060	Air-Release Assembly
7	5166700	Pressure Gauge
8	93521	Barrel Union and Cap Pack
9	27055-1	Latch Kit (Includes 15,16 & 17)
10	99255	Pipe Stem 75/100 sq.ft.
10	99254	Pipe Stem 150/200 sq.ft.
11	97054-1	Drain Plug Assembly
NOT SHOWN		
	700163	Internal bypass kit

TRITON II SAND FILTER

ORIGINAL MODEL REPLACEMENT PARTS

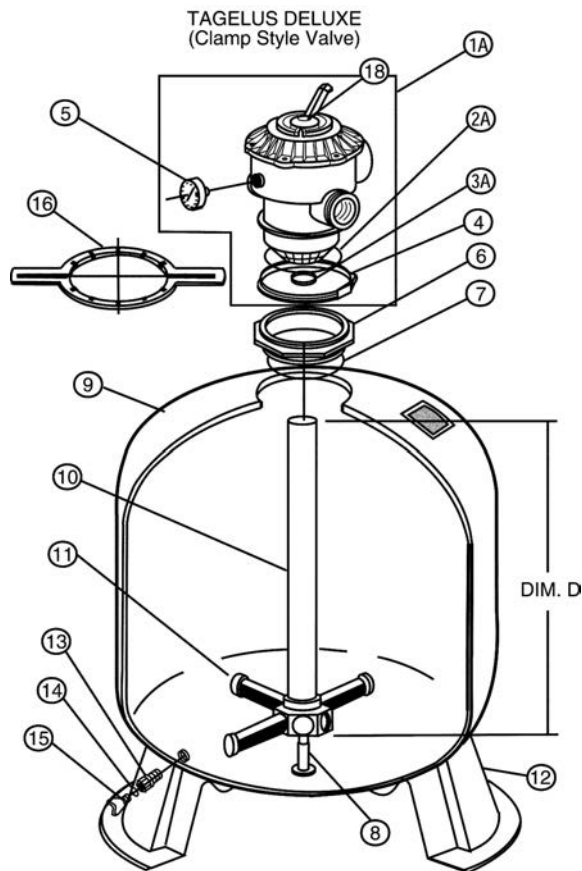


Item	Part No.	Description
TRITON II SAND FILTERS		
1	273564	Manual air relief body assembly
2	190059	Pressure guage
3	152509	Square ring 8-1/2 in.
4	154527	Wrench, 8-12 in. closure
5	154856	Kit closure 8-12 in. btr. thd. blk.
8	150035	Strainer air relief, 3/8 in.
9	150041	Tube air relief TR100
9	150042	Tube air relief TR140
10	154462	Diffuser assembly TR100
10	154906	Diffuser assembly TR140
11	154426	Piping assembly upper TR100
11	154500	Piping assembly upper TR140
12	150036	Connector air relief tube
13	154807	Piping assembly lower TR/PF100
13	154489	Piping assembly lower TR140
14	Not Avail.	Tank & ft. assembly
15	152202	Lateral, 9-1/8 in. L TR100, 8 req. ⁶
15	154540	Lateral, 12 in. L TR140, 8 req.
16	154453	Hub lateral TR100/140
17	Not Avail.	Spigot, 3/4 in. NPT sand drain ⁸
18	154481	Plug, 1/4 in. drain plug, black

19	151608	Aluminum wrench, 8-1/2 in.
36	154714	Bulk Head Kit 20-25
20	See Kit.	Locknut, 2 in. internal, 2 req.
21	See Kit.	Spacer, 2 in. internal, 2 req.
22	See Kit.	O-ring, 2 in. bulkhead, 2 req.
23	See Kit.	Spacer, 2 in. external, 2 req.
24	See Kit.	Gasket, 2 in. bulkhead, 2 req.
25	See Kit.	Bulkhead, 2 in., 2 req.
26	Not Avail.	O-ring drain plug ⁸
27		See Fitting Package (34)
28	154596	Foot, 24 in. dia., TR100/140
29	274494	O-ring valve adptr., 2 req.
32	271096-1	2 in. Slip adapter kit
33	273564	Kit closure, 8-1/2 in. btr. thread, black
35	154613	Spacer air vent strainer, 5-1/2 in., TR100
35	154614	Spacer air vent strainer, 5 in., TR140
NOT SHOWN		
	152220	Sand drain, 2 in. (used on TR100 and TR140) (Left-hand thread)
	274494	Sand drain O-ring TA100 (used on TR100 and TR140)
	154714	Bulk Head Kit (includes items 20-25)
	154578	Air-relief strainer
	261050	Multi-Port Hi Flo Valve (complete)

TAGELUS SAND FILTER

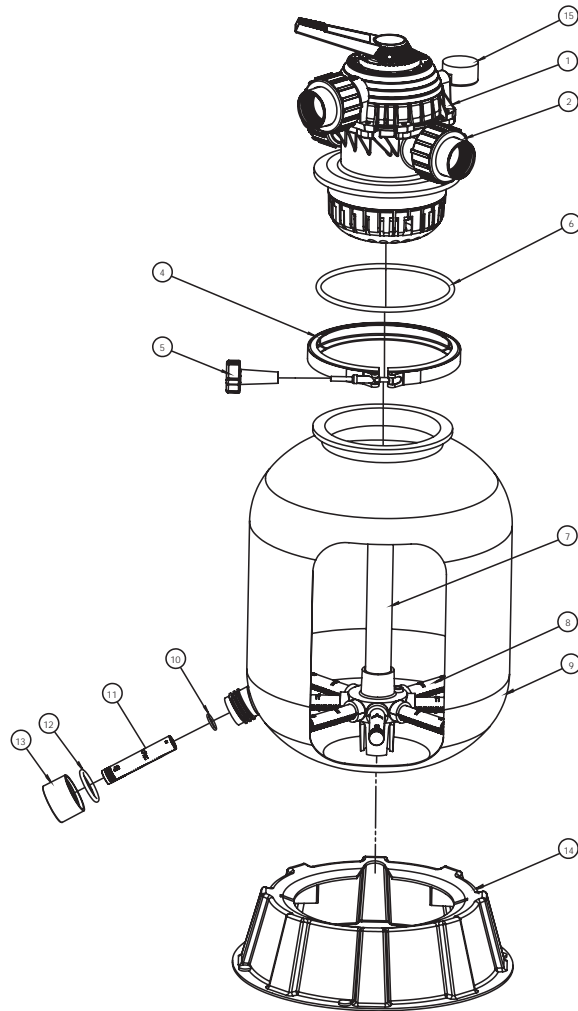
REPLACEMENT PARTS



Item	Part No.	Description
TAGELUS FILTERS WITH THD. & CLAMP VALVES		
1A	262506	Valve, 1-1/2 in. 6-way clamp style (TA50/60)
1A	261185	Valve, 2 in. 6-way clamp style (TA100)
1A	262525	Valve, 2 in. 6-way (TA60 2")
2A	272541	O-ring valve body (TA50/60)
2A	275333	O-ring valve body (TA100)
3A	35503-1243	O-ring standup (TA100)
4	152165	Clamp, 6-1/2 in. dia. SS, plastic (TA50/60)
4	152130	Clamp, 8.35 in. dia. (TA100)
5	190059	Gauge back mount pressure
6	152520	Adapter, 6 in. btr. thread. (TA50/60)
6	154521	Adapter, 8-1/2 in. btr. thread (TA100)
7	152516	O-ring valve adptr. (TA50/60)
7	355619	O-ring valve adptr. (TA100)
8	155002	Stabilizer, center pipe
9	Not Avail.	Tank & ft. assembly
10	155062	Piping assembly, w/hub (TA50)
10	155299	Piping assembly, w/hub (TA60)
10	152237	Piping assembly, w/hub (TA60 2")
10	155323	Piping assembly, w/hub (TA100)
11	152290	Lateral, 6-11/16 in. long, 8 req. (TA50)
11	152202	Lateral, 9-1/8 in. long, 8 req. (TA100)
11	150085	Lateral, 1/4 turn, 6 req. (TA60)
12	154926	Foot tank (TA50/TA60)
12	154596	Foot tank (TA100)
13	154698	Spigot, 3/4 in. NPT sand drain (TA50/60)
13	152220	Spigot, 2 in. NPT sand drain (TA100)
14	192115	O-ring drain plug (TA50/60)
14	154871	2 in. drain cap (1-1/2 in. threads) (TA100)
15	357161	Plug, 1/4 in. NPT drain
16	154512	Wrench, 6-1/2 in. across flats (TA50/60)
16	151608	Wrench, 9in. across flats (TA100)
18	272599	Label top mount valve
19	274494	Sand drain O-ring TA100
20	152220Z	Drain assy for TA100/TR100/TR140
NOT SHOWN		
	150119	Union Kit 1-1/2 in. Valve (TA50/60)
	354571	O-Ring 1-1/2" Union (TA50/60)
	200-903	Union 2 in. Valve (TA100) 3 req.

CRISTALFLO SAND FILTER

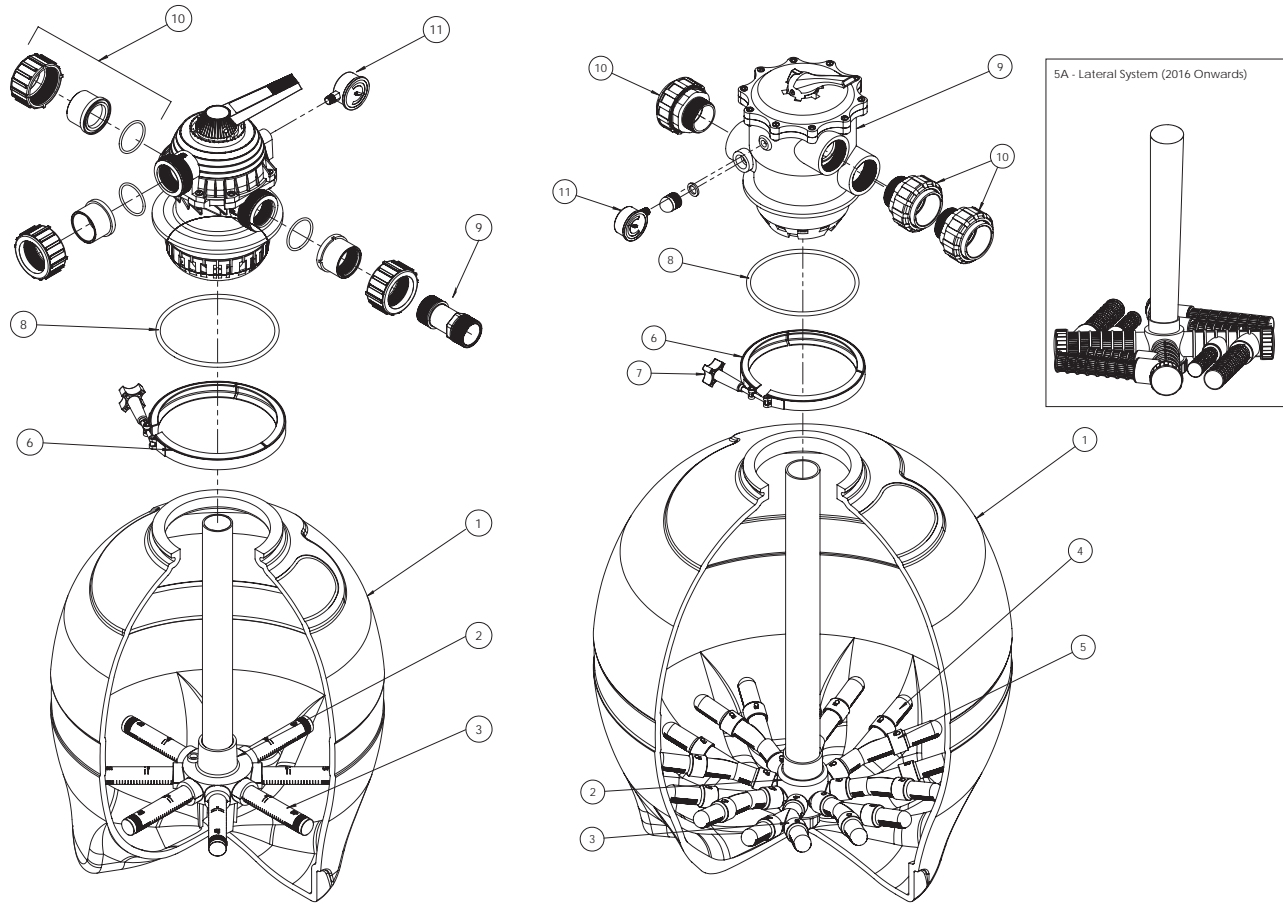
REPLACEMENT PARTS



Item	Description	CFII-TP150	CFII-TP170	CFII-TP200	CFII-TP240	CFII-TP300
CRISTALFLO HIGH-RATE SAND FILTERS						
1	Multi-Port Valve	SR14965-A003				SR14971-TM-22-L
2	Barrel Union Kit	14965-A033 (includes 3 pieces) U11-182PM (Union Nut) U11-183PM (Union Tail 40mm Slip) U11-201PM (Union Tail Threaded) U9-226 (O-Ring Union)				200-903
4	Clamp	24201-0103	24201-0103	24201-0103	24201-0103	24201-0103
5	Knob Clamp	WC36-22	WC36-22	WC36-22	WC36-22	WC36-22
6	O-Ring Tank Flange	702223	702223	702223	702223	702223
7	Stem Pipe & Hub	24201-0040 (Hub Only - Use 40mm PVC Pipe for Stem Pipe)				707632
8	Lateral (8 req.)	24600-0003	24600-0003	24600-0003	24700-0075	01172010 (185mm) 89012516 (bracket) 01172007 (115mm)
9	Tank Body	Not Available as Spare				
10	O-Ring Lateral	Not Used in Australia				
11	Drain Lateral	Not Used in Australia				
12	O-Ring Drain Cap	6247140	6247140	6247140	6247140	6247140
13	Drain Cap	14965-0025	14965-0025	14965-0025	14965-0025	14965-0025
14	Base	G-BASE-UN11B	G-BASE-UN11B	G-BASE-UN11B	G-BASE-UN11B	G-BASE-UN11B
15	Pressure Gauge	5166700	5166700	5166700	5166700	5166700

PANTERA SAND FILTER

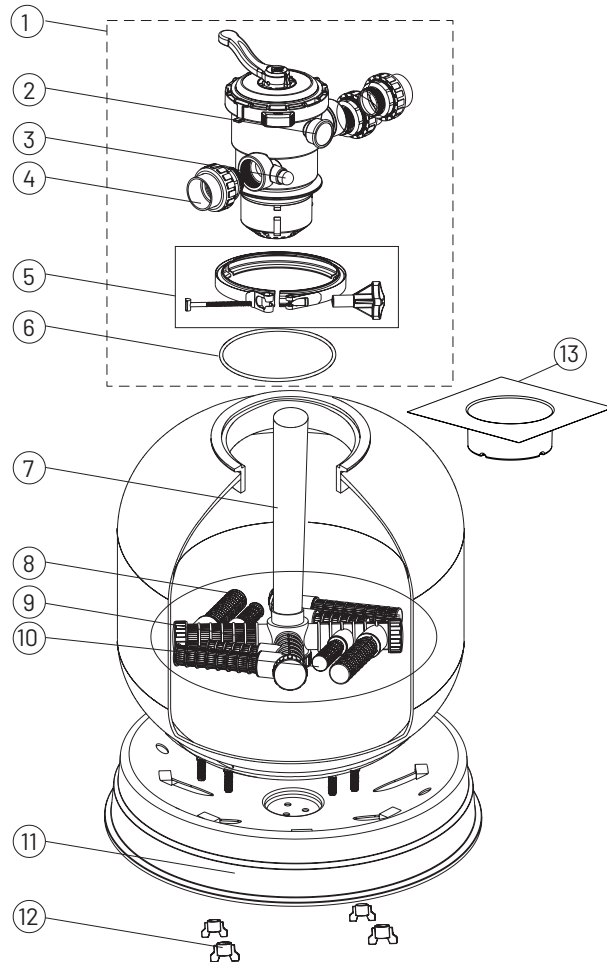
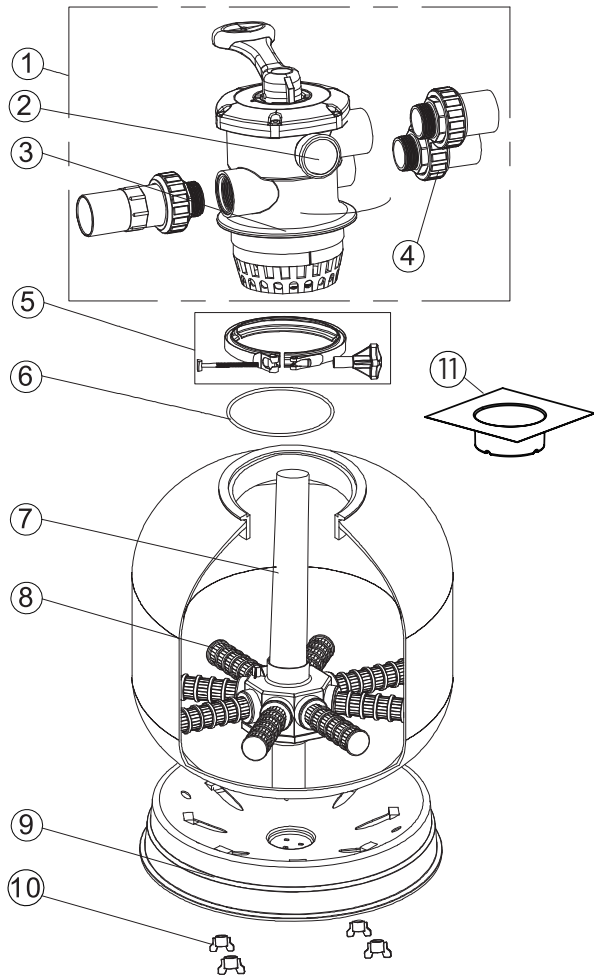
REPLACEMENT PARTS



Item	Description	P21	P25	P29	P33
PANTERA HIGH-RATE SAND FILTERS					
1	FILTER TANK ASSEMBLY	110550	110551	110552	110553
2	COLLECTOR HUB	24201-0040	24201-0040	5306700	5306700
3	LATERAL STEM	24700-0075	24700-0075	5306900 (pre 2016) 89012516 (2016 onwards)	5306800 (pre 2016) 89012516 (2016 onwards)
4	LATERAL BRANCH	-	-	5307000 (pre 2016) 01172010 & 01172007 (2016 onwards)	5307000 (pre 2016) 01172010 & 01172007 (2016 onwards)
5	LATERAL LOCKING PIN	-	-	5307200 (pre 2016)	5307200 (pre 2016)
	HUB, STANDPIPE & LATERAL KITS	40mm PVC 443mm	40mm PVC 550mm	707671	707672
6	CLAMP ASSEMBLY	24201-0103	24201-0103	24201-0103	24201-0103
7	HANDLE - CLAMP	See Clamp Assembly			
8	O-RING - TANK FLANGE	702223	702223	702223	702223
9	MULTI-PORT VALVE ASSEMBLY*	SR14965-A003	SR14965-A003	SR14971-TM-22-L	SR14971-TM-22-L
10	BARREL UNION	14965-A033 (includes 3 pieces + Sightglass) U9-226 (O-Ring Union)		200-903 (O-ring: 86006900)	
11	PRESSURE GAUGE	5166700	5166700	5166700	5166700
12	BAYONET WASHER (NOT SHOWN)	-	-	5307100	5307100
13	SAND LOADING DISK (NOT SHOWN)	24201-0063	24201-0063	24201-0063	24201-0063

LEISURETIME II SAND FILTER

REPLACEMENT PARTS

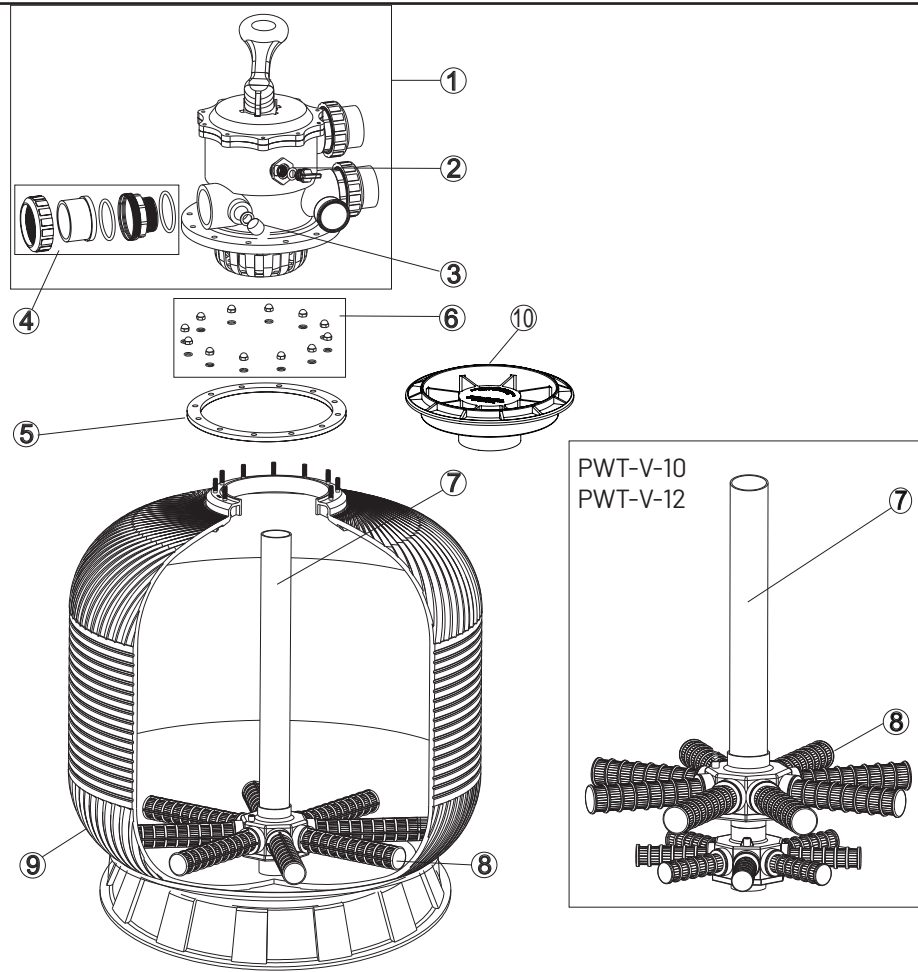


Item	Part No.	Description
LSFII-21-40 & LSFII-25-40		
1	800769	1.5" Clamp Type Multiport Valve (Bolt on lid)
2	89280705	Pressure gauge Assembly
3	89280104	Sight glass assembly
4	89280109	1.5" Union (3 Required)
5	89010126	Stainless Steel Clamp Assembly
6	02011134	O-Ring for Filter Neck
7	89010122	LSFII-21-40 Standpipe with hub
7	89010123	LSFII-25-40 Standpipe with hub
8	01172008	Laterals (126mm)(8 required)
9	01112074	LSFII-21-40/LSFII-25-40 Filter Base
10	01181052	Fastener for Filter Base (4 Required)
11	800243	Sand Loading Disk 40mm

Item	Part No.	Description
LSFII-25-50 & LSFII-28-50		
1	88281506F	2" Top Mount Valve
2	89280705	Pressure gauge Assembly
3	89280104	Sight glass assembly
4	89280110	2" Union (3 required)
5	89010126	Stainless Steel Clamp Assembly
6	02011134	O-Ring for Filter Neck
7	89010124	LSFII-25-50 Standpipe with Hub
7	89010125	LSFII-28-50 Standpipe with Hub
8	01172010	Laterals (185mm)(4 required)
9	89012516	Laterals bracket (4 required)
10	01172007	Laterals (115mm)(4 required)
11	01112074	LSFII-25-50/LSFII-28-50 Filter Base
12	01181052	Fastener for Filter Base (4 Required)
13	800244	Sand Loading Disk 50mm (FFSF-25-50)
13	800245	Sand Loading Disk 50mm (FFSF-28-50)

LSFII-32-50 & PWT-V SAND FILTERS

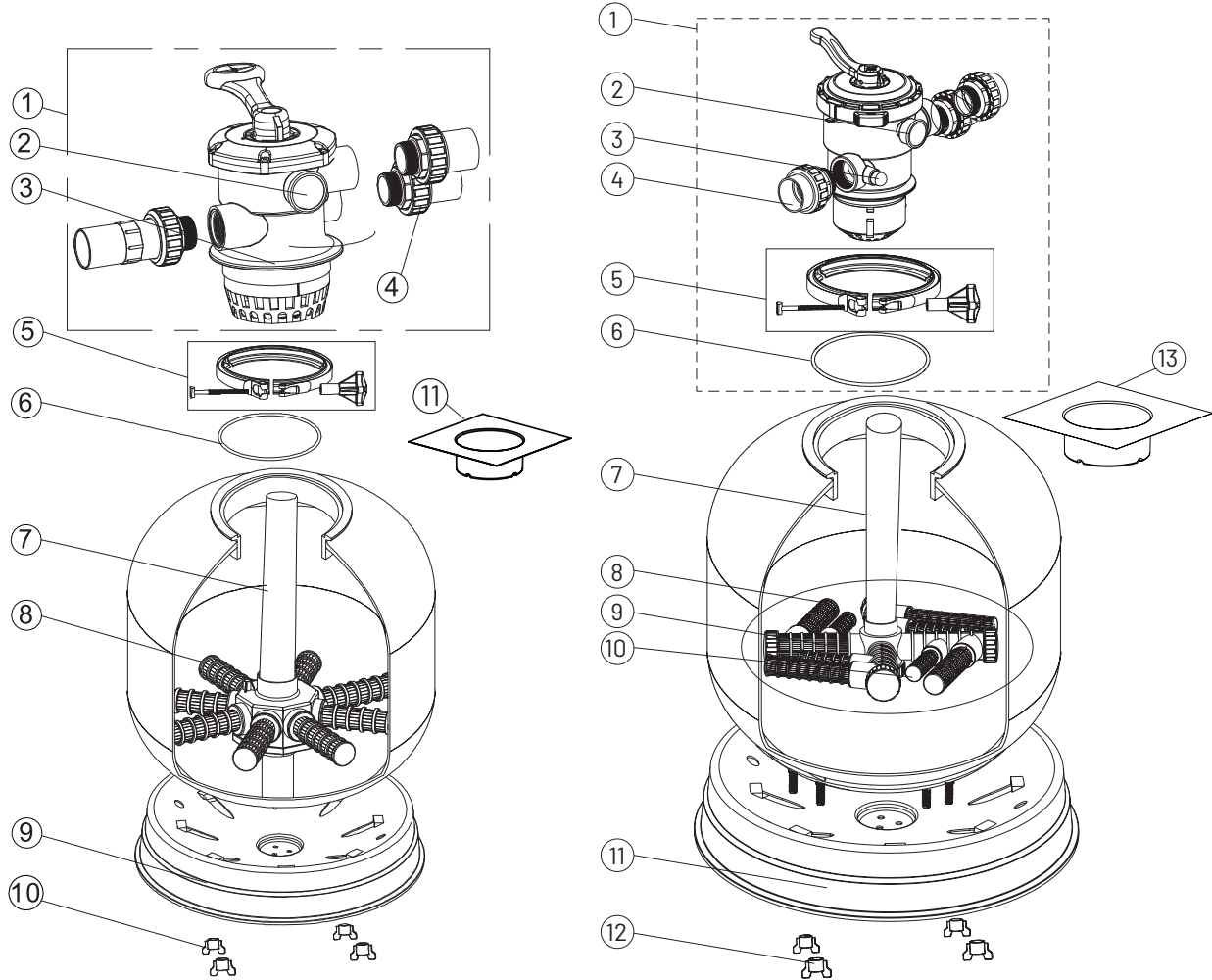
REPLACEMENT PARTS



Item	Description	Part No.			
		LSFII-32-50	PWT-V-09-20	PWT-V-10-25	PWT-V-12-25
1	2" Top Mount Valve	800740	800740	800076	800076
2	Pressure gauge Assembly	89280705	89280705	89280705	89280705
3	Sight glass assembly	89280104	89280104	89280104	89280104
4	Barrel Union (3 required)	89280110	89280110	800119	800119
5	Filter Neck Gasket	02011134	02011134	02011126	02011126
6	M8 Nut + M8 Washer (12 required)	89010601	89010601	89010601	89010601
7	Standpipe with Hub	89010607	89010608	89010609	89010610
8	Laterals (8 required)	01172011 x8 (233mm)	01172011 x8 (233mm)	01172007 x8 (115mm) 01172009 x8 (129mm) 01172010 x8 (185mm)	01172007 x8 (115mm) 01172009 x8 (129mm) 01172011 x8 (233mm)
9	Filter Tank with Base	800739	CALL	CALL	CALL
10	Sand Loading Disk		800245		
Not Shown					
-	Union kit 2.5" to 80mm (3 pieces)	800106	800106	800106	800106
-	O-ring Barrel Union	02020016	02020016	803418	803418

FREEFLO SAND FILTER

REPLACEMENT PARTS

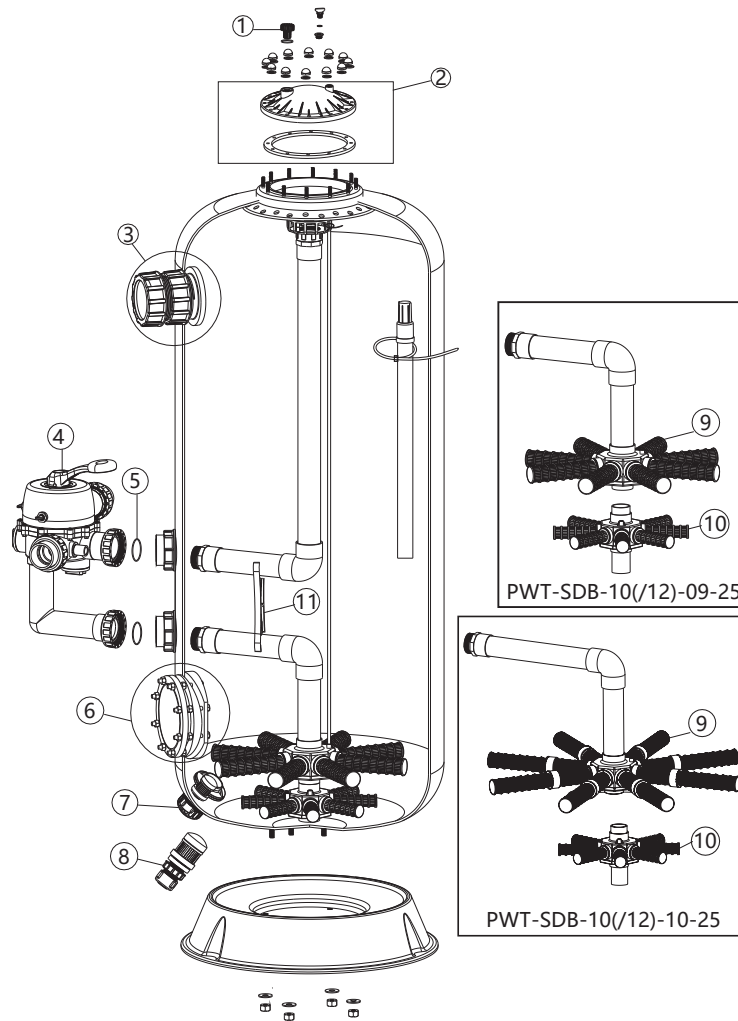


Item	Part No.	Description
FFSF-21-40 & FFSF-25-40		
1	800769	1.5" Clamp Type Multiport Valve (Bolt on lid)
2	89280705	Pressure gauge Assembly
3	89280104	Sight glass assembly
4	89280109	1.5" Union (3 Required)
5	89010126	Stainless Steel Clamp Assembly (Steel replacement in lieu of plastic original)
6	02011134	O-Ring for Filter Neck
7	89011606	FFSF-21-40 Standpipe with hub
7	89011606	FFSF-25-40 Standpipe with hub
8	01172008	Laterals (126mm)(8 required)
9	01112074	FFSF-21-40/FFSF-25-40 Filter Base
10	01181052	Fastener for Filter Base (4 Required)
11	800243	Sand Loading Disk 40mm
	02011001	O-Ring Diffuser

Item	Part No.	Description
FFSF-25-50 & FFSF-28-50		
1	88281506F	2" Top Mount Valve
2	89280705	Pressure gauge Assembly
3	89280104	Sight glass assembly
4	89280110	2" Union (3 required)
5	89010126	Stainless Steel Clamp Assembly (Steel replacement in lieu of plastic original)
6	02011134	O-Ring for Filter Neck
7	89010124	FFSF-25-50 Standpipe with Hub
7	89010125	FFSF-28-50 Standpipe with Hub
8	01172010	Laterals (185mm)(4 required)
9	89012516	Laterals bracket (4 required)
10	01172007	Laterals (115mm)(4 required)
11	01111062	FFSF-25-50/FFSF-28-50 Filter Base
12	01181052	Fastener for Filter Base (4 Required)
13	800244	Sand Loading Disk 50mm (FFSF-25-50)
13	800245	Sand Loading Disk 50mm (FFSF-28-50)
	02011005	O-Ring Diffuser

PWT-SDB SAND FILTER

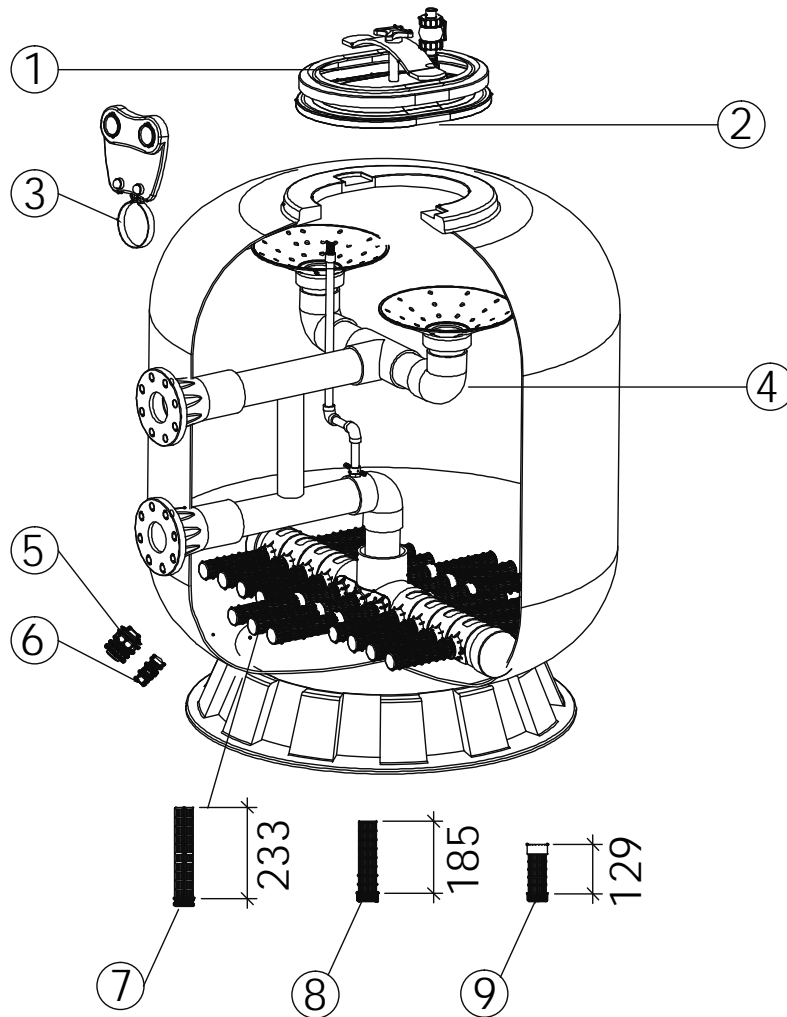
REPLACEMENT PARTS



Item	Description	Part No.				
		PWT-SDB-10-07-20				
		PWT-SDB-10-08-20	PWT-SDB-10-09-20	PWT-SDB-10-09-25	PWT-SDB-10-10-20	PWT-SDB-10-10-25
		PWT-SDB-12-07-20	PWT-SDB-12-09-20	PWT-SDB-12-09-25	PWT-SDB-12-10-20	PWT-SDB-12-10-25
		PWT-SDB-12-08-20				
1	Air-Relief Valve			800742		
2	Lid and Gasket Kit			800094		
3	Sight glass assembly			800189		
4	Multi-Port Valve	800188	800188	800071	800188	800071
5	O-Ring, Barrel Union	111202472	111202472	803418	111202472	803418
6	Man-Hole Kit			800183		
7	Sand-Drain Kit			89012807		
8	Water-Drain Kit			89010107		
9	Laterals, Top Layer	01172010x8 (185mm)	01172011x8 (233mm)	01172011x8 (233mm)	01172009x8 (129mm) 01172010x8 (185mm)	01172009x8 (129mm) 01172010x8 (185mm)
10	Laterals, Bottom Layer			01172007x8 (115mm)		

PWT-NL/E/K SAND FILTERS

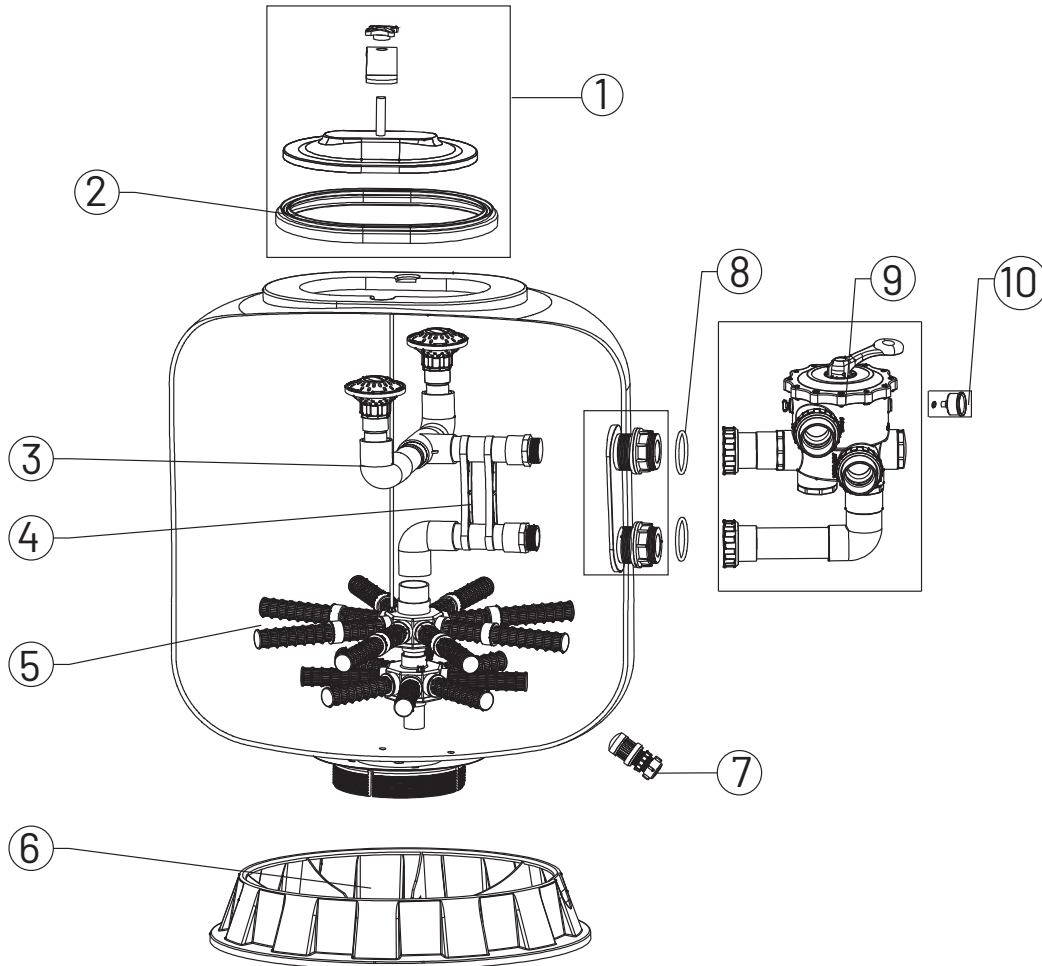
REPLACEMENT PARTS



Item	Description	Part No.				
		NL/E/K 1.2m	NL/E/K 1.4m	NL/E/K 1.6m	NL/E/K 1.8m	NL/E/K 2.0m
1	Closure Kit			800090		
2	Gasket, Lid			02100006		
3	Manometer	800136	800137	800137	800138	800138
4	Inner Tank Kit			CALL		
5	Water-Drain Kit			89010107		
6	Sand-Drain Kit	89012807	89012807	89012807	89012829	89012829
10	Laterals 233mm	01172011 x8	01172011 x12	01172011 x12	01172011 x28	01172011 x32
10	Laterals 185mm	01172010 x8	01172010 x4	01172010 x8	01172010 x4	01172010 x8
10	Laterals 129mm	01172009 x8	01172009 x12	01172009 x12	N/A	01172009 x8

PWT-S SAND FILTER

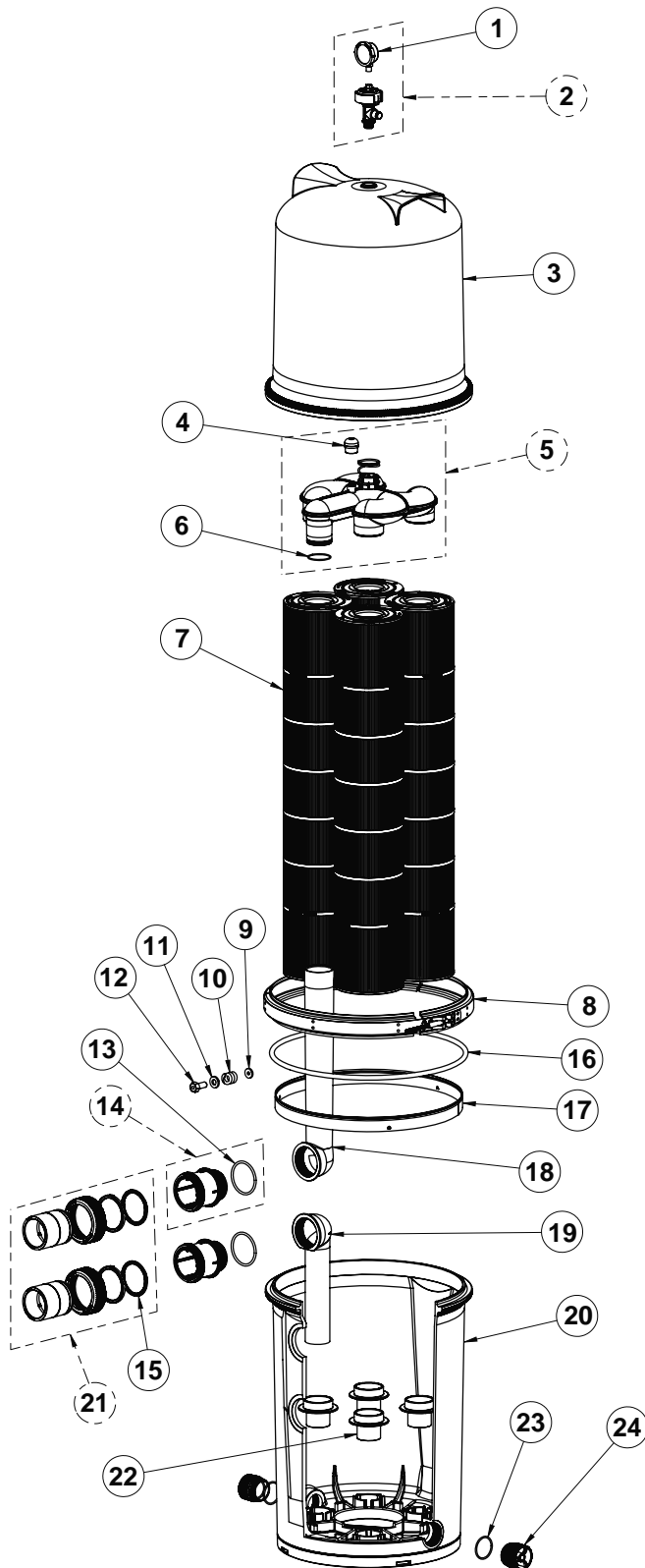
REPLACEMENT PARTS



Item	Description	Part No.	
		PWT-S-10-30	PWT-S-12-30
1	Closure Kit		800090
2	Gasket		02100006
3	Diffuser Kit	89011327	89011322
4	Laterals Stem Pipe	89011329	89011324
5	Laterals	01172010x8 01172009 x8	01172011 x8 01172009 x8
6	Base	CALL	CALL
7	Drain Kit		89010107
8	Flange Kit		89011326
9	Multi-Port Valve		PWT-MPV-30-6P
10	Pressure Gauge		89280705

FULLFLO XF CARTRIDGE FILTER

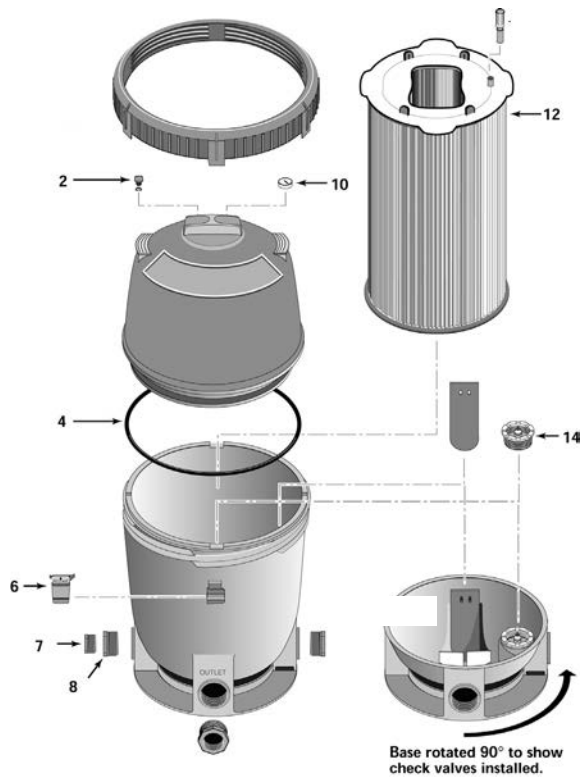
REPLACEMENT PARTS



Item	Part No.	Description
FULLFLO XF FILTERS		
1	190058	Pressure Gauge
2	98209800	Manual Air Relief Valve
3	178810	Tank Lid
4	190106z	Air Bleed Screen Cap
5	178838	Top Manifold Kit
6	192323	O-ring, Manifold
7	170102	Filter Cartridge
8	190003	Clamp Ring Assembly
9	195610	Clamp Washer, Small
10	195612	Clamp Spring
11	195611	Clamp Washer, Large
12	194997	Clamp Barrel Nut
13	R170055	O-ring, Bulkhead
14	178829	Bulkhead Kit
15	410016z	Diamond Seal Kit
16	39010200z	O-ring, Tank
17	195339	Backup Ring
18	178691z	Pipe Outlet
19	198249z	Pipe Inlet
20	178830	Tank Bottom (includes items 14, 17, 18, 19 and 24)
21	410020z	Union Kit
22	178697z	Support Pipe
23	273062	O-ring, Drain
24	178816	Drain Plug
NOT SHOWN		
	178840	Anchor Clamp Kit

SYSTEM:2 & 3 MODULAR D.E. FILTER

PLD SERIES REPLACEMENT PARTS



MODELS

PLD50 - DE
PLD70 - DE

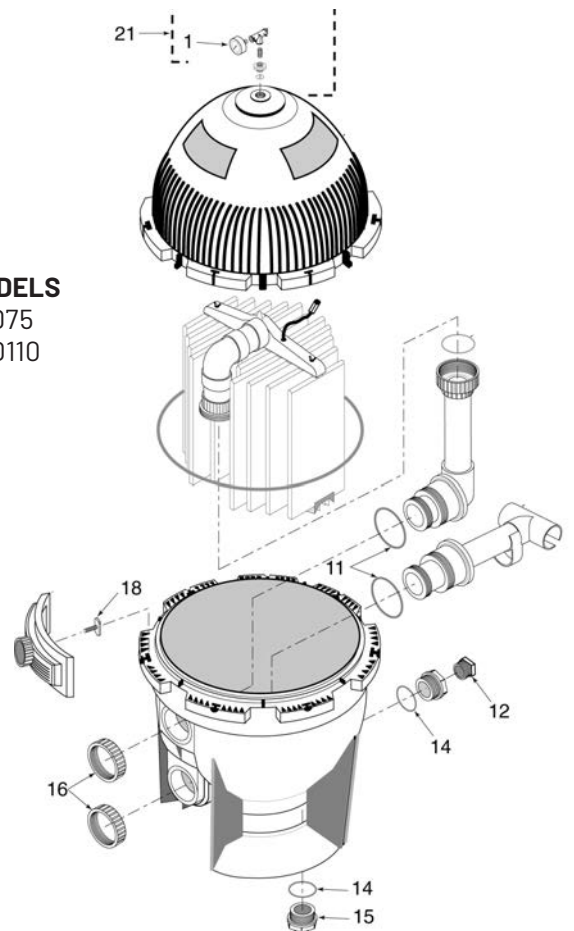
Item	Part No.	Description
SYSTEM:2 MODULAR D.E. FILTERS		
2	25010-0200	Air release valve assembly
4	27001-0061S	Cord-ring
6	27001-0051	Safety latch for ring
7A	27001-0022	1-1/2 in NPT plug with O'ring
10	190059	Pressure gauge
12	27002-0036S	Filter module, PLD70
14	27001-0130S	Spring check valve

Item	Part No.	Description
SYSTEM:3 D.E. FILTERS		
1	190059	2 in. Gauge
8	U9-362	O-Ring
9	23911-0102	Outlet Assembly
10	23911-0101	Inlet Assembly, S8D110
11	35505-1425	O-Ring
12	27001-0022	1-1/2 in. NPT Plug
14	35505-1424	O-Ring
15	24900-0503	Drain Plug
16	24752-0050	Bulkhead Retaining Nut
18	24850-0010	Clamp Bolt ¹
20	24850-0009	Cord Ring, S8D110
21	24850-0105	Valve & Gauge Assembly (Includes #1, 2, 3, 4 & 5)
Not Shown	18201-0200	Multi-Port Valve (Complete)

¹ Model S7D75 uses seven (7) clamps and bolts; Model S8D110 uses eight (8).

MODELS

S7D75
S8D110

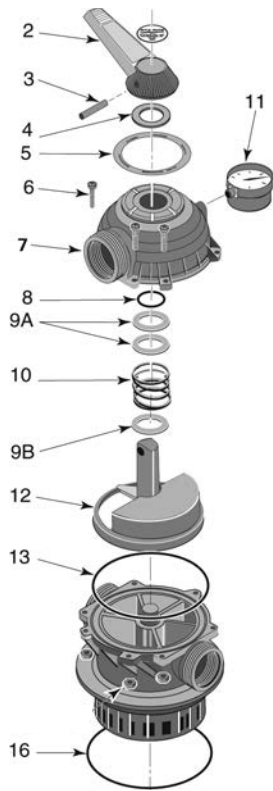


MULTIPOINT 1 1/2" VALVE (SR14965-A003)

REPLACEMENT PARTS FOR PANTERA AND CRISTALFLO MPV'S

USED ON MODELS:

- P221100
- P225100
- CFII-TP150-40
- CFII-TP170-40
- CFII-TP200-40
- CFII-TP240-40



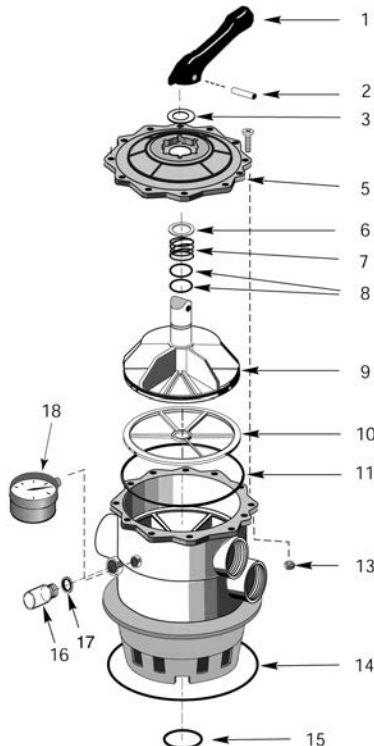
Item	Part No.	Description
MULTIPOINT 1-1/2 IN. VALVE		
1	800124	MPV Top Kit (includes parts 2-10, 12, 13)
2	See Top Kit	Handle
3	See Top Kit	Dowel Pin
4	See Top Kit	Washer
5	See Top Kit	Decal
6	See Top Kit	Screw
7	See Top Kit	Valve Cover
8	702259	O-Ring
9A	See Top Kit	Washer
9B	See Top Kit	Washer
10	See Top Kit	Spring
11	5166700	Gauge, Pressure
12	See Top Kit	Plug and Gasket Assembly
13	702206K	O-Ring, Cover
16	702223	O-Ring, Tank Flange
NOT SHOWN		
	24201-0103	Clamp Assembly

MULTIPOINT 2" VALVES (SR14971-TM-22-L)

REPLACEMENT PARTS FOR PANTERA AND CRISTALFLO MPV'S

USED ON MODELS:

- P229200
- P233200
- CFII-TP300-50



Item	Part No.	Description
MULTIPOINT 2 IN. VALVE		
1	14971-SM10E1	Handle (ABS)
2	271164	Pin (S.S. 304)
3	14971-SM10E3	Washer
5	14971-SM20E6	Valve Cover (ABS)
6	14971-SM10E8	Washer
7	14971-SM10E9	Spring (S.S. 304)
8	14971-SM10E10	O-Ring (Nitrile)
9	14971-SM20E11	Plug
10	14971-SM20E12	Gasket (Kratom)
11	14971-SM20E7	O-Ring, Cover
12	32155-4136	Lid Decal
13	14971-SM10E14	Nut, Hex (S.S. 304)
14	U9-369	O-Ring, Tank Flange
15	35505-1243	O-Ring, Stand Pipe
16	14971-SM10E17	Sight Glass
17	271106	Sight Glass Gasket
18	15060-0000T	Gauge, Pressure

MULTIPORT 1 1/2" VALVES (800769)

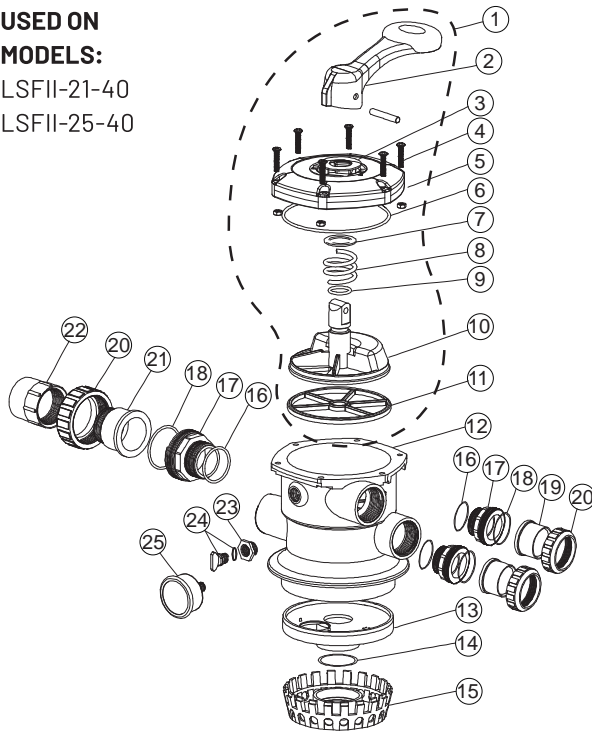
REPLACEMENT PARTS FOR LSF II-25-40 MPV'S (AFTER 2017)

USED ON

MODELS:

LSFII-21-40

LSFII-25-40



Item	Part No.	Description
MULTIPORT 1-1/2 IN. VALVE		
1	800772	Lid and Rotor Kit (Includes Items 1-11)
2		MPV Handle
3		Washer for Handle
4		M6 x 25 Screw with Nut for Camber Lid
5		Lid
6	800774	O-Ring for 1.5" Valve Lid
7		Washer for Spring
8		Spring for 1.5" Top Mount Valve
9		O-Ring for 1.5" Valve Rotor
10		Rotor
11	800775	Spider Gasket
12		1.5" Top Mount Valve Bottom Body Clamp (Black)
13		1.5" Diffuser
14		O-Ring for 1.5" Union
15		1.5" Top Mount Valve Over Drain Diffuser
16	02020013	O-Ring for Union
17		1.5" Connector (White)
18	02011003	O-Ring for 1.5" Union
19		1.5" Union (A) (White)
20	89280109	1.5" Union Kit (Includes 16, 17, 18, 19 & 20)
21	800776	1.5" Union Sight Glass (Inc 16, 17, 18, 20, 21, 22)
23		Connector for pressure gauge/ stopper; O-ring
24		Drain Plug with O-Ring
25	89280705	Oil Pressure Gauge Kit (Inc 23, 24 & 25)

MULTIPORT 1 1/2" VALVES (88281505F)

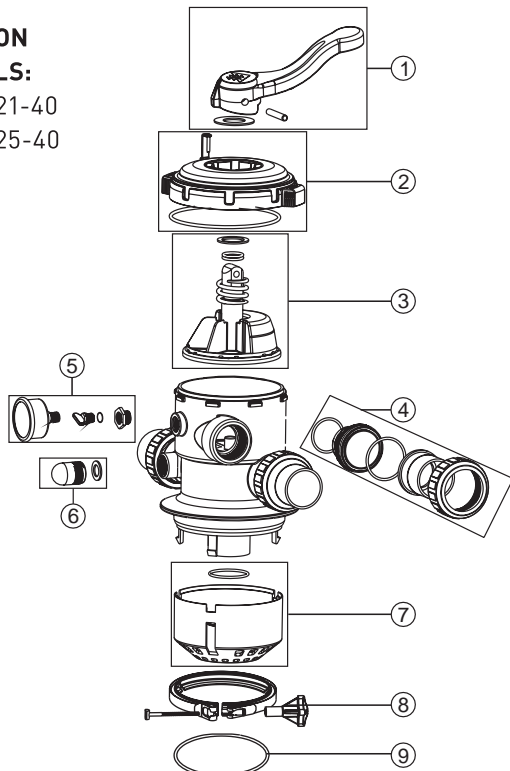
REPLACEMENT PARTS FOR LEISURETIME II MPV'S BEFORE 2017

USED ON

MODELS:

LSFII-21-40

LSFII-25-40

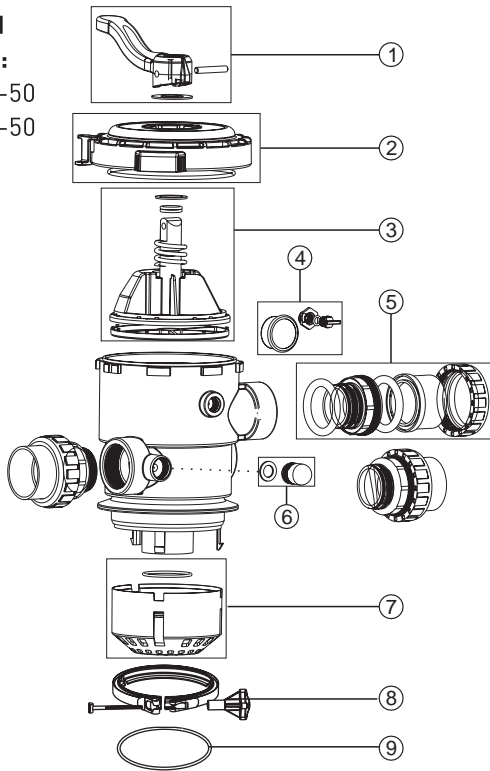


Item	Part No.	Description
MULTIPORT 1-1/2 IN. VALVE		
1	89280702	MPV Handle Assembly
2	89280703	Lid Assembly 1-1/2" MPV
3	89280704	Seal Rotor and Gasket Kit 1-1/2" MPV
4	89280109	1-1/2" UNION
5	89280705	Pressure gauge Assembly
6	89280104	Sight glass assembly
7	Not Available	Diffuser Assembly 1-1/2"
8	89010126	Stainless Steel Clamp Assembly
9	02011134	O-Ring for Filter Neck
NOT SHOWN		
	02010002	O-Ring Lid
	07022358	Decal Lid
	02011001	O-Ring Stem Pipe
	02020013	Union O-Ring
	02011003	Union O-Ring Thread

MULTIPOINT 2" VALVES (88281506F)

REPLACEMENT PARTS FOR LEISURETIME II MPV'S

USED ON MODELS:
LSFII-25-50
LSFII-28-50

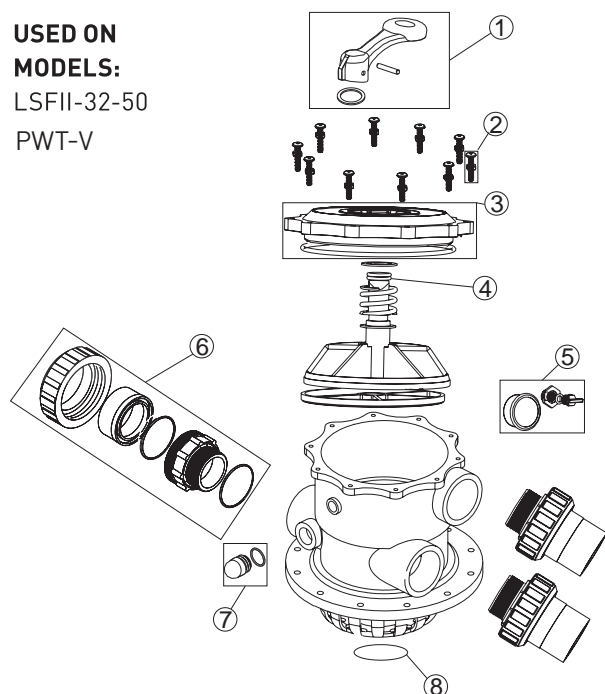


Item	Part No.	Description
MULTIPOINT 2 IN. VALVE		
1	89280702	MPV Handle Assembly
2	89280809	Lid Assembly 2" MPV
3	89280810	Seal Rotor and Gasket Kit 2" MPV
4	89280705	Pressure gauge Assembly
5	89280110	2" UNION
6	89280104	Sight glass assembly
7	89280811	Diffuser Assembly 2"
8	89010126	Stainless Steel Clamp Assembly
9	02011134	O-Ring for Filter Neck
NOT SHOWN		
	02010003	O-Ring Lid
	07022359	Decal Lid
	02011005	O-Ring Stem Pipe
	02020016	Union O-Ring

MULTIPOINT VALVES (2" 800740 & 2.5" 800076)

REPLACEMENT PARTS FOR LEISURETIME II & PWT-V MPV'S

USED ON MODELS:
LSFII-32-50
PWT-V



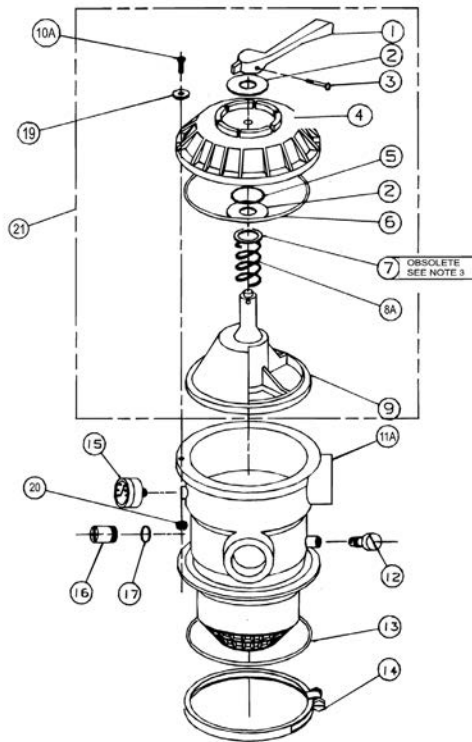
Item	Part No.	Description
MULTIPOINT 2 IN. VALVE		
1	89280707	MPV Handle Assembly 2"
1	800185	MPV Handle Assembly 2.5"
2	89280301	M6*32 Screw with Nut
3	89280816	Lid Assembly 2" MPV
3	800186	Lid Assembly 2.5" MPV
4	89280817	Rotor and Gasket Kit 2" MPV
4	800187	Rotor and Gasket Kit 2.5" MPV
5	89280705	Pressure gauge Assembly
6	89280110	2" Union
6	800119	2.5" Union
6	800106	2.5" - 3" Union Kit (x3)
7	89280813	Sight glass assembly
8	02011005	Diffuser Assembly 2"

MULTIPOINT 1 1/2" VALVES (262506)

REPLACEMENT PARTS FOR TAGELUS MPV'S

USED ON MODELS:

TA50
TA60



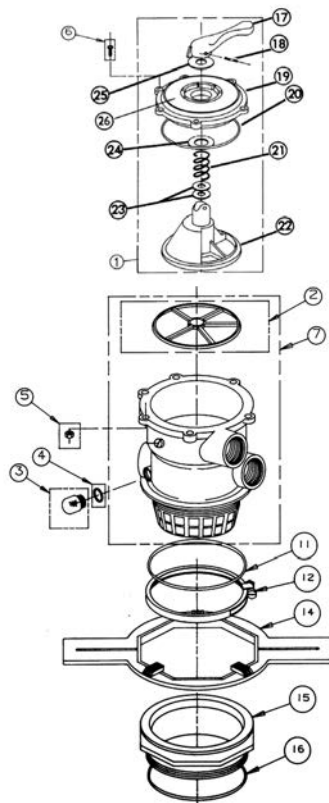
Item No.	Part No.	Description
6-WAY HIFLOW MULTIPOINT VALVES		
1	272520	Handle
3	See Kit.	Screw - handle
4	272599	Six-way valve label
6	354053	O-ring - valve top
9	See Kit.	Diverter w/gasket
10	354541	Screw #10-24 hex pan head, 6 req. ⁴
12	273512	Air bleeder with O ring ²
13	272541	O-ring - 3/16 in. x 4-5/8 in. i.d.
14	152165	Clamp
15	190059	Pressure gauge
16	272550	Sight glass w/vacuum projector ¹
17	271106	Gasket - sight glass ¹
21	272531	HiFlow 1-1/2 in. top valve assembly. (Includes parts 1-9)

MULTIPOINT 2" VALVES (261185)

REPLACEMENT PARTS FOR TAGELUS MPV'S

USED ON MODELS:

TA100

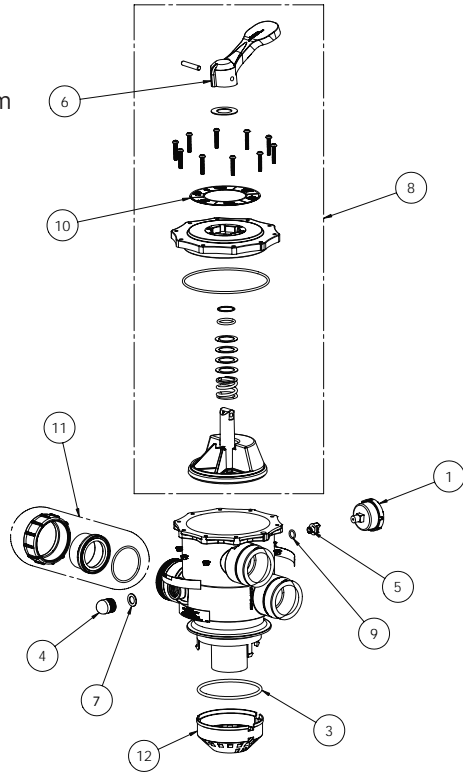


Item	Part No.	Description
TM/SM HIFLOW MULTIPOINT VALVES		
1	270067	Top valve assy. 2 in.
2	271148	Gasket - diverter, 2 in.
3	272550	Sight glass
4	271106	Gasket - sight glass
11	275333	O-ring - valve, 2 in.
12	152130	Band assy. - valve, 2 in.
14	151608	Wrench - adapter flange
15	154521	Adapter - flange buttress thread, 2 in.
16	355619	O-ring - adapter, 2 in.
17	271156	Handle
18	271164	Pin, handle
19	See Kit.	Top valve cover, blk, 2 in.
20	271151	O-ring, valve top, 2 in.
22	See Kit.	Valve diffuser, 2 in.
26	273211	Label 2 in. Sand (261185)

MULTIPORT 2" VALVES (262525)

REPLACEMENT PARTS FOR TAGELUS MPV'S

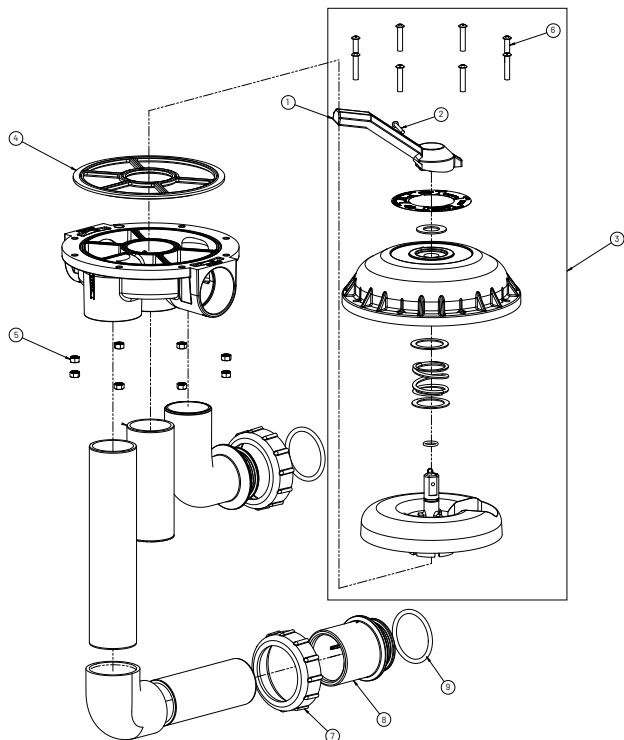
**USED ON
MODELS:**
TA60 2"/50mm



Item	Part No.	Description
6-WAY HIFLOW MULTIPOST VALVES		
1	190059Z	Pressure Gauge
3	272541	Valve Body O-Ring
4	272556Z	Sight Glass
5	272557Z	Drain Plug
6	272558Z	Handle
7	272567Z	Sight Glass Gasket
8	272568Z	Valve Top Assembly
9	272573Z	Drain Plug O-Ring
10	272576Z	Valve Position Label
11	801245K	Barrel Union
12	274402Z	Diffuser

MULTIPOST 2" VALVES (261050)

REPLACEMENT PARTS FOR TRITON MPV'S



Item	Part No.	Description
TM/SM HIFLOW MULTIPOST VALVES		
1	272520	Handle
2	272405	Screw - Handle
3	272422	Valve Top Assembly
4	272409	Seal - Diverter
5	98211400	Nut 1/4 in - 20 Hex, 8 required
6	272403	Screw 1/4 in - 20, 8 required
7	274407	Nut - Bulkhead Adapter
8	274426	Adapter - Union Kit
9	274494	O-ring - Bulkhead Adapter, 2 required
not shown	154566	Sight Glass 2 in. Clear



PENTAIR
POOL

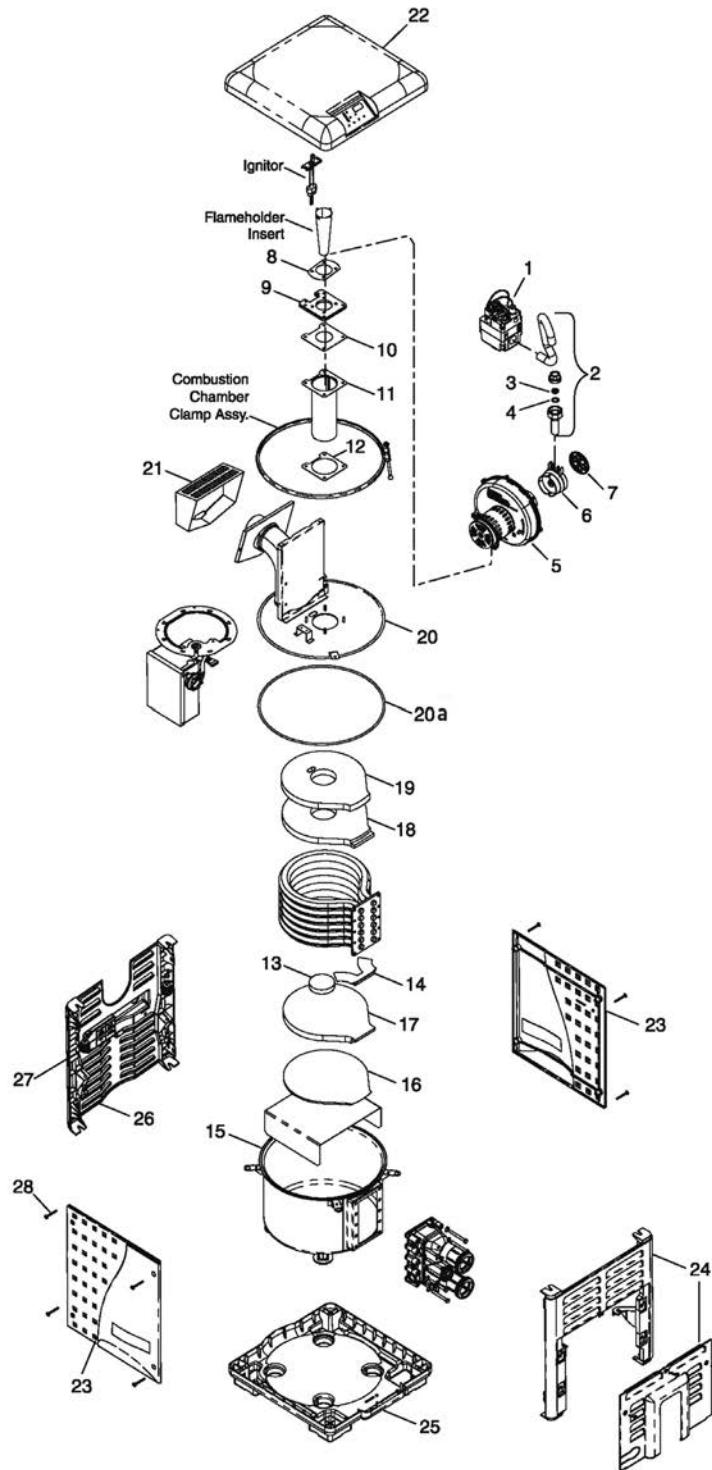


REPLACEMENT PARTS

POOL HEATING

MASTERTEMP HEATER

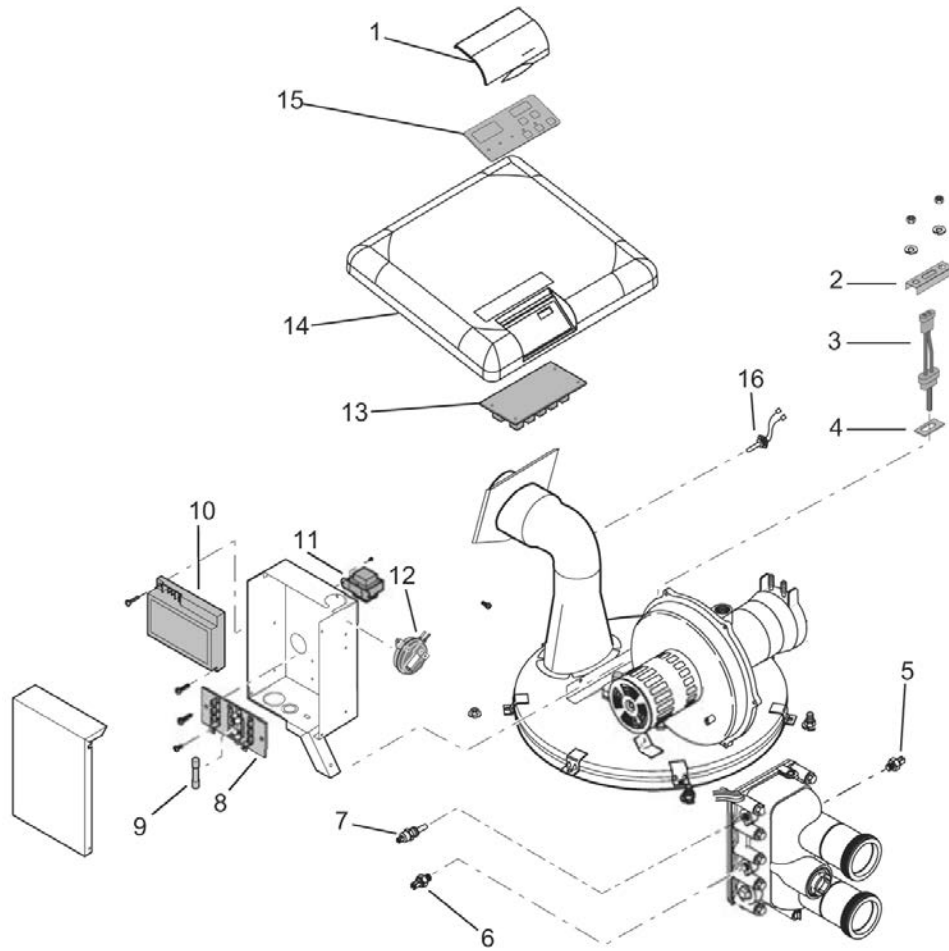
BURNER SYSTEM REPLACEMENT PARTS



Item	Part No.	Description
BURNER SYSTEM		
1	474133Z	Combination Gas Control Valve Kit
2	38404-4097S	3/4" Union
3 & 4	474145	Gas Orifice/Conversion Kit - NG, Model 200 (Incl. 3 and 4)
3 & 4	474144	Gas Orifice/Conversion Kit - NG, Model 300 (Incl. 3 and 4)
3 & 4	474143	Gas Orifice/Conversion Kit - NG, Model 400 (Incl. 3 and 4)
3 & 4	474142	Gas Orifice/Conversion Kit - LPG, Model 200 (Incl. 3 and 4)
3 & 4	474141	Gas Orifice/Conversion Kit - LPG, Model 300 (Incl. 3 and 4)
3 & 4	474140	Gas Orifice/Conversion Kit - LPG, Model 400 (Incl. 3 and 4)
5	474104Z	Air Blower 50Hz
6	474107Z	Air Orifice - Model 200
6	474106Z	Air Orifice - Model 300
6	474105Z	Air Orifice - Model 400
7	42001-0114S	Air Orifice Grill
8	77707-0011	Blower/Adaptor Plate Gasket Kit (Incl. 8, 9, 10, 12)
9	See 8.	Adaptor Plate
10	See 8 or 11	Flame Holder/Adaptor Plate Gasket
11	77707-0202	Flameholder Kit - Model 200 (Incl. 10, 11, 12 & 13)
11	77707-0203	Flameholder Kit - Model 300 (Incl. 10, 11, 12 & 13)
11	77707-0204	Flameholder Kit - Model 400 (Incl. 10, 11, 12 & 13)
12	See 8 or 11	Flame Holder/Combustion Chamber Gasket
13	See 11 or 16	Flame Holder Insulation Cap
14	See 16	Condensate Evaporator Plate
15	474957	Combustion Chamber Ass'y (9 BOLT DESIGN)
15	42001-0200S	Combustion Chamber Ass'y (CLAMP DESIGN)
16	77707-0008	Insulation Kit (Incl. 13, 14, 16, 17, 18, 19)
17	See 16	Bottom Insulation
18	See 16	Top Insulation
19	See 16	Top Outer Insulation
20	474958	Elbow/Combustion Cover Ass'y (9 BOLT DESIGN)
20a	474952	Tub O-Ring (9 BOLT DESIGN)
20a	474201	Tub O-Ring (CLAMP DESIGN)
21	474172Z	Metal Vent Cover
22	42002-0034Z	Heater Top
23	42002-0039Z	Side Panel (Service Panel) with 4 clips & 4 screws
24	42002-0033Z	Side Panel (Manifold)
25	42002-0031Z	Heater Bottom
26	42002-0032Z	Side Panel (Flue Stack)
27	42002-0041	J Box Cover
28	474292	Fasteners Kit (8x Screws, 8x Clips)
NOT SHOWN		
	474125Z	KIT ORF. GAS 200HD LP +5%
	474122Z	KIT ORF. GAS 300HD LP +5%
	474124Z	KIT ORF. GAS 300MJ LO -5% EN
	474119Z	KIT ORF. GAS 400HD LJ +5%
	474121Z	KIT ORF. GAS 400MJ LL -5%
	474112Z	KIT ORF. GAS 400MJ NC -5%
	474116Z	KIT ORIFICE GAS 200MJ NG +5%
	474118Z	KIT ORIFICE GAS 200MJ NI -5%
	474113Z	KIT ORIFICE GAS 300MJ ND +5%
	474115Z	KIT ORIFICE GAS 300MJ NF -5%
	474110Z	KIT ORIFICE GAS 400MJ NA +5%

MASTERTEMP HEATER

ELECTRICAL SYSTEM REPLACEMENT PARTS

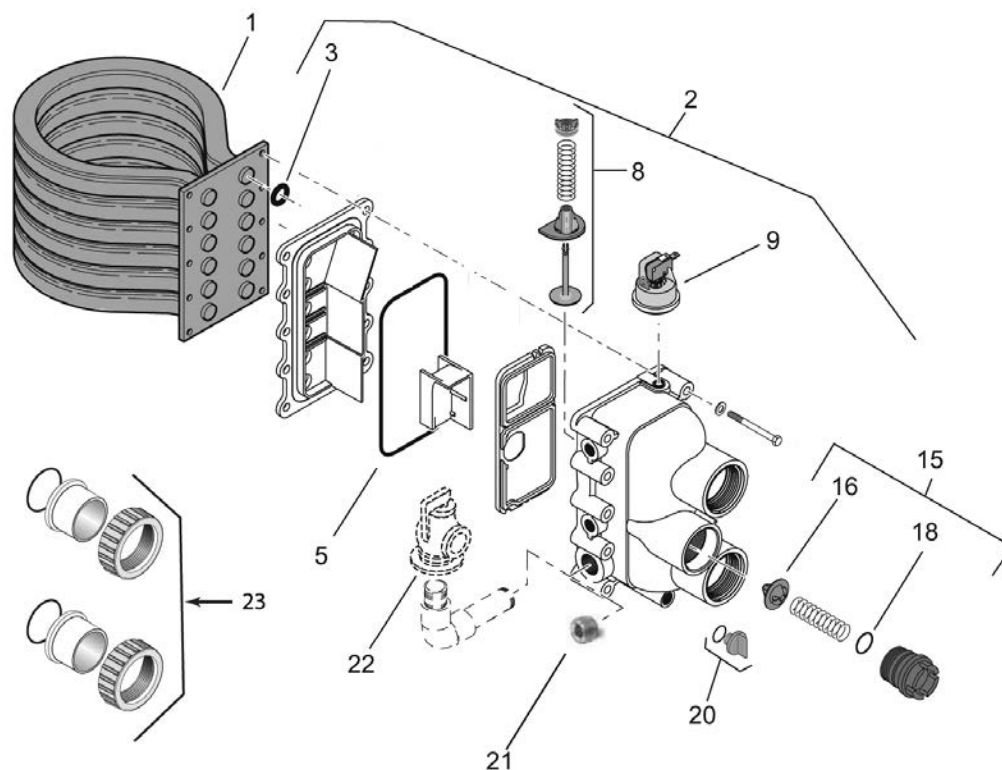


Item	Part No.	Description
ELECTRICAL SYSTEM		
1	42002-0035	Heater Display Cover
2	42001-0030S	Igniter Bracket
3	77707-0054	Igniter/Igniter Gasket Kit, Incl. Item Nos. 3 and 4)
4	42001-0066S	Igniter Gasket
5	42002-0025S	Automatic Gas Shutoff Switch (AGS)
6	474171Z	High Limit Switch
7	42001-0053S	Thermistor
8	42001-0056S	Terminal Board
9	32850-0099	Fireman's Switch Fuse (1.25A, 1-1/4 in.)
10	474103Z	Ignition Control Module (pre 2021)
10	476224	Ignition Control Module with Flame Sense (2021 onwards)
11	42001-0107S	Transformer, 115/230V
12	42001-0061S	Air Flow Switch
13	461105	Control Board & Membrane Pad Kit (Backwards compatible with all heaters)
14	42002-0034Z	Heater, Top

Item	Part No.	Description
15	472610Z	Membrane Pad (pre 2021)
15	461106	Membrane Pad (2021 onwards)
16	42002-0024S	Stack Flue Sensor
NOT SHOWN		
	474163Z	Heater Wiring Harness (pre 2021)
	461108	Heater Wiring Harness (2021 onwards)
	475147Z	45 Degree Inlet High Limit Switch
	802010	Ext High Limit Kit

MASTERTEMP HEATER

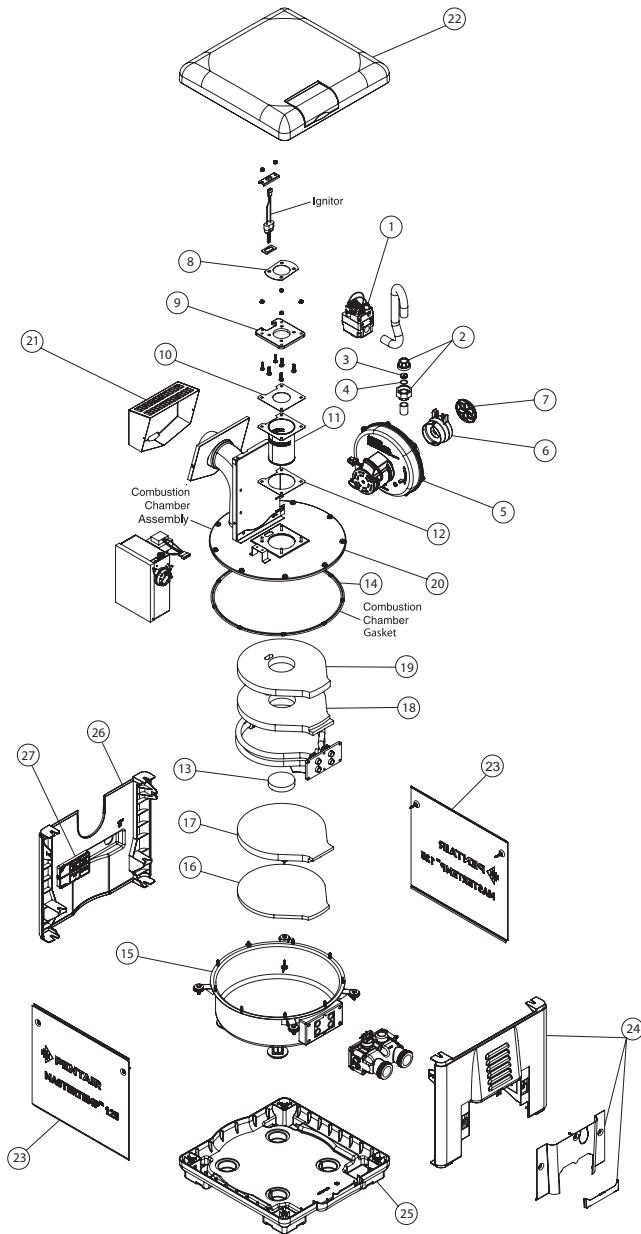
WATER SYSTEM REPLACEMENT PARTS



Item	Part No.	Description
WATER SYSTEM		
1	77707-0242	TUBESHEET/COIL KIT, Cu-Ni 200HD Includes kaowool, ignitor, blower gasket
1	77707-0243	TUBESHEET/COIL KIT, Cu-Ni 300HD Includes kaowool, ignitor, blower gasket
1	77707-0244	TUBESHEET/COIL KIT, Cu-Ni 400HD Includes kaowool, ignitor, blower gasket
2	474391	Manifold Kit (Includes Item Nos. 3-14, 21, and Item Nos. 5-7 in "Electrical System" Models 200NA, 200LP
2	474392	Manifold Kit (Includes Item Nos. 3-14, 21, and Item Nos. 5-7 in "Electrical System" Models 300NA, 300LP
2	475267	Manifold Kit (Includes Item Nos. 3-14, 21, and Item Nos. 5-7 in "Electrical System" Models 400NA, 400LP
3	See Kit.	Coil Tubesheet Sealing O-Ring Kit
5	See Kit.	Coil Tubesheet Sealing O-Ring Kit
8	77707-0001	Internal Bypass Kit
9	42001-0060S	Water Pressure Switch
15	77707-0010	Thermal Regulator Kit (Incl. Item Nos.16, 17, 18, 19 and Spring Clip)
18	U9-371	Thermal Regulator Cap O-Ring
20	U178-920P	Drain Plug
21	460925	Pressure Relief Valve with Connections
23	801245	Barrel Union Kit (50mm PVC Slip)(Includes 2)
	702192	Union O-Ring
NOT SHOWN		
	77707-0120	O-Ring Kit (Incl. Item Nos. 3, 5)

MASTERTEMP 125 SPA HEATER

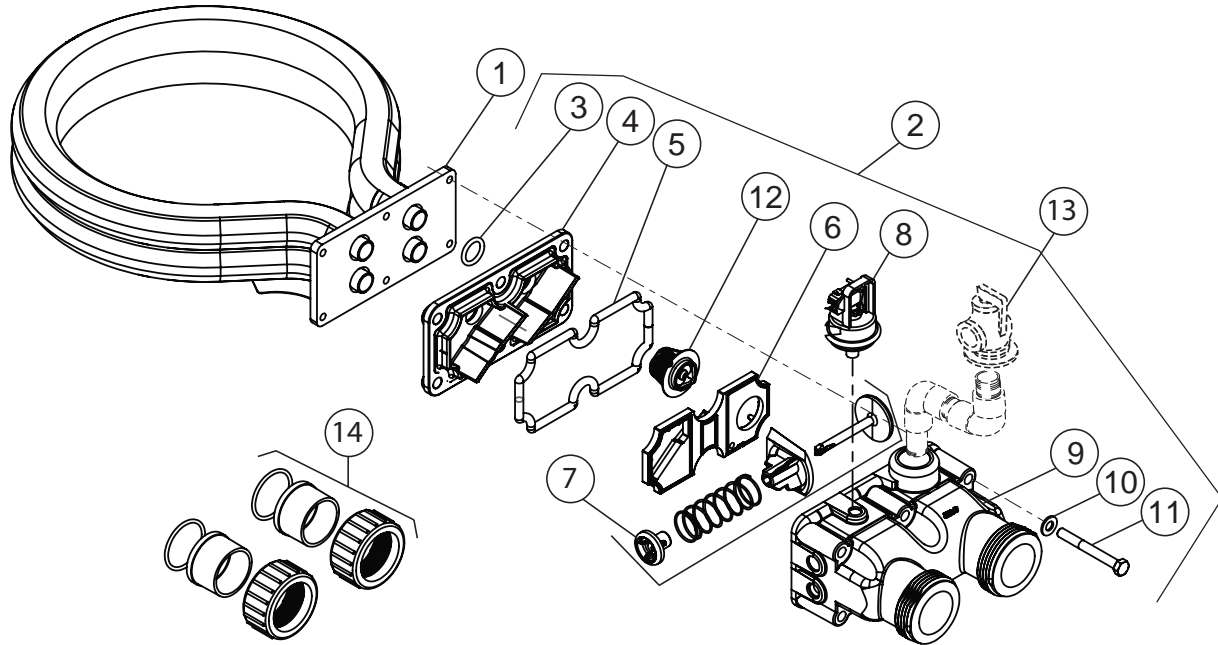
BURNER SYSTEM REPLACEMENT PARTS



Item	Part No.	Description
ELECTRICAL SYSTEM		
1	474133Z	Combination Gas Control Valve Kit
2	38404-4097S	3/4" Union
3,4	475134	Gas Orifice/Conversion Kit - NG (Incl. 3 and 4)
3,4	475133	Gas Orifice/Conversion Kit - LPG (Incl. 3 and 4)
5	474104Z	Air Blower
6	475138	Air Orifice Kit (Includes 6 and 7)
8	77707-0011	Blower/Adapter Plate Gasket Kit (Includes 8, 9, 10 & 12)
10	474994	Flameholder Kit (Includes 10, 11, 12 & 13)
14	474952	Combustion Chamber Gasket
15	474990	One Piece Metal Chamber/Combustion Chamber Assembly (9-bolt)
16	77707-0008	Insulation Kit (Includes 13, 14, 16, 17, 18 & 19)
20	474958	One Piece Metal Elbow/Combustion Chamber Cover Assembly (9-bolt)
21	42002-0005S	Metal Vent Cover
22	42002-0034Z	Heater Top
23	474991	Side Panel {Service Panel}
24	474992	Side Panel {Manifold}
25	42002-0031Z	Heater Bottom
26	474993	Side Panel {Flue Stack}
27	42002-0041Z	J-Box Cover
28	474292	Screws/Clips Kit, Panel (8 ea. clips & 8 ea. screws)

MASTERTEMP 125 SPA HEATER

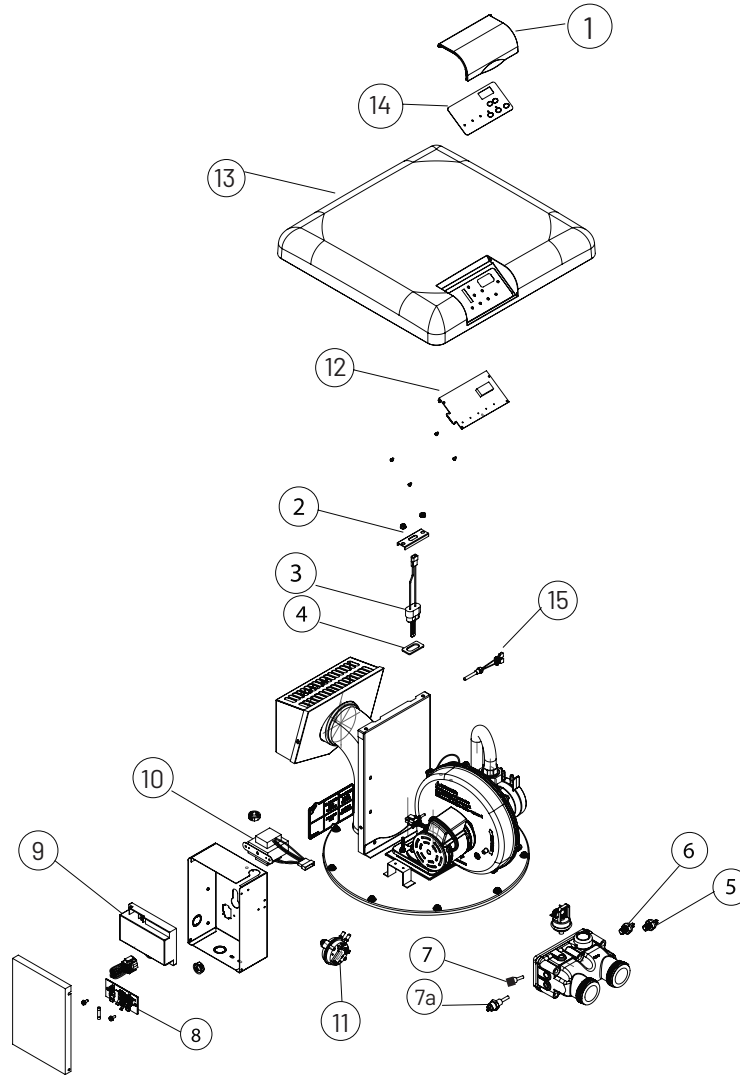
WATER SYSTEM REPLACEMENT PARTS



Item	Part No.	Description
WATER SYSTEM		
1	475180	Tube Sheet Coil Assembly Kit (Also includes #3) Includes
2	475148	Manifold Kit (Includes Items 3, 4, 5, 6, 7, 8, 9, 10, 11)
3	474973	Coil/Tubesheet Sealing O-Ring Kit
4		Manifold Bottom Plate
5		Manifold O-Ring
6	See manifold kit.	Manifold Baffle Plate
7		Manifold Bypass Valve
8	42001-0060S	Water Pressure Switch
9		Manifold
10		5/16" Washer S.S.
11		5/16 x 18 x 2-3/4" Hex Cap Screw
12	474989	Thermal Regulator
13	473715z	Pressure Relief Valve
14	474974	Union Kit
15	354571	Union O-Ring
NOT SHOWN		
	802011	Ext High Limit Kit

MASTERTEMP 125 SPA HEATER

ELECTRICAL SYSTEM REPLACEMENT PARTS

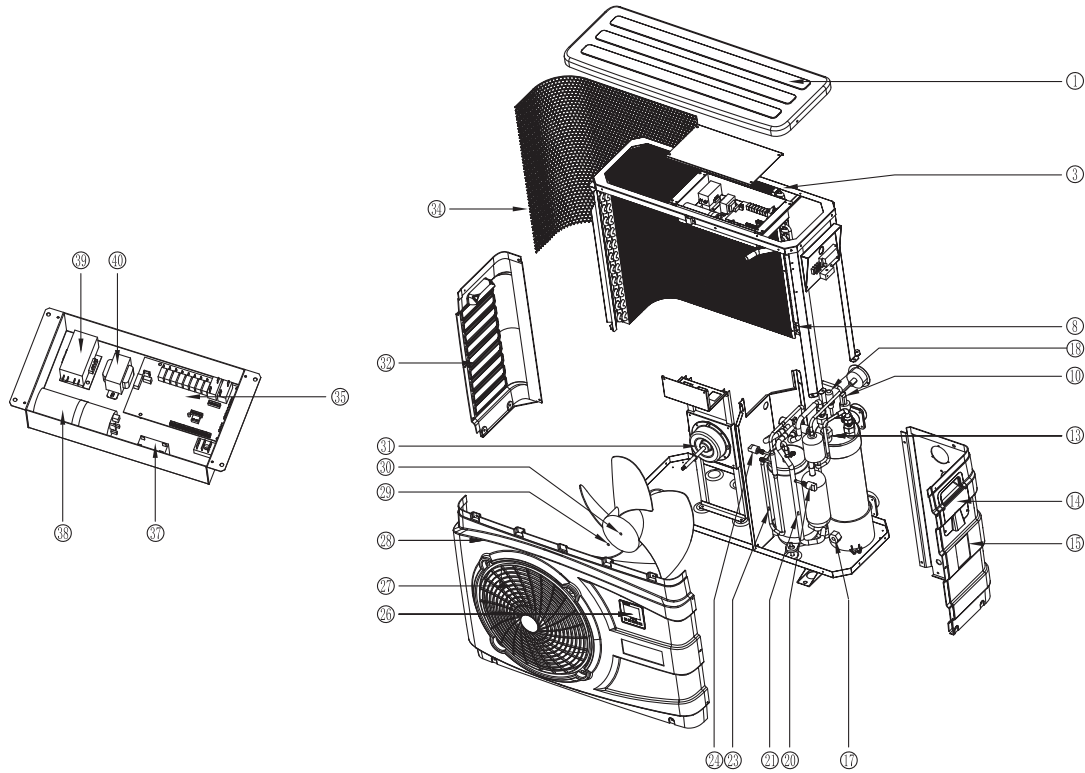


Item	Part No.	Description
ELECTRICAL SYSTEM		
1	42002-0035	Heater Display Cover
2	42001-0030S	Igniter Bracket
3	77707-0054	Igniter/Igniter Gasket Kit, (including Item Nos. 3 and 4)
4	42001-0066S	Igniter Gasket
5	42002-0025S	Automatic Gas Shutoff Switch (AGS)
6	474171Z	High Limit Switch
7	42001-0053S	Thermistor
7a	475147Z	45 Degree Inlet High Limit Switch
8	42001-0056S	Terminal Board
9	474103Z	Ignition Control Module (pre 2021)
9	476224	Ignition Control Module with Flame Sense (2021 onwards)
10	42001-0107S	Transformer, 115/230V

Item	Part No.	Description
11	42001-0061S	Air Flow Switch
12	461105	Control Board & Membrane Pad Kit (Backwards compatible with all heaters)
13	42002-0034Z	Heater, Top
14	472610Z	Membrane Pad (pre 2021)
14	461106	Membrane Pad (2021 onwards)
15	42002-0024S	Stack Flue Sensor
NOT SHOWN		
	474163Z	Heater Wiring Harness (pre 2021)
	461108	Heater Wiring Harness (2021 onwards)
	802010	Ext High Limit Kit

ULTRATEMP HX HEAT PUMP

REPLACEMENT PARTS



Item	Part No.	Description
ULTRATEMP HX REPLACEMENT PARTS		
1	803100	TOP COVER (9kW & 12kW) ALMOND
1	803172	TOP COVER (9kW & 12kW) BLACK
1	803126	TOP COVER (15kW, 17kW & 21kW) ALMOND
1	803178	TOP COVER (15kW, 17kW & 21kW) BLACK
3	803101	AMBIENT AIR TEMP SENSOR
8	803102	COIL TEMP SENSOR
10	803103	FLOW SWITCH
13	803104	OUTLET WATER TEMP SENSOR
14	803105	HANDLE (9kW & 12kW) ALMOND
14	803173	HANDLE (9kW & 12kW) BLACK
14	803154	HANDLE (15kW, 17kW & 21kW) ALMOND
14	803174	HANDLE (15kW, 17kW & 21kW) BLACK
15	803106	RIGHT PANEL (9kW & 12kW) ALMOND
15	803175	RIGHT PANEL (9kW & 12kW) BLACK
15	803127	RIGHT PANEL (15kW, 17kW & 21kW) ALMOND
15	803179	RIGHT PANEL (15kW, 17kW & 21kW) BLACK
17	803107	INLET WATER TEMP SENSOR
18	803169	EEV COIL KIT ULTRATEMP 9kW
18	803170	EEV COIL KIT ULTRATEMP 12-21kW
20	803109	LOW PRESSURE SWITCH
21	803110	COMPRESSOR SUCTION GAS TEMP SENSOR
23	803111	COMPRESSOR EXHAUST GAS TEMP SENSOR
24	803112	HIGH PRESSURE SWITCH
26	803113	LCD CONTROLLER

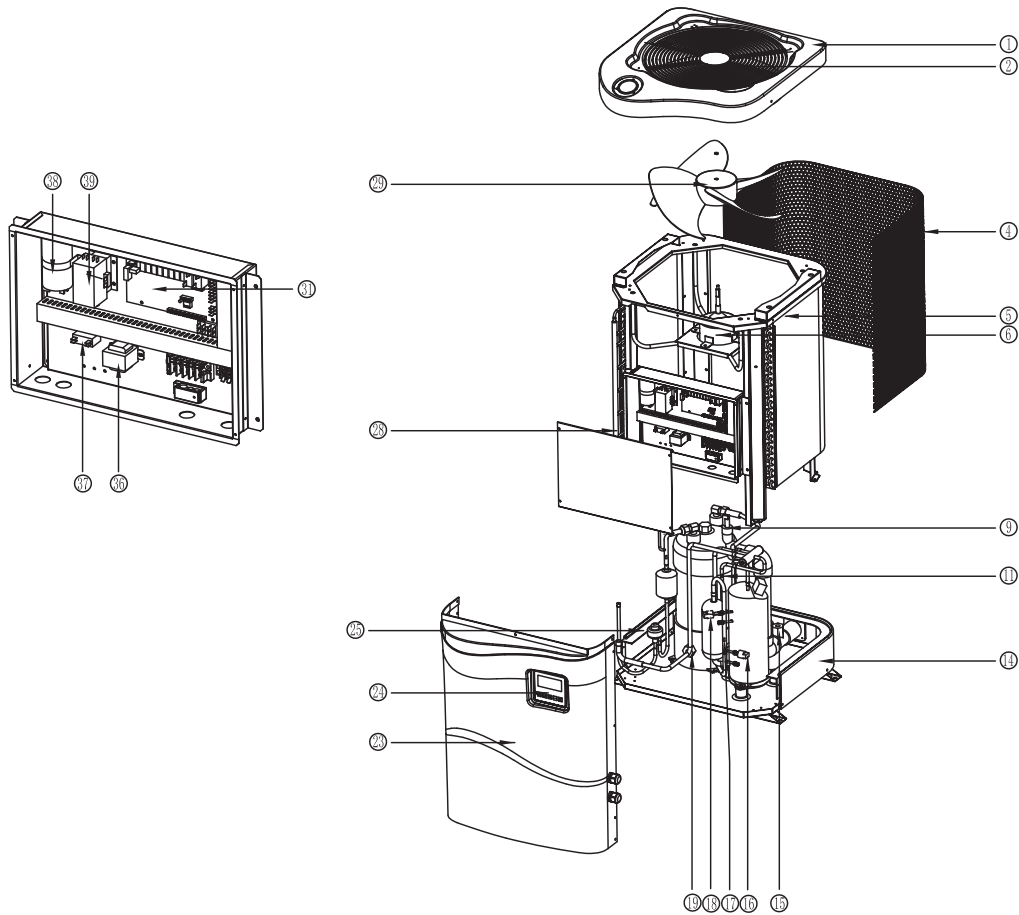
Item	Part No.	Description
27	803114	GRILL (9kW & 12kW)
27	803153	GRILL (15kW, 17kW & 21kW)
28	803115	FRONT PANEL (9kW & 12kW) ALMOND
28	803176	FRONT PANEL (9kW & 12kW) BLACK
28	803128	FRONT PANEL (15kW, 17kW & 21kW) ALMOND
28	803180	FRONT PANEL (15kW, 17kW & 21kW) BLACK
29&30	803117	FAN BLADE & NUT (9kW & 12kW)
29&30	803134	FAN BLADE & NUT (15kW, 17kW & 21kW)
31	803118	FAN MOTOR & NUT (9kW & 12kW)
31	803135	FAN MOTOR & NUT (15kW, 17kW & 21kW)
32	803119	LEFT PANEL (9kW & 12kW) ALMOND
32	803177	LEFT PANEL (9kW & 12kW) BLACK
32	803129	LEFT PANEL (15kW, 17kW & 21kW) ALMOND
32	803181	LEFT PANEL (15kW, 17kW & 21kW) BLACK
34	803120	REAR PROTECTION NET (9kW & 12kW)
34	803130	REAR PROTECTION NET (15kW, 17kW & 21kW)
35	803121	PCB MAIN BOARD
37	803122	FAN CAPACITOR 4uF (all units)
38	803123	COMP. CAPACITOR 50uF (9kW & 12kW)
38	803131	COMP. CAPACITOR KIT 70uF+161uF (15kW)
38	803132	COMP. CAPACITOR KIT 80uF+161uF (17kW)
38	803133	COMP. CAPACITOR KIT 60uF+161uF (21kW)
39	803124	AC CONTACTOR
40	803125	TRANSFORMER

Not Shown

803167 Soft starter

ULTRATEMP VX HEAT PUMP

REPLACEMENT PARTS

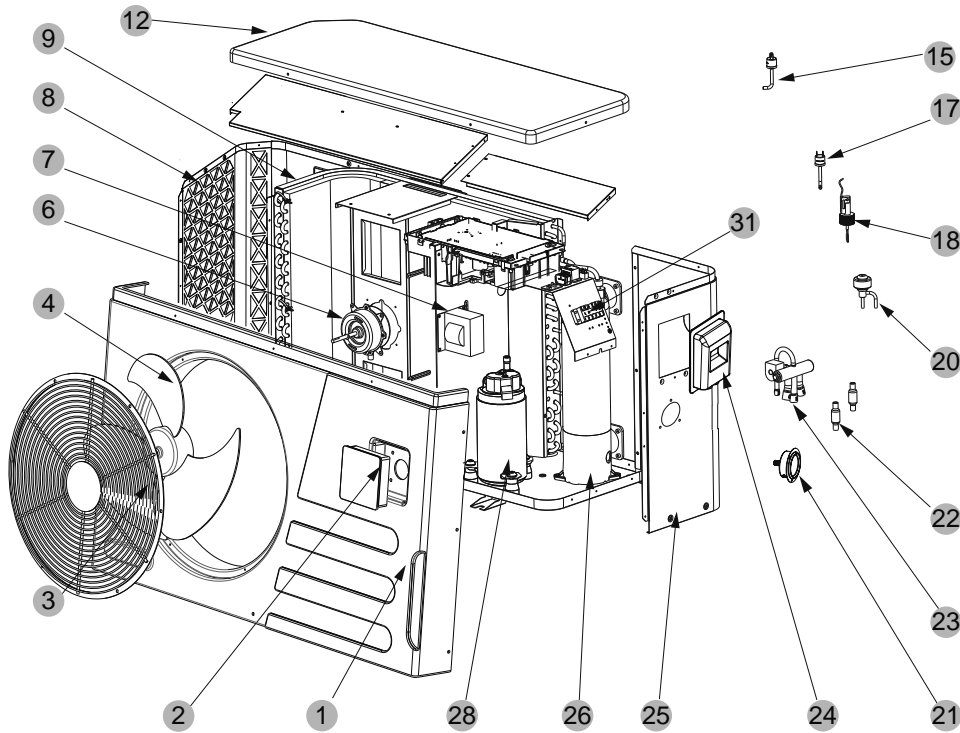


Item	Part No.	Description
ULTRATEMP VX REPLACEMENT PARTS		
1	803164	TOP COVER(5.5kW)
1	803136	TOP COVER(9.5kW, 12kW & 15kW)ALMOND
1	803182	TOP COVER(9.5kW, 12kW & 15kW)BLACK
1	803137	TOP COVER(17kW, 21kW & 25kW)ALMOND
1	803183	TOP COVER(17kW, 21kW & 25kW)BLACK
2	803156	GRILL (5.5kW)
2	803138	GRILL(9.5kW, 12kW & 15kW)
2	803139	GRILL(17kW, 21kW & 25kW)
4	803157	PROTECTION NET (5.5kW)
4	803140	PROTECTION NET (9.5kW, 12kW & 15kW)
4	803141	PROTECTION NET (17kW, 21kW & 25kW)
5	803101	AMBIENT AIR TEMP SENSOR
6	803158	FAN MOTOR & NUT KIT (5.5kW)
6	803142	FAN MOTOR & NUT KIT (9.5kW, 12kW & 15kW)
6	803143	FAN MOTOR & NUT KIT (17kW, 21kW & 25kW)
9	803103	FLOW SWITCH(5.5kW)
9	803165	FLOW SWITCH(9.5kW - 25kW)
11	803111	COMPRESSOR EXHAUST GAS TEMP SENSOR
14	803159	BOTTOM PLATE(5.5kW)

14	803144	BOTTOM PLATE(9.5kW, 12kW & 15kW)
14	803145	BOTTOM PLATE(17kW, 21kW & 25kW)
15	803104	OUTLET WATER TEMP SENSOR
16	803109	LOW PRESSURE SWITCH
17	803110	COMPRESSOR SUCTION GAS TEMP SENSOR
18	803112	HIGH PRESSURE SWITCH
19	803107	INLET WATER TEMP SENSOR
23	803160	FRONT PANEL(5.5kW)
23	803146	FRONT PANEL(9.5kW, 12kW & 15kW)ALMOND
23	803184	FRONT PANEL(9.5kW, 12kW & 15kW)BLACK
23	803147	FRONT PANEL(17kW, 21kW & 25kW)ALMOND
23	803185	FRONT PANEL(17kW, 21kW & 25kW)BLACK
24	803148	LCD CONTROLLER VX
25	803169	EEV COIL KIT ULTRATEMP 9kW
25	803170	EEV COIL KIT ULTRATEMP 12-21kW
25	803171	EEV COIL KIT ULTRATEMP 25kW
28	803102	COIL TEMP SENSOR
29	803161	FAN BLADE & NUT KIT (5.5kW)
Not Shown		
	803167	Soft starter

ULTRATEMP HXi HEAT PUMP

REPLACEMENT PARTS



Item	Part No.	Description
ULTRATEMP HXi REPLACEMENT PARTS		
1	803195	Panel Front UTHP HXi 7.5-12kW
1	803196	Panel Front UTHP HXi 16kW
1	803197	Panel Front UTHP HXi 20kW
1	803255	Panel Front UTHP HXi 24-35kW
2	803198	LCD UTHP HXi
3	803199	Grill UTHP HXi 7.5-12kW
3	803200	Grill UTHP HXi 16-20kW
3	803256	Grill UTHP HXi 24-35kW
4	803201	Fan UTHP HXi 7.5-12kW
4	803202	Fan UTHP HXi 16-20kW
4	803257	Fan UTHP HXi 24-35kW
6	803203	Motor Fan UTHP HXi 7.5-12kW
6	803204	Motor Fan UTHP HXi 16-20kW
6	803258	Motor Fan UTHP HXi 24-35kW
7	803205	Inductive Filter UTHP HXi 7.5-12kW
7	803206	Inductive Filter UTHP HXi 16-35kW
8	803207	Panel Rear UTHP HXi 7.5-12kW
8	803208	Panel Rear UTHP HXi 16kW
8	803209	Panel Rear UTHP HXi 20kW
8	803259	Panel Rear UTHP HXi 24-35kW

Item	Part No.	Description
9	Call	Condenser
12	803213	Panel Top UTHP HXi 7.5-12kW
12	803214	Panel Top UTHP HXi 16kW
12	803215	Panel Top UTHP HXi 20kW
12	803260	Panel Top UTHP HXi 24-35kW
15	803218	Low Pressure Switch UTHP HXi
17	803220	High Pressure Switch UTHP HXi
18	803221	Flow Switch UTHP HXi 9-20kW
19	803254	Flow Switch UTHP HXi 24-35kW
20	803223	EEV UTHP HXi 7.5-12kW
20	803224	EEV UTHP HXi 16-20kW
20	803261	EEV UTHP HXi 24-35kW
21	Call	Pressure Gauge UTHP HXi
22	Call	Filter
23	Call	Four-way valve
24	803228	Junction Box UTHP HXi
25	803230	Panel Right UTHP HXi 7.5-12kW
25	803231	Panel Right UTHP HXi 16kW
25	803232	Panel Right UTHP HXi 20kW
25	803262	Panel Right UTHP HXi 24-35kW
26	Call	Titanium tube heat exchanger

ULTRATEMP HXi HEAT PUMP

REPLACEMENT PARTS

Item	Part No.	Description
28	Call	Compressor
29	803276	Inverter Drive UTHP HXi 9kW
29	803236	Inverter Drive UTHP HXi 12kW
30	803237	Inverter Drive UTHP HXi 16kW
30	803281	Inverter Drive UTHP HXi 20kW
30	803238	Relay UTHP HXi
31	803239	Terminal Block UTHP HXi 7.5-24kW
31	803265	Terminal Block UTHP HXi 28-35kW
32	803263	Inverter Drive UTHP HXi 24kW
33	803270	Control Board PC1004-G 24kW
34	803266	EMC Filter UTHP HXi 24kW
35	803271	Control Board PC1004 28kW
35	803370	Control Board PC1004 35kW
36	803264	Inverter Drive UTHP HXi 28kW
36	803369	Inverter Drive UTHP HXi 35kW
37	803267	EMC Filter UTHP HXi 28-35kW
38	803272	Fan speed regulating module 28-35kW
39	803273	Capacitance board
Not Shown		
	803240	EMC Filter UTHP HXi 16-20kW
	803241	Temp Sensor Exhaust Gas UTHP HXi 9-20kW
	803268	Temp Sensor Exhaust Gas UTHP HXi 24-35kW
	803242	Temp Sensor Suction/Coil/Ambient/water 9-20kW (not 16kW coil, see 35)
	803269	Temp Sensor Suction/Coil/Ambient/Water 24-35kW
	803243	Temp Sensor Coil UTHP 16HXi
	803248	Display Protection Box UTHP HXi
	803274	Accessory Kit UTHP 9-20 Hxi
	803275	Accessory Kit UTHP 24-35 Hxi
	803364	Barrel Unions
	803368	O-Ring Barrel Union 48x5mm
	803367	Wifi Module

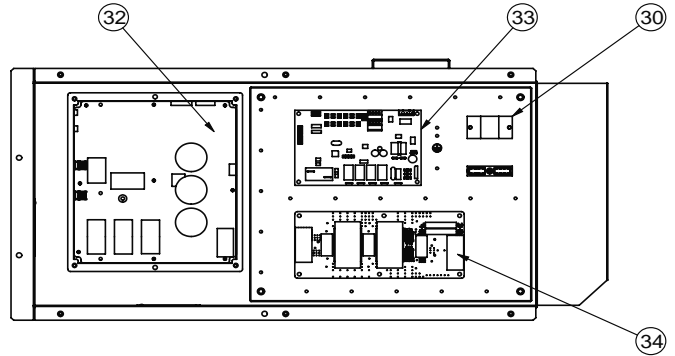


Figure 1: Electrical box spares UTHP 24kW

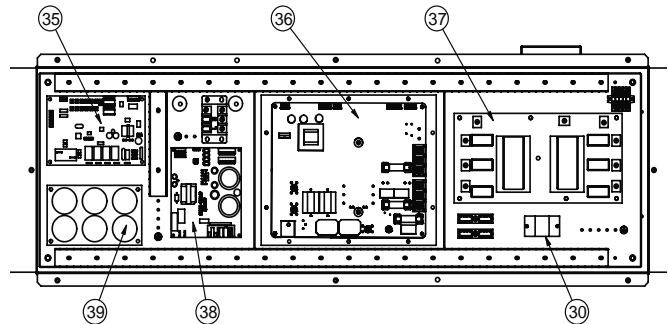
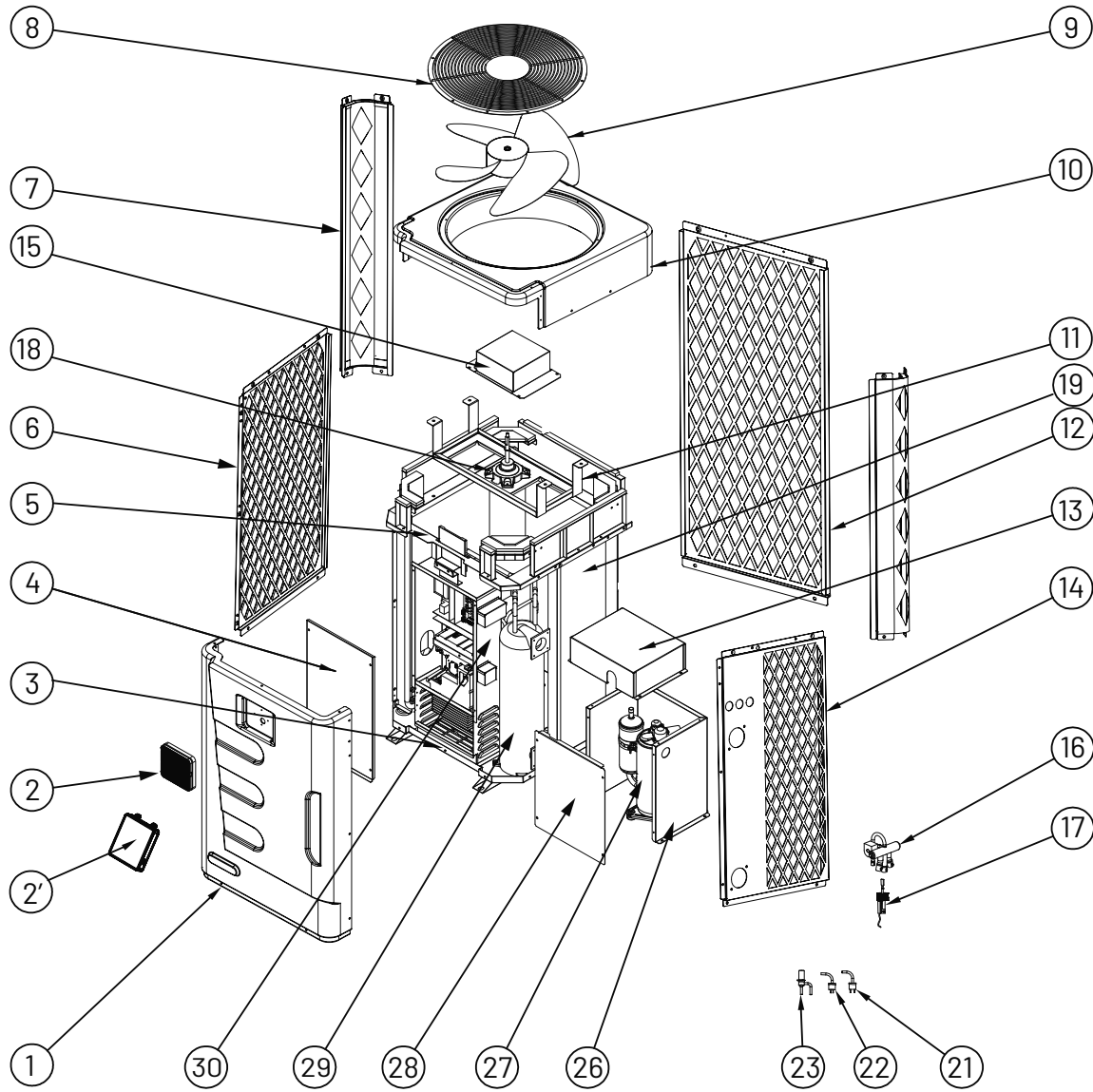


Figure 2: Electrical box spares UTHP 28kW & 35kW

ULTRATEMP VXi HEAT PUMP

REPLACEMENT PARTS



Item	Part No.	Description
ULTRATEMP VXi REPLACEMENT PARTS		
1	803281	Panel Front UTHP Vxi 17
1	803282	Panel Front UTHP Vxi 20-24
1	803283	Panel Front UTHP Vxi 28
2	803248	BOX & COVER FOR LCD UTHP HXI
2	803198	LCD UTHP Hxi
3	CALL	CHASSIS ASSEMBLY
4	803284	Cover Electric Box UTHP Vxi 13-17
4	803285	Cover Electric Box UTHP Vxi 20-24
4	803286	Cover Electric Box UTHP Vxi 28
4	803287	Cover Electric Box UTHP Vxi 32
5	CALL	TOP SUPPORT ASSEMBLY

Item	Part No.	Description
6	803288	Panel Left UTHP Vxi 17
6	803289	Panel Left UTHP Vxi 20-24
6	803290	Panel Left UTHP Vxi 28
7	803291	Panel Column UTHP Vxi 17
7	803292	Panel Column UTHP Vxi 20-24
7	803293	Panel Column UTHP Vxi 28-32
8	803294	GRILL UTHP VXi 13-17
8	803295	GRILL UTHP VXi 20-24
8	803296	GRILL UTHP VXi 28-32
9	803297	FAN BLADE UTHP VXi 13-17

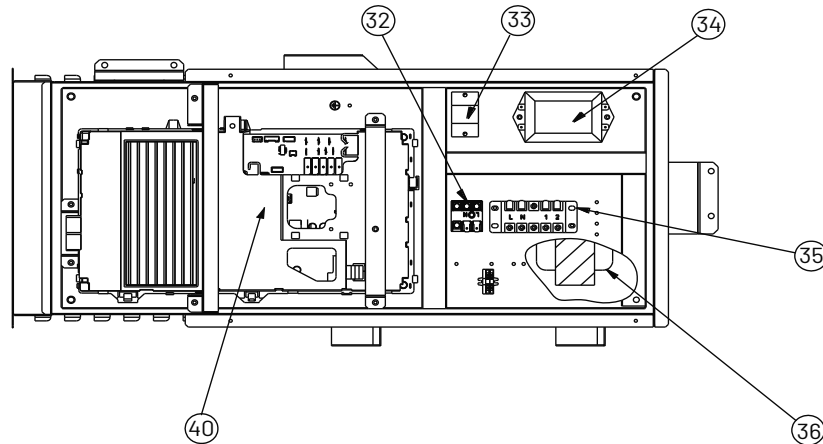
ULTRATEMP VXi HEAT PUMP

REPLACEMENT PARTS

Item	Part No.	Description
9	803298	FAN BLADE UTHP VXI 20-24
9	803299	FAN BLADE UTHP VXI 28-32
10	803300	COVER TOP UTHP VXI 17
10	803301	COVER TOP UTHP VXI 20-24
10	803302	COVER TOP UTHP VXI 28
11	CALL	TOP FRAME ASSEMBLY
12	803303	COVER REAR UTHP VXI 17
12	803304	COVER REAR UTHP VXI 20-24
13	803305	COVER COMP TOP UTHP VXI 13-17
13	803306	COVER COMP TOP UTHP VXI 20-24
13	803307	COVER COMP TOP UTHP VXI 28-32
14	803308	COVER RIGHT UTHP VXI 17
14	803309	COVER RIGHT UTHP VXI 20-24
14	803310	COVER RIGHT UTHP VXI 28-32
15	803274	COVER MOTOR UTHP VXI 20-24
16	803311	VALVE 4-WAY UTHP VXI 13-17
16	803312	VALVE 4-WAY UTHP VXI 20-32
17	803221	FLOW SWITCH UTHP VXI 13-17
17	803254	FLOW SWITCH UTHP VXI 20-32
18	803341	MOTOR FAN UTHP VXI 13-17
18	803342	MOTOR FAN UTHP VXI 20-24
18	803343	MOTOR FAN UTHP VXI 28-32
19	803344	CONDENSOR UTHP VXI 17
19	803345	CONDENSOR UTHP VXI 20
19	803346	CONDENSOR UTHP VXI 24
19	803347	CONDENSOR UTHP VXI 28
19	803348	CONDENSOR UTHP VXI 32
21	803220	HIGH PRESSURE SWITCH UTHP

Item	Part No.	Description
22	803218	LOW PRESSURE SWITCH UTHP
23	803224	EEV UTHP 17
23	803332	EEV UTHP 20
23	803333	EEV UTHP 24
23	803334	EEV UTHP 28
23	803335	EEV UTHP 32
23	803331	EEV UTHP 13
26	803313	COVER COMP REAR UTHP VXI 13-17
26	803315	COVER COMP REAR UTHP VXI 20-24
26	803314	COVER COMP REAR UTHP VXI 28-32
27	803316	COMPRESSOR UTHP VXI 13-17
27	803317	COMPRESSOR UTHP VXI 20-24
27	803318	COMPRESSOR UTHP VXI 28
27	803319	COMPRESSOR UTHP VXI 32
28	803320	COVER COMP FRONT UTHP 13-17
28	803321	COVER COMP FRONT UTHP 20-24
28	803322	COVER COMP FRONT UTHP 28-32
29	803323	HEAT EXCHANGER TI UTHP VXI 13
29	803324	HEAT EXCHANGER TI UTHP VXI 17
29	803325	HEAT EXCHANGER TI UTHP VXI 20
29	803326	HEAT EXCHANGER TI UTHP VXI 24
29	803327	HEAT EXCHANGER TI UTHP VXI 28
29	803328	HEAT EXCHANGER TI UTHP VXI 32
30	803329	ELECTRICAL BOX UTHP VXI 13-17
30	803330	ELECTRICAL BOX UTHP VXI 20-24
30	803331	ELECTRICAL BOX UTHP VXI 28
30	803332	ELECTRICAL BOX UTHP VXI 32

UTHP VXi 13-17



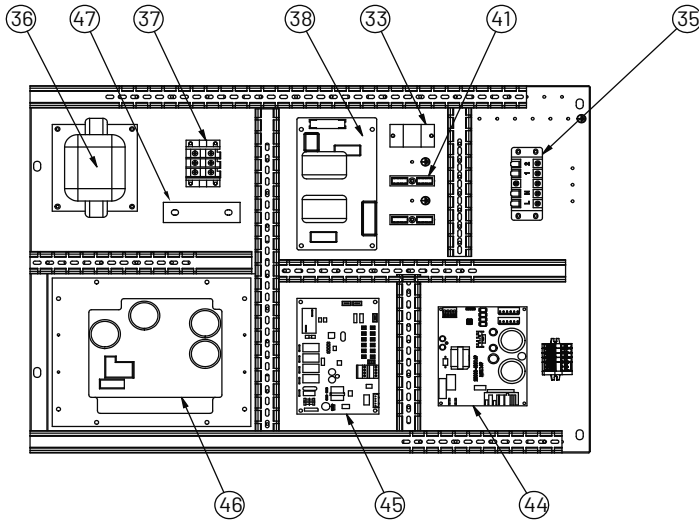
Item	Part No.	Description
ULTRATEMP VXi REPLACEMENT PARTS		
32	803336	TERMINAL 3P UTHP 13-17
33	803238	RELAY 230V 30A UTHP VXI 13-32
34	803240	EMC Filter UTHP VXI 13-17

Item	Part No.	Description
35	803239	TERMINAL 5P UTHP VXI 13-24
36	803206	Inductive Filter UTHP VXI 13-17kW
40	803337	INVERTER DRIVE UTHP VXI 13-17

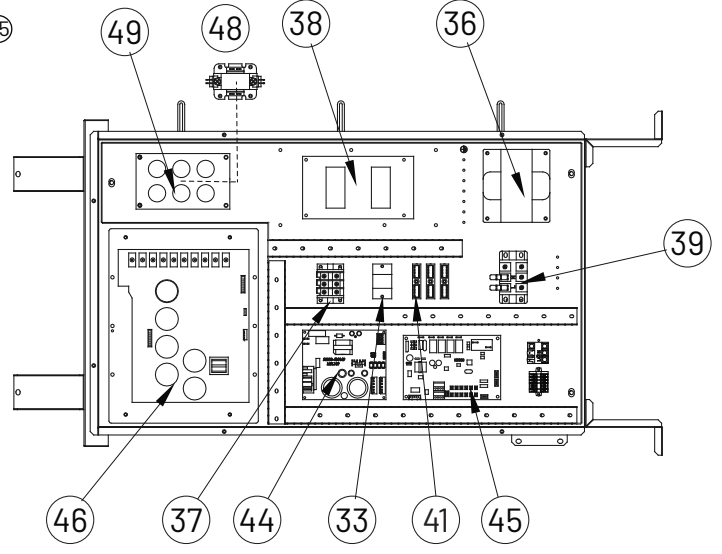
ULTRATEMP VXi HEAT PUMP

REPLACEMENT PARTS

UTHP VXi 20-24



UTHP VXi 28-32



Item	Part No.	Description
ULTRATEMP VXi REPLACEMENT PARTS		
36	803338	Inductive Filter UTHP VXI 20-28
37	803339	TERMINAL 3P UTHP 20-32
38	803340	PCB DRIVER FILTER UTHP VXI 20-24
38	803266	PCB DRIVER FILTER UTHP VXI 32
39	803354	TERMINAL 3P UTHP 28
41	803344	TERMINAL 2P UTHP VXI 20-32
44	803345	PCB ZL0001-G UTHP VXI 20-24
44	803346	PCB ZL0001-G UTHP VXI 28-32
45	803271	PCB PC1004-G UTHP VXI 20-28
45	803348	PCB PC1004-G UTHP VXI 32

Item	Part No.	Description
46	803349	PCB VFD UTHP VXI 20-24
46	803350	PCB VFD UTHP VXI 28
46	803351	PCB VFD UTHP VXI 32
47	803352	FUSE UTHP VXI 20-24
48	803353	AC contactor UTHP VXI 28
49	803273	Capacitor board
Not Shown		
	803275	Accessory Kit
	803364	Barrel Unions
	803368	O-Ring Barrel Union
	803367	Wifi Module



PENTAIR
POOL



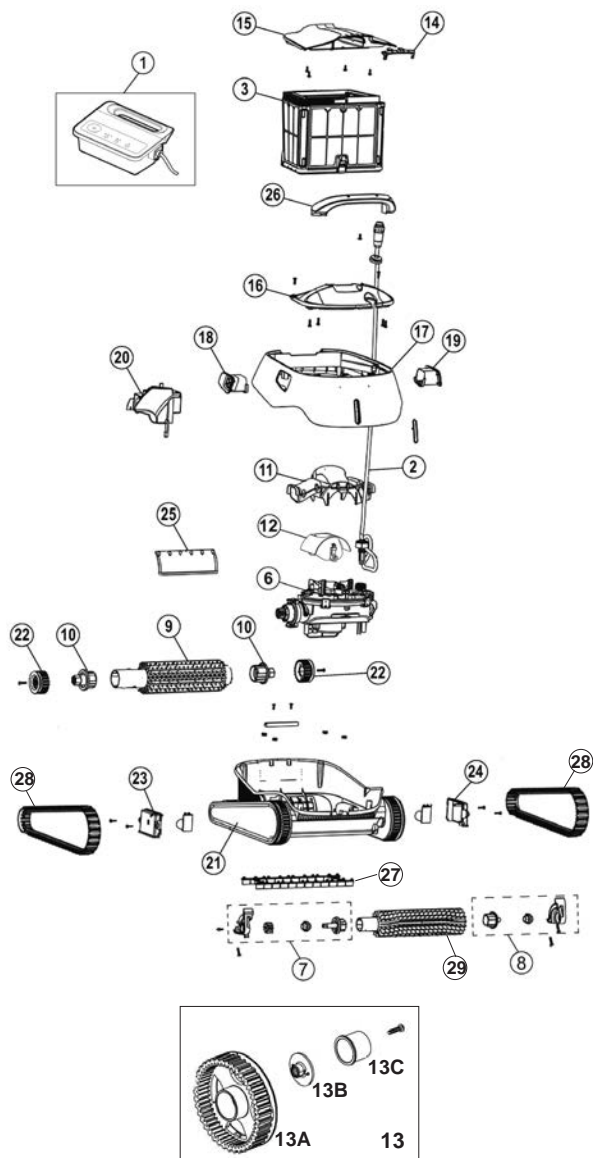
REPLACEMENT PARTS

AUTOMATIC

POOL CLEANERS

PROWLER 930

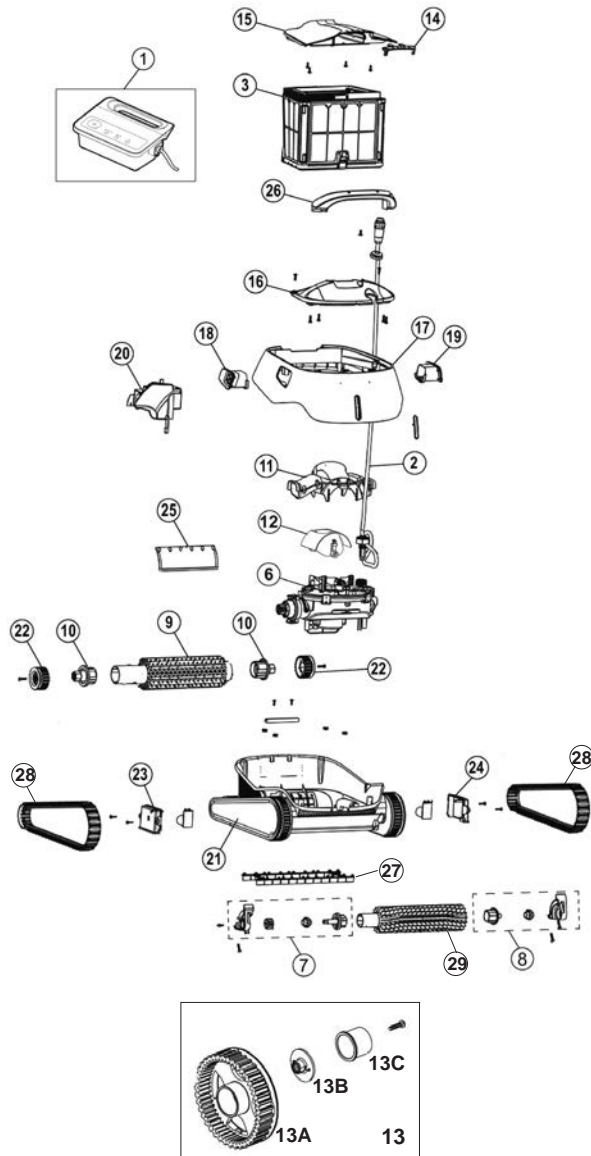
REPLACEMENT PARTS



Item	Part No.	Description
PROWLER 920 REPLACEMENT PARTS		
1	800790	Power Supply
2	360361	Communication Cable
3	360362	Filter Basket
3	360363	Cartridge Filter Kit
3	360364	Net Filter Kit
	800796	Basket Non-Return Flap
6	360365	Motor Unit
7	360366	Front Brush Mounting, Left
8	360366	Front Brush Mounting, Right
9	360367	Rear Brush
10A	360368	Rear Brush Mounting
10B	800072	Rear Brush Coupling
11	360370	Manifold Assembly
12	360371	Impeller Cover
13A	800793	Wheel
13C	800794	Bushing
13B	800795	Disk
15	360374	Filter Cover + Latch
16	360375	Intermediate Cover
17	360376	External Housing
18	360377	Left Grill
19	360378	Right Grill
20	360379	Internal Float
21	360380	Side Panel
22	360381	Rear Wheel Assembly (1 Set)
23	360382	Bypass Cover, Left
24	360383	Bypass Cover, Right
25	360384	Rapid Drain Flap
26	360385	Handle
27	360357	Rubber Strips
28	360342	Track Grey
29	360345	Active Blush
NOT SHOWN		
	360340	Impeller
	360386	Small Screw Set, KA50x20
	360387	Large Screw Set, KA50x16
	800792	Bypass Assembly
	800044	Power Cable

PROWLER 920

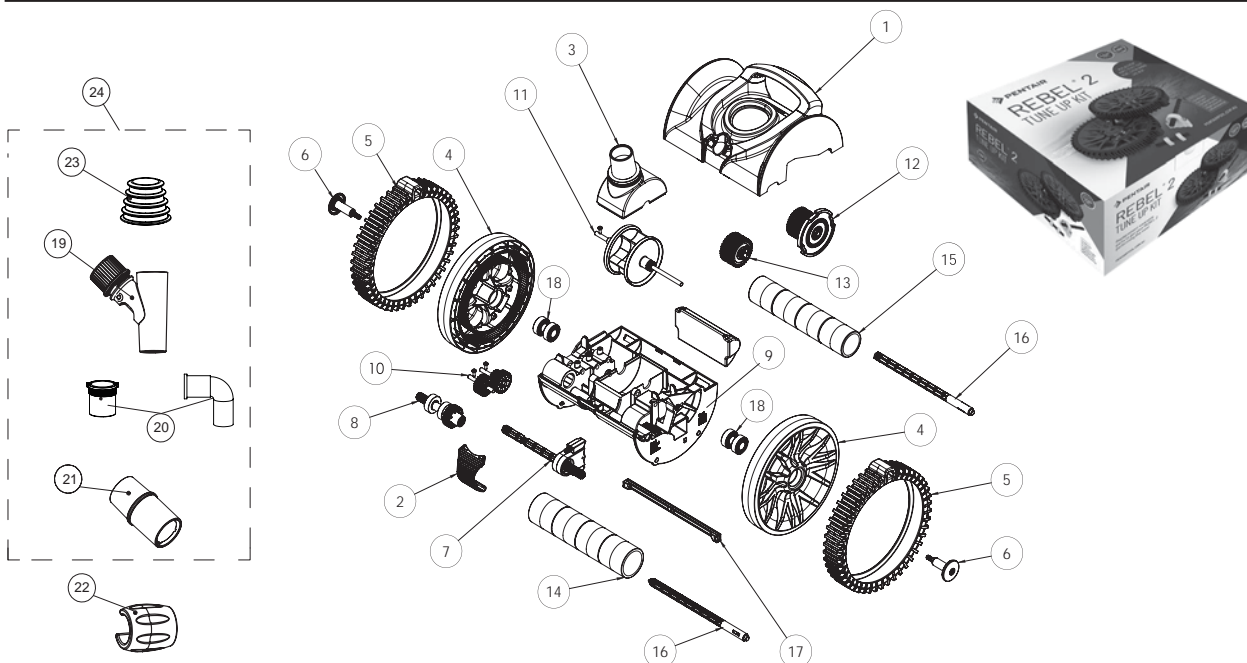
REPLACEMENT PARTS



Item	Part No.	Description
PROWLER 920 REPLACEMENT PARTS		
1	800790	Power Supply
2	360361	Communication Cable
3	360362	Filter Basket
3	360363	Cartridge Filter Kit
3	360364	Net Filter Kit
	800796	Basket Non-Return Flap
6	360365	Motor Unit
7	360366	Front Brush Mounting, Left
8	360366	Front Brush Mounting, Right
9	360367	Rear Brush
10A	360368	Rear Brush Mounting
10B	800072	Rear Brush Coupling
11	360370	Manifold Assembly
12	360371	Impeller Cover
13A	800793	Wheel
13C	800794	Bushing
13B	800795	Disk
15	360374	Filter Cover + Latch
16	360375	Intermediate Cover
17	360376	External Housing
18	360377	Left Grill
19	360378	Right Grill
20	360379	Internal Float
21	360380	Side Panel
22	360381	Rear Wheel Assembly (1 Set)
23	360382	Bypass Cover, Left
24	360383	Bypass Cover, Right
25	360384	Rapid Drain Flap
26	360385	Handle
27	360357	Rubber Strips
28	360342	Track Grey
29	360345	Active Blush
NOT SHOWN		
	360340	Impeller
	360386	Small Screw Set, KA50x20
	360387	Large Screw Set, KA50x16
	800792	Bypass Assembly
	800044	Power Cable

REBEL

REPLACEMENT PARTS

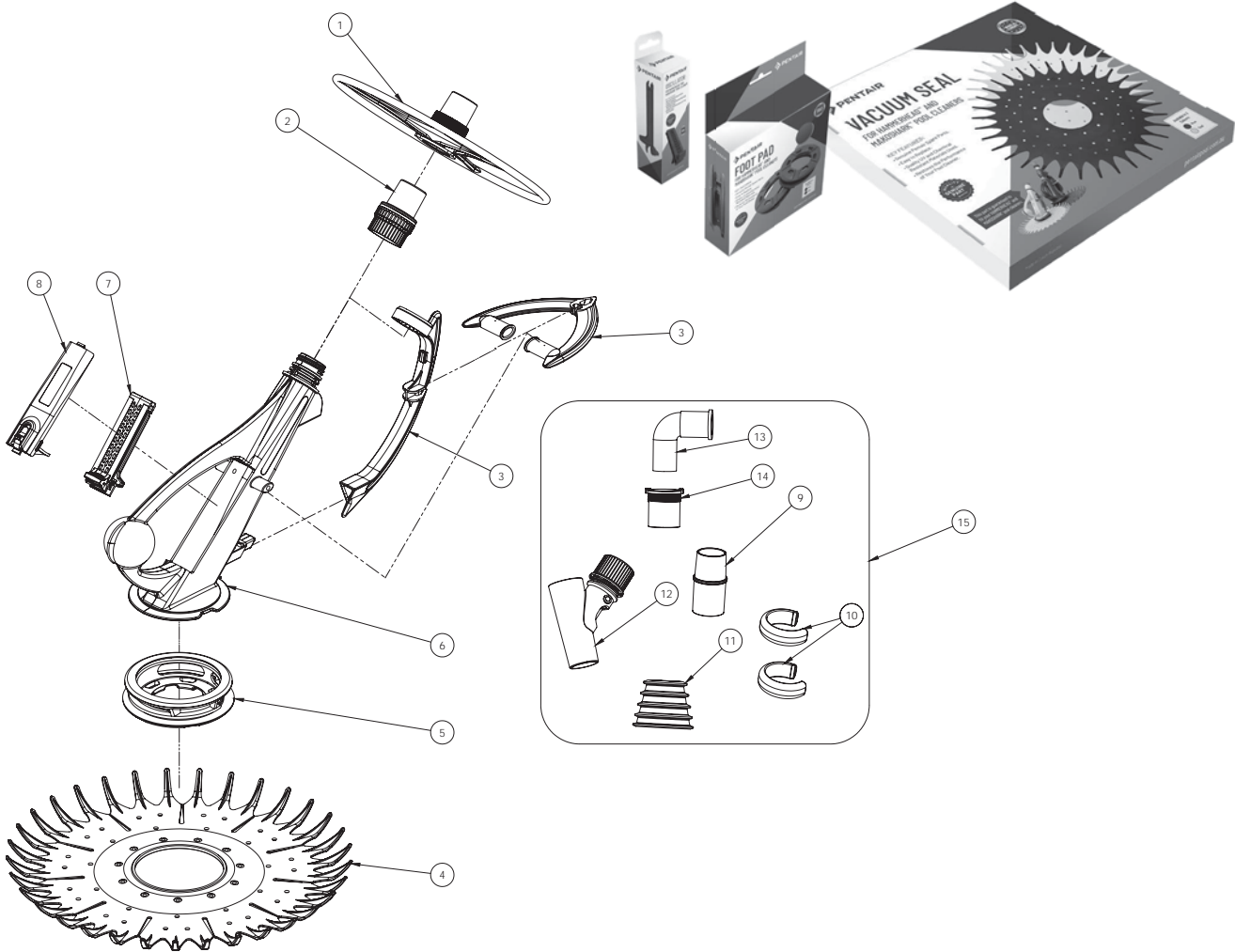


Item	Part No.		Description
	REBEL	REBEL 2	
1	360283	360477	Top Cover Kit Blue
1	360283W		Top Cover Kit White
2	360284	360284	Buckle Kit Blue
2	360284W		Buckle Kit White
3	360285	360453	Swivel Kit
4	360286	See tune up kit	Wheel Kit
5	360287	800029	Tire Kit (2 pcs)
6	360288	360483	Wheel Hub Kit
7		360289	Left Drive Kit
8		360290	Right Drive Kit
Not Shown	-	800085	Drive Kit (7,8)
9	360291	-	Bottom Cover Kit
10		360292	Drive Gear Kit
11		360293	Closed-vane Turbine Kit
11		800143	Open-vane Turbine Kit
12		360294	Cam Kit
13		360295	Cam Gear Kit
Not Shown	-	800086	Gear Kit (10,11,12,13)
14	360296	See roller kit	Front Roller Kit
15	360297	See roller kit	Rear Roller Kit
16	360298	See roller kit	Roller Bar Kit
17	360299	See roller kit	Wear Bar Kit
Not Shown	-	800087	Roller Kit
18	-	360492	Wheel Bearing Kit

Item	Part No.		Description
	REBEL	REBEL 2	
23	See kit		Reducer Cone
19	See kit		Regulator Valve
20	See kit		Adaptor + Elbow
21	See kit		Flow Gauge
22		360300	Float (blue)
24	707665	700008	Accessory Kit
		800103	Complete Head
	810942	800139	Tune Up Kit
NOT SHOWN			
		BS59610	Sectional Hose Blue
	GW7911	800030	Leader Hose Blue
	371807	360490	Tyre (large hump for obstacles)
		800109	Blue sectional hose bulk pack
		360327	Long run cam

HAMMERHEAD

REPLACEMENT PARTS

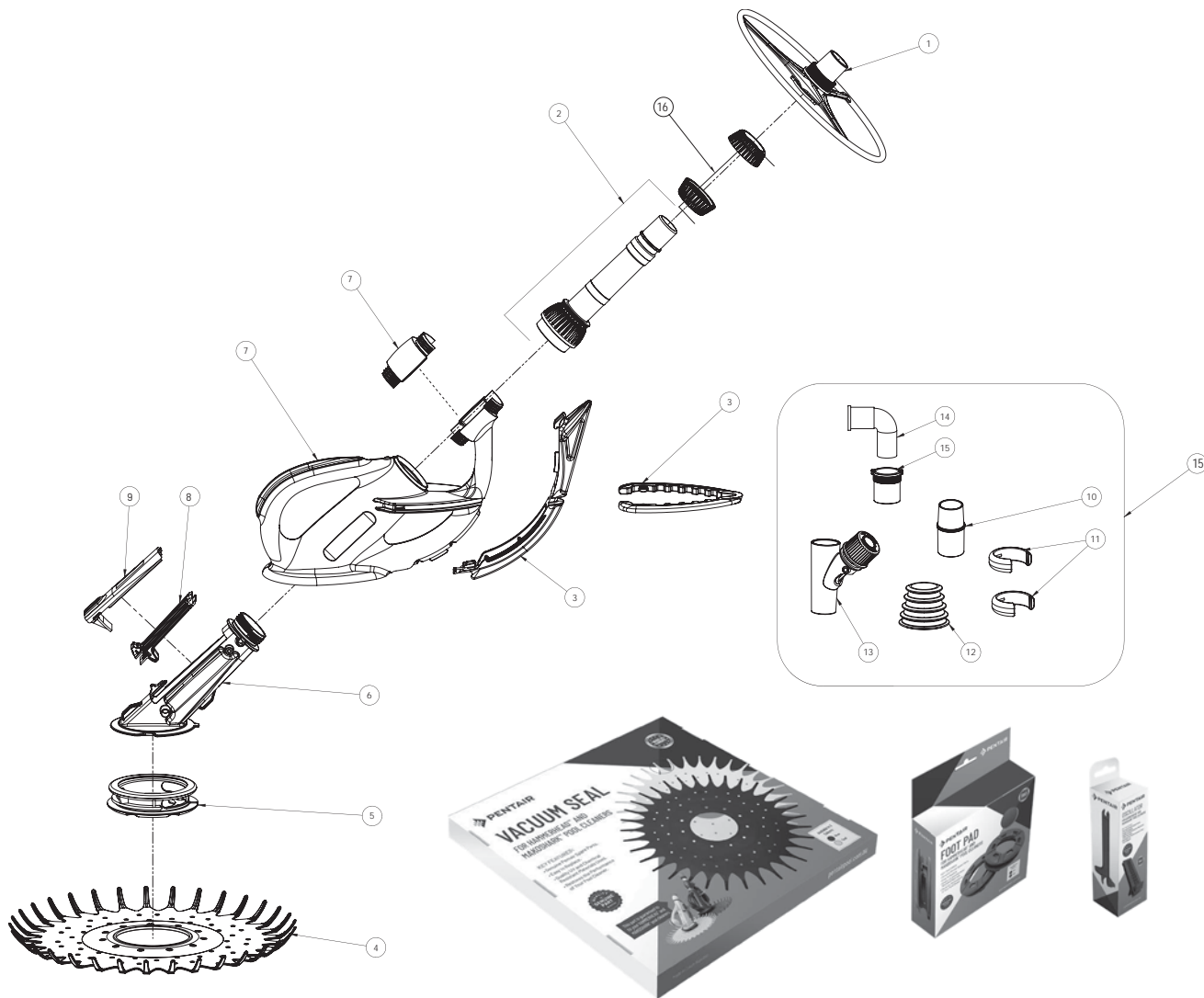


Item	Part No.	Description
HAMMERHEAD PARTS		
1	G-K-1060	Deflector Wheel Kit
2	K3090	Swivel Kit
3	K8057	Bumper Horizontal & Vertical Kit
4	K6128S	Vacuum Seal -18 inch
5	K6129S	Foot Pad
6	K7985	Main Housing Kit
7	K6130S	Silent Flapper - Oscillator
8	K6132	Lid and Lock Kit
9	See kit	Flow Gauge
10	See kit	Hose Weight

Item	Part No.	Description
11	See kit	Reducer Cone
12	See kit	Regulator Valve (Adjustable)
13	See kit	Elbow & Threaded Adaptor Kit
15	K-ACCY BAG	Accessory Kit (Includes 9,10,11,12,13,&14)
NOT SHOWN		
	59616	Hose Standard 1 Section
	800108	Hose Standard 36Pack
	59619	Hose Leader 1 Section

MAKO SHARK

REPLACEMENT PARTS

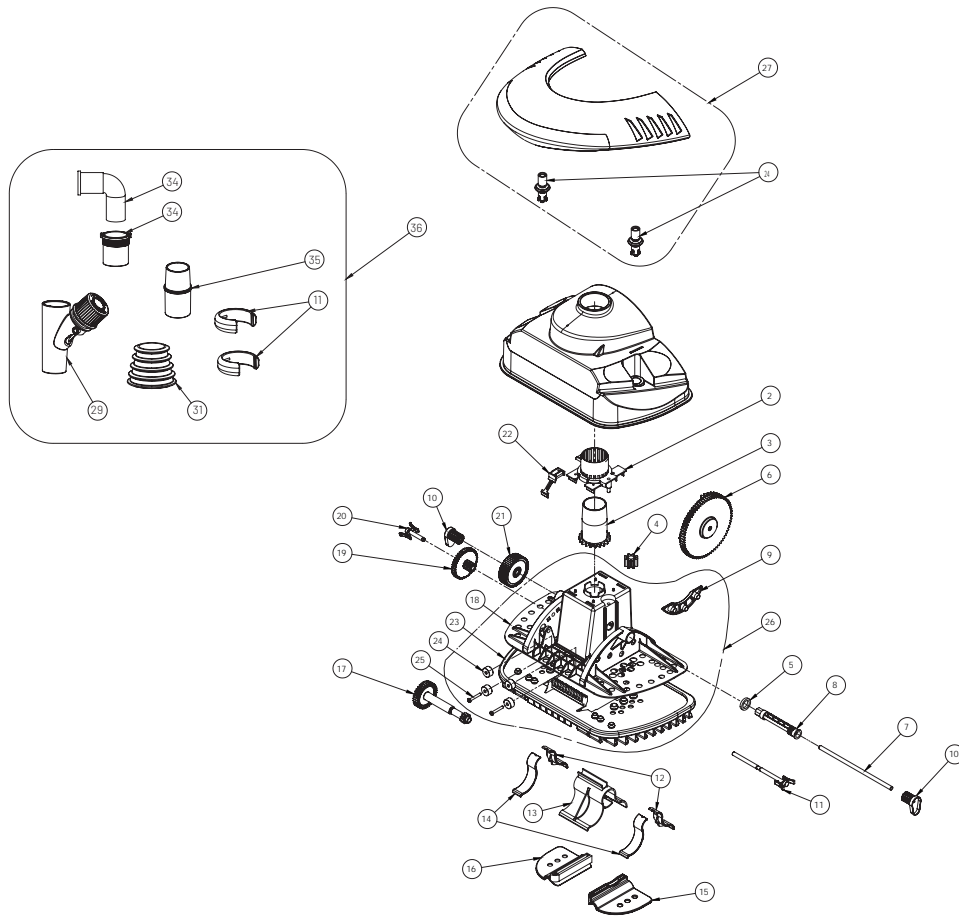


Item	Part No.	Description
MAKO SHARK PARTS		
1	G-K-1060	Deflector Wheel Kit
2	M60444	Swivel Kit
3	M60451	Bumper Horizontal & Vertical Kit (Grey)
3	BS60451	Bumper Horizontal & Vertical Kit (Orange)
4	M60442S	Vacuum Seal (Blue)
4	BS60442	Vacuum Seal (Orange)
5	K60450S	Foot Pad Dark Gray
6	M60443	Internal Kit
7	M60441	External Housing Kit
8	K6130S	Silent Flapper - Oscillator
9	M60412	Lid and Lock Kit

Item	Part No.	Description
10	See kit	Flow Gauge
11	See kit	Hose Weight
12	See kit	Reducer Cone
13	See kit	Regulator Valve (Adjustable)
14	See kit	Elbow + Threaded Adapter Kit
15	K-ACCY BAG	Accessory Kit (Includes 10,11,12,13,14 & 15)
16	M60445	Nut Kit
NOT SHOWN		
	BS59610	Blue Standard Hose 1 Section
	800109	Blue standard Hose 36 pack
	BS59611	Blue Leader Hose 1 Section

SANDSHARK

REPLACEMENT PARTS

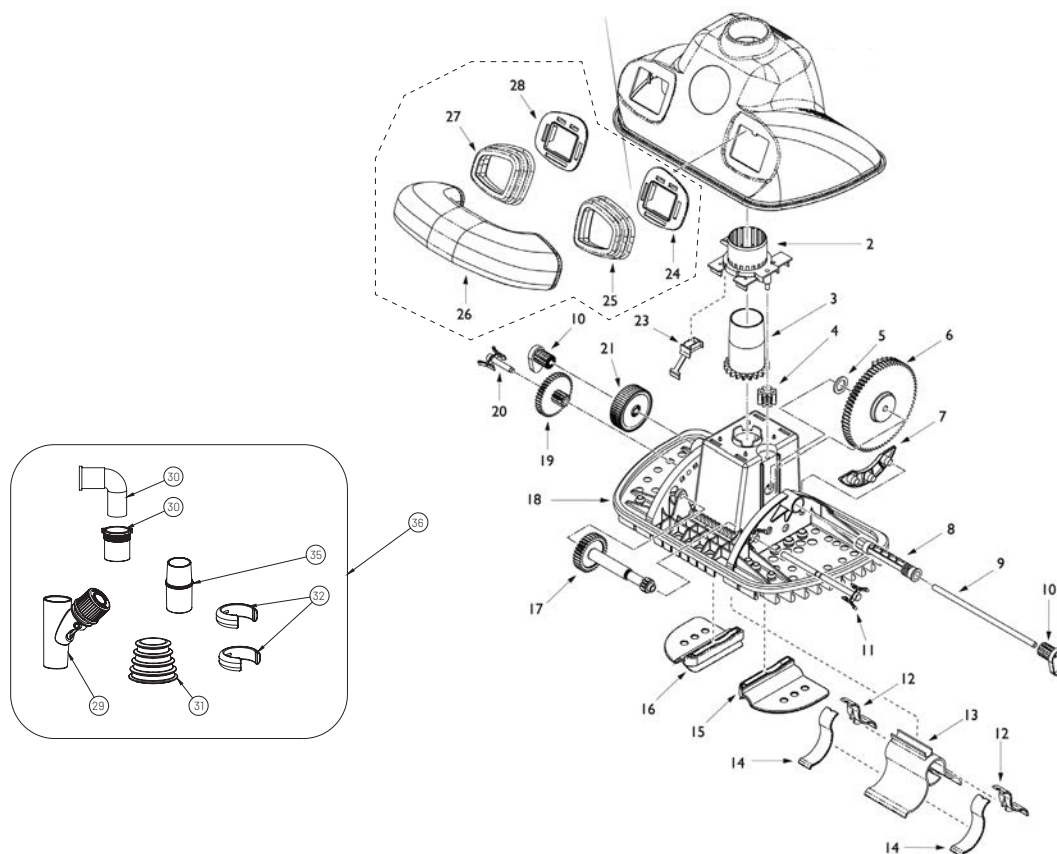


Item	Part No.	Description
	GW7910	Steering Kit (Incl. Key Nos. 2, 3, 4 & 22)
2		Swivel Housing
3		Swivel
4		Swivel Sprocket
22		Clutch Clip
	GW7503	Clutch Kit (Incl. Key Nos. 5, 8 & 21)
5		Oscillator Sleeve Bushing
8		Oscillator Sleeve
21		Clutch Assembly
	GW7504	Gear Kit (Incl. Key Nos. 6, 10, 11, 17, 19 & 20)
6		Large steering Drive Assembly
10		Shaft Plug
11		Long Sprocket Clip
17		Drive Shaft assembly
19		Center Sprocket
20		Short Sprocket Clip
	GW7912	Oscillator Kit (Incl. Key Nos. 12, 13 & 14)
12		Small Sliding Seal
13		Oscillator
14		Large Sliding Seal

Item	Part No.	Description
	GW7913	Seal Flap Kit (Incl. Key Nos. 15 & 16)
15		Right Seal Flap
16		Left Seal Flap
36	K-ACCY BAG	Accessory Kit
35	K1027	Flow Gauge
11	K1053	Hose Weight
31	K1023	Reducer Cone
29	K1026	Regulator Valve (Adjustable)
34	K1061	Elbow + Threaded Adapter Kit
OTHER		
9	41201-0213	Shaft - Stainless Steel
23	41201-0227W	Foot Pad (White)
26	41201-0242W	Chassis with Pad
27	GW7902	Bumper with flex snaps
24	GW7904	Flex Snaps Kit
NOT SHOWN		
	GW7911	Short Leader Hose
	59867	Suction Hose, 1 Meter segment
	800109	Bulk Hose Pack (36 Pieces)

POOL SHARK

REPLACEMENT PARTS

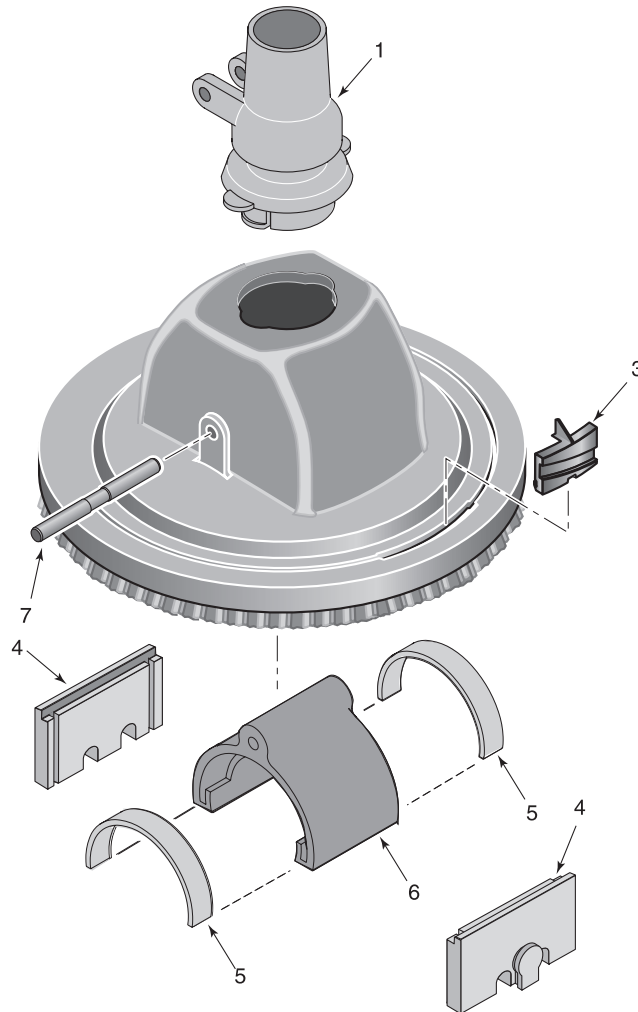


Item	Part No.	Description
	GW7505	Steering Kit For Model GW7500 (purple)
	GW7515	Steering Kit For Model GW7700 (grey)
2		Swivel Housing
3		Swivel
4		Swivel Sprocket
23		Clutch Clip
	GW7503	Clutch Kit
5		Oscillator Sleeve Bushing
8		Oscillator Sleeve
21		Clutch Assembly
	GW7504	Gear Kit
6		Large Steering Drive Assembly
10		Shaft Plug
11		Long Sprocket Clip
17		Drive Shaft Assembly
19		Center Sprocket
20		Short Sprocket Clip
	GW7502	Oscillator Kit
12		Small Sliding Seal
13		Oscillator
14		Large Sliding Seal
	GW7506	Seal Flap Kit (Incl. Key Nos. 15 & 16)
15		Right Seal Flap
16		Left Seal Flap

Item	Part No.	Description
	GW7511	Bumper Kit For Model GW7700 (grey)
	GW7501	Bumper Kit For Model GW7500 (yellow)
24	-	Right Bumper Boot Clip
25	-	Right Bumper Boot (grey)
25	-	Right Bumper Boot (yellow)
26	-	Bumper
27	-	Left Bumper Boot (grey)
27	-	Left Bumper Boot (yellow)
28	-	Left Bumper Boot Clip
36	K-ACCY BAG	Accessory Kit
35	K1027	Flow Gauge
32	K1053	Hose Weight
31	K1023	Reducer Cone
29	K1026	Regulator Valve (Adjustable)
30	K1061	Elbow + Threaded Adapter Kit
ACCESSORIES		
18	41201-0242	Chassis with Pad For Model GW7500 (purple)
18	41201-0242C	Chassis with Pad For Model GW7700 (grey)
	GW7532	Foot Pad (grey)
	GW7531	Foot Pad (purple)
NOT SHOWN		
	59380	Short "Leader" Hose
	59867	Hose Standard 1.0m
	800110	Hose Bulk Pack 36 Pieces

'LIL SHARK

REPLACEMENT PARTS

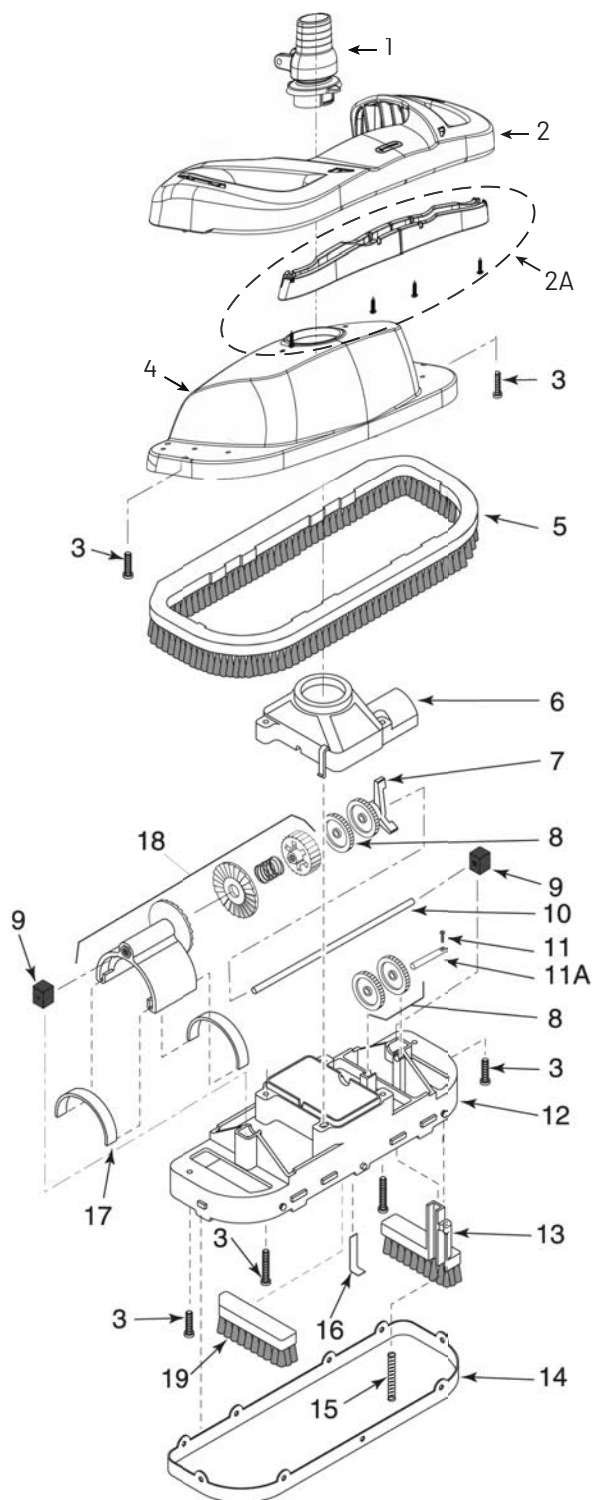


Item	Part No.	Description
LIL SHARK REPLACEMENT PARTS		
1	GW9012	Swivel Assembly
3	41100-0026	Ring Adjuster
4	Not Avail.	Oscillator Impact Bumper (Pkg of 2)
5	GW9004	Oscillator Seals (Pkg of 2)
6	GW9003	Oscillator Kit (Includes Seals)
7	GW9002	Axle Shaft
NOT SHOWN		
	GW9018	Vacuum Regulator
	GW9015	Reducer Cone
	GW9019	Unidapt Handle
	GW9510	Replacement Hose Kit (Includes 1 each 20 ft., 8 ft. and 4 ft. Hose)

Note: If body fails, order GW8000.

GREAT WHITE II

REPLACEMENT PARTS



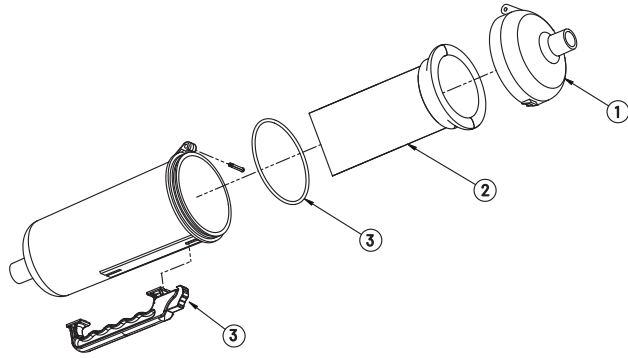
Item	Part No.	Description
PROWLER 920 REPLACEMENT PARTS		
1	GW9012	Swivel Assembly
2	360152	Bumper
2A	360154	Bumper Insert Kit (Incl. 2 Bumper Inserts and 4 Bumper Insert Screws)
3	GW9504	Screw Kit (6 short, 2 long)
4	GW9505	Brush Ring
5	GW9506	Oscillator Chamber Cap
6	GW9507	Cam Kit (2 & 3 Leg Cams)
7	GW9509	Idler Gear Kit (Incl. 3 Gears)
8	GW9512	Block Kit (Incl. 2 Blocks)
9	GW9513	Long Gear Shaft (Stainless Steel)
11		Set Screw #4 Self Tapping##
11A	GW9536	Shaft Kit, Stainless Steel (Incl. Set Screw)
12	GW9535	Lower Body*
13	GW9517	Lift Brush
14	GW9508	Vacuum Skirt
15	GW9522	Lift Brush Spring
16	GW9523	Ratchet Tab (Stainless Steel)
17	GW9004	Oscillator Seal Kit (Incl. 2 Seals)
18	GW9503	Oscillator Assembly Kit (Incl. Key #17) (Ratchet Assembly not sold separately)
19	GW9013	Center Brush Kit (Set of 2)
NOT SHOWN		
	K1026	Vacuum Regulator
	K1023	Reducer Cone
	GW9019	Unidapt Handle
	K1027	Flow gauge
	41200-0132	Leader Hose
	59867	Hose (1m)
	800110	Hose Sectional Bulk Pack x36
	360278	Complete Head Great White 2

(*)- Includes Item Nos. 6, 11A, 13, 15, 16, two idler gears and 2-arm cam

(##)- Not available separately

RAINBOW LEAF TRAP

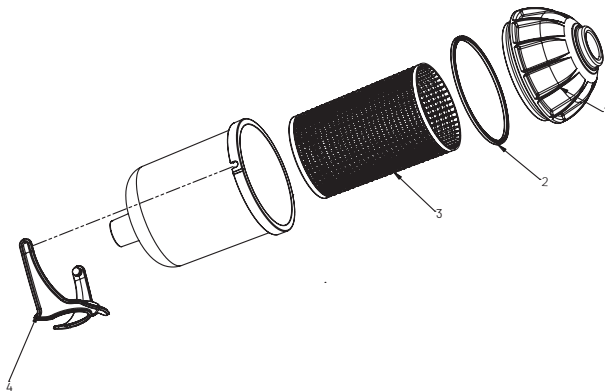
REPLACEMENT PARTS



Item	Part No.	Description
RAINBOW LEAF TRAP		
1	R18650	Lid
2	R211516	Mesh Leaf Bag
3	R211600	O-ring and Latch Kit

SMALL LEAF TRAP

REPLACEMENT PARTS



Item	Part No.	Description
SMALL LEAF TRAP		
1	Not Avail.	Lid Small Leaf Trap
2	800055	O-Ring Small Leaf Trap
3	800056	Basket Small Leaf Trap
4	800058	Buckle Small Leaf Trap

NOTES:

A series of horizontal dotted lines for taking notes.

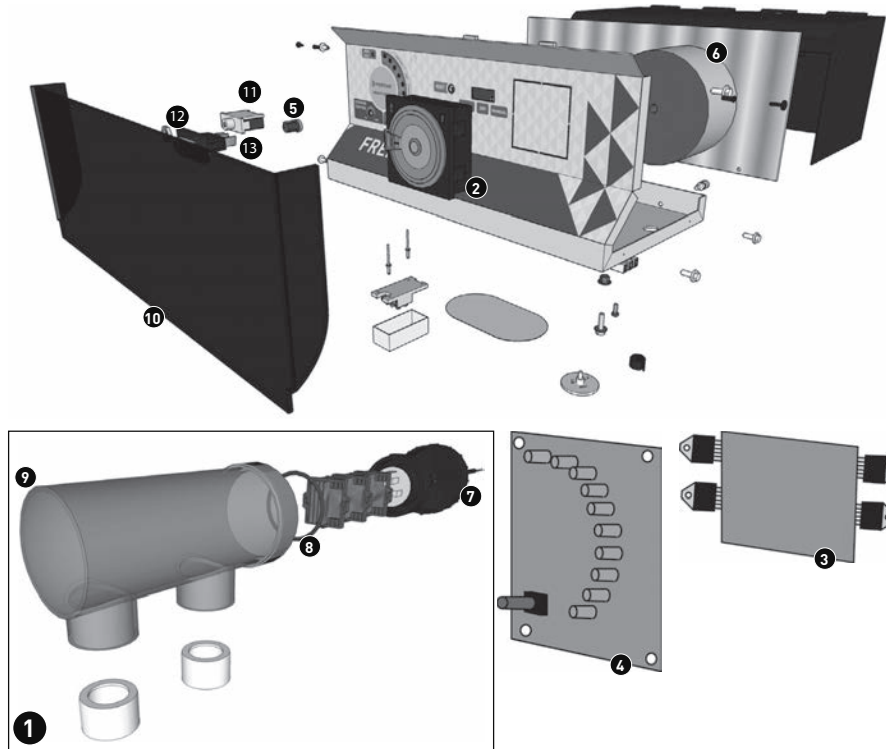


REPLACEMENT PARTS

SANITISERS

FREEFLO CHLORINATOR

REPLACEMENT PARTS



Item	Part No.	Description
FREEFLO SALT WATER CHLORINATOR PARTS		
1	801933	Replacement Cell 15g (3 Plates)
1	801934	Replacement Cell 25g (5 Plates)
1	801935	Replacement Cell 35g (7 Plates)
1	801972	Replacement Cell 50g/hr
2	801974	Battery Back-up Time Clock with Wire Kit (Digital)
3	801937	Power PCB Kit
4	801938	Control PCB Kit
5	801939	Control PCB Knob
6	801940	Transformer
7	801941	Cell Lock Nut
8	801942	O-ring Cell Union
9	801943	Cell Casing
10	801944	Perspex Cover
11	801948	Overload
12	801970	Rocker Cover
13	801971	Rocker Switch
NOT SHOWN		
	801959	Mounting Plate
	801947	Blanking Cap
	800100	Junction Box
	800116	POWER PACK FREEFLO 15G/HR
	800117	POWER PACK FREEFLO 25G/HR
	800118	POWER PACK FREEFLO 35G/HR

SR SERIES CHLORINATOR

REPLACEMENT PARTS

Part No.	Description
SR SERIES CHLORINATOR PARTS	
800034	CELL HOUSING SR CHLORINATOR
800035	CELL SR 20 CHLORINATOR
800036	CELL SR 30 CHLORINATOR
800203	CELL SR 45 CHLORINATOR
800178	CELL SR 60 CHLORINATOR
800033	NUT CELL SR CHLORINATOR
800032	O-RING CELL SR CHLORINATOR
800123	SQUEEZE TUBE SR-PH

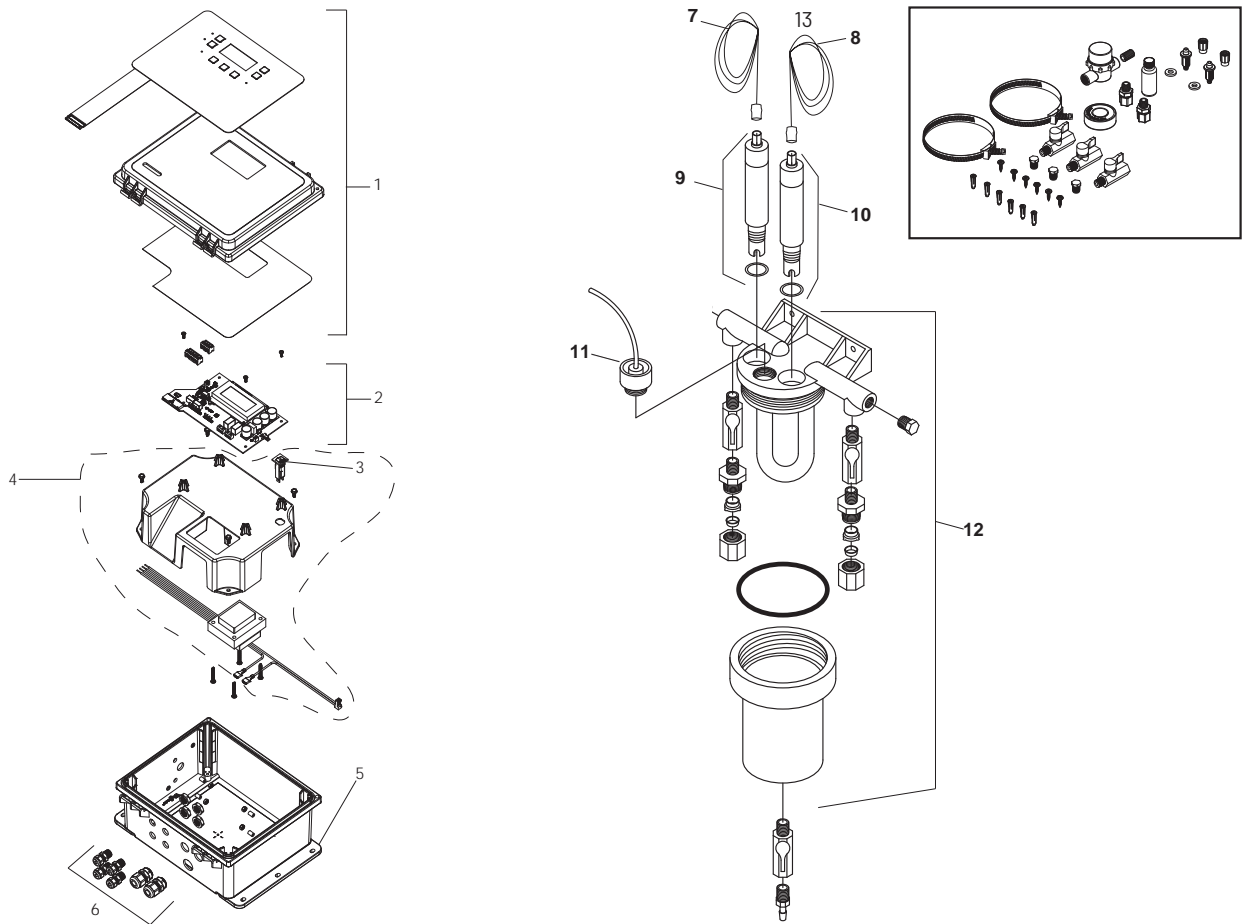
SOLENOID DOSING SYSTEM

REPLACEMENT PARTS

Part No.	Description
SOLENOID DOSING REPLACEMENT PARTS	
800024	SADDLE CLAMP
800021	TUBE FEED
801931	FEED PIPE WITH LEVEL SENSOR
801962	BUFFER SOLUTION ORP SOL DOSER
801960	KIT BUFFER PH SOL DOSER
801963	PROBE ORP SOL DOSER
800022	INJECTION VALVE
801961	PROBE Ph SOL DOSER

INTELLICHEM CHEMICAL CONTROLLER

REPLACEMENT PARTS

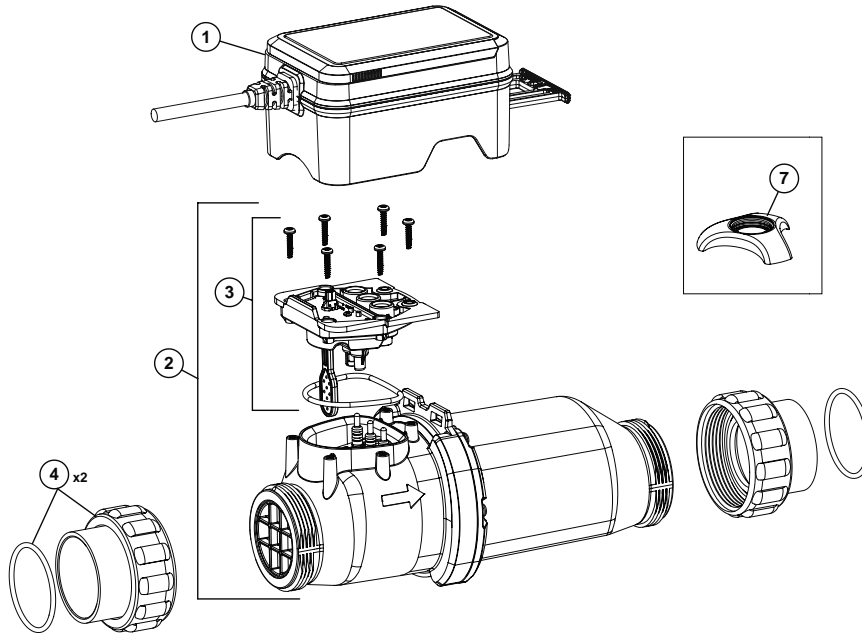


Item	Part No.	Description
INTELLICHEM CHEMICAL CONTROLLER REPLACEMENT PARTS		
1	521465Z	Lid with overlay and wiring diagram
2	521319Z	PCBA Replacement IntelliChem
3	8520031Z	Circuit Breaker Replacement 3A IntelliChem IT ET
4	521335Z	Replacement Transformer with Mounting Plate
5	521467Z	Enclosure mounting brackets.
6	521468Z	Strain relief kit
7	744000290	Cable pH, 10 ft.
8	744000360	Cable ORP, 10 ft.
9	522186Z	Sensor pH
10	522187Z	Sensor ORP
11	522623Z	Flow Switch Replacement
12	754000310	Flow Cell with Flow Sensor
13	521342Z	Bag Parts Replacement IntelliChem

Item	Part No.	Description
NOT SHOWN		
	801930	Peristaltic Pump
	521814	3/8 in. Black Tubing Replacement Kit (20 ft. Length)
	801932	Spare Rotor Tube for Peristaltic Pump
	800024	Saddle Clamp for Peristaltic Pump
	800023	Cover Peristaltic Pump
	800021	Feed Tube Peristaltic Pump 2m
	800022	Injection Valve Peristaltic Pump
	800020	Roller Peristaltic Pump
	800133	Bearing Peristaltic Pump

INTELLICHLOR PLUS

REPLACEMENT PARTS

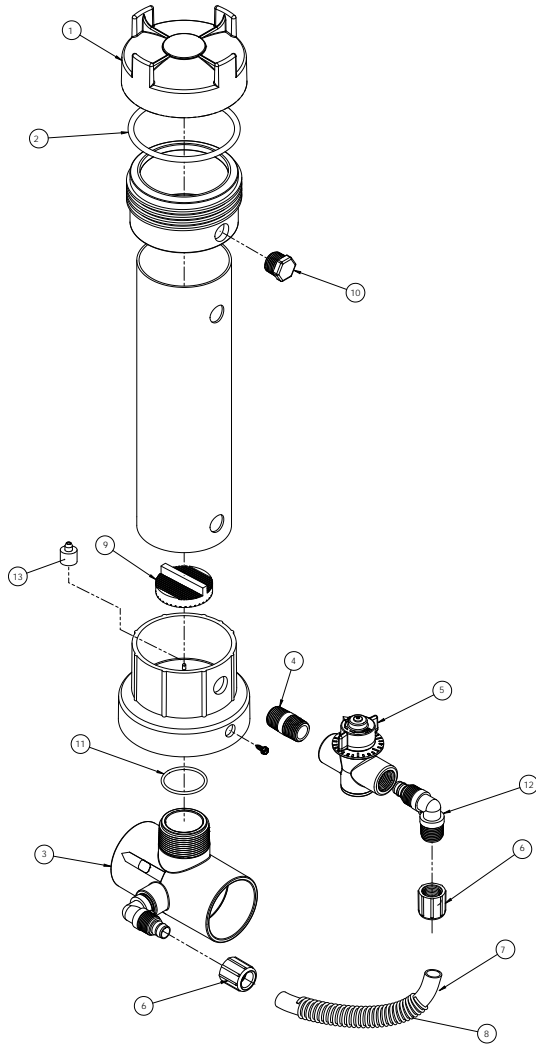


Item	Part No.	Description
INTELLICHLOR REPLACEMENT PARTS		
1	523770	Controller Assembly, PLUS
2	523767	Cell Assembly, LT15
2	523764	Cell Assembly, PLUS30
2	523765	Cell Assembly, PLUS40
2	523827	Cell Assembly, PLUS60
3	523769	Sensor Module Kit
4	520595	Union Kit (Qty. 2)
7	523103	Acid Cleaning Kit

Item	Part No.	Description
NOT SHOWN		
	700022	Transformer IntelliChlor
	521593	PCBA IntelliChlor
523759		Accessory Kit (includes) Controller Cover, Controller Retaining Clip, Sensor Module Screws, and Sensor Module O-ring

RAINBOW CHEMICAL FEEDER

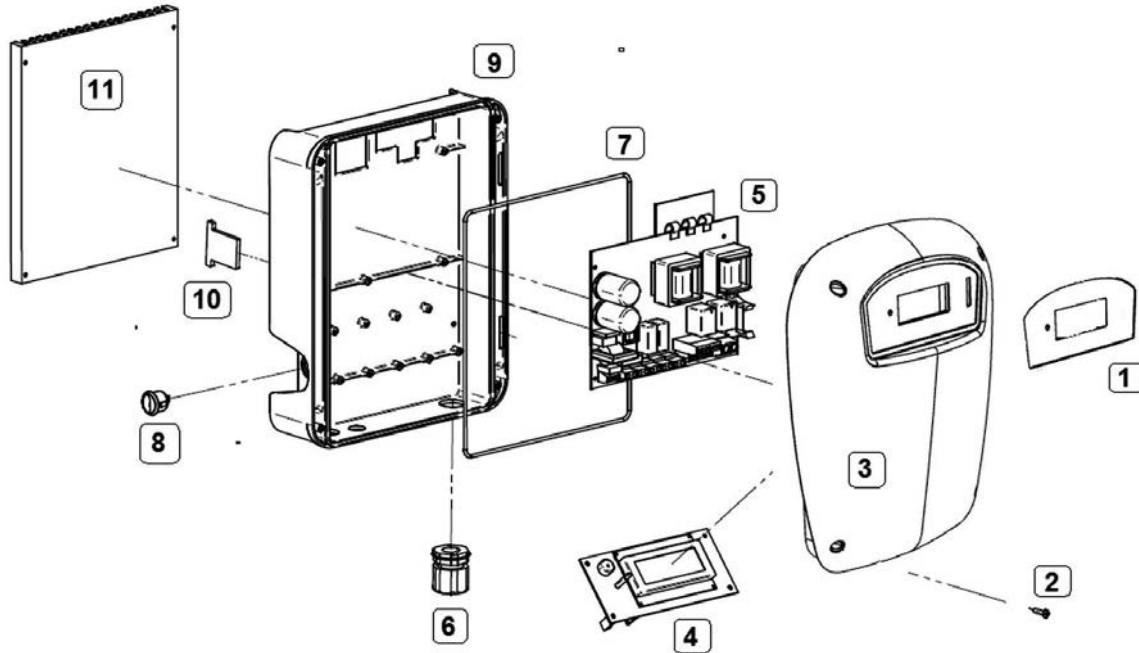
REPLACEMENT PARTS



Item	Part No.	Description
INTELLICHEM CHEMICAL CONTROLLER REPLACEMENT PARTS		
1	R172008W	LID 300/320 FEEDER
2	R172009	O-RING VITON 300/320 FEEDER
3	R172317	DIVERTER TEE 50MM
4	R172256	NIPPLE 1/2" X SHORT-MPT
5	R172086	VALVE CONTROL 1/2"
6	R172272	TUBE FITTING W/NUT 1/2"
7	R172091	Tube Black 5/8x1/2x73/8
8	R171097	Spring Tube Support
9	R172255	SCREEN
10	R172134	PLUG 1/2"
11	R172319	O-RING
12	R172272	TUBE FITTING W/NUT 1/2" ELBOW
13	R172248	CHECK VALVE 1/2" FOR 320 FEEDER
NOT SHOWN		
	R172324NS	CHECK VALVE FOR 300 FEEDER

POSI-CHLOR

REPLACEMENT PARTS



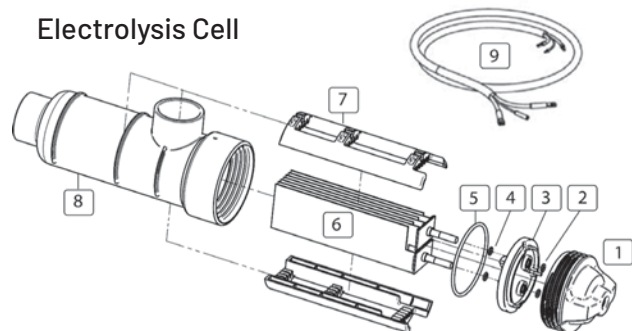
Item	Part No.	Description
POSI-CHLOR REPLACEMENT PARTS		
1	811010	Keypad
2	N/A	Screw - See cover
3	811011	Cover
4	811012	PCB - Contol
5	811013	PCB - Power
6	N/A	Cable entry gland
7	811014	Gasket
8	811015	Switch

Item	Part No.	Description
ELECTROLYSIS CELL REPLACEMENT PARTS		
1	811017	Screw Cap - Cell
2	N/A	Nut
3	N/A	Washer
4	N/A	O-Ring - Pin
5	811018	O-Ring - Cell Housing
6	N/A	Electrolysis plates
7	N/A	Cell spacer
8	811019	Cell housing
9	N/A	Cell Cable
-	811020	Cell 15g/hr (incl. 1-7 & 9)
-	811021	Cell 25g/hr (incl. 1-7 & 9)
-	811022	Cell 35g/hr (incl. 1-7 & 9)

Item	Part No.	Description
POSI-CHLOR REPLACEMENT PARTS		
9	N/A	Base cabinet
10	N/A	Hinge - See cover
11	N/A	Heat sink
-	811016	POWER CENTER PCL-15 PHORP
-	811028	POWER CENTER PCL-25 PHORP
-	811029	POWER CENTER PCL-35 PHORP

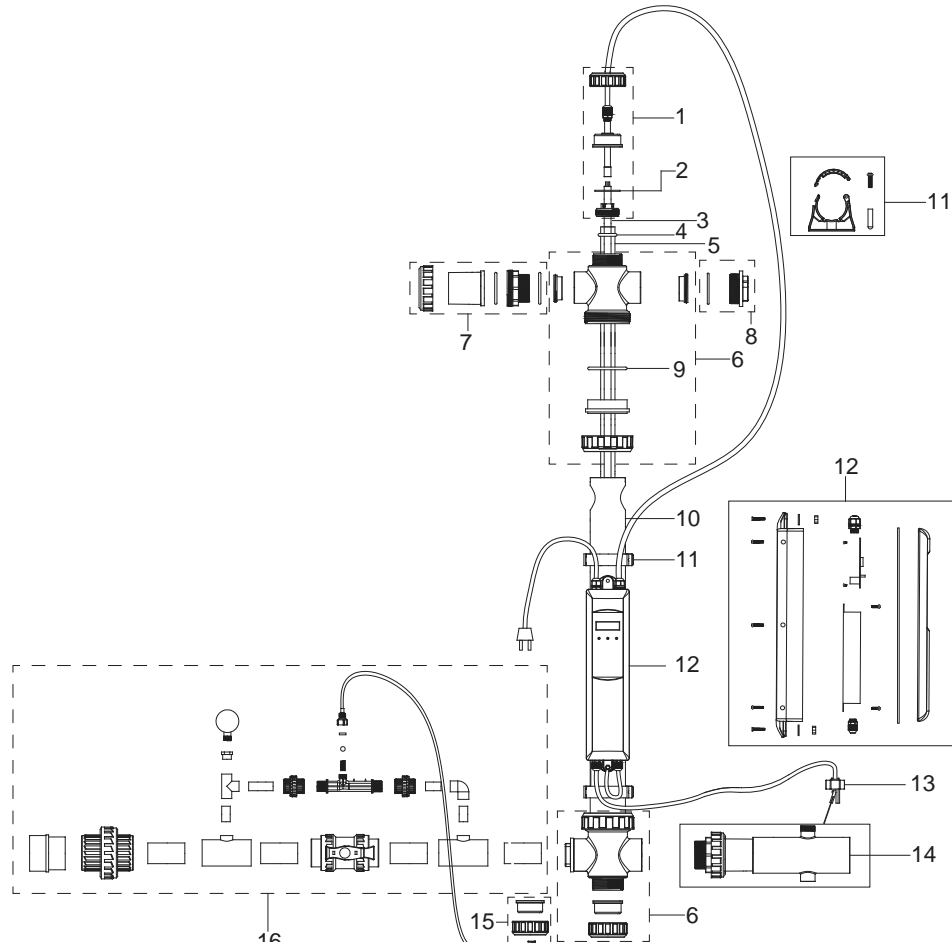
Item	Part No.	Description
PHORP ACCESSORIES		
	811031	FLOW SWITCH KIT POSI-CHLOR
	811026	PH PROBE
	811027	ORP PROBE

Electrolysis Cell



PURASHIELD UV & OZONE

REPLACEMENT PARTS



Item	Part No.	Description
PURASHIELD REPLACEMENT PARTS		
1	800840	Adaptor end cap kit UV (includes 1,2,4 and 23)
	800853	Adaptor end cap kit UV+O3 (includes 1,2,4 and 23)
2	800841	O-ring lamp connector
3	800842	UV Lamp 130W
	800854	UV Lamp 87W
	800859	UV Lamp 75W
4	800843	O-RING QUARTZ SLEEVE 130W 30x6MM
4	800855	O-RING QUARTZ SLEEVE 87W 24.8X5.2MM
5	800844	
	800856	QUARTZ SLEEVE 87W
	800860	QUARTZ SLEEVE 75W
6	800845	CROSS ADAPTOR KIT

Item	Part No.	Description
7	800755	UNION KIT
8	800846	SIGHT GLASS KIT
9	800847	O-RING UV BODY 76x6MM
10	800848	Stainless steel body
11	800849	PIPE CLAMPS
12	800850	UV BALLAST KIT 130W
	800851	UV BALLAST KIT 87W
	800862	UV BALLAST KIT 75W
13	800858	Flow switch
15	800860	Ozone Nozzle and Cap
16	800857	Ozone Venturi Kit

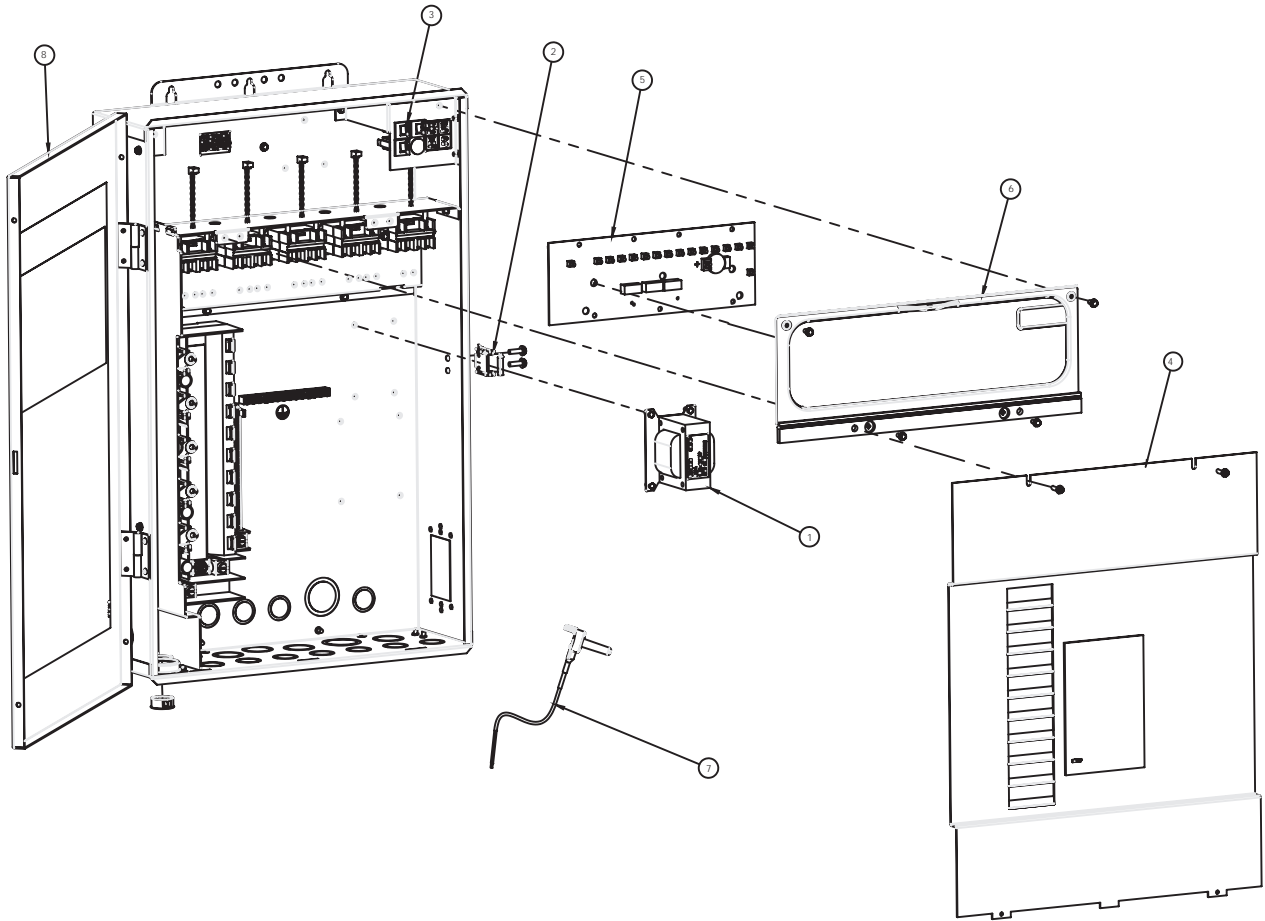


REPLACEMENT PARTS

POOL AUTOMATION

INTELLICENTER

REPLACEMENT PARTS

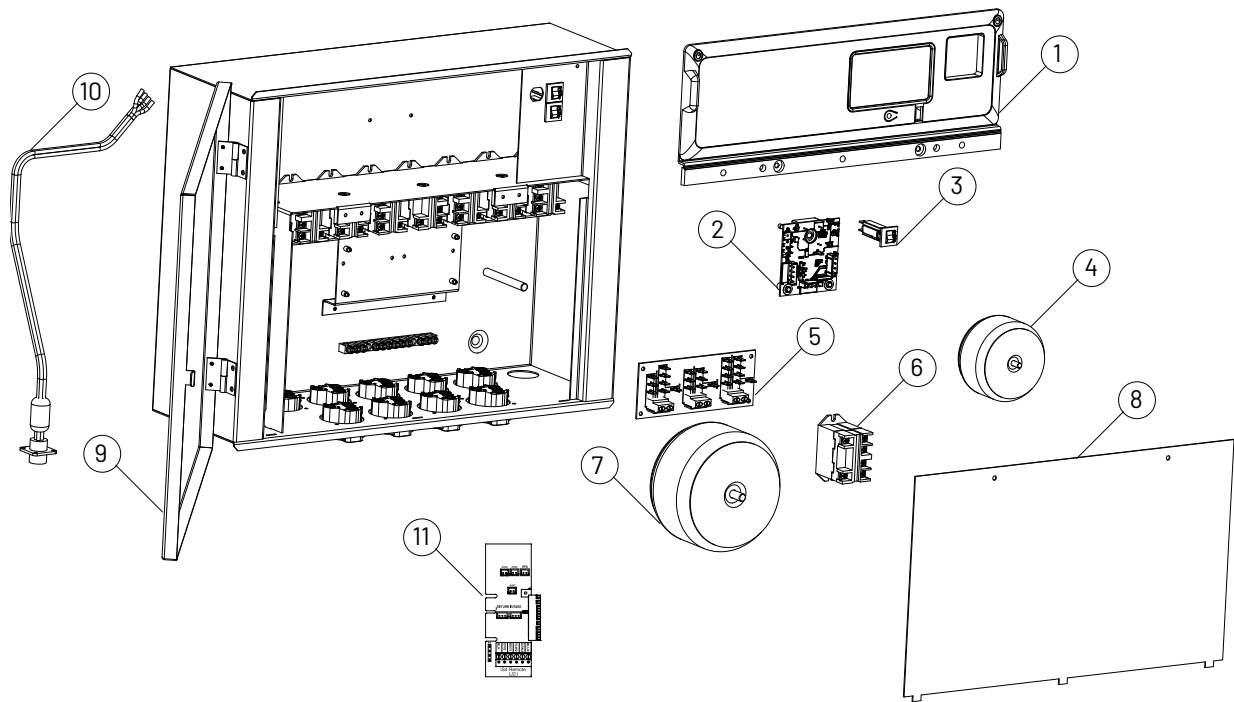


Item	Part No.	Description
NEW INTELLICENTER AUTOMATION REPLACEMENT PARTS		
1	700021	TRANSFORMER INTELLICENTER
3	8520031	REPLACEMENT CIRCUIT BREAKER
5	523050	MOTHER BOARD, UNIVERSAL AND BEZEL
5	521968	CIRCUIT BOARD, i8PS PERSONALITY
5	523029Z	CIRCUIT BOARD, i10D PERSONALITY
5	522997Z	CIRCUIT BOARD, i10X PERSONALITY
6	522004Z	NEW OCP BEZEL
7	520872	TEMPERATURE SENSOR KIT (WATER/AIR + CLAMPS)
7	522101	SOLAR TEMPERATURE SENSOR
NOT SHOWN		
	700022	TRANSFORMER INTELLICHLOR
	520106	RELAY 20A
	8023302	2-PIN SCREW TERMINAL (GAS HEATER)
	8023304	4-PIN SCREW TERMINAL (COM PORT)
	8023306	6-PIN SCREW TERMINAL (iS4 & TEMPERATURE)

Item	Part No.	Description
SPA COMMAND		
	521500	REPLACEMENT PLASTICS KIT
	521502	REPLACEMENT CABLE (250FT)
	521503	SET OF LABELS (WHITE)
	521504	SET OF LABELS (BLACK)
iS4		
	522082	iS4 LABEL SET (NEW STYLE)
	520173	iS4 LABEL SET (OLD STYLE)
WIRELESS REMOTE		
	522056Z	TRANSCEIVER FOR WIRELESS REMOTE
	522054	BATTERY WIRELESS REMOTE INTLICN
ACTUATORS		
	263045	VALVE ACTUATOR 180°
	520010Z	MICROSWITCH KIT
	CVASCRJ	SCREW ACTUATOR PK4

INTELLICENTER PNP

REPLACEMENT PARTS

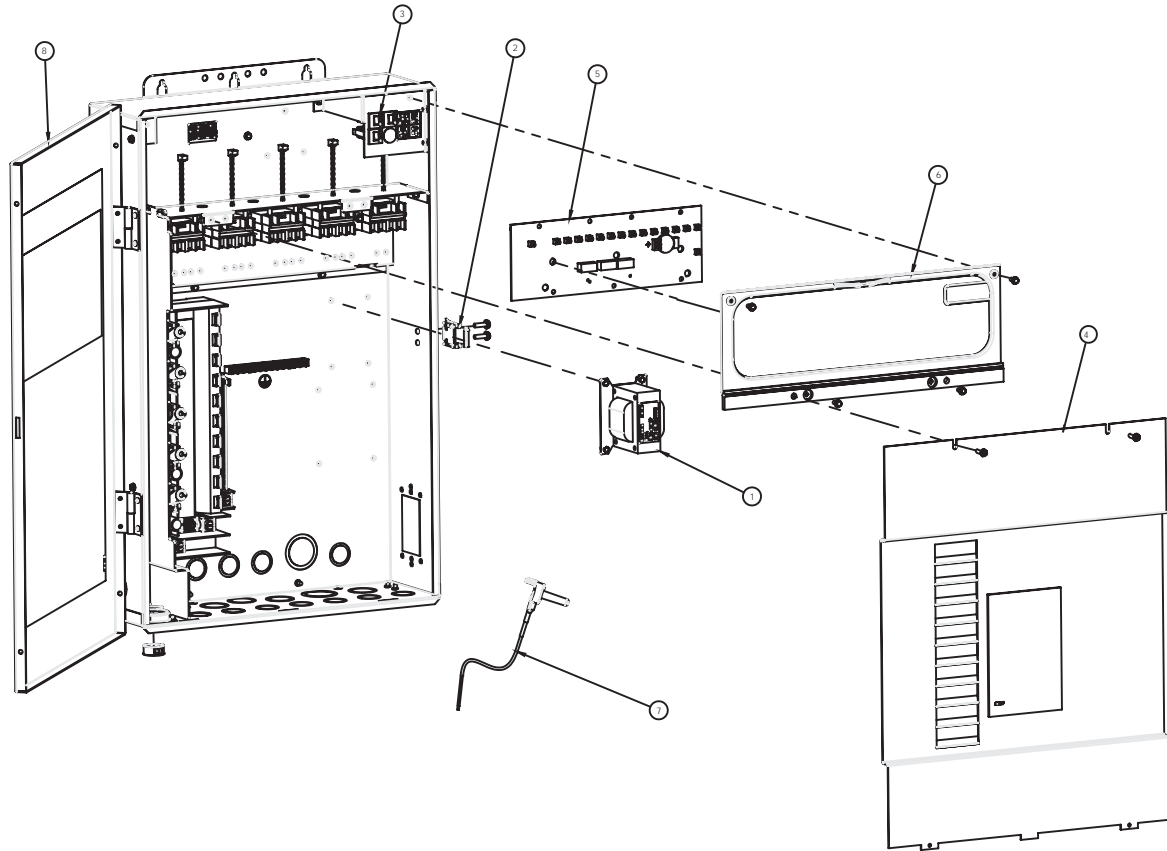


Item	Part No.	Description
NEW INTELLICENTER AUTOMATION REPLACEMENT PARTS		
1	523050	IntelliCenter Main Board (i5P) and bezel assembly
2	521593	IntelliChlor SCG PCBA
3	8520031	Circuit Breaker 3A
3	521142	Circuit Breaker 12A
4	700011	Transformer Control 18V/24V
5	700166	Power Connection Board
6	523543	High Voltage Relay 20A
7	700036	Transformer IntelliChlor SCG 28V
8	700198B	High Voltage Cover Panel
9	700198C	Enclosure Door
10	19113-AU	IntelliChlor SCG Cable
11	521968	PCB Personality Board i8PS
11	523029	PCB Personality Board i10D

Item	Part No.	Description
NOT SHOWN		
	800175	Mounting Kit (4x screws, 4x plugs)
	520872	Temperature Sensor Kit (air, water and clamp)

INTELLITOUCH AUTOMATION

REPLACEMENT PARTS

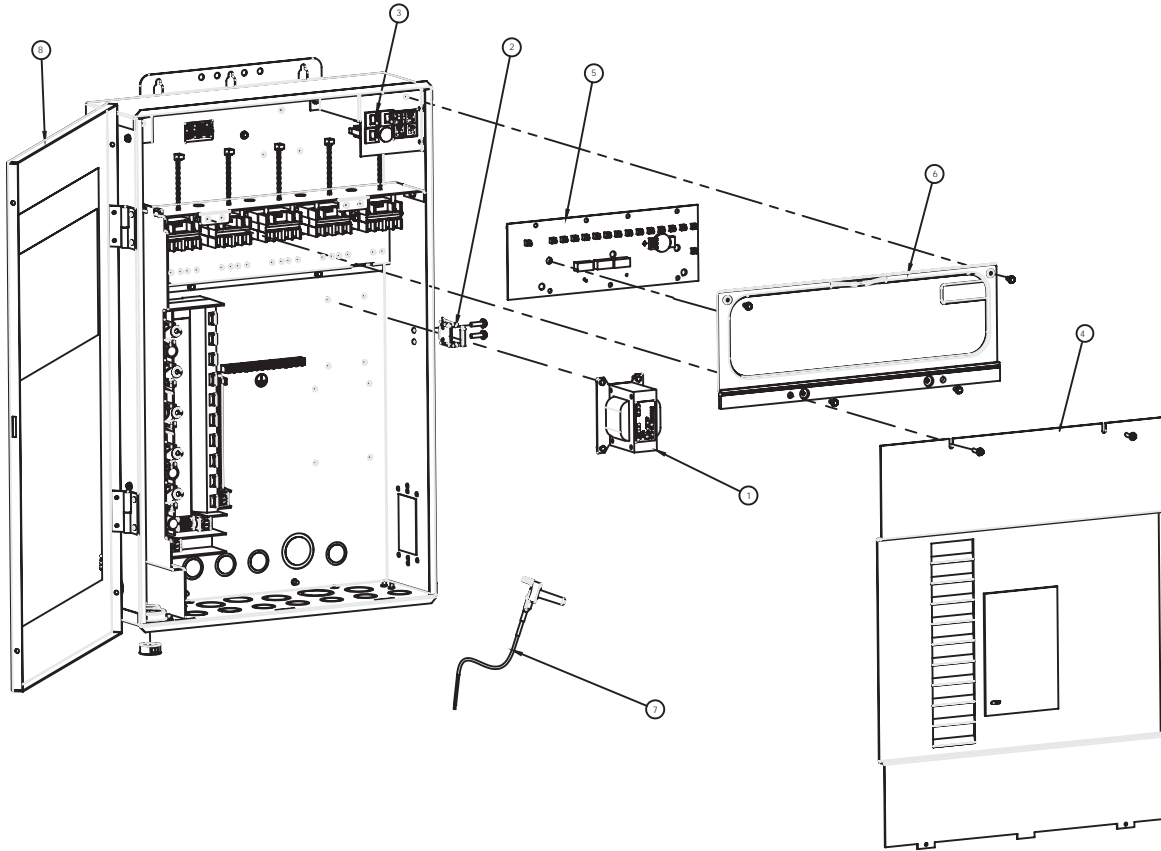


Item	Part No.	Description
INTELLITOUCH AUTOMATION REPLACEMENT PARTS		
1	521233	NEW LOAD CENTER SYSTEM XFMR
3	8520031	REPLACEMENT CIRCUIT BREAKER
5	523218-AU	INTELLICENTER I10D RETRO KIT
5	522048-AU	INTELLICENTER I10PS RETRO KIT
6	523530-AU	INTELLICENTER I10X RETRO KIT
7	520872	TEMPERATURE SENSOR KIT (WATER/AIR + CLAMPS)
7	522101	SOLAR TEMPERATURE SENSOR
NOT SHOWN		
	520106	RELAY 20A
	8023302	2-PIN SCREW TERMINAL (GAS HEATER)
	8023304	4-PIN SCREW TERMINAL (COM PORT)
	8023306	6-PIN SCREW TERMINAL (IS4 & TEMPERATURE)
	520108	4-PIN SCREW TERMINAL (ICP & SCREEN LOGIC2)
	520283	LABEL SET INTELLITOUCH POWER CENTRE x10
	800759	HEX INVERTER IC's (PACK OF 3)

Item	Part No.	Description
SPA COMMAND		
	521500	REPLACEMENT PLASTICS KIT
	521502	REPLACEMENT CABLE (250FT)
	521503	SET OF LABELS (WHITE)
	521504	SET OF LABELS (BLACK)
IS4		
	522082	IS4 LABEL SET (NEW STYLE)
	520173	IS4 LABEL SET (OLD STYLE)
ACTUATORS		
	263045	VALVE ACTUATOR 180°
	520010Z	MICROSWITCH KIT
	CVASCRJ	SCREW ACTUATOR PK4

EASYTOUCH CONTROL SYSTEMS

REPLACEMENT PARTS

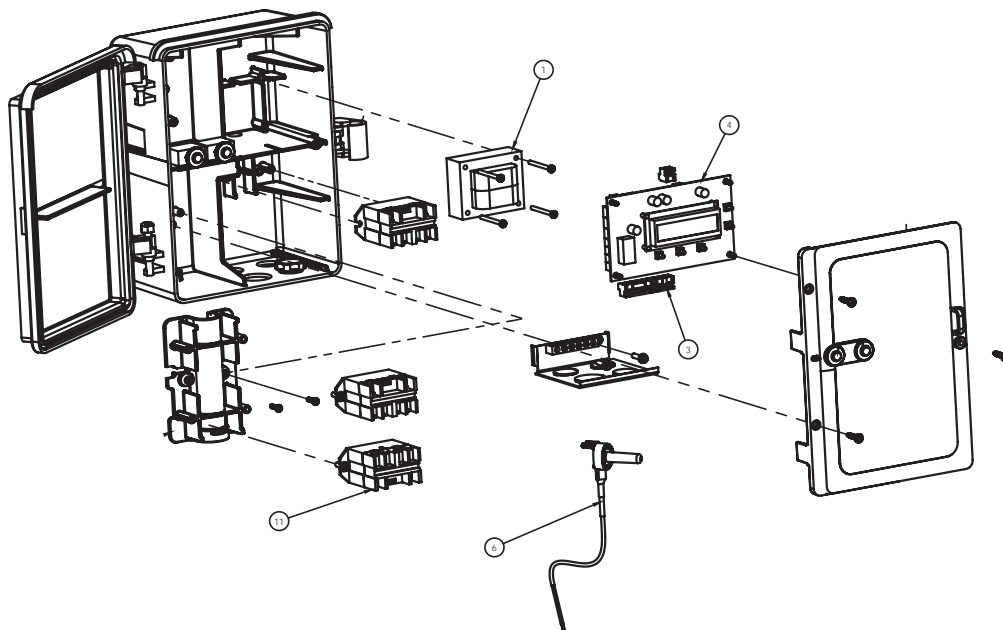


Item	Part No.	Description
EASYTOUCH CONTROL SYSTEMS REPLACEMENT PARTS		
1	521233	LOAD CENTER SYS XFMR
2	521081Z	KIT LC DOOR LATCH
3	8520031	REPLACEMENT CIRCUIT BREAKER
4	521051Z	LOAD CENTER HIGH VOLTAGE COVER PANEL
5	520657	MOTHERBOARD WITH 8 AUX(Pool & Spa)
6	521232	NEW LOAD CENTER OCP BEZEL
7	520872	TEMPERATURE SENSOR KIT (WATER/AIR + CLAMPS)
7	522101	SOLAR TEMPERATURE SENSOR
8	521227	NEW LOAD CENTER DOOR W/ET & IT LABELS
EASYTOUCH CONTROL CONTROLS REPLACEMENT PARTS		
	520946Z	EASYTOUCH TRANSCEIVER CIRCUIT BOARD WITH ATTACHED ANTENNA
	520658	INDOOR CONTROL PANEL & WIRELESS REMOTE FEATURES LABEL (Set of 10)
NOT SHOWN		
	700022	TRANSFORMER INTELLICHLOR
	8023302	2-PIN SCREW TERMINAL(GAS HEATER)
	8023304	4-PIN SCREW TERMINAL(COMPORT)
	8023306	6-PIN SCREW TERMINAL(iS4 & TEMPERATURE)

Item	Part No.	Description
	520108	4-PIN SCREW TERMINAL (ICP & SCREENLOGIC2)
	520283	LABEL SET OF 10 OUTDOOR CONTROL PANEL
	520658	LABEL SET OF 10 ICP AND WIRELESS CONTROL
	800759	HEX INVERTER IC's(PACK OF 3)
	520106	Relay 20A
SPA COMMAND		
	521500	REPLACEMENT PLASTICS KIT
	521502	REPLACEMENT CABLE (250FT)
	521503	SET OF LABELS(WHITE)
	521504	SET OF LABELS(BLACK)
iS4		
	522082	iS4 LABEL SET(NEW STYLE)
	520173	iS4 LABEL SET(OLD STYLE)
ACTUATORS		
	263045	VALVE ACTUATOR 180°
	520010Z	MICROSWITCH KIT
	CVASCRJ	SCREW ACTUATOR PK4
	707301	IP68 CABLE JOINER

SUNTOUCH CONTROL SYSTEMS

REPLACEMENT PARTS



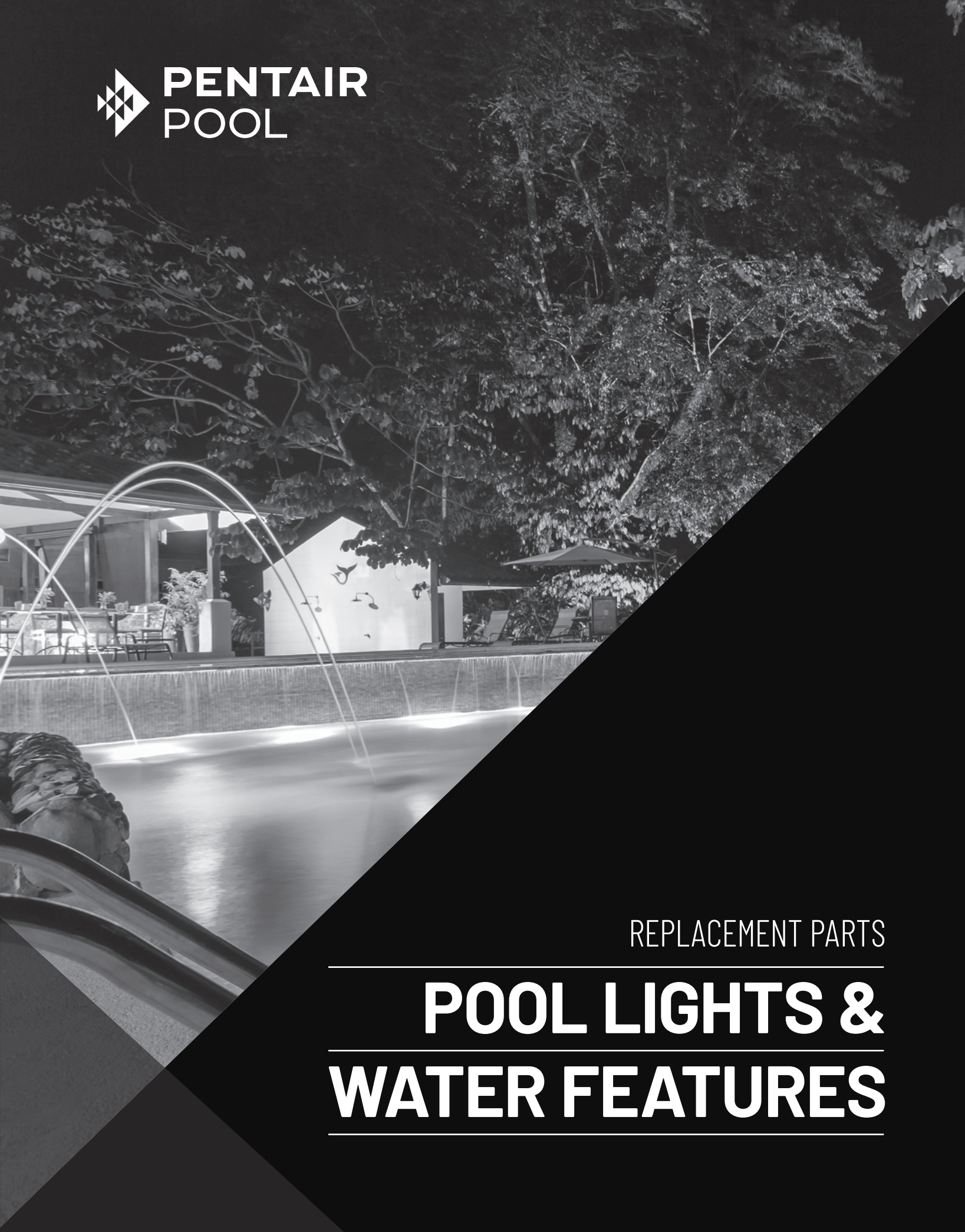
Ref.	Part No.	Description
------	----------	-------------

SUNTOUCH CONTROL SYSTEMS REPLACEMENT PARTS

1	520841Z	Transformer
3	8023304	4-POS Terminal Plug
4	520645Z	Circuit board
6	520872	TEMPERATURE SENSOR KIT (WATER/AIR + CLAMPS)
11	520106	Relay 3HP



**PENTAIR
POOL**

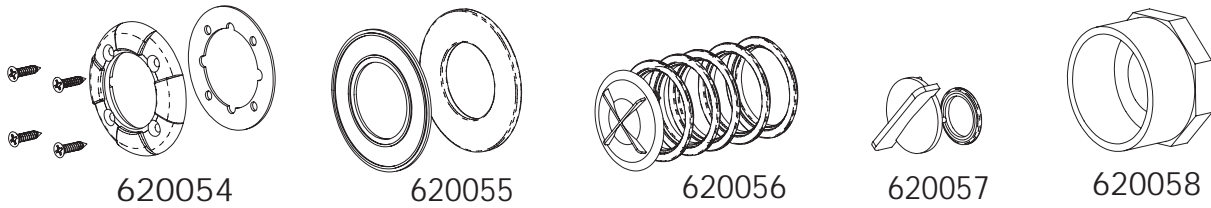


REPLACEMENT PARTS

**POOL LIGHTS &
WATER FEATURES**

GLOBRITE LED LIGHTS

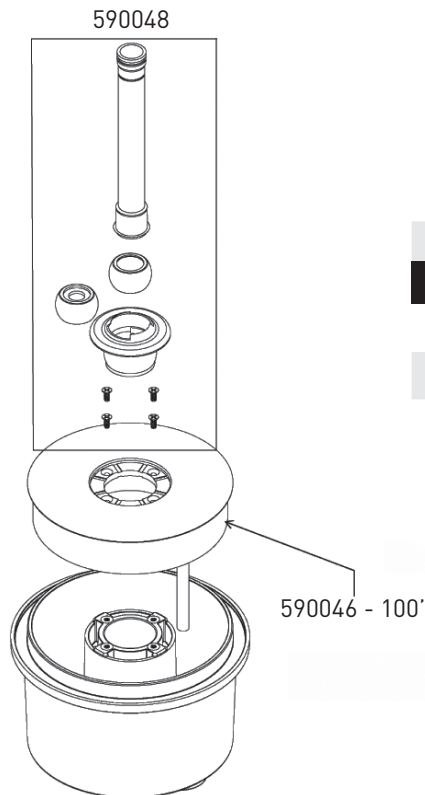
REPLACEMENT PARTS



Part No.	Description
GLOBRITE LED LIGHTS	
620054	GloBrite vinyl replacement kit (gasket, front face, screws)
620055	GloBrite fiberglass replacement kit (washer, gasket)
620056	GloBrite color ring replacement kit (color rings, plastic cover)
620057	GloBrite O-ring replacement kit (GloBrite O-ring, insertion tool, O-ring lubricant)
620058	GloBrite nut replacement kit (fiberglass/vinyl nut)

COLORCASCADE BUBBLER

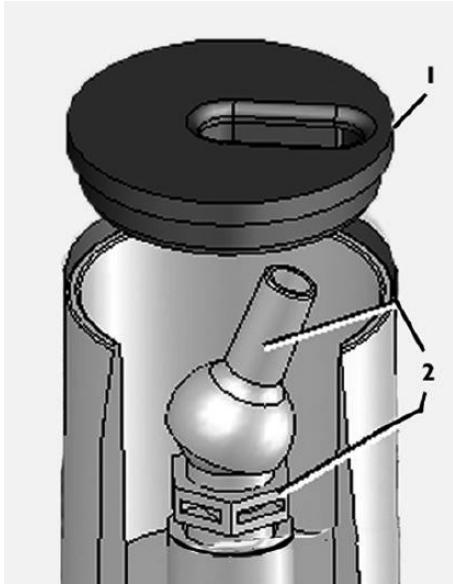
REPLACEMENT PARTS



Part No.	Description
COLORCASCADE BUBBLER	
590046	LED Bubbler replacement light engine
590048	Accessory Kit
20066	Niche

DECK JET II

REPLACEMENT PARTS



Item	Part No.	Description
Deck Jet II		
1	590042	MagicStream Deck Jet II Cover brass color, each
2	590041	MagicStream Deck Jet II Nozzle kit (Includes nozzle base and nozzle swivel, set of 4

MAGICSTREAM LAMINAR

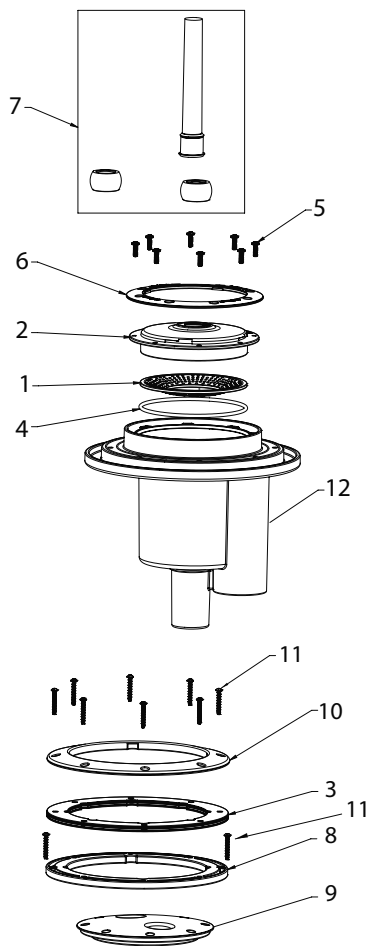
REPLACEMENT PARTS



Item	Part No.	Description
MagicStream Laminars		
1	590021	Laminar LED light engine w/ Laminar Body (complete)
3	590023	Laminar body, no light
4	590024	Laminar housing, no cover
5	590025	Laminar cover black
6	590026	Laminar cover gray
7	590027	Laminar cover tan
8	590028	Laminar screen kit
9	590029	Laminar union nut kit
10	590030	Laminar bracket kit
12	590032	Laminar orifice kit
NOT SHOWN		
	590031	Laminar hardware kit (all screws and O-rings)
	590100	Laminar Water Line Union Kit

COLORVISION BUBBLER

REPLACEMENT PARTS



Item	Part No.	Description
Colorvision Led Light Bubbler		
1	590103Z	Diffuser
2	590104Z	Lens w/ O-Ring
3	590107Z	Gasket Kit, 3 Gaskets
4	590118Z	O-Ring
5	590119Z	Screw Kit Lens
6	590105Z	Color Ring - White
7	590048	Eyeball Assy Kit
8	590109Z	Vinyl Spacer
9	590102Z	Gunite Cover w/ O-Ring
10	590106Z	Vinyl/Fiberglass Ring - White
11	590121Z	Screw Kit Vinyl/Fiberglass Ring
	602055	Globrite Light Engine



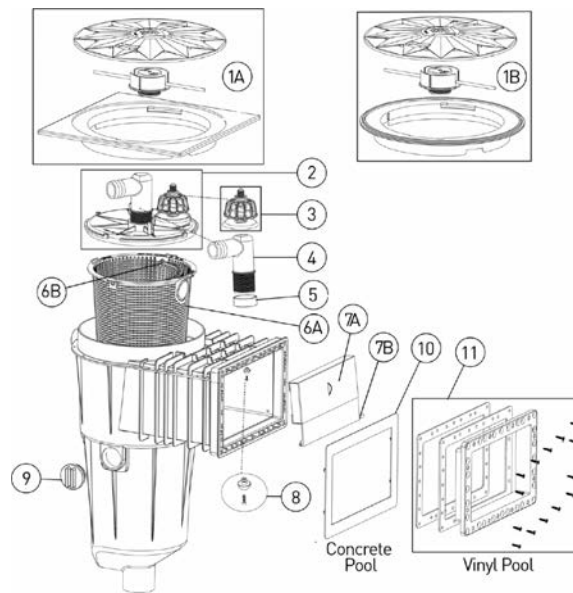
REPLACEMENT PARTS

WHITE GOODS &

VALVES

MEGASKIM POOL SKIMMER

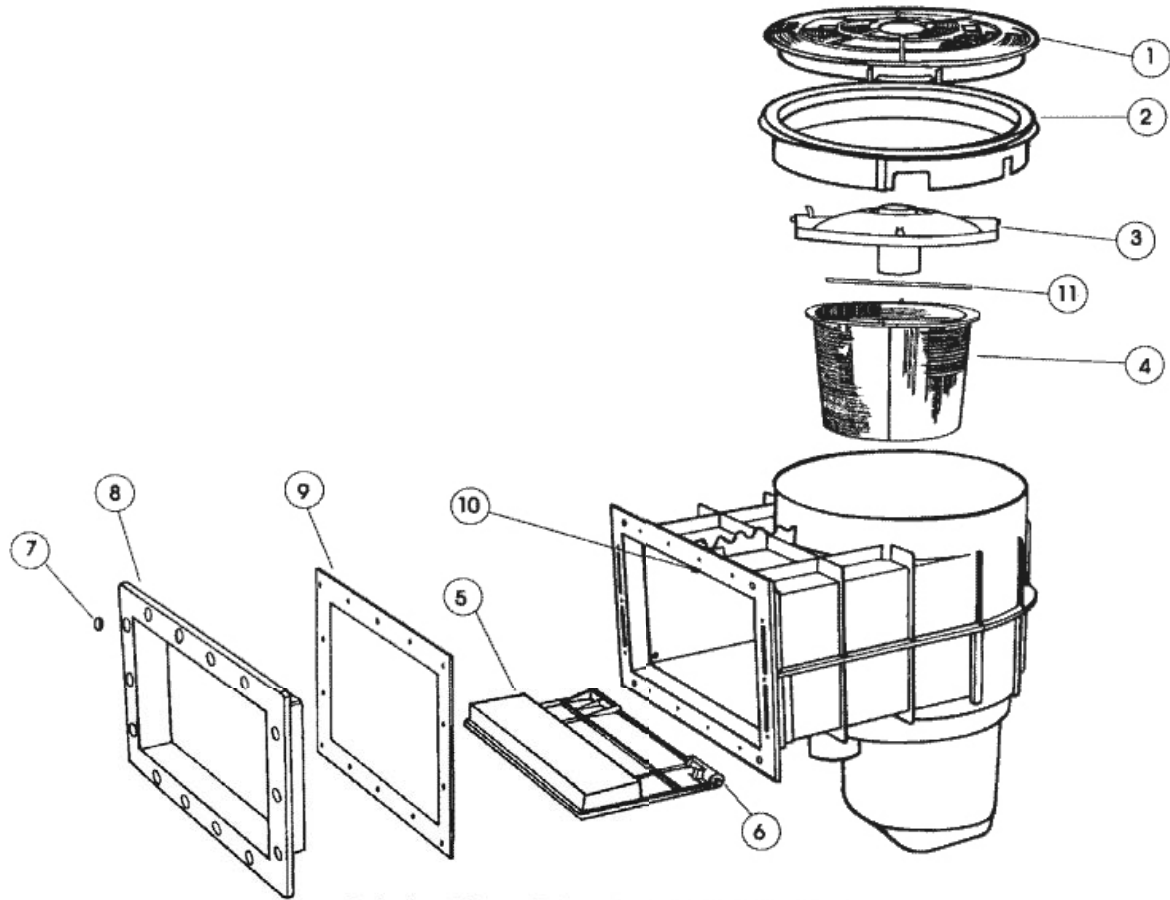
REPLACEMENT PARTS



Item	Part No.	Description
MEGASKIM SKIMMERS		
1A	810901	Deck lid & Square dress ring kit
	810903	Deck lid & Square dress ring kit Grey
1B	810902	Deck lid & Round dress ring kit
	810904	Deck lid & Round dress ring kit Grey
2	810914	Vac plate kit
3	810920	Flow valve kit
4	810936	Elbow vac port
5	810937	Washer vac port
6A	810915	Basket (includes handle)
6B	810919	Basket handle
7A	810916	Weir door kit (includes latch)
	810944	Weir door kit (includes latch) Grey
7B	810918	Latch weir door
8	810917	Weir door stopper
9	810935	Plug sideport
10	810921	Faceplate
	810945	Faceplate Grey
11	810910	Flange fiberglass / Vinyl kit
	810943	Flange fiberglass / Vinyl kit Grey
NOT SHOWN		
	810911	Extension throat
	810912	Widemouth throat
	810913	Extension Ring (Lid)
	810934	Flange extension throat - Fibreglass / vinyl kit
	810933	Flange widemouth throat - Fibreglass / vinyl kit
	810938	Face plate widemouth throat (White)
	810939	Face plate extension throat (White)
	810947	Face plate extension throat (Grey)

'QUIPTRON' SKIMMER

REPLACEMENT PARTS

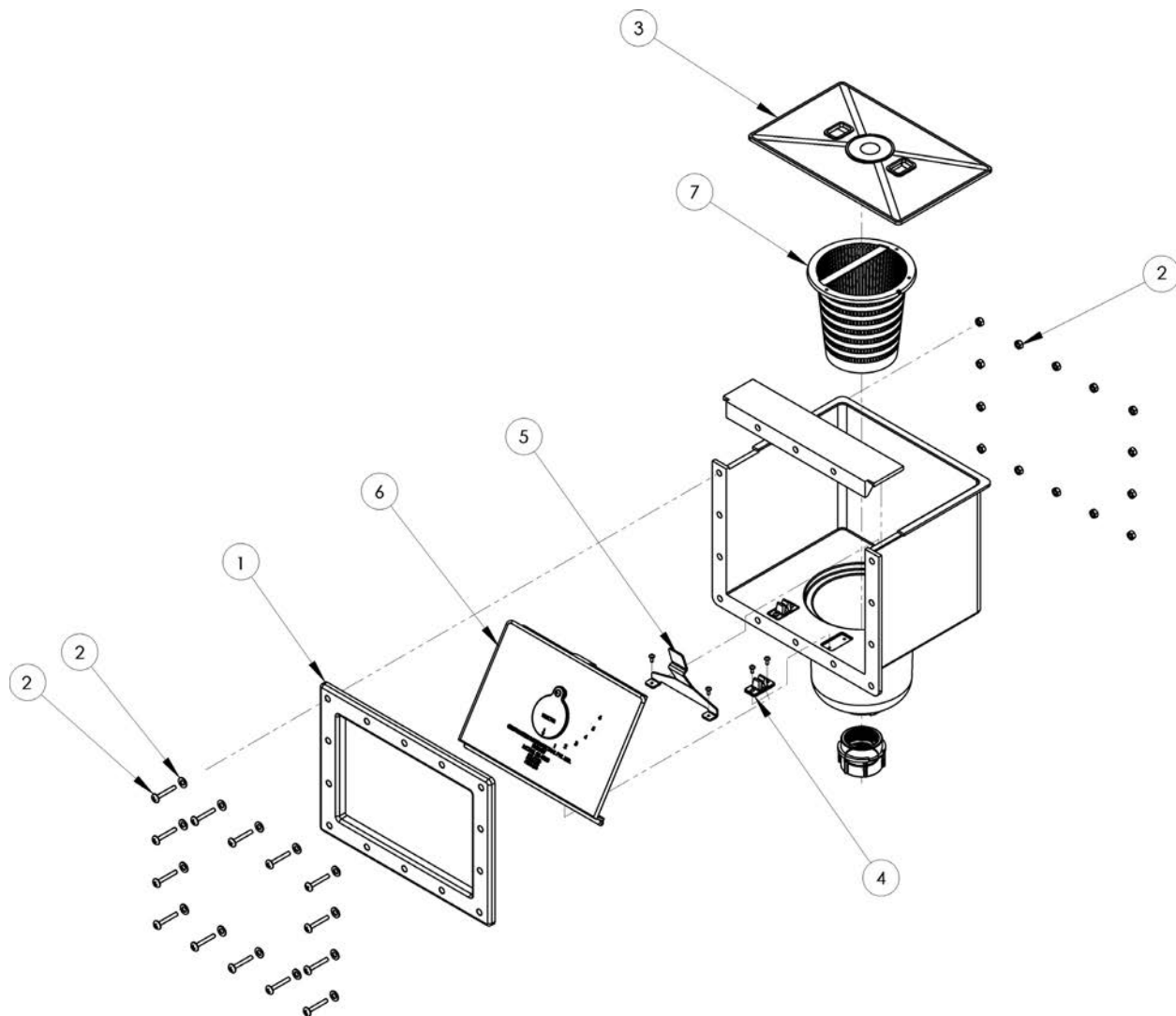


Drawing shows typical assembly, please note actual parts may vary in appearance

Item	Part No.	Description
'QUIPTRON' SKIMMERS		
1	5160900	DECK LID SKIMMER(WHITE)
1	5160901	DECK LID SKIMMER(BEIGE)
1	5160902	DECK LID SKIMMER(BROWN)
2	5160800	DRESS RING SK950 SKMR(WHITE)
2	5160801	DRESS RING SK950 SKMR(BEIGE)
2	5160802	DRESS RING SK950 SKMR(BROWN)
3	5315100	CONTROL PLATE ASSY QUIPTRON SKIMMER
4	5315200	LEAF BASKET FOR 'QUIPTRON' SKIMMER
5	5315300	WEIR DOOR QUIPTRON SKIMMER
6	5315400	LATCH ASSY. (PACK/2)QUIPTRON
7&8	5316400	QUIPTRON SKIMMER ESCUTCHEON PLATE AND PLUGS
9	5315800	GASKET QUIPTRON SKIMMER
11	6123778	BASKET HANDLE
NOT SHOWN		
	5315900	QUIPTRON SKIMMER ESCUTCHEON PLATE SCREWS
	5316500	EXTENSION THROAT QPTRN SKIMMER

SK1000 SKIMMER

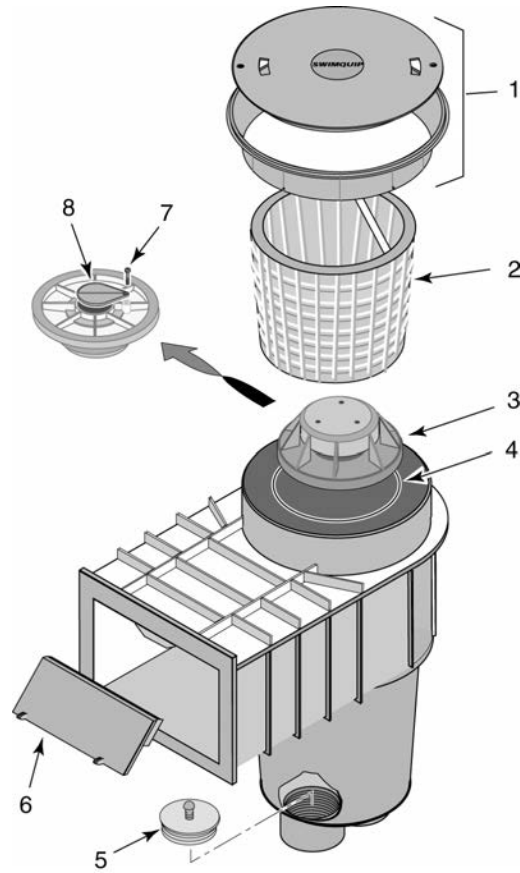
REPLACEMENT PARTS



Item	Part No.	Description
SK1000 SKIMMERS		
1	5151300	ESCUTCHEON PLATE
	5150900	ESCUTCHEON GASKET
2	5151100	ESCUTCHEON FASTENERS
3	5151000	DECK LID
4	5151400	HINGES (PACK 2) W/DOOR
5	5151900	STOP WEIR DOOR
6	5152700	WEIR DOOR
	5152750	CONTROL PLATE
7	5158700	LEAF BASKET
	1270430	BASKET HANDLE

U-3 SKIMMER

REPLACEMENT PARTS



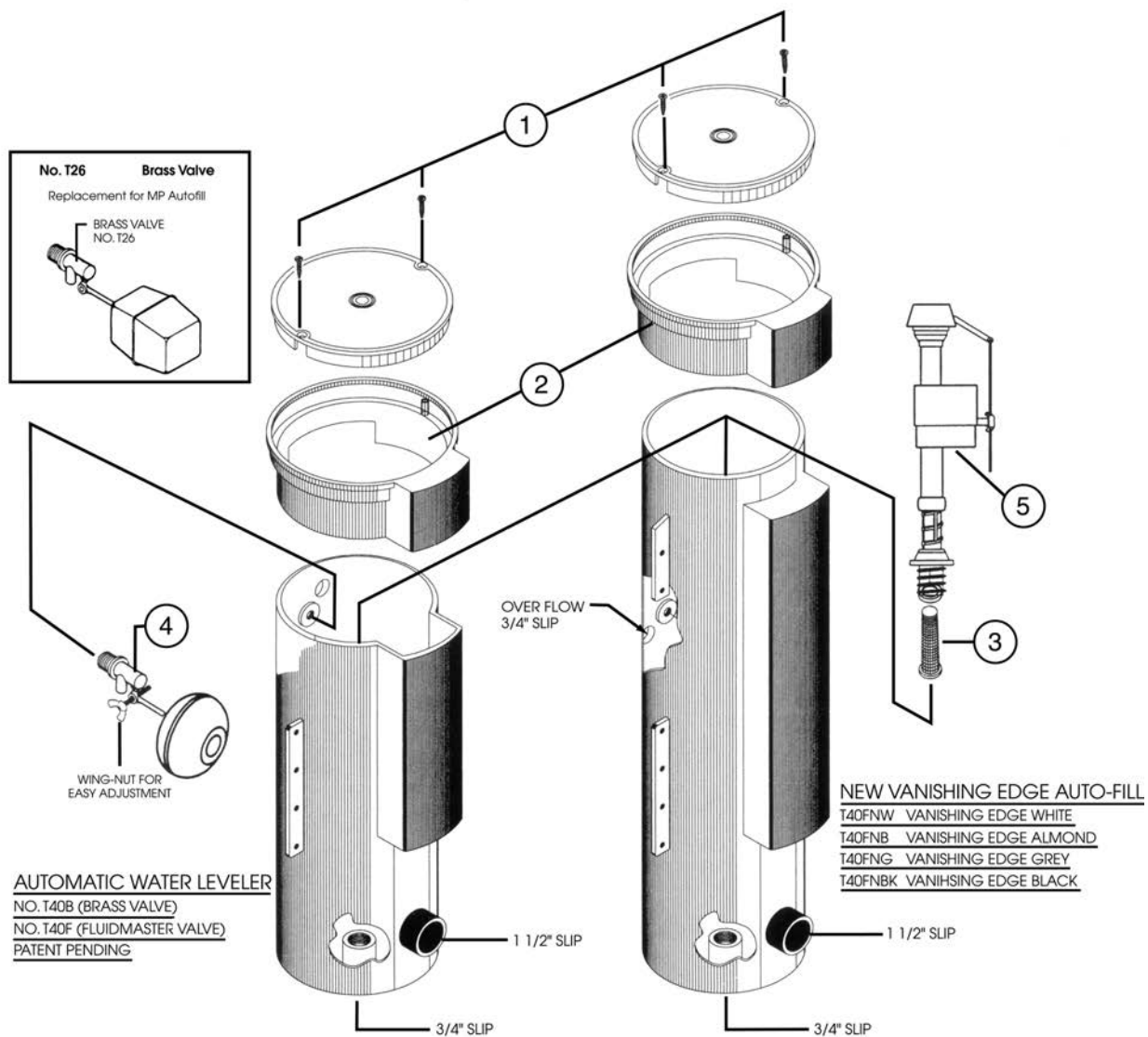
Item	Part No.	Description
U-3 SKIMMER PARTS		
1	08650-0169	Lid and Collar - White
1	08650-0159	Lid and Collar - Tan
2	08650-0007	Basket and Handle
3	08650-0079	Float Assembly with O-Ring ¹
4	35505-1273	Float O-Ring Only ¹
5	08655-0017	Check Valve ¹
6	08650-0022	Weir Assembly
7	37207-0027	Screw, #8 x 1/2 in. ¹
8	08650-0048	Trimmer Plate ¹
NOT SHOWN		
	U9-366	Gasket 2
	WC2-8P	Face Plate ²
	09655-0010	Skimmer Spacer Block ²
	08650-0042	Vacuum Plate ¹
	WC37-503P	Skimmer Extension Collar ²

¹ For Use on Residential U-3 Skimmer Models.
Must purchase if skimmer does not come with a float.

² For Use on Vinyl Liner Skimmers.

AUTOMATIC WATER FILLERS

REPLACEMENT PARTS



Item	Part No.	Description
AUTOMATIC WATER FILLERS		
1	T10W	AutoFill lid, with screws, white
1	T10B	AutoFill lid, with screws, almond
1	T10BK	AutoFill lid, with screws, black
2	T16W	AutoFill top ring, white
2	T16B	AutoFill top ring, almond
2	T16BK	AutoFill top ring, black
3	T24	Debris screen w/washer
5	T29	Fluidmaster® valve

BROCHURE REFERENCE GUIDE

DESCRIPTION	LITERATURE NUMBER
AUTOMATION	
EASYTOUCH PNP	L300275
INTELLICENTER	L300315
INTELLILEVEL	L300297
INTELLIVALVE	L300264
EASYTOUCH	L300194X
SCREENLOGIC	L300223X
SUNTOUCH CONTROL SYSTEM	L300199X
CLEANERS	
GREAT WHITE 2	L300287
PROWLER	L300279
RACER LS	L300261
REBEL 2	L300303
RACER CLEANER	L300235X
HAMMERHEAD	L300155X
LIL' SHARK POOL CLEANER	L300173X
MAKO SHARK	L300198X
SAND SHARK POOL CLEANER	L300166X
POOL SHARK POOL CLEANER	L300174X
LEGEND	L300191X
FILTERS	
FREEFLO CARTRIDGE FILTER	L300259
FREEFLO SANDFILTER	L300313
POSI-CLEAR	L300232X
CLEAN AND CLEAR	L300154
LIESURETIME FIBREGLASS S FILTER	L300219X
PANTERA SERIES 11 SAND FILTER	L300125X
TAGELUS SAND FILTER	L300168X
TRITON SAND FILTER	L300169X

DESCRIPTION	LITERATURE NUMBER
HEATERS	
MASTERTEMP	L300206X
ULTRATEMP HXi/VXi INVERTER HEAT PUMPS	L300340
LIGHTS	
COLORVISION	L300299
MAGICSTREAM LAMINARS	L300236
GLOBRITE LED	L300224X
PUMPS	
5PSP PUMP	L300256X
ENVIROMAX PUMP	L300295
INTELLIFLO 2VSF	L300291
INTELLIFLO XF	L300312
MAX-E-PRO	L300221X
MAX-E-PRO XF VS 5HP	L300311
PANTERA EVO PUMP	L300268
WHISPERFLO XF	L300316
LEISURETIME POOL PUMP	L300307
PANTERA ECO VS 800	L300323
PANTERA POOL PUMPS	L300034X
SILENTFLO	L300124X
WHISPERFLO	L300190X
SANITISERS	
PURASHIELD UV & OZONE SANITISER	L300365
STA-RITE SR CHLORINATOR	L300270
FREEFLO CHLORINATOR	L300243X
INTELLICHEM	L300226X
POSI-CHLOR SALT WATER CHLORINATOR	L300336
WHITE GOODS	
MEGASKIM POOL SKIMMER	L300254

PENTAIR STA-RITE

SILENTFLO™ POOL PUMP

QUIETNESS & EFFICIENCY TAKEN BEYOND.

Super quiet hydraulic design, enabling you to enjoy the party without disturbing your neighbours and even your dog. The advanced off-line pump starts, delivering silent hydraulic shock. The ultra-efficient motor has built-in lower maintenance bearing design.

PENTAIRPOOL.COM.AU

PENTAIR ONGA®

FREEFLO™ SAND FILTER

FOR MAXIMUM WATER CLARITY.

Back in the news, water used filtration method for swimming pools. Considering the importance of water quality for the health of your pool and family, the Freeflo™ Sand Filter is a true legend. It's built with advanced backwash technology, ensuring maximum water clarity, easy to operate control valve selection and superior water clarity. The biggest reason for making it a legend. Backflow. The additional feature time you just save when using your pool.

PENTAIRPOOL.COM.AU

PENTAIR

REBEL® 2 AUTOMATIC VACUUM POOL CLEANER

JOIN THE TWO-WHEEL REVOLUTION IN THE FIGHT AGAINST HARD-TO-CLEAN DEBRIS.

The Rebel® 2 cleaner packs amazing performance into a compact, sleek and simple package. Its advanced steering and two-wheel design allows the Rebel® 2 cleaner to access hard-to-reach corners where debris often hides.

PENTAIRPOOL.COM.AU

PENTAIR

ULTRATEMP HIGH-PERFORMANCE INVERTER HEAT PUMPS

BEST OF POWER & EFFICIENCY.

Power your pool's heating and cooling with the best in energy efficiency. UltraTemp's advanced inverter technology provides the most efficient and reliable heat pump on the market. The ultra-efficient LED display and the IntelliTemp control are all at the heart.

PENTAIRPOOL.COM.AU

To order literatures, please call Customer Service at **1300 137 344** or email: **au.sales@pentair.com**



1-21 Monash Drive, Dandenong South, VIC 3175 Australia | 1300 137 344 | pentairpool.com.au

Information contained here-in remains the property of Pentair under Australian copyrights law. Any reproduction, display, publication, modification or distribution is strictly prohibited without the prior written permission of Pentair.

Disclaimer: Pentair reserves the right to change product specifications and products details.
All product images are for reference purposes only and may not represent actual and/or current product.

©2026 Pentair. All rights reserved.