

# SUPERLOCK 2.0 SURFACE MOUNTED RAPIDRESET GATE LOCK DOUBLE-SIDED

## Specification Sheet BDGWRR 2.0

### FEATURES

- Surface mounted fixing for quick installation.
- Reliable: RapidReset feature enables you to change codes in just 10 seconds.
- No power needed: High quality mechanical keypads ensure long lasting durability.
- Secure Latching: Latchbolt is adjustable in length for precise fitting on site. Moves 20mm (3/4").

### PRODUCT DETAILS

Product code	Description
BDGWRRRL	Left-handed keypad on both sides
BDGWRRR	Right-handed keypad on both sides
<b>Compatible with:</b> Superlock Keeps ( <a href="#">BSK</a> , <a href="#">BSKS</a> , <a href="#">BSKG</a> )	



### INCLUDED IN THE BOX

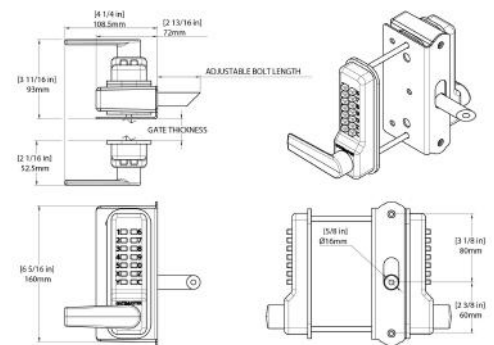
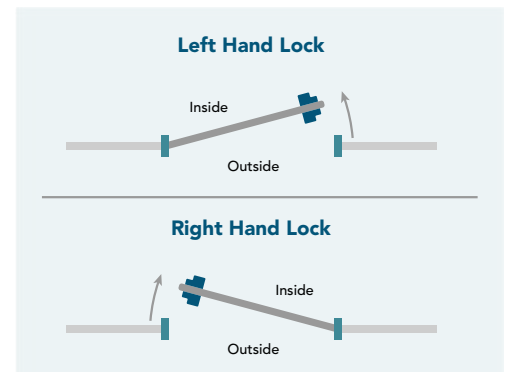
- 2.5mm hex key + 3mm hex key
- Latchbolt
- M8 fixing bolts
- Face plate
- Gate bracket with fixings
- Keep with fixings
- Outward opening keep conversion plate

### INSTALLATION

1. Position L bracket at a suitable height on the outside of the gate and mark it for reference. Ensure outward-opening gates have a minimum 18mm (3/4") gap between the L plate end and post so the lock doesn't clash with the keep when opening. Start off the holes with a smaller drill bit, using the plate as a jig.
2. Drill the holes partway through, then mark and drill from the other side to ensure holes are straight.
3. Drill the centre spindle hole with a 12mm drill bit, and open out the top and bottom holes with the 12mm drill bit to allow insertion of the outside keypad. Insert outside keypad and fasten with M5 screws provided. M5 screws may have to be cut to length with a grinder or a hacksaw. Screw L bracket to the gate with screws supplied. Insert spindle (ensuring it is fully seated) and measure a protrusion to the correct length (BDGW - 55mm (2 3/16"), BDGSW - 70mm (2 3/4"), BDGWRR - 45mm (1 3/4") BDGSWRR - 60mm (2 3/8")) then cut to length using a grinder or hacksaw. Use the notches as cutting guides - if your measurement falls between notches, cut at the next longer notch and trim further if needed.
4. Once cut, insert the spindle, then place lock body over spindle and fix using M8 fixing bolts and cover plate supplied. Use 5mm hex key to tighten bolts.
5. To fit the keep, align with the lock and mark the position on the gate post, then fasten with screws supplied.

**ADJUSTMENT:** To adjust the length and orientation of the latch, twist clockwise to shorten or anti-clockwise to lengthen and lock in position with the 3mm hex key supplied.

### 5 Year Warranty



WATCH VIDEO  
 OF INSTALLATION

