



THE WIDE SURFACE



PREPARATION FROM SCRATCH

It all started with Monti Werkzeuge GmbH (“Monti”). A German company that engineers, manufactures and distributes hand-tool and automated machine systems for surface preparation. Since our founding in 1987, we have been developing and marketing innovative, patented technologies to customers world-wide in the automotive, oil & gas, and industrial infrastructure markets. We are a recognized market leader and true trailblazer in our industry. Monti is ISO-9001 accredited and we service our customers from our headquarters in Germany and our (owned) subsidiary MontiPower Americas Inc. MontiServices - Cleantech Rental & Turnkey Equipment - is one of the divisions of the Monti Group. Within the Monti Group there are several different divisions, all targeting a different market in surface preparation, from MontiMarine to MontiM.Test. MontiPower stands for the global impact of the new Monti in all the countries and areas we are present.





40 M² pH

THE CLEANTECH PREPPER

for field joint preparation
onshore and offshore





THE NEW ORDER OF SURFACE PREPARATION

The Cleantech Prepper enables optimal coating performance through a programmable and automated process providing a constant and reliable roughness profile to the substrate. Simply program the desired roughness and the Cleantech Prepper will deliver a regular peak height and peak density to optimize your substrate surface, all without safety hazards, dust or loose media. The Cleantech Prepper solution can also be included in factory applied coating processes.

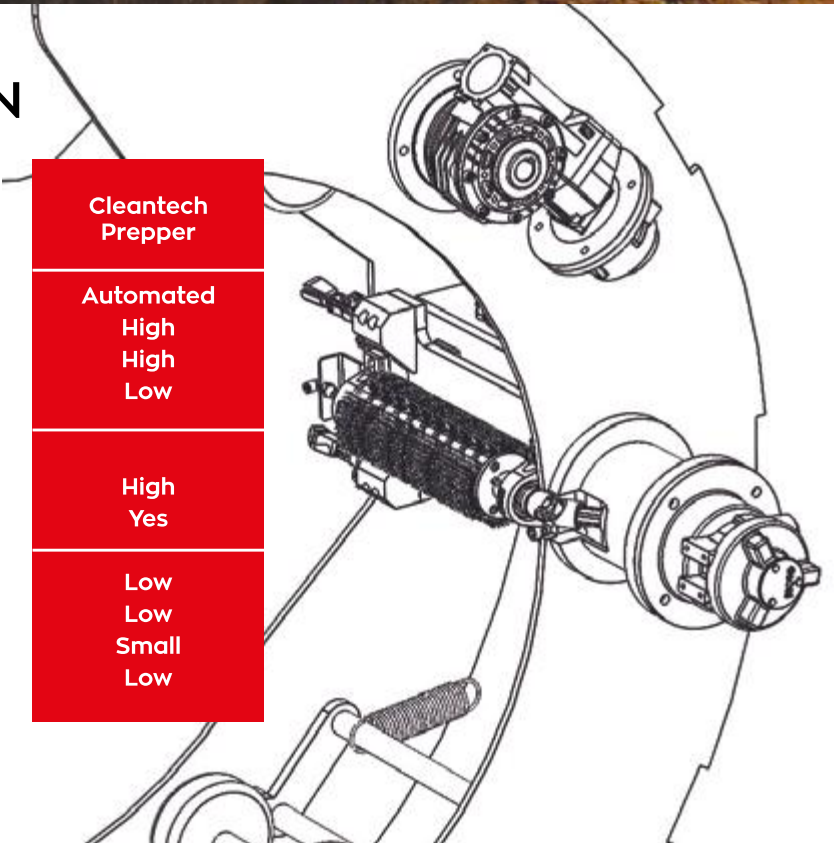


MONTI LOYALTY PROGRAM

KEY FEATURE COMPARISON

TECHNOLOGY

	Sandblasting	Manual Handtool	Cleantech Prepper
Mode of operation	Manual	Manual	Automated
Cleaning impact	High	Low	High
Cleaning speed	Fast	Slow	High
Consumables & Waste	High	High	Low
Reliability/Anchor profile precision	High	Medium	High
EHS (dust free)	No	No	Yes
Cost to operate	Medium	Medium	Low
Power requirements	High	Low	Low
Equipment footprint	Large	Small	Small
PPE/HSA impact	High	High	Low



WHY THE CLEANTECH PREPPER?

An aerial photograph of an offshore oil rig and a support vessel in the ocean. The rig is a tall, red and white lattice structure with a helipad on top. A red and white support vessel is positioned nearby. The ocean is a deep blue, and the sky is clear.

**UP TO 4X FASTER THAN
CONVENTIONAL BLASTING**

5 MILLION STRIKES

1M² CLEANED IN 100 SECONDS



THIS IS WHY

- A Uniform Roughness Profile with (near) constant peak height and density
- Oscillating brushes enable uniform, optimal surface coverage
- Adjustable accelerator bar enables changes to roughness profile
- Process monitoring and autoadjustments through laser and sensors
- A Profile Selector to program key factors and guide automation
- Minimal logistic interventions
- Programmable via smart device
- Up to 4 x faster than conventional blasting enabling greater coverage per hour
- Device is scalable to even bigger units
- Recyclable brushes (Monti Loyalty Program)
- Dust collection built-in
- Low energy consumption
- Rental options available

PER MINUTE

83%

INADEQUATE SURFACE PREPARATION

Corrosion is often an electro-chemical reaction whereby oxygen and water cause iron to rust or copper to turn green. Corrosion causes enormous economic damage -approximately 4% of GNP. Areas that are affected by corrosion must be treated or replaced, and for transport pipes this can quickly run costs up into the hundreds of thousands of Euros. Corrosion also presents enormous risks because pipes carrying gas or other hazardous materials can break at areas weakened by corrosion.

The solution for corrosion consists of removing one or more of the three primary causes of corrosion - water, oxygen or the electrochemical reaction. Traditional coatings for metals, such as bitumen, polyethylene (PE), polypropylene (PP) and epoxy powder coating (FBE), cannot prevent water and/or oxygen from reaching the metal. Transport pipelines often use cathodic protection to stop the electrochemical reaction, whereby an electric current stops the ionization of the iron. All of this requires constant monitoring of the coating protection and its performance. Optimal surface protection is a critical factor in enhancing the performance of protective coatings. That is why rust and corrosion require the best surface preparation possible!

REASONS FOR COATING FAILURE

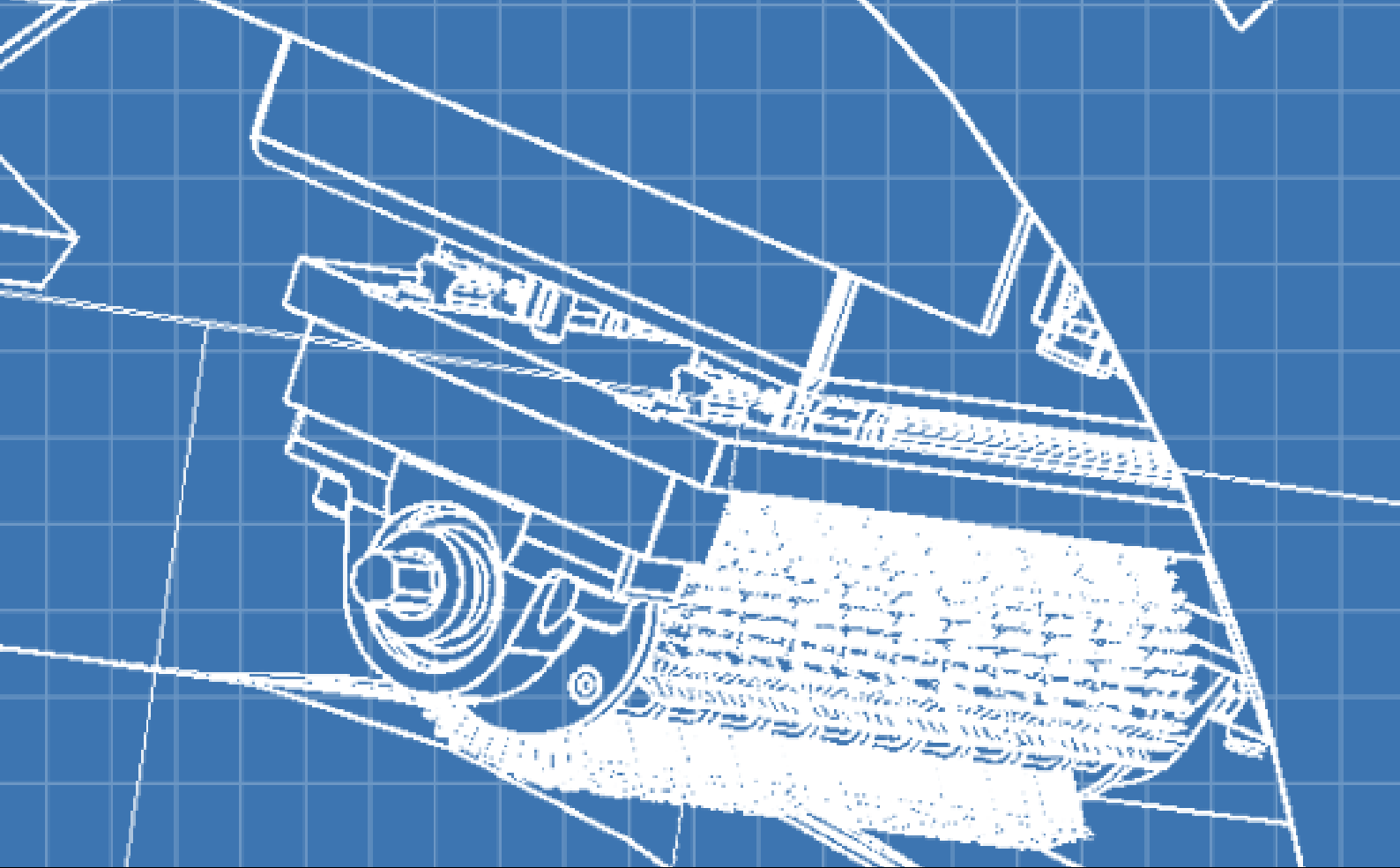
A pie chart illustrating the reasons for coating failure. The chart is divided into four segments: Application Errors (11%), Poor Specification Coating Selection (6%), Environmental Controls (5%), and Defective Coating Materials (1%). The background of the chart is a dark, textured image of a planet's surface, possibly Mars, with a white outline of the planet's edge.

1% DEFECTIVE COATING MATERIALS

11% APPLICATION ERRORS

6% POOR SPECIFICATION COATING SELECTION

5% ENVIRONMENTAL CONTROLS



THE NEW CLEANTECH

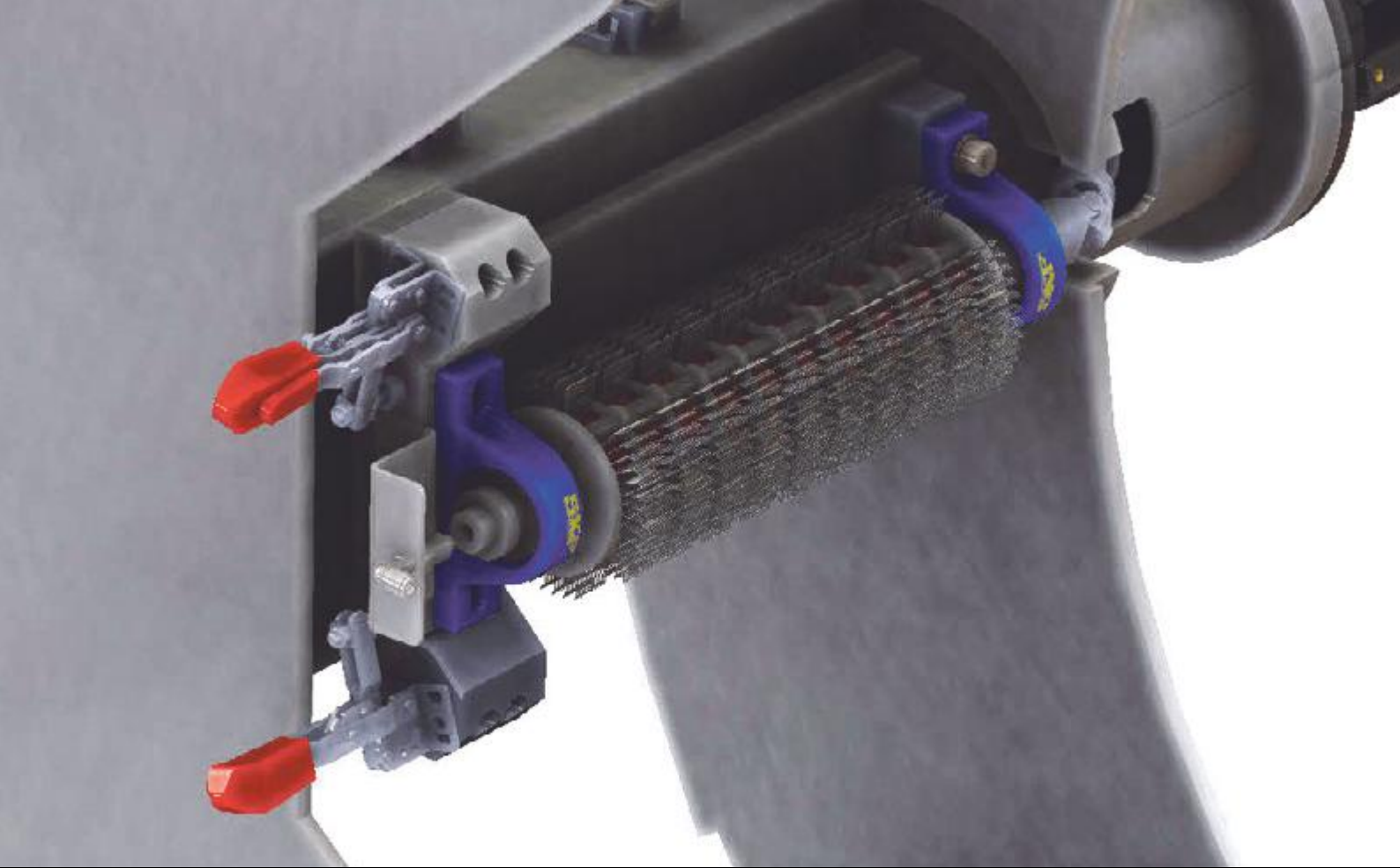
SPEED

COMPARISON 48' PIPE 300mm CUTBACK FIELD JOINT (=1,15m²)

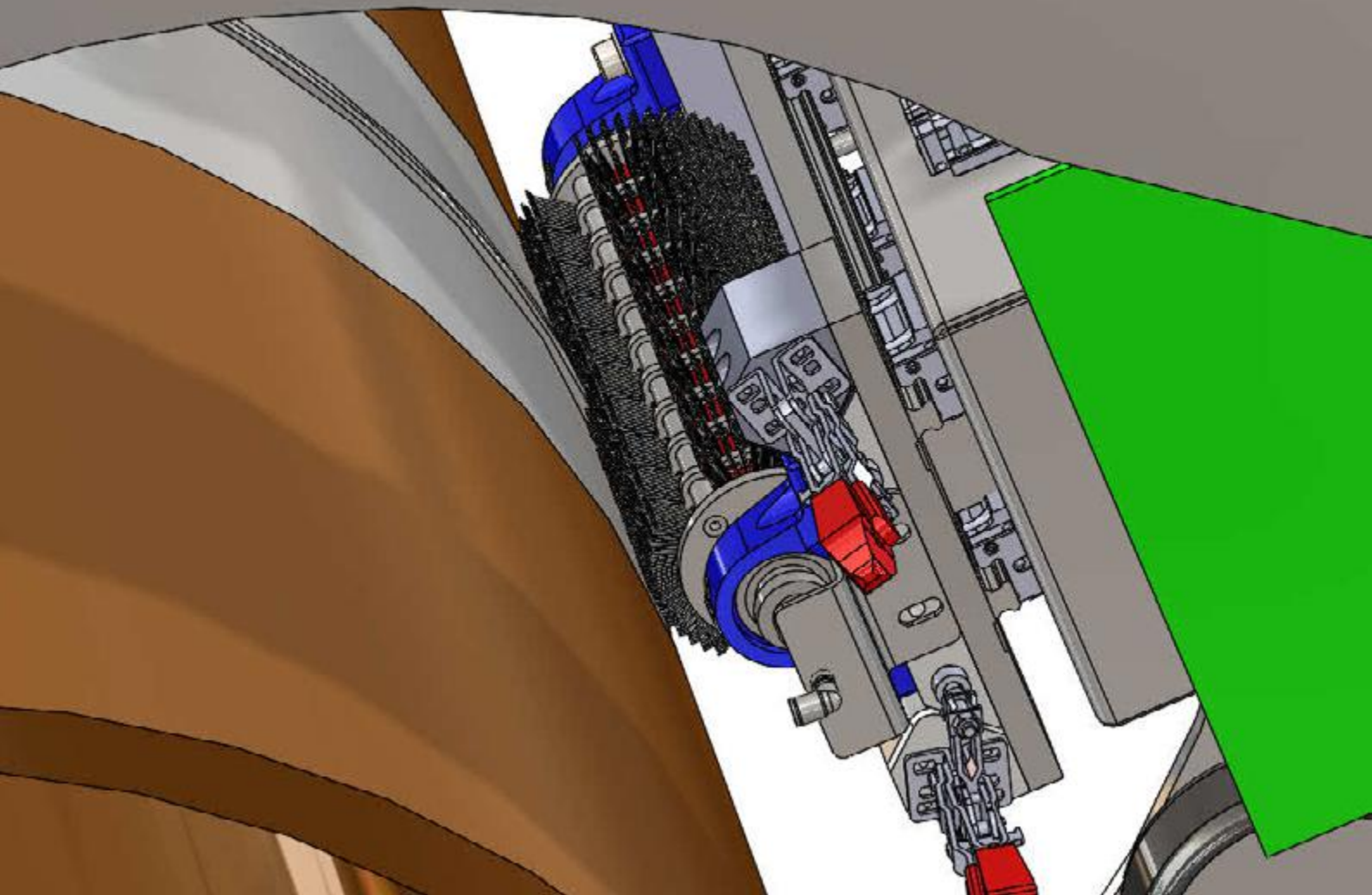
Single brush unit Cleantech Prepper

127 Seconds

Conventional Blasting 518 seconds



PREPPER BY MONTI



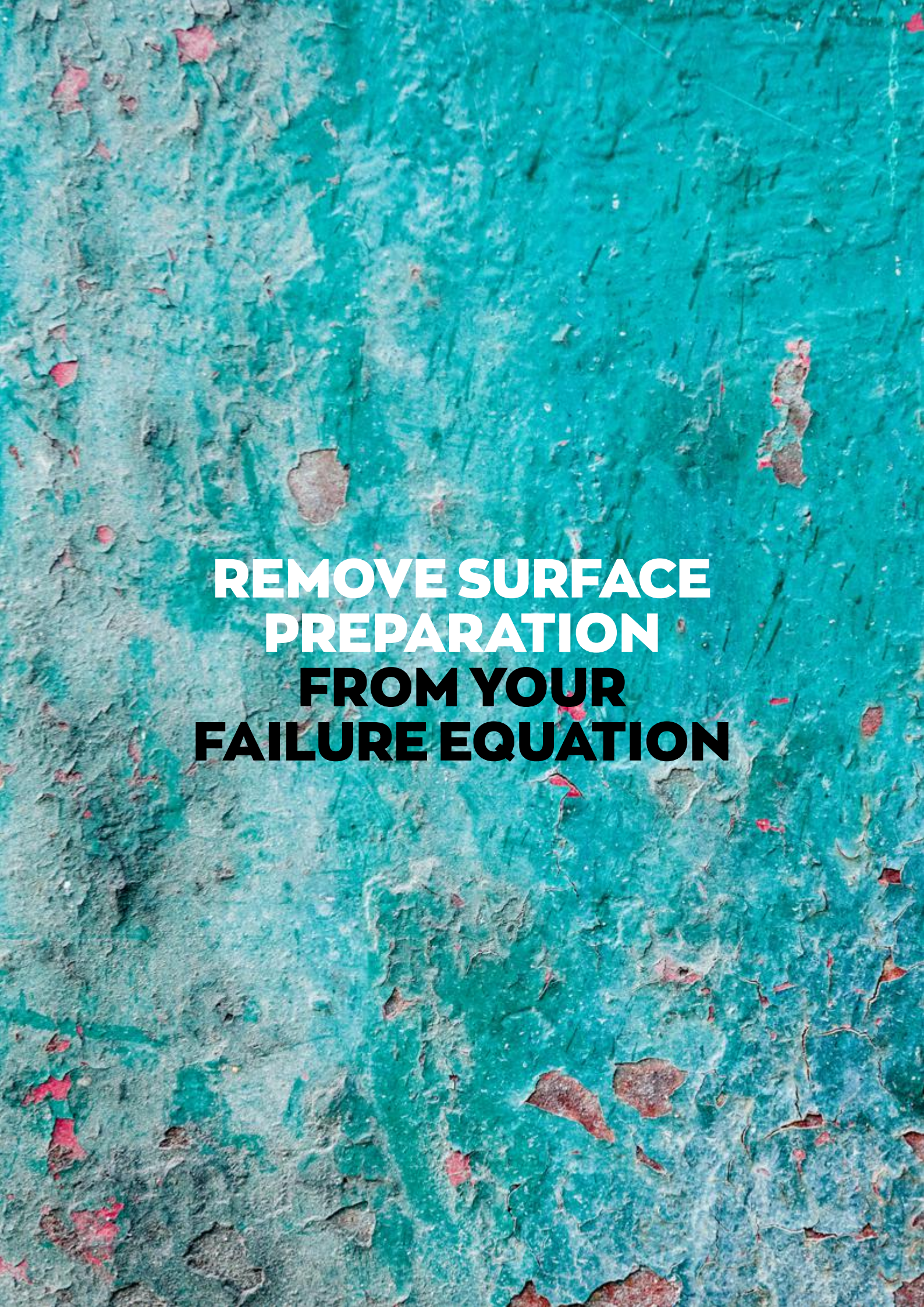


MONTI CLEANTECH PREPPER

new order of surface preparation

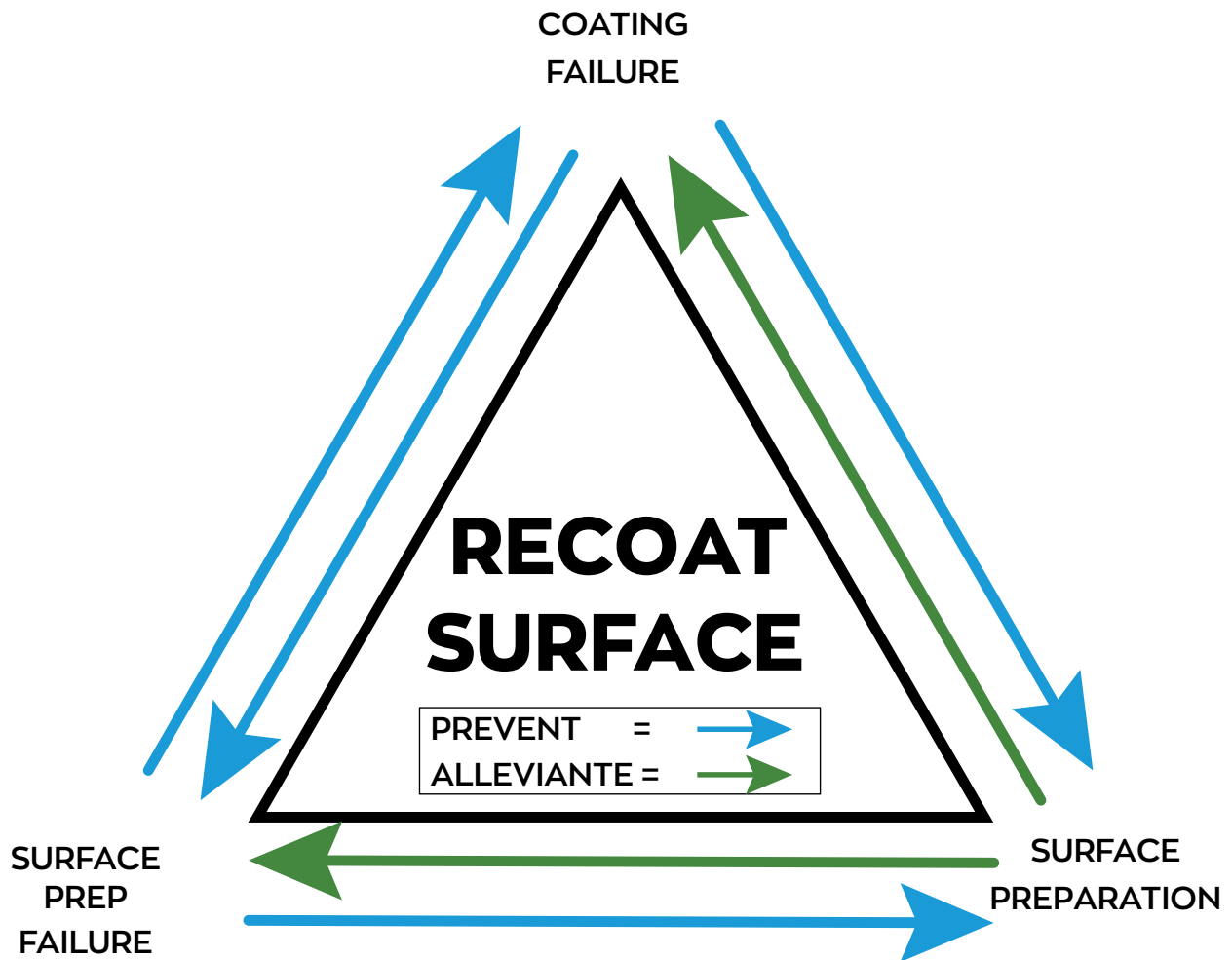


**THE MOST ADVANCED
SURFACE PREPARATION
TECHNOLOGY EVER**



**REMOVE SURFACE
PREPARATION
FROM YOUR
FAILURE EQUATION**

THE NUMBER 1 CAUSE OF COATING FAILURE IS IMPROPER SURFACE PREPARATION



CLEANTECH PREPPER
PREVENTS AND ELIMINATES
THE OPPORTUNITY FOR COATING FAILURE

PREPARATION FROM SCRATCH



MontiPower - Part of Monti Group
MONTI - Werkzeuge GmbH
Reisertstr. 21 | 53773 Hennef | Germany
T +49 (0) 2242 9090 630
info@montipower.com
www.montipower.com