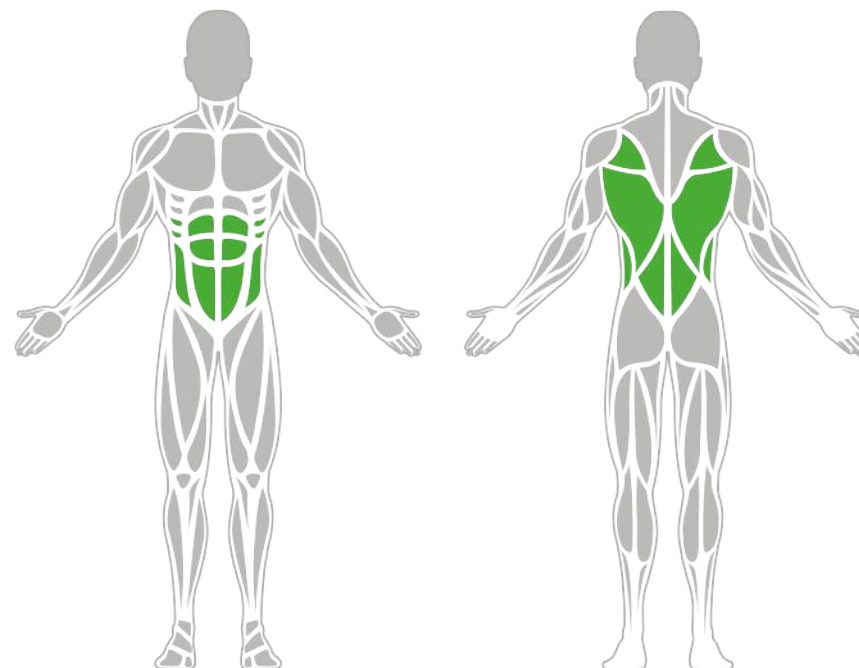




Muscle Groups Focus



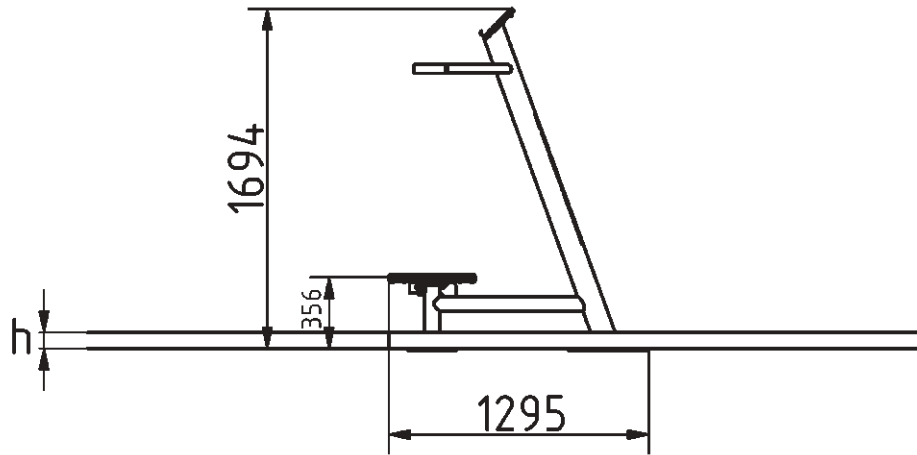
Twister

The Twister is a dedicated outdoor recreational device designed to target and tone the muscles around the hips. By offering a smooth rotating mechanism, users can effortlessly twist their hips, promoting flexibility, enhancing oblique strength, and improving overall core stability. Its intuitive design ensures users of all levels can capitalize on a dynamic hip-twisting experience, making it a versatile addition to any outdoor fitness setting.

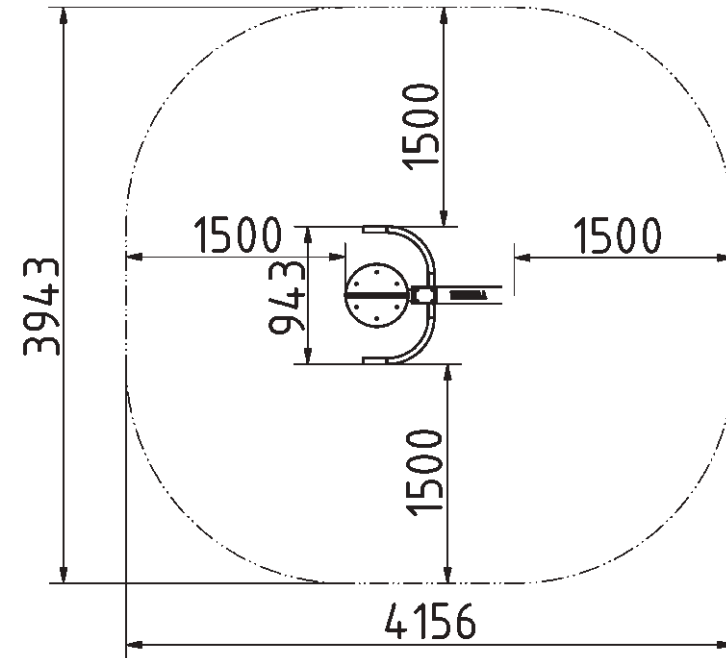
Attributes

Product code	1-1-317
Certificate	EN 16630
Age group	14 + years
Capacity	1 person
Max. weight load	130 kg
Type	Recreational
Difficulty level	Easy

Side View




Plan View



Installation information

Number of installers (concrete)	At least 2 people
Total installation time (concrete)	60-120 min.
Number of installers (equipment)	At least 2 people
Total installation time (equipment)	30-60 min.
Excavation volume	0.65 m ³
Concrete volume	0.65 m ³
Size of the base structure	0,7 x 1,2 x 0,8 m
Anchoring options	In-ground or surface
In combined structures, the volume of concrete required varies.	

Technical specification

Safety surface area	Around 1,5 m radius
Net weight	60 kg
Material	S235
Critic fall height	400 mm
Color options	
For more color options, discuss with your sales representative.	

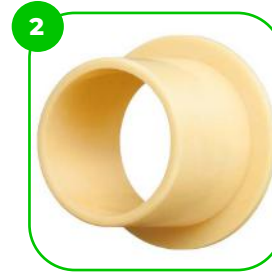
Warranty

Structure	25-15 years
Steel	5-10 years
Paint	2 years
Plastic	5-10 years
Rubber	1-3 years
Moving parts	2 years
Detailed information in the warranty document	

Material specification



The element is made of high quality S235 steel, which has been cleaned via sandblasting. A corrosion resistant powder coating finish is then applied. Also available with galvanized surface for even greater protection and longevity!



The device is fitted with composite bearings that are weather-resistant. The bearing does not require regular maintenance.



The connecting elements are fastened with vandal-proof stainless steel screws and nuts.



The top surface of the device is covered with the highest quality non-slip HDPE.



The device is equipped with an ergonomic non-slip HDPE phone holder for convenience.



At the end of the arms, the handle is rubber-coated for a more comfortable and secure grip.

BESTSTRONG

 [bestrongworld](#)  [bestrongworld](#)  [global.bestrong.com](#)  [info@bestrong.com](#)

