



 **BEVOLA**

March 2021

# BEVOBOX™

## TOOLBOXES



# HIGH QUALITY

## BevoBox™

BEVOLA design, develop and make BevoBox™ toolboxes. We constantly seek to improve quality and flexibility.

BevoBox™ is made of the highest quality materials, and every single one goes through rigorous quality control before leaving our factory.

BEVOLA has been making toolboxes for over 20 years, earning a reputation right from the start for high quality. Durability, streamlined design and of course the huge range of combinations possible make BevoBox™ a firm favourite for HGV owners throughout Europe.

We have a wide range of standard sizes in stock, but also produce specially-designed BevoBox™ toolboxes to the customer's specifications.

BevoBox™ toolboxes are made of

- Stainless steel
- Plywood
- Aluminium
- Sandwich board

Our skilled sales team and Customer Service personnel are always ready to help.



# A BOX FULL OF OPTIONS



## APPROVALS

**E1** E1 73R-01 0142 (BevoBox™ SS)



# BEVOBOX™



## BevoBox™ Lock

The BevoBox™ lock is fitted with a unique system that provides ventilation under the handle without compromising waterproofing.

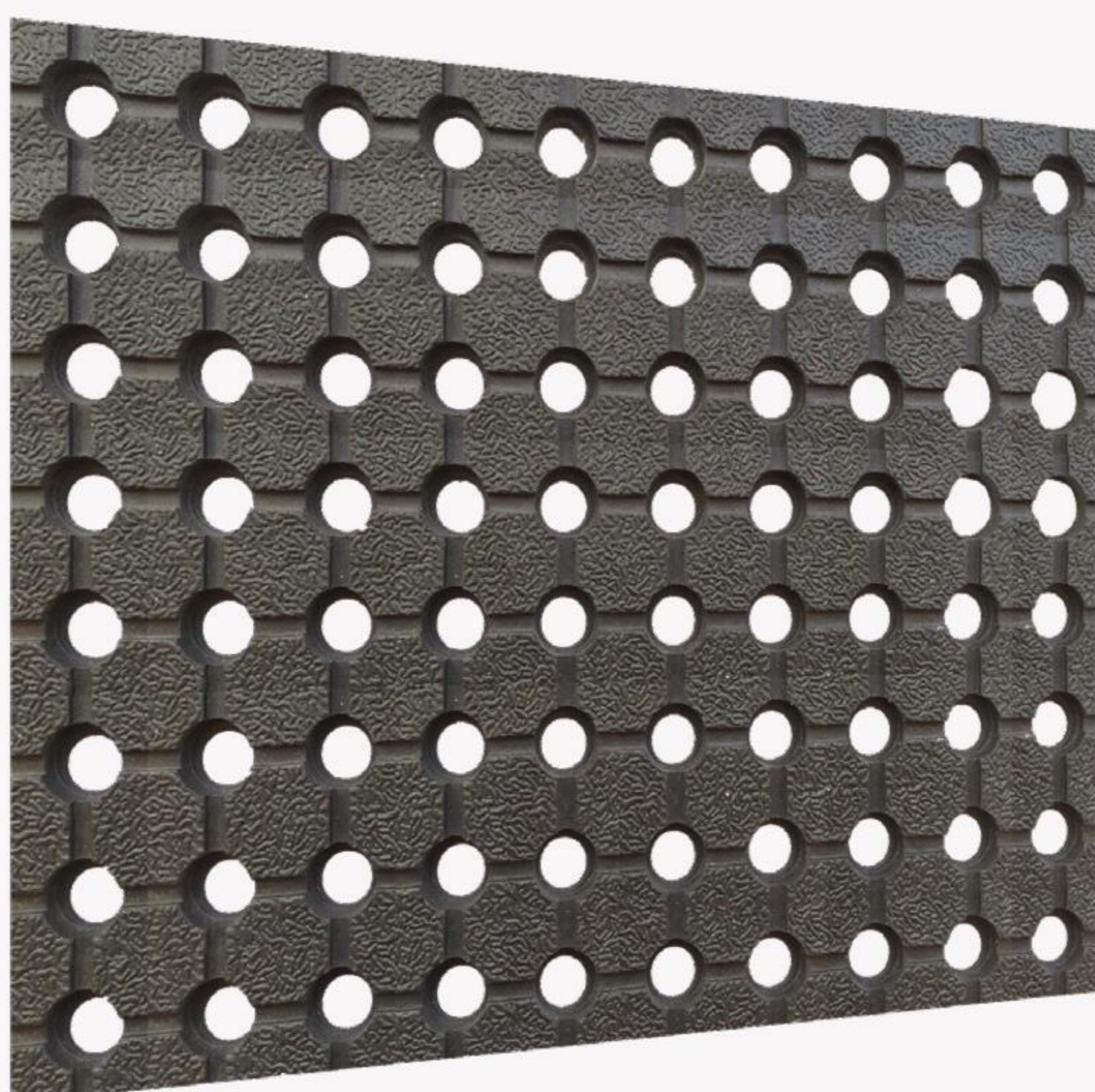
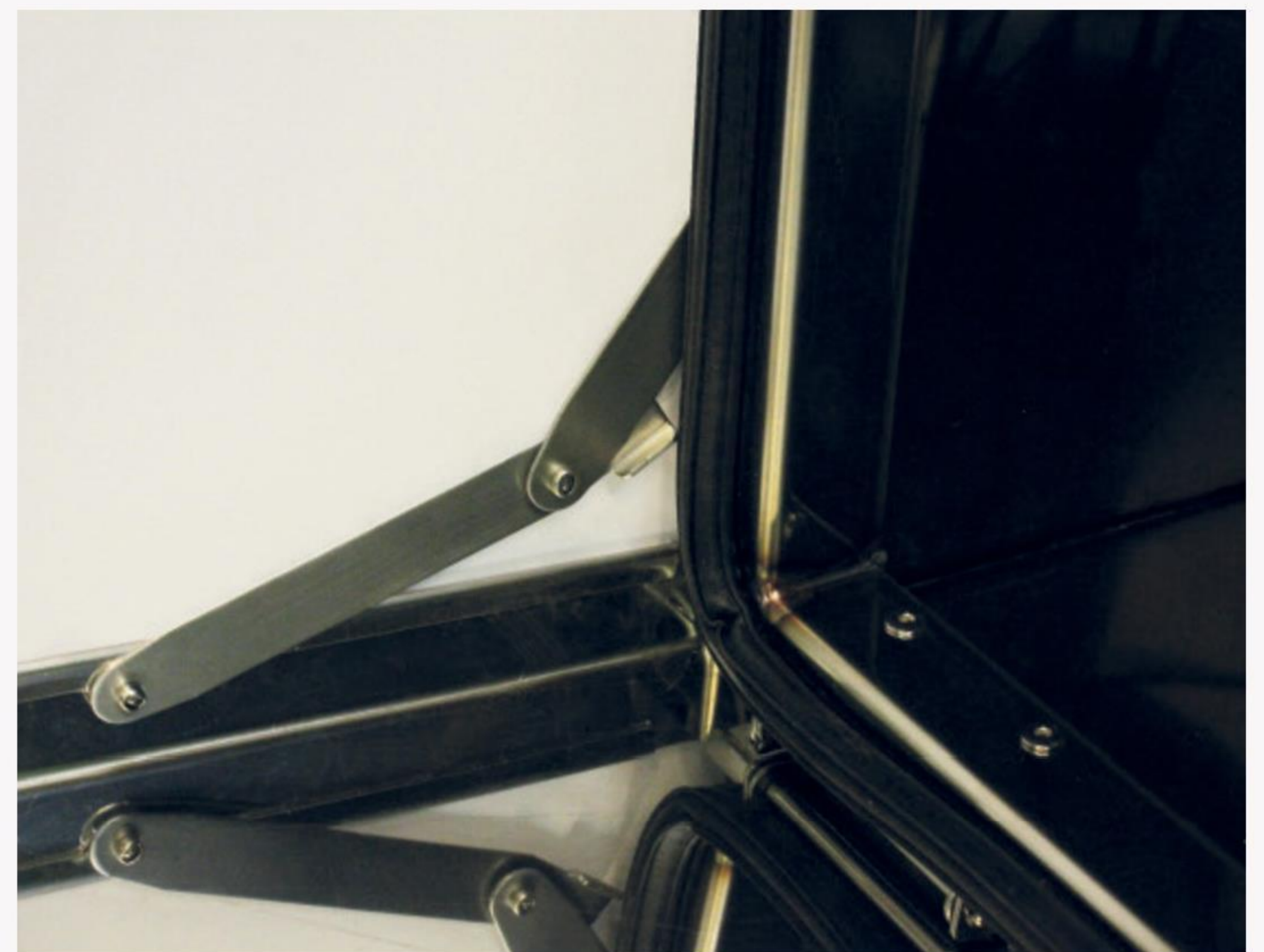
The combination of vents in the lock and on the back of the box gives unbeatable ventilation, allowing a through-flow of air.

It comes in black reinforced nylon with a handle in polished stainless steel. All components are designed to withstand life on the road for many years. Easy to operate, even when wearing gloves. Available with identical keys to order.

## BevoBox™ Sliding Lift Stay Arm Prevents strain on lid and hinges.

Fitted to bottom and side mounted BevoBox™ Stainless Steel and BevoBox™ Mix.

BevoBox™ toolboxes can be supplied with gas springs to order.



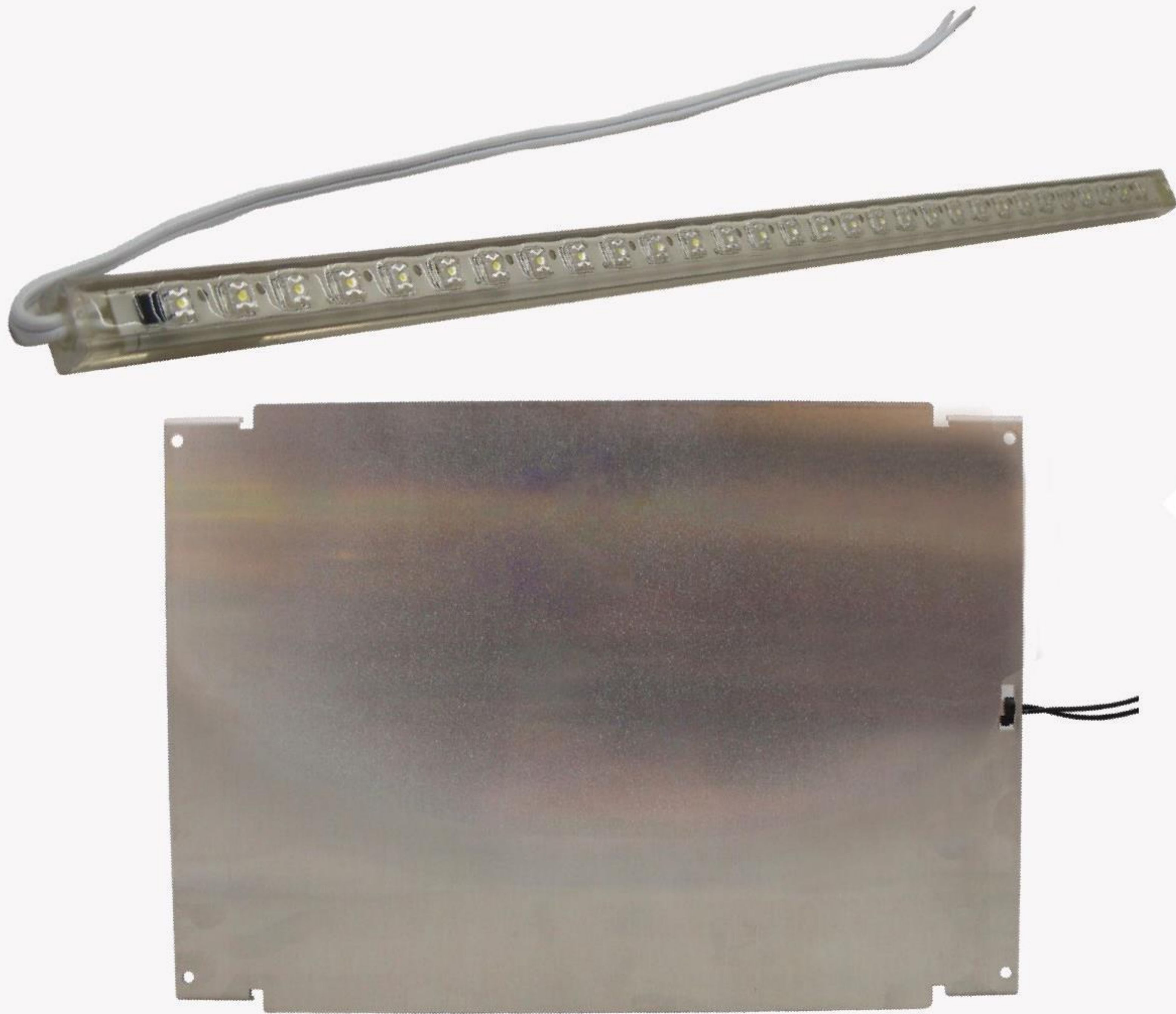
## BevoBox™ Bottom Mat

BevoBox™ toolboxes can be supplied with bottom mats.

Made of rubber to protect box and contents, and to dampen noise.

The perforated design lets water and snow drain away from the contents.

# DESIGNED, DEVELOPED & MANUFACTURED BY BEVOLA DK



## BevoBox™ Accessories

All BevoBox™ toolboxes can be supplied with LED lights and heating element.

Heating elements are self-regulating, and ensure that only the necessary output is used. They are simple to fit, and keep the box free of ice.

## BevoBox™ Rod Locks

Our specially-made BevoBox™ toolboxes can be supplied with one or more locks. Rod locks are becoming more and more popular instead of having multiple locks on a box lid.

A rod lock means you only need one lock to close and lock the box.



## BevoBox™ Plywood Bottom

Our range of plywood bottoms fit the BevoBox™ Stainless Steel and BevoBox™ Mix standard boxes.

A plywood bottom provides a strong and protective surface, preventing deformity from repeated impact such as tools being thrown in, etc.

Custom sizes available to order.



# BEVOBOX™ STAINLESS STEEL



## BEVOBOX™ SIDE HINGED

Art. No.	Lid	L (mm)	H (mm)	D (mm)	Note
587607	Side hinged	300	500	500	
587614	Side hinged	330	600	600	With shelf
587605	Side hinged	350	300	300	
587609	Side hinged	500	500	500	
587602	Side hinged	600	400	400	
587910	Side hinged	600	400	500	
587608	Side hinged	600	500	500	
587616	Side hinged	600	600	600	
587604	Side hinged	800	400	400	
587621	Side hinged	800	400	500	
587610	Side hinged	800	500	500	
587618	Side hinged	900	600	600	
587606	Side hinged	1000	400	400	
587612	Side hinged	1000	500	500	

# A truly spacious box

## BEVOBOX™ BOTTOM HINGED

Art. No.	Lid	L (mm)	H (mm)	D (mm)	Note
587642	Bottom hinged	600	400	400	
587648	Bottom hinged	600	500	500	
587650	Bottom hinged	800	500	500	
587658	Bottom hinged	900	600	600	
587652	Bottom hinged	1000	500	500	
587660	Bottom hinged	1200	600	600	

## BevoBox™ Stainless steel

BevoBox™ in bright annealed stainless steel sheet metal. A strong construction with lots of options, highly durable and attractive appearance.

BevoBox™ Stainless Steel is designed for solo or serial mounting, and thanks to the unique BEVOLA hinge design can be mounted close together without problems opening the lids. BevoBox™ Stainless Steel comes with side or bottom hinged lid, and one or more locks as required.

### Facts

- 1.5 mm bright annealed 304 steel
- Stainless steel hinges
- Robust rubber seal
- Vents on front and back
- Polished stainless steel lid
- Can be mounted side by side
- Stylish Scandinavian design and quality

### Accessories (see pp. 18-21)

- Flexible shelf
- End set for flexible shelf
- Cargo strap drawer
- Flexible drawer L550-800 mm
- Chain drawer
- LED light
- Heating element with fan
- Heating element
- Bottom mat
- Battery drawer
- Plywood bottom



# BEVOBOX™ MIX

## BEVOBOX™ SIDE HINGED

Art. No.	Lid	L (mm)	H (mm)	D (mm)	Note
583707	Side hinged	300	500	500	
583714	Side hinged	330	600	600	With shelf
583705	Side hinged	400	500	500	
583763	Side hinged	400	700	600	
583741	Side hinged	500	400	300	
583709	Side hinged	500	500	500	
583739	Side hinged	500	600	600	
583702	Side hinged	600	400	400	
587909	Side hinged	600	400	500	
583708	Side hinged	600	500	500	
583740	Side hinged	600	500	600	
583716	Side hinged	600	600	600	
583765	Side hinged	600	700	600	
583704	Side hinged	800	400	400	
583721	Side hinged	800	400	500	
583710	Side hinged	800	500	500	
583717	Side hinged	800	600	600	
583767	Side hinged	800	700	600	
583718	Side hinged	900	600	600	
583706	Side hinged	1000	400	400	
583712	Side hinged	1000	500	500	
583719	Side hinged	1000	600	600	
583769	Side hinged	1000	700	600	
583720	Side hinged	1200	600	600	





## BEVOBOX™ LEFT HINGED WITH SHELF & PLASTIC BOTTOM LINER

Art. No.	Lid	L (mm)	H (mm)	D (mm)	Note
583770	Left hinged	500	500	500	W. shelf & plastic bottom liner
583780	Left hinged	600	600	600	W. shelf & plastic bottom liner
583782	Left hinged	800	600	600	W. shelf & plastic bottom liner
583784	Left hinged	1000	600	600	W. shelf & plastic bottom liner

## BEVOBOX™ TOOLBOX ISOLATED

Art. No.	Lid	L (mm)	H (mm)	D (mm)	Note
587931	Left hinged	600	600	600	Top, side & bottom isolated

## BEVOBOX™ BOTTOM HINGED

Art. No.	Lid	L (mm)	H (mm)	D (mm)	Note
583602	Bottom hinged	600	400	400	
583608	Bottom hinged	600	500	500	
583604	Bottom hinged	800	400	400	
583610	Bottom hinged	800	500	500	
583618	Bottom hinged	900	600	600	
583606	Bottom hinged	1000	400	400	
583612	Bottom hinged	1000	500	500	
583620	Bottom hinged	1200	600	600	

## BevoBox™ Mix

BevoBox Mix™ is a lightweight version of BevoBox™ Stainless Steel. The actual box is made of saltwater-resistant aluminium, with the lid in polished stainless steel.

BevoBox™ Mix has the same features as the stainless steel version, and both types can be mounted alongside each other.

### Facts

- 2 mm saltwater-resistant aluminium
- Polished stainless steel lid
- Can be mounted side by side
- Robust rubber seal
- Vents on front and back
- Stylish Scandinavian design and quality
- Available with side or bottom hinged lid

### Accessories (see pp. 18-21)

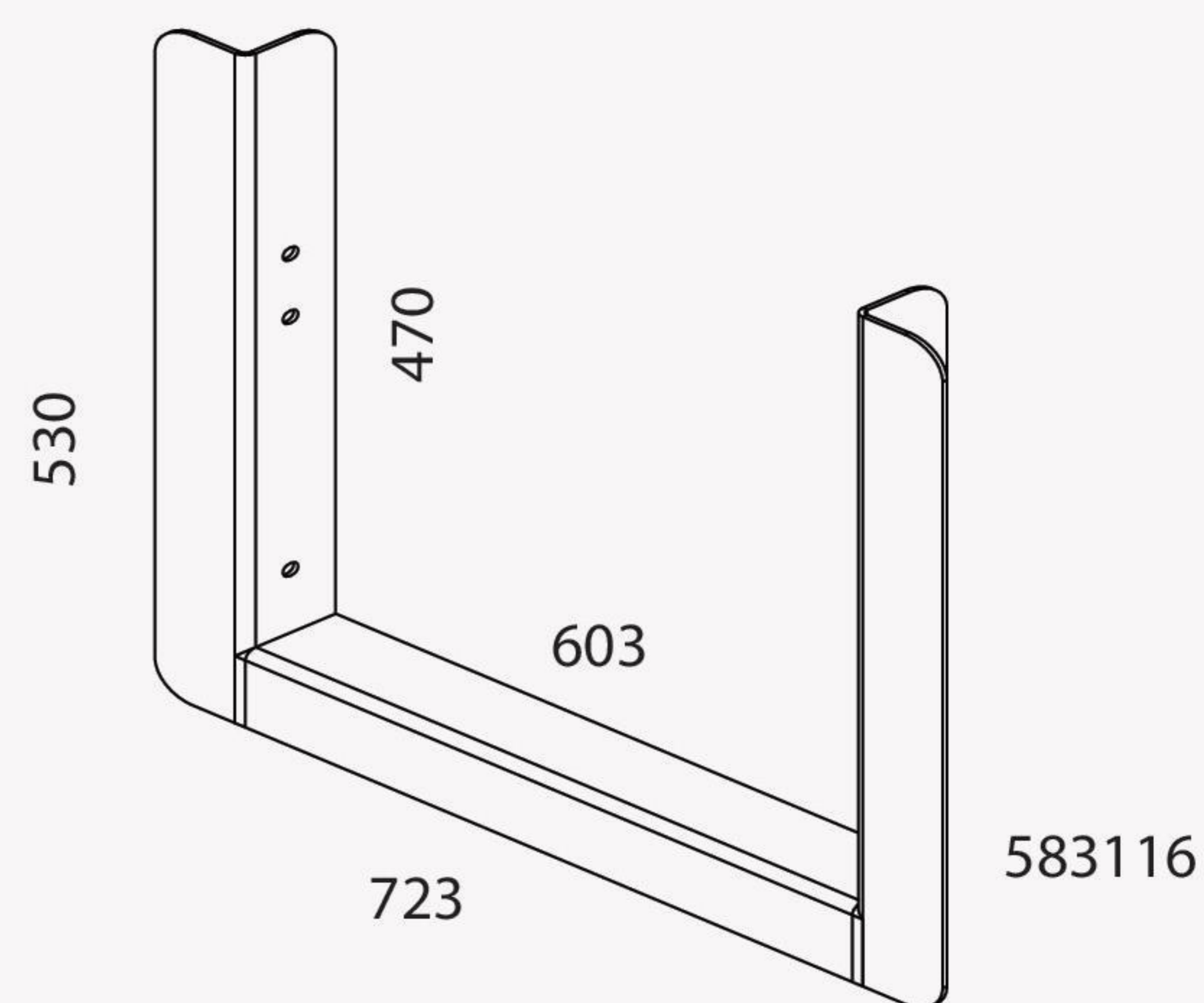
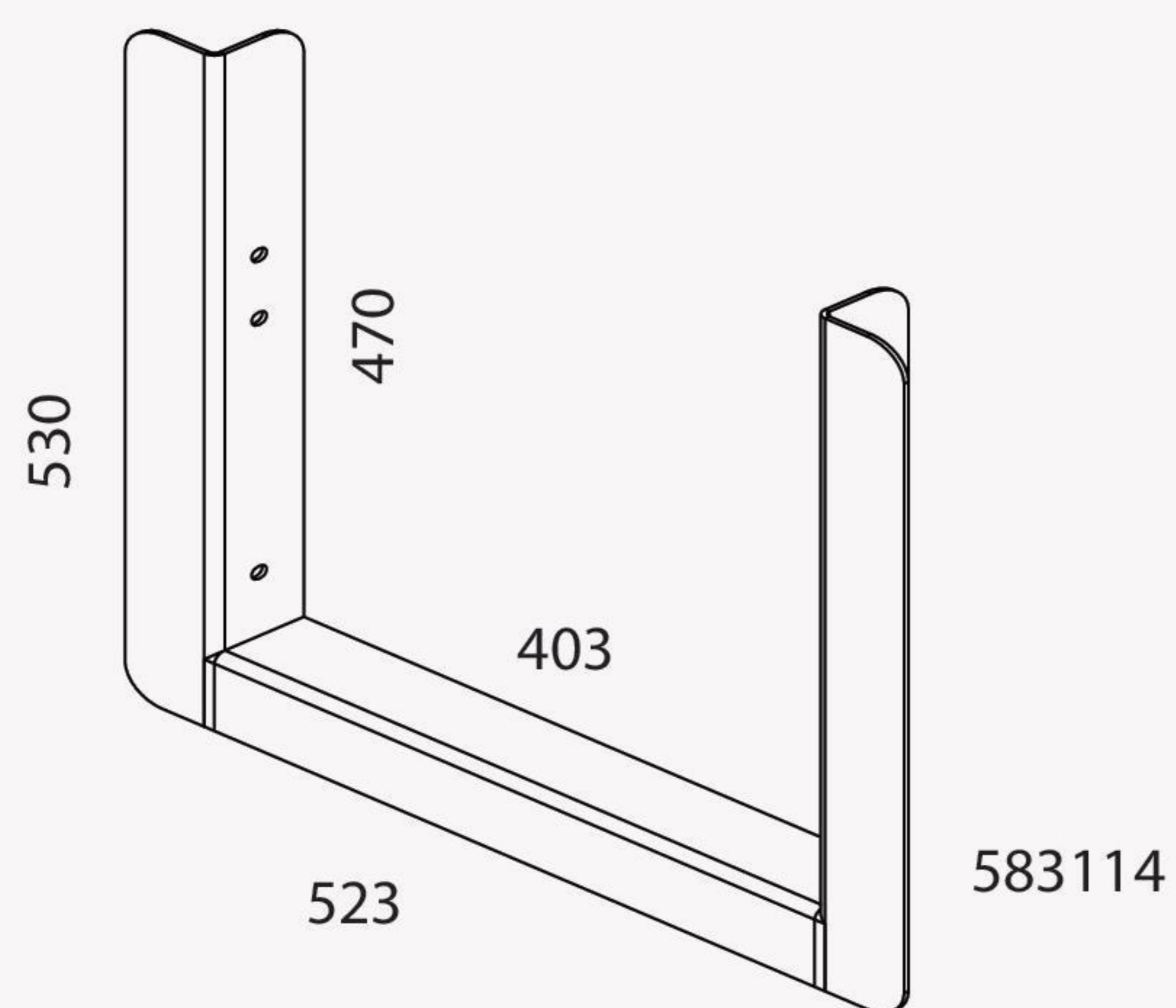
- Flexible shelf
- End set for flexible shelf
- Cargo strap drawer
- Flexible drawer L550-800 mm
- Chain drawer
- LED light
- Heating element with fan
- Heating element
- Bottom mat
- Battery drawer
- Plywood bottom

# BEVOBOX™ MIX



## TUNNEL BOX MIX

Art. No.	Suggested bracket to use	L (mm)	H (mm)	D (mm)	Note
583760	583114	400	350	2450	3 mm side thickness
583761	583116	600	300	2450	3 mm side thickness
583762	583116	600x600	300	2450	3 mm side thickness



## BEVOBOX™ FOR POWDER EXTINGUISHERS

Art. No.	Lid	L (mm)	H (mm)	D (mm)	Note
583730	Side hinged	280	600	220	For 1 x powder extinguisher 6 kg
583732	Side hinged	480	600	220	For 2 x powder extinguishers 6 kg

## EXTINGUISHERS

Art. No.	Size	Ø (mm)	Weight	Note
652001	Powder extinguisher 2 kg	110 x 375	3,9 kg	Norwegian text Fire class ABC Powder Ext. logo not included
652008	Powder extinguisher 6 kg	150 x 550	6kg/9,3kg	Fire class ABC Powder Ext. logo not included

## POWDER EXTINGUISHER LOGO

Art. No.		Dimension	Note
654012	Powder extinguisher logo self-adhesive	60 x 80 mm	MUST be purchased seperately



# BEVOBOX™

587917/587918



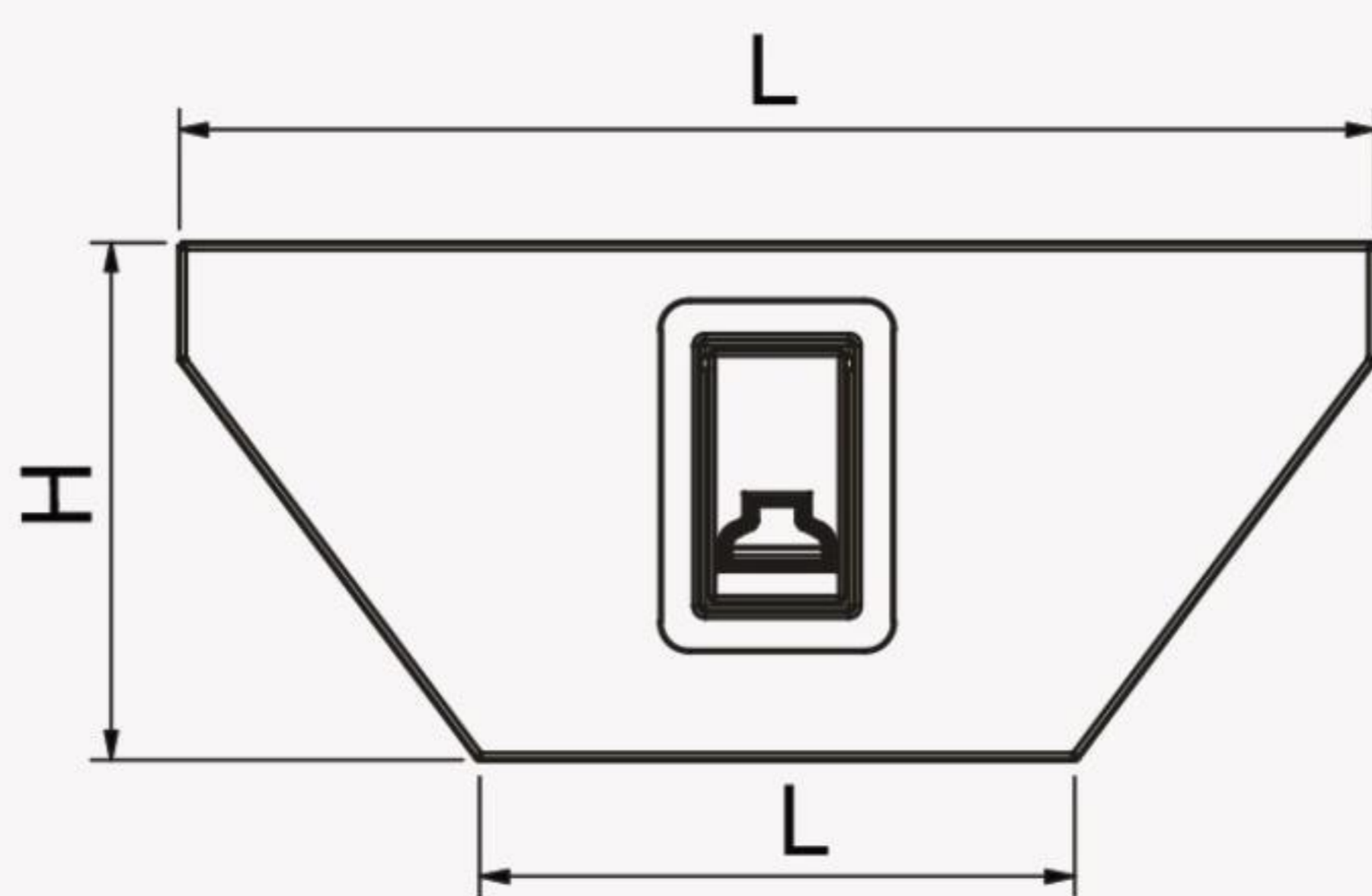
587919



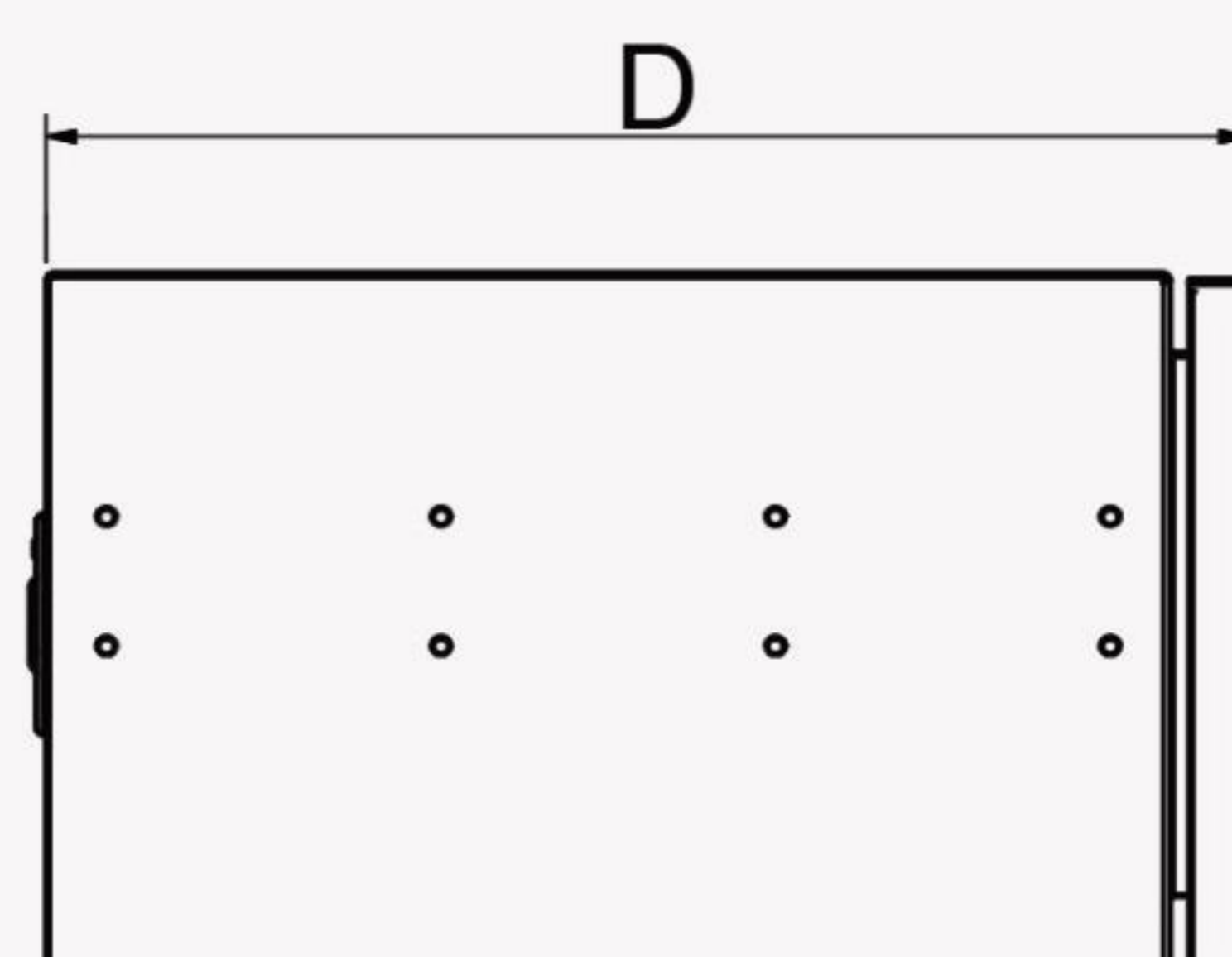
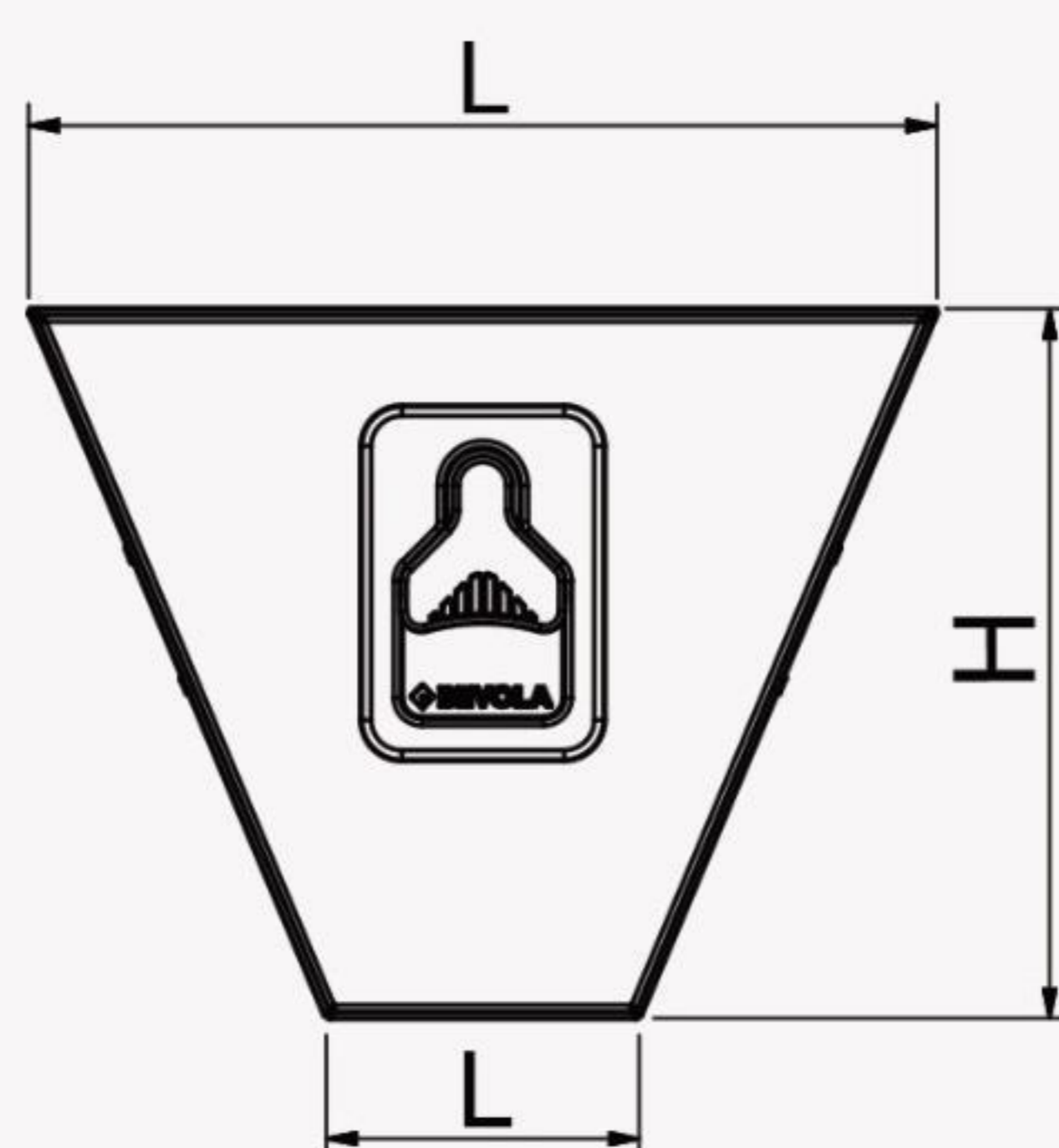
## BEVOBOX™ TRIANGULAR/BOGGIE BOX

Art. No.	Kind of box	L (mm)	H (mm)	D (mm)	Note
587917	Boggie box	615/306	265	600	Stainless steel
587918	Boggie box	616/306	266	600	Aluminium
587919	Triangular	450/155	350	600	Stainless steel

587917/587918



587919

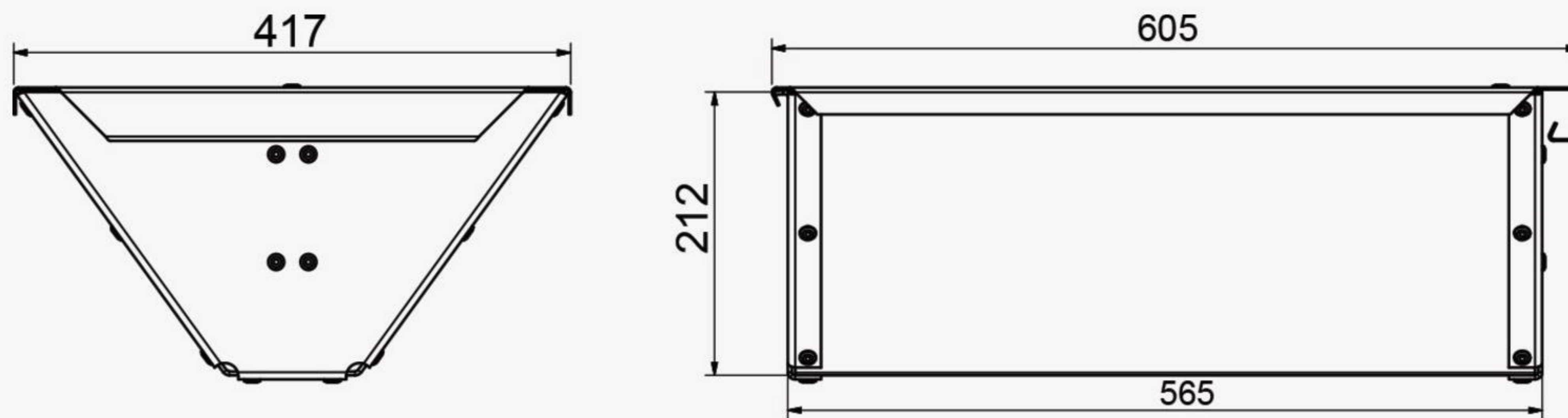


# A truly spacious box

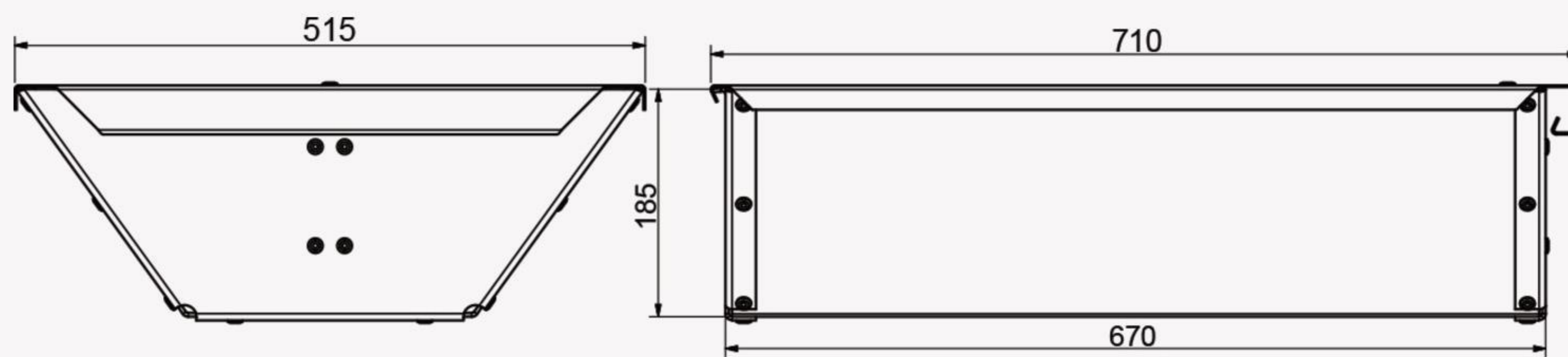
## CHAIN BOX IN ALUMINIUM WITH STAINLESS STEEL LID

Art. No.	Lid	L (mm)	H (mm)	D (mm)	Note
598274	Stainless steel	417/115	212	605	Chain box for Scania
598275	Stainless steel	515/325	185	710	Chain box for Volvo

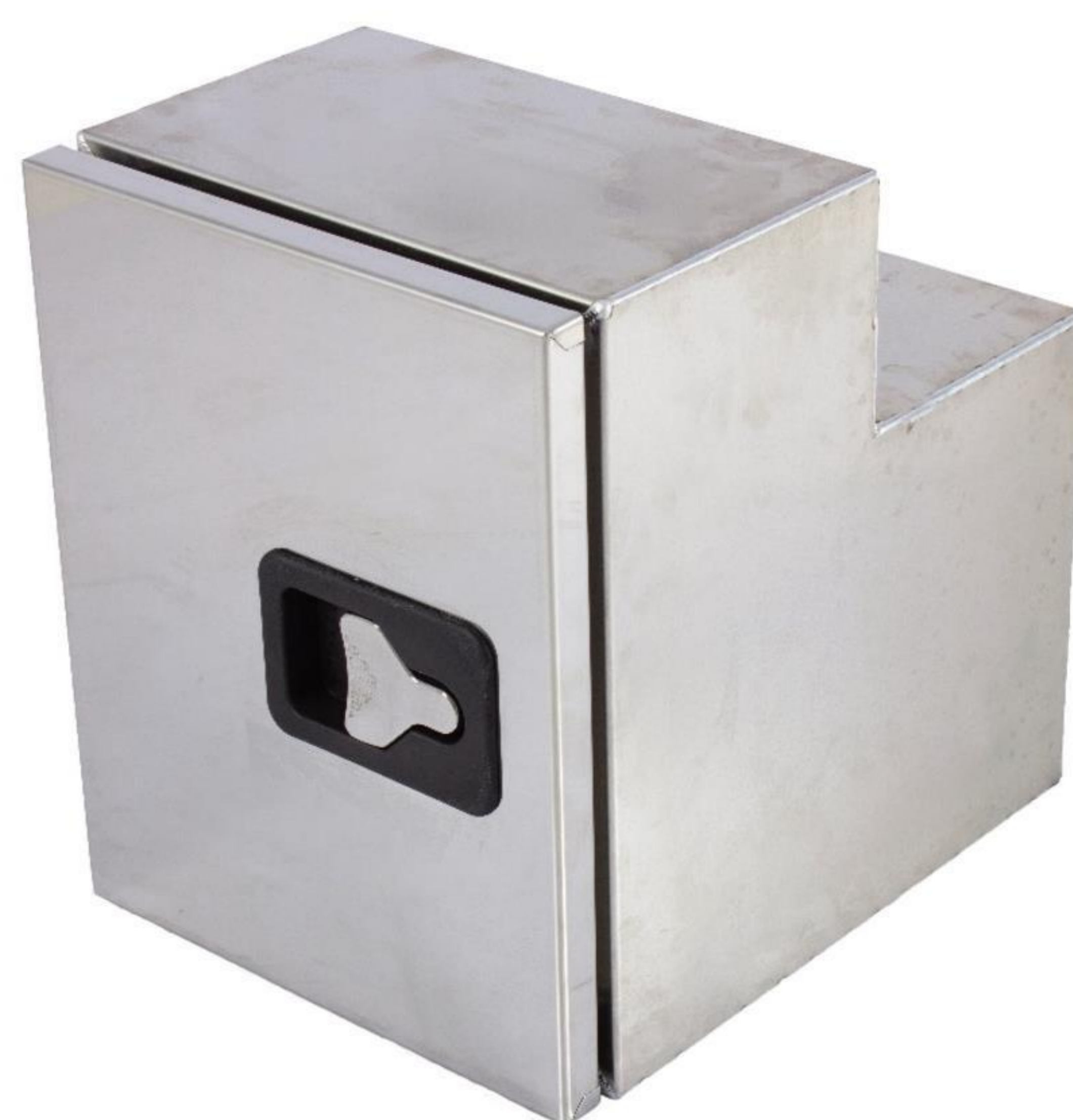
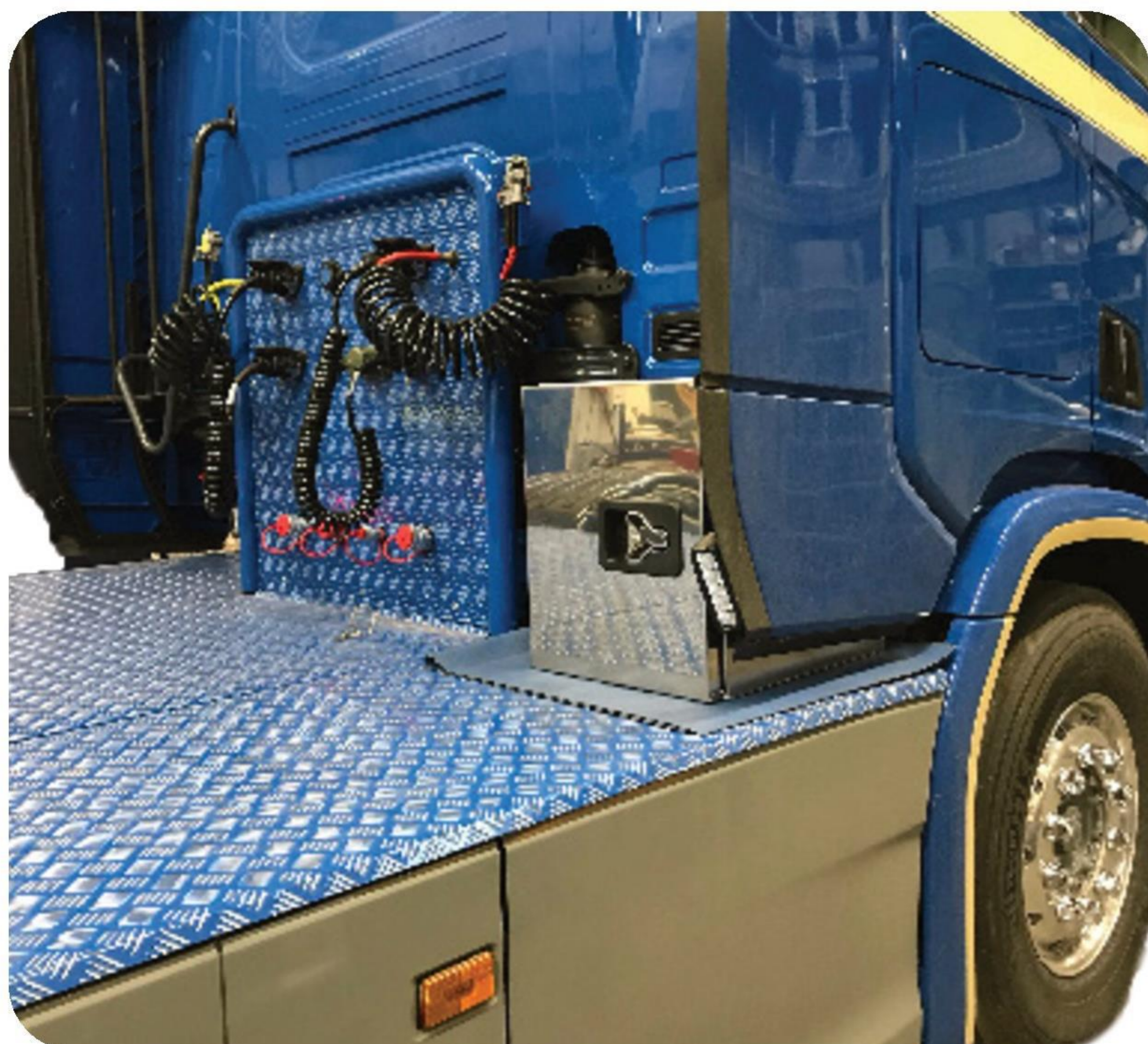
598274



598275

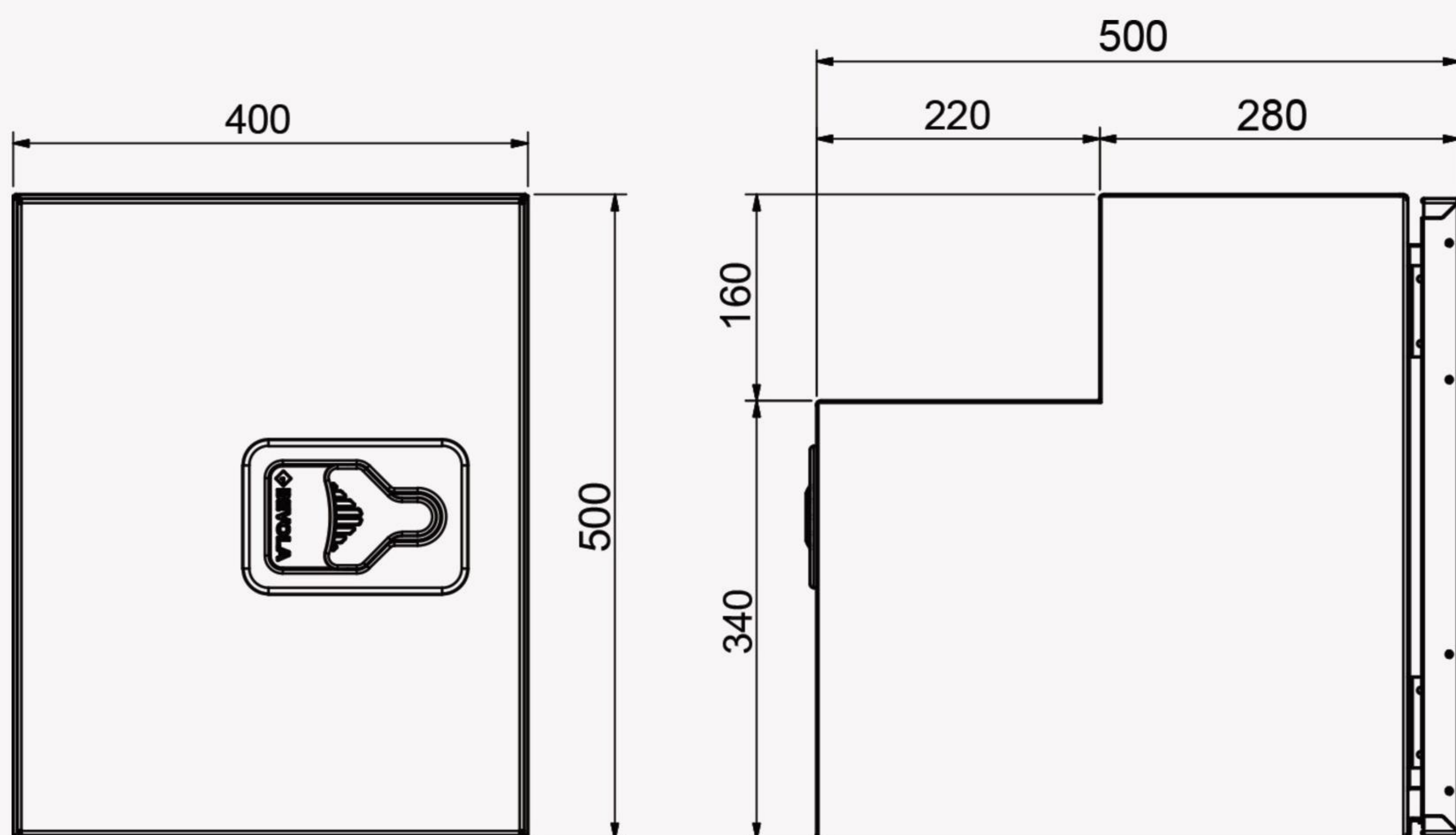


# BEVOBOX™ MIX



## BEVOBOX™ FOR REAR CAB

Art. No.	Lid	L (mm)	H (mm)	D (mm)	Note
583790	Left hinged	400	500/340	500/280	for Scania under cab

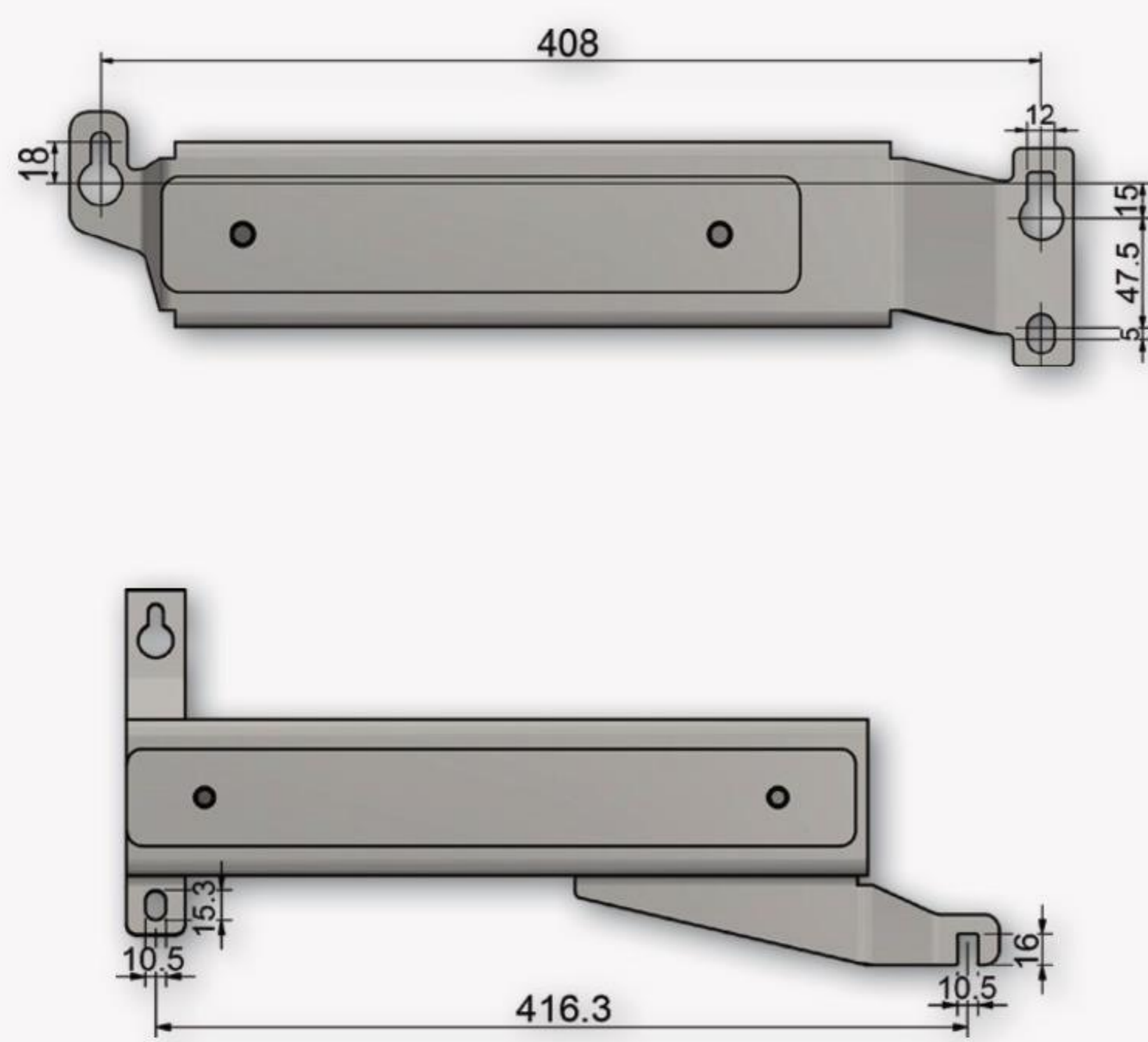


# BEVOBOX™ ALU

## BEVOBOX™ FOR REAR CAB SCANIA R+S SERIE

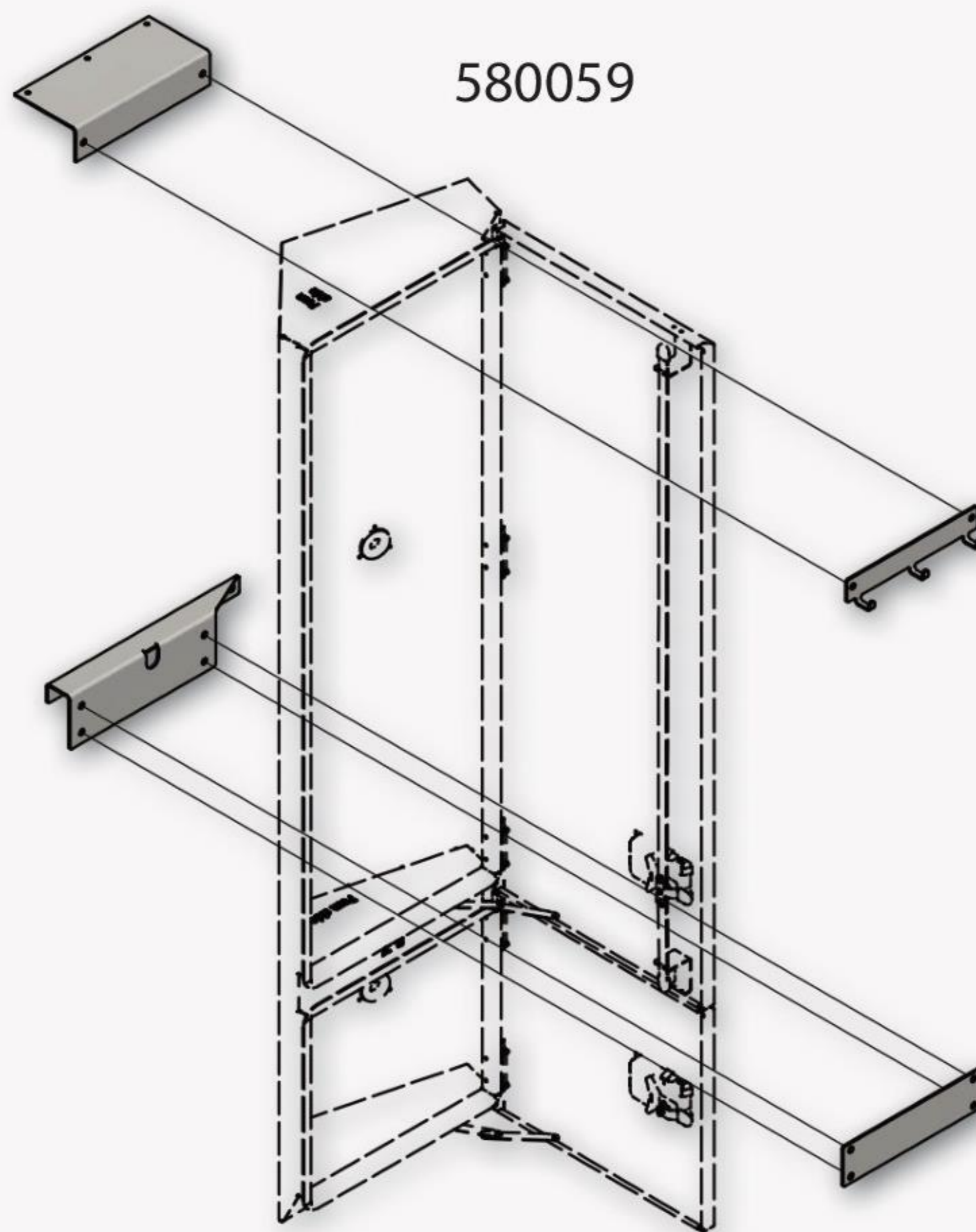
Art. No.	Lid	L (mm)	H (mm)	D (mm)	Note
587991	Side hinged	560/400	2000	300/120	Mount. at spoiler left side
587992	Side hinged	560/400	2000	300/120	Mount. at spoiler right side

580058



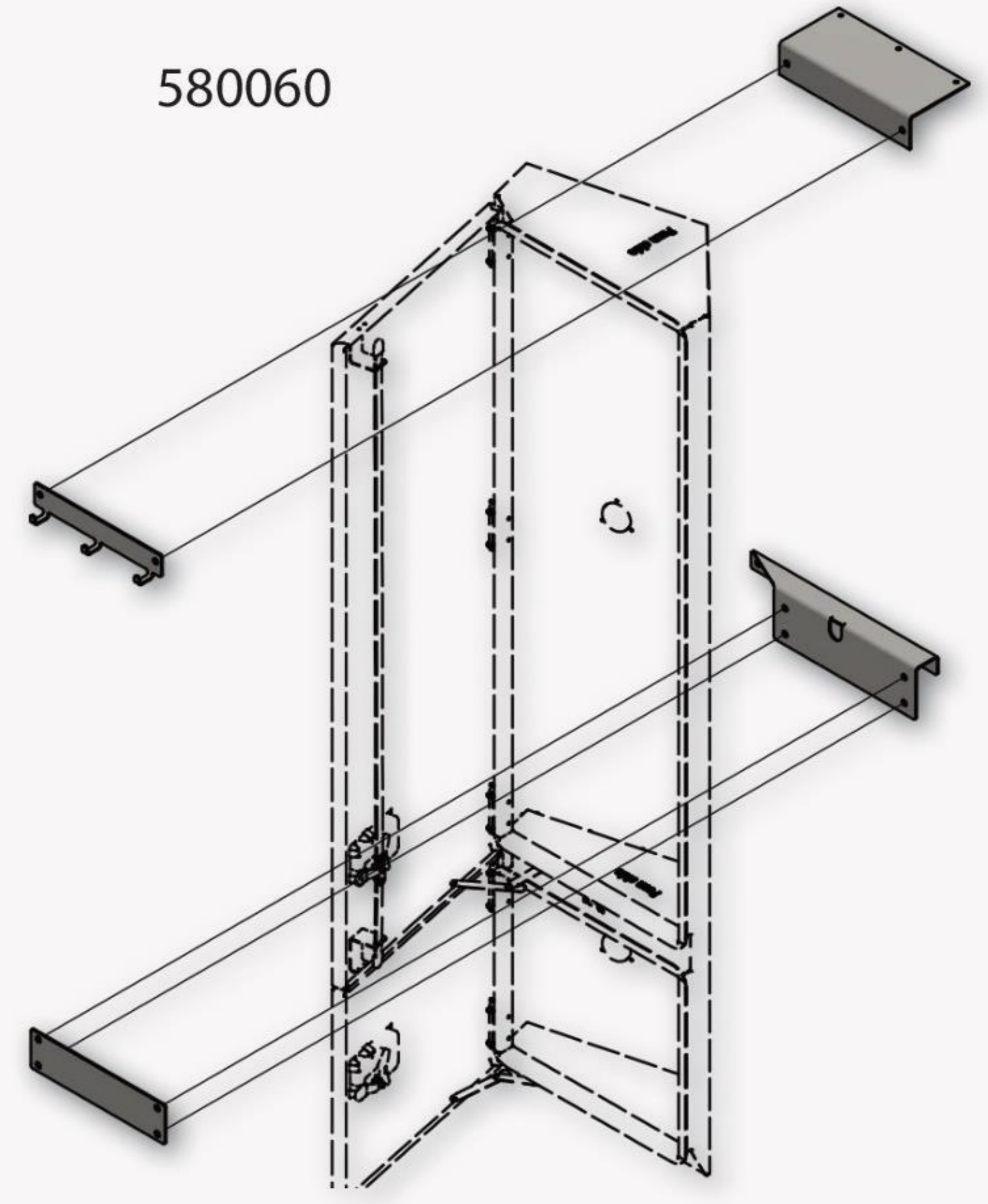
BRACKET Galvanised  
BevoBox™ right  
Scania

580059



BRACKET Stainless steel  
BevoBox™ left  
Scania

580060



BRACKET Stainless steel  
BevoBox™ right  
Scania



# BEVOBOX™ PLYWOOD



## BEVOBOX™ PLYWOOD BOTTOM HINGED

Art. No.	Lid	L (mm)	H (mm)	D (mm)	Note
588086	Bottom hinged	600	600	600	With aluminium frame
585740	Bottom hinged	800	600	600	With aluminium frame
585695	Bottom hinged	1000	500	500	With aluminium frame
585682	Bottom hinged	1000	600	600	With aluminium frame
585683	Bottom hinged	1200	600	600	With aluminium frame





## BEVOBOX™ PLYWOOD SIDE HINGED

Art. No.	Lid	L (mm)	H (mm)	D (mm)	Note
585600	Side hinged	600	600	600	BevoFront™ without alu. frame
585601	Side hinged	800	600	600	BevoFront™ without alu. frame
585602	Side hinged	1000	600	600	BevoFront™ without alu. frame

## BEVOBOX™ PLYWOOD SIDE HINGED WITH DECOR

Art. No.	Lid	L (mm)	H (mm)	D (mm)	Note
585872	Side hinged, right	1000	600	600	With decor
585874	Side hinged, left	1000	600	600	With decor

## LOAD BOX/TRAY BOX

Art. No.	Lid	L (mm)	H (mm)	D (mm)	Note
585737		1900	600/550	600	Load box
585738		2000	600/550	600	Load box
585652		1260	500/200	500	Tray box

## BevoBox™ Plywood

BevoBox™ Plywood is the classic plywood toolbox. It consists of a sturdy frame made of anodised aluminium and sides in waterproof plywood boards.

The aluminium frame is welded together before the plywood sides are fitted, and all joints sealed to ensure a waterproof and highly durable construction.

BevoBox™ Plywood comes with a plywood surface or clad in anodised aluminium, polished stainless steel or galvanised sheet.

### Facts

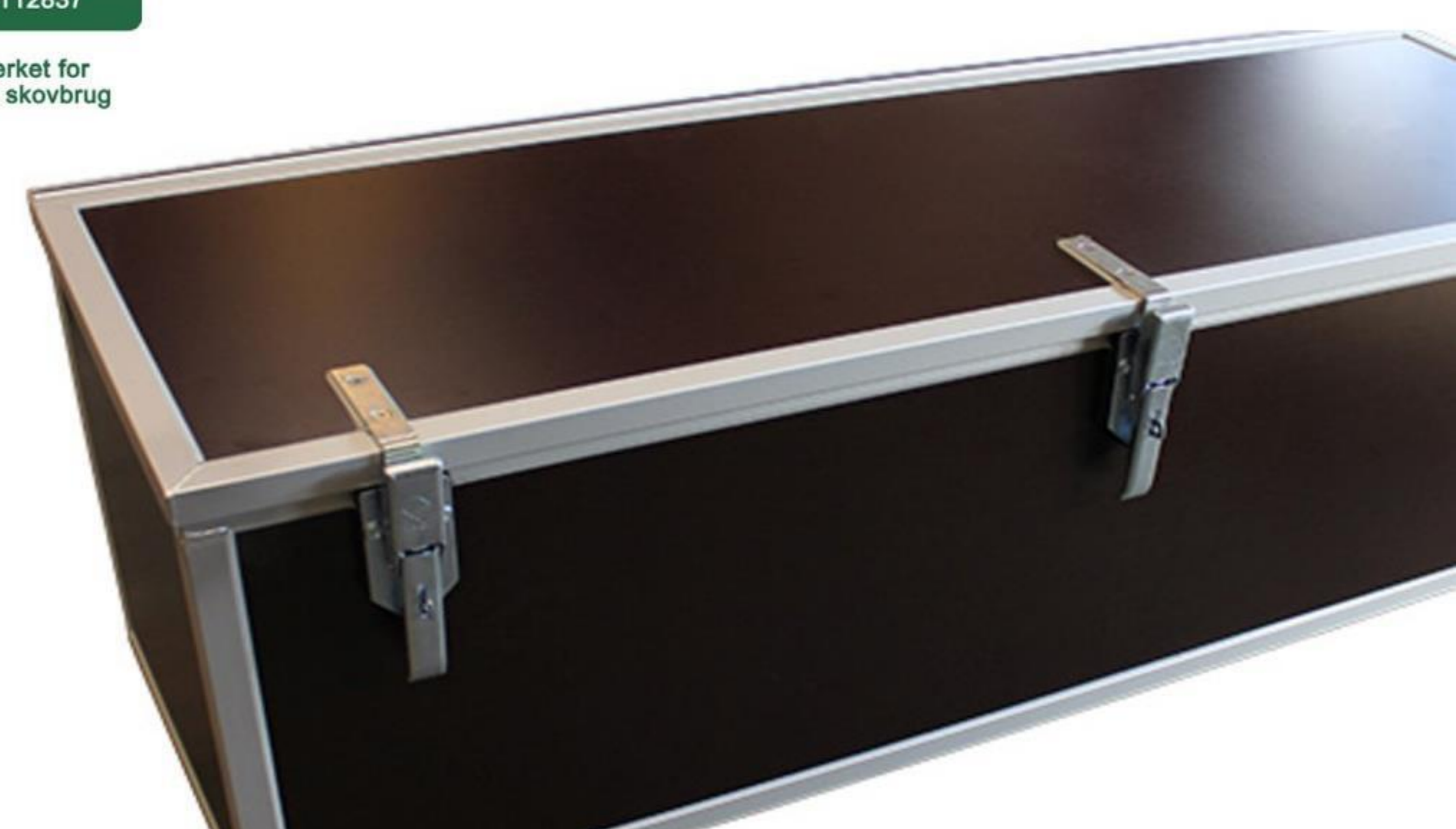
- Welded frame in saltwater-resistant aluminium
- Sturdy FSC-certified 120 g film-coated and high quality birch plywood
- Specially-developed profiles
- Many customisation options
- Available with side, bottom or top hinged lid

Accessories (see pp. 18-22)

- Shelf
- Cargo strap drawer
- Flexible drawer including rails and drawer stop
- Chain drawer
- LED light
- Heating element with fan
- Heating element
- Bottom mat
- Plywood bottom



Miljømærket for ansvarligt skovbrug



# ACCESSORIES



Flexible shelf

Art. No. 687204 500-800 mm  
Art. No. 687206 800-1200 mm



End set for flexible shelf

Art. No. 687202      496 x 438 mm  
Galvanised



Cargo strap drawer

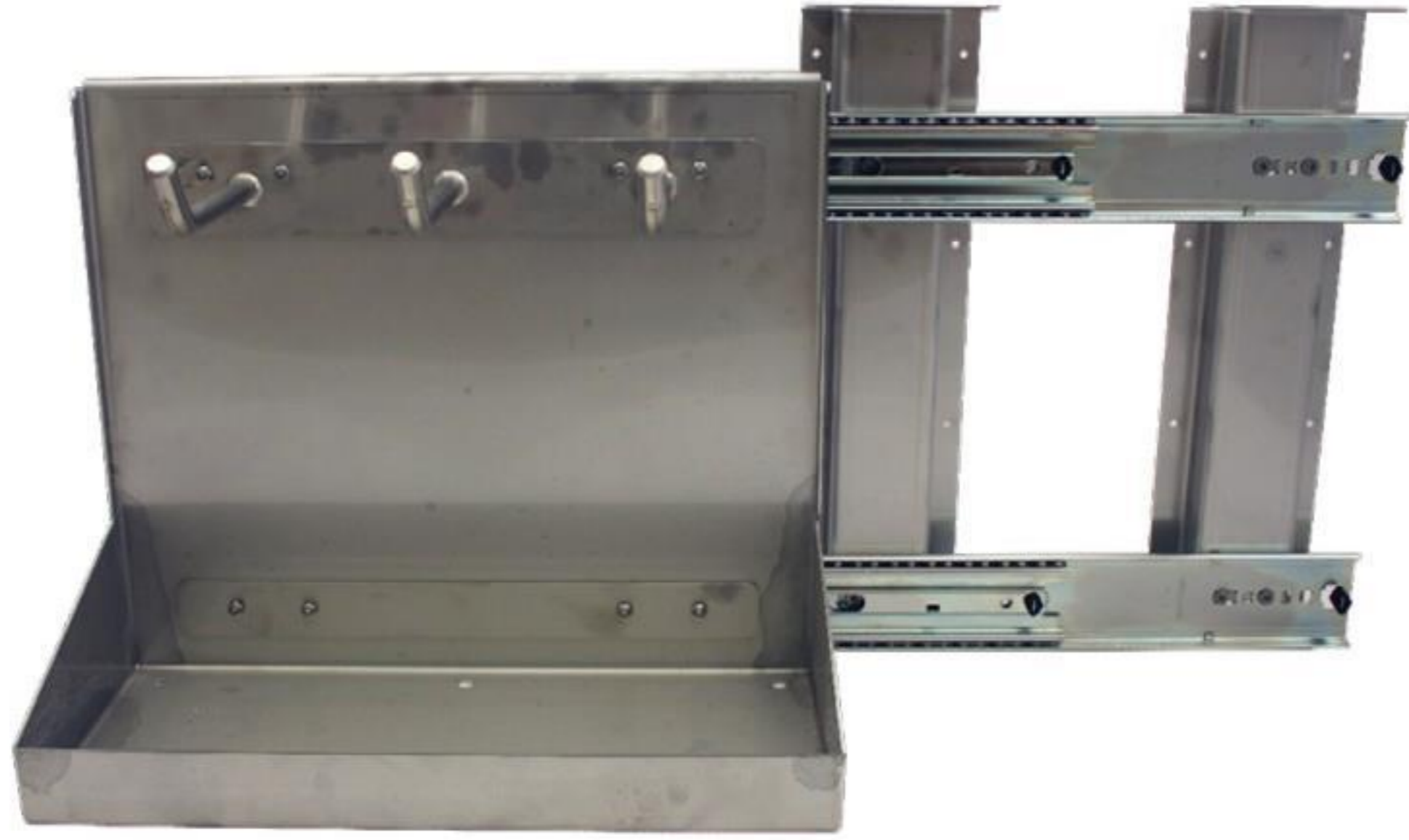
Art. No. 660264 14 rum  
Galvanised



Flexible drawer

Art. No. 687250L550-800 mm  
Min. Depth: 600 mm  
Art. No. 687251      L800-1350 mm  
Min. Depth: 500 mm

# ACCESSORIES



Chain drawer

Art. No. 687907 L480 x H452 x D283 mm



LED light

Art. No. 430120

24V

4W

500 mm

Art. No. 430127

12V

4W

500 mm



Heating element with fan

Art. No. 498263

24V

170W

L219 x H121,5 x D80 mm

Art. No. 498246 24V

300W

L219 x H121,5 x D80 mm

Art. No. 498247

24V

750W

L219 x H121,5 x D80 mm



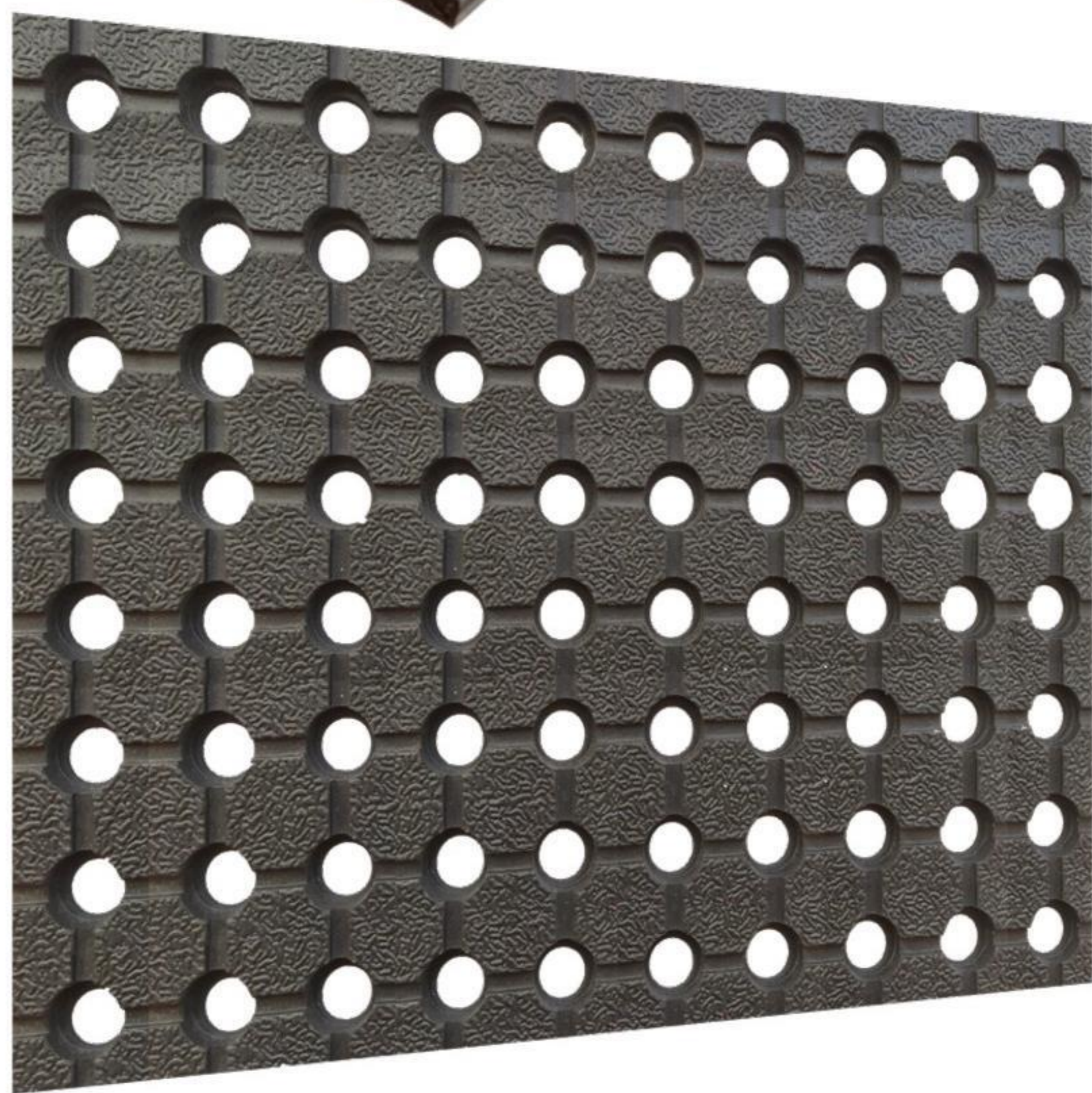
Heating element

Art. No. 580020 24V

90W

385 x 275 x 10 mm

# ACCESSORIES



BEVOBOX™ BOTTOM MAT FOR MIX/ALU/STAINLESS STEEL

Art. No.	L (mm)	D (mm)	Note
583541	1000	400	
583546	600	400	
583548	800	400	
583551	1000	500	
583553	300	500	
583554	400	500	
583555	500	500	
583556	600	500	
583558	800	500	
583561	1000	600	
583562	1200	600	
583563	330	600	
583565	500	600	
583566	600	600	
583568	800	600	
583569	900	600	

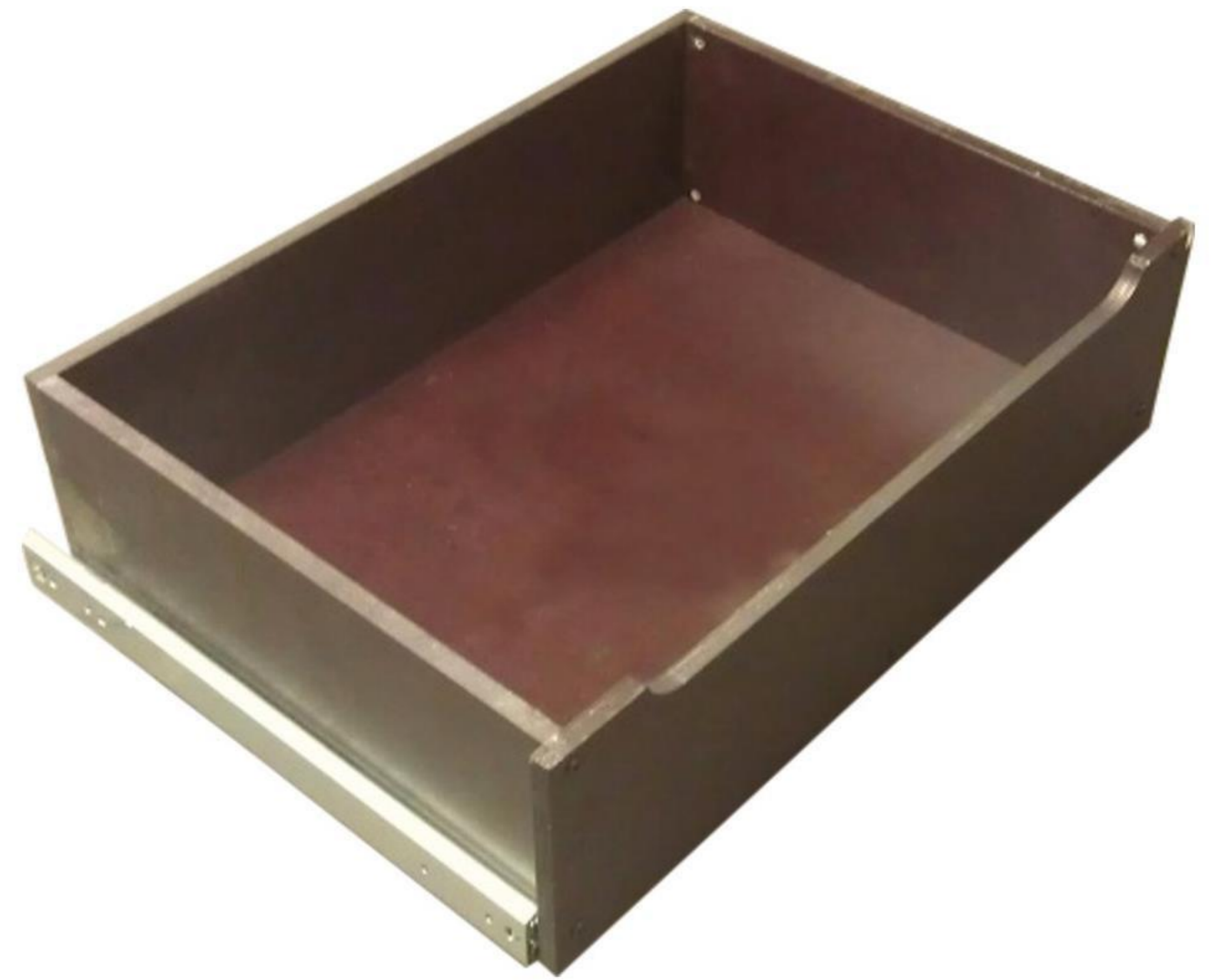
# ACCESSORIES



## BEVOBOX™ PLYWOOD BOTTOM

Art. No.	L (mm)	D (mm)	Note
585828	300	500	
585840	330	600	
585832	500	500	
585820	500	600	
585822	600	400	
585830	600	500	
585842	600	600	
585824	800	400	
585834	800	500	
585762	800	600	
585844	900	600	
585826	1000	400	
585836	1000	500	
585789	1000	600	
585846	1200	600	

# ACCESSORIES



## PLYWOOD DRAWER INCL. RAILS AND STOP

Art. No.	L (mm)	H (mm)	D (mm)	Note
585603	482	200	500	Incl. rails & stop
585604	682	200	500	Incl. rails & stop
585605	882	200	500	Incl. rails & stop

## PLYWOOD SHELF

Art. No.	L (mm)	D (mm)	Note
585610	600	600	
585611	800	600	
585612	1000	600	

# BEVOBOX™ SANDWICH



## BevoBox™ Sandwich

A lightweight version of the classic plywood box. The construction is the same, but the plywood board is replaced by a sandwich board consisting of two layers of white fibre glass between the foam cores.

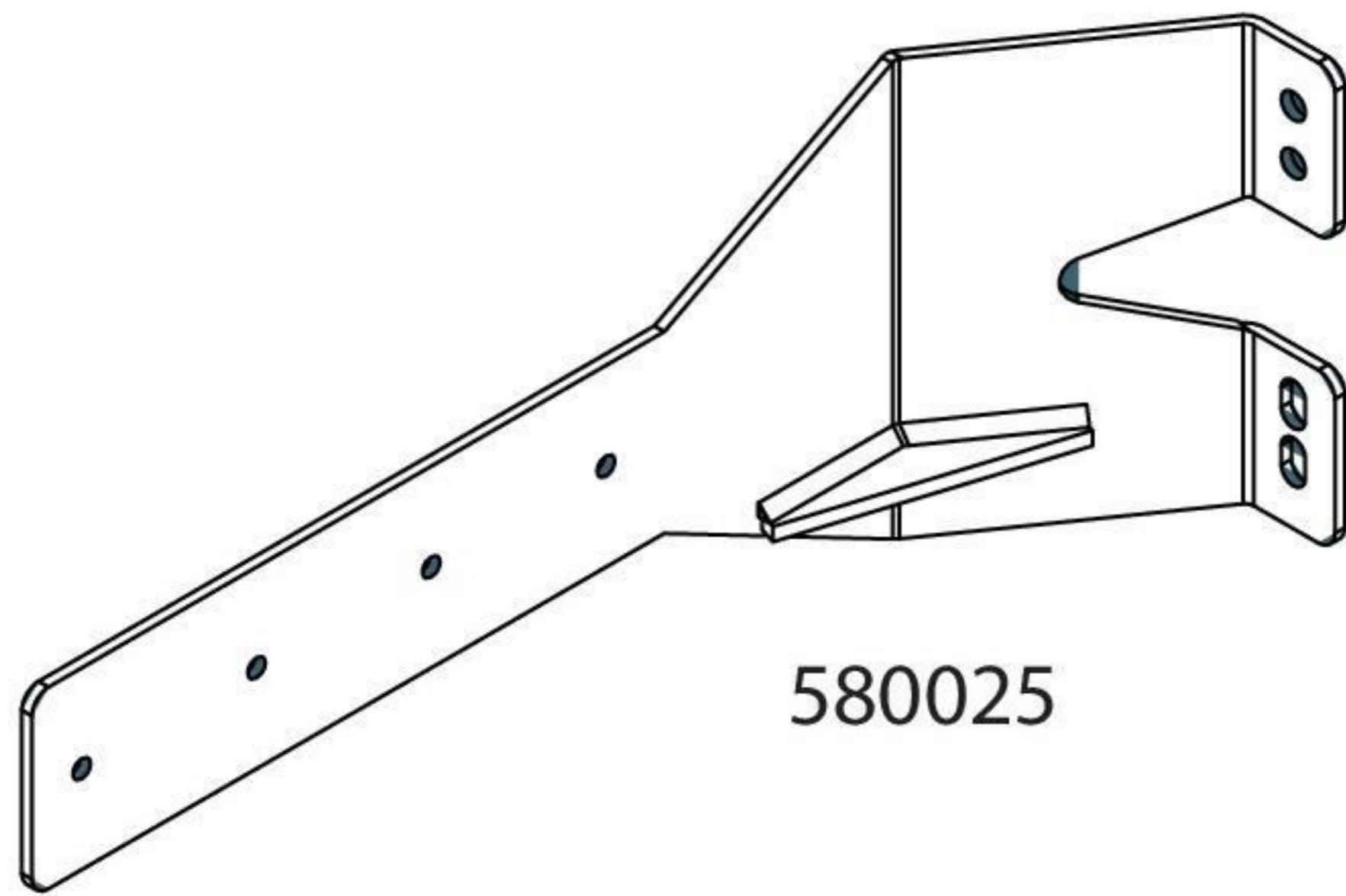
Sandwich boxes are ideal for extreme conditions. BEVOLA's sandwich boards can be specially made within internal reinforcement for mounting equipment.

### Facts

- Welded frame in saltwater-resistant aluminium
- Double layer white fibre glass with lightweight insulating cellular material
- Tolerates aggressive maritime environments
- Integrated reinforcement available
- Very lightweight construction
- Available with side or bottom hinged lid

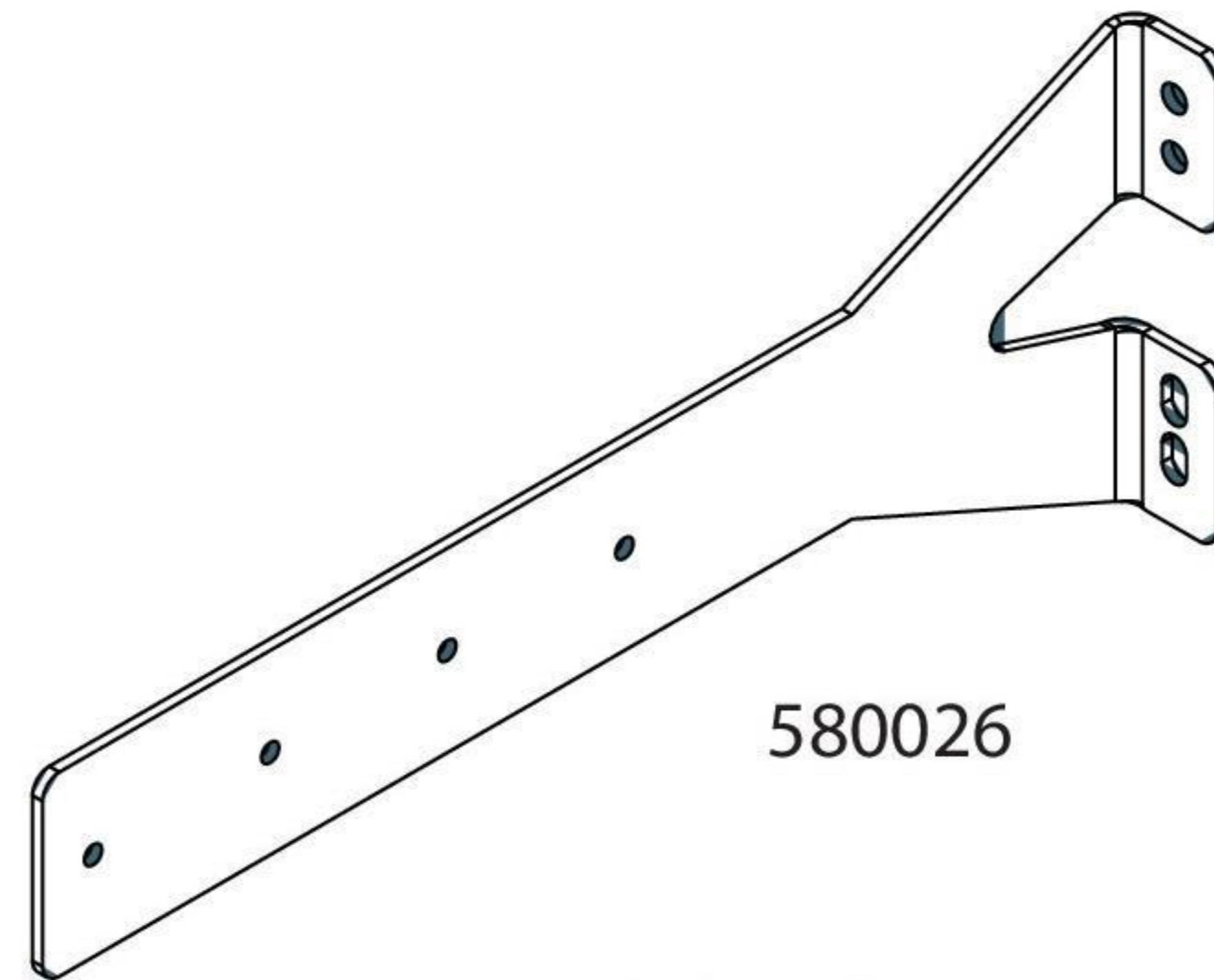


# BRACKET



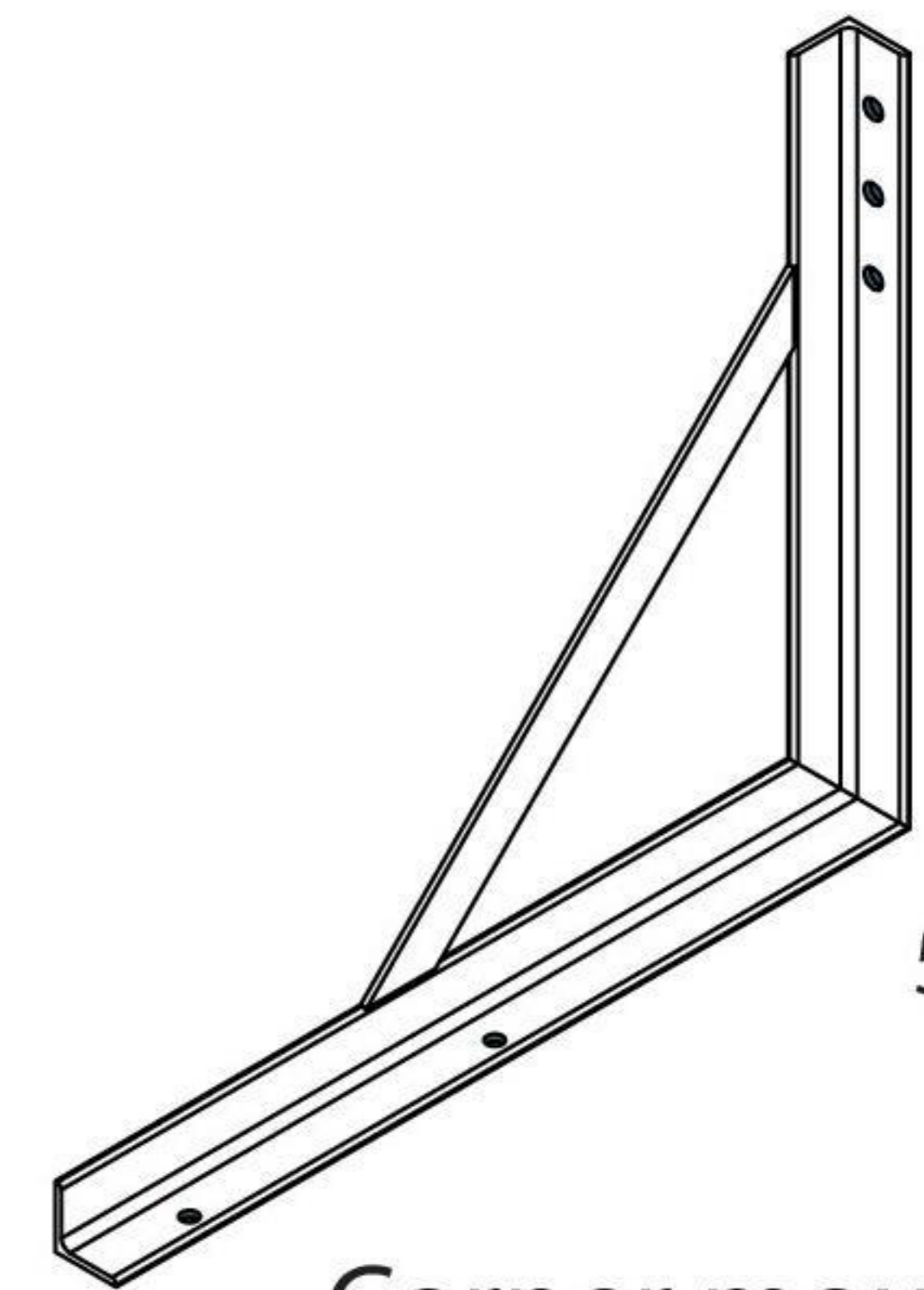
580025

Type Y: Offset  
Galvanised 125 kg.\*



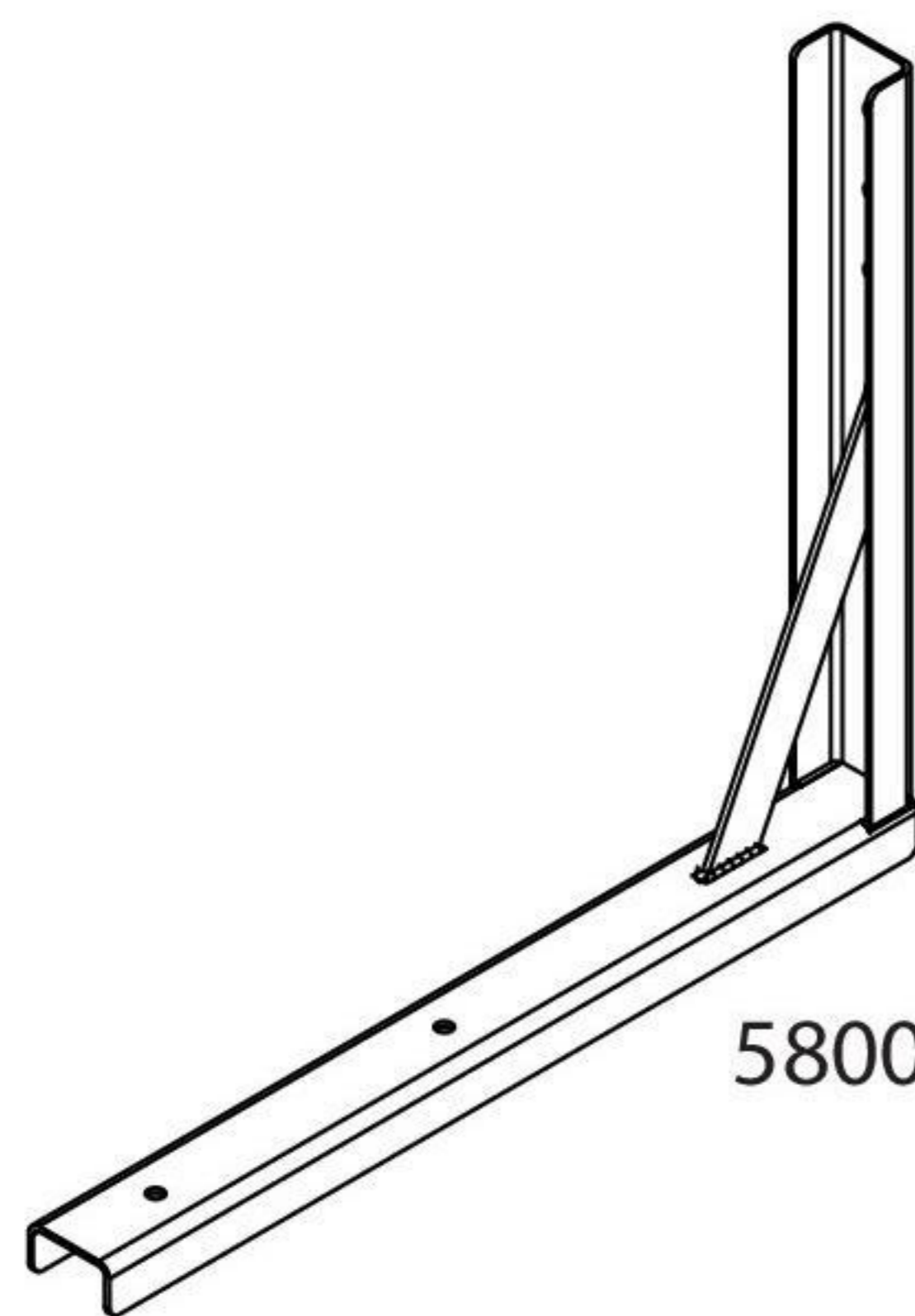
580026

Type Y: Straight  
Galvanised 125 kg.\*



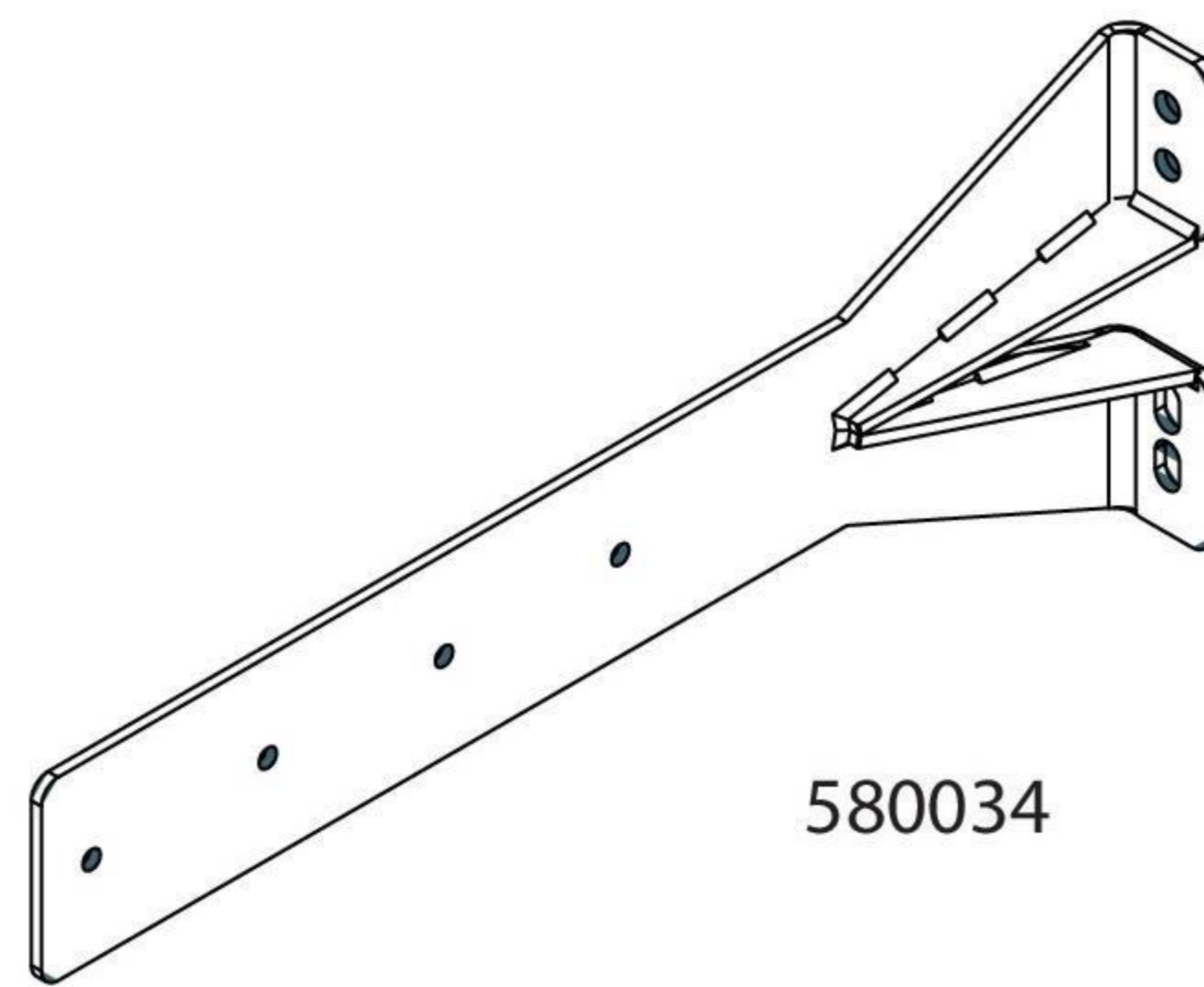
580028/580029

Corner mounted  
Galvanised 125 kg.\*



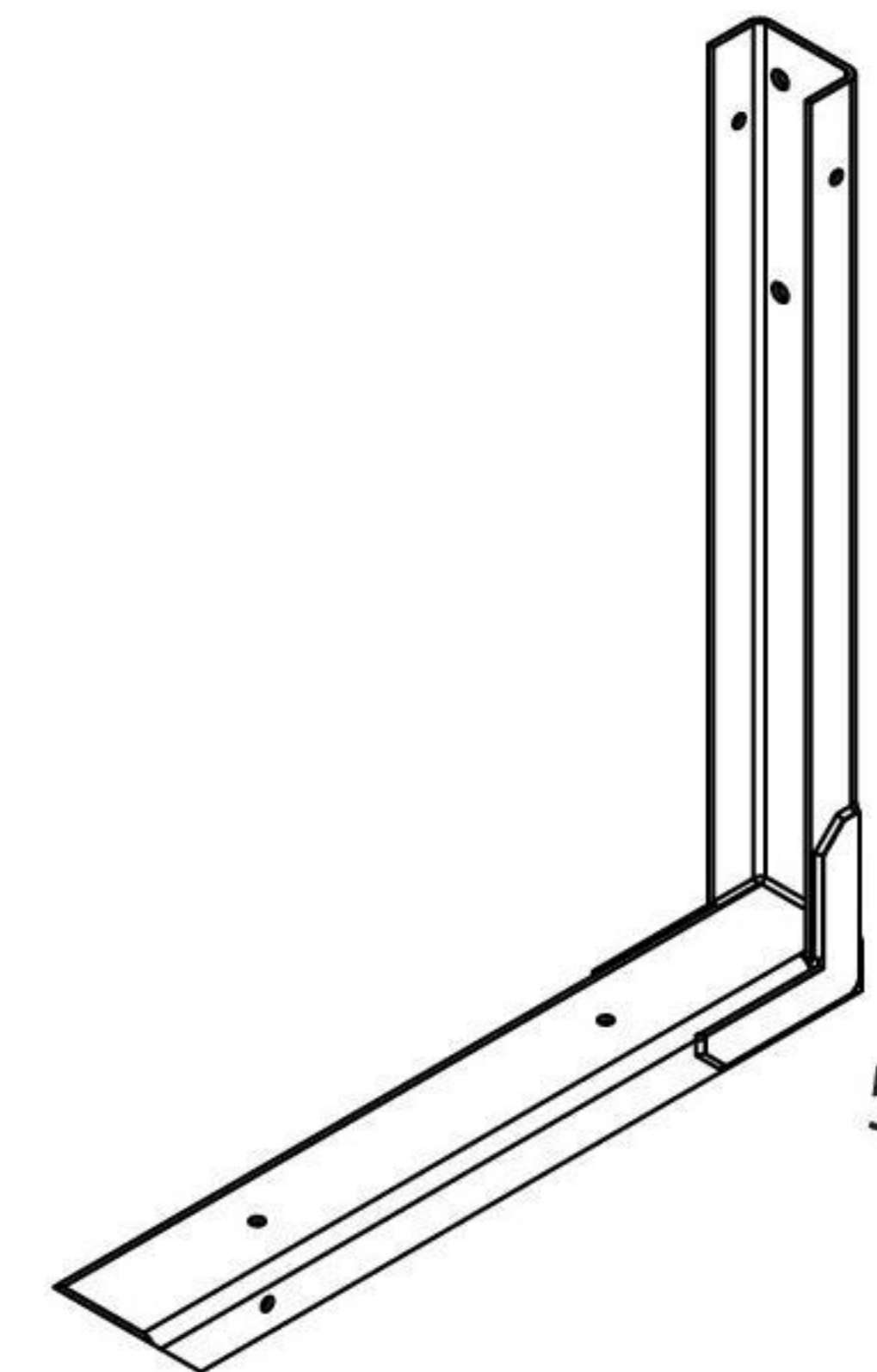
580030

Underlying  
Galvanised 125 kg.\*



580034

Type Y: Straight. Reinforced  
Galvanised 150 kg.\*



588022

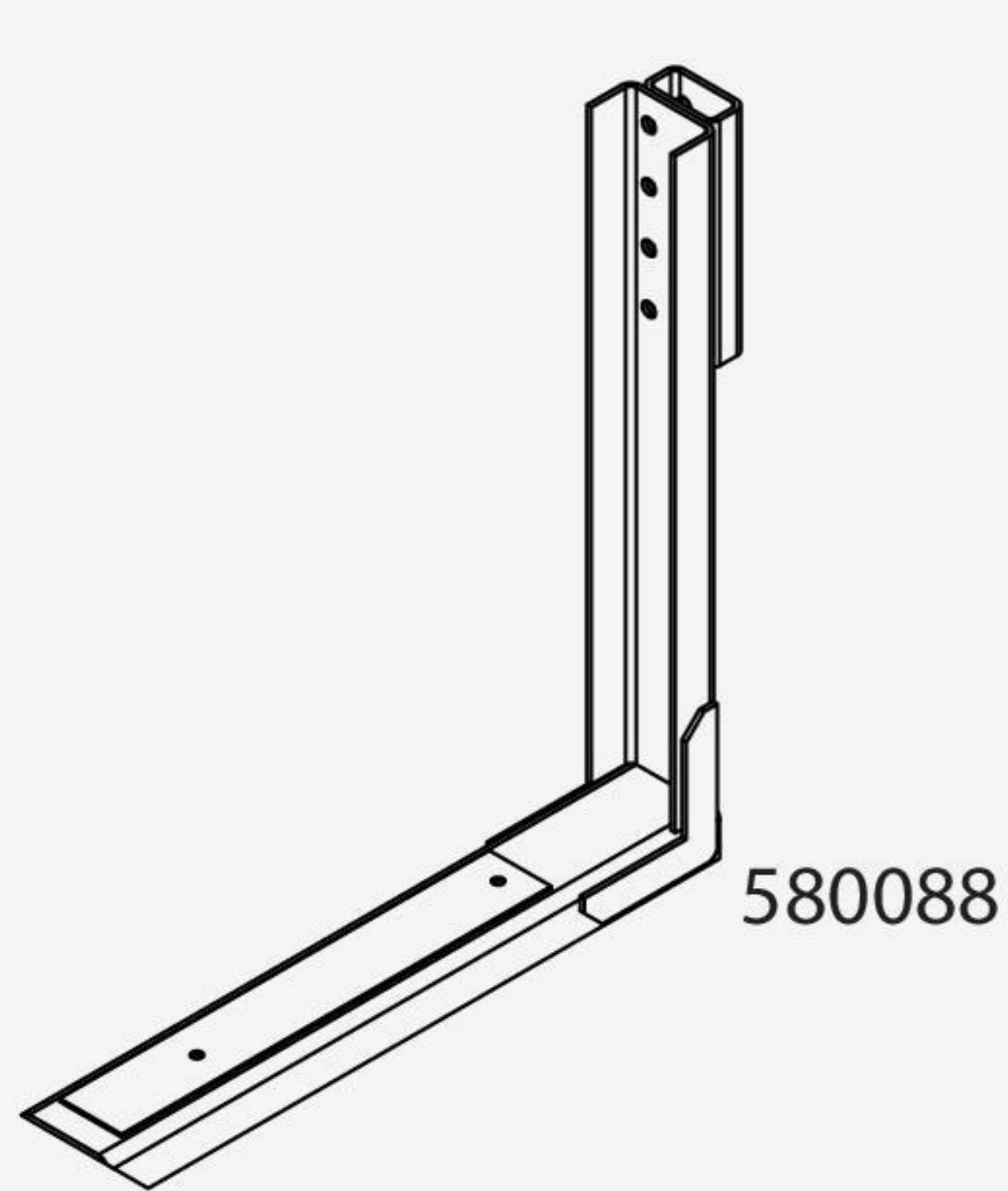
Reinforced  
Galvanised 150 kg.\*

Art. No.	Max loading	Surface	Note
580025	125 kg*	Galvanised	Type Y - Offset
580026	125 kg*	Galvanised	Type Y - Straight
580028	125 kg*	Galvanised	Corner mounted, left
580029	125 kg*	Galvanised	Corner mounted, right
580030	125 kg*	Galvanised	Underlying
580034	150 kg*	Reinforced Galvanised	Type Y - Straight
588022	150 kg*	Reinforced Galvanised	Underlying
588088	150 kg*	Galvanised	With spacer block
583114	150 kg*	Galvanised	for BevoBox™ 683760
583116	150 kg*	Galvanised	for BevoBox™ 683761
934525			Support bracket
580050	65-130 kg	Pre-galvanised	Flex bracket
580054	65-130 kg	E-coat + powder-coated	Flex bracket

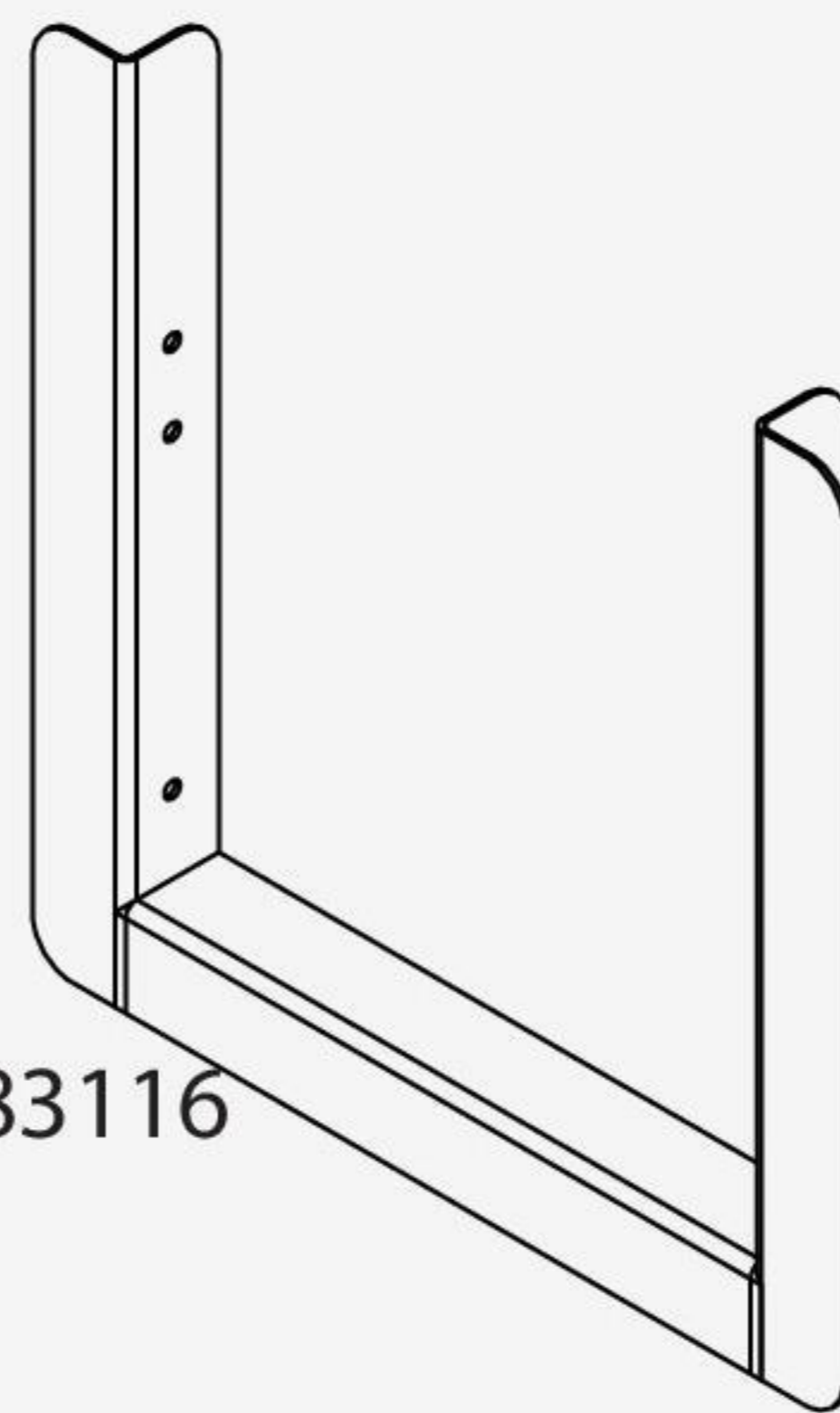
\* Max. static loading



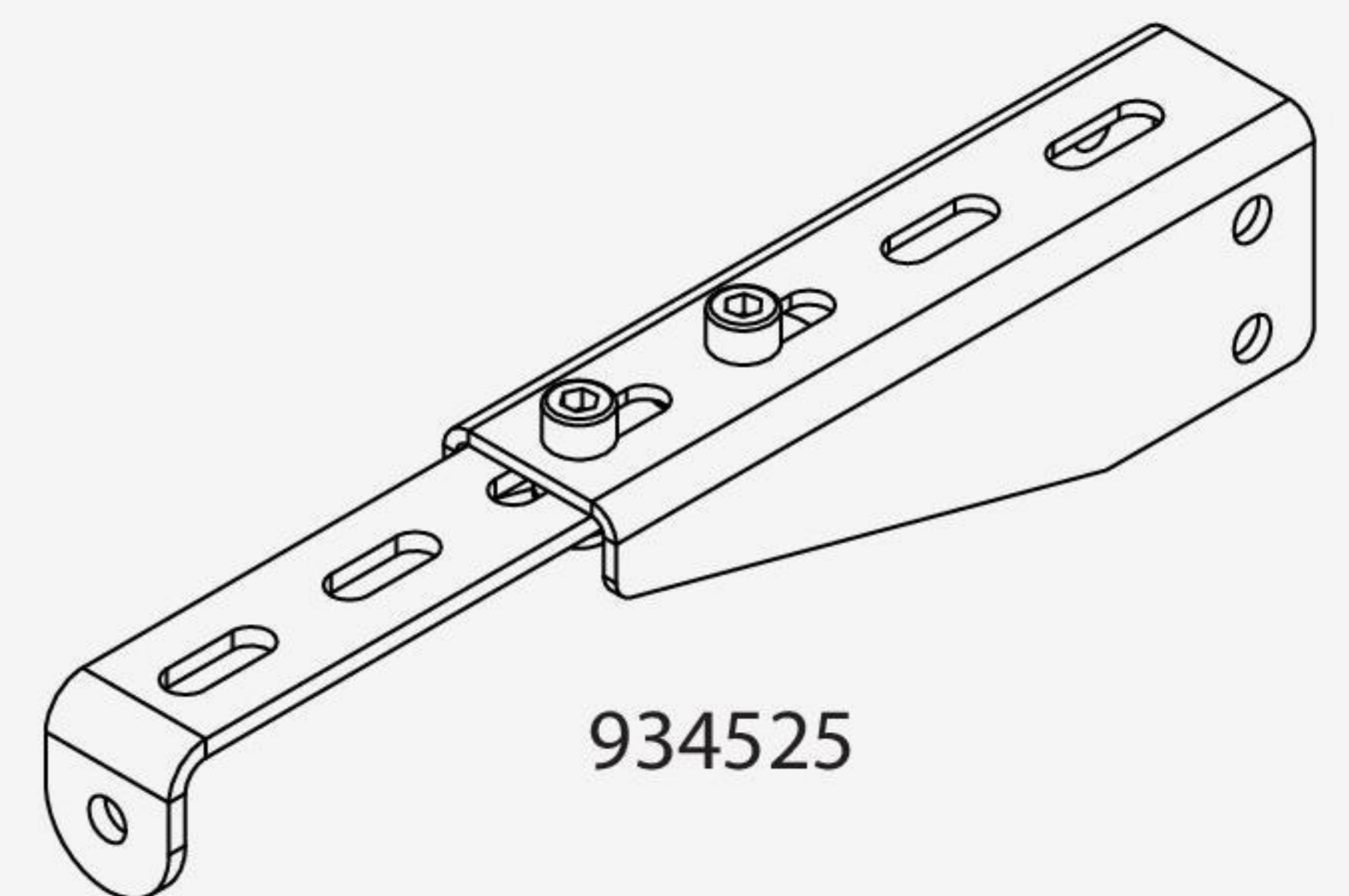
# BRACKET



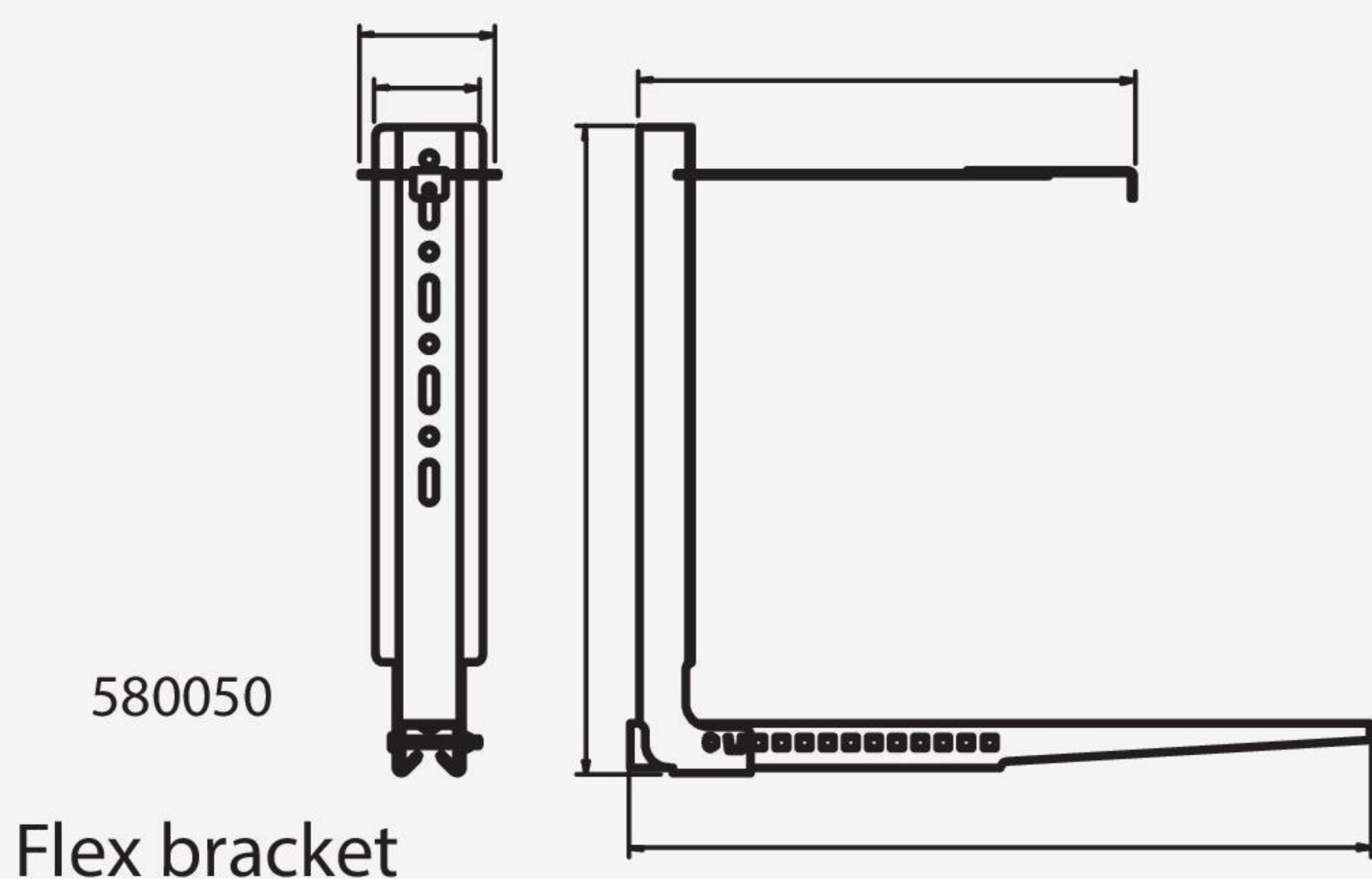
Galvanised 150 kg.\*



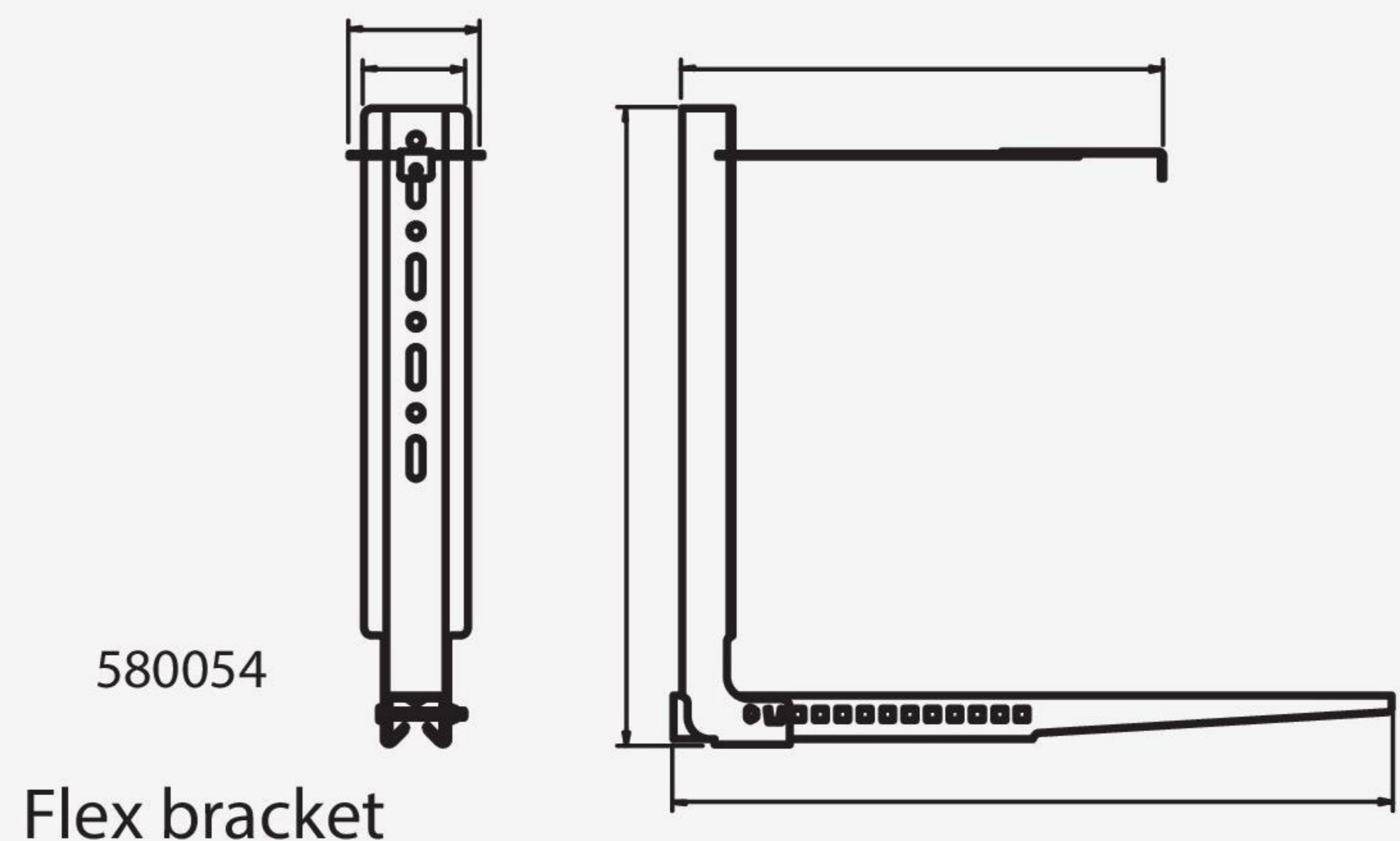
for BevoBox™ tunnel boxes  
Galvanised 150 kg.\*



Support bracket



Flex bracket



Flex bracket

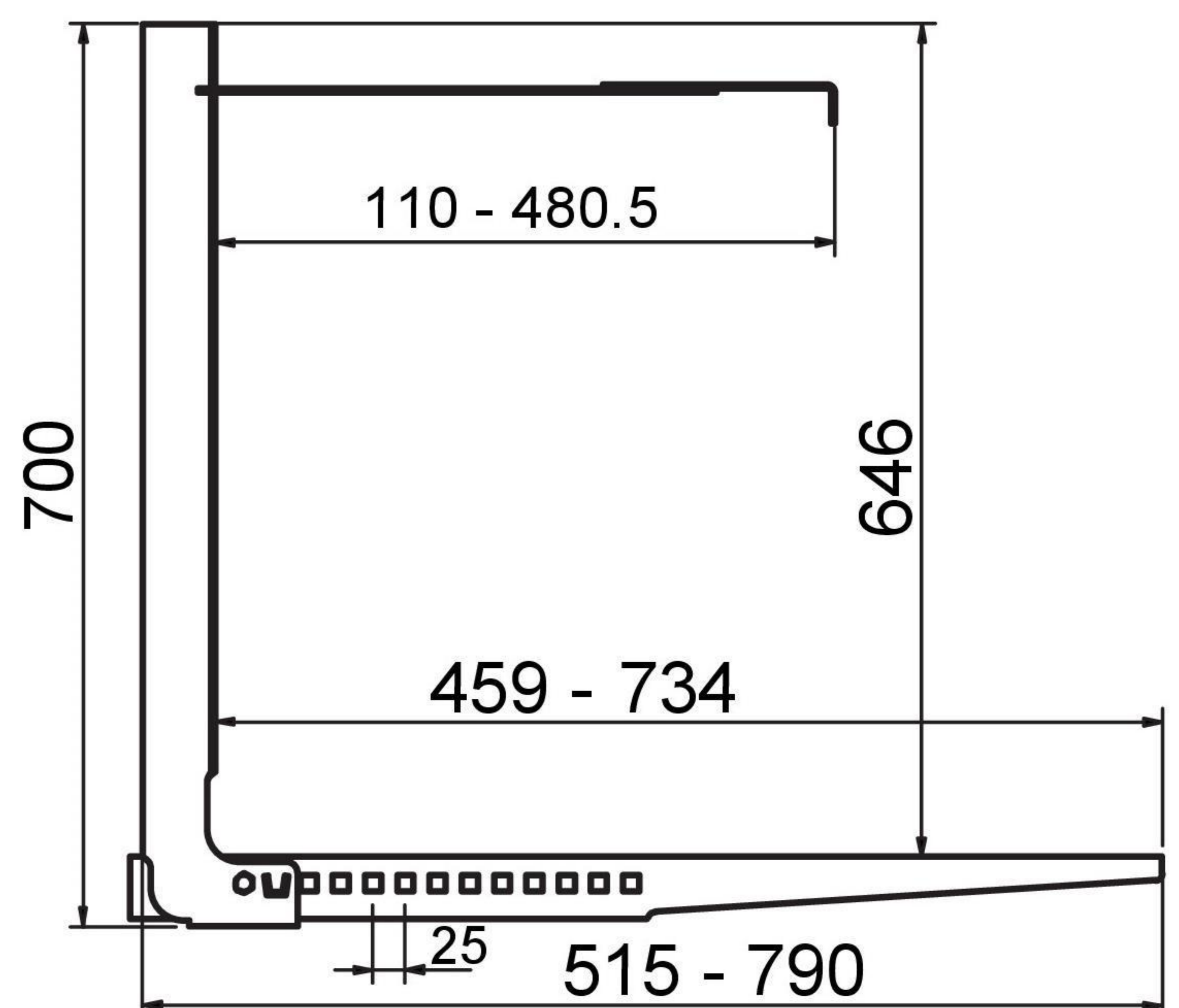
## Flex bracket

BEVOLA's unique flexible support makes it possible to solve all bracket requirements with a single product.

FlexBracket is fitted with a strong, self-locking click system. When the required length is reached, the two components click together. Any surplus material can be cut off or left in place.

FlexBracket is fitted with a top lock adding further rigidity from the toolbox itself, strengthening the system. FlexBracket comes in pregalvanised or powder-coated sheet metal.

It can be used for mounting all types of BevoBox™ and can bear up to 130 kg per bracket, depending on length



# BOX/TANK SYSTEM

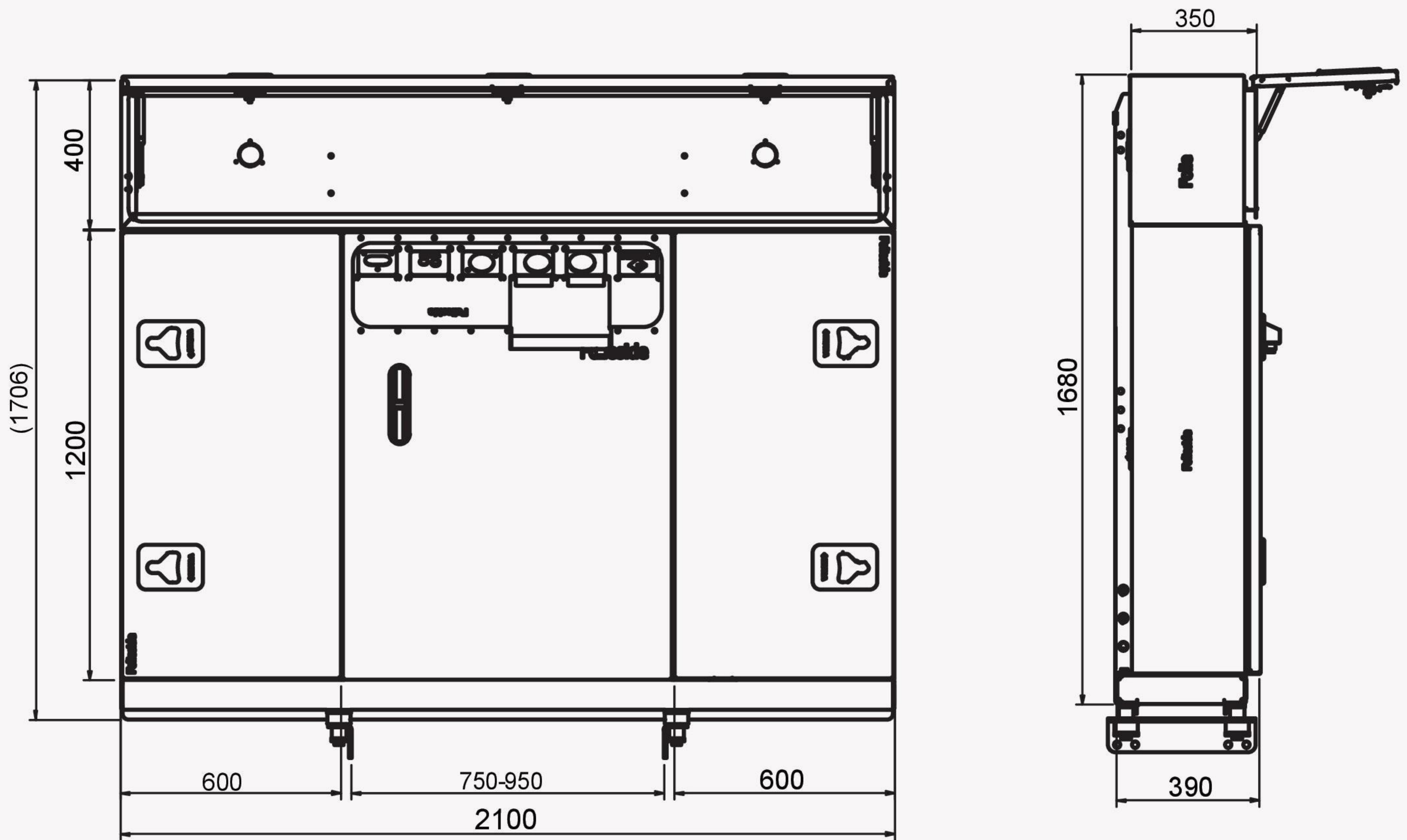


## BOX/TANK SYSTEM WITH ADAPTERPLADER

Art. No.	L (mm)	H (mm)	D (mm)	Tank litre	Note
579026	2100	1725	390	200	Delivered mounted on galvanised frame



# BOX/TANK SYSTEM



## Box/tank system

A smart, space-saving system mounted behind the cab. A combination of BevoBox™ toolbox and a 200 litre tank.

Perfect for extra storage space. Comes with additional adjustable mountings on different chassis widths.

Adapter plate for hydraulics, EBS, Duo-matic and electrical switches.

CONTACT Customer Service for any questions or special requirements for a new box/tank system for your truck.



# PLASTIC BOXES



## PLASTIC TRIANGULAR TOOLBOX

Art. No.	Lid	L (mm)	H (mm)	D (mm)	Note
581092		4400	275	330	Triangular

## PLASTIC TOOLBOXES

Art. No.	Lid	L (mm)	H (mm)	D (mm)	Note
581086		400	300	370	
581088		500	400	370	
581090		600	400	490	
581089		600	450	470	
581087		800	500	490	

## PLASTIC BOXES

Art. No.	Lid	L (mm)	H (mm)	D (mm)	Note
581003		650	500	480	
581002		800	500	480	
581001		1000	500	480	

# SPECIAL SOLUTIONS

## BevoBox™

We supply a range of all forms of special solutions within boxes and cabinets from our modern production facilities. We make most boxes and cabinets according to the customer's requirements and specifications, to achieve a solution precisely fit for purpose.

We produce everything from lightweight boxes to solutions with extremely high shear strength, or for which hygiene is vital.

CONTACT Customer Service for any questions or special requirements for a new BevoBox™ toolbox.



# SPECIAL SOLUTIONS



# Customised boxes for any requirement



# SPECIAL SOLUTIONS

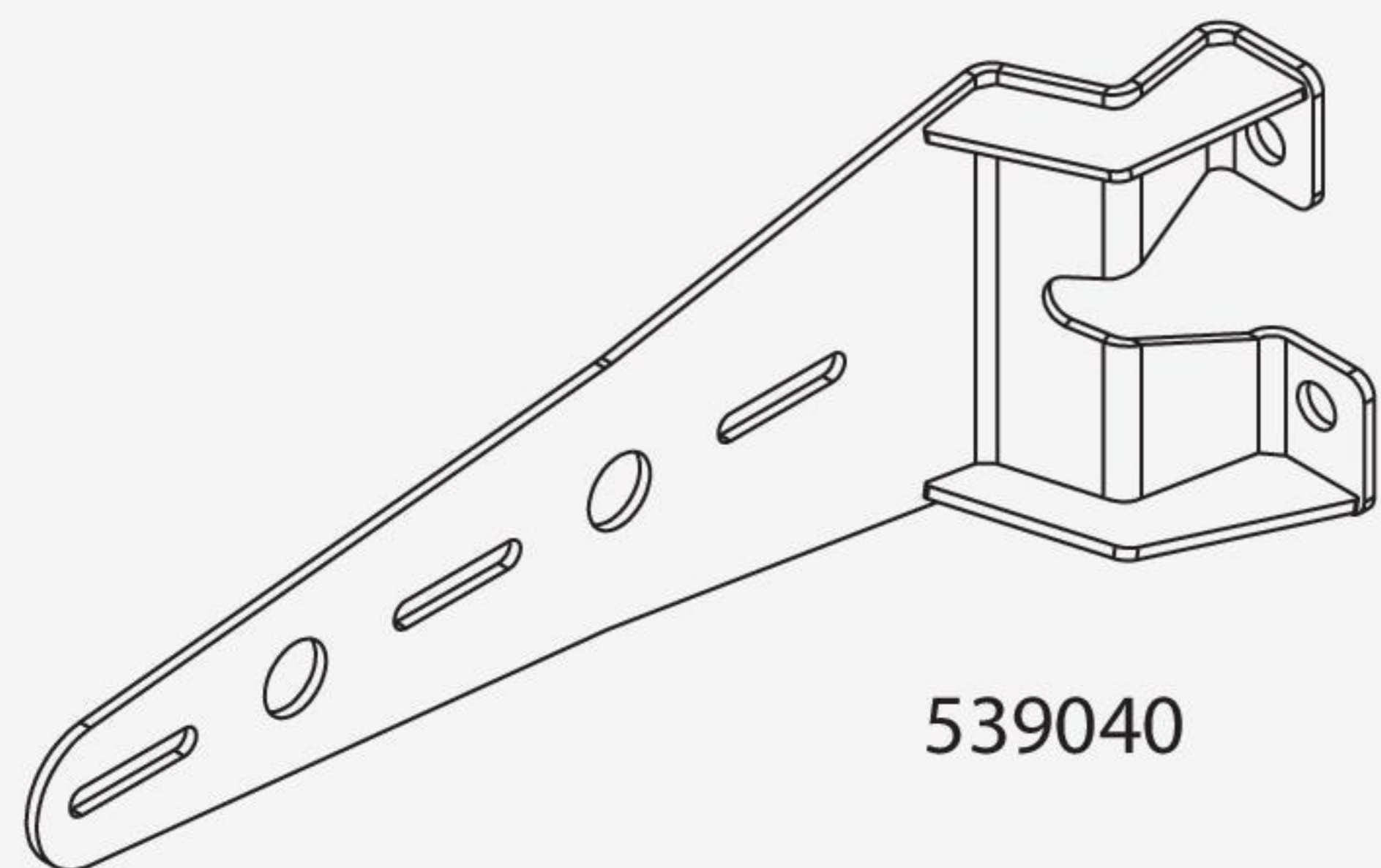




# Customised boxes for any requirement

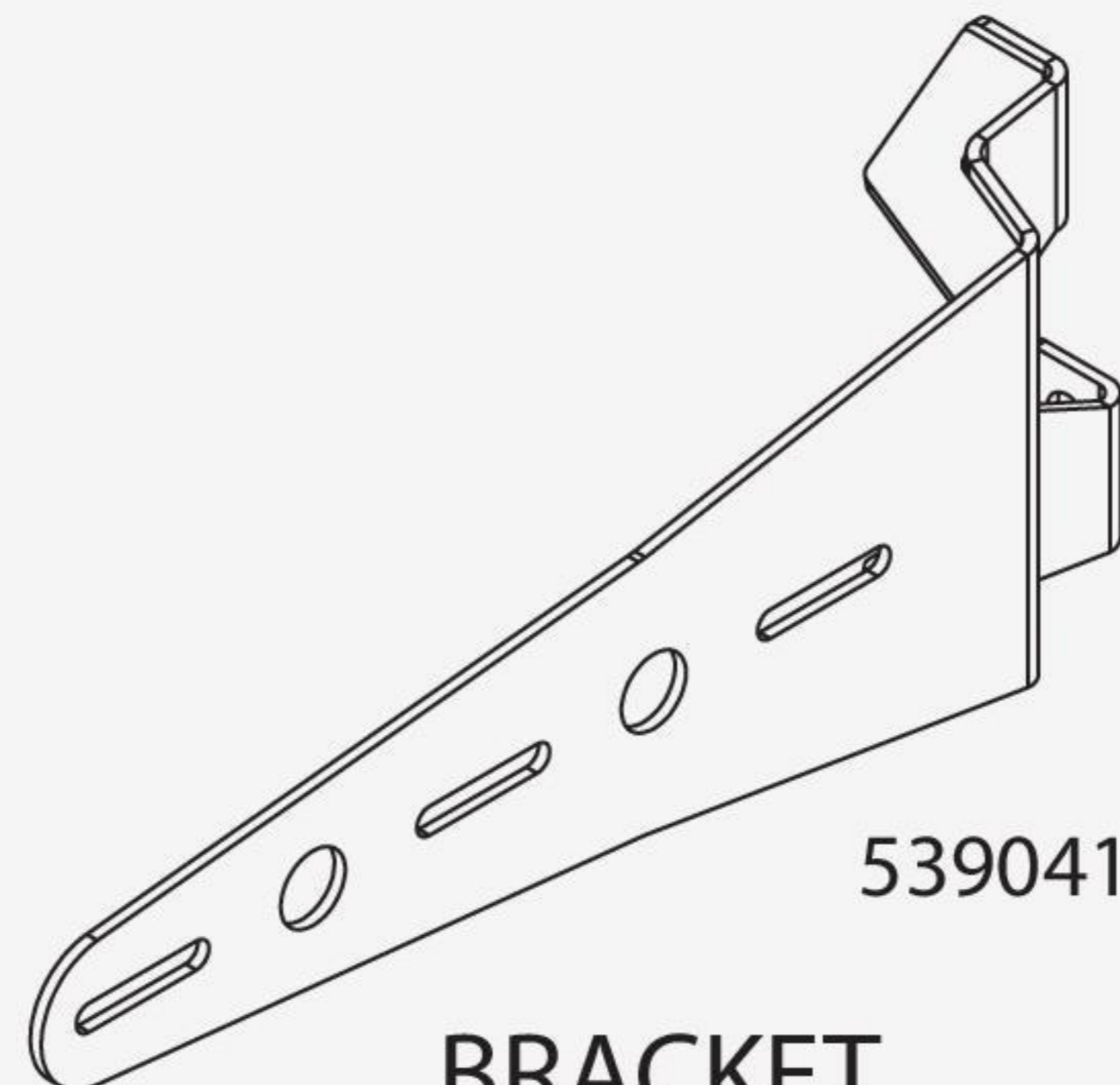


# BEVOGRIP™ SAND SPREADER



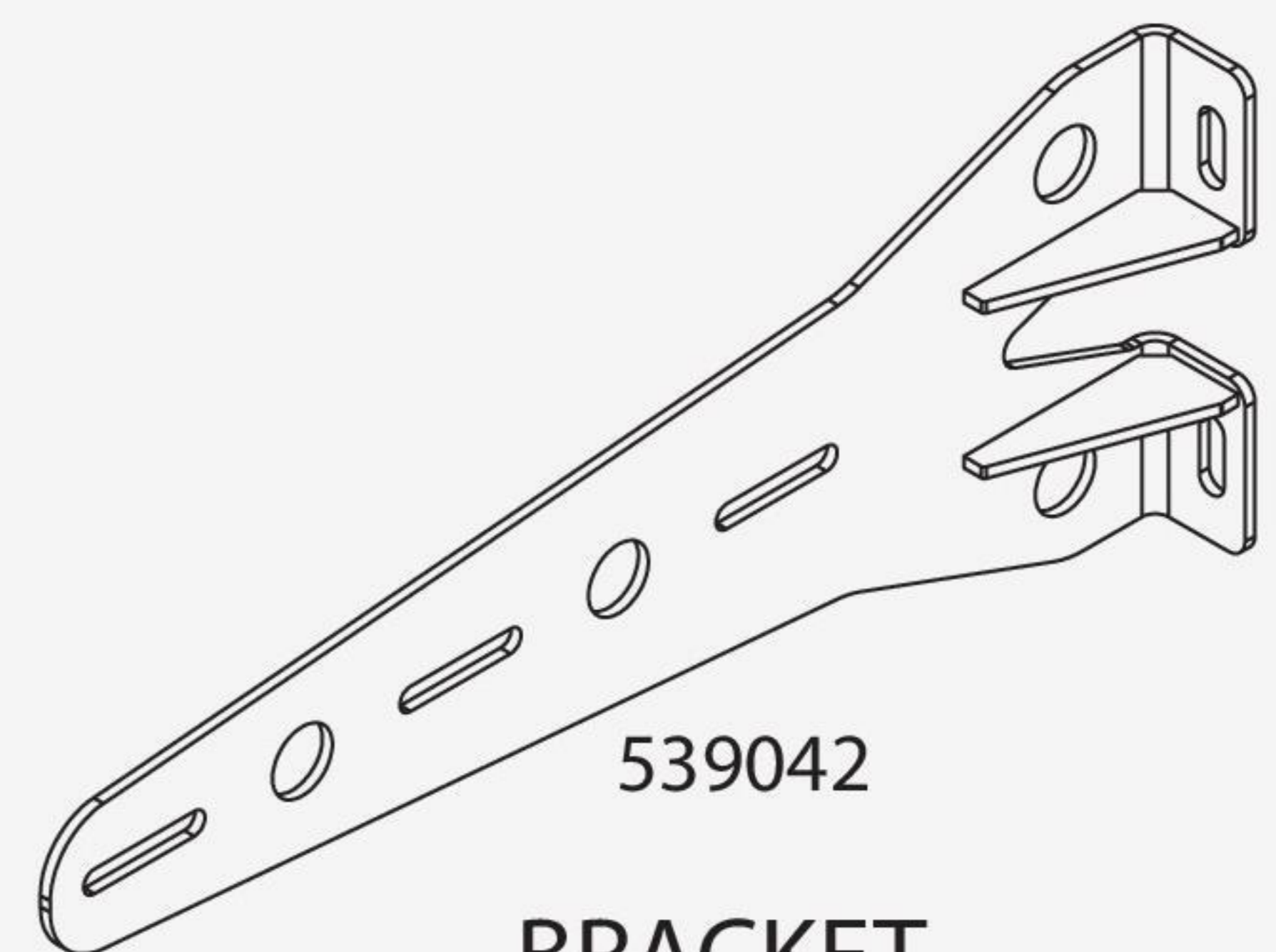
539040

BRACKET  
BevoGrip™, left  
Galvanised  
Scania



539041

BRACKET  
BevoGrip™, right  
Galvanised  
Scania



539042

BRACKET  
BevoGrip™  
Universal

## BRACKET FOR BEVOGRIP™ SAND SPREADER

Art. No.	Max loading	Surface	Note
539040		Galvanised	for BevoGrip™, left
539041		Galvanised	for BevoGrip™, right
539042			for BevoGrip™



# BEVOGRIP™ SAND SPREADER

## BevoGrip™ Sand spreader

The BevoGrip™ Sand spreader is specially developed for the demanding Nordic climate with extremely low temperatures. The BevoGrip™ is produced by BEVOLA - it ensures great robustness, quality and long durability.

The BevoGrip™ is controlled from a socket in the truck's cab.

Well-known quality parts from Bosch, Teleradio and Backer have been used for BevoGrip™, and the built-in heater is located in the sand close to the drive shaft to ensure the best possible utilization of the heat energy.

### Facts

- Box in seawater-resistant aluminum
- Stainless steel door
- Low dead weight
- Power consumption only 6A
- Automatic protection against overload
- Automatic stop function after 2½ minutes
- Energy optimal placement of heating element



BevoGrip™ Truck

539078+539090



BevoGrip™ 330



BevoGrip™ 200

### BEVOGRIP™ SAND SPREADER

Art. No.	Model	L (mm)	H (mm)	D (mm)	Volumen	Weight (kg)	Note
539044	200, R	200	600	650		19.5	W. cable & Deutsch connector
539045	200, L	200	600	650		19.5	W. cable & Deutsch connector
539046	330, L	330	600	650		28.2	W. cable & Deutsch connector
539047	330, R	330	600	650		28.2	W. cable & Deutsch connector
539140	300 Truck, R					28.5	For mounting on forklifts
539141	300 Truck, L					28.5	For mounting on forklifts

### ACCESSORIES FOR BEVOGRIP™

Art. No.			Note
539090	Cable	Wiring set A	for BevoGrip™ electronic v. A
539055	Top lid	Stainless steel, alu. frame	for BevoGrip™ 330
539078	Electronic		for BevoGrip™ v.2

Since the company was founded in 1968, BEVOLA has strived to supply quality products for HGVs, drawbar trailers and semi-trailers. Apart from our global procurement concept that now extends to over 6,500 item numbers, BEVOLA has its own R&D and production of a range of products and solutions for mounting on HGVs on the Nordic markets.

The products and solutions BEVOLA is renowned for include:

- BevoBox™ – high quality toolboxes in a huge range of variations
- BevoGrip™ – sand spreader, specially developed for the Nordic market
- BevoPlan™ – the perfect concept for better utilisation of the load bed
- BevoNac™ – a strong axle concept designed to ensure longer life, less maintenance and stable ride

## PRODUCTS AND SOLUTIONS



Axles and brakes



BevoBox™ tool boxes & accessories



BevoGrip™ Sand spreaders & snow chains



Coupling devices



Bodywork components



Load securing, ADR & signs



Exteriors, interiors & exhaust



Hydraulics & fuel tanks



Aluminium



Light & electrical components



Pneumatics & brake components



Cranes & lifting gear

## CONTACT BEVOLA

Our Customer Service and sales team are ready to help you find the products you need.

A/S BEVOLA  
Huginsvej 22  
4100 Ringsted, Denmark  
Tel.: +45 57 66 00 00

[verkauf@bevola.dk](mailto:verkauf@bevola.dk)  
[www.bevola.com](http://www.bevola.com)

