

DRIVEN TOWARD THE FUTURE.

BMW i.

Each BMW comes with the reputation of being the Ultimate Driving Machine; that's something that will never change. But how we achieve that performance is always evolving, and that's where BMW i comes in. Built in a completely sustainable factory, utilizing advanced lightweight components and relying on hybrid powertrains for both enhanced fuel economy and performance, the BMW i3 and i8 showcase the future of driving, available today.

e Drive



THE ULTIMATE MISSION STATEMENT.

The BMW i8 is the BMW for tomorrow, built today. It's sleek bodywork cuts a sharp profile through the air for enhanced aerodynamics and efficiency. An advanced carbon-fiber-reinforced-plastic chassis provides sharp reflexes while keeping weight to a minimum. And what truly sets the BMW i8 apart? It's combined gas and electric powertrain, which provides a shot of adrenaline with 420 lb-ft of torque while getting 76 MPGe. It all adds up to an exotic car that redefines what exotic truly means.



BMW i8

EXTERIOR COLORS

UPHOLSTERY

WHEELS / TIRES

WORLDS

TECHNICAL DATA



CHARGE FAST AT HOME AND ON THE ROAD.

The BMW i8 can be fully recharged in just 2.5 hours using a Level 2 charging station. You can install a BMW Home Charging Station through the BMW Installation Services program. On the road, a ChargeNow[®] card comes with your vehicle to access more than 28,000+ U.S. charging stations.



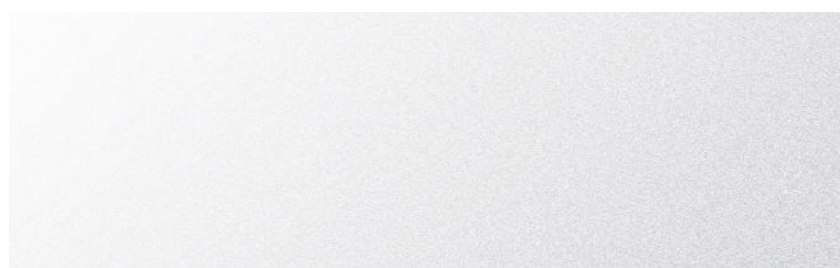
CONNECTIVITY IS CLOSE AT HAND.

To make every journey an efficient one, you can use the integrated BMW Connected App to sync your BMW i8 to your smartphone, Apple Watch® and other mobile devices. Check your battery's state of charge, configure automatic charging times, set a comfortable cabin temperature through preconditioning, and even sync destinations – all before opening the doors.

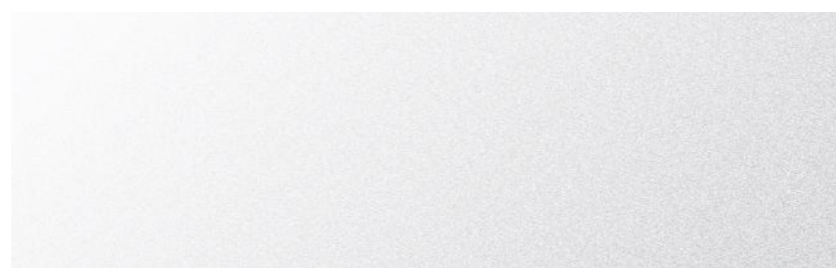


The BMW i8

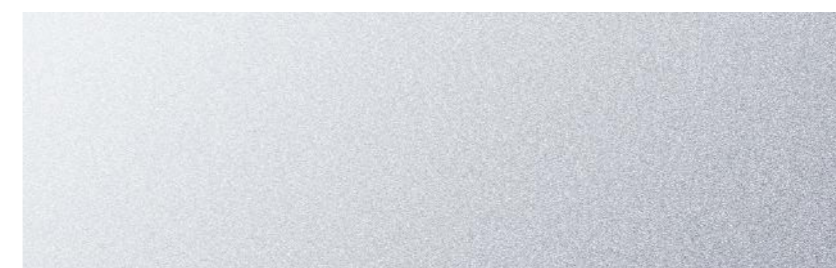
EXTERIOR COLORS



B96 Crystal White Pearl Metallic /
BMW i Frozen Gray accent



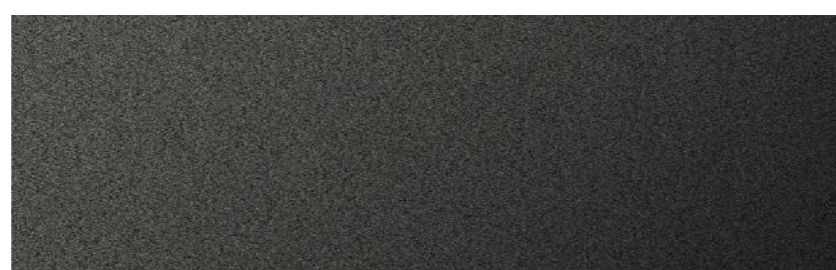
B97 Crystal White Pearl Metallic /
BMW i Frozen Blue accent



B72 Ionic Silver Metallic /
BMW i Frozen Blue accent



C22 Sophisto Gray Metallic /
BMW i Frozen Gray accent



C23 Sophisto Gray Metallic /
BMW i Frozen Blue accent



The BMW i8

UPHOLSTERY

NATURAL LEATHER / CLOTH



NFCJ Mega Carum Spice Gray Leather / Cloth



NKFD Tera Exclusive Dalbergia Brown Full Natural Leather / Carum Spice Gray Cloth

FULL PERFORATED LEATHER



NGEK Giga Ivory White Full Perforated Leather



NGHA Giga Amido Black Full Perforated Leather

Leather: Leather on all seating surfaces; other components may be Leather or SensaTec.



The BMW i8

WHEELS / TIRES



BMW i W Spoke light alloy wheels (Style 470)

20 x 7.5 front, 20 x 8.5 rear; and 215/45 front, 245/40 rear performance tires^{1,2,3}



BMW i Turbine light alloy wheels (Style 625)

20 x 7.5 front, 20 x 8.5 rear; and 215/45 front, 245/40 rear performance tires^{1,2,3}

¹ Do not come equipped with a spare wheel and tire.

² Driving over rough or damaged road surfaces, as well as debris, curbs and other obstacles, can cause serious damage to wheels, tires and suspension parts. This is more likely to occur with low-profile tires, which provide less cushioning between the wheel and the road. Be careful to avoid road hazards and reduce your speed, especially if your vehicle is equipped with low-profile tires.

³ Performance tires include Mobility Kit and increased top-speed limiter; not recommended for driving in ice and snow conditions.

Get the latest information on standard and optional features, packages and technical specifications. Visit bmwusa.com and select the BMW model of your choice.



The BMW i8

WORLDS

GIGA WORLD

20-inch Turbine wheels (Style 625)
(option available)
LED Headlights with Cornering Lights
Giga Ivory White Full Perforated Leather
(option available)

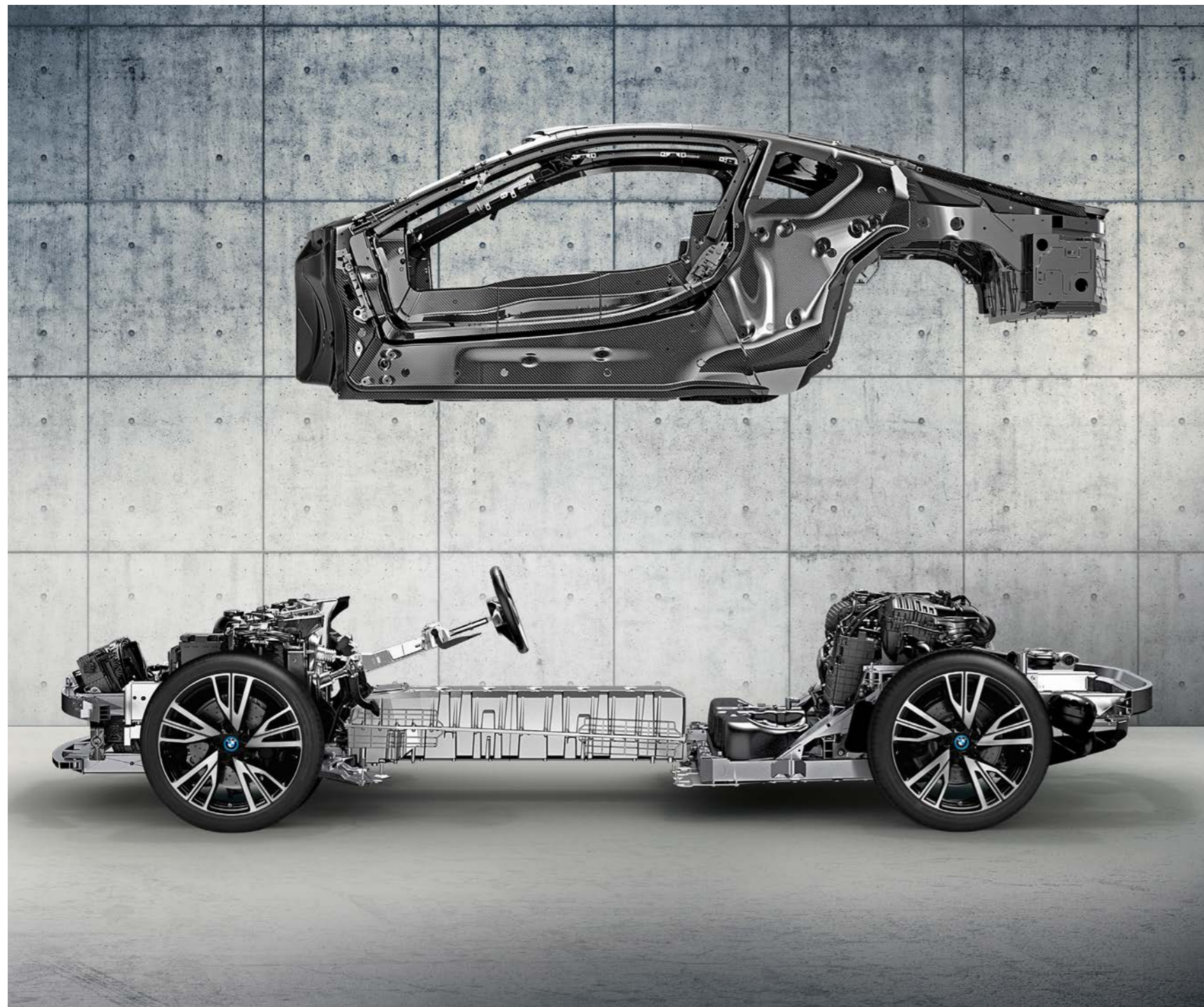
TERA WORLD

BMW i brake calipers in high-gloss black
20-inch Turbine wheels (Style 625)
(option available)
Leather engine cover
Anthracite headliner
BMW i Blue seat belt
LED Headlights with Cornering Lights
Tera Exclusive Dalbergia Brown / Cloth



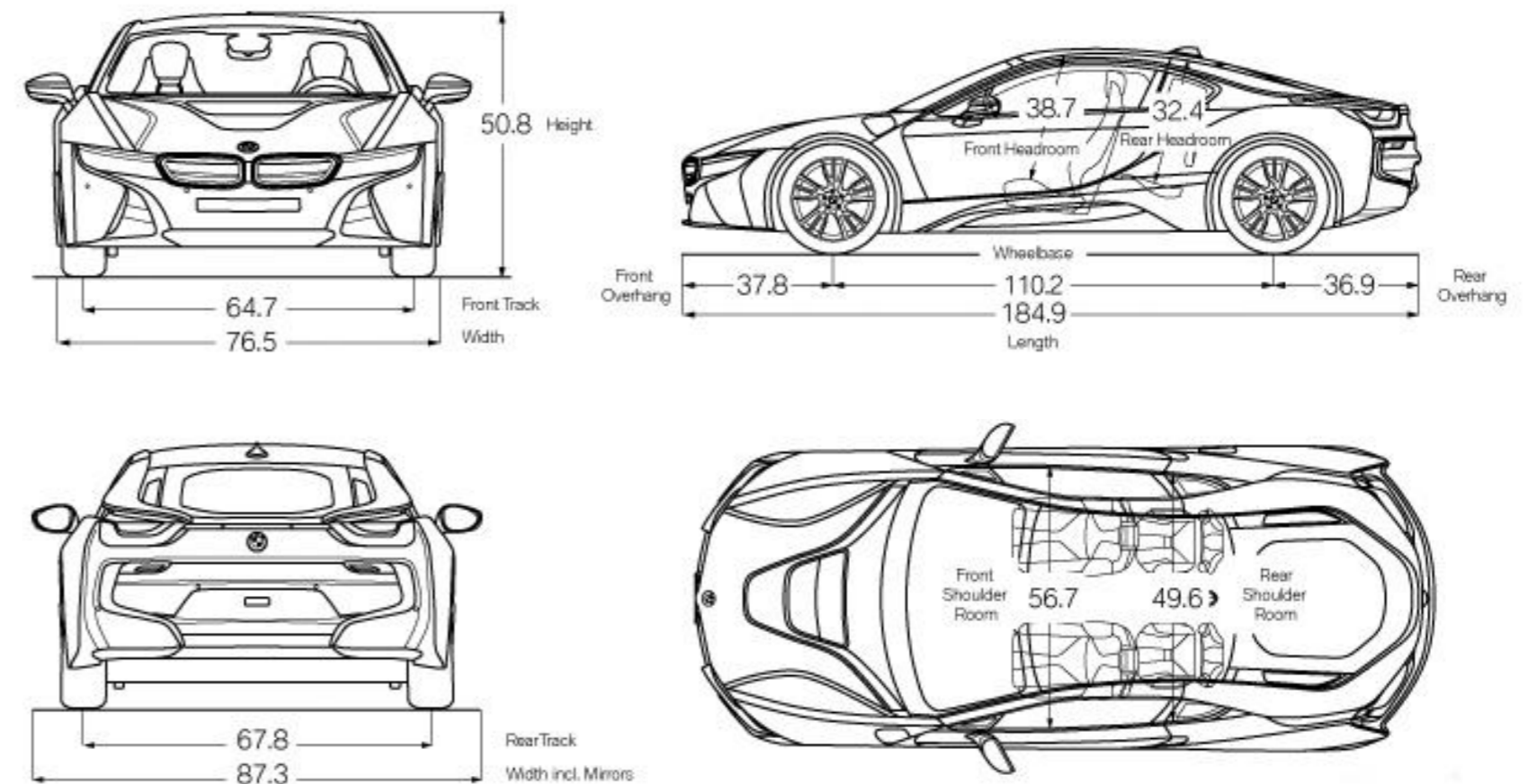
The BMW i8

TECHNICAL DATA



ENGINES	1.5-liter TwinPower Turbo 3-cylinder + eDrive electric motor
COMBINED OUTPUT (BATTERY + ENGINE)	357 hp / 420 lb-ft
0-60 MPH (sec) ¹	4.2
COMBINED MPG / MPGe	28 / 76

All dimensions in technical drawings are given in inches.



Figures subject to change. Please visit your BMW Retailer or bmwusa.com for the most up-to-date information.

¹BMW AG preliminary test results. Actual acceleration results may vary, depending on specification of vehicle; road and environmental conditions; testing procedures and driving style. These results should be used for comparison only and verification should not be attempted on public roads. BMW urges you to obey all posted speed laws and always wear safety belts.

Get the latest information on standard and optional features, packages and technical specifications. Visit bmwusa.com and select the BMW model of your choice.

X Close

ENVIRONMENTALLY FUN-LY.

The BMW i3 provides Ultimate Driving Machine® pleasure with every high-efficiency mile. This latest version has a 114-mile range on a full charge, 40 percent more than the previous model. The Range Extender version goes even farther – up to 180 EPA estimated miles. Brisk acceleration is felt inside a cockpit that bristles with innovative design and sumptuously sustainable materials throughout.



BMW i3

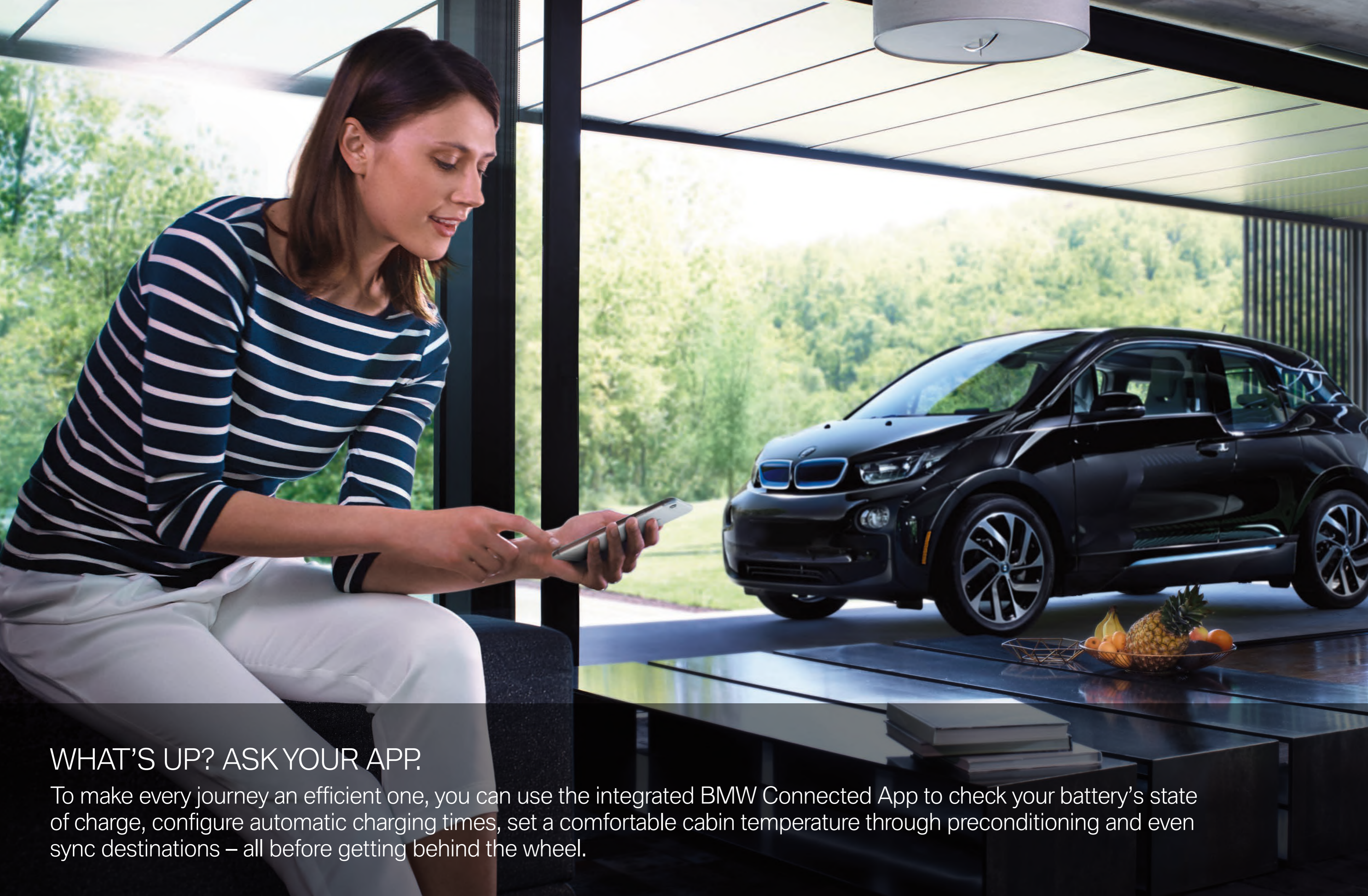
[EXTERIOR COLORS](#)

[UPHOLSTERY / INTERIOR TRIMS](#)

[WHEELS / TIRES](#)

[PACKAGES / WORLDS](#)

[TECHNICAL DATA](#)



WHAT'S UP? ASK YOUR APP.

To make every journey an efficient one, you can use the integrated BMW Connected App to check your battery's state of charge, configure automatic charging times, set a comfortable cabin temperature through preconditioning and even sync destinations – all before getting behind the wheel.



GET A CHARGE – HOME AND AWAY.

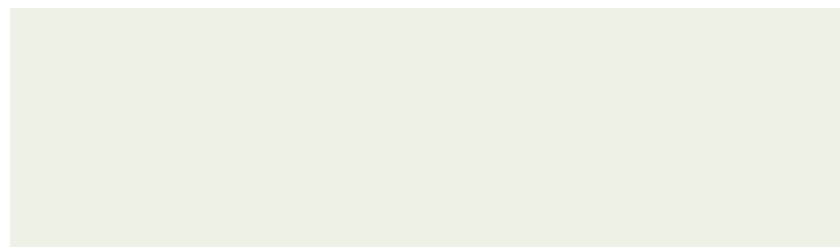
The BMW i3 can be fully recharged in just 4.5 hours using a Level 2 charging station. Get up to an 80 percent charge in approximately 30-40 minutes with a DC Combo Fast Charging. At home, you can install a Level 2 BMW Home Charging Station through the BMW Installation Services program. On the road, you can use the ChargeNow[®] card that comes with your vehicle to access more than 28,000+ U.S. charging stations, including a growing number of DC Combo Fast Chargers.



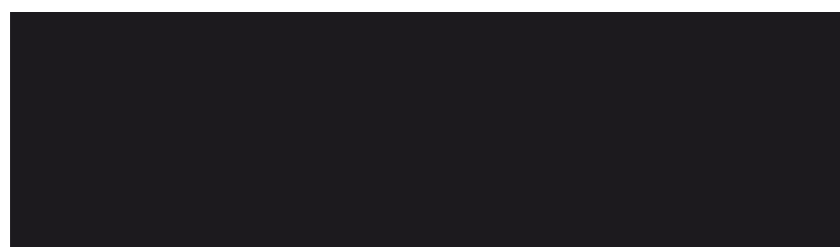
The BMW i3

EXTERIOR COLORS

NON-METALLIC



B85 Capparis White / BMW i Frozen Blue accent
(Non-metallic)



C2W Fluid Black / BMW i Frozen Blue accent
(Non-metallic)

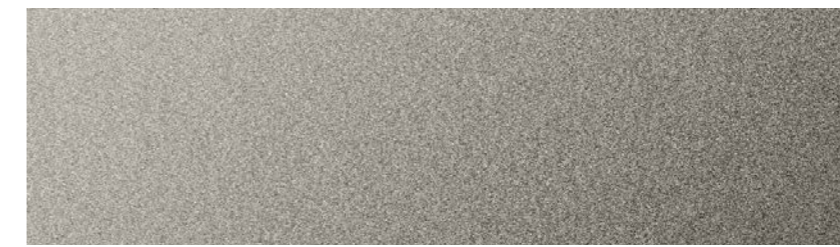
METALLIC



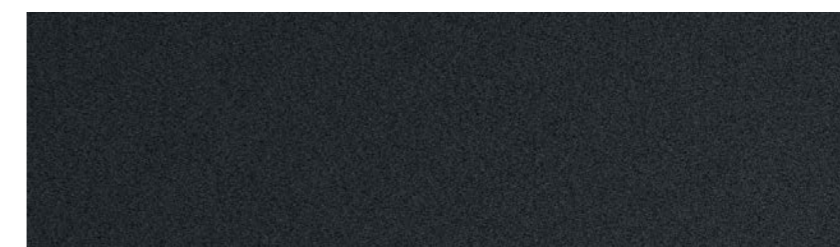
B72 Ionic Silver Metallic /
BMW i Frozen Blue accent



C01 Protonic Blue Metallic /
BMW i Frozen Gray accent



C2U Platinum Silver Metallic /
BMW i Frozen Blue accent



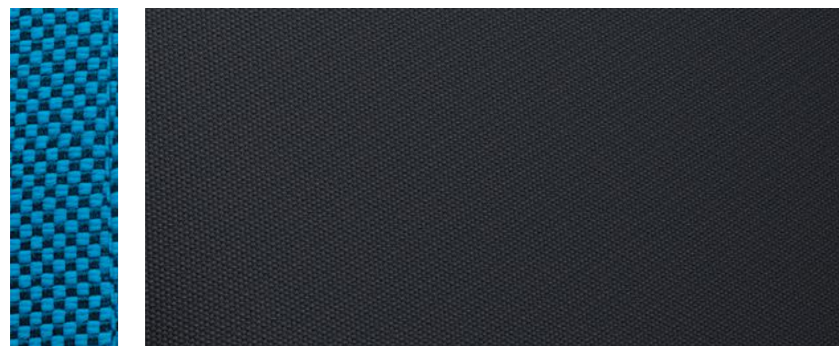
C2V Mineral Gray Metallic /
BMW i Frozen Blue accent



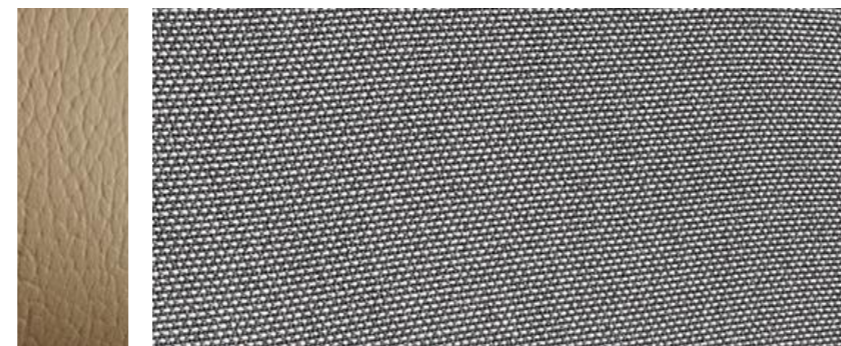
The BMW i3

UPHOLSTERY / TRIMS

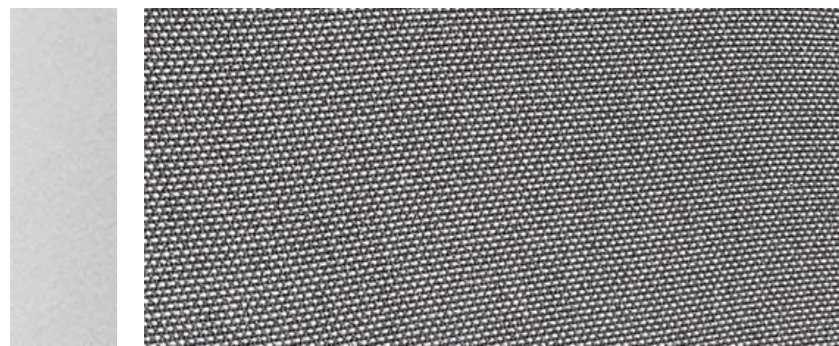
UPHOLSTERY



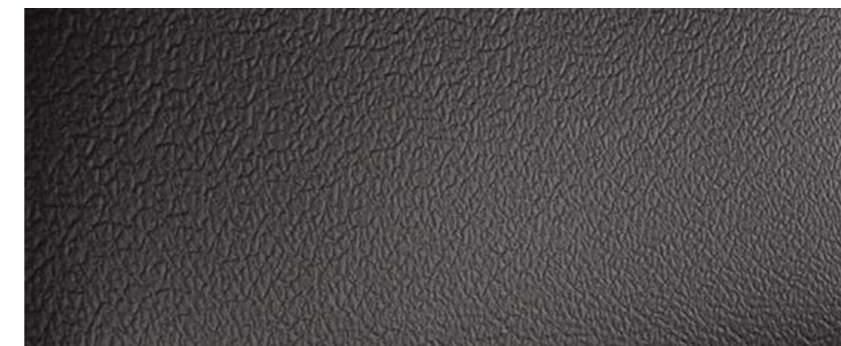
BHGI Deka Dark Cloth



NHFC Giga Cassia Natural Leather /
Carum Spice Gray Wool Cloth



BKCI Mega Carum Spice Gray SensaTec /
Carum Spice Gray Cloth



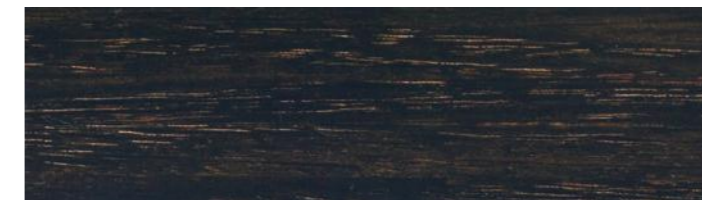
NLFT Tera Dalbergia Brown full Natural Leather

Leather: Leather on all seating surfaces; other components may be Leather or SensaTec.

INTERIOR TRIMS



4EV Light Eucalyptus Wood trim



4EA Dark Oak Wood trim



Andesite Dark Matte trim (Mega World)



The BMW i3

WHEELS / TIRES



**BMW i Turbine light alloy wheels
(Style 428)**

19 x 5.0 front, 19 x 5.5 rear; and 155/70 front,
175/60 rear all-season tires^{1,2,3}

**BMW i Turbine light alloy wheels
(Style 429)**

19 x 5.0 front, 19 x 5.5 rear; and 155/70 front,
175/60 rear all-season tires^{1,2,3}

**BMW i Sport Double Spoke light alloy
wheels (Style 430)**

20 x 5.0 front, 20 x 5.5 rear; and 155/60 front,
175/55 rear performance tires^{1,2,3}

¹ Do not come equipped with a spare wheel and tire.

² Driving over rough or damaged road surfaces, as well as debris, curbs and other obstacles, can cause serious damage to wheels, tires and suspension parts. This is more likely to occur with low-profile tires, which provide less cushioning between the wheel and the road. Be careful to avoid road hazards and reduce your speed, especially if your vehicle is equipped with low-profile tires.

³ Performance tires include Mobility Kit and increased top-speed limiter; not recommended for driving in ice and snow conditions.

Get the latest information on standard and optional features, packages and technical specifications. Visit bmwusa.com and select the BMW model of your choice.



The BMW i3

PACKAGES / WORLDS

PACKAGES

PARKING ASSISTANT PACKAGE

Rear-view Camera
Park Distance Control
Parking Assistant

TECHNOLOGY + DRIVING ASSISTANT PACKAGE

ACC with Stop & Go^{1,2} +
Active Driving Assistant¹
BMW Navigation system
BMW Online and BMW Apps
BMW Connected App Compatibility

WORLDS

GIGA WORLD

19-inch Turbine wheels (Style 428)
(option available)
Light Eucalyptus Wood trim
(option available)
Giga Cassia Natural Leather & Carum Spice Gray Wool Cloth

TERA WORLD

19-inch Turbine wheels (Style 428)
(option available)
Dark Oak Wood trim
(option available)
Tera Dalbergia Brown Full Natural Leather Upholstery

MEGA WORLD

19-inch Turbine wheels (Style 428)
(option available)
Light Eucalyptus Wood trim
(option available)
Mega Carum Spice Gray SensaTec and
Carum Spice Cloth

¹ Active Driving Assistant is not a substitute for the driver's own responsibility in maintaining safe control of the vehicle.

² After evaluating the road, traffic and visibility conditions, the driver must decide whether and how Active Cruise Control is to be used.

Get the latest information on standard and optional features, packages and technical specifications. Visit bmwusa.com and select the BMW model of your choice.



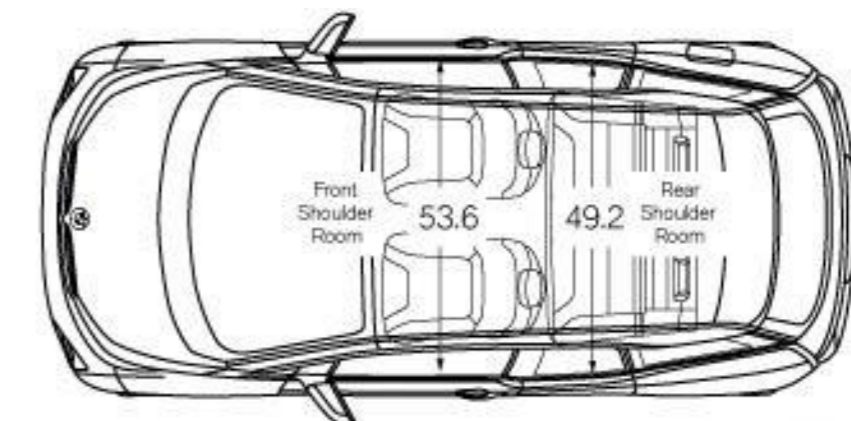
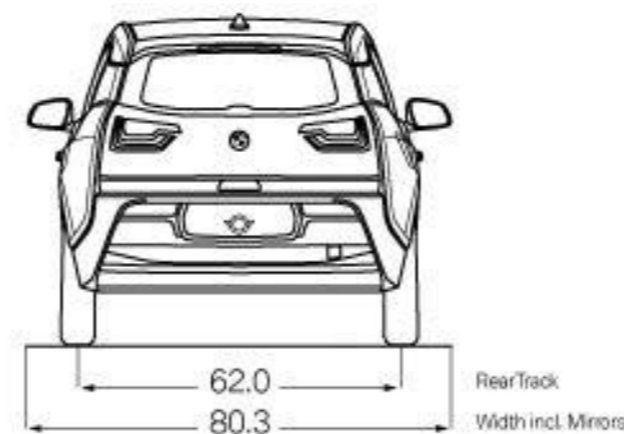
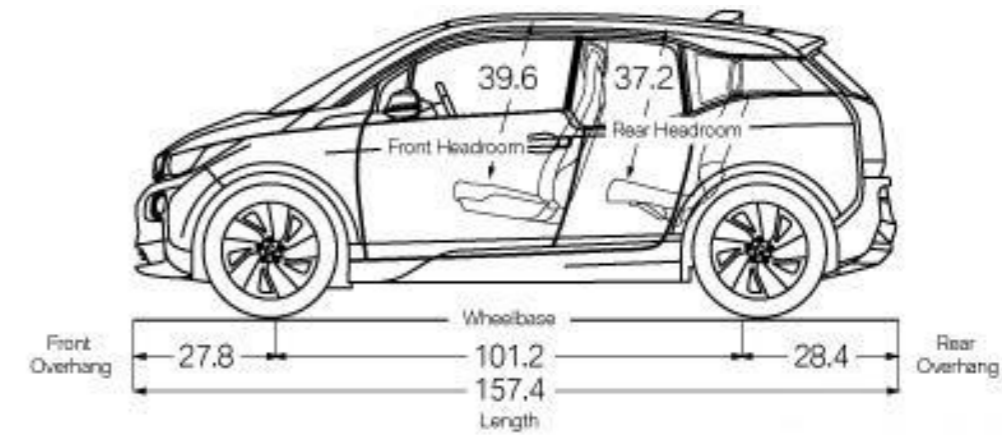
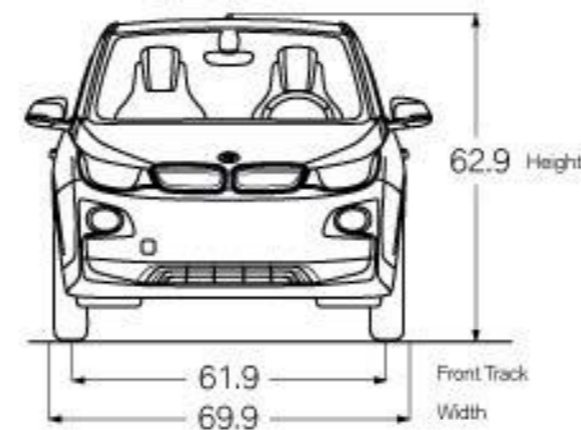
The BMW i3

TECHNICAL DATA



	BMW i3	BMW i3 with Range Extender
ENGINE	All-electric	All-electric + 2-cylinder gasoline engine
OUTPUT @ RPM	170 hp @ 4800 / 184 lb-ft from 0	170 hp @ 4800 / 184 lb-ft @ 0
0-60 MPH (sec) ¹	7.2	8.0
CITY / HIGHWAY / COMBINED MPGe	129/106/118	35 MPG / 111 MPGe

All dimensions in technical drawings are given in inches. Dimensions shown apply to i3.



Figures subject to change. Please visit your BMW Retailer or bmwusa.com for the most up-to-date information.

¹BMW AG preliminary test results. Actual acceleration results may vary, depending on specification of vehicle; road and environmental conditions; testing procedures and driving style. These results should be used for comparison only and verification should not be attempted on public roads. BMW urges you to obey all posted speed laws and always wear safety belts.

Get the latest information on standard and optional features, packages and technical specifications. Visit bmwusa.com and select the BMW model of your choice.