



*Your balconies
deserve the best, too...*

Technical Catalog

www.kupaglazing.com



OVERVIEW

FOLDING SYSTEMS	02
FOLDING SYSTEM - LEO	02
FOLDING SYSTEM - LEO MINOR	18
FOLDING SYSTEM - LYRA	32
DOUBLE GLAZED FOLDING SYSTEM - ORION	46
DOUBLE GLAZED FOLDING SYSTEM - POLAR	62
VERTICAL SLIDING SYSTEMS	74
DOUBLE GLAZED GUILLOTINE SYSTEM - VIRGO	74
DOUBLE GLAZED CLEANABLE GUILLOTINE SYSTEM - VEGA	90
TOP HANGING FOLDING SYSTEMS	108
TOP HANGING SYSTEM - LIBRA	108
TOP HANGING SYSTEM - LIBRA MINOR	118
SLIDING SYSTEMS	130
SLIDING SYSTEM / High Threshold - ARISTA MINOR	130
DOUBLE GLAZED SLIDING SYSTEM / High Threshold - ARISTA	142
SLIDING SYSTEM / Flat Threshold - ALECTO MINOR	152
DOUBLE GLAZED SLIDING SYSTEM / Flat Threshold - ALECTO	164
OVERVIEW OF THE SYSTEMS	174

LEO

Single Glazed Folding System



LEO Technical Properties



Single Glazed Folding System

LEO

Profile Technical Properties

Rail Profile 43 x 61 mm

Wall Thickness of Rail Profile 2,5 mm

Panel Profile 41 x 41 mm

Wall Thickness of Panel Profile 2 mm

Technical Properties Roof

System Height 3000 - 3200 mm

Panel Width 700 - 750 mm

Glass Thickness 8 mm & 10 mm

Glass Type Tempered / Laminated

Profile Colors (In Stock) Anodized, Bronze, Press, Eloksal

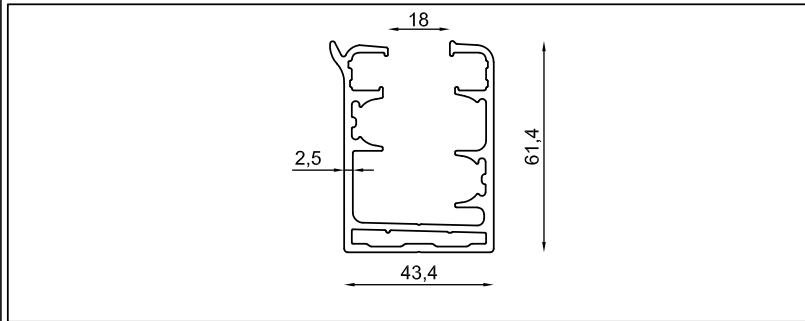
Panel Cap Colors (In Stock) Grey, Black

LEO Profiles

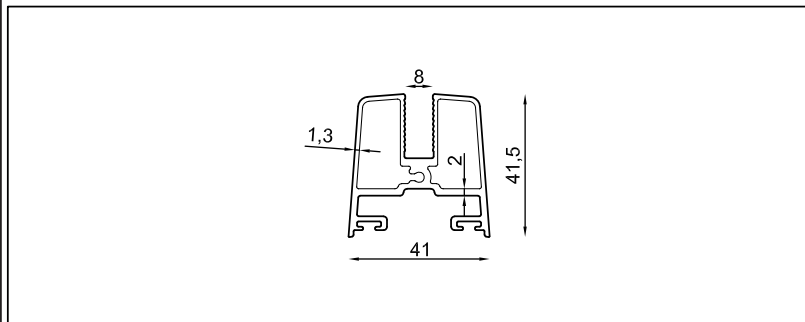


Scale: 1/2

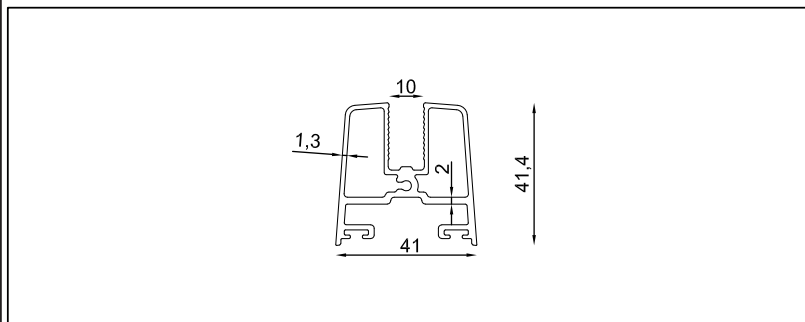
Single Glazed Folding System LEO



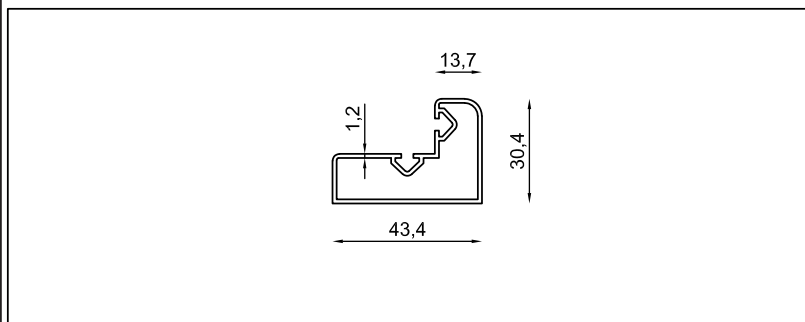
Profile Name:
Rail Profil
Code Nr.:
KP3-RP-014
Weight kg/m:
11,00 kg - 6,50 m - (1,70 kg/m)



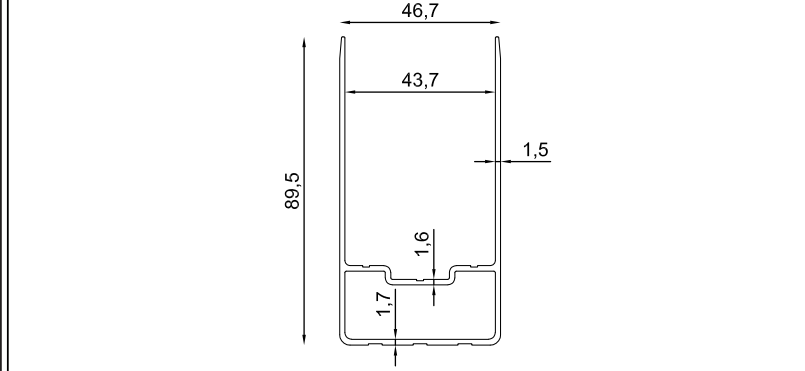
Profile Name:
Panel Profil 8mm
Code Nr.:
KP3-BP-007-8mm
Weight kg/m:
5,60 kg - 6,00 m - (0,94 kg/m)



Profile Name:
Panel Profil 10 mm
Code Nr.:
KP3-BP-007-10mm
Weight kg/m:
5,60 kg - 6,00 m - (0,94 kg/m)



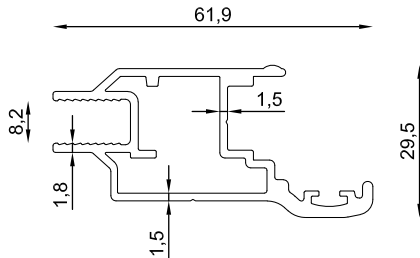
Profile Name:
Side Jamb Profile
Code Nr.:
KP3-YKP-021
Weight kg/m:
3,40 kg - 6,50 m - (0,53 kg/m)



Profile Name:
U Drapery Box Profile
Code Nr.:
KP3-PUKP-047
Weight kg/m:
7,30 kg - 6,50 m - (1,12 kg/m)

Single Glazed Folding System

LEO



Profile Name:

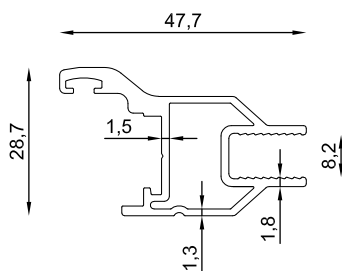
Espagnolette Lock Profile

Code Nr.:

KP3-IKP-0030 (8 - 10 mm)

Weight kg/m:

5,75 kg - 6,50 m - (0,88 kg/m)



Profile Name:

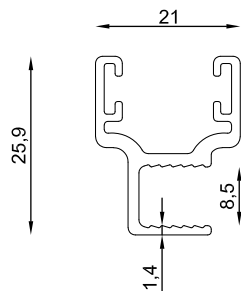
Lock Response Profile

Code Nr.:

KP3-KKP-0031 (8 - 10 mm)

Weight kg/m:

4,55 kg - 6,50 m - (0,70 kg/m)



Profile Name:

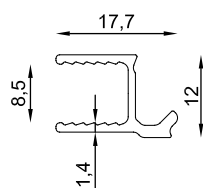
90° Corner Strip

Code Nr.:

KP3-AHFD-025 8 mm

Weight kg/m:

1,80 kg - 6,00 m - (0,30 kg/m)



Profile Name:

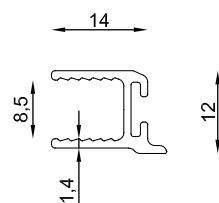
135° Corner Strip

Code Nr.:

KP3-AHFD-025

Weight kg/m:

1,00 kg - 6,00 m - (0,17 kg/m)



Profile Name:

135° Corner Strip

Code Nr.:

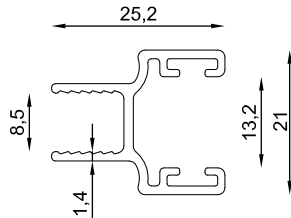
KP3-AHFK-025

Weight kg/m:

1,00 kg - 6,00 m - (0,17 kg/m)

Single Glazed Folding System

LEO



Profile Name:

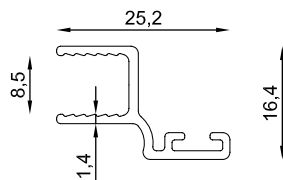
H-Double Side Strip

Code Nr.:

KP4-AHF-022

Weight kg/m:

1,50 kg - 6,00 m - (0,25 kg/m)



Profile Name:

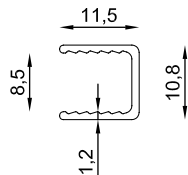
H-Single Side Strip

Code Nr.:

KP4-AHF-023

Weight kg/m:

1,00 kg - 6,00 m - (0,17 kg/m)



Profile Name:

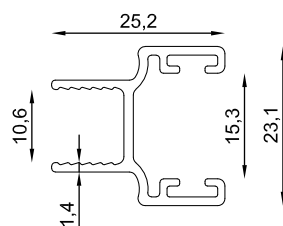
U-Strip

Code Nr.:

KPI-UFE-2

Weight kg/m:

1,50 kg - 6,00 m - (0,25 kg/m)



Profile Name:

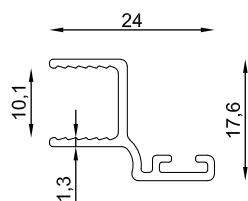
H-Double Side Strip 10 mm

Code Nr.:

KP4-AHF-0202

Weight kg/m:

1,50 kg - 6,00 m - (0,25 kg/m)



Profile Name:

H-Single Side Strip 10 mm

Code Nr.:

KP4-AHF-0203

Weight kg/m:

1,50 kg - 6,00 m - (0,25 kg/m)

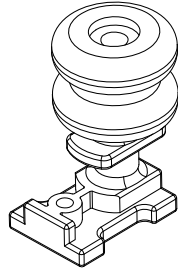
LEO Accessory

Scale: 1/2



Single Glazed Folding System

LEO



Name:

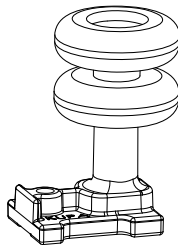
Guide Wheels

Code Nr.:

KP3-CTM-109

Material:

Zamac



Name:

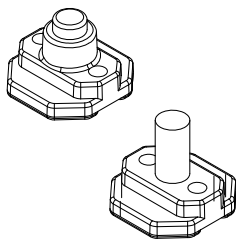
Straight Move Wheels

Code Nr.:

KP3-CTM-108

Material:

Zamac



Name:

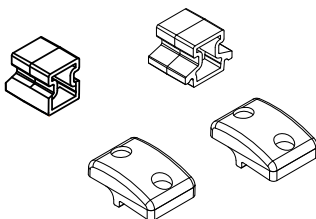
Hingers For The First Panel

Code Nr.:

KP3-MT-105

Material:

Zamac



Name:

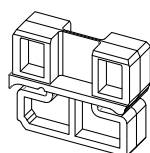
Fixed Panel Apparatus

Code Nr.:

KP3-ST-106

Material:

Polyamide



Name:

Side Jamb Apparatus

Code Nr.:

KP3-YKAG-204

Material:

Polyamide

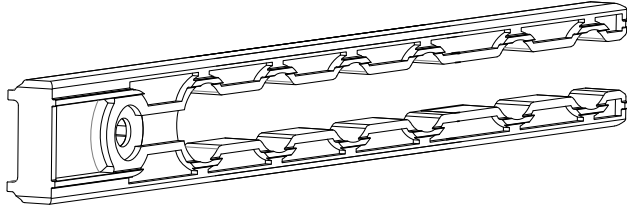
LEO Accessory

Scale: 1/2



Single Glazed Folding System

LEO



Name: / İsim:

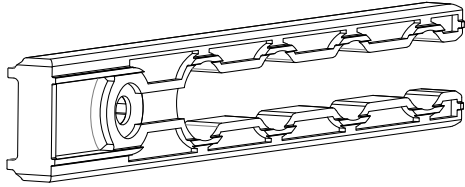
Guide Wheels Socked 7 pcs

Code Nr.:

KP3-K7-401

Material:

Polyamide



Name:

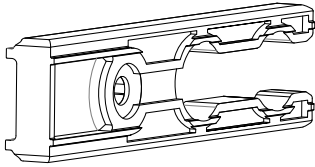
Guide Wheels Socked 5 pcs

Code Nr.:

KP3-K5-402

Material:

Polyamide



Name:

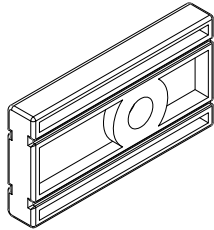
Guide Wheels Socked 3 pcs

Code Nr.:

KP3-K3-403

Material:

Polyamide



Name:

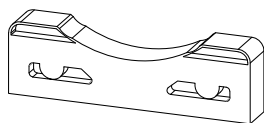
Hinge Socket

Code Nr.:

KP3-KT-400

Material:

Polyamide



Name:

Extra Panel Socket

Code Nr.:

KP3-İK-404

Material:

Polyamide

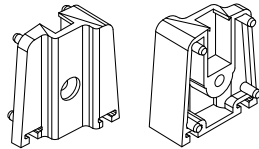
LEO Accessory

Scale: 1/2



Single Glazed Folding System

LEO



Name:

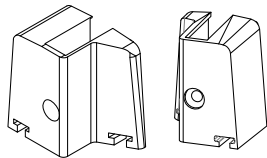
Straight Panel Cap

Code Nr.:

KP3-DBK-501

Material:

Polyamide



Name:

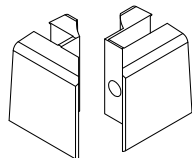
Panel Cap For Side Jumbs

Code Nr.:

KP3-YKBK-511

Material:

Polyamide



Name::

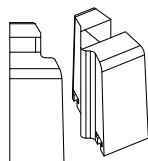
90° Panel Cap

Code Nr.:

KP3-90DBK-516

Material:

Polyamide



Name: / Isim:

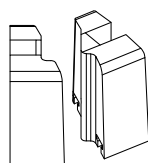
90° Panel Cap

Code Nr.:

KP3-135DBK-521

Material:

Polyamide



Name:

145° Panel Cap

Code Nr.:

KP3-145DBK-201

Material:

Polyamide

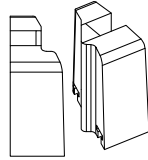
LEO Accessory

Scale: 1/2



Single Glazed Folding System

LEO



Name:

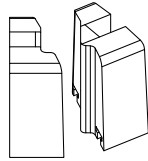
155° Panel Cap

Code Nr.: / Kod No.:

KP3-155DBK-201

Material:

Polyamide



Name:

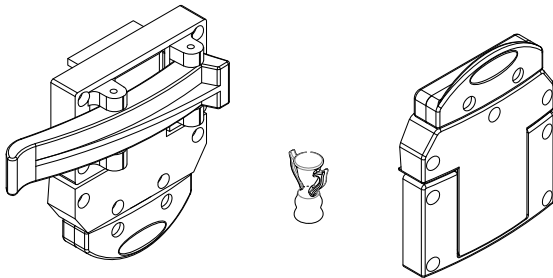
165° Panel Cap

Code Nr.:

KP3-165DBK-201

Material:

Polyamide



Name:

Look Set (Double Pin)

Code Nr.:

KP3-KT-805

Material:

Polyamide



Name:

Single Pin Lock

Code Nr.:

KP3-TA-806

Material:

Polyamide / Zamac



Name:

Rope

Code Nr.:

KP3-ZI-952

Material:

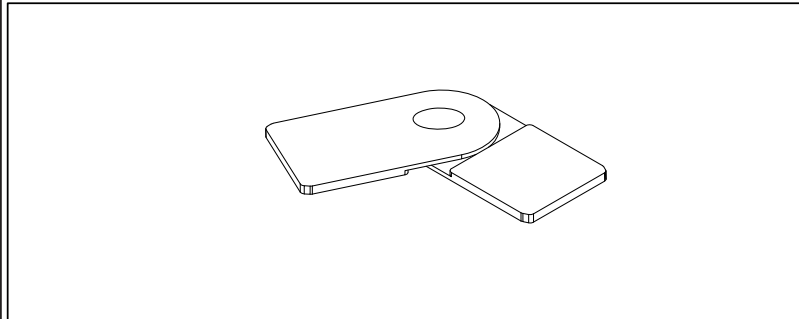
Polyamide / Metal

LEO Accessory

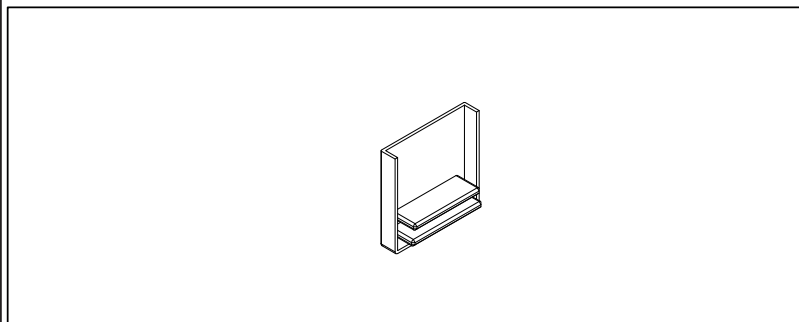
Scale: 1/2



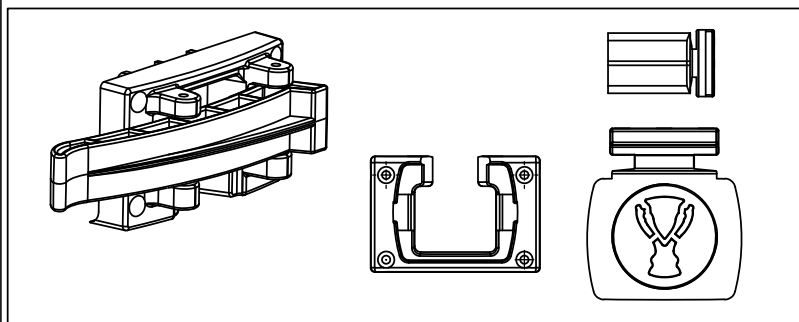
Single Glazed Folding System LEO



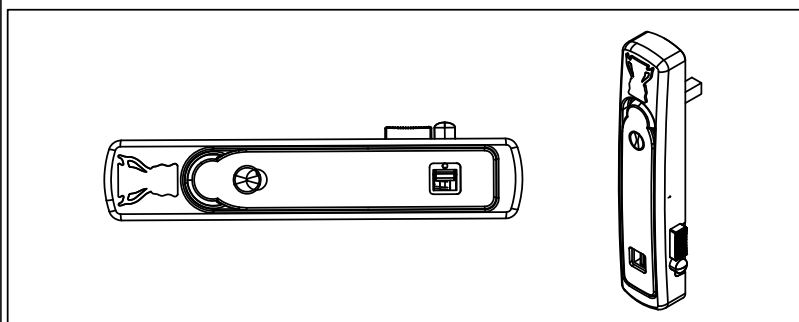
Name:
Angular Conjunction
Code Nr.:
KP3-DGM-702
Material:
Zamac



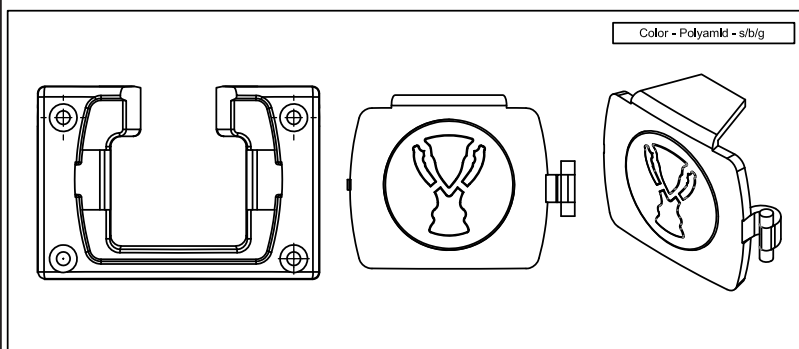
Name:
Rail End Cap
Code Nr.:
KP3-RK-300
Material:
Polyamide



Name:
Espagnolette Lock Set
Code Nr.:
KP3-İSPKTK-804
Material:
Polyamide



Name:
Espagnolette Lock Lever
Code Nr.:
KP3-HİSPK-13
Material:
Polyamid / Zamak



Name:
KP3 Second Way Out
Code Nr.:
KP3-ÇYK-603
Material:
Polyamide

LEO Accessory

Scale: 1/2



Single Glazed Folding System

LEO



Name:

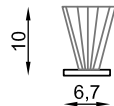
Brush 6.7 / 600

Code Nr.:

KP-KFIT600-1001

Material:

PVC



Name:

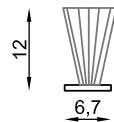
Brush 6.8 / 1000

Code Nr.:

KPO-KFIT1000-1002

Material:

PVC



Name:

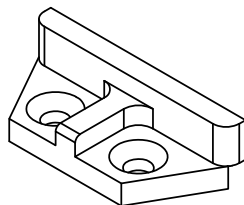
Brush 6.7 / 1200

Code Nr.:

KP-KFIT1200-1003

Material:

PVC



Name:

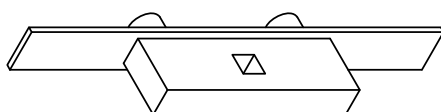
Espagnolette Key Lock

Code Nr.:

KPO-ISPCK-803

Material:

Zamac



Name:

Single Espagnolette 28 cm

Code Nr.:

KPO-KKT-21

Material:

Metal

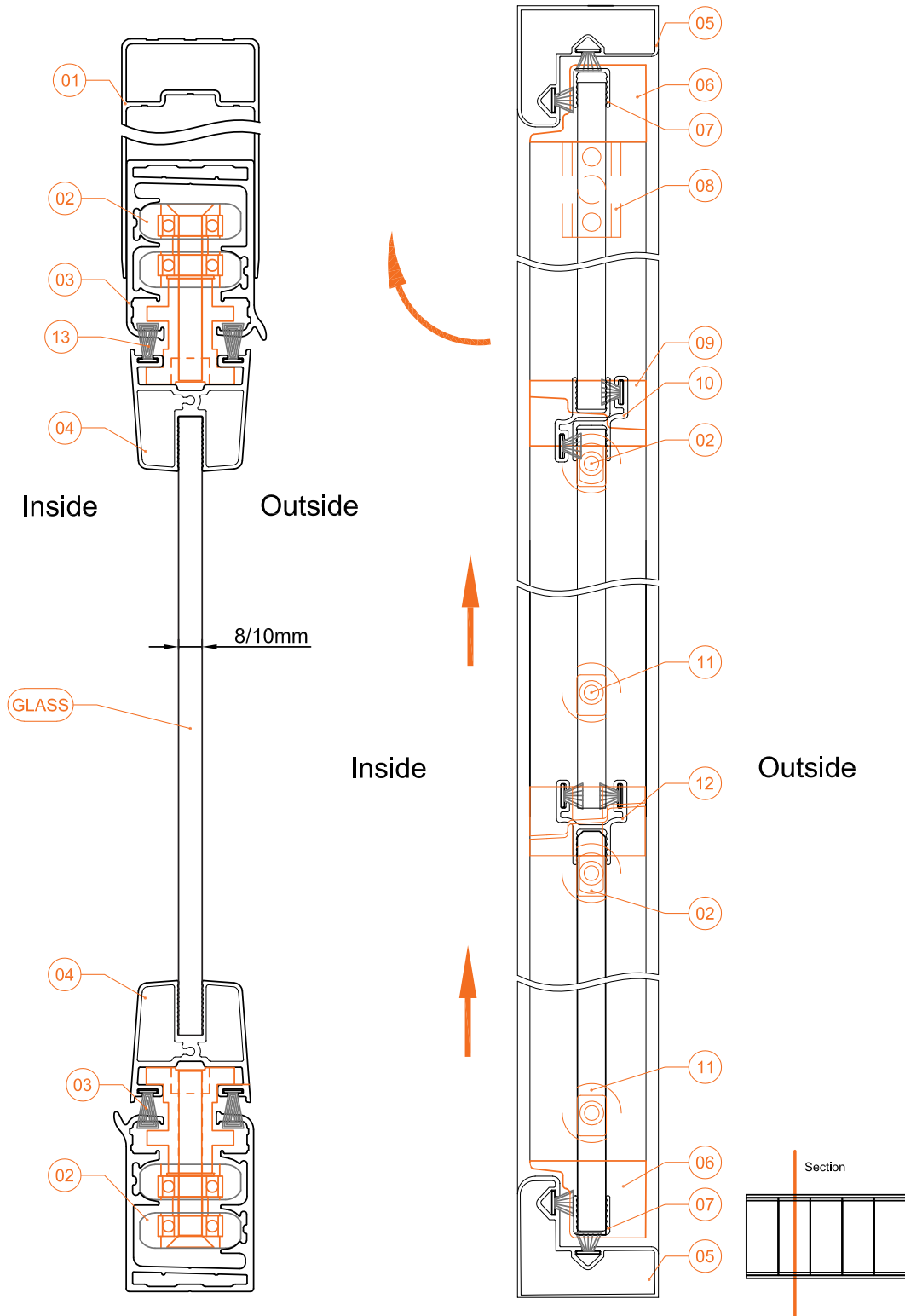
LEO Section

Scale: 1/2



Single Glazed Folding System

LEO



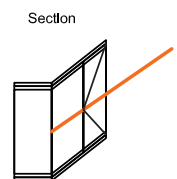
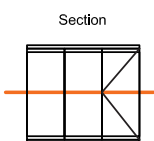
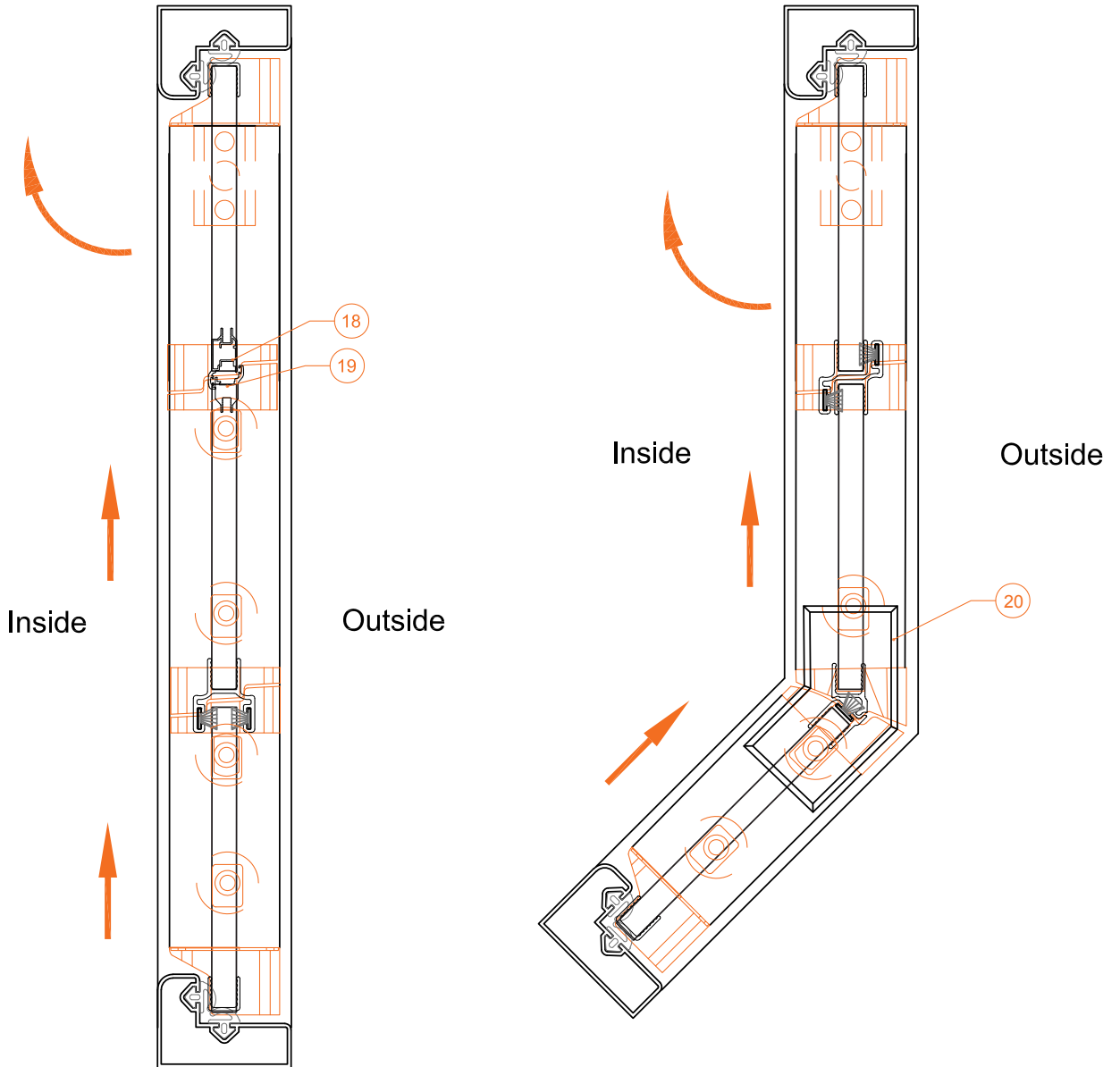
01	KP3-PUKP-047	04	KP3-BP-007	07	KPI-UFE-2	10	KP4-AHF-023	13	KPO-KFIT1000-1002
02	KP3-CTM-109	05	KP3-YKP-021	08	KP3-MT-105	11	KP3-CDTM-108		
03	KP3-RP-014	06	KP3-YKBK-511	09	KP3-DBK-501	12	KP4-AHF-022		

LEO Section

Scale: 1/2



Single Glazed Folding System LEO



18	KP3-İKP-0030	20	KP3-DGM-702
19	KP3-KKP-0031		

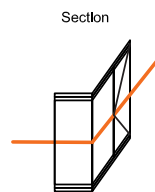
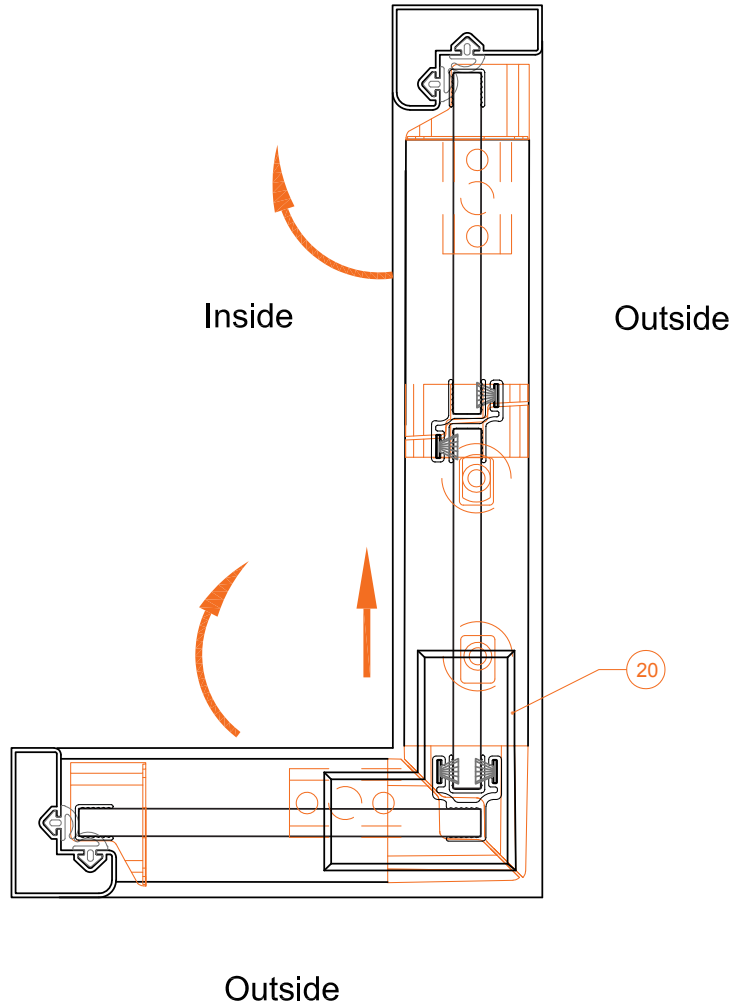
LEO Section

Scale: 1/2



Single Glazed Folding System

LEO

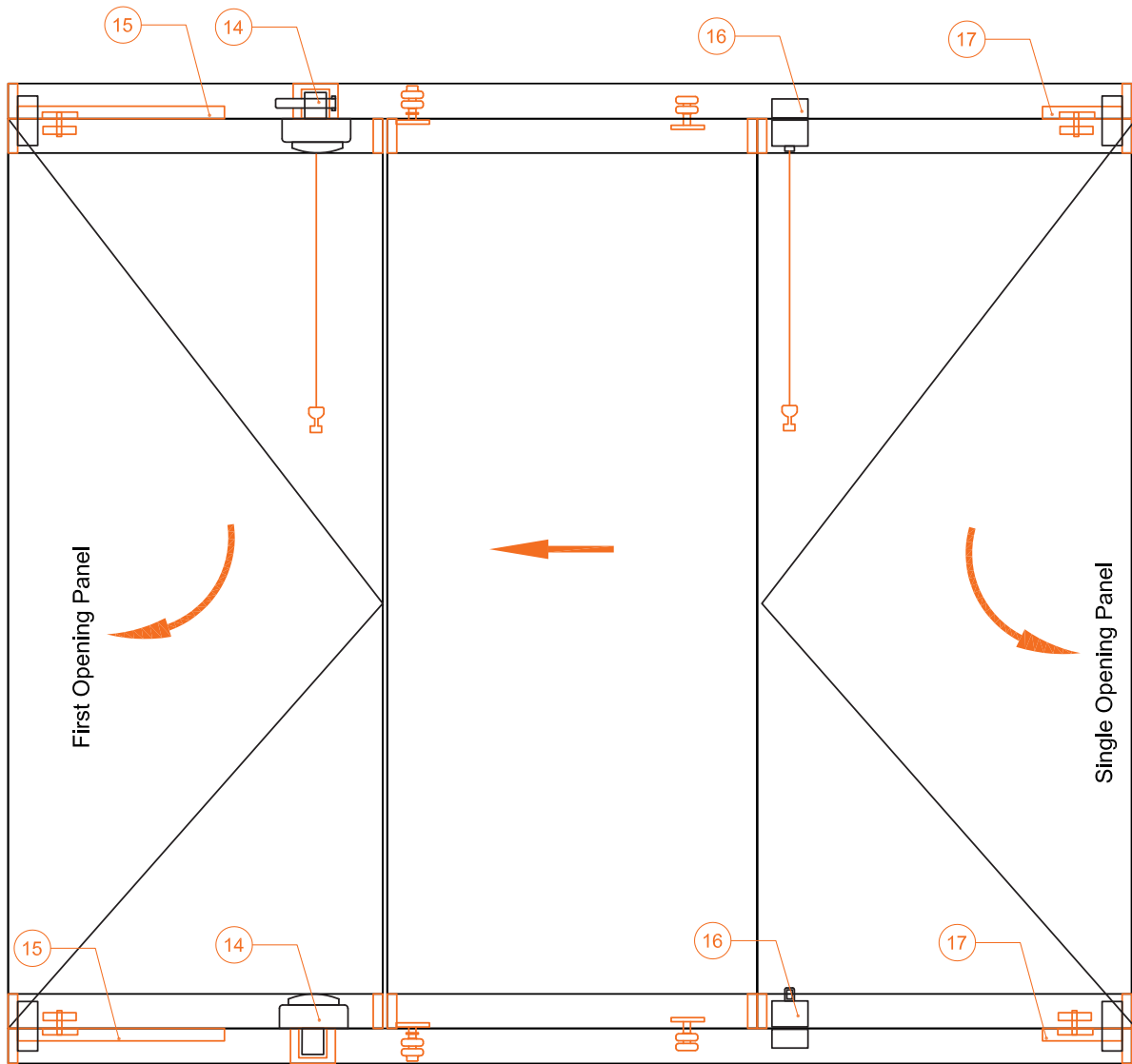


LEO Front View



Scale: 1/2

Single Glazed Folding System LEO



Front View

14	KP3-KTB-801	17	KP3-KT-400
15	KP3-K3-403		
16	KP3-TA-806		



LEO

LEO MINOR

Single Glazed Folding System



LEO MINOR Technical Properties



Single Glazed Folding System

LEO MINOR

Profile Technical Properties

Rail Profile 40 x 65,4 mm

Wall Thickness of Rail Profile 2,5 mm

Panel Profile 38,6 x 32,4 mm

Wall Thickness of Panel Profile 1,4 mm

Technical Properties Roof

System Height 2500 mm

Panel Width 650 mm

Glass Thickness 8 mm & 10 mm

Glass Type Tempered / Laminated

Profile Colors (In Stock) Anodized, Bronze, Press

Panel Cap Colors (In Stock) Grey, Black

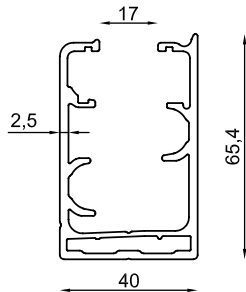
LEO MINOR Profiles

Scale: 1/1



Single Glazed Folding System

LEO MINOR



Profile Name:

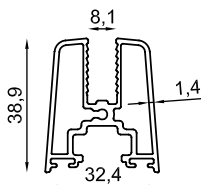
Rail Profil

Code Nr.: / Kod No.:

KP4-RP-014

Weight kg/m:

9,70 kg - 6,50 m - (1,50 kg/m)



Profile Name:

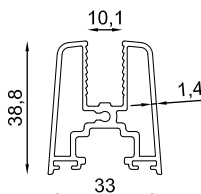
Panel Profil 8 mm

Code Nr.:

KP4-BP-007

Weight kg/m:

4,60 kg - 6,00 m - (0,77 kg/m)



Profile Name:

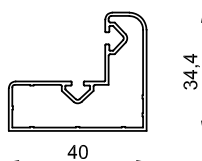
Panel Profil 10mm

Code Nr.:

KP4-BP-007

Weight kg/m:

4,60 kg - 6m - (0,77 kg/m)



Profile Name:

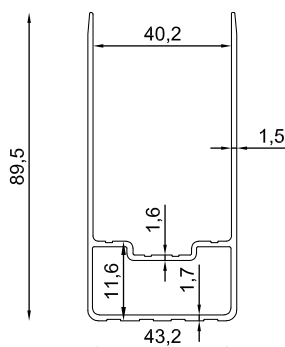
Side Jamb Profile

Code Nr.:

KP4-YKP-021

Weight kg/m:

3,25 kg - 6,50 m - (0,50 kg/m)



Profile Name:

U Drapery Box Profile

Code Nr.:

KP4-PUKP-047

Weight kg/m:

7,00 kg - 6,50 m - (1,07 kg/m)

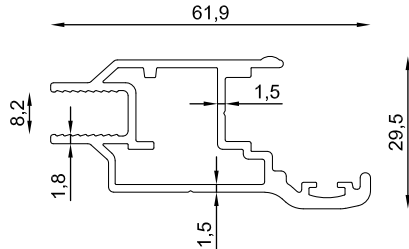
LEO MINOR Profiles



Scale: 1/1

Single Glazed Folding System

LEO MINOR



Profile Name:

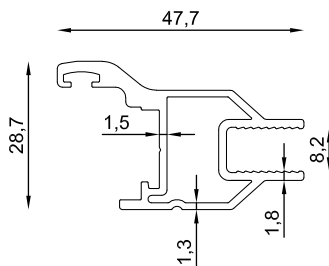
Espagnolette Lock Profile

Code Nr.:

KP4-İKP-0030 (8 - 10 mm)

Weight kg/m:

5,75 kg - 6,50 m - (0,88 kg/m)



Profile Name:

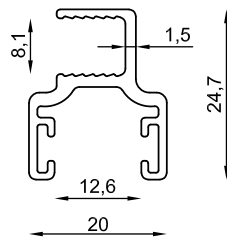
Lock Response Profile

Code Nr.:

KP4-KKP-0031 (8 - 10 mm)

Weight kg/m:

4,55 kg - 6,50 m - (0,70 kg/m)



Profile Name:

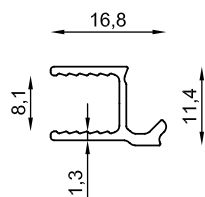
90° Suppository

Code Nr.:

KP-AHFD-024

Weight kg/m:

1,80 kg - 6,00 m - (0,30 kg/m)



Profile Name:

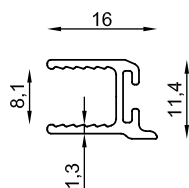
135° Corner Strip

Code Nr.:

KP4-AHFD-025

Weight kg/m:

1,00 kg - 6,00 m - (0,17 kg/m)



Profile Name:

135° Corner Strip

Code Nr.:

KP4-AHFK-025

Weight kg/m:

1,00 kg - 6,00 m - (0,17 kg/m)

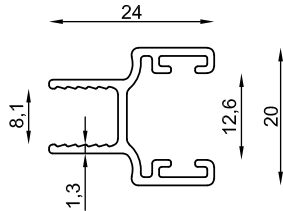
LEO MINOR Profiles

Scale: 1/1



Single Glazed Folding System

LEO MINOR



Profile Name:

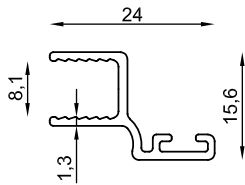
H-Double Side Strip

Code Nr.:

KP4-AHF-022

Weight kg/m:

1,50 kg - 6,00 m - (0,25 kg/m)



Profile Name:

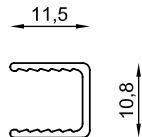
H-Single Side Strip

Code Nr.:

KP4-AHF-023

Weight kg/m:

1,00 kg - 6,00 m - (0,17 kg/m)



Profile Name:

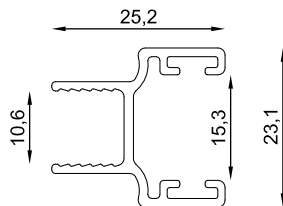
U-Strip

Code Nr.:

KPI-UFE-2

Weight kg/m:

1,50 kg - 6,00 m - (0,25 kg/m)



Profile Name: / Profil İsim:

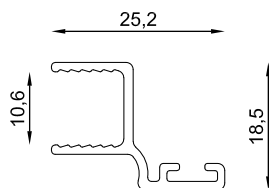
H-Double Side Strip

Code Nr.:

KP4-AHF-0202

Weight kg/m:

1,50 kg - 6,00 m - (0,25 kg/m)



Profile Name:

H-Single Side Strip

Code Nr.:

KP4-AHF-0203

Weight kg/m:

1,50 kg - 6,00 m - (0,25 kg/m)

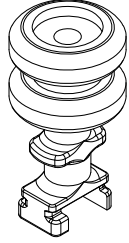
LEO MINOR Accessory



Scale: 1/2

Single Glazed Folding System

LEO MINOR



Name: / İsim:

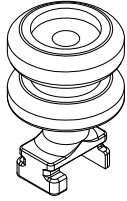
Guide Wheels

Code Nr.:

KP4-CKTM-109

Material:

Zamac



Name:

Straight Move Wheels

Code Nr.:

KP4-CDTM-108

Material:

Zamac



Name:

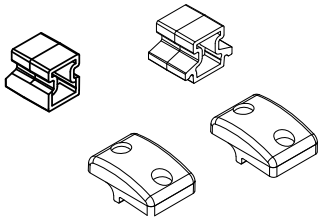
Hingers For The First Panel

Code Nr.:

KP4-MT-105

Material:

Zamac



Name:

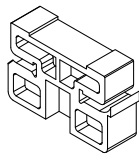
Fixed Panel Apparatus

Code Nr.:

KP4-ST-106

Material:

Polyamide



Name:

Side Jamb Apparatus

Code Nr.:

KP4-YKA-204

Material:

Polyamide

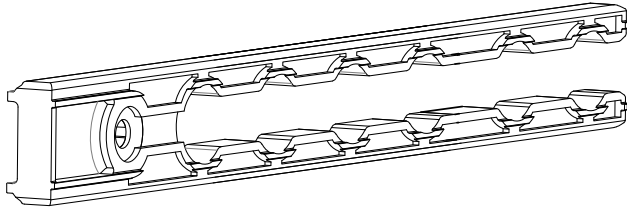
LEO MINOR Accessory



Scale: 1/2

Single Glazed Folding System

LEO MINOR



Name:

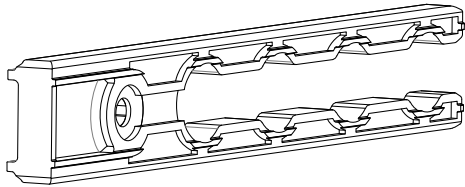
Guide Wheels Socked 7 pcs

Code Nr.:

KP4-K7-401

Material:

Polyamide



Name:

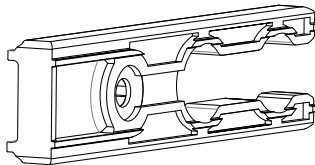
Guide Wheels Socked 5 pcs

Code Nr.:

KP4-K5-402

Material:

Polyamide



Name:

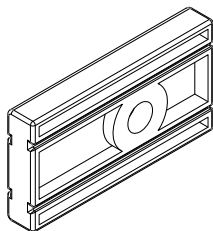
Guide Wheels Socked 3 pcs

Code Nr.:

KP4-K3-403

Material:

Polyamide



Name:

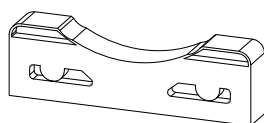
Hinge Socket

Code Nr.:

KP4-KT-400

Material:

Polyamide



Name:

Extra Panel Socket

Code Nr.:

KP4-İK-401

Material:

Polyamide

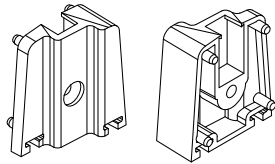
LEO MINOR Accessory

Scale: 1/2



Single Glazed Folding System

LEO MINOR



Name:

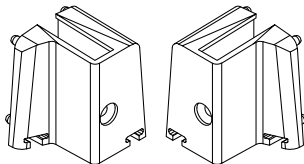
Straight Panel Cap

Code Nr.:

KP4-DBK-501

Material:

Polyamide



Name:

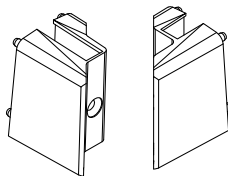
Panel Cap For Side Jumbs

Code Nr.:

KP4-YKBK-511

Material:

Polyamide



Name:

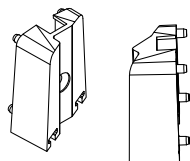
90° Panel Cap

Code Nr.:

KP4-DBK090-516

Material / Malzeme:

Polyamide



Name:

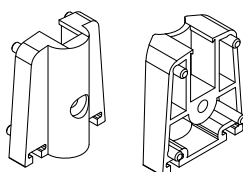
135° Panel Cap

Code Nr.:

KP4-DBK135-521

Material:

Polyamide



Name:

Universal Panel Cap

Code Nr.:

KP4-UBK-100

Material:

Polyamide

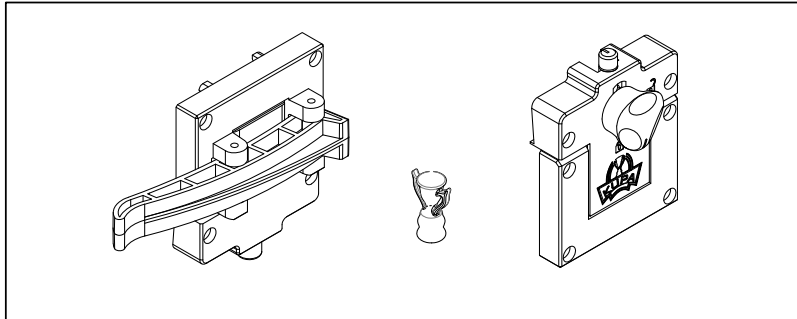
LEO MINOR Accessory

Scale: 1/2

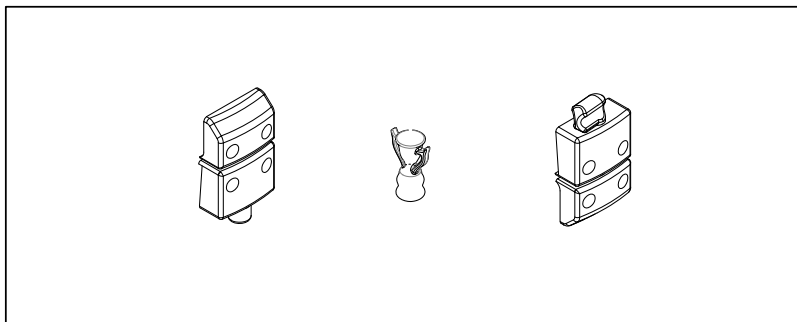


Single Glazed Folding System

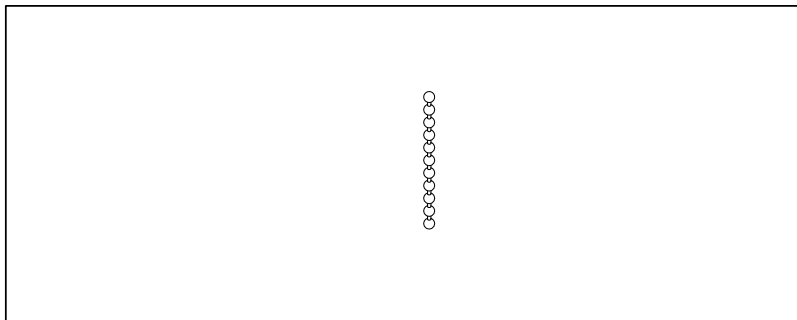
LEO MINOR



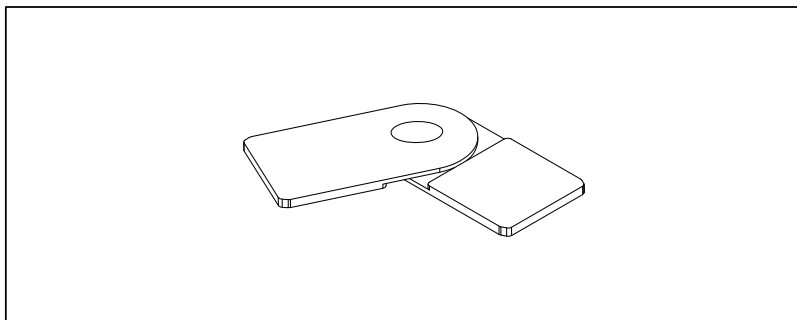
Name:
Polyamide
Code Nr.:
KP4-KTB-801
Material:
Look Set (Double Pin)



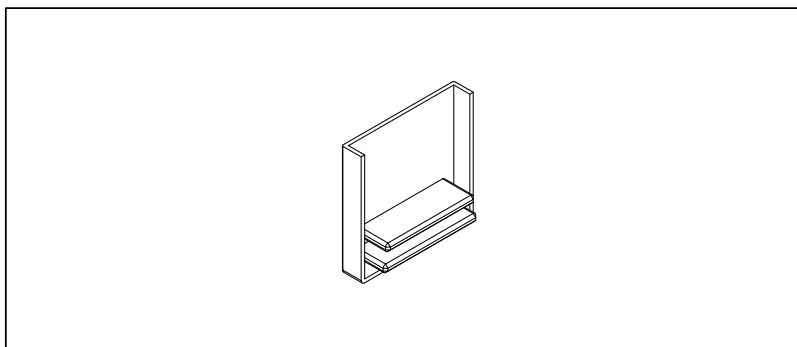
Name:
Strike Plate
Code Nr.:
KP4-SBK-200
Material:
Polyamide



Name:
Rope
Code Nr.:
KP4-DBK-501
Material:
Polyamide



Name:
Angular Conjunction
Code Nr.:
KP4-DGM-702
Material:
Zamac



Name:
Rail End Cap
Code Nr.:
KP4-RK-300
Material:
Polyamide

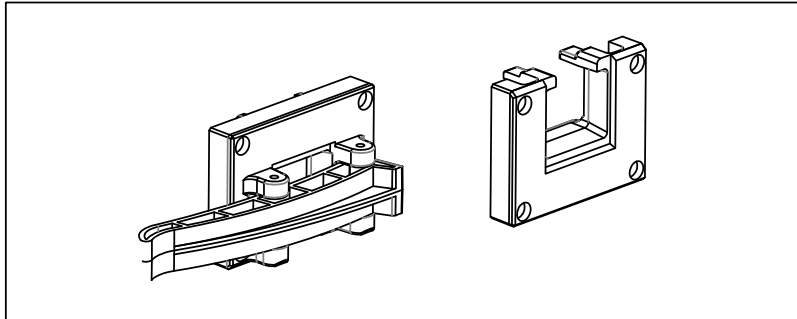
LEO MINOR Accessory

Scale: 1/1

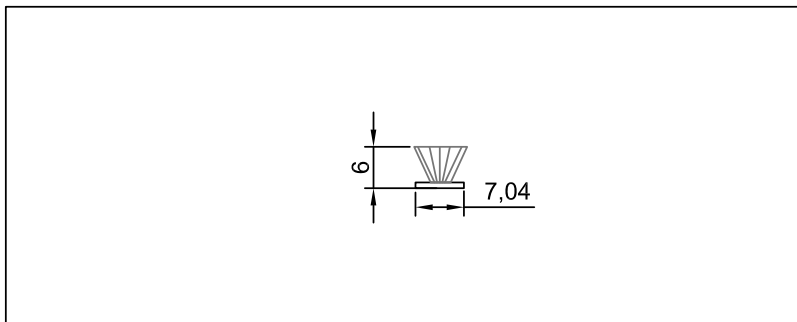


Single Glazed Folding System

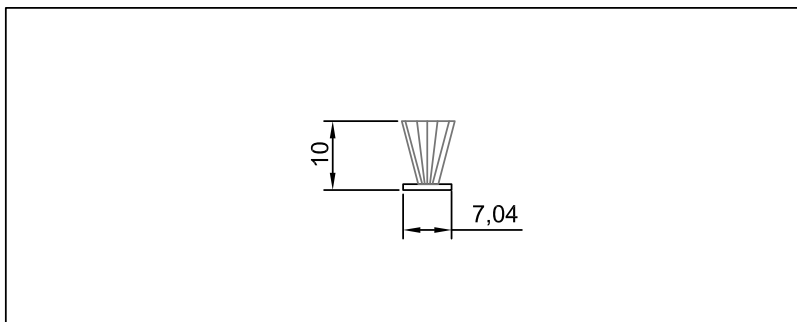
LEO MINOR



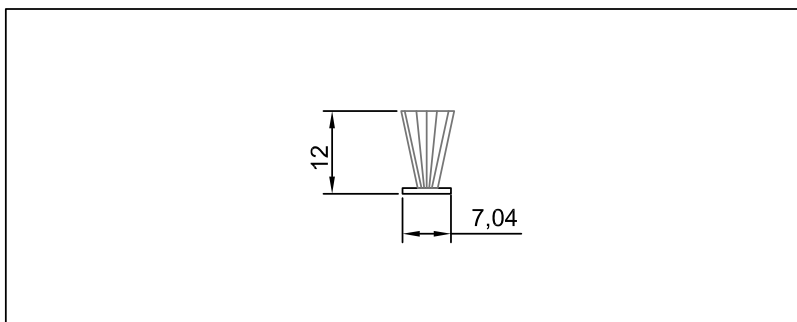
Name:
Polyamide
Code Nr.:
KP4-KK-500
Material:
Look Second Output Tk



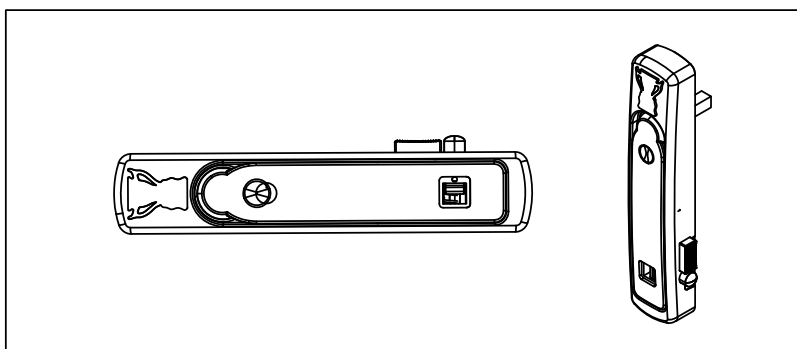
Name: / Isim:
Brush 6.7 / 600
Code Nr.:
KP-KFIT600-1001
Material:
PVC



Profile Name:
Brush 6.8 / 1000
Code Nr.:
KPO-KFIT1000-1002
Material:
PVC



Name:
Brush 6.7 / 1200
Code Nr.:
KP-KFIT1200-1003
Material:
PVC



Name:
Espagnolette Lock Lever
Code Nr.:
KP4-HİSPK-13
Material:
PVC

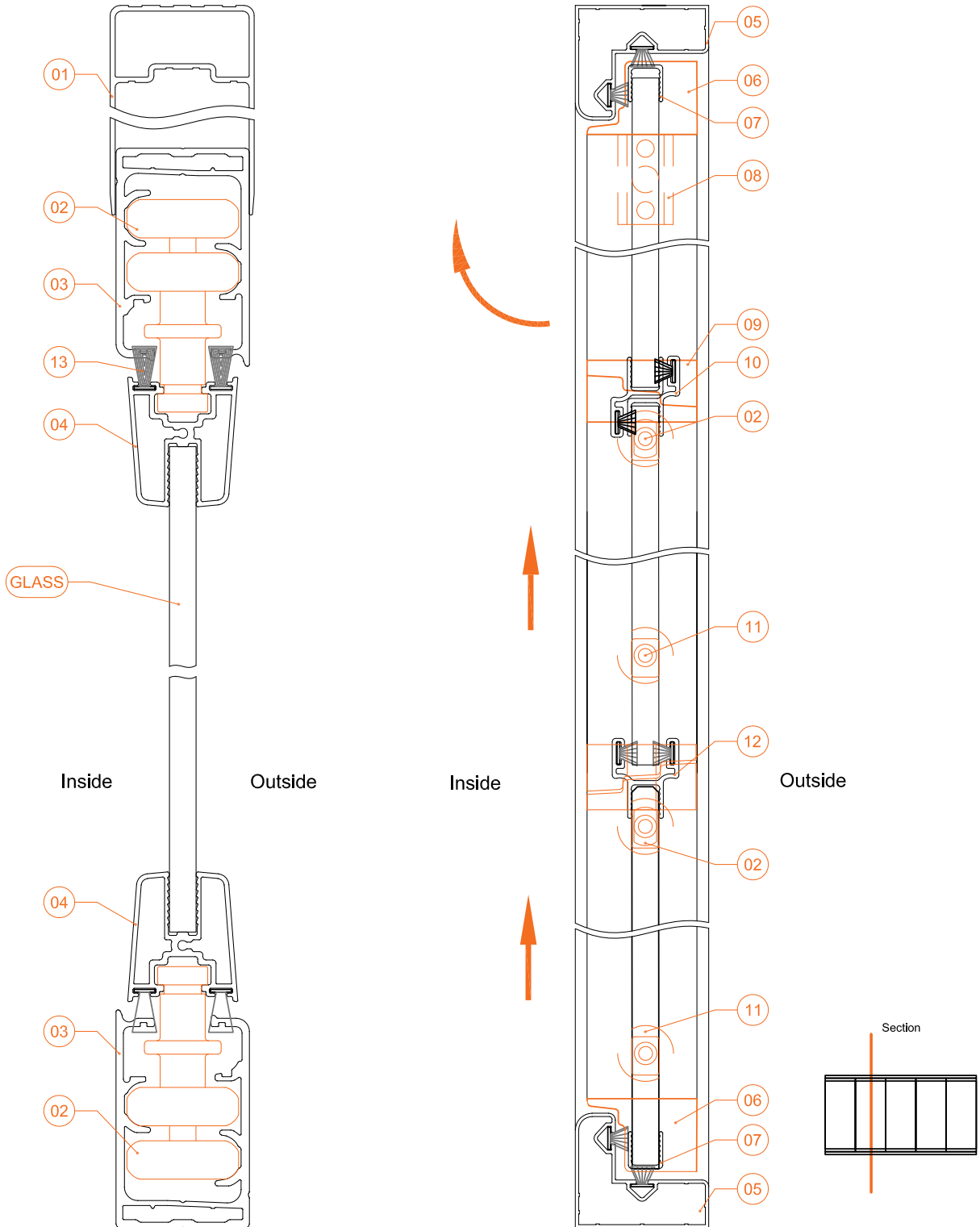
LEO MINOR Section



Scale: 1/2

Single Glazed Folding System

LEO MINOR



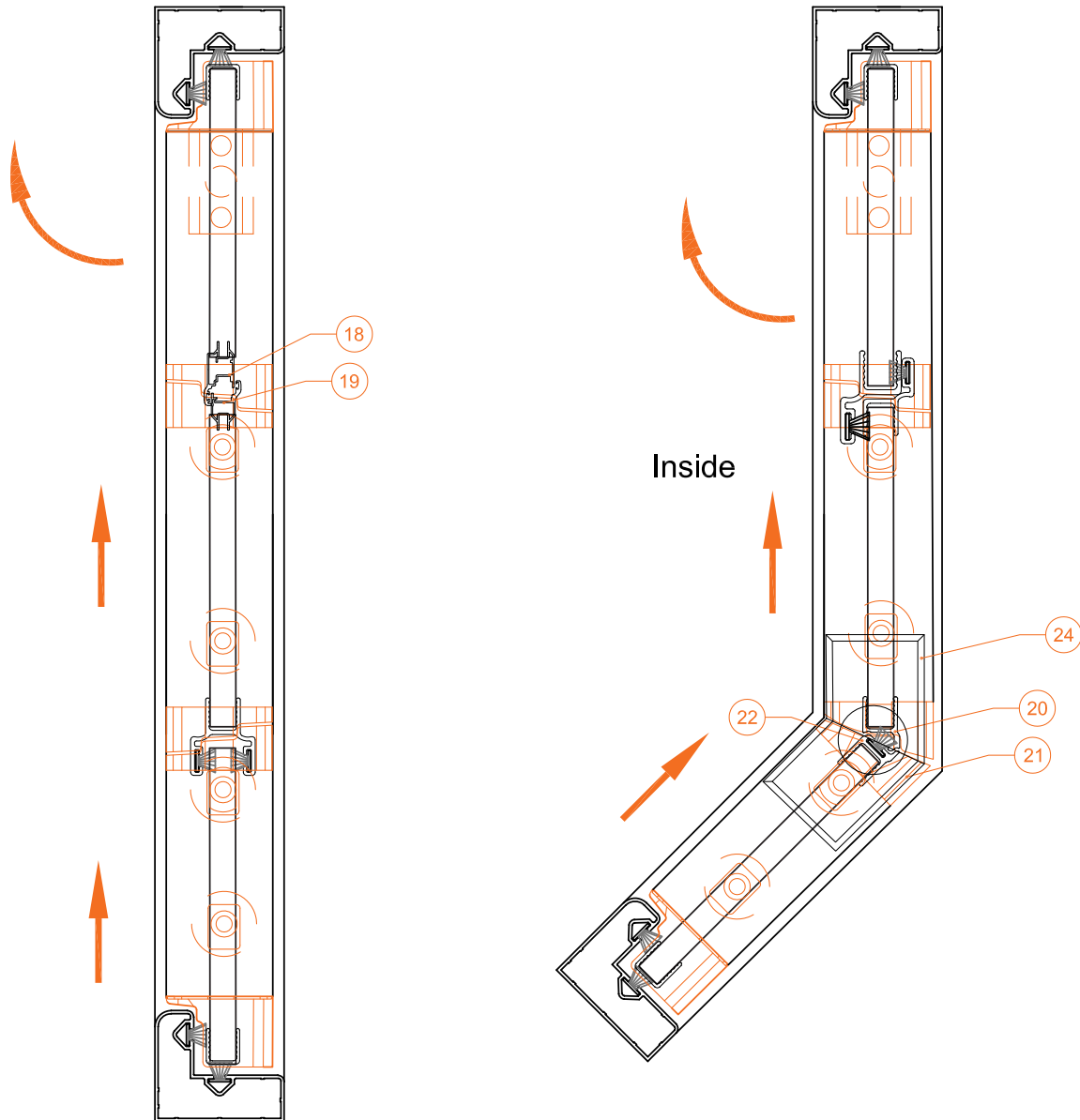
01	KP4-PUKP-047	04	KP4-BP-007	07	KPI-UFE-2	10	KP4-AHF-023	13	KPO-KFİT1000-1002
02	KP4-CTM-109	05	KP4-YKP-021	08	KP4-MT-105	11	KP4-CDTM-108		
03	KP4-RP-014	06	KP4-YKBK-511	09	KP4-DBK-501	12	KP4-AHF-022		

LEO MINOR Section

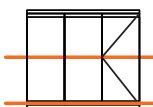


Scale: 1/2

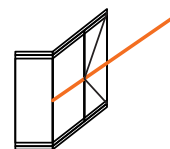
Single Glazed Folding System LEO MINOR



Section



Section



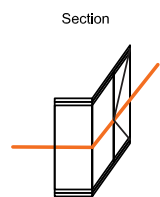
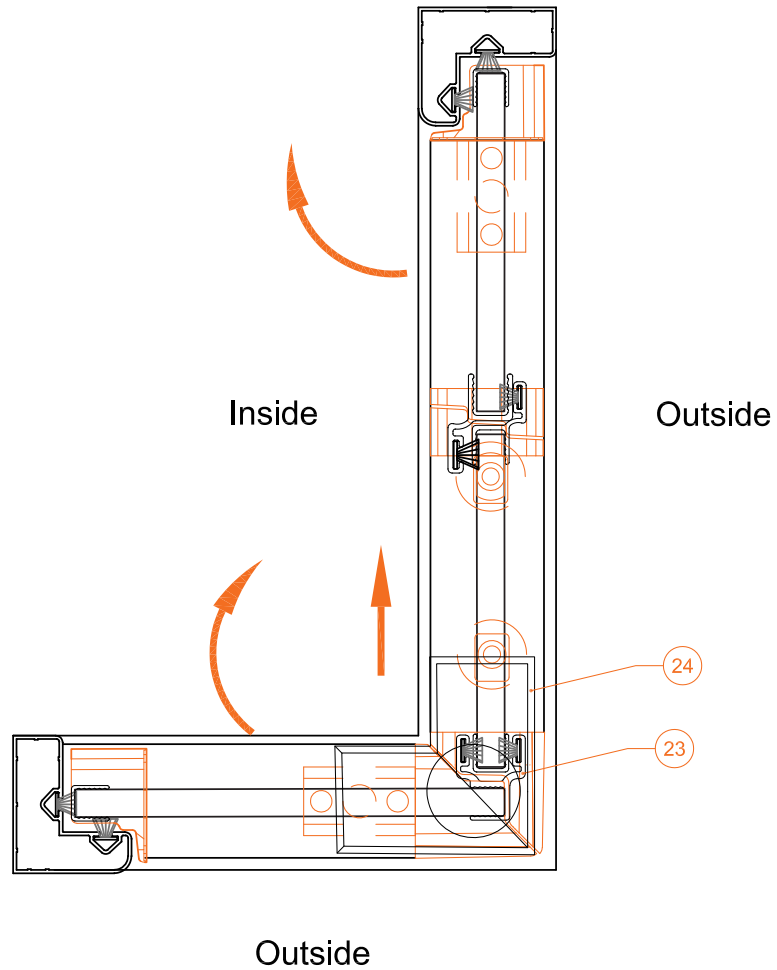
18	KP4-İKP-0030	20	KP4-AHFD-025	22	KP4-AHFK-025
19	KP4-KKP-0031	21	KP4-DBK135-521		

LEO MINOR Section



Scale: 1/2

Single Glazed Folding System LEO MINOR

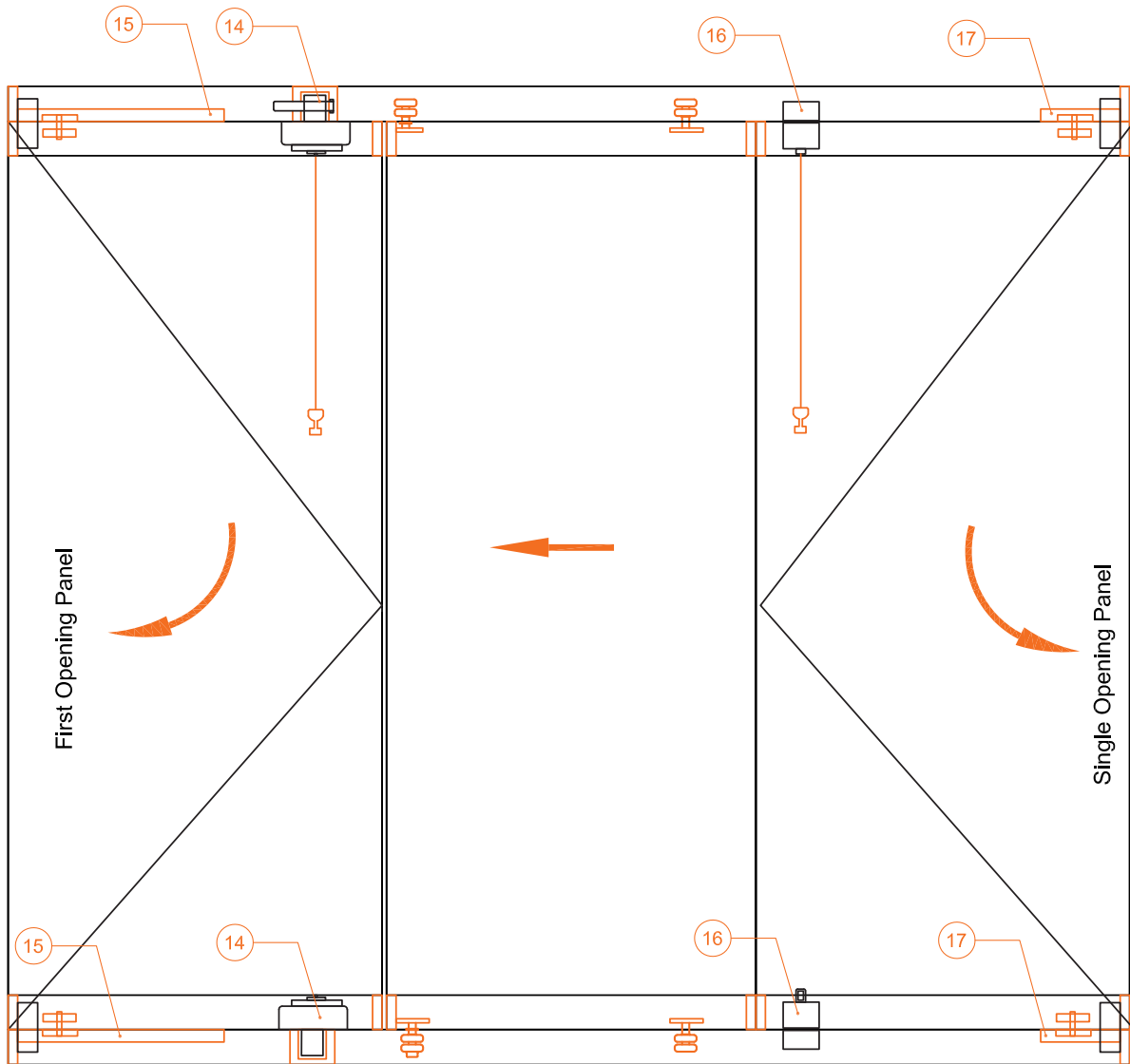


24	KP4-DGM-702
23	KP-AHFD-025

LEO MINOR Section



Single Glazed Folding System LEO MINOR



14	KP4-KTB-801	17	KP4-KT-400
15	KP4-K3-403		
16	KP4-SBK-200		

LYRA

Single Glazed Folding System



LYRA Technical Properties



Single Glazed Folding System

LYRA

Profile Technical Properties

Rail Profile 40 x 61 mm

Wall Thickness of Rail Profile 1,8 mm

Panel Profile 36 x 36 mm

Wall Thickness of Panel Profile 1,2 mm

Technical Properties Roof

System Height 2000 - 2200 mm

Panel Width 600 - 650 mm

Glass Thickness 8 mm

Glass Type Tempered / Laminated

Profile Colors (In Stock) Anodized, Bronze, Press

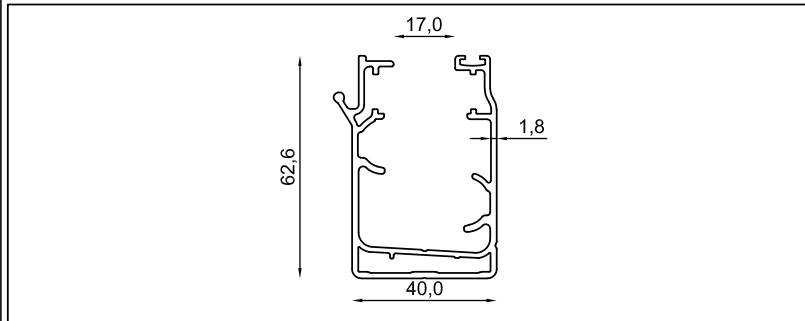
Panel Cap Colors (In Stock) Grey, Black

LYRA Profiles

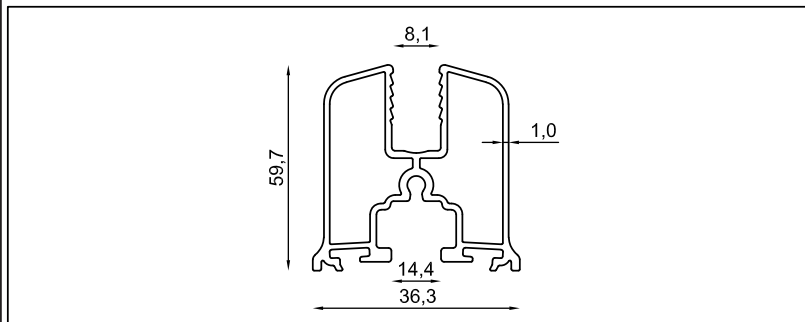


Scale: 1/2

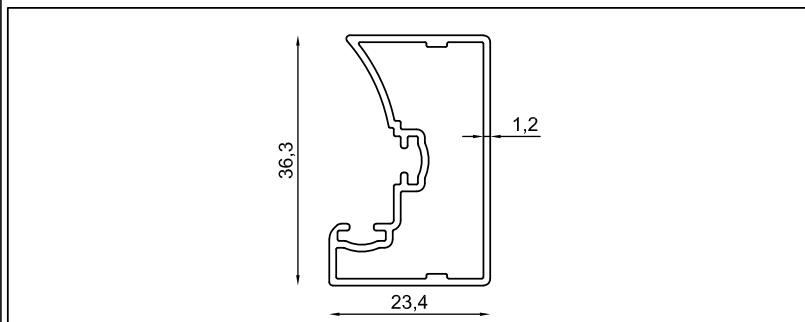
Single Glazed Folding System LYRA



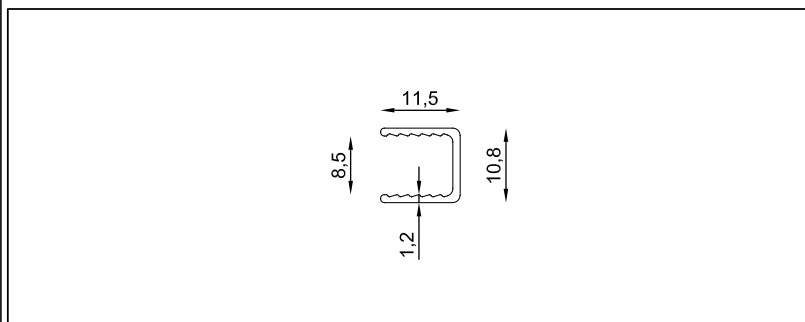
Profile Name:
Rail Profile
Code Nr.:
KPL-RP-1007
Weight kg/m:
7,80 kg - 6,5 m - (1,20 kg/m)



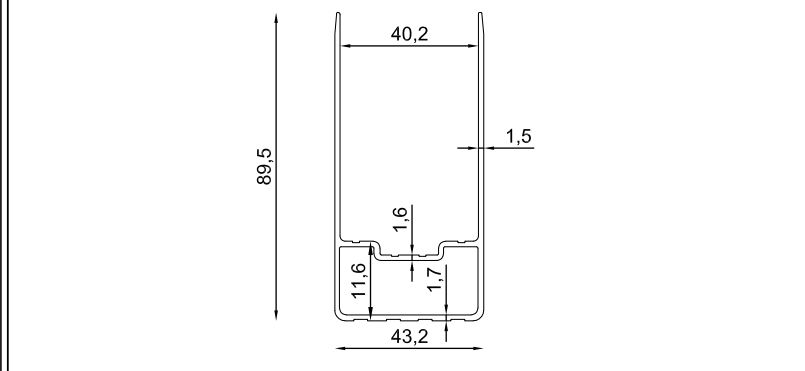
Profile Name:
Plinth Profile
Code Nr.:
KPL-BP-1008-8mm
Weight kg/m:
4,22 kg - 6,5 m - (0,65 kg/m)



Profile Name:
Side Frame Profile
Code Nr.:
KPL-YKP-1009
Weight kg/m:
2,47 kg - 6,5 m - (0,38 kg/m)



Profile Name:
U-Strip / U-Fitil
Code Nr.:
KPI-UFE-2
Weight kg/m:
1,50 kg - 6 m - (0,25 kg/m)



Profile Name:
U Drapery Box Profile
Code Nr.:
KP4-PUKP-047
Weight kg/m:
7,00 kg - 6,5 m - (1,07 kg/m)

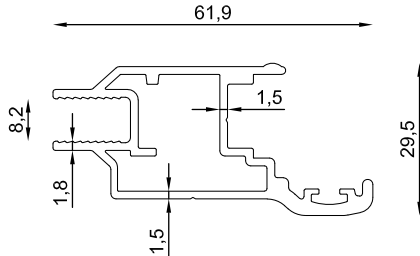
LYRA Profiles



Scale: 1/2

Single Glazed Folding System

LYRA



Profile Name:

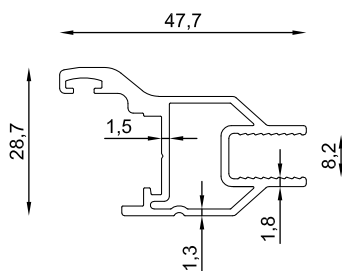
Espagnolette Lock Profile

Code Nr.:

KP3-İKP-0030 (8 - 10 mm)

Weight kg/m:

5,75 kg - 6,5 m - (0,88 kg/m)



Profile Name:

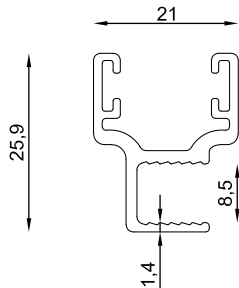
Lock Response Profile

Code Nr.:

KP3-KKP-0031 (8 - 10 mm)

Weight kg/m:

4,55 kg - 6,5 m - (0,70 kg/m)



Profile Name:

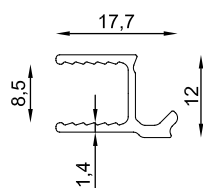
90° Corner Strip

Code Nr.:

KP3-AHFD-025 8 mm

Weight kg/m:

1,80 kg - 6 m - (0,30 kg/m)



Profile Name:

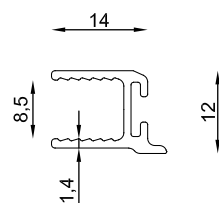
135° Corner Strip (8-10mm)

Code Nr.:

KP3-AHFD-025

Weight kg/m:

1,00 kg - 6 m - (0,17 kg/m)



Profile Name:

135° Corner Strip (8-10mm)

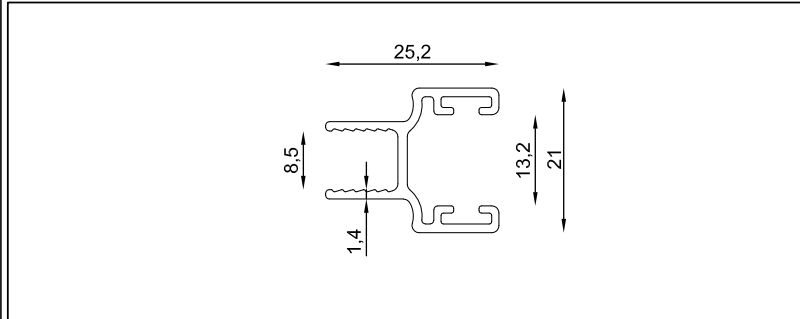
Code Nr.:

KP3-AHFK-025

Weight kg/m:

1,00 kg - 6 m - (0,17 kg/m)

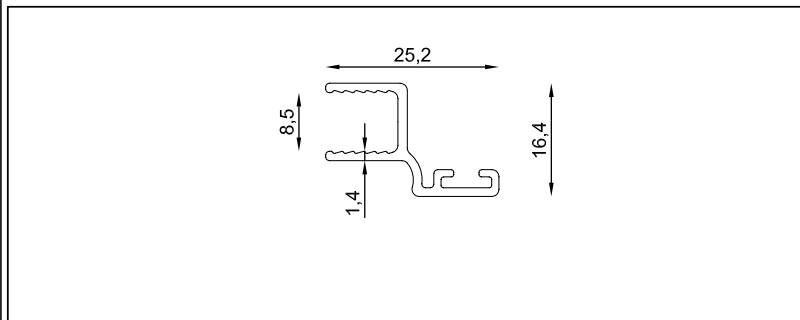
Single Glazed Folding System LYRA



Profile Name:

Code Nr.:

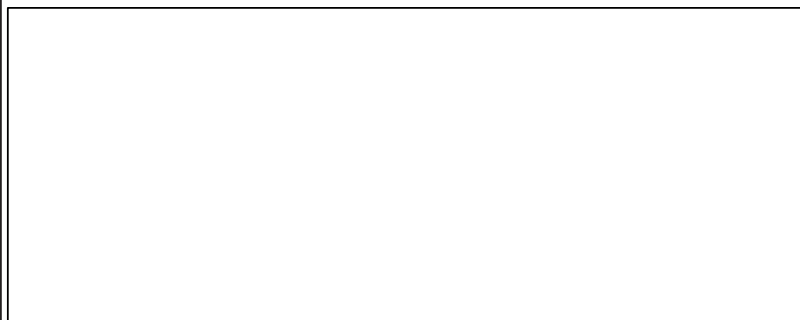
Weight kg/m:



Profile Name:

Code Nr.:

Weight kg/m:



Profile Name:

Code Nr.:

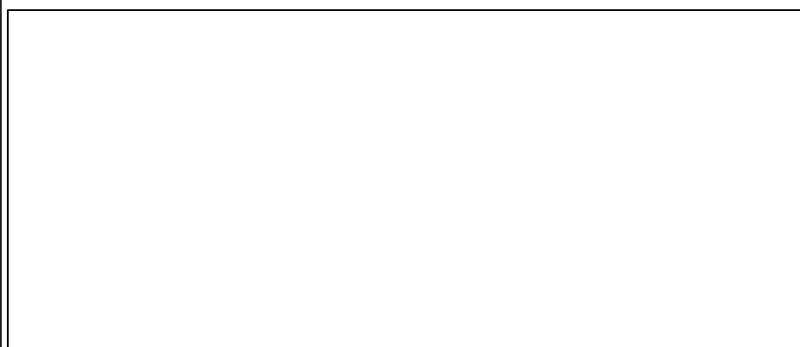
Weight kg/m:



Profile Name:

Code Nr.:

Weight kg/m:



Profile Name:

Code Nr.:

Weight kg/m:

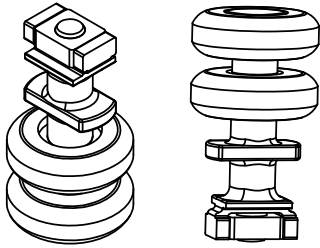
LYRA Accessory

Scale: 1/2



Single Glazed Folding System

LYRA



Name:

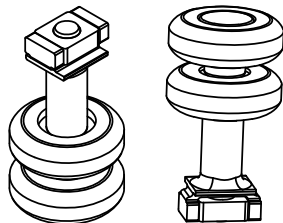
Guide Wheels

Code Nr.:

KPL-CTM-1010

Material:

Zamac



Name:

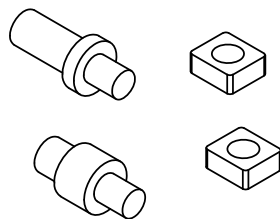
Straight Move Wheels

Code Nr.:

KPL-CTM-1011

Material:

Zamac



Name:

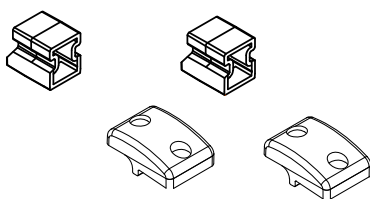
Hingers For The First Panel

Code Nr.:

KPL-MT-1012

Material:

Zamac



Name:

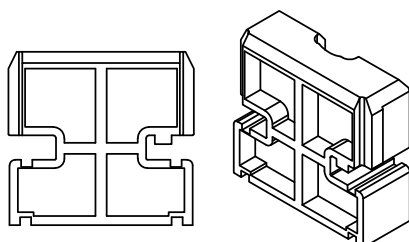
Fixed Panel Apparatus

Code Nr.:

KPL-ST-1013

Material:

Polyamide



Name:

Side Jamb Apparatus

Code Nr.:

KPL-YKA-1014

Material:

Polyamide

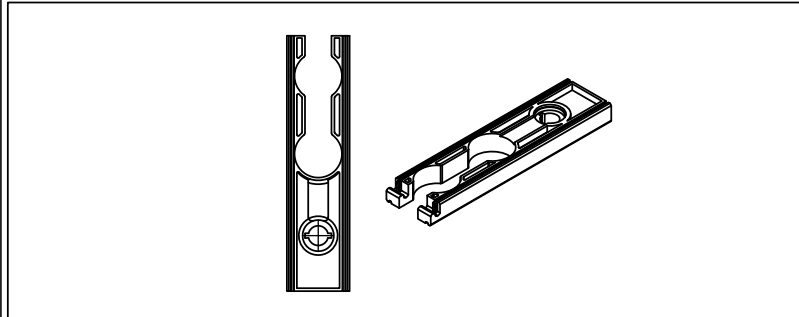
LYRA Accessory

Scale: 1/2



Single Glazed Folding System

LYRA



Name:

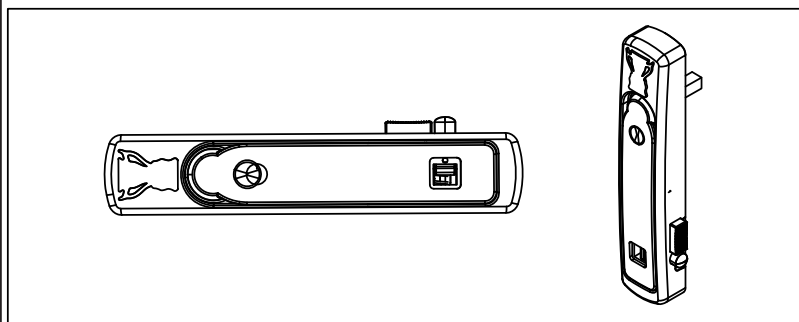
Guide Wheels Socked 3 pcs

Code Nr.:

KPL-K3-1015

Material:

Polyamide



Name:

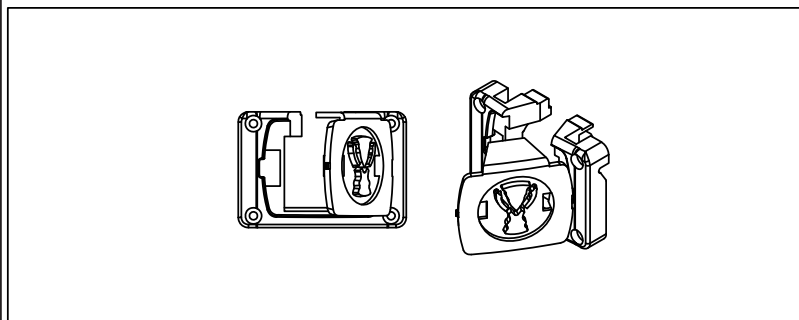
Espagnolette Lock Lever

Code Nr.:

KP3-HİSPK-13

Material:

Polyamid / Zamak



Name:

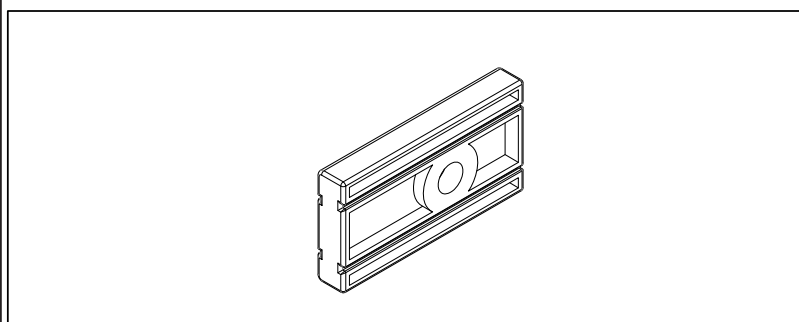
KPL Second Way Out

Code Nr.:

KPL-ÇYK-1016

Material:

Polyamide



Name:

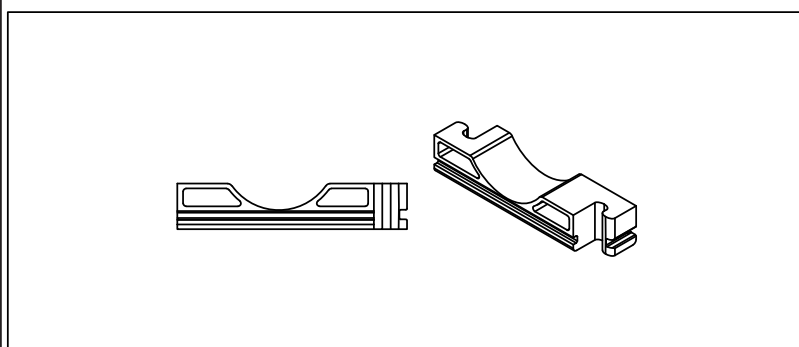
Hinge Socket

Code Nr.:

KPL-KT-1017

Material:

Polyamide



Name:

Extra Panel Socket

Code Nr.:

KPL-İK-1018

Material:

Polyamide

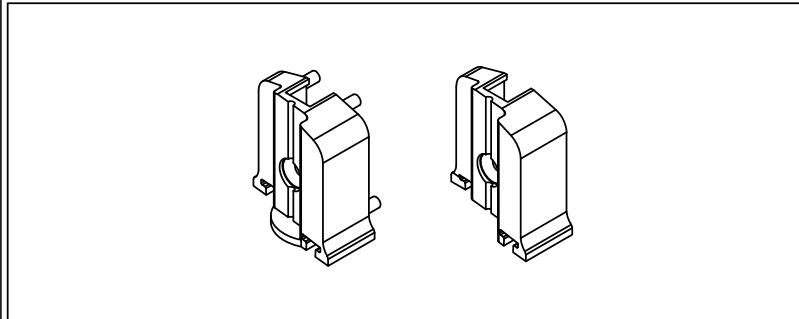
LYRA Accessory

Scale: 1/2



Single Glazed Folding System

LYRA



Name:

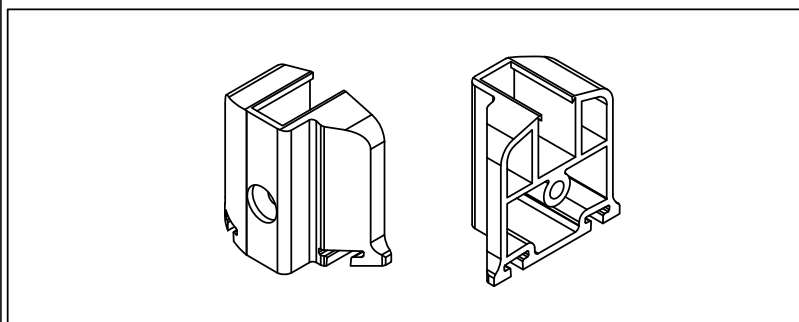
Straight Panel Cap

Code Nr.:

KPL-DBK-1019

Material:

Polyamide



Name:

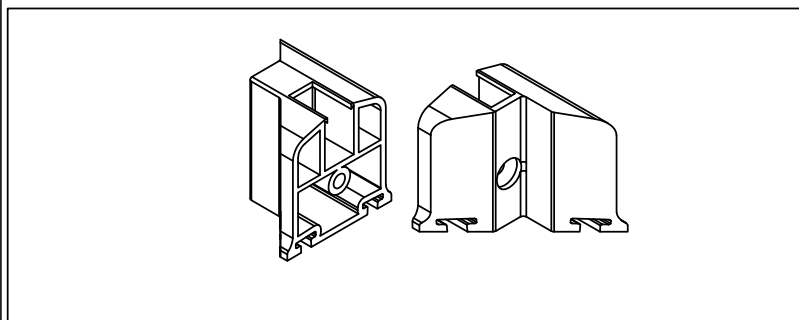
Panel Cap For Side Jumps

Code Nr.:

KPL-YKBK-1020

Material:

Polyamide



Name:

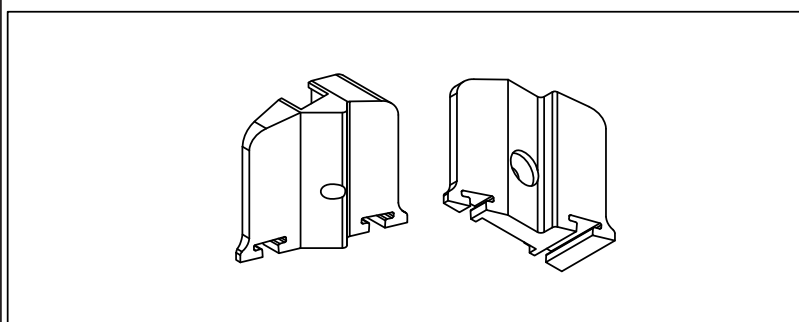
90° Panel Cap

Code Nr.:

KPL-90DBK-1021

Material:

Polyamide



Name:

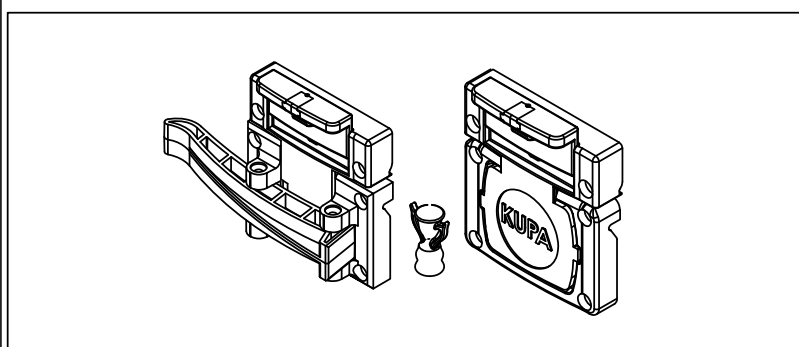
135° Panel Cap

Code Nr.:

KPL-135DBK-1022

Material:

Polyamide



Name:

Spring Look Set

Code Nr.:

KPL-YKT-1023

Material:

Polyamide

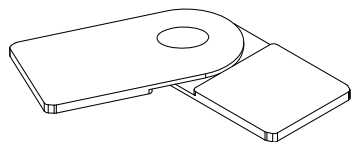
LYRA Accessory

Scale: 1/2



Single Glazed Folding System

LYRA



Name:

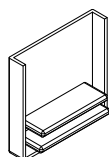
Angular Conjunction

Code Nr.:

KPL-DGM-1024

Material:

Zamac



Name:

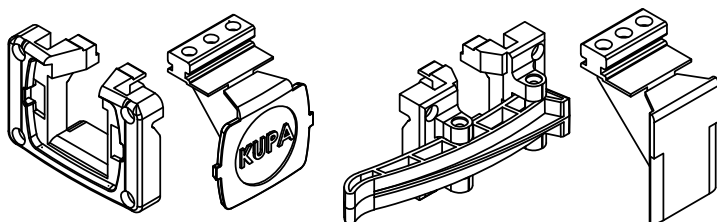
Rail End Cap

Code Nr.:

KPL-RK-1025

Material:

Polyamide



Name:

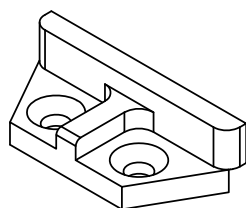
Espagnolette Lock Set

Code Nr.:

KPL-ISPCK-1026

Material:

Polyamide



Name:

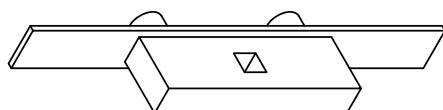
Espagnolette Key Lock

Code Nr.:

KPO-ISPCK-803

Material:

Zamac



Name:

Single Espagnolette 28 cm

Code Nr.:

KPO-KKT-21

Material:

Metal

LYRA Accessory



Scale: 1/2

Single Glazed Folding System

LYRA

Name:

Brush 6.7 / 600

Code Nr.:

KP-KFIT600-1001

Material:

PVC



Name:

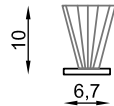
Brush 6.8 / 1000

Code Nr.:

KPO-KFIT1000-1002

Material:

PVC



Name:

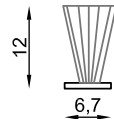
Brush 6.7 / 1200

Code Nr.:

KP-KFIT1200-1003

Material:

PVC



Name:

Code Nr.:

Material:

Name:

Code Nr.:

Material:

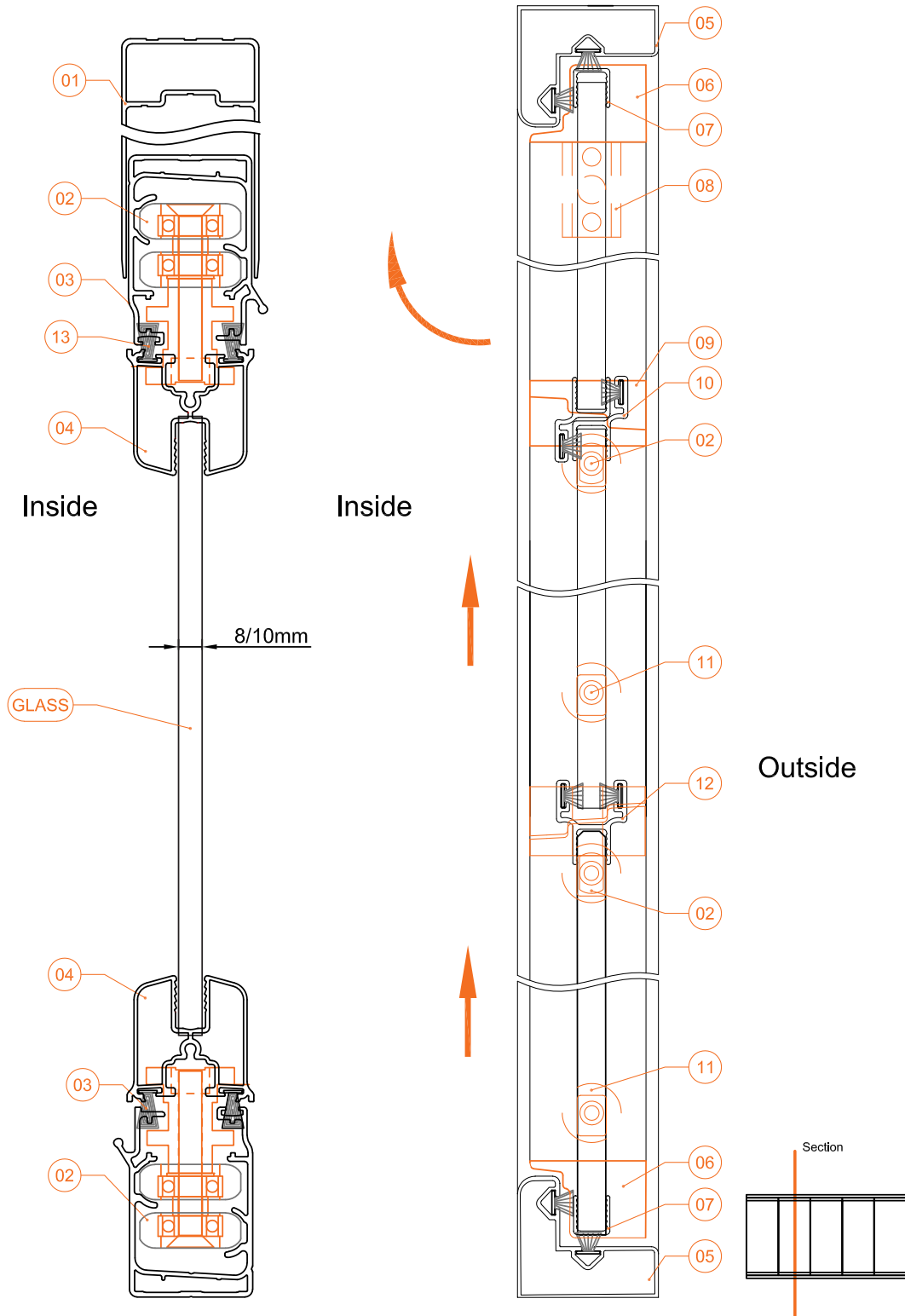
LYRA Section

Scale: 1/2



Single Glazed Folding System

LYRA



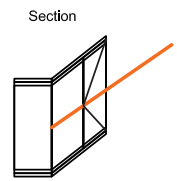
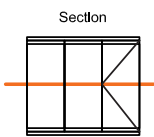
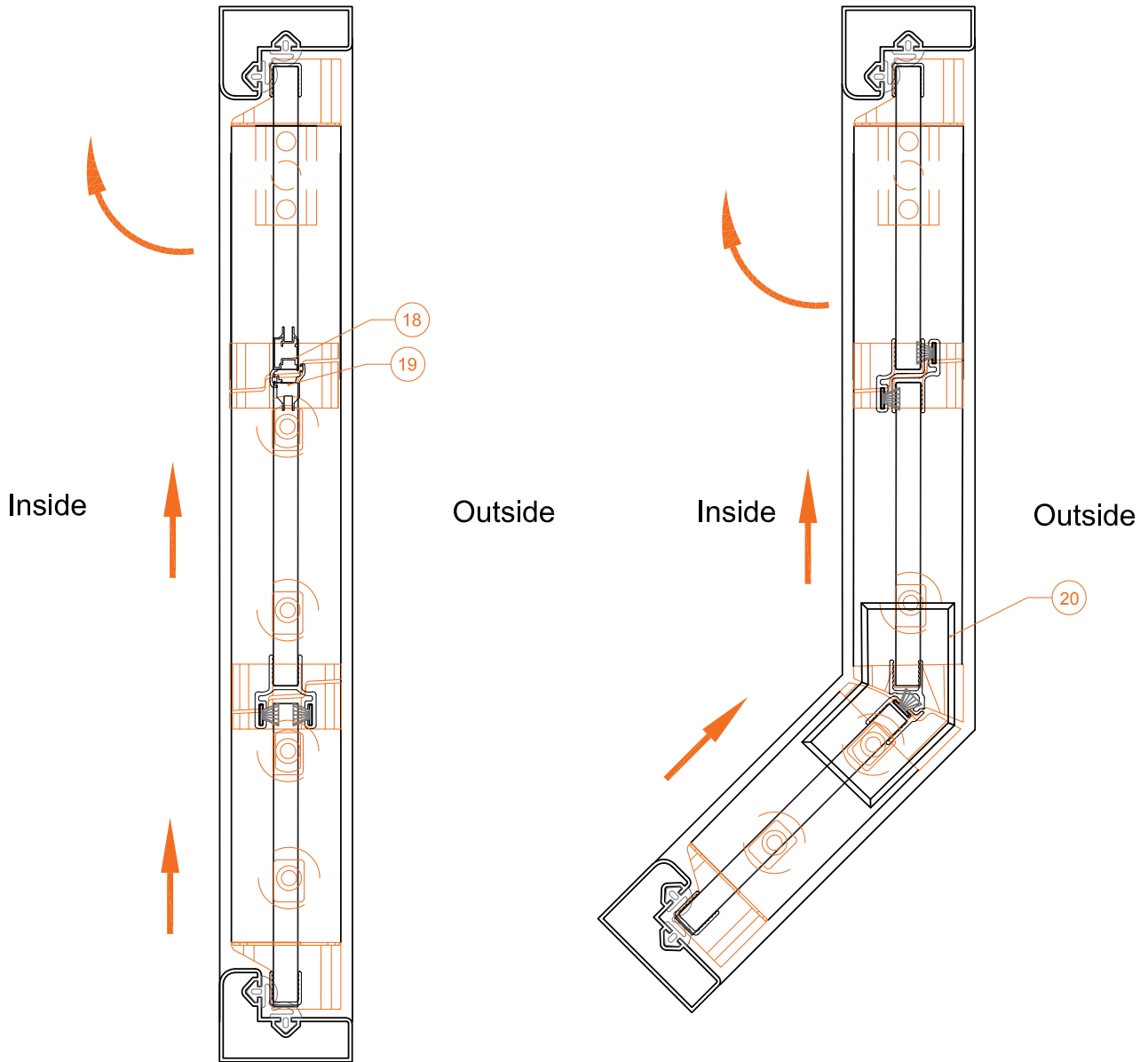
01	KP3-PUKP-047	04	KP3-BP-007	07	KPI-UFE-2	10	KP4-AHF-023	13	KPO-KFIT1000-1002
02	KP3-CTM-109	05	KP3-YKP-021	08	KP3-MT-105	11	KP3-CDTM-108		
03	KP3-RP-014	06	KP3-YKBK-511	09	KP3-DBK-501	12	KP4-AHF-022		

LYRA Section



Scale: 1/2

Single Glazed Folding System LYRA



18	KP3-IKP-0030	20	KP3-DGM-702
19	KP3-KKP-0031		

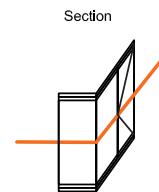
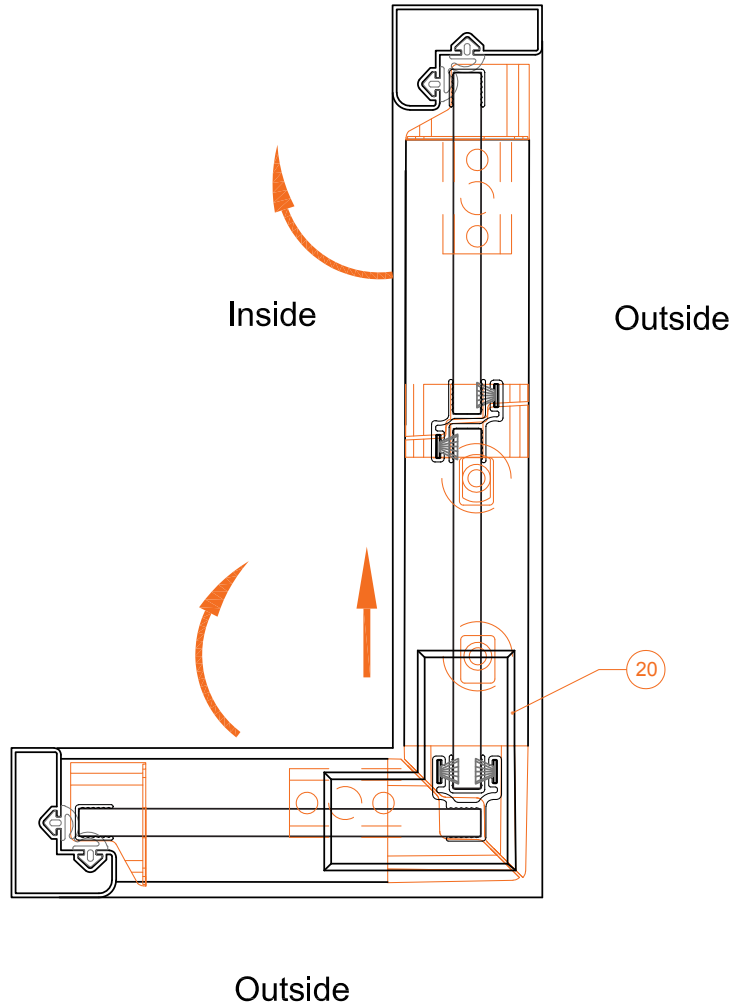
LYRA Section

Scale: 1/2



Single Glazed Folding System

LYRA



20 | KP3-DGM-702

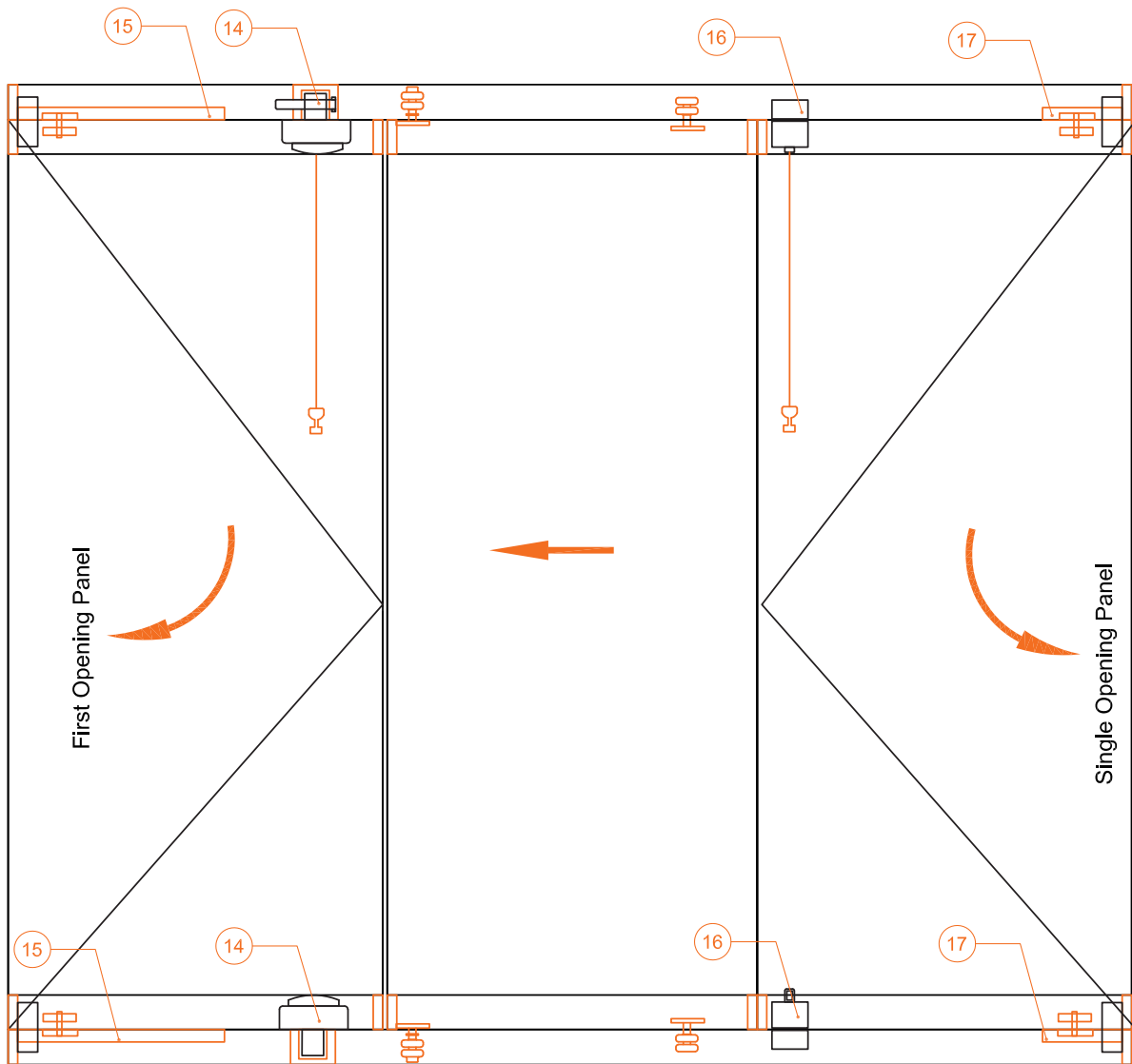
LYRA Front View



Scale: 1/2

Single Glazed Folding System

LYRA



Front View

14	KP3-KTB-801	17	KP3-KT-400
15	KP3-K3-403		
16	KP3-TA-806		

ORION

Double Glazed Folding System



ORION Technical Properties



Double Glazed Folding System

ORION

Profile Technical Properties

Rail Profile 47 x 67 mm

Wall Thickness of Rail Profile 2,7 mm

Panel Profile 37 x 37 mm

Wall Thickness of Panel Profile 1,5 mm

Technical Properties Roof

System Height 3000 - 3200 mm

Panel Width 700 - 750 mm

Glass Thickness 28 mm Double Glass

Glass Type Tempered

Profile Colors (In Stock) Anodized, Press

Panel Cap Colors (In Stock) Grey, Black

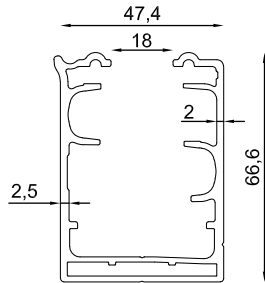
ORION Profiles

Scale: 1/2



Double Glazed Folding System

ORION



Profile Name:

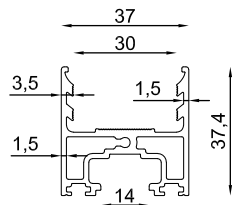
Rail Profil

Code Nr.:

KPO-RP-01

Weight kg/m:

11,00 kg - 6,50 m - (1,70 kg/m)



Profile Name:

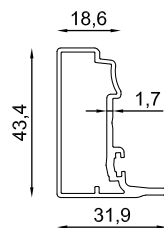
Panel Profil 4+20+4

Code Nr.:

KPO-BP-02

Weight kg/m:

5,50 kg - 6,50 m - (0,84 kg/m)



Profile Name:

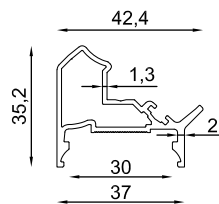
Side Frame Profil

Code Nr.:

KPO-YKP-03

Weight kg/m:

3,60 kg - 6,50 m - (0,55 kg/m)



Profile Name:

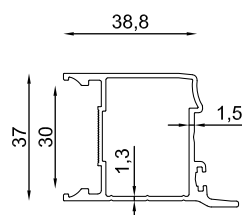
135° Side Frame

Code Nr.:

KPO-135ÇP-07

Weight kg/m:

4,00 kg - 6,50 m - (0,62 kg/m)



Profile Name:

First Panel Profile

Code Nr.:

KPO-İKP-04

Weight kg/m:

4,60 kg - 6,50 m - (0,71 kg/m)

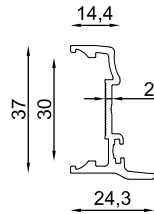
ORION Profiles



Scale: 1/2

Double Glazed Folding System

ORION



Profile Name:

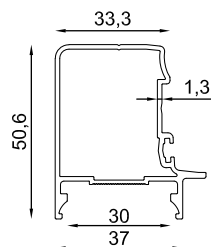
Panel Side Profile

Code Nr.:

KPO-AÇP-05

Weight kg/m:

2,70 kg - 6,50 m - (0,42 kg/m)



Profile Name:

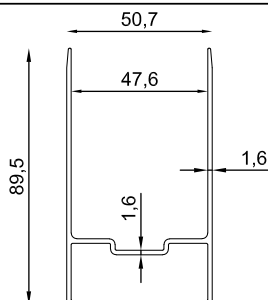
90° Profile

Code Nr.:

KPO-90ÇP-06

Weight kg/m:

4,6 kg - 6,50 m - (0,71 kg/m)



Profile Name:

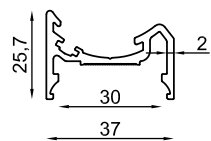
U Drapery Box Profile

Code Nr.:

KPO-UPKP-07

Weight kg/m:

7,60 kg - 6,50 m - (1,17 kg/m)



Profile Name:

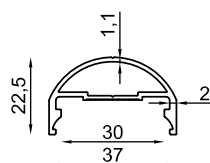
Panel Side Profile

Code Nr.:

KPO-OCÇP-08

Weight kg/m:

3,56 kg - 6,50 m - (0,54 kg/m)



Profile Name:

Panel Side Profile

Code Nr.:

KPO-OÇP-09

Weight kg/m:

2,62 kg - 6,50 m - (0,40 kg/m)

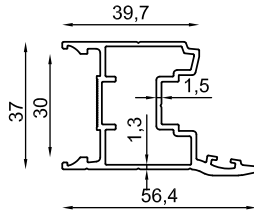
ORION Profiles

Scale: 1/2



Double Glazed Folding System

ORION



Profile Name:

Espagnolette Lock Profile

Code Nr.:

KPO-İKP-10

Weight kg/m:

5,63 kg - 6,50 m - (0,86 kg/m)

Profile Name:

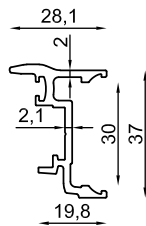
Lock Response Profile

Code Nr.:

KPO-KKP-11

Weight kg/m: / Ağırlık

3,53 kg - 6,50 m - (0,54 kg/m)



Profile Name:

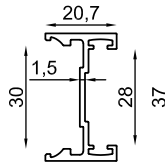
New Intermediate Strip Large Strike Profile

Code Nr.:

KPO-YACBKP-12

Weight kg/m:

2,61 kg - 6,50 m - (0,40 kg/m)



Profile Name:

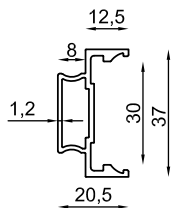
New Intermediate Strip Small Strike Profile

Code Nr.:

KPO-YACKKP-13

Weight kg/m:

2,66 kg - 6,50 m - (0,41 kg/m)



Profile Name:

New Spacer Gasket

Code Nr.:

KP10-YAÇ-10

Weight kg/m:

Rubber



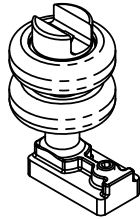
ORION Accessory



Scale: 1/2

Double Glazed Folding System

ORION



Name: / Isim:

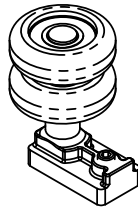
Guide Wheel

Code Nr.:

KPO-CMD-1

Material:

Zamac



Name:

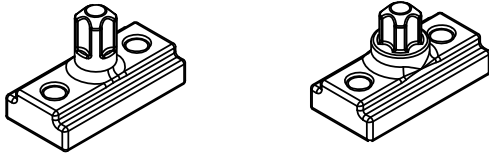
Straight Move Wheels

Code Nr.:

KPO-CMK-2

Material:

Zamac



Name:

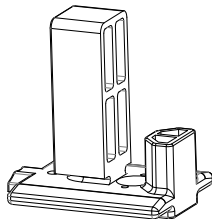
Hingers For The First Panel

Code Nr.:

KPO-MT-3

Material:

Zamac



Name:

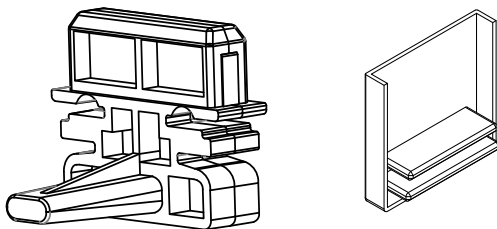
Hinge Socket

Code Nr.:

KPO-MY-4

Material:

Polyamide



Name:

Side Jamb Apparatus

Code Nr.:

KPO-YKA-6

Material:

Polyamide

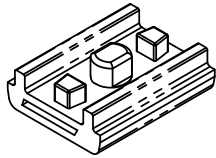
ORION Accessory

Scale: 1/2



Double Glazed Folding System

ORION



Name:

Guide Wheel Socket

Code Nr.:

KPO-KY-7

Material:

Polyamide

Name:

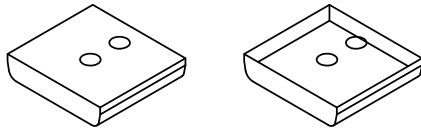
Guide Wheels Socked Stopper

Code Nr.:

KPO-KTS-8 KPO-KTS-9

Material:

Polyamide - Zamac



Name:

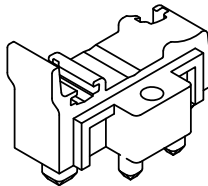
Straight Panel Cap

Code Nr.:

KPO-DBK-9

Material:

Polyamide



Name: / İsim:

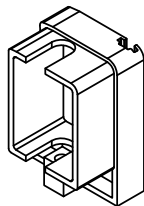
90° Panel Cap

Code Nr.:

KPO-90DBK-11

Material:

Polyamide



Name: / İsim:

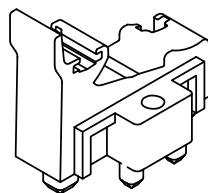
135° Panel Cap

Code Nr.:

KPO-135DBK-14

Material:

Polyamide



ORION Accessory

Scale: 1/2



Double Glazed Folding System

ORION

Name:

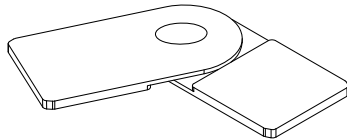
Angular Conjunction

Code Nr.:

KPO-DGM-15

Material:

Zamac



Name:

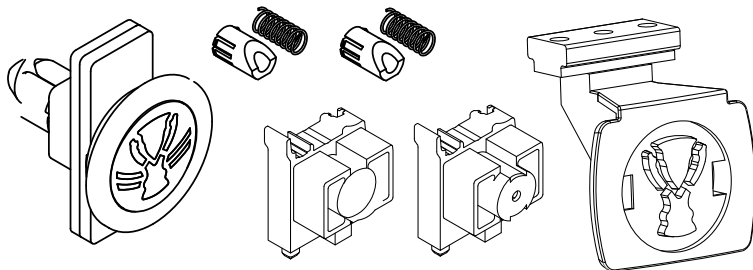
Look Set

Code Nr.:

KPO-KKT-17

Material:

Polyamide



Color - Polyamid - s/b/g

Name:

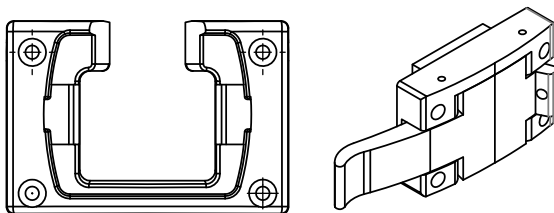
Exit Guide and Striker Plate

Code Nr.:

KPO-ÇKYT-18

Material:

Polyamide



Color - Polyamid - s/b/g

Name:

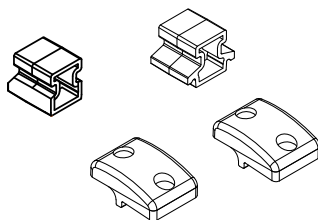
Fixed Wing Apparatus

Code Nr.:

KPO-SKAP-12

Material:

Polyamide



Color - Polyamid - s/b/g

Name:

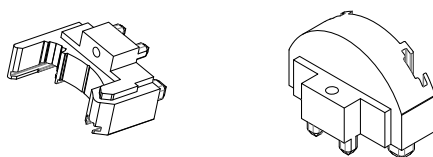
Oval Corner Cover

Code Nr.:

KPO-OBK-13

Material:

Polyamide



Color - Polyamid - s/b/g

ORION Accessory



Scale: 1/1

Double Glazed Folding System

ORION



Profile Name:

Panel Side Gasket

Code Nr.:

KPO-AÇÇ-20

Material:

EPDM



Profile Name:

Pane Gasket

Code Nr.:

KPO-BC-21

Material:

EPDM



Profile Name:

Window Seal

Code Nr.:

KPO-CC-22

Material:

EPDM



Profile Name:

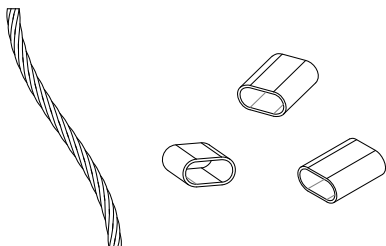
Vario Corner Gasket

Code Nr.:

KPO-AKCF-26

Material:

EPDM



Profile Name:

Stainless Steel Rope

Code Nr.:

KPO-ÇH-24

KPO-KY-25

Material:

Lead Sockets

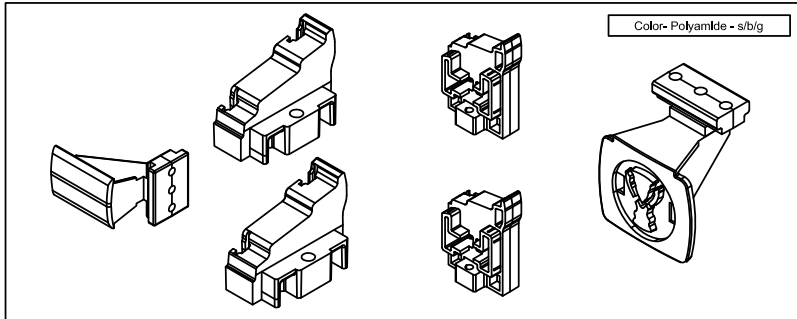
ORION Accessory

Scale: 1/2

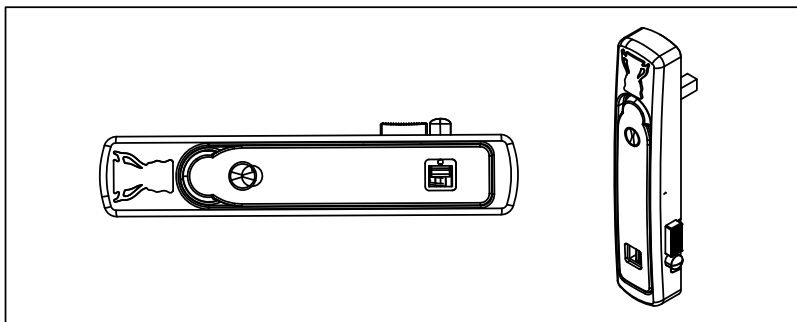


Double Glazed Folding System

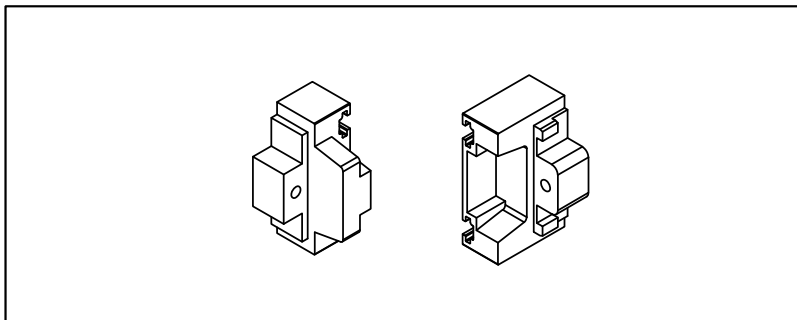
ORION



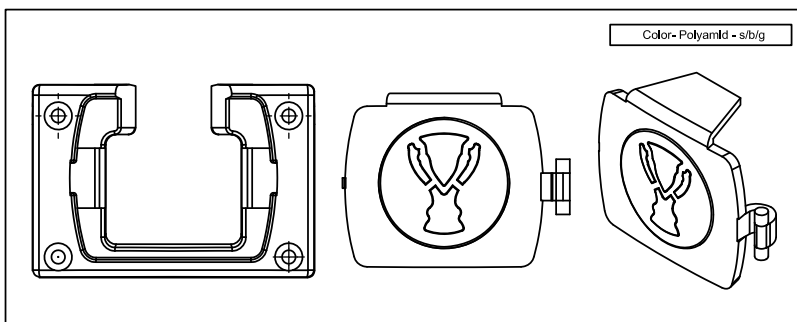
Name:	Espagnolette Wing Lock Set
Code Nr.:	KPO-KKT-17
Material:	Polyamide



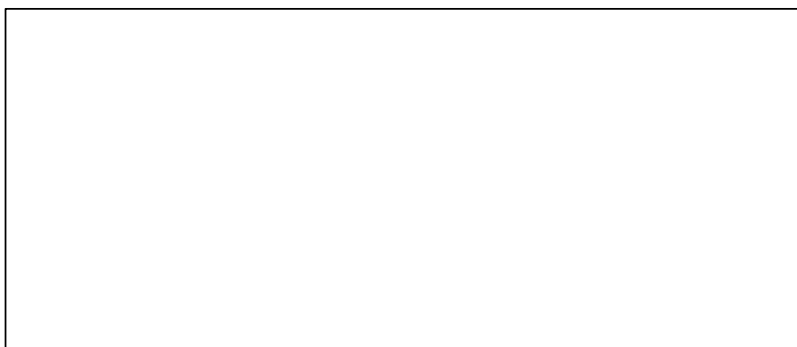
Name:	Espagnolette Lock Lever
Code Nr.:	KPO-HİSPK-13
Material :	Polyamide / Zamac



Name:	New Flat Plinth Cover
Code Nr.:	KPO-YDBK-19
Material	Polyamide



Name:	Exit Guide and Striker Plate
Code Nr.:	KPO-ÇKYT-18
Material:	Polyamide



Name:	
Code Nr.:	
Material:	

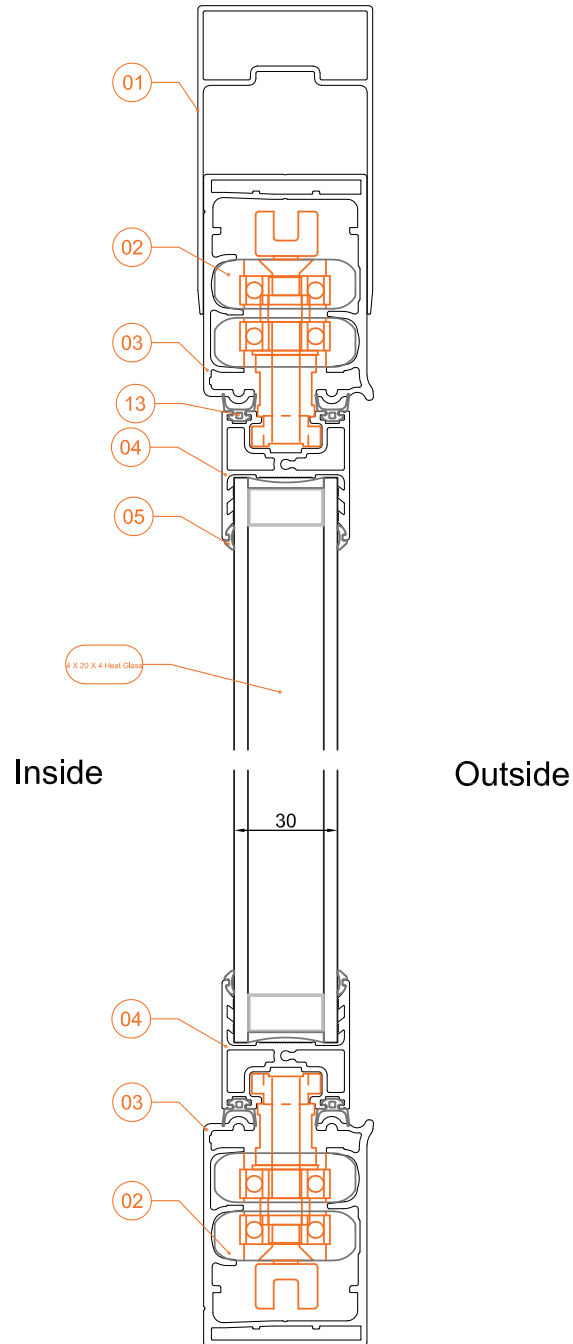
ORION Section

Scale: 1/2



Double Glazed Folding System

ORION



01	KPO-PUKP-07	04	KPO-BP-02
02	KPO-CMD-1	05	KPO-CC-22
03	KPO-RP-01	13	KPO-KFIT1000-1002

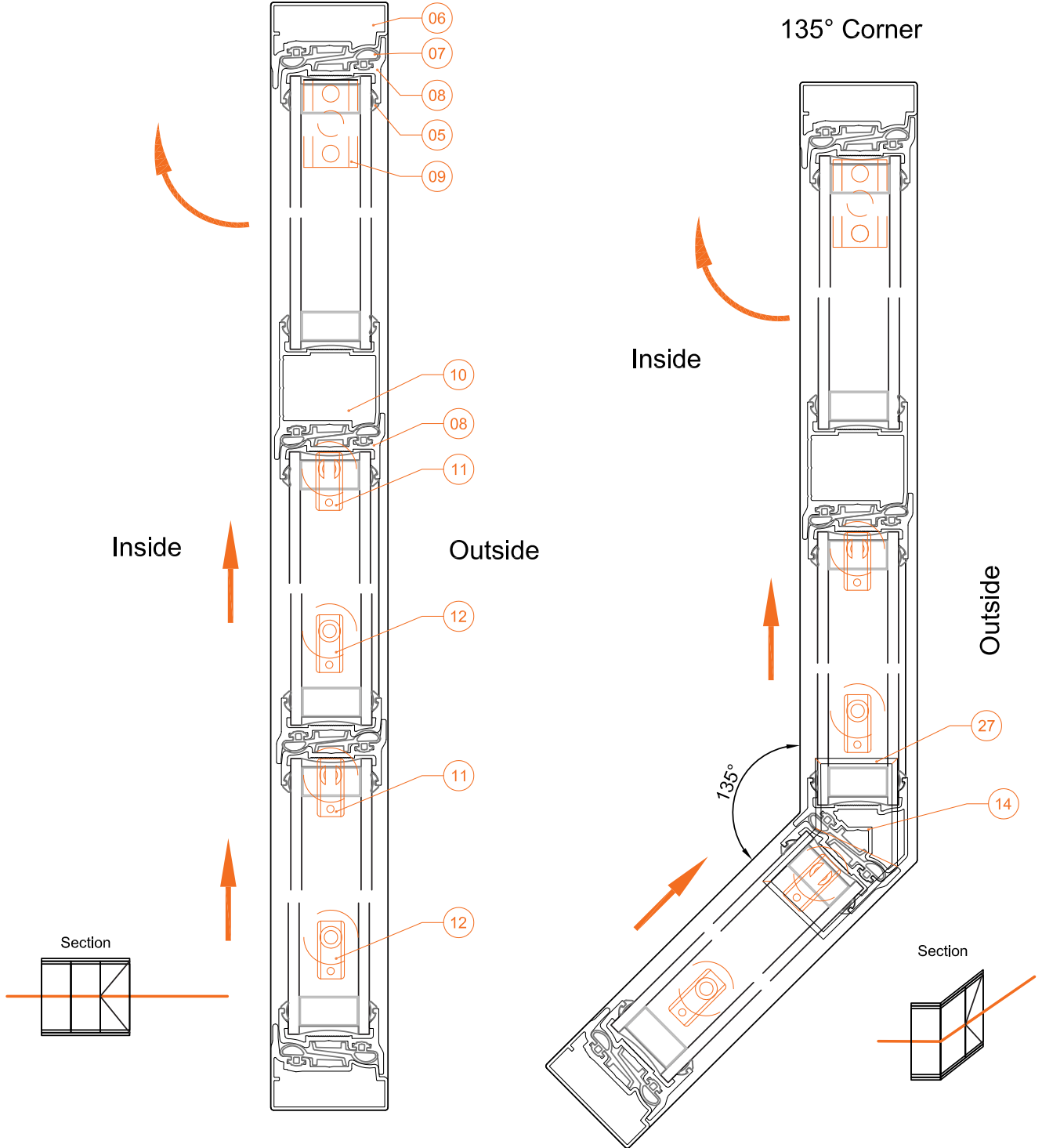
ORION Section

Scale: 1/2



Double Glazed Folding System

ORION



06	KPO-YKP-03	09	KPO-MT-3	12	KPO-CMK-2
07	KPO-AÇÇ-20	10	KPO-90ÇP-06	14	KPO-135ÇP-07
08	KPO-AÇP-05	11	KPO-CMD-1	27	KPO-DGM-15

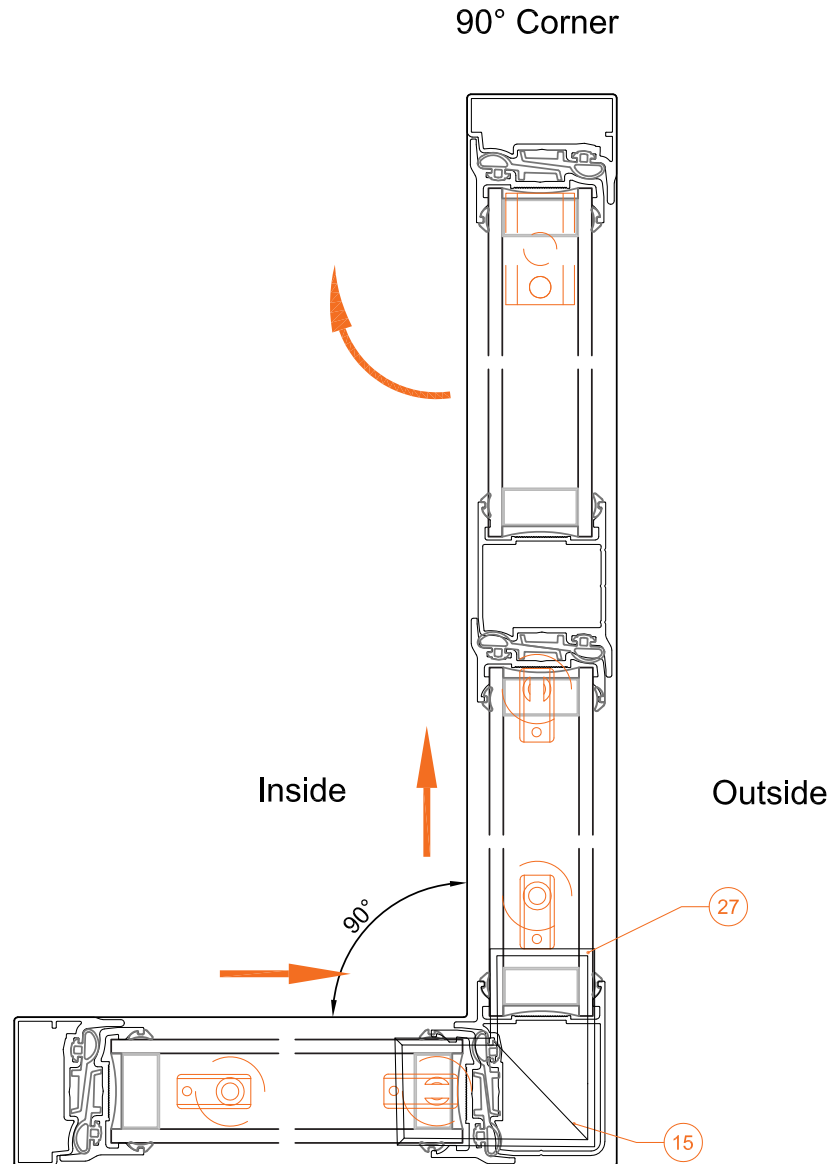
ORION Section

Scale: 1/2

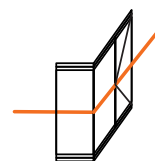


Double Glazed Folding System

ORION



Section



27	KPO-DGM-15
15	KPO-90ÇP-06

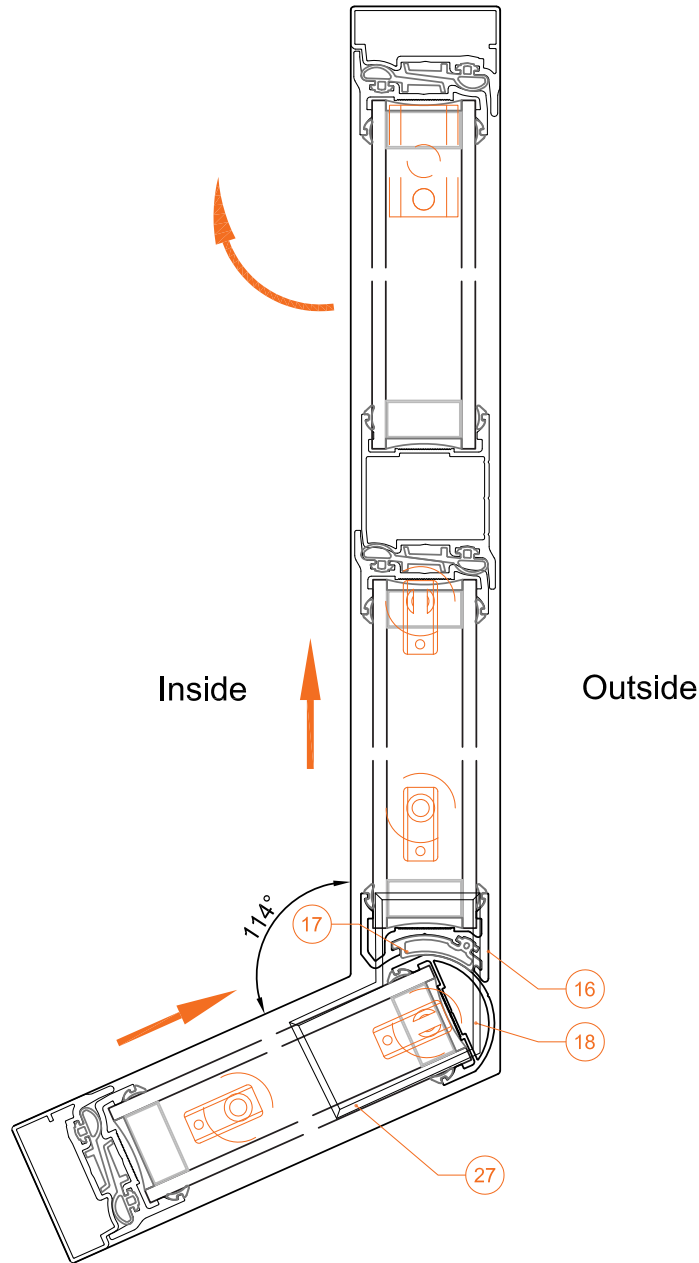
ORION Section



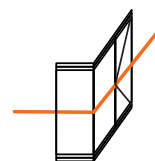
Scale: 1/2

Double Glazed Folding System ORION

95° - 270° Corner



Section



16	KPO-OCÇP-08	27	KPO-DGM-15
17	KPO-OÇP-09		
18	KPO-AKCF-26		

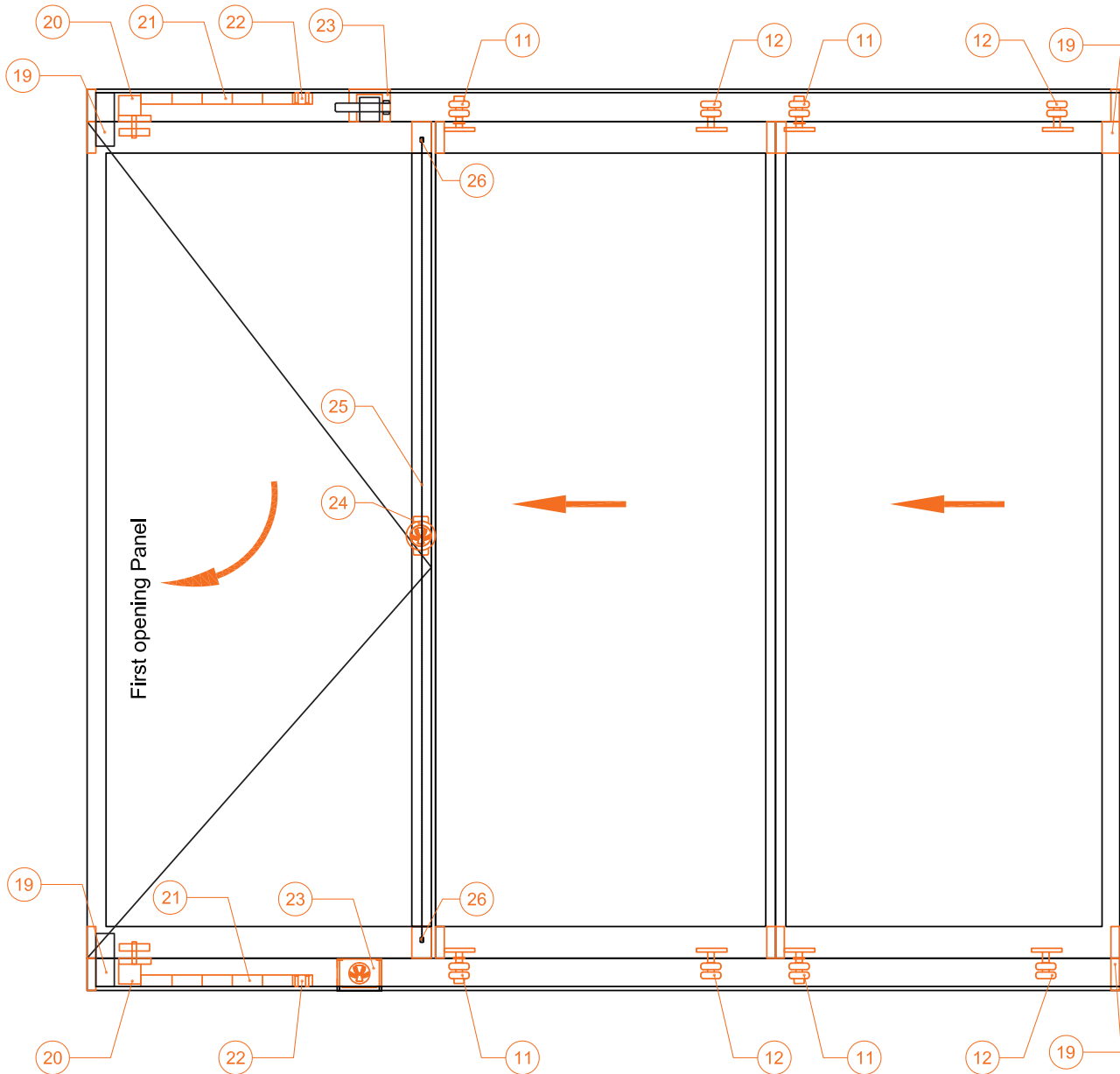
ORION Front View



Scale: 1/2

Double Glazed Folding System

ORION



Front View

19	KPO-YKA-6	22	KPO-KTS-8 KPO-KTS-9	25	KPO-ÇH-24
20	KPO-MY-4	23	KPO-ÇKYT-18	26	KPO-KY-25
21	KPO-KY-7	24	KPO-KKT-17		



ORION

POLAR

Double Glazed Folding System



POLAR Technical Properties



Double Glazed Folding System

POLAR

Profile Technical Properties

Rail Profile 40 x 65 mm

Wall Thickness of Rail Profile 2,5 mm

Panel Profile 33 x 38 mm

Wall Thickness of Panel Profile 1,8 mm

Technical Properties Roof

System Height 2500 - 2800 mm

Panel Width 600 - 650 mm

Glass Thickness 4 x 20 x 4 mm

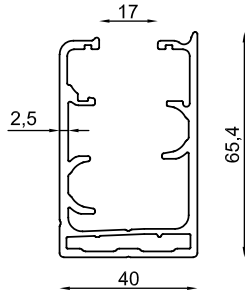
Glass Type Tempered / Laminated

Profile Colors (In Stock) Anodized, Bronze, Press

Panel Cap Colors (In Stock) Grey, Black

Double Glazed Folding System

POLAR



Profile Name:

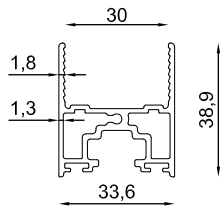
Rail Profil

Code Nr.:

KP4-RP-014

Weight kg/m:

9,70 kg - 6,50 m - (1,50 kg/m)



Profile Name:

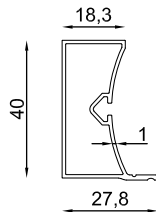
Panel Profil 4+20+4

Code Nr.:

KP1-BPP-1

Weight kg/m:

4,40 kg - 6,00 m - (0,74 kg/m)



Profile Name:

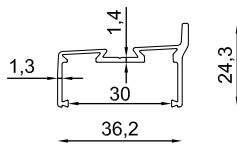
Side Frame Profil

Code Nr.:

KP1-YDPP-3

Weight kg/m:

3,00 kg - 6,50 m - (0,46 kg/m)



Profile Name:

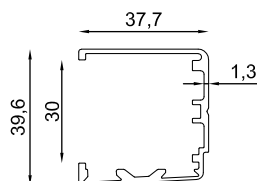
Panel Side Profile

Code Nr.:

KPI-TEKP-6

Weight kg/m:

2,10 kg - 6,00 m - (0,35 kg/m)



Profile Name:

90° Profile / 90° Profili

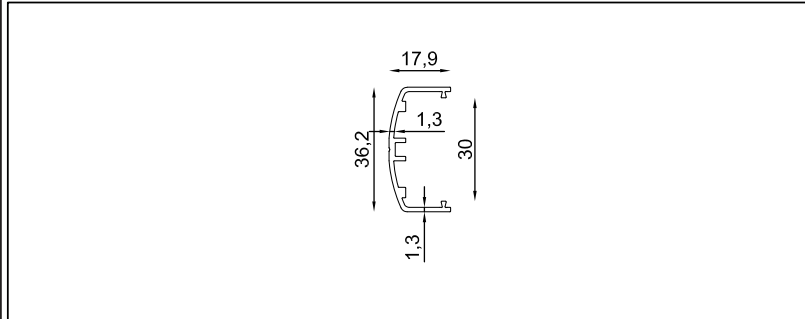
Code Nr.:

KPI-90FP-8

Weight kg/m:

3,20 kg - 6,00 m - (0,54 kg/m)

Double Glazed Folding System **POLAR**



Profile Name:

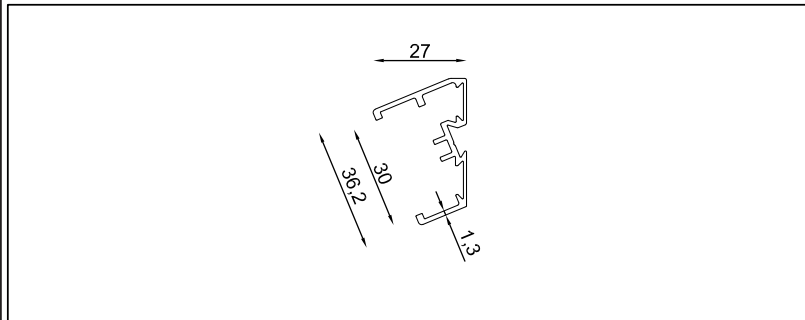
Side Frame Profil

Code Nr.:

KP1-YPP-2

Weight kg/m:

2,00 kg - 6,50 m - (0,30 kg/m)



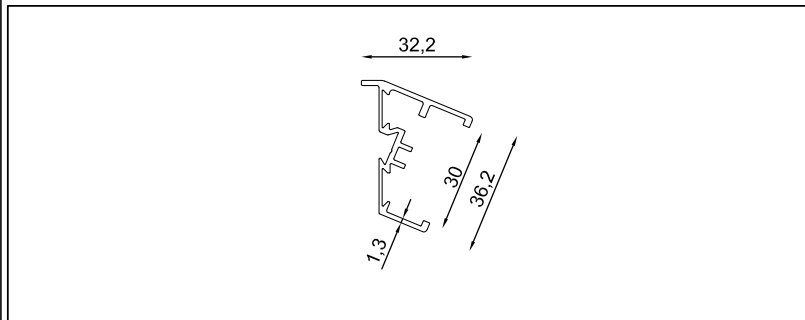
Profile Name:

Code Nr.:

KPI-135FP-7

Weight kg/m:

2,60 kg - 6,00 m - (0,44 kg/m)



Profile Name:

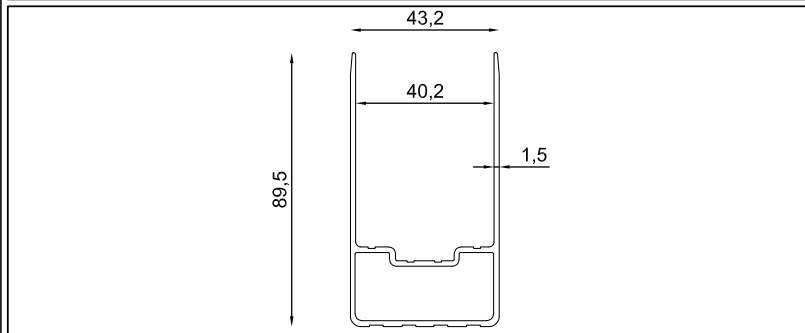
135° Side Frame

Code Nr.:

KPI-135FPT-7

Weight kg/m:

2,60 kg - 6,00 m - (0,44 kg/m)



Profile Name:

U Drapery Box Profile

Code Nr.:

KP4-PUKP-047

Weight kg/m:

7,00 kg - 6,50 m - (1,07 kg/m)



Profile Name:

Code Nr.:

Weight kg/m:

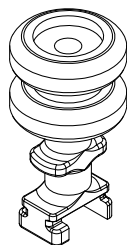
POLAR Accessory

Scale: 1/1



Double Glazed Folding System

POLAR



Name:

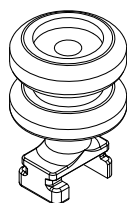
Guide Wheels

Code Nr.:

KP4-CKTM-109

Material:

Zamac



Name:

Straight Move Wheels

Code Nr.:

KP4-CDTM-108

Material:

Zamac



Name:

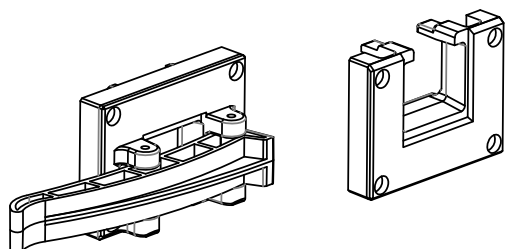
Hingers For The First Panel

Code Nr.:

KP4-MT-105

Material:

Zamac



Name:

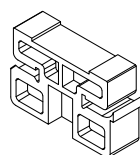
Look Second Output Kit

Code Nr.:

KP4-KK-500

Material:

Polyamide



Name:

Side Jamb Apparatus

Code Nr.:

KP4-YKA-204

Material:

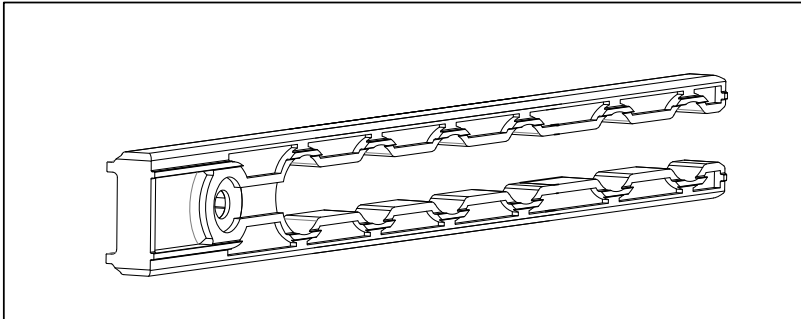
Polyamide

POLAR Accessory

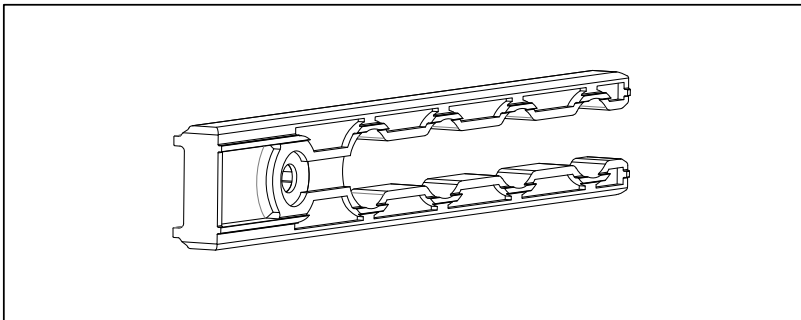


Scale: 1/1

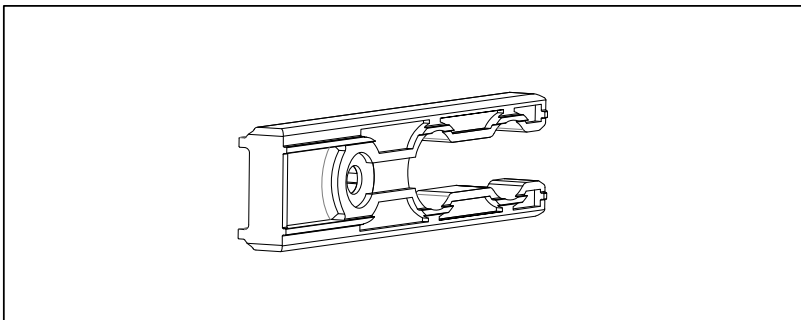
Double Glazed Folding System POLAR



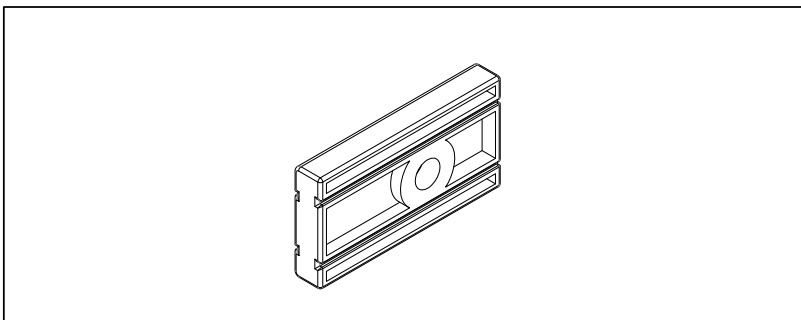
Name:
Guide Wheels Socked 7 pcs
Code Nr.:
KP4-K7-401
Material:
Polyamide



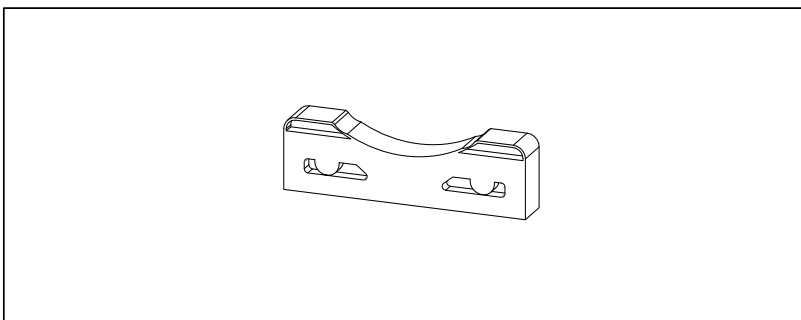
Name:
Guide Wheels Socked 5 pcs
Code Nr.:
KP4-K5-402
Material:
Polyamide



Name:
Guide Wheels Socked 3 pcs
Code Nr.:
KP4-K3-403
Material:
Polyamide



Name:
Hinge Socket
Code Nr.:
KP4-KT-400
Material:
Polyamide



Name:
Extra Panel Socket
Code Nr.:
KP4-İK-401
Material:
Polyamide

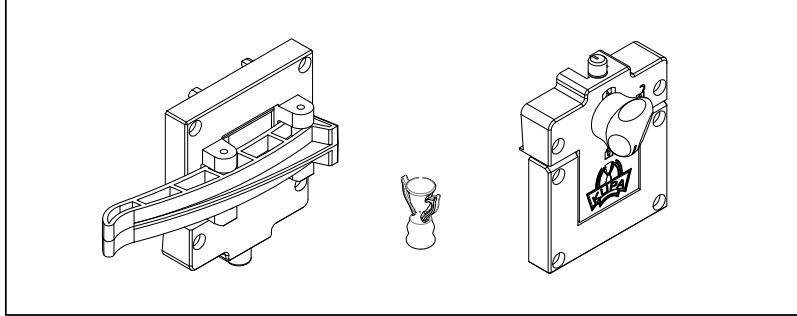
POLAR Accessory



Scale / Ölçek: 1/1

Double Glazed Folding System / Isıcamlı Katlanır Sistem

POLAR



Name: / İsim:

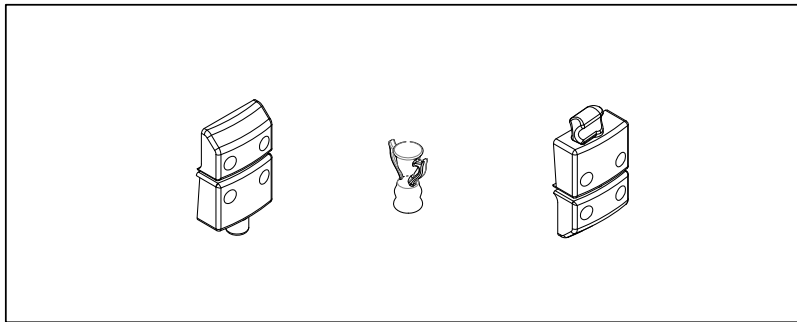
Look Set (Double Pin) / Kilit Takımı

Code Nr.: / Kod No.:

KP4-KTB-801

Material / Malzeme:

Polyamide / Polyamid



Name: / İsim:

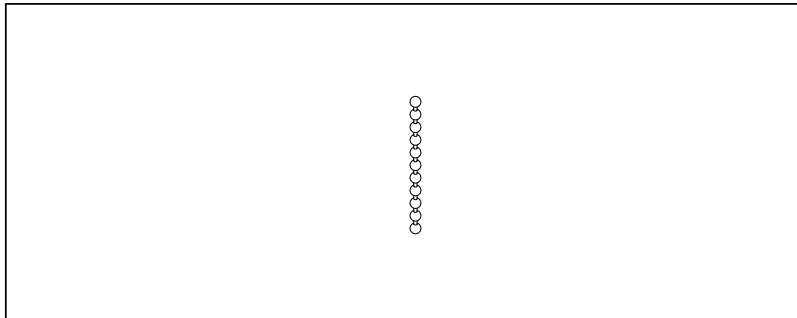
Strike Plate / Kilit Karşılığı

Code Nr.: / Kod No.:

KP4-SBK-200

Material / Malzeme:

Polyamide / Polyamid



Name: / İsim:

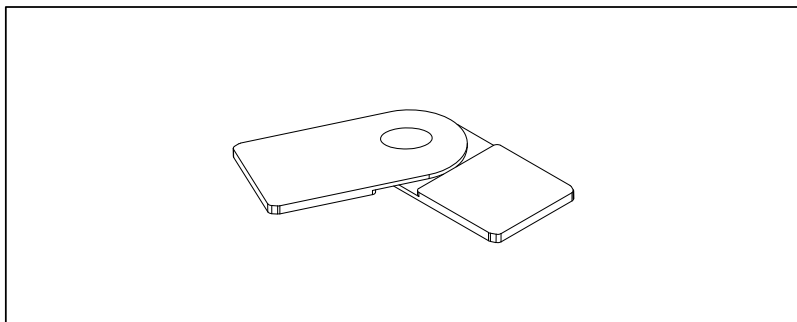
Rope / Sincir İpi

Code Nr.: / Kod No.:

KP4-DBK-501

Material / Malzeme:

Polyamide / Polyamid



Name: / İsim:

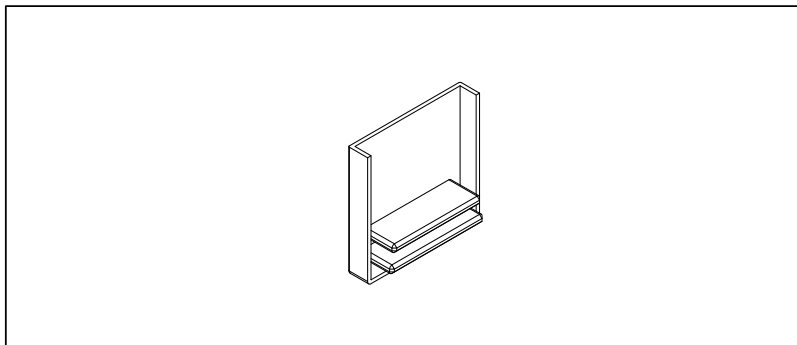
Angular Conjunction / Dereceli Gönye

Code Nr.: / Kod No.:

KP4-DGM-702

Material / Malzeme:

Zamac / Zamak



Name: / İsim:

Rail End Cap / Ray Kapağı

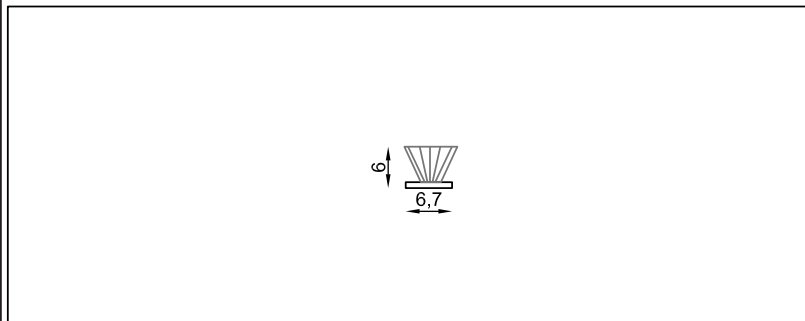
Code Nr.: / Kod No.:

KP4-RK-300

Material / Malzeme:

Polyamide / Polyamid

Double Glazed Folding System **POLAR**



Name:

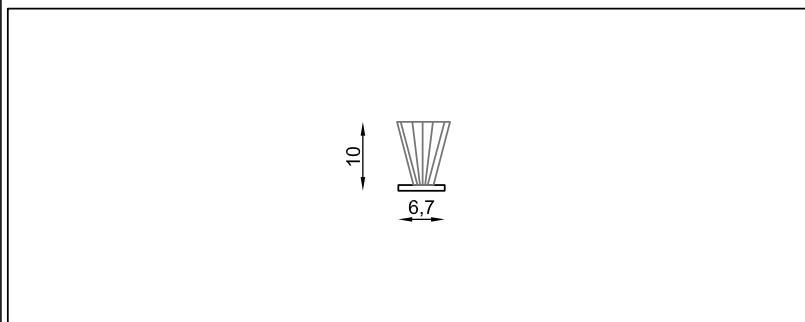
Brush 6.7 / 600

Code Nr.:

KP-KFIT600-1001

Material:

PVC



Name:

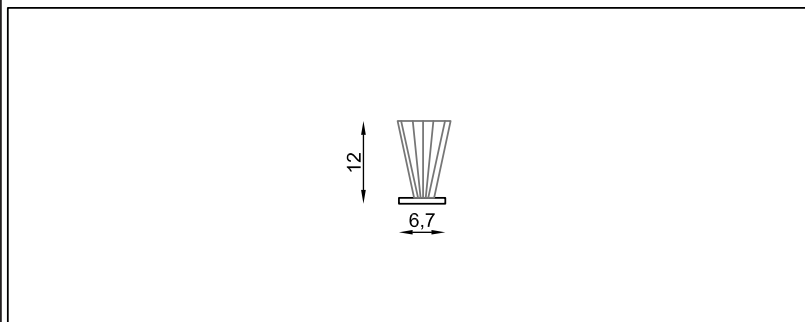
Brush 6.8 / 1000

Code Nr.:

KPO-KFIT1000-1002

Material:

PVC



Name:

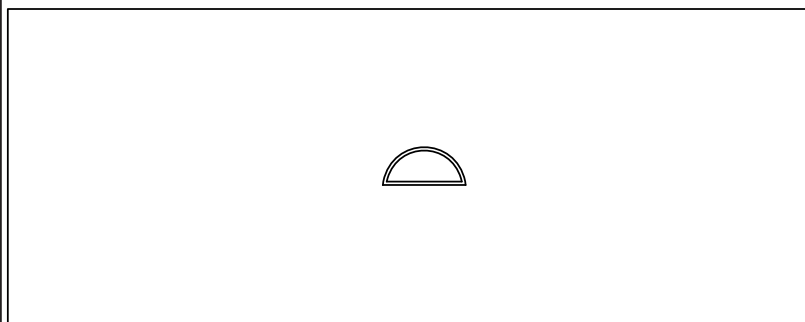
Brush 6.7 / 1200

Code Nr.:

KP-KFIT1200-1003

Material:

PVC



Name:

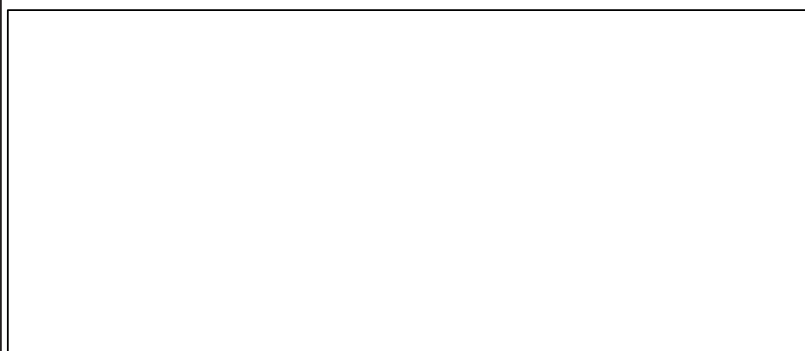
Panel Side Gasket

Code Nr.:

KPI-C-8

Material:

EPDM



Name:

Code Nr.:

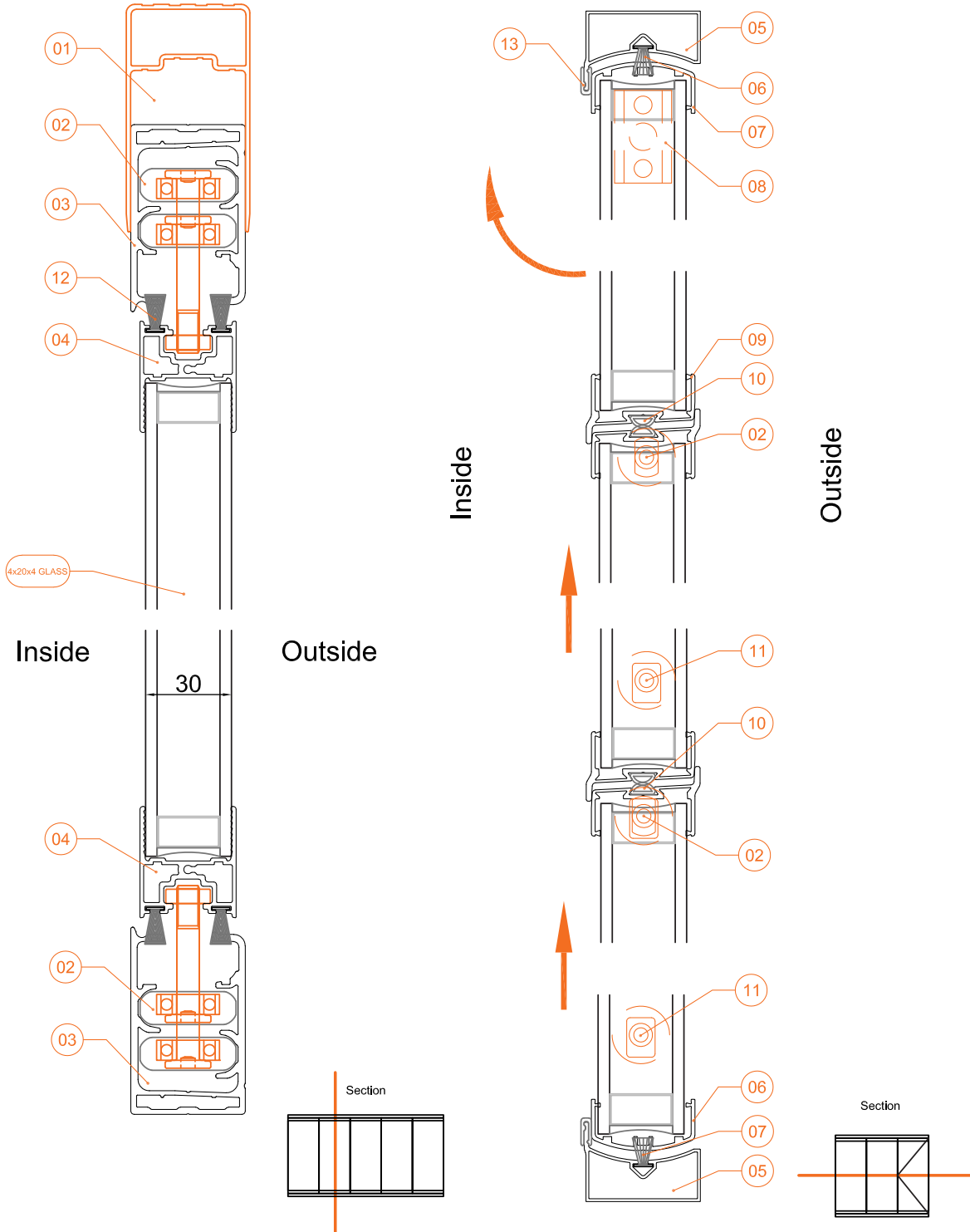
Material:

POLAR Section

Scale: 1/1



Double Glazed Folding System POLAR



01	KP4-PUKP-047	04	KPI-BPP-1	07	KPI-YPP-2	10	KPI-C-8	13	KPI-C-7
02	KP4-CTM-109	05	KPI-BPP-3	08	KP4-MT-105	11	KP4-CDTM-108		
03	KP4-RP-014	06	KPO-KFIT1000-1002	09	KPI-TEKP-6	12	KPO-KFIT1000-1002		

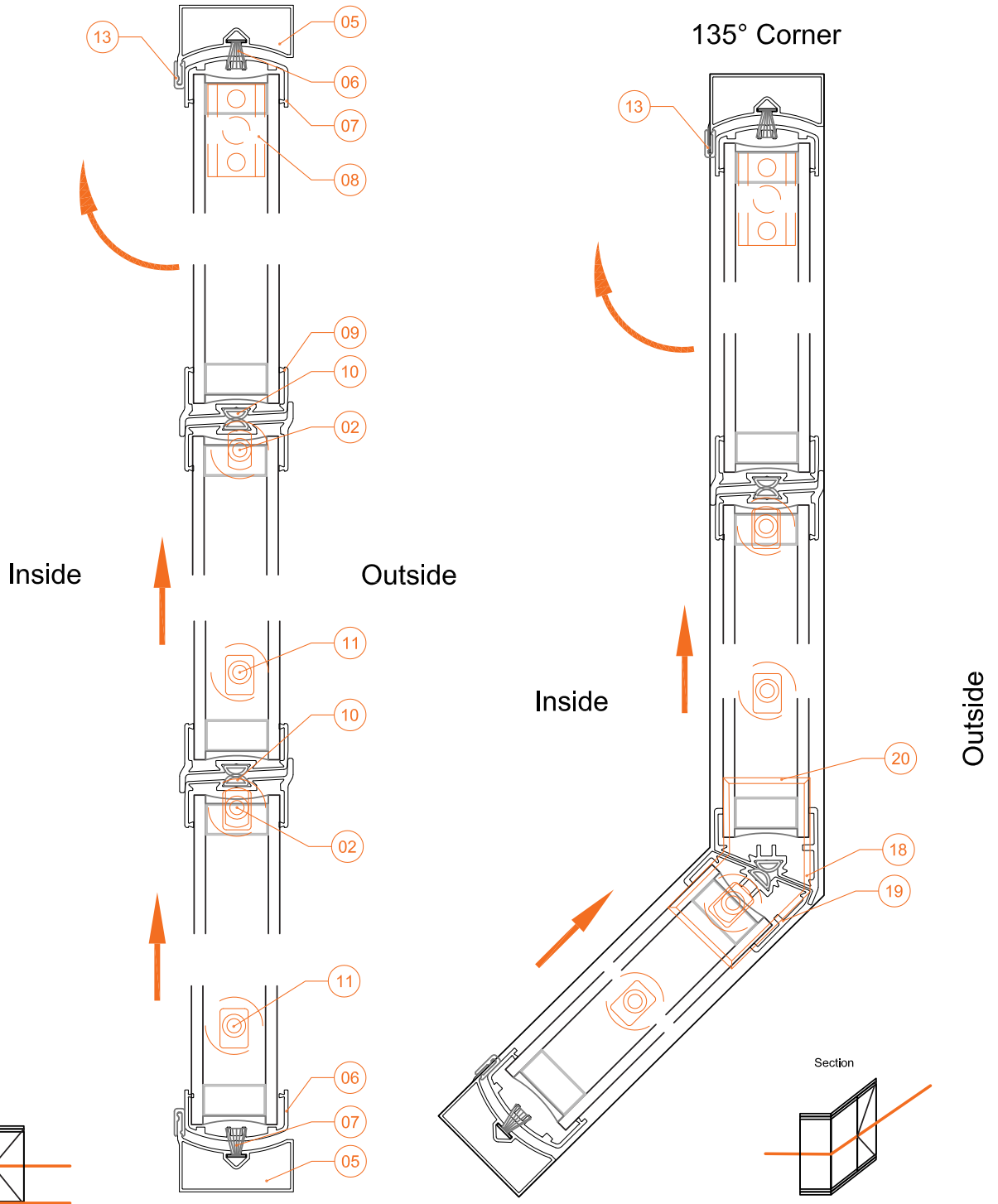
POLAR Section

Scale: 1/1



Double Glazed Folding System

POLAR



01	KP4-PUKP-047	04	KPI-BPP-1	07	KPI-YPP-2	10	KPI-C-8	13	KPI-C-7
02	KP4-CTM-109	05	KPI-BPP-3	08	KP4-MT-105	11	KP4-CDTM-108	18	KPI-135FPT-7
03	KP4-RP-014	06	KPO-KFIT1000-1002	09	KPI-TEKP-6	12	KPO-KFIT1000-1002	19	KPI-135FP-7

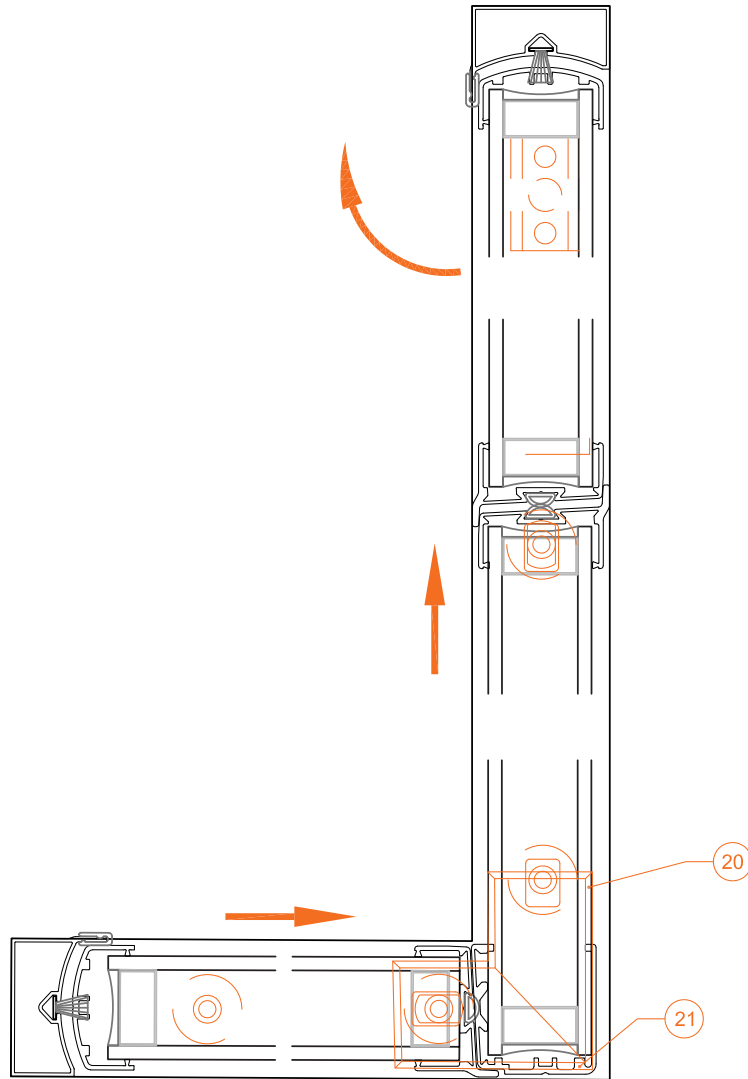
POLAR Section



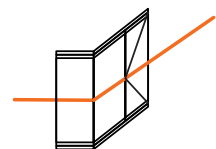
Scale: 1/1

Double Glazed Folding System POLAR

90° Corner



Section



20	KP4-DGM-702
21	KPI-90FP-8

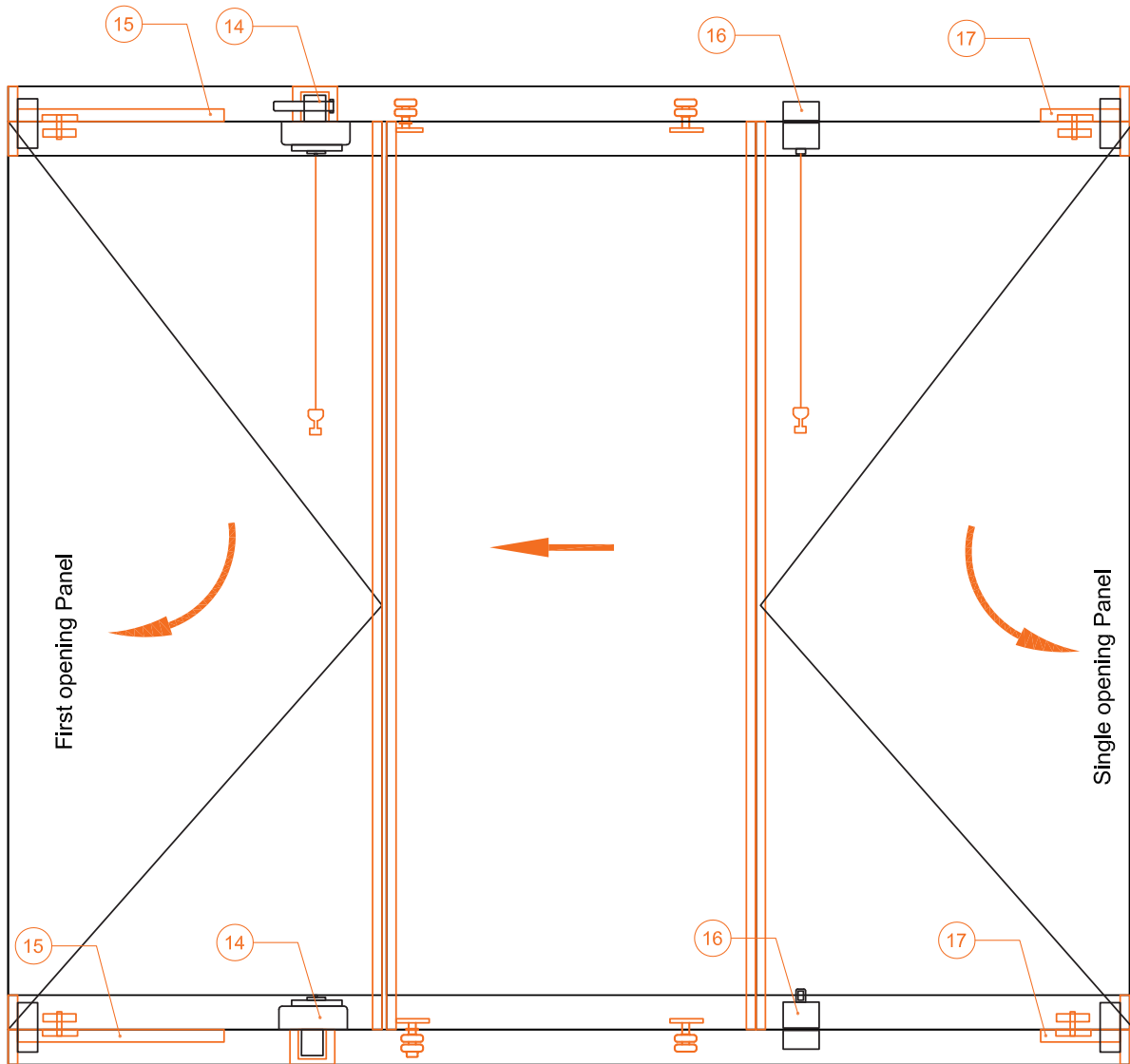
POLAR Section

Scale: 1/1



Double Glazed Folding System

POLAR

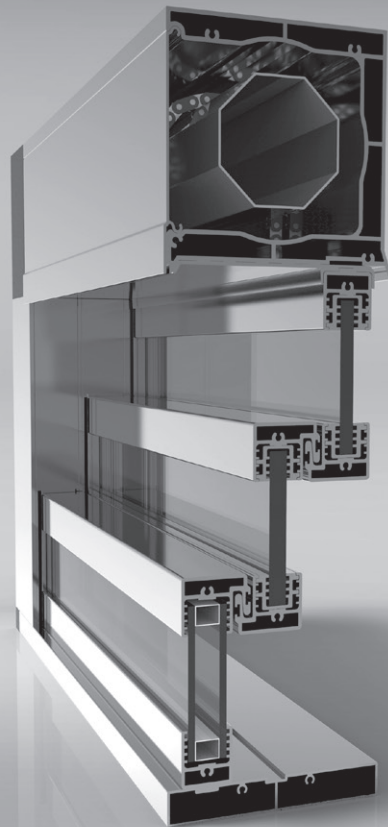


Front View

14	KP4-KTB-801	17	KP4-KT-400
15	KP4-K3-403		
16	KP4-SBK-200		

VIRGO

Double Glazed Guillotine System



VIRGO Technical Properties



Double Glazed Guillotine System

VIRGO

Profile Technical Properties

Bottom Profile	127 x 20 mm
Wall Thickness of Bottom Profile	1,5 mm
Top Profile	127 x 123 mm
Wall Thickness of Top Profile	2,3 mm
Bottom Panel Profile	29 x 34 mm
Wall Thickness of Bottom Panel Profile	2 mm
Side Panel Profile	29 x 33 mm
Wall Thickness of Side Panel Profile	3 mm

Technical Properties Roof

System Height	3000 mm
Panel Width	4000 mm
Glass Thickness	22 mm Double Glass
Glass Type	Tempered / Laminated
Profile Colors (In Stock)	Press
Panel Cap Colors (In Stock)	Grey, Black

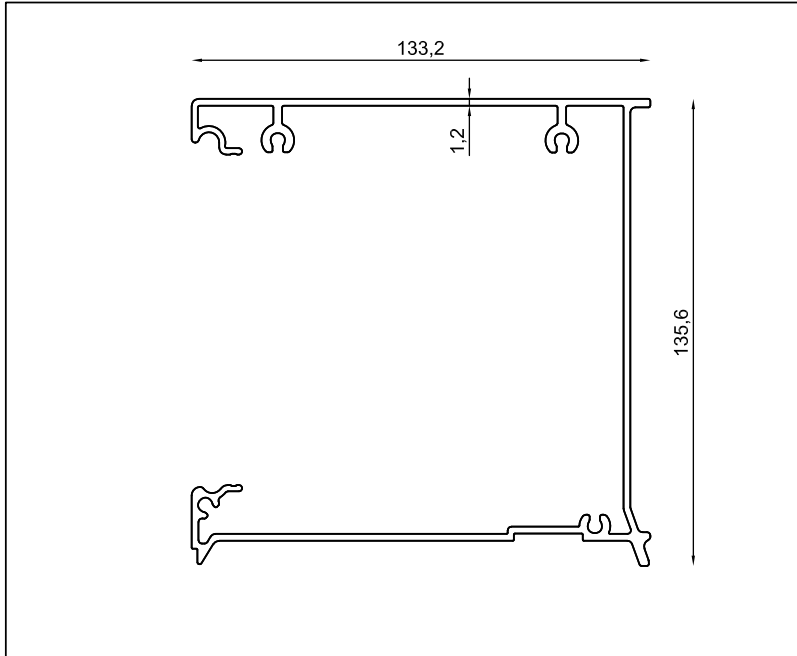
VIRGO Profiles

Scale: 1/2



Guillotine System

VIRGO



Profile Name:

Top Profile

Code Nr.:

KPG-GP3-1

Weight kg/m:

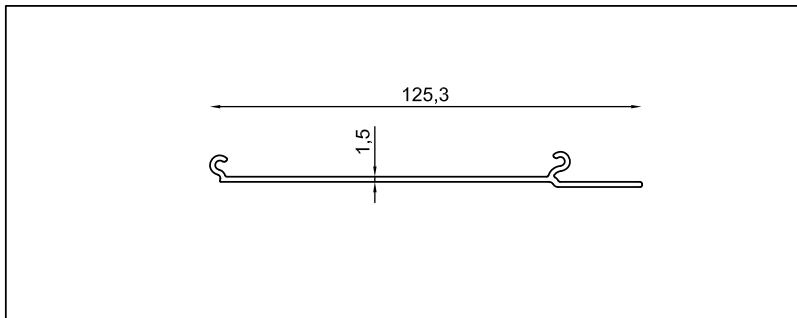
22,82 kg - 7,00 m - (3,26 kg/m)

19,56 kg - 6,00 m - (3,26 kg/m)

16,30 kg - 5,00 m - (3,26 kg/m)

13,04 kg - 4,00 m - (3,26 kg/m)

9,78 kg - 3,00 m - (3,26 kg/m)



Profile Name:

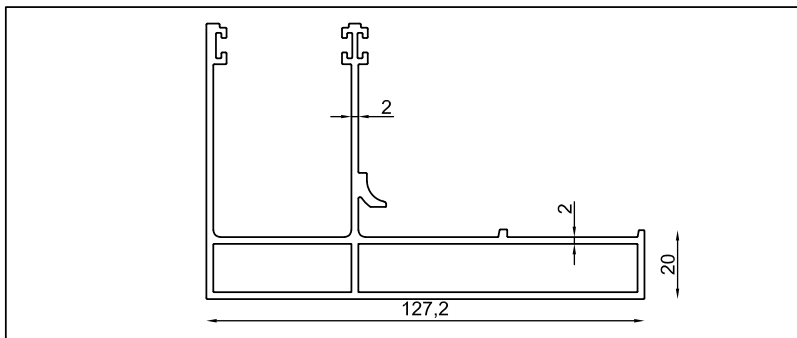
Cover Profile

Code Nr.:

KPG-KAP3-2

Weight kg/m:

2,40 kg - 4,00 m - (0,60 kg/m)



Profile Name:

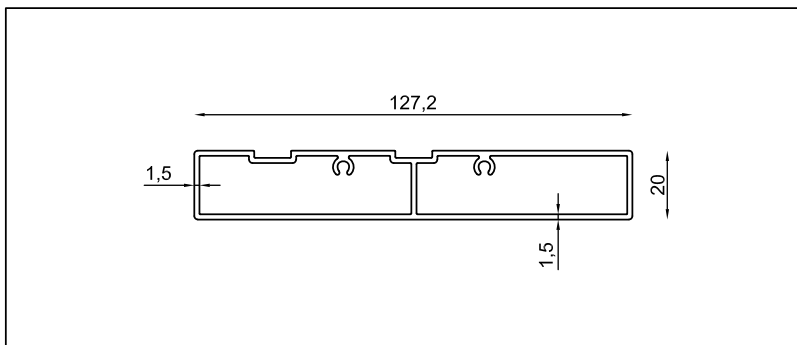
Side Frame Profile

Code Nr.:

KPG-YK-8

Weight kg/m:

15,00 kg - 6,00 m - (2,50 kg/m)



Profile Name:

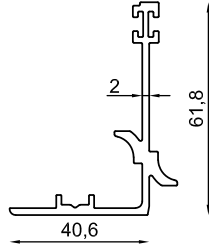
Bottom Profile

Code Nr.:

KPG-AK-3

Weight kg/m:

5,30 kg - 4,00 m - (1,33 kg/m)



Profile Name:

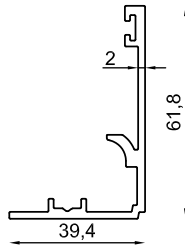
Side Frame Profil

Code Nr.:

KPG-YK1-9

Weight kg/m:

5,22 kg - 6,00 m - (0,87 kg/m)



Profile Name:

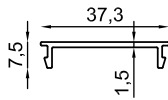
Side Frame Profil

Code Nr.:

KPG-YK2-10

Weight kg/m: / Ağırlık

5,34 kg - 6,00 m - (0,89 kg/m)



Profile Name:

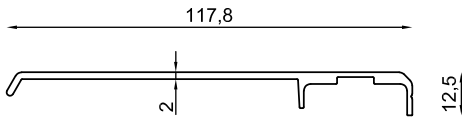
Side Frame Cap Profil

Code Nr.:

KPG-YKK-11

Weight kg/m:

0,60 kg - 3,00 m - (0,20 kg/m)



Profile Name:

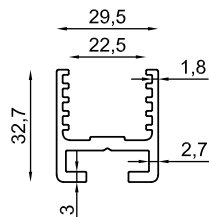
Railing Profile

Code Nr.: / Kod No.:

KPG-KÜP-4

Weight kg/m:

3,20 kg - 4,00 m - (0,8 kg/m)



Profile Name:

Side Panel Profile

Code Nr.:

KPG-YB-5

Weight kg/m:

4,60 kg - 6,00 m - (0,77 kg/m)

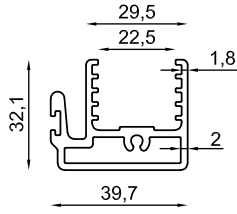
VIRGO Profiles

Scale: 1/2



Guillotine System

VIRGO



Profile Name:

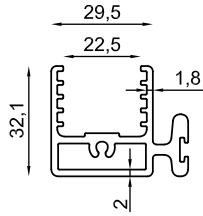
Pull Profil

Code Nr.:

KPG-ÇB-7

Weight kg/m:

6,00 kg - 6,00 m - (1,00 kg/m)



Profile Name:

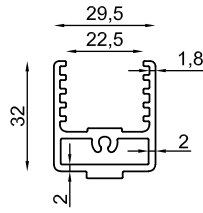
Up Pull Profil

Code Nr.:

KPG-CB-13

Weight kg/m:

6,00 kg - 6,00 m - (1,00 kg/m)



Profile Name: / Profil İsim:

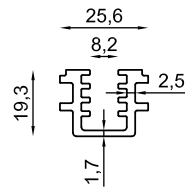
Bottom Panel Profil

Code Nr.:

KPG-AB-6

Weight kg/m:

4,80 kg - 7,00 m - (0,80 kg/m)



Profile Name:

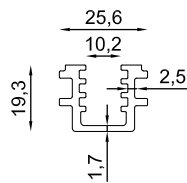
8mm Pane Profile

Code Nr.:

KPG-CB8-12

Weight kg/m:

3,00 kg - 6,00 m - (0,50 kg/m)



Profile Name: / Profil İsim:

10mm Pane Profile

Code Nr.: / Kod No.:

KPG-CB10-12

Weight kg/m: / Ağırlık

3,00 kg - 7,00 m - (0,50 kg/m)

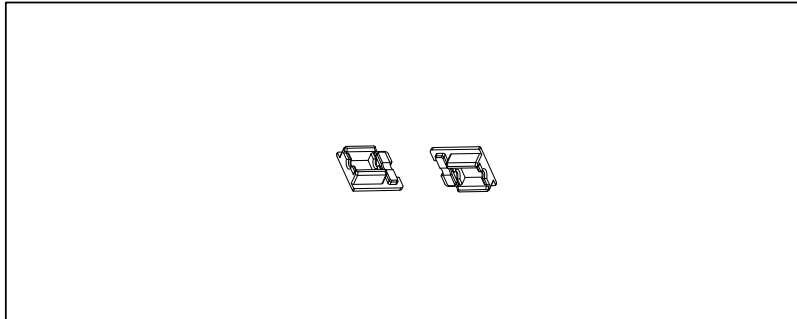
VIRGO Accessory

Scale: 1/2

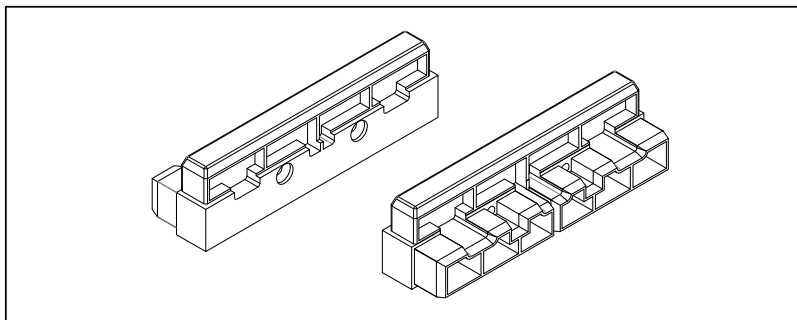


Guillotine System

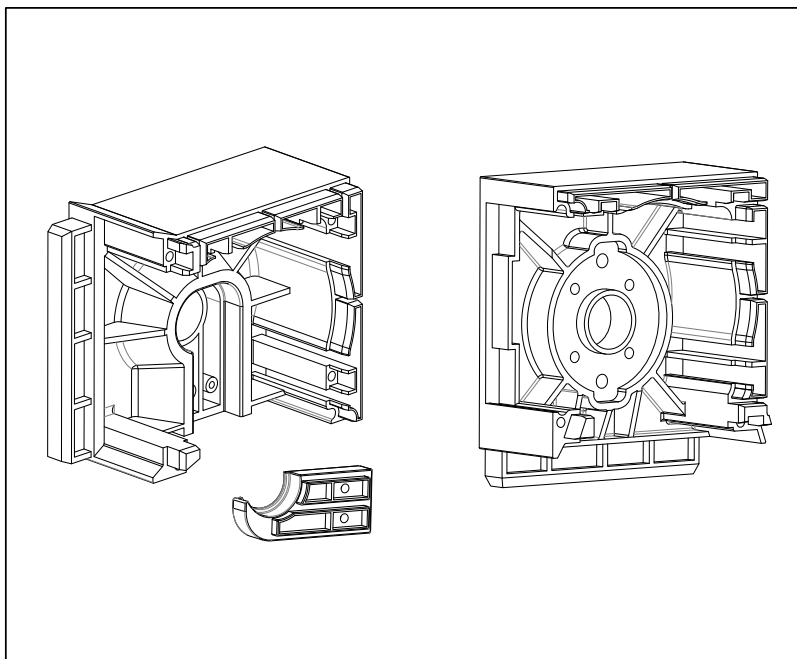
VIRGO



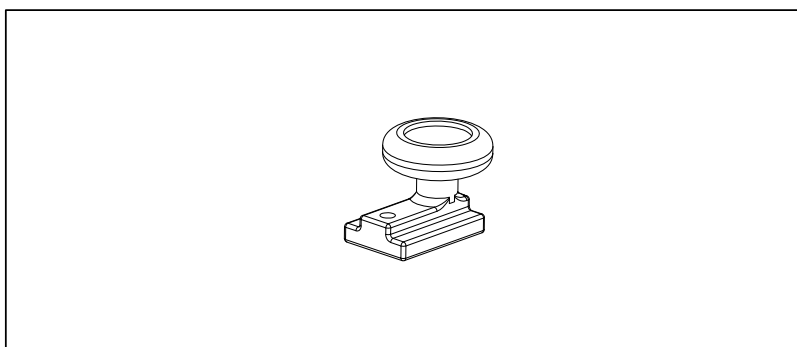
Profile Name:
Panel Profile Cap
Code Nr.:
KPG-BK-1
Material:
Polyamide



Profile Name:
Bottom Link
Code Nr.: / Kod No.:
KPG-ABA-2
Material:
Polyamide



Profile Name:
Motor Bock Cap Set
Code Nr.:
KPG-MBS-3
Material:
Polyamide



Profile Name:
Guide Wheel
Code Nr.:
KPG-TT-4
Material:
Polyamide Steel 608RLM

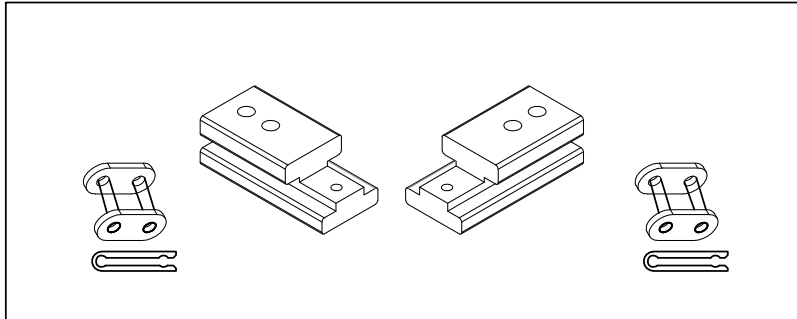
VIRGO Accessory

Scale: 1/2

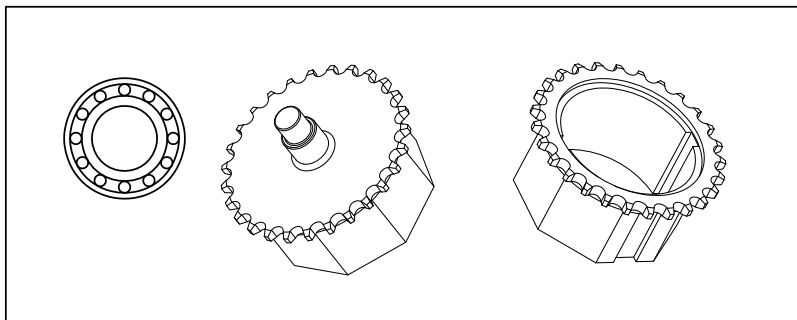


Guillotine System

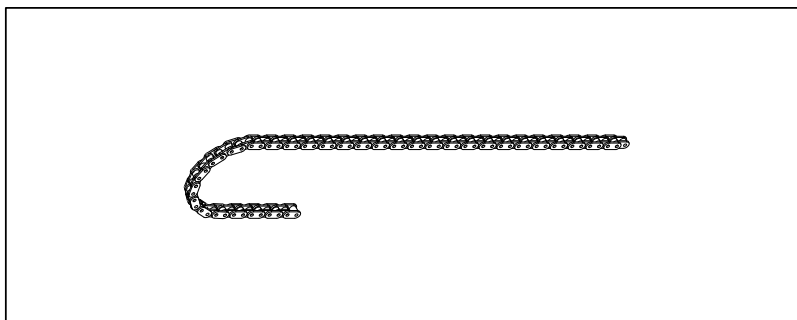
VIRGO



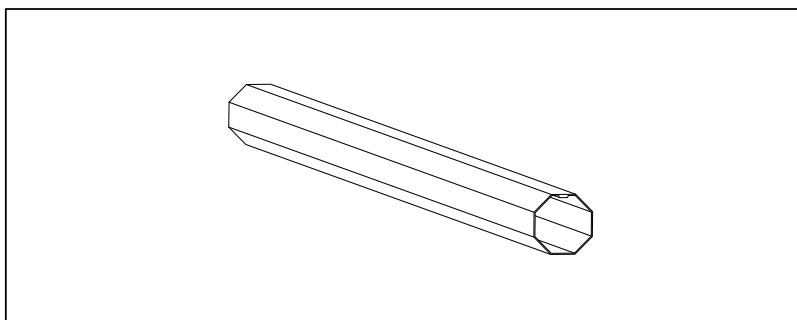
Profile Name:
Chain Connect
Code Nr.:
KPG-ZBA-5 /KPG-ZAK-05
Material:
Aluminium



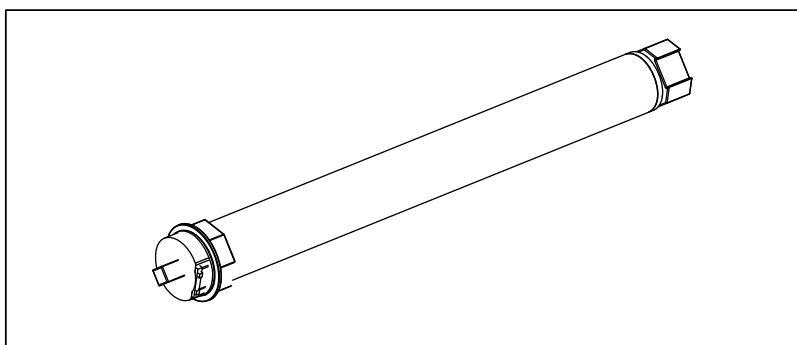
Profile Name:
Chain Gear Set
Code Nr.:
KPG-ZDS-6 /6021-ZZ
Material:
Steel



Profile Name:
Chain 3,8
Code Nr.:
KPG-Z-7
Material:
Steel



Profile Name:
Engine Cylinder Drum
Code Nr.:
KPG-MT-8
Material:
Steel



Profile Name:
Tub Motor Set
Code Nr.:
KPG-TMS-9
Company
BECKER 120 N/m inc. Remote Control

Scale: 1/2

Guillotine System

VIRGO

Name:

Side Jump Brush Film

Code Nr.:

KP-KFİT600-1001

Material:

PVC



Name:

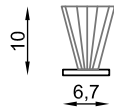
Side Jump Brush Film

Code Nr.:

KPO-KFİT1000-1002

Material:

PVC



Name:

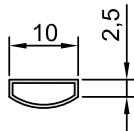
Top Profile Gasket

Code Nr.:

KPG-ÜPC-11

Material:

Rubber



Name:

Code Nr.:

Material:

Name:

Code Nr.:

Material:

VIRGO Section

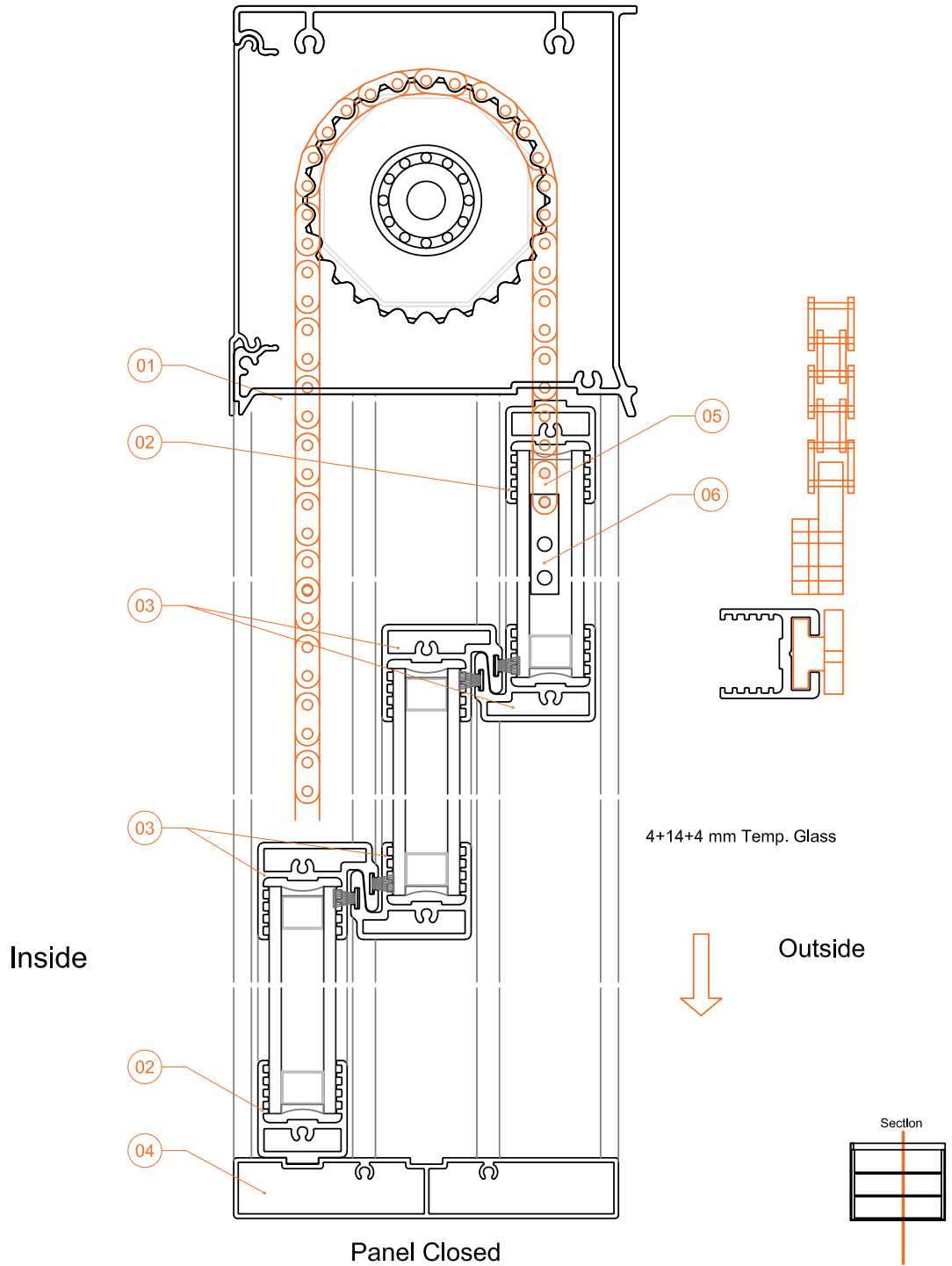
Scale: 1/2



Guillotine System

VIRGO

3 Elements Gathering Down System



01	KPG-KÜP-4	04	KPG-AK-3
02	KPG-AB-6	05	KPG-ZAK-05
03	KPG-ÇB-7	06	KPG-ZBA-5

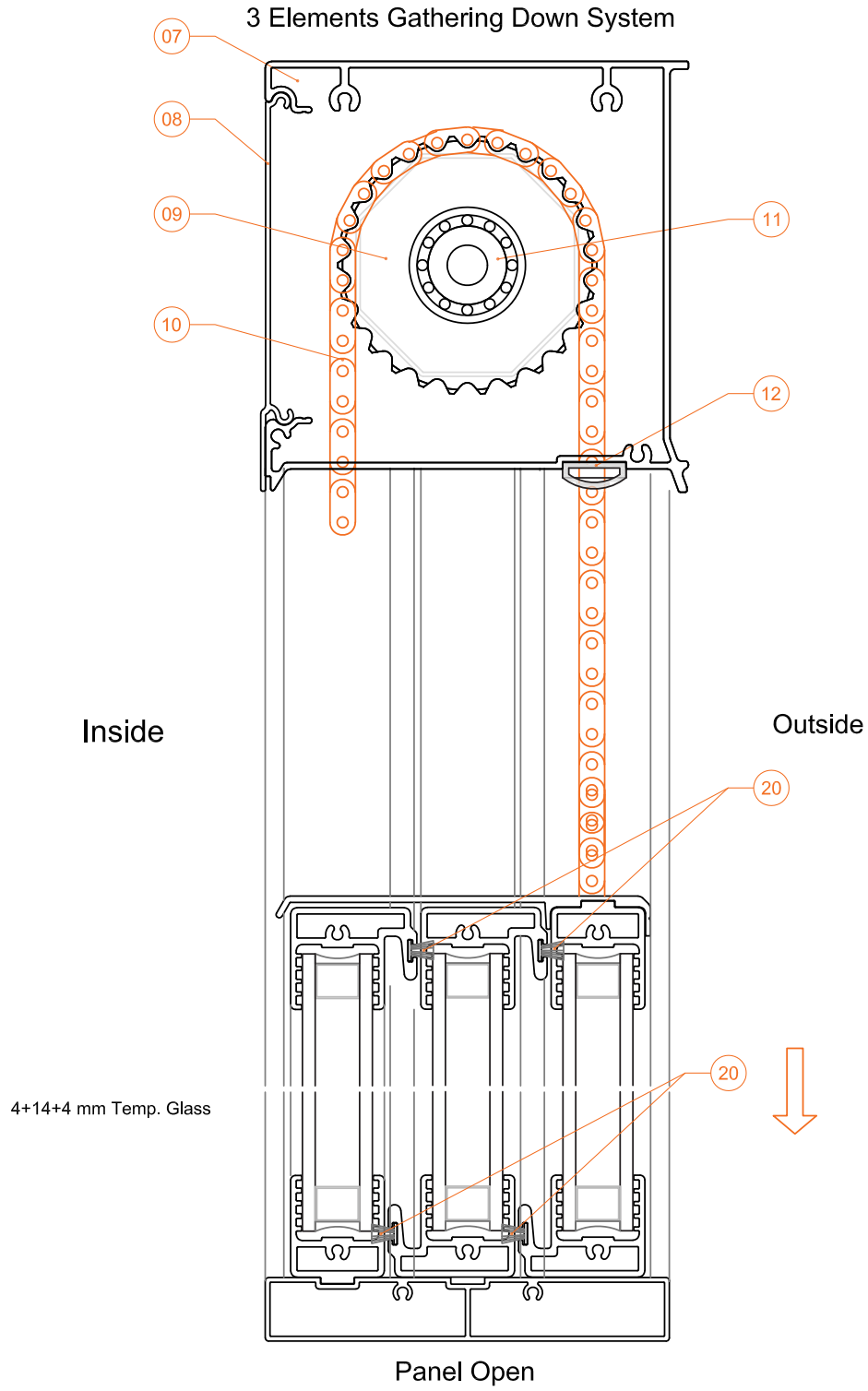
VIRGO Section



Scale: 1/2

Guillotine System

VIRGO



07	KPG-GP3-1	10	KPG-Z-7	20	KPG-KFIT600-1001
08	KPG-KAP3-2	11	KPG-ZDS-6 /6021-ZZ		
09	KPG-ZDS-6	12	KPG-ÜPC-11		

VIRGO Top Section

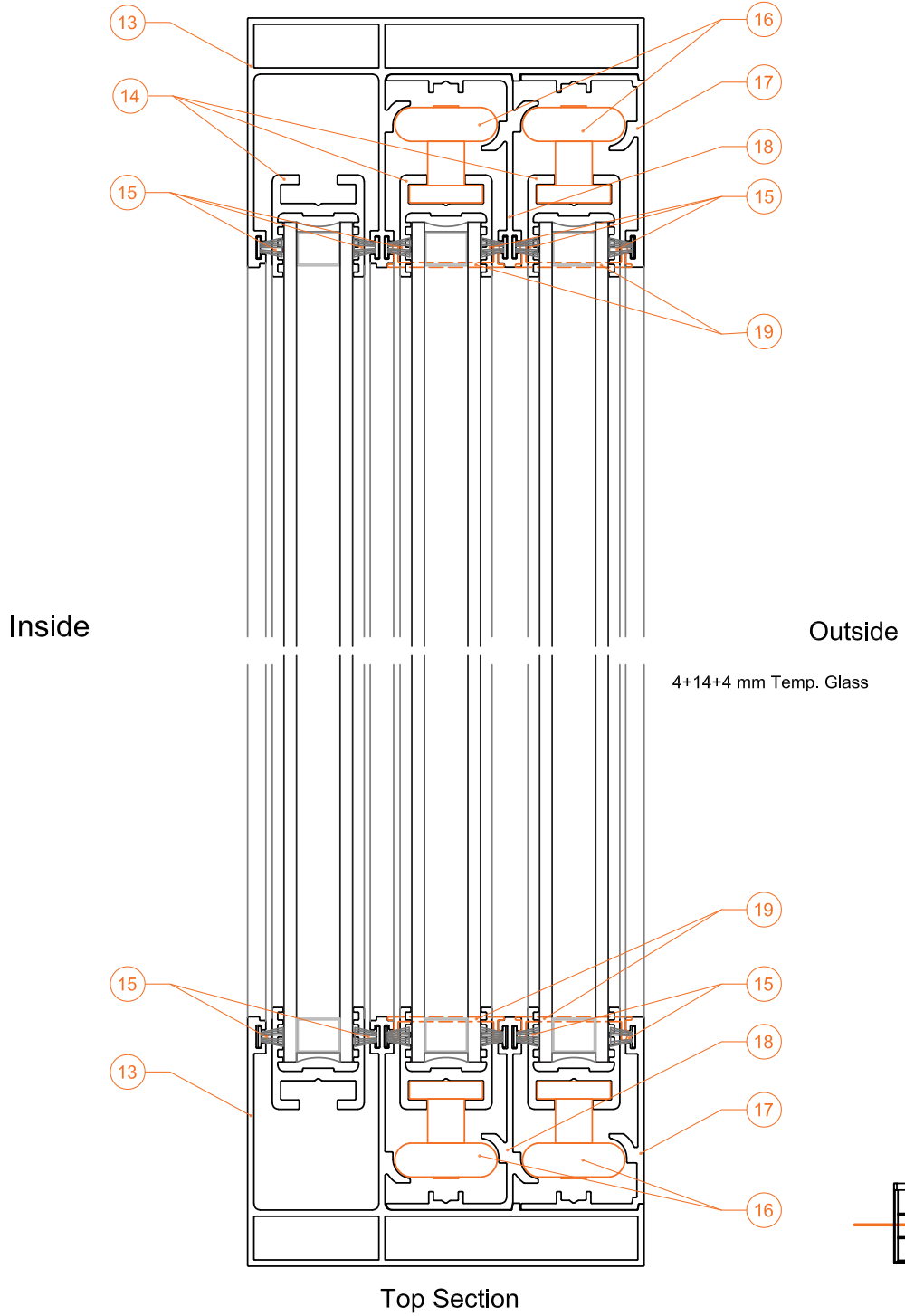
Scale: 1/2



Guillotine System

VIRGO

3 Elements Gathering Down System



13	KPG-YK-8	16	KPG-TT-4	19	KPG-YKK-11
14	KPG-YB-5	17	KPG-YK2-10		
15	KPO-KFIT1000-1002	18	KPG-YK1-9		

VIRGO Section

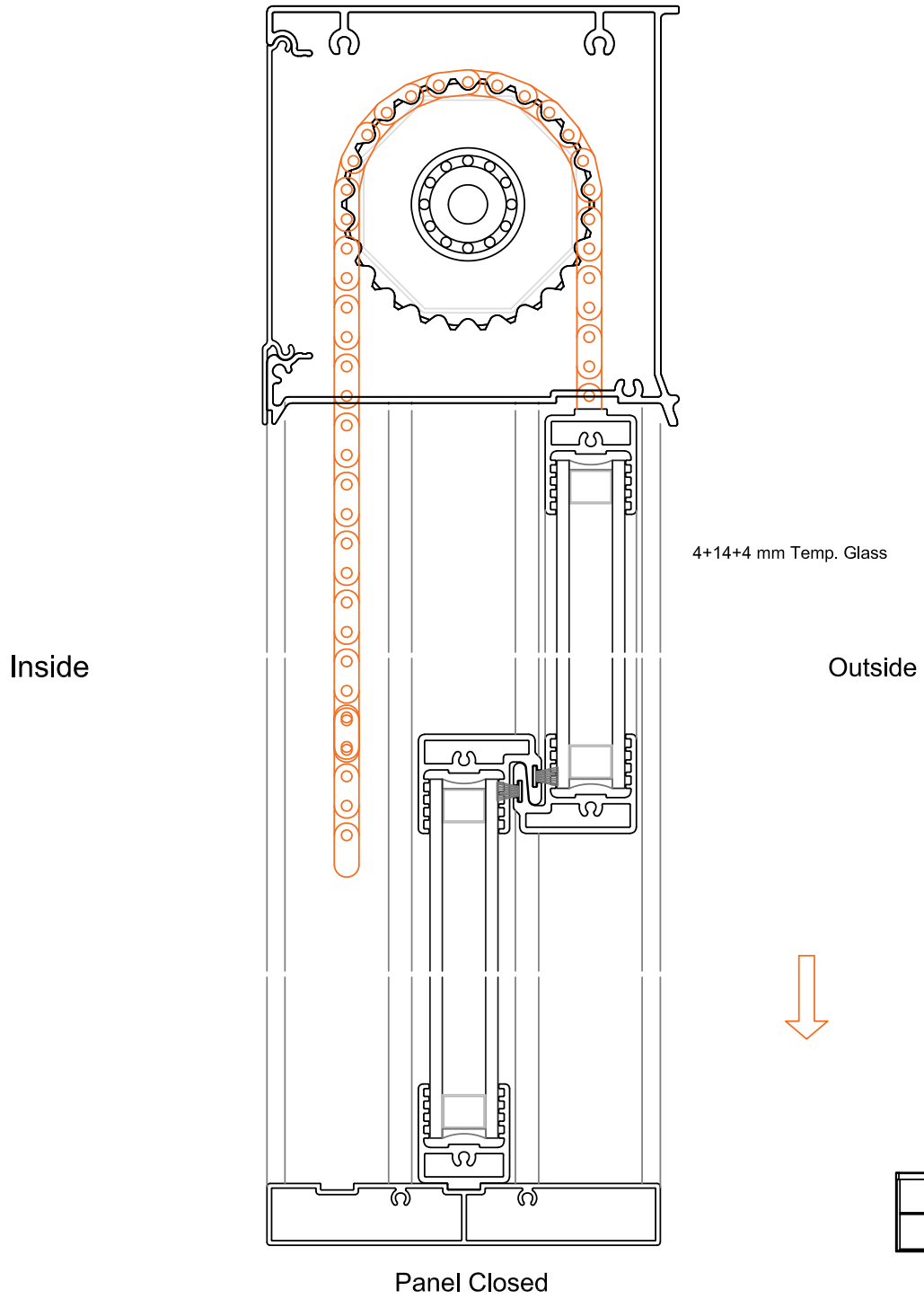
Scale: 1/2



Guillotine System

VIRGO

2 Elements at Bottom Stacking System



VIRGO Top Section

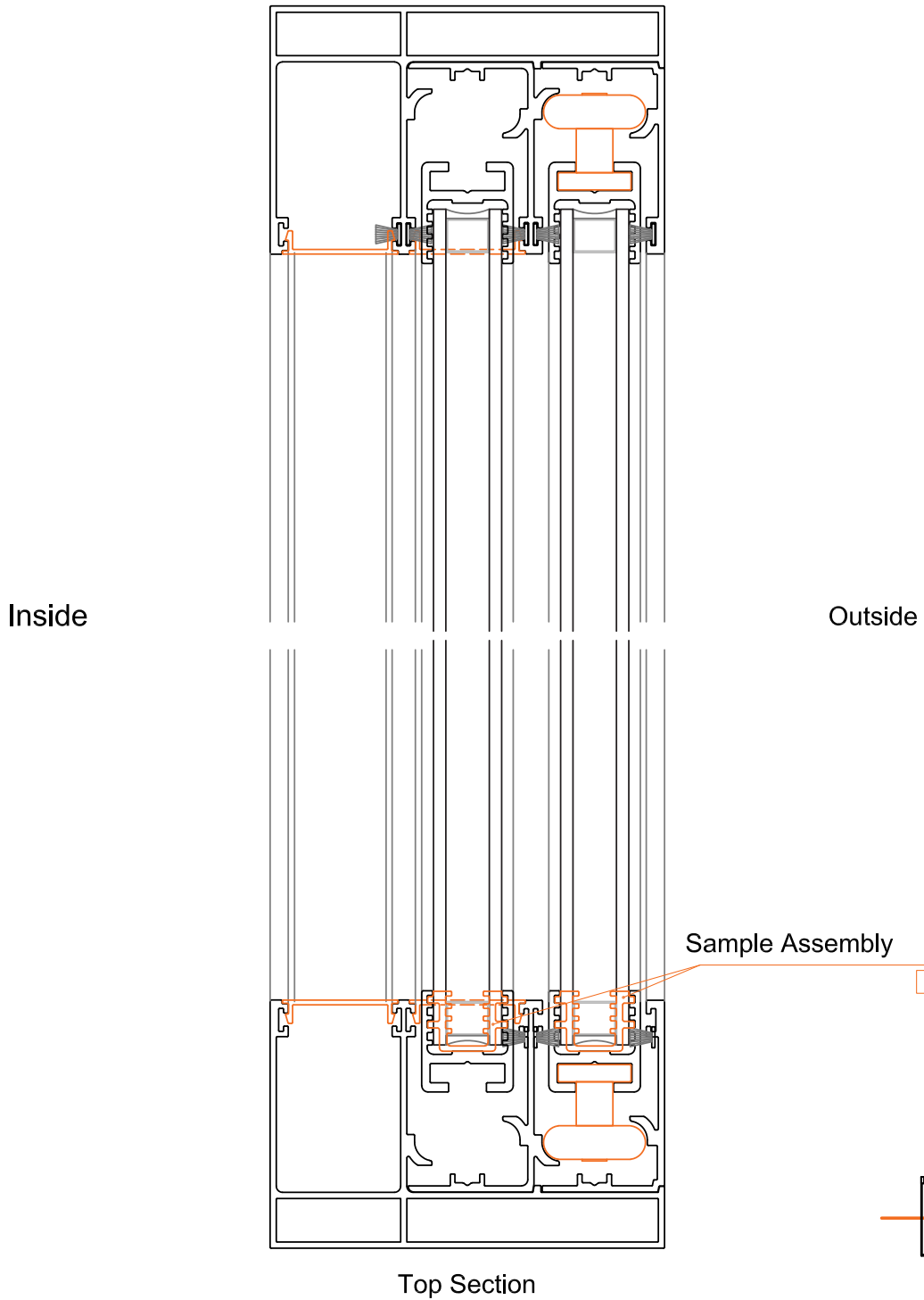
Scale: 1/2



Guillotine System

VIRGO

2 Elements at Bottom Stacking System



22	KPG-CB8-12
23	KPG-CB10-12

VIRGO Section

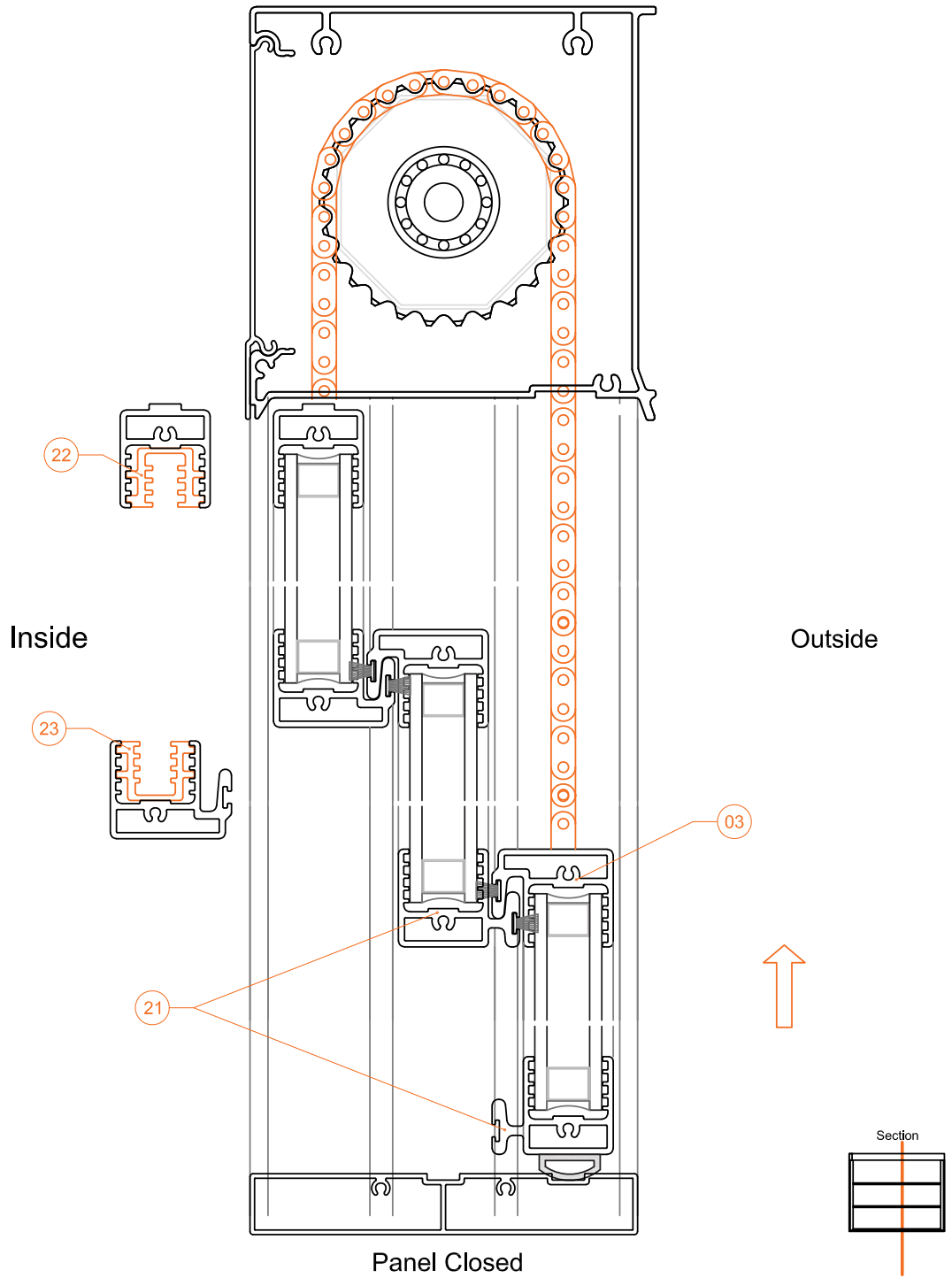
Scale: 1/2



Guillotine System

VIRGO

3 Elements at Top Stacking System



03	KPG-ÇB-7	23	KPG-CB10-12
21	KPG-CB-13		
22	KPG-CB8-12		

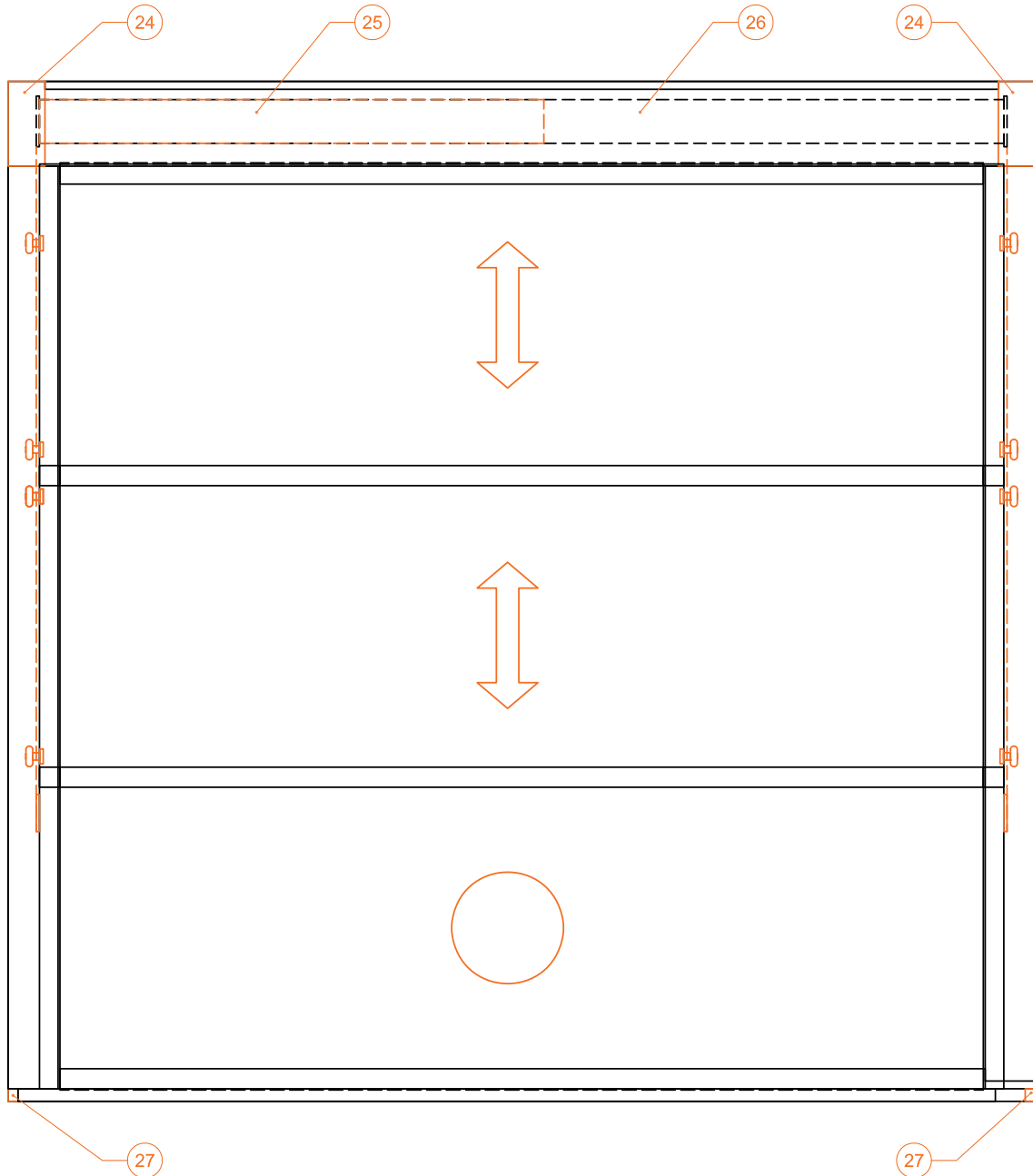
VIRGO Front View

Scale: 1/2



Guillotine System

VIRGO



24	KPG-MBS-3	27	KPG-ABA-2
25	KPG-TMS-9		
26	KPG-MT-8		



VIRGO

VEGA

Double Glazed Cleanable Guillotine System



VEGA Technical Properties



Double Glazed Cleanable Guillotine System

VEGA

Profile Technical Properties

Bottom Profile	127 x 20 mm
Wall Thickness of Bottom Profile	1,5 mm
Top Profile	127 x 123 mm
Wall Thickness of Top Profile	2,3 mm
Bottom Panel Profile	29 x 34 mm
Wall Thickness of Bottom Panel Profile	2 mm
Side Panel Profile	29 x 33 mm
Wall Thickness of Side Panel Profile	3 mm

Cleanable System

Technical Properties Roof

System Height	3000 mm
Panel Width	4000 mm
Glass Thickness	22 mm Double Glass
Glass Type	Tempered / Laminated
Profile Colors (In Stock)	Press
Panel Cap Colors (In Stock)	Grey, Black

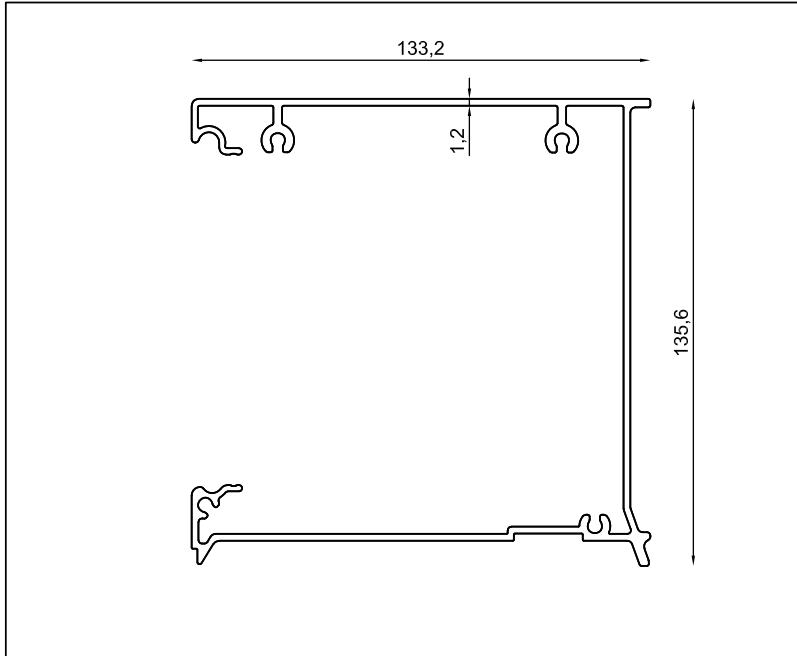
VEGA Profiles

Scale: 1/2



Vertical Sliding System

VEGA



Profile Name:

Top Profile

Code Nr.:

KPSG-ÜP-01

Weight kg/m:

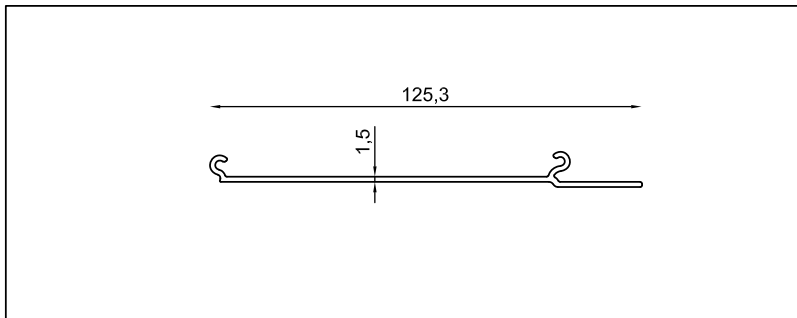
22,82 kg - 7,00 m - (3,26 kg/m)

19,56 kg - 6,00 m - (3,26 kg/m)

16,30 kg - 5,00 m - (3,26 kg/m)

13,04 kg - 4,00 m - (3,26 kg/m)

9,78 kg - 3,00 m - (3,26 kg/m)



Profile Name:

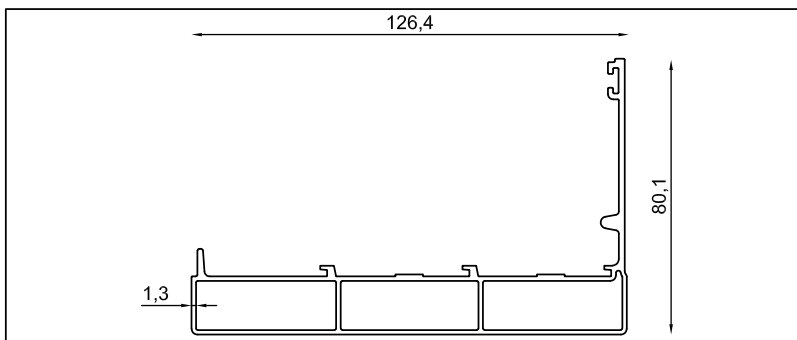
Cover Profile

Code Nr.:

KPG-KAP3-2

Weight kg/m:

2,40 kg - 4,00 m - (0,60 kg/m)



Profile Name:

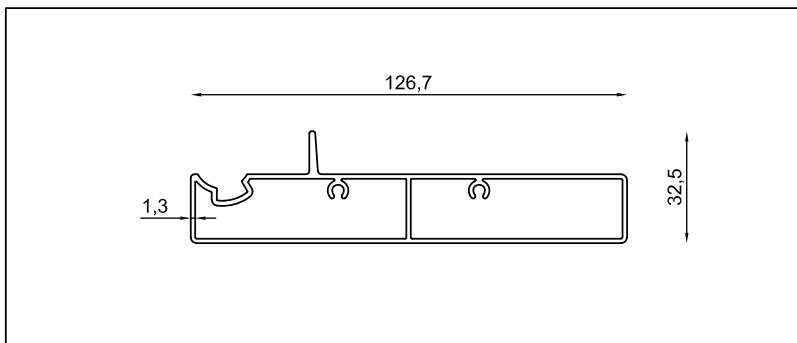
Side Body Strut Frame Profile

Code Nr.: / Kod No.:

KPSG-YGDK-01

Weight kg/m:

9,67 kg - 6,00 m - (1,61 kg/m)



Profile Name:

Bottom Profile

Code Nr.: / Kod No.:

KPSG-MAKP-01

Weight kg/m:

5,16 kg - 4,00 m - (1,29 kg/m)

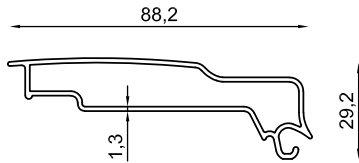
VEGA Profiles

Scale: 1/2



Vertical Sliding System

VEGA



Profile Name:

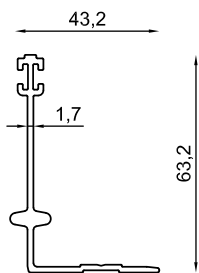
Movable Handrail Cover

Code Nr.:

KPSG-HKP-01

Weight kg/m:

4,56 kg - 6,00 m - (0,76 kg/m)



Profile Name:

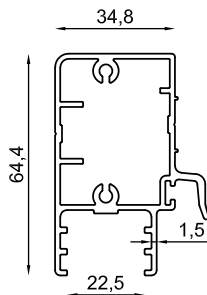
Side Bearings Profile

Code Nr.:

KPSG-YYP-01

Weight kg/m:

3,84 kg - 6,00 m - (0,64 kg/m)



Profile Name: / Profil İsim:

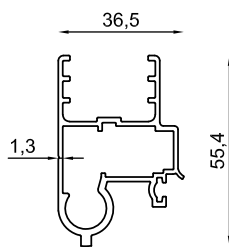
Fixed Opening Panel Plinth Profile

Code Nr.:

KPSG-SAPBP-01

Weight kg/m:

3,60 kg - 3,00 m - (1,20 kg/m)



Profile Name:

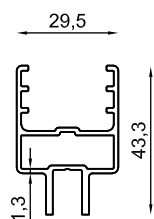
Bottom Hinge Plinth

Code Nr.:

KPSG-AMB-01

Weight kg/m:

4,80 kg - 6,00 m - (0,80 kg/m)



Profile Name:

Panel Side Plinth Chain Link Profile

Code Nr.:

KPSG-PBZBP-01

Weight kg/m:

3,60 kg - 6,00 m - (0,60 kg/m)

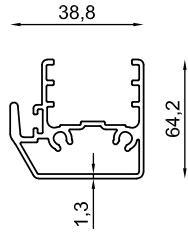
VEGA Profiles

Scale: 1/2



Vertical Sliding System

VEGA



Profile Name:

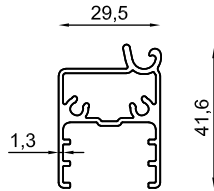
New Pull Base

Code Nr.:

KPSG-YÇB-01

Weight kg/m:

4,32 kg - 6,00 m - (0,72 kg/m)



Profile Name

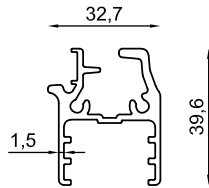
Top Panel Handrail Plinth Profile

Code Nr.:

KPSG-ÜPKB-01

Weight kg/m:

4,02 kg - 6,00 m - (0,67 kg/m)



Profile Name:

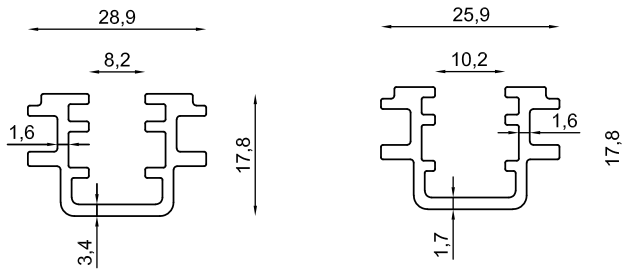
Medium Plinth

Code Nr.:

KPG-ÇB-7

Weight kg/m:

5,34 kg - 6,00 m - (0,89 kg/m)



Profile Name:

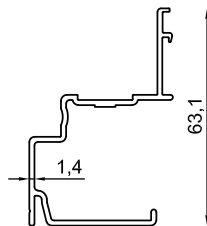
8 - 10 mm Plinth Profile

Code Nr.:

KPG-CB8-12

Weight kg/m:

2,22 kg - 6,00 m - (0,37 kg/m)



Profile Name:

New Pull Base / Yeni Çekme Baza

Code Nr.:

KPSG-YÇB-01

Weight kg/m:

4,32 kg - 6,00 m - (0,72 kg/m)

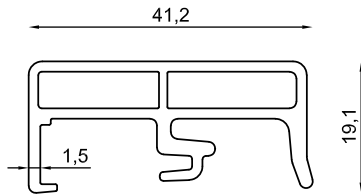
VEGA Profiles

Scale: 1/2



Vertical Sliding System

VEGA



Profile Name:

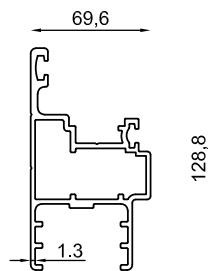
Orya Panel Pull Sled

Code Nr.:

KPSG-OPÇÇ-01

Weight kg/m:

4,32 kg - 6,00 m - (0,72 kg/m)



Profile Name:

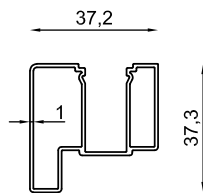
Fixed Opening Panel Side Plinth

Code Nr.:

KPSG-SAPYB-01

Weight kg/m:

5,10 kg - 6,00 m - (0,85 kg/m)



Profile Name:

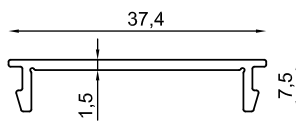
Photocell Bearing

Code Nr.:

KPSG-FY-01

Weight kg/m:

3,00 kg - 6,00 m - (0,50 kg/m)



Profile Name:

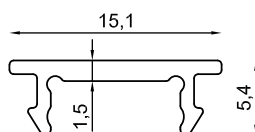
Side Case Skid Cover

Code Nr.:

KPG-YKK-11

Weight kg/m:

1,20 kg - 6,00 m - (0,20 kg/m)



Profile Name:

Photocell Bearing Cover

Code Nr.:

KPSG-FYK-02

Weight kg/m:

4,92 kg - 6,00 m - (0,82 kg/m)

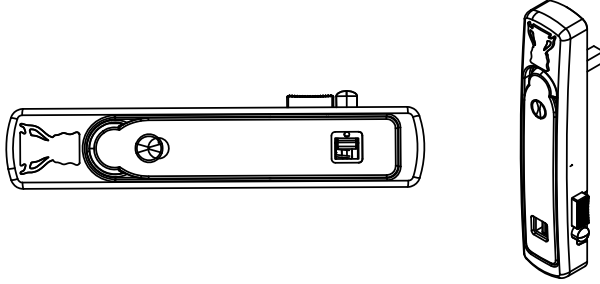
VEGA Accessory

Scale: 1/2



Vertical Sliding System

VEGA



Profile Name:

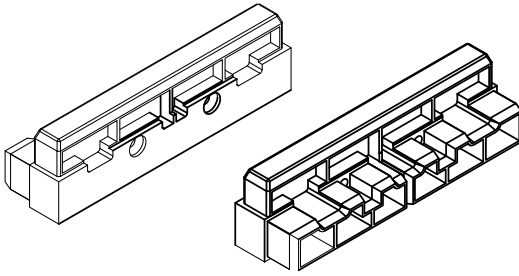
Espagnolette Lock Lever / İspanyolet Kilit Çevirme Kolu

Code Nr.:

KPSG-HİSPK-13

Material

Polyamid / Zamak



Profile Name:

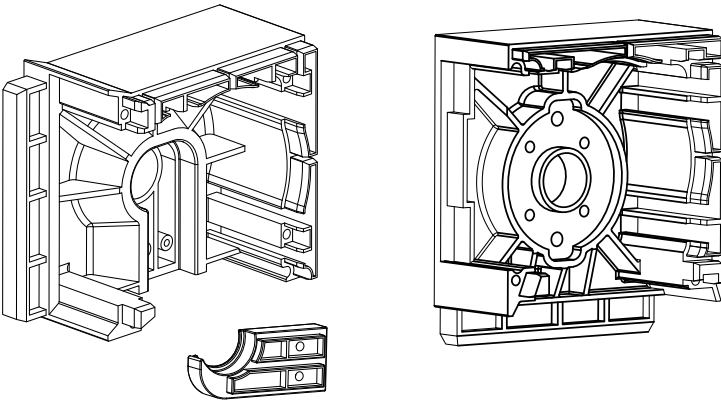
Bottom Bracket

Code Nr.:

KPG-ABA-2

Material

Polyamide / Polyamid



Profile Name:

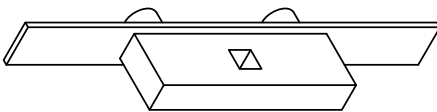
Motor Bock Cap Set

Code Nr.:

KPG-MBS-3

Material:

Polyamide



Profile Name:

Single Espagnolette 28 cm / Tek Açılır İspanyolet 28 cm

Code Nr.:

KPO-KKT-21

Material / Malzeme:

Metal / Metal

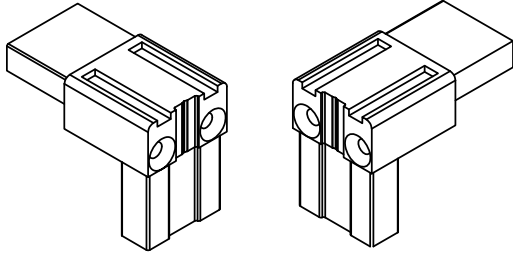
VEGA Accessory

Scale: 1/2



Vertical Sliding System

VEGA



Profile Name:

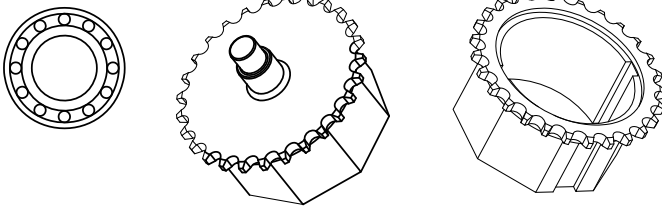
Panel Plinth Cover

Code Nr.:

KPSG-PBK-01

Material:

PVC



Profile Name:

Chain Gear Set

Code Nr.:

KPG-ZDS-6 /6021-ZZ

Material:

Steel



Profile Name:

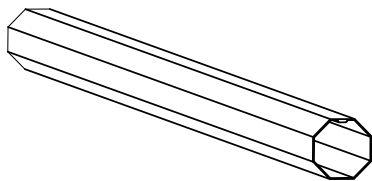
Chain 3,8

Code Nr.:

KPG-Z-7

Material

Steel



Profile Name:

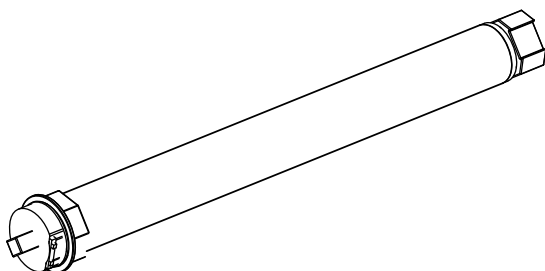
Motor Barrel

Code Nr.:

KPG-MT-8

Material

Steel



Profile Name:

Tub Motor Set

Code Nr.:

KPG-TMS-9

Company

BECKER 120 N/m inc. Remote Control

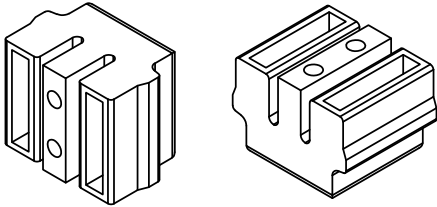
VEGA Accessory

Scale: 1/2



Vertical Sliding System

VEGA



Profile Name:

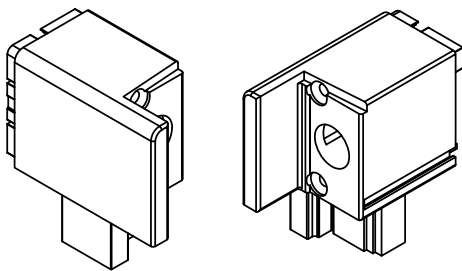
Panel Slide Bearings

Code Nr.:

KPSG-PKY-01

Material:

PVC



Profile Name:

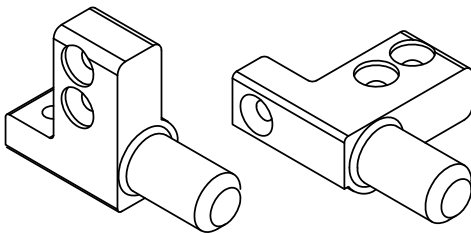
Bottom Panel Cover

Code Nr.:

KPSG-APK-01

Material:

PVC



Profile Name:

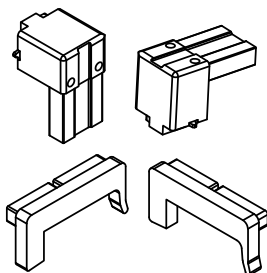
Bottom Panel Hinge

Code Nr.:

KPSG-APM-01

Material

PVC



Profile Name:

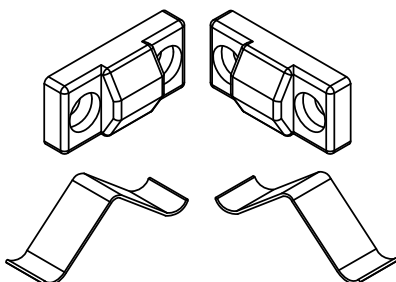
Middle Panel Cover

Code Nr.:

KPSG-OPK-01

Material

PVC



Profile Name:

Middle Shoe Pusher and Spring

Code Nr.:

KPSG-OPİ-01

Material / Malzeme:

PVC - Steel

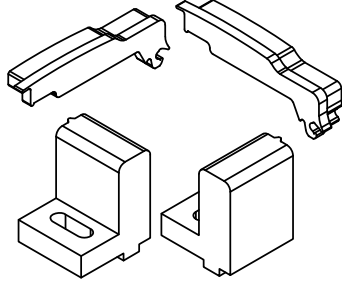
VEGA Accessory

Scale: 1/2



Vertical Sliding System

VEGA



Profile Name:

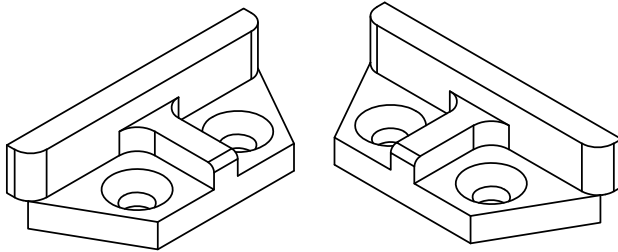
Handrail Cover and Dust Cover

Code Nr.:

KPSG-KKT-01

Material:

PVC



Profile Name:

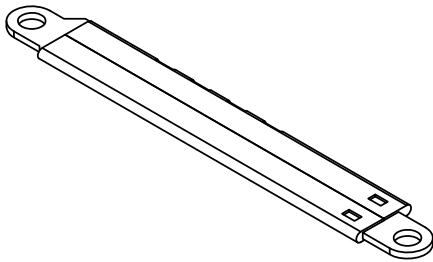
Espagnolette Key Lock

Code Nr.:

KPO-İSPKK-08

Material:

Zamac



Profile Name:

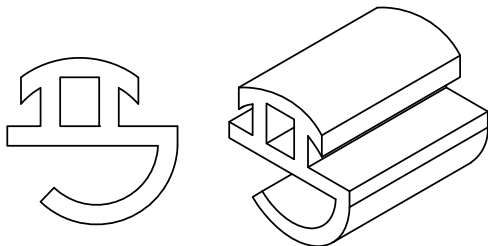
Varista Arm

Code Nr.:

KPSG-VT-01

Material:

Steel



Profile Name:

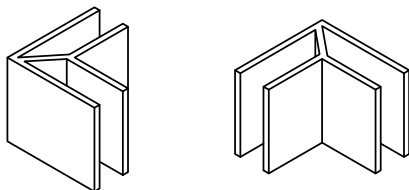
Espagnolette Lock Gasket

Code Nr.:

KPSG-İSPKÇC-01

Material:

Rubber



Profile Name:

Sergeant Miter

Code Nr.:

KPSG-ÇG-05

Material:

Aluminium

Vertical Sliding System

VEGA



Name:

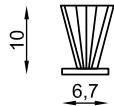
Side Jump Brush Film

Code Nr.:

KP-KFİT600-1001

Material:

PVC



Name:

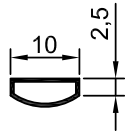
Side Jump Brush Film

Code Nr.:

KPO-KFİT1000-1002

Material:

PVC



Name:

Top Profile Gasket

Code Nr.:

KPG-ÜPC-11

Material:

Rubber

Name:

Code Nr.:

Material:

Name:

Code Nr.:

Material:

VEGA Section

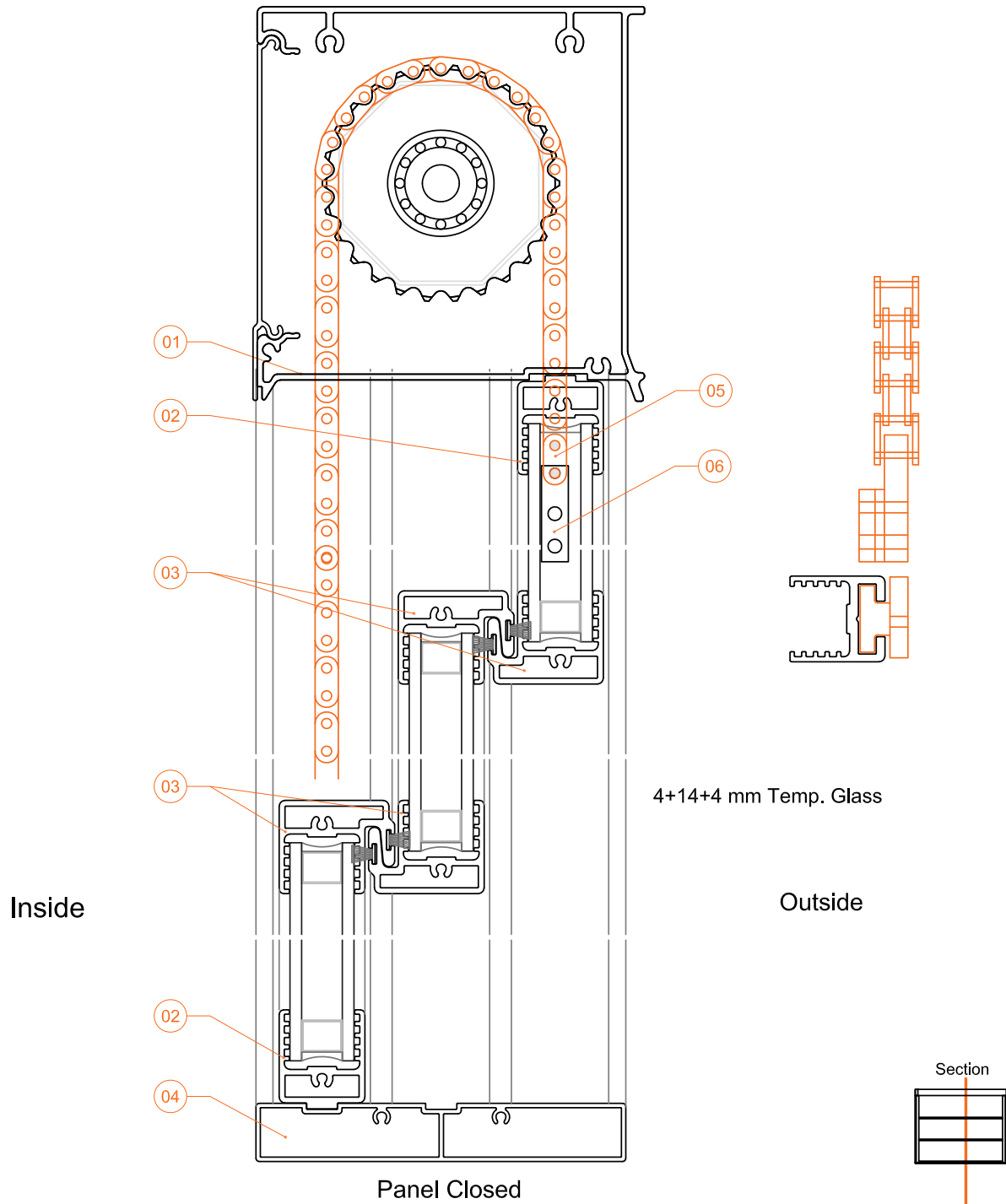
Scale: 1/2



Vertical Sliding System

VEGA

3 Elements Gathering Down System



4+14+4 mm Temp. Glass

Inside

Outside

Panel Closed

01	KPG-KÜP-4	04	KPG-AK-3	07	KP4-AHF-022	10	KP4-AHF-023	13	KPO-BC-21
02	KPG-AB-6	05	KPG-ZAK-05	08	KP4-MT-105	11	KP4-CDTM-108		
03	KPG-ÇB-7	06	KPG-ZBA-5	09	KP4-DBK-501	12	KP4-AHF-022		

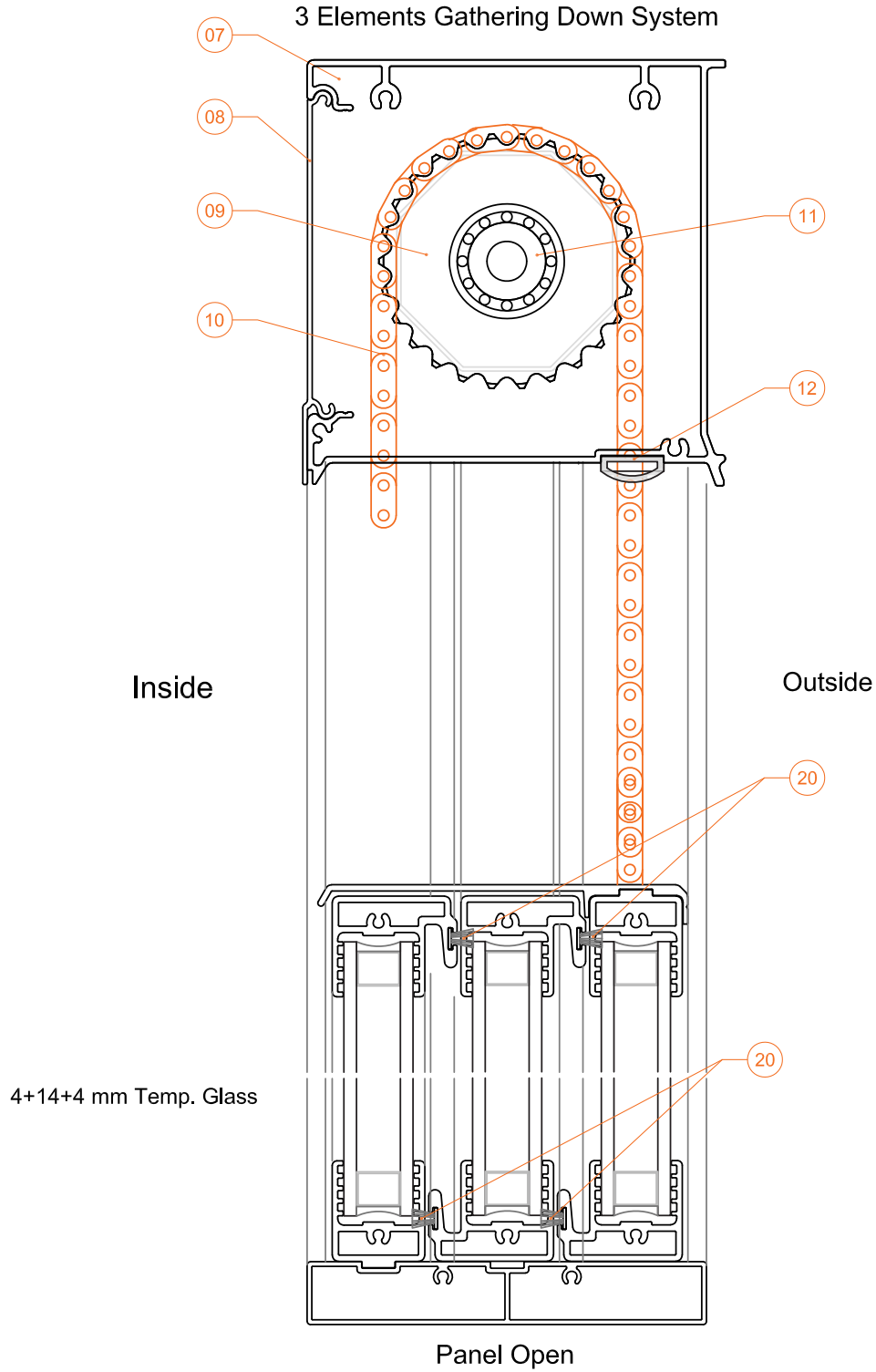
VEGA Section

Scale: 1/2



Vertical Sliding System

VEGA



07	KPG-GP3-1	10	KPG-Z-7	20	KPG-KFIT600-1001
08	KPG-KAP3-2	11	KPG-ZDS-6 /6021-ZZ		
09	KPG-ZDS-6	12	KPG-ÜPC-11		

VEGA Top Section

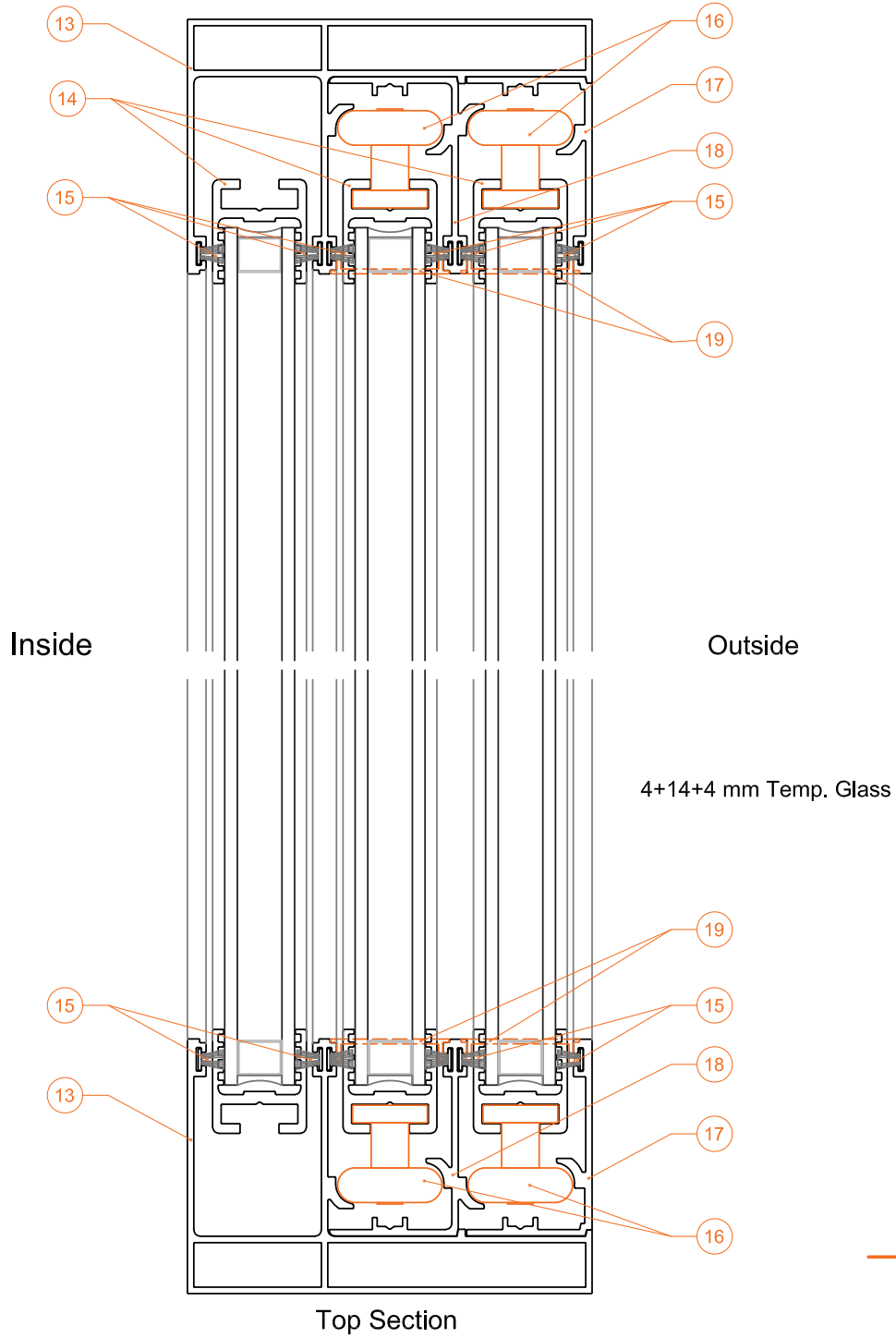


Scale: 1/2

Vertical Sliding System

VEGA

3 Elements Gathering Down System



13	KPG-YK-8	16	KPG-TT-4	19	KPG-YKK-11
14	KPG-YB-5	17	KPG-YK2-10		
15	KPO-KFIT1000-1002	18	KPG-YK1-9		

VEGA Section

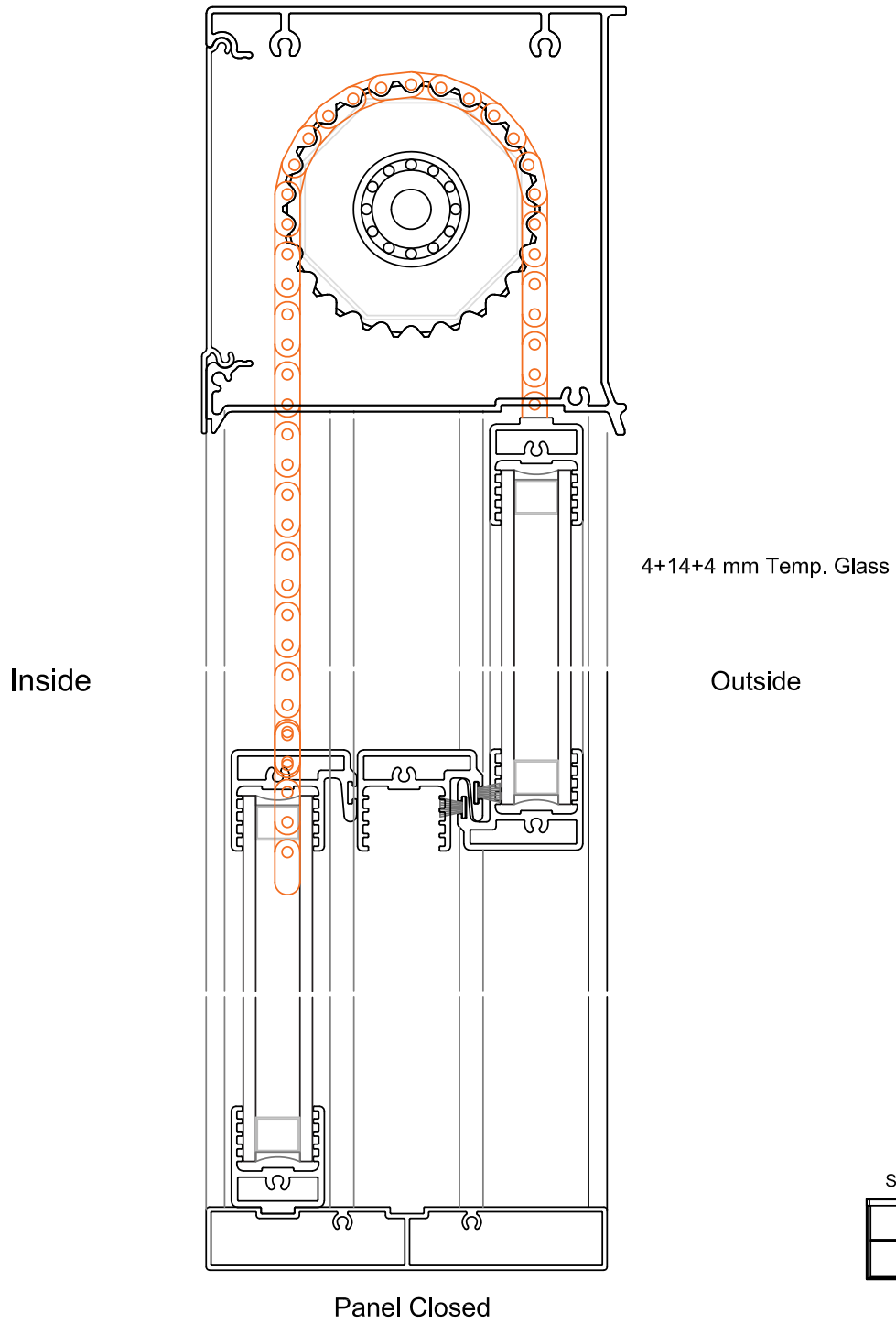


Scale: 1/2

Vertical Sliding System

VEGA

2 Elements at Bottom Stacking System



VEGA Top Section

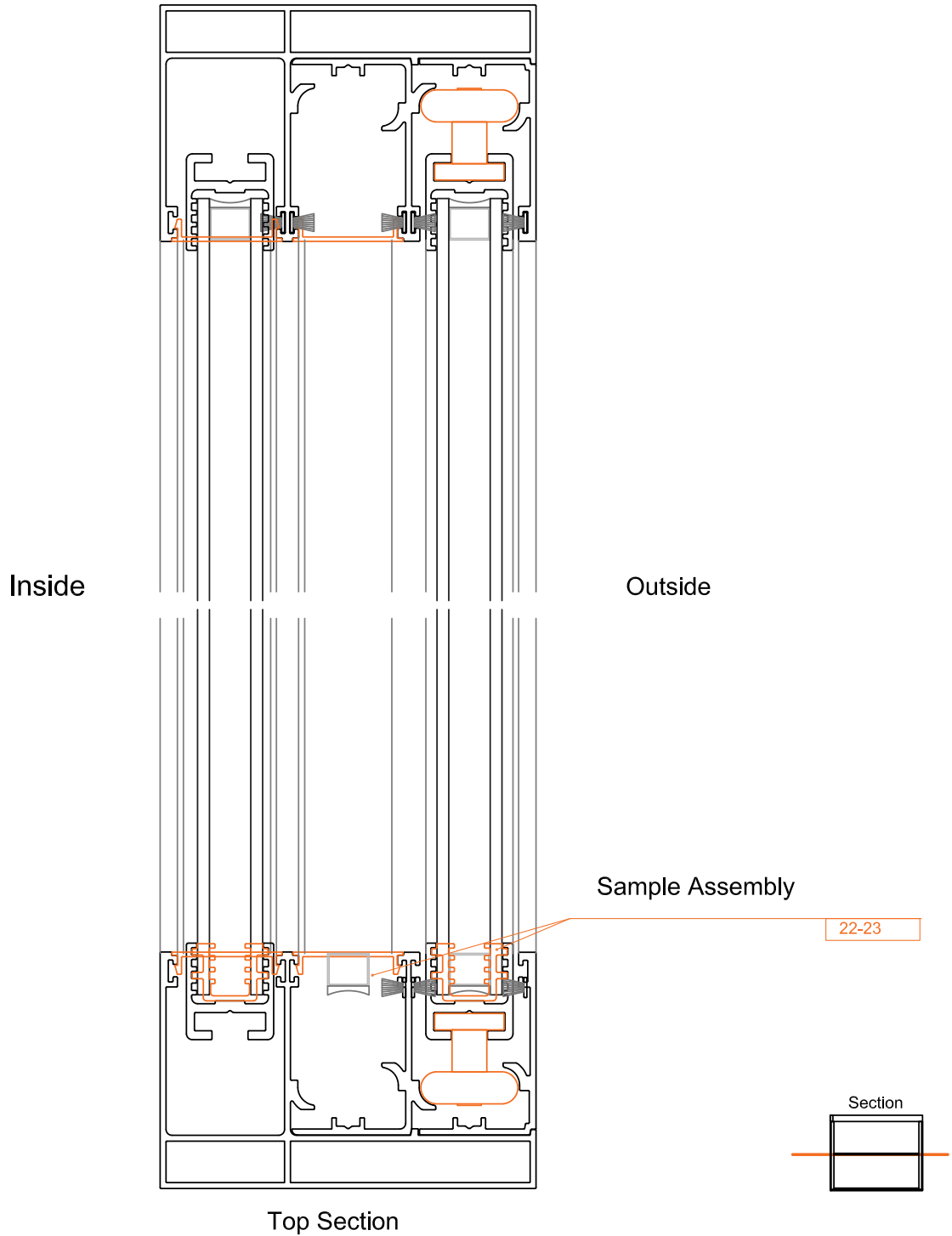
Scale: 1/2



Vertical Sliding System

VEGA

2 Elements at Bottom Stacking System



22	KPG-CB8-12
----	------------

23	KPG-CB10-12
----	-------------

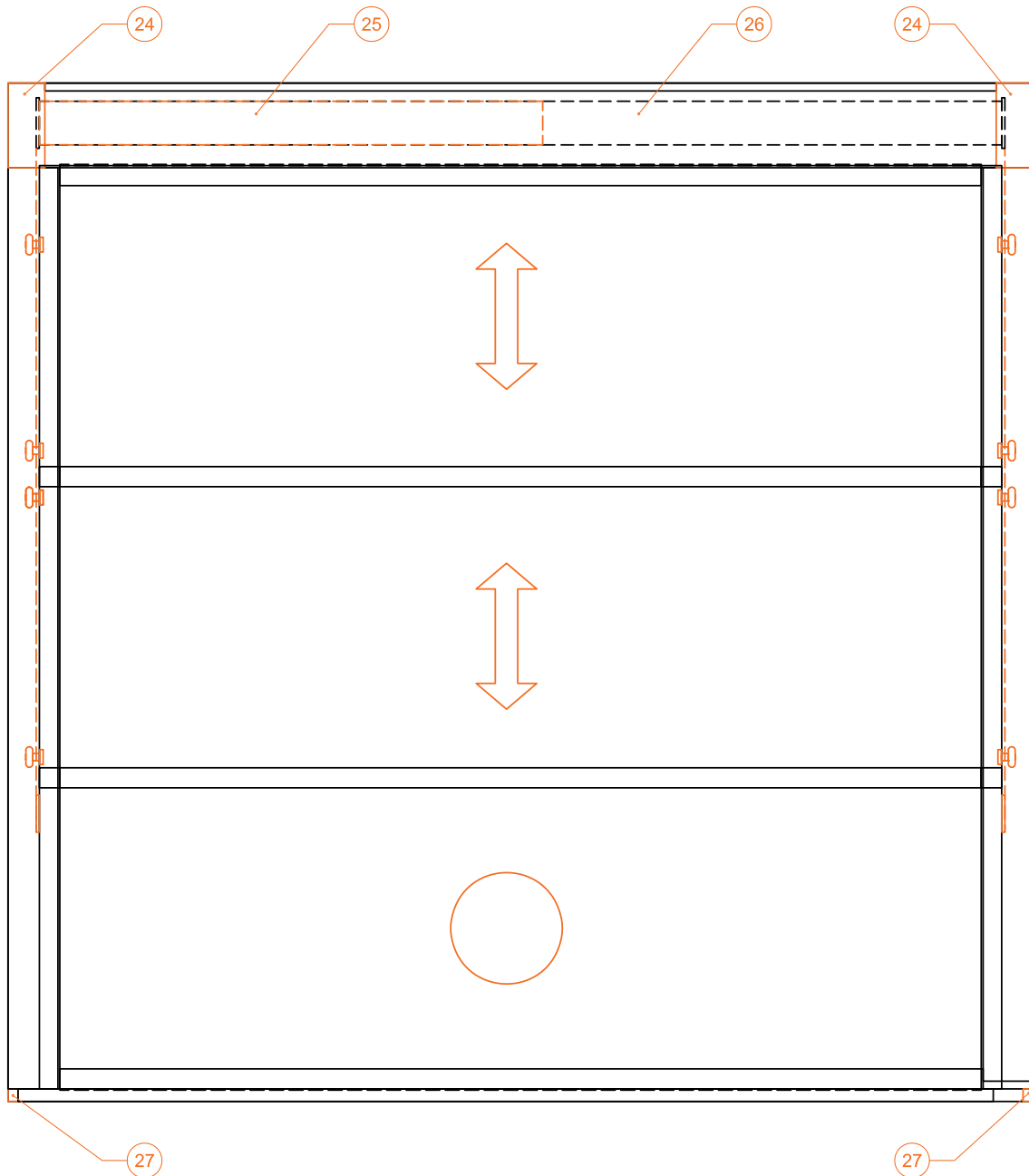
VEGA Front View



Scale: 1/2

Vertical Sliding System

VEGA



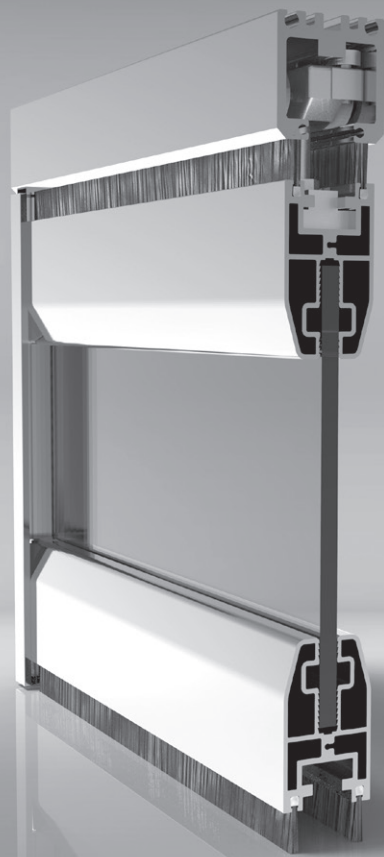
24	KPG-MBS-3	27	KPG-ABA-2
25	KPG-TMS-9		
26	KPG-MT-8		



VEGA

LIBRA

Top Hanging Folding System



LIBRA Technical Properties



Top Hanging Folding System

LIBRA

Profile Technical Properties

Rail Profile 62 x 63 mm

Wall Thickness of Rail Profile 4,9 mm

Panel Profile 52 x 89 mm

Wall Thickness of Panel Profile 3 mm

Technical Properties Roof

System Height 4500 mm

Panel Width 1200 mm

Glass Thickness 10 mm

Glass Type Tempered / Laminated

Profile Colors (In Stock) Anodized, Press

Panel Cap Colors (In Stock) Anodized, RAL

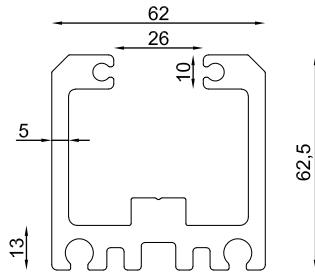
LIBRA Profiles

Scale: 1/2



Top Hanging Folding System

LIBRA



Profile Name:

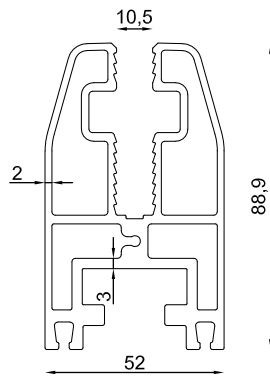
Rail Profil

Code Nr.:

KPV-BPE-04

Weight kg/m:

22,2 kg - 6 m - (3,7 kg/m)



Profile Name:

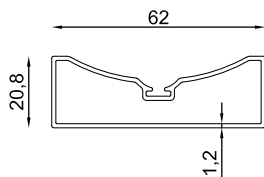
Panel Profil 10 mm

Code Nr.:

KPV-BPE-02

Weight kg/m:

20 kg - 6 m - (3,34 kg/m)



Profile Name:

Side Frame Profile

Code Nr.:

KPV-YKPE -03

Weight kg/m:

3,5 kg - 6,5 m - (0,54 kg/m)

Profile Name:

Code Nr.:

Weight kg/m:

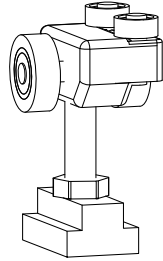
LIBRA Accessory

Scale: 1/2



Top Hanging Folding System

LIBRA



Name:

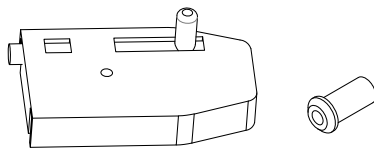
Metal Wheel Set

Code Nr.:

KPV-TK-101

Malzeme:

Zamac



Name:

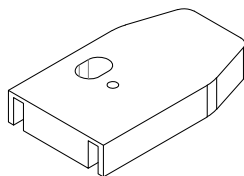
Locking Panel Cap

Code Nr.:

KPV-ZKK-109

Malzeme:

Zamac



Name:

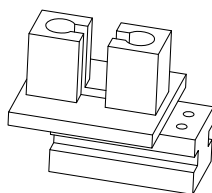
Plain Panel Cap

Code Nr.:

KPV-ZDK-206

Malzeme:

Zamac



Name:

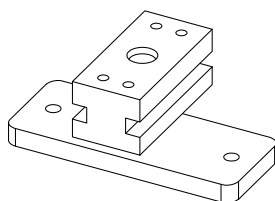
Adjustable Door Hinge Top

Code Nr.:

KPV-CK-204

Malzeme:

Aluminum



Name:

Adjustable Door Hinge Bottom

Code Nr.:

KPV-ALM-205

Malzeme:

Aluminum Steel

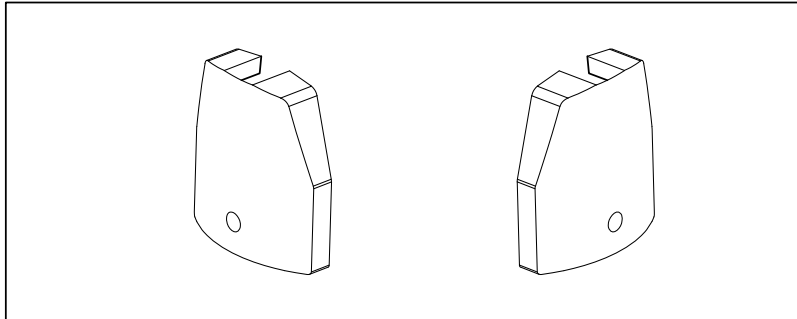
LIBRA Accessory

Scale: 1/2

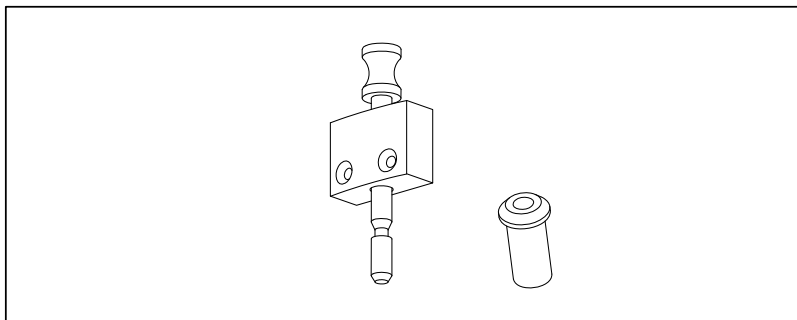


Top Hanging Folding System

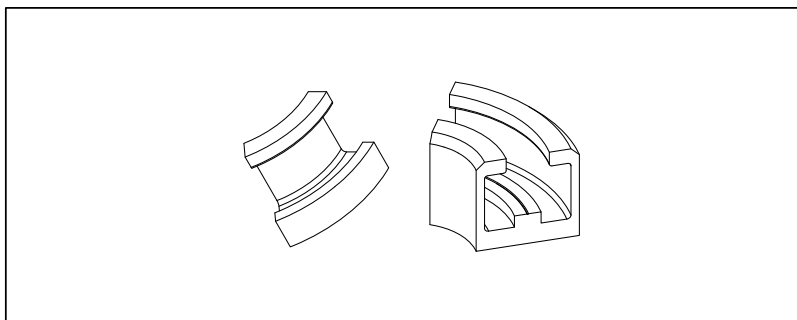
LIBRA



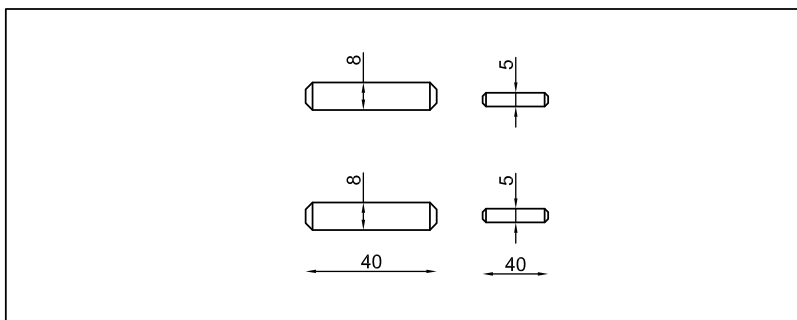
Name:
Side Case Cover
Code Nr.:
KPV-YKK-207
Malzeme:
Zamac



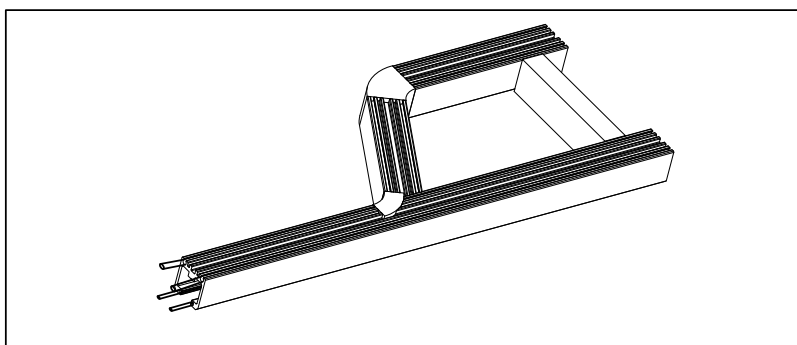
Name:
Sliding End Lock
Code Nr.:
KPV-SK-102
Malzeme:
Zamac



Name:
Wing Park Interior And Exterior
Code Nr.:
KPV-AD-202
Malzeme:
Aluminum



Name:
Rail Centering Pin
Code Nr.:
KPV-RMP-113
Malzeme:
Steel



Name:
Panel Park Area
Code Nr.:
KPV-KPI-400
Malzeme:
Aluminum

LIBRA Accessory

Ölçü: 1/2



Top Hanging Folding System

LIBRA



Name:

Stainless Pull Handle

Code Nr.:

KPV-PÇK-110

Malzeme:

Stainless Steel / Paslanmaz Çelik

Name: / İsim:

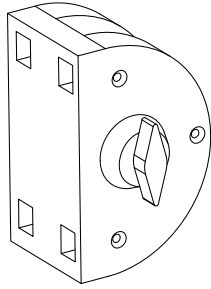
Glass To Glass Lock

Code Nr.:

KPV-CCK-111

Malzeme:

Stainless Steel



Name:

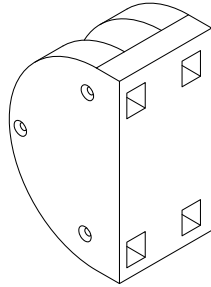
Glass Striker Lock

Code Nr.:

KPV-CCKK-112

Malzeme:

Stainless Steel



Name:

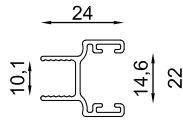
H-Double Side Strip

Code Nr.:

KP4-AHF-0202

Malzeme:

1,5 kg - 6 m - (0,25 kg/m)



Name: / İsim:

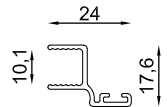
H-Single Side Strip

Code Nr.:

KP4-AHF-0203

Malzeme:

1,5 kg - 6 m - (0,25 kg/m)



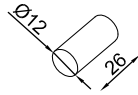
LIBRA Accessory

Scale: 1/2



Top Hanging Folding System

LIBRA



Name:

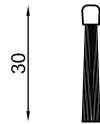
12mm Pin For Glass

Code Nr.:

KPV-PP-107

Malzeme:

PVC



Name:

Brush Seal 30 Hood

Code Nr.:

KPV-KF-120

Malzeme:

PVC



Name:

Brush 6.7 / 600

Code Nr.:

KP-KFİT600-1001

Malzeme:

PVC



Name:

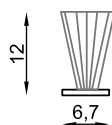
Brush 6.8 / 1000

Code Nr.:

KPO-KFİT1000-1002

Malzeme:

PVC



Name:

Brush 6.7 / 1200

Code Nr.:

KP-KFİT1200-1003

Malzeme:

PVC

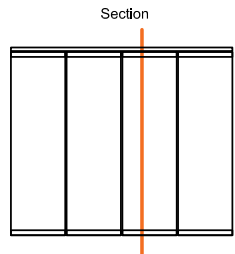
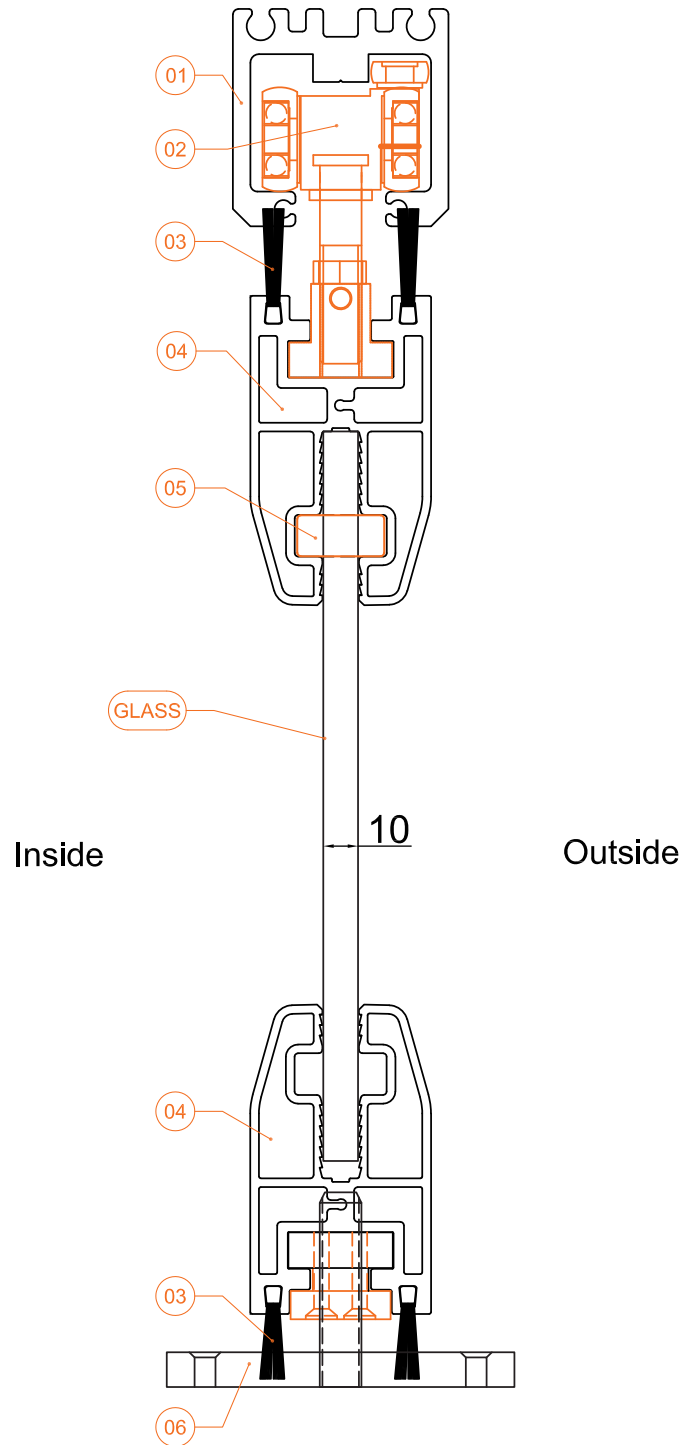
LIBRA Section



Scale: 1/2

Top Hanging Folding System

LIBRA



01	KPV- BPE-04	04	KPV- BPE-02
02	KPV- TK-101	05	KPV- PP-107
03	KPV- KF-120	06	KPV- ALM-205

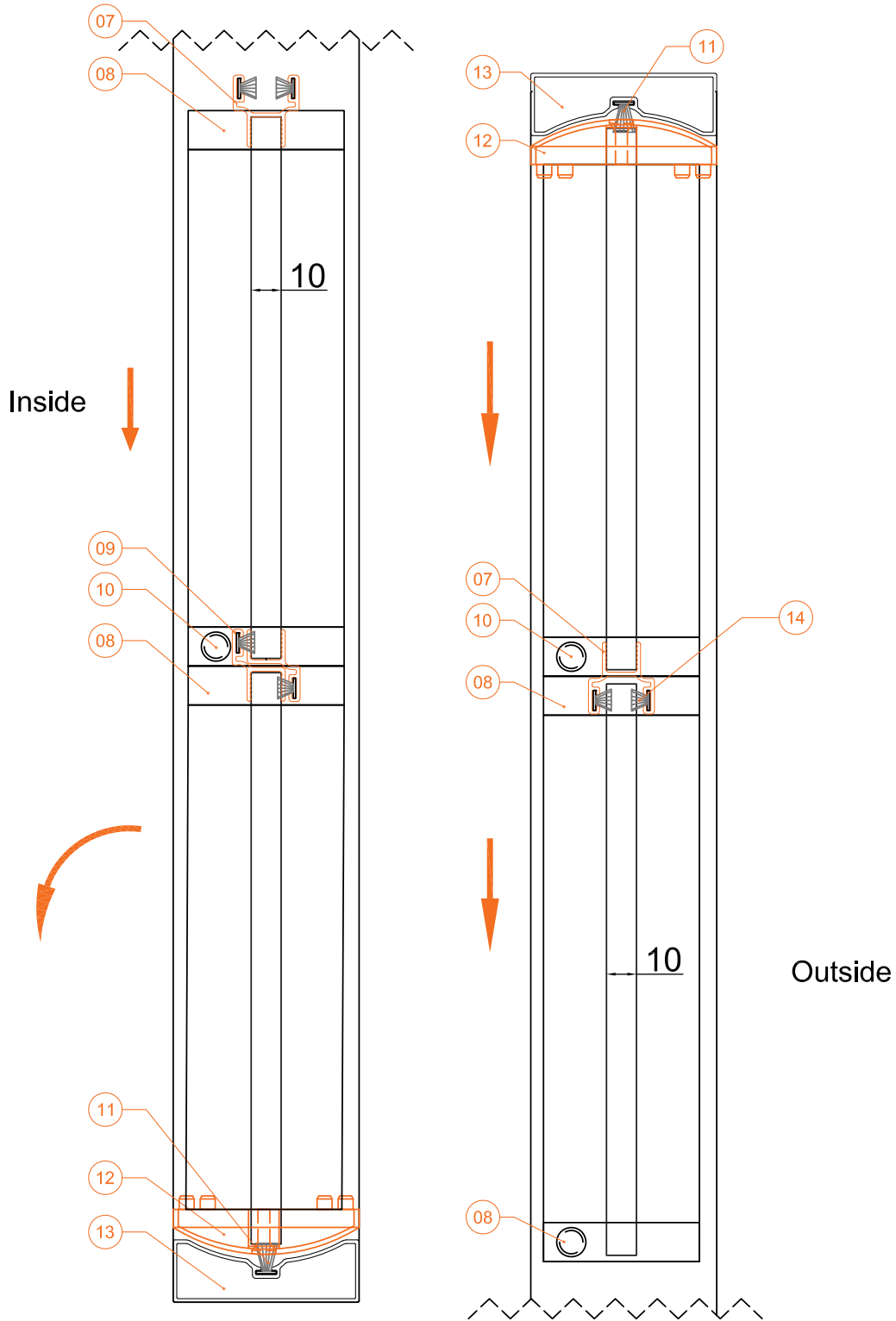
LIBRA Section



Scale: 1/2

Top Hanging Folding System

LIBRA



07	KP4- AHF-0202	10	KPV- ZKK-109	13	KPV- YKPE-03
08	KPV- ZDK-206	11	KPO-KFİT1000-1002	14	KP- KFİT600-1001
09	KP4- AHF-0203	12	KPV- YKK-207		

Section



LIBRA Front View



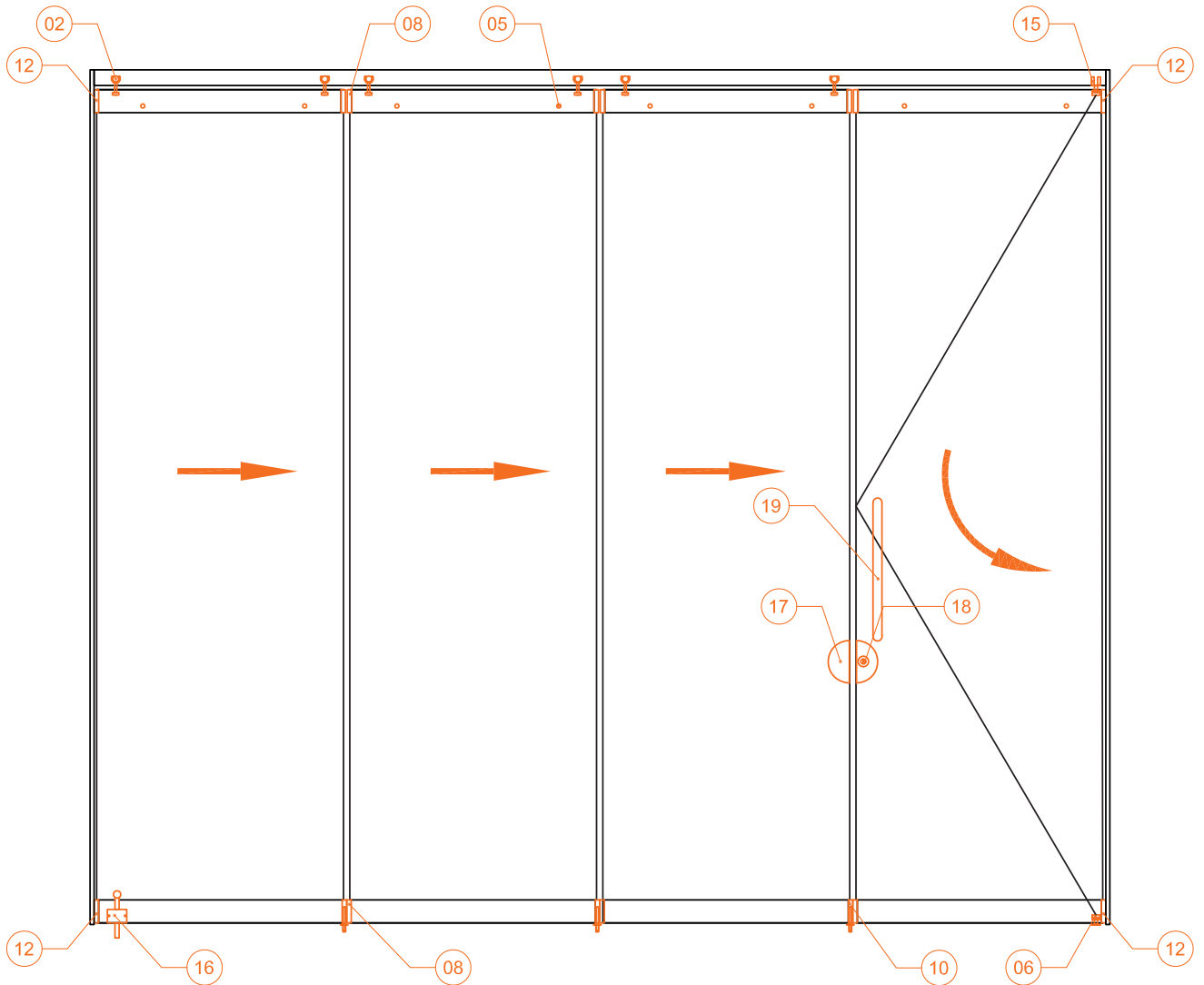
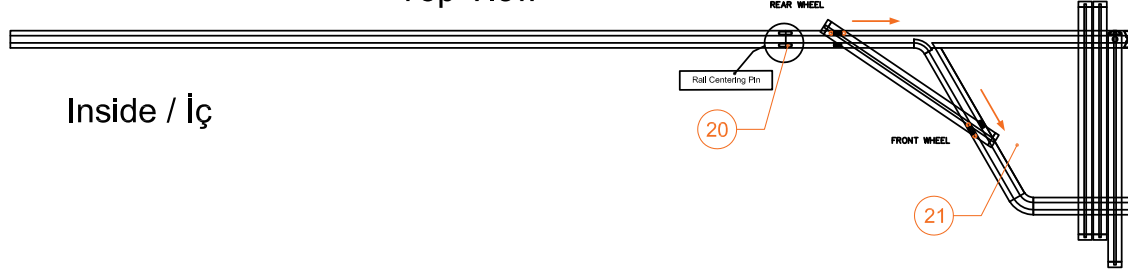
Scale / Ölçek: 1/2

Top Hanging Folding System

LIBRA

Outside

Top View



Front View

Section



05	KPV- PP-107	10	KPV- ZKK-109	16	KPV- SK-102	19	KPV- PÇK-110
06	KPV- ALM-205	12	KPV- YKK-207	17	KPV- CCKK-112	20	KPV- RMP-113
08	KPV- ZDK-206	15	KPV- CK-204	18	KPV- CCK-111	21	KPV- KPI-400

LIBRA MINOR

Top Hanging Folding System



LIBRA MINOR Technical Properties



Top Hanging Folding System

LIBRA MINOR

Profile Technical Properties

Rail Profile 43 x 61 mm

Wall Thickness of Rail Profile 2,5 mm

Panel Profile 41 x 41 mm

Wall Thickness of Panel Profile 2 mm

Technical Properties Roof

System Height 3000 - 3200 mm

Panel Width 700 - 750 mm

Glass Thickness 8 mm & 10 mm

Glass Type Tempered / Laminated

Profile Colors (In Stock) Anodized, Press

Panel Cap Colors (In Stock) Grey, Black

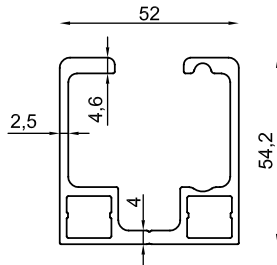
LIBRA MINOR Profiles

Scale: 1/2



Top Hanging Folding System

LIBRA MINOR



Profile Name:

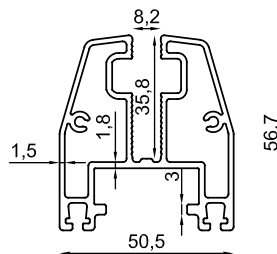
Rail Profil

Code Nr.:

KPEV-RPP-03

Weight kg/m:

10,20 kg - 6,00 m - (1,70 kg/m)



Profile Name:

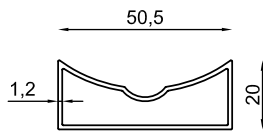
Panel Profil 8 mm

Code Nr.:

KPEV-BPP8-01

Weight kg/m:

9,00 kg - 6,00 m - (1,50 kg/m)



Profile Name:

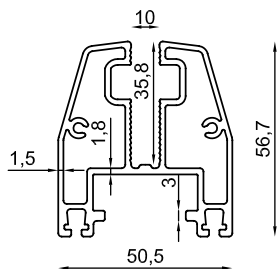
Side Frame Profile

Code Nr.:

KPEV-VYKP-04

Weight kg/m:

3,30 kg - 6,50 m - (0,51 kg/m)



Profile Name:

Panel Profil 10 mm

Code Nr.:

KPEV-BPP10-01

Weight kg/m:

9,00 kg - 6,00m - (1,50 kg/m)

Profile Name:

Code Nr.:

Weight kg/m:

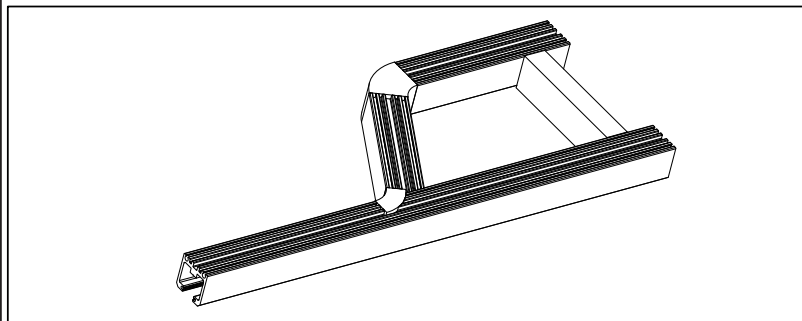
LIBRA MINOR Profiles

Scale: 1/2



Top Hanging Folding System

LIBRA MINOR



Name:

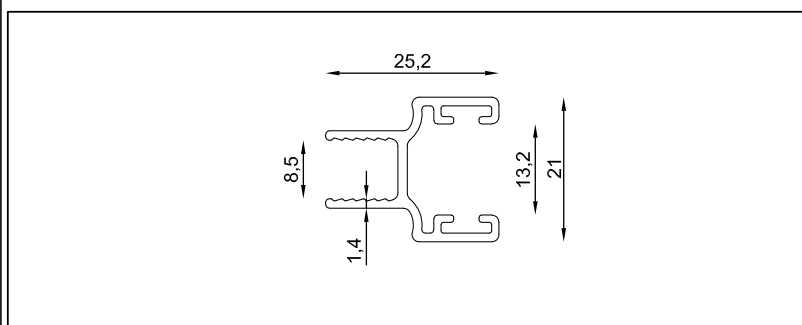
Panel Park Area

Code Nr.:

KPEV-PYA-105

Material:

Aluminum



Name:

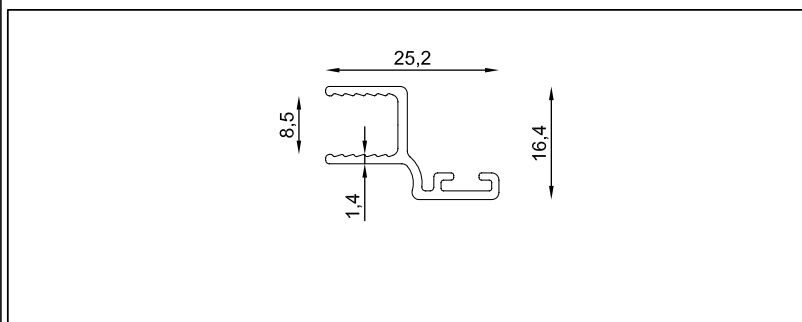
H-Double Side Strip

Code Nr.:

KP4-AHF-022

Material:

1,50 kg - 6,00 m - (0,25 kg/m)



Name:

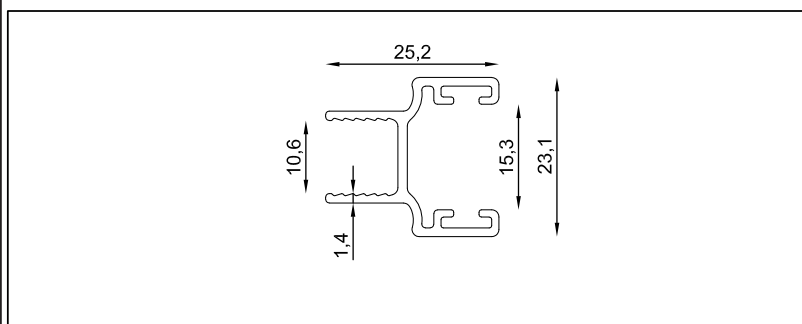
H-Single Side Strip

Code Nr.:

KP4-AHF-023

Material:

1,00 kg - 6,00 m - (0,17 kg/m)



Name:

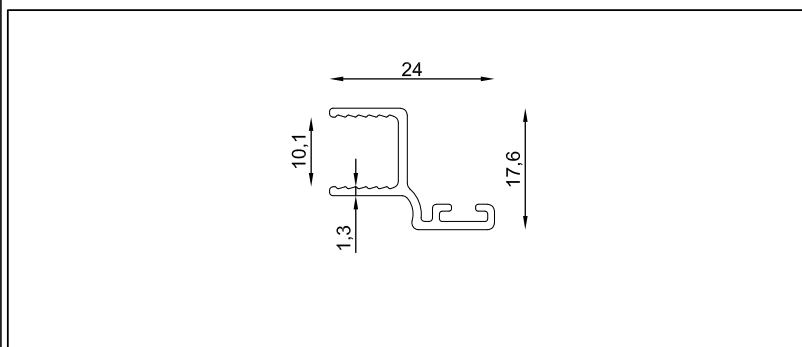
H-Double Side Strip

Code Nr.:

KP4-AHF-0202

Material:

1,50 kg - 6,00 m - (0,25 kg/m)



Name:

H-Single Side Strip 10mm

Code Nr.:

KP4-AHF-0203

Material:

1,50 kg - 6,00 m - (0,25 kg/m)

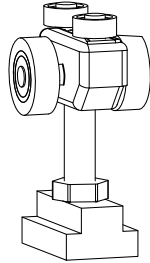
LIBRA MINOR Accessory



Scale: 1/2

Top Hanging Folding System

LIBRA MINOR



Name:

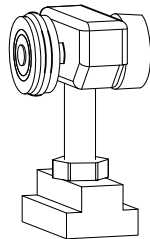
Guiding Wheel Set

Code Nr.:

KPEV-YT-200

Material

Zamac



Name:

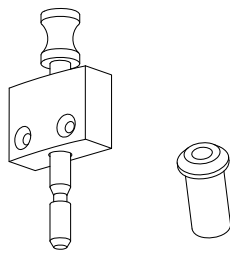
Guide Straight Wheel Set

Code Nr.:

KPEV-DT-201

Material:

Zamac



Name:

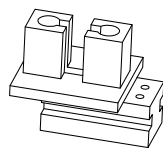
Park Area Outside Corner

Code Nr.: / Kod No.:

KPV-SK-102

Material:

Zamac



Name:

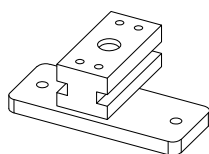
Adjustable Door Hinge Top

Code Nr.:

KPEV-MTU-104

Material:

Aluminum



Name:

Adjustable Door Hinge Bottom

Code Nr.:

KPEV-MTA-103

Material:

Aluminum Steel

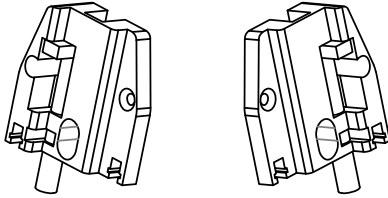
LIBRA MINOR Accessory

Scale: 1/2



Top Hanging Folding System

LIBRA MINOR



Name:

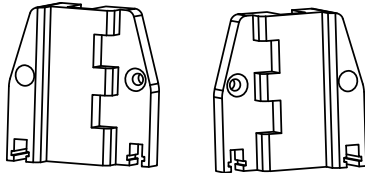
Locked Wing Cover

Code Nr.:

KPEV-KK-106

Material:

Polyamide



Name:

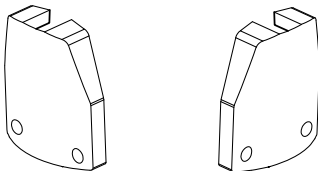
Locked Sore Wing Cover

Code Nr.:

KPEV-KKAS-108

Material:

Polyamide



Name:

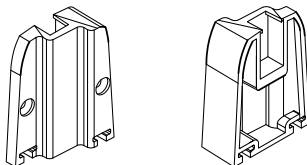
Jamp Side Ovale Cap

Code Nr.:

KPEV-YK-107

Material:

Polyamide



Name:

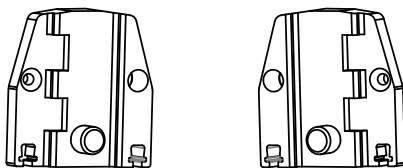
Top Plain Caps Left - Right

Code Nr.:

KPEV-DK-107

Material:

Polyamide



Name:

Locked Wing Cover Striker

Code Nr.:

KPEV-KKS-108

Material:

Polyamide

LIBRA MINOR Accessory

Scale: 1/2



Top Hanging Folding System

LIBRA MINOR

Name:

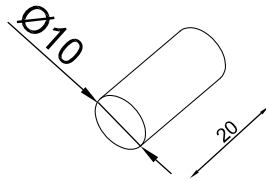
10 mm Pin For Glass

Code Nr.:

KPEV-PP-108

Material:

PVC



Name:

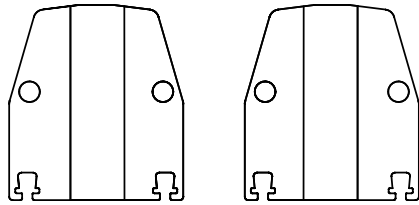
Double Hurt Wing Cover

Code Nr.:

KPEV-ÇK-106

Material:

Polyamide



Name:

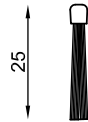
Brush Seal

Code Nr.:

KPEV-KF-120

Material:

PVC



Name:

Brush 6.7 / 600

Code Nr.: / Kod No.:

KP-KFİT600-1001

Material:

PVC



Name:

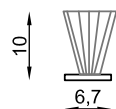
Brush 6.8 / 1000

Code Nr.:

KPO-KFİT1000-1002

Material:

PVC



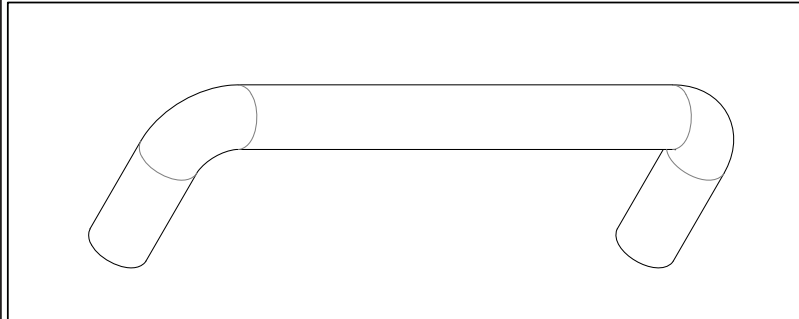
LIBRA MINOR Accessory

Scale: 1/2



Top Hanging Folding System

LIBRA MINOR



Name:

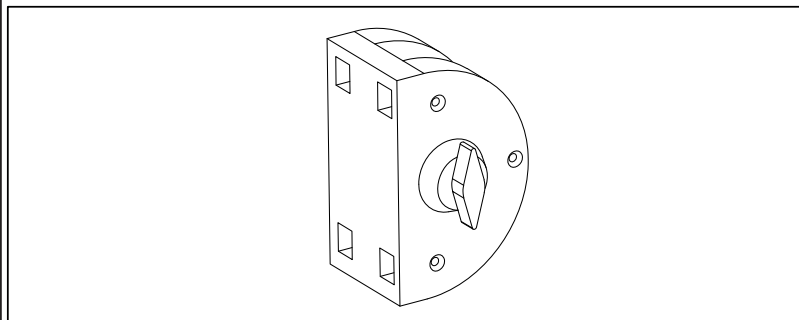
Stainless Pull Handle

Code Nr.:

KPV-PÇK-110

Material:

Stainless Steel



Name:

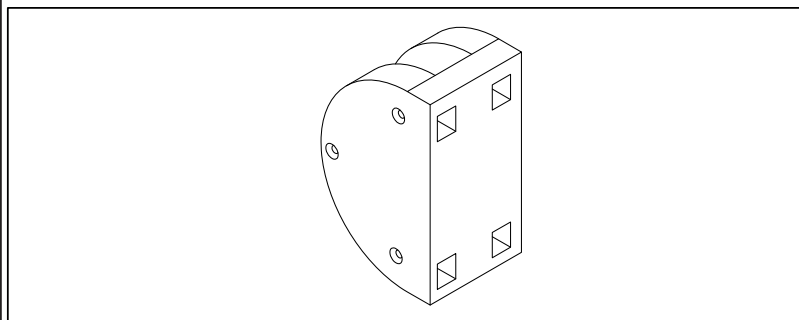
Glass To Glass Lock

Code Nr.:

KPV-CCK-111

Material:

Stainless Steel



Name:

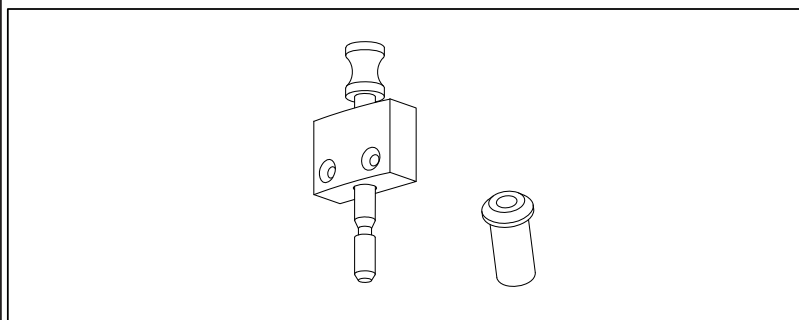
Glass Striker Lock

Code Nr.:

KPV-CCKK-112

Material:

Stainless Steel



Name:

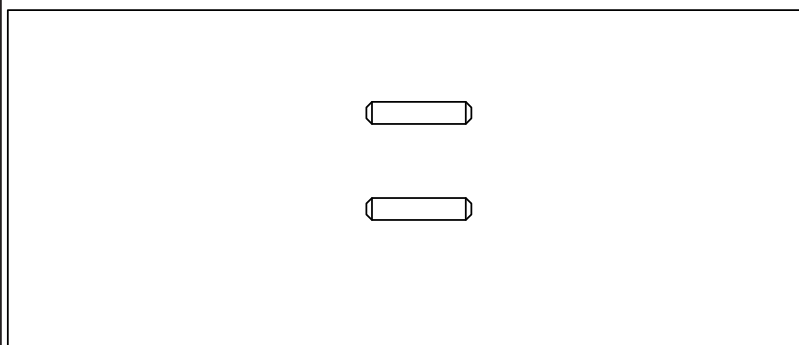
Sliding End Lock:

Code Nr.:

KPV-SK-102

Material:

Zamac



Name:

Rail Centering Pin

Code Nr.:

KPEV-RMP-113

Material:

Aluminum

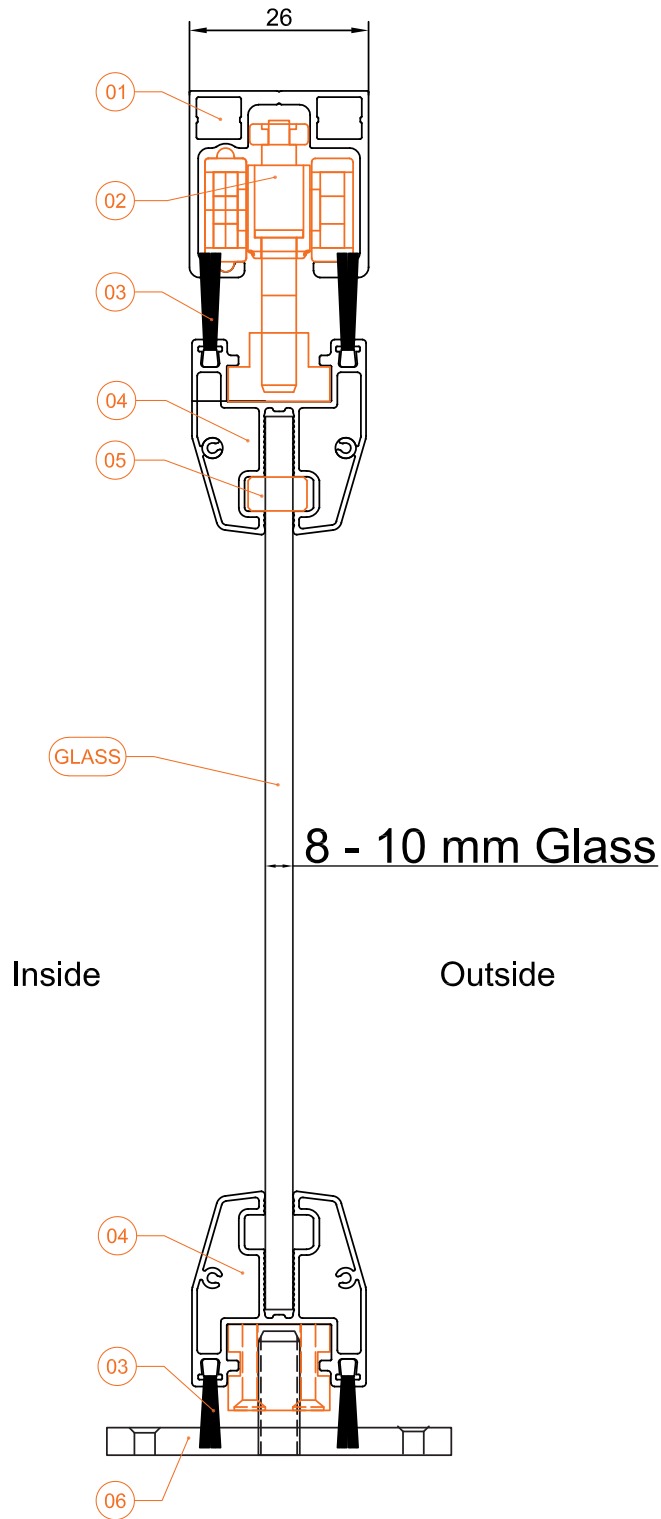
LIBRA MINOR Section

Scale: 1/2



Top Hanging Folding System

LIBRA MINOR



01	KPEV- BPE-03	04	KPEV- BPP8-01
02	KPEV- YT-200	05	KPEV- PP-108
03	KPEV- KF-120	06	KPEV- MTA-103

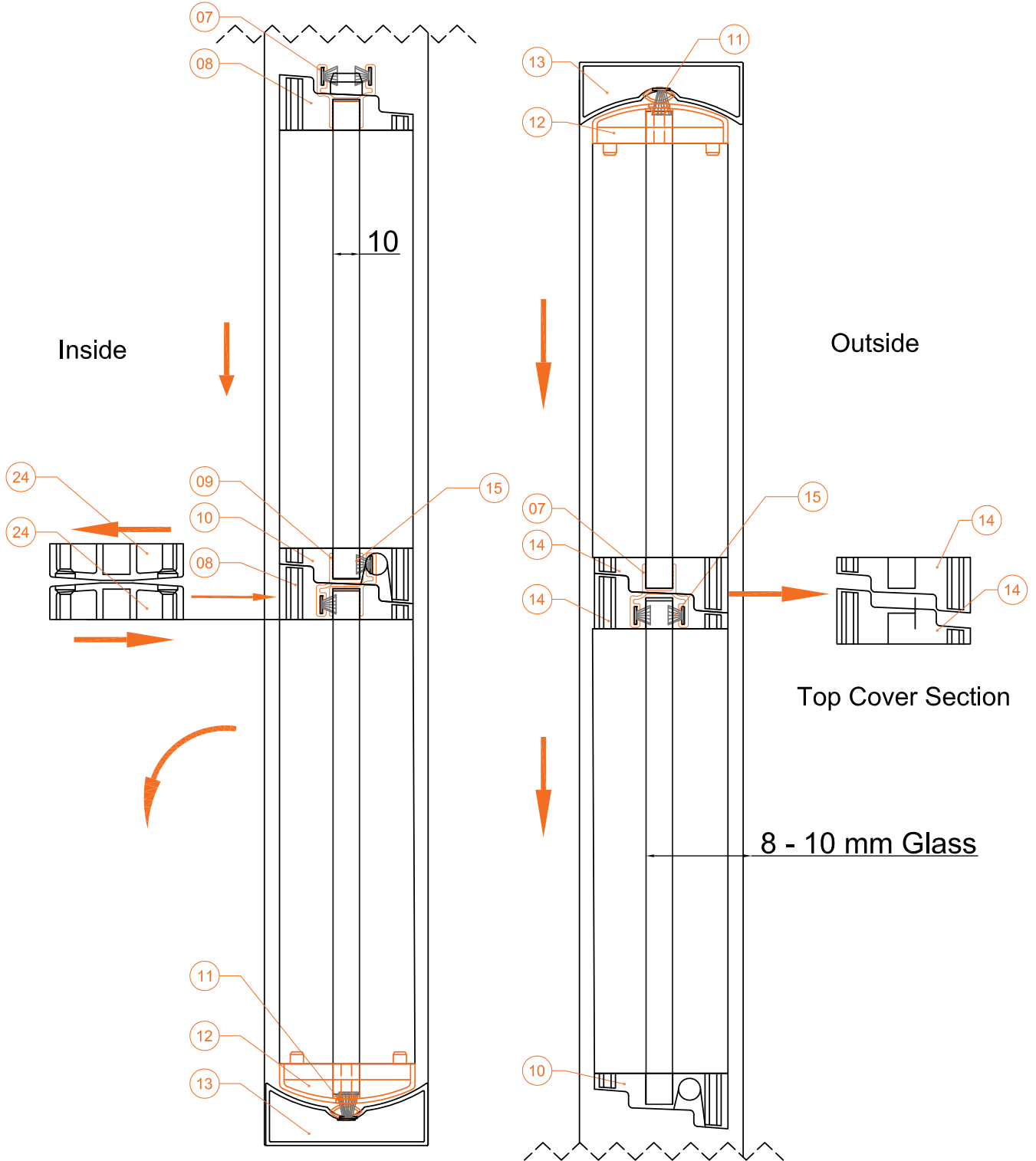
LIBRA MINOR Section

Scale: 1/2



Top Hanging Folding System

LIBRA MINOR



07	KP4- AHF-0202	10	KPEV- KK-106	13	KPEV- VYKP-04	07	KP4- AHF-022
08	KPEV- KKAS-108	11	KPO-KFİT1000-1002	14	KPEV- DK-107	09	KP4- AHF-023
09	KP4- AHF-0203	12	KPEV- YK-107	15	KP-KFİT600 -1001	24	KPEV- ÇK-106

Section



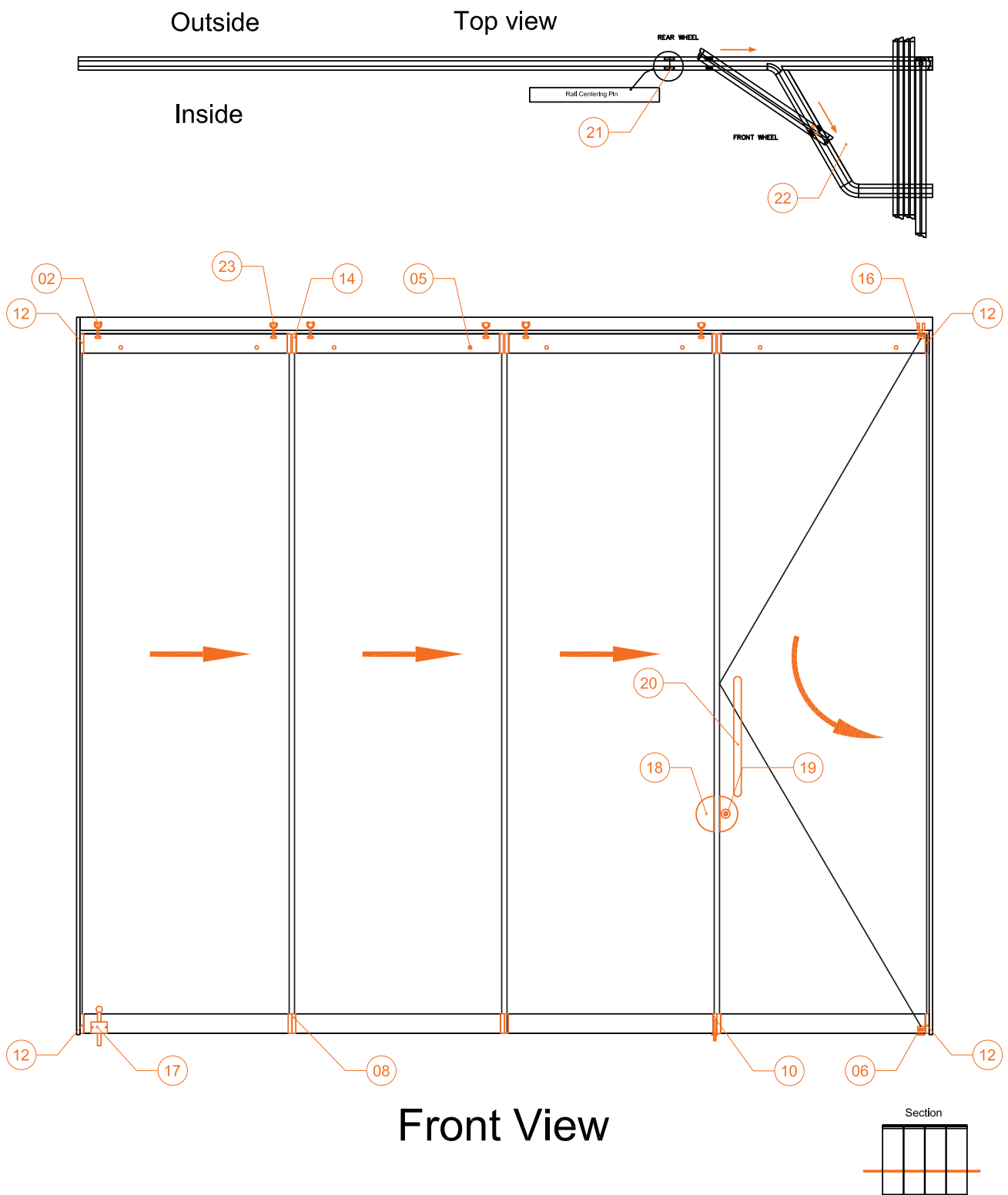
LIBRA MINOR Front View



Scale: 1/2

Top Hanging Folding System

LIBRA MINOR



Front View

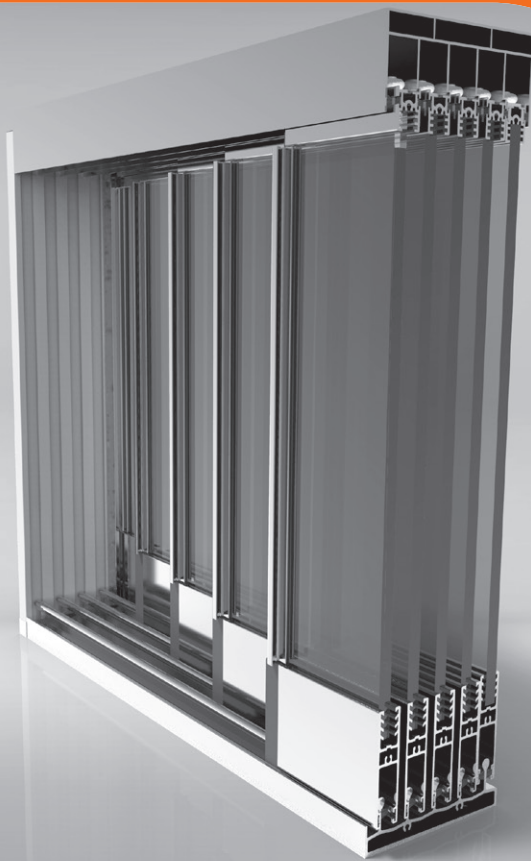
02	KPEV- YT-200	08	KPEV- KKAS-108	16	KPEV- MTA-103	19	KPV- CCK-111	22	KPEV- PYA-105
06	KPEV- MTA-103	12	KPEV- YK-107	17	KPV- SK-102	20	KPV- CCK-111	23	KPEV- DT-201
05	KPEV- PP-108	10	KPEV- KK-106	18	KPV- CCKK-112	21	KPEV-RMP-113		



LIBRA MINOR

ARISTA MINOR

Single Glazed High Threshold Sliding System



ARISTA MINOR Technical Properties



Single Glazed High Threshold Sliding System

ARISTA MINOR

Profile Technical Properties

Rail Profile 6,8 x 109 mm

Wall Thickness of Rail Profile 1,7 mm

Panel Profile 16 x 80 mm

Wall Thickness of Panel Profile 1,7 mm

Technical Properties Roof

System Height 2500 - 3000 mm

Panel Width 800 - 1000 mm

Glass Thickness 8 mm

Glass Type Tempered / Laminated

Profile Colors (In Stock) Anodized, Press

Panel Cap Colors (In Stock) Grey, Black

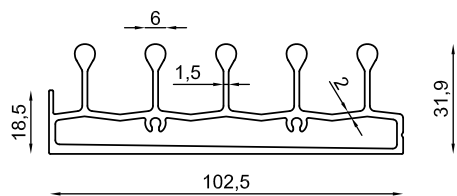
ARISTA MINOR Profiles

Scale: 1/2



Single Glazed High Threshold Sliding System

ARISTA MINOR



Profile Name:

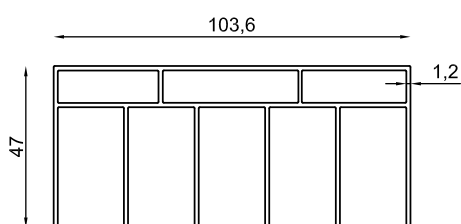
Bottom Rail

Code Nr.:

KPS-AREI-4

Weight kg/m:

12,84 kg - 6,50 m - (1,97 kg/m)



Profile Name:

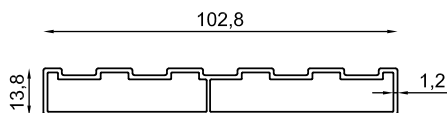
Top Rail

Code Nr.:

KPS-ÜREI-6

Weight kg/m:

10,80 kg - 6,50 m - (1,67 kg/m)



Profile Name:

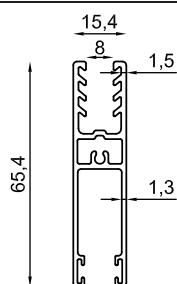
Side Jamb Profile

Code Nr.:

KPS-YKEI-5

Weight kg/m:

5,50 kg - 6,50 m - (0,85 kg/m)



Profile Name:

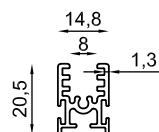
Lower Plinth

Code Nr.:

KPS-ABEI-8

Weight kg/m:

4,40 kg - 6,00 m - (0,74 kg/m)



Profile Name:

Top Panel Profile

Code Nr.:

KPS-ÜBEI-7

Weight kg/m:

1,80 kg - 6,00 m - (0,30 kg/m)

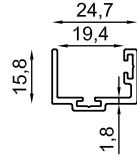
ARISTA MINOR Profiles

Scale: 1/2



Single Glazed High Threshold Sliding System

ARISTA MINOR



Profile Name:

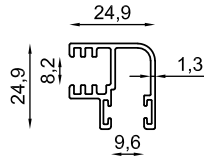
Side Jamb Bar

Code Nr.:

KPS-YÇE-2

Weight kg/m:

1,70 kg - 6,00 m - (0,28 kg/m)



Profile Name:

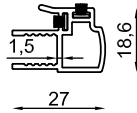
90° Corner

Code Nr.:

KPS-90ÇE-9

Weight kg/m:

2,40 kg - 6,00 m - (0,40 kg/m)



Profile Name:

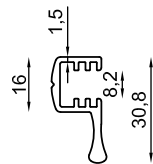
Panel Aluminium Strip

Code Nr.:

KPS-AÇE-3

Weight kg/m:

1,60 kg - 6,00 m - (0,27 kg/m)



Profile Name:

First Panel Grab Profile

Code Nr.:

KPS-İKÇE-1

Weight kg/m:

2,90 kg - 6,00 m - (0,48 kg/m)

Profile Name:

Code Nr.:

Weight kg/m:

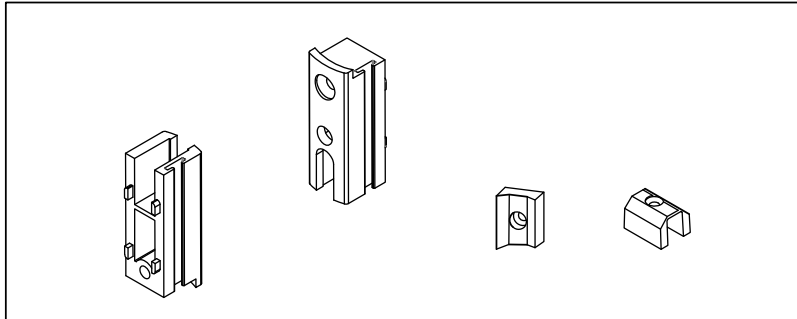
ARISTA MINOR Profiles



Scale: 1/2

Single Glazed High Threshold Sliding System

ARISTA MINOR



Profile Name:

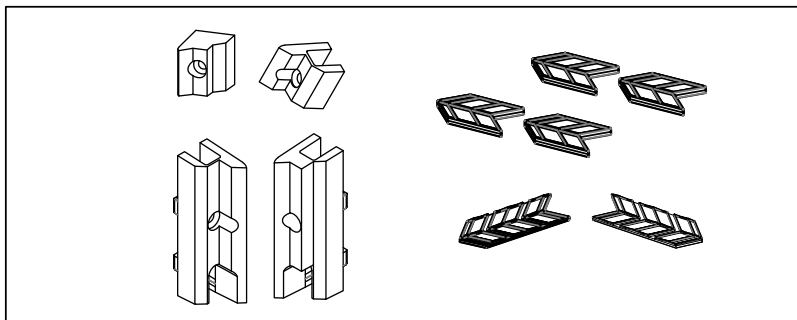
Panel Cap

Code Nr.:

KPS-DKEI-05

Material:

Polyamide



Profile Name:

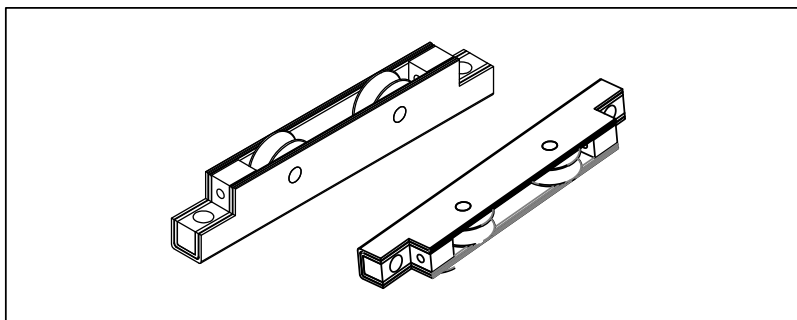
90° Corner Cap

Code Nr.:

KPS-90BKRAEI-06

Material:

Polyamide



Profile Name:

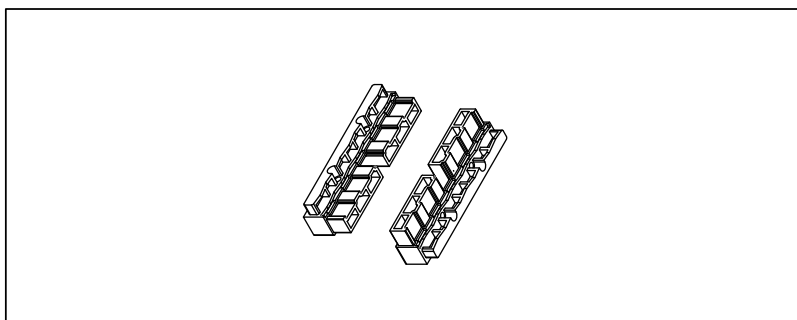
Bottom Wheel System

Code Nr.:

KPS-ALTEI-01

Material:

Steel - Polyamide



Profile Name:

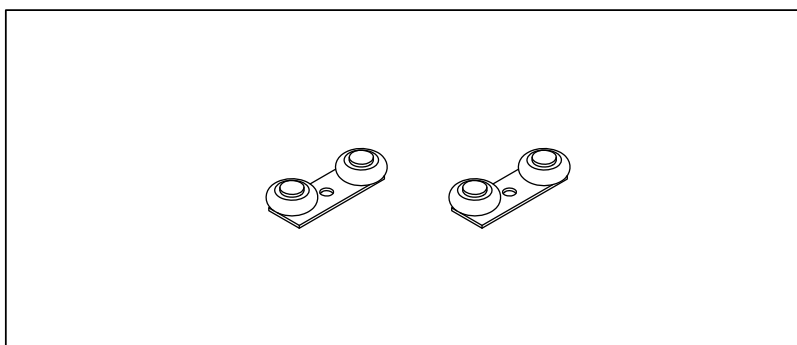
Side Jump Apparatus

Code Nr.:

KPS-YKSEI-04

Material:

Polyamide



Profile Name:

Top Wheel System

Code Nr.: / Kod No.:

KPS-ÜSTEI-02

Material:

Steel - Polyamide

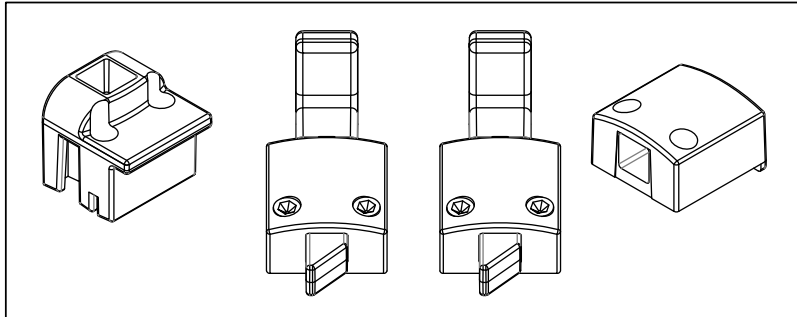
ARISTA MINOR Profiles

Scale: 1/2



Single Glazed High Threshold Sliding System

ARISTA MINOR



Profile Name:

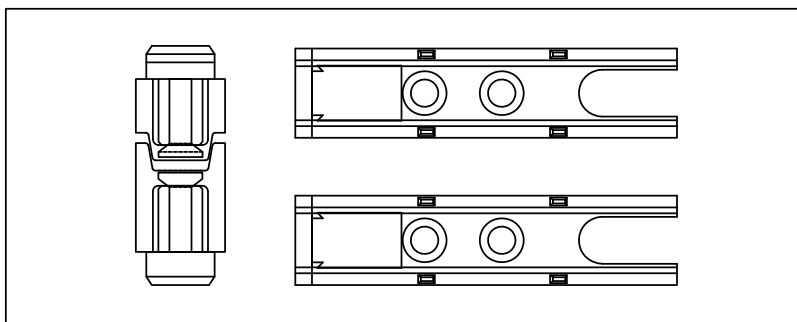
Panel Lock

Code Nr.:

KPS-KLTEI-03

Material:

Polyamide



Profile Name:

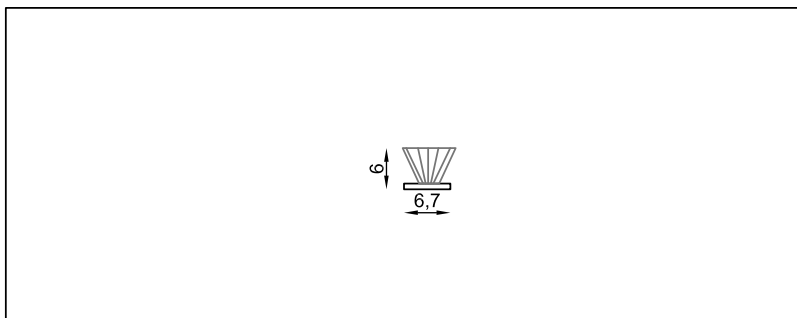
Interconnection Cover

Code Nr.:

KPS-ABKEI-10

Material:

Polyamide



Profile Name:

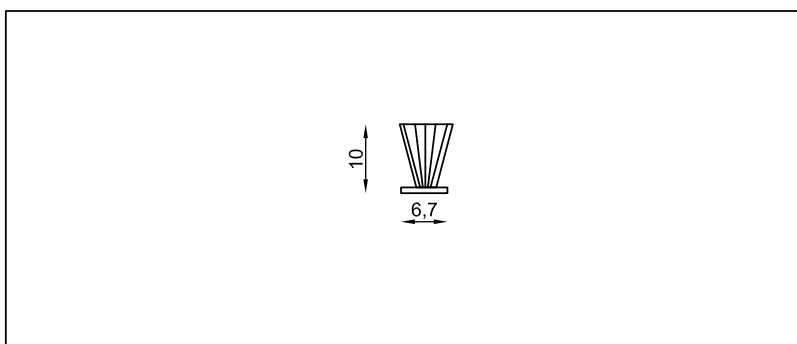
Brush 6.7 / 600

Code Nr.:

KP-KFIT600-1001

Material:

PVC



Profile Name:

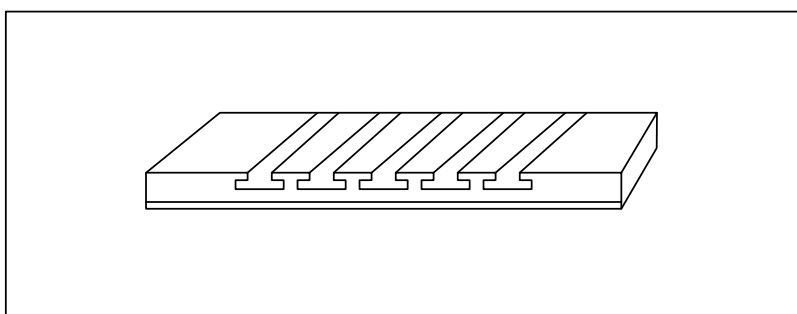
Brush 6.8 / 1000

Code Nr.:

KPO-KFIT1000-1002

Material:

PVC



Profile Name:

Sill Sealing Apparatus

Code Nr.: / Kod No.:

KPS-SAEI-07

Material:

Polyamide

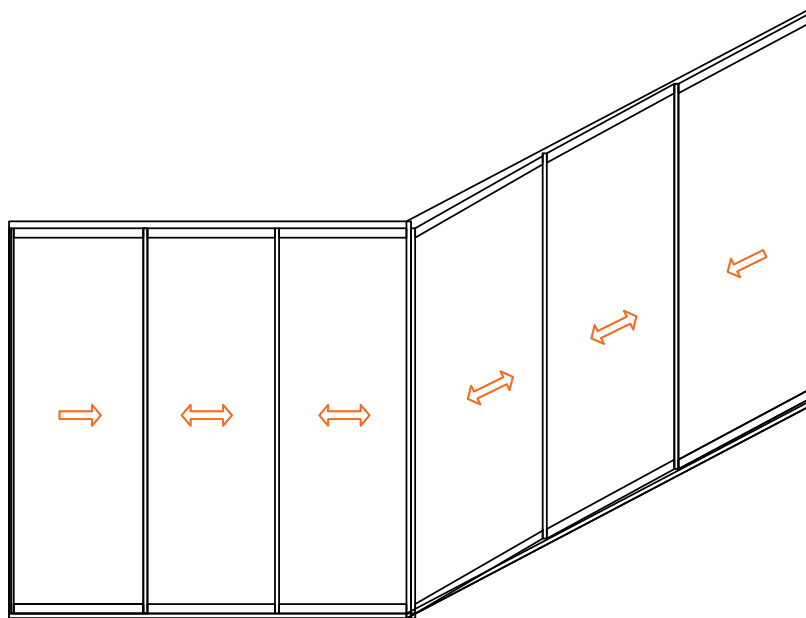
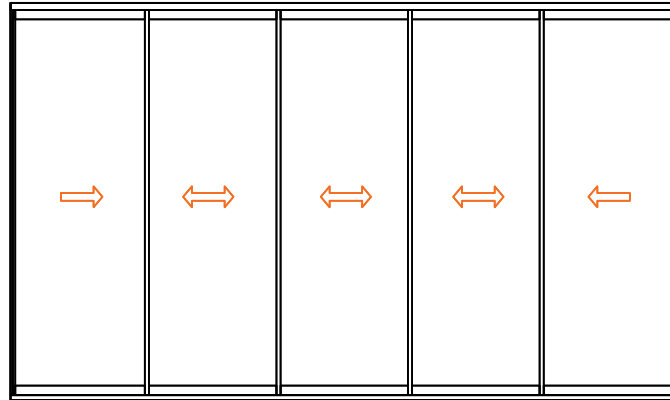
ARISTA MINOR



Scale: 1/2

Double Glazed High Threshold Sliding System

ARISTA MINOR



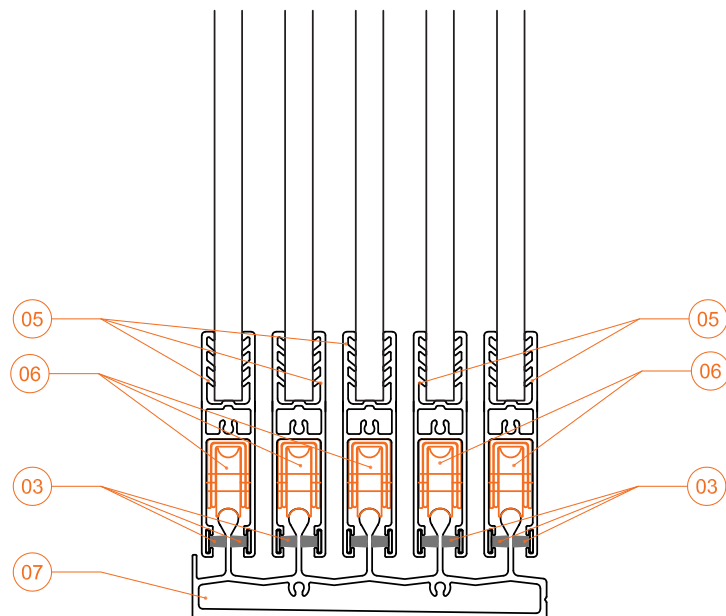
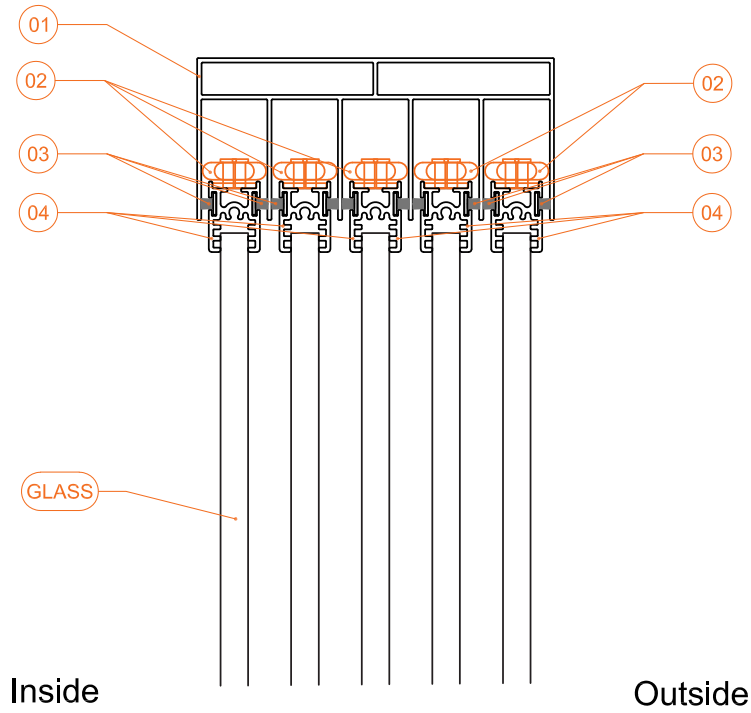
ARISTA MINOR Section



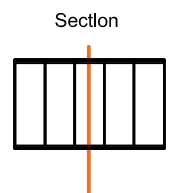
Scale: 1/2

Double Glazed High Threshold Sliding System

ARISTA MINOR



01	KPS-ÜREI-6	04	KPS-ÜBEI-7	07	KPS-AREI-4
02	KPS-ÜSTEI-02	05	KPS-ABEI-8		
03	KPO-KFIT1000-1002	06	KPS-ALTEI-01		



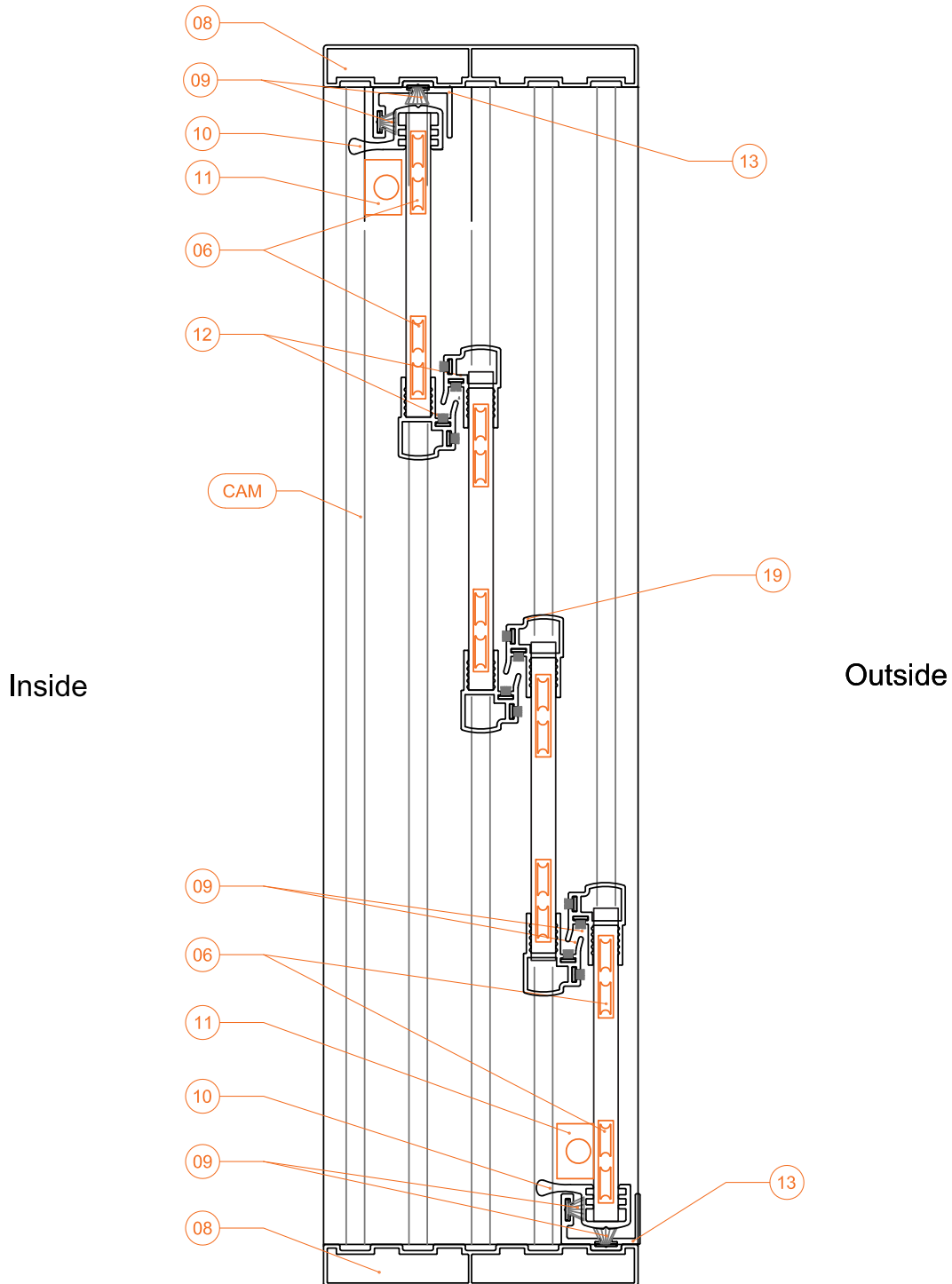
ARISTA MINOR Section



Scale: 1/2

Double Glazed High Threshold Sliding System

ARISTA MINOR



06	KPS-ALTEI-01	10	KPS-İKÇE-1	13	KPS-YÇE-2
08	KPS-YKEI-5	11	KPS-KLTEI-03	19	KPS-SAEI-07
09	KP-KFIT600-1001	12	KPS-AÇE-3		

Section



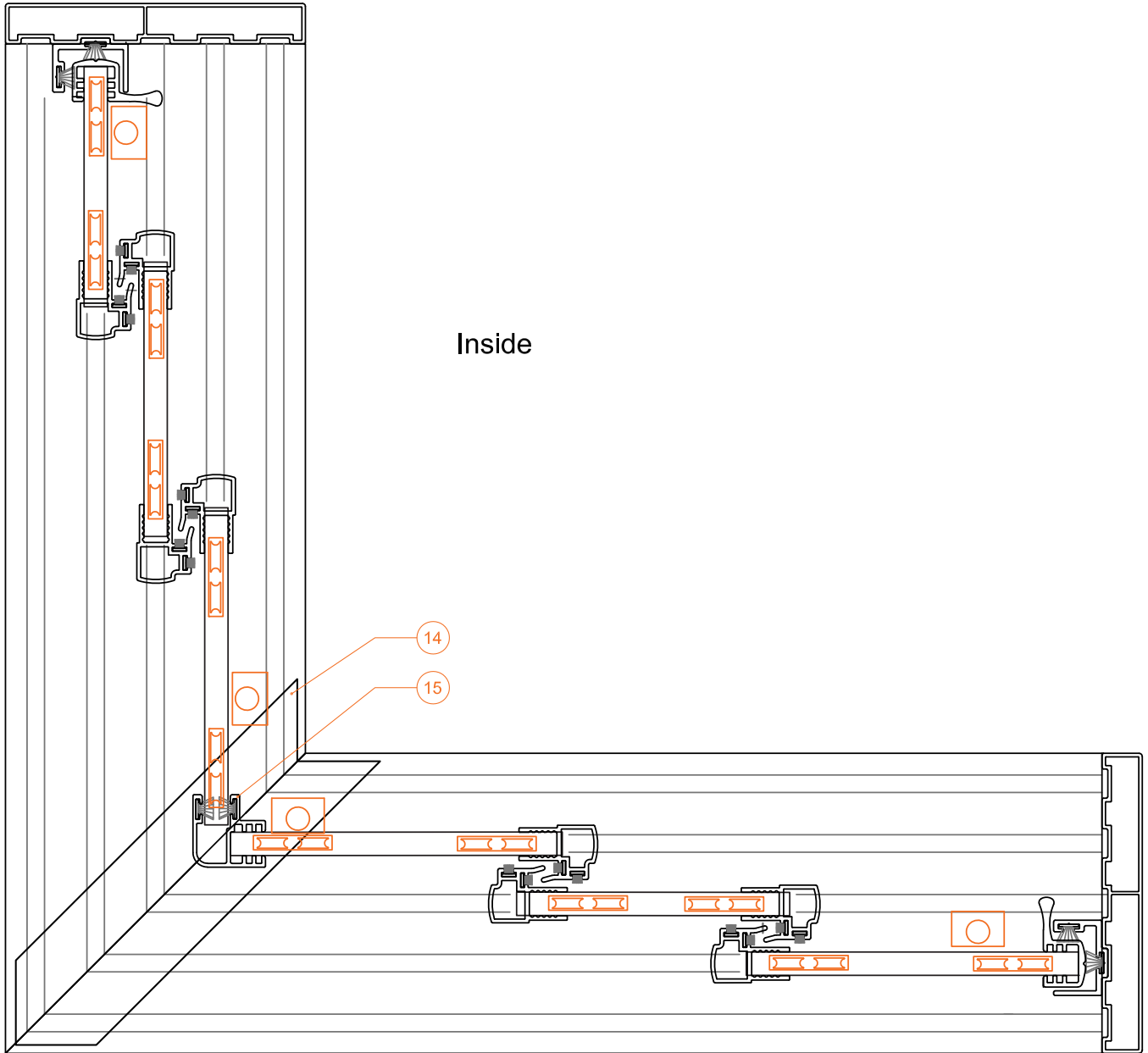
ARISTA MINOR Front View



Scale: 1/2

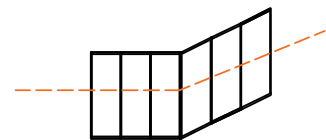
Double Glazed High Threshold Sliding System

ARISTA MINOR



Outside

Section



14	KPS-90BKRAE 06
15	KPS-90ÇE-9

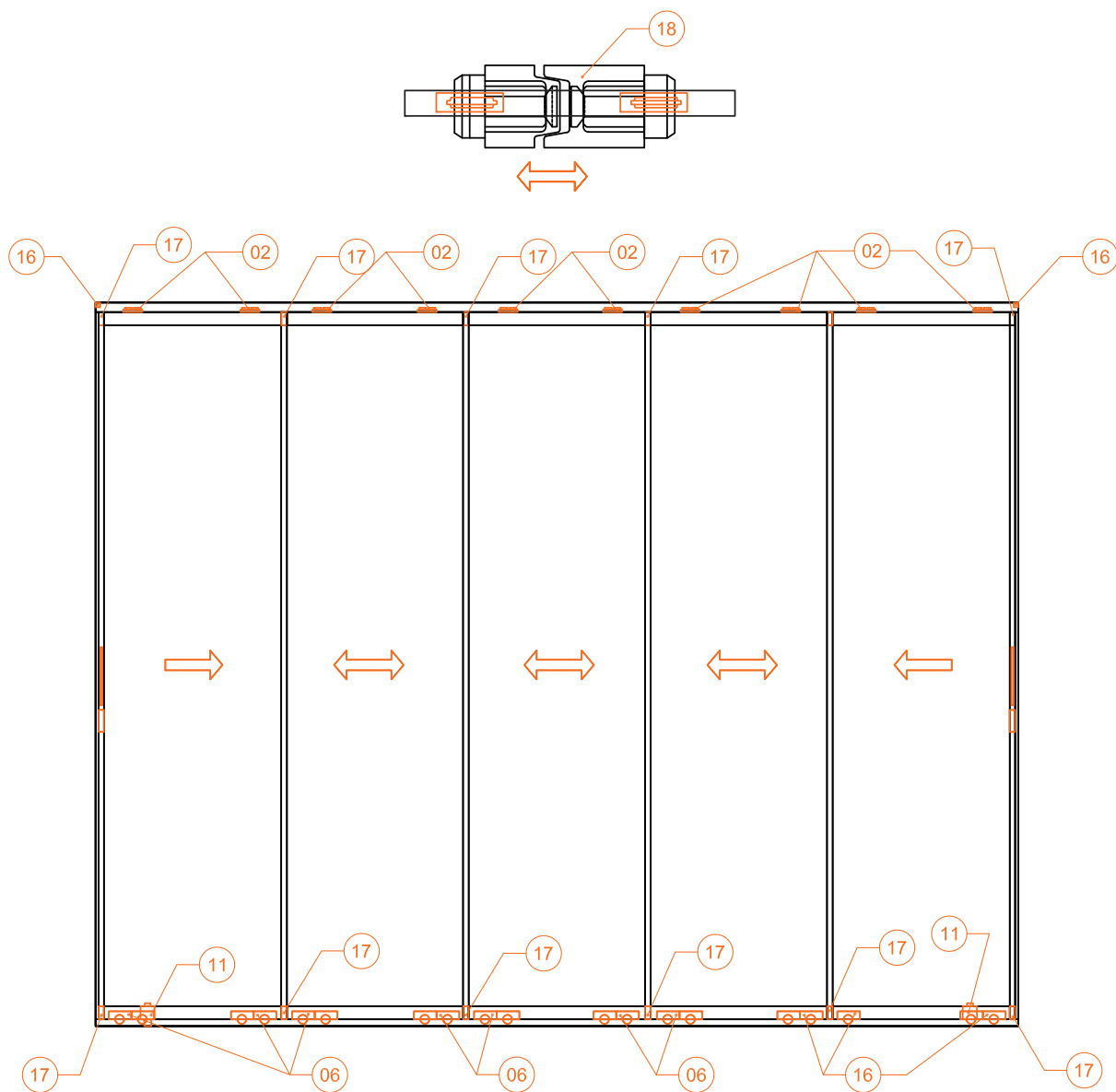
ARISTA MINOR Front View



Scale: 1/2

Double Glazed High Threshold Sliding System

ARISTA MINOR



Front View

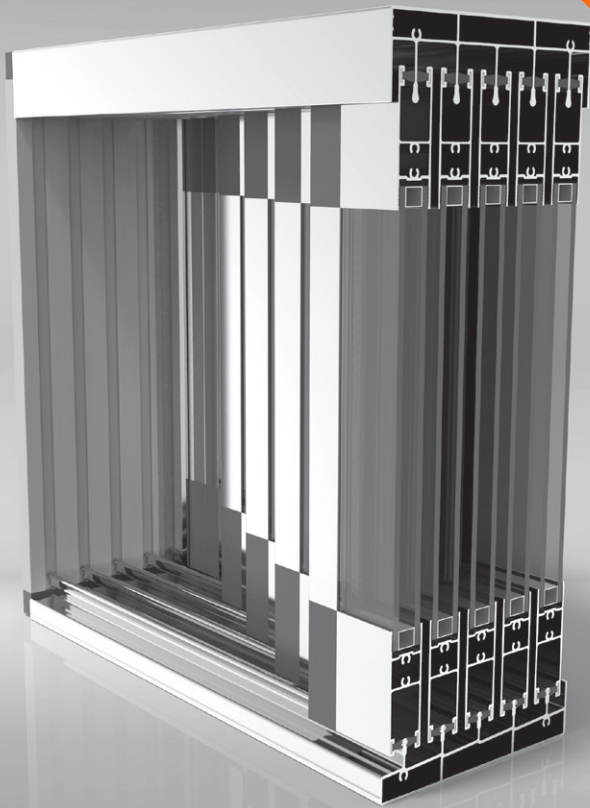
02	KPS-ÜSTEİ-02	16	KPS-YKSEİ-04
06	KPS-ALTEİ-01	17	KPS-DKEİ-05
11	KPS-KLTEİ-03	18	KPS-ABKEİ-10



ARISTA MINOR

ARISTA

Double Glazed High Threshold Sliding System



ARISTA Technical Properties



Double Glazed High Threshold Sliding System

ARISTA

Profile Technical Properties

Bottom Rail Profile	156 x 36 mm
Wall Thickness of Bottom Rail Profile	2,2 mm
Top and Bottom Panel Profile	24 x 73 mm
Wall Thickness of Panel Profile	1,3 mm
Top Rail Profile	156 x 47 mm
Wall Thickness of Top Rail Profile	1,7 mm

Technical Properties Roof

System Height	3200 mm
Panel Width	6000 mm
Glass Thickness	20 mm Double Glass
Glass Type	Tempered / Laminated
Profile Colors (In Stock)	Anodized, Press
Panel Cap Colors (In Stock)	Grey, Black

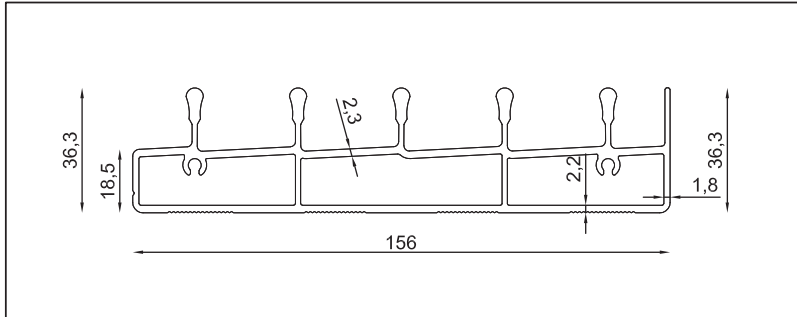
ARISTA Profiles

Scale: 1/2



Double Glazed High Threshold Sliding System

ARISTA



Profile Name:

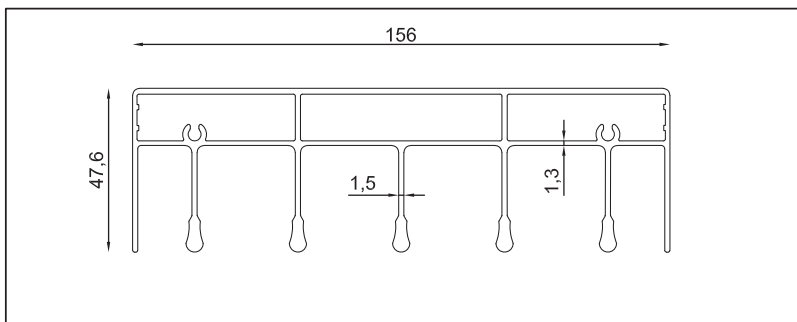
Bottom Rail

Code Nr.:

KP-ISICAM-AR-2

Weight kg/m:

16,44 kg - 6,50 m - (2,52 kg/m)



Profile Name:

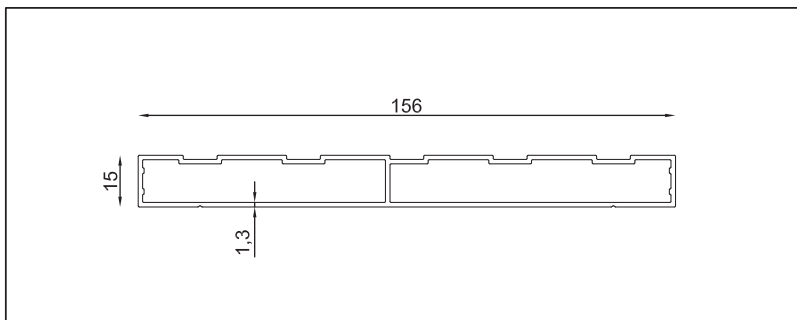
Top Rail

Code Nr.:

KP-ISICAM-ÜR-4

Weight kg/m:

18,00 kg - 6,50 m - (2,77 kg/m)



Profile Name:

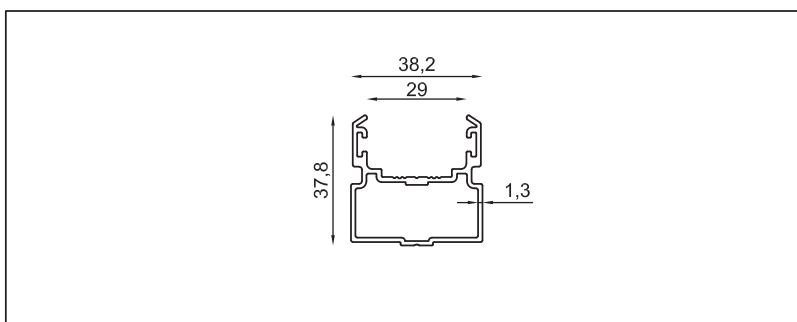
Side Jamb Profile

Code Nr.:

KP-ISICAM-YK-5

Weight kg/m:

8,28 kg - 6,50 m - (1,27 kg/m)



Profile Name:

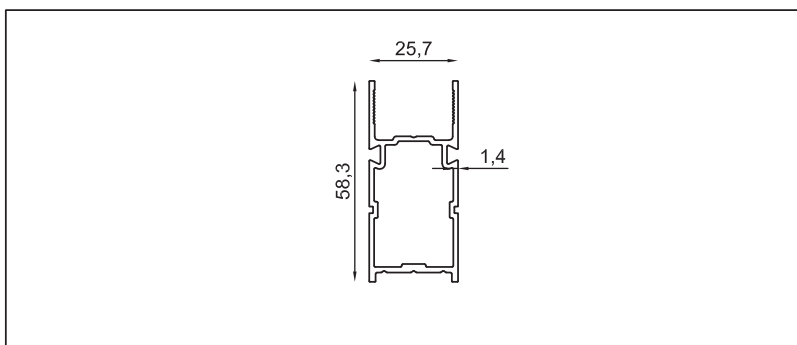
Side Jamb Lock Strip

Code Nr.:

KP-ISICAM-YÇ-6

Weight kg/m:

4,22 kg - 6,50 m - (0,65 kg/m)



Profile Name:

Lock Panel Strip

Code Nr.:

KP-ISICAM-KBÇ-9

Weight kg/m:

4,09 kg - 6,50 m - (0,63 kg/m)

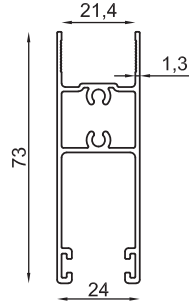
ARISTA Profiles



Scale: 1/2

Double Glazed High Threshold Sliding System

ARISTA



Profile Name:

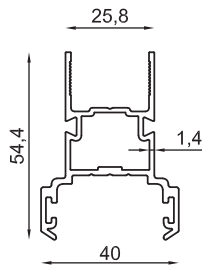
Top - Bottom Panel

Code Nr.:

KP-ISICAM-AÜB-1

Weight kg/m:

5,52 kg - 6,50 m - (0,85 kg/m)



Profile Name:

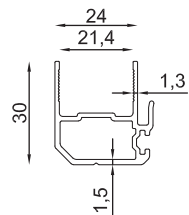
Strike Plate Strip

Code Nr.:

KP-ISICAM-KKÇ-8

Weight kg/m:

4,68 kg - 6,50 m - (0,72 kg/m)



Profile Name:

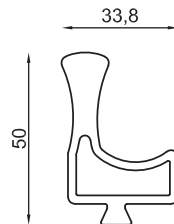
Side Frame Profile

Code Nr.:

KP-ISICAM-ÇBÇ-7

Weight kg/m:

3,10 kg - 6,50 m - (0,47 kg/m)



Profile Name:

Pull Handle

Code Nr.:

KPI-EŞİKSİZ-ÇK-19

Weight kg/m:

2,08 kg - 6,50 m - (0,32 kg/m)

Profile Name:

Code Nr.:

Weight kg/m:

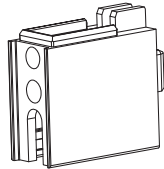
ARISTA Accessory



Scale: 1/2

Double Glazed High Threshold Sliding System

ARISTA



Profile Name:

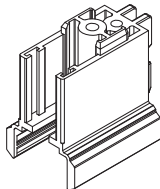
Lock Strip Cap

Code Nr.:

KPI-KBK-ORTAK-11

Material:

Polyamide



Profile Name:

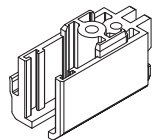
Strike Plate Strip Cap

Code Nr.:

KPI-KKBK-ORTAK-12

Material:

Polyamide



Profile Name:

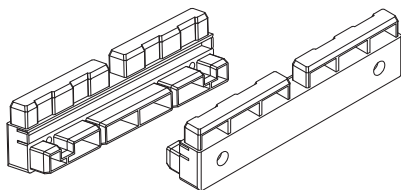
Middle Panel Pull Cap

Code Nr.:

KPI-AÇK-ORTAK-13

Material:

Polyamide



Profile Name:

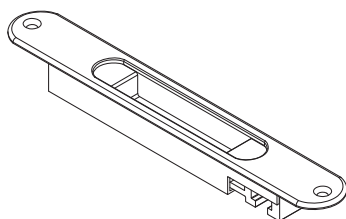
Side Jump Apparatus

Code Nr.:

KPI-YKA-ORTAK-14

Material:

Polyamide



Profile Name:

Flush Mount Lock

Code Nr.:

KPI-GK-ORTAK-17

Material:

Zamac

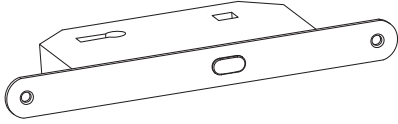
ARISTA Accessory



Scale: 1/2

Double Glazed High Threshold Sliding System

ARISTA



Profile Name:

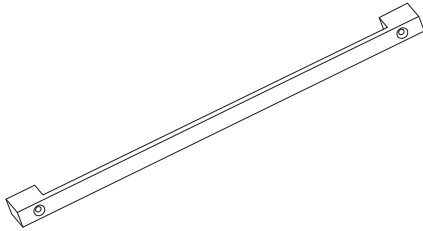
Hocked Lock

Code Nr.:

KPI-HK-ORTAK-18

Material:

Zamac



Profile Name:

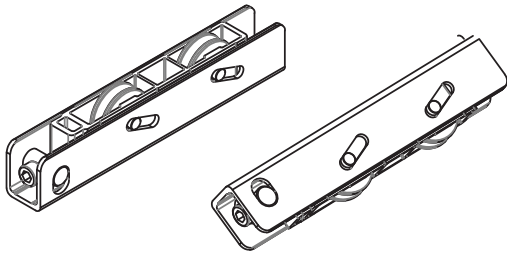
Panel Handle

Code Nr.:

KPI-ÇK-ORTAK-19

Material:

Zamac



Profile Name:

Low Threshold Wheel

Code Nr.:

KPI-AET-EŞİKLİ-20

Material:

Steel - Polyamide



Profile Name:

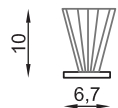
Brush 6.7 / 600

Code Nr.:

KP-KFİT600-1001

Material:

PVC



Profile Name:

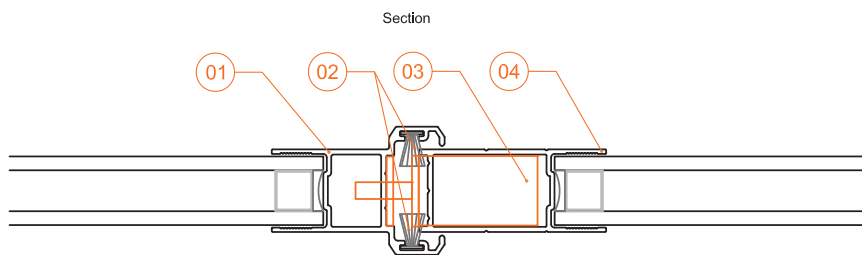
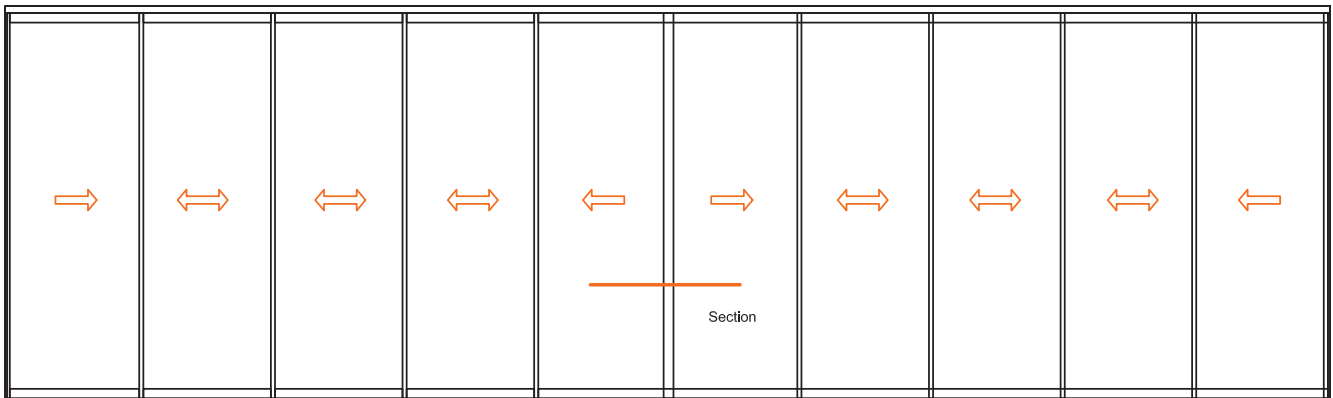
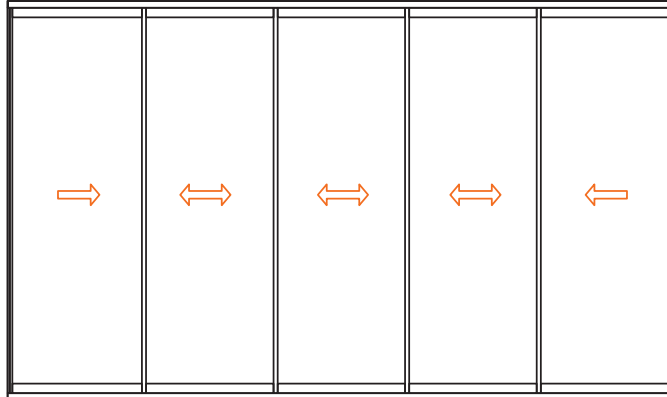
Brush 6.7 / 1000

Code Nr.:

KPO-KFİT1000-1002

Material:

PVC



01	KP-HEAT GLASS-KKÇ-8	04	KP-HEAT GLASS-KBÇ-9
02	KP-KFIT600-1001		
03	KPI- HK-ORTAK-18		

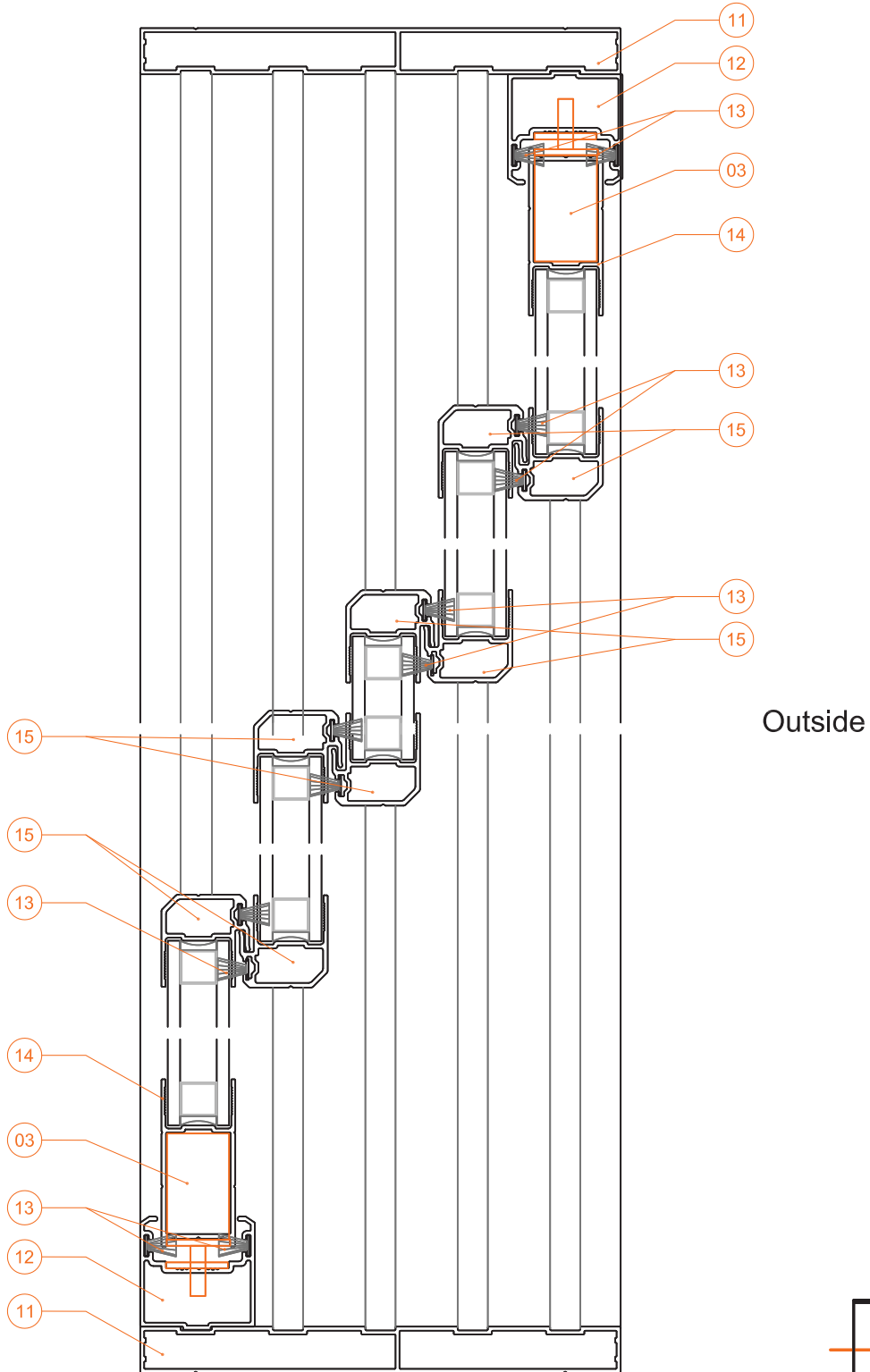
ARISTA Section

Scale: 1/2



Double Glazed High Threshold Sliding System

ARISTA



03	KPI- HK-PARTNER-18
11	KP-HEAT GLASS-YK-5
12	KP-HEAT GLASS-YÇ-6

13	KP-KFIT600-1001
14	KP-HEAT GLASS-KBÇ-9
15	KP-HEAT GLASS-ÇBÇ-7

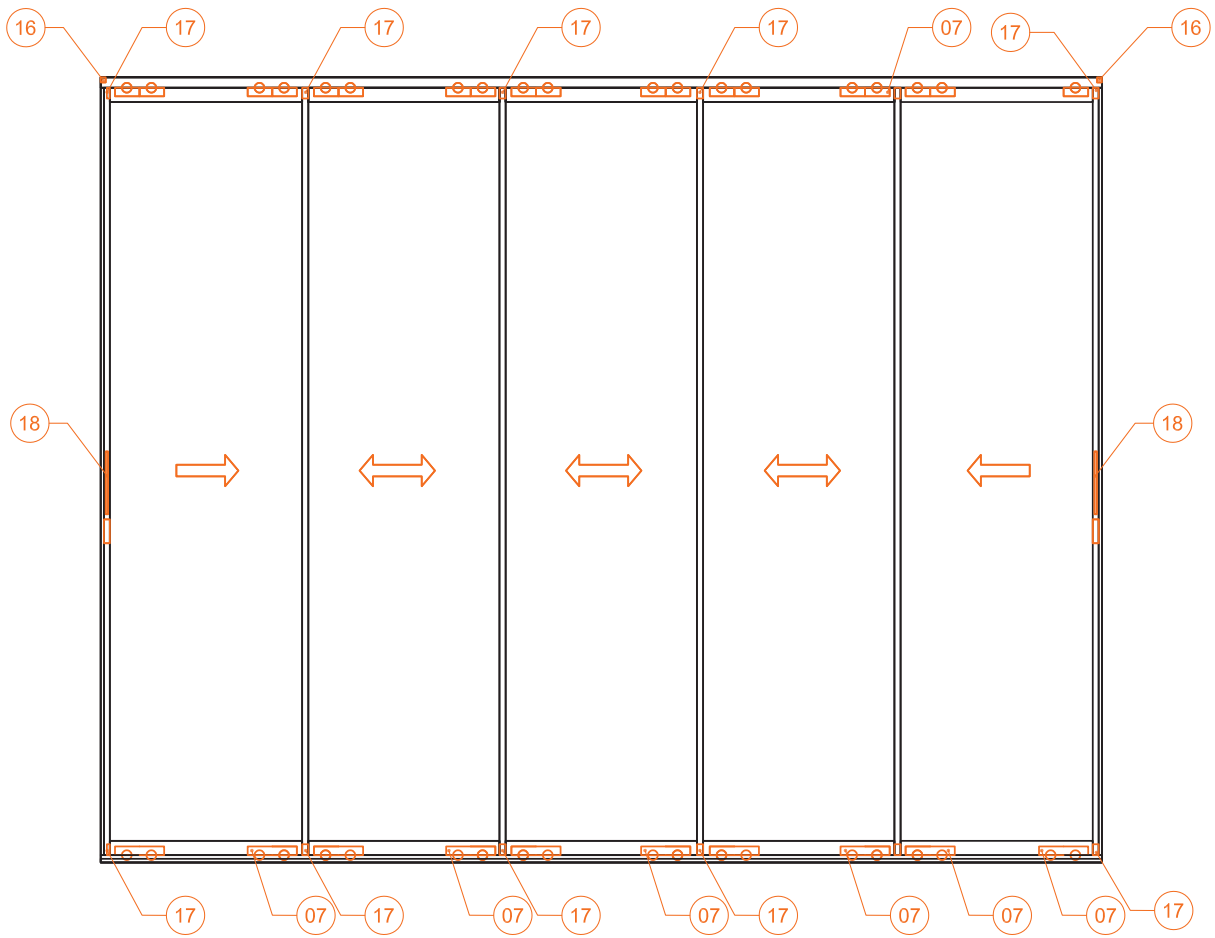
ARISTA Front View



Scale: 1/2

Double Glazed High Threshold Sliding System

ARISTA



Front View

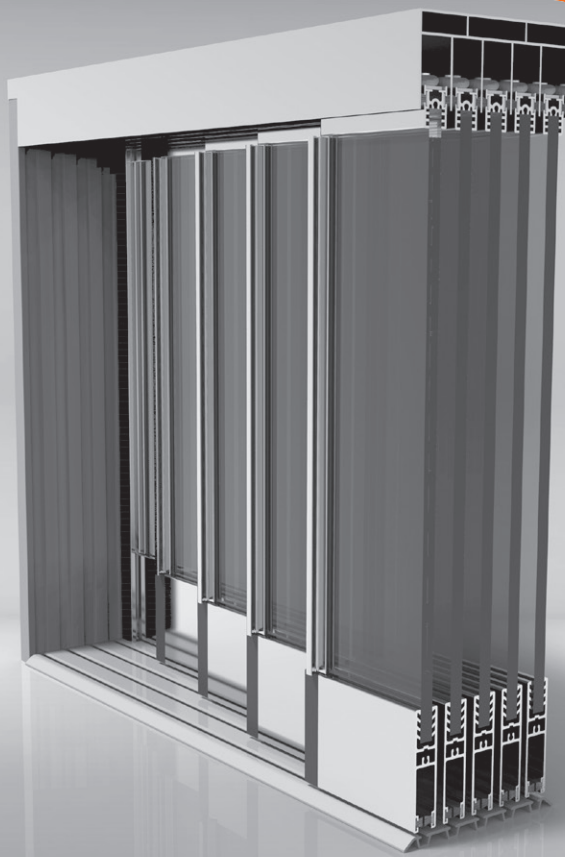
07	KPI-AET- EŞİKLİ-20	18	KPI-ÇK-ORTAK-19
16	KPI-YKA-ORTAK-14		
17	KPI-AÇK-ORTAK-13		



ARISTA

ALECTO MINOR

Single Glazed Flat Threshold Sliding System



ALECTO MINOR Technical Properties



Single Glazed Flat Threshold Sliding System

ALECTO MINOR

Profile Technical Properties

Rail Profile 6,8 x 109 mm

Wall Thickness of Rail Profile 1,7 mm

Panel Profile 16 x 80 mm

Wall Thickness of Panel Profile 1,7 mm

Technical Properties Roof

System Height 2500 - 3000 mm

Panel Width 800 - 1000 mm

Glass Thickness 8 mm

Glass Type Tempered / Laminated

Profile Colors (In Stock) Anodized, Bronze, Press

Panel Cap Colors (In Stock) Grey, Black

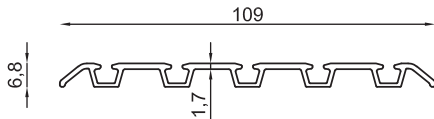
ALECTO MINOR Profiles

Scale: 1/2



Single Glazed Flat Threshold Sliding System

ALECTO MINOR



Profile Name:

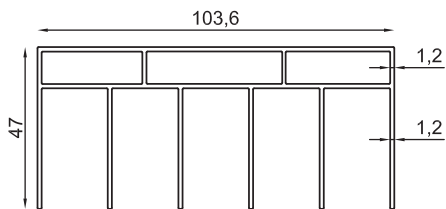
Bottom Rail

Code Nr.:

KPS-AR-4

Weight kg/m:

4,50 kg - 6,50 m - (0,69 kg/m)



Profile Name:

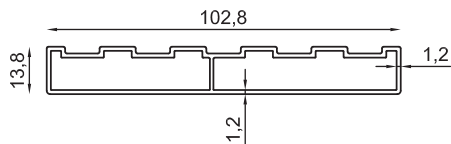
Top Rail

Code Nr.:

KPS-ÜR-6

Weight kg/m:

10,80 kg - 6,50 m - (1,67 kg/m)



Profile Name:

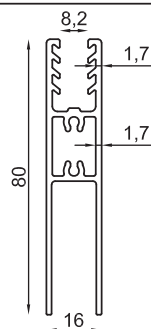
Side Jamb Profile

Code Nr.:

KPS-YK-5

Weight kg/m:

5,50 kg - 6,50 m - (0,85 kg/m)



Profile Name:

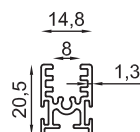
Bottom O-Panelprofil

Code Nr.:

KPS-AB-8

Weight kg/m:

5,90 kg - 6,00 m - (0,99 kg/m)



Profile Name:

Top Panel Profile

Code Nr.:

KPS-ÜB-7

Weight kg/m:

1,80 kg - 6,00 m - (0,30 kg/m)

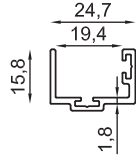
ALECTO MINOR Profiles



Scale: 1/2

Single Glazed Flat Threshold Sliding System

ALECTO MINOR



Profile Name:

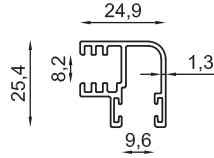
Side Jamb Bar

Code Nr.:

KPS-YÇ-2

Weight kg/m:

1,70 kg - 6,00 m - (0,28 kg/m)



Profile Name:

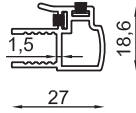
90° Corner / 90° Köşe

Code Nr.:

KPS-90Ç-9

Weight kg/m:

2,40 kg - 6,00 m - (0,40 kg/m)



Profile Name:

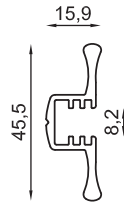
Intermediate Bar

Code Nr.:

KPS-AÇ-3

Weight kg/m:

2,40 kg - 6,00 m - (0,40 kg/m)



Profile Name:

First Panel Grab Profile

Code Nr.:

KPS-İKÇ-1

Weight kg/m:

2,90 kg - 6,00 m - (0,48 kg/m)

Profile Name:

First Panel Grab Profile

Code Nr.:

KPS-AR-4

Weight kg/m:

4,50 kg - 6,50 m - (0,69 kg/m)

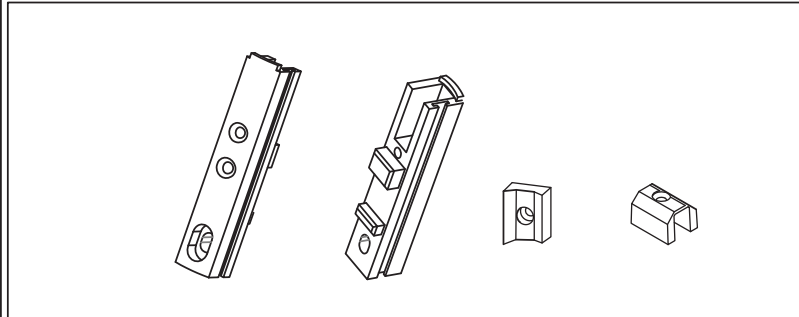
ALECTO MINOR Profiles

Scale: 1/2



Single Glazed High Threshold Sliding System

ALECTO MINOR



Profile Name:

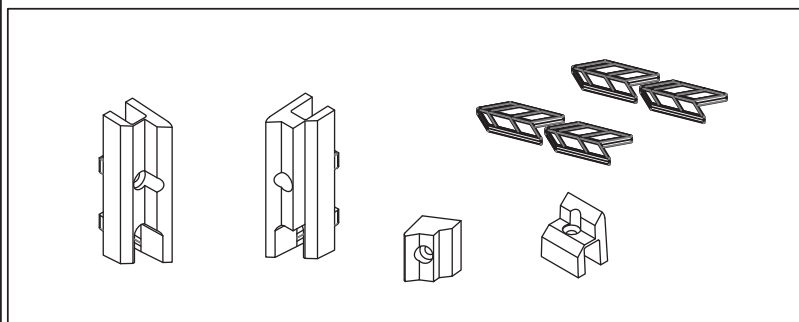
Panel Cap

Code Nr.:

KPS-DZK-05

Material

Polyamide



Profile Name:

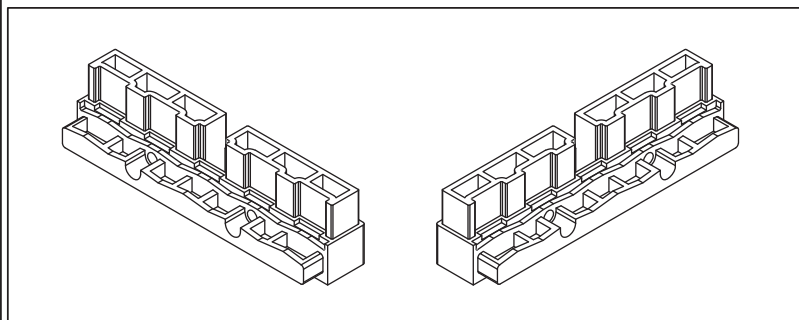
90° Corner Cap

Code Nr.:

KPS-90BKRA-06

Material

Polyamide



Profile Name:

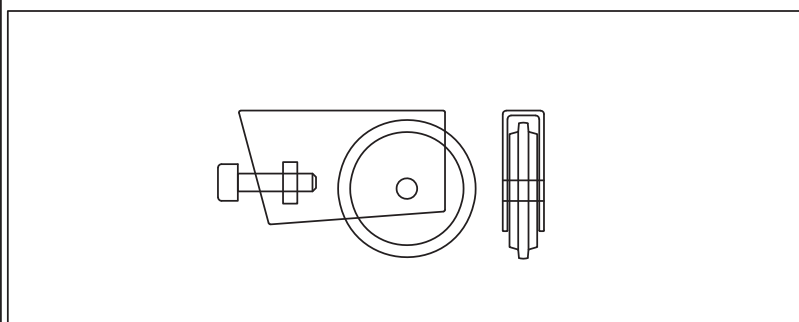
Side Jump Upper Apparatus

Code Nr.:

KPS-YKÜ-04

Material:

Polyamide



Profile Name:

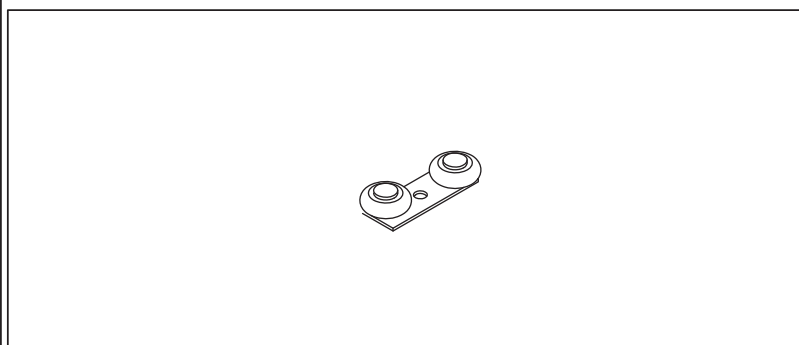
Lower Wheel

Code Nr.:

KPS-ALT-01

Material:

Steel - Polyamide



Profile Name:

Top Wheel System

Code Nr.:

KPS-ÜST-02

Material:

Steel - Polyamide

ALECTO MINOR Profiles

Scale: 1/2



Single Glazed High Threshold Sliding System

ALECTO MINOR

Profile Name:

Panel Lock

Code Nr.:

KPS-KLT-03

Material:

Polyamide

Profile Name:

Interconnection Cover

Code Nr.:

KPS-ABK-10

Material:

Polyamide

Profile Name:

Brush 6.7 / 600

Code Nr.:

KP-KFIT600-1001

Material:

PVC

Profile Name:

Brush 6.8 / 1000

Code Nr.:

KPO-KFIT1000-1002

Material:

PVC

Profile Name:

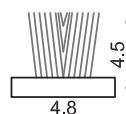
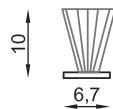
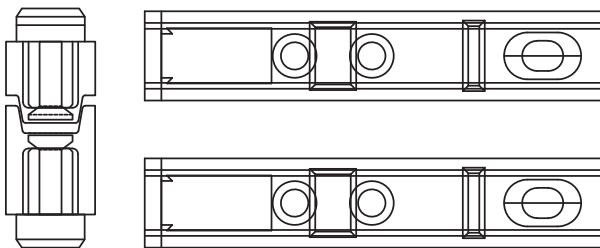
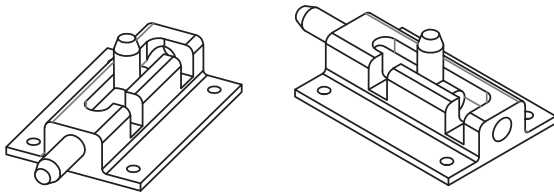
Brush 4.8 / 450

Code Nr.:

KPO-KFIT-450-1003

Material:

PVC



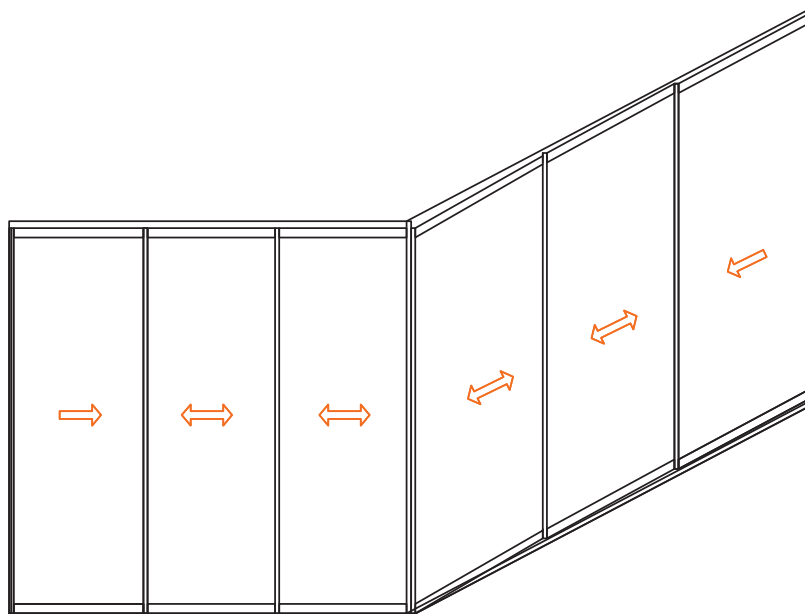
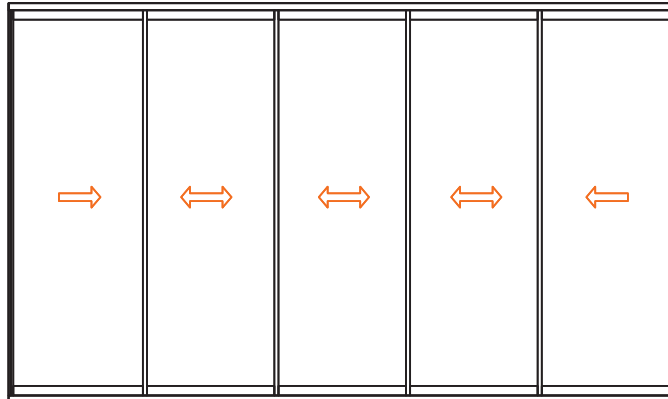
ALECTO MINOR

Scale: 1/2



Single Glazed Flat Threshold Sliding System

ALECTO MINOR



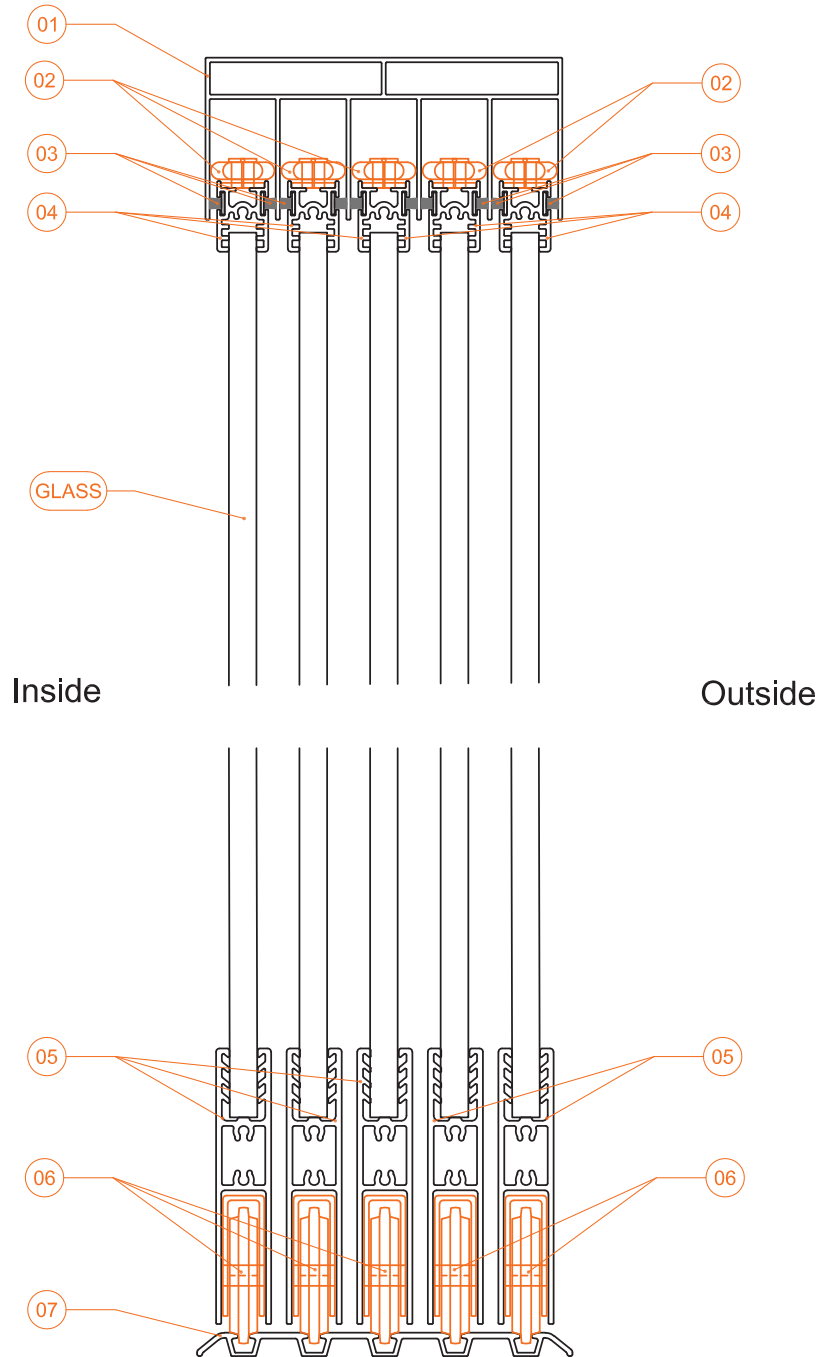
ALECTO MINOR Section



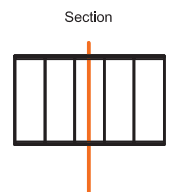
Scale: 1/2

Single Glazed Flat Threshold Sliding System

ALECTO MINOR



01	KPS-ÜR-6	04	KPS-ÜB-7	07	KPS-AR-4
02	KPS-ÜST-02	05	KPS-AB-8		
03	KP-KFİT1000-1002	06	KPS-ALT-01		



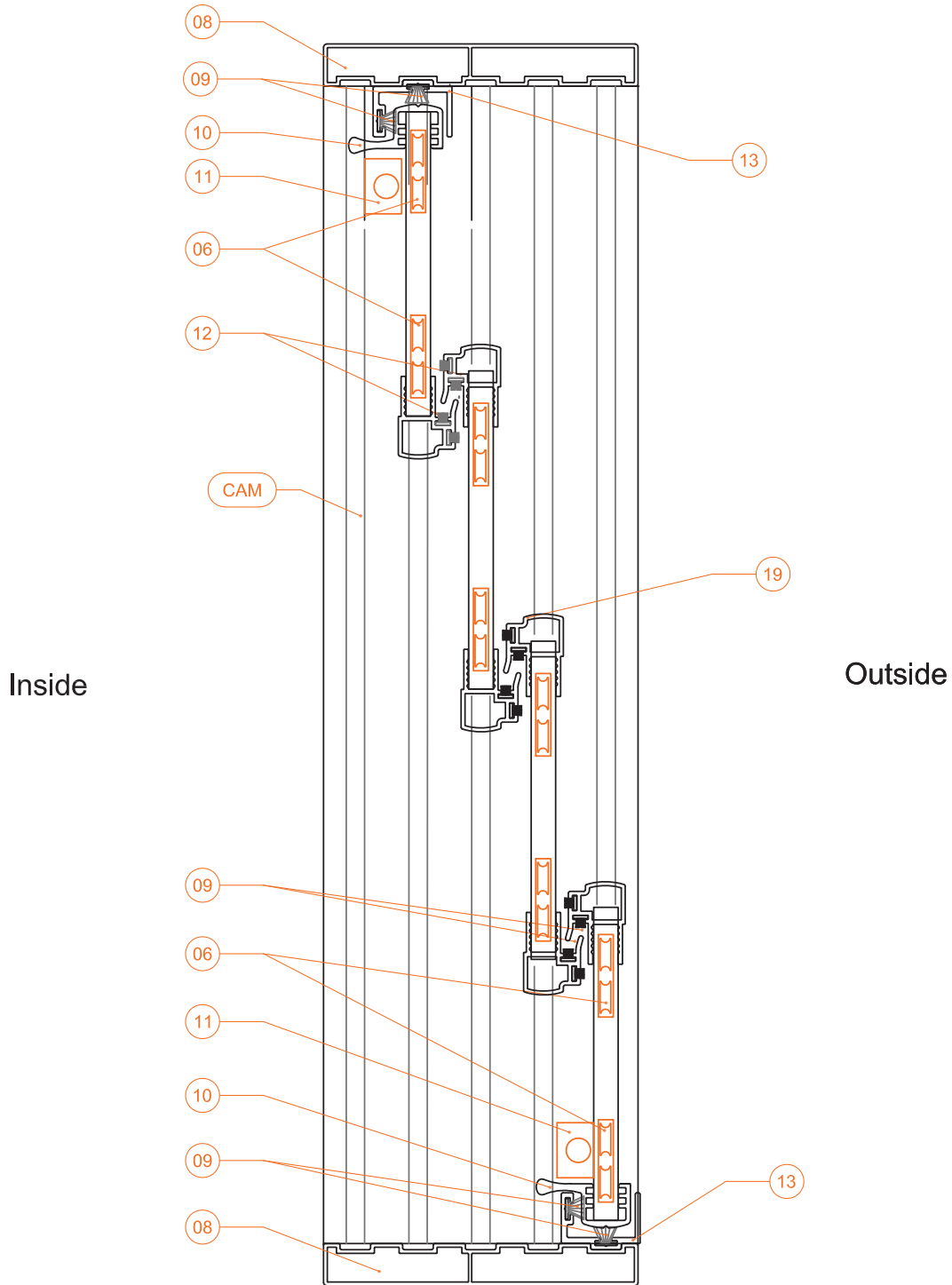
ALECTO MINOR Section



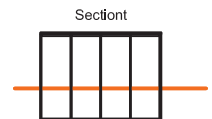
Scale: 1/2

Single Glazed Flat Threshold Sliding System

ALECTO MINOR



06	KPS-ALT-01	10	KPS-İKÇ-1
08	KPS-YK-5	11	KPS-KLT-03
09	KP-KFIT600-1001	12	KPS-AÇ-3



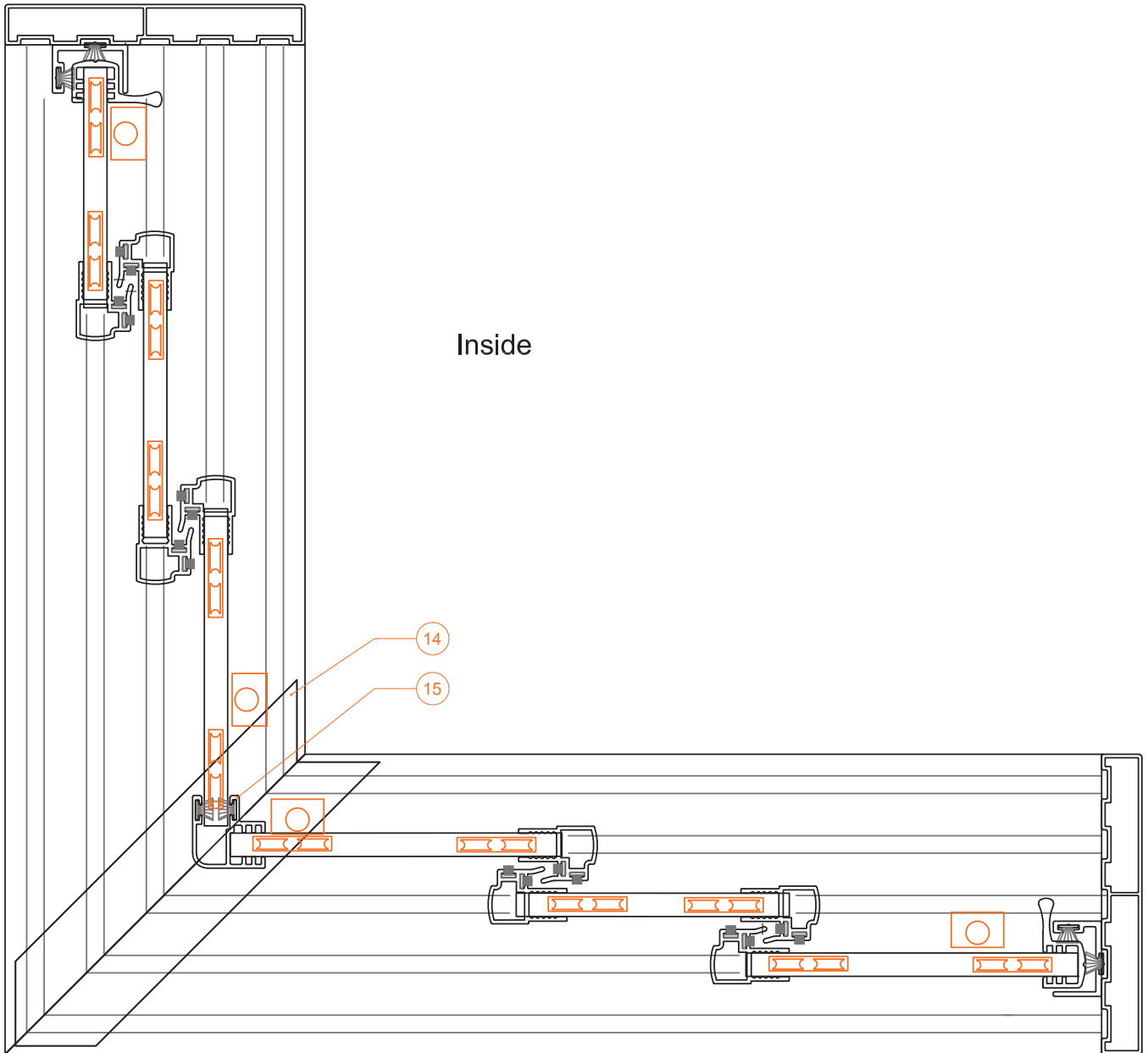
ALECTO MINOR Front View



Scale: 1/2

Single Glazed Flat Threshold Sliding System

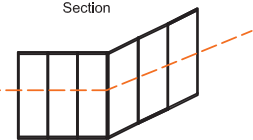
ALECTO MINOR



Outside

Section

14	KPS-90BKRA-06
15	KPS-90Ç-9



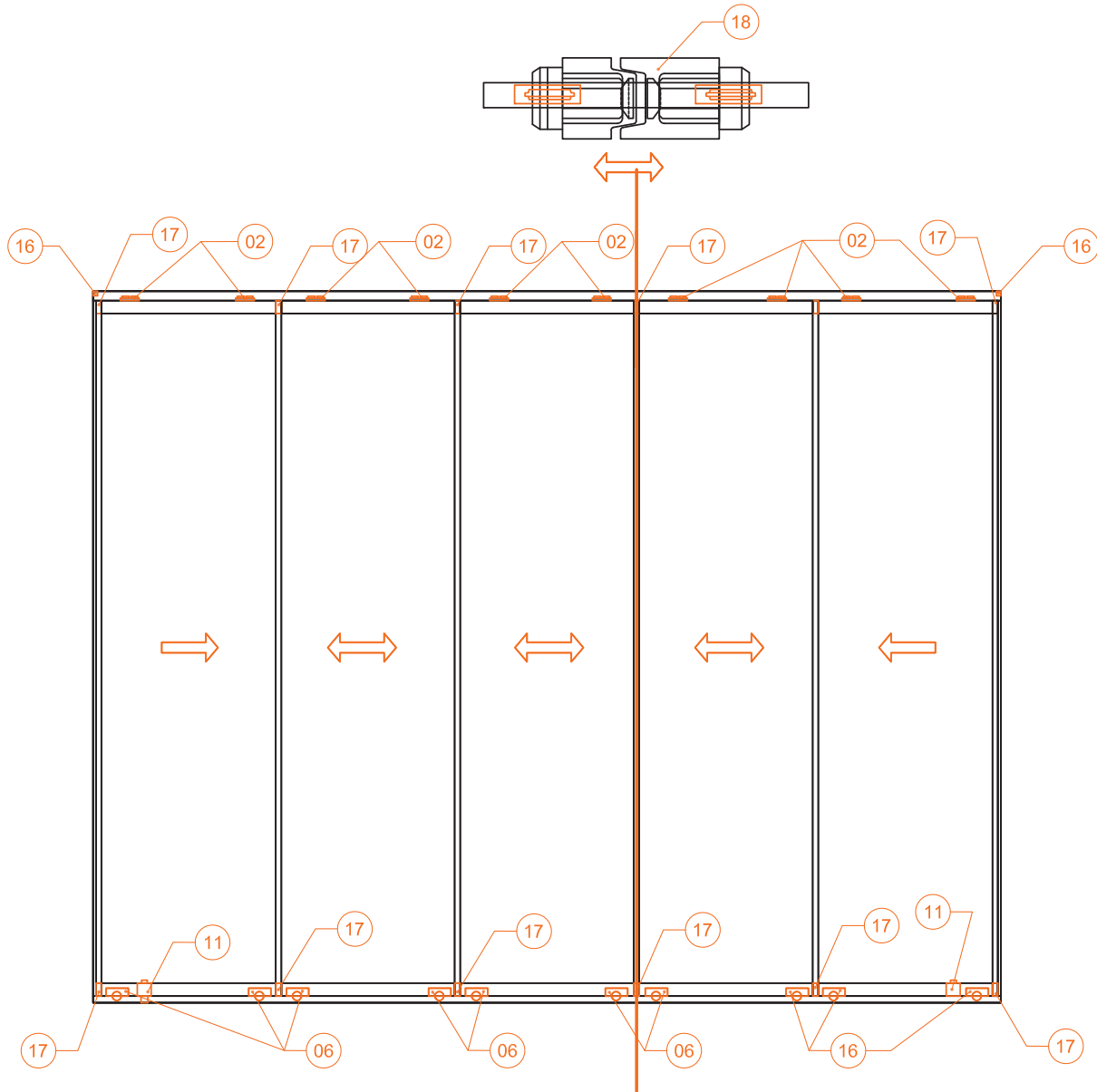
ALECTO MINOR Front View



Scale: 1/2

Single Glazed Flat Threshold Sliding System

ALECTO MINOR



Front View

02	KPS-ÜST-02	16	KPS-YKÜ-04
06	KPS-ALT-01	17	KPS-DZK-05
11	KPS-KLT-03	18	KPS-ABK-10



ALECTO MINOR

ALECTO

Double Flat High Threshold Sliding System



ALECTO Technical Properties



Double Flat High Threshold Sliding System

ALECTO

Profile Technical Properties

Rail Profile 6,8 x 159 mm

Wall Thickness of Rail Profile 1,75 mm

Panel Profile 24 x 73 mm

Wall Thickness of Panel Profile 1,3 mm

Technical Properties Roof

System Height 3000 - 3500 mm

Panel Width 1000 - 1300 mm

Glass Thickness 4 x 20 x 4 mm

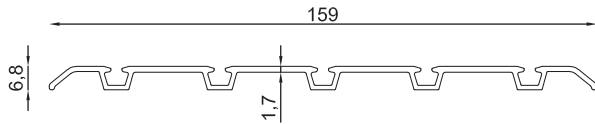
Glass Type Tempered / Laminated

Profile Colors (In Stock) Anodized, Bronze, Press

Panel Cap Colors (In Stock) Grey, Black

Double Flat High Threshold Sliding System

ALECTO



Profile Name:

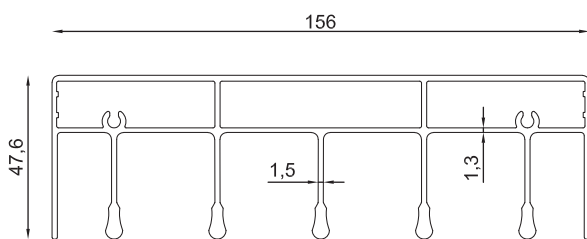
Bottom Rail

Code Nr.:

KP-ISICAM-AR-3

Weight kg/m:

5,98 kg - 6,50 m - (0,92 kg/m)



Profile Name:

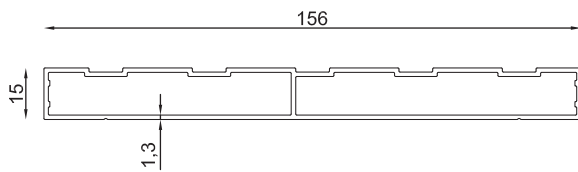
Top Rail

Code Nr.:

KP-ISICAM-ÜR-4

Weight kg/m:

18,00 kg - 6,50 m - (2,77 kg/m)



Profile Name:

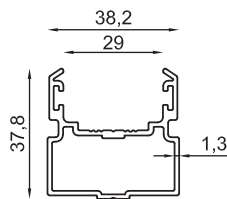
Side Jamb Profile

Code Nr.:

KP-ISICAM-YK-5

Weight kg/m:

8,28 kg - 6,50 m - (1,27 kg/m)



Profile Name:

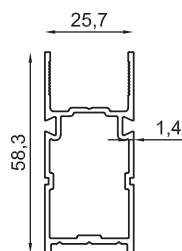
Side Jamb Lock Strip

Code Nr.:

KP-ISICAM-YÇ-6

Weight kg/m:

4,22 kg - 6,50 m - (0,65 kg/m)



Profile Name:

Lock Panel Strip

Code Nr.:

KP-ISICAM-KBÇ-9

Weight kg/m:

4,09 kg - 6,50 m - (0,63 kg/m)

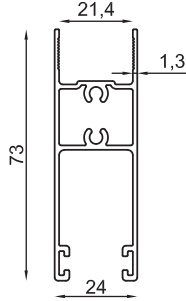
ALECTO Profiles



Scale: 1/2

Double Flat High Threshold Sliding System

ALECTO



Profile Name:

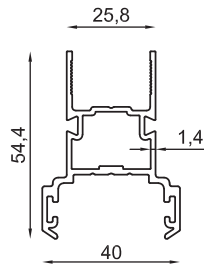
Top - Bottom Panel

Code Nr.:

KP-ISICAM-AÜB-1

Weight kg/m:

5,52 kg - 6,50 m - (0,85 kg/m)



Profile Name:

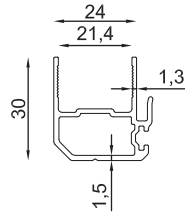
Strike Plate Strip

Code Nr.:

KP-ISICAM-KKÇ-8

Weight kg/m:

4,68 kg - 6,50 m - (0,72 kg/m)



Profile Name:

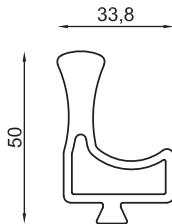
Side Frame Profile

Code Nr.:

KP-ISICAM-ÇBÇ-7

Weight kg/m:

3,10 kg - 6,50 m - (0,47 kg/m)



Profile Name:

Pull Handle

Code Nr.:

KPI-EŞİKSİZ-ÇK-19

Weight kg/m:

2,08 kg - 6,50 m - (0,32 kg/m)

Profile Name:

Bottom Profile

Code Nr.:

Weight kg/m:

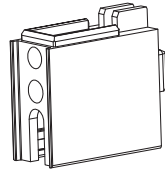
ALECTO Accessory



Scale: 1/2

Double Flat High Threshold Sliding System

ALECTO



Profile Name:

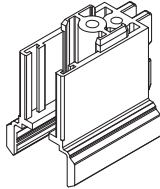
Lock Strip Cap

Code Nr.:

KPI-KBK-ORTAK-11

Material:

Polyamide



Profile Name:

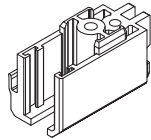
Strike Plate Strip Cap

Code Nr.:

KPI-KKBK-ORTAK-12

Material:

Polyamide



Profile Name:

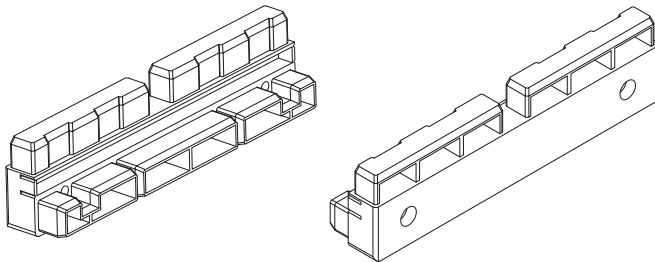
Middle Panel Pull Cap

Code Nr.:

KPI-AÇK-ORTAK-13

Material:

Polyamide



Profile Name:

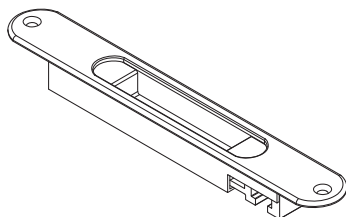
Side Jump Apparatus

Code Nr.:

KPI-YKA-ORTAK-14

Material:

Polyamide



Profile Name:

Flush Mount Lock

Code Nr.:

KPI-GK-ORTAK-17

Material:

Zamac

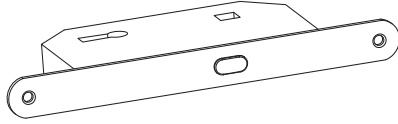
ALECTO Accessory



Scale: 1/2

Double Flat High Threshold Sliding System

ALECTO



Profile Name:

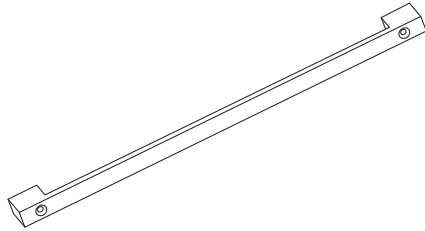
Hocked Lock

Code Nr.:

KPI-HK-ORTAK-18

Material:

Zamac



Profile Name:

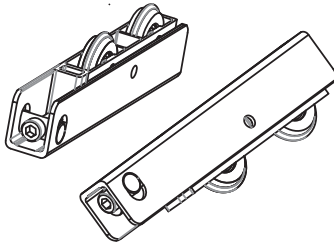
Panel Handle

Code Nr.: / Kod No.:

KPI-ÇK-ORTAK-19

Material:

Zamac



Profile Name:

Low Threshold Wheel

Code Nr.: / Kod No.:

KPI-AET-EŞİKSİZ-21

Material:

Steel - Polyamide



Profile Name:

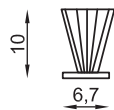
Brush 6.7 / 600

Code Nr.:

KP-KFİT600-1001

Material:

PVC



Profile Name:

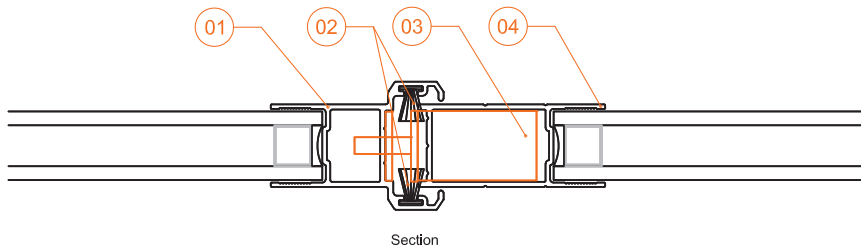
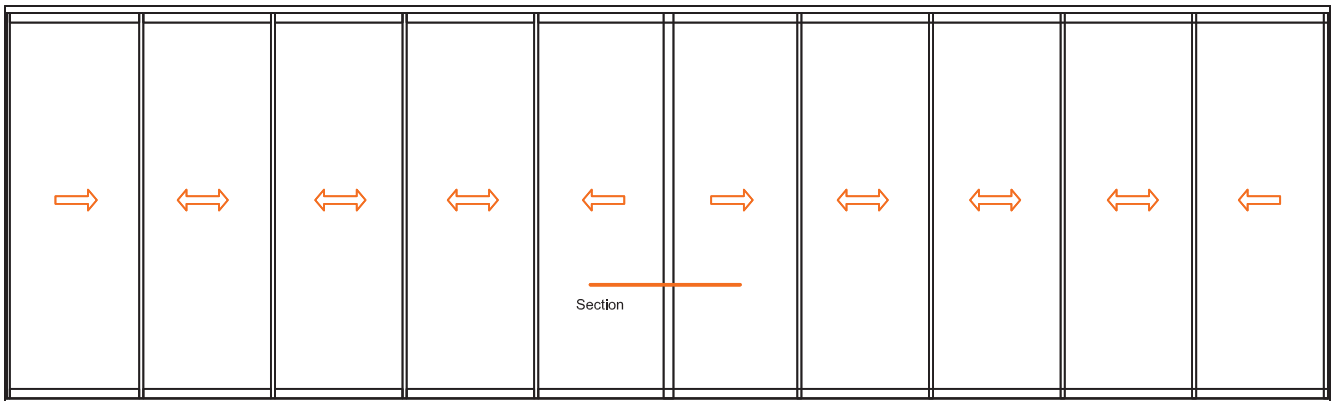
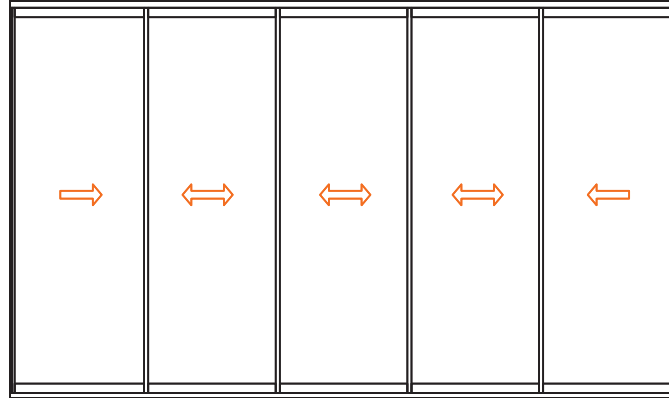
Brush 6.7 / 1000

Code Nr.:

KPO-KFİT1000-1002

Material:

PVC



01 KP-HEAT GLASS-KKÇ-8

04 KP-HEAT GLASS-KBÇ-9

02 KP-KFIT600-1001

03 KPI- HK-PARTNER-18

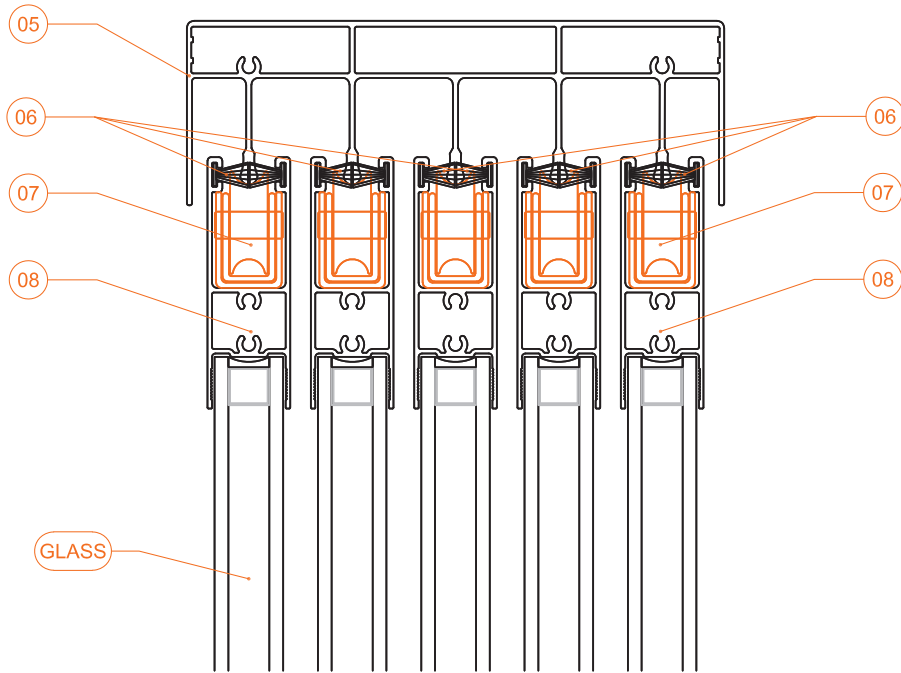
ALECTO Section



Scale: 1/2

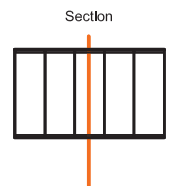
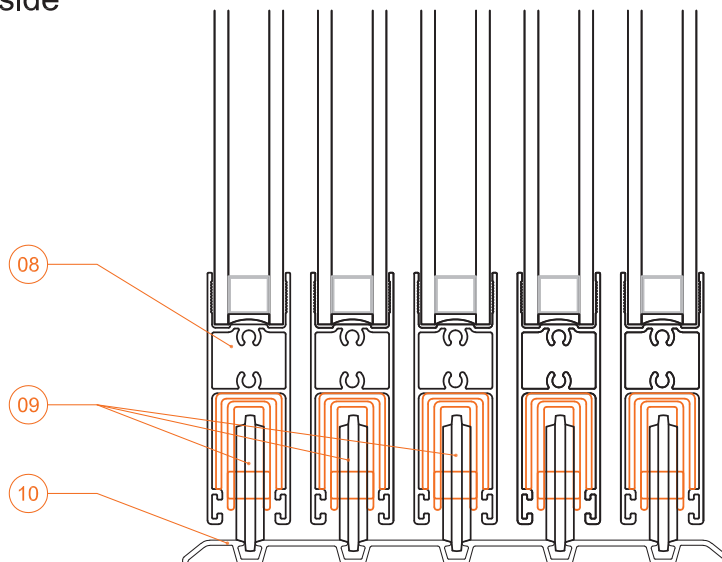
Double Glazed High Threshold Sliding System

ALECTO



Inside

Outside



05	KP-HEAT GLASS-ÜR-4	08	KP-HEALT GLASS-AÜB-1
06	KPO-KFIT1000-1002	09	KPI-AET-NO THRESOLD-21
07	KPI-AET- THRESOLD-20	10	KP-HEAT GLASS-AR-3

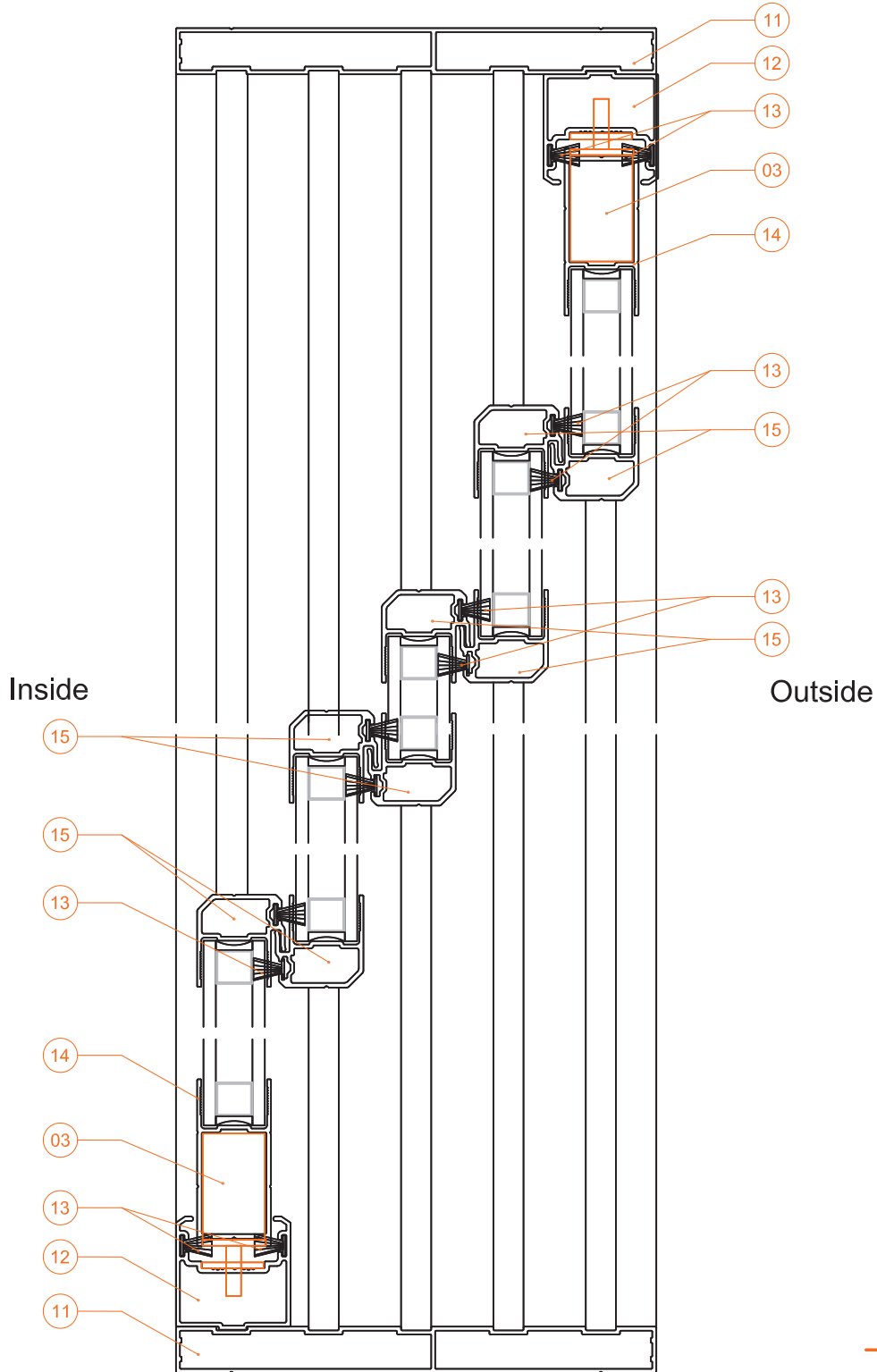
ALECTO Section



Scale: 1/2

Double Glazed High Threshold Sliding System

ALECTO



03	KPI- HK-PARTNER-18	13	KP-KF T600-1001
11	KP-HEAT GLASS-YK-5	14	KP-HEAT GLASS-KBÇ-9
12	KP-HEAT GLASS-YÇ-6	15	KP-HEAT GLASS-ÇBÇ-7

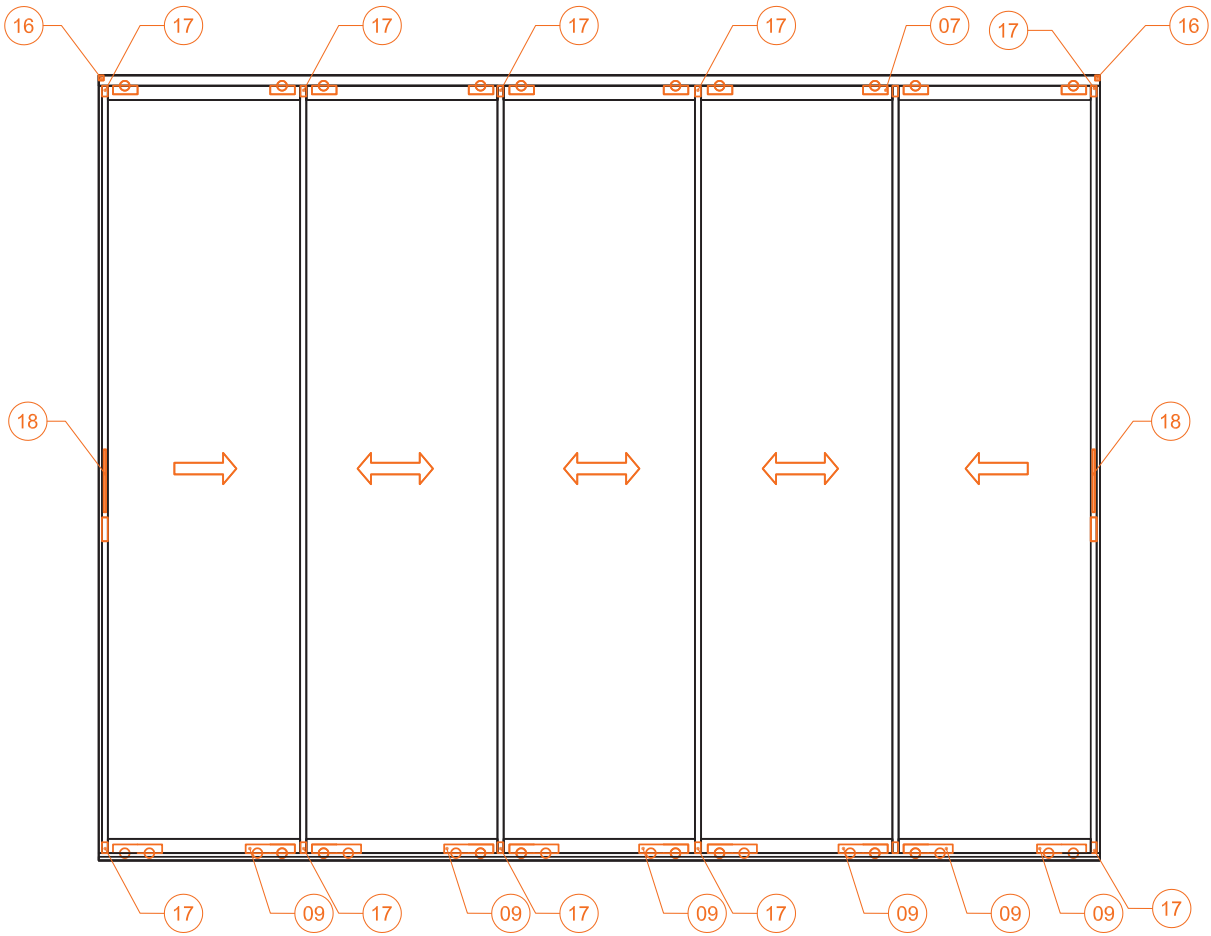
ALECTO Front View



Scale: 1/2

Double Glazed High Threshold Sliding System

ALECTO



Front View

07	KPI-AET- THRESOLD-20	17	KPI-AÇK-PARTNER-13
09	KPI-AET-NO THRESOLD-21	18	KPI-ÇK-PARTNER-19
16	KPI-YKA-PARTNER-14		



OVERVIEW OF THE SYSTEMS

		LYRA	LEO MINOR	LEO	POLAR	ORION	VIRGO
		Single Glazed Folding System	Single Glazed Folding System	Single Glazed Folding System	Double Glazed Folding System	Double Glazed Folding System	Vertical Sliding System
Dimensions	System Height	2000 mm	2500 mm	3000 mm	2500 mm	3000 mm	3000 mm
	Panel Width	650 mm	650 mm	750 mm	650 mm	750 mm	4000 mm
System Operation		Sliding in one track and stacking at sides	Sliding in one track and stacking at sides	Sliding in one track and stacking at sides	Sliding in one track and stacking at sides	Sliding in one track and stacking at sides	Vertical sliding and stacking at top or at the bottom
Glass Type		Tempered/Laminated	Tempered/Laminated	Tempered/Laminated	Tempered/Laminated	Tempered/Laminated	Tempered/Laminated
Glass Thickness		8 mm	8 mm & 10 mm	8 mm & 10 mm	28 mm (4+20+4)	28 mm (4+20+4)	8 mm, 10 mm - 22 mm double glass
In Stock Profile Colours		Anodised, bronze, press	Anodised, bronze, press	Anodised, bronze, press	Anodised, bronze, press	Anodised, bronze, press	Press
In stock accessory colours		Grey, black	Grey, black	Grey, black	Grey, black	Grey, black	Grey, black



VEGA	LIBRA MINOR	LIBRA	ALECTO MINOR	ARISTA MINOR	ALECTO	ARISTA
Vertical Sliding Cleanable System	Top Hanging Folding System	Top Hanging Folding System	Single Glazed Flat Threshold Sliding System	Single Glazed High Threshold Sliding System	Double Glazed Flat Threshold Sliding System	Double Glazed High Threshold Sliding System
3000 mm	3000 mm	4500 mm	2900 mm	2900 mm	3000 mm	3000 mm 3000 mm
4000 mm	1000 mm	1200 mm	1000 mm	1000 mm	1000 mm	1000 mm
Vertical sliding stacking at the bottom	Sliding in one track and stacking at a parking bay	Sliding in one track and stacking at a parking bay	Horizontal slide in consecutive tracks	Horizontal slide in consecutive tracks	Horizontal slide in consecutive tracks	Horizontal slide in consecutive tracks
Tempered/Laminated	Tempered/Laminated	Tempered/Laminated	Tempered/Laminated	Tempered/Laminated	Tempered/Laminated	Tempered/Laminated
8 mm, 10 mm - 22 mm double glass	8 mm & 10 mm	10 mm	8 mm	8 mm	21 mm double glass	21 mm double glass
Press	Anodised, press	Anodised, press	Anodised, press	Anodised, press	Anodised, press	Anodised, press
Grey, black	Black	Anodised, electrostatic powder painted	Grey, black	Grey, black	Grey, black	Grey, black



Ağaç İşleri Yapı Koop. 2254. Cd. 1362. Sk. No: 20
Ostim-Yenimahalle/ANKARA-TÜRKİYE
T. +90 312 394 20 08 | F. +90 312 394 20 09
E. info@kupaglazing.com | bilgi@kupacambalkon.com
W. kupaglazing.com | kupacambalkon.com

