

HIGOLD®
AUSTRALIA

PRODUCT COLLECTION



WORLD LEADING
KITCHEN AND WARDROBE HARDWARE

TABLE OF CONTENTS

INTRODUCTION	005
KITCHEN STORAGE	008
PANTRY	010
CORNER	036
OVERHEAD	050
UNDERBENCH	056
DRAWERS	064
PULL OUT WASTE BINS	078
KITCHEN SINKWARE	088
HANDMADE STAINLESS STEEL SINKS	092
WORKSTATION SINKS	098
GRANITE COMPOSITE SINKS	106
WARDROBE STORAGE	112
A SERIES	116
B SERIES	136



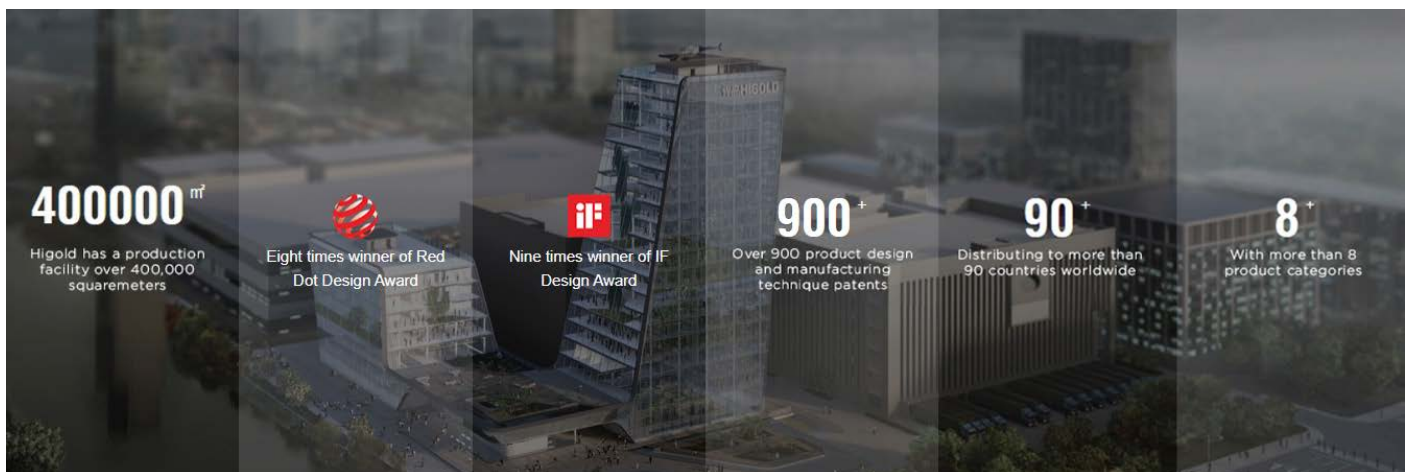
INTRODUCTION

Higold Australia is part of the Higold Group, a Global Leader in functional home hardware since 1989.

With one of the largest design teams and production facilities in the world, Higold is a global leader in designing and manufacturing innovative functional hardware for the luxury residential market.

Its key categories include:

- Intelligent kitchen storage hardware
- Kitchen sink and tapware solutions
- Luxury wardrobe storage hardware



Higold Australia products are distributed by Vanguard Design Group Pty Ltd under licence from the Higold Group. Vanguard Design Group is a specialist wholesaler and distributor of luxury residential renovation fixtures and fittings.

See www.VanguardDesign.com.au for more information



Higold Australia Distributor



AWARDS RECEIVED

Winner of 2014 RedDot Award

HIGOLD Shenzou - 10 space capsule

Winner of 2017 RedDot Award

The Water Dispenser

Winner of 2018 RedDot Award

Kitchen intelligent mini oven

Winner of 2021 RedDot Award

Shearer 4.0 Series

Winner of 2020 iF Design Award Germany

ONDA Series from HIGOLD Outdoor Furniture

Winner of 2021 iF Design Award Germany

Shearer 4.0 Series

Winner of 2021 iF Design Award Germany

Piniz Kitchen Tap

Winner of 2022 RedDot Award

Piniz Faucet 2.0

Winner of 2022 RedDot Award

Multifunctional Purification Kitchen Sink

Winner of 2022 iF Design Award

BN Faucet 2.0

Winner of 2022 iF Design Award

P10 Integrated Sink Dishwasher

Winner of 2023 iF Design Award

Right-angle L shaped Range Hood
Shearer Tourbillon Rotating Pantry
Belle Luxe 2.0 Workstation Kitchen Sink

Winner of 2023 RedDot Award

F2 Series Door Handle
F1 Series Door Handle

World-class landmark headquarters

National high and new technology enterprise

Provincial industrial design center

Shunde new era entrepreneurial pioneer enterprise

Top 10 Hardware Industry

China's Top 500 Home Furnishing Manufacturing Industries in 2020



2014 RedDot Design Award



2017 RedDot Design Award



2018 RedDot Design Award



2021 RedDot Design Award



2023 RedDot Design Award



Golden Hook Prize



Design Award 2020



Design Award 2021



Design Award 2023



The Pinnacle Awards Asia-Pacific



National Standards
Maker of Kitchen Hardware
Industry



GB/T 24001-2016
ISO14001: 2015 Standard



ISO 9001 Quality Management
Certification



National High-Tech
Enterprise



Business Social Compliance Initiative
BSCI Certification



Top 10 Chinese Enterprises
of Kitchen and
Bathroom Accessories

KITCHEN STORAGE

Higold leads the global market in functional kitchen cabinet hardware. Higold's reputation for design, functionality, durability and innovation define all their kitchen cabinet products. Optimise storage accessibility and capacity with the full range of Higold hardware products:

- Pantry cabinet storage
- Corner cabinet storage
- Overhead cabinet storage
- Underbench cabinet storage
- Drawers
- Pull-out waste bins





CABINET STORAGE TRAY DESIGNS

Four distinct tray styles that combine functionality, beauty, and optimal space utilisation.



SHEARER

- Anthracite Grey Finish Aluminium Rails
- Solid MDF Base Trays
- Removable Anti-slip Mats

SHEARER PRO

- Anthracite Grey Finish
- R10 Rounded Corner Trays
- Solid MDF Base with Anti-skid Textured Surface





DIAMOND

- Classic Matte Grey Finished Steel Rails
- Solid MDF Base Trays
- Removable Anti-slip Mats

DIAMOND PRO

- Classic Matte Grey Finished Steel Rails
- Solid MDF Base with Anti-skid Textured Surface



PANTRY STORAGE

Turn your high cupboards into space-saving, smart shelf systems

- Designed for tall cabinets with standard Australian widths
- Full tray extension for complete access to the back of pantry shelves
- Adjustable frame height for optimum flexibility
- High quality runners to take high loads
- Soft Stop Plus



TOWER SYSTEM

- Adjustable height
- Width and height options
- Bottom and top mounted runners
- For hinged door cabinets
- Pulls out when door is opened



PULL OUT SYSTEM

- Adjustable height
- Width and height options
- Bottom and top mounted runners
- Cabinet door is mounted to front
- Pulls out via pulling door handle



OPEN OUT SYSTEM

- Width and height options
- Bottom mounted runner and door mounted tray brackets
- Hinged door
- Frame and rear trays pull out with door open
- Door mounted trays for smaller items

SHEARER TOURBILLON PANTRY UNIT WITH ROTATING TRAYS

Higold's most accessible pantry storage with a patented design, and the world's first tall pantry unit to deliver a complete view and all-encompassing access to stored items through its 360-degree rotation trays

- Adjustable height
- For 600mm cabinet width
- 360-degree rotation, self-returning baskets
- Bottom and top mounted runners
- For hinged door cabinets
- Pulls out when the door is opened

Patent Nos.
ZL202122510746.5
ZL202230189907.6





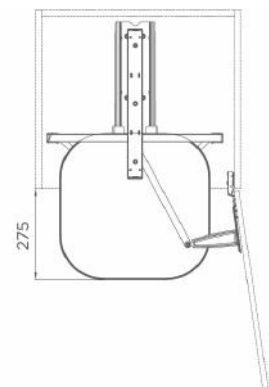
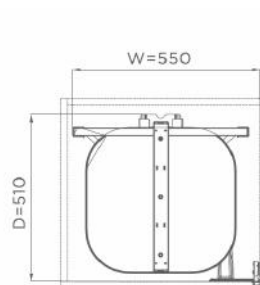


SHEARER TOURBILLON PANTRY UNIT WITH ROTATING TRAYS AND SOFT CLOSE

Simply the most accessible and adjustable pantry unit available, featuring self-return trays that can be rotated in any direction.



Each tray rotates 360° individually



PRODUCT ID	CABINET	W x D x H	CAPACITY	LAYERS
202295	600mm	550x510x(1675-1975)mm	Max 8kgs per tray	5
202296	600mm	550x510x(1975-2275)mm	Max 8kgs per tray	6



Scan/Click
to view on website

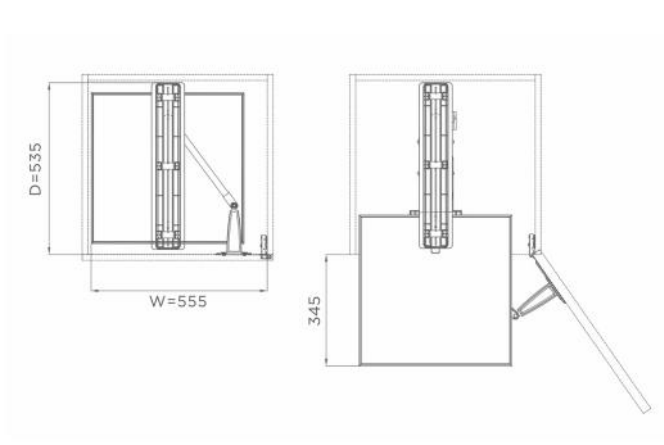


Patent Nos.
ZL201420232580.2
ZL201511009012.1
ZL201430122180.1



SHEARER **PRO** SPACE PULL OUT TOWER PANTRY UNIT WITH SOFT CLOSE

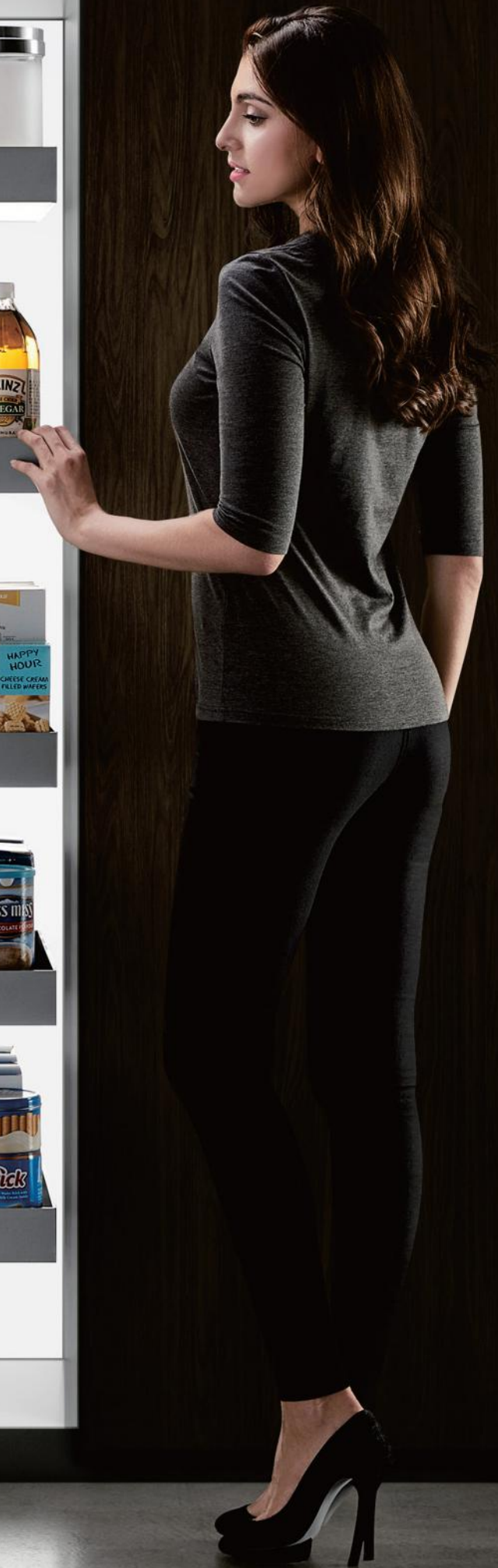
Transform your hinged cabinets into a seamless and functional storage with this tower pantry unit. Features adjustable frame and large-capacity trays in sleek grey design.



PRODUCT ID	CABINET	W x Dx H	CAPACITY	LAYERS
205185R	600mm	555x535x(1720-2020)mm	Max 8kgs per tray	5
205186R	600mm	555x535x(2020-2320)mm	Max 8kgs per tray	6



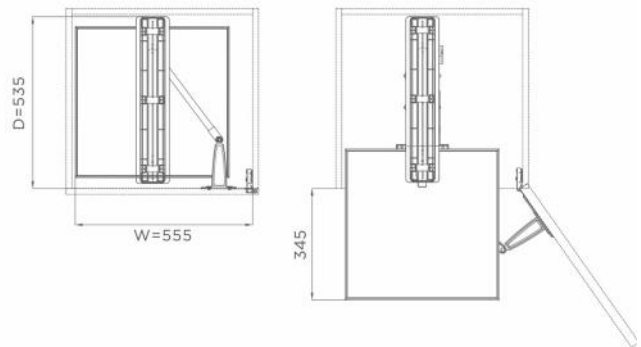
Scan/Click
to view on website





SHEARER SPACE PULL OUT TOWER PANTRY UNIT WITH SOFT CLOSE

Keep your pantry items organised in this convenient, multi-level slide-out storage, providing a full display view of kitchen spices, food, and jars. Suitable for hinged cabinets.



PRODUCT ID	CABINET	W x D x H	CAPACITY	LAYERS
205185	600mm	555x535x(1720-2020)mm	Max 8kgs per tray	5
205186	600mm	555x535x(2020-2320)mm	Max 8kgs per tray	6



Scan/Click
to view on website

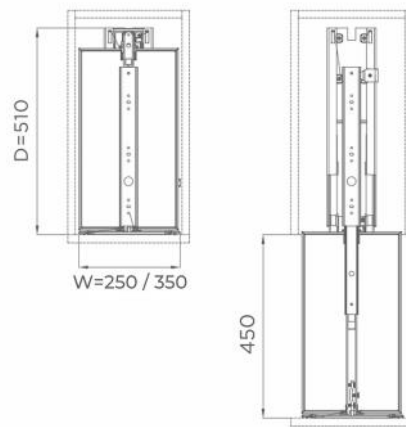


Patent Nos.
ZL201220684156.2
ZL201830253630.9
Z7201922047348.7



SHEARER **PRO** PULL OUT PANTRY UNIT WITH SOFT CLOSE

One of the latest in efficient kitchen storage solutions that puts all your pantry items in instant view and access in one gentle pull. Comes with the new Shearer rounded corner trays.



PRODUCT ID	CABINET	W x D x H	CAPACITY	LAYERS
201182R	300mm	250x510x(1659-2059)mm	Max 8kgs per tray	5
201183R	300mm	250x510x(1959-2359)mm	Max 8kgs per tray	6
201185R	400mm	350x510x(1659-2059)mm	Max 8kgs per tray	5
201186R	400mm	350x510x(1959-2359)mm	Max 8kgs per tray	6



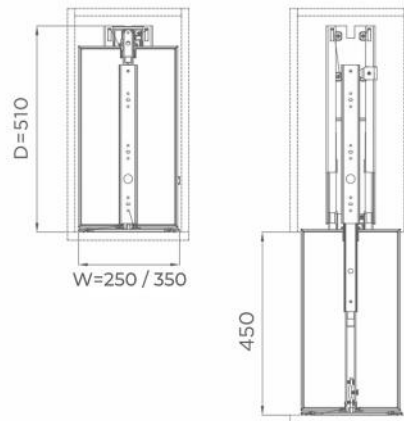
Scan/Click
to view on website





SHEARER PULL OUT PANTRY UNIT WITH SOFT CLOSE

Maximise your kitchen space and get uninterrupted view and access to your pantry items. With adjustable height and moveable trays.



PRODUCT ID	CABINET	W x D x H	CAPACITY	LAYERS
201182	300mm	250x510x(1659-2059)mm	Max 8kgs per tray	5
201183	300mm	250x510x(1959-2359)mm	Max 8kgs per tray	6
201185	400mm	350x510x(1659-2059)mm	Max 8kgs per tray	5
201186	400mm	350x510x(1959-2359)mm	Max 8kgs per tray	6



Scan/Click
to view on website

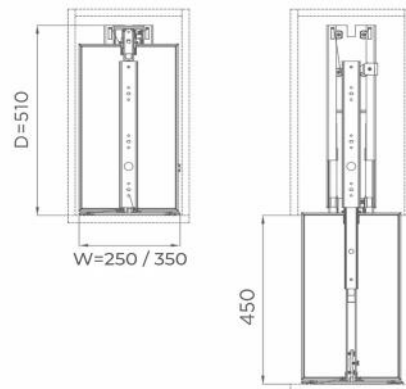


Patent Nos.
ZL201220684156.2
ZL201830253630.9
Z7201922047348.7



DIAMOND **PRO** PULL OUT PANTRY UNIT WITH SOFT CLOSE

Access to your kitchen items will never be a problem with this smooth sliding pantry unit. The matte grey railings are a classic choice and provide optimal visibility.



PRODUCT ID	CABINET	W x D x H	CAPACITY	LAYERS
201122R	300mm	250x510x(1659-2059)mm	Max 8kgs per tray	5
201123R	300mm	250x510x(1959-2359)mm	Max 8kgs per tray	6
201125R	400mm	350x510x(1659-2059)mm	Max 8kgs per tray	5
201126R	400mm	350x510x(1959-2359)mm	Max 8kgs per tray	6

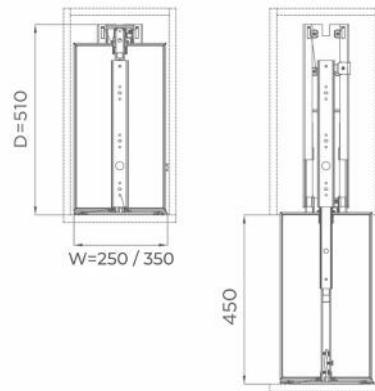






DIAMOND PULL OUT PANTRY UNIT WITH SOFT CLOSE

Enjoy a well-organised and clutter-free cabinet with this timeless, convenient, and innovative pull out pantry. Smooth, full-extension slides bring every pantry item at your fingertips.



PRODUCT ID	CABINET	W x D x H	CAPACITY	LAYERS
201122	300mm	250x510x(1659-2059)mm	Max 8kgs per tray	5
201123	300mm	250x510x(1959-2359)mm	Max 8kgs per tray	6
201125	400mm	350x510x(1659-2059)mm	Max 8kgs per tray	5
201126	400mm	350x510x(1959-2359)mm	Max 8kgs per tray	6



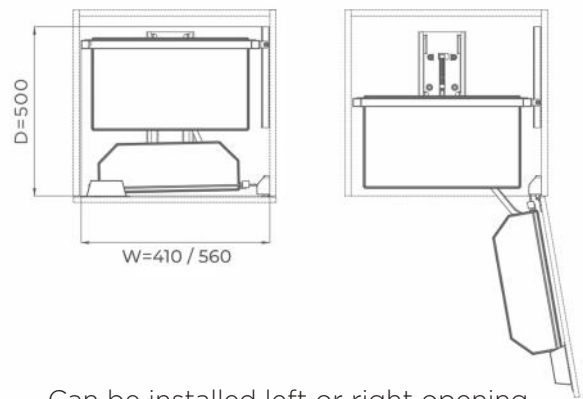


Patent Nos.
ZL201920460643.2
ZL202220774037.X



SHEARER **PRO** OPEN OUT TANDEM PANTRY UNIT WITH SOFT CLOSE

The open-out design is an intelligent function that draws two sets of trays—ensuring a tailored and efficient kitchen organisation system. Adopting rounded corner baskets for an improved look and safety.



Can be installed left or right opening

PRODUCT ID	CABINET	W x D x H	CAPACITY	LAYERS
202252R	450-500mm	410x500x1625mm	Max 5kgs per tray	5
202253R	450-500mm	410x500x1825mm	Max 5kgs per tray	6
202255R	600mm	560x500x1625mm	Max 5kgs per tray	5
202256R	600mm	560x500x1825mm	Max 5kgs per tray	6



Scan/Click
to view on website

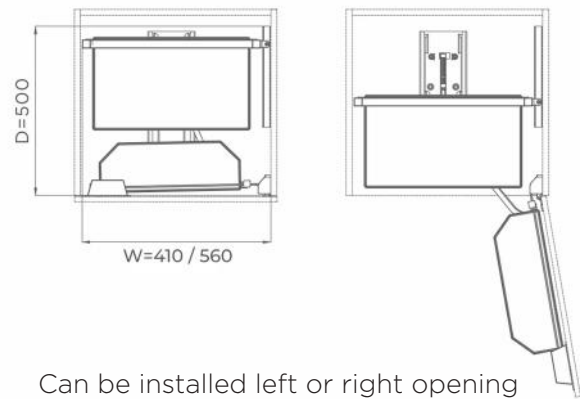


Patent Nos.
ZL201920460643.2
ZL202220774037.X



DIAMOND **PRO** OPEN OUT TANDEM PANTRY UNIT WITH SOFT CLOSE

Make full use of tall cabinets' vertical space and get easy access to a greater quantity of items stored in two sets of trays. With customisable shelving to fit unique storage needs.



PRODUCT ID	CABINET	W x D x H	CAPACITY	LAYERS
202262R	450-500mm	410x500x1625mm	Max 5kgs per tray	5
202263R	450-500mm	410x500x1825mm	Max 5kgs per tray	6
202265R	600mm	560x500x1625mm	Max 5kgs per tray	5
202266R	600mm	560x500x1825mm	Max 5kgs per tray	6



Scan/Click
to view on website

PULL OUT PANTRY UNIT

UNDERBENCH STORAGE

DRAWERS



OPEN OUT PANTRY UNIT



CORNER STORAGE

CORNER STORAGE

Utilise dark corners of your cupboard with these clever blind corner unit solutions

- Designed for hard-to-reach corner cabinets of standard 900mm widths
- Clearer view and convenient picking of stored kitchenware
- Adjustable tray levels
- High quality runners to take high loads
- Soft Stop Plus



SWING OUT

- Hinged cabinet door
- Two large tray levels
- Trays pull out by hand individually
- Soft plus soft close on return



MAGIC CORNER

- Cabinet door mounted to unit
- Four detachable storage trays in two adjustable levels
- Pull door handle to pull out first stage of unit, and slide second stage of unit across to easily access



SHOW HAND MAGIC CORNER II

- Hinged cabinet door
- Four detachable storage trays in two adjustable levels
- Open door and pull unit handle to pull out first stage of unit and slide to side, then pull out second stage of unit for full extended access

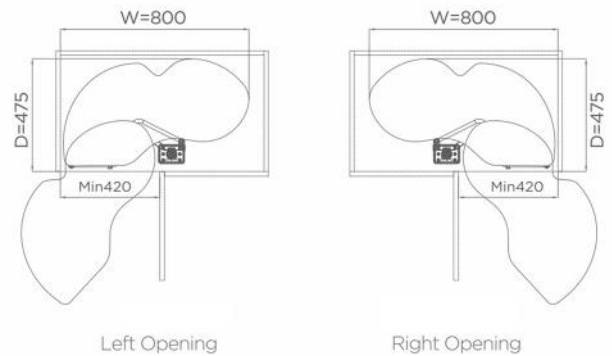
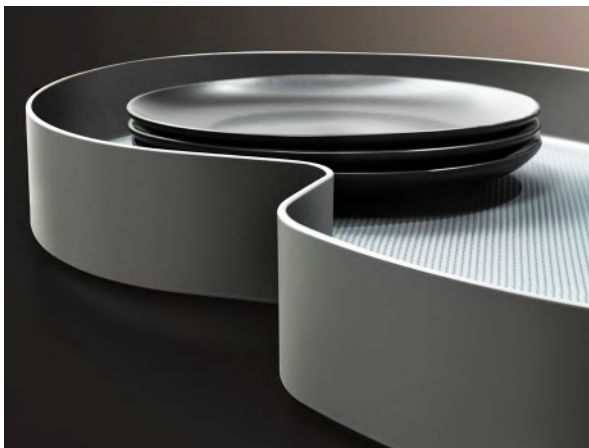


Patent Nos.
ZL202010424189.2
ZL202130385109.2



SHEARER AND SHEARER **PRO** SWING OUT KITCHEN CORNER STORAGE WITH SOFT CLOSE

One of Higold's innovations for kitchen corner storage. With a gentle pull-out, your stored contents and kitchenware swing out smoothly in full view, so nothing remains out of reach.



PRODUCT ID	CABINET	W x D x H	CAPACITY	OPENING	TRAY
101081	900mm	800x475x(600-750)mm	Max 15kgs per tray	Left	With anti-skid mats
101082	900mm	800x475x(600-750)mm	Max 15kgs per tray	Right	With anti-skid mats
101081R	900mm	800x475x(600-750)mm	Max 15kgs per tray	Left	Textured
101082R	900mm	800x475x(600-750)mm	Max 15kgs per tray	Right	Textured



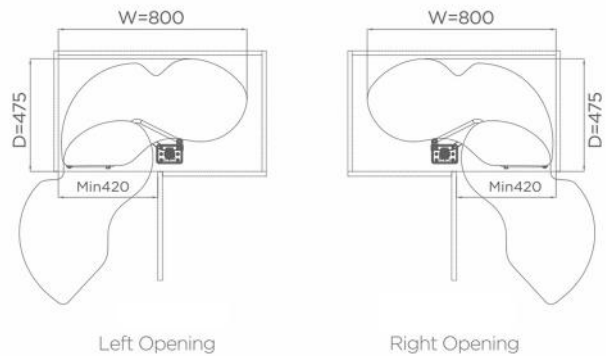


Patent Nos.
ZL202010424189.2
ZL202130385109.2



DIAMOND AND DIAMOND **PRO** SWING OUT KITCHEN CORNER STORAGE WITH SOFT CLOSE

Get easy access to pots and pans that are often tucked away in blind corners. The trays pivot and swing outward, and can move independently of the other.



PRODUCT ID	CABINET	W x D x H	CAPACITY	OPENING	TRAY
101071	900mm	800x475x(600-750)mm	Max 15kgs per tray	Left	With anti-skid mats
101072	900mm	800x475x(600-750)mm	Max 15kgs per tray	Right	With anti-skid mats
101071R	900mm	800x475x(600-750)mm	Max 15kgs per tray	Left	Textured
101072R	900mm	800x475x(600-750)mm	Max 15kgs per tray	Right	Textured



Scan/Click to view on website

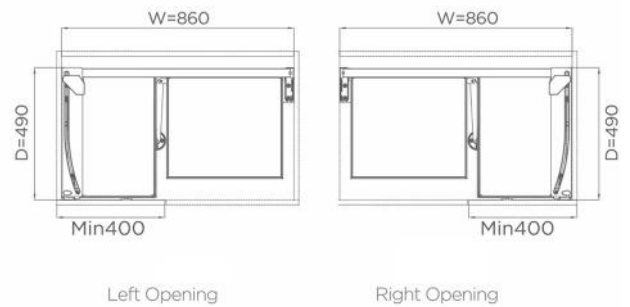


Patent Nos.
ZL202122637437.4
ZL202122637501.9



SHEARER AND SHEARER **PRO** MAGIC CORNER PULL OUT KITCHEN STORAGE WITH SOFT CLOSE

Tidy up your corner cabinets with a clever storage solution that can hold plates, bowls, spices, and small household appliances. Two front baskets come out into full view while the rear baskets are pulled into an accessible position.



PRODUCT ID	CABINET	W x D x H	CAPACITY	OPENING	TRAY
101055	900mm	860x490x535mm	Max 5kgs per tray	Left	With anti-skid mats
101056	900mm	860x490x535mm	Max 5kgs per tray	Right	With anti-skid mats
101055R	900mm	860x490x535mm	Max 5kgs per tray	Left	Textured
101056R	900mm	860x490x535mm	Max 5kgs per tray	Right	Textured

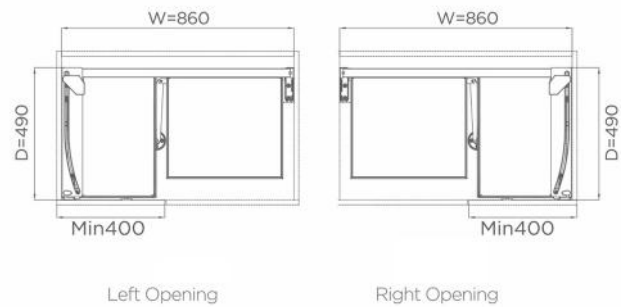


Scan/Click
to view on website



DIAMOND AND DIAMOND **PRO** MAGIC CORNER PULL OUT KITCHEN STORAGE WITH SOFT CLOSE

Optimise kitchen blind corner spaces that are often underutilised. Comes with two door-mounted baskets and two slide-mounted baskets that can be easily accessed as you open the cabinet door.



PRODUCT ID	CABINET	W x D x H	CAPACITY	OPENING	TRAY
101035	900mm	860x490x535mm	Max 5kgs per tray	Left	With anti-skid mats
101036	900mm	860x490x535mm	Max 5kgs per tray	Right	With anti-skid mats
101035R	900mm	860x490x535mm	Max 5kgs per tray	Left	Textured
101036R	900mm	860x490x535mm	Max 5kgs per tray	Right	Textured



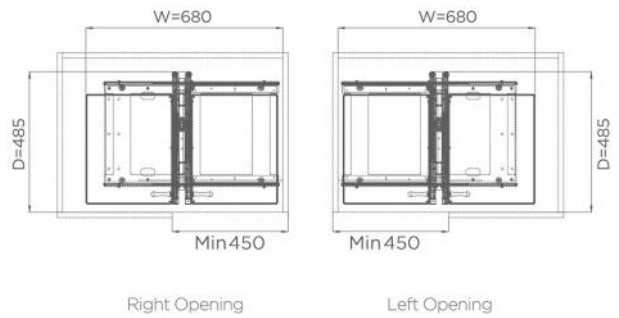
Scan/Click
to view on website





SHEARER AND SHEARER **PRO** SHOW HAND MAGIC CORNER II
PULL OUT KITCHEN STORAGE WITH SOFT CLOSE

The most functional blind corner storage solution that provides full view of contents stored on four baskets that pull out when the door is opened. Sleek addition to your modern kitchens and pantry areas.



Can be installed left or right opening

PRODUCT ID	CABINET	W x D x H	CAPACITY	OPENING	TRAY
101148	800/900mm	680x485x590mm	Max 5kgs per tray	Universal	With anti-skid mats
101148R	800/900mm	680x485x590mm	Max 5kgs per tray	Universal	Textured



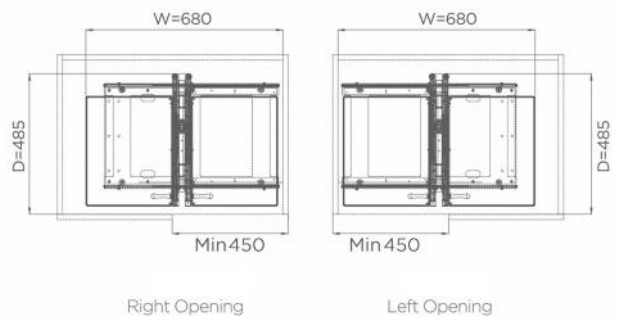
Scan/Click
to view on website





DIAMOND AND DIAMOND **PRO** SHOW HAND MAGIC CORNER II PULL OUT KITCHEN STORAGE WITH SOFT CLOSE

Easily one of the best options in corner cabinet solutions, bringing the interior of your kitchen corner all the way out. Shelf baskets can be installed at preferred height to accommodate different item sizes.



Can be installed left or right opening

PRODUCT ID	CABINET	W x D x H	CAPACITY	OPENING	TRAY
101125	800mm	680x485x590mm	Max 5kgs per tray	Universal	With anti-skid mats
101125R	800mm	680x485x590mm	Max 5kgs per tray	Universal	Textured



OVERHEAD CABINET STORAGE

Make full use of your overhead cabinets with lift systems that pull the contents downwards and outwards

- Designed for wall cabinets with standard Australian widths
- Effortless one-hand operation with a gentle pull push
- Multi-tier storage that brings down all contents to your level
- Mechanism weight loading is adjustable to maintain slow movement at any weight
- Soft Stop Plus for a slow cushioned return to base



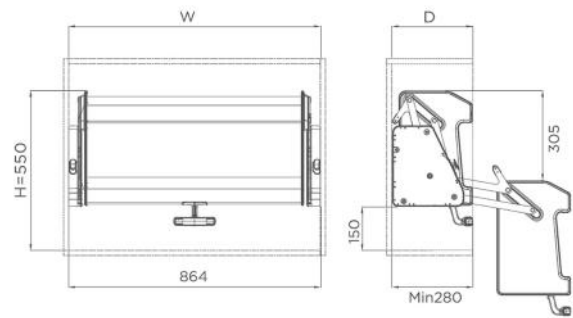


Patent Nos.
ZL202230189304.2



SHEARER NEBULA PULL DOWN OVERHEAD CABINET STORAGE

Utilise unreachable overhead cabinets and lower items down to your accessible space. With adjustable damping mechanism that ensures smooth push and pull movements under any storage load.



PRODUCT ID	CABINET	W x D x H	CAPACITY	MECHANISM
401281	600mm	564x280x550mm	Max 15kgs per tray	Soft Stop
401284	900mm	864x280x550mm	Max 15kgs per tray	Soft Stop



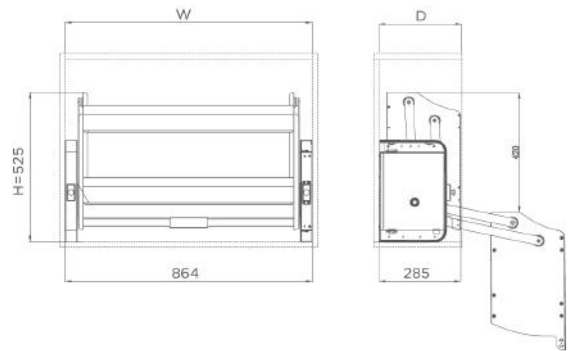


HIGOLD



SHEARER PULL DOWN OVERHEAD CABINET STORAGE

Make the most of hard-to-reach overhead cabinets with the 2-tier shelf system that pulls down stored pantry condiments. Stays down when lowered and can easily be returned to the cabinet with a gentle push.



PRODUCT ID	CABINET	W x D x H	CAPACITY	MECHANISM
401221	600mm	564x285x525mm	Max 15kgs per tray	Soft Stop
401224	900mm	864x285x525mm	Max 15kgs per tray	Soft Stop



Scan/Click
to view on website

UNDERBENCH CABINET STORAGE

Neatly store a variety of spices, oils, utensils, knives, and everyday kitchen contents.

- Designed for undercounter cabinets with Australian widths
- Full tray extension for complete access to your cutlery, pots, and pans
- Innovative five-partition structure and detachable parts maximise shelf capacity
- Non-slip, textured base ensures storage stability
- Soft Stop Plus for a slow cushioned return to base



HIGOLD



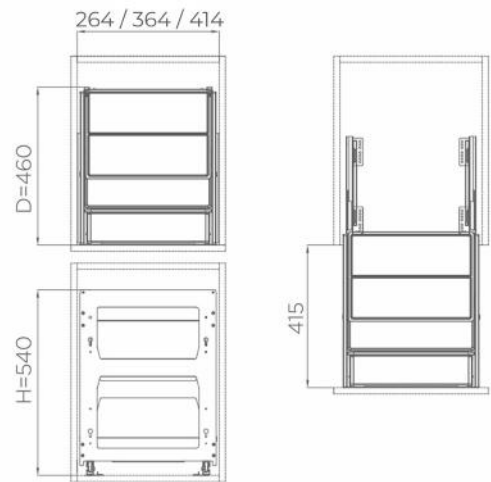


Patent Nos.
ZL202130850255.8
ZL202030057021.3
ZL2020963650.7
ZL202122547978.8
ZL202130857647.7
ZL202130163682.9
ZL202130850264.7
ZL202030057005.4
ZL202020957731.6
ZL202122547978.8



SHEARER LUXE PULL OUT KITCHEN CUPBOARD ORGANISER

Simply the most fashionable and reliable storage for all kinds of condiments and pantry essentials. The sleek grey finish of Shearer is complemented with rose gold highlights on the tray, and a non-slip surface that provides complete stability for items.



PRODUCT ID	CABINET	W x D x H	CAPACITY	MECHANISM
306271	300mm	264x460x540mm	Max 30kgs	Soft Close
306273	400mm	364x460x540mm	Max 30kgs	Soft Close
306274	450mm	414x460x540mm	Max 30kgs	Soft Close



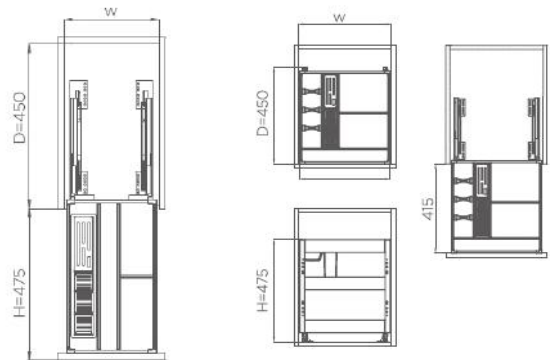
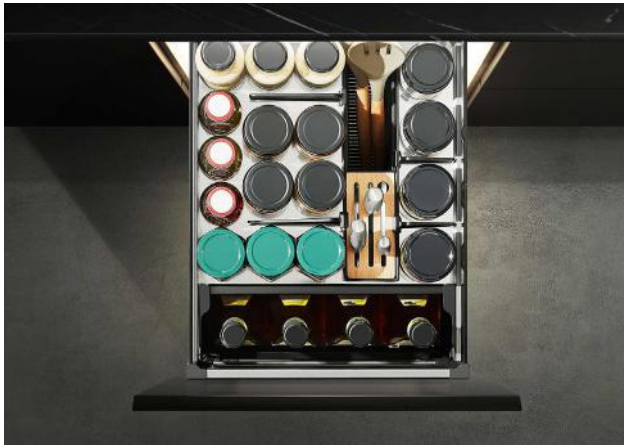
Scan/Click
to view on website





SHEARER CRYSTAL PULL OUT KITCHEN CUPBOARD ORGANISER

Every cutlery and cooking item will have its own dedicated area in this unit's multiple storage zones. Features the popular Shearer styling, now with crystal-clear glass side panels, enhancing visibility and aesthetic appeal overall.



PRODUCT ID	CABINET	W x D x H	CAPACITY	MECHANISM
306291	300mm	264x450x475mm	Max 30kgs	Soft Close
306293	400mm	364x450x475mm	Max 30kgs	Soft Close
306294	450mm	414x450x475mm	Max 30kgs	Soft Close



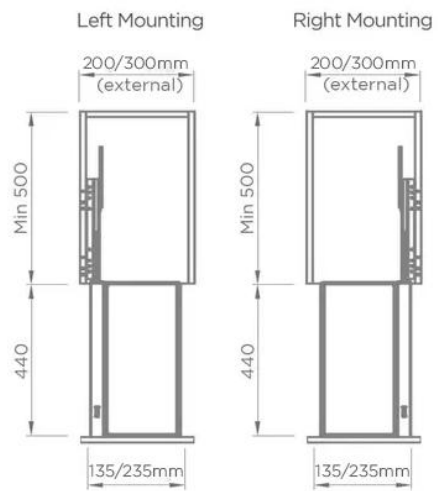
Scan/Click
to view on website





SHEARER PULL OUT KITCHEN CUPBOARD ORGANISERS - LEFT OR RIGHT SIDE MOUNT

Two-tier underbench storage designed for a side mount installation where you can store cooking essentials, canned goods, and a lot more.



PRODUCT ID	CABINET	W x D x H	CAPACITY	MECHANISM
304307L	200mm	135x460x580mm	Max 5kgs per tray	Soft Close
304307R	200mm	135x460x580mm	Max 5kgs per tray	Soft Close
304308L	300mm	235x460x580mm	Max 5kgs per tray	Soft Close
304308R	300mm	235x460x580mm	Max 5kgs per tray	Soft Close



Scan/Click to view on website

KITCHEN DRAWERS

Where every kind of tableware has its dedicated storage

- Designed for base cabinets with standard Australian widths
- Bottom drain tray with reservoir prevents moisture build-up
- Easy installation on side walls and pull-out doors
- High quality runners to take high loads
- Soft Stop Plus for a slow cushioned return to base



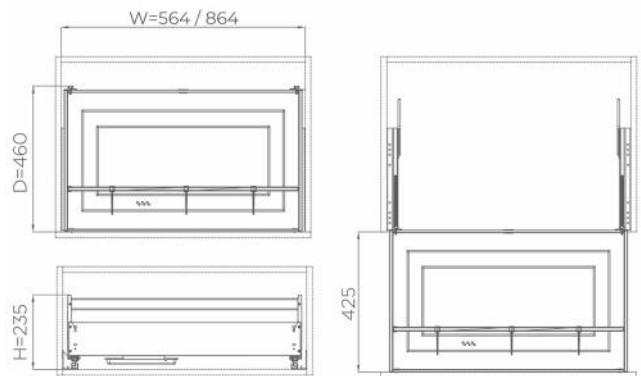


HIGOLD



SHEARER LUXE PULL OUT KITCHEN DRAWER - DEEP BASKET WITH DRAIN TRAY

The deep profile and adjustable dividers make this drawer perfect for large pots and pans. Shearer's grey finish is paired with a rose gold accent on the base, adding sophistication to the entire kitchen drawer.



PRODUCT ID	CABINET	W x D x H	CAPACITY	MECHANISM
303595	600mm	564x460x235mm	Max 30kgs	Soft Close
303591	900mm	864x460x235mm	Max 30kgs	Soft Close



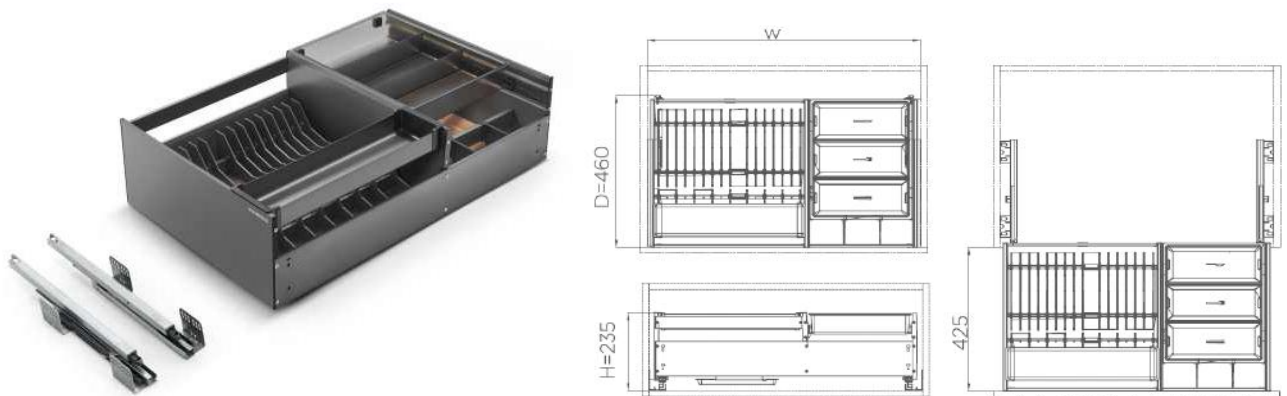
Scan/Click
to view on website





SHEARER LUXE MULTIPURPOSE PULL OUT KITCHEN DRAWER
WITH PLATE DIVIDERS AND DRAIN TRAY

This multipurpose drawer has an impressive capacity, flexible configuration, and luxurious finish. Access all your dishes, plates, and utensils, and keep them aesthetically organised. The minimalist grey finish of Shearer is matched with a rose gold accent on the base.



PRODUCT ID	CABINET	W x D x H	CAPACITY	MECHANISM
303585	600mm	564x460x235mm	Max 30kgs	Soft Close
303581	900mm	864x460x235mm	Max 30kgs	Soft Close

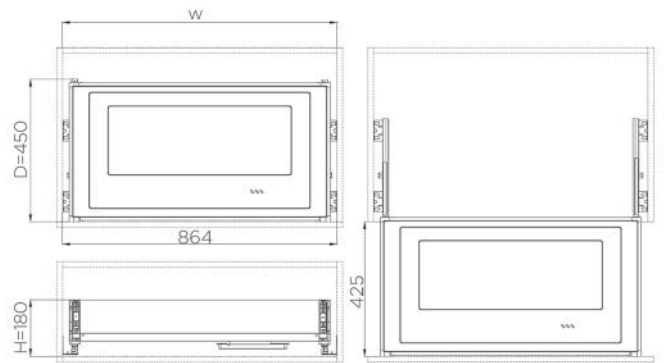






SHEARER CRYSTAL PULL OUT KITCHEN DRAWER - WITH DRAIN TRAY

The deep profile and adjustable dividers make this drawer perfect for large pots and pans. Shearer's grey finish is paired with a rose gold accent on the base, adding sophistication to the entire kitchen drawer.



PRODUCT ID	CABINET	W x D x H	CAPACITY	MECHANISM
303565	600mm	564x450x180mm	Max 30kgs	Soft Close
303561	900mm	864x450x180mm	Max 30kgs	Soft Close



Scan/Click
to view on website



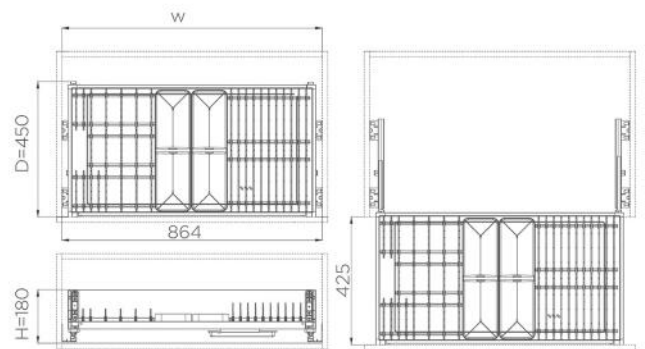
HIGOLD

HIGOLD



SHEARER CRYSTAL MULTIPURPOSE PULL OUT KITCHEN DRAWER WITH PLATE DIVIDERS AND DRAIN TRAY

Store various plates, bowls, and utensils, and have them readily available at one simple pull. The Shearer Crystal collection is a luxurious kitchen upgrade with its crystal glass baskets for improved visibility. Comes with adjustable partitions and joinable parts.



PRODUCT ID	CABINET	W x D x H	CAPACITY	MECHANISM
303555	600mm	564x460x180mm	Max 30kgs	Soft Close
303551	900mm	864x460x180mm	Max 30kgs	Soft Close



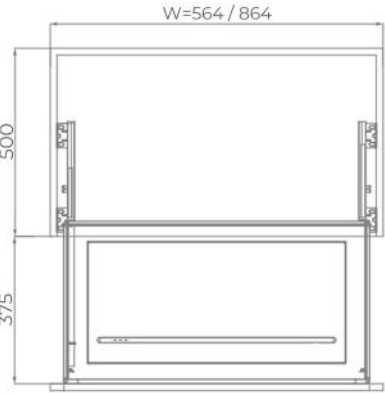
Scan/Click
to view on website





SHEARER PULL OUT KICTHEN DRAWER WITH DRAIN TRAY

Made of strong aluminium and pulls out all the way for a good overview of stored items. Finished in minimalist grey colour of the Shearer collection, this sturdy kitchen drawer glides open effortlessly, even when fully loaded.



PRODUCT ID	CABINET	W x D x H	CAPACITY	MECHANISM
303365	600mm	564x440x165mm	Max 30kgs	Soft Close
303361	900mm	864x440x165mm	Max 30kgs	Soft Close



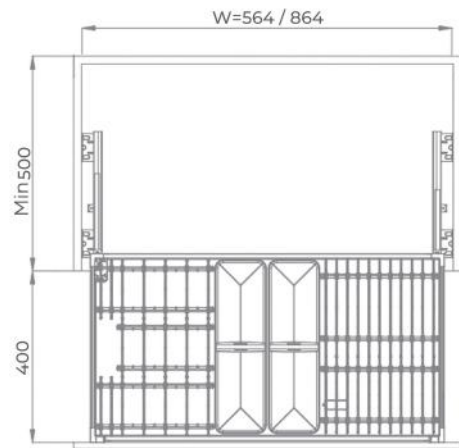


HIGOLD



SHEARER MULTIPURPOSE PULL OUT KITCHEN DRAWER WITH PLATE DIVIDERS AND DRAIN TRAY

Enjoy massive capacity and the convenience of flexible block partitions and joinable parts that can meet different storage needs. Ideal for saucepans, plates, and food jars to make them easily accessible at once.



PRODUCT ID	CABINET	W x D x H	CAPACITY	MECHANISM
303355	600mm	564x440x180mm	Max 30kgs	Soft Close
303351	900mm	864x440x180mm	Max 30kgs	Soft Close

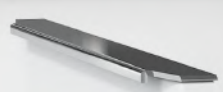


Scan/Click to view on website

KITCHEN BINS

Conceal your waste behind kitchen cupboard doors

- Designed for undercounter cabinets with standard Australian widths
- High-impact plastic construction can withstand frequent push and pull
- Integrated to the door—just open the cupboard and the bins slide forward at the same time
- Single, twin, triple bin configurations
- Soft Stop Plus for a slow cushioned return to base

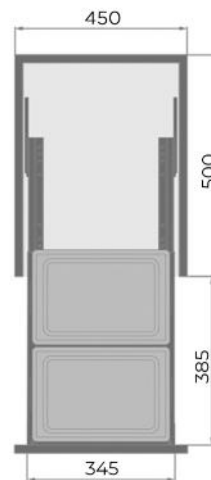






SIMPLEX TWIN SLIDE OUT CONCEALED WASTE BIN - BOTTOM MOUNTED
 - INCLUDES INTEGRATED DOOR BRACKET

Separate general wastes from recyclables with this easy-to-install twin kitchen bin that mounts to the base of your cabinet—no difficult side-mounted sliders. It comes with an integrated handle that makes it a breeze to empty out and clean.



PRODUCT ID	CABINET	W x D x H	CAPACITY	NO. OF BINS
307012	450mm	345x475x440mm	Max 20kgs	2X17L



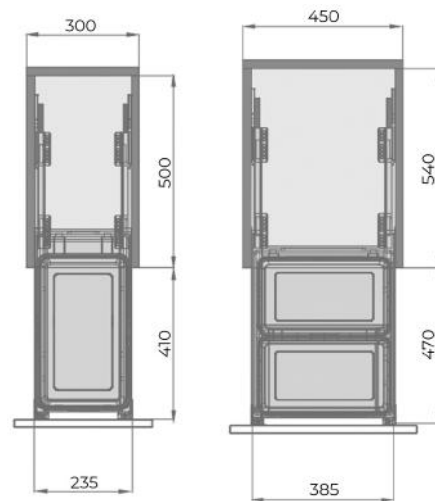
Scan/Click
to view on website





SIMPLEX SINGLE/TWIN SLIDE OUT CONCEALED WASTE BIN
 - BOTTOM MOUNTED - INCLUDES INTEGRATED DOOR BRACKET

Easily mount this bin to the base of your cabinet and attach to the door for a simple pull out. With integrated handle that makes it a breeze to empty out and clean.



PRODUCT ID	CABINET	W x D x H	CAPACITY	NO. OF BINS
307027	300mm	235x465x500mm	Max 20kgs	1X28L
307026	450mm	385x520x500mm	Max 20kgs	2X28L



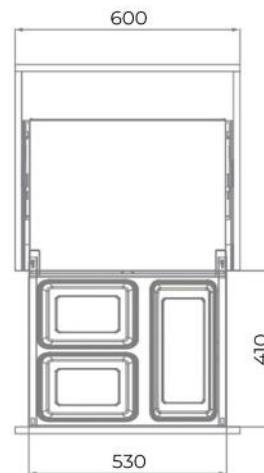
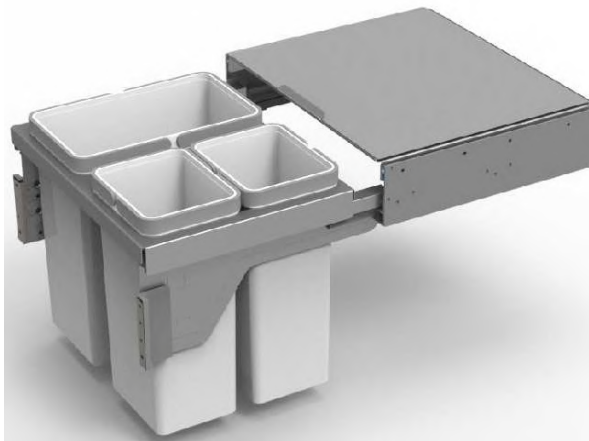
Scan/Click
to view on website





OPTUM TRIPLE SLIDE OUT CONCEALED WASTE BIN
 - SIDE MOUNTED - INCLUDES INTEGRATED DOOR BRACKET

A modern waste management solution, this is the largest bin from Higold with triple compartments to separate garbage, recyclables, and organics. Attach to the cabinet door for a fully integrated hideaway bin system.



PRODUCT ID	CABINET	W x D x H	CAPACITY	NO. OF BINS
306082	600mm	564x490x470mm	Max 30kgs	1X28L + 2X14L



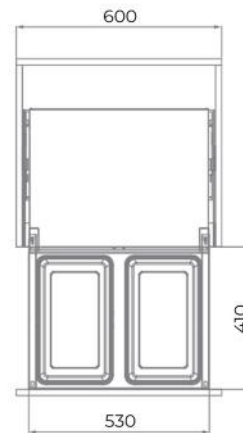
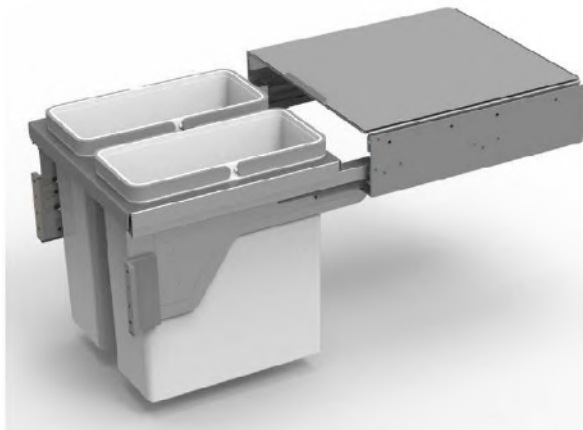
Scan/Click
to view on website





OPTUM TWIN SLIDE OUT CONCEALED WASTE BIN
 - SIDE MOUNTED - INCLUDES INTEGRATED DOOR BRACKET

A space-efficient waste solution to achieve a clean and clutter-free kitchen, this bin is ideal for sorting rubbish and recyclables. Attach to the cabinet door for a fully integrated hideaway bin system.



PRODUCT ID	CABINET	W x D x H	CAPACITY	NO. OF BINS
306081	600mm	564x490x470mm	Max 30kgs	2x28L



Scan/Click
to view on website

KITCHEN SINKWARE

Higold's European designed kitchen sinkware and tapware feature innovative patented attributes unavailable from other brands. Higold sinkware offers benefits such as FDA approved food-safe surfaces, the most advanced anti-scratch sink coatings, and the highest density composite sink material. Its architectural kitchen tapware series has earned numerous design awards in the global market.

- Kitchen sinks use FDA-approved food-safe surface materials
- Superior anti-scratch sinks maintain lustre and beauty over time
- Innovative and excellent design by the Pininfarina Design Team from Italy
- Long-term rust-resistance made possible by Ultrasonic Cleaning post manufacturing, which thoroughly removes even the smallest residue







HANDMADE STAINLESS STEEL SINKS

- 304 Stainless Steel
- Market leading anti-scratch protective coating
- Nano-coating applied to micro-sand blasted surface for superior durability
- R10 Corner Radius for easy cleaning
- Anti-condensation Undercoating
- Noise Minimising Rubber Pads
- Topmount / Undermount Installation
- FDA approved foodsafe surface

WORKSTATION SINKS INCLUDES ACCESSORIES

- 304 Stainless Steel
- Includes accessories: stainless steel colander, plastic basin, and wooden cutting board
- Two level Slide Lip Design allowing multiple accessories to be mounted
- Market leading anti-scratch protective coating
- Nano-coating applied to micro-sand blasted surface for superior durability
- R10 Corner Radius for easy cleaning
- Anti-condensation Undercoating
- Noise Minimising Rubber Pads
- Topmount / Undermount Installation
- FDA-approved foodsafe surface

GRANITE COMPOSITE SINKS

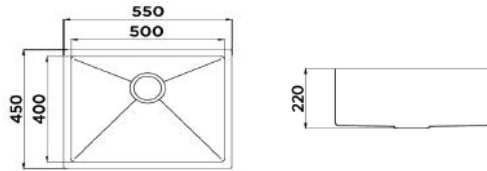
- Proprietary Granite Composite Materials for extreme density
- Extreme Durability (Steel ball impact test results exceed international standards)
- Market leading anti-scratch properties
- Anti-fade
- Rounded inner corners
- Topmount / Undermount Installation
- FDA-approved foodsafe surface
- Includes soap / detergent dispenser

HANDMADE STAINLESS STEEL SINKS

- Advanced nano coating technology provides excellent protection to the surface of the kitchen sink
- Superior anti-scratch kitchen sinks maintain their beauty over time
- Premium grade 304 stainless steel makes sinks extremely durable and rust-resistant
- The R10 corner radius allows for easier cleaning and maintenance
- Comes with an anti-condensation undercoating that helps prevent moisture buildup and avoid mold formation
- Depending on the preferred style, choose between topmount or undermount installation
- FDA-approved food-safe surfaces

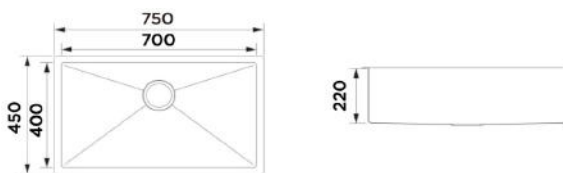


NANO COATED SINGLE BOWL KITCHEN SINK - R10 CORNER
STAINLESS STEEL 550mm



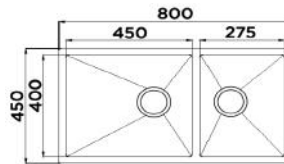
Product ID:	951106
Edge-to-edge Dimensions:	450mmx550mmx220mm (WxLxD)
Bowl Dimensions:	400mmx500mmx220mm (WxLxD)
Capacity:	45L
Thickness:	1.2mm
Material:	304 Stainless Steel
Inner Corner:	Rounded (R10 Corner Radius)
Mounting:	Undermount or Topmount

NANO COATED SINGLE BOWL KITCHEN SINK - R10 CORNER
STAINLESS STEEL - 750mm



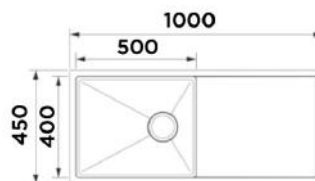
Product ID:	952160
Edge-to-edge Dimensions:	450mmx750mmx220mm (WxLxD)
Bowl Dimensions:	400mmx700mmx220mm (WxLxD)
Capacity:	61L
Thickness:	1.2mm
Material:	304 Stainless Steel
Inner Corner:	Rounded (R10 Corner Radius)
Mounting:	Undermount or Topmount

NANO COATED 1 & 1/2 BOWL KITCHEN SINK R10 CORNER STAINLESS STEEL - 800mm



Product ID:	953448
Edge-to-edge Dimensions:	450mmx850mmx220mm (WxLxD)
Bigger Bowl Dimensions:	400mmx450mmx220mm (WxLxD)
Bigger Bowl Capacity:	39L
Smaller Bowl Dimensions:	400mmx275mmx220mm (WxLxD)
Smaller Bowl Capacity:	24L
Thickness:	1.2mm
Material:	304 Stainless Steel
Inner Corner:	Rounded (R10 Corner Radius)
Mounting:	Undermount or Topmount

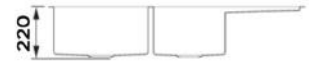
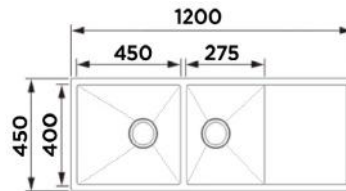
NANO COATED SINGLE BOWL KITCHEN SINK WITH DRAINER - R10 CORNER STAINLESS STEEL - 1000mm



Product ID:	954106
Edge-to-edge Dimensions:	450mmx1000mmx220mm (WxLxD)
Bowl Dimensions:	400mmx500mmx220mm (WxLxD)
Drainer Dimensions:	400mmx450mm
Capacity:	44L
Thickness:	1.2mm
Material:	304 Stainless Steel
Inner Corner:	Rounded (R10 Corner Radius)
Mounting:	Undermount or Topmount



NANO COATED 1 & 1/2 BOWL KITCHEN SINK WITH DRAINER - R10 CORNER STAINLESS STEEL- 1200mm



Product ID:	955097
Edge-to-edge Dimensions:	450mmx1200mmx220mm (WxLxD)
Bigger Bowl Dimensions:	400mmx450mmx220mm (WxLxD)
Bigger Bowl Capacity:	39L
Smaller Bowl Dimensions:	400mmx275mmx220mm (WxLxD)
Smaller Bowl Capacity:	24L
Drainer Dimensions:	400mmx275x220
Thickness:	1.2mm
Material:	304 Stainless Steel
Inner Corner:	Rounded (R10 Corner Radius)
Mounting:	Undermount or Topmount



Scan/Click
to view on website



WORKSTATION SINKS

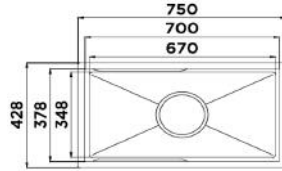
- Dual level Slide lip and step bowl design provides a work area that perfectly fits the included accessories (stainless steel colander, plastic basin, and wooden cutting board)
- Enhanced nano coating technology provides excellent protection to the surface of the kitchen sink and repels liquids
- Superior anti-scratch surface coating maintain the sink's lustre and beauty over time.
- Premium grade 304 stainless steel
- The R10 corner radius allows for easier cleaning and maintenance
- Comes with an anti-condensation undercoating that helps prevent moisture buildup and avoid mold formation
- Depending on the preferred style, choose between topmount or undermount installation
- FDA-approved food-safe surfaces



HIGOLD

HIGOLD

PINIZ SINGLE BOWL WORKSTATION KITCHEN SINK - SLIDE LIP - NANO COATED
 1.2mm THICK STAINLESS STEEL - ANTI-SCRATCH - 750mm

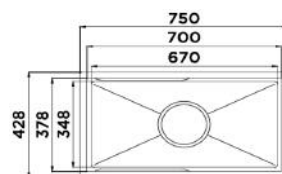


Product ID: 952307
Edge-to-edge Dimensions: 430mmx750mmx228mm (WxLxD)
Bowl Dimensions: 348mmx670mmx228mm (WxLxD)
Bowl Capacity: 53L
Thickness: 1.2mm
Material: 304 Stainless Steel
Inner Corner: Rounded (R10 Corner Radius)
Mounting: Undermount or Topmount

Accessories included:



PINIZ SINGLE BOWL WORKSTATION KITCHEN SINK - SLIDE LIP - NANO COATED 1.2mm THICK STAINLESS STEEL ANTI-SCRATCH
 750mm - PVD GUNBLACK

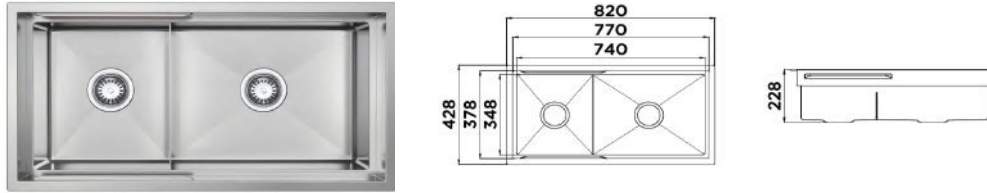


Product ID: 952307-B
Edge-to-edge Dimensions: 430mmx750mmx228mm (WxLxD)
Bowl Dimensions: 348mmx670mmx228mm (WxLxD)
Bowl Capacity: 53L
Thickness: 1.2mm
Material: 304 Stainless Steel
Inner Corner: Rounded (R10 Corner Radius)
Mounting: Undermount or Topmount

Accessories included:



PINIZ 1 & 1/2 BOWL WORKSTATION KITCHEN SINK - SLIDE LIP
 NANO COATED 1.2mm THICK STAINLESS STEEL - ANTI-SCRATCH - 820mm

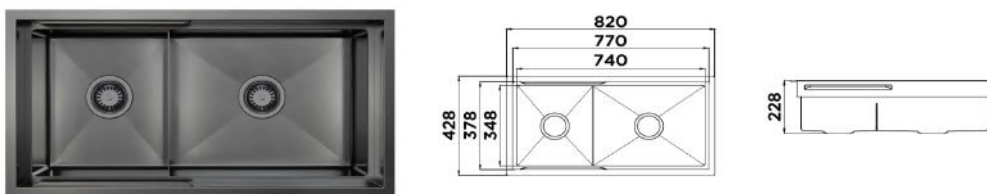


Product ID: 953447
Edge-to-edge Dimensions: 430mmx820mmx228mm (WxLxD)
Bigger Bowl Dimensions: 348mmx438mmx228mm (WxLxD)
Bigger Bowl Capacity: 34L
Smaller Bowl Dimensions: 348mmx298mmx228mm (WxLxD)
Smaller Bowl Capacity: 23L
Thickness: 1.2mm
Material: 304 Stainless Steel
Inner Corner: Rounded (R10 Corner Radius)
Mounting: Undermount or Topmount
Position: Reversible. Large bowl can be left or right

Accessories included:



PINIZ 1 & 1/2 BOWL WORKSTATION KITCHEN SINK - SLIDE LIP
 NANO COATED 1.2mm THICK STAINLESS STEEL - ANTI-SCRATCH
 820mm - PVD GUNBLACK



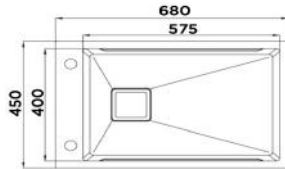
Product ID: 953447-B
Edge-to-edge Dimensions: 430mmx820mmx228mm (WxLxD)
Bigger Bowl Dimensions: 348mmx438mmx228mm (WxLxD)
Bigger Bowl Capacity: 34L
Smaller Bowl Dimensions: 348mmx298mmx228mm (WxLxD)
Smaller Bowl Capacity: 23L
Thickness: 1.2mm
Material: 304 Stainless Steel
Inner Corner: Rounded (R10 Corner Radius)
Mounting: Undermount or Topmount
Position: Reversible. Large bowl can be left or right

Accessories included:



Scan/Click
 to view on website

SINGLE BOWL WORKSTATION SINK WITH SLIDE LIP NANO COATED STAINLESS STEEL - ANTI SCRATCH - 680mm - PVD GUNMETAL

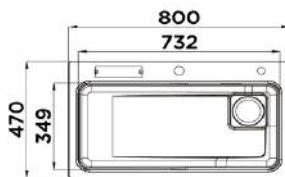


Product ID: 952380
Edge-to-edge Dimensions: 480mmx770mmx240mm (WxLxD)
Bowl Dimensions: 378mmx720mmx228mm (WxLxD)
Bowl Capacity: 62L
Thickness: 1.0mm
Material: 304 Stainless Steel
Inner Corner: Rounded (R10 Corner Radius)
Mounting: Topmount

Accessories included:



BELL LUXE 2.0 SINGLE BOWL WORKSTATION KITCHEN SINK
 DUAL STEP NANO COATED STAINLESS STEEL PANEL ANTI-SCRATCH
 800mm - PVD GREY

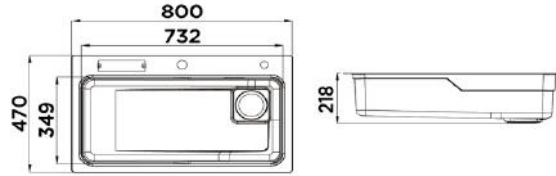


Product ID: 920255
Edge-to-edge Dimensions: 470mmx800mmx218mm (WxLxD)
Bowl Dimensions: 349mmx732mmx218mm (WxLxD)
Bowl Capacity: 56L
Thickness: 1.2mm
Material: 304 Stainless Steel
Inner Corner: Rounded (35 Corner Radius)
Mounting: Undermount or Topmount

Accessories included:



BELL LUXE 2.0 SINGLE BOWL WORKSTATION KITCHEN SINK
 DUAL STEP NANO COATED STAINLESS STEEL PANEL ANTI-SCRATCH
 800mm - PVD GUNMETAL

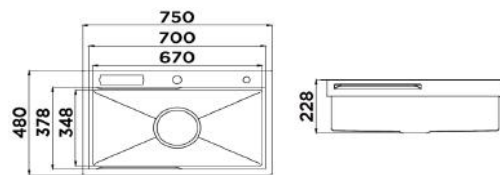


Product ID: 920244
Edge-to-edge Dimensions: 470mmx800mmx218mm (WxLxD)
Bowl Dimensions: 349mmx732mmx218mm (WxLxD)
Bowl Capacity: 56L
Thickness: 1.2mm
Material: 304 Stainless Steel
Inner Corner: Rounded (35 Corner Radius)
Mounting: Undermount or Topmount

Accessories included:



BELLE LUXE 1.0 SINGLE BOWL WORKSTATION KITCHEN SINK SLIDE LIP
 NANO COATED 3mm THICK STAINLESS STEEL PANEL ANTI-SCRATCH
 750mm - PVD GUNMETAL



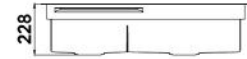
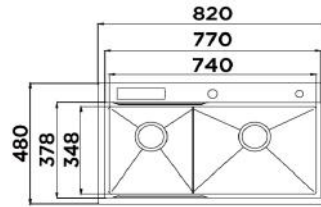
Product ID: 952257
Edge-to-edge Dimensions: 480mmx750mmx228mm (WxLxD)
Bowl Dimensions: 378mmx700mmx218mm (WxLxD)
Bowl Capacity: 57L
Material: 304 Stainless Steel
Inner Corner: Rounded
Mounting: Undermount of Topmount

Accessories included:



Scan/Click
 to view on website

BELLE LUXE 1.0 DOUBLE BOWL WORKSTATION KITCHEN SINK SLIDE LIP
NANO COATED 3mm THICK STAINLESS STEEL PANEL ANTI-SCRATCH
820mm - PVD GUNMETAL



Product ID:	953425
Edge-to-edge Dimensions:	480mmx820mmx228mm (WxLxD)
Bigger Bowl Dimensions:	348mmx438mmx218mm (WxLxD)
Bigger Bowl Capacity:	33L
Smaller Bowl Dimensions:	348mmx298.5mmx218mm (WxLxD)
Smaller Bowl Capacity:	22L
Material:	304 Stainless Steel
Inner Corner:	Rounded
Mounting:	Undermount or Topmount

Accessories included:





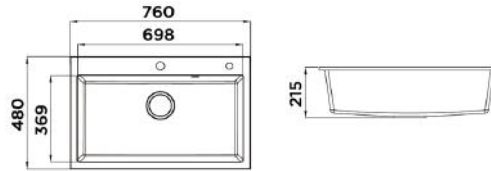
GRANITE COMPOSITE SINKS

- Outstanding results on the steel ball impact test - results show a rating that greatly exceeds the international standard
- Premium quality granite composite materials produce these market-leading anti-scratch and anti-fade kitchen sinks
- The heavy-duty composite density ensures that these kitchen sinks remain durable and sturdy for as long as possible
- The rounded inner corners make it easier to maintain and clean these kitchen sinks
- Depending on the preferred style, choose between topmount or undermount installation
- FDA-approved food-safe surfaces
- Comes with a soap / detergent dispenser



HIGOLD

SINGLE BOWL KITCHEN SINK - GRANITE COMPOSITE - 760mm - BLACK

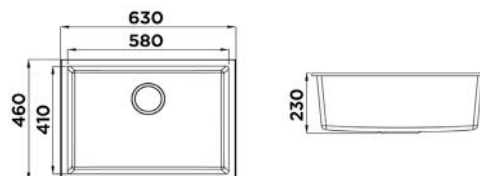


Product ID: 935005
Edge-to-edge Dimensions: 480mmx760mmx215mm (WxLxD)
Bowl Dimensions: 370mmx700mmx200mm (WxLxD)
Bowl Capacity: 51L
Material: Granite & Quartz Composite
Inner Corner: Rounded
Mounting: Undermount or Topmount

Accessory included:



SINGLE BOWL KITCHEN SINK - GRANITE COMPOSITE - 630mm - BLACK

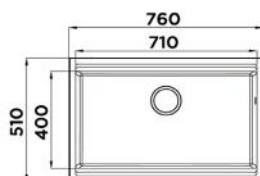


Product ID: 935019-B
Edge-to-edge Dimensions: 460mmx630mmx230mm (WxLxD)
Bowl Dimensions: 410mmx580mmx217mm (WxLxD)
Bowl Capacity: 51L
Material: Granite & Quartz Composite
Inner Corner: Rounded
Mounting: Undermount or Topmount



Scan/Click
to view on website

SINGLE BOWL WORKSTATION KITCHEN SINK WITH STEPS GRANITE COMPOSITE - 760mm - BLACK

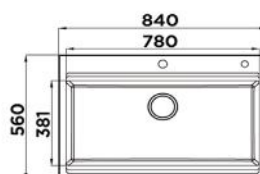


Product ID: 935022-B
Edge-to-edge Dimensions: 510mmx760mmx230mm (WxLxD)
Bowl Dimensions: 460mmx710mmx218mm (WxLxD)
Bowl Capacity: 70L
Material: Granite Composite
Inner Corner: Rounded
Mounting: Undermount or Topmount

Accessories included:



SINGLE BOWL WORKSTATION KITCHEN SINK WITH STEPS GRANITE COMPOSITE - 840mm - BLACK

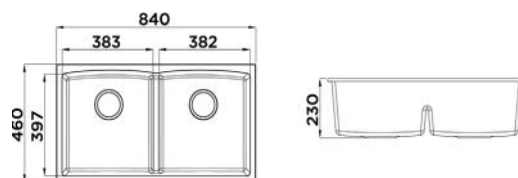


Product ID: 935023-B
Edge-to-edge Dimensions: 560mmx840mmx230mm (WxLxD)
Bowl Dimensions: 450mmx779.50mmx218mm (WxLxD)
Bowl Capacity: 76L
Material: Granite Composite
Inner Corner: Rounded
Mounting: Undermount or Topmount

Accessories included:

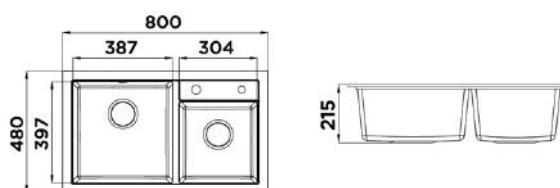


DOUBLE BOWL KITCHEN SINK - GRANITE COMPOSITE BLACK - 840mm



Product ID:	935021-B
Edge-to-edge Dimensions:	460mmx840mmx230mm (WxLxD)
Bowl Dimensions:	410mmx387mmx217mm (WxLxD)
Bowl Capacity:	68L
Material:	Granite & Quartz Composite
Inner Corner:	Rounded
Mounting:	Undermount or Topmount

1 & 1/2 BOWL KITCHEN SINK - GRANITE COMPOSITE - 800mm - BLACK



Product ID:	935006
Edge-to-edge Dimensions:	480mmx800mmx215mm (WxLxD)
Bigger Bowl Dimensions:	400mmx385mmx200mm (WxLxD)
Bigger Bowl Capacity:	30L
Smaller Bowl Dimensions:	315mmx300mmx200mm (WxLxD)
Smaller Bowl Capacity:	18L
Thickness:	1.2mm
Material:	Granite & Quartz Composite
Inner Corner:	Rounded
Mounting:	Undermount or Topmount

Accessory included:



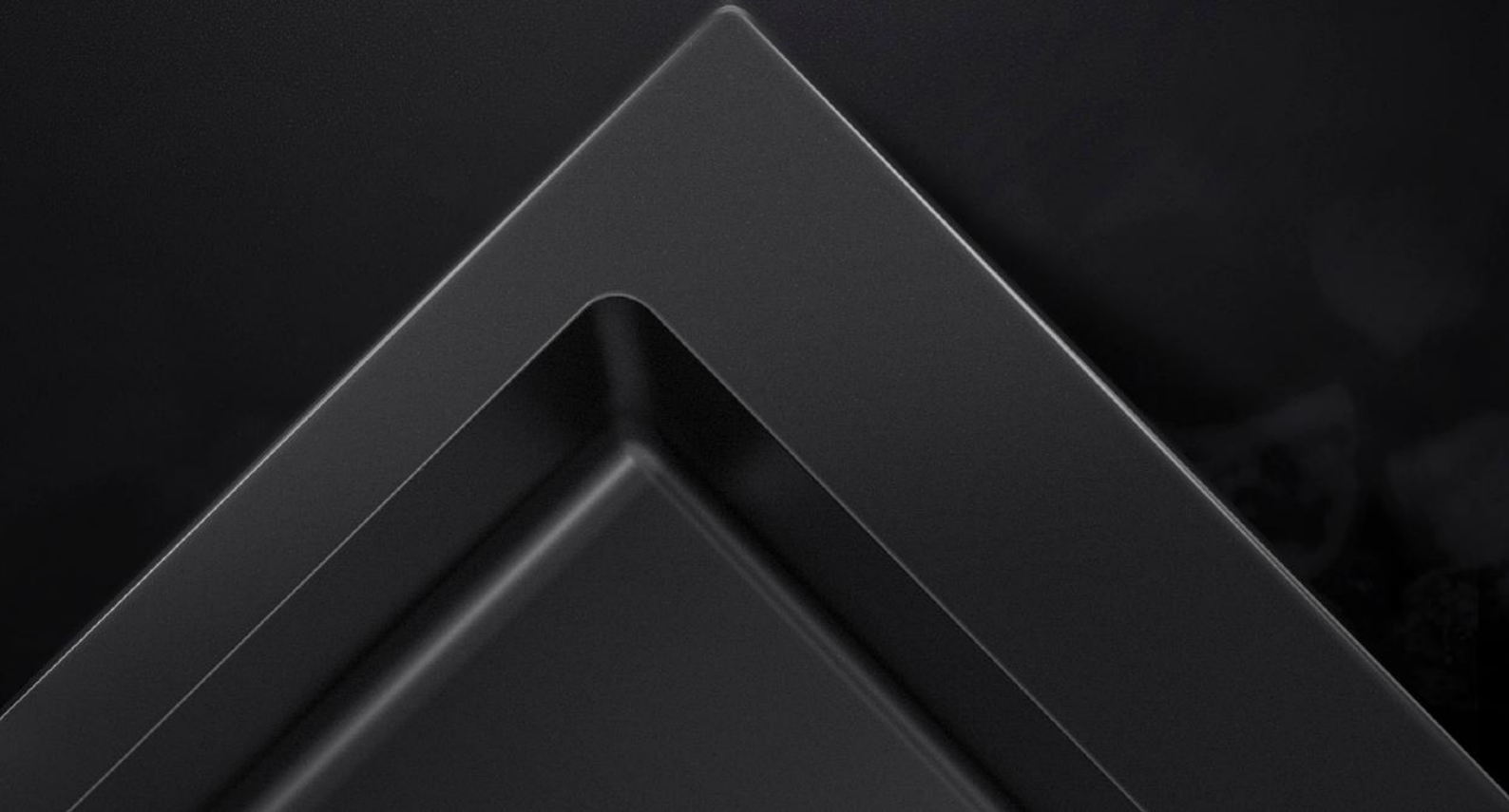
Scan/Click
to view on website



HIGOLD®

Composite Granite 2.0

HIGOLD®

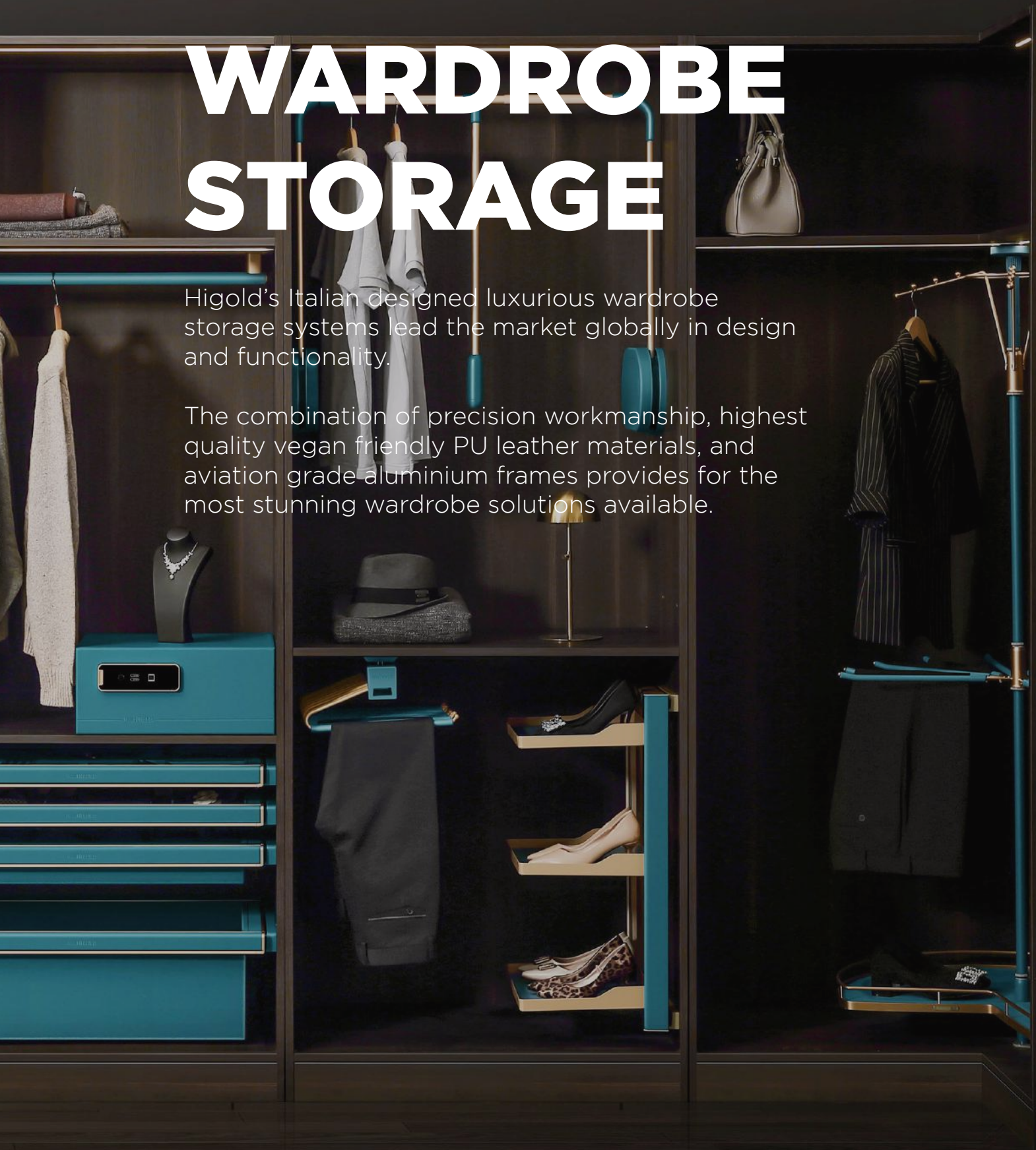
- ☑ Food grade certified
 - ☑ High temperature resistance
 - ☑ High impact strength
 - ☑ Free from fading & scratching
- 



WARDROBE STORAGE

Higold's Italian designed luxurious wardrobe storage systems lead the market globally in design and functionality.

The combination of precision workmanship, highest quality vegan friendly PU leather materials, and aviation grade aluminium frames provides for the most stunning wardrobe solutions available.



ELEGANT WARDROBE DESIGNS



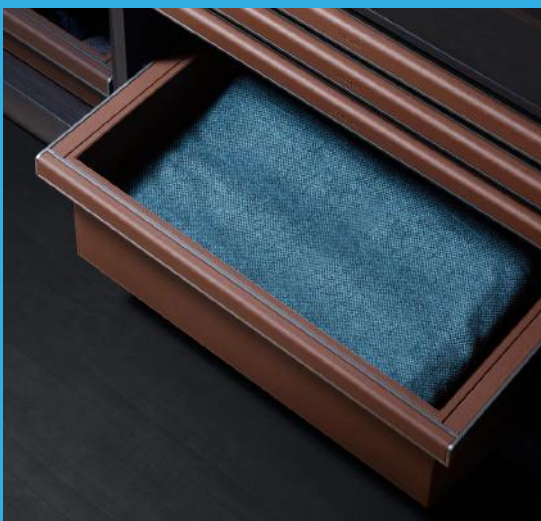
A SERIES - Natural

- Vegan-Friendly PU Leather
- Natural Colour
- Flat Grain
- Anthracite Grey Aluminium Frame



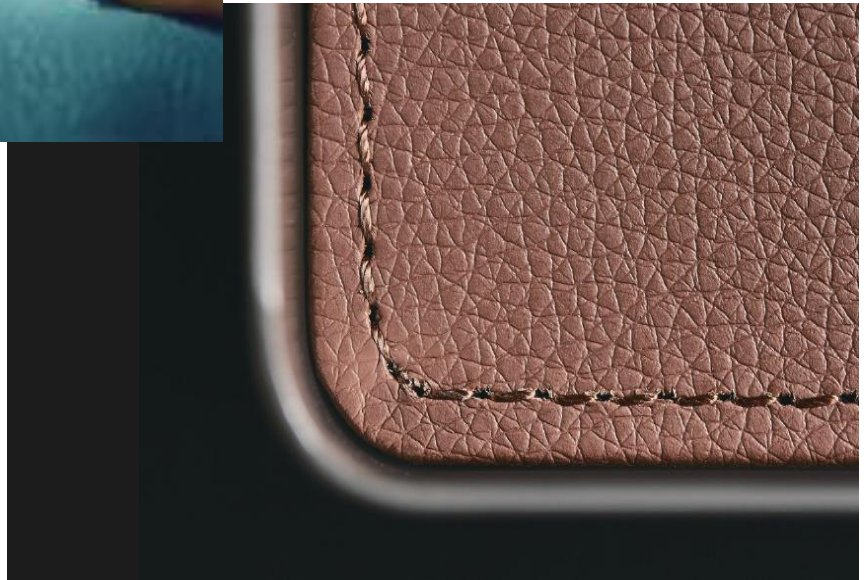
B SERIES - Teal

- Vegan-Friendly PU Leather
- Teal Colour
- Flat Grain
- Satin Champagne Aluminium Edging



B SERIES - Natural

- Vegan-Friendly PU Leather
- Natural Colour
- Flat Grain
- Anthracite Grey Aluminium Edging



Vegan-Friendly PU Leather

Gorgeous full-body leather storage made ethically and sustainably

Higold's functional wardrobe solutions are coated in flat grain vegan-friendly PU leather to create stylish and sustainable organisation pieces.

Faux leather closet drawers adding an expensive touch yet are a less harmful choice to our planet. Higold's vegan-friendly PU leather materials are water-resistant, easy to clean, low-impact, and designed to last.

A SERIES

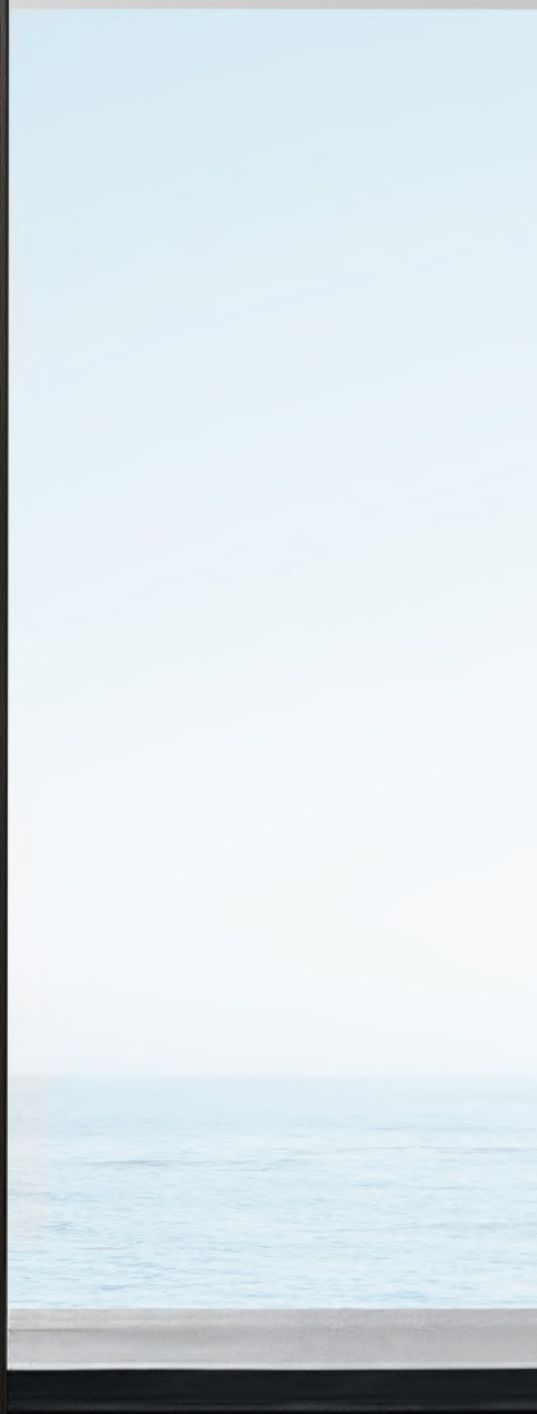
Luxurious and functional. Wardrobe drawers and racks from A Series ensure you have storage for every closet item. The earthy brown shade is paired with softer grey accents to exude a sense of warmth, and a contemporary, nature-inspired look.

Transform your clothes storage space into the most appealing and inspiring space in your home.

- Vegan-Friendly PU Leather
- Natural Colour
- Flat Grain
- Anthracite Grey Aluminium Frame









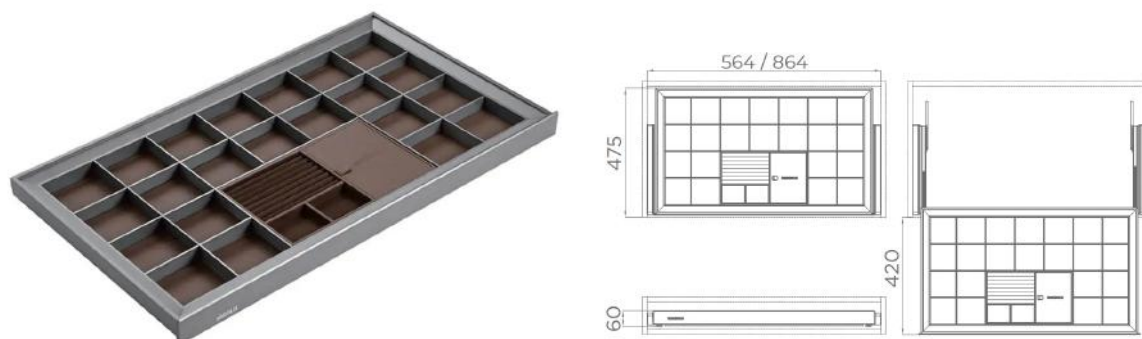
PATENT NO.
ZL201921241422.2



PATENT NO.
ZL201921241422.2

PULL OUT ACCESSORIES / JEWELLERY STORAGE BOX

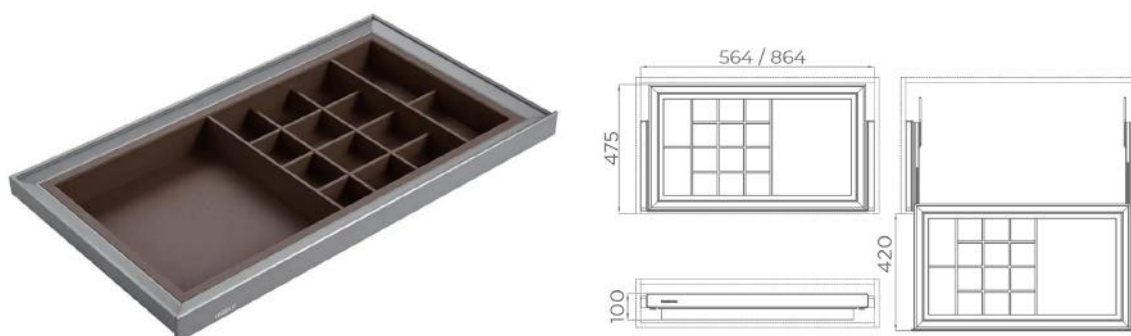
*Ideal to store jewellery, watches, small items and belts
Includes ring storage section and covered section*



PRODUCT ID	CABINET	W x D x H	FEATURES
703741S	600mm	564x475x60mm	Soft Close
703744S	900mm	864x475x60mm	Soft Close

PULL OUT WARDROBE STORAGE TRAY

*Ideal to store belts, rolled ties or scarves, and smaller items
Larger section for lingerie, folded clothing or displaying preferred items.*



PRODUCT ID	CABINET	W x D x H	FEATURES
703711S	600mm	564x475x100mm	Soft Close
703714S	900mm	864x475x100mm	Soft Close



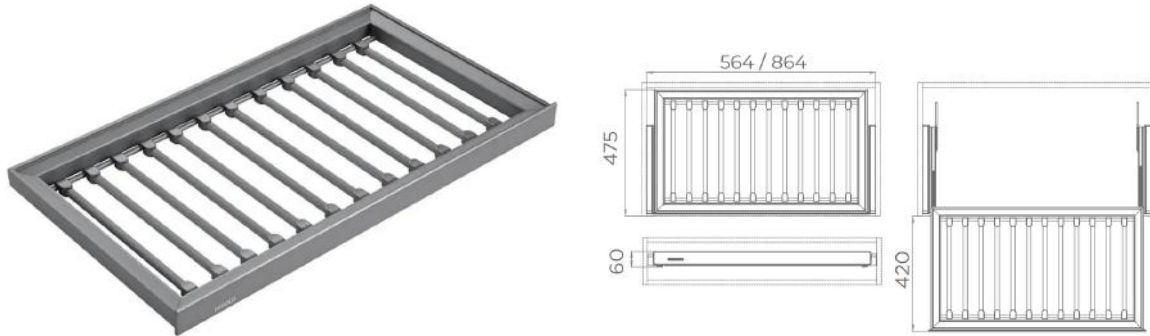
A Natural Series



PATENT NO.
ZL201921241422.2

PULL OUT TROUSER RACK

Stores up to 12 pairs of trousers (900mm wide model)
Removable rods to lift out and replace trousers easily



PRODUCT ID	CABINET	DIMENSIONS	FEATURES	CAPACITY
703721S	600mm	564x475x60mm	Soft Close	Up to 6 trousers
703724S	900mm	864x475x60mm	Soft Close	Up to 12 trousers

PULL OUT WARDROBE BASKET

Convenient storage for folded items



PRODUCT ID	CABINET	DIMENSIONS	FEATURES
703731S	600mm	564x475x275mm	Soft Close
703734S	900mm	864x475x275mm	Soft Close





LIFT UP AND DOWN CLOTHES HANGING RACK

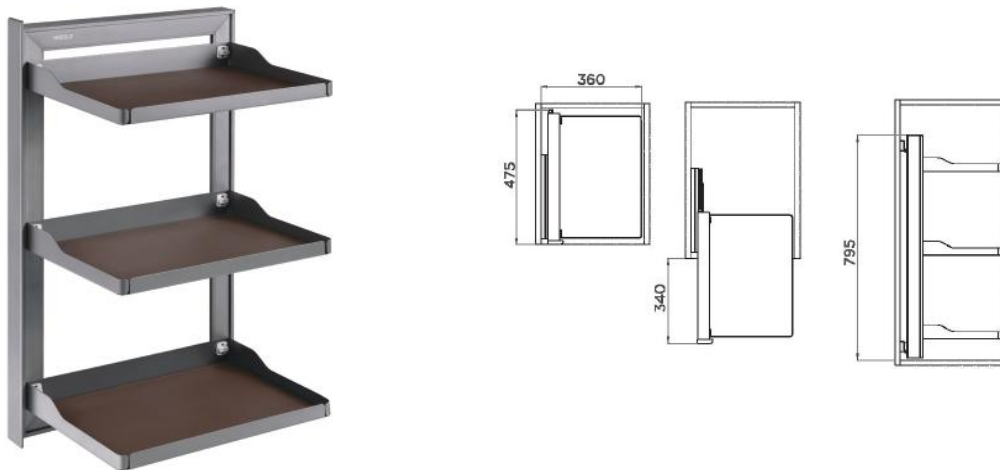
Overhead storage solution with convenient pull down arm
Hydraulic system offers the effortless movements



PRODUCT ID	CABINET	DIMENSIONS	FEATURES
703156S	900-1100mm	(864x1064)x500x830mm	Width is extendable

3-TIER SLIDE OUT WARDROBE STORAGE BASKETS - SIDE MOUNT

Ideal to store shoes, hand bags, hats or other preferred items.



PRODUCT ID	CABINET	DIMENSIONS	FEATURES
703571S	400mm	360X475X795mm	Left Mounting Soft Close
703572S	400mm	360X475X795mm	Right Mounting Soft Close



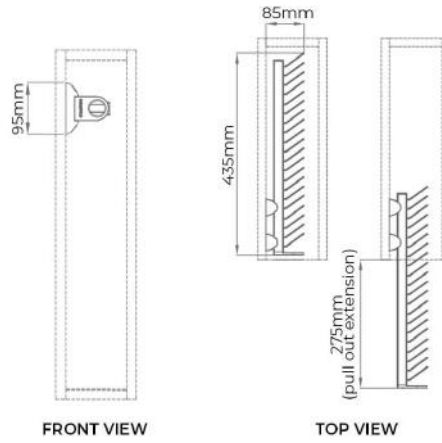
A Natural Series



RIGOLD

TIE RACK

*Hangs up to 20 ties providing full visibility and accessibility
Can be installed on left or right side of cabinet*



PRODUCT ID	CABINET	DIMENSIONS	FEATURES
703541S	-	85x435x95mm	Left or right side installation

HANGING ROD AND MOUNTS

Styled clothes hanging rod - can be cut to size and mounted with a pair of rod holders



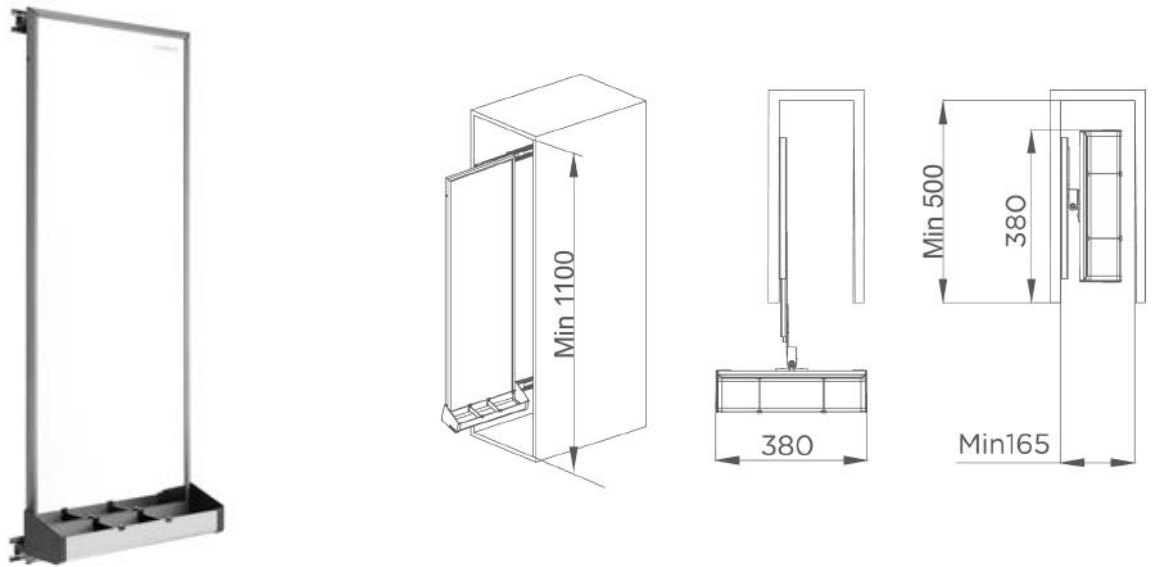
PRODUCT ID	DIMENSIONS	FEATURES
703581S	3000X15X38mm	Can be cut to required size



A Natural Series

SLIDE OUT HIDE-AWAY REVOLVING MIRROR WITH STORAGE TRAY

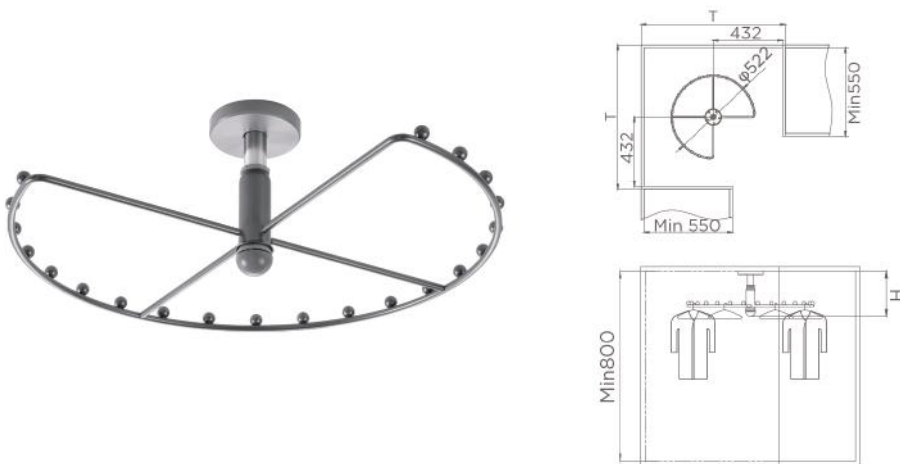
*A hide-away side-mounted mirror that pulls out and rotates to your required position
Integrated storage tray at base is ideal for small items like accessories, cosmetics and fragrances*



PRODUCT ID	CABINET	DIMENSIONS	FEATURES
703565S	≥200mm	380x140x1000mm	Rotatable, with storage tray

ROTATING CLOTHES RACK

Innovative corner rotatable hanging solution for up to 20 hanging items



PRODUCT ID	CABINET	DIMENSIONS	FEATURES
703501S	≥900mm	522x188mm	Rotatable rack



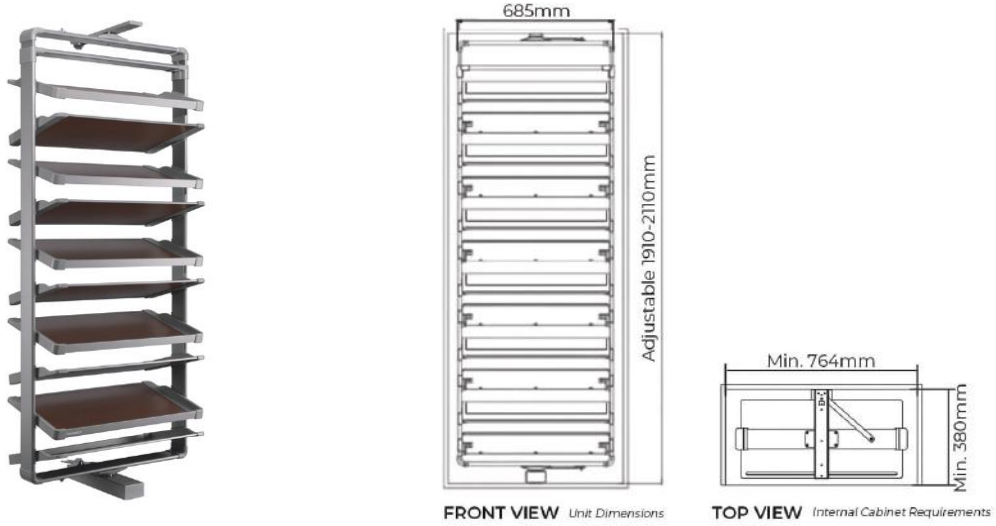
A Natural Series



PATENT NOS.
ZL201930264676.5
ZL202122543108.3
ZL202220767539.X

ROTATING SHOE RACK - CLASSIC TRAY STYLE

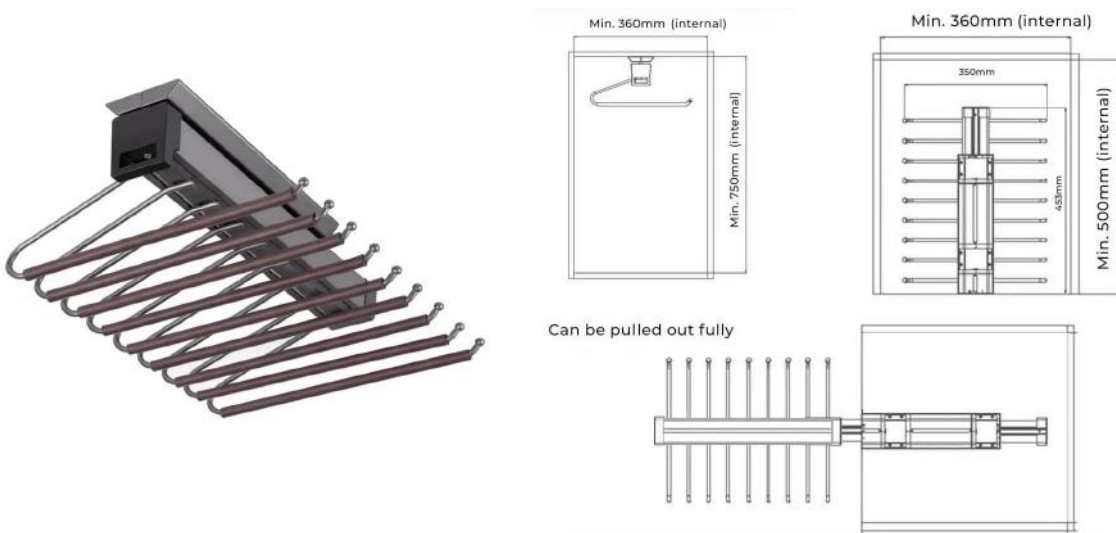
The most popular shoe storage solution to display and easily access up to 36 pairs of shoes



PRODUCT ID	CABINET	DIMENSIONS	FEATURES	CAPACITY
703691S	≥800mm	685x355x(1910-2110)mm	12 Layers Soft Close	Up to 36 pairs of shoes

TROUSERS HOLDER

A convenient top mounted storage solution for up to 9 pairs of trousers
Fully extendable for complete access



PRODUCT ID	CABINET	DIMENSIONS	FEATURES	CAPACITY
703502S	400mm	350x453x170mm	Anti-slip rails	Up to 9 trousers



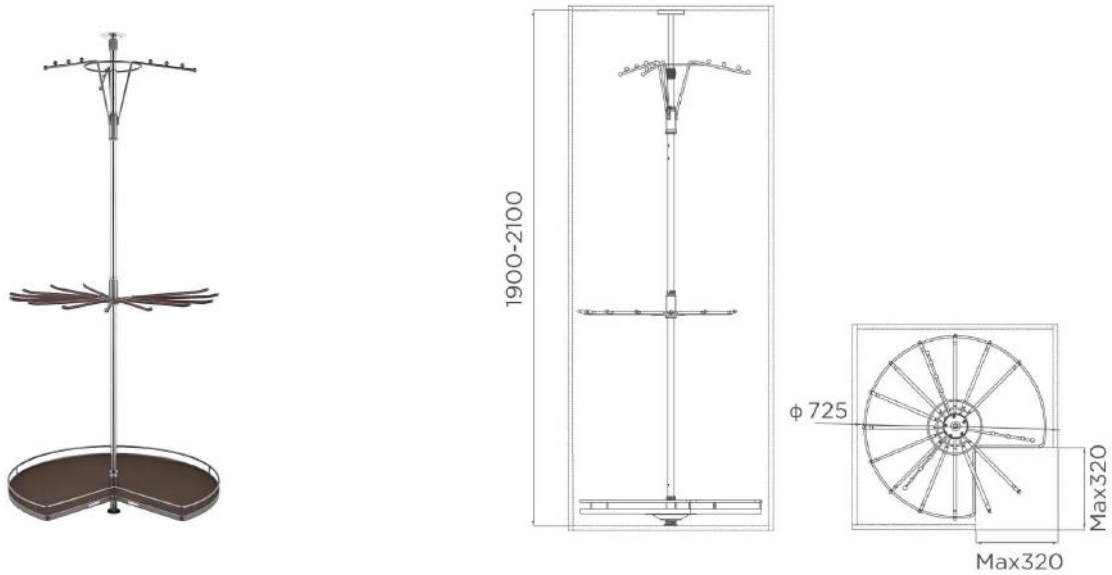
A Natural Series



PATENT NO.
ZL201730454891.2

ROTATING MULTIFUNCTIONAL ROUND CLOTHES RACK

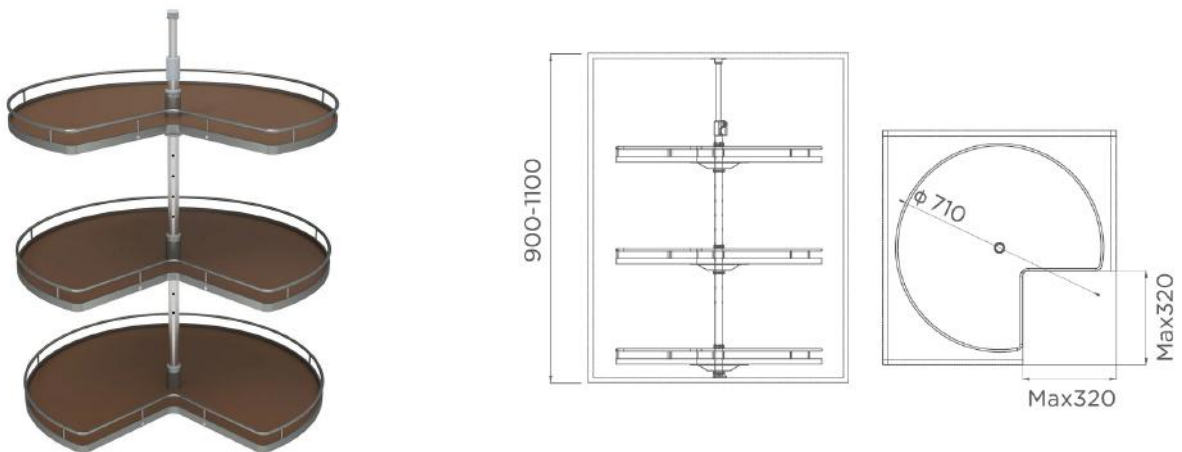
An innovative solution for that corner cabinet to hang garments, trousers/skirts, and place shoes/bags



PRODUCT ID	FINISH	CABINET	DIMENSIONS	FEATURES
703551S	Natural	≥900mm	725x(1900-2100)mm	3-tier + Rotatable

TROUSERS HOLDER

*A convenient top mounted storage solution for up to 9 pairs of trousers
Fully extendable for complete access*

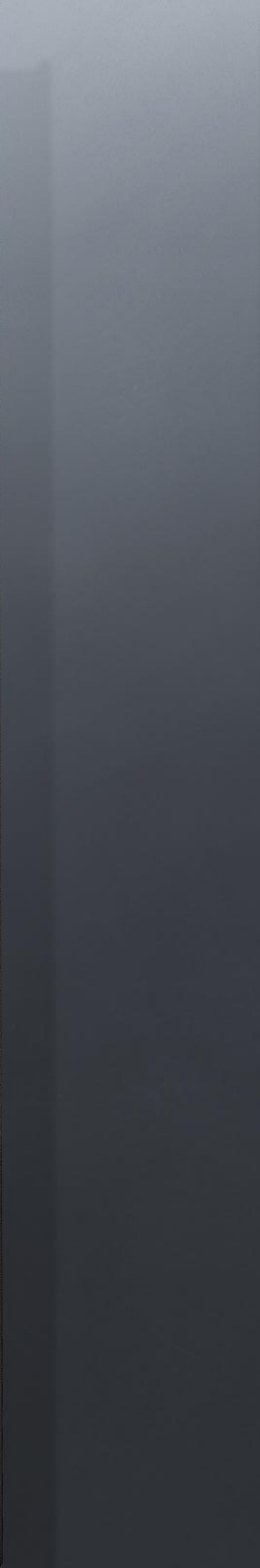


PRODUCT ID	CABINET	DIMENSIONS	FEATURES	CAPACITY
703533S	400mm	710x(900-1100)mm	Anti-slip rails	Up to 9 trousers



A Natural Series





B SERIES

Every clothing article and accessory has its dedicated storage — no more wasted time trying to find your favourite outfit at any time of day.

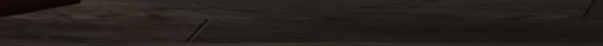
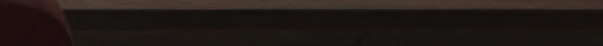
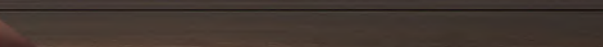
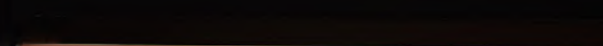
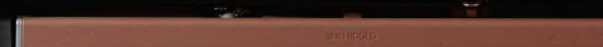
Available in two finish options: teal with satin champagne for a sophisticated look, and natural with grey for an elegant aesthetical appeal, Higold's B Series is a beautiful upgrade to traditional and cluttered closets.

- Vegan-Friendly PU Leather
- Teal or Natural Colour
- Flat Grain
- Satin Champagne or Grey Aluminium Edging













PATENT NOS.
ZL202030714465.X
ZL202030714559.7
ZL202120623138.2



PATENT NOS.
ZL202030714492.7
ZL202030714559.7
ZL202120623138.2

PULL OUT ACCESSORIES / JEWELLERY STORAGE BOX

*Ideal to store jewellery, watches, rings and small items
Sliding centre box with lid provides storage and display flexibility*



PRODUCT ID	FINISH	CABINET	DIMENSIONS	FEATURES
706041	Teal	600mm	564x475x50mm	Soft Close
706041S	Natural	600mm	564x475x50mm	Soft Close
706044	Teal	900mm	864x475x50mm	Soft Close
706044S	Natural	900mm	864x475x50mm	Soft Close

PULL OUT WARDROBE STORAGE TRAY - MULTIPLE SECTIONS

Ideal to store belts, rolled ties or scarves, small items and purse



PRODUCT ID	FINISH	CABINET	DIMENSIONS	FEATURES
706011	Teal	600mm	564x475x90mm	Soft Close
706011S	Natural	600mm	564x475x90mm	Soft Close
706014	Teal	900mm	864x475x90mm	Soft Close
706014S	Natural	900mm	864x475x90mm	Soft Close



Natural Series



Teal Series



PATENT NOS.
ZL202030714559.7
ZL202120623138.2



PATENT NOS.
ZL202030717074.3
ZL202030714559.7
ZL202120623138.2

PULL OUT WARDROBE STORAGE TRAY - ADJUSTABLE SECTIONS

A versatile pull out tray with two movable interior trays to customise your storage sections



PRODUCT ID	FINISH	CABINET	DIMENSIONS	FEATURES
706001	Teal	600mm	564x475x50mm	Soft Close
706001S	Natural	600mm	564x475x50mm	Soft Close
706004	Teal	900mm	864x475x50mm	Soft Close
706004S	Natural	900mm	864x475x50mm	Soft Close

PULL OUT TROUSER AND BELT RACK

*Organise your trouser and pant collection into a single convenient pull out
Rear sections for rolled belt, fragrance or small item storage*



PRODUCT ID	FINISH	CABINET	DIMENSIONS	FEATURES
706021	Teal	600mm	564x475x90mm	Soft Close
706021S	Natural	600mm	564x475x90mm	Soft Close
706024	Teal	900mm	864x475x90mm	Soft Close
706024S	Natural	900mm	864x475x90mm	Soft Close



Natural
Series



Teal
Series



PATENT NOS.
ZL202030714559.7
ZL202120623138.2



PATENT NOS.
ZL202030714559.7
ZL202120623138.2

PULL OUT WARDROBE BASKET - SHALLOW

Convenient storage for accessories, socks and smaller folded garment storage



PRODUCT ID	FINISH	CABINET	DIMENSIONS	FEATURES
706031	Teal	600mm	564x475x150mm	Soft Close
706031S	Natural	600mm	564x475x150mm	Soft Close
706034	Teal	900mm	864x475x150mm	Soft Close
706034S	Natural	900mm	864x475x150mm	Soft Close

PULL OUT WARDROBE BASKET - DEEP

Convenient storage for larger folded items and hand bags



PRODUCT ID	FINISH	CABINET	DIMENSIONS	FEATURES
706051	Teal	600mm	564x475x250mm	Soft Close
706051S	Natural	600mm	564x475x250mm	Soft Close
706054	Teal	900mm	864x475x250mm	Soft Close
706054S	Natural	900mm	864x475x250mm	Soft Close



Natural Series



Teal Series



PATENT NO.
ZL201930264242.5



PATENT NOS.
ZL201520394917.4
ZL201720248382.9
ZL202122547118.4
ZL201730032082.2

3-TIER SLIDE OUT WARDROBE STORAGE BASKETS - SIDE MOUNT

Ideal to store shoes, hand bags, hats or other preferred items.



PRODUCT ID	FINISH	CABINET	DIMENSIONS	FEATURES
703573	Teal	400mm	360x475x795mm	Soft Close (Left Mounting)
703574	Teal	400mm	360x475x795mm	Soft Close (Right Mounting)
703573S	Natural	400mm	360x475x795mm	Soft Close (Left Mounting)
703574S	Natural	400mm	360x475x795mm	Soft Close (Right Mounting)

LIFT UP AND DOWN CLOTHES HANGING RACK

*Overhead storage solution with convenient pull down arm
Hydraulic system offers the effortless movements*



PRODUCT ID	FINISH	CABINET	DIMENSIONS	FEATURES
703156	Teal	900-1100	(864-1064)x500x830mm	Width is extendable
703156S	Natural	900-1100mm	(864x1064)x500x830mm	Width is extendable



Natural Series



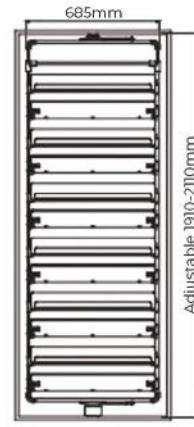
Teal Series



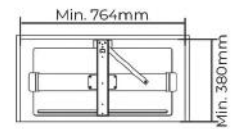
PATENT NOS.
ZL201930264676.5
ZL202122543108.3
ZL202220767539.X

ROTATING SHOE RACK - PREMIUM TRAY STYLE

The most popular shoe storage solution to display and easily access up to 36 pairs of shoes



FRONT VIEW Unit Dimensions



TOP VIEW Internal Cabinet Requirements

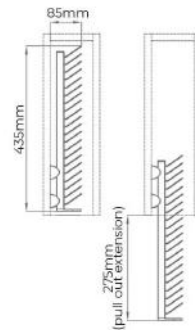
PRODUCT ID	FINISH	CABINET	DIMENSIONS	CAPACITY
703591	Teal	800mm	685x370x(1910-2110)mm	Up to 36 pairs of shoes
703591S	Natural	800mm	685x370x(1910-2110)mm	Up to 36 pairs of shoes

SLIDE OUT WARDROBE TIE RACK

Hangs up to 20 ties providing full visibility and accessibility
Can be installed on left or right side of cabinet



FRONT VIEW



TOP VIEW

PRODUCT ID	FINISH	DIMENSIONS	FEATURES
703541	Teal	85x435x95mm	Left or right side installation
703541S	Natural	85x435x95mm	Left or right side installation



Natural Series



Teal Series



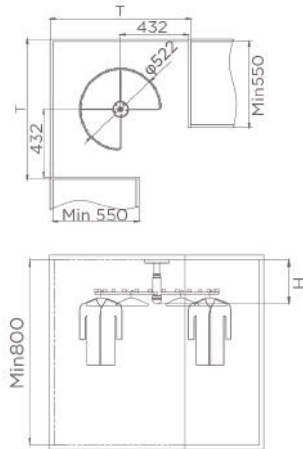
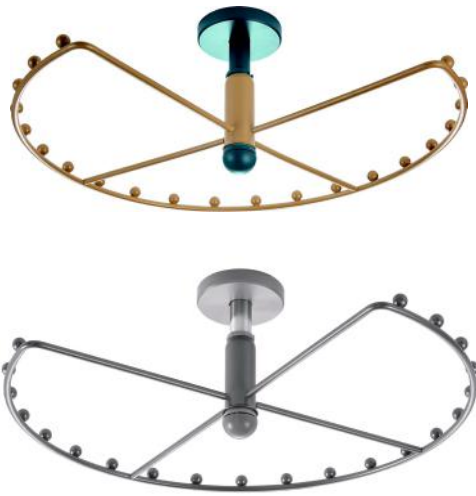




PATENT NO.
ZL201930264233.6

ROTATING CLOTHES RACK

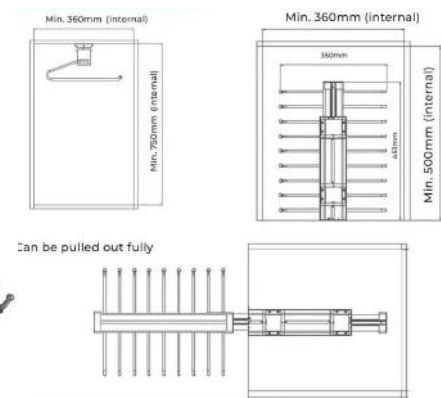
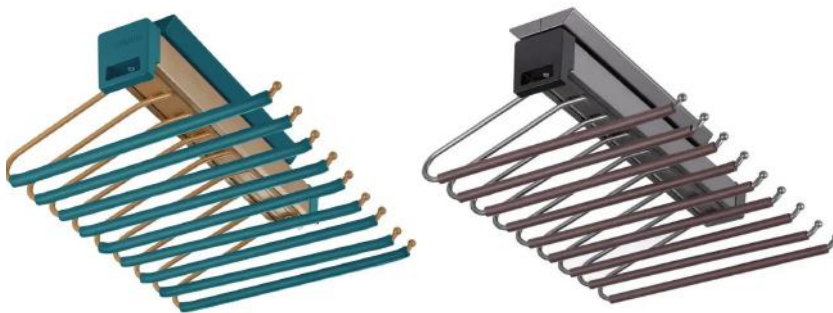
Innovative corner rotatable hanging solution for up to 20 hanging items



PRODUCT ID	FINISH	CABINET	DIMENSIONS	FEATURES
703501	Teal	≥900mm	530x195MM	Rotatable rack
703501S	Natural	≥900mm	522x188mm	Rotatable rack

TROUSERS HOLDER

*A convenient top mounted storage solution for up to 9 pairs of trousers
Fully extendable for complete access*



PRODUCT ID	FINISH	CABINET	DIMENSIONS	FEATURES
703502	Teal	400mm	350x475x170mm	Anti-slip rails
703502S	Natural	400mm	350x453x170mm	Anti-slip rails



Natural Series



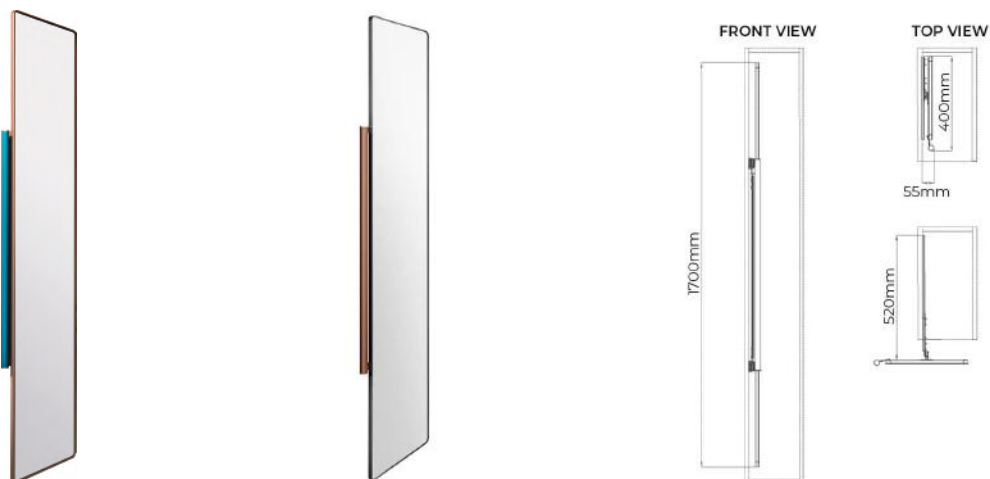
Teal Series



PATENT NO.
ZL202030715715.1

SLIDE OUT HIDE-AWAY REVOLVING MIRROR

A hide-away side-mounted mirror that pulls out and rotates to your required position



PRODUCT ID	FINISH	DIMENSIONS	FEATURES
706161	Teal	400x55x1700mm	1.7 meter in height, Side mount
706161S	Natural	400x55x1700mm	1.7 meter in height, Side mount

WARDROBE HANGING ROD/CLOTHES RAIL

Styled clothes hanging rod - can be cut to size and mounted with a pair of rod holders



PRODUCT ID	FINISH	DIMENSIONS	FEATURES
706191	Teal	3000x17x35mm	3 metres in length
706191S	Natural	3000x17x35mm	3 metres in length



Natural Series



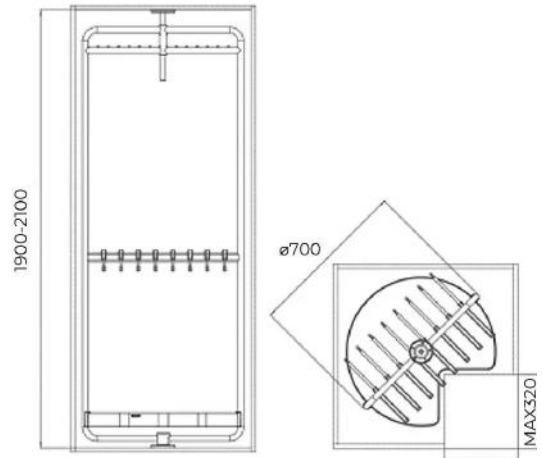
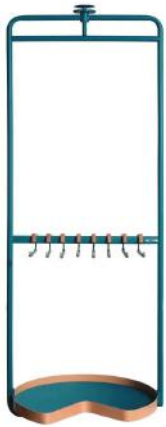
Teal Series



PATENT NO.
ZL202130362804.7
ZL202122547976.9

ROTATING MULTIFUNCTIONAL TROUSER RACK

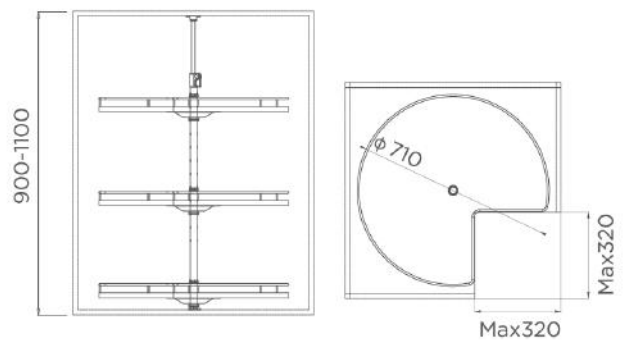
Rotatable corner clothes rack comes with three storage tiers where you can hang multiple clothing and accessories.



PRODUCT ID	FINISH	CABINET	DIMENSIONS	FEATURES
706202	Teal	≥ 800mm	700x(1900-2100)mm	3-tier + Rotatable
706202S	Natural	≥ 800mm	700x(1900-2100)mm	3-tier + Rotatable

TROUSERS HOLDER

A convenient top mounted storage solution for up to 9 pairs of trousers
Fully extendable for complete access



PRODUCT ID	CABINET	DIMENSIONS	FEATURES	CAPACITY
703533	400mm	710x(900-1100)mm	Anti-slip rails	Up to 9 trousers
703533S	400mm	710x(900-1100)mm	Anti-slip rails	Up to 9 trousers



Natural Series



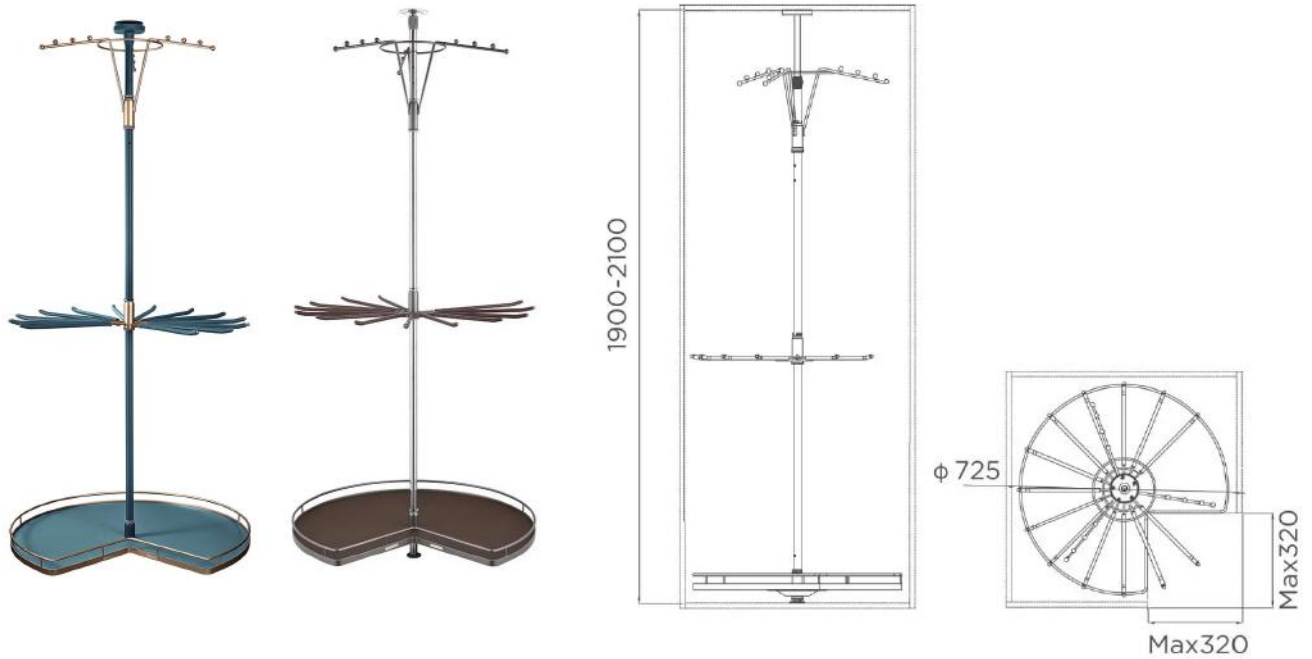
Teal Series



PATENT NO.
ZL201730454891.2

ROTATING MULTIFUNCTIONAL ROUND CLOTHES RACK

An innovative solution for that corner cabinet to hang garments, trousers/skirts, and place shoes/bags



PRODUCT ID	FINISH	CABINET	DIMENSIONS	FEATURES
703551	Teal	≥900mm	725x(1900-2100)mm	3-tier + Rotatable
703551S	Natural	≥900mm	725x(1900-2100)mm	3-tier + Rotatable



Natural Series



Teal Series





HIGOLD[®]

A U S T R A L I A

MELBOURNE SHOWROOM

- +61 (03) 8682 8585
- service@higoldhardware.com.au
- 49-51 Mills Road, Braeside, VIC 3195
- www.HigoldHardware.com.au

